

MP21491 -UN-11AUG99



**MP21491**

**M-GATOR**

1999 MODEL (SN W0M6X4D001001- )

*(SPECIFICATIONS AND DESIGN SUBJECT TO CHANGE WITHOUT NOTICE)*

## PRODUCT IDENTIFICATION AND SERIAL NUMBER PLATE

AN INDIVIDUAL PRODUCT IDENTIFICATION AND SERIAL NUMBER IS ASSIGNED TO EACH MACHINE. WHEN WRITING ABOUT OR FILLING OUT WARRANTY CLAIMS, USE ALL THE CHARACTERS SHOWN ON THE PLATE.

EXAMPLE: WOO4X2X001001

WO- FACTORY DESIGNATION (WELLAND WORKS)  
 O4X2- MODEL OR MACHINE DESIGNATION  
 4X2 GATOR UTILITY VEHICLE  
 X- CONFIGURATION CODE  
 010001- SERIAL NUMBER

## PRODUCT CONFIGURATION CODE

THE CONFIGURATION "ALPHA" CODE IDENTIFIES A VARIATION OF A PRODUCT. (EXAMPLE: A 116 LAWN TRACTOR MAY BE MANUFACTURED AS A HYDROSTATIC OR MANUAL UNIT, AND BE SHIPPED WITH A 970MM OR 1170MM MOWER. FOUR VARIATIONS OF THE 116 LAWN TRACTOR EXIST.)

IT ALSO IDENTIFIES DIFFERENT PRODUCTS WHICH HAVE THE SAME MODEL OR MACHINE DESIGNATION. (EXAMPLE: 216 TRACTOR AND 216 TILLER)

IF NO CONFIGURATION "ALPHA" CODE IS REQUIRED, SPACE IS FILLED IN WITH AN "X".

## SERIAL NUMBER LISTING INFORMATION

SERIAL NUMBER INFORMATION IS LISTED TO SHOW ON WHICH MACHINES EACH PART CAN BE USED; FOR EXAMPLE:

- THE PART CAN BE USED ON ALL MACHINES.
- 000000 - THE PART CAN BE USED ON ALL MACHINES BEGINNING WITH THE SERIAL NUMBER LISTED.
- 000000 THE PART CAN BE USED ON ALL MACHINES UP TO AND INCLUDING THE SERIAL NUMBER LISTED.
- 000000 -000000 THE PART CAN BE USED ON ALL MACHINES BETWEEN AND INCLUDING THE SERIAL NUMBERS LISTED.

WHEN XXXXXX'S ARE LISTED IN PLACE OF A SERIAL NUMBER, A SERIAL NUMBER CHANGE WAS MADE, BUT THE EXACT SERIAL NUMBER WAS NOT AVAILABLE WHEN THE CATALOG WAS PRODUCED.

## **BOX-ENCLOSED ILLUSTRATIONS**

A KEY NUMBER, SHOWN IN THE PARTS LIST, IS ASSIGNED TO A BOX ENCLOSING ALL PARTS SOLD AS A SERVICE ASSEMBLY.

## **BOLT AND CAP SCREW STRENGTH IDENTIFICATION**

BOLTS AND CAP SCREWS REQUIRED TO HAVE HIGH-STRENGTH QUALITIES EQUIVALENT TO SAE GRADE 8 ARE IDENTIFIED THROUGHOUT THIS CATALOG BY THE DESCRIPTION HS SAE 8 (10.9 FOR METRIC). ALL STANDARD BOLTS AND CAP SCREWS ARE SAE GRADE 5 (METRIC 8.8) OR LOWER.

## **WHOLE GOODS LISTINGS**

WHOLE GOODS ARE LISTED IN BOLD FACE TYPE. REFER TO LAWN AND GROUNDS CARE SALES MANUAL FOR WHOLE GOODS ORDERING INFORMATION. ORDER SEPARATELY. DO NOT INCLUDE ON REPLACEMENT PARTS ORDER.

## **DIRECTION ARROW**

ARROWS ARE USED WITH ILLUSTRATIONS TO INDICATE THE FRONT OF THE UNIT. "RIGHT-HAND" AND "LEFT-HAND" SIDES ARE DETERMINED BY FACING IN THE DIRECTION OF MACHINE FORWARD TRAVEL.

## **TO THE CUSTOMER**

THE PART NUMBERS IN THIS PARTS CATALOG WERE CORRECT AT THE TIME THIS CATALOG WAS PUBLISHED. IT IS OUR POLICY TO CONSTANTLY IMPROVE OUR MACHINES. THEREFORE, PART NUMBERS MAY CHANGE WHEN ORDERING PARTS. VERIFY PART NUMBERS THROUGH YOUR DEALER.

---

**SECTION INDEX**

GENERAL INFORMATION AND ALPHABETICAL INDEX ..... 10

ENGINE ..... 20

FUEL AND AIR ..... 30

ELECTRICAL ..... 40

POWER TRAIN ..... 50

STEERING AND BRAKES ..... 60

WHEELS, FRAME AND OPERATORS STATION ..... 70

OPTIONAL EQUIPMENT ..... 80

NUMERICAL INDEX ..... 95

## ALPHABETICAL INDEX

| GRID |   | PAGE  | GRID |   | PAGE  |
|------|---|-------|------|---|-------|
|      | <b>A</b>                                |       |      | CHASSIS.....                            | 70-1  |
|      | A-ARM, FRONT SUSPENSION .....           | 60-4  |      | CHOKE CABLE .....                       | 30-2  |
|      | ACCELERATOR PEDAL .....                 | 30-2  |      | CLAMP, FUEL LINE .....                  | 30-8  |
|      | ACTUATOR, BRAKE .....                   | 60-10 |      | CLAMP, RADIATOR HOSE .....              | 20-20 |
|      | AIR FILTER.....                         | 30-12 |      | CLUTCH DRIVE, ENGINE .....              | 50-2  |
|      | AIR RESTRICTION INDICATOR .....         | 30-12 |      | CLUTCH DRIVE, TRANSAXLE .....           | 50-3  |
|      | ALTERNATOR .....                        | 40-8  |      | CONNECTING ROD.....                     | 20-16 |
|      | ARM, ROCKER.....                        | 20-6  |      | CONTROL, SHIFT .....                    | 50-14 |
|      | ARM, SHIFT, INSIDE TRANSAXLE .....      | 50-9  |      | CONTROLLER, FUEL, GOVERNOR.....         | 30-4  |
|      | ARMATURE, STARTER .....                 | 40-6  |      | CONVERTER, TORQUE .....                 | 50-2  |
|      | AXLE SHAFT, TRANSAXLE .....             | 50-10 |      | COUPLER, REAR AXLE .....                | 50-18 |
|      | AXLE, FRONT .....                       | 60-4  |      | COVER, CYLINDER HEAD .....              | 20-7  |
|      | AXLE, REAR.....                         | 50-18 |      | COVER, FLYWHEEL .....                   | 20-10 |
|      | AXLE, TRANSAXLE .....                   | 50-10 |      | COVER, GEARCASE .....                   | 20-12 |
|      |   |       |      | COVER, STARTER/BATTERY CONNECTION ..... | 40-6  |
|      | <b>B</b>                                |       |      | COVER, UNDER SEAT .....                 | 70-4  |
|      | BASE, SEAT .....                        | 70-4  |      | CRANKSHAFT .....                        | 20-10 |
|      | BATTERY .....                           | 40-10 |      | CYLINDER BLOCK AND DIPSTICK .....       | 20-2  |
|      | BATTERY CABLES .....                    | 40-10 |      | CYLINDER HEAD AND GASKET .....          | 20-4  |
|      | BEARING, FRONT WHEEL .....              | 60-4  |      |   |       |
|      | BEARING, REAR AXLE .....                | 50-18 |      | <b>D</b>                                |       |
|      | BEARING, TRANSAXLE INPUT SHAFT.....     | 50-6  |      | DASH PANEL .....                        | 70-9  |
|      | BEARING, TRANSAXLE REDUCTION SHAFT..... | 50-8  |      | DIFFERENTIAL GEAR AND AXLE SHAFT .....  | 50-10 |
|      | BEARINGS, MAIN.....                     | 20-2  |      | DIFFERENTIAL LOCK .....                 | 50-10 |
|      | BELT GUARD .....                        | 70-8  |      | DIFFERENTIAL LOCK LINKAGE.....          | 50-16 |
|      | BELT, DRIVE .....                       | 50-3  |      | DIFFERENTIAL LOCK SHAFT .....           | 50-12 |
|      | BELT, WATER PUMP .....                  | 20-22 |      | DIFFERENTIAL LOCK SWITCH .....          | 40-2  |
|      | BLACK-OUT LIGHT KIT.....                | 80-6  |      | DIPSTICK, ENGINE OIL .....              | 20-2  |
|      | BLOCK, CYLINDER .....                   | 20-2  |      | DIPSTICK, TRANSAXLE .....               | 50-4  |
|      | BOLT, REAR WHEEL .....                  | 50-18 |      | DRAIN VALVE, ENGINE OIL.....            | 20-2  |
|      | BOX, CARGO .....                        | 70-6  |      | DRIVE BELT.....                         | 50-3  |
|      | BOX, GLOVE .....                        | 70-9  |      | DRIVE CLUTCH, ENGINE .....              | 50-2  |
|      | BRACKET, THROTTLE CABLE .....           | 30-4  |      | DRIVE CLUTCH, TRANSAXLE .....           | 50-3  |
|      | BRACKETS, ENGINE MOUNTING .....         | 70-10 |      |   |       |
|      | BRAKE ASSEMBLY IN TRANSAXLE .....       | 60-10 |      | <b>E</b>                                |       |
|      | BRAKE PEDAL.....                        | 60-6  |      | ELEMENT, AIR FILTER .....               | 30-12 |
|      | BRAKE ROD.....                          | 60-6  |      | ENGINE MOUNTING BRACKETS.....           | 70-10 |
|      | BRAKE SWITCH STRIKER .....              | 60-6  |      | ENGINE OIL DIPSTICK .....               | 20-2  |
|      | BRAKE, PARK .....                       | 60-8  |      | ENGINE, COMPLETE .....                  | 20-2  |
|      | BREATHER PIPE, CRANKCASE .....          | 20-7  |      | EXHAUST AND INTAKE MANIFOLDS .....      | 30-13 |
|      | BRUSHES, STARTER .....                  | 40-6  |      | EXHAUST PIPE AND MUFFLER .....          | 30-13 |
|      | BRUSHGUARD, FRONT .....                 | 70-11 |      | EXHAUST VALVES .....                    | 20-4  |
|      | BULB, HEADLIGHT .....                   | 40-4  |      | EXTENSIONS, CARGO BOX.....              | 70-3  |
|      | BUMPER, FRONT .....                     | 70-11 |      |   |       |
|      |   |       |      | <b>F</b>                                |       |
|      | <b>C</b>                                |       |      | FAN, RADIATOR .....                     | 20-20 |
|      | CABLE, BRAKE .....                      | 60-6  |      | FENDERS, FRONT .....                    | 70-2  |
|      | CABLE, DIFFLOCK .....                   | 50-16 |      | FENDERS, REAR.....                      | 70-3  |
|      | CABLE, THROTTLE OR CHOKE .....          | 30-2  |      | FILLER CAP, TRANSAXLE .....             | 50-4  |
|      | CABLES, BATTERY .....                   | 40-10 |      | FILTER, AIR .....                       | 30-12 |
|      | CAMSHAFT.....                           | 20-14 |      | FILTER, ENGINE OIL.....                 | 20-18 |
|      | CAMSHAFT FLANGE.....                    | 20-2  |      | FILTER, FUEL .....                      | 30-7  |
|      | CAMSHAFT, FUEL INJECTION PUMP.....      | 20-14 |      | FLANGE, CAMSHAFT .....                  | 20-2  |
|      | CAP, FUEL .....                         | 30-6  |      | FLANGE, MOUNTING .....                  | 20-10 |
|      | CAP, OIL FILL .....                     | 20-12 |      | FLYWHEEL AND COVER .....                | 20-10 |
|      | CAP, RADIATOR .....                     | 20-20 |      | FORK, DIFFERENTIAL LOCK .....           | 50-12 |
|      | CAP, TRANSAXLE FILLER .....             | 50-4  |      | FRAME, MAIN .....                       | 70-1  |
|      | CARGO BOX .....                         | 70-6  |      | FRONT BUMPER AND BRUSHGUARD .....       | 70-11 |
|      | CARGO BOX EXTENSIONS .....              | 70-3  |      | FRONT LITTER CARRIER.....               | 80-2  |
|      | CASE, TRANSAXLE .....                   | 50-4  |      | FRONT RECEIVER HITCH .....              | 80-8  |
|      | CHAIN, DRIVE .....                      | 50-18 |      | FUEL CONTROLLER, GOVERNOR .....         | 30-4  |
|      | CHAIN, TRANSAXLE REDUCTION.....         | 50-8  |      |   |       |

## ALPHABETICAL INDEX - CONTINUED

| GRID                                      | PAGE  | GRID                                       | PAGE  |
|---|-------|--|-------|
| FUEL FILTER .....                         | 30-7  |  |       |
| FUEL GAUGE AND CAP .....                  | 30-6  |  |       |
| FUEL INJECTOR PUMP, NOZZLE AND LINES..... | 30-10 |  |       |
| FUEL LINES .....                          | 30-8  |  |       |
| FUEL TANK .....                           | 30-6  |  |       |
| <b>G</b>                                  |       |  |       |
| GAS PEDAL .....                           | 30-2  |  |       |
| GASKET KIT, CYLINDER BLOCK.....           | 20-8  |  |       |
| GASKET KIT, CYLINDER HEAD.....            | 20-8  |  |       |
| GASKET, CYLINDER HEAD .....               | 20-4  |  |       |
| GASKET, CYLINDER HEAD COVER .....         | 20-7  |  |       |
| GASKET, INTAKE AND EXHAUST MANIFOLDS..... | 30-13 |  |       |
| GAUGE, FUEL .....                         | 30-6  |  |       |
| GEAR, CAMSHAFT .....                      | 20-14 |  |       |
| GEAR, DIFFERENTIAL .....                  | 50-10 |  |       |
| GEAR, FLYWHEEL .....                      | 20-10 |  |       |
| GEAR, FUEL INJECTION PUMP .....           | 20-14 |  |       |
| GEAR, IDLE .....                          | 20-14 |  |       |
| GEAR, TRANSAXLE INPUT SHAFT .....         | 50-6  |  |       |
| GEAR, TRANSAXLE REDUCTION .....           | 50-8  |  |       |
| GEARCASE .....                            | 20-12 |  |       |
| GENERATOR .....                           | 40-8  |  |       |
| GLOVE BOX .....                           | 70-9  |  |       |
| GLOW PLUG .....                           | 20-4  |  |       |
| GLOW PLUG MODULE .....                    | 40-2  |  |       |
| GOVERNOR .....                            | 30-4  |  |       |
| GRIP, PARK BRAKE .....                    | 60-8  |  |       |
| GUARD, BELT .....                         | 70-8  |  |       |
| <b>H</b>                                  |       |  |       |
| HANDLE, DIFFLOCK .....                    | 50-16 |  |       |
| HANDLE, PARK BRAKE .....                  | 60-8  |  |       |
| HANDLE, SHIFT .....                       | 50-14 |  |       |
| HARNES, ALTERNATOR-STARTER .....          | 40-8  |  |       |
| HARNES, MAIN WIRING.....                  | 40-2  |  |       |
| HEAD, CYLINDER .....                      | 20-4  |  |       |
| HEADLIGHT .....                           | 40-4  |  |       |
| HINGE, SEAT MOUNTING .....                | 70-4  |  |       |
| HITCH, FRONT RECEIVER.....                | 80-8  |  |       |
| HITCH, PINTLE.....                        | 70-14 |  |       |
| HOOD .....                                | 70-2  |  |       |
| HOSE, RADIATOR .....                      | 20-20 |  |       |
| HOURLMETER KIT .....                      | 40-12 |  |       |
| HOUSING, REAR AXLE.....                   | 50-18 |  |       |
| HOUSING, TRANSAXLE .....                  | 50-4  |  |       |
| HUB CAP, FRONT WHEEL .....                | 60-4  |  |       |
| <b>I</b>                                  |       |  |       |
| IDLE GEAR.....                            | 20-14 |  |       |
| IGNITION SWITCH.....                      | 40-2  |  |       |
| INJECTOR, FUEL .....                      | 30-10 |  |       |
| INPUT SHAFT, TRANSAXLE.....               | 50-6  |  |       |
| INSTRUMENT PANEL .....                    | 70-9  |  |       |
| INTAKE MANIFOLD .....                     | 30-13 |  |       |
| INTAKE VALVES .....                       | 20-4  |  |       |
| ISOLATOR, ENGINE MOUNTING.....            | 70-10 |  |       |
| <b>K</b>                                  |       |  |       |
|   |       | KINGPIN, FRONT AXLE .....                  | 60-4  |
|   |       | KIT, BLACK-OUT LIGHT .....                 | 80-6  |
|   |       | KIT, GASKET, CYLINDER BLOCK .....          | 20-8  |
|   |       | KIT, GASKET, CYLINDER HEAD .....           | 20-8  |
|   |       | KIT, HEAVY DUTY SUSPENSION .....           | 60-4  |
|   |       | KIT, HOURMETER .....                       | 40-12 |
|   |       | KNOB, DIFFLOCK .....                       | 50-16 |
|   |       | KNOB, SHIFT LEVER .....                    | 50-14 |
| <b>L</b>                                  |       |  |       |
|   |       | LABELS.....                                | 70-12 |
|   |       | LAMP, HEAD .....                           | 40-4  |
|   |       | LATCH, TAILGATE.....                       | 70-6  |
|   |       | LEVER, DIFFLOCK .....                      | 50-16 |
|   |       | LEVER, GOVERNOR .....                      | 30-4  |
|   |       | LEVER, PARK BRAKE.....                     | 60-8  |
|   |       | LEVER, SHIFT .....                         | 50-14 |
|   |       | LIGHT, HEAD .....                          | 40-4  |
|   |       | LINE, FUEL.....                            | 30-8  |
|   |       | LINES, FUEL INJECTOR .....                 | 30-10 |
|   |       | LININGS, BRAKE ASSEMBLY IN TRANSAXLE ..... | 60-10 |
|   |       | LINK, GOVERNOR.....                        | 30-4  |
|   |       | LINKAGE, DIFFLOCK.....                     | 50-16 |
|   |       | LINKAGE, PARK BRAKE .....                  | 60-8  |
|   |       | LINKAGE, SHIFT .....                       | 50-14 |
|   |       | LITTER CARRIER, FRONT .....                | 80-2  |
|   |       | LOCK LINKAGE, DIFFERENTIAL .....           | 50-16 |
|   |       | LOCK, CARGO BOX LATCH.....                 | 70-4  |
|   |       | LOCK, DIFFERENTIAL.....                    | 50-10 |
|   |       | LOCK, DIFFERENTIAL.....                    | 50-12 |
| <b>M</b>                                  |       |  |       |
|   |       | MAIN FRAME .....                           | 70-1  |
|   |       | MANIFOLD, INTAKE AND EXHAUST .....         | 30-13 |
|   |       | MODULATOR, VACUUM .....                    | 30-12 |
|   |       | MODULE, GLOW PLUG .....                    | 40-2  |
|   |       | MOUNTING FLANGE .....                      | 20-10 |
|   |       | MOUNTS, ENGINE.....                        | 70-10 |
|   |       | MUD FLAPS .....                            | 70-3  |
|   |       | MUFFLER AND EXHAUST PIPE .....             | 30-13 |
| <b>N</b>                                  |       |  |       |
|   |       | NEUTRAL START SWITCH, TRANSAXLE .....      | 50-9  |
|   |       | NOZZLE, FUEL INJECTOR .....                | 30-10 |
| <b>O</b>                                  |       |  |       |
|   |       | OIL FILTER.....                            | 20-18 |
|   |       | OIL PAN .....                              | 20-17 |
|   |       | OIL PRESSURE SWITCH, ENGINE .....          | 20-2  |
|   |       | OIL PUMP.....                              | 20-18 |
|   |       | OIL SEAL, GEARCASE COVER .....             | 20-12 |
|   |       | OIL SUMP.....                              | 20-17 |
| <b>P</b>                                  |       |  |       |
|   |       | PAN, OIL.....                              | 20-17 |



ALPHABETICAL INDEX - CONTINUED

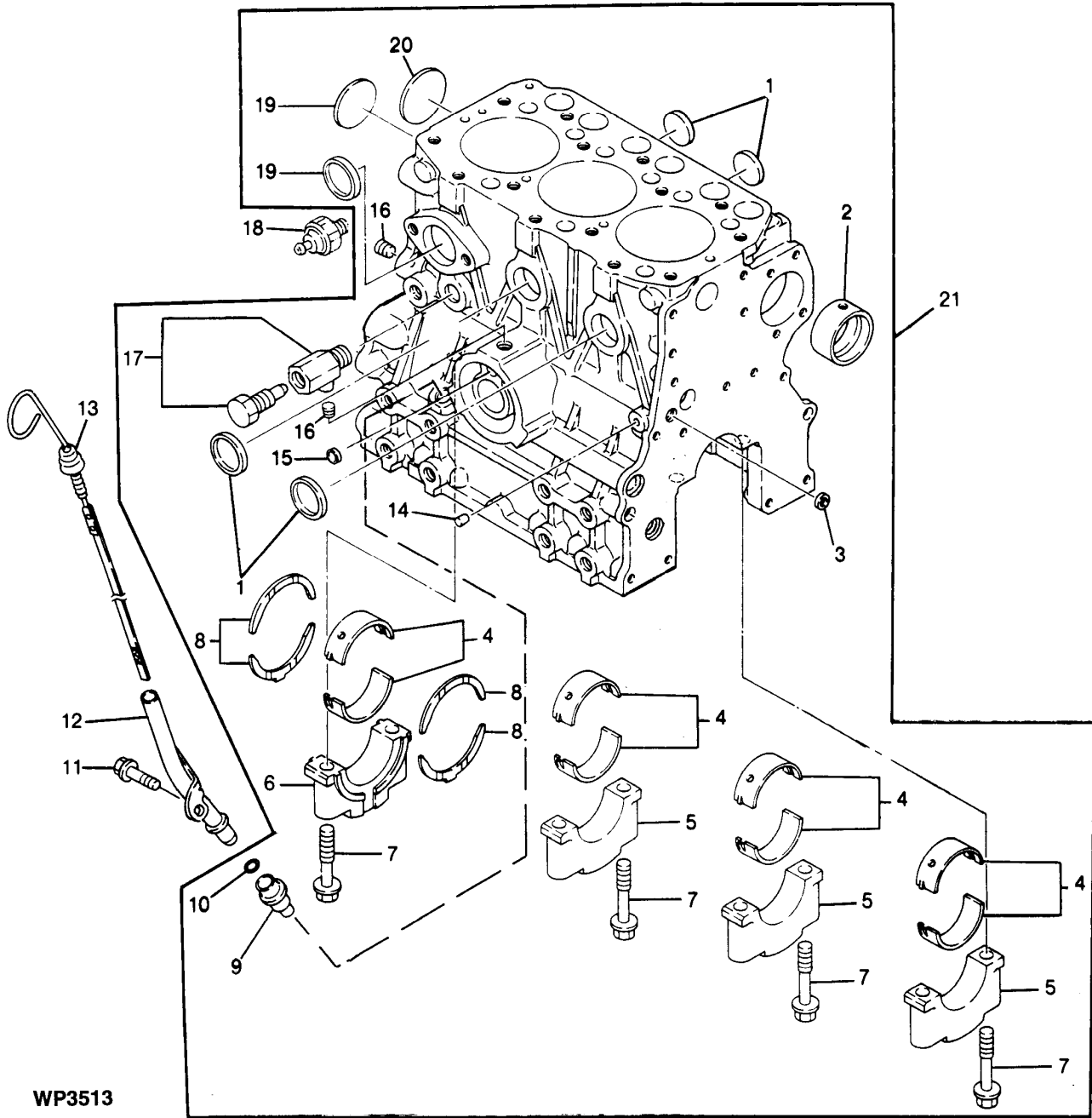
| <i>GRID</i>                      | <i>PAGE</i> | <i>GRID</i> | <i>PAGE</i> |
|----------------------------------|-------------|-------------|-------------|
| WHEELS AND TIRES, RUN-FLAT ..... | 80-4        |             |             |
| WIRING HARNESS .....             | 40-2        |             |             |
| WIRING HARNESS, HEADLIGHTS.....  | 40-4        |             |             |



---

MEMORANDA

CYLINDER BLOCK AND DIPSTICK

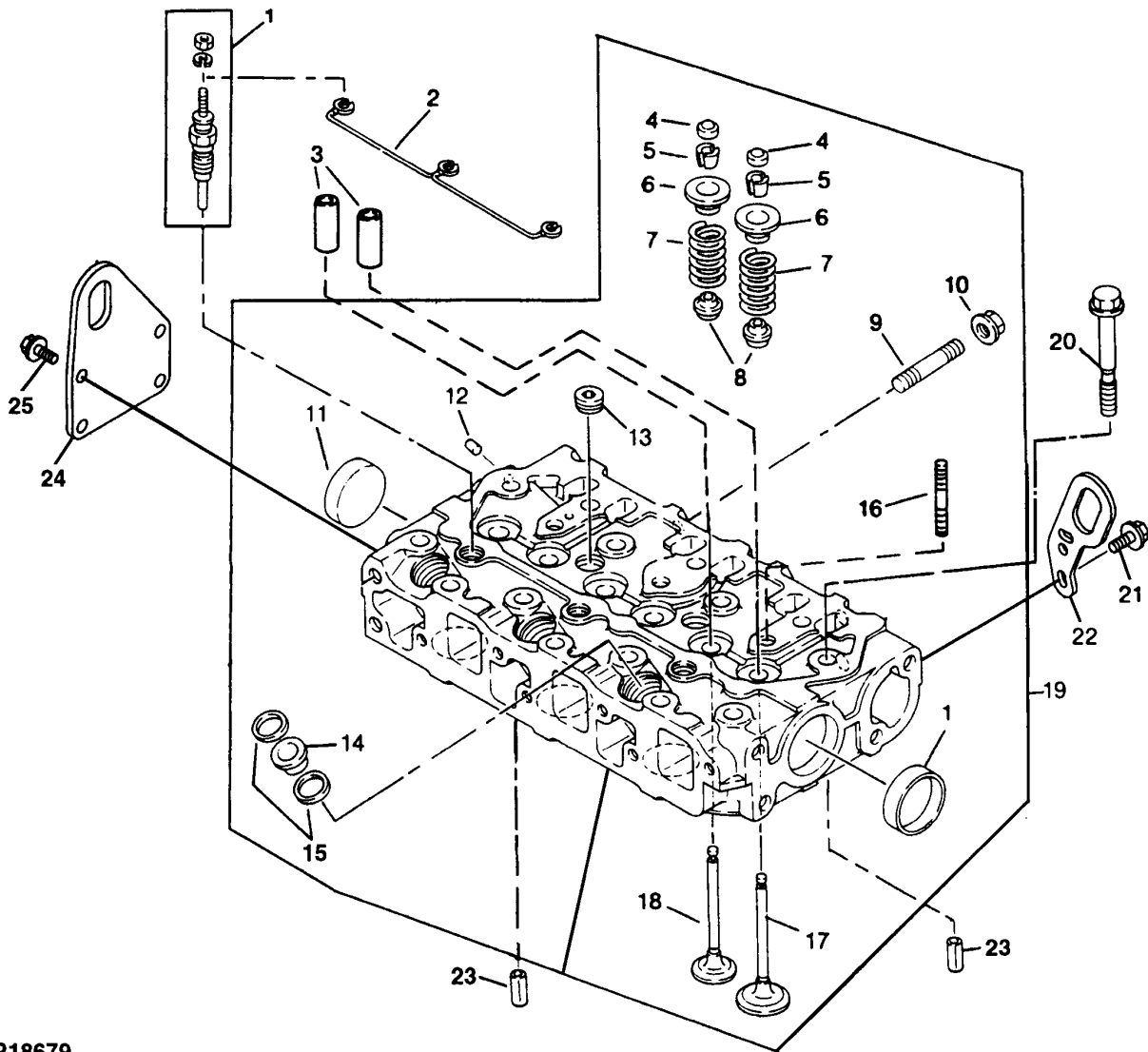


WP3513

## ENGINE

| KEY | PART NO. | PART NAME            | QTY | ENGINE<br>SERIAL NO. | REMARKS                   |
|-----|----------|----------------------|-----|----------------------|---------------------------|
| 1   | CH17101  | PLUG                 | 4   |                      |                           |
| 2   | M800013  | BUSHING              | 1   |                      |                           |
| 3   | M800002  | PLUG                 | 2   |                      |                           |
| 4   | AM875059 | BEARING KIT          | 4   |                      | STANDARD                  |
|     | AM875026 | BEARING KIT          | 4   |                      | .25MM (.010") OS          |
| 5   | .....    | CAP                  | 3   |                      |                           |
| 6   | .....    | CAP                  | 1   |                      |                           |
| 7   | M800012  | BOLT                 | 8   |                      |                           |
| 8   | AM875060 | BEARING KIT          | 2   |                      |                           |
| 9   | M89143   | GUIDE                | 1   |                      |                           |
| 10  | CH10571  | PACKING              | 1   |                      |                           |
| 11  | 19M7300  | CAP SCREW            | 1   |                      | M6 X 10                   |
| 12  | M800045  | GUIDE                | 1   |                      |                           |
| 13  | M800420  | DIPSTICK             | 1   |                      |                           |
| 14  | CH15478  | PLUG                 | 1   |                      |                           |
| 15  | M800002  | PLUG                 | 2   |                      |                           |
| 16  | CH10314  | PLUG                 | 2   |                      |                           |
| 17  | AM100800 | DRAIN VALVE          | 1   |                      |                           |
| 18  | CH15500  | SWITCH               | 1   |                      | OIL PRESSURE              |
| 19  | CH10642  | PLUG                 | 1   |                      |                           |
| 20  | CH10640  | PLUG                 | 1   |                      |                           |
| 21  | AM875018 | CYLINDER BLOCK       | 1   |                      | (INCLUDES M89139, M89140) |
| ..  | AM119962 | ENGINE               | 1   |                      | COMPLETE (3TN66C-JUV)     |
| ..  | AM878935 | SHORT BLOCK ASSEMBLY | 1   |                      | (3TN66C-JUV)              |

CYLINDER HEAD



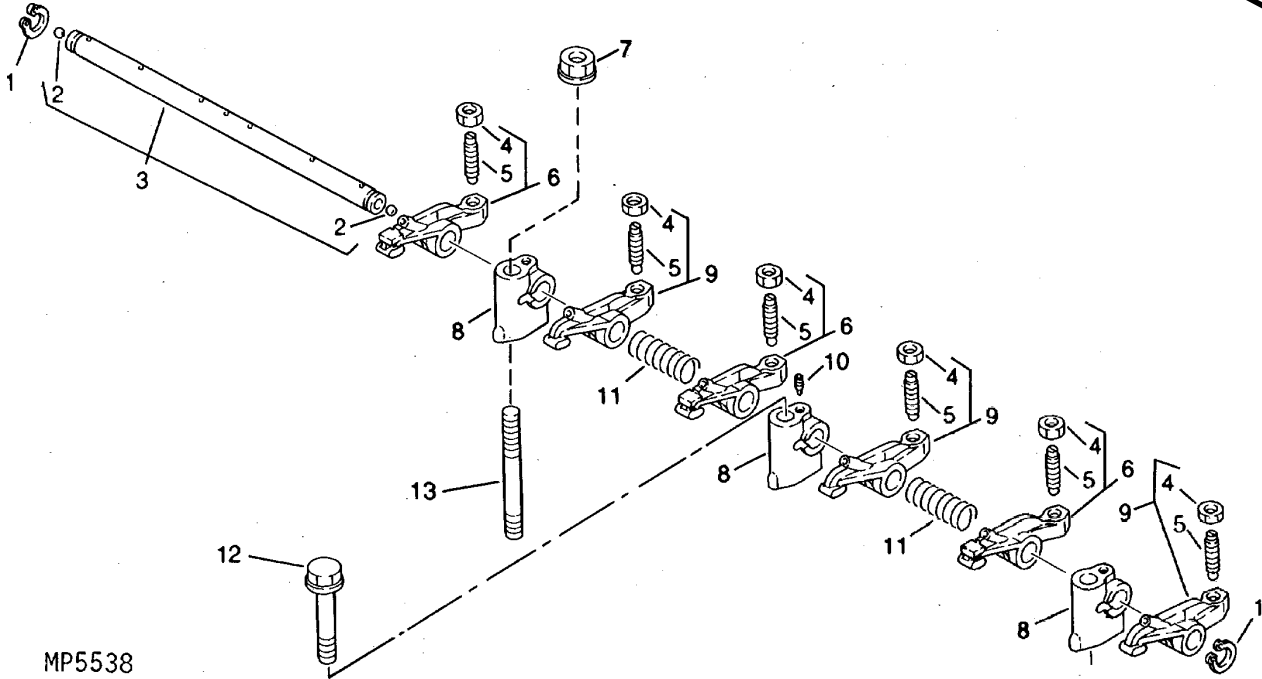
MP18679

## ENGINE

| KEY | PART NO. | PART NAME     | QTY | SERIAL NO. | REMARKS    |
|-----|----------|---------------|-----|------------|------------|
| 1   | M87919   | GLOW PLUG     | 3   |            |            |
| 2   | M87920   | CONNECTOR     | 1   |            |            |
| 3   | M800067  | GUIDE         | 6   |            |            |
| 4   | M800023  | CAP           | 6   |            |            |
| 5   | AM878864 | KIT           | 3   |            |            |
| 6   | M800020  | HOLDER        | 6   |            |            |
| 7   | M800019  | SPRING        | 6   |            |            |
| 8   | M800022  | SEAL          | 6   |            |            |
| 9   | M800034  | STUD          | 2   |            |            |
| 10  | 14M7303  | FLANGE NUT    | 2   |            |            |
| 11  | CH17438  | PLUG          | 2   |            |            |
| 12  | M87831   | PLUG          | 1   |            |            |
| 13  | CH15002  | PLUG          | 2   |            |            |
| 14  | M89134   | PACKING       | 3   |            |            |
| 15  | M89135   | GASKET        | 3   |            |            |
| 16  | M87836   | STUD          | 2   |            |            |
| 17  | M800017  | INTAKE VALVE  | 3   |            |            |
| 18  | M800018  | EXHAUST VALVE | 3   |            |            |
| 19  | AM875030 | CYLINDER HEAD | 1   |            |            |
| 20  | M800003  | BOLT          | 14  |            |            |
| 21  | CH19780  | BOLT          | 1   |            |            |
| 22  | M800066  | BRACKET       | 1   |            |            |
| 23  | CH18079  | SPRING PIN    | 2   |            |            |
| 24  | M806897  | BRACKET       | 1   |            | FRONT LIFT |
| 25  | 19M7774  | SCREW         | 4   |            |            |

MP5538 -UN-01JAN94

ROCKER ARMS

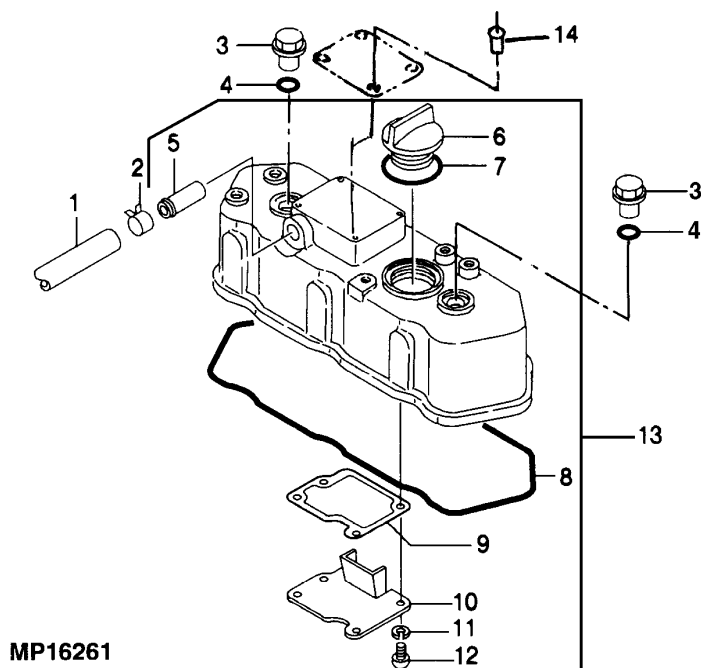


MP5538

| KEY | PART NO. | PART NAME          | QTY | SERIAL NO. | REMARKS    |
|-----|----------|--------------------|-----|------------|------------|
| 1   | CH17950  | RING               | 1   |            |            |
| 2   | R63075   | BALL               | 2   |            |            |
| 3   | AM875002 | ROCKER ARM SHAFT   | 1   |            |            |
| 4   | 14M7194  | NUT                | 6   | M6         |            |
| 5   | M87841   | SCREW              | 6   |            |            |
| 6   | AM875029 | ROCKER ARM         | 3   |            | EXHAUST    |
| 7   | 14M7298  | FLANGE NUT         | 2   | M8         |            |
| 8   | M800024  | SUPPORT            | 3   |            | ROCKER ARM |
| 9   | AM875028 | ROCKER ARM         | 3   |            | INTAKE     |
| 10  | M800069  | SELF-LOCKING SCREW | 1   |            |            |
| 11  | M800025  | SPRING             | 2   |            |            |
| 12  | CH19101  | BOLT               | 1   |            |            |
| 13  | M87836   | STUD               | 2   |            |            |

## CYLINDER HEAD COVER AND GASKETS

MP16261 -UN-03SEP96

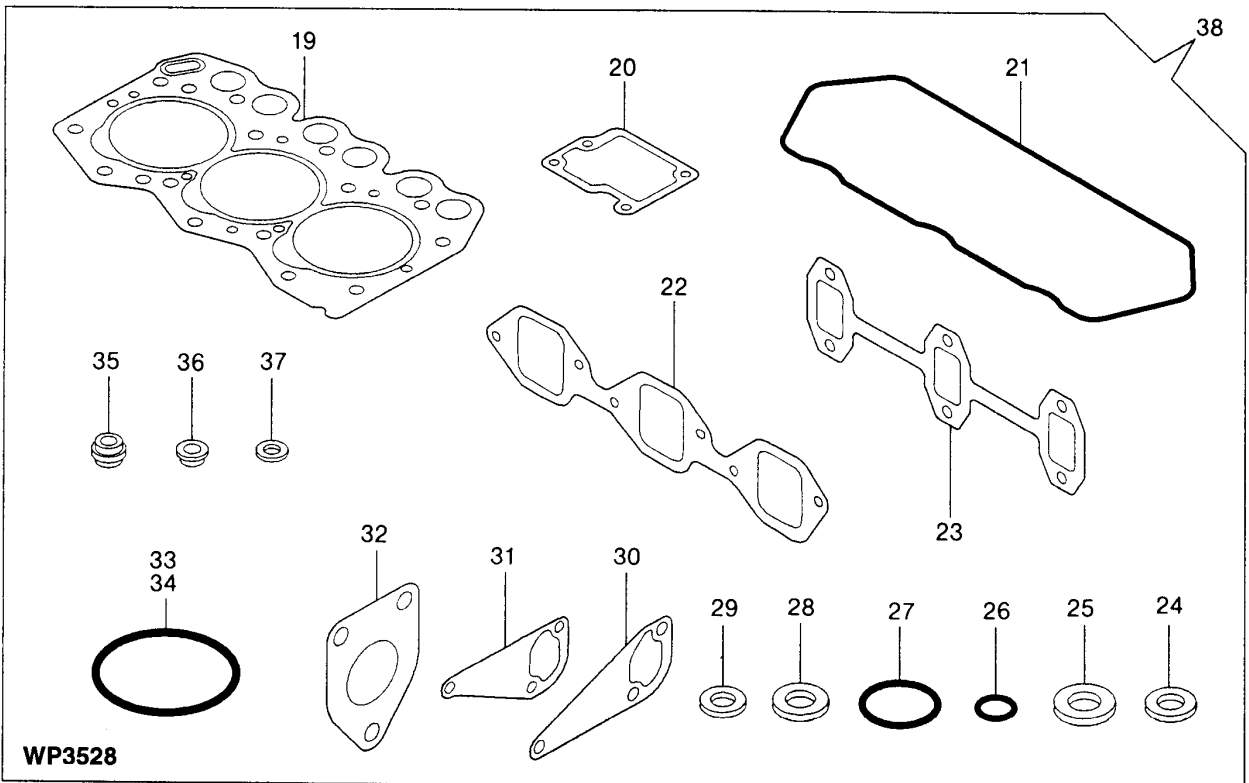
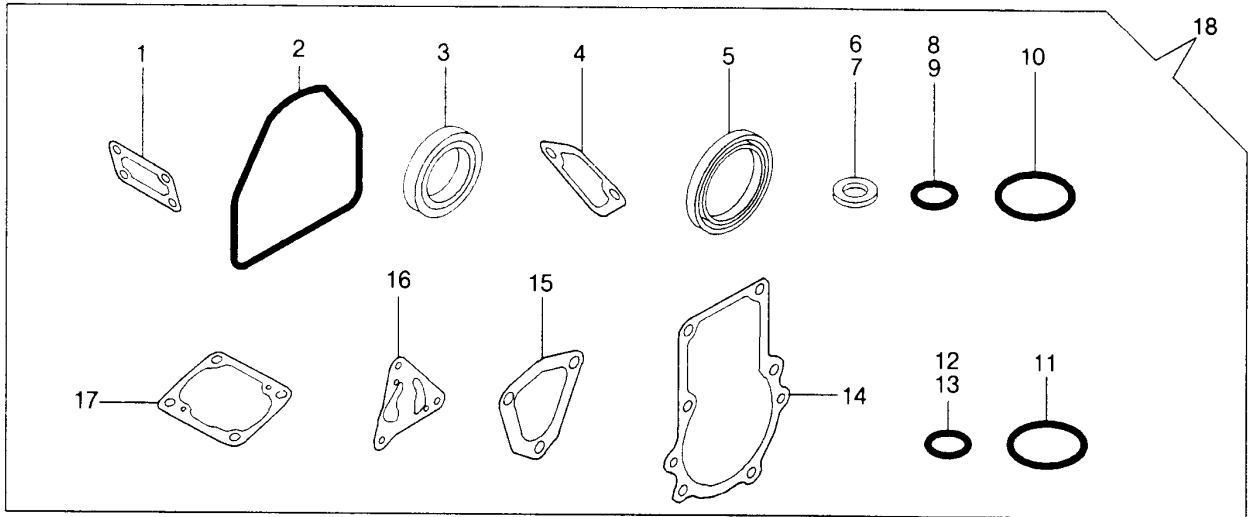


| KEY | PART NO. | PART NAME   | QTY | SERIAL NO. | REMARKS            |
|-----|----------|-------------|-----|------------|--------------------|
| 1   | CH15409  | PIPE        | 1   |            | CRANKCASE BREATHER |
| 2   | M806791  | CLAMP       | 1   |            |                    |
| 3   | CH10348  | NUT         | 2   |            |                    |
| 4   | CH10568  | PACKING     | 2   |            |                    |
| 5   | M87840   | FITTING     | 1   |            |                    |
| 6   | M805710  | CAP         | 1   |            |                    |
| 7   | M805711  | PACKING     | 1   |            |                    |
| 8   | M802059  | GASKET      | 1   |            |                    |
| 9   | M805818  | GASKET      | 1   |            |                    |
| 10  | M800014  | DEFLECTOR   | 1   |            |                    |
| 11  | 12M7064  | LOCK WASHER | 4   | 5.100 MM   |                    |
| 12  | M87839   | SCREW       | 4   |            |                    |
| 13  | AM875027 | VALVE COVER | 1   |            |                    |
| 14  | CH10061  | RIVET       | 4   |            |                    |

WP3528

-UN-15JAN96

ENGINE GASKET KITS



WP3528



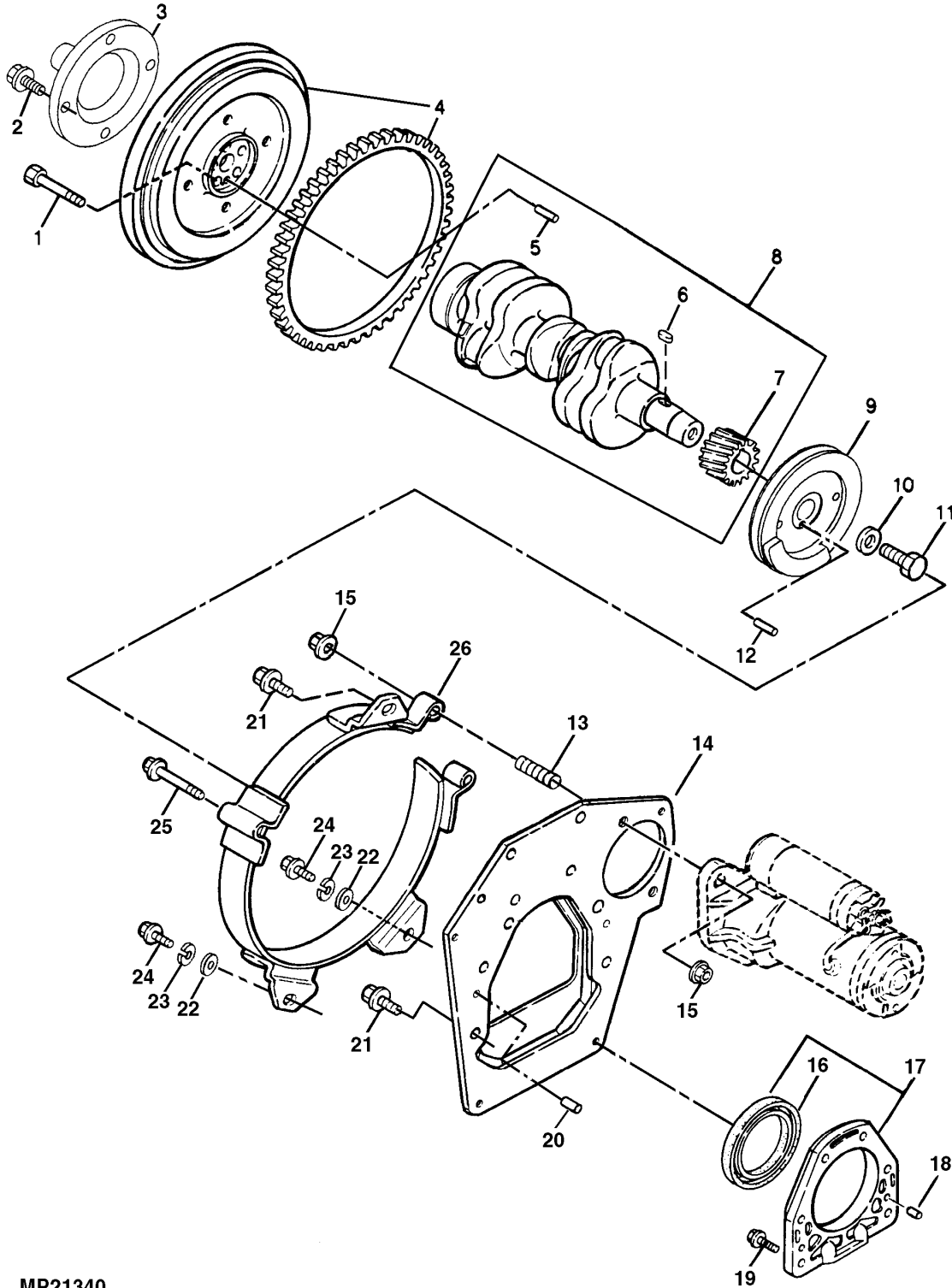
## ENGINE

| KEY | PART NO. | PART NAME                   | QTY | SERIAL NO. | REMARKS                    |
|-----|----------|-----------------------------|-----|------------|----------------------------|
| 1   | M805695  | GASKET                      | 1   |            |                            |
| 2   | M87849   | SEAL                        | 1   |            |                            |
| 3   | M87821   | SEAL                        | 1   |            |                            |
| 4   | M805703  | GASKET                      | 1   |            |                            |
| 5   | M806894  | SEAL                        | 1   |            |                            |
| 6   | CH10644  | WASHER                      | 2   |            |                            |
| 7   | M806438  | WASHER                      | 1   |            |                            |
| 8   | M801785  | O-RING                      | 1   |            |                            |
| 9   | M89151   | O-RING                      | 1   |            |                            |
| 10  | M805711  | PACKING                     | 1   |            |                            |
| 11  | CH13526  | PACKING                     | 1   |            |                            |
| 12  | CH10568  | PACKING                     | 2   |            |                            |
| 13  | CH10571  | PACKING                     | 1   |            |                            |
| 14  | M805704  | GASKET                      | 1   |            |                            |
| 15  | M805705  | GASKET                      | 1   |            |                            |
| 16  | M89142   | GASKET                      | 1   |            |                            |
| 17  | AM878882 | KIT                         | 1   |            | FUEL INJECTION PUMP GASKET |
| 18  | AM878933 | GASKET KIT                  | 1   |            | BLOCK                      |
| 19  | M800004  | ENGINE CYLINDER HEAD GASKET | 1   |            |                            |
| 20  | M805818  | GASKET                      | 1   |            |                            |
| 21  | M800027  | GASKET                      | 1   |            |                            |
| 22  | M805820  | GASKET                      | 1   |            |                            |
| 23  | M800032  | GASKET                      | 1   |            |                            |
| 24  | M87851   | WASHER                      | 1   |            |                            |
| 25  | CH13814  | GASKET                      | 1   |            |                            |
| 26  | M87861   | O-RING                      | 3   |            |                            |
| 27  | CH10568  | PACKING                     | 2   |            |                            |
| 28  | CH16901  | GASKET                      | 3   |            |                            |
| 29  | CH10085  | PACKING                     | 2   |            |                            |
| 30  | M806907  | GASKET                      | 1   |            |                            |
| 31  | M800047  | GASKET                      | 1   |            |                            |
| 32  | M805821  | GASKET                      | 1   |            |                            |
| 33  | CH10572  | PACKING                     | 1   |            |                            |
| 34  | M805711  | PACKING                     | 1   |            |                            |
| 35  | M800022  | SEAL                        | 6   |            |                            |
| 36  | M89134   | PACKING                     | 3   |            |                            |
| 37  | M89135   | GASKET                      | 6   |            |                            |
| 38  | AM878934 | GASKET KIT                  | 1   |            | CYLINDER HEAD              |

MP21340

-UN-30JUL99

CRANKSHAFT, FLYWHEEL AND MOUNTING FLANGE

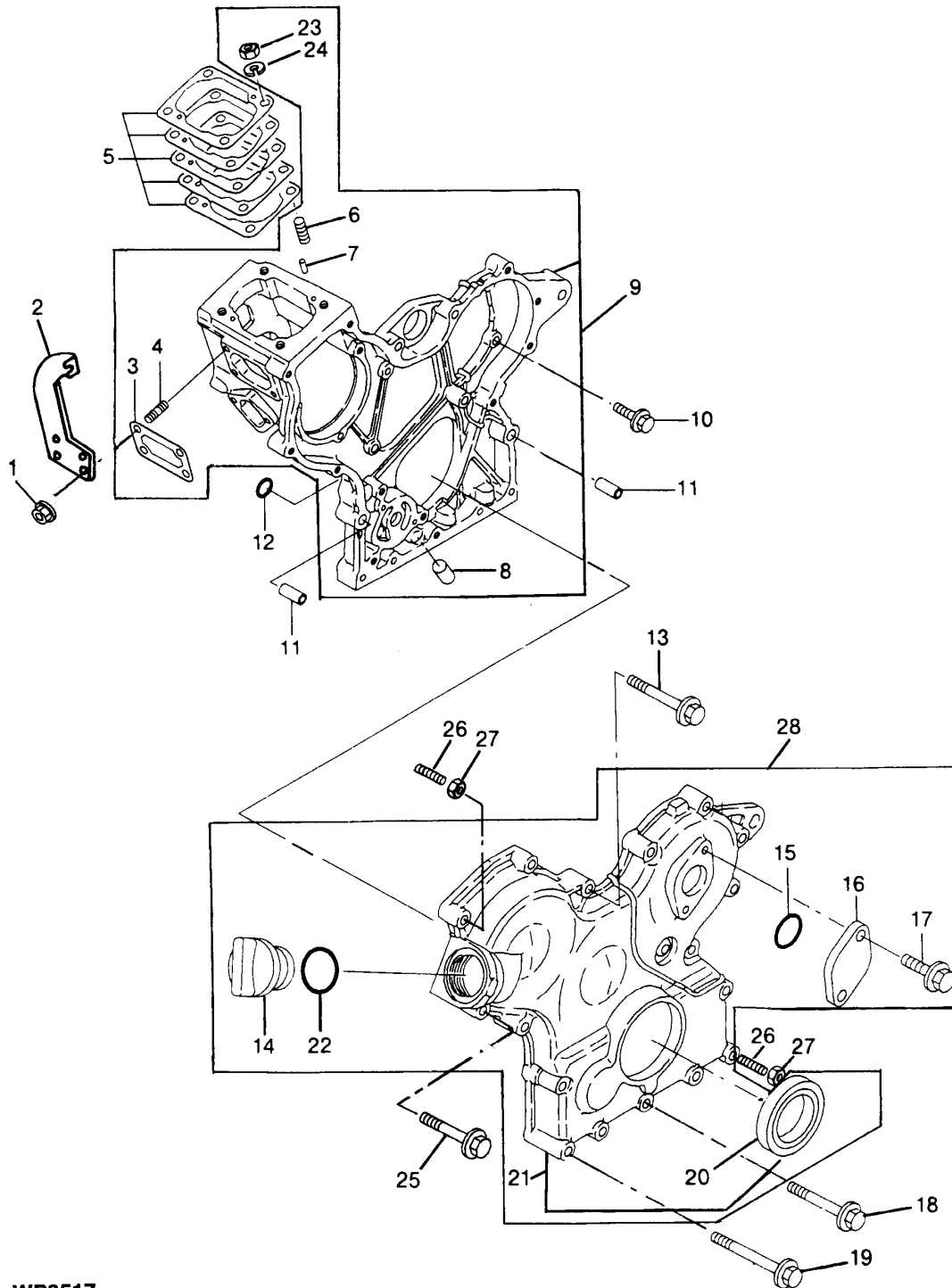


MP21340

## ENGINE

| KEY | PART NO. | PART NAME   | QTY | ENGINE<br>SERIAL NO. | REMARKS                        |
|-----|----------|-------------|-----|----------------------|--------------------------------|
| 1   | M87887   | BOLT        | 5   |                      |                                |
| 2   | M800077  | BOLT        | 4   |                      |                                |
| 3   | M806901  | SHAFT       | 1   |                      |                                |
| 4   | AM878906 | FLYWHEEL    | 1   |                      |                                |
| 5   | M802255  | PIN         | 1   |                      |                                |
| 6   | M87812   | SHAFT KEY   | 1   |                      |                                |
| 7   | M800039  | GEAR        | 1   |                      |                                |
| 8   | AM875020 | CRANKSHAFT  | 1   |                      |                                |
| 9   | M806900  | PULLEY      | 1   |                      |                                |
| 10  | M800308  | WASHER      | 1   |                      |                                |
| 11  | M800075  | BOLT        | 1   |                      |                                |
| 12  | CH12293  | PIN         | 1   |                      | 4.140 X 10.185 MM              |
| 13  | M801809  | BOLT        | 2   |                      |                                |
| 14  | M802563  | PLATE       | 1   |                      |                                |
| 15  | M88031   | NUT         | 2   |                      |                                |
| 16  | M806894  | SEAL        | 1   |                      |                                |
| 17  | AM878899 | CASE        | 1   |                      |                                |
| 18  | M802254  | PIN         | 2   |                      |                                |
| 19  | M87826   | BOLT        | 6   |                      |                                |
| 20  | M802255  | PIN         | 2   |                      |                                |
| 21  | M800011  | BOLT        | 8   |                      |                                |
| 22  | 24M7055  | WASHER      | 2   |                      | 8.400 X 16 X 1.600 MM          |
| 23  | 12M7065  | LOCK WASHER | 2   |                      | 8.100 MM                       |
| 24  | 19M7964  | CAP SCREW   | 2   |                      | M8 X 12                        |
| 25  | 19M7979  | SCREW       | 1   |                      | M8 X 55 (HS, HEAD MARKED 10.9) |
| 26  | M801819  | COVER       | 1   |                      |                                |

GEARCASE HOUSING

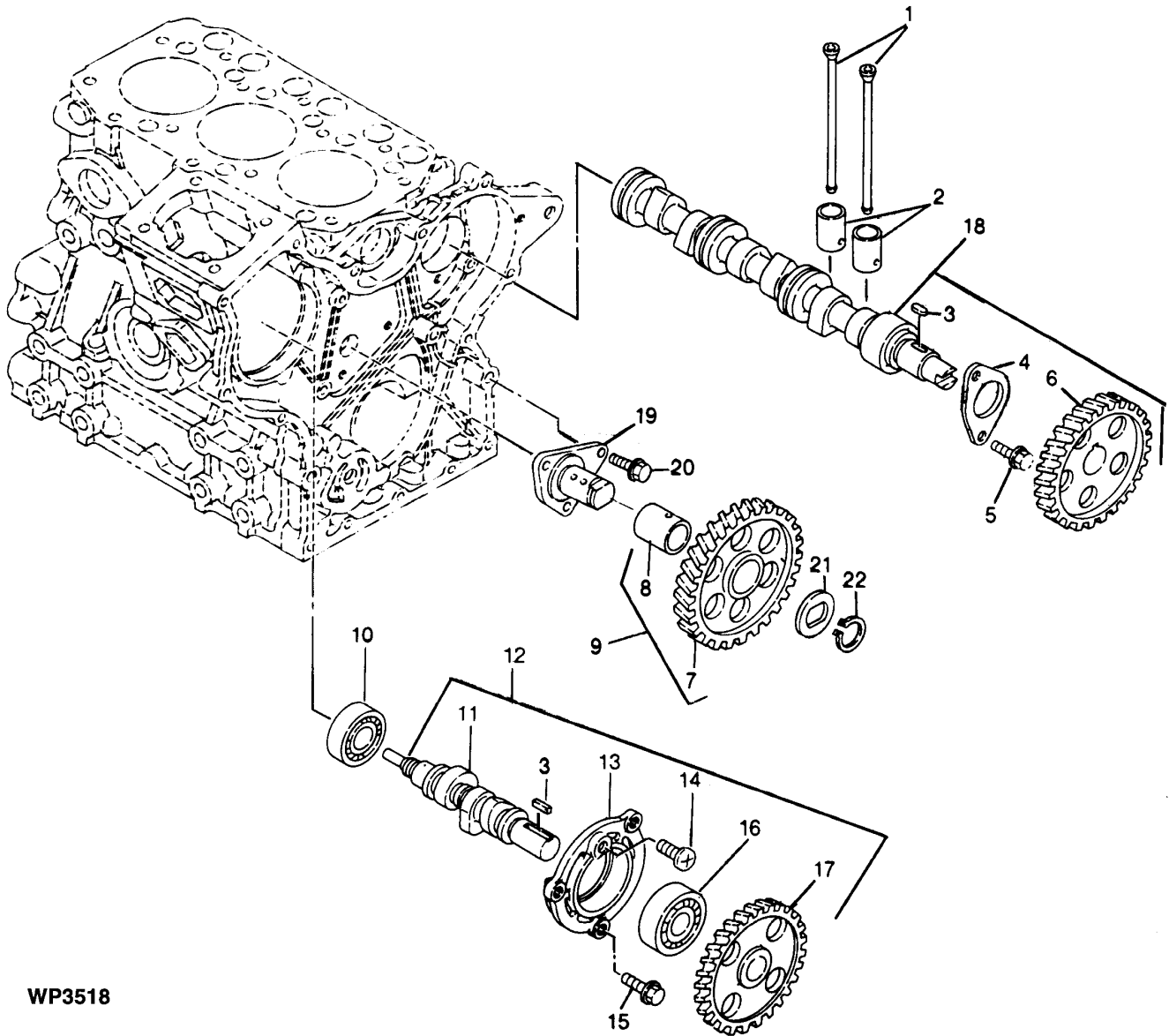


WP3517

## ENGINE

| KEY | PART NO. | PART NAME   | QTY | SERIAL NO.  | REMARKS |
|-----|----------|-------------|-----|---|---------|
| 1   | 14M7303  | FLANGE NUT  | 4   | M6  |         |
| 2   | M806917  | BRACKET     | 1   |   |         |
| 3   | M805695  | GASKET      | 1   |   |         |
| 4   | M89124   | STUD        | 4   |   |         |
| 5   | AM878882 | KIT         | 1   | FI PUMP   |         |
| 6   | CH15722  | STUD        | 4   |   |         |
| 7   | CH12293  | PIN         | 2   |   |         |
| 8   | M800007  | PLUG        | 1   |   |         |
| 9   | AM875025 | GEAR CASE   | 1   | (A)   |         |
| 10  | 19M7775  | SCREW       | 5   | M6 X 16 (HS, HEAD MARKED 10.9)                    |         |
| 11  | M800006  | DOWEL PIN   | 4   | (B)   |         |
| 12  | CH10568  | PACKING     | 2   |   |         |
| 13  | M800009  | BOLT        | 4   |   |         |
| 14  | M805710  | CAP         | 1   |   |         |
| 15  | CH13526  | PACKING     | 1   |   |         |
| 16  | M87874   | COVER       | 1   |   |         |
| 17  | M88089   | BOLT        | 2   |   |         |
| 18  | M800008  | BOLT        | 3   |   |         |
| 19  | M800065  | BOLT        | 6   |   |         |
| 20  | M87821   | SEAL        | 1   |   |         |
| 21  | AM878423 | COVER       | 1   |   |         |
| 22  | M805711  | PACKING     | 1   |   |         |
| 23  | 14M7273  | NUT         | 4   | M8  |         |
| 24  | 12M7065  | LOCK WASHER | 4   | 8.100 MM  |         |
| 25  | CH19141  | BOLT        | 3   |   |         |
| 26  | M806893  | BOLT        | 2   |   |         |
| 27  | 14M7303  | FLANGE NUT  | 2   |   |         |
| 28  | AM875024 | COVER       | 1   | (INCLUDES PARTS MARKED (B))                       |         |
| ..  | AM878932 | COVER       | 1   | (INCLUDES PARTS MARKED (A) AND RG60081 FUEL PUMP) |         |

CAMSHAFT



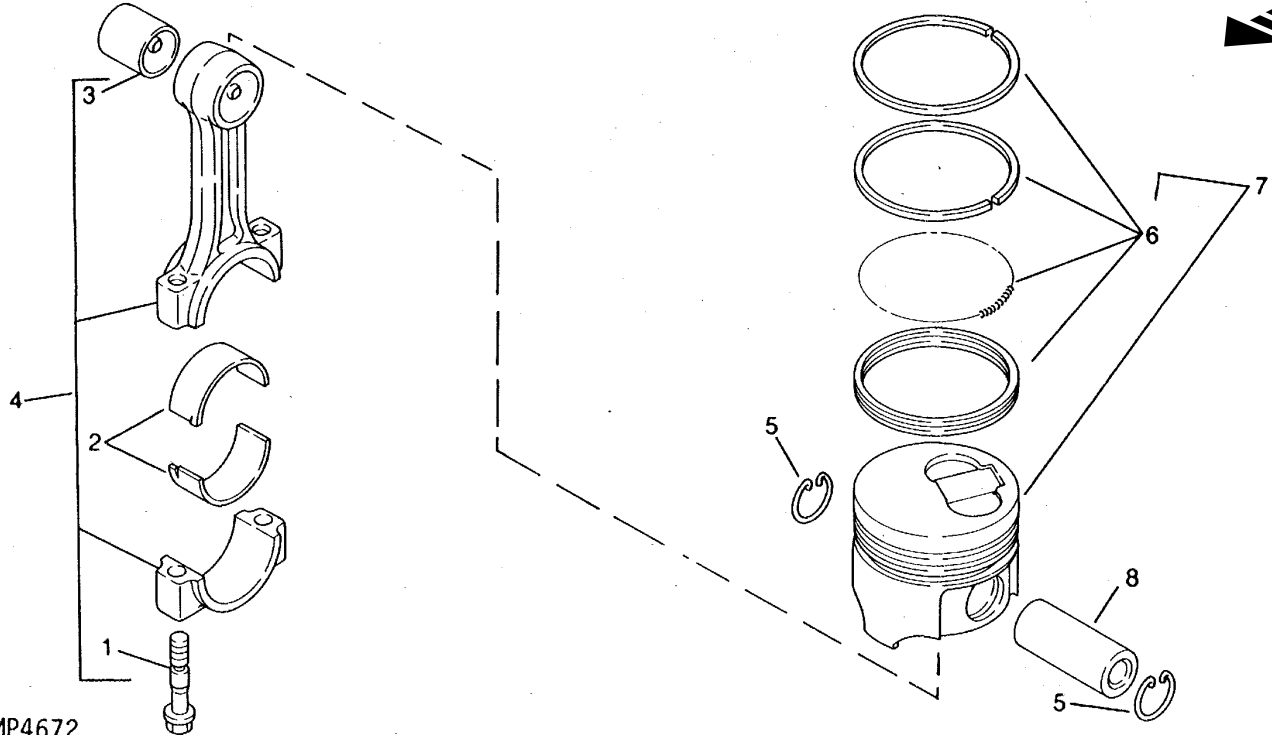
WP3518

## ENGINE

| KEY | PART NO. | PART NAME    | QTY | SERIAL NO. | REMARKS                        |
|-----|----------|--------------|-----|------------|--------------------------------|
| 1   | M800037  | PUSH ROD     | 6   |            |                                |
| 2   | M800036  | CAM FOLLOWER | 6   |            |                                |
| 3   | M87812   | SHAFT KEY    | 2   |            |                                |
| 4   | M87810   | FLANGE       | 1   |            |                                |
| 5   | 19M7774  | SCREW        | 1   |            | M6 X 12 (HS, HEAD MARKED 10.9) |
| 6   | M800035  | GEAR         | 1   |            | CAMSHAFT                       |
| 7   | .....    | GEAR         | 1   |            |                                |
| 8   | M800300  | BUSHING      | 1   |            |                                |
| 9   | AM875005 | GEAR         | 1   |            | IDLE                           |
| 10  | M800496  | BALL BEARING | 1   |            |                                |
| 11  | .....    | CAMSHAFT     | 1   |            | PUMP                           |
| 12  | AM878427 | KIT          | 1   |            | FUEL INJECTION PUMP CAM        |
| 13  | M89175   | CASE         | 1   |            |                                |
| 14  | CH15405  | SCREW        | 1   |            |                                |
| 15  | 19M7775  | SCREW        | 3   |            | M6 X 16 (HS, HEAD MARKED 10.9) |
| 16  | M800073  | BEARING      | 1   |            |                                |
| 17  | M800044  | GEAR         | 1   |            | FUEL INJECTION PUMP            |
| 18  | AM875019 | CAMSHAFT     | 1   |            | (COMPLETE)                     |
| 19  | M89140   | SHAFT        | 1   |            |                                |
| 20  | 19M7774  | SCREW        | 3   |            | M6 X 12                        |
| 21  | M89139   | PLATE        | 1   |            |                                |
| 22  | 40M7080  | SNAP RING    | 1   |            |                                |

CONNECTING ROD AND PISTON

MP4672 -UN-01JAN94



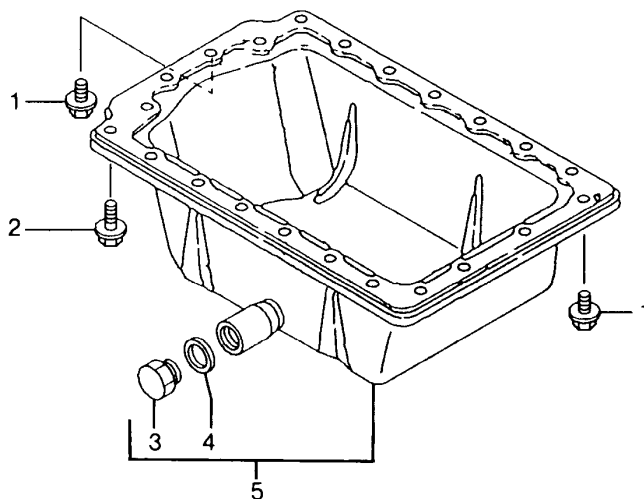
MP4672

| KEY | PART NO. | PART NAME       | QTY | SERIAL NO. | REMARKS          |
|-----|----------|-----------------|-----|------------|------------------|
| 1   | M806580  | BOLT            | 2   |            |                  |
| 2   | AM875022 | BEARING KIT     | 1   | STANDARD   |                  |
|     | AM875034 | BEARING KIT     | 1   |            | .25MM (.010") US |
| 3   | M800080  | BUSHING         | 3   |            |                  |
| 4   | AM878691 | CONNECTING ROD  | 3   |            |                  |
| 5   | M800079  | RETAINER        | 2   |            |                  |
| 6   | AM877824 | PISTON RING KIT | 3   | STANDARD   |                  |
|     | AM877825 | PISTON RING KIT | 3   |            | .25MM (.010") OS |
|     | AM878236 | PISTON RING KIT | 3   |            | .50MM (.020") OS |
| 7   | AM877822 | PISTON          | 3   | STANDARD   |                  |
|     | AM875032 | PISTON          | 3   |            | .25MM (.010") OS |
|     | AM878237 | PISTON          | 3   |            | .50MM (.020") OS |
| 8   | M800042  | PISTON PIN      | 3   |            |                  |



## OIL SUMP

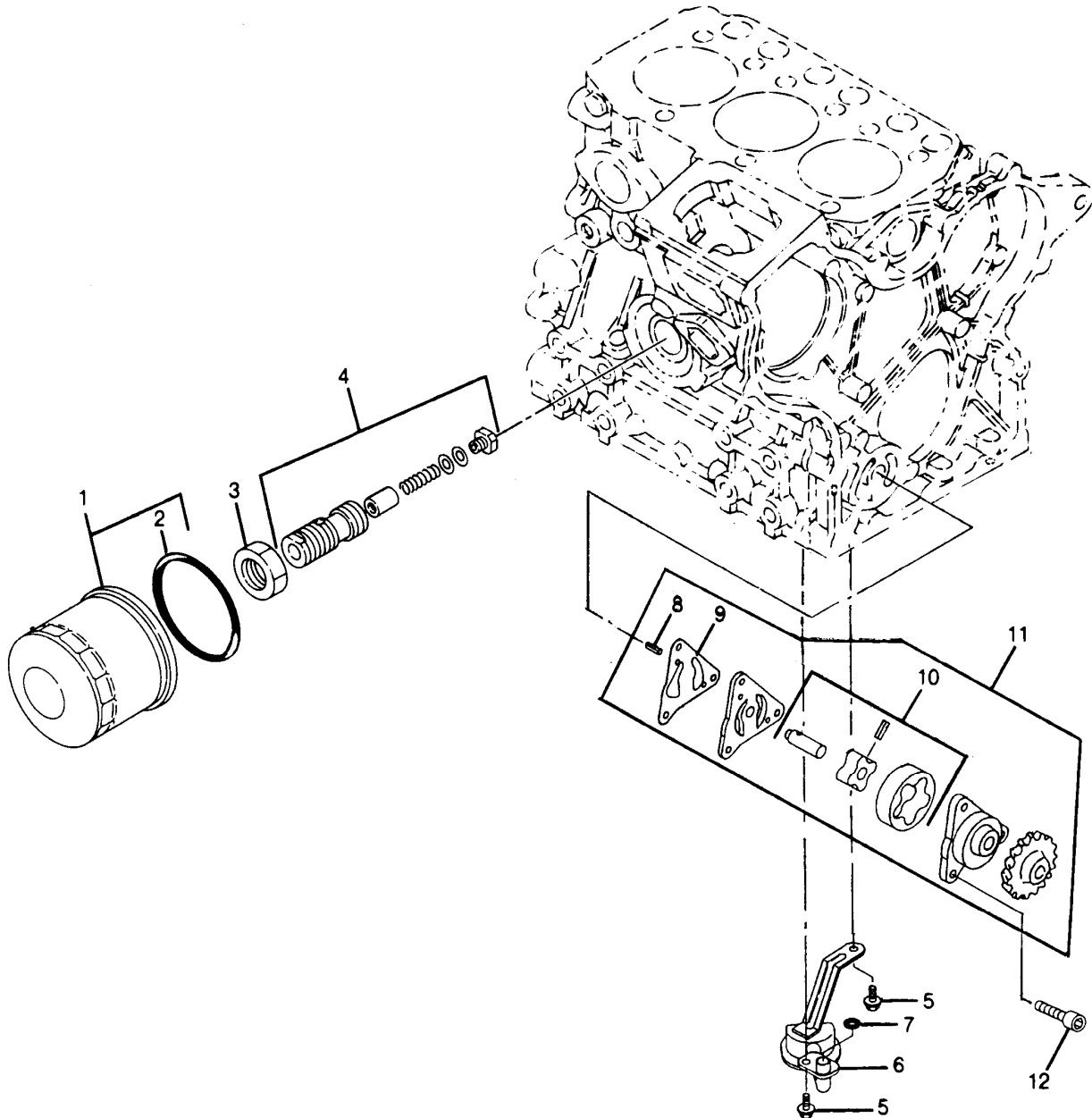
WP3520 -UN-15JAN96



WP3520

| KEY | PART NO. | PART NAME | QTY | SERIAL NO. | REMARKS |
|-----|----------|-----------|-----|------------|---------|
| 1   | 19M7774  | SCREW     | 6   | M6 X 12    |         |
| 2   | CH19095  | BOLT      | 16  |            |         |
| 3   | CH19995  | PLUG      | 1   |            |         |
| 4   | M806438  | WASHER    | 1   |            |         |
| 5   | AM878901 | OIL PAN   | 1   |            |         |

ENGINE OIL PUMP AND FILTER



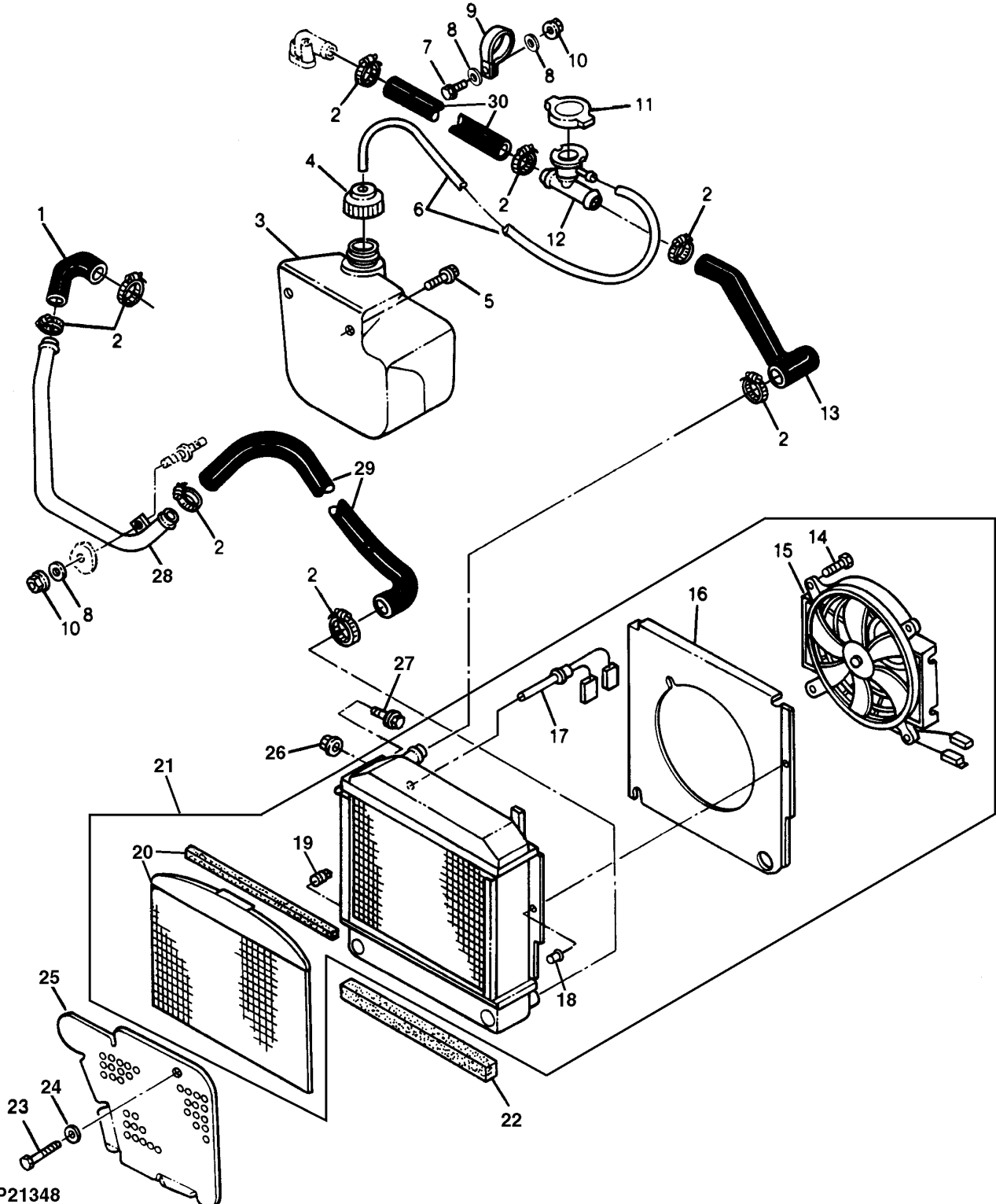
WP3521

## ENGINE

| KEY | PART NO. | PART NAME   | QTY | SERIAL NO. | REMARKS                 |
|-----|----------|-------------|-----|------------|-------------------------|
| 1   | AM101378 | OIL FILTER  | 1   |            |                         |
| 2   | CH12731  | PACKING     | 1   |            |                         |
| 3   | M89148   | NUT         | 1   |            |                         |
| 4   | AM875040 | VALVE       | 1   |            | OIL PRESSURE REGULATING |
| 5   | 19M7774  | SCREW       | 2   |            | M6 X 12                 |
| 6   | M806903  | STRAINER    | 1   |            | OIL INLET               |
| 7   | CH10568  | PACKING     | 1   |            |                         |
| 8   | CH12294  | PIN         | 2   |            |                         |
| 9   | M89142   | GASKET      | 1   |            |                         |
| 10  | AM875039 | ROTOR       | 1   |            |                         |
| 11  | AM875006 | OIL PUMP    | 1   |            |                         |
| 12  | 19M7077  | CAP SCREW   | 3   |            | M6 X 20                 |
|     | 12M7006  | LOCK WASHER | 3   |            | 6.100 MM                |

MP21348 -UN-14JUL99

RADIATOR



MP21348

## ENGINE

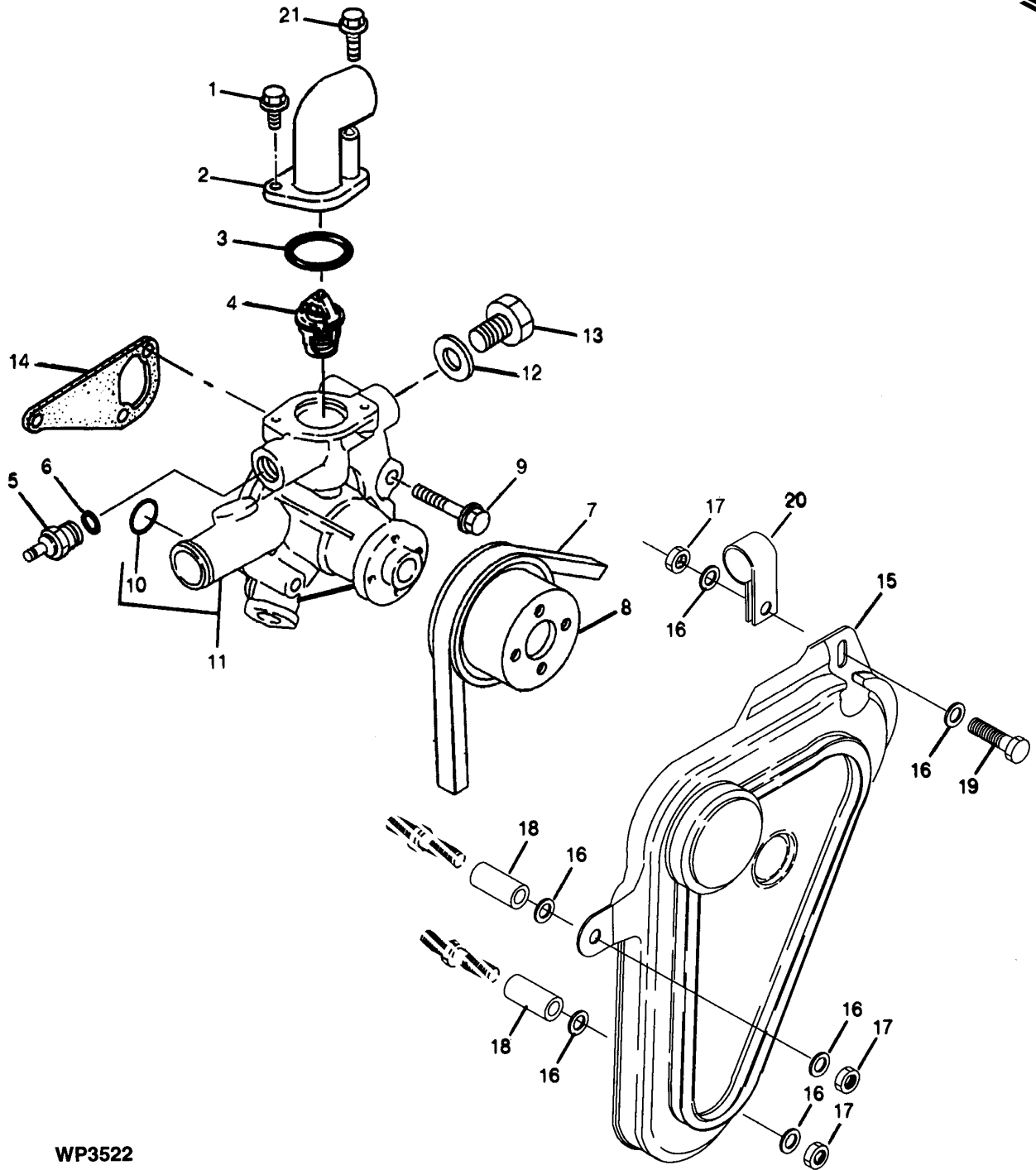
| KEY | PART NO. | PART NAME     | QTY | SERIAL NO. | REMARKS   |
|-----|----------|---------------|-----|------------|---|
| 1   | M111385  | RADIATOR HOSE | 1   |            |   |
| 2   | TY22467  | CLAMP         | 8   |            |   |
| 3   | M89510   | TANK          | 1   |            |   |
| 4   | M89511   | FILLER CAP    | 1   |            |   |
| 5   | N10218   | SCREW         | 2   |            |   |
| 6   | M88753   | HOSE          | AR  |            | 6.35 X 300 MM (1/4 X 12")   |
| 7   | 37M7091  | SCREW         | 1   |            | M6 X 25   |
| 8   | 24M7100  | WASHER        | 3   |            | 6.600 X 22 X 2 MM   |
| 9   | AH77714  | CLIP          | 1   |            |   |
| 10  | 14M7397  | LOCK NUT      | 2   |            | M6  |
| 11  | M113126  | CAP           | 1   |            | (14 PSI)  |
| 12  | M124173  | FITTING       | 1   |            |   |
| 13  | M124556  | RADIATOR HOSE | 1   |            |   |
| 14  | 21H1148  | SCREW         | 4   |            | 0.190" X 3/4"   |
| 15  | AM121624 | FAN           | 1   |            |   |
| 16  | M123359  | SHROUD        | 1   |            |   |
| 17  | AM118587 | THERMOSTAT    | 1   |            |   |
| 18  | R53608   | RIVET         | 2   |            |   |
| 19  | 15H604   | PIPE PLUG     | 2   |            | 1/4"  |
| 20  | AM118586 | SCREEN        | 1   |            |   |
| 21  | AM121622 | RADIATOR      | 1   |            | (COMPLETE)  |
| 22  | M115983  | FOAM PAD      | 1   |            |   |
| 23  | 19M7862  | SCREW         | 1   |            | M6 X 20   |
| 24  | 24H1822  | WASHER        | 1   |            | 11/32" X 7/8" X 1/16"   |
| 25  | M124569  | SCREEN        | 1   |            |   |
| 26  | 14M7397  | LOCK NUT      | 2   |            | M6  |
| 27  | 19M7862  | SCREW         | 1   |            | M6 X 20 (UPPER)   |
|     | N10218   | SCREW         | 1   |            | (LOWER)   |
| 28  | M122487  | TUBE          | 1   |            |   |
| 29  | .....    | HOSE          | 1   |            | (A) ID = 25.4 MM (1") LGTH = 985 MM (39")<br>(SAE 20R3, CLASS D2)     |
| 30  | .....    | HOSE          | 1   |            | (A) ID = 25.4 MM (1") LGTH = 310 MM (12 1/4")<br>(SAE 20R3, CLASS D2) |

(A) SOURCE HEATER HOSE FROM LOCAL AUTOMOTIVE SUPPLY.

WP3522

-UN-15JAN96

WATER PUMP AND THERMOSTAT



WP3522

## ENGINE

| KEY | PART NO. | PART NAME  | QTY | SERIAL NO. | REMARKS             |
|-----|----------|------------|-----|------------|---------------------|
| 1   | 19M7775  | SCREW      | 1   |            |                     |
| 2   | M801815  | COVER      | 1   |            |                     |
| 3   | T32587   | O-RING     | 1   |            |                     |
| 4   | AM875009 | THERMOSTAT | 1   |            |                     |
| 5   | CH15516  | SWITCH     | 1   |            | 71°C (160°F)        |
| 6   | CH17620  | GASKET     | 1   |            | COOLANT TEMPERATURE |
| 7   | M800313  | BELT       | 1   |            |                     |
| 8   | M87905   | PULLEY     | 1   |            |                     |
| 9   | CH19101  | BOLT       | 3   |            |                     |
| 10  | M800086  | PACKING    | 1   |            |                     |
| 11  | AM878911 | WATER PUMP | 1   |            |                     |
| 12  | CH13814  | GASKET     | 1   |            |                     |
| 13  | M800312  | PLUG       | 1   |            |                     |
| 14  | M800047  | GASKET     | 1   |            |                     |
| 15  | M122217  | SHIELD     | 1   |            |                     |
| 16  | 24M7100  | WASHER     | 5   |            | 6.600 X 22 X 2 MM   |
| 17  | 14M7397  | LOCK NUT   | 3   |            | M6                  |
| 18  | M70563   | SPACER     | 1   |            |                     |
| 19  | 19M7863  | SCREW      | 1   |            | M6 X 25             |
| 20  | AH77714  | CLIP       | 1   |            |                     |
| 21  | M87872   | BOLT       | 1   |            |                     |

---

MEMORANDA

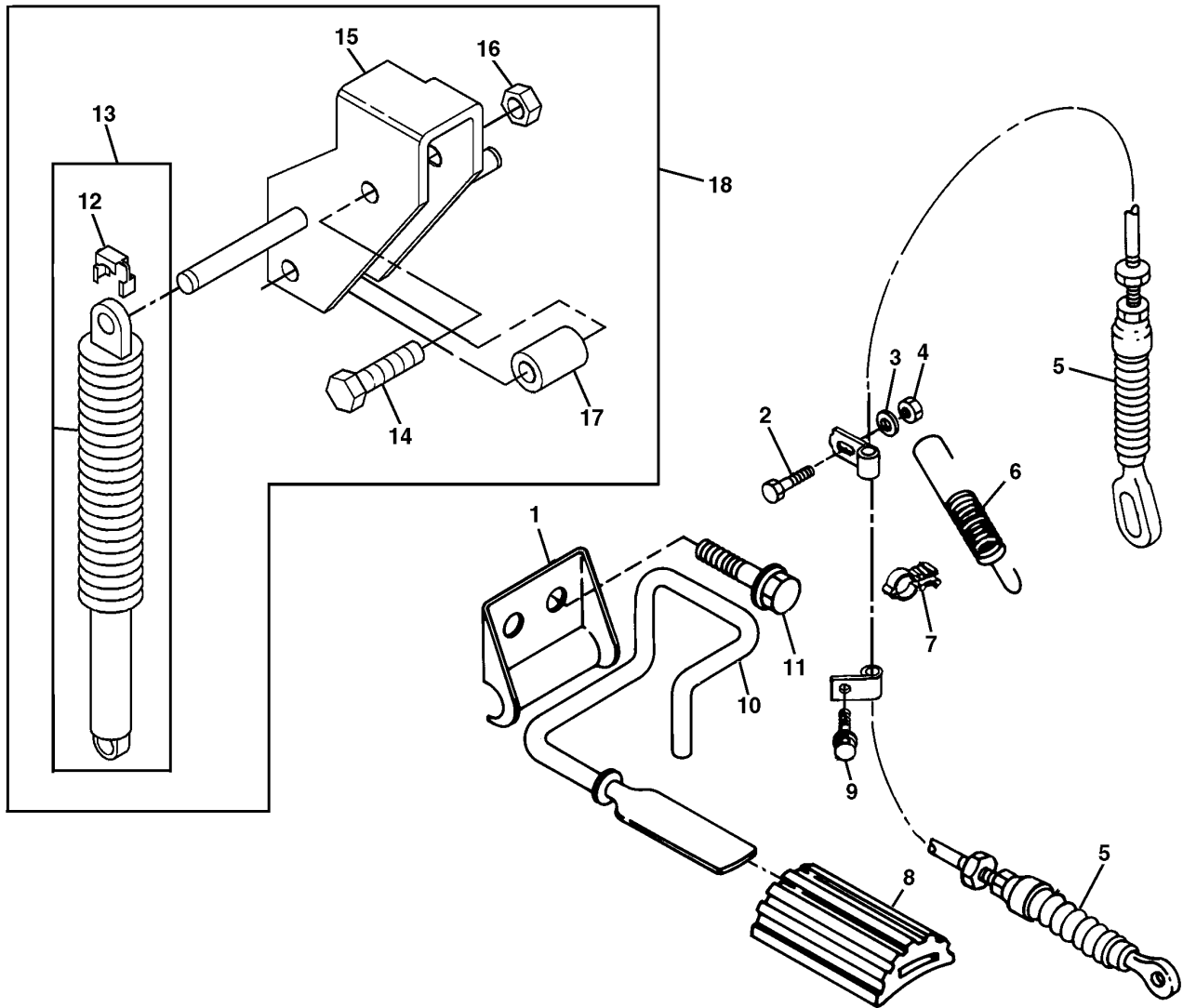


---

MEMORANDA

MP21175 -UN-16JUL99

GAS PEDAL, THROTTLE CABLE AND CHOKE CABLE

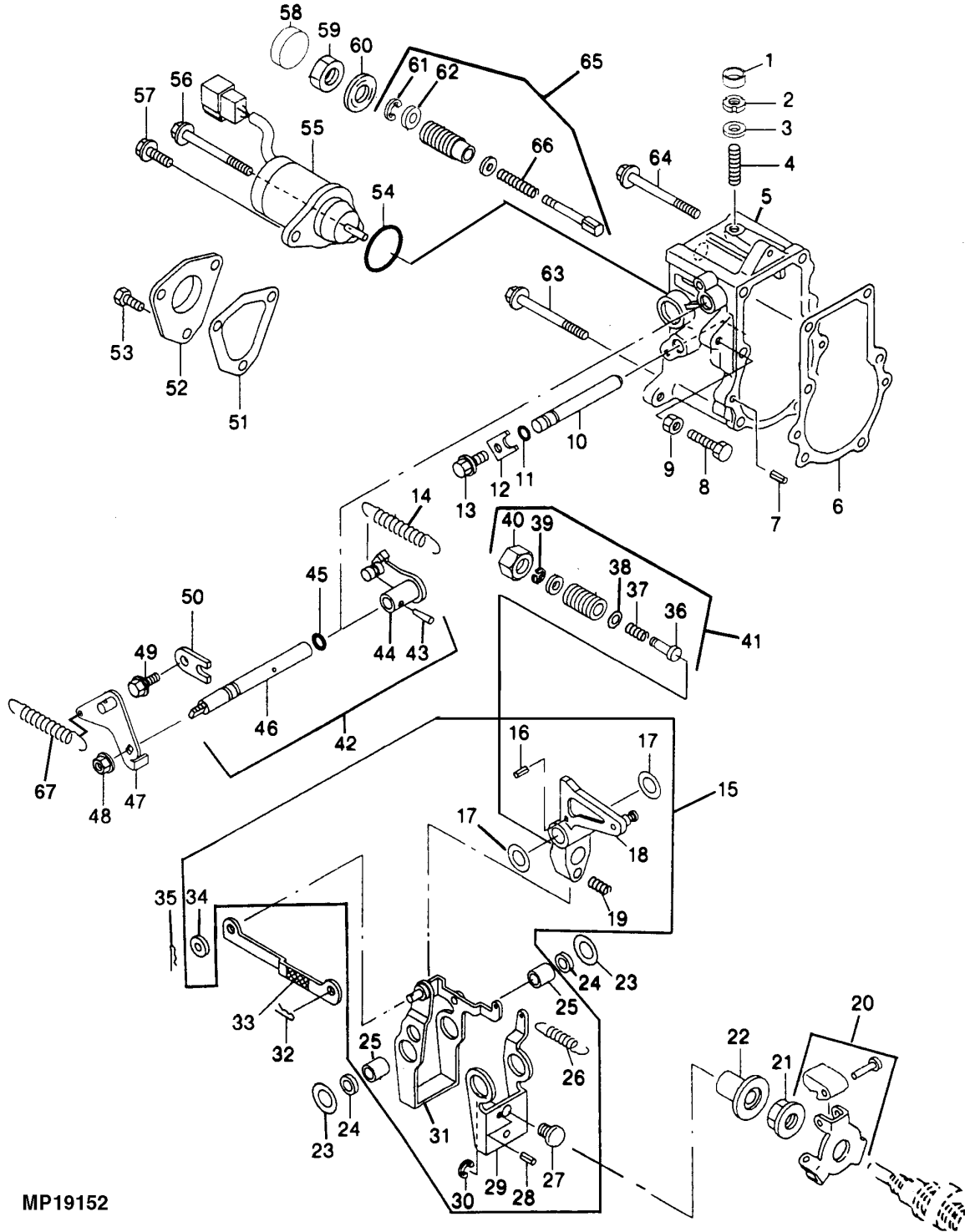


MP21175

| KEY | PART NO.       | PART NAME  | QTY      | SERIAL NO.                      | REMARKS |
|-----|----------------|------------|----------|---------------------------------|---------|
| 1   | M118304        | PIVOT      | 1        |                                 |         |
| 2   | 19M7373        | CAP SCREW  | 1        | M5 X 20                         |         |
| 3   | 24H1284        | WASHER     | 1        | 7/32" X 7/8" X 0.065"           |         |
| 4   | 14M7265        | LOCK NUT   | 1        | M5                              |         |
| 5   | AM125307       | CABLE      | 1        |                                 |         |
| 6   | M118949        | SPRING     | 1        |                                 |         |
| 7   | M117459        | RETAINER   | 1        |                                 |         |
| 8   | M114247        | PAD        | 1        |                                 |         |
| 9   | 37M7091        | SCREW      | 1        |                                 |         |
| 10  | M114238        | PEDAL      | 1        |                                 |         |
| 11  | N10218         | SCREW      | 2        |                                 |         |
| 12  | .....          | CLIP       | 1        |                                 |         |
| 13  | AM127560       | ABSORBER   | 1        |                                 |         |
| 14  | 19M7800        | SCREW      | 2        | M8 X 50                         |         |
| 15  | AM126459       | BRACKET    | 1        |                                 |         |
| 16  | 14M7396        | LOCK NUT   | 2        | M8                              |         |
| 17  | M135386        | BUSHING    | 1        |                                 |         |
| 18  | <b>BM19839</b> | <b>KIT</b> | <b>1</b> | <b>ROUGH TERRAIN (OPTIONAL)</b> |         |

GOVERNOR

MP19152 -UN-01JUL98

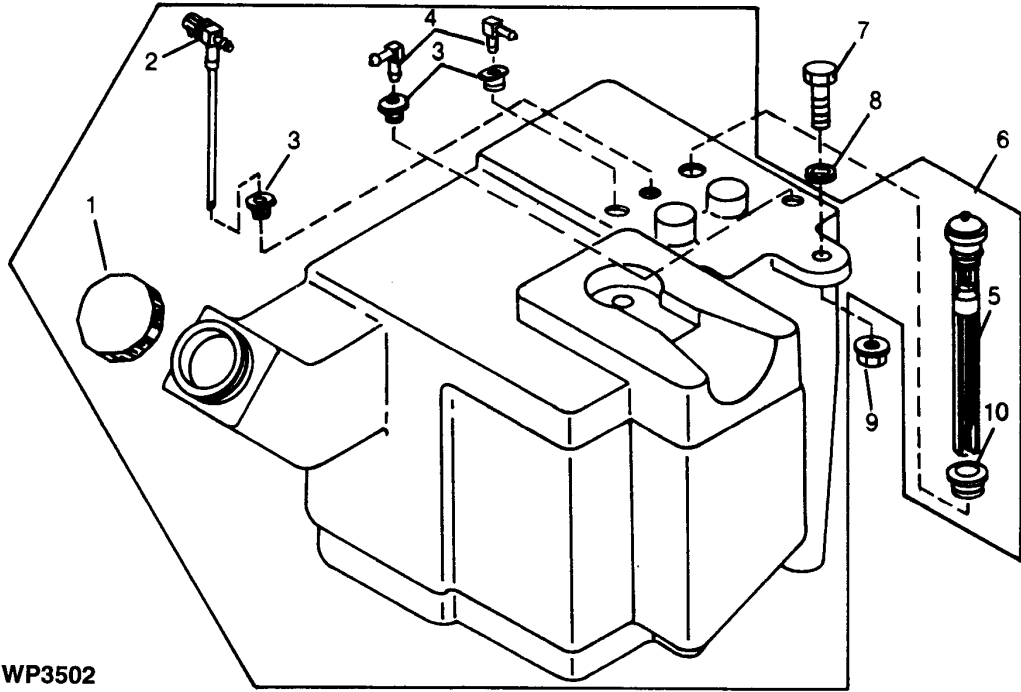


MP19152

| KEY | PART NO. | PART NAME   | QTY | SERIAL NO. | REMARKS |
|-----|----------|-------------|-----|------------|---------|
| 1   | M806884  | PLUG        | 1   |            |         |
| 2   | M806876  | NUT         | 1   |            |         |
| 3   | CH10644  | WASHER      | 1   |            |         |
| 4   | M806874  | BOLT        | 1   |            |         |
| 5   | M806912  | CASE        | 1   |            |         |
| 6   | M805704  | GASKET      | 1   |            |         |
| 7   | CH12293  | PIN         | 2   |            |         |
| 8   | M89169   | SCREW       | 1   |            |         |
| 9   | 14M7194  | NUT         | 1   | M6         |         |
| 10  | M89160   | SHAFT       | 1   |            |         |
| 11  | M89151   | O-RING      | 1   |            |         |
| 12  | M89161   | RETAINER    | 1   |            |         |
| 13  | 19M7300  | CAP SCREW   | 1   | M6 X 10    |         |
| 14  | M809049  | SPRING      | 1   |            |         |
| 15  | AM878835 | LEVER       | 1   |            |         |
| 16  | M89178   | SPRING PIN  | 1   |            |         |
| 17  | .....    | KIT         | 2   | SHIM       |         |
| 18  | .....    | LEVER       | 1   |            |         |
| 19  | M800098  | SPRING      | 1   |            |         |
| 20  | AM875681 | WEIGHT      | 1   |            |         |
| 21  | M89157   | NUT         | 1   |            |         |
| 22  | M89158   | SLEEVE      | 1   |            |         |
| 23  | AM875592 | SHIM        | 1   |            |         |
| 24  | M89159   | SPACER      | 2   |            |         |
| 25  | .....    | BUSHING     | 2   |            |         |
| 26  | RG60463  | SPRING      | 1   |            |         |
| 27  | M801855  | SHIFTER     | 1   |            |         |
| 28  | M801857  | SPRING PIN  | 1   |            |         |
| 29  | .....    | LEVER       | 1   |            |         |
| 30  | CH13497  | SNAP RING   | 1   |            |         |
| 31  | .....    | LEVER       | 1   |            |         |
| 32  | CH10542  | PIN         | 1   |            |         |
| 33  | M89156   | LINK        | 1   |            |         |
| 34  | M800099  | WASHER      | 1   |            |         |
| 35  | M89162   | PIN         | 1   |            |         |
| 36  | AT110813 | SHIFTER     | 1   |            |         |
| 37  | AT110815 | SPRING      | 1   |            |         |
| 38  | AT110817 | SHIM        | 1   |            |         |
| 39  | CH13497  | SNAP RING   | 1   |            |         |
| 40  | T111874  | NUT         | 1   |            |         |
| 41  | RG60094  | ADJUSTER    | 1   |            |         |
| 42  | RG60088  | SHAFT       | 1   |            |         |
| 43  | CH10536  | PIN         | 1   |            |         |
| 44  | .....    | LEVER       | 1   |            |         |
| 45  | M801785  | O-RING      | 1   |            |         |
| 46  | RG60089  | SHAFT       | 1   |            |         |
| 47  | M806915  | LEVER       | 1   |            |         |
| 48  | 14M7273  | NUT         | 1   | M8         |         |
|     | 12M7065  | LOCK WASHER | 1   | 8.100 MM   |         |
| 49  | 19M7300  | CAP SCREW   | 1   | M6 X 10    |         |
| 50  | M801784  | RETAINER    | 1   |            |         |
| 51  | M805705  | GASKET      | 1   |            |         |
| 52  | M89154   | COVER       | 1   |            |         |
| 53  | M89164   | BOLT        | 1   |            |         |
| 54  | RG60092  | RING        | 1   |            |         |
| 55  | M806808  | SOLENOID    | 1   |            |         |
| 56  | RG60093  | SCREW       | 1   |            |         |
| 57  | 19M8425  | CAP SCREW   | 1   | M6 X 16    |         |
| 58  | M806882  | PLUG        | 1   |            |         |
| 59  | M806875  | NUT         | 1   |            |         |
| 60  | M806438  | WASHER      | 1   |            |         |
| 61  | CH13497  | SNAP RING   | 1   |            |         |
| 62  | AT110817 | SHIM        | 1   |            |         |
| 63  | M800100  | BOLT        | 1   |            |         |
| 64  | M89163   | BOLT        | 1   |            |         |
| 65  | AM878919 | RESTRICTOR  | 1   |            |         |
| 66  | M806916  | SPRING      | 1   |            |         |
| 67  | M806908  | SPRING      | 1   |            |         |

WP3502 -UN-15JAN96

FUEL TANK

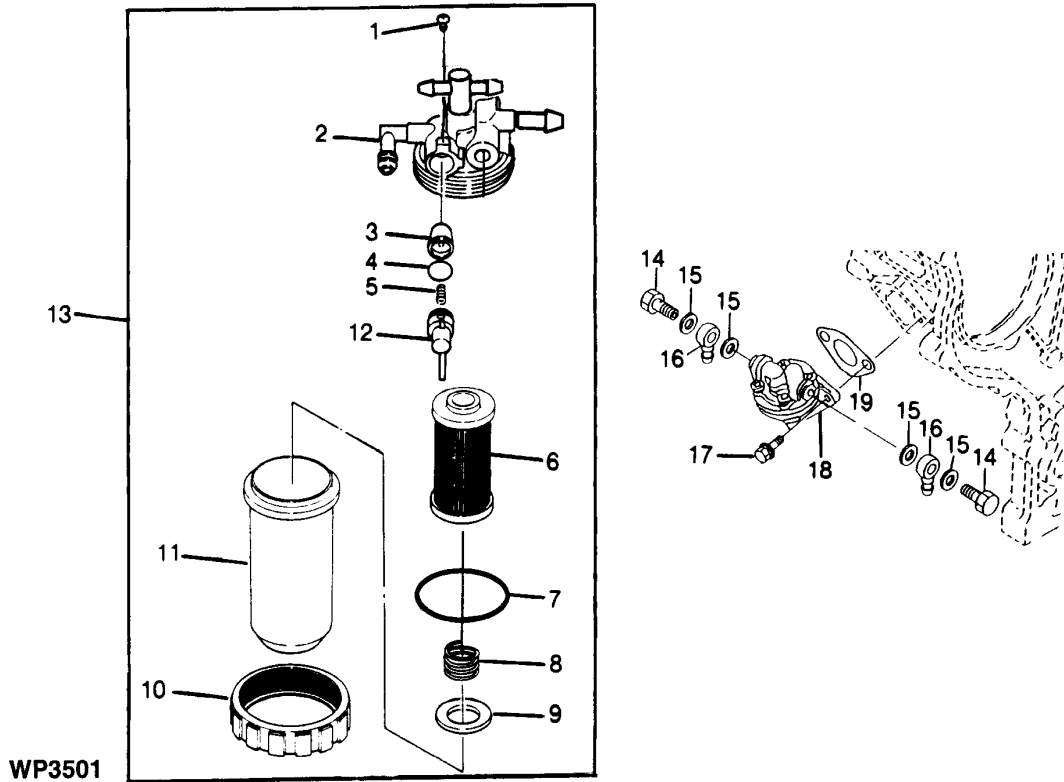


WP3502

| KEY | PART NO. | PART NAME      | QTY | SERIAL NO. | REMARKS                  |
|-----|----------|----------------|-----|------------|--------------------------|
| 1   | AM116170 | FILLER CAP     | 1   |            | DIESEL (RED)             |
| 2   | M124342  | SHUT-OFF VALVE | 1   |            |                          |
| 3   | M119928  | BUSHING        | 3   |            |                          |
| 4   | M80357   | ELBOW FITTING  | 2   |            |                          |
| 5   | AM117650 | GAUGE          | 1   |            |                          |
| 6   | AM119966 | FUEL TANK      | 1   |            |                          |
| 7   | 19M7513  | CAP SCREW      | 1   |            | M8 X 30                  |
| 8   | 24H1296  | WASHER         | 1   |            | 11/32" X 1-3/8" X 0.134" |
| 9   | 14M7396  | LOCK NUT       | 1   |            | M8                       |
| 10  | M111560  | BUSHING        | 1   |            |                          |

WP3501 -UN-15JAN96

FUEL FILTER

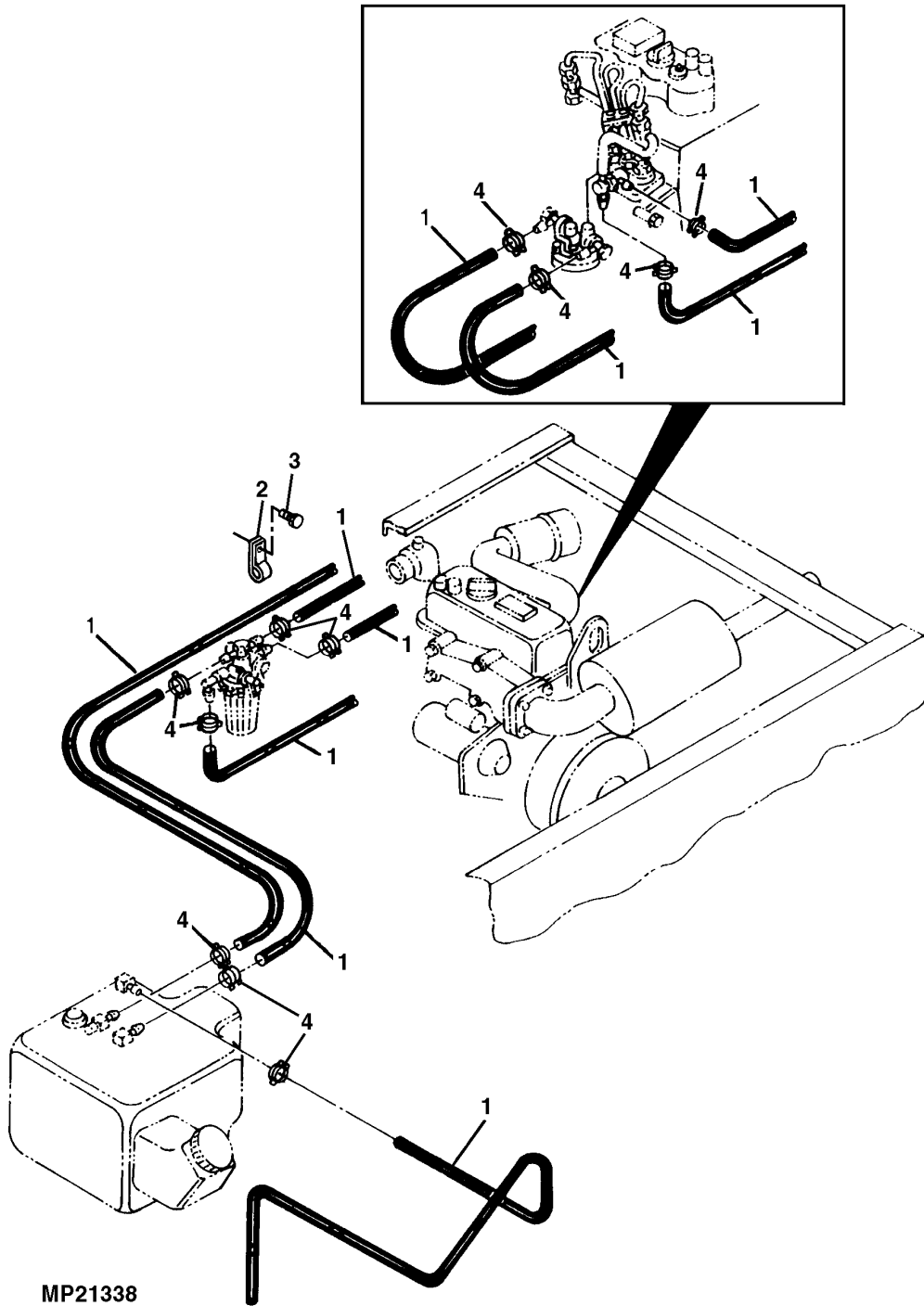


WP3501

| KEY | PART NO. | PART NAME      | QTY | SERIAL NO. | REMARKS               |
|-----|----------|----------------|-----|------------|-----------------------|
| 1   | CH10084  | SCREW          | 1   |            |                       |
| 2   | M806911  | HOUSING        | 1   |            |                       |
| 3   | .....    | VALVE          | 1   |            |                       |
| 4   | .....    | PACKING        | 1   |            |                       |
| 5   | .....    | SPRING         | 1   |            |                       |
| 6   | CH15553  | FILTER ELEMENT | 1   |            |                       |
| 7   | CH10060  | PACKING        | 1   |            |                       |
| 8   | CH16888  | SPRING         | 1   |            |                       |
| 9   | T111401  | FLOAT          | 1   |            |                       |
| 10  | CH10106  | RING           | 1   |            |                       |
| 11  | CH15983  | COVER          | 1   |            |                       |
| 12  | .....    | LEVER          | 1   |            |                       |
| 13  | AM878916 | FUEL FILTER    | 1   |            |                       |
| 14  | M802692  | FITTING        | 2   |            |                       |
| 15  | M806424  | WASHER         | 4   |            |                       |
| 16  | M802691  | FITTING        | 2   |            |                       |
| 17  | 19M7077  | CAP SCREW      | 2   |            | M6 X 20               |
|     | 12M7006  | LOCK WASHER    | 2   |            | 6.100 MM              |
|     | 24M7054  | WASHER         | 2   |            | 6.400 X 12 X 1.600 MM |
| 18  | RG60081  | FUEL PUMP      | 1   |            |                       |
| 19  | M805703  | GASKET         | 1   |            |                       |

MP21338 -UN-09JUL99

FUEL LINES



MP21338



---

FUEL AND AIR

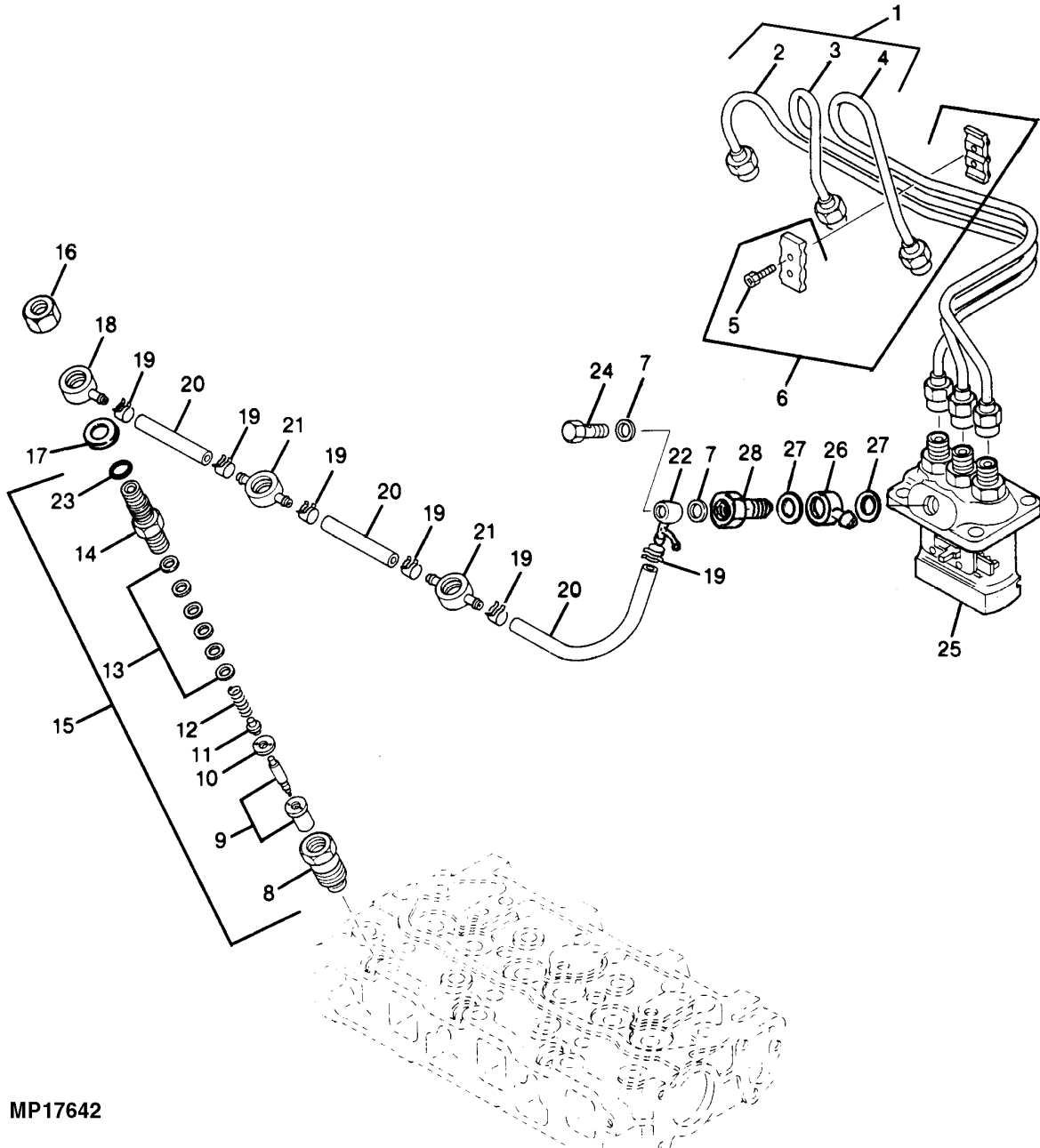
---

| KEY | PART NO. | PART NAME | QTY | SERIAL NO. | REMARKS |
|-----|----------|-----------|-----|------------|---------|
| 1   | M88753   | HOSE      | AR  |            |         |
| 2   | M45242   | CLIP      | 3   |            |         |
| 3   | N10218   | SCREW     | 3   |            |         |
| 4   | R56101   | CLIP      | 11  |            |         |

---

MP17642 -UN-19JUN97

FUEL INJECTION PUMP, NOZZLES AND LINES



MP17642

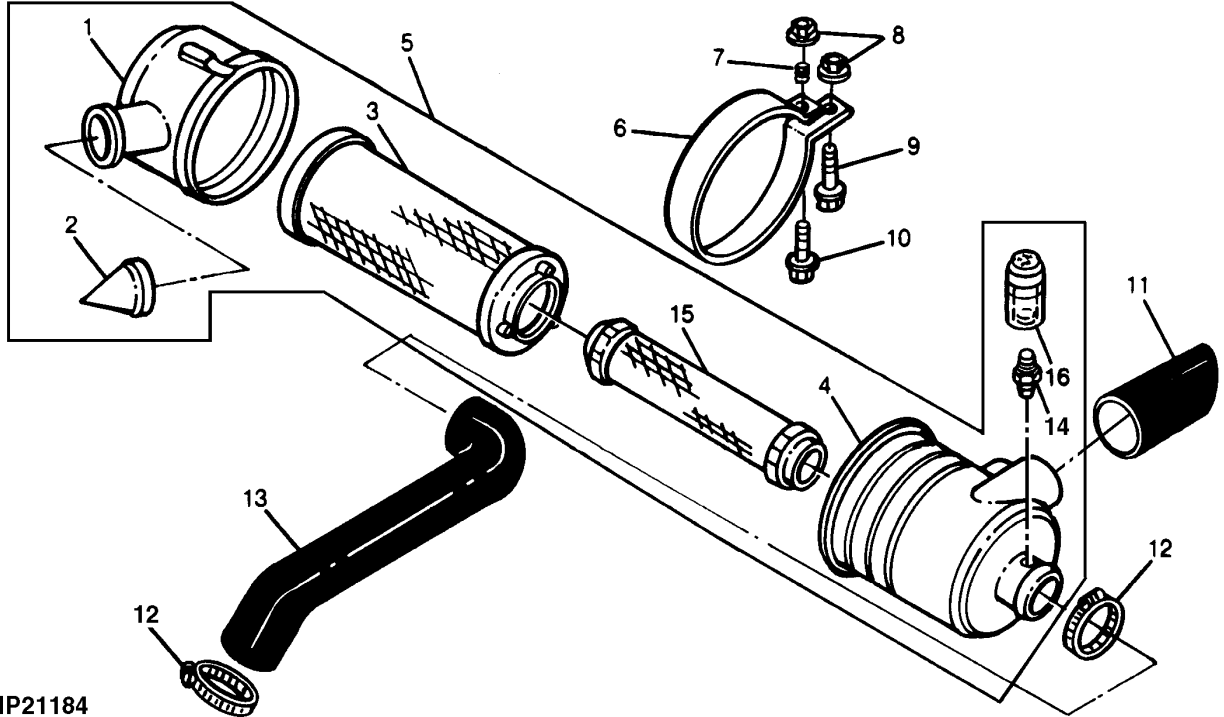
FUEL AND AIR

| KEY | PART NO. | PART NAME           | QTY | SERIAL NO. | REMARKS |
|-----|----------|---------------------|-----|------------|---------|
| 1   | AM876238 | FUEL LINE           | 1   |            |         |
| 2   | AM876164 | FUEL LINE           | 1   |            |         |
| 3   | AM875011 | FUEL LINE           | 1   |            |         |
| 4   | AM875012 | FUEL LINE           | 1   |            |         |
| 5   | M806745  | BOLT                | 2   |            |         |
| 6   | AM100752 | CLAMP               | 1   |            |         |
| 7   | CH12807  | GASKET              | 2   |            |         |
| 8   | M800209  | NUT                 | 3   |            |         |
| 9   | AM875068 | NOZZLE              | 3   |            |         |
| 10  | M800213  | VALVE SEAT          | 3   |            |         |
| 11  | M800212  | RETAINER            | 3   |            |         |
| 12  | M800211  | SPRING              | 3   |            |         |
| 13  | AM875069 | KIT                 | 3   |            | SHIM    |
| 14  | M800210  | HOUSING             | 3   |            |         |
| 15  | AM875068 | NOZZLE              | 3   |            |         |
| 16  | M87908   | NUT                 | 3   |            |         |
| 17  | CH16901  | GASKET              | 3   |            |         |
| 18  | M800091  | UNIVERSAL JOINT     | 1   |            |         |
| 19  | CH10323  | RETAINER            | 6   |            |         |
| 20  | M88201   | HOSE                | AR  |            |         |
| 21  | M800092  | UNIVERSAL JOINT     | 2   |            |         |
| 22  | CH11795  | UNIVERSAL JOINT     | 1   |            |         |
| 23  | M87861   | O-RING              | 3   |            |         |
| 24  | CH15501  | BOLT                | 1   |            |         |
| 25  | AM875035 | FUEL INJECTION PUMP | 1   |            | (A)     |
| 26  | CH17960  | FITTING             | 1   |            |         |
| 27  | CH10085  | PACKING             | 2   |            |         |
| 28  | M802693  | BOLT                | 1   |            |         |

(A) SEE YOUR AUTHORIZED PUMP REPAIR STATION FOR INTERNAL PARTS.

AIR CLEANER

MP21184 -UN-15SEP99



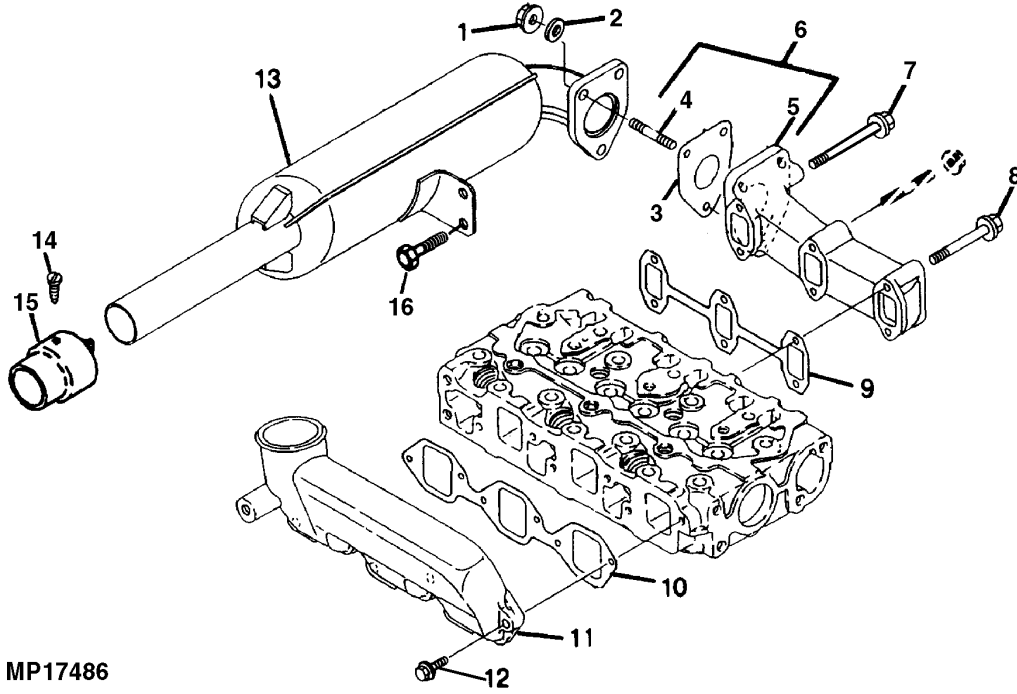
**MP21184**

| KEY | PART NO. | PART NAME                 | QTY | SERIAL NO. | REMARKS                  |
|-----|----------|---------------------------|-----|------------|--------------------------|
| 1   |          | END                       | 1   |            | NSEP                     |
| 2   | AM108172 | DRAIN VALVE               | 1   |            |                          |
| 3   | M113621  | FILTER                    | 1   |            | PRIMARY                  |
| 4   |          | AIR INTAKE                | 1   |            | NSEP                     |
| 5   | AM121648 | AIR CLEANER               | 1   |            |                          |
| 6   | M113622  | BRACKET                   | 1   |            |                          |
| 7   | R59468   | SPRING                    | 1   |            |                          |
| 8   | 14M7396  | LOCK NUT                  | 2   |            | M8                       |
| 9   | 19M7866  | SCREW                     | 1   |            | M8 X 20                  |
| 10  | 19M7798  | SCREW                     | 1   |            | M8 X 40                  |
| 11  |          | HOSE                      | 1   |            | (A) (SAE 20R1, CLASS D2) |
| 12  | TY22470  | CLAMP                     | 2   |            |                          |
| 13  | M121063  | SUCTION HOSE              | 1   |            |                          |
| 14  | AR44361  | FITTING                   | 1   |            |                          |
| 15  | M123378  | FILTER ELEMENT            | 1   |            | SECONDARY                |
| 16  | AT118553 | AIR RESTRICTION INDICATOR | 1   |            |                          |

(A) SOURCE HOSE FROM LOCAL AUTOMOTIVE SUPPLY

MP17486 -UN-29APR97

MUFFLER, INTAKE AND EXHAUST MANIFOLD



MP17486

| KEY | PART NO. | PART NAME        | QTY | SERIAL NO.     | REMARKS |
|-----|----------|------------------|-----|----------------|---------|
| 1   | 14M7273  | NUT              | 3   | M8             |         |
| 2   | 12M7065  | LOCK WASHER      | 3   | 8.100 MM       |         |
| 3   | M805821  | GASKET           | 1   | MUFFLER        |         |
| 4   | M800350  | STUD             | 3   |                |         |
| 5   | .....    | EXHAUST MANIFOLD | 1   |                |         |
| 6   | AM875576 | EXHAUST MANIFOLD | 1   |                |         |
| 7   | M89163   | BOLT             | 2   |                |         |
| 8   | M800008  | BOLT             | 2   |                |         |
| 9   | M800032  | GASKET           | 1   |                |         |
| 10  | M805820  | GASKET           | 1   |                |         |
| 11  | M800028  | INTAKE MANIFOLD  | 1   |                |         |
| 12  | M87820   | BOLT             | 4   |                |         |
| 13  | M806910  | MUFFLER          | 1   |                |         |
| 14  | 37H43    | SCREW            | 1   |                |         |
| 15  | AM108146 | SCREEN           | 1   | SPARK ARRESTOR |         |
| 16  | 19M7964  | CAP SCREW        | 2   | M8 X 12        |         |

---

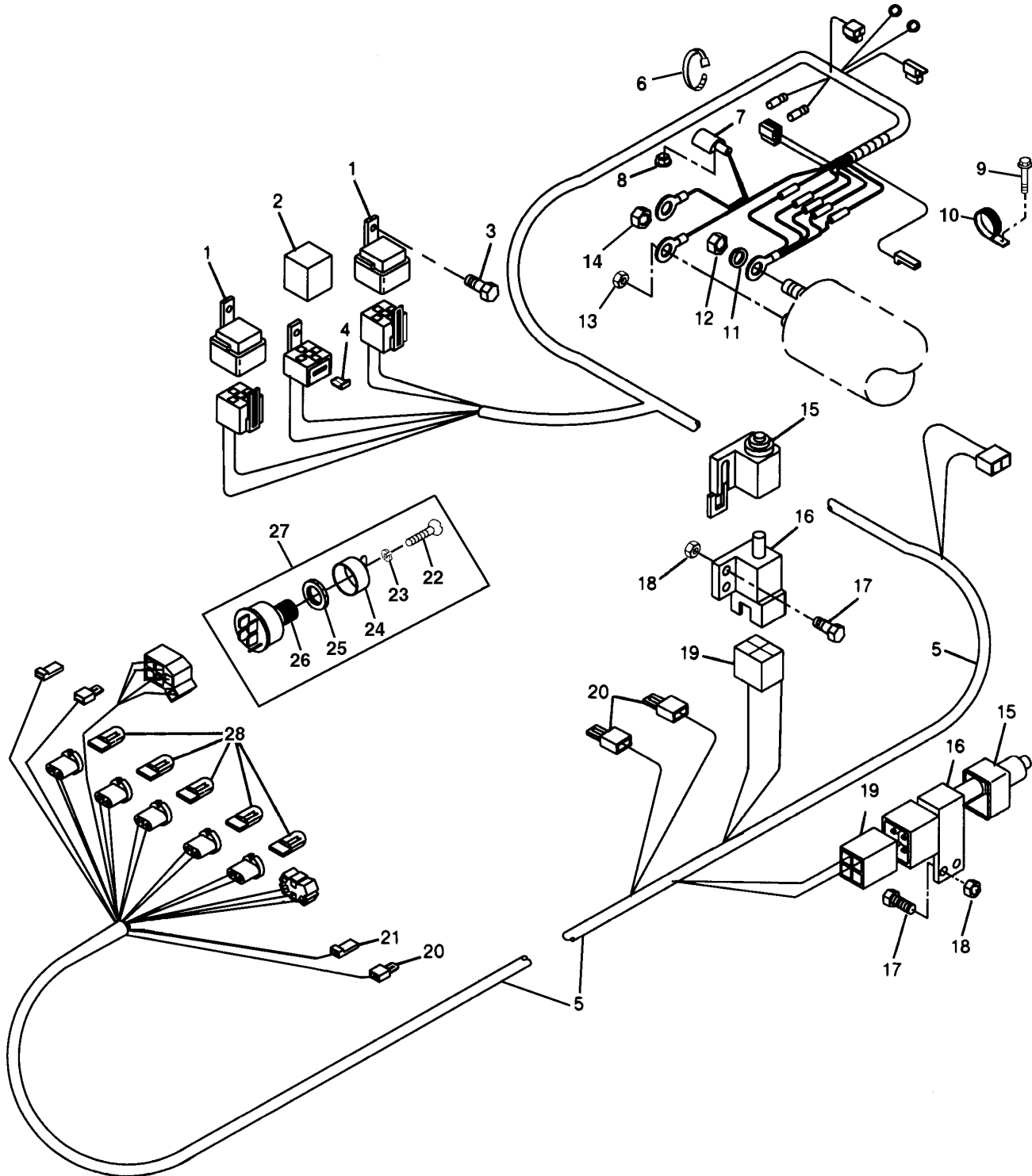
MEMORANDA

---

MEMORANDA

MP21341 -UN-14JUL99

MAIN WIRING HARNESS AND SWITCHES



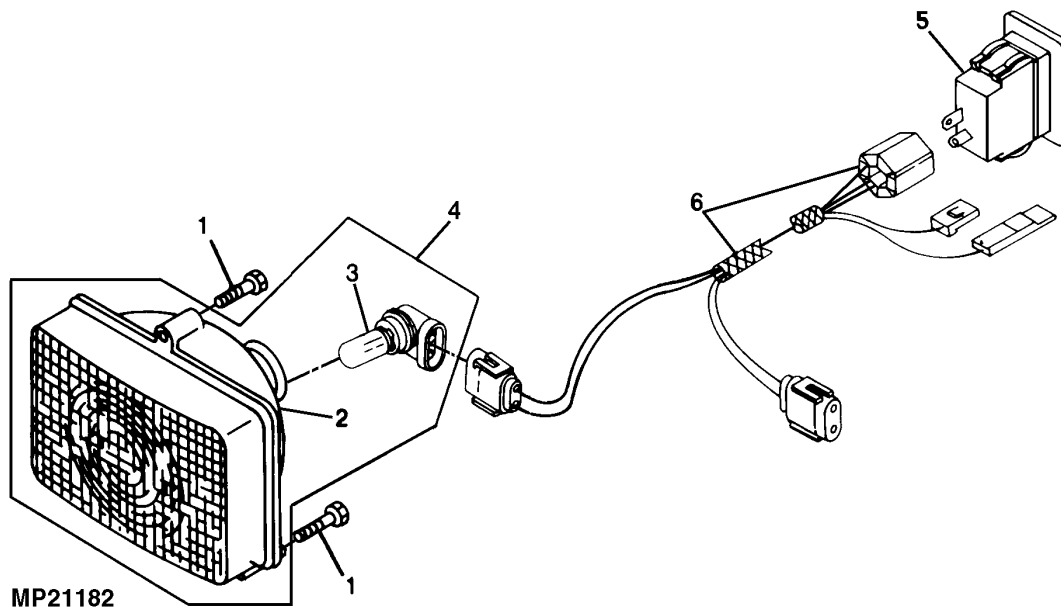
MP21341



| KEY | PART NO. | PART NAME                 | QTY | SERIAL NO.   | REMARKS |
|-----|----------|---------------------------|-----|--|---------|
| 1   | AT75769  | RELAY                     | 2   |  |         |
| 2   | AM100819 | MODULE                    | 1   |  |         |
| 3   | 37M7091  | SCREW                     | 3   | M6 X 25  |         |
| 4   | M75140   | CLIP                      | 1   |  |         |
| 5   | AM127194 | WIRING HARNESS            | 1   | (COMPLETE)   |         |
| 6   | H77698   | TIE BAND                  | 1   |  |         |
| 7   | M46449   | BOOT                      | 1   |  |         |
| 8   | 14M7397  | LOCK NUT                  | 1   | M6   |         |
| 9   | 19M7865  | SCREW                     | 1   | M8 X 16  |         |
| 10  | M45242   | CLIP                      | 1   |  |         |
| 11  | 12M7065  | LOCK WASHER               | 1   | 8.100 MM   |         |
| 12  | 14M7273  | NUT                       | 1   | M8   |         |
| 13  | 14M7298  | FLANGE NUT                | 1   | M8   |         |
| 14  | 14M7396  | LOCK NUT                  | 1   | M8   |         |
| 15  | M95345   | BOOT                      | 2   |  |         |
| 16  | AM128925 | SWITCH                    | 2   |  |         |
| 17  | 19M7373  | CAP SCREW                 | 2   | M5 X 20  |         |
| 18  | 14M7265  | LOCK NUT                  | 1   | M5   |         |
| 19  | T24167   | RECEPTACLE CONNECTOR BODY | 1   |  |         |
| 20  | T28585   | TAB CONNECTOR BODY        | 3   |  |         |
| 21  | T28583   | RECEPTACLE CONNECTOR BODY | 1   |  |         |
| 22  | .....    | SCREW                     | 1   |  |         |
| 23  | .....    | LOCK WASHER               | 1   |  |         |
| 24  | .....    | KNOB                      | 1   |  |         |
| 25  | .....    | NUT                       | 1   |  |         |
| 26  | .....    | SWITCH                    | 1   |  |         |
| 27  | .....    | SWITCH                    | 1   | IGNITION (COMPLETE) (SPECIAL ORDER THROUGH DEALER) |         |
| 28  | AR62407  | BULB                      | 5   |  |         |

MP21182 -UN-05MAY99

## HEADLIGHTS



| KEY | PART NO. | PART NAME      | QTY | SERIAL NO.   | REMARKS |
|-----|----------|----------------|-----|--------------|---------|
| 1   | M118263  | SCREW          | 6   |              |         |
| 2   | .....    | LENS           | 1   | NSEP         |         |
| 3   | AM118013 | BULB           | 1   | GE 894       |         |
| 4   | AM117670 | HEADLIGHT      | 2   |              |         |
| 5   | AM117324 | ROCKER SWITCH  | 1   | (2 CONTACTS) |         |
| 6   | AM117282 | WIRING HARNESS | 1   |              |         |

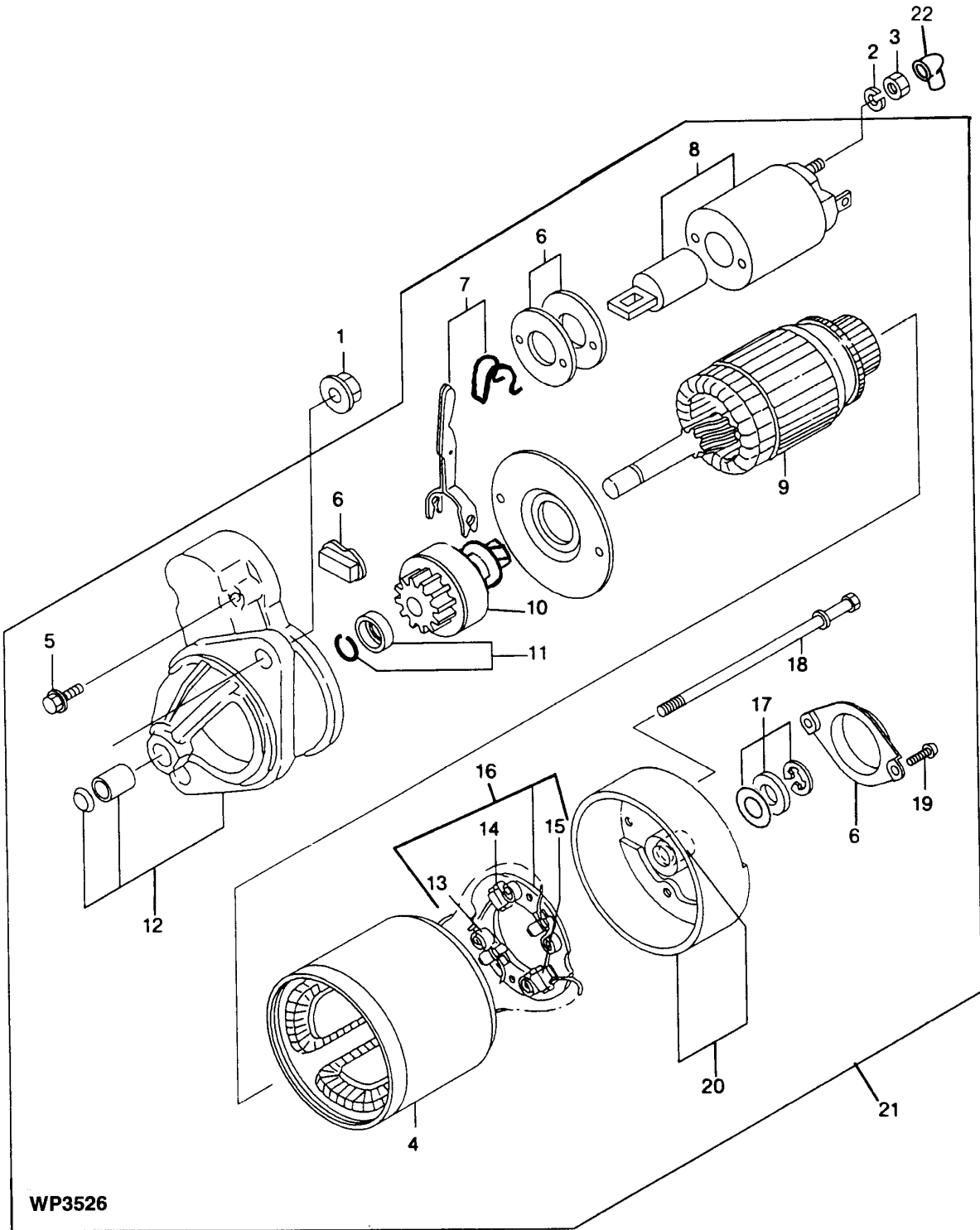
---

MEMORANDA

WP3526

-UN-15JAN96

STARTER



WP3526

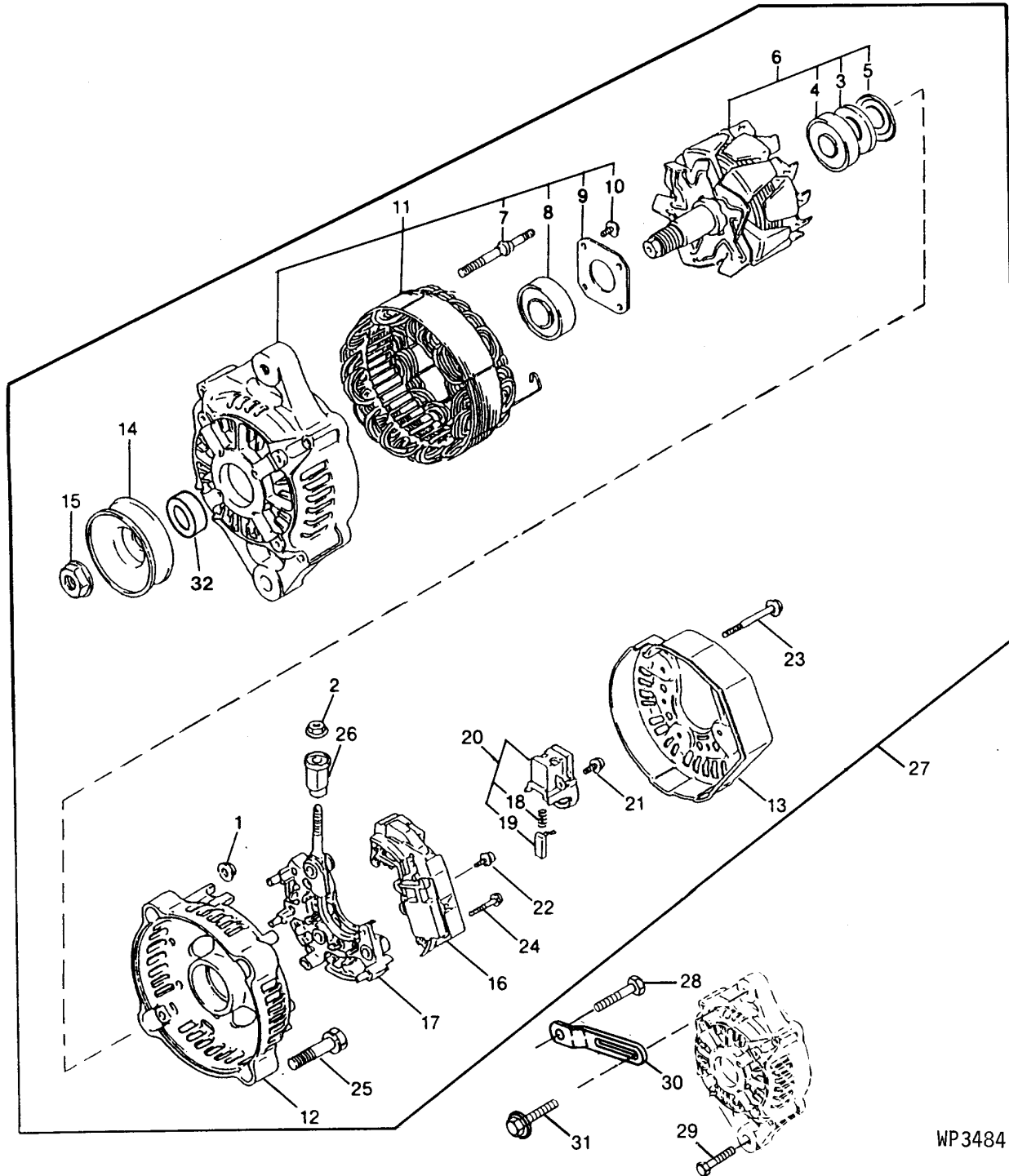
---

| KEY | PART NO. | PART NAME           | QTY | SERIAL NO. | REMARKS        |
|-----|----------|---------------------|-----|------------|----------------|
| 1   | M88031   | NUT                 | 2   |            |                |
| 2   | 12M7065  | LOCK WASHER         | 1   | 8.100 MM   |                |
| 3   | 14M7273  | NUT                 | 1   | M8         |                |
| 4   | M806779  | FIELD WINDING COIL  | 1   |            |                |
| 5   | M806783  | BOLT                | 2   |            |                |
| 6   | M806777  | KIT                 | 1   |            | DUST COVER     |
| 7   | M806770  | KIT                 | 1   |            | SHIFT LEVER    |
| 8   | M806781  | SWITCH              | 1   |            | SOLENOID       |
| 9   | M806771  | KIT                 | 1   |            | ARMATURE       |
| 10  | M806778  | KIT                 | 1   |            | PINION         |
| 11  | AM875045 | KIT                 | 1   |            | PINION STOPPER |
| 12  | M806780  | GEAR CASE           | 1   |            |                |
| 13  | M806776  | SPRING              | 4   |            |                |
| 14  | M806775  | BRUSH SET           | 1   |            | POSITIVE       |
| 15  | M806774  | BRUSH               | 2   |            | NEGATIVE       |
| 16  | M806773  | CARBON BRUSH HOLDER | 1   |            |                |
| 17  | AM875044 | KIT                 | 1   |            | THRUST WASHER  |
| 18  | M806782  | BOLT                | 2   |            |                |
| 19  | T110849  | SCREW, WITH WASHER  | 2   |            |                |
| 20  | M806772  | COVER               | 1   | REAR       |                |
| 21  | AM878176 | STARTER MOTOR       | 1   |            |                |
| 22  | CH10486  | COVER               | 1   |            |                |

WP3484

-UN-19FEB96

ALTERNATOR

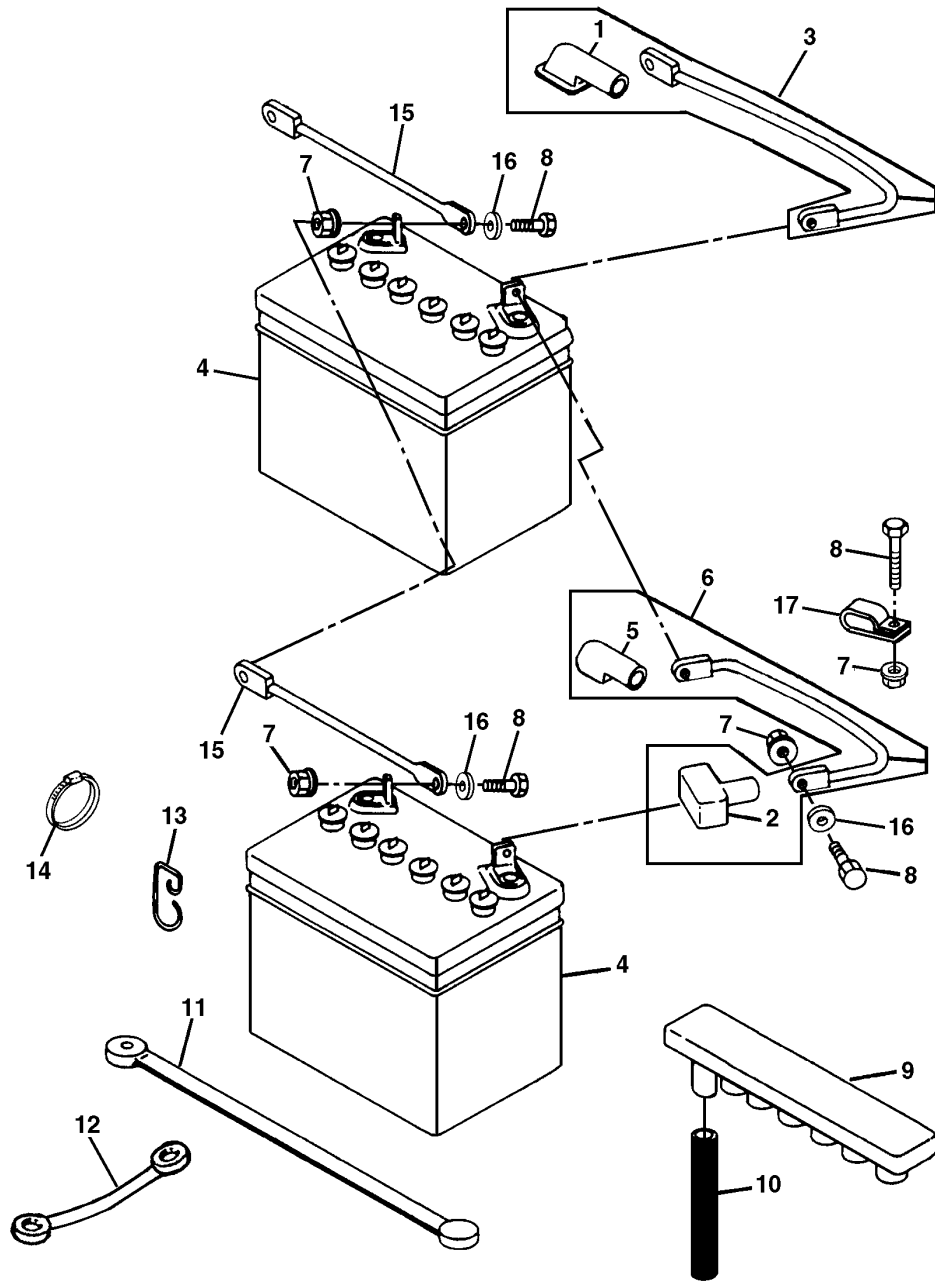


WP3484

| KEY | PART NO. | PART NAME          | QTY | SERIAL NO. | REMARKS                        |
|-----|----------|--------------------|-----|------------|--------------------------------|
| 1   | M805153  | NUT                | 2   |            |                                |
| 2   | M88124   | NUT                | 1   |            |                                |
| 3   | M805238  | THRUST WASHER      | 1   |            |                                |
| 4   | M805133  | BEARING            | 1   |            |                                |
| 5   | M805134  | COVER              | 1   |            |                                |
| 6   | AM877737 | ROTOR              | 1   |            |                                |
| 7   | .....    | STUD               | 2   |            |                                |
| 8   | .....    | BEARING            | 1   |            |                                |
| 9   | .....    | PLATE              | 1   |            |                                |
| 10  | .....    | SCREW              | 4   |            |                                |
| 11  | M806784  | FRAME              | 1   |            |                                |
| 12  | M805139  | FRAME              | 1   |            |                                |
| 13  | M805140  | COVER              | 1   |            |                                |
| 14  | M806785  | PULLEY             | 1   |            |                                |
| 15  | M806786  | NUT                | 1   |            |                                |
| 16  | M805143  | REGULATOR          | 1   |            |                                |
| 17  | M805144  | HOLDER             | 1   |            |                                |
| 18  | M805146  | SPRING             | 2   |            |                                |
| 19  | M805145  | BRUSH              | 2   |            |                                |
| 20  | AM877739 | HOLDER             | 1   |            |                                |
| 21  | M805147  | SCREW              | 6   |            |                                |
| 22  | M805148  | SCREW              | 1   |            |                                |
| 23  | M805149  | BOLT               | 3   |            |                                |
| 24  | M805150  | SCREW, WITH WASHER | 2   |            |                                |
| 25  | M805151  | BOLT               | 2   |            |                                |
| 26  | M805152  | BUSHING            | 1   |            |                                |
| 27  | AM877740 | ALTERNATOR         | 1   |            |                                |
| 28  | 19M7865  | SCREW              | 1   |            | M8 X 16 (HS, HEAD MARKED 10.9) |
| 29  | M805154  | BOLT               | 1   |            |                                |
| 30  | M806921  | ADJUSTER           | 1   |            |                                |
| 31  | 19M7897  | SCREW              | 1   |            | M8 X 35                        |
| 32  | M806787  | BUSHING            | 1   |            |                                |

MP21350 -UN-09SEP99

BATTERY



MP21350



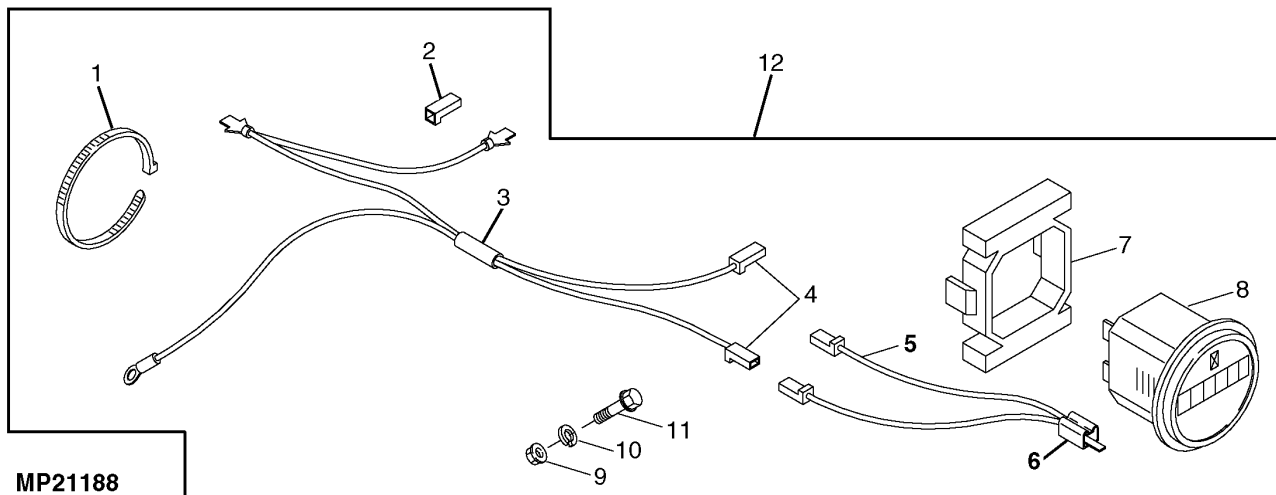
## ELECTRICAL

---

| KEY | PART NO.    | PART NAME    | QTY | SERIAL NO. | REMARKS                        |
|-----|-------------|--------------|-----|------------|--------------------------------|
| 1   | M46449      | BOOT         | 1   |            |                                |
| 2   | M95539      | BOOT         | 1   |            |                                |
| 3   | AM121451    | CABLE        | 1   |            | POSITIVE (TO STARTER SOLENOID) |
| 4   | TY6191      | BATTERY      | 2   |            |                                |
| 5   | M113475     | BOOT         | 1   |            |                                |
| 6   | AM128454    | CABLE        | 1   |            | POSITIVE                       |
| 7   | 14M7397     | LOCK NUT     | 5   |            | M6                             |
| 8   | 19M7862     | SCREW        | 5   |            | M6 X 20                        |
| 9   | AM106129    | CAP          | 2   |            | (INCLUDES LABEL)               |
| 10  | PMK010-0608 | HOSE         | AR  |            |                                |
| 11  | M119854     | STRAP        | 2   |            | BATTERY HOLDDOWN (RUBBER)      |
| 12  | AM103901    | STRAP        | 1   |            | GROUND                         |
| 13  | M89955      | HOOK         | 2   |            |                                |
| 14  | R44302      | TIE BAND     | 2   |            |                                |
| 15  | AM121422    | GROUND CABLE | 2   |            | NEGATIVE                       |
| 16  | 24H1287     | WASHER       | 4   |            | 9/32" X 5/8" X 0.065"          |
| 17  | M45242      | CLIP         | 1   |            |                                |

MP21188 -UN-07MAY99

## HOURMETER



MP21188

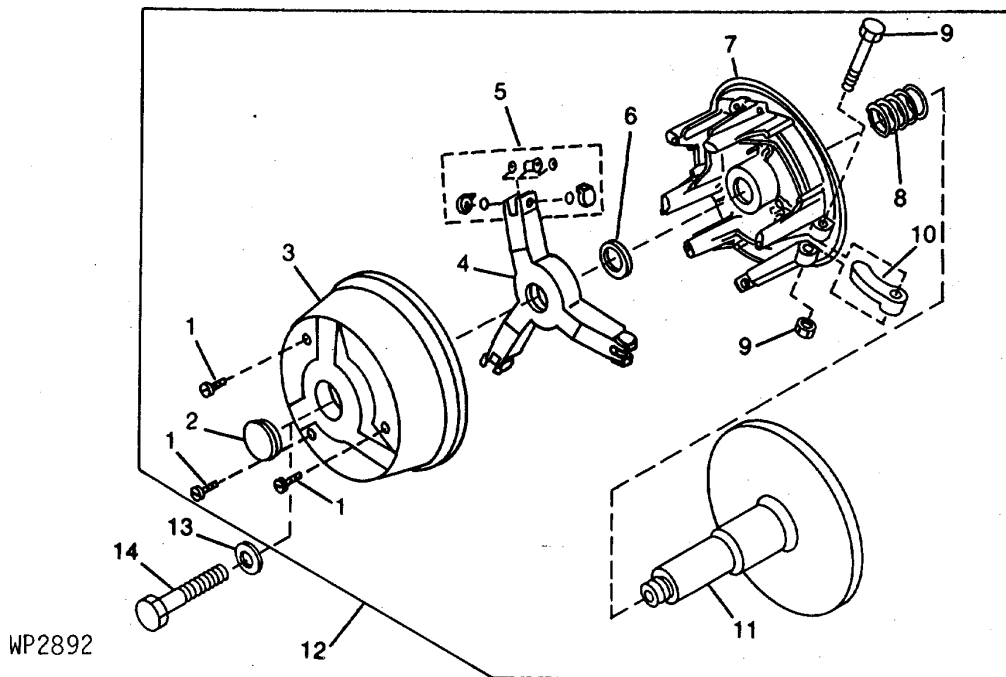
| KEY | PART NO. | PART NAME                 | QTY | SERIAL NO.                     | REMARKS |
|-----|----------|---------------------------|-----|--------------------------------|---------|
| 1   | H77698   | TIE BAND                  | 1   |                                |         |
| 2   | U46370   | CONNECTOR                 | 1   |                                |         |
| 3   | AM37023  | WIRING HARNESS            | 1   |                                |         |
| 4   | M43835   | FLAT CONNECTOR            | 2   |                                |         |
| 5   | AM103391 | WIRING HARNESS            | 1   |                                |         |
| 6   | T28583   | RECEPTACLE CONNECTOR BODY | 1   |                                |         |
| 7   | M121675  | CLIP                      | 1   |                                |         |
| 8   | AM125427 | HOUR METER                | 1   |                                |         |
| 9   | 14M7303  | FLANGE NUT                | 1   | M6                             |         |
| 10  | 12H356   | LOCK WASHER               | 1   | 1/4"                           |         |
| 11  | 19M7775  | SCREW                     | 1   | M6 X 16 (HS, HEAD MARKED 10.9) |         |
| 12  | AM103392 | KIT                       | 1   | HOURMETER                      |         |

---

MEMORANDA

WP2892 -UN-01JAN94

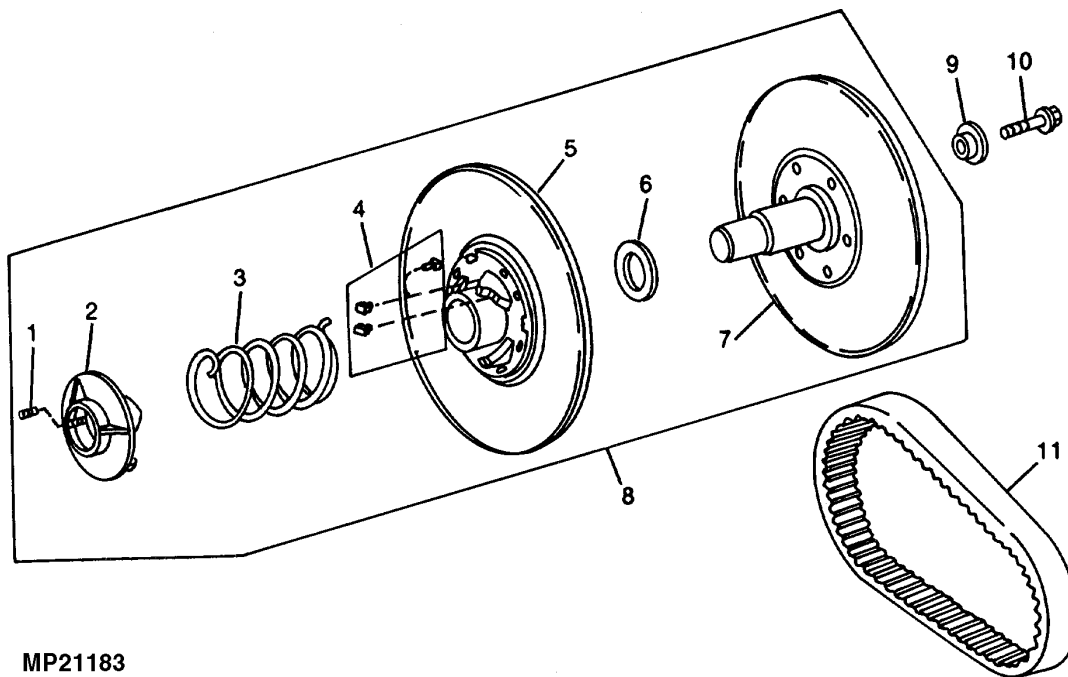
PRIMARY DRIVE SHEAVE



| KEY | PART NO. | PART NAME          | QTY | SERIAL NO.                             | REMARKS |
|-----|----------|--------------------|-----|--|---------|
| 1   | 37H51    | SCREW              | 3   | 1/4" X 1/2"                            |         |
| 2   | M118898  | PLUG               | 1   |  |         |
| 3   | M119422  | COVER              | 1   |  |         |
| 4   | .....    | SPIDER             | 1   | NSEP                                   |         |
| 5   | AM126175 | KIT                | 1   | (PKG OF 3 SETS OF ROLLERS AND BUTTONS) |         |
| 6   | .....    | WASHER             | 1   | NSEP                                   |         |
| 7   | .....    | HALF SHEAVE        | 1   | NSEP                                   |         |
| 8   | M140102  | COMPRESSION SPRING | 1   |  |         |
| 9   | AM122693 | KIT                | 1   | PIVOT BOLT (PKG 3)                     |         |
| 10  | AM129561 | KIT                | 1   | CAM ARM (PKG 3)                        |         |
| 11  | .....    | HALF SHEAVE        | 1   | NSEP                                   |         |
| 12  | AM129847 | CLUTCH             | 1   | DRIVE                                  |         |
| 13  | 24M7178  | WASHER             | 1   | 10.500 X 30 X 2.500 MM                 |         |
| 14  | 19M8343  | CAP SCREW          | 1   | M10 X 120                              |         |

MP21183 -UN-06MAY99

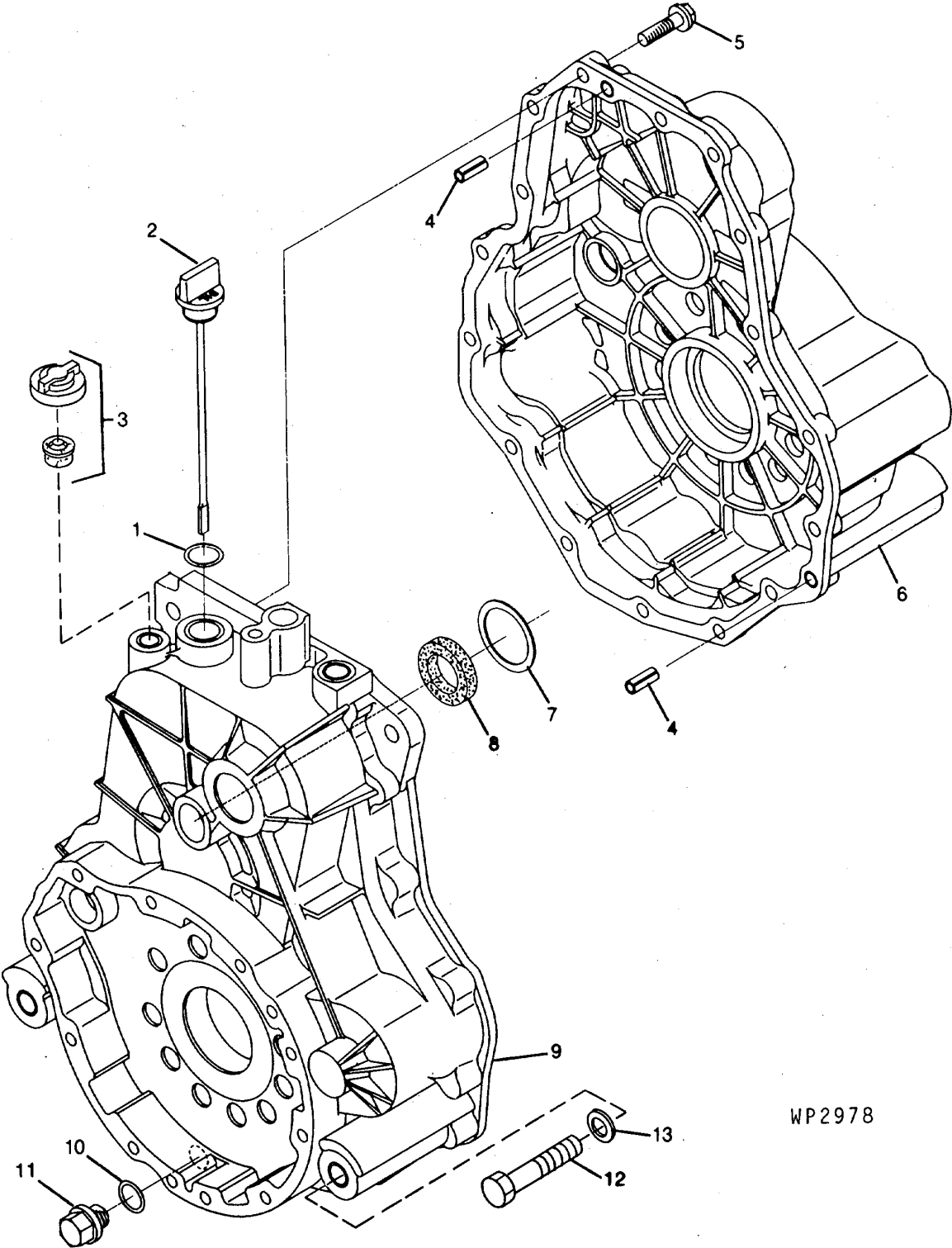
SECONDARY DRIVEN SHEAVE



MP21183

| KEY | PART NO. | PART NAME   | QTY | SERIAL NO. | REMARKS            |
|-----|----------|-------------|-----|------------|--------------------|
| 1   | 22H1061  | SET SCREW   | 1   |            | 1/4" X 1/2"        |
| 2   | .....    | CAM         | 1   |            |                    |
| 3   | M118899  | SPRING      | 1   |            |                    |
| 4   | AM128511 | KIT         | 1   |            | BUTTON (PKG 6)     |
| 5   | .....    | HALF SHEAVE | 1   |            |                    |
| 6   | .....    | WASHER      | 1   |            |                    |
| 7   | .....    | HALF SHEAVE | 1   |            |                    |
| 8   | AM128236 | CLUTCH      | 1   |            |                    |
| 9   | M128562  | BUSHING     | 1   |            | (8 MM)             |
| 10  | M128642  | CAP SCREW   | 1   |            | (8 MM) (LH THREAD) |
| 11  | M125383  | BELT        | 1   |            |                    |

TRANSAXLE HOUSING



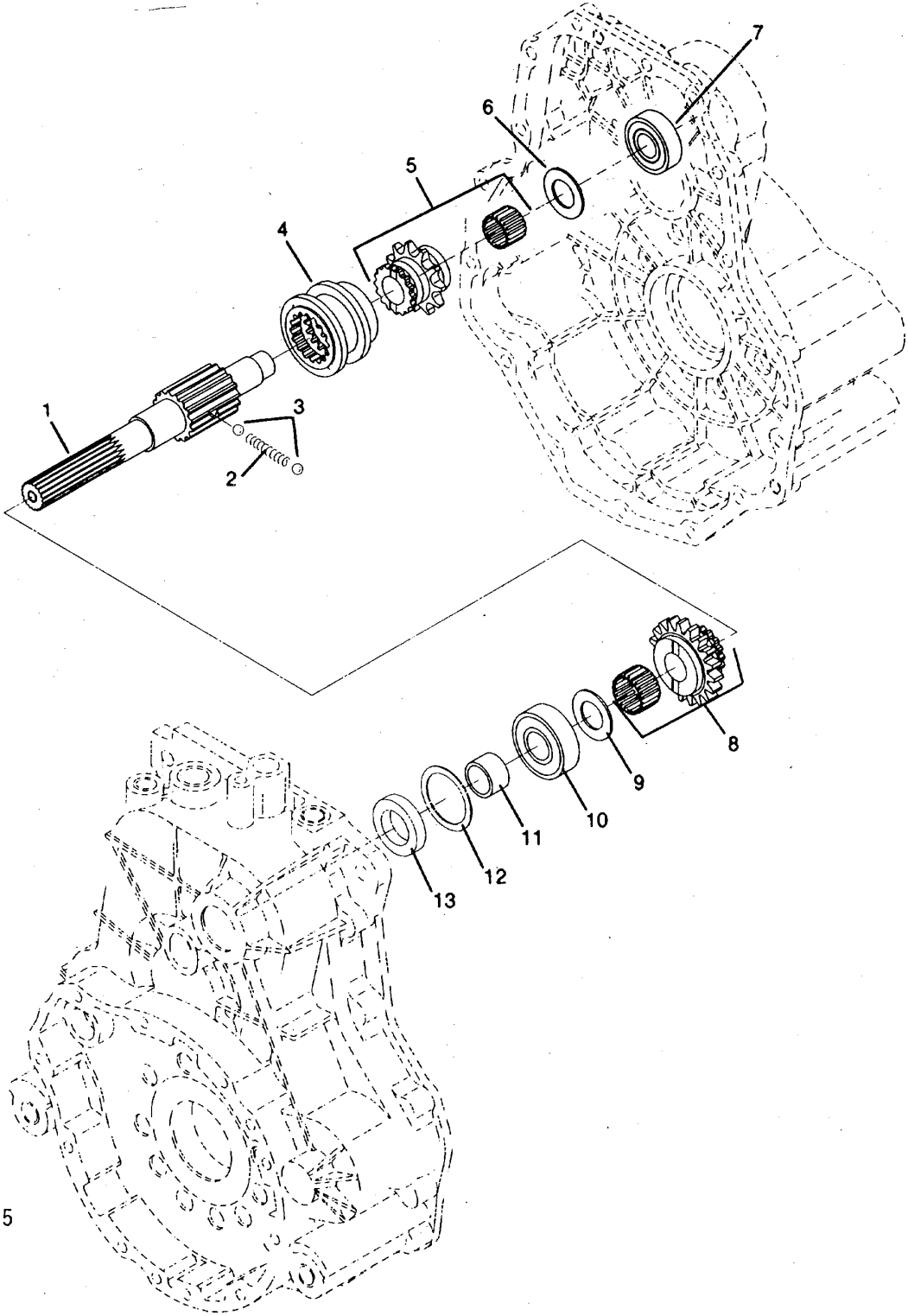
WP2978

## POWER TRAIN

| KEY | PART NO. | PART NAME     | QTY | SERIAL NO. | REMARKS                |
|-----|----------|---------------|-----|------------|------------------------|
| 1   | CH14634  | O-RING        | 1   |            |                        |
| 2   | M806592  | DIPSTICK      | 1   |            |                        |
| 3   | AM878422 | VALVE         | 1   |            |                        |
| 4   | CH14656  | SPRING PIN    | 2   |            | 25 X 40 X 8 MM         |
| 5   | R91159   | BOLT          | 16  |            | M8 X 30 (SELF-TAPPING) |
| 6   | M806308  | HOUSING       | 1   |            | RH                     |
| 7   | R92210   | THRUST WASHER | 1   |            | 36 X 45.5 X 1.2 MM     |
| 8   | M806400  | SEAL          | 1   |            | 25 X 40 X 8 MM         |
| 9   | M806309  | HOUSING       | 1   |            | LH                     |
| 10  | CH10570  | PACKING       | 1   |            |                        |
| 11  | CH11414  | PLUG          | 1   |            |                        |
| 12  | 19M7395  | CAP SCREW     | 4   |            | M16 X 40               |
| 13  | 24M7053  | WASHER        | 4   |            | 17 X 30 X 3 MM         |
| ..  | TY24344  | LIQUID GASKET | 1   |            | (3 OZ.)                |
| ..  | TY24345  | LIQUID GASKET | 1   |            |                        |
| ..  | AM125043 | TRANSMISSION  | 1   |            |                        |

WP2785 -UN-01JAN94

TRANSAXLE INPUT SHAFT



WP2785

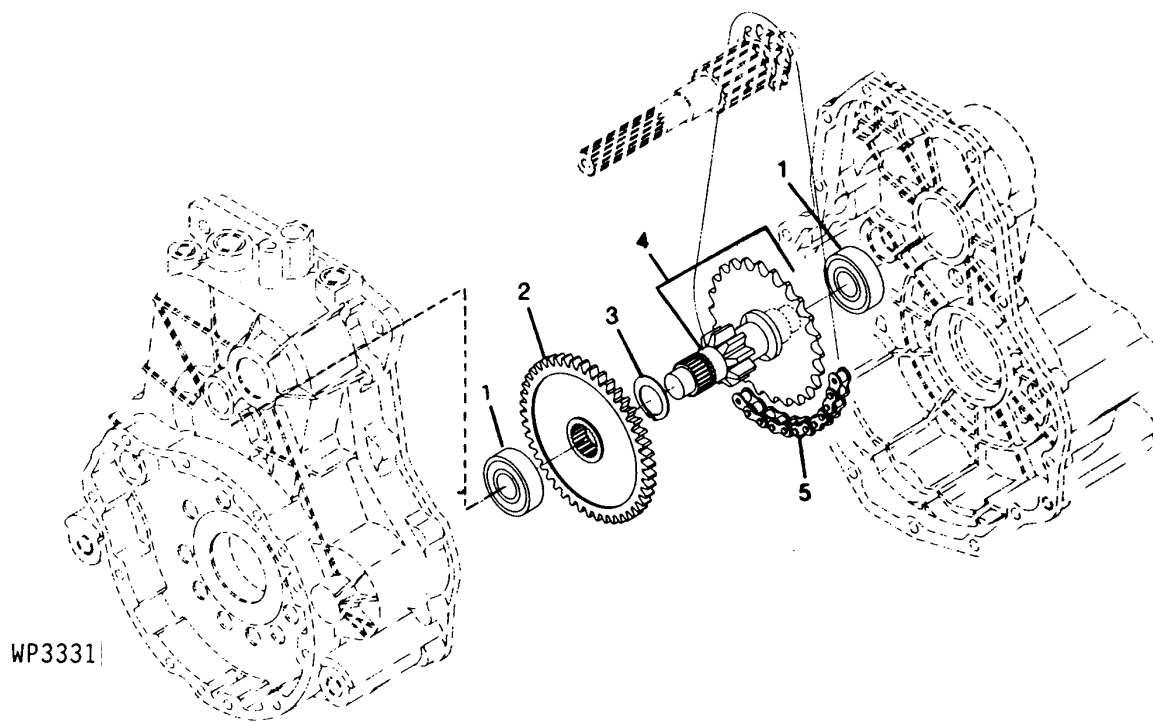


## POWER TRAIN

| KEY | PART NO. | PART NAME     | QTY | SERIAL NO. | REMARKS                                     |
|-----|----------|---------------|-----|------------|---|
| 1   | M807013  | SHAFT         | 1   |            |   |
| 2   | M806314  | SPRING        | 1   |            |   |
| 3   | 400R     | BALL          | 2   |            |   |
| 4   | M806593  | SHIFTER       | 1   |            |   |
| 5   | AM878455 | KIT           | 1   |            |   |
| 6   | M800593  | WASHER        | 1   |            | SPROCKET (Z=11)<br>17.2 X 30 X 1.5 MM       |
| 7   | M800496  | BALL BEARING  | 1   |            |   |
| 8   | AM878784 | KIT           | 1   |            |   |
| 9   | M806311  | WASHER        | 1   |            | GEAR (Z=19)<br>20 X 35 X 1.6 MM             |
| 10  | M805969  | BEARING       | 1   |            |   |
| 11  | M806721  | SLEEVE        | 1   |            | 20 X 25 X 13 MM                             |
| 12  | R92210   | THRUST WASHER | 1   |            | 36 X 45.5 X 1.2 MM                          |
| 13  | M806400  | SEAL          | 1   |            | 25 X 40 X 8 MM                              |
| ..  | AM125043 | TRANSMISSION  | 1   |            | (COMPLETE) (ALSO ORDER M128562 AND M128642) |

WP3331 -UN-11JAN95

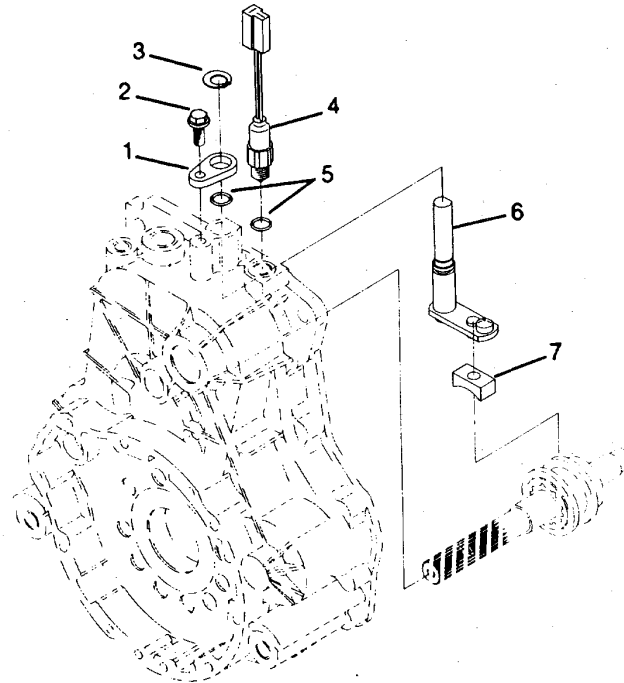
TRANSAXLE REDUCTION SHAFT



| KEY | PART NO. | PART NAME    | QTY | SERIAL NO. | REMARKS                                     |
|-----|----------|--------------|-----|------------|---|
| 1   | M805969  | BEARING      | 2   |            |   |
| 2   | M806705  | GEAR         | 1   | Z=46       |   |
| 3   | R91141   | RING         | 1   |            |   |
| 4   | AM878785 | SHAFT        | 1   | Z=9/27     |   |
| 5   | RE30527  | LINK CHAIN   | 1   |            |   |
| ..  | AM125043 | TRANSMISSION | 1   |            | (COMPLETE) (ALSO ORDER M128562 AND M128642) |

TRANSAXLE RANGE SHIFT

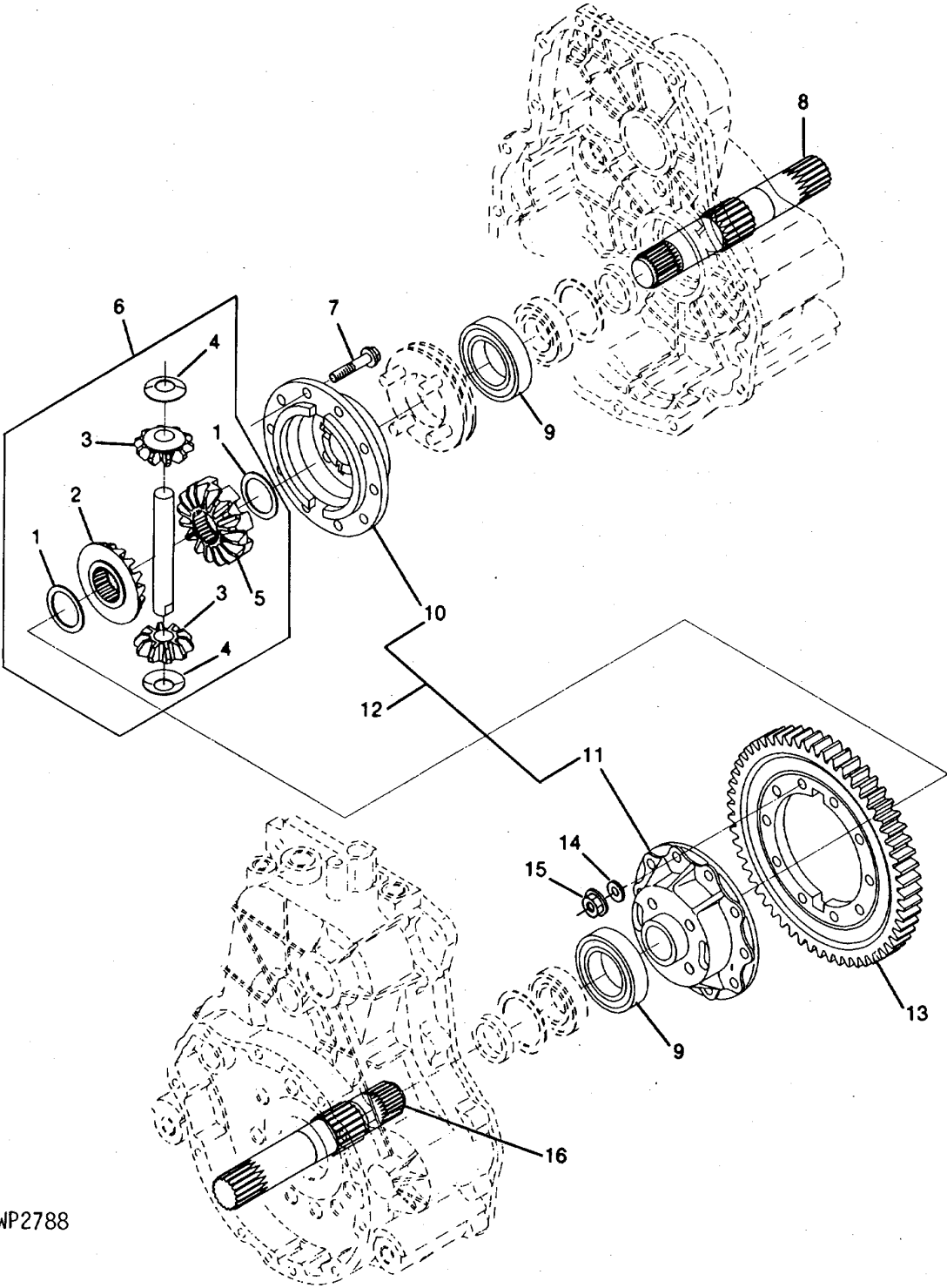
WP2787 -UN-01JAN94



WP2787

| KEY | PART NO. | PART NAME    | QTY | SERIAL NO. | REMARKS                                     |
|-----|----------|--------------|-----|------------|---|
| 1   | M806321  | PLATE        | 1   |            |   |
| 2   | R91144   | SCREW        | 1   |            | M8 X 20 (SELF-TAPPING)                      |
| 3   | CH15441  | RETAINER     | 1   |            |   |
| 4   | AM877735 | SWITCH       | 1   |            |   |
| 5   | CH14926  | PACKING      | 2   |            |   |
| 6   | M806320  | ARM          | 1   |            |   |
| 7   | M806322  | SHIFT COLLAR | 1   |            |   |
| ..  | AM125043 | TRANSMISSION | 1   |            | (COMPLETE) (ALSO ORDER M128562 AND M128642) |

DIFFERENTIAL GEAR, AXLE SHAFT AND LOCK ASSEMBLY



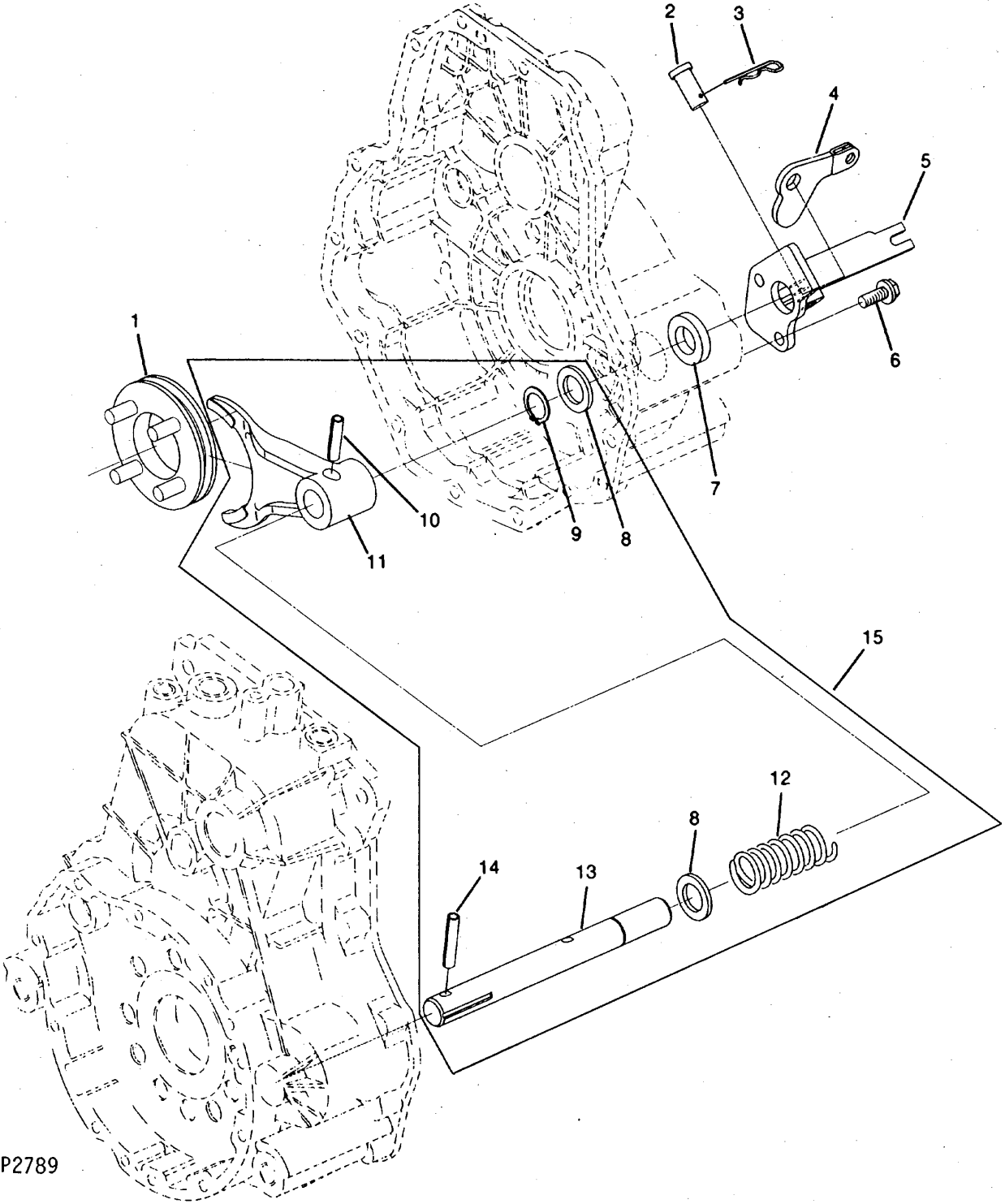
WP2788

## POWER TRAIN

| KEY | PART NO. | PART NAME    | QTY | SERIAL NO. | REMARKS                                     |
|-----|----------|--------------|-----|------------|---|
| 1   | M806326  | WASHER       | 2   |            |   |
| 2   | .....    | GEAR         | 1   |            |   |
| 3   | .....    | PINION       | 2   |            |   |
| 4   | M800576  | WASHER       | 2   |            |   |
| 5   | .....    | GEAR         | 1   |            |   |
| 6   | AM878457 | KIT          | 1   |            | DIFFERENTIAL GEAR                           |
| 7   | M89128   | BOLT         | 10  |            |   |
| 8   | M806594  | SHAFT        | 1   |            | RH  |
| 9   | CH14592  | BALL BEARING | 2   |            |   |
| 10  | .....    | GEAR CASE    | 1   |            |   |
| 11  | .....    | GEAR CASE    | 1   |            |   |
| 12  | AM878458 | KIT          | 1   |            | DIFFERENTIAL CASE                           |
| 13  | M806706  | GEAR         | 1   |            | Z=56  |
| 14  | 24M7095  | WASHER       | 10  |            | 8.400 X 15 X 1.600 MM                       |
| 15  | 14M7273  | NUT          | 10  |            | M8  |
| 16  | M806595  | SHAFT        | 1   |            | LH  |
| ..  | AM125043 | TRANSMISSION | 1   |            | (COMPLETE) (ALSO ORDER M128562 AND M128642) |

WP2789 -UN-01JAN94

TRANSAXLE DIFFERENTIAL LOCK SHAFT



WP2789

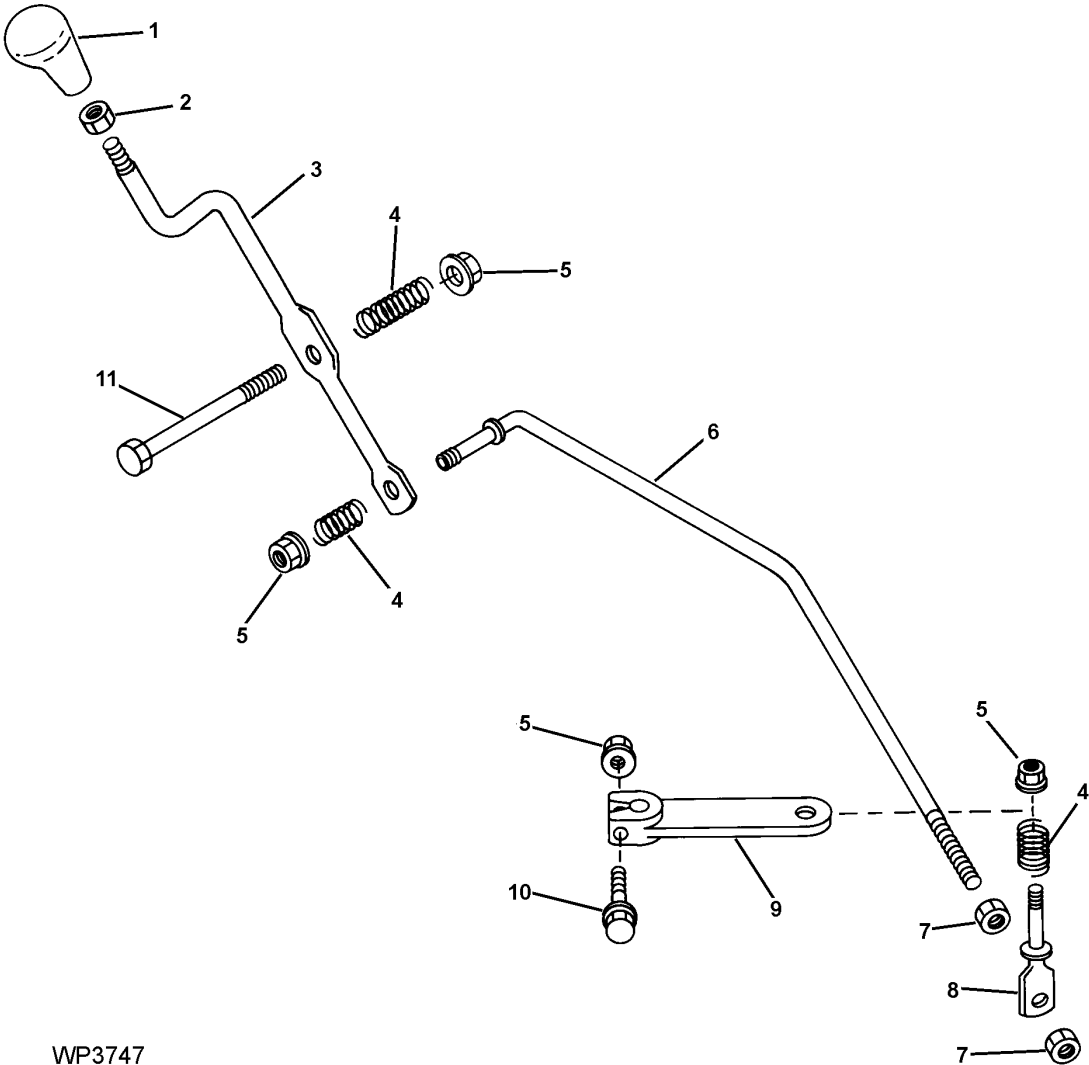
## POWER TRAIN

---

| KEY | PART NO. | PART NAME    | QTY | SERIAL NO. | REMARKS                |
|-----|----------|--------------|-----|------------|------------------------|
| 1   | M805276  | SHIFT COLLAR | 1   |            |                        |
| 2   | M806335  | PIN          | 1   |            |                        |
| 3   | CH11525  | PIN          | 1   |            |                        |
| 4   | M806333  | ARM          | 1   |            |                        |
| 5   | M806334  | BRACKET      | 1   |            |                        |
| 6   | R91144   | SCREW        | 2   |            | M8 X 20 (SELF-TAPPING) |
| 7   | M806329  | SEAL         | 1   |            | 20 X 35 X 7 MM         |
| 8   | CH15024  | WASHER       | 2   |            | 20 X 32 X 3.2 MM       |
| 9   | 40M7080  | SNAP RING    | 1   |            |                        |
| 10  | CH13851  | PIN          | 1   |            |                        |
| 11  | .....    | FORK         | 1   |            |                        |
| 12  | M806332  | SPRING       | 1   |            |                        |
| 13  | .....    | SHAFT        | 1   |            |                        |
| 14  | 34M7047  | SPRING PIN   | 1   |            | 8 X 40 MM              |
| 15  | AM878459 | KIT          | 1   |            | DIFFERENTIAL LOCK      |

SHIFT LINKAGE

WP3747 -UN-14JUL97



WP3747



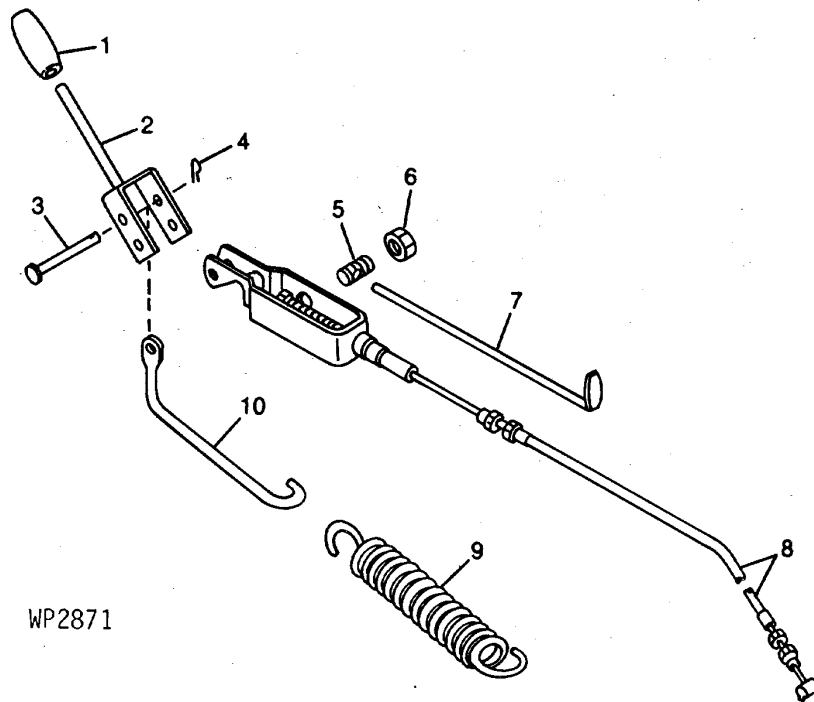
## POWER TRAIN

---

| KEY | PART NO. | PART NAME          | QTY | SERIAL NO. | REMARKS |
|-----|----------|--------------------|-----|------------|---------|
| 1   | M113632  | KNOB               | 1   |            |         |
| 2   | 14H732   | NUT                | 1   | 3/8"       |         |
| 3   | M114014  | LEVER              | 1   |            |         |
| 4   | M118688  | COMPRESSION SPRING | 3   |            |         |
| 5   | 14M7400  | LOCK NUT           | 4   | M10        |         |
| 6   | M114015  | SHIFTER ROD        | 1   |            |         |
| 7   | 14M7274  | NUT                | 2   | M10        |         |
| 8   | M118347  | ROD                | 1   |            |         |
| 9   | M114013  | LEVER              | 1   |            |         |
| 10  | 19M8162  | CAP SCREW          | 1   | M10 X 40   |         |
| 11  | 19M8003  | CAP SCREW          | 1   | M10 X 140  |         |

WP2871 -UN-01JAN94

DIFFERENTIAL LOCK LINKAGE



WP2871

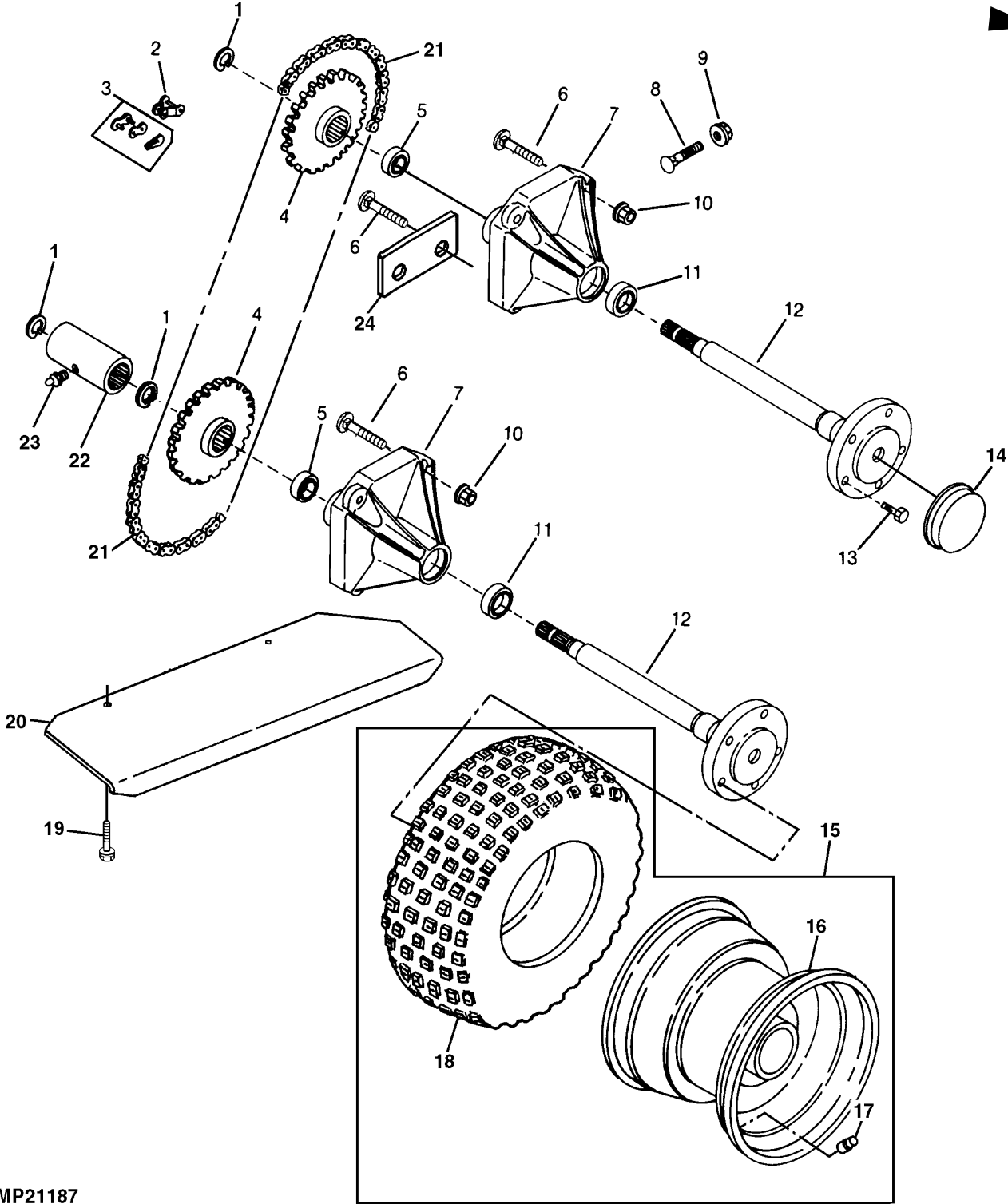
| KEY | PART NO. | PART NAME  | QTY | SERIAL NO. | REMARKS       |
|-----|----------|------------|-----|------------|---------------|
| 1   | M126723  | KNOB       | 1   |            |               |
| 2   | AM128652 | PIVOT      | 1   |            |               |
| 3   | 45M7047  | PIN        | 1   |            | 6 X 50 MM     |
| 4   | 11M7076  | COTTER PIN | 2   |            | 1.600 X 12 MM |
| 5   | M118538  | STUD       | 1   |            |               |
| 6   | 14M7260  | NUT        | 1   |            | M16           |
| 7   | M117667  | ROD        | 1   |            | DIFF SWITCH   |
| 8   | AM120830 | CONTROL    | 1   |            |               |
| 9   | M120361  | SPRING     | 1   |            |               |
| 10  | M117653  | ROD        | 1   |            | SHIFT         |

---

MEMORANDA

MP21187 -UN-19JUL99

REAR AXLE SHAFT AND HOUSING



MP21187

## POWER TRAIN

| KEY | PART NO.       | PART NAME           | QTY      | SERIAL NO. | REMARKS                          |
|-----|----------------|---------------------|----------|------------|----------------------------------|
| 1   | W33880         | SNAP RING           | 6        |            |                                  |
| 2   | P20352         | CHAIN LINK          | AR       |            |                                  |
| 3   | P20351         | CHAIN LINK          | AR       |            |                                  |
| 4   | AM121069       | CHAIN SPROCKET      | 4        |            |                                  |
| 5   | AM117980       | BALL BEARING        | 4        |            |                                  |
| 6   | 03M7127        | BOLT                | 16       | M12 X 40   |                                  |
| 7   | M113672        | HOUSING             | 4        |            |                                  |
| 8   | 03M7346        | BOLT                | 2        | M6 X 75    |                                  |
| 9   | 14M7397        | LOCK NUT            | 2        | M6         |                                  |
| 10  | 14M7299        | FLANGE NUT          | 16       | M12        |                                  |
| 11  | AM116934       | BALL BEARING        | 4        |            |                                  |
| 12  | M119715        | AXLE                | 4        |            |                                  |
| 13  | JD20           | WHEEL BOLT          | 20       |            |                                  |
| 14  | M123584        | CAP                 | 2        |            |                                  |
| 15  | <b>BM17807</b> | <b>KIT</b>          | <b>2</b> |            | <b>HD ALL-PURPOSE REAR TIRES</b> |
| 16  | AM116368       | RIM                 | 2        |            |                                  |
| 17  | AM30795        | TIRE VALVE STEM     | 2        |            |                                  |
| 18  | M118819        | TIRE                | 2        |            | HDAP, REAR                       |
| 19  | 37M7090        | SCREW               | 10       | M6 X 16    |                                  |
| 20  | M139646        | GUARD               | 1        |            | RH CHAIN                         |
|     | M139647        | GUARD               | 1        |            | LH CHAIN                         |
| 21  | AM128449       | ROLLER CHAIN        | 2        |            |                                  |
| 22  | M119716        | SLEEVE              | 2        |            |                                  |
| 23  | JD7844         | LUBRICATION FITTING | 2        |            |                                  |
| 24  | M140367        | PLATE               | 2        |            |                                  |

---

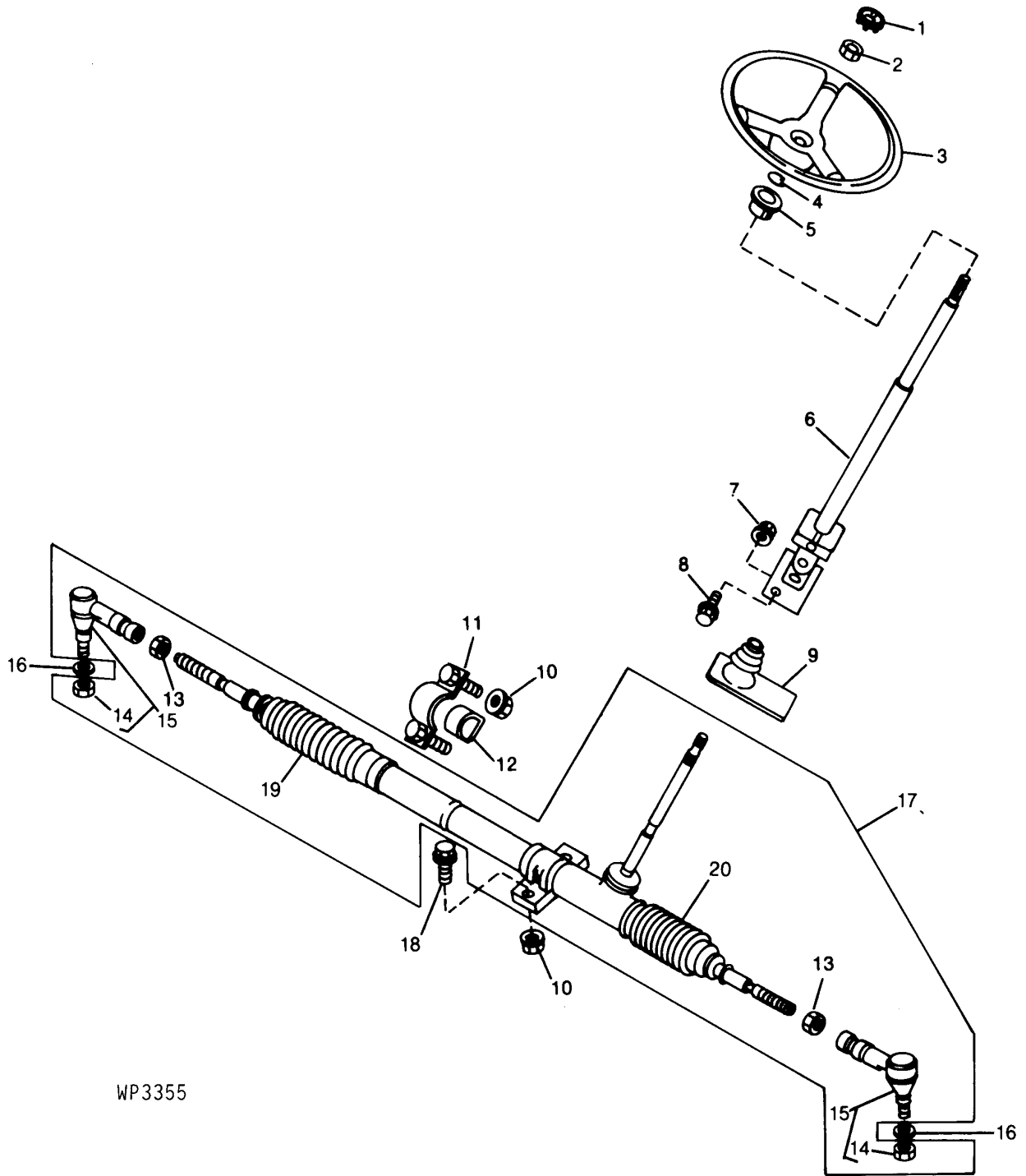
MEMORANDA

---

MEMORANDA

WP3355 -UN-12DEC94

STEERING WHEEL



WP3355

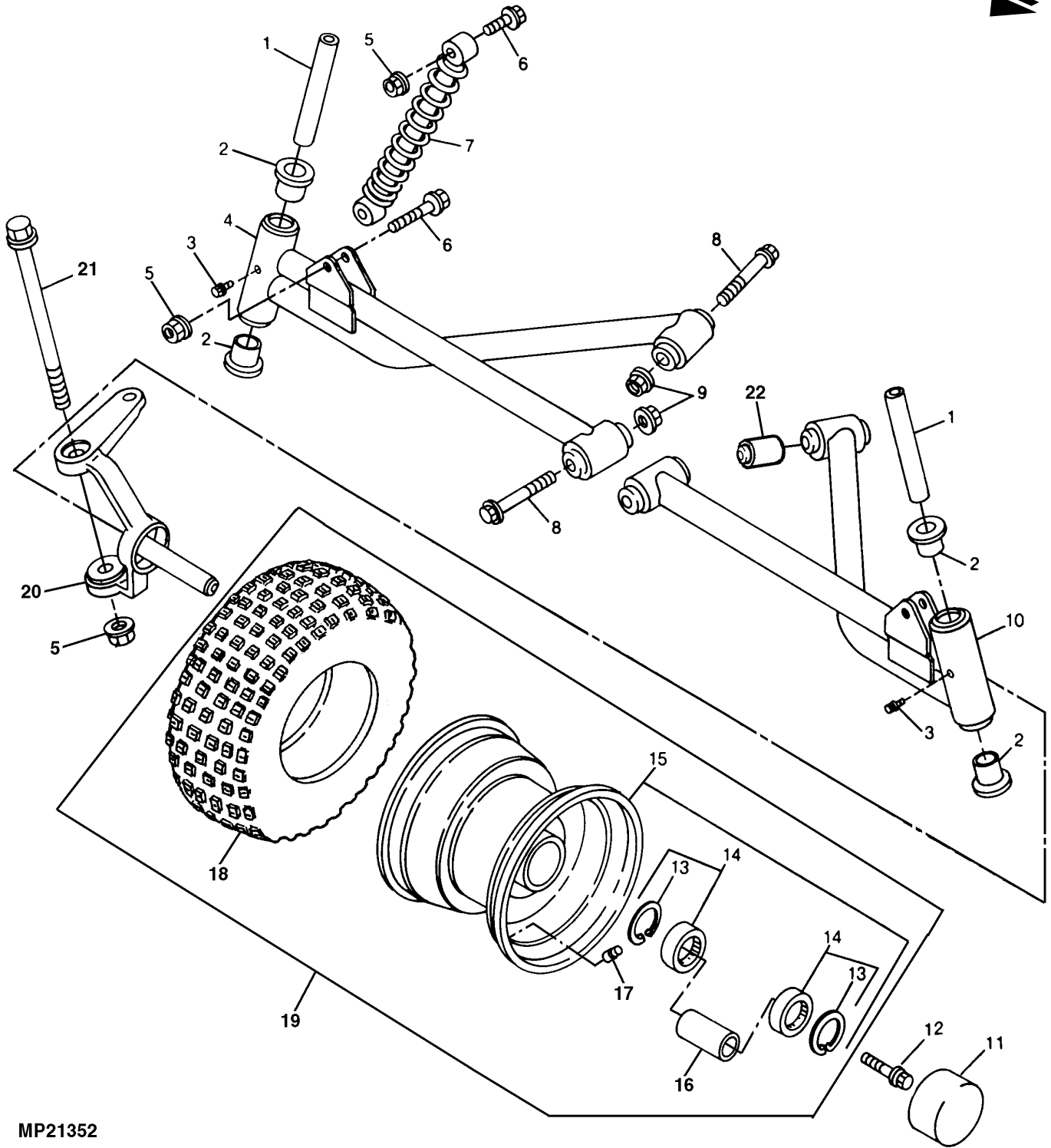


STEERING AND BRAKES

| KEY | PART NO. | PART NAME      | QTY | SERIAL NO.                      | REMARKS |
|-----|----------|----------------|-----|---------------------------------|---------|
| 1   | AM103066 | CAP            | 1   |                                 |         |
| 2   | 14M7260  | NUT            | 1   | M16                             |         |
| 3   | M71094   | STEERING WHEEL | 1   |                                 |         |
| 4   | M40514   | SNAP RING      | 1   |                                 |         |
| 5   | M81463   | BUSHING        | 1   |                                 |         |
| 6   | AM127637 | STEERING SHAFT | 1   |                                 |         |
| 7   | M82222   | LOCK NUT       | 1   | M10                             |         |
| 8   | 19M7835  | SCREW          | 1   | M10 X 35 (HS, HEAD MARKED 10.9) |         |
| 9   | M117027  | BOOT           | 1   |                                 |         |
| 10  | 14M7400  | LOCK NUT       | 4   | M10                             |         |
| 11  | AM117891 | CLAMP          | 1   |                                 |         |
| 12  | M117145  | GROMMET        | 1   |                                 |         |
| 13  | 14M7156  | NUT            | 2   | M14                             |         |
| 14  | 14M7325  | LOCK NUT       | 2   | M12                             |         |
| 15  | AM121758 | TIE ROD END    | 2   |                                 |         |
| 16  | 24H1254  | WASHER         | 2   | 17/32" X 1-1/8" X 0.105"        |         |
| 17  | AM117778 | RACK           | 1   |                                 |         |
| 18  | 19M8162  | CAP SCREW      | 2   | M10 X 40 (HS, HEAD MARKED 10.9) |         |
| 19  | AM120280 | BOOT           | 1   | RH (INCLUDES TIE STRAPS)        |         |
| 20  | AM120281 | BOOT           | 1   | LH (INCLUDES TIE STRAPS)        |         |

MP21352 -UN-14JUL99

FRONT AXLE



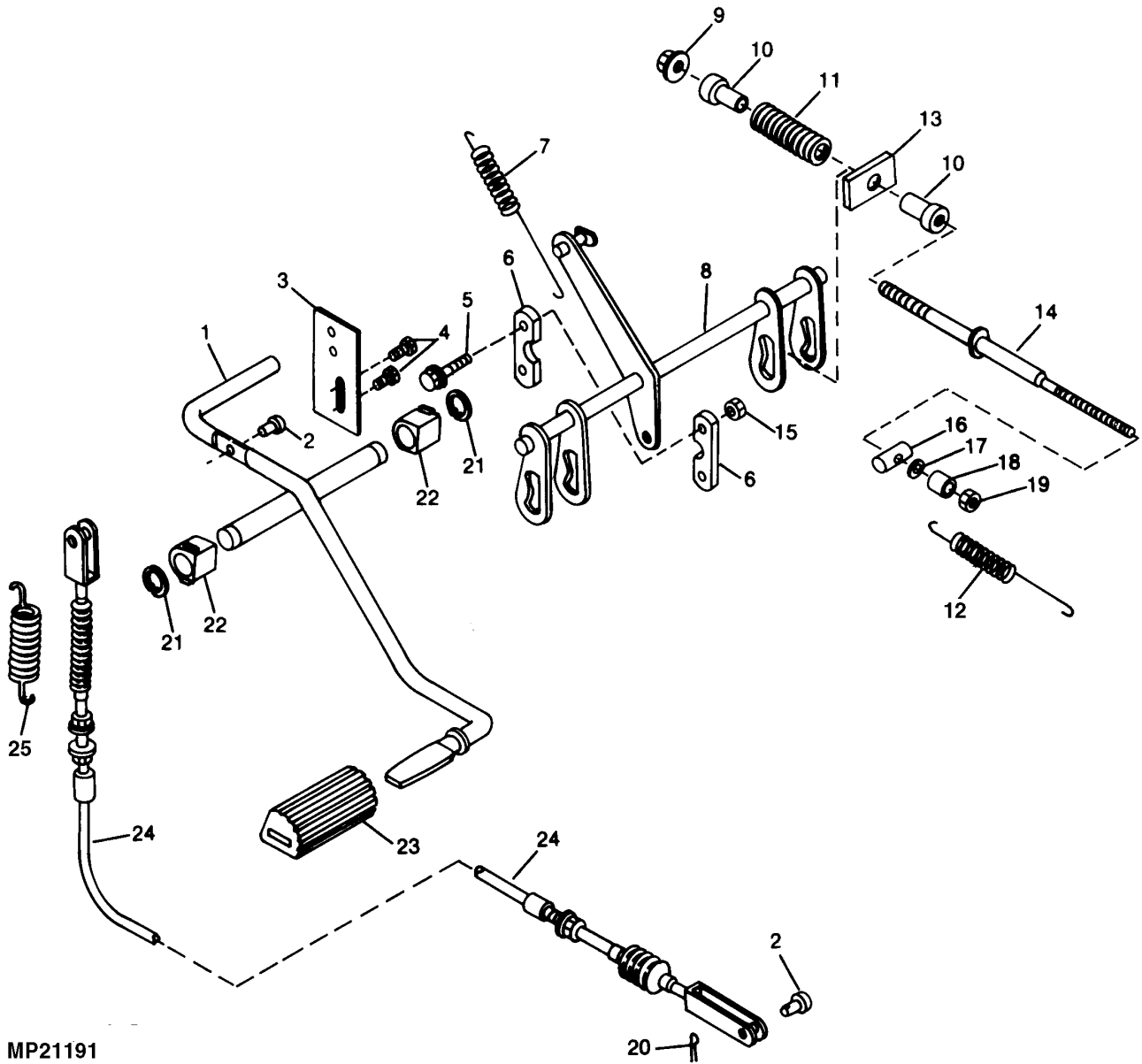
MP21352

STEERING AND BRAKES

| KEY       | PART NO.       | PART NAME           | QTY      | SERIAL NO. | REMARKS                            |
|-----------|----------------|---------------------|----------|------------|------------------------------------|
| 1         | M120172        | KINGPIN             | 2        |            |                                    |
| 2         | M83541         | BUSHING             | 4        |            |                                    |
| 3         | JD7844         | LUBRICATION FITTING | 2        |            |                                    |
| 4         | AM128162       | ARM                 | 1        |            | RH                                 |
| 5         | 14M7400        | LOCK NUT            | 6        |            | M10                                |
| 6         | 19M8162        | CAP SCREW           | 4        |            | M10 X 40 (HS, HEAD MARKED 10.9)    |
| 7         | AM129514       | ABSORBER            | 2        |            |                                    |
| 8         | 19M7943        | CAP SCREW           | 4        |            | M12 X 90                           |
| 9         | 14M7401        | LOCK NUT            | 4        |            | M12                                |
| 10        | AM128163       | ARM                 | 1        |            | LH                                 |
| 11        | M113879        | HUB                 | 2        |            |                                    |
| 12        | 19M7793        | SCREW               | 2        |            | M16 X 40 (HS, HEAD MARKED 10.9)    |
| 13        | .....          | SNAP RING           | 4        |            |                                    |
| 14        | AM102888       | BALL BEARING        | 2        |            |                                    |
| 15        | AM116369       | WHEEL               | 2        |            |                                    |
| 16        | M120536        | SPACER              | 2        |            |                                    |
| 17        | AM30795        | TIRE VALVE STEM     | 2        |            | RH                                 |
| 18        | M138664        | TIRE                | 2        |            | HD ALL-PURPOSE 22.5 X 10 X 8       |
| <b>19</b> | <b>BM19877</b> | <b>KIT</b>          | <b>1</b> |            | <b>FRONT TIRE - HD ALL-PURPOSE</b> |
| 20        | M116224        | SPINDLE             | 1        |            | RH                                 |
|           | M116225        | SPINDLE             | 1        |            | LH                                 |
| 21        | 19M8598        | SCREW               | 2        |            | M10 X 170 (HS, HEAD MARKED 10.9)   |
| 22        | AM117777       | BUSHING             | 4        |            |                                    |

MP21191 -UN-07MAY99

BRAKE PEDAL AND LINKAGE



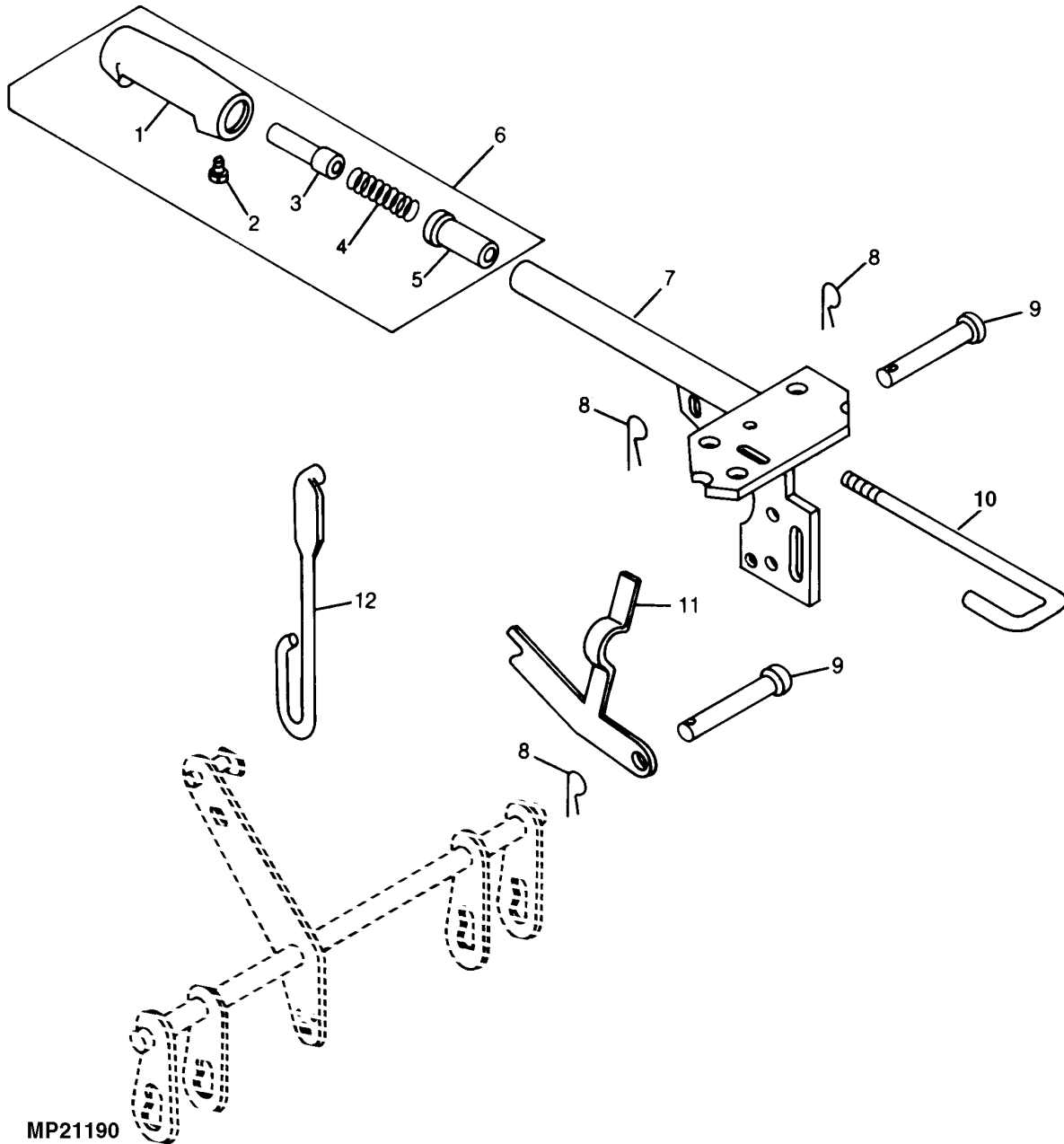
MP21191

STEERING AND BRAKES

| KEY | PART NO. | PART NAME          | QTY | SERIAL NO.             | REMARKS |
|-----|----------|--------------------|-----|------------------------|---------|
| 1   | AM128650 | PEDAL              | 1   |                        |         |
| 2   | U11004   | PIN                | 2   |                        |         |
| 3   | M120606  | BRACKET            | 1   |                        |         |
| 4   | N10218   | SCREW              | 2   |                        |         |
| 5   | 37M7102  | SCREW              | 4   | M8 X 40                |         |
| 6   | M115864  | BEARING            | 4   |                        |         |
| 7   | M120361  | SPRING             | 1   |                        |         |
| 8   | AM128651 | SHAFT              | 1   |                        |         |
| 9   | 14M7400  | LOCK NUT           | 2   | M10                    |         |
| 10  | M119397  | SPACER             | 4   |                        |         |
| 11  | M117004  | COMPRESSION SPRING | 2   |                        |         |
| 12  | M87268   | EXTENSION SPRING   | 2   |                        |         |
| 13  | M117829  | STRAP              | 2   |                        |         |
| 14  | M114108  | ROD                | 2   |                        |         |
| 15  | 14M7396  | LOCK NUT           | 4   | M8                     |         |
| 16  | M117051  | PIN                | 2   |                        |         |
| 17  | 24H1292  | WASHER             | 2   | 11/32" X 3/4" X 0.120" |         |
| 18  | M112442  | BUSHING            | 2   | 8 X 12.6 X 18.6 MM     |         |
| 19  | 14M7273  | NUT                | 2   | M8                     |         |
| 20  | 11M7015  | COTTER PIN         | 1   | 3.200 X 25 MM          |         |
| 21  | M40514   | SNAP RING          | 2   |                        |         |
| 22  | M81214   | BEARING            | 2   |                        |         |
| 23  | M113027  | PAD                | 1   |                        |         |
| 24  | AM128303 | CONTROL            | 1   |                        |         |
| 25  | M75239   | EXTENSION SPRING   | 1   |                        |         |

MP21190 -UN-07MAY99

PARK BRAKE



MP21190

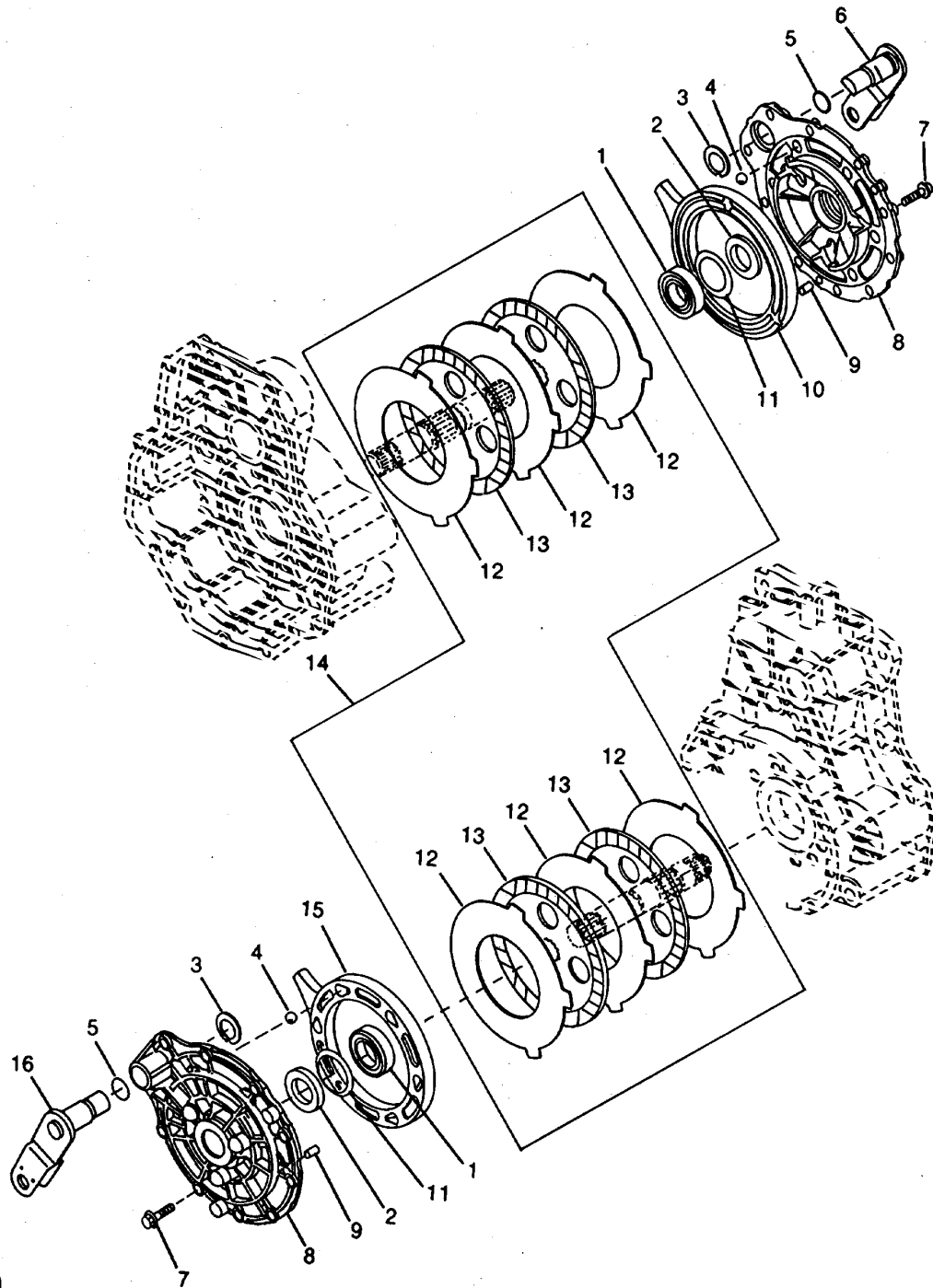
STEERING AND BRAKES

| KEY | PART NO. | PART NAME          | QTY | SERIAL NO. | REMARKS       |
|-----|----------|--------------------|-----|------------|---------------|
| 1   | M110368  | GRIP               | 1   |            |               |
| 2   | 22H926   | SET SCREW          | 1   |            |               |
| 3   | M110369  | PUSH BUTTON        | 1   |            | 1/4" X 1/2"   |
| 4   | M111088  | COMPRESSION SPRING | 1   |            |               |
| 5   | M110975  | RETAINER           | 1   |            |               |
| 6   | AM115703 | KIT                | 1   |            |               |
| 7   | AM116439 | HANDBRAKE LEVER    | 1   |            |               |
| 8   | 11M7015  | COTTER PIN         | 2   |            | 3.200 X 25 MM |
| 9   | M117096  | PIN                | 2   |            |               |
| 10  | M115938  | ROD                | 1   |            |               |
| 11  | M122970  | PAWL               | 1   |            |               |
| 12  | M114178  | ROD                | 1   |            |               |

WP2790

-UN-01JAN94

BRAKES



WP2790



STEERING AND BRAKES

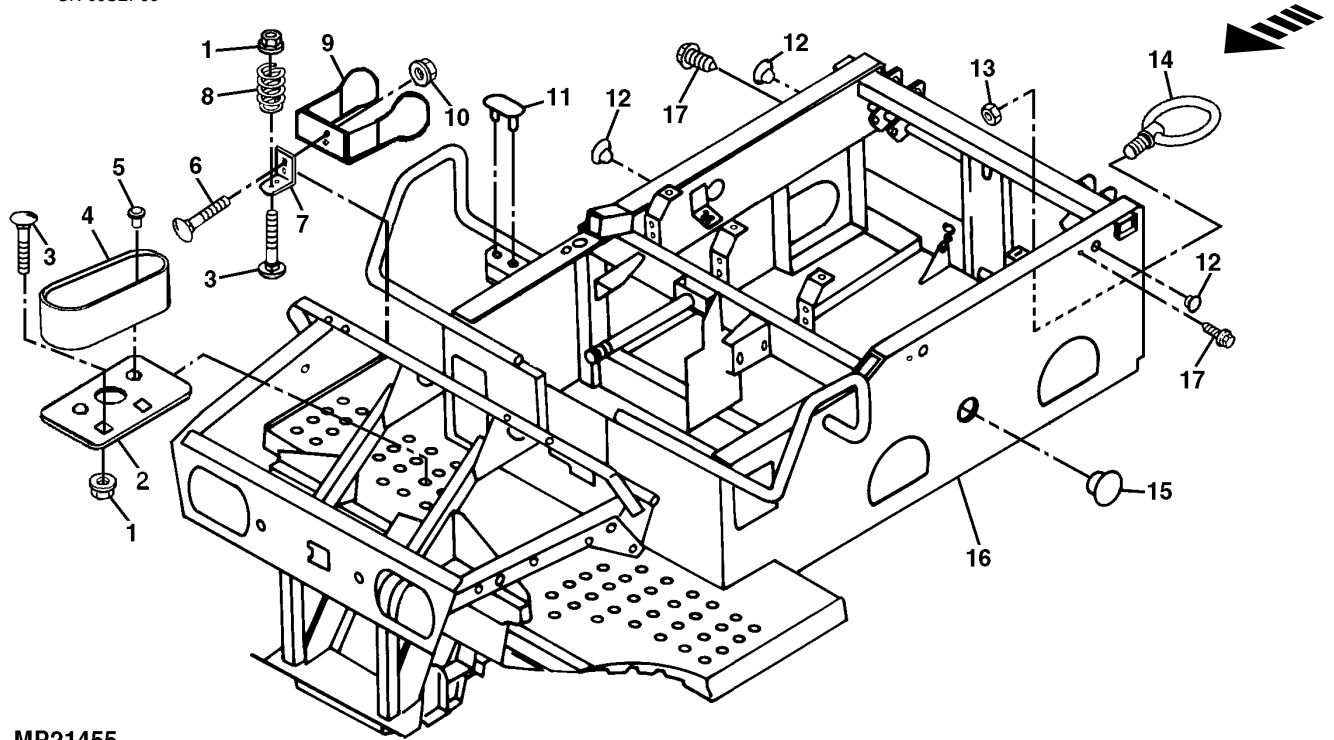
| KEY | PART NO. | PART NAME     | QTY | SERIAL NO. | REMARKS                |
|-----|----------|---------------|-----|------------|------------------------|
| 1   | CH13505  | BALL BEARING  | 2   |            |                        |
| 2   | M800448  | SEAL          | 2   |            |                        |
| 3   | CH11481  | RING          | 2   |            | 30 X 47 X 8 MM         |
| 4   | CH17524  | BALL          | 12  |            |                        |
| 5   | CH14583  | PACKING       | 2   |            |                        |
| 6   | AM878968 | LEVER         | 1   |            | RH                     |
| 7   | R91159   | BOLT          | 20  |            | M8 X 30 (SELF-TAPPING) |
| 8   | M806340  | COVER         | 2   |            |                        |
| 9   | CH10534  | PIN           | 4   |            |                        |
| 10  | M806342  | ACTUATOR      | 1   |            | RH                     |
| 11  | M806344  | WASHER        | 2   |            |                        |
| 12  | .....    | PLATE         | 6   |            |                        |
| 13  | .....    | BRAKE DISK    | 4   |            |                        |
| 14  | AM878460 | KIT           | 1   |            | PLATE                  |
| 15  | M806341  | ACTUATOR      | 1   |            | LH                     |
| 16  | AM878969 | LEVER         | 1   |            | LH                     |
| ..  | TY24344  | LIQUID GASKET | 1   |            | (3 OZ.)                |
| ..  | TY24345  | LIQUID GASKET | 1   |            |                        |

---

MEMORANDA

MP21455 -UN-09SEP99

FRAME

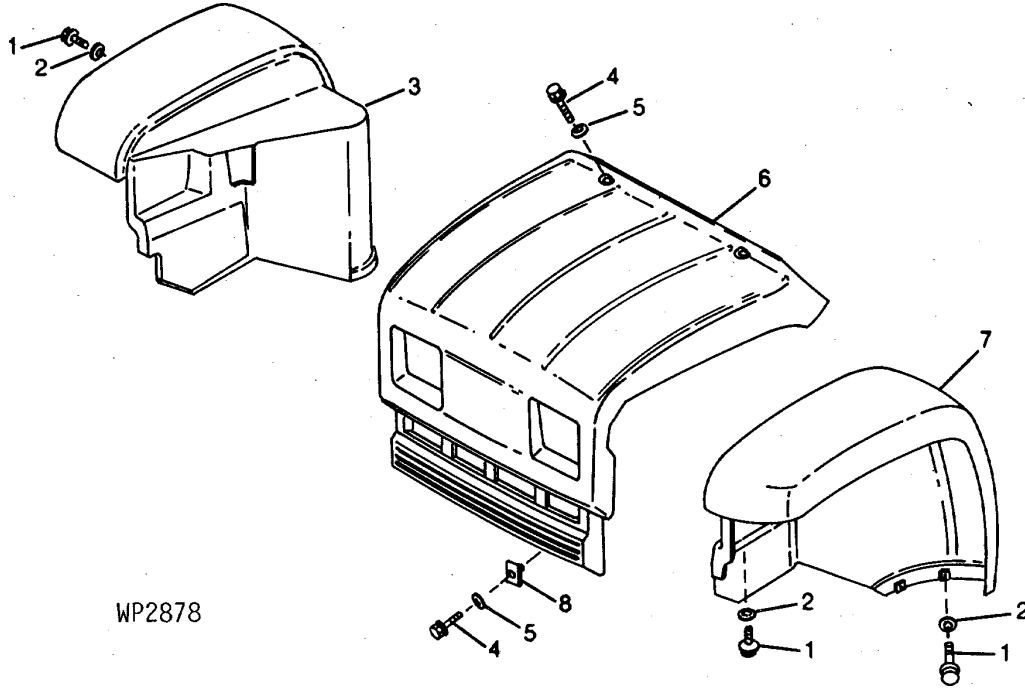


MP21455

| KEY | PART NO. | PART NAME | QTY | SERIAL NO.   | REMARKS |
|-----|----------|-----------|-----|--------------|---------|
| 1   | 14M7396  | LOCK NUT  | 3   | M8           |         |
| 2   | M139675  | PLATE     | 1   | RIFLE BOOT   |         |
| 3   | 03M7185  | BOLT      | 3   | M8 X 25      |         |
| 4   | M139654  | HOLDER    | 1   | RIFLE BUTT   |         |
| 5   | R55326   | RIVET     | 2   |              |         |
| 6   | 03M7221  | BOLT      | 2   | M6 X 16      |         |
| 7   | M139625  | RAIL      | 1   | ANGLE        |         |
| 8   | M18937   | SPRING    | 1   |              |         |
| 9   | M139655  | HOLDER    | 1   | RIFLE STOCK  |         |
| 10  | 14M7397  | LOCK NUT  | 1   | M6           |         |
| 11  | M117322  | BUMPER    | AR  |              |         |
| 12  | T66355   | PLUG      | 3   |              |         |
| 13  | H34753   | LOCK NUT  | 2   |              |         |
| 14  | AM128591 | RING      | 2   |              |         |
| 15  | M87496   | PLUG      | 1   |              |         |
| 16  | AM128557 | FRAME     | 1   |              |         |
| 17  | N10218   | SCREW     | 4   |              |         |
| ..  | BM18986  | MAT       | 1   | RUBBER FLOOR |         |

HOOD AND FRONT FENDERS

WP2878 -UN-01JAN94

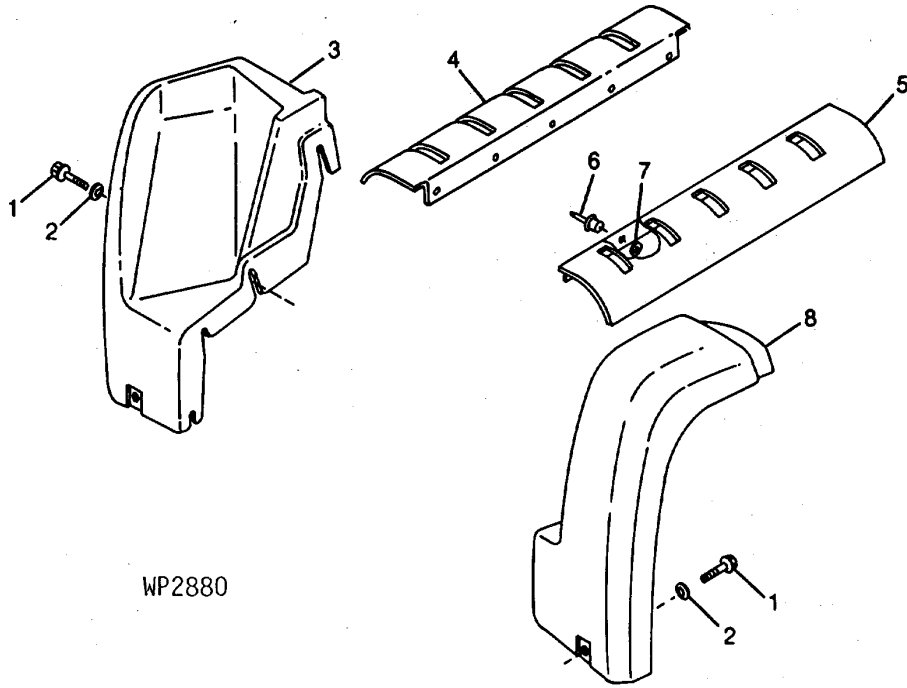


WP2878

| KEY | PART NO. | PART NAME | QTY | SERIAL NO. | REMARKS                        |
|-----|----------|-----------|-----|------------|--------------------------------|
| 1   | N10218   | SCREW     | 18  |            |                                |
| 2   | 24H1219  | WASHER    | 18  |            | 7/16" X 1" X 0.083"            |
| 3   | AM126880 | FENDER    | 1   |            | RH (INCLUDES M117672 LABEL)    |
| 4   | 19M7862  | SCREW     | 4   |            | M6 X 20 (HS, HEAD MARKED 10.9) |
| 5   | 24M7100  | WASHER    | 4   |            | 6.600 X 22 X 2 MM              |
| 6   | AM126154 | HOOD      | 1   |            | (INCLUDES M125076)             |
| 7   | M134742  | FENDER    | 1   |            | LH                             |
| 8   | M84972   | NUT       | 2   |            |                                |

WP2880 -UN-01JAN94

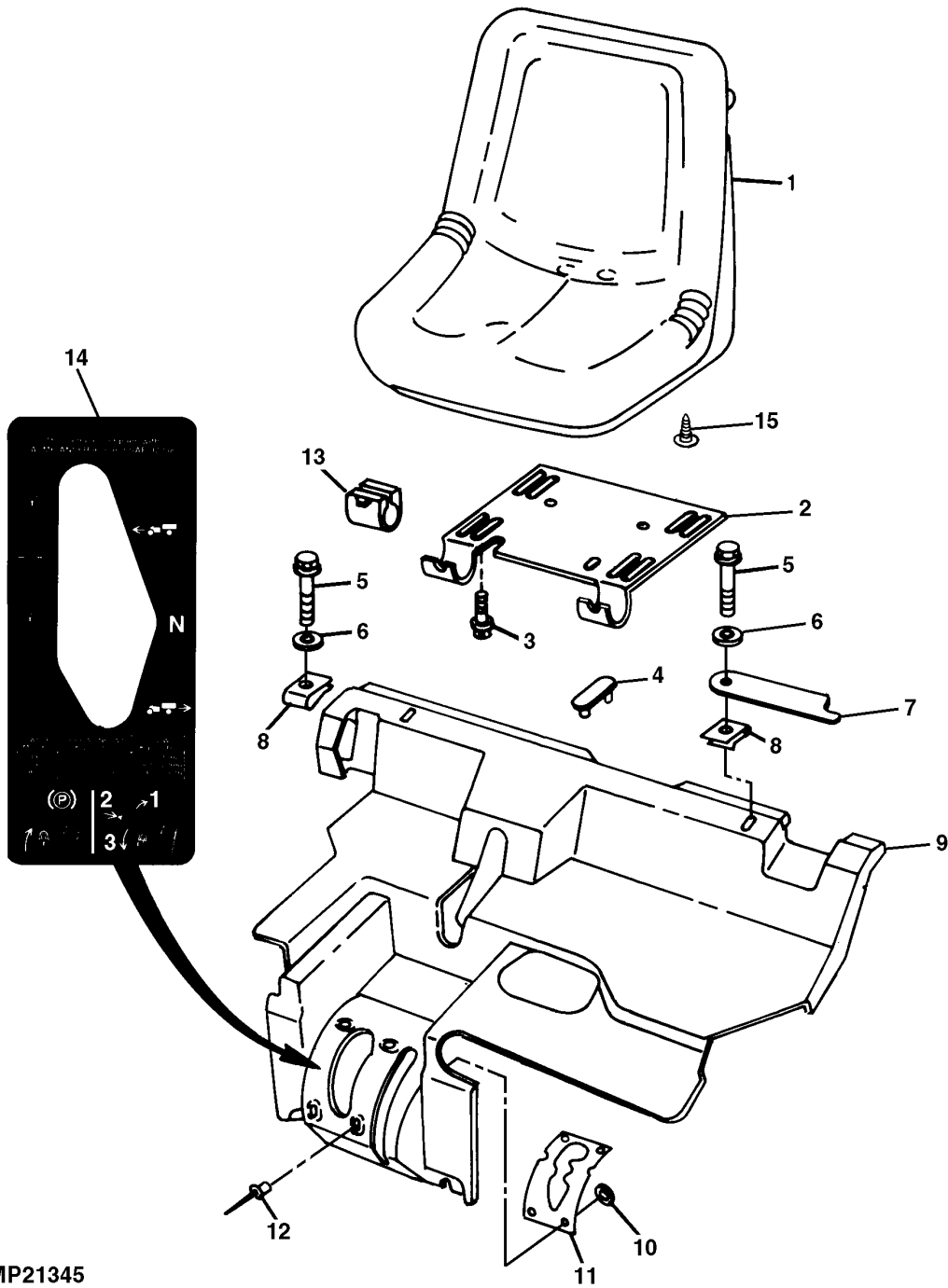
REAR FENDERS



WP2880

| KEY | PART NO. | PART NAME | QTY | SERIAL NO. | REMARKS               |
|-----|----------|-----------|-----|------------|-----------------------|
| 1   | N10218   | SCREW     | 10  |            |                       |
| 2   | 24H1219  | WASHER    | 10  |            |                       |
| 3   | M134763  | FENDER    | 1   |            | RH                    |
| 4   | M134765  | EXTENSION | 1   |            | RH                    |
| 5   | M134766  | EXTENSION | 1   |            | LH                    |
| 6   | R55326   | RIVET     | 10  |            | 3/16"                 |
| 7   | 24H1284  | WASHER    | 10  |            | 7/32" X 7/8" X 0.065" |
| 8   | M134764  | FENDER    | 1   |            | LH                    |

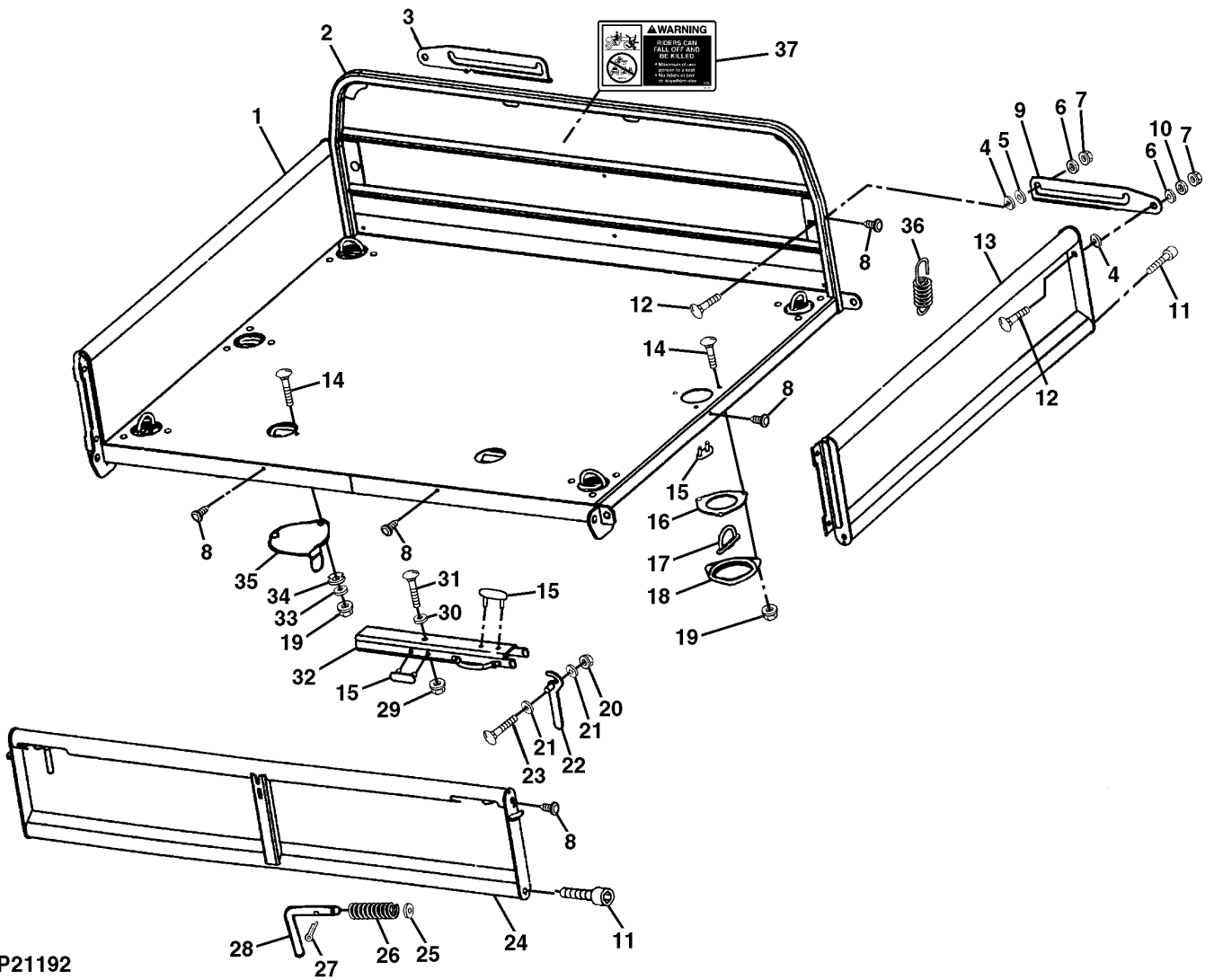
SEAT AND SEAT FRAME



WHEELS, FRAME AND OPERATORS STATION

| KEY | PART NO. | PART NAME | QTY | SERIAL NO.            | REMARKS |
|-----|----------|-----------|-----|-----------------------|---------|
| 1   | AM126149 | SEAT      | 2   |                       |         |
| 2   | M117151  | BRACKET   | 2   |                       |         |
| 3   | 19M7865  | SCREW     | 8   | M8 X 16               |         |
| 4   | M117322  | BUMPER    | 1   |                       |         |
| 5   | 19M7862  | SCREW     | 5   | M6 X 20               |         |
| 6   | 24M7100  | WASHER    | 5   | 6.600 X 22 X 2 MM     |         |
| 7   | M122395  | BRACKET   | 1   |                       |         |
| 8   | M84972   | NUT       | 5   |                       |         |
| 9   | M127228  | COVER     | 1   |                       |         |
| 10  | 24H1284  | WASHER    | 4   | 7/32" X 7/8" X 0.065" |         |
| 11  | M131284  | INSERT    | 1   |                       |         |
| 12  | R55326   | RIVET     | 4   |                       |         |
| 13  | M117152  | BUSHING   | 4   |                       |         |
| 14  | M127539  | LABEL     | 1   |                       |         |
| 15  | M71234   | PLUG      | 1   | (RH SEAT ONLY)        |         |

CARGO BOX



MP21192

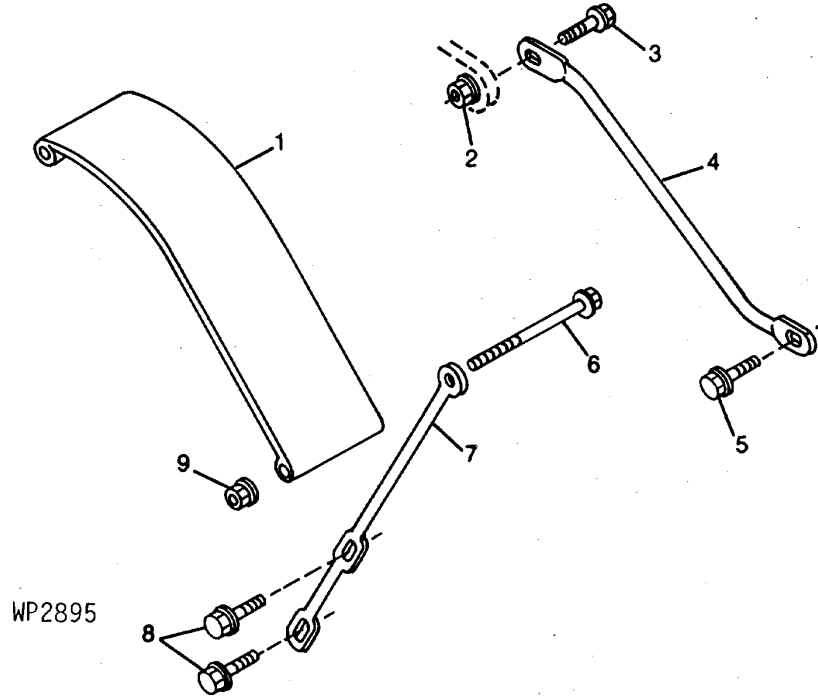


WHEELS, FRAME AND OPERATORS STATION

| KEY | PART NO.       | PART NAME          | QTY      | SERIAL NO.                           | REMARKS                                  |
|-----|----------------|--------------------|----------|--------------------------------------|--|
| 1   | AM128425       | PANEL              | 1        | LH                                   |  |
| 2   | .....          | PLATFORM           | 1        |                                      | CARGO BOX (SPECIAL ORDER THROUGH DEALER) |
| 3   | M139623        | LATCH              | 1        | LH                                   |  |
| 4   | 24M7178        | WASHER             | 4        |                                      | 10.500 X 30 X 2.500 MM                   |
| 5   | M68987         | WASHER             | 2        |                                      |  |
| 6   | M79269         | WASHER             | 4        |                                      |  |
| 7   | 14M7400        | LOCK NUT           | 4        | M10                                  |  |
| 8   | H164460        | FRICTION PLUG      | 8        |                                      |  |
| 9   | M139604        | LATCH              | 1        | RH                                   |  |
| 10  | M87534         | SPRING WASHER      | 2        |                                      |  |
| 11  | M117904        | SCREW              | 6        |                                      |  |
| 12  | 03M7193        | BOLT               | 4        | M10 X 35                             |  |
| 13  | AM128427       | PANEL              | 1        | RH                                   |  |
| 14  | 03M7222        | BOLT               | 20       | M6 X 20                              |  |
| 15  | M117322        | BUMPER             | 8        | RUBBER                               |  |
| 16  | M139603        | RING               | 6        | REINFORCING                          |  |
| 17  | AM128450       | RING               | 6        | TIE DOWN                             |  |
| 18  | M139588        | RETAINER           | 6        |                                      |  |
| 19  | 14M7397        | LOCK NUT           | 20       | M6                                   |  |
| 20  | 14M7397        | LOCK NUT           | 1        | M6                                   |  |
| 21  | M139610        | WASHER             | 2        |                                      |  |
| 22  | AM128435       | HANDLE             | 1        | TAILGATE LATCH                       |  |
| 23  | 03M7267        | BOLT               | 1        | M8 X 80                              |  |
| 24  | AM128428       | TAIL GATE          | 1        |                                      |  |
| 25  | 24M7047        | WASHER             | 2        |                                      | 13 X 24 X 2.500 MM                       |
| 26  | M139586        | COMPRESSION SPRING | 2        |                                      |  |
| 27  | 11M7015        | COTTER PIN         | 2        |                                      | 3.200 X 25 MM                            |
| 28  | M139615        | PIN                | 2        | TAILGATE LATCH                       |  |
| 29  | 14M7401        | LOCK NUT           | 1        | M12                                  |  |
| 30  | M123750        | WASHER             | 1        |                                      |  |
| 31  | 03M7198        | BOLT               | 1        | M12 X 30                             |  |
| 32  | AM128437       | BEAM               | 1        | TAILGATE SUPPORT, (INCLUDES M139601) |  |
| 33  | 24M7139        | WASHER             | 2        |                                      | 6.400 X 18 X 1.600 MM                    |
| 34  | M80072         | WASHER             | 2        |                                      |  |
| 35  | M139587        | COVER              | 1        | LIFT HOLE, LH (SHOWN)                |  |
|     | M139618        | COVER              | 1        | LIFT HOLE, RH (NOT SHOWN)            |  |
| 36  | M139593        | EXTENSION SPRING   | 2        |                                      |  |
| 37  | M117676        | LABEL              | 2        | WARNING (RIDERS)                     |  |
| ..  | <b>BM19964</b> | <b>KIT</b>         | <b>1</b> | <b>CARGO BOX (INCLUDES LABELS)</b>   |  |

WP2895 -UN-01JAN94

BELT GUARD

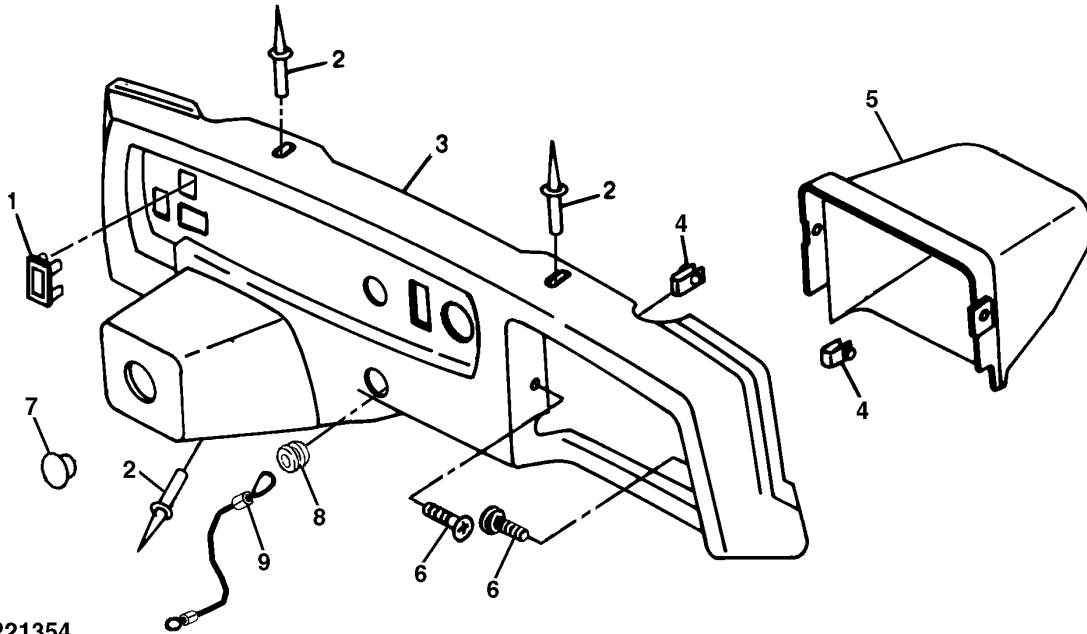


WP2895

| KEY | PART NO. | PART NAME | QTY | SERIAL NO.                      | REMARKS |
|-----|----------|-----------|-----|---------------------------------|---------|
| 1   | M118727  | GUARD     | 1   |                                 |         |
| 2   | 14M7396  | LOCK NUT  | 1   | M8                              |         |
| 3   | 19M7798  | SCREW     | 1   | M8 X 40 (HS, HEAD MARKED 10.9)  |         |
| 4   | M114030  | ROD       | 1   |                                 |         |
| 5   | 19M7163  | CAP SCREW | 1   | M8 X 25                         |         |
| 6   | 19M7970  | SCREW     | 1   | M8 X 100 (HS, HEAD MARKED 10.9) |         |
| 7   | M118721  | SUPPORT   | 1   |                                 |         |
| 8   | 19M7868  | SCREW     | 2   | M8 X 30 (HS, HEAD MARKED 10.9)  |         |
| 9   | 14M7396  | LOCK NUT  | 1   | M8                              |         |

MP21354 -UN-16JUL99

INSTRUMENT PANEL

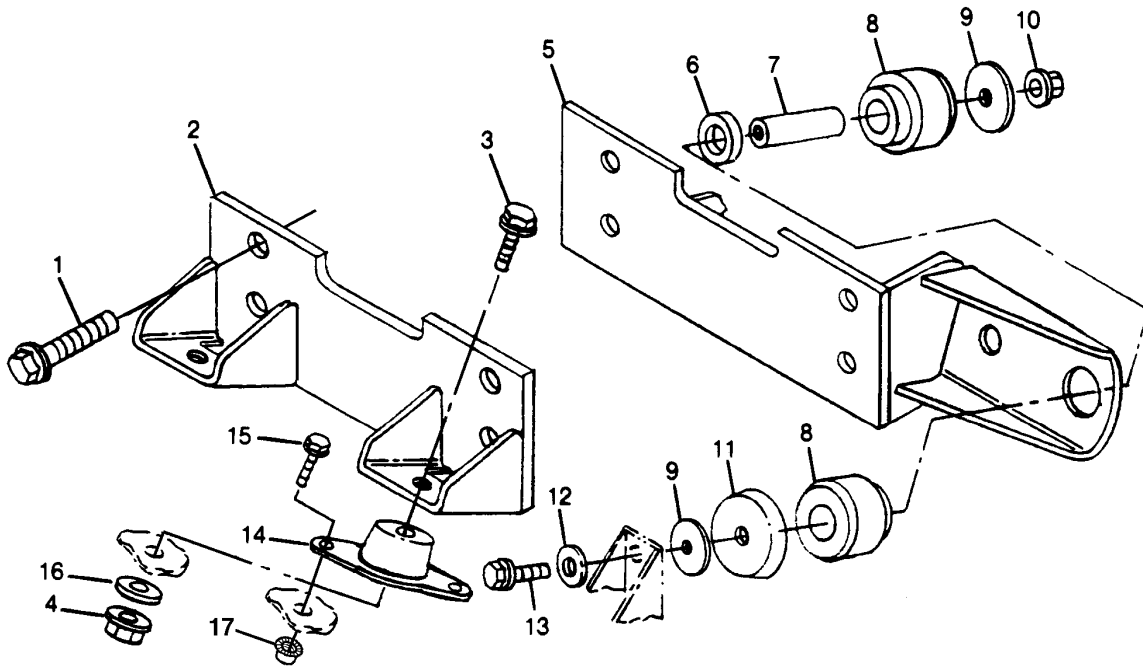


MP21354

| KEY | PART NO. | PART NAME        | QTY | SERIAL NO. | REMARKS             |
|-----|----------|------------------|-----|------------|---------------------|
| 1   | M115279  | PLUG             | 3   |            |                     |
| 2   | R55326   | RIVET            | 3   | 3/16"      |                     |
| 3   | M127229  | INSTRUMENT PANEL | 1   |            |                     |
| 4   | M84972   | NUT              | 2   |            |                     |
| 5   | M113110  | BOX              | 1   |            |                     |
| 6   | 21M7206  | SCREW            | 2   | M6 X 20    |                     |
| 7   | M87496   | PLUG             | 1   |            |                     |
| 8   | T162238  | GROMMET          | 1   |            |                     |
| 9   | AM128451 | CABLE            | 1   |            | STEERING WHEEL LOCK |

ENGINE MOUNTS

MP21356 -UN-16JUL99

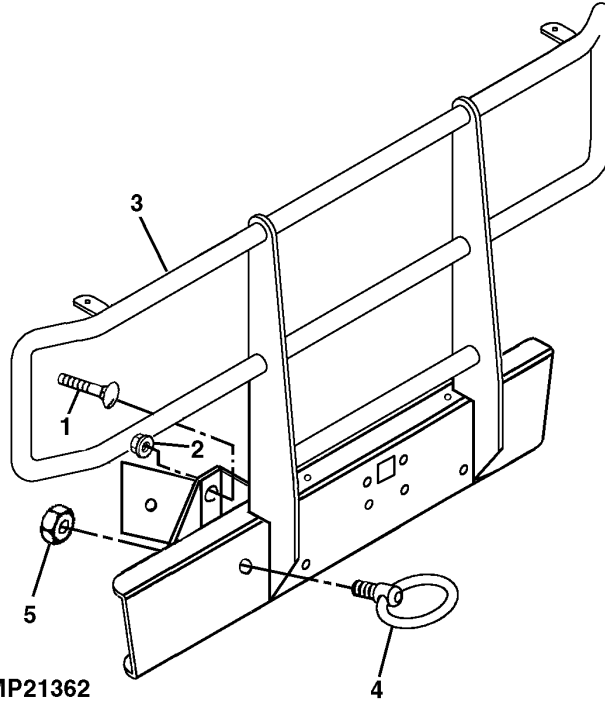


MP21356

| KEY | PART NO. | PART NAME | QTY | SERIAL NO. | REMARKS                   |
|-----|----------|-----------|-----|------------|---------------------------|
| 1   | 19M7784  | SCREW     | 8   |            | M10 X 20                  |
| 2   | AM121676 | SUPPORT   | 1   |            |                           |
| 3   | 19M7156  | CAP SCREW | 4   |            | M10 X 60                  |
| 4   | 14M7400  | LOCK NUT  | 4   |            | M10                       |
| 5   | AM121677 | SUPPORT   | 1   |            |                           |
| 6   | A23321   | WASHER    | 1   |            |                           |
| 7   | M125183  | SLEEVE    | 1   |            |                           |
| 8   | M123564  | ISOLATOR  | 2   |            |                           |
| 9   | 24H1291  | WASHER    | AR  |            | 21/64" X 1-15/32" X 7/64" |
| 10  | 14M7396  | LOCK NUT  | 1   |            | M8                        |
| 11  | M125381  | HOLDER    | 1   |            |                           |
| 12  | 24H1822  | WASHER    | 1   |            | 8.738 X 22.225 X 1.600 MM |
| 13  | 19M8039  | SCREW     | 1   |            | M8 X 80                   |
| 14  | M122348  | ISOLATOR  | 4   |            |                           |
| 15  | 19M7865  | SCREW     | 8   |            | M8 X 16                   |
| 16  | 24H1315  | WASHER    | 4   |            | 13/32" X 2-1/8" X 0.134"  |
| 17  | M140129  | NUT       | 8   |            | INSERT                    |

FRONT BUMPER AND BRUSHGUARD

MP21362 -UN-15SEP99



**MP21362**

| KEY | PART NO. | PART NAME | QTY | SERIAL NO.    | REMARKS |
|-----|----------|-----------|-----|---------------|---------|
| 1   | 03M7197  | BOLT      | 4   | M12 X 25      |         |
| 2   | 14M7466  | LOCK NUT  | 4   | M12           |         |
| 3   | AM128590 | BUMPER    | 1   | W/ BRUSHGUARD |         |
| 4   | AM128591 | RING      | 2   | TOW           |         |
| 5   | H34753   | LOCK NUT  | 2   |               |         |

LABELS

1

2 445N (100 lbs)  
6227N (1400 lbs) 1139656

3 **IMPORTANT**  
TO PREVENT ENGINE DAMAGE  
DO NOT USE STARTING FLUID

4 **CAUTION**  
To avoid injury, stop engine and set parking brake before leaving vehicle.

5 **DANGER**  
EXPLOSIVE GASES Cigarettes, flames or sparks could cause battery to explode. Always shield eyes and face from battery. Do not charge or use booster cables or adjust post connections without proper instruction and training. Keep vent caps tight and level.

**POISON**  
CAUSES SEVERE BURNS Contains sulfuric acid. Avoid contact with skin, eyes or clothing. In event of accident, flush with water and call a physician immediately. Keep out of reach of children.

6

7

8 **WARNING**  
**ROLLOVER OR FALLING OFF MAY CAUSE DEATH**

- Drive very slowly when turning
- Always use brakes going down a slope. Vehicle can take-off (freewheel) downhill.
- No loads heavier than 500 lbs (227 kg) in 4X2 and 800 lbs (363 kg) in 6X4. Spread load evenly. Tie loads down.
- Reduce speed and load on rough or hilly ground

9 **WARNING**  
**RIDERS CAN FALL OFF AND BE KILLED**

- Maximum of one person to a seat
- No riders in box or anywhere else

MP21357

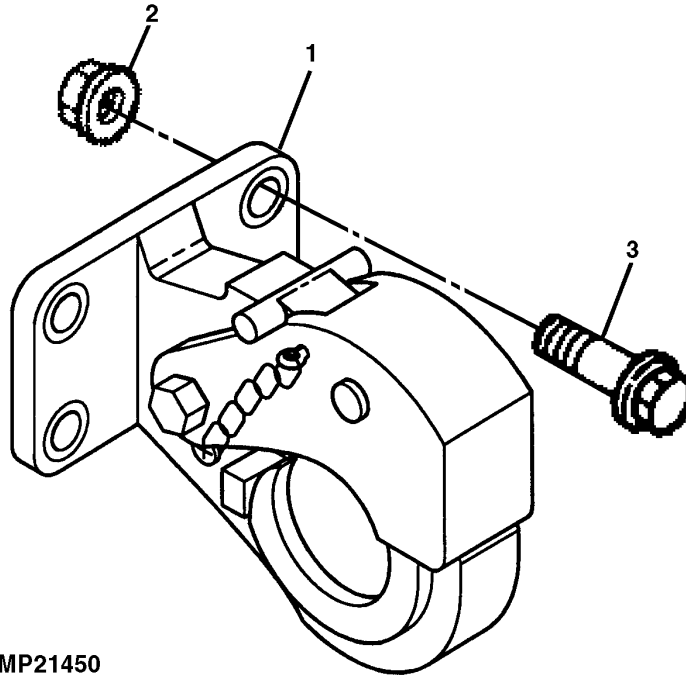
---

WHEELS, FRAME AND OPERATORS STATION

| KEY | PART NO. | PART NAME | QTY | SERIAL NO.            | REMARKS |
|-----|----------|-----------|-----|-----------------------|---------|
| 1   | M125076  | LABEL     | 1   | (HOOD)                |         |
| 2   | M139656  | LABEL     | 1   | (HITCH)               |         |
| 3   | M88198   | LABEL     | 1   | (IMPORTANT)           |         |
| 4   | M139657  | LABEL     | 1   | CAUTION (STOP ENGINE) |         |
| 5   | M78531   | LABEL     | 2   | DANGER (BATTERY)      |         |
| 6   | M127611  | LABEL     | 1   | (MONITOR LIGHT)       |         |
| 7   | M127610  | LABEL     | 1   | (IGNITION KEY)        |         |
| 8   | M117672  | LABEL     | 1   | WARNING (ROLLOVER)    |         |
| 9   | M117676  | LABEL     | 2   | WARNING (RIDERS)      |         |

PINTLE HITCH

MP21450 -UN-29JUL99



MP21450

| KEY | PART NO. | PART NAME | QTY | SERIAL NO. | REMARKS  |
|-----|----------|-----------|-----|------------|----------|
| 1   | AM128452 | HITCH     | 1   |            | PINTLE   |
| 2   | 14M7466  | LOCK NUT  | 4   |            | M12      |
| 3   | 19M7790  | SCREW     | 4   |            | M12 X 35 |

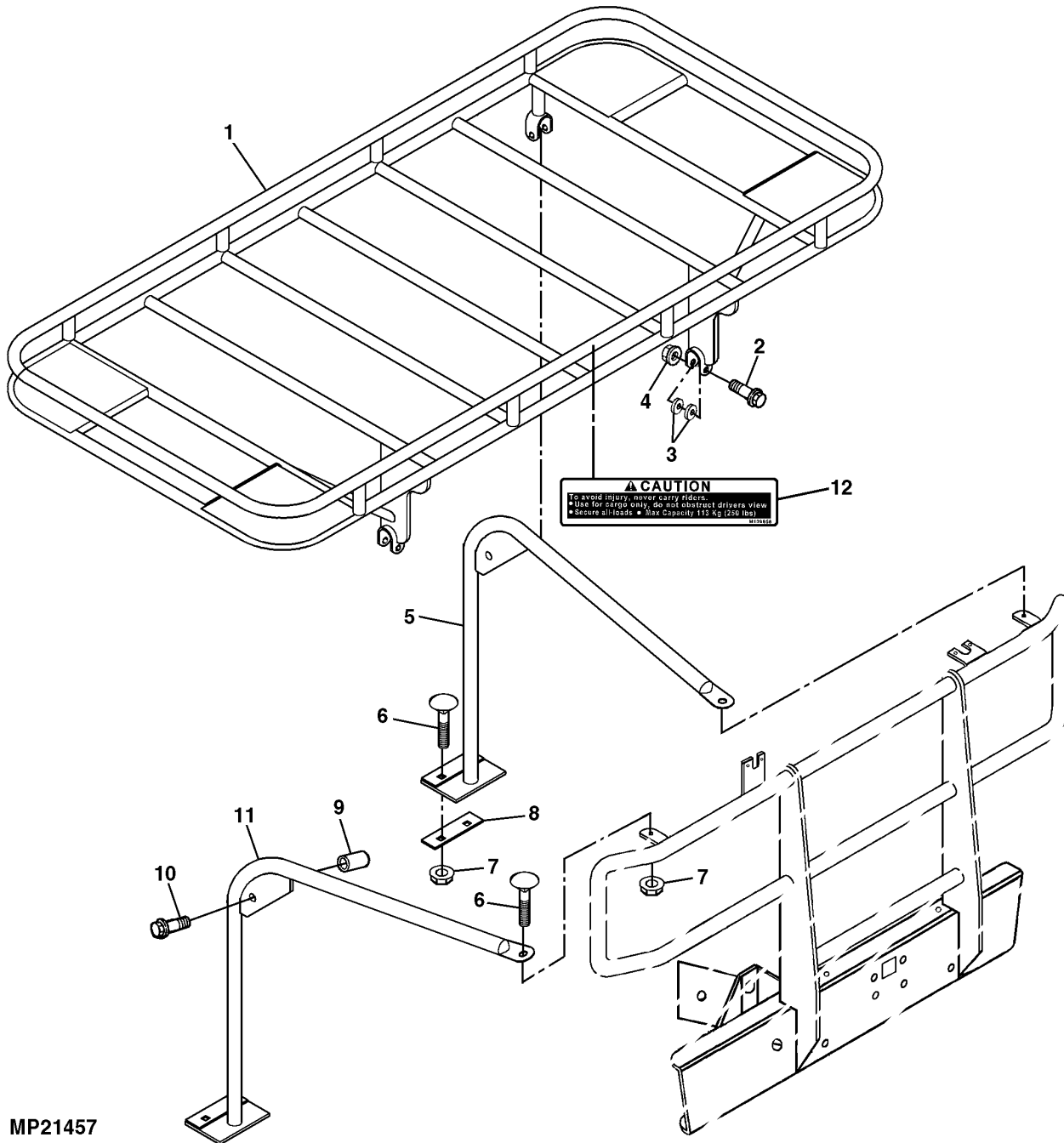


---

MEMORANDA

MP21457 -UN-17AUG99

FRONT LITTER CARRIER



MP21457

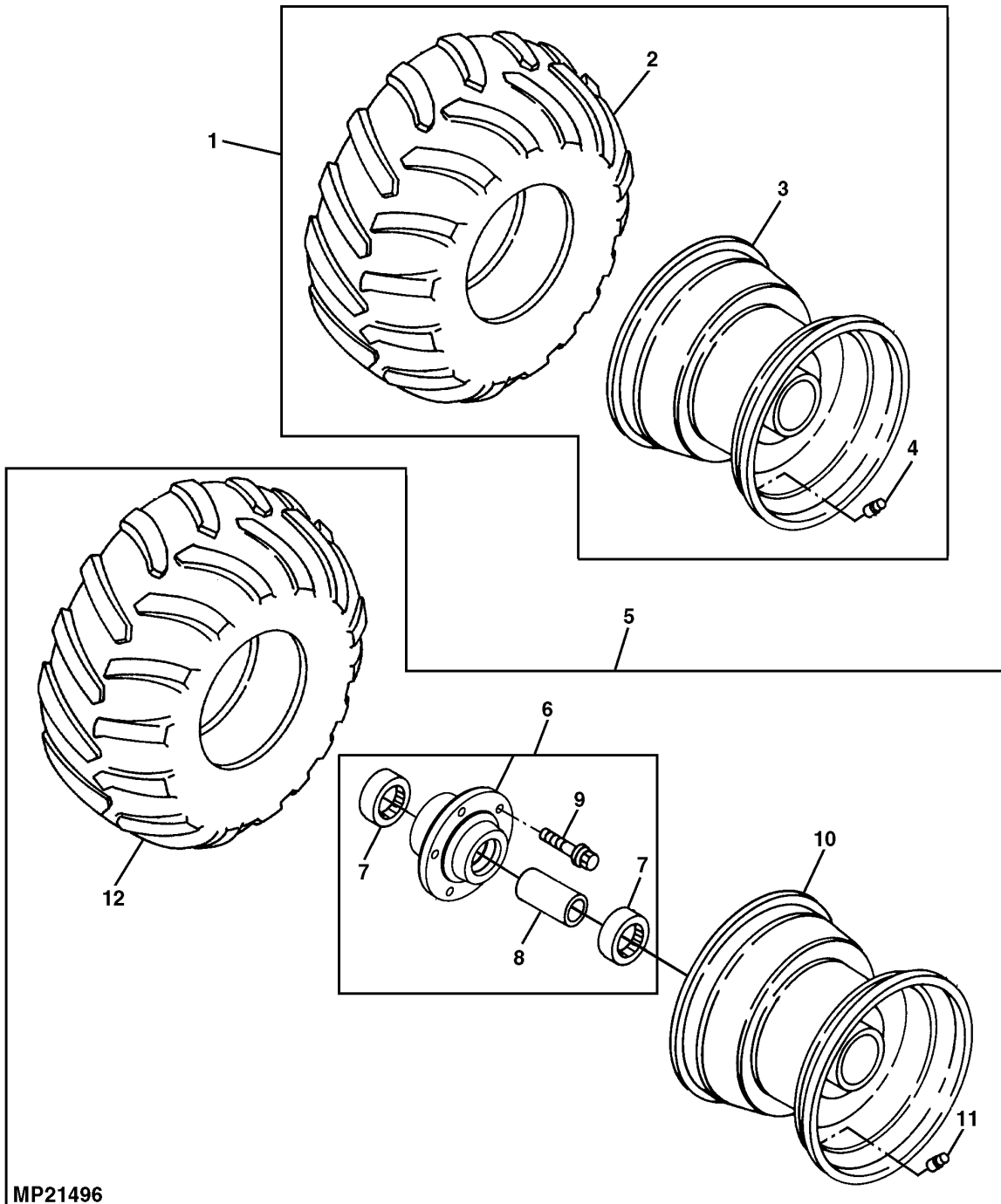
OPTIONAL EQUIPMENT

| KEY | PART NO.       | PART NAME                   | QTY      | SERIAL NO. | REMARKS   |
|-----|----------------|-----------------------------|----------|------------|---|
| 1   | .....          | FRAME                       | 1        |            | FRONT LITTER CARRIER (SPECIAL ORDER THROUGH DEALER) |
| 2   | 19M7798        | SCREW                       | 4        |            | M8 X 40   |
| 3   | M135304        | SPACER                      | 8        |            |   |
| 4   | 14M7396        | LOCK NUT                    | 4        |            | M8  |
| 5   | AM128459       | COMPLETE GOODS/SHIP. BUNDLE | 1        |            | LH LITTER CARRIER                                   |
| 6   | 03M7192        | BOLT                        | 6        |            | M10 X 30  |
| 7   | 14M7400        | LOCK NUT                    | 6        |            | M10   |
| 8   | M139661        | COMPLETE GOODS/SHIP. BUNDLE | 2        |            |   |
| 9   | M75834         | SPACER                      | 2        |            |   |
| 10  | 19M7273        | CAP SCREW                   | 2        |            | M12 X 60  |
| 11  | AM128458       | COMPLETE GOODS/SHIP. BUNDLE | 1        |            | RH LITTER CARRIER                                   |
| 12  | M139658        | LABEL                       | 2        |            | LITTER CARRIER                                      |
| ..  | <b>BM19963</b> | <b>KIT</b>                  | <b>1</b> |            | <b>FRONT LITTER CARRIER</b>                         |

MP21496

-UN-16AUG99

WHEELS AND TIRES (OPTIONAL RUN-FLAT)



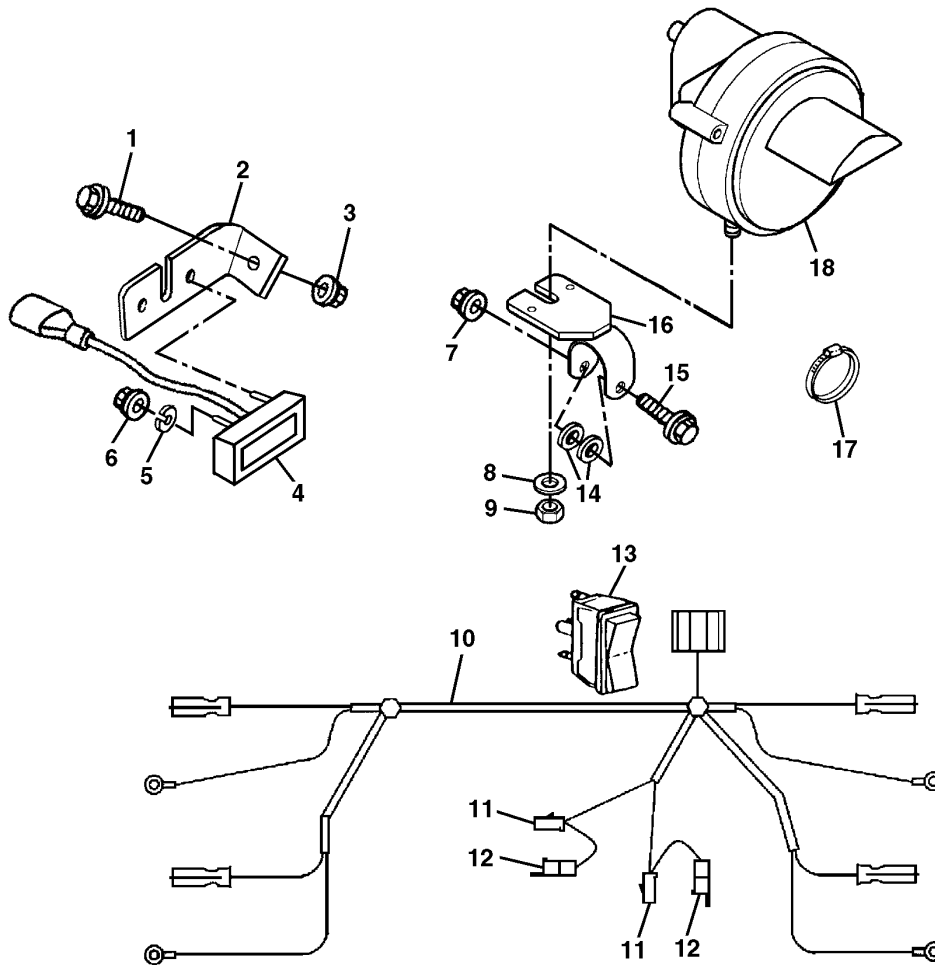
MP21496

OPTIONAL EQUIPMENT

| KEY | PART NO.       | PART NAME       | QTY | SERIAL NO. | REMARKS   |
|-----|----------------|-----------------|-----|------------|---|
| 1   | <b>BM19968</b> | <b>KIT</b>      | 1   |            | <b>REAR RUN-FLAT TIRE (LH AND RH ASSEMBLIES)</b>  |
| 2   | M139641        | TIRE            | 2   |            | AT25X11-10 TRACKER P EMT                          |
| 3   | AM128448       | WHEEL           | 2   |            | 10 X 7.75   |
| 4   | AM30795        | TIRE VALVE STEM | 2   |            |   |
| 5   | <b>BM19967</b> | <b>KIT</b>      | 1   |            | <b>FRONT RUN-FLAT TIRE (LH AND RH ASSEMBLIES)</b> |
| 6   | AM123156       | HUB             | 2   |            | W/ BEARINGS AND SPACER                            |
| 7   | AM102888       | BALL BEARING    | 2   |            |   |
| 8   | M120536        | SPACER          | 1   |            |   |
| 9   | JD20           | WHEEL BOLT      | 5   |            |   |
| 10  | AM128448       | WHEEL           | 2   |            | 10 X 7.75   |
| 11  | AM30795        | TIRE VALVE STEM | 2   |            |   |
| 12  | M139641        | TIRE            | 2   |            | AT22X11-10 TRACKER P EMT                          |

MP21515 -UN-17SEP99

BLACKOUT LIGHT KIT



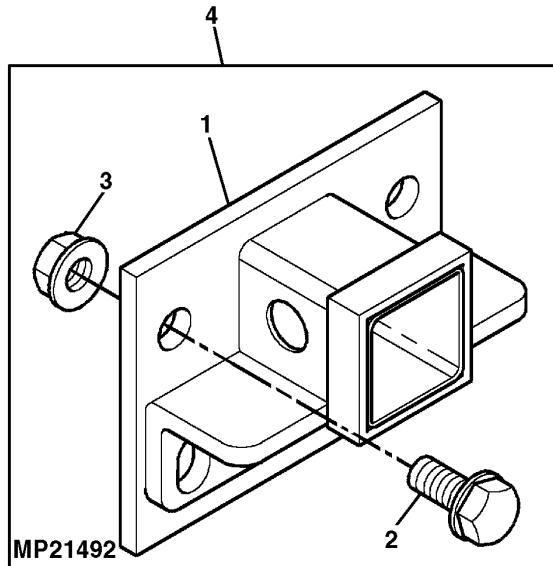
MP21515

OPTIONAL EQUIPMENT

| KEY | PART NO.       | PART NAME      | QTY      | SERIAL NO. | REMARKS                              |
|-----|----------------|----------------|----------|------------|--------------------------------------|
| 1   | 03M7221        | BOLT           | 2        |            | M6 X 16                              |
| 2   | M139642        | BRACKET        | 1        |            | REAR BLACKOUT (RH)(SHOWN)            |
|     | M139643        | BRACKET        | 1        |            | REAR BLACKOUT (LH)(NOT SHOWN)        |
| 3   | 14M7397        | LOCK NUT       | 2        |            | M6 10 X 7.75                         |
| 4   | AM128462       | LAMP           | 3        |            | BLACKOUT MARKER                      |
| 5   | 12M7060        | LOCK WASHER    | 6        |            | 5.300 MM                             |
| 6   | 14H605         | NUT            | 6        |            | 0.164"                               |
| 7   | 14M7396        | LOCK NUT       | 2        |            | M8                                   |
| 8   | .....          | LOCK WASHER    | 1        |            | (A)                                  |
| 9   | .....          | NUT            | 1        |            | (A)                                  |
| 10  | AM128473       | WIRING HARNESS | 1        |            | BLACKOUT LIGHT                       |
| 11  | T28583         | TERMINAL       | 2        |            |                                      |
| 12  | T28585         | TERMINAL       | 2        |            |                                      |
| 13  | AM128472       | SWITCH         | 1        |            | BLACKOUT LIGHT                       |
| 14  | M135304        | SPACER         | 4        |            |                                      |
| 15  | 19M7798        | SCREW          | 2        |            | M8 X 40                              |
| 16  | AM128448       | BRACKET        | 2        |            | LIGHT                                |
| 17  | R44302         | TIE BAND       | 8        |            |                                      |
| 18  | AM128461       | HEADLIGHT      | 1        |            | BLACKOUT (INCLUDES PARTS MARKED (A)) |
| ..  | <b>BM19965</b> | <b>KIT</b>     | <b>1</b> |            | <b>BLACKOUT LIGHT</b>                |

MP21492 -UN-18AUG99

FRONT RECEIVER HITCH



| KEY | PART NO.       | PART NAME  | QTY      | SERIAL NO. | REMARKS                     |
|-----|----------------|------------|----------|------------|-----------------------------|
| 1   | .....          | HITCH      | 1        |            | FRONT RECEIVER              |
| 2   | 19M7789        | SCREW      | 4        |            | M12 X 30                    |
| 3   | 14M7401        | LOCK NUT   | 4        |            | M12                         |
| 4   | <b>BM19972</b> | <b>KIT</b> | <b>1</b> |            | <b>FRONT RECEIVER HITCH</b> |



## NUMERICAL INDEX

| PART NO. | GRID | KEY | PAGE  | PART NO. | GRID | KEY | PAGE  | PART NO. | GRID | KEY | PAGE  |
|----------|------|-----|-------|----------|------|-----|-------|----------|------|-----|-------|
| AH77714  |      | 9   | 20-21 | AM128425 |      | 1   | 70-7  | AM875681 |      | 20  | 30-5  |
| AH77714  |      | 20  | 20-23 | AM128427 |      | 13  | 70-7  | AM876164 |      | 2   | 30-11 |
| AM100752 |      | 6   | 30-11 | AM128428 |      | 24  | 70-7  | AM876238 |      | 1   | 30-11 |
| AM100800 |      | 17  | 20-3  | AM128435 |      | 22  | 70-7  | AM877735 |      | 4   | 50-9  |
| AM100819 |      | 2   | 40-3  | AM128437 |      | 32  | 70-7  | AM877737 |      | 6   | 40-9  |
| AM101378 |      | 1   | 20-19 | AM128448 |      | 3   | 80-5  | AM877739 |      | 20  | 40-9  |
| AM102888 |      | 14  | 60-5  | AM128448 |      | 10  | 80-5  | AM877740 |      | 27  | 40-9  |
| AM102888 |      | 7   | 80-5  | AM128448 |      | 16  | 80-7  | AM877822 |      | 7   | 20-16 |
| AM103066 |      | 1   | 60-3  | AM128449 |      | 21  | 50-19 | AM877824 |      | 6   | 20-16 |
| AM103391 |      | 5   | 40-12 | AM128450 |      | 17  | 70-7  | AM877825 |      | 6   | 20-16 |
| AM103392 |      | 12  | 40-12 | AM128451 |      | 9   | 70-9  | AM878176 |      | 21  | 40-7  |
| AM103901 |      | 12  | 40-11 | AM128452 |      | 1   | 70-14 | AM878236 |      | 6   | 20-16 |
| AM106129 |      | 9   | 40-11 | AM128454 |      | 6   | 40-11 | AM878237 |      | 7   | 20-16 |
| AM108146 |      | 15  | 30-13 | AM128458 |      | 11  | 80-3  | AM878422 |      | 3   | 50-5  |
| AM108172 |      | 2   | 30-12 | AM128459 |      | 5   | 80-3  | AM878423 |      | 21  | 20-13 |
| AM115703 |      | 6   | 60-9  | AM128461 |      | 18  | 80-7  | AM878427 |      | 12  | 20-15 |
| AM116170 |      | 1   | 30-6  | AM128462 |      | 4   | 80-7  | AM878455 |      | 5   | 50-7  |
| AM116368 |      | 16  | 50-19 | AM128472 |      | 13  | 80-7  | AM878457 |      | 6   | 50-11 |
| AM116369 |      | 15  | 60-5  | AM128473 |      | 10  | 80-7  | AM878458 |      | 12  | 50-11 |
| AM116439 |      | 7   | 60-9  | AM128511 |      | 4   | 50-3  | AM878459 |      | 15  | 50-13 |
| AM116934 |      | 11  | 50-19 | AM128557 |      | 16  | 70-1  | AM878460 |      | 14  | 60-11 |
| AM117282 |      | 6   | 40-4  | AM128590 |      | 3   | 70-11 | AM878691 |      | 4   | 20-16 |
| AM117324 |      | 5   | 40-4  | AM128591 |      | 14  | 70-1  | AM878784 |      | 8   | 50-7  |
| AM117650 |      | 5   | 30-6  | AM128591 |      | 4   | 70-11 | AM878785 |      | 4   | 50-8  |
| AM117670 |      | 4   | 40-4  | AM128650 |      | 1   | 60-7  | AM878835 |      | 15  | 30-5  |
| AM117777 |      | 22  | 60-5  | AM128651 |      | 8   | 60-7  | AM878864 |      | 5   | 20-5  |
| AM117778 |      | 17  | 60-3  | AM128652 |      | 2   | 50-16 | AM878882 |      | 17  | 20-9  |
| AM117891 |      | 11  | 60-3  | AM128925 |      | 16  | 40-3  | AM878882 |      | 5   | 20-13 |
| AM117980 |      | 5   | 50-19 | AM129514 |      | 7   | 60-5  | AM878899 |      | 17  | 20-11 |
| AM118013 |      | 3   | 40-4  | AM129561 |      | 10  | 50-2  | AM878901 |      | 5   | 20-17 |
| AM118586 |      | 20  | 20-21 | AM129847 |      | 12  | 50-2  | AM878906 |      | 4   | 20-11 |
| AM118587 |      | 17  | 20-21 | AM30795  |      | 17  | 50-19 | AM878911 |      | 11  | 20-23 |
| AM119962 |      | ..  | 20-3  | AM30795  |      | 17  | 60-5  | AM878916 |      | 13  | 30-7  |
| AM119966 |      | 6   | 30-6  | AM30795  |      | 4   | 80-5  | AM878919 |      | 65  | 30-5  |
| AM120280 |      | 19  | 60-3  | AM30795  |      | 11  | 80-5  | AM878932 |      | ..  | 20-13 |
| AM120281 |      | 20  | 60-3  | AM37023  |      | 3   | 40-12 | AM878933 |      | 18  | 20-9  |
| AM120830 |      | 8   | 50-16 | AM875002 |      | 3   | 20-6  | AM878934 |      | 38  | 20-9  |
| AM121069 |      | 4   | 50-19 | AM875005 |      | 9   | 20-15 | AM878935 |      | ..  | 20-3  |
| AM121422 |      | 15  | 40-11 | AM875006 |      | 11  | 20-19 | AM878968 |      | 6   | 60-11 |
| AM121451 |      | 3   | 40-11 | AM875009 |      | 4   | 20-23 | AM878969 |      | 16  | 60-11 |
| AM121622 |      | 21  | 20-21 | AM875011 |      | 3   | 30-11 | AR44361  |      | 14  | 30-12 |
| AM121624 |      | 15  | 20-21 | AM875012 |      | 4   | 30-11 | AR62407  |      | 28  | 40-3  |
| AM121648 |      | 5   | 30-12 | AM875018 |      | 21  | 20-3  | AT110813 |      | 36  | 30-5  |
| AM121676 |      | 2   | 70-10 | AM875019 |      | 18  | 20-15 | AT110815 |      | 37  | 30-5  |
| AM121677 |      | 5   | 70-10 | AM875020 |      | 8   | 20-11 | AT110817 |      | 38  | 30-5  |
| AM121758 |      | 15  | 60-3  | AM875022 |      | 2   | 20-16 | AT110817 |      | 62  | 30-5  |
| AM122693 |      | 9   | 50-2  | AM875024 |      | 28  | 20-13 | AT118553 |      | 16  | 30-12 |
| AM123156 |      | 6   | 80-5  | AM875025 |      | 9   | 20-13 | AT75769  |      | 1   | 40-3  |
| AM125043 |      | ..  | 50-5  | AM875026 |      | 4   | 20-3  | A23321   |      | 6   | 70-10 |
| AM125043 |      | ..  | 50-7  | AM875027 |      | 13  | 20-7  | BM17807  |      | 15  | 50-19 |
| AM125043 |      | ..  | 50-8  | AM875028 |      | 9   | 20-6  | BM18986  |      | ..  | 70-1  |
| AM125043 |      | ..  | 50-9  | AM875029 |      | 6   | 20-6  | BM19839  |      | 18  | 30-3  |
| AM125043 |      | ..  | 50-11 | AM875030 |      | 19  | 20-5  | BM19877  |      | 19  | 60-5  |
| AM125307 |      | 5   | 30-3  | AM875032 |      | 7   | 20-16 | BM19963  |      | ..  | 80-3  |
| AM125427 |      | 8   | 40-12 | AM875034 |      | 2   | 20-16 | BM19964  |      | ..  | 70-7  |
| AM126149 |      | 1   | 70-5  | AM875035 |      | 25  | 30-11 | BM19965  |      | ..  | 80-7  |
| AM126154 |      | 6   | 70-2  | AM875039 |      | 10  | 20-19 | BM19967  |      | 5   | 80-5  |
| AM126175 |      | 5   | 50-2  | AM875040 |      | 4   | 20-19 | BM19968  |      | 1   | 80-5  |
| AM126459 |      | 15  | 30-3  | AM875044 |      | 17  | 40-7  | BM19972  |      | 4   | 80-8  |
| AM126880 |      | 3   | 70-2  | AM875045 |      | 11  | 40-7  | CH10060  |      | 7   | 30-7  |
| AM127194 |      | 5   | 40-3  | AM875059 |      | 4   | 20-3  | CH10061  |      | 14  | 20-7  |
| AM127560 |      | 13  | 30-3  | AM875060 |      | 8   | 20-3  | CH10084  |      | 1   | 30-7  |
| AM127637 |      | 6   | 60-3  | AM875068 |      | 9   | 30-11 | CH10085  |      | 29  | 20-9  |
| AM128162 |      | 4   | 60-5  | AM875068 |      | 15  | 30-11 | CH10085  |      | 27  | 30-11 |
| AM128163 |      | 10  | 60-5  | AM875069 |      | 13  | 30-11 | CH10106  |      | 10  | 30-7  |
| AM128236 |      | 8   | 50-3  | AM875576 |      | 6   | 30-13 | CH10314  |      | 16  | 20-3  |
| AM128303 |      | 24  | 60-7  | AM875592 |      | 23  | 30-5  | CH10323  |      | 19  | 30-11 |

## NUMERICAL INDEX - CONTINUED

| PART NO. | GRID | KEY | PAGE  | PART NO. | GRID | KEY | PAGE  | PART NO. | GRID | KEY | PAGE  |
|----------|------|-----|-------|----------|------|-----|-------|----------|------|-----|-------|
| CH10348  |      | 3   | 20-7  | CH19141  |      | 25  | 20-13 | M118819  |      | 18  | 50-19 |
| CH10486  |      | 22  | 40-7  | CH19780  |      | 21  | 20-5  | M118898  |      | 2   | 50-2  |
| CH10534  |      | 9   | 60-11 | CH19995  |      | 3   | 20-17 | M118899  |      | 3   | 50-3  |
| CH10536  |      | 43  | 30-5  | H164460  |      | 8   | 70-7  | M118949  |      | 6   | 30-3  |
| CH10542  |      | 32  | 30-5  | H34753   |      | 13  | 70-1  | M119397  |      | 10  | 60-7  |
| CH10568  |      | 4   | 20-7  | H34753   |      | 5   | 70-11 | M119422  |      | 3   | 50-2  |
| CH10568  |      | 12  | 20-9  | H77698   |      | 6   | 40-3  | M119715  |      | 12  | 50-19 |
| CH10568  |      | 27  | 20-9  | H77698   |      | 1   | 40-12 | M119716  |      | 22  | 50-19 |
| CH10568  |      | 12  | 20-13 | JD20     |      | 13  | 50-19 | M119854  |      | 11  | 40-11 |
| CH10568  |      | 7   | 20-19 | JD20     |      | 9   | 80-5  | M119928  |      | 3   | 30-6  |
| CH10570  |      | 10  | 50-5  | JD7844   |      | 23  | 50-19 | M120172  |      | 1   | 60-5  |
| CH10571  |      | 10  | 20-3  | JD7844   |      | 3   | 60-5  | M120361  |      | 9   | 50-16 |
| CH10571  |      | 13  | 20-9  | M110368  |      | 1   | 60-9  | M120361  |      | 7   | 60-7  |
| CH10572  |      | 33  | 20-9  | M110369  |      | 3   | 60-9  | M120536  |      | 16  | 60-5  |
| CH10640  |      | 20  | 20-3  | M110975  |      | 5   | 60-9  | M120536  |      | 8   | 80-5  |
| CH10642  |      | 19  | 20-3  | M111088  |      | 4   | 60-9  | M120606  |      | 3   | 60-7  |
| CH10644  |      | 6   | 20-9  | M111385  |      | 1   | 20-21 | M121063  |      | 13  | 30-12 |
| CH10644  |      | 3   | 30-5  | M111560  |      | 10  | 30-6  | M121675  |      | 7   | 40-12 |
| CH11414  |      | 11  | 50-5  | M112442  |      | 18  | 60-7  | M122217  |      | 15  | 20-23 |
| CH11481  |      | 3   | 60-11 | M113027  |      | 23  | 60-7  | M122348  |      | 14  | 70-10 |
| CH11525  |      | 3   | 50-13 | M113110  |      | 5   | 70-9  | M122395  |      | 7   | 70-5  |
| CH11795  |      | 22  | 30-11 | M113126  |      | 11  | 20-21 | M122487  |      | 28  | 20-21 |
| CH12293  |      | 12  | 20-11 | M113475  |      | 5   | 40-11 | M122970  |      | 11  | 60-9  |
| CH12293  |      | 7   | 20-13 | M113621  |      | 3   | 30-12 | M123359  |      | 16  | 20-21 |
| CH12293  |      | 7   | 30-5  | M113622  |      | 6   | 30-12 | M123378  |      | 15  | 30-12 |
| CH12294  |      | 8   | 20-19 | M113632  |      | 1   | 50-15 | M123564  |      | 8   | 70-10 |
| CH12731  |      | 2   | 20-19 | M113672  |      | 7   | 50-19 | M123584  |      | 14  | 50-19 |
| CH12807  |      | 7   | 30-11 | M113879  |      | 11  | 60-5  | M123750  |      | 30  | 70-7  |
| CH13497  |      | 30  | 30-5  | M114013  |      | 9   | 50-15 | M124173  |      | 12  | 20-21 |
| CH13497  |      | 39  | 30-5  | M114014  |      | 3   | 50-15 | M124342  |      | 2   | 30-6  |
| CH13497  |      | 61  | 30-5  | M114015  |      | 6   | 50-15 | M124556  |      | 13  | 20-21 |
| CH13505  |      | 1   | 60-11 | M114030  |      | 4   | 70-8  | M124569  |      | 25  | 20-21 |
| CH13526  |      | 11  | 20-9  | M114108  |      | 14  | 60-7  | M125076  |      | 6   | 70-2  |
| CH13526  |      | 15  | 20-13 | M114178  |      | 12  | 60-9  | M125076  |      | 1   | 70-13 |
| CH13814  |      | 25  | 20-9  | M114238  |      | 10  | 30-3  | M125183  |      | 7   | 70-10 |
| CH13814  |      | 12  | 20-23 | M114247  |      | 8   | 30-3  | M125381  |      | 11  | 70-10 |
| CH13851  |      | 10  | 50-13 | M115279  |      | 1   | 70-9  | M125383  |      | 11  | 50-3  |
| CH14583  |      | 5   | 60-11 | M115864  |      | 6   | 60-7  | M126723  |      | 1   | 50-16 |
| CH14592  |      | 9   | 50-11 | M115938  |      | 10  | 60-9  | M127228  |      | 9   | 70-5  |
| CH14634  |      | 1   | 50-5  | M115983  |      | 22  | 20-21 | M127229  |      | 3   | 70-9  |
| CH14656  |      | 4   | 50-5  | M116224  |      | 20  | 60-5  | M127539  |      | 14  | 70-5  |
| CH14926  |      | 5   | 50-9  | M116225  |      | 20  | 60-5  | M127610  |      | 7   | 70-13 |
| CH15002  |      | 13  | 20-5  | M117004  |      | 11  | 60-7  | M127611  |      | 6   | 70-13 |
| CH15024  |      | 8   | 50-13 | M117027  |      | 9   | 60-3  | M128562  |      | 9   | 50-3  |
| CH15405  |      | 14  | 20-15 | M117051  |      | 16  | 60-7  | M128562  |      | 1   | 50-7  |
| CH15409  |      | 1   | 20-7  | M117096  |      | 9   | 60-9  | M128562  |      | ..  | 50-7  |
| CH15441  |      | 3   | 50-9  | M117145  |      | 12  | 60-3  | M128562  |      | ..  | 50-8  |
| CH15478  |      | 14  | 20-3  | M117151  |      | 2   | 70-5  | M128562  |      | ..  | 50-9  |
| CH15500  |      | 18  | 20-3  | M117152  |      | 13  | 70-5  | M128562  |      | ..  | 50-11 |
| CH15501  |      | 24  | 30-11 | M117322  |      | 11  | 70-1  | M128642  |      | 10  | 50-3  |
| CH15516  |      | 5   | 20-23 | M117322  |      | 4   | 70-5  | M128642  |      | 1   | 50-7  |
| CH15553  |      | 6   | 30-7  | M117322  |      | 15  | 70-7  | M128642  |      | ..  | 50-7  |
| CH15722  |      | 6   | 20-13 | M117459  |      | 7   | 30-3  | M128642  |      | ..  | 50-8  |
| CH15983  |      | 11  | 30-7  | M117653  |      | 10  | 50-16 | M128642  |      | ..  | 50-9  |
| CH16888  |      | 8   | 30-7  | M117667  |      | 7   | 50-16 | M128642  |      | ..  | 50-11 |
| CH16901  |      | 28  | 20-9  | M117672  |      | 8   | 70-13 | M131284  |      | 11  | 70-5  |
| CH16901  |      | 17  | 30-11 | M117676  |      | 37  | 70-7  | M134742  |      | 7   | 70-2  |
| CH17101  |      | 1   | 20-3  | M117676  |      | 9   | 70-13 | M134763  |      | 3   | 70-3  |
| CH17438  |      | 11  | 20-5  | M117829  |      | 13  | 60-7  | M134764  |      | 8   | 70-3  |
| CH17524  |      | 4   | 60-11 | M117904  |      | 11  | 70-7  | M134765  |      | 4   | 70-3  |
| CH17620  |      | 6   | 20-23 | M118263  |      | 1   | 40-4  | M134766  |      | 5   | 70-3  |
| CH17950  |      | 1   | 20-6  | M118304  |      | 1   | 30-3  | M135304  |      | 3   | 80-3  |
| CH17960  |      | 26  | 30-11 | M118347  |      | 8   | 50-15 | M135304  |      | 14  | 80-7  |
| CH18079  |      | 23  | 20-5  | M118538  |      | 5   | 50-16 | M135386  |      | 17  | 30-3  |
| CH19095  |      | 2   | 20-17 | M118688  |      | 4   | 50-15 | M138664  |      | 18  | 60-5  |
| CH19101  |      | 12  | 20-6  | M118721  |      | 7   | 70-8  | M139586  |      | 26  | 70-7  |
| CH19101  |      | 9   | 20-23 | M118727  |      | 1   | 70-8  | M139587  |      | 35  | 70-7  |

## NUMERICAL INDEX - CONTINUED

| PART NO. | GRID | KEY | PAGE  | PART NO. | GRID | KEY | PAGE  | PART NO. | GRID | KEY | PAGE  |
|----------|------|-----|-------|----------|------|-----|-------|----------|------|-----|-------|
| M139588  |      | 18  | 70-7  | M800028  |      | 11  | 30-13 | M805144  |      | 17  | 40-9  |
| M139593  |      | 36  | 70-7  | M800032  |      | 23  | 20-9  | M805145  |      | 19  | 40-9  |
| M139601  |      | 32  | 70-7  | M800032  |      | 9   | 30-13 | M805146  |      | 18  | 40-9  |
| M139603  |      | 16  | 70-7  | M800034  |      | 9   | 20-5  | M805147  |      | 21  | 40-9  |
| M139604  |      | 9   | 70-7  | M800035  |      | 6   | 20-15 | M805148  |      | 22  | 40-9  |
| M139610  |      | 21  | 70-7  | M800036  |      | 2   | 20-15 | M805149  |      | 23  | 40-9  |
| M139615  |      | 28  | 70-7  | M800037  |      | 1   | 20-15 | M805150  |      | 24  | 40-9  |
| M139618  |      | 35  | 70-7  | M800039  |      | 7   | 20-11 | M805151  |      | 25  | 40-9  |
| M139623  |      | 3   | 70-7  | M800042  |      | 8   | 20-16 | M805152  |      | 26  | 40-9  |
| M139625  |      | 7   | 70-1  | M800044  |      | 17  | 20-15 | M805153  |      | 1   | 40-9  |
| M139641  |      | 2   | 80-5  | M800045  |      | 12  | 20-3  | M805154  |      | 29  | 40-9  |
| M139641  |      | 12  | 80-5  | M800047  |      | 31  | 20-9  | M805238  |      | 3   | 40-9  |
| M139642  |      | 2   | 80-7  | M800047  |      | 14  | 20-23 | M805276  |      | 1   | 50-13 |
| M139643  |      | 2   | 80-7  | M800065  |      | 19  | 20-13 | M805695  |      | 1   | 20-9  |
| M139646  |      | 20  | 50-19 | M800066  |      | 22  | 20-5  | M805695  |      | 3   | 20-13 |
| M139647  |      | 20  | 50-19 | M800067  |      | 3   | 20-5  | M805703  |      | 4   | 20-9  |
| M139654  |      | 4   | 70-1  | M800069  |      | 10  | 20-6  | M805703  |      | 19  | 30-7  |
| M139655  |      | 9   | 70-1  | M800073  |      | 16  | 20-15 | M805704  |      | 14  | 20-9  |
| M139656  |      | 2   | 70-13 | M800075  |      | 11  | 20-11 | M805704  |      | 6   | 30-5  |
| M139657  |      | 4   | 70-13 | M800077  |      | 2   | 20-11 | M805705  |      | 15  | 20-9  |
| M139658  |      | 12  | 80-3  | M800079  |      | 5   | 20-16 | M805705  |      | 51  | 30-5  |
| M139661  |      | 8   | 80-3  | M800080  |      | 3   | 20-16 | M805710  |      | 6   | 20-7  |
| M139675  |      | 2   | 70-1  | M800086  |      | 10  | 20-23 | M805710  |      | 14  | 20-13 |
| M140102  |      | 8   | 50-2  | M800091  |      | 18  | 30-11 | M805711  |      | 7   | 20-7  |
| M140129  |      | 17  | 70-10 | M800092  |      | 21  | 30-11 | M805711  |      | 10  | 20-9  |
| M140367  |      | 24  | 50-19 | M800098  |      | 19  | 30-5  | M805711  |      | 34  | 20-9  |
| M18937   |      | 8   | 70-1  | M800099  |      | 34  | 30-5  | M805711  |      | 22  | 20-13 |
| M40514   |      | 4   | 60-3  | M800100  |      | 63  | 30-5  | M805818  |      | 9   | 20-7  |
| M40514   |      | 21  | 60-7  | M800209  |      | 8   | 30-11 | M805818  |      | 20  | 20-9  |
| M43835   |      | 4   | 40-12 | M800210  |      | 14  | 30-11 | M805820  |      | 22  | 20-9  |
| M45242   |      | 2   | 30-9  | M800211  |      | 12  | 30-11 | M805820  |      | 10  | 30-13 |
| M45242   |      | 10  | 40-3  | M800212  |      | 11  | 30-11 | M805821  |      | 32  | 20-9  |
| M45242   |      | 17  | 40-11 | M800213  |      | 10  | 30-11 | M805821  |      | 3   | 30-13 |
| M46449   |      | 7   | 40-3  | M800300  |      | 8   | 20-15 | M805969  |      | 10  | 50-7  |
| M46449   |      | 1   | 40-11 | M800308  |      | 10  | 20-11 | M805969  |      | 1   | 50-8  |
| M68987   |      | 5   | 70-7  | M800312  |      | 13  | 20-23 | M806308  |      | 6   | 50-5  |
| M70563   |      | 18  | 20-23 | M800313  |      | 7   | 20-23 | M806309  |      | 9   | 50-5  |
| M71094   |      | 3   | 60-3  | M800350  |      | 4   | 30-13 | M806311  |      | 9   | 50-7  |
| M71234   |      | 15  | 70-5  | M800420  |      | 13  | 20-3  | M806314  |      | 2   | 50-7  |
| M75140   |      | 4   | 40-3  | M800448  |      | 2   | 60-11 | M806320  |      | 6   | 50-9  |
| M75239   |      | 25  | 60-7  | M800496  |      | 10  | 20-15 | M806321  |      | 1   | 50-9  |
| M75834   |      | 9   | 80-3  | M800496  |      | 7   | 50-7  | M806322  |      | 7   | 50-9  |
| M78531   |      | 5   | 70-13 | M800576  |      | 4   | 50-11 | M806326  |      | 1   | 50-11 |
| M79269   |      | 6   | 70-7  | M800593  |      | 6   | 50-7  | M806329  |      | 7   | 50-13 |
| M800002  |      | 3   | 20-3  | M80072   |      | 34  | 70-7  | M806332  |      | 12  | 50-13 |
| M800002  |      | 15  | 20-3  | M801784  |      | 50  | 30-5  | M806333  |      | 4   | 50-13 |
| M800003  |      | 20  | 20-5  | M801785  |      | 8   | 20-9  | M806334  |      | 5   | 50-13 |
| M800004  |      | 19  | 20-9  | M801785  |      | 45  | 30-5  | M806335  |      | 2   | 50-13 |
| M800006  |      | 11  | 20-13 | M801809  |      | 13  | 20-11 | M806340  |      | 8   | 60-11 |
| M800007  |      | 8   | 20-13 | M801815  |      | 2   | 20-23 | M806341  |      | 15  | 60-11 |
| M800008  |      | 18  | 20-13 | M801819  |      | 26  | 20-11 | M806342  |      | 10  | 60-11 |
| M800008  |      | 8   | 30-13 | M801855  |      | 27  | 30-5  | M806344  |      | 11  | 60-11 |
| M800009  |      | 13  | 20-13 | M801857  |      | 28  | 30-5  | M806400  |      | 8   | 50-5  |
| M800011  |      | 21  | 20-11 | M802059  |      | 8   | 20-7  | M806400  |      | 13  | 50-7  |
| M800012  |      | 7   | 20-3  | M802254  |      | 18  | 20-11 | M806424  |      | 15  | 30-7  |
| M800013  |      | 2   | 20-3  | M802255  |      | 5   | 20-11 | M806438  |      | 7   | 20-9  |
| M800014  |      | 10  | 20-7  | M802255  |      | 20  | 20-11 | M806438  |      | 4   | 20-17 |
| M800017  |      | 17  | 20-5  | M802563  |      | 14  | 20-11 | M806438  |      | 60  | 30-5  |
| M800018  |      | 18  | 20-5  | M802691  |      | 16  | 30-7  | M806580  |      | 1   | 20-16 |
| M800019  |      | 7   | 20-5  | M802692  |      | 14  | 30-7  | M806592  |      | 2   | 50-5  |
| M800020  |      | 6   | 20-5  | M802693  |      | 28  | 30-11 | M806593  |      | 4   | 50-7  |
| M800022  |      | 8   | 20-5  | M80357   |      | 4   | 30-6  | M806594  |      | 8   | 50-11 |
| M800022  |      | 35  | 20-9  | M805133  |      | 4   | 40-9  | M806595  |      | 16  | 50-11 |
| M800023  |      | 4   | 20-5  | M805134  |      | 5   | 40-9  | M806705  |      | 2   | 50-8  |
| M800024  |      | 8   | 20-6  | M805139  |      | 12  | 40-9  | M806706  |      | 13  | 50-11 |
| M800025  |      | 11  | 20-6  | M805140  |      | 13  | 40-9  | M806721  |      | 11  | 50-7  |
| M800027  |      | 21  | 20-9  | M805143  |      | 16  | 40-9  | M806745  |      | 5   | 30-11 |

## NUMERICAL INDEX - CONTINUED

| PART NO. | GRID | KEY | PAGE  | PART NO.    | GRID | KEY | PAGE  | PART NO. | GRID | KEY | PAGE  |
|----------|------|-----|-------|-------------|------|-----|-------|----------|------|-----|-------|
| M806770  |      | 7   | 40-7  | M87849      |      | 2   | 20-9  | RG60088  |      | 42  | 30-5  |
| M806771  |      | 9   | 40-7  | M87851      |      | 24  | 20-9  | RG60089  |      | 46  | 30-5  |
| M806772  |      | 20  | 40-7  | M87861      |      | 26  | 20-9  | RG60092  |      | 54  | 30-5  |
| M806773  |      | 16  | 40-7  | M87861      |      | 23  | 30-11 | RG60093  |      | 56  | 30-5  |
| M806774  |      | 15  | 40-7  | M87872      |      | 21  | 20-23 | RG60094  |      | 41  | 30-5  |
| M806775  |      | 14  | 40-7  | M87874      |      | 16  | 20-13 | RG60463  |      | 26  | 30-5  |
| M806776  |      | 13  | 40-7  | M87887      |      | 1   | 20-11 | R44302   |      | 14  | 40-11 |
| M806777  |      | 6   | 40-7  | M87905      |      | 8   | 20-23 | R44302   |      | 17  | 80-7  |
| M806778  |      | 10  | 40-7  | M87908      |      | 16  | 30-11 | R53608   |      | 18  | 20-21 |
| M806779  |      | 4   | 40-7  | M87919      |      | 1   | 20-5  | R55326   |      | 5   | 70-1  |
| M806780  |      | 12  | 40-7  | M87920      |      | 2   | 20-5  | R55326   |      | 6   | 70-3  |
| M806781  |      | 8   | 40-7  | M88031      |      | 15  | 20-11 | R55326   |      | 12  | 70-5  |
| M806782  |      | 18  | 40-7  | M88031      |      | 1   | 40-7  | R55326   |      | 2   | 70-9  |
| M806783  |      | 5   | 40-7  | M88089      |      | 17  | 20-13 | R56101   |      | 4   | 30-9  |
| M806784  |      | 11  | 40-9  | M88124      |      | 2   | 40-9  | R59468   |      | 7   | 30-12 |
| M806785  |      | 14  | 40-9  | M88198      |      | 3   | 70-13 | R63075   |      | 2   | 20-6  |
| M806786  |      | 15  | 40-9  | M88201      |      | 20  | 30-11 | R91141   |      | 3   | 50-8  |
| M806787  |      | 32  | 40-9  | M88753      |      | 6   | 20-21 | R91144   |      | 2   | 50-9  |
| M806791  |      | 2   | 20-7  | M88753      |      | 1   | 30-9  | R91144   |      | 6   | 50-13 |
| M806808  |      | 55  | 30-5  | M89124      |      | 4   | 20-13 | R91159   |      | 5   | 50-5  |
| M806874  |      | 4   | 30-5  | M89128      |      | 7   | 50-11 | R91159   |      | 7   | 60-11 |
| M806875  |      | 59  | 30-5  | M89134      |      | 14  | 20-5  | R92210   |      | 7   | 50-5  |
| M806876  |      | 2   | 30-5  | M89134      |      | 36  | 20-9  | R92210   |      | 12  | 50-7  |
| M806882  |      | 58  | 30-5  | M89135      |      | 15  | 20-5  | TY22467  |      | 2   | 20-21 |
| M806884  |      | 1   | 30-5  | M89135      |      | 37  | 20-9  | TY22470  |      | 12  | 30-12 |
| M806893  |      | 26  | 20-13 | M89139      |      | 21  | 20-3  | TY24344  |      | ..  | 50-5  |
| M806894  |      | 5   | 20-9  | M89139      |      | 21  | 20-15 | TY24344  |      | ..  | 60-11 |
| M806894  |      | 16  | 20-11 | M89140      |      | 21  | 20-3  | TY24345  |      | ..  | 50-5  |
| M806897  |      | 24  | 20-5  | M89140      |      | 19  | 20-15 | TY24345  |      | ..  | 60-11 |
| M806900  |      | 9   | 20-11 | M89142      |      | 16  | 20-9  | TY6191   |      | 4   | 40-11 |
| M806901  |      | 3   | 20-11 | M89142      |      | 9   | 20-19 | T110849  |      | 19  | 40-7  |
| M806903  |      | 6   | 20-19 | M89143      |      | 9   | 20-3  | T111401  |      | 9   | 30-7  |
| M806907  |      | 30  | 20-9  | M89148      |      | 3   | 20-19 | T111874  |      | 40  | 30-5  |
| M806908  |      | 67  | 30-5  | M89151      |      | 9   | 20-9  | T162238  |      | 8   | 70-9  |
| M806910  |      | 13  | 30-13 | M89151      |      | 11  | 30-5  | T24167   |      | 19  | 40-3  |
| M806911  |      | 2   | 30-7  | M89154      |      | 52  | 30-5  | T28583   |      | 21  | 40-3  |
| M806912  |      | 5   | 30-5  | M89156      |      | 33  | 30-5  | T28583   |      | 6   | 40-12 |
| M806915  |      | 47  | 30-5  | M89157      |      | 21  | 30-5  | T28583   |      | 11  | 80-7  |
| M806916  |      | 66  | 30-5  | M89158      |      | 22  | 30-5  | T28585   |      | 20  | 40-3  |
| M806917  |      | 2   | 20-13 | M89159      |      | 24  | 30-5  | T28585   |      | 12  | 80-7  |
| M806921  |      | 30  | 40-9  | M89160      |      | 10  | 30-5  | T32587   |      | 3   | 20-23 |
| M807013  |      | 1   | 50-7  | M89161      |      | 12  | 30-5  | T66355   |      | 12  | 70-1  |
| M809049  |      | 14  | 30-5  | M89162      |      | 35  | 30-5  | U11004   |      | 2   | 60-7  |
| M81214   |      | 22  | 60-7  | M89163      |      | 64  | 30-5  | U46370   |      | 2   | 40-12 |
| M81463   |      | 5   | 60-3  | M89163      |      | 7   | 30-13 | W33880   |      | 1   | 50-19 |
| M82222   |      | 7   | 60-3  | M89164      |      | 53  | 30-5  | 400R     |      | 3   | 50-7  |
| M83541   |      | 2   | 60-5  | M89169      |      | 8   | 30-5  |          |      |     |       |
| M84972   |      | 8   | 70-2  | M89175      |      | 13  | 20-15 |          |      |     |       |
| M84972   |      | 8   | 70-5  | M89178      |      | 16  | 30-5  |          |      |     |       |
| M84972   |      | 4   | 70-9  | M89510      |      | 3   | 20-21 |          |      |     |       |
| M87268   |      | 12  | 60-7  | M89511      |      | 4   | 20-21 |          |      |     |       |
| M87496   |      | 15  | 70-1  | M89955      |      | 13  | 40-11 |          |      |     |       |
| M87496   |      | 7   | 70-9  | M95345      |      | 15  | 40-3  |          |      |     |       |
| M87534   |      | 10  | 70-7  | M95539      |      | 2   | 40-11 |          |      |     |       |
| M87810   |      | 4   | 20-15 | N10218      |      | 5   | 20-21 |          |      |     |       |
| M87812   |      | 6   | 20-11 | N10218      |      | 27  | 20-21 |          |      |     |       |
| M87812   |      | 3   | 20-15 | N10218      |      | 11  | 30-3  |          |      |     |       |
| M87820   |      | 12  | 30-13 | N10218      |      | 3   | 30-9  |          |      |     |       |
| M87821   |      | 3   | 20-9  | N10218      |      | 4   | 60-7  |          |      |     |       |
| M87821   |      | 20  | 20-13 | N10218      |      | 17  | 70-1  |          |      |     |       |
| M87826   |      | 19  | 20-11 | N10218      |      | 1   | 70-2  |          |      |     |       |
| M87831   |      | 12  | 20-5  | N10218      |      | 1   | 70-3  |          |      |     |       |
| M87836   |      | 16  | 20-5  | PMK010-0608 |      | 10  | 40-11 |          |      |     |       |
| M87836   |      | 13  | 20-6  | P20351      |      | 3   | 50-19 |          |      |     |       |
| M87839   |      | 12  | 20-7  | P20352      |      | 2   | 50-19 |          |      |     |       |
| M87840   |      | 5   | 20-7  | RE30527     |      | 5   | 50-8  |          |      |     |       |
| M87841   |      | 5   | 20-6  | RG60081     |      | 18  | 30-7  |          |      |     |       |