

N3-26

ORDNANCE SUPPLY CATALOG

Group G

Technical Reference TM 9-891

(Standard Nomenclature List No. G-678)
(Combined)

Organizational Spare Parts and Equipment
Higher Echelon Spare Parts and Equipment
(Addendum)

and
Service Parts Catalog

for

Semitrailer, 6 Ton Payload, 10 Ton Gross,
2 Wheel, Fuel Tank, 2000 Gallons
(Model ST-6-2M)

MANUFACTURERS

The Heil Co.
Progress Mfg. Co.
Krieger Steel Sections Co.
Keystone Trailer Co.

Davis Welding & Mfg. Co.
Independent Metal Products Co.
Lufkin Foundry & Machine Co.

(Supersedes Ord 7-8, Organizational Spare Parts and Equipment and Higher Echelon Spare Parts and Equipment (Addendum) dated 15 June 1944 which should be collected and destroyed)

Distribution: See inside of front cover.

HEADQUARTERS, ARMY SERVICE FORCES, 15 NOVEMBER 1944

Headquarters, Army Service Forces

Washington 25, D. C., 15 November 1944

Army Service Forces Ordnance Supply Catalog, ORD 7-8-9, SNL G-678, Combined Organizational Spare Parts and Equipment, Higher Echelon Spare Parts and Equipment (Addendum) and Service Parts Catalog for Semi-trailer, 6 ton payload, 10 ton gross, 2 wheel, fuel tank, 2000 gal. has been prepared under the supervision of the Chief of Ordnance and is published for the information and guidance of all concerned.

SPX 400.152 (1 November 1944)

By command of Lieutenant General SOMERVELL:

W. D. STYER,
Major General, General Staff Corps
Chief of Staff.

OFFICIAL:

J. A. ULIO,
Major General,
The Adjutant General.

DISTRIBUTION:

Armies (10); Corps (10); Sv C (10); Depts (10); D (Incl AF & AF Comds) (2); Bn & H 9 (2); C & L 9 (3); IC 10 (1); Chiefs of Tech Sv (2); Arm & Sv Boards (2); PC & S (1); Gen & SP Sv Schs (10); Base Comds (5); T of Opn (5); Ord Decentralized Sub-0 (3); PE (Ord 0) (5); H & R (5); Ord Dist 0 (5); Ord Regional 0 (3); Ord Dist Br 0 (3); Ord Establishments (5); Ord Tk Deps (5).

IC 10; T/O & E 10-377, 10-547.

ARMY SERVICE FORCES CATALOG

Regraded UNCLASSIFIED
Order Sec Army by TAG/206315

AUTH: DA Cir 23, 1952

RESTRICTED

ORD 7-8-9 SNL G-678

Changes No. 1

SGV TD

ORDNANCE SUPPLY CATALOG

Group G

Technical Reference TM 9-891

(Changes No. 1 for Standard Nomenclature List No. G-678)
(Combined)

**Organizational Spare Parts and Equipment
Higher Echelon Spare Parts and Equipment (Addendum)**

and

Service Parts Catalog

for

**SEMITRAILER, 6-TON PAYLOAD, 10-TON GROSS,
2-WHEEL, FUEL TANK, 2000 GALLONS
(Model ST-6-2M)**

BIBL. - DML
Geregistreerd

Headquarters, Army Service Forces,
Washington 25, D. C., 31 May 1945

Army Service Forces Ordnance Supply Catalog, ORD 7-8-9 SNL G-678, Organizational Spare Parts and Equipment, Higher Echelon Spare Parts and Equipment (Addendum), Service Parts Catalog, Changes No. 1 for SEMITRAILER, 6-TON PAYLOAD, 10-TON GROSS, 2-WHEEL, FUEL TANK, 2000 GALLONS (Model ST-6-2M) has been prepared under the supervision of the Chief of Ordnance, and is published for the information and guidance of all concerned.

SPX 461 (31 May 1945)

By command of General SOMERVELL:

OFFICIAL:

J. A. ULIO,
Major General,
The Adjutant General.

LeR. LUTES,
Major General, General Staff Corps,
Chief of Staff.

HEADQUARTERS, ARMY SERVICE FORCES, 31 MAY 1945

ORD 8 of ORD 7-8-9 Standard Nomenclature List No. G-678, dated 15 November 1944 is changed as follows:

The following items appearing on the page indicated in the Page Number Column (Col. 0) are to be changed as designated in the Remarks Column (Col. 9).

In changes affecting number or nomenclature, indexes should also be changed.

Page No.	Official Stock Number Order and Store by This Number	Part Number		I T E M	Per 100 Major Items			Note Symbol	R E M A R K S
		Col. 1	Col. 2		Col. 3	12 Mos. Field Maintenance	Major Overhaul (5th Ech)		
Col. 0	Col. 1	Col. 2	Col. 3	Col. 4	Col. 5	Col. 6	Col. 7	Col. 8	Col. 9
23				1502—PINTLE HOOK					Enter as New Group Heading
16	H001-0716535	C87132	HC-2480	SWITCH, blackout, less cover.....	%		5	H-1	Change Cols. 1-8 (Group 0606)
18	G600-0209299	A328463	FTC-F-539-7	HANDLE, fifth wheel, operating (DSF-FWX-308).....	6	3	10		Change Col. 2 (Group 10K1)
19	G600-0240707	7068179	FTC-F-539-3L	JAW, fifth wheel coupler, left (DSF-FWX-3010-L).....	6	3	10		Change Col. 2 (Group 10K1)
19	G600-0240708	7068180	FTC-F-539-3R	JAW, fifth wheel coupler, right (DSF-FWX-3010-R).....	6	3	10		Change Col. 2 (Group 10K1)
19	G600-0279847	7068245	FTC-F-539-16	PLUNGER, fifth wheel lock, assembly (DSF-FWU-306A).....	6	3	10		Change Col. 2 (Group 10K1)
19	G600-0125801	B7069268	FTC-F-540-1	SHAFT, fifth wheel support bracket (DSF-FWU-305-Q).....	3	1	5		Change Col. 2 (Group 10K1)
20	H013-0500114		TD-1259-B-28	PIN, anchor, brake shoe.....	%	6	20	H-13	Change Col. 1 (Group 1203)
20	H001-5453160		TD-X702	SCREW, locking, brake shoe anchor pin.....	%	6	20	H-1	Change Col. 1 (Group 1203)
21	H006-0265110		BWE-214253	ELBOW, street, 3/8 in.....	%		10	H-6	Change Col. 1 (Group 1209C)
23	G009-0100330	A5863	WIS-F11220	BOLT, pintle lock rear (1-14NF-2 x 5).....	7		8		New item Group 1502
23	G160-0139851	09192V	TD-1898-T-254	COLLAR, pintle hook spring, front.....	3		4		New item Group 1502
23	G160-0217775		TD-T19-J	HOOK, pintle, rear, assembly.....	3		4		New item Group 1502
23	G678-7326170	08373V	TD-4887-P-42	HOOK, pintle, rear, w/THREADS (1 3/4-5NC-2).....	3		4		New item Group 1502
23	G116-1679849	C4612	TD-3897-L-142	LOCK, pintle hook.....	3		4		New item Group 1502
23	C029-0100535	B12694	TD-3ES-12505	LATCH, pintle hook.....	7		8		New item Group 1502
23	G102-0203851	A5864		NUT, hex-hd., pintle bolt, rear (1-14NF-2).....	7		8		New item Group 1502
23	G160-0314814	Q6HB	TD-1827-X-128	NUT, pintle (1 3/4-5NC-2).....	11		12		New item Group 1502
23	C021-0401505	A5865	TD-1-ES-12503	PIN, pintle hook latch, pivot.....	7		8		New item Group 1502
23	G160-0387088	09190W	TD-2847-B-314	SLEEVE, pintle hook spring.....	3		4		New item Group 1502

23	G160-0389776	09191W	TD-2858-A-105	SPRING, pintle.....	7	8		New item Group 1502
23	G102-0206005		TD-2ES-12409	SPRING, pintle latch lock.....	11	12		New item Group 1502
25	H001-0716005		GM-110454	PIN, cotter, brass, emergency valve.....	2	20	H-1	Change Col. 1 (Group 1820C)
25	4180-19A-153		HLC-19A-153	SPRING, feather valve, manhole cover (Coil type).....	45	50		New item Group 1820B
33	H001-1530009		BR-22243	WASHER, flat, special, S. (engine base to cylinder screw).....	3	5	H-1	Change Cols. 1-8 (Group 20E1)
35	1090-290392		BR-290392	KIT, repair, condenser, magneto.....	6	10		Change Col. 1 (Group 20G1)
				(Consists of:				
			BR-29861	1 CONDENSER				
	100749		BR-90066	1 SCREW, machine, rd.-hd., S., No. 8-32NC-2 x 1/4)				
	106496		BR-91661	1 WASHER, lock, reg., S., No. 8				
37	H001-7025591	A328468		SCREW, cap, hex-hd., S., 5/8-18NF-2 x 2 1/2 in.....	3	50	H-1	Change Col. 2 (Group 2304K)
	H001-1013324							Change Col. 1 (Group 2304L)
37	H001-7017680	103321	BR-92227	WASHER, lock, reg., S., 3/8 in. (.0390 I.D. x 0.640 O.D. 1/8 x 3/32 thick).....	30	50	H-1	

ORD 9 of ORD 7-8-9 Standard Nomenclature List No. G-678 dated 15 November 1944 is changed as follows:

The following items appearing on the page indicated in the Page Number Column (Col. 0) are to be changed as designated in the Remarks Column (Col. 7).

In changes affecting number or nomenclature, indexes should also be changed.

Page No.	Figure No.	Official Stock Number	Part Number		ITEM	Quant. Reqd. per Unit Assy.	REMARKS
			Order and Store by This Number	Manufacturer			
Col. 0	Col. 1	Col. 2	Col. 3	Col. 4	Col. 5	Col. 6	Col. 7
40		H001-0716435	C87132C	HC-2480	SWITCH, blackout, less cover.....	1	Change Col. 1 (Group 0606)
50	10-4	H001-0713001	103047	FTC-PN-328-H	NUT, slotted, heavy, S., 1/2-13NC-2 (DSF-CN-12).....	1	Change Cols. 2-3 (Group 10K1)
50		H001-0713001	103047	FTC-PN-328-H	NUT, slotted, heavy, S., 13NC-2 (DSF-CN-12).....	1	Change Cols. 2-3 (Group 10K1)
50	10-4	G600-0279847	7068245	FTC-F-539-16	PLUNGER, fifth wheel lock, assembly (DSF-FWZ-306A).....	1	Change Cols. 3-5 (Group 10K1)
50		G544-0666787	7067974	FTC-F-599-19	SCREW, fifth wheel safety latch (DSF-FWX-3018).....	1	Change Cols. 3-4 (Group 10K1)
50	10-4	G600-0125801	B7069268	FTC-F-540-1	SHAFT, fifth wheel support bracket (DSF-FWU-305-Q).....	1	Change Col. 3 (Group 10K1)

SGV TD

ORDNANCE SUPPLY CATALOG

Group G

Technical Reference TM 9-891

**(Standard Nomenclature List No. G-678)
(Combined)****Organizational Spare Parts and Equipment
Higher Echelon Spare Parts and Equipment
(Addendum)**

and

Service Parts Catalog

for

**Semitrailer, 6 Ton Payload, 10 Ton
Gross, 2 Wheel, Fuel Tank, 2000 Gal.
(Model ST-6-2M)****Manufacturers****Progress Mfg. Co.****The Heil Co.****Krieger Steel Sections Co.****Keystone Trailer Co.****Davis Welding & Mfg. Co.****Independent Metal Products Co.****Lufkin Foundry and Machine Co.****(Supersedes Ord 7-8, Organizational Spare Parts and
Equipment and Higher Echelon Spare Parts and Equipment
(Addendum) dated 15 June 1944 which should be collected
and destroyed.)****Distribution:** See inside front cover.**HEADQUARTERS, ARMY SERVICE FORCES, 15 NOV. 1944****QUICK REFERENCE INDEX****General Information****ORD 7
Organizational Spare Parts
and Equipment****ORD 8
Higher Echelon Spare Parts
and Equipment (Addendum)****ORD 9
Service Parts Catalog**

06 Electrical

10A Dolly

11 Rear Axle

12 Brake

13 Wheels, Hubs and Drums

15 Frames and Brackets

16 Spring and Shock Absorber

18 Body

20 Pump and Engine

21 Bumper

22 Misc. Body Chassis and
Accessories23 General Use Standardized
Parts Group**NOTES****INDEXES**

GENERAL INFORMATION

For full information relative to Standard Nomenclature Lists, the procedure followed and the principles employed in the compilation, together with the purposes and uses thereof, see the Introduction to the Ordnance Catalog (ORD 1 IOC), the Ordnance Provision System Regulation (OPSR) and the Ordnance Publications for Supply Index (ORD 2 OPSI).

The Standard Nomenclature List for major items consists of three main parts:

The Organizational Spare Parts and Equipment (ORD 7), the Higher Echelon Spare Parts and Equipment (Addendum) (ORD 8), and the Service Parts Catalog (ORD 9). These three subdivisions may be published separately or may be combined. In the case of this publication, they are combined into one volume.

On the flyleaf of each of the several sub-divisions in the book will be found appropriate explanations of the contents of each section and their uses. These are important and must be observed for proper understanding.

SCOPE

This Standard Nomenclature List contains information for the identification and requisition of all available spare parts for the vehicles and/or models listed below.

VEHICLE MANUFACTURERS

The Heil Co.
Progress Mfg. Co.
Davis Welding and Mfg. Co.

Krieger Steel Sections, Inc.
Independent Metal Products Co.
Lufkin Foundry and Machine Co.

The explanation of O.S.P.&E. (ORD 7) appears on the flysheet of the ORD 7 Section, and the explanation for the illustrated H.E.S.P.&E. (ORD 8) appears on the flysheet to the ORD 8 Section, and the explanation of Service Parts Catalog (ORD 9) appears on the flysheet to the ORD 9 Section.

FEATURES OF THIS PUBLICATION

The following paragraphs explain various important details with which the user should be familiar for proper understanding of the catalog and practices peculiar to this book:

STANDARDIZED GOVERNMENT GROUPING

The parts listed in this catalog are divided into groups and sub-groups in accordance with the Standardized Government Grouping. This division into groups facilitates the location and identification of each part. The Standardized Government Grouping as adapted to this catalog is outlined on page 6.

ILLUSTRATIONS

Exploded views are used throughout the Service Parts Catalog (ORD 9) of this catalog to aid the user in locating and identifying parts. All illustrations are placed as closely as possible to the groups to which they apply. On each illustration or separate reference legend the noun name, part number and appropriate group number of each part illustrated are given. This promotes the quick identification of each part and accurate reference to the text for complete listing. Each illustration is identified by a figure number and title and in the index section at the back of the catalog will be found an index of all figures and the pages on which they appear.

COMPONENTS OF KITS, SETS AND ASSEMBLIES

Whenever any doubt may exist, as to what items are included as components of kits, sets or assemblies, an explanatory note or a complete listing of such components is shown. In the case of items which are both separately listed and are components of kits or sets, suitable cross reference notations will be found throughout the text.

ATTACHING PARTS

Attaching parts such as bolts, nuts and rivets, etc., are indented immediately below the part which they attach where listed in the Service Parts Catalog (ORD 9). This promotes quick selection of the parts to be requisitioned for use in the installation of other parts. In the Higher Echelon Spare Parts and Equipment (Addendum) (ORD 8), attach-parts are not listed in the same manner as in the Service Part Catalog. If the item is "special" it is listed in its own alphabetical place in the group. If it is "standard," whether or not it is an attaching part, it will be found only in group 2304.

STANDARD HARDWARE AND BULK MATERIAL

In the Service Parts Catalog (ORD 9) the standard hardware is listed at each point of use throughout the groups. In the Higher Echelon Spare Parts and Equipment (Addendum) (ORD 8) it is listed only in group 2304.

INDEXES

Indexes are listed in the back of the book in the following sequence: Illustrations, Alphabetical, Numerical (Ordnance Drawing Numbers, Manufacturers' and Vendors' Part Numbers, and Official Stock Numbers).

OFFICIAL STOCK NUMBER

The Prefix Letter and Number of the Official Stock Number (i.e. G104-XX-XXXXX, G103-XX-XXXXX or G167-XX-XXXXX) signifies that the particular Part of Component was originally coded under the major item designation for that SNL, and does NOT mean that the Part is used ONLY in that major item. All subsequent Lists for different vehicles will include the same Official Stock Number for this same part.

When ordering, include the Official Stock Number all Part numbers and Nomenclature shown for the part.

"The major item covered by this catalog is designated as a General Purpose Vehicle, as defined in paragraph 3, AR 850-15, dated August 28, 1943.

IDENTIFICATION PLATES

TRAILER SERIAL NO. PLATE—Front Head
AXLE—Axle Beam
ENGINE—Blower Housing
PUMP—Pump Housing
DOLLY AXLE—Axle Beam
DOLLY—Rear Cross Member of Dolly Frame

DEFINITION OF LOCATIONAL TERMS

The location of some items is indicated by "Left" or "Right." "Left" means that the item is to the left of a similar item designated "Right" as one looks toward the front of the vehicle. The terms "Front and Rear" are applied from this same point of view.

MANUFACTURERS' IDENTIFICATION SYMBOL

Identification symbols have been assigned to manufacturers part numbers. These symbols are prefixed to the part numbers in this book and a list of manufacturers is shown on page 5.

HOW TO FIND PARTS

This catalog is arranged and cross-indexed so that parts can be found easily even though only one of the several identifying factors is known. The various ways in which parts can be located are as follows:

If the nomenclature (basic name) only is known, and the sub-group is not, refer to the alphabetical index in the back of the book. This index will give the sub-group in which the part is listed. As the part names are arranged in alphabetical order within this sub-group, the complete listing of the part can readily be found.

If any one of the Part Numbers—Ordnance Number, Official Stock Number, or Manufacturer's Number—is known, refer to the appropriate numerical index the back of the book. This index will give the sub-group number from which the part can be found by following the procedure given in the previous paragraph.

If the use, or function, or location of the part is known, refer to the illustration index to determine in which plate or plates the part is likely to appear; then turn to these plates until a picture of the part is found. The arrow pointing to the part will lead out to a listing of the name, part number and sub-group number, which will permit locating the complete listing of the part.

THE PARTS SHOWN IN THIS PUBLICATION ARE ALL THE AUTHORIZED ITEMS OF ISSUE AVAILABLE FOR MAINTENANCE OF THE SUBJECT VEHICLE AND ARE THE ONLY ITEMS AVAILABLE FOR ISSUE. ITEMS THAT ARE NOT AUTHORIZED FOR ISSUE ARE THOSE ITEMS WHICH ARE NOT CONSIDERED ESSENTIAL FOR EFFICIENT MAINTENANCE OF THE VEHICLE. NORMALLY ITEMS SO OMITTED ARE ITEMS THAT ARE NON-FUNCTIONAL SUCH AS FENDERS, ETC., OR ITEMS WHICH ARE COMPONENTS OF KITS, SETS, OR ASSEMBLIES WHICH ARE AUTHORIZED FOR ISSUE.

LIST OF ABBREVIATIONS

alloy-S.....	alloy steel	NC.....	National Coarse
auto.....	automatic	NF.....	National Fine
B.C.....	bone circle	NPS.....	National Pipe Standard
b-hd.....	button head	NPSH.....	National Pipe Standard Hose thread
br.....	brass	No.....	number
countersunk-hd.....	countersunk head	O.D.....	outside diameter
cot-brd.....	cotton braid	oval-fil-hd.....	oval fillister head
cp.....	candle power	rd-hd.....	round head
cup-pt.....	cup point	reg.....	regular
CTC.....	carbon tetrachloride	req.....	required
diam.....	diameter	ru.....	rubber
ft.....	feet	S.....	steel
fl.....	flat	SAE.....	Society of Automotive Engineers
fl-hd.....	flat head	s-fin.....	steel finish
hex.....	hexagon	sgle. cond.....	single conductor
hex-hd.....	hexagon head	socket-hd.....	socket head
I.D.....	inside diameter	sq.....	square
I.P.S.....	iron pipe size	sq-hd.....	square head
in.....	inch	thd.....	thread
ins.....	insulated	unfin.....	unfinished
lacqd.....	lacquered	w/.....	with
lgth.....	length	w/o.....	without
mtg.....	mounting		

MANUFACTURERS' IDENTIFICATION SYMBOLS

AL	Electric Auto-Lite Corporation, Main Post Office Box 931, Toledo 1, O.
ATE	Austin Trailer Equipment Company, 1184 W. Western Ave., Muskegon 81, Mich.
BR	Briggs & Stratton Corporation, 2711 N. 13th St., Milwaukee 1, Wis.
BW	Budd Wheel Company, 12141 Charlevoix, Detroit 14, Mich.
BWE	Bendix-Westinghouse Automotive Air Brake Company, 901 Cleveland St., Elyria, O.
COT	C-O-Two Fire Equipment Company, U. S. Highway No. 1, Newark 1, N. J.
CL	Clum Manufacturing Company, 601 W. National Ave., Milwaukee 4, Wis.
CLB	Clay & Bailey Manufacturing Company, 40th and Fremont Ave., Kansas 3, Mo.
CP	Champion Spark Plug Company, 900 Upton Ave., Toledo 1, O.
CVT	Covert Manufacturing Company, Box 778, Troy, N. Y.
EB	Eberhard Manufacturing Company, 2734 Tennyson Road, S.E., Cleveland 4, O.
FTC	Fontaine Truck Company, 3827 First Ave., N., Birmingham 6, Ala.
GDC	The General Detroit Corporation, 2272 E. Jefferson Ave., Detroit 7, Mich.
HC	Cole-Heisee Company, 54 Old Colony Ave., So. Boston 27, Mass.
HLC	The Heil Company, 3000 W. Montana St., Milwaukee 1, Wis.
IB	Imperial Brass Manufacturing Company, 1200 W. Harrison St., Chicago 7, Ill.
KD	K-D Lamp Company, 610 W. Court St., Cincinnati 3, O.
KH	Kickhaefer Manufacturing Company, 901 S. 2nd St., Milwaukee 4, Wis.
MAR	Maremont Automotive Products, Inc., 1600 S. Ashland Ave., Chicago 8, Ill.
MBR	Morrison Brothers, E. 24th St., Dubuque, Ia.
MSP	Midland Steel Products Company, W. 106th St. and Madison Ave., Cleveland 1, O.
MVC	Milwaukee Valve Company, 2375 So. Burrel, Milwaukee 7, Wis.
ON	Ohio Pattern Works & Foundry, 2735 Colerain Ave., Cincinnati 25, O.
PHC	Pritzlaff Hardware Company, 333 N. Plankinton Ave., Milwaukee 1, Wis.
PVC	Philadelphia Valve Company, Aramingo Ave. and Ontario St., Philadelphia, Pa.
TB	Thomas & Betts Company, 36 Butler St., Elizabeth 1, N. J.
TD	Timken-Detroit Axle Company, 100-400 Clark Ave., Detroit 32, Mich.
TIM	Timken Roller Bearing Company, 1935 Kelley Ave., Canton, O.
WEB	Warner Electric Brake Manufacturing Company, Beloit, Wis.
YA	Yale & Towne Manufacturing Company, 4530 Tacony St., Philadelphia 24, Pa.

STANDARDIZED GOVERNMENT GROUPING

06—ELECTRICAL GROUP

0606 Switches
 0606B Chassis Wiring
 0606F Trailer Coupling Parts
 0607C Fuses
 0608 Taillights

10A—DOLLY GROUP

10A1 Dolly Frame and Brackets
 10B1 Dolly Drawbar
 10C1 Dolly Check and Safety Chains
 10D1 Dolly Springs
 10E1 Dolly Spring Shackles and
 Attaching Parts
 10F1 Dolly Radius Rods
 10G1 Dolly Axle
 10H1 Dolly Wheels, Hubs and Studs
 10J1 Dolly Bearings, Retainers and Seals
 10K1 Dolly Fifth Wheel

11—REAR AXLE GROUP

1108 Axle Beams and Supports

12—BRAKE

1202 Shoes and Facings
 1203 Brake Shoe Support, Spider and
 Dustshields
 1203A Guide Spring
 1203C Slack Adjuster
 1203C-1 Slack Adjuster
 1203D Brake Camshaft
 1207B Brake Diaphragm Chambers—Rear
 1207B-1 Brake Diaphragm Chambers—Rear
 1209B Hose, Couplings and Connections
 1209C Tubes, Couplings and Connections
 1209D Brackets
 1209E Relay Valve
 1209J Reservoir Tank
 1209M Filters
 1209N Cut-out Cock

13—WHEELS, HUBS AND DRUM GROUP

1301 Wheel Assembly
 1301A Bearings
 1301B Seals
 1302 Hubs and Drums
 1302A Wheel Studs and Nuts

15—FRAMES AND BRACKETS GROUP

1500 Frame and Brackets
 1502 Pintle Hook
 1508 Landing Gear

16—SPRING AND SHOCK ABSORBER GROUP

1601A Rear Spring
 1602 Shackles and Spring Attaching Parts
 1604 Radius Rods

18—BODY GROUP

1805 Door Assemblies
 1805A Door Hinges
 1805B Door Locks
 1805D Door Handles
 1817 Tool Box
 1819 Miscellaneous
 1820B Manhole Cover, Vents
 1820C Emergency Valve and Operator
 1820D Faucet
 1820E Piping
 1820K Hose and Hose Nozzles

20—PUMP AND ENGINE GROUP

20D1 Pump Assembly
 20E1 Engine and Parts
 20F1 Engine Fuel System Parts
 20G1 Engine Electrical System Parts
 20H1 Engine Reduction Gear
 20J1 Engine Coupling

21—BUMPER GROUP

2101 Bumper

22—MISCELLANEOUS CHASSIS AND ACCESSORIES GROUP

2203A Reflectors

23—GENERAL USE STANDARDIZED PARTS GROUP

2301 Vehicular Common Tools
 2301A Vehicular Special Tools
 2301B Vehicular Equipment and
 Accessories
 2304G Nuts
 2304K Screws
 2304 Wire
 2304L Washers
 2306 Tires and Tubes

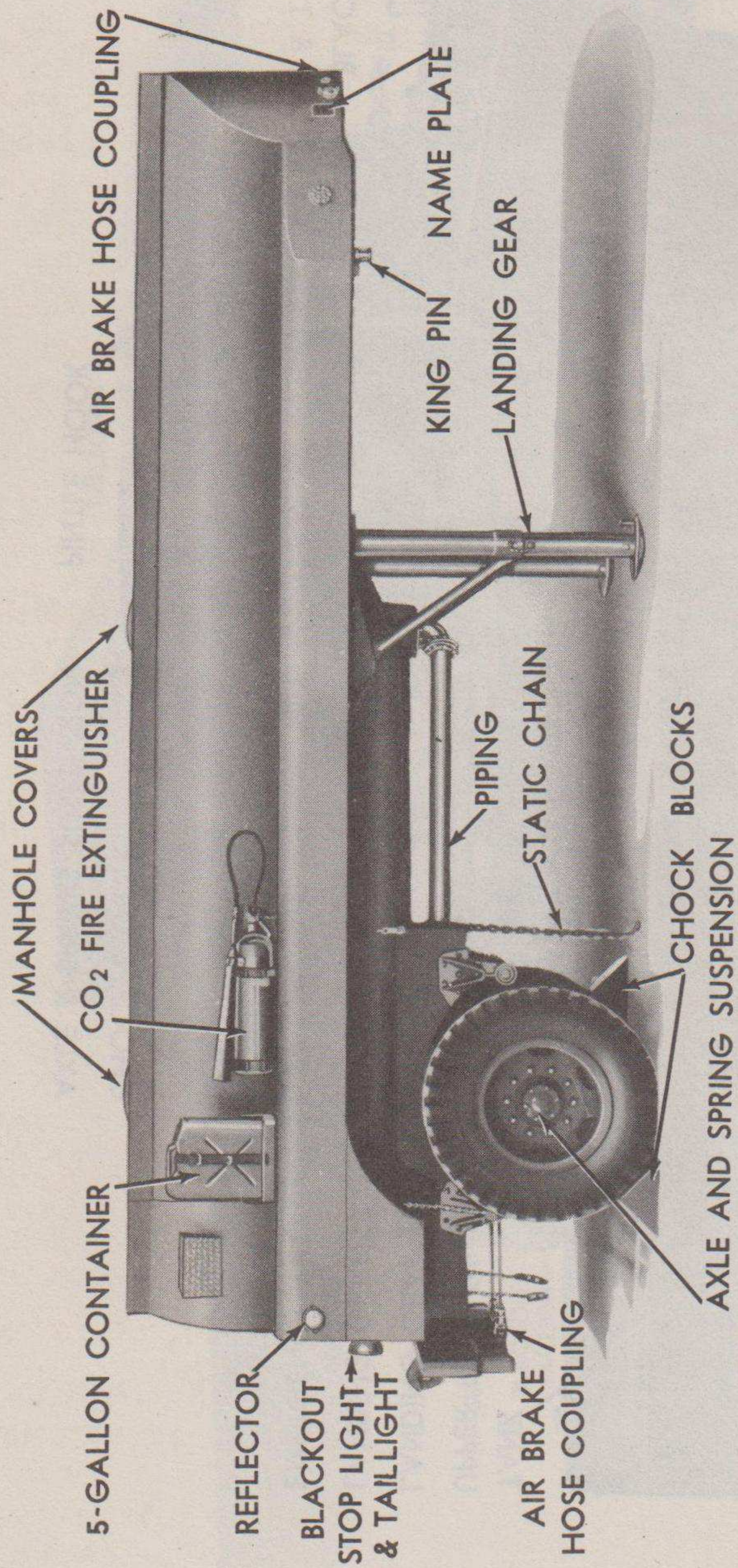


FIGURE A—RIGHT SIDE VIEW OF SEMITRAILER

RA PD 332696

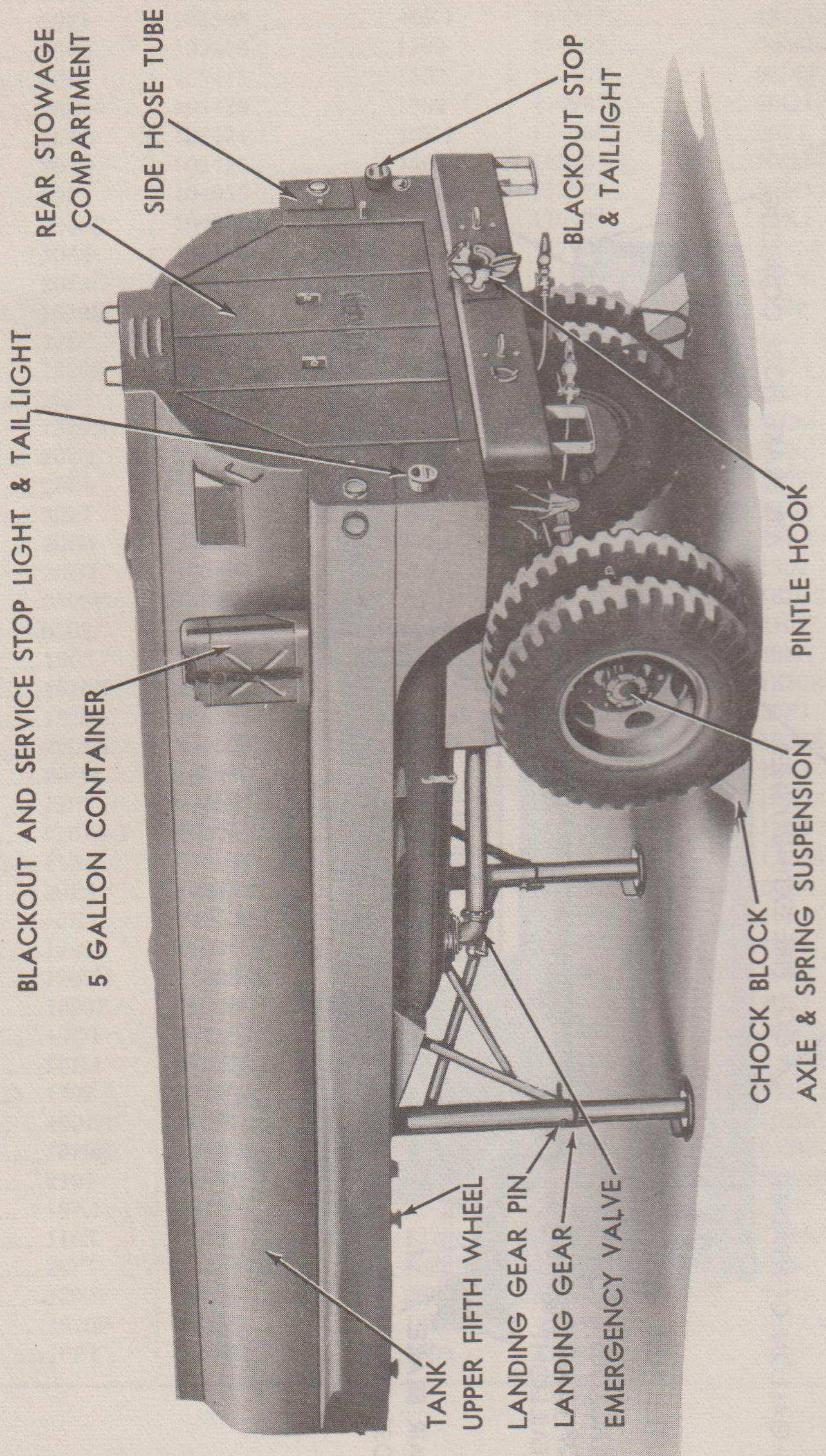


FIGURE B—LEFT REAR VIEW OF SEMITRAILER

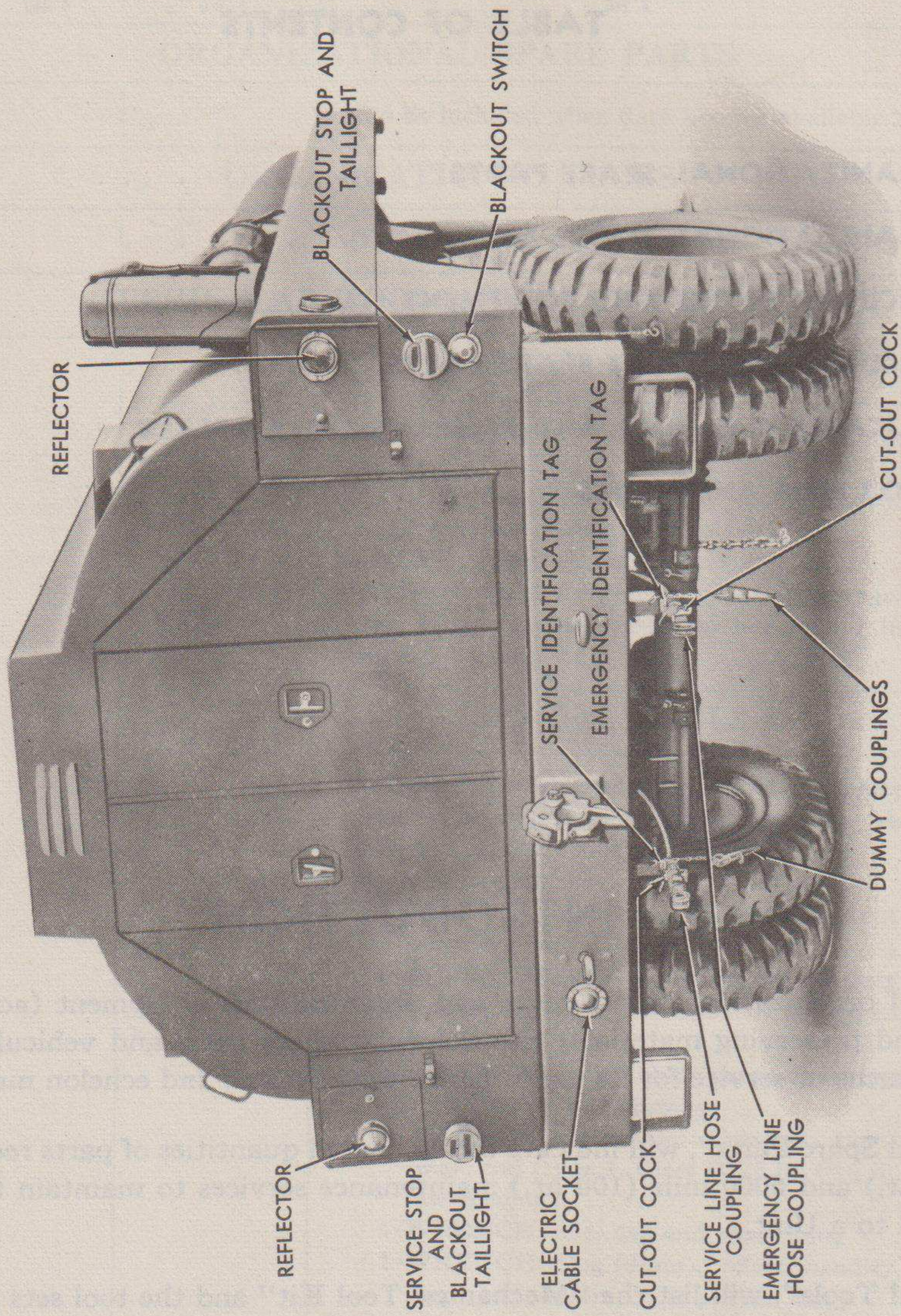


FIGURE C—REAR OF SEMITRAILER SHOWING AIR BRAKE AND ELECTRICAL CONNECTIONS

ORD 7

Organizational Spare Parts and Equipment

TABLE OF CONTENTS

	Page
ORGANIZATIONAL SPARE PARTS	11
ORGANIZATIONAL TOOLS	11
VEHICULAR TOOLS AND EQUIPMENT	11
VEHICULAR EQUIPMENT SPARE PARTS	12
APPLICABLE CLEANING AND PRESERVING MATERIALS	13
MAJOR ITEM AND NOTES	13

INTRODUCTION

This is a list of organizational spare parts and organizational equipment (accessories; tools; and applicable cleaning and preserving materials) also vehicular spare parts and vehicular equipment which are issued to the using arms or service for its use in performing 1st and 2nd echelon maintenance.

“Organizational Spare Parts”, will indicate the estimated quantities of parts required by Units performing 1000 mile (50 hr.) and 6000 mile (100 hr.) maintenance services to maintain the various quantities of the vehicle assigned to a Unit.

“Organizational Tools”, will list the “Mechanics’ Tool Kit” and the tool sets allocated to each “Company, Batalion Crew or Regiment Maintenance Platoon.” The figures will indicate the quantities of each of the component tools comprising the kit or set.

This standard nomenclature list is supplemental to Tables of Organization and Equipment (T/O&E), Tables of Basic Allowances (T/BA) and Tables of Allowances (T/A). It is therefore imperative that it be in the hands of all organizations and establishments concerned.

ORGANIZATIONAL SPARE PARTS AND EQUIPMENT

Figure Number	Official Stock Number	Part Number		ITEM	Quantity per Vehicle	Note Symbol
	Order and Store By This Number	Ordnance	Manufacturer			
Col. 1	Col. 2	Col. 3	Col. 4	Col. 5	Col. 6	Col. 7
ORGANIZATIONAL SPARE PARTS						
(To be included when data become available.)						
ORGANIZATIONAL TOOLS						
(To be included when data become available.)						
VEHICULAR TOOLS AND EQUIPMENT						
COMMON TOOLS						
	58-E-202			EXTINGUISHER, fire, CTC, 1-quart, w/ BRACKET.....	1	K-2 W
	58-E-201-20			EXTINGUISHER, fire, portable, carbon dioxide, hand, permanent seat type valve, 15 lb.....	1	K-2 W
	41-H-1517-50			HANDLE, wheel stud nut wrench.....	1	W
	41-W-3838-30			WRENCH, wheel stud nut, double end, hexagon and square opening, 1 ³³ / ₆₄ in. hex., 0.817 in. square, 14 ⁷ / ₈ in. long.....	1	W
SPECIAL TOOLS						
				TOOL-SET, portable gasoline dispensing pump (not to be requisitioned as an assembly; re- quisition by components only) (Consisting of:	1	W
	41-P-1650			1-PLIERS, combination, slip joint, wire cut- cutting, 6 in.....		J-2 W
	41-S-1106			1-SCREWDRIVER, common, normal duty, single grip (type III, Class C), 8 x ³ / ₈ in. blade.....		W
	41-W-446			1-WRENCH, adjustable, automobile type, 8 in. (1 ¹ / ₂ in. jaw opening).....		J-4 W
	41-W-486			1-WRENCH, adjustable, Crescent type, single end (type 1, Class B), 8 in. (1 ⁵ / ₁₆ in. jaw opening).....		J-4 W
	41-W-1472			1-WRENCH, filler cap and spark plug.....		G-27 W
	41-W-1952-40			1-WRENCH, plug (drain), offset handle, single end, square, ³ / ₈ in., 10 in. long).....		W
	41-W-2612-25			WRENCH, wheel bearing nut, double end, hex- agon opening, size of openings, 3 ⁵ / ₁₆ and 3 ⁷ / ₈	1	W
EQUIPMENT AND ACCESSORIES						
				BOOK, ORD 7-8-9 SNL G-678 (combined OSP&E, HESP & E (Addendum) and Service Parts Catalog).....	1	
				BOOK, Technical Manual 9-891 (Additional issue by the Adjutant General is as indicated in FM 21-6).....	1	
				HANDLE, fuel faucet.....	2	W
				HOSE, gravity dispensor (discharge unit).....	2	
				HOSE, suction (pump).....	1	
		C153038				
		C153039				

ORGANIZATIONAL SPARE PARTS AND EQUIPMENT

Figure Number	Official Stock Number	Part Number		ITEM	Quantity per Vehicle	Note Symbol	
	Order and Store By This Number	Ordinance	Manufacturer				
Col. 1	Col. 2	Col. 3	Col. 4	Col. 5	Col. 6	Col. 7	
		VEHICULAR TOOLS AND EQUIPMENT (cont'd.)					
		EQUIPMENT AND ACCESSORIES (Cont'd)					
	4180-A57-24	C153040	HLC-A57-24	HOSE, discharge and nozzles (pump).....	1		
				HOSE, fuel, wire stiffened, suction type, 2 in. x 14 ft., w/male and female COUPLINGS, 2 in. NPSH, assembly.....	2		
		C152765		PUMP, portable, fuel refueling unit.....	1	W	
				ROD, gage.....	1	W	
		ISSUED BY OTHER TECHNICAL SERVICES					
	42-D-1280			The following items of equipment procured, stored and issued by Technical Services other than the Ordnance Department, are issued initially with the vehicle described herein. Replacements only will be requisitioned on the appropriate Technical Service in the usual manner in accordance with current regulations:			
				DRUM, inflammable liquid (gasoline), steel with carrying handle, 5 gal.....	2	QMC W	
		VEHICULAR EQUIPMENT SPARE PARTS					
	G694-7009235		ON-132BG	ADAPTOR, bronze faucet, quick hose coupling, 2 in., female pipe thread.....	1		
	G694-7009236		ON-H4277M	(Includes: 1-GASKET, ring, plain)			
	G678-70-09359		YA-J1616	DISC, coupling, flexible drive.....	1		
	G678-7009382		ON-M662	DISC, valve, discharge nozzle.....	6		
		QM-06915WS		FUNNEL, fuel, 1 1/2 gallon capacity, w/STRAINER.....	1		
	G678-70-09354		YA-J764	GASKET, body end cap.....	1		
	A054-01-94338		BR-68987	GASKET, carburetor to elbow.....	1		
	G678-70-09378		ON-HM440	GASKET, cork (strainer body nut cap).....	2		
	G678-07-09362		YA-J757	GASKET, control head.....	1		
	A054-01-94435		BR-68477	GASKET, fuel filter bowl.....	1		
	A054-01-94365		BR-67537	GASKET, cylinder head.....	1		
	G694-7009236		ON-H4277M	GASKET, ring, plain.....	2		
	G694-7009233		ON-HM72	GASKET, ring, quick hose coupler (7/32 x 3 5/16 O.D.) (use w/132 EG dust cap and 128R lock ring)...	7		
	G678-7035103		ON-H3927M	GASKET, ring, dust cap plug, 7/32 in. x 1 in. outside diameter (Used with ON-531F dust cap)...	4		
	1090-290307		BR-290307	KIT, repair, magneto breaker point.....	1		
				(Consists of:			
	A054-03-42184		BR-29667	1-POINT, breaker assembly			
	A054-03-40825		BR-65704	1-PLUNGER, fibre			
	H001-10-30079	110986	BR-90067	1-SCREW, machine, rd-hd., S., No. 8-32 NC (0.164)-2 x 5/16.....		H-1	
	H001-15-30004	114986	BR-38852	1-WASHER, plain, S., SAE Std., No. 8, (0.164) (3/16 in. I.D. x 7/16 in O.D. x 3/64 in. thick).....		H-1	
	H001-15-19006	115544	BR-92317	1-WASHER, lock, internal teeth, reg., S., No. 8, (0.164).....		H-1	

ORGANIZATIONAL SPARE PARTS AND EQUIPMENT

Figure Number	Official Stock Number	Part Number		ITEM	Quantity per Vehicle	Note Symbol
	Order and Store By This Number	Ordnance	Manufacturer			
Col. 1	Col. 2	Col. 3	Col. 4	Col. 5	Col. 6	Col. 7
VEHICULAR EQUIPMENT SPARE PARTS (cont'd.)						
	1090-290392		BR-290392	KIT, repair, condenser, magneto	1	
	H001-10-30078	100749	BR-29861 BR-90066	(Consists of: 1-CONDENSER 1-SCREW, machine, rd-hd., S., No. 8 (0.164)- 32 NC-2 x 1/4		H-1
	H001-15-18004	106496	BR-91661	1-WASHER, lock, reg., S., No. 8, (0.164) (0.169 I.D. x 0.263 O.D. 3/64 x 3/64 thick)		H-1
	A054-03-40799		BR-29693 YA-J170	PACKING, 3/16 in. (graphite rope), ft. PLUG, engine, spark, 14-mm, assembly (CP-J8)	3 1	
	1090-29878		BR-29878	PACKING, gland, fuel pump	4	
	A054-03-81692		BR-62876	ROPE, engine, starter, w/HANDLE, assembly	1	
	G678-70-09369	Q83CC	YA-J1617	SCREEN, engine, fuel filter	1	
				SCREWS, set, hdls., cup-pt., S., 1/4-20 x 1/2 in. (on coupler flange for fuel pump)	2	
APPLICABLE CLEANING AND PRESERVING MATERIALS						
				See ORD 5 SNL K-1, See TM 9-850 for usage.		

MAJOR ITEM

Note Symbol Class Division

φ W -- . . Semitrailer, 6-ton payload, 10-ton gross, 2 wheel, fuel tank, 2000 gal. (Model ST-6-2M).

NOTES

The SNL reference in the note symbol column indicates the SNL in which the item is stored, issued, and reviewed.

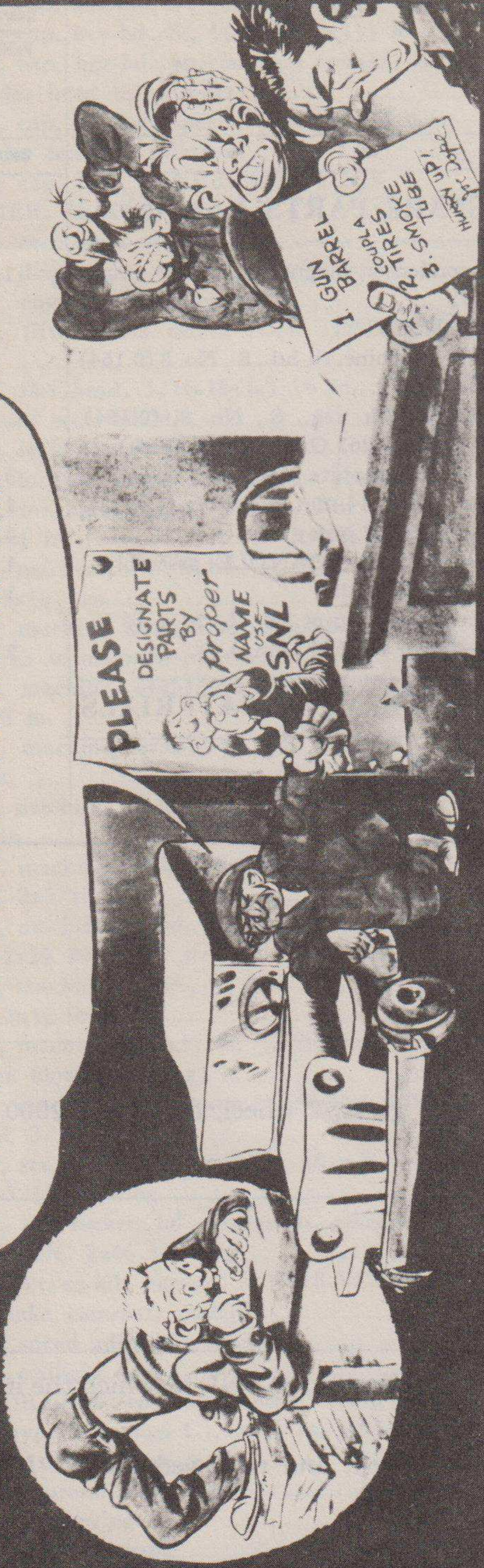
φ The major item indicated by (φ) is stored, issued, and reviewed under "Major Items," ORD 3 SNL G-1.

W (a) Items indicated by (W) are non-expendable.

 (b) Items not marked by (W) are expendable.

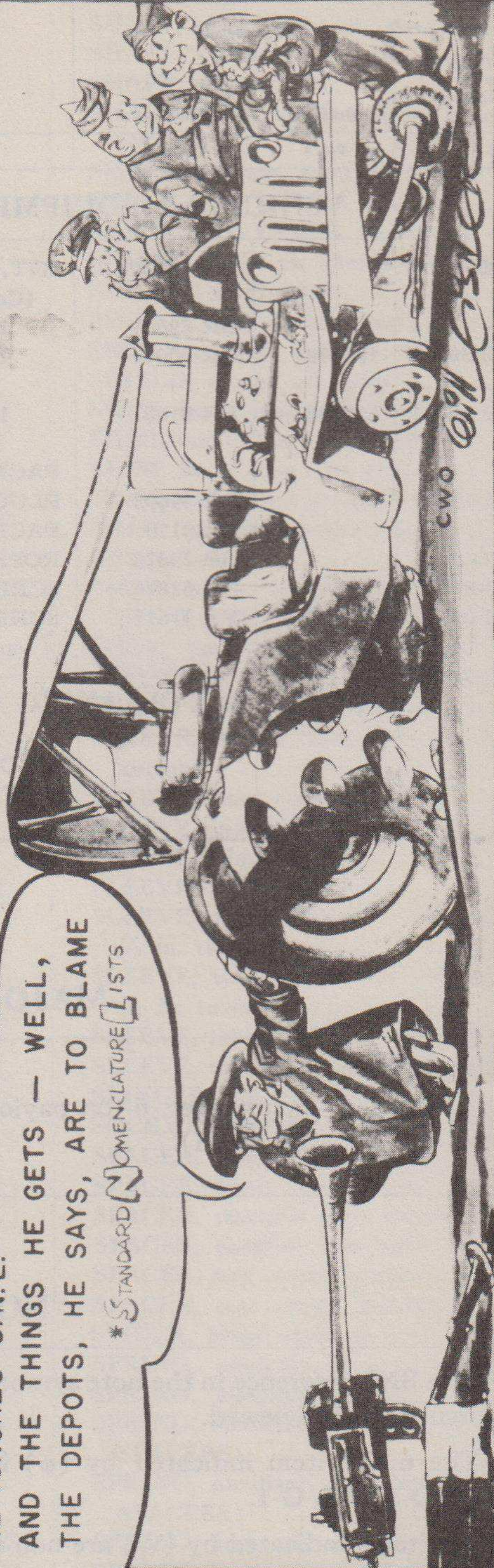
QMC Quartermaster Department

THE POET SAYS "WHAT'S IN A NAME?"
AND JOE DOPE THINKS EXACTLY THE SAME



HE IGNORES S.N.L.*
AND THE THINGS HE GETS — WELL,
THE DEPOTS, HE SAYS, ARE TO BLAME

*STANDARD NOMENCLATURE LISTS



Don't be a dope ORDER EQUIPMENT RIGHT!

HIGHER ECHELON SPARE PARTS AND EQUIPMENT (ADDENDUM) (ORD 8)

In this section are listed the parts and equipment available for issue to Ordnance Units for the maintenance of the Semitrailer, 6 ton payload, 10 ton gross, 2 wheel fuel tank, 2000 gallons. The quantities shown (cols. 5, 6, 7) are those required for the maintenance of 100 vehicles for 12 months in a Theater of Operations. Column 5 lists the quantities applicable to Ordnance Field Units. Column 6 lists the quantities applicable to Ordnance Base Units. Column 7 lists the total first year procurement quantities for 100 major items.

Using troops performing first and second echelon maintenance are authorized to requisition any parts marked by a percent (%) sign in column 5, as well as any standard hardware, for immediate replacement purposes. They are not authorized to requisition any other parts. However, all parts marked with a percent (%) sign are not necessarily included in the Organizational Spare Parts and Equipment List (ORD 7). Normally only those parts shown in the Organizational Spare Parts and Equipment List (ORD 7) are carried. However, any parts marked with a percent sign in column 5 may be requisitioned for immediate replacement purposes, provided time and the tactical situation permit, and trained personnel and suitable tools are available.

Column 5 will be used as a guide for computing normal field requirements and also in computing Ordnance Depot Company Stocks where major overhaul operations are not involved. (Normally no major overhaul operations are conducted within a Field Army.) Column 6 will be used as a guide in computing stock for depot units of ordnance organizations performing major overhaul. (For example: Depot Companies in fixed Ordnance Base installations.)

Recommendations for additions to or reductions of quantities of spare parts to be listed in this SNL should be forwarded to the Chief of Ordnance with reasons therefore.

In order that the Ordnance Department at large may be able to make equitable distribution of the total stock of any one item, ordnance organization commanders should limit their requisitions and stocks to the absolute minimum requirements that are estimated to be necessary for each contemplated tactical operation. The Chief Ordnance Officer of a task force is responsible that various ordnance units in the task force do not use the same major items in computing their stocks; e.g., if there is a grand total of 168 Semitrailers in the entire force, each ordnance unit in the task force should not claim the entire 168 Semitrailers as a basis for computing its stocks. The Chief Ordnance Officer must allocate, for spare parts stockage purposes, the major items of the task force among the various ordnance units of the task force. See "Supply Functions of Company," FM 9-10, Ordnance Field Maintenance.

ATTACHING PARTS

Attaching parts which are Standard hardware items are shown only in Group 23 where total maintenance quantities for one hundred (100) major items are listed.

STANDARD HARDWARE AND BULK MATERIAL

A complete resume of all Standard hardware and bulk material procured for the vehicle will be found in Group 23. In order to obtain the quantity of attaching parts for a particular use, refer to ORD 9 where the attaching parts are indented immediately following the part they attach.

THE PARTS SHOWN IN THIS PUBLICATION ARE ALL THE AUTHORIZED ITEMS OF ISSUE AVAILABLE FOR MAINTENANCE OF THE SUBJECT VEHICLE AND ARE THE ONLY ITEMS AVAILABLE FOR ISSUE.

MAJOR ITEMS AUTHORIZED FOR UNIT REPLACEMENT FOR 100 VEHICLES FOR 12 MONTHS

SEMITRAILER, 6-ton payload, 10 ton gross, 2 wheel, fuel tank, 2000 gallon (Model ST-6-2M).....34

Official Stock Number	Order and Store by This Number	Part Number		ITEM	Per 100 Major Items			Note Sym-bol ϕ W	
		Ordnance	Manufacturer		12 Mos. Field Maintenance	Major Overhaul (5th Ech.)	Total First Year Spare Parts		
									Col. 1
H004-506603		C87132C	HC-2480	GROUP 06—ELECTRICAL 0606—SWITCHES SWITCH, blackout, less cover.....	%	4		5	H-4
H004-03-70040		A213823C	TB-B77 TB-B36 AL-100149 or equal AL-104672 or equal	0606B—CHASSIS WIRING TERMINAL, wire, eyelet type, No. 8 screw, hole, 14 gauge or 16 gauge wire. TERMINAL, wire, eyelet type, No. 10 screw, hole, 14 gauge or 16 gauge wire. WIRE, 14 gauge, single conductor, tail light, 100 ft. spool..... WIRE, 16 gauge, single conductor, front socket to rear socket, 100 ft. spool.....	%	20 10 3 3	30 15	60 55 4 4	H-4
9400-3703 G102-04-0526 9400-11296B			WEB-3703 WEB-11935B WEB-11296B WEB-110007	0606F—TRAILER ELECTRIC COUPLING PARTS CABLE, coupling, 8 ft. 6 in. long, (trailer to trailer)..... COVER, coupling socket, assembly (Hinged)..... KIT, repair, coupling socket and mounting..... (Consists of: 4-NUT, regular hex., S-Fin., S. 1/4-28-NF-2 2-SCREW, cap, hex-hd., S., 1/4-28NF-2X1 in. 2-SCREW, cap, hex-hd., S., 1/4-28NF-2 x 3/4 in. 4-WASHER, lock, reg., S., 1/4 in.)	%	9 9 9		10 10 10	H-1 H-1 H-1
D017-03-9544 F226-02-42470 H004-03-55720			WEB-20099 WEB-20098 WEB-3529	RING, retaining, socket cover dust seal..... SHIELD, dust, socket cover..... SOCKET, coupling, assembly, less cover.....	%	4 9 9		5 10 10	H-4
H004-504432 H004-504430 H004-504420			KD-2461 KD-2460 KD-8040-6V	0608—TAILLIGHTS DOOR, taillight, left hand..... DOOR, taillight, right hand..... LAMP-UNIT, blackout tail, sealed, 4 opening 6 v., 3 Cp., assembly (lower left and right).....	%	4 4		5 5	H-4 H-4
H004-504423 H004-504417 H004-504406			KD-8041-6V KD-8039-6V KD-950-1-6V	LAMP-UNIT, blackout stop, sealed, one opening, 6 v., 3 cp., assembly (upper, right)..... LAMP-UNIT, service tail and stop, sealed, 6 v., assembly (upper, left)..... LIGHT, blackout tail and service tail and stop, 6 v., 7/8 in. long mounting stud, assembly (left).....	%	9 4 4		10 5 5	H-4 H-4 H-4
H004-504413 H001-1030088			KD-951-1-6V KD-6798	LIGHT, blackout tail and blackout stop, 6 v., 7/8 in. long mounting stud, assembly (right)..... SCREW, taillight door.....	%	4 18		5 20	H-4 H-1

Col. 1	Col. 2	Col. 3	Col. 4	Col. 5	Col. 6	Col. 7	Col. 8
			GROUP 10A—DOLLY 10C1—DOLLY CHECK AND SAFETY CHAINS				
0360-3087		HLC-3087	BOLT, eye, 7/8-14, NC-2 safety chain.....	% 9		10	
11B2961		HLC-11B2961	BRACKET, check chain.....	% 9		10	
0360-P187		HLC-P-187	CHAIN, check, assembly.....	% 9		10	
0360-P138		HLC-P-138	CHAIN, safety, assembly.....	% 18		20	
0360-19A399		HLC-19A399	SPRING, check chain.....	% 9		10	
			10D1—DOLLY SPRINGS				
G678-70-09305		MAR-48-985	BOLT, spring center.....	% 18		20	
G678-70-35112		MAR-X-2-290	BOLT, spring rebound clip, w/NUT, assembly.....	% 36		40	
G678-70-35110		MAR-33-243	CLIP, rebound, bolt type, main spring, large.....	% 18		20	
G678-70-09302		MAR-33-244	CLIP, rebound, clinch type, auxiliary spring.....	% 9		10	
G678-70-09308		MAR-33-242	CLIP, rebound, bolt type, main spring, small.....	% 18		20	
G678-70-35114		MAR-19B401-1A	LEAF, #1, auxiliary spring.....	% 4		5	
G678-70-09306		MAR-19B401-1M	LEAF, #1 main spring.....	% 18		20	
G678-70-35115		MAR-19B401-2A	LEAF, #2, auxiliary spring.....	% 4		5	
G678-70-35108		MAR-19B401-2	LEAF, #2, main spring.....	% 18		20	
G678-70-35109		MAR-34-2871	PLATE, spring spacer, (between main and auxiliary springs).....	% 4		5	
G678-70-39299		MAR-19B401-A	SPRING, auxiliary, assembly, (3 leaves w/2 SPACERS).....	% 4		5	
G678-70-35117		MAR-19B401M	SPRING, main, assembly (8 leaves).....	% 9		10	
G678-70-35111		MAR-34-487	TUBE, rebound clip spacer.....	% 18		20	
			10E1—DOLLY SPRING SHACKLES AND ATTACHING PARTS				
G678-70-35119		HLC-141B15	CLAMP, upper spring.....	% 9		10	
4180-170558		HLC-36B128	CLAMP, lower spring.....	% 9		10	
G678-70-35120		HLC-170558	NUT, high hex. 3/4-16, U bolt.....	% 72		80	
G678-70-35118		HLC-15A665	SPACER, rear spring bracket.....	% 18		20	
4180-78A510		HLC-78A510	U-BOLT, 3/8-16 NF x 13 in. w/2 1/2 RADIUS BEND (spring clamping).....	% 36		40	
G678-70-35121		HLC-55A316	WASHER, retainer, spring bushing.....	% 9		10	
			10F1—DOLLY RADIUS RODS				
G678-70-35125		HLC-A47A215	BOLT, radius rod, front and rear.....	% 18		20	
G678-70-35126		HLC-9A952	BUSHING, rubber, radius rod.....	% 360		400	
G678-70-35124		HLC-27B1289	ROD, 16 5/16 C. to C., converter dolly radius.....	% 18		20	

GROUP 10A—DOLLY

Official Stock Number	Part Number		ITEM	Per 100 Major Items				Note Symbol
	Order and Store by This Number	Manufacturer		12 Mos. Field Maintenance	Major Overhaul (5th Ech.)	Total First Year Spare Parts		
Col. 1	Col. 2	Col. 3	Col. 4	Col. 5	Col. 6	Col. 7	Col. 8	
6678-70-35104 G116-03-02200 G067-03-00740 G102-03-07225		TD-A1-3274-J-114 TD-AT-6880 TD-T3564 TD-T3840	10G1—DOLLY AXLE BEAM, axle, (w/SPRING SEATS), assembly NUT, wheel bearing, inner NUT, wheel bearing, outer WASHER, lock, wheel pin type bearing nut	2 24 24 24	2 12 12 12	5 40 40 40		
8500-3262-E-31 8500-2208-A105 8500-A333-W-179 H001-41-67800 D024-02-03537 D024-02-03538 D024-02-03536 D024-02-03535 H001-10-13071 G509-03-91513 G509-03-91511 H001-15-18011	BBTX1SB 537810 537809 537806 537805 BCAX1ED 103323	TD-3262-E-31 TD-2208-A105 TD-A333-W-179 TD-13X9 TD-1199-M-1053 TD-1199-N-1054 TD-1199-K-1051 TD-1199-L-1052 TD-2X43 TD-20X27 TD-20X28 TD-X531	10H1—DOLLY WHEELS, HUBS AND STUDS CAP, hub GASKET, hub cap HUB and CUP, w/o STUDS, assembly, right and left NUT, reg., hex., s., 3/4-16 NF-2 (drum to hub stud) NUT, wheel stud, inner, left NUT, wheel stud, inner, right NUT, wheel stud, outer, left NUT, wheel stud, outer, right SCREW, cap, hex. head, 1/2-13 x 1 1/4 in. (hub cap) STUD, wheel hub, left STUD, wheel hub, right WASHER, lock, reg., s., 1/2 in. (0.515 I.D. X 0.859 O.D. 11/64 x 1/8 thick)	12 60 6 95 36 36 48 48 72 36 36 72	6 30 3 45 18 18 24 24 36 18 18 36	20 100 10 150 60 60 80 80 120 60 60 120	H-1 H-14 H-14 H-14 H-14 H-1 H-14 H-14 H-1	
H012-61-28640 H012-62-12620 8500-5X139 8500-1205-M-117 8500-1205-L-116 8500-1229-W-283	706783	TIM-5557 TIM-5520 TD-5X139 TD-1205-M-117 TD-1205-L-116 TD-1229-W-283	10J1—DOLLY BEARINGS, RETAINERS & SEALS CONE and ROLLER, taper roller bearing, wheel hub, inner and outer CUP, taper roller bearing, wheel hub, outer FELT, oil seal, wheel bearing RETAINER, wheel bearing, inner, felt RETAINER, wheel bearing, outer, felt WASHER, spacing, hub	12 12 60 60 60 60	6 6 30 30 30 30	20 20 100 100 100 100	H-12 H-12	
G600-02-09299	QM-09106W	FTC-F-539-7	10K1—FIFTH WHEEL HANDLE, fifth wheel, operating (DSF-FWX-308)	6	3	10		

Col. 1	Col. 2	Col. 3	Col. 4	Col. 5	Col. 6	Col. 7	Col. 8
G600-02-40707	QM-09109W	FTC-F-539-3L	JAW, fifth wheel coupler, left (DSF-FWX-3010-L)	6	3	10	
G600-02-40708	QM-09109W	FTC-F-539-3R	JAW, fifth wheel coupler, right (DSF-FWX-3010-R)	6	3	10	
G600-02-79846	QM-09110V	FTC-F-539-10	LATCH, plunger, fifth wheel lock (DSF-FWX-3015)	6	3	10	
G600-02-71838	QM-09103V	FTC-F-539-11	LATCH, plunger, fifth wheel safety (DSF-FWX-3019)	6	3	10	
G600-03-38703	QM-09046V	FTC-F-539-15	PIN, fifth wheel coupler jaw (DSF-FWZ-3011)	12	6	20	
G600-02-79847	QM-09045W	FTC-F-539-16	PLUNGER, fifth wheel lock, assembly (DSF-FWU-306A)	6	3	10	
G544-06-66787	QM-09048V	FTC-F-539-19	SCREW, fifth wheel safety latch (DSF-FWX-3018)	6	3	10	
G600-01-25801	QM-09101V	FTC-F-540-1	SHAFT, fifth wheel support bracket (DSF-FWU-305-Q)	3	1	5	
G600-03-89794	QM-09042V	FTC-F-539-14	SPRING, fifth wheel lock latch (DSF-SP-582)	12	6	20	
G600-03-89795	QM-09049V	FTC-F-539-13	SPRING, fifth wheel plunger (DSF-SP-112512)	12	6	20	
2540-SD5240S	QM-09049V	FTC-F-539-20	STUD, fifth wheel operating handle (DSF-SD-5240S)	10	4	16	
G600-03-90262	QM-09108V	FTC-F-539-17	STUD, fifth wheel safety latch plunger (DSF-SD-3023)	10	4	16	
G544-07-88842	QM-09107V	FTC-F-539-18	WASHER, fifth wheel coupler jaw pin (DSF-FW-3022)	10	4	16	
G544-07-88841	QM-09107V	FTC-F-539-12	WASHER, fifth wheel safety latch plunger stud (DSF-FWX-3020)	10	4	16	
GROUP 11—REAR AXLE 1108—AXLE BEAMS AND SUPPORTS							
8500-A1-3274-J114		TD-A1-3274-J114	BEAM, axle, w/MOUNTING RINGS, assembly	2	2	5	
G116-03-02200		TD-AT-6880	NUT, wheel bearing, inner	% 12	6	20	
G067-03-00740		TD-T-3564	NUT, wheel bearing, outer	% 12	6	20	
G102-03-07225		TD-T3840	WASHER, lock, wheel, pin type, bearing nut	% 12	6	20	
GROUP 12—BRAKE 1202—SHOES AND FACINGS							
G509-01-29087		TD-15015	BUSHING, brake shoe	% 12	6	20	
8500-MPS-185		TD-MPS-185	KIT, repair, brake lining (for 1 axle) (Consists of: 8-LINING 32-BOLTS, flat head, brass, 3/8-16 x 1 5/16 32-NUT, regular, hex., s-fin., alloy—s.,—3/8-16NC-2 32-WASHER, lock, reg., s.,—3/8 in. (0.390 I.D. x 0.640 O.D. 1/8 x 3/32 thick)	8	12	20	
C039-02-20174		TD-2240M-585	PLATE, brake shoe cam wear	% 10	4	16	H-1
G671-70-01734	220066	TD-X1915	SCREW, flat head, 5/16-18 x 1 3/16, brake shoe cam wear plate	% 10	4	16	H-1
G510-03-84923	103321	TD-X541	SHOE, brake, lower, w/LINING, BOLTS, NUTS and WASHERS, assembly	% 5	2	8	
G510-03-84922		TD-X529	SHOE, brake, upper, w/LINING, BOLTS, NUTS and WASHERS, assembly	% 5	2	8	
		TD-2297L-168					
		TD-X1916					
		TD-A-28-3222B210					
		TD-A-27-3222B210					

GROUP 12—BRAKE

1203-1209M

Official Stock Number	Part Number		ITEM	Per 100 Major Items				Note Sym-bol
	Order and Store by This Number	Manufacturer		12 Mos. Field Maintenance	Major Overhaul (5th Ech.)	Total First Year Spare Parts	Col. 8	
Col. 1	Col. 2	Col. 3	Col. 4	Col. 5	Col. 6	Col. 7	Col. 8	
G509-01-29085		TD-1225-G-85	1203—BRAKE SHOE SUPPORT—SPIDER—DUSTSHIELDS	%	6	20	H-13	
G509-01-29094		TD-1199-F-760		%	6	20	H-1	
G671-70-01733		TD-A-1898-U203		%	6	20		
G509-02-79846		TD-1229-D-108		%	6	20		
G509-03-38702		TD-1259-B-28		%	6	20		
G500-1246-H-60		TD-1246-H-60		%	10	16		
H001-10-13018		TD-X702		%	6	20		
8500-3236-N690		TD-3236-N-690		%	6	10		
G509-03-84371		TD-A3211-Q953		%	3	6		
G509-03-89792		TD-2258-A53		%	24	40		
H001-15-18008	103320	TD-X528	%	12	20	H-1		
1203D—BRAKE CAMSHAFT								
G509-01-31485		TD-2210-B-1640	1209B—HOSE, COUPLINGS AND CONNECTIONS	%	1	5	H-6	
8500-2210-C-1641		TD-2210-C-1641		%	1	5	H-6	
8500-1199-R-434		TD-1199-R-434		%	2	8	H-6	
G509-03-82024		TD-26X4		%	6	20	H-6	
G116-18-43027		TD-1229-R-122		%	4	16	H-6	
H006-01-01045		BWE-215536		%	18	20	H-6	
G098-56-00181		BWE-220636	%	18	20	H-6		
H006-05-01658		BWE-220165	%	9	10	H-6		
H006-05-01659		BWE-220303	%	9	10	H-6		
0850-220846		BWE-220846	%	9	10	H-6		
D031-01-19951		BWE-205730	%	9	10	H-6		

(Includes:

1—BWE-101M HOSE, 3/4 in. O.D. x 3/8 in. I.D. x 32

2—BWE-215536 CONNECTORS, hose)

STUD, 1/2 in. pipe thd., cut-out cock connecting.....

Col. 1	Col. 2	Col. 3	Col. 4	Col. 5	Col. 6	Col. 7	Col. 8
			Col. 4				
			1209C—TUBES, CLIPS AND TUBE CONNECTORS				
G098-56-00050		BWE-202639	CLAMP, tubing, 3/8 in.	18		20	H-6
G098-56-00060		BWE-200406	CLIP, tubing, 1/2 in. tubing	%		10	H-6
H006-03-12600		BWE-205053	CONNECTOR, tubing, 1/4 in. pipe thread, 3/8 tube	36		40	H-6
H006-03-12620		BWE-205824	CONNECTOR, tubing, 3/8 tubing x 3/8 pipe thread	%		10	H-6
H006-03-12640		BWE-217525	CONNECTOR, tubing 3/4 in. pipe thread, 1/2 tube	%		10	H-6
		BWE-214253	ELBOW, street, 3/8 in.	%		10	H-6
G116-17-98492		BWE-205103	TEE, brakeline tubing, 1/4 in. pipe thread, 3/8 tubing	%		10	H-6
44-T-5080-25		BWE-230523	TUBING, copper, 3/8 in. (24 ft. length)	%		5	H-6
44-T-5080-30		BWE-230525	TUBING, copper, 1/2 in. (6 ft. length)	%		5	H-6
H006-03-88100		BWE-205134	UNION, tubing 3/8 emergency repair, assembly	%		10	H-6
			1209E—RELAY EMERGENCY VALVE				
0850-221385		BWE-221385	KIT, repair, relay valve	6	3	10	
			(Consists of:				
		BWE-202695	1-DIAPHRAGM				
		BWE-202744	1-DIAPHRAGM, emergency				
		BWE-221135	1-DIAPHRAGM)				
		BWE-211367	1-GASKET, cover				
		BWE-202692	1-NUT, cap				
		BWE-202869	1-RING, guide				
		BWE-204056	1-SPRING				
		BWE-202738	1-SPRING				
		BWE-202699	1-SPRING, supply avlve				
		BWE-203379	1-STEM, valve				
		BWE-202693	1-VALVE, intake				
0850-220353		BWE-220353	VALVE, relay, emergency, assembly	%	3	10	
			1209J—RESERVOIR TANK				
H006-01-00805		BWE-215310	COCK, drain reservoir, 1/4 pipe thread, assembly	%		10	H-6
H006-02-83810		BWE-203098	PLUG, pipe, 3/8 pipe thread, air reservoir	%		10	H-6
			1209M—FILTERS				
D024-02-01881		BWE-221474	FILTER, air, type E, assembly	%	3	10	
0850-221378		BWE-221378	KIT, repair, air filter, type E	%	3	10	
			(Consists of:				
		BWE-214173	1-GASKET, body				
		BWE-214174	2-GASKET, flange				
		BWE-221053	1-ELEMENT, filter (also listed separately)				

GROUP 12 — BRAKE

1209M-1601A

Official Stock Number	Part Number		ITEM	Per 100 Major Items			
	Order and Store by This Number	Ordinance		Manufacturer	Col. 1	Col. 2	Col. 3
Col. 1	Col. 2	Col. 3	Col. 4	Col. 5	Col. 6	Col. 7	Col. 8
				12 Mos. Field Maintenance	Major Overhaul (5th Ech.)	Total First Year Spare Parts	Note Symbol
0850-221371			1209M — FILTERS — (Continued)	12	6	20	
			KIT, repair, exhaust check valve.....				
			(Consists of:				
		BWE-221371	1-DIAPHRAGM				
		BWE-214232	1-SCREW				
		BWE-214235	1-WASHER				
		BWE-214233	1-WASHER)				
		BWE-214234					
D024-02-01882		BWE-221087	VALVE, exhaust check, assembly.....%	6	3	10	
			1209N—CUT-OUT COCK				
0850-205086		BWE-205086	VALVE, shut-off, cut-out cock, ½ pipe thd.....%	18		20	
			GROUP 13—WHEELS, HUBS AND DRUM				
			1301A—BEARINGS				
H012-61-28640		TIM-5557	CONE and ROLLER, taper roller bearing, wheel hub, inner and outer.....%	12	6	20	H-12
H012-62-12620	706783	TIM-5520	CUP, taper roller bearing, wheel hub inner and outer.....%	12	6	20	H-12
			1301B—SEALS				
8500-5X139		TD-5-X-139	FELT, oil seal wheel bearing.....%	60	30	200	
8500-1205-M-117		TD-1205-M-117	RETAINER, wheel bearing, inner, felt.....	60	30	100	
8500-1205-L-116		TD-1205-L-116	RETAINER, wheel bearing, outer.....	60	30	100	
8500-1229-W-283		TD-1229-W-283	WASHER, spacing hub.....	60	30	100	

Col. 1	Col. 2	Col. 3	Col. 4	Col. 5	Col. 6	Col. 7	Col. 8
			1302—HUBS AND DRUMS				
8500-3362-E-31		TD-3262-E-31	CAP, hub	12	6	20	
8500-3219-D-1460		TD-3219-D-1460	DRUM, brake	% 6	3	10	
8500-2208-A-105		TD-2208-A-105	GASKET, hub cap	60	30	100	
8500-A333-W-179		TD-A333-W-179	HUB and CUP, w/o STUDS, assembly, (right or left)	% 6	3	10	
H001-10-13071	217054	TD-2X43	SCREW, cap, hex.-hd., s., 1/2-13 NC-2 x 1 1/4 in. (hub cap)	72	36	120	H-1
8500-3280-D-30		TD-3280-D-30	SLINGER, oil, brake drum	% 6	3	10	
H001-15-18011	103323	TD-X531	WASHER, lock, reg., s., 3/8 in. (0.390 I.D. x 0.640 O.D. 1/8 x 1/8 thick) (hub cap screw)	72	36	120	H-1
			1302A—WHEEL STUDS AND NUTS				
H001-41-67800		TD-13X9	NUT, wheel stud, inner, 3/4 x 16 hex.	90	45	150	H-1
D624-62-03537		TD-1199-M1053	NUT, wheel stud, inner, (BW-10709)	% 36	18	60	H-14
D024-02-03538		TD-1199-N-1054	NUT, wheel stud, inner, (BW-10708)	% 36	18	60	H-14
D024-02-03536		TD-1199-K-1051	NUT, wheel stud, outer, left (BW-37892)	% 48	24	80	H-14
D024-02-63535		TD-1199-L-1052	NUT, wheel stud, outer, right (BW-37891)	% 48	24	80	H-14
G509-03-91513		TD-20X27	STUD, wheel hub, left (BW-12676)	% 36	18	60	H-14
G509-03-91514		TD-20X28	STUD, wheel hub, right (BW-12675)	% 36	18	60	H-14
			GROUP 15—FRAMES AND BRACKETS				
			1500—FRAME AND BRACKETS				
4180-11C1935		HLC-11C1935	HANGER, rear spring, front, left	3		4	
4180-11C1934		HLC-11C1934	HANGER, rear spring, front, right	3		4	
4180-11C1910		HLC-11-C1910	HANGER, rear spring, rear, left	3		4	
4180-11C1909		HLC-11C1909	HANGER, rear spring, rear, right	3		4	
			GROUP 16—SPRING AND SHOCK ABSORBER				
			1601A—REAR SPRING				
G678-70-09305		MAR-48-985	BOLT, chassis spring center	18		20	
G678-70-35112		MAR-X-2-290	BOLT, spring rebound clip, w/NUT	% 36		40	
G678-70-09308		MAR-33-242	CLIP, chassis main spring rebound, small	% 18		20	
G678-70-35110		MAR-33-243	CLIP, chassis main spring, rebound	% 18		20	
G678-70-09302		MAR-33-244	CLIP, rebound (wrapped type) chassis auxiliary spring	% 9		10	
G678-70-35114		MAR-19B401-1A	LEAF, #1 chassis auxiliary spring	% 4		5	
G676-70-09306		MAR-19B401-1M	LEAF, #1, chassis main spring	% 18		20	
G678-70-35115		MAR-19B401-2A	LEAF, #2, chassis auxiliary spring	% 4		5	
G678-70-35108		MAR-19B401-2	LEAF, #2, chassis main spring	% 18		20	
G678-70-35105		MAR-34-2871	PLATE, spacer, between main and auxiliary springs	% 4		5	
G678-70-09299		MAR-19B401A	SPRING, auxiliary, w/SPACERS, assembly	% 4		5	
G678-70-35117		MAR-19B401M	SPRING, main, assembly (8 leaves)	% 9		10	
G678-70-35111		MAR-34-487	TUBE, rebound clip spacer	% 18		20	

GROUP 16 — SPRING AND SHOCK ABSORBER

Official Stock Number	Order and Store by This Number	Part Number		ITEM	Per 100 Major Items			Note Symbol
		Ordnance	Manufacturer		12 Mos. Field Maintenance	Major Overhaul (5th Ech.)	Total First Year Spare Parts	
Col. 1	Col. 2	Col. 3	Col. 4	Col. 5	Col. 6	Col. 7	Col. 8	
1602—SHACKLES AND SPRING ATTACHING PARTS								
G678-70-35119		HLC-36B128		CLAMP, lower spring.....	% 9	10		
G678-70-35120		HLC-141B15		CLAMP, upper spring.....	% 9	10		
4180-170558		HLC-170558		NUT, high hex., 3/4-16, U-bolt.....	% 72	80		
G678-70-35118		HLC-15A665		SPACER, tubular rear bracket.....	% 18	20		
4180-78A510		HLC-78A510		U-BOLT, 3/4-16NF x 13-W2 1/2 RADIUS ROD (spring to axle).....	% 36	40		
G678-70-35121		HLC-55A316		WASHER, retainer, spring bushing.....	% 9	10		
1604—RADIUS RODS								
G678-70-35126		HLC-A47A215		BOLT, radius rod, front and rear.....	18	20		
G678-70-35124		HLC-9A592		BUSHING, radius rod, rubber.....	180	200		
		HLC-27B1289		ROD, radius.....	18	20		
GROUP 18—BODY								
1820B—MANHOLE COVER, VENTS								
4180-5C1690A		HLC-5C1690A		ARM, man hole hinge cover.....	% 9	10		
4180-A96A135		HLC-A96A135		CAM, man hole cover latch.....	% 9	10		
4180-A36B100		HLC-A36B100		CLAMP, man hole, assembly.....	% 18	20		
4180-12C1635A		HLC-12C1635A		COVER, manhole, fill, 10 inch.....	% 18	20		
4180-G349-2		HLC-G349-2		COVER, fuel tank, manhole, assembly.....	% 13	15		
4180-12B1109		HLC-12B1109		COVER, vent valve, manhole.....	% 9	10		
4180-22-978		HLC-22-978		GASKET, cover, manhole.....	% 108	120		
4180-22A928		HLC-22A928		GASKET, feather valve, manhole cover.....	% 36	40		
4180-22B955		HLC-22B955		GASKET, fill cover, manhole cover.....	% 270	300		
4180-70B415		HLC-70B415		HANDLE, latch, manhole cover.....	% 9	10		
4180-A76A73		HLC-A76A73		LATCH, manhole cover, assembly.....	% 9	10		
4180-48A812		HLC-48A812		PIN, center groove, manhole cover.....	% 9	10		
4180-48A810		HLC-48A810		PIN, hinge arm, manhole cover.....	% 9	10		
4180-48A809		HLC-48A809		PIN, latch, manhole cover.....	% 9	10		
4180-48A808		HLC-48A808		PIN, latch cam, manhole cover.....	% 9	10		
4180-34A2299		HLC-34A2299		PLATE, vent valve, manhole cover.....	% 36	40		
G678-70-09338		CLB-353		PLUG, fusible, safety, w/SCREEN, 2 in., manhole cover.....	% 36	40		
4180-15A696		HLC-15A696		SPACER, vent cover, manhole cover.....	% 36	40		

Col. 1	Col. 2	Col. 3	Col. 4	Col. 5	Col. 6	Col. 7	Col. 8
4180-19A412		HLC-19A412	SPRING, manhole clamp.....	% 18		20	
4180-19A413		HLC-19A413	SPRING, manhole hinge arm bumper.....	% 9		10	
4180-19A414		HLC-19A414	SPRING, manhole latch.....	% 9		10	
4180-31A306		HLC-31A306	VALVE, manhole vent.....	% 36		40	
1820C—EMERGENCY VALVES & OPERATORS							
G678-70-09316		PVC-1733-1	BOLT, adjusting, operator.....	% 6	3	10	
G678-70-09328		MBR-203F6-3	BOX, stuffing, fulcrum shaft, emergency valve.....	% 6	3	10	
G678-70-09319		PVC-A2864-2	CONNECTOR, cable, operator, assembly.....	% 18	9	30	
			(Includes:				
		PVC-1661-1	1-SLEEVE, split				
		PVC-1662-2	1-NUT, lock				
		PVC-1674-4	1-NUT, jam, cable)				
G678-70-09327		MBR-203F4-3	DISC, compression, emergency valve.....	18	9	30	
G678-70-09335		MBR-203F15-3	GLAND, packing, fulcrum shaft, emergency valve.....	6	3	10	
G678-70-09329		MBR-203F7-3	LEVER, fulcrum, emergency valve.....	6	3	10	
G678-70-09332		MBR-203F11-3	LEVER, operating, emergency discharge valve.....	3	1	5	
G678-70-09314		PVC-S-1000-9	LEVER, operating, operator.....	% 6	3	10	
G678-70-09317		PVC-A2841-2	LINK, fusible, control, operator.....	% 48	24	80	
G678-70-09315		PVC-2988	LINK, offset, control, operator.....	% 3	1	5	
		MBR-203F5-3	NUT, disc retaining, emergency valve.....	6	3	10	
		MBR-203F10-3	NUT, packing, fulcrum shaft, emergency valve.....	6	3	10	
		MBR-203F12-3	PIN, cotter, brass, emergency valve.....	2	6	20	
		MBR-203F14-3	PLUG, side, fulcrum shaft and bearing, emergency valve.....	6	3	10	
G678-70-09333		MBR-203F3-3	PLUNGER, emergency valve.....	6	3	10	
G678-70-09326		MBR-203F9-3	RING, packing, fulcrum shaft, emergency valve.....	180	90	300	
G678-70-09331		MBR-203F18-3	SCREEN, brass, 40 mesh, fuel, emergency valve.....	24	12	40	
G678-70-09337		PVC-S-125-2	SCREW, cap, hex., w/NUT and LOCKWASHER, 1/4-20 x 3/4 (trip trigger).....	% 6	3	10	
G678-70-09324		PVC-S-125-1	SCREW, cap, hex., with nut and lockwasher, 1/4-28 x 1 (trip housing).....	% 3	1	5	
G678-70-09323		PVC-S-131-1	SCREW, cap, flat hd., 5/16-18 x 1 (Selective valve control mounting).....	% 18	9	30	
G678-70-09322		MBR-203F8-3	SHAFT, fulcrum, emergency valve.....	6	3	10	
G678-70-09330		PVC-A2864	SLEEVE, control cable, w/CLEVIS, assembly.....	% 18	9	30	
G678-70-09320			(Includes:				
		PVC-1666-1	1-SLEEVE, split				
		PVC-1666-2	1-NUT, lock				
		PVC-1666	1-BODY, clevis				
		PVC-S525-1	1-PIN, clevis, w/COPPER PIN)				
G678-70-09333		MBR-203F13-3	SPRING, plunger, emergency valve.....	6	3	10	
G678-70-09336		MBR-203F16-3	SPRING, stuffing box, fulcrum shaft, emergency valve.....	6	3	10	
G678-70-09321		PVC-2527-2	SPRING, trip trigger, operator.....	% 6	3	10	
G678-70-09318		PVC-1673	TRIGGER, trip, control, operator.....	% 6	3	10	
G678-70-09325		MBR-203F-3	VALVE, discharge emergency, fuel, assembly, 3 in. angle type w/40 mesh screen).....	6	3	10	

GROUP 18 — BODY

Official Stock Number	Order and Store by This Number	Part Number		ITEM	Per 100 Major Items			Note Symbol
		Col. 1	Col. 2		Col. 5	Col. 6	Col. 7	
		Ordinance	Manufacturer	Col. 4	12 Mos. Field Maintenance	Major Overhaul (5th Ech.)	Total First Year Spare Parts	
G678-70-09313			MVC-P-885	1820D—VALVES & FITTINGS	9		10	
G508-70-09449			ON-132B	<p>1820K—HOSE AND HOSE NOZZLES</p> <p>FAUCET, 2 in. male straight pipe thread, assembly (complete with locking type dust cap and chain)</p> <p>ADAPTOR, 2 in. suction hose (ON-HB-1087)</p> <p>ADAPTOR, bronze faucet, quick hose coupling, 2 in. female pipe thread</p> <p>(Includes:</p> <p>1-ON-H4277M GASKET, ring, plain, (also available separately</p> <p>ADAPTOR, bronze quick hose coupling, hand type assembly (1½ in. female pipe threads) (ON-C1117B)</p> <p>BODY, twin couple, brass, for fuel hose (1 in. F (NPT) x 1 in. M (NPT) x 1 in. M (NPSH) x 1 in. M (NPS)</p> <p>BODY, twin coupler, brass, for fuel gravity hose (1-1½ in. F. (NPT) x 1 in. M (NPSH) x 1 in. M (NPSH)</p> <p>BOX, stuffing, discharge nozzle</p> <p>CAP, dust, bronze, fuel pump outlet line assembly</p> <p>(Includes:</p> <p>1-CAP, dust</p> <p>1-LINK</p> <p>1-RIVET</p> <p>16-CHAIN, 16 link</p> <p>CAP, dust, bronze, quick coupling, assembly (not threaded) (for lock ring on 128R)</p> <p>(Includes:</p> <p>1-CAP, dust</p> <p>14-CHAIN, link</p> <p>2-LINK, chain</p> <p>CAP, dust, bronze, quick detachable, assembly (not threaded) (for adaptors on 132 BG or on 132 BH)</p> <p>(Includes:</p> <p>1-CAP, dust</p> <p>14-CHAIN, link</p> <p>2-LINK, chain, cap</p> <p>1-WASHER)</p>	4		5	
G694-70-09235			ON-132BG		9		10	
G678-70-35101			ON-132BH		9		10	
G678-70-09399			ON-H4432B		7		8	
G678-70-35102			ON-C884B		14		16	
G678-70-09391			ON-RB-561		3	1	5	
G678-70-09396			ON-531F		9		10	
G694-70-09230			ON-H4448B-1					
			ON-RB271					
			ON-RB272					
			ON-HM284					
			ON-132BC					
			ON-C116B-1½					
			ON-HM284					
			ON-H3673					
			ON-131EG					
G694-70-09231			ON-C1135B					
			ON-HM284					
			ON-3673M					
			ON-HM72					

Col. 1	Col. 2	Col. 3	Col. 4	Col. 5	Col. 6	Col. 7	Col. 8
G678-70-09387		ON-B-1621	CAP, spring discharge nozzle.....	3	1	5	
G678-70-09389		ON-H296C	CAP, tube, discharge nozzle, assembly..... (Includes: 1-CAP, tube 1-LINK, chain cap 1-CHAIN 1-SPRING)	60	30	100	
G678-70-09382		ON-H3923B ON-H3673M ON-HM284 ON-H3667M ON-M-662	DISC, valve, discharge nozzle.....	% 360	180	600	
G694-70-09233	QM-06915WS	ON-HM72	FUNNEL, fuel, 1 1/2 gallon.....	% 9		10	
G678-70-35103		HLC-22-1153 HLC-22-1154 HLC-22-1152 ON-H3927M	GASKET, ring, quick hose coupler (7/32 x 3 5/16 in. O.D.—used with 132EG dust cap and 128R lock ring)..... GASKET, leather, hose, female coupling 1 1/2 in. O.D. x 1 15/16 I.D. x 5/32 in..... GASKET, leather, hose, female coupling, 2 in. I.D. x 2 3/8 in. O.D. x 5/32 in..... GASKET, leather, hose, female coupling 1 in. I.D. x 1 5/16 in. O.D. x 1/8 in. thick..... GASKET, ring, dust cap plug, 7/32 in. x 1 in. outside diameter (used with ON-531F dust cap).....	% 450 % 360 % 360 % 460		500 600 400 800	
G694-70-09236		ON-H4277	GASKET, ring, quick hose coupler adaptor, (7/32 x 2 in. O.D.—use with 132BG adaptor).....	% 45		50	
G678-70-09392		ON-RB-3	GLAND, packing, discharge nozzle.....	% 90	4	100	
G678-70-09382		ON-HB-1620	HOLDER, valve, disc, discharge nozzle.....	9		15	
4180-A57-27		HLC-A57-27	HOSE, fuel, non-metallic, discharge type, 1 in. x 9 ft., with male and female couplings, 1 in. NPS., assembly.....	72	36	120	
4180-A57-29		HLC-A57-29	HOSE, fuel, non-metallic, discharge type, assembly, 1 in. x 8 ft. with male and female couplings, 1 in. NPS.....	% 36		40	
4180-A57-28		HLC-A57-28	HOSE, fuel, non-metallic, discharge type, assembly, 1 in. x 10 ft., with male and female couplings, 1 in. NPS.....	% 144		160	
4180-A57-26		HLC-A57-26	HOSE, fuel, non-metallic, discharge type, assembly, 1 1/2 in. x 20 ft., with male and female couplings, 1 1/2 in. NPS.....	% 72		80	
4180-A57-25		HLC-A57-25	HOSE, fuel, wire stiffened, suction type, assembly, 1 1/2 in. x 30 ft., with male and female couplings, 1 1/2 in. NPS.....	% 180		200	
4180-A18A164		HLC-A18A164	KIT, discharge hose, repair, 1 in..... (Consists of: 1-SLEEVE, 1 in. brass hose mender 2-CLAMP, 1 in. hose, brass)	% 45 180		50 200	
4180-A18A165		HLC-A18A165	KIT, discharge hose, repair, 1 1/2 in..... (Consists of: 1-SLEEVE, 1 1/2 in. hose mender 2-CLAMP, 1 1/2 in. hose)	180		200	
G678-70-09380		ON-H2567B	LEVER, hand, discharge nozzle.....	12	6	20	
G678-70-09395		ON-71G	NIPPLE, hose, cast bronze, 1 in. standard pipe thread.....	% 4		5	
G694-70-09229		ON-711WC ON-HRB-4 ON-HM-714	NOZZLE, discharge, fuel, 1 in. wet hose, whistle type, assembly..... NUT, packing, valve stem, discharge nozzle..... PACKING, stem, valve, discharge nozzle.....	% 6 12 216	3 6 108	10 20 360	

GROUP 18 — BODY

Official Stock Number	Part Number		ITEM	Per 100 Major Items			Note Symbol
	Order and Store by This Number	Manufacturer		12 Mos. Field Maintenance	Major Overhaul (5th Ech.)	Total First Year Spare Parts	
Col. 1	Col. 2	Col. 3	Col. 4	Col. 5	Col. 6	Col. 7	Col. 8
1820K—HOSE AND HOSE NOZZLES—(Continued)							
G694-70-09234	ON-132T-1½ ON-132T-2 ON-M95 ON-M-3760 ON-531M-1	ON-H4447B-1 ON-RB271 ON-RB272 ON-HM284 ON-531M-2	PIECE, tail, bronze, quick hose coupling, 1½ in. male standard pipe threads. PIECE, tail, bronze, quick hose coupling, 2 in. PIN, cotter, hand lever fulcrum pin, discharge nozzle. PIN, fulcrum, hand lever, discharge nozzle. PLUG, dust cap, bronze, fuel pump, assembly, 1 inch.	% % 24 6 4	9 4 12 3 .	10 5 40 10 5	
G678-70-09393 G678-70-09397			(Includes: 1-PLUG, dust cap, bronze, (lin. NPSH thread) 1-LINK 1-RIVET 16-CHAIN, link) PLUG, dust cap, gas pump, 2 in.	% %	4 4	5	
G678-70-09394 G694-70-09392	ON-4461B-2 ON-RB-271 ON-KB272 ON-HM284 ON-HRB-563 ON-128R		(Includes: 1-PLUG, dust cap, bronze (2 in. 11½ NPSH thr. 1-LINK 1-RIVET 16-CHAIN, link) PLUNGER, valve stem, discharge nozzle. RING, lock, bronze, quick hose coupling, 1½ in. drilled for chain, assembly.	% %	18 12	30 14	
G678-70-09390 G678-70-09381 G678-70-09385 G678-70-09388	ON-CB1039 ON-HM72 ON-RB-562 ON-M-2448 ON-S-108 ON-30AW ON-B1658 ON-B-364 ON-RB-3612 ON-M-3613 ON-RB-3614 ON-M-3617 ON-3618RB ON-3444M		(Includes: 1-LOCK 1-WASHER) SKIRT, valve spring, discharge nozzle. SPRING, discharge nozzle, valve. STEM, valve, discharge nozzle. TUBE, nozzle, fuel, discharge nozzle, valve, assembly. 1-NUT 1-BODY 1-QUILL 1-BALL, cork 1-TUBE, fuel 1-GASKET 1-PLUG) WASHER, lock, discharge nozzle packing nut.	3 15 12 18	1 7 6 9	5 25 20 30	
				12	6	20	

Col. 1	Col. 2	Col. 3	Col. 4	Col. 5	Col. 6	Col. 7	Col. 8
			GROUP 20—PUMP AND ENGINE 20D1—PUMP ASSEMBLY				
G678-70-09375		ON-RB367	BASKET, strainer, gasoline 40 mesh.....	9		10	
G678-70-09365		YA-J506	BUSHING, follower, packing nut control screw, fuel pump.....	18		20	
G678-70-01374		YA-J761	BUSHING, rotor shaft, fuel pump.....	9		10	
G672-70-09355		YA-J1331	CAP, body end, fuel pump.....	4		5	
G678-70-09370		YA-J804	CAP, control screw, fuel pump.....	4		5	
G678-70-09348		YA-J749	CAP, spring, fuel pump.....	4		5	
G678-70-09376		ON-MI-173	CAP, strainer body.....	4		5	
G678-70-09377		ON-MI-73	CLAMP, strainer body cap.....	4		5	
G678-70-09361		YA-J30-267	FITTING, lubricating, fuel pump packing gland, 1/8 pipe thread, 67 1/2%.....	9		10	
G678-70-09356		YA-J768	GASKET, body, fuel pump.....	18		20	
G678-70-09354		YA-J764	GASKET, body end cap, fuel pump.....	18		20	
G678-70-09362		YA-J757	GASKET, control head, fuel pump.....	18		20	
G678-70-09378		ON-HM440	GASKET, cork (strainer body nut cap).....	36		40	
G678-70-09347		YA-J763	GASKET, spring cap, fuel pump.....	9		10	
G678-70-09350		YA-J722	GLAND, packing, fuel pump.....	4		5	
G678-70-09344		YA-J752	HEAD, cross, plunger, fuel pump.....	4		5	
G678-70-09359		YA-GJ745	LEVER, flow control, fuel pump, assembly.....	4		5	
			(Includes:				
			1-LEVER, cam				
			1-PIN, fulcrum, cam lever				
			1-PIN, control, cam lever				
			1-STUD, control lever				
			1-PIN, guide				
			1-WASHER, control lever				
			1-BUSHING, control lever				
			NUT, packing, adjusting screw plunger, flow control, fuel pump.....	4		5	
			NUT, packing gland stud, fuel pump, self-locking.....	9		10	
			PACKING, adjusting screw, fuel pump volume control.....	18		20	
			PIN, dowel, control plate aligning, fuel pump, 5/16 x 3/8.....	9		10	
			PIN, pawl, adjusting plate, fuel pump.....	4		5	
			PLATE, adjusting top spring, fuel pump.....	4		5	
			PLATE, bottom spring, fuel pump.....	4		5	
			PLATE, pressure control, fuel pump.....	4		5	
			PLUNGER, control, fuel pump.....	4		5	
			PUMP, fuel, manual flow control, assembly (Yale & Towne Manufacturing Co.)	4		5	
			RING, packing, fuel pump.....	36		40	
			RING, retaining, rotor shaft bushing, fuel pump.....	9		10	
			ROTOR GROUP, fuel pump, assembly.....	4		5	
			SCREW, adjusting plunger, flow control, fuel pump.....	4		5	

GROUP 20 - PUMP AND ENGINE

20D1-20E1

Official Stock Number	Part Number		ITEM	Per 100 Major Items			Note Symbol	
	Col. 1	Col. 2		Col. 3	Col. 4	Col. 5		Col. 6
Order and Store by This Number	Ordnance	Manufacturer		12 Mos. Field Maintenance	Major Overhaul (5th Ech.)	Total First Year Spare Parts		
G678-70-09353		YA-J760	20D1—PUMP ASSEMBLY—(Continued) SCREW, cap, hex-hd., S., — $\frac{3}{8}$ -16NC x $3\frac{1}{16}$ (for fuel pump body)..... SCREW, retaining, handwheel volume control, $\frac{3}{16}$ -30 x $\frac{3}{4}$ (fuel pump)..... SPRING, control, fuel pump..... STRAINER, fuel, (complete) with 40 mesh brass screen, assembly..... (Includes: 1-BODY, strainer 1-CAP, strainer 1-BASKET, strainer 1-CLAMP, strainer cap 1-SCREW, set 1-GASKET 1-NUT, jam	4		5		
G678-70-09364		YA-J1058			18		20	
G678-70-09342		YA-J771			4		5	
G678-70-09379		ON-187-1 $\frac{1}{2}$ x 1 $\frac{1}{4}$			4		5	
	110454	ON-1-172						
		ON-MI-173						
		ON-RB-367						
		ON-MI-73						
	218440	ON-HM-440						
G678-70-09351		YA-J759	STUD, packing gland, $\frac{3}{8}$ -24 x 2 $\frac{3}{4}$, fuel pump.....	9		10		
		YA-J1059	WASHER, lock, handwheel volume control, fuel pump.....	18		20		
		YA-J507	WASHER, plain, handwheel volume control, fuel pump.....	18		20		
G678-70-09372		YA-J505	WHEEL, hand, flow control adjusting, fuel pump.....	4		5		
		BR-89677	20E1—ENGINE AND PARTS					
A054-01-18220		BR-89677	BUSHING, assembly, crankshaft and magneto, BR-89660, w/OIL SEAL.....	2	2	5		
1090-26499		BR-26499	CRANKSHAFT, engine.....	1	2	4		
1090-205768		BR-205768	ENGINE, assembly, (complete model, NPR-2 x 2 Briggs and Stratton, optional with BR-206509 Engine Assembly, procure one type only.....	5		6		
		BR-89989	(Includes: 1-CAP, gas tank, non-spill type					
		BR-89980	1-CLEANER, air					
		BR-21611	1-ELBOW, air cleaner					
		BR-99876	1-CARBURETOR					
		BR-99714	1-FILTER, fuel					
		BR-29693	1-PLUG, spark					
		BR-89987	1-TANK, gas					
		BR-89966	1-MUFFLER					
1090-206509		BR-206509	ENGINE, assembly (complete model, NPR-2 x 2 Briggs and Stratton, equipped, with stellite valves, optional with BR-205768 Engine Assembly, procure one type only).....					

For quantities see 1090-205768.

Col. 1	Col. 2	Col. 3	Col. 4	Col. 5	Col. 6	Col. 7	Col. 8
A054-01-94365 1090-290289		BR-67537 BR-290289	GASKET, engine, cylinder head (also in set BR-290289) GASKET SET, engine overhaul (Consists of: 1-GASKET, cylinder head (also available separately) 1-GASKET, engine base 1-GASKET, base to cylinder screw 1-GASKET, valve side plate 1-GASKET, fuel filter bowl 1-GASKET, gear case to engine 1-GASKET, gear case 2-GASKET, intake manifold 1-GASKET, carburetor to elbow 1-GASKET, fuel tank cap 1-GASKET, air cleaner to elbow 1-GASKET, magneto, .015 thick 1-GASKET, magneto, .005 thick 1-GASKET, magneto, .009 thick) KEY, crankshaft, engine flywheel shear KIT, repair, engine governor (Consists of: 1-BLADE, governor 1-LINK, throttle connecting 2-SCREW, machine, oval-fil-hd., S., No. 8-32NCX1) (for attaching governor) 1-THROTTLE, return spring 2-WASHER, plain, S., SAE Std.,—No. 8 (governor attaching screw) 2-WASHER, lock, reg., S., No. 8 (governor attaching screw) KIT, repair, engine valve chamber breather (Consists of: 1-BODY, valve 1-COVER 1-GASKET, valve cover 1-NUT, regular, hex, s-fin., S., 1/4-28NPF-2 (Valve cover stud) 1-SHIELD, oil spray 1-SPRING 1-VALVE 1-WASHER, fibre LIFTER, engine valve LOCK, engine connecting rod screw head (part of BR-89115) MUFFLER NUT, hex., flywheel retaining 1/2-20NPF-2, left hand thread OIL SEAL, engine crankshaft, magneto end OIL SEAL, engine crankshaft, power take off end PIN, engine valve spring retainer	3 3	1 6	5 10	%
A054-02-58271 1090-290394		BR-67537 BR-27043 BR-27044 BR-67527 BR-68477 BR-27139 BR-27138 BR-27045 BR-68987 BR-65938 BR-68957 BR-67307 BR-67597 BR-67607 BR-61760 BR-290394		15 3	7 1	25 5	
	100716	BR-89241 BR-26391 BR-91753					
	114986 106496	BR-26393 BR-38852 BR-91661 BR-290396					
1096-290396		BR-21310 BR-22216 BR-67527 BR-90847 BR-22217 BR-26330 BR-65968 BR-22353 BR-63788 BR-22082 BR-89966 BR-91708 BR-89660 BR-89976 BR-23187		3	1	5	
A054-03-96375 A054-02-79896 1090-89966 H101-121978 A054-03-82930 A054-03-82911 A054-03-39270				6	3	10	
				4		5	H-1
				3	1	5	
				2	2	5	
				6	3	10	
				30	15	50	

GROUP 20 — PUMP AND ENGINE

Official Stock Number Order and Store by This Number Col. 1	Part Number		ITEM Col. 4	Per 100 Major Items			Note Symbol Col. 8
	Ordinance Col. 2	Manufacturer Col. 3		12 Mos. Field Maintenance Col. 5	Major Overhaul (5th Ech.) Col. 6	Total First Year Spare Parts Col. 7	
1090-290293			<p>20E1—ENGINE AND PARTS—(Continued)</p> <p>PISTON, engine, .010 oversize, assembly.....</p> <p>(Consists of: 1-PISTON, (.010 oversize) 1-PIN, piston, standard 1-RING, piston, compression, top, (.010 oversize) 1-RING, piston, compression, center, (.010 oversize) 1-RING, piston, oil, bottom, (.010 oversize) 2-LOCK, piston pin)</p>	3	1	5	
1090-290294			<p>PISTON, engine, .030 oversize, assembly.....</p> <p>(Consists of: 1-PISTON, (.030 oversize) 1-PIN, piston, standard 1-RING, piston, compression, top (.030 oversize) 1-RING, piston, compression, center (.030 oversize) 1-RING, piston, oil, bottom, (.030 oversize) 2-LOCK, piston pin)</p>	2	2	5	
1090-89676			<p>PUMP, oil, engine, assembly.....</p> <p>(Includes: 1-SCREEN, oil pump 1-SPRING, oil pump screen)</p>	3	1	5	
A054-03-67755 1090-290291			<p>RETAINER, engine, valve spring.....</p> <p>RING SET, piston, .010 oversize, engine.....</p> <p>(Consists of: 1-RING, piston, compression, top (.010 oversize) 1-RING, piston, center compression, (.010 oversize) 1-RING, piston, bottom oil, (.010 oversize) RING SET, piston, .030 oversize, engine.....</p>	24 3	12 1	40 5	
1090-290292			<p>(Consists of: 1-RING, piston, compression, top (.030 oversize) 1-RING, piston, compression, center, (.030 oversize) 1-RING, piston, oil, bottom (.030 oversize) RING SET, piston, standard.....</p>	2	2	5	
1090-290290			<p>(Consists of: 1-RING, piston, top compression, standard 1-RING, piston, center compression, standard 1-RING, piston, bottom oil, standard)</p>	3	1	5	

Col. 1	Col. 2	Col. 3	Col. 4	Col. 5	Col. 6	Col. 7	Col. 8
1090-89115		BR-89115	ROD, engine, connecting, assembly..... (Includes: 2-SCREW, connecting rod 2-LOCK, connecting rod screw (Also available separately)	2	2	5	
1090-29878		BR-92208	ROPE, engine, starter, w/HANDLE, assembly.....	170	10	200	
1090-89688		BR-22082	SCREEN, engine, oil pump.....	3	1	5	
1090-91712		BR-29878	SCREW, cap, hex.-hd., special heat treated—long (cylinder head to cylinder)	6	3	10	
1090-91711		BR-89688	SCREW, cap, hex.-hd., special heat treated—short (cylinder head to cylinder)	12	6	20	
1090-92235		BR-91712	SCREW, cap, hex., slotted hd., S., — $\frac{3}{8}$ -24NF-2 x 1 $\frac{1}{4}$ (engine base to cylinder)	3	1	5	
6CS--260-280		BR-92235	SCREW, engine, connecting rod.....	6	3	10	
1090-21613		BR-92208	SEAT, valve, stillite, engine (Used on ENGINE Model BR-206509)	12	6	20	
1090-26478		BR-21613	SPRING, engine, exhaust valve.....	9	4	15	
G509-03-89503		BR-26478	SPRING, engine, intake valve.....	3	1	5	
1090-26485		BR-26021	SPRING, engine, oil pump screen.....	3	1	5	
1090-26515		BR-26485	VALVE, exhaust, Stellite Faced (Used on ENGINE Model BR-206509)	12	6	20	
1090-23386		BR-26515	VALVE, exhaust (ENGINE Model BR-205768) intake (ENGINE Model BR-206509)	12	6	20	
1090-22238		BR-23663	WASHER, flat, special, S., (engine base to cylinder screw).....	6	3	10	
1090-62577		BR-22238	WASHER, flat, special, S., (engine base to cylinder screw).....	6	3	10	
		BR-22243	WASHER, flat, special, S., (engine base to cylinder screw).....	3	1	5	
		BR-62577	WASHER, plain, S., $\frac{1}{2}$ I.D. x 1 $\frac{1}{2}$ O.D. (rope starter pulley).....	3	1	5	
20F1—ENGINE FUEL SYSTEM PARTS							
1090-89988		BR-89988	CAP, engine, fuel tank w/CHAIN, leakproof, assembly.....	4		5	
1090-290295		BR-290295	CARBURETOR, service assembly..... (Consists of: 1-CARBURETOR, assembly 1-GASKET, flange 2-SCREW, machine, fl.-hd., S., — $\frac{1}{4}$ -20NC-2 x $\frac{3}{4}$ (for attaching carburetor) 2-WASHER, lock, reg., S., $\frac{1}{4}$ in.) (carburetor attaching screw)	3	1	5	
A054-01-83053	113991	BR-99876	FILTER, fuel, engine, assembly.....	6	3	10	
A054-01-94435	103319	BR-68987	GASKET, engine, fuel filter (also available in KIT BR-290297)	24	12	40	
A054-04-27253		BR-68477	KIT, repair, carburetor float valve needle..... (Consists of: 1-WASHER, fibre 1-SEAT, float needle 1-NEEDLE, float valve)	3	1	5	
1090-290284		BR-99636	KIT, repair, carburetor high speed adjustment..... (Consists of: 1-VALVE, needle adjusting 1-NUT, packing, needle adjusting valve 1-WASHER, packing, needle adjusting valve 1-PACKING, needle adjusting valve)	3	1	5	
		BR-68877					
		BR-23225					
		BR-23226					
		BR-290284					
		BR-99621					
		BR-23227					
		BR-22032					
		BR-68887					

GROUP 20 — PUMP AND ENGINE

Official Stock Number	Part Number		ITEM	Per 100 Major Items			Note Symbol						
	Order and Store by This Number	Manufacturer		12 Mos. Field Maintenance	Major Overhaul (5th Ech.)	Total First Year Spare Parts							
								Col. 1	Col. 2	Col. 3	Col. 4	Col. 5	Col. 6
1090-290297		BR-290297	20F1—ENGINE FUEL SYSTEM PARTS—(Continued)										
		BR-62876	KIT, fuel filter, repair										
		BR-68477	(Consists of:										
		BR-68487	1-SCREEN, fuel filter										
		BR-290296	2-GASKET, fuel filter (also available separately)										
1090-290296		BR-290296	1-BOWL, fuel filter)										
		BR-290284	KIT, repair, carburetor, overhaul										
		BR-99636	(Consists of:										
		BR-23228	1-KIT, repair, carburetor high speed adjustment										
		BR-26157	1-KIT, repair, float valve needle										
		BR-68857	1-VALVE, carburetor idle										
		BR-91661	1-SPRING, idle valve										
		BR-90200	1-GASKET, carburetor body										
	106496		4-WASHER, lock, reg., S., No. 8 (carburetor body screws)										
	100924		4-SCREW, machine oval-fl.-hd., br., No. 8-32NC-2 x 1 (carburetor body mounting)										
		BR-68987	1-GASKET, intake manifold										
		BR-290466	KIT, replacement, air cleaner										
1090-290466		BR-290466	(Consists of:										
		BR-290452	1-CLEANER, air assembly										
		BR-92067	1-NUT, wing S., No. 10-32NF-2										
	503465	BR-23711	1-STUD, air cleaner										
	106497	BR-91407	1-WASHER, lock, reg., S., No. 10										
	103088	BR-90319	1-NUT, machine screw, hex., S., No. 10-32NF-1										
	103319	BR-92151	1-WASHER, lock reg., S., 1/4 in.										
	103982	BR-92125	1-SCREW, cap, hex.-hd., S., 1/4-20 NC-2 x 1/4 (for carburetor elbow brace)										
H006-01-04045		BR-92291	NUT, packing, fuel tank, shut off valve										
		BR-68507	PACKING, fuel tank, shut off valve, felt										
A054-02-76499		BR-89190	TUBE, fuel tank to fuel filter, assembly (cop., 3/16 O.D. x 13 lgh. copper tubing w/2, 3/16 compression female nuts)										
1090-23059		BR-23059	VALVE, shut off, fuel tank										

Col. 1	Col. 2	Col. 3	Col. 4	Col. 5	Col. 6	Col. 7	Col. 8
			20G1—ENGINE ELECTRICAL SYSTEM PARTS				
1090-29806		BR-29806	GASKET, engine, spark plug (for CP-J8).....		90	300	
1090-290307		BR-290307	KIT, repair, magneto breaker point..... (Consists of: 1-POINT, breaker, assembly 1-PLUNGER, fibre 1-WASHER, plain, S., SAE std.,—No. 8 1-WASHER, lock, internal teeth, reg., S.,—No. 8 1-SCREW, machine, rd.-hd., S.,—No. 8-32NC-2 x 5/16)	% 18	9	30	
1090-290392		BR-290392	KIT, repair, condenser..... (Consists of: 1-CONDENSER 1-WASHER, lock, reg., S., No. 8 1-SCREW, machine, rd.-hd., S.,—No. 8-32NC-2 x 1/4)	% 6	3	10	
1090-290393		BR-290393	KIT, repair, magneto ignition coil..... (Consists of: 1-COIL, armature 4-WASHER, plain, S., SAE std.,—No. 8 4-WASHER, lock, reg., S., No. 8 4-SCREW, machine, oval-fl.-hd., S., No. 8-32NC-2 x 1)	6	3	10	
A054-03-40799		BR-29693	PLUG, engine, spark (CP-J8).....	% 6	90	300	
1090-62842		BR-62842	SPACER, magneto dust cover.....	% 6	3	10	
1090-290015		BR-290015	20HI—ENGINE REDUCTION GEAR	2	2	5	
			DRIVESHAFT, gear and bearing.....				
			20JI—ENGINE COUPLING				
G678-70-89357		YA-J1616	DISC, coupling, flexible drive.....	% 36		40	
G678-70-09366		YA-J1614A	FLANGE, coupling, engine end, 5/8 in. bore (includes set screw).....	4		5	
G678-70-09367		YA-J1614	FLANGE, coupling, pump end, 3/4 in. bore (includes set screw).....	4		5	
			GROUP 22—MISCELLANEOUS BODY CHASSIS AND ACCESSORIES	9		10	
			2203A—REFLECTORS				
H017-506102		KD-333A	REFLECTOR, reflex, amber.....	% 9		10	H-17
H017-506101		KD-333R	REFLECTOR, reflex, red.....	% 18		20	H-17

GROUP 23 — GENERAL USE STANDARDIZED PARTS

2301-2305A

Official Stock Number Order and Store by This Number	Part Number		ITEM Col. 4	Per 100 Major Items			Note Sym- bol Col. 8
	Ordinance Col. 2	Manufacturer Col. 3		12 Mos. Field Main-tenance Col. 5	Major Overhaul (5th Ech.) Col. 6	Total First Year Spare Parts Col. 7	
58-E-202	B-128186	GDC-85-HD	GROUP 23—GENERAL USE STANDARDIZED PARTS 2301—VEHICULAR COMMON TOOLS EXTINGUISHER, fire, CTC, 1-quart, w/BRACKET EXTINGUISHER, fire, portable, carbon dioxide, hand, permanent seat type valve, 15 lb. HANDLE, wheel stud nut wrench WRENCH, wheel stud nut, double end, hexagon and square opening, 1 ³ / ₄ in. hex., 0.817 in. square, 14 ⁷ / ₈ in. long. 2301A—VEHICULAR SPECIAL TOOLS TOOL-SET, pump, gasoline dispensing, portable (not to be requisitioned as an assembly, requisition by components only) (Consisting of: 1-PLIERS, combination, slip joint, wire cutting, 6 in. 1-SCREWDRIVER, common, normal duty, single grip (type III, Class C), 8 x ³ / ₈ in. blade. 1-WRENCH, adjustable, automobile type, 8 in. (1 ¹ / ₂ in. jaw opening) 1-WRENCH, adjustable, Crescent type, single end (type 1, Class B), 8 in. (1 ⁵ / ₁₆ in. jaw opening) 1-WRENCH, filler cap and spark plug 1-WRENCH, plug (drain), offset handle, single end, square, ³ / ₈ in., 10 in. long) WRENCH, wheel bearing nut, double end, hexagon opening, size of openings, 3 ⁵ / ₁₆ and 3 ⁷ / ₈ . 2301B—VEHICULAR EQUIPMENT AND ACCESSORIES HANDLE, fuel faucet HOSE, gravity dispenser (discharge unit) HOSE, suction (pump) HOSE, discharge and nozzles (pump) HOSE, fuel, wire stiffened, suction type, 2 in. x 14 ft., w/male and female COUPLINGS, 2 in. NPSH, assembly PUMP, portable, fuel refueling unit ROD, gage	60	**	**	K-2 W
58-E-201-20		COT-PSH-15		30	**	**	K-2 W
41-H-1517-50		BW-44201		40	**	**	W
41-W-3838-30		BW-18806		60	**	**	W
41-P-1650			100	**	**	J-2 W	
41-S-1106			75	**	**	W	
41-W-446			60	**	**	J-4 W	
41-W-486		BR-62891	60	**	**	J-4 W	
41-W-1472			30	**	**	G-27W	
41-W-1952-40			100	**	**	W	
41-W-2612-25		TD-3256C-3	30	**	**	W	
4180-A57-24	C153038 C153039 C153040 C152765	HLC-A57-24	5 96 30 24 30 30 75	** ** ** ** ** ** **	** ** ** ** ** ** **	W W W W W W W	

**As Required.

Col. 1	Col. 2	Col. 3	Col. 4	Col. 5	Col. 6	Col. 7	Col. 8
			2304—WIRE				
		AL-100149 or equal A1-104672 or equal	WIRE, 14 gauge, single conductor, tail light, 100 ft. spool..... WIRE, 16 gauge, single conductor, socket to socket, 100 ft. spool.....	% 3 % 3		4 4	
			2304G—NUTS				
H001-07-13023	103044	YA-J1006E	NUT, castle, S., 5/16-24NF-2.....	% 18		20	H-1
H001-07-13001	103047	FTC-PN-328H	NUT, castle, S., 1/2-20NF-2.....	% 24		40	H-1
H001-07-13006	109879		NUT, castle, S., 1-14NF-2.....	% 36		40	H-1
H001-07-16005	218440		NUT, jam, hex., S-fin., S., 1/2-13NC-2.....	% 9		10	H-1
H001-07-16535	103092	BR-90313	NUT, machine screw, hex., s-fin., S.,.....	% 6	3	10	H-1
H001-07-18001	220064		NUT, reg., hex., s-fin., S., 1/4-20NC-2.....	% 54		60	H-1
H001-07-21003	105606	FTC-PN-261S	NUT, reg., sq., unfin., S., 3/8-16NC-2.....	% 24	12	40	H-1
H001-07-18027	218196		NUT, reg., S-fin., S., 5/8-18NF-2.....	% 30	15	50	H-1
			2304H—PINS				
H001-08-11103	103424	FTC-PC-163	PIN, cotter, split, S., (type B) 1/4 x 2 1/2 in.....	% 24	12	40	H-1
			2304K—SCREWS				
H001-10-13213	215912	BR-92134	SCREW, cap, hex-hd., S., 1/4-28NF-2 x 3/4 in.....	% 12	6	20	H-1
H001-10-13232	215955	YA-H1509	SCREW, cap, hex-hd., S., 5/16-24NF-2 x 1 1/4 in.....	% 18		20	H-1
H001-10-13489	217040		SCREW, cap, hex-hd., S., 3/8-16NC-2 x 3 3/4 in.....	% 24	12	40	H-1
H001-54-03550	BCAX1CD	YA-J1361	SCREW, cap, hex-hd., S., 3/8-24NF x 1 1/4 in.....	% 9		10	H-1
H001-10-13249	216795	BR-92236	SCREW, cap, hex-hd., S., 3/8-24NF-2 x 2 in.....	% 3	1	5	H-1
H001-10-13324	215922		SCREW, cap, hex-hd., S., 5/8-18NF-2 x 2 1/2 in.....	% 3		50	H-1
H001-10-30134	113955	BR-90916	SCREW, machine, rd-hd., S., 1/4-20NC-2 x 1/2 in.....	% 66	6	80	H-1
G678-70-09369	Q83CC	YA-J1617	SCREW, set, hdls., cup-pt., S., 1/4-20 x 1/2 in.....	% 18		20	H-1
H001-10-40063	BGSX1EK		SCREW, set, sq.-hd., cup-pt., S., 1/2-20NC-3 x 2 in.....	% 9		10	H-1
			2304L—WASHERS				
H001-15-18007	103319	BR-90832	WASHER, lock, reg., S., 1/4 in. (0.265 I.D. x 0.453 O.D. 3/32 x 1/16 thick).....	% 12	6	20	H-1
H001-15-19010	115548	YA-H1511	WASHER, lock, internal teeth, reg., S., 5/16 in.....	% 18		20	H-1
H001-15-18007	103319	BR-92151	WASHER, lock, reg., S., 1/4 in. (0.265 I.D. x 0.453 O.D. 3/32 x 1/16 thick).....	% 66	6	80	H-1
H001-15-18009	103321	BR-92227	WASHER, lock, reg., S., 3/8 in. (.0390 I.D. x 0.640 O.D. 1/8 x 3/32 thick).....	% 30	15	50	H-1
H001-15-18013	103325		WASHER, lock, reg., 5/8 in. (0.655 I.D. x 1.062 O.D. 13/64 x 5/32 thick).....	% 30	15	50	H-1
			2305A—KEYS				
H001-05-17025		YA-J1613	KEY, square, type C, S., 1/4 sq. x 1 in.....	% 9		10	H-1

GROUP 23 — GENERAL USE STANDARDIZED PARTS

Official Stock Number Order and Store by This Number	Part Number		ITEM	Per 100 Major Items			Note Symbol
	Col. 1	Col. 2		12 Mos. Field Maintenance	Major Overhaul (5th Ech.)	Total First Year Spare Parts	
H014-514450 H014-519444			<p style="text-align: center;">Col. 4</p> <p style="text-align: center;">2306 — TIRES & TUBES</p> <p>TIRE, pneumatic, new, 9:00-20, 10 ply, truck and bus, regular tread..... TUBE, new, 9:00-20, truck and bus, valve number TR-175A.....</p>	Col. 5	Col. 6	Col. 7	H-14 H-14

MAINTENANCE TOOLS FOR ORDNANCE PERSONNEL

The Tools required for Ordnance organizations for the maintenance of Automotive and Semi-Automotive Vehicles are listed in ORD 6 SNL G-27, "Tools, Maintenance, for Repair of Automotive and Semi-Automotive Vehicles," and are issued as required.

NOTES

The SNL reference in the note symbol column indicates the SNL in which the item is stored, issued, and reviewed.

The major item indicated by (∅) is stored, issued and reviewed under "Major Items", ORD 3 SNL G-1.

(a) Items indicated by (W) are non-expendable.

(b) Items not marked by (W) are expendable.

∅

W

SERVICE PARTS CATALOG

(ORD 9)

ORD 9 lists all parts of the vehicle which are considered to be Items of Service, whether or not available for issue. Its prime purpose is to facilitate the location and identification of parts, to establish Standard Nomenclature for the description of parts and to show the quantity per unit assembly. Illustrations of parts will be found only in this section of the Standard Nomenclature List.

THIS SECTION (ORD 9) IS NOT TO BE USED FOR REQUISITIONING PARTS.

ATTACHING PARTS

Attaching parts, such as rivets, bolts, nuts, screws, etc., are indented immediately under parts which they attach. This promotes quick selection of the attaching parts needed for use in the installation of other parts.

QUANTITY PER UNIT ASSEMBLY

The Quantity per Unit Assembly Column lists the quantity of the part required for the particular use in question. If, for example, there are two engines in the vehicle, the quantities of the components listed will be double the number required in one engine. It is necessary to check the quantity of assemblies before using the indicated quantity of components to determine the quantity required per engine. In the case of attaching parts, the quantity of the items attached should be checked.

GROUP 06—ELECTRICAL

Figure Number	Official Stockage Number Order and Store by This Number	Part Number		ITEM	Quant. Reqd. per Unit Assy.
		Ordnance	Manufacturer		
Col. 1	Col. 2	Col. 3	Col. 4	Col. 5	Col. 6
06-1	H004-506603	C87132C	HC-2480	GROUP 06—ELECTRICAL 0606—SWITCHES SWITCH, blackout, less cover	1
06-1	H001-07-21001 H001-10-26133 H001-15-17008	105604 114363 112723	HLC-A151C69 AL-104672 AL-104672 AL-100149 AL-104672 AL-100149 KH-TC-58	0606B—CHASSIS WIRING BOX, junction, assembly NUT, reg., sq, unfin., S., 1/4-20NC-2 SCREW, machine, oval-fil-hd., S., 1/4-20NC-2 WASHER, lock, reg., S., 1/4 in. (0.265 I.D. x 0.453 O.D. 3/32 x 1/16 thick) CABLE, auto., ru. ins., cot-brd., lacqd., sgle-cond., stranded, black, 16 gauge, 12 ft. 6 in., front socket to rear socket CABLE, auto., ru. ins., cot-brd., lacqd., sgle-cond., stranded, blue, 16 gauge, 12 ft. 6 in., front socket to rear socket CABLE, auto., ru. ins., cot-brd., lacqd., sgle-cond., stranded, green, 14 gauge, 31 ft. 6 in., taillight CABLE, auto., ru. ins., cot-brd., lacqd., sgle-cond., stranded, red, 16 gauge, 12 ft. 6 in., front socket to rear socket CABLE, auto., ru. ins., cot-brd., lacqd., sgle-cond., stranded, white, 14 gauge, 31 ft. 6 in., taillight CLAMP, dual, 3/8 in. O.D. tubing NUT, reg., sq, S., 3/16-24NC-2 SCREW, machine, rd-hd., S., 3/16-24NC-2 x 1/2 in. WASHER, lock, reg., S., 3/16 in. CLAMP, single, 3/8 in. O.D. tubing NUT, reg., sq, S., 3/16-24NC-2 SCREW, machine, rd-hd., S., 3/16-24NC-2 x 1/2 in. WASHER, lock, reg., S., 3/16 in.	2 8 8 8 1 1 1 1 1 3 6 6 6 8 8 8 8 6 1 4 1 4 1 1
06-1	H001-10-30584	100763	IB-68F HLC-12A1046	CONNECTOR, brass, 3/8 in. O.D. tube x 1/4 in. I.P.S. COVER, junction housing (4 in. square)	8
06-1	H001-10-30584	100763	HLC-12A1645	COVER, junction housing (5 in. x 7 in.) SCREW, machine, rd-hd., S., No. 10 (190) 32NF-2 x 3/8 in.	8
06-1	H001-10-30584	100763	HLC-22A893 HLC-22A996	SCREW, machine, rd-hd., S., No. 10 (190) 32NF-2 x 3/8 in. GASKET, segalite, junction housing (4 in. square) GASKET, segalite, junction (5 in. x 7 in.)	1 4 1 1

Col. 1	Col. 2	Col. 3	Col. 4	Col. 5	Col. 6
06-1			HLC-6C681	HOUSING, junction, 4 in. square	1
06-1			HLC-6C696	HOUSING, junction, (5 in. x 7 in.)	1
			TB-H-166	SLEEVE, insuliner, (used on TERMINAL TB-B36, TB-B71, TB-B77, 14 gauge wire only)	as req.
			TB-H-148	SLEEVE, insuliner, (used on TERMINAL, TB-B36, TB-71, TB-77, 16 gauge wire only)	as req.
	H004-03-70040	506207 A213823C	TB-B77	TERMINAL, wire, eyelet type, No. 8 screw, hole, 14 gauge or 16 gauge wire	10
			TB-B36	TERMINAL, wire, eyelet type, No. 10 screw, hole, 14 gauge or 16 gauge wire	6
			TB-B71	TERMINAL, wire, eyelet type, 1/4 in. screw, hole, 14 gauge or 16 gauge wire	2
06-1			HLC-54-658	TUBE, steel, Bundy Weld, 3/8 in. O.D. x .028 in. wall, 50 ft. length	1
06-1	M001-01-14375		IB-62F	UNION, brass, 3/8 in. O.D. tube	1
			WEB-3703	0606F—TRAILER ELECTRIC COUPLING PARTS	
	9400-3703		WEB-11935B	CABLE, coupling, 8 ft. 6 in. long (trailer to trailer)	2
	G102-04-0526		WEB-11296B	COVER, coupling socket, assembly (hinged)	2
	9400-11296B			KIT, repair, coupling socket and mounting	1
			WEB-110007	(Consists of: 4—NUT, regular hex, s-fin., 1/4-28NF-2 2—SCREW, cap, hex-hd., S., 1/4-28NF-2 x 1 in. 2—SCREW, cap, hex-hd., S., 1/4-28NF-2 x 3/4 in. 4—WASHER, lock, reg., S., 1/4 in.)	
	H001-07-18021	218563		RING, retaining, socket cover dust seal	2
	H001-10-13215	215914		SHIELD, dust, socket cover	2
	H001-10-13213	215912		SOCKET, coupling, less cover	2
	H001-15-18007	103319		NUT, regular, sq., unfin., S., 1/4-20NC-2	8
	D017-03-09544	A190781		SCREW, machine, oval fil-hd., S., 1/4-20NC-2 x 2	8
	F226-02-42470	B152751 B161848 105604		WASHER, lock, reg., steel, 1/4 in. (0.265 I.D. x 0.453 O.D. 3/32 x 1/16 thick)	8
	H004-03-55720	114363			
06-1	H001-07-21001	112723			
	H001-10-26133				
	H001-15-17008				
			CL-16538	0607C—FUSES	1
			CL-5360	BLOCK, fuse, 3 poles	3
				FUSE, 20 ampere, 3AG	
			KD-8045	0608—TAILLIGHTS	2
06-2			KD-2461	BODY, taillight, right and left	1
06-2	H004-504432	A282769	KD-2460	DOOR, taillight, left	1
06-2	H004-504430	A282770	KD-8040-6V	DOOR, taillight, right	1
06-2	H004-504420	504420		LAMP-UNIT, blackout tail, sealed, 4-opening, 6 volt, 3 cp., assembly (lower, left and right)	2
06-2	H004-504423	504423		LAMP-UNIT, blackout stop, sealed, one opening, 6 volt, 3 cp., assembly (upper, right)	1
06-2	H004-504417	504417		LAMP-UNIT, service tail and stop, sealed, 6 volt, 32-6 cp., assembly (upper, left)	1

Key	Item	Manufacturer's Number	Group
A	HOUSING	HLC-6C681	0606B
B	GASKET	HLC-22A893	0606B
C	COVER	HLC-12A1046	0606B
D	BOX	HLC-A151C69	0606B
E	SOCKET	WEB-3529	0606F
F	COVER	WEB-11935B	0606F
G	CONNECTOR	IB-68F	0606B
H	TUBING	HLC-54-658	C606B
I	UNION	IB-62F	0606B
J	COVER	HLC-12A1645	0606B
K	GASKET	HLC-22A996	0606B
L	HOUSING	HLC-6C696	0606B
M	SWITCH	HC-2480	0606

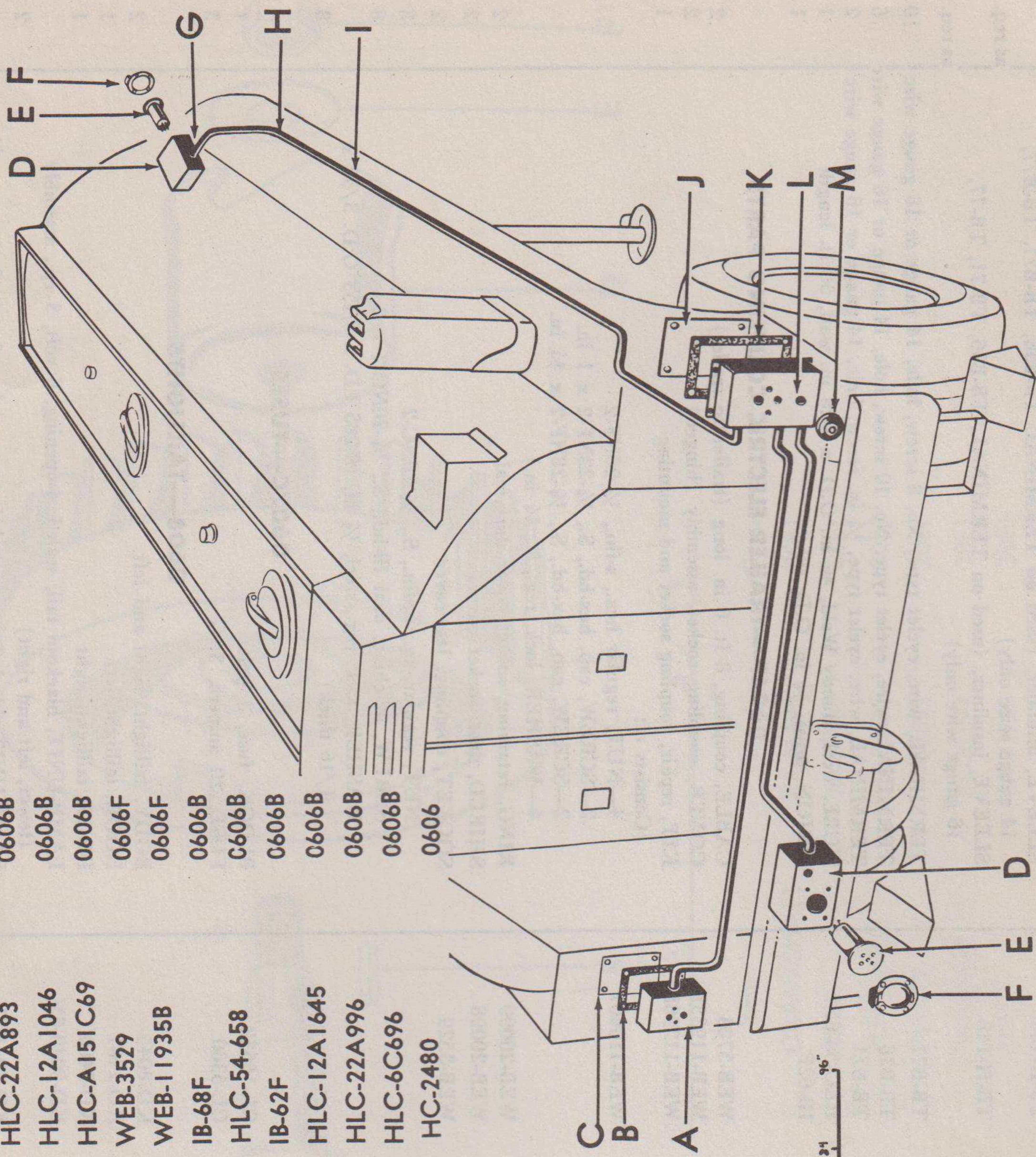
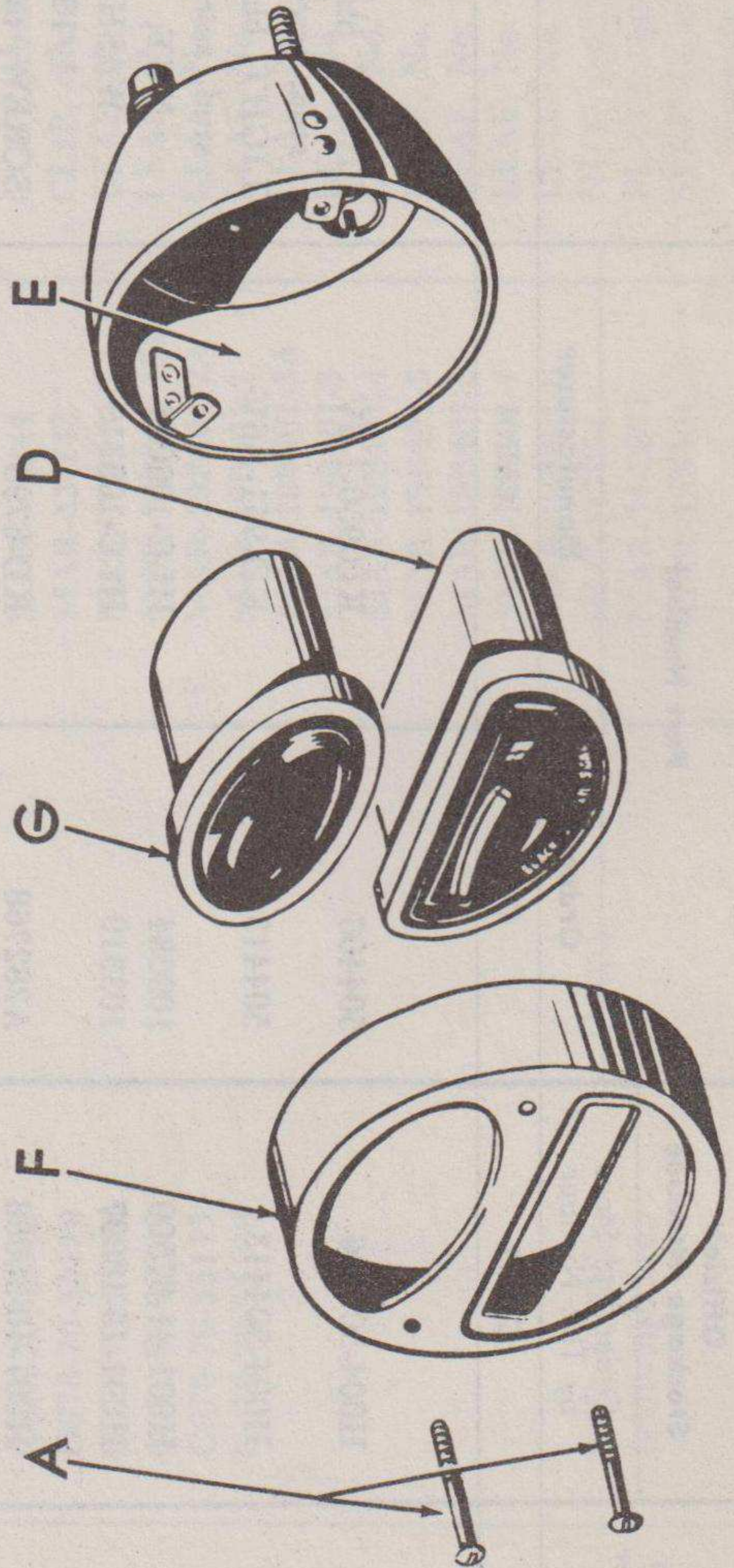
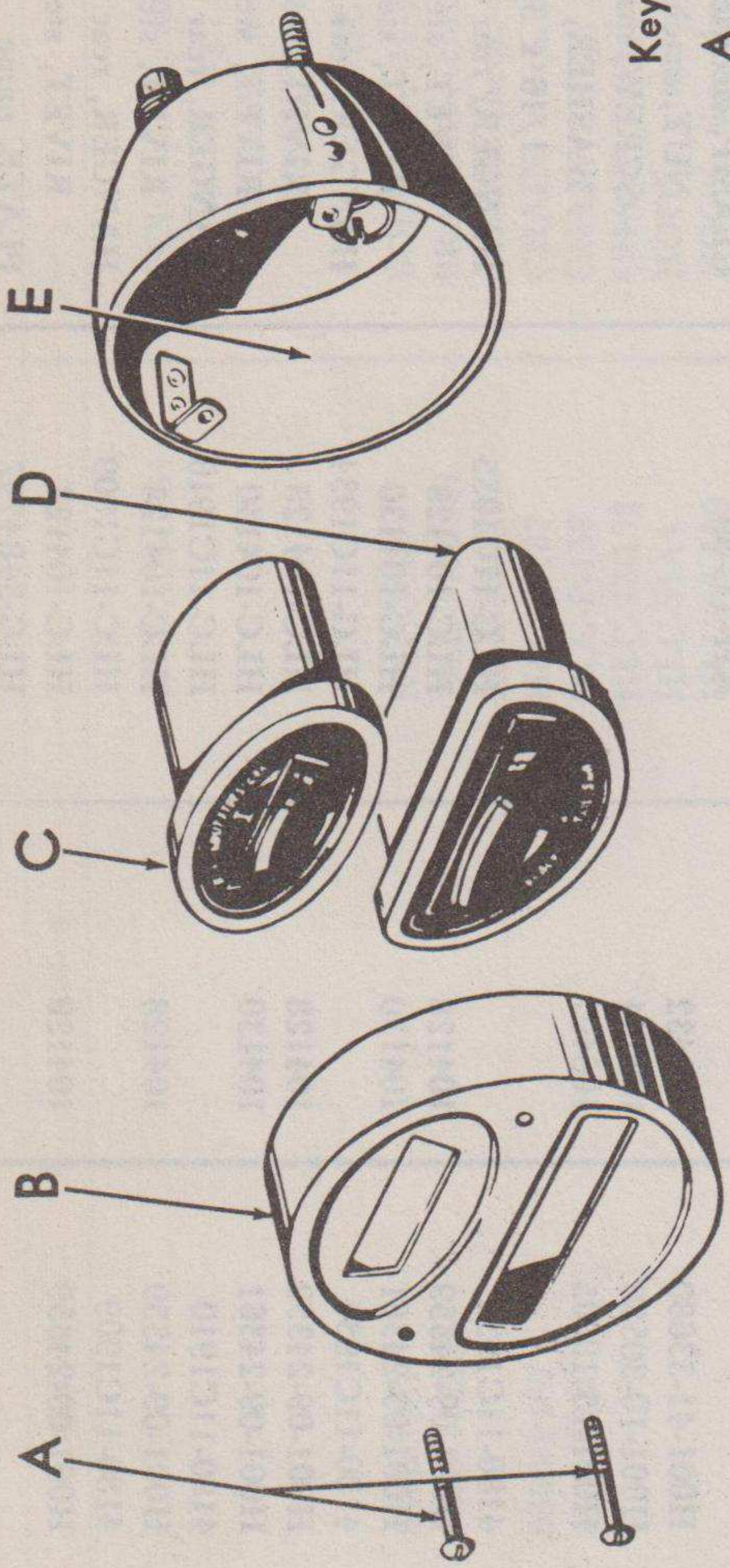


FIGURE 06-1—ELECTRICAL INSTALLATION



Key	Item	Manufacturer's Number	Group
A	SCREW	KD-6798	0608
B	DOOR, RIGHT	KD-2460	0608
F	DOOR, LEFT	KD-2461	0608
G	LAMP UNIT, ASSEMBLY	KD-8040-6V	0608
D	LAMP UNIT, ASSEMBLY	KD-8039-6V	0608
C	LAMP UNIT, ASSEMBLY	KD-8041-6V	0608
E	BODY, ASSEMBLY	KD-8045	0608

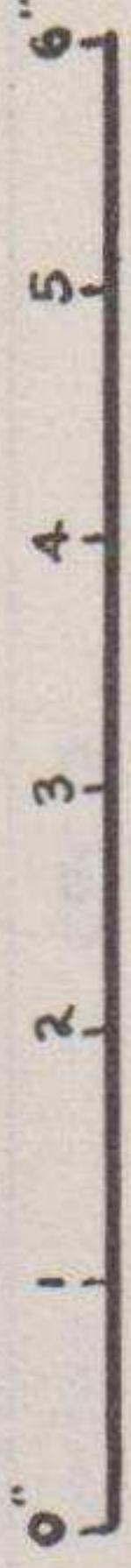


FIGURE 06-2—BLACKOUT LIGHTS

GROUP 10-A—DOLLY

Figure Number	Official Stockage Number		Part Number		ITEM	Quant. Reqd. per Unit Assy.
	Order and Store by This Number	Col. 2	Ordinance	Col. 4		
06-2	H004-504406	504406	KD-950-1-6V	<p>0608—TAILLIGHTS (Cont'd)</p> <p>LIGHT, blackout tail and service tail and stop, 6 volt, 7/8 in. long mtg. stud, assembly (left)</p> <p>LIGHT, blackout tail and blackout stop, 6 volt, 7/8 in. long mtg. stud, assembly (right)</p> <p>NUT, reg., hex., S., 1/4-20NC-2</p> <p>WASHER, lock reg., S., 1/4 in. (0.265 I.D. x 0.453 O.D. 3/32 x 1/16 thick)</p> <p>SCREW, taillight door</p>	1	
06-2	H004-504413	504413	KD-951-1-6V		1	
	H001-41-67500	109084	HLC-109084		4	
	H001-15-18007	103319	HLC-103319		4	
06-2	H001-10-30088	A282768	KD-6798	4		
	H001-41-33680	112432	KH-TC-149	<p>GROUP 10-A DOLLY</p> <p>10A1—DOLLY FRAME AND BRACKETS</p> <p>CLAMP, air brake line tubing</p> <p>NUT, machine screw, hex., No. 10 (0.190)-32NF-2</p> <p>SCREW, machine, rd-hd., S., No. 10 (0.190)-32NF-2 x 1/2</p> <p>WASHER, lock, reg., S., No. 10 (0.190) (0.200 I.D. x 0.325 O.D. 1/16 x 3/64 thick)</p> <p>CLAMP, electric line tubing</p> <p>NUT, machine screw, hex., No. 10 (0.190)-32NF-2</p> <p>SCREW, machine, rd-hd., S., No. 10 (0.190)-32NF-2 x 1/2</p> <p>WASHER, lock, reg., S., No. 10 (0.190) (0.200 I.D. x 0.325 O.D. 1/16 x 3/64 thick)</p>	4	
	H001-10-30586	100764			4	
	H001-15-18005	106497			4	
	H001-41-33680	112432			4	
	H001-10-30586	100764	KH-TC-89	<p>CLAMP, electric line tubing</p> <p>NUT, machine screw, hex., No. 10 (0.190)-32NF-2</p> <p>SCREW, machine, rd-hd., S., No. 10 (0.190)-32NF-2 x 1/2</p> <p>WASHER, lock, reg., S., No. 10 (0.190) (0.200 I.D. x 0.325 O.D. 1/16 x 3/64 thick)</p>	2	
	H001-15-18005	106497			2	
	4180-11C1935	104128			2	
	H001-09-24359	104130			2	
10-3	H001-09-24361	104130	<p>HLC-11C1935</p> <p>HLC-104128</p> <p>HLC-104130</p> <p>HLC-11C1934</p> <p>HLC-104128</p> <p>HLC-104130</p> <p>HLC-11C1910</p> <p>HLC-104128</p> <p>HLC-11C1909</p> <p>HLC-104128</p> <p>HLC-34B4747</p>	<p>HANGER, rear spring, front left</p> <p>RIVET, steel, b-hd., 1/2 x 1 1/8</p> <p>RIVET, steel, b-hd., 1/2 x 1 3/8</p> <p>HANGER, rear spring, front right</p> <p>RIVET, steel, b-hd., 1/2 x 1 1/8</p> <p>RIVET, steel, b-hd., 1/2 x 1 3/8</p> <p>HANGER, rear spring, rear left</p> <p>RIVET, steel, b-hd., 1/2 x 1 1/2</p> <p>HANGER, rear spring, rear right</p> <p>RIVET, steel, b-hd., 1/2 x 1 1/8</p> <p>PLATE, name</p>	2	
	4180-11C1934	104128			1	
	H001-09-24359	104130			8	
	H001-09-24361	104128			1	
10-3	4180-11C1910	104128	<p>HLC-11C1910</p> <p>HLC-104128</p> <p>HLC-11C1909</p> <p>HLC-104128</p>	<p>HANGER, rear spring, rear left</p> <p>RIVET, steel, b-hd., 1/2 x 1 1/2</p> <p>HANGER, rear spring, rear right</p> <p>RIVET, steel, b-hd., 1/2 x 1 1/8</p>	1	
	H001-09-24359	104128			9	
	4180-11C1909	104128			1	
	H001-09-24359	104128	HLC-34B4747	1		

Col. 1	Col. 2	Col. 3	Col. 4	Col. 5	Col. 6
				10B1—DOLLY DRAWBAR	
			HLC-A26C864	RING, pintle, assembly NUT, reg, sq., S., 3/16-24NC-2 SCREW, machine, rd-hd., S., 3/16-24NC-2 x 1/2 in. WASHER, lock, reg, S., 3/16 in.	1 4 4 4
				10C1—DOLLY CHECK AND SAFETY CHAINS	
	0360-3087		HLC-3087	BOLT, eye, 7/8-14NC-2 safety chain	2
	0360-11B2961		HLC-11B2961	BRACKET, check chain	1
	0360-P187		HLC-43-153	CHAIN, check, 9 links, 1/2 in. dia. x 15 in.	2
	0360-P138		HLC-P-187	CHAIN, check, assembly	1
			HLC-P-138	CHAIN, safety, assembly	1
			HLC-43-152	CHAIN, safety, 47 links, 1/2 in. dia. x 5 ft. 7 in.	2
			HLC-53A4	HOOK, grab, safety chain	2
			HLC-53-350	HOOK, slip, check chain	4
			HLC-4A453	LINK, hook, check chain	2
			HLC-4A454	LINK, hook, safety chain shackle	2
			HLC-4A455	LINK, safety chain grab hook	4
			HLC-201-1	SHACKLE, jappaned anchor, 1/2 in. dia., round pin (for check and safety chain)	4
	0360-19A399		HLC-19A399	SPRING, check chain	1
				10D1—DOLLY SPRINGS	
	G678-70-09305		MAR-48-985	BOLT, spring center	2
	G678-70-35112		MAR-X-2-290	BOLT, spring rebound clip, w/NUT, assembly	8
10-3			HLC-176096	BOLT, hex., 1/2-20NF-2 x 5 1/2 in. (spring rebound)	2
	G678-70-09308		MAR-33-242	CLIP, rebound, bolt type, main spring, small	4
	G678-70-09302		MAR-33-244	CLIP, rebound, clinch type, auxiliary spring	4
	G678-70-35110		MAR-33-243	CLIP, rebound, bolt type, main spring, large	4
	G678-70-35114		MAR-19B401-1A	LEAF, No. 1, auxiliary spring	2
	G678-70-09306		MAR-19B401-1M	LEAF, No. 1, main spring	2
	G678-70-35115		MAR-19B401-2A	LEAF, No. 2, auxiliary spring	2
	G678-70-35108		MAR-19B401-2	LEAF, No. 2, main spring	2
			MAR-19B401-3A	LEAF, No. 3, auxiliary spring	2
			MAR-19B401-3	LEAF, No. 3, main spring	2
			MAR-19B401-4	LEAF, No. 4, main spring	2
			MAR-19B401-5	LEAF, No. 5, main spring	2
			MAR-19B401-6	LEAF, No. 6, main spring	2
			MAR-19B401-7	LEAF, No. 7, main spring	2
			MAR-19B401-8	LEAF, No. 8, main spring	2
10-3	H001-41-71680		HLC-117051	NUT, reg, hex., S., 1/2-20NF-2	2
	G678-70-35105	117051	MAR-34-2871	PLATE, spring spacer (between main and auxiliary springs)	2
10-3			MAR-19B401	SPRING, assembly	4
				(Consists of: ◆ 1—SPRING, auxiliary assembly (3 leaves w/2 SPACERS) ◆ 1—SPRING, main, assembly (8 leaves)	2
	G678-70-09299		MAR-19B401-A		
	G678-70-35117		MAR-19B401M		

◆ Also listed separately

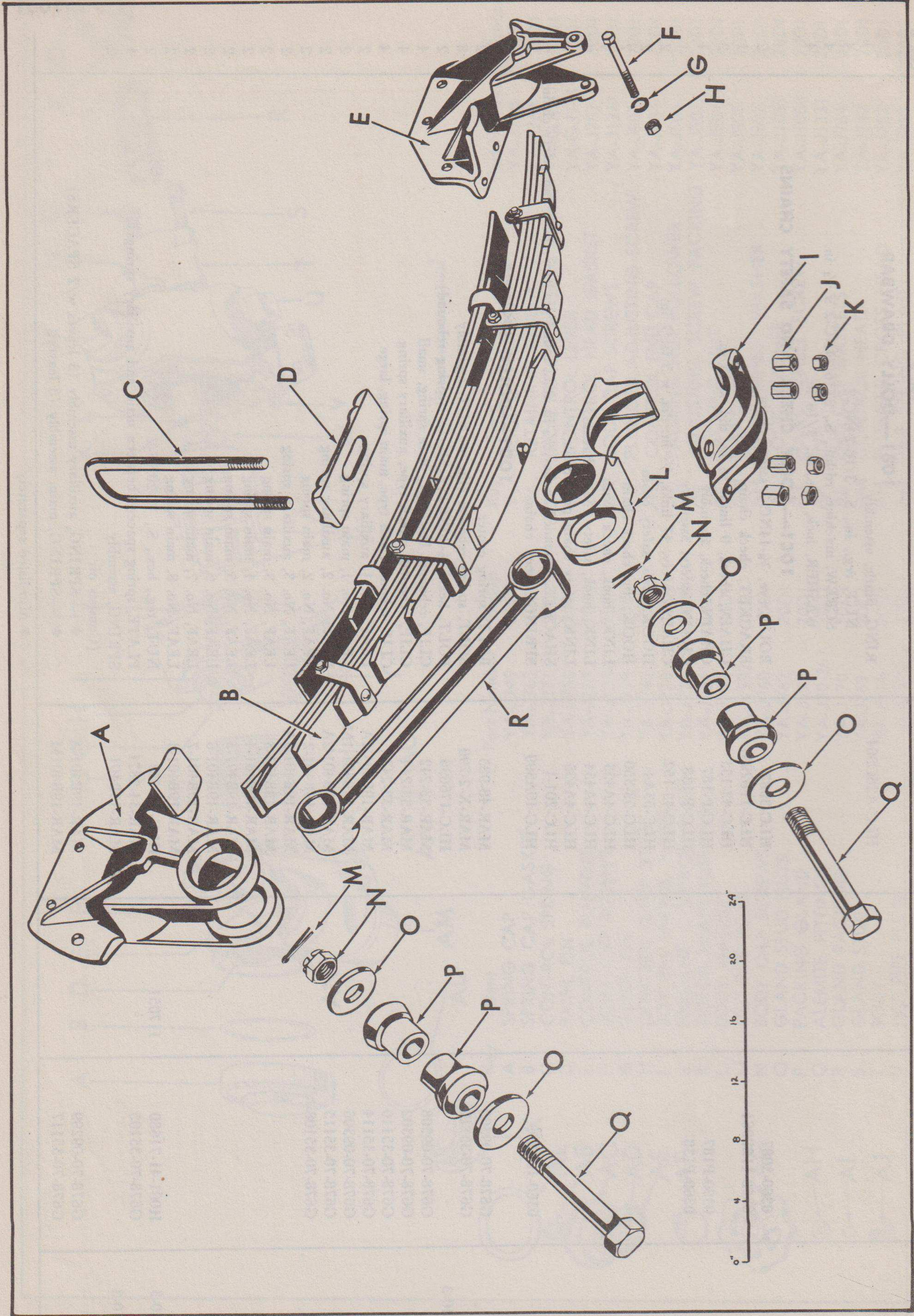


FIGURE 10-3—SPRINGS AND RADIUS RODS

RA PD 344037

Key	Item	Part Number	Group	Key	Item	Part Number	Group
A	HANGER, LEFT FRONT	HLC-11C1935	1500 & 10A1	J	NUT	HLC-170558	1602 & 10E1
B	SPRING	HLC-19B401	1601A & 10D1	K	NUT	ORD-219753	1602 & 10E1
C	U-BOLT	HLC-78A510	1602 & 10E1	L	SEAT	HLC-103C73	1602 & 10E1
D	CLAMP	HLC-141B15	1602 & 10E1	M	PIN	HLC-103388	1604A & 10F1
E	HANGER, LEFT REAR	HLC-11C1910	1500 & 10A1	N	NUT	ORD-218473	1604A & 10F1
F	BOLT	HLC-176096	1601A & 10D1	O	WASHER	HLC-55A316	1602 & 10E1
G	WASHER	HLC-103323	1601A & 10D1	P	BUSHING	HLC-9A592	1604A & 10F1
H	NUT	HLC-117051	1601A & 10D1	Q	BOLT	HLC-A47A215	1604A & 10F1
I	CLAMP	HLC-36B128	1602 & 10E1	R	ROD	HLC-27B1289	1604A & 10F1

LEGEND FOR FIGURE 10-3—SPRINGS AND RADIUS RODS

RA PD 344037A

Figure Number	Official Stockage Number		Part Number		ITEM	Quant. Reqd. per Unit Assy.
	Order and Store by This Number	Col. 2	Ordinance	Col. 3		
Col. 1		Col. 2		Col. 3	Col. 4	Col. 6
10-3	G678-70-09299 G678-70-35117 G678-70-35111 H001-15-18011		103323		MAR-19B401-A MAR-19B401M MAR-34-487 HLC-103323	2 2 8 2
10-3	G678-70-35119 G678-70-35120				HLC-36B128 HLC-141B15 HLC-170558	2 2
10-3	4180-170558 H001-07-16028		219753		HLC-103C73 HLC-15A665 HLC-78A510 HLC-55A316	8 8 2 2
10-3	G678-70-35125 G678-70-35126 H001-07-14010 H001-08-11055 G678-70-35124		218473 103388		HLC-A47A215 HLC-9A592 HLC-103388 HLC-27B1289 HLC-52A439	4 8 4 4 2 4

10D1—DOLLY SPRINGS (Cont'd)

SPRING, auxiliary, assembly (3 leaves w/2 SPACERS)
 SPRING, main, assembly (8 leaves)
 TUBE, rebound clip spacer
 WASHER, lock, reg, S, 1/2 in. (0.515 I.D. x 0.859 O.D.
 11/64 x 1/8 thick)

10E1—DOLLY SPRING SHACKLES AND ATTACHING PARTS

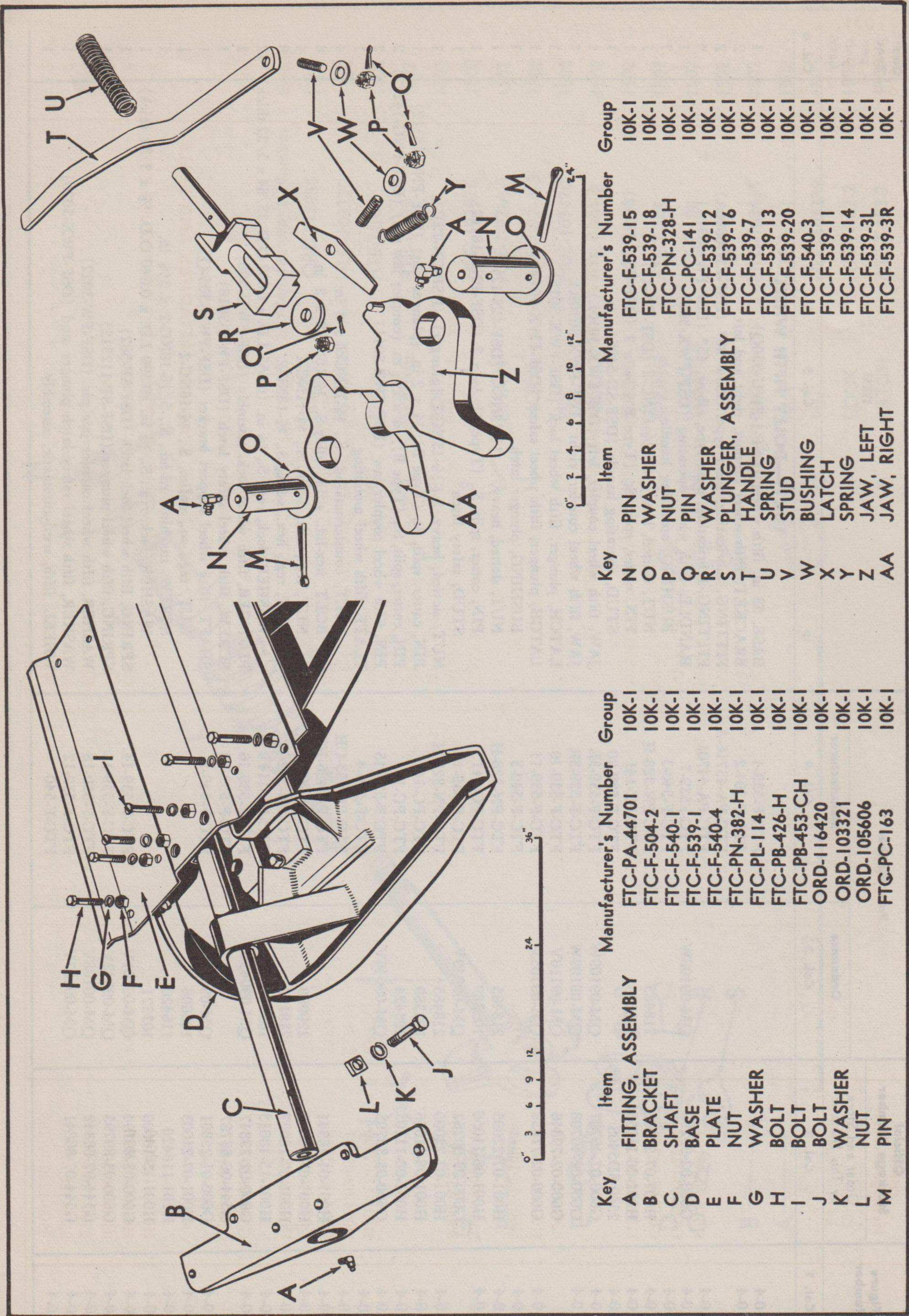
CLAMP, lower spring
 CLAMP, upper spring
 NUT, high hex. 3/4-16, U-bolt
 NUT, jam, hex., s-fin., S., 3/4-16NF-2
 SEAT, main spring
 SPACER, rear spring bracket
 U-BOLT, 3/8-16NF x 13 in. w/2 1/2 in. RADIUS BEND (spring clamping)
 WASHER, retainer, spring bushing

10F1—DOLLY RADIUS RODS

BOLT, radius rod, front and rear
 BUSHING, rubber, radius rod
 NUT, castle, alloy-S., 1-14NF-2
 PIN, cotter, split, S., 1/8 in. x 1 3/4 in.
 ROD, radius, 16-5/16 in., center to center
 STUD, radius rod

GROUP 10-A—DOLLY

Figure Number	Official Stockage Number		Part Number		ITEM	Quant. Reqd. per Unit Assy.
	Order and Store by This Number	Col. 2	Col. 3	Col. 4		
Col. 1	Col. 2		Col. 3	Col. 4	Col. 5	Col. 6
10-6					10G1—DOLLY AXLE	
10-6	G678-70-35104			TD-T-2090N	AXLE, w/o BRAKES, assembly	1
10-6	G116-03-02200			TD-A1-3274-J-114	BEAM, axle, w/SPRING SEATS, assembly	1
10-6	G067-03-00740			TD-AT-6880	NUT, wheel bearing, inner	1
10-6	G102-03-07225			TD-T3564	NUT, wheel bearing, outer	2
				TD-T3840	WASHER, lock, wheel pin type bearing nut	2
10-6	8500-3262-E-31			TD-3262-E-31	10H1—DOLLY WHEELS, HUBS, AND STUDS	
10-6	H001-10-13071		BCAX1ED	TD-2X-43	CAP, hub	2
10-6	H001-15-18011		103323	TD-X-531	SCREW, cap, hex-hd., S., 1/2-13NC-2 x 1 1/4 in.	12
10-6	8500-2208-A105			TD-2208-A105	WASHER, lock, reg., S., 1/2 in. (0.515 I.D. x 0.859 O.D. 11/64 x 1/8 thick)	12
	8500-A333-W-179			TD-A-339-W-179	GASKET, hub cap	2
10-6				TD-B41-333-W-179	HUB AND CUP, w/o STUDS, assembly, right and left	2
				TD-B40-333-W-179	HUB AND CUP, w/STUDS, assembly, left	2
				TD-1227-E-265	HUB AND CUP, w/STUDS, assembly, right	1
10-6	H001-41-67800		BBTX1SB	TD13X9	NUT, drum stud	20
	D024-02-03537		537810	TD-1199-M-1053	NUT, hex., 3/4-16NF-2, drum to hub stud	20
	D024-02-03538		537809	TD-1199-N-1054	NUT, wheel stud, inner, left (BW-10709)	10
10-6	D024-02-03536		537806	TD-1199-K-1051	NUT, wheel stud, inner, right (BW-10708)	10
10-6	D024-02-03535		537805	TD-1199-L-1052	NUT, wheel stud, outer, left (BW-37892)	10
	G509-03-91513			TD-1244-G-111	NUT, wheel stud, outer, right (BW-37891)	10
	G509-03-91511			TD-20X27	SPACER, hub stud	20
10-6				TD-20X28	STUD, wheel hub, left (BW-12676)	10
					STUD, wheel hub, right (BW-12675)	10
10-6	H012-61-28640			TIM-5557	10J1—DOLLY BEARINGS, RETAINERS AND SEALS	
10-6	H012-62-12620		706783	TIM-5520	CONE AND ROLLER, taper roller bearing, wheel hub, inner and outer	4
10-6	8500-5X139			TD-5X139	CUP, taper roller bearing, wheel hub outer	4
10-6	8500-1205-M-117			TD-1205-M-117	FELT, oil seal, wheel bearing	2
10-6	8500-1205-L-116			TD-1205-L-116	RETAINER, wheel bearing, inner, felt	2
10-6	8500-1229-W-283			TD-1229-W-283	RETAINER, wheel bearing, outer, felt	2
					WASHER, spacing hub	2



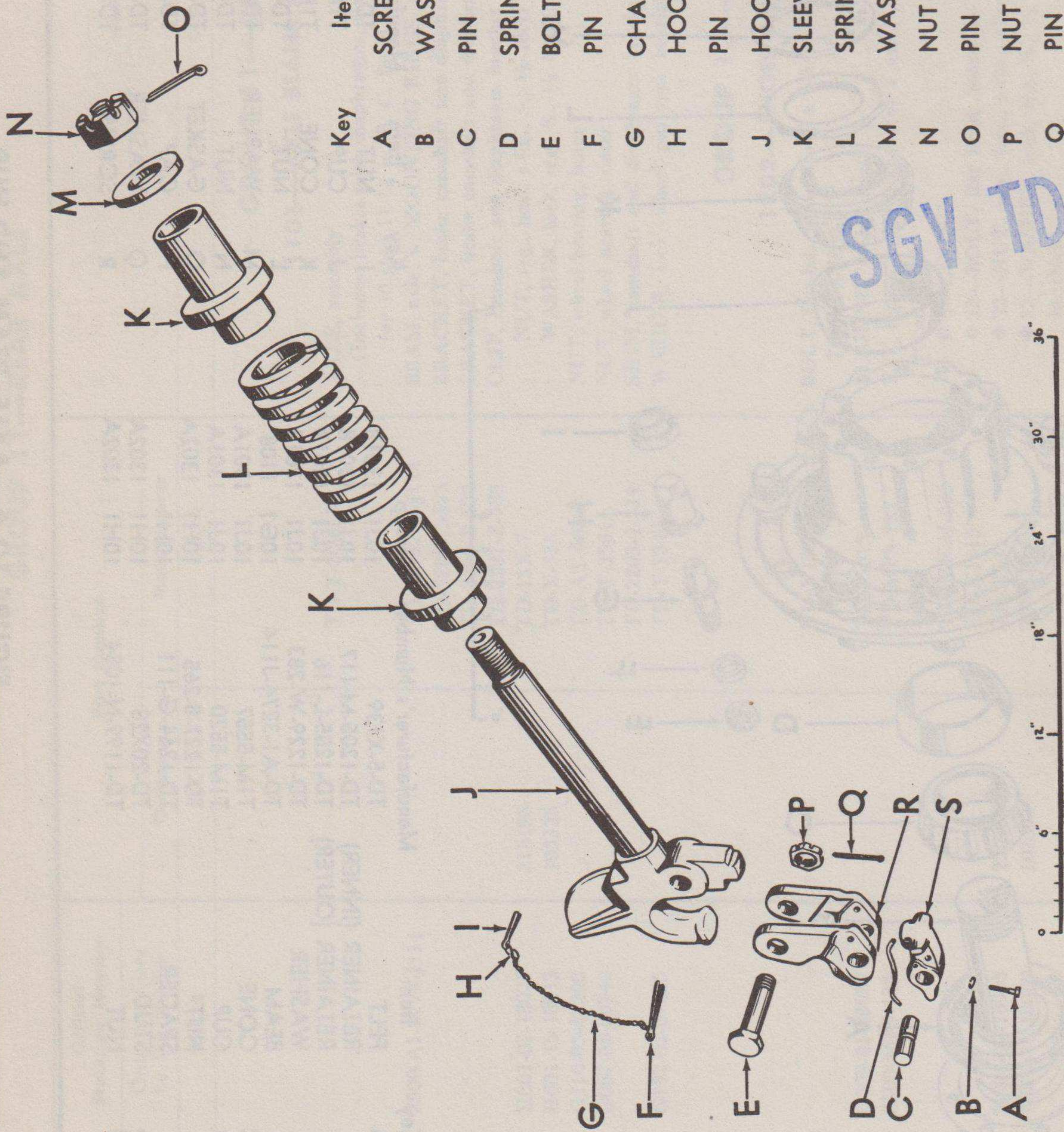
Key	Item	Manufacturer's Number	Group
A	FITTING, ASSEMBLY	FTC-PA-44701	10K-1
B	BRACKET	FTC-F-504-2	10K-1
C	SHAFT	FTC-F-540-1	10K-1
D	BASE	FTC-F-539-1	10K-1
E	PLATE	FTC-F-540-4	10K-1
F	NUT	FTC-PN-382-H	10K-1
G	WASHER	FTC-PL-114	10K-1
H	BOLT	FTC-PB-426-H	10K-1
I	BOLT	FTC-PB-453-CH	10K-1
J	BOLT	ORD-116420	10K-1
K	WASHER	ORD-103321	10K-1
L	NUT	ORD-105606	10K-1
M	PIN	FTG-PC-163	10K-1

Key	Item	Manufacturer's Number	Group
N	PIN	FTC-F-539-15	10K-1
O	WASHER	FTC-F-539-18	10K-1
P	NUT	FTC-PN-328-H	10K-1
Q	PIN	FTC-PC-141	10K-1
R	WASHER	FTC-F-539-12	10K-1
S	PLUNGER, ASSEMBLY	FTC-F-539-16	10K-1
T	HANDLE	FTC-F-539-7	10K-1
U	SPRING	FTC-F-539-13	10K-1
V	STUD	FTC-F-539-20	10K-1
W	BUSHING	FTC-F-540-3	10K-1
X	LATCH	FTC-F-539-11	10K-1
Y	SPRING	FTC-F-539-14	10K-1
Z	JAW, LEFT	FTC-F-539-3L	10K-1
AA	JAW, RIGHT	FTC-F-539-3R	10K-1

FIGURE 10-4—DOLLY FIFTH WHEEL

GROUP 10-A—DOLLY

Figure Number	Official Stockage Number		Part Number		ITEM	Quant. Reqd. per Unit Assy.
	Order and Store by This Number	Col. 2	Ordinance	Manufacturer		
Col. 1	Col. 2		Col. 3	Col. 4	Col. 5	Col. 6
10K1—DOLLY FIFTH WHEEL						
10-4				FTC-F-539-1	BASE, 33 in. fifth wheel (DSF-1-FWU-330Q)	1
10-4				FTC-F-504-2	BRACKET, fifth wheel support, right and left	2
10-4				FTC-PA-43716-A	FITTING, lubricating, push type, elbow 90° (DSF-FW-6890A)	2
10-4				FTC-PA-44701	FITTING, lubricating, push type, elbow, 45° (DSF-FW-6891A)	4
10-4			QM-09106W	FTC-F539-7	HANDLE, fifth wheel operating (DSF-FWX-308)	1
10-4	G600-02-09299			FTC-F-540-3	BUSHING, operating handle	1
10-4			218485	FTC-PN-328-H	NUT, slotted, heavy, S., 1/2-13NC-2 (DSF-CN-12)	1
10-4	H001-07-22005		103389	FTC-PC-141	PIN, cotter, split, S., (Type B), 1/8 x 2 (DSF-PNC-18112)	1
10-4	H001-08-11056			FTC-F-539-20	STUD, operating handle (DSF-SD-540S)	1
10-4	2540-SD540S		QM-09109W	FTC-F-539-3L	JAW, fifth wheel coupler, left (DSF-FWX-3010L)	1
10-4	G600-02-40707		QM-09109W	FTC-F-539-3R	JAW, fifth wheel coupler, right (DSF-FWX-3010R)	1
10-4	G600-02-40708		QM-09110V	FTC-F-539-10	LATCH, plunger, fifth wheel lock (DSF-FWX-3015)	1
10-4	G600-02-79846		QM-09103V	FTC-F-539-11	LATCH, plunger, fifth wheel safety (DSF-FWX-3019)	1
10-4	G600-02-71838			FTC-F-540-3	BUSHING, plunger latch	1
10-4			218485	FTC-PN-328-H	NUT, slotted, heavy, S., 1/2-13NC-2 (DSF-CN-12)	1
10-4	H001-07-22005		103389	FTC-PC-141	PIN, cotter, split, S., (Type B), 1/8 x 2 (DSF-PNC-18112)	1
10-4	H001-08-11056		QM-09049V	FTC-F-539-17	STUD, safety latch	1
10-4	G600-03-90262		218485	FTC-PN-328-H	NUT, slotted, heavy, S., 1/2-13NC-2 (plunger) (DSF-CN-12)	1
10-4	H001-07-22005		103389	FTC-PC-141	PIN, cotter, split, S., (Type B), 1/8 x 2 in. (plunger nut) (DSF-PNC-18112)	1
10-4	H001-08-11056		103424	FTC-PC-163	PIN, cotter, split, S., (Type B), 1/4 x 2 1/2 in. (coupler jaw pin) (DSF-PNG-14212)	2
10-4	H001-08-11103		QM-09046V	FTC-F-539-15	PIN, fifth wheel coupler jaw (DSF-FWZ-3011)	2
10-4	G600-03-38703			FTC-F-540-4	PLATE, fifth wheel mounting	1
10-4				FTC-PB-453-CH	BOLT, countersunk-hd., S., 5/8-11NC-2 x 3 in.	4
10-4	H001-01-16341			FTC-PB-426-H	BOLT, hex-hd., s-fin., alloy-S., 5/8-18NF-2 x 2 in.	8
10-4	H001-07-18007		220080	FTC-PN-383-H	NUT, reg., hex., s-fin., S., 5/8-11NC-2	4
10-4	H001-07-18027		218196	FTC-PN-382-H	NUT, reg., hex., s-fin., S., 5/8-18NF-2	8
10-4	H001-15-18013		103325	FTC-PL-114	WASHER, lock, reg., S., 3/8 in. (0.655 I.D. x 1.062 O.D. 13/64 x 5/32 thick)	12
10-4	G600-02-79847		QM-09045W	FTC-F-539-16	PLUNGER, fifth wheel lock, assembly (DSF-FWU-306)	1
10-4	G544-06-66787			FTC-F-539-19	SCREW, fifth wheel safety latch (DSF-FWX-3018)	1
10-4	G600-01-25801		QM-09048V	FTC-F-540-1	SHAFT, fifth wheel support bracket (DSF-FWU-305-Q)	1
10-4	H001-07-21003		105606		NUT, reg., sq., unfin., S., 3/8-16NC-2	1
10-4	H101-116420		116420		SCREW, machine, rd-hd., S., 5/16-18NC-2 x 3 1/2 in.	1
10-4	H001-15-18009		103321		WASHER, lock, reg., S., 3/8 in. (0.390 I.D. x 0.640 O.D. 1/8 x 3/32 thick)	1
10-4	G600-03-89794		QM-09101V	FTC-F-539-14	SPRING, fifth wheel lock latch (DSF-SP-582)	1
10-4	G600-03-89795		QM-09042V	FTC-F-539-13	SPRING, fifth wheel plunger (DSF-SP-112512)	1
10-4	G544-07-88842		QM-09108V	FTC-F-539-18	WASHER, fifth wheel coupler jaw pin (DSF-FW-3022)	2
10-4	G544-07-88841		QM-09107V	FTC-F-539-12	WASHER, fifth wheel safety latch plunger stud (DSF-FWX-3020)	1
10-4				FTC-F-540	WHEEL, fifth, semi-automatic, assembly	1



Key	Item	Manufacturer's Number	Group
A	SCREW	ORD-215955	1502
B	WASHER	HLC-103320	1502
C	PIN	ATE-T-107	1502
D	SPRING	ATE-T-105	1502
E	BOLT	ATE-T-109	1502
F	PIN	HLC-103426	1502
G	CHAIN	ATE-T-92-A-1	1502
H	HOOK	ATE-T-92-A-3	1502
I	PIN	HLC-103420	1502
J	HOOK	ATE-T-101-2	1502
K	SLEEVE	ATE-T-104	1502
L	SPRING	ATE-T-105	1502
M	WASHER	ATE-T-108	1502
N	NUT	ATE-T-59	1502
O	PIN	HLC-103415	1502
P	NUT	ATE-T-111	1502
Q	PIN	HLC-103389	1502
R	LOCK	ATE-T-102-2	1502
S	LATCH	ATE-T-103-2	1502

SGV TD

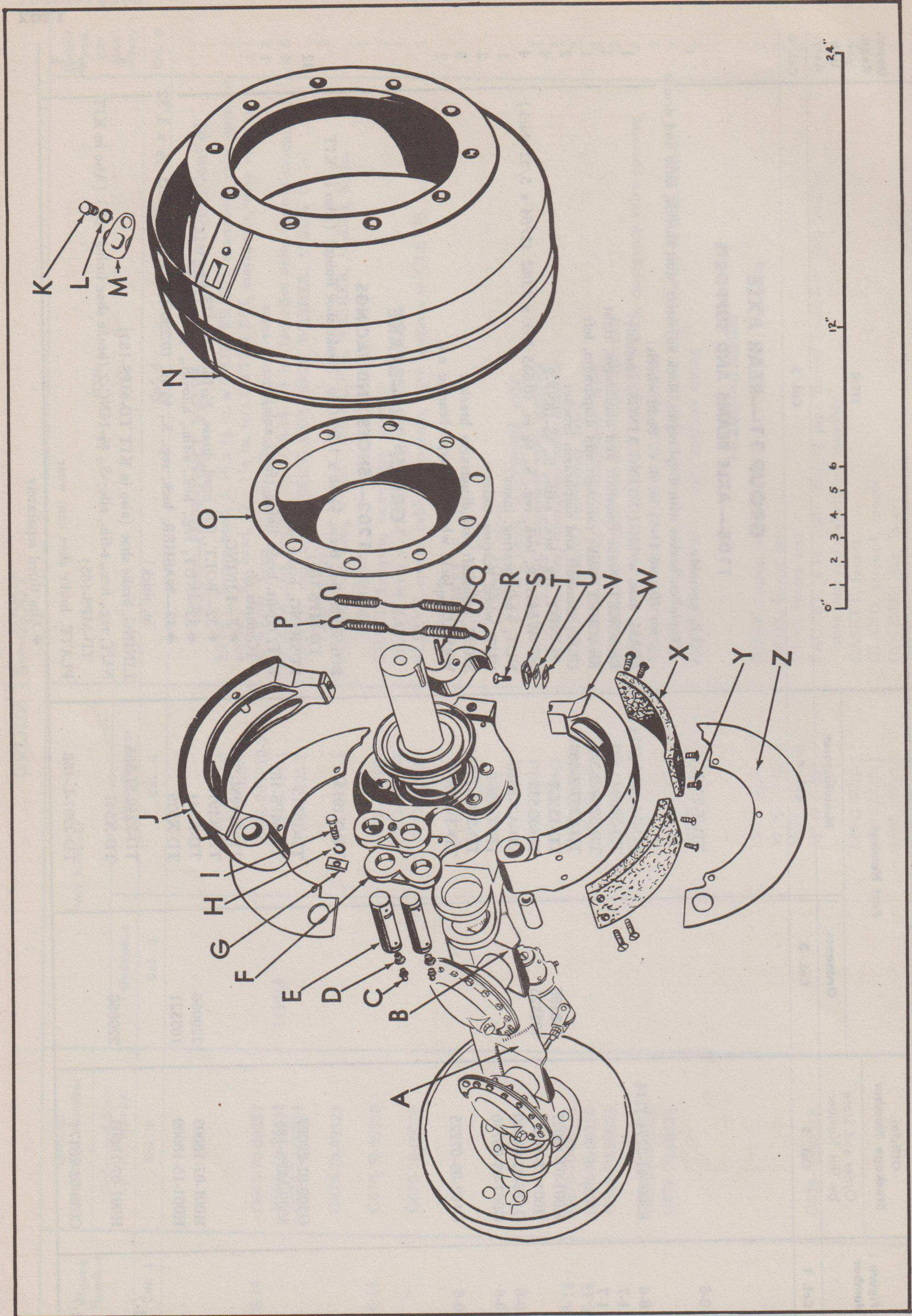
FIGURE 15-5—PINTLE HOOK

RA PD 344039

GROUP 11—REAR AXLE

Figure Number	Official Stockage Number Order and Store by This Number	Part Number		ITEM	Quant. Reqd. per Unit Assy.
		Ordnance	Manufacturer		
Col. 1	Col. 2	Col. 3	Col. 4	Col. 5	Col. 6
				GROUP 11—REAR AXLE	
				1108—AXLE BEAMS AND SUPPORTS	
10-6			TD-T-2090-W	AXLE, assembly (Includes: brakes with diaphragms, slack adjusters, dust shields, hubs and drums for 10 stud 11-1/4 in. B. C. Budd wheels)	1
10-6	8500-A1-3274-J114		TD-A1-3274-J114	BEAM, axle, w/MOUNTING RINGS, assembly	1
11-7			TD-3299-C-523	BRACKET, brake camshaft and diaphragm, right	1
11-7			TD-3299-B-522	BRACKET, brake camshaft and diaphragm, left	2
			TD-2297-Z-388	CLIP, camshaft and diaphragm bracket	4
		218196	TD-13X-7	NUT, reg, hex., s-fin., S., 5/8-18NF-2	4
		103325	TD-X-533	WASHER, lock, reg., S., 5/8 in. (0.655 I.D. x 1.062 13/64 x 5/32 thick)	4
10-6	H001-07-18027		TD-AT-6880	NUT, wheel bearing, inner	1
10-6	H001-15-18013		TD-T-3564	NUT, wheel bearing, outer	2
	G116-03-02200		TD-2203-J-374	SHIM, camshaft and diaphragm bracket	8
	G067-03-00740		TD-T-3840	WASHER, lock, wheel pin type bearing nut	2
10-6	G102-03-07225				
				GROUP 12—BRAKE	
				1202—SHOES AND FACINGS	
			TD-X1915	BOLT, flat-hd., brass, 3/8-16 x 1-5/16 in. (brake shoe lining) (Also in KIT TD-MPS-185)	32
			TD-15015	BUSHING, brake shoe	4
			TD-MPS-185	KIT, repair, brake lining (for 1 axle) (Consists of: ◆ 8—LINING ◆ 32—BOLT, flat head, brass, 3/8-16 x 1-5/16 in. ◆ 32—NUT, reg., hex., s-fin., alloy-S., 3/8-16NC-2 ◆ 32—WASHER, lock, reg., S., 3/8 in. (0.390 I.D. x 0.640 O.D. 1/8 x 3/32 in. thick)	1
	G509-01-29087		TD-2240M-585	LINING, brake shoe (also in KIT TD-MPS-185)	8
	8500-MPS-185		TD-X1915	NUT, reg., hex., s-fin., alloy-S., 3/8-16NC-2 (brake shoe lining bolt) (Also in KIT TD-MPS-185)	32
		220066	TD-X541	PLATE, brake shoe cam wear	4
	H001-07-18003		TD-X529		
	H001-15-18009	103321			
11-7	H001-07-18003	220066	TD-2240-M-585		
11-7	C039-02-20174		TD-X541		
			TD-2297-L-168		

◆ Also listed separately



RA PD 344041

FIGURE 11-7—BRAKES AND DRUM

Key	Item	Manufacturer's Number	Group	Key	Item	Manufacturer's Number	Group
A	BRACKET, L.H.	TD-3299-B-522	1108	N	DRUM	TD-3219-D-1460	1302
B	BRACKET, R.H.	TD-3299-C-523	1108	O	SLINGER	TD-3280-D-30	1302
C	FITTING	TD-A1898-U-203	1203	P	SPRING	TD-2258-A-53	1203A
D	BUSHING	TD-1199-F-760	1203	Q	BUSHING	TD-1225-G-85	1203
E	PIN	TD-1259-B-28	1203	R	CAMSHAFT, L.H.	TD-2210-B-1640	1203D
F	SPIDER	TD-A3211-Q-953	1203	S	CAMSHAFT, R.H.	TD-2210-C-1641	1203D
G	LOCK	TD-1229-D-108	1203	T	SCREW	TD-X1916	1202
H	WASHER	TD-X-528	1203	U	PLATE	TD-2297-L-168	1202
I	SCREW	TD-X-702	1203	V	SHIM (THICK)	TD-2203-R-434	1202
J	SHOE ASSEMBLY	TD-A2B-3222-B-210	1202	W	SHIM (THIN)	TD-2203-P-432	1202
K	SCREW	TD-2X-19	1203	X	SHOE	TD-3222-B-210	1202
L	WASHER	TD-X529	1202	Y	LINING	TD-2240-M-585	1202
M	COVER	TD-1107-C-29	1302	Z	SHOE ASSEMBLY	TD-A27-3222-B-210	1202
					SHIELD	TD-3236-N-690	1203

LEGEND FOR FIGURE 11-7—BRAKES AND DRUM

RA PD 344041A

Figure Number	Official Stockage Number Order and Store by This Number	Part Number		ITEM	Quant. Reqd. per Unit Assy.
		Ordinance	Manufacturer		
Col. 1	Col. 2	Col. 3	Col. 4	Col. 5	Col. 6
11-7	G671-70-01734		TD-X1916	1202—SHOES AND FACINGS (Cont'd) SCREW, flat-head, 5/16-18 x 1-3/16 in. (brake shoe cam wear plate) SHIM, brake shoe cam wear plate, medium SHIM, brake shoe cam wear plate, thick SHIM, brake shoe cam wear plate, thin SHOE, brake SHOE, brake, lower, w/LINING, BOLTS, NUTS and WASHERS, assembly SHOE, brake, upper, w/LINING, BOLTS, NUTS and WASHERS, assembly WASHER, lock, reg., S., 3/8 in. (0.390 I.D. x 0.640 O.D. 1/8 x 3/32 thick) (brake shoe lining bolt) (also in KIT TD-MPS-185)	4
11-7			TD-2203-Q-433		as req.
11-7			TD-2203-R-434		as req.
11-7			TD-2203-P-432		as req.
11-7	G510-03-84923		TD-3222-B-210		4
11-7	G510-03-84922		TD-A28-3222-B-210		2
11-7	H001-15-18009	103321	TD-A27-3222-B-210 TD-X529		2
11-7	G509-01-29085			32	
11-7	G509-01-29094		TD-1225-G-85 TD-1199-F-760	1203—BRAKE SHOE SUPPORT—SPIDER—DUSTSHIELDS BUSHING, brake spider BUSHING, reducing, lubricator fitting, 1/4 to 1/8 pipe thd.	1 4

GROUP 12—BRAKE

Figure Number	Official Stockage Number Order and Store by This Number	Part Number		ITEM	Quant. Reqd. per Unit Assy.
		Ordinance	Manufacturer		
Col. 1	Col. 2	Col. 3	Col. 4	Col. 5	Col. 6
11-7	G671-70-01733		TD-A1898-U-230	1203—BRAKE SHOE SUPPORT—SPIDER—	4
11-7	G509-02-79846		TD-1229-D-108	DUSTSHIELDS (Cont'd) FITTING, lubricator, anchor pin, 1/8 straight (AD-1980)	2
11-7	H013-05-00114		TD-1259-B-28	LOCK, pin, brake shoe anchor	4
	8500-1246-H-60		TD-1246-H-60	PIN, anchor, brake shoe	4
11-7	H001-10-13018		TD-X-1260	PIN, spring, brake shoe return	16
11-7	8500-3236-N-690		TD-X-702	RIVET, spider and adapter	2
11-7	H001-10-13028		TD-3236-N-690	SCREW, locking, brake shoe anchor pin	4
	G102-03-07065	193995	TD-2X-19	SHIELD, dust, brake	12
11-7	G509-03-84371		TD-1229-T-514	SCREW, cap, hex-hd., S., 3/8-16NC-2 x 1/2 in.	12
11-7	H001-15-18008	103320	TD-X3211-Q-953	WASHER, lock, reg., S.	1
			TD-X528	SPIDER, brake, right or left	2
				WASHER, lock, reg., S., 5/16 in. (0.328 I.D. x 0.578 O.D. 1/8 x 1/16 thick) (anchor pin locking screw)	2
11-7	G509-03-89792		TD-2258-A-53	1203A—GUIDE SPRINGS SPRING, brake shoe return	4
12-8	H002-01-00130			1203C—SLACK ADJUSTER This group lists parts for Bendix Westinghouse slack adjusters used on AXLE TD-T-2090-W-X-12 only. See Group 1203C-1 for slack adjusters used on AXLE TD-T-2090-W-X-13.	1
12-8	G121-01-27846		BWE-221620	ADJUSTER, slack, assembly, left	1
12-8	G116-15-96014		BWE-221621	ADJUSTER, slack, assembly, right	2
12-8	G116-15-40210		BWE-201327	BALL, poppet, slack adjuster	1
12-8	H006-02-83566		BWE-230223	BODY, slack adjuster, left	1
12-8	G671-70-02180		BWE-230224	BODY, slack adjuster, right	1
12-8	H006-02-82430		BWE-201225	BUSHING, slack adjuster lever arm	as req.
12-8	G116-17-70086		BWE-212629	GEAR, slack adjuster worm wheel	2
12-8	G116-17-84623		BWE-212631	PLATE, side, slack adjuster	4
12-8	D024-52-38200		BWE-203680	PLUG, pipe, 1/8 in., slack adjuster	2
12-8	G671-70-02179		BWE-201326	PLUG, screw, slack adjuster poppet ball spring retaining	2
			BWE-212357	PLUG, wclsh, slack adjuster adjusting shaft	2
			BWE-212632	RIVET, slack adjuster cover	10
			BWE-212630	SHAFT, adjusting, worm, slack adjuster	2
			BWE-212109	SPRING, poppet ball, slack adjuster	2
			BWE-212628	WORM, slack adjuster adjusting shaft	2

Col. 1	Col. 2	Col. 3	Col. 4	Col. 5	Col. 6
			NOTE: MSP-N-2597 MSP-N-2597-A MSP-15-X-10 MSP-N-1582-A MSP-N-11244 MSP-N-10944A MSP-N-10917 MSP-N-2598 MSP-N-2598A MSP-10918-A MSP-8-X-11 MSP-9-X-135 MSP-N-10887-A MSP-N-11243 MSP-N-10885	1203C-1—SLACK ADJUSTER This group lists parts for Midland Steel slack adjuster used on AXLE TD-T-2090-W-X-13 only. See group 1203C for slack adjusters used on AXLE TD-T-2090-W-X-12. ADJUSTER, slack, assembly, right ADJUSTER, slack, assembly, left BALL, poppet, slack adjuster BUSHING, slack adjuster lever arm BUSHING, slack adjuster worm adjusting shaft FITTING, grease, slack adjuster GEAR, slack adjuster worm wheel HOUSING, slack adjuster, right HOUSING, slack adjuster, left PLATE, side, slack adjuster PLUG, slack adjuster expansion RIVET, slack adjuster cover SHAFT, adjusting, worm, slack adjuster SPRING, slack adjuster poppet ball WORM, slack adjuster adjusting shaft	1 1 4 2 2 2 2 2 1 1 4 2 10 2 4 2
	G509-01-31485 8500-2210-C-1641 8500-1199-R-434 G509-03-82024 G116-18-43027		TD-2210-B-1640 TD-2210-C-1641 TD-1199-R-434 TD-26X4 TD-T-3108 TD-1229-R-122	1203D—BRAKE CAMSHAFT CAMSHAFT, brake, left CAMSHAFT, brake, right COLLAR, brake camshaft SCREW, set, sq-hd., cup-pt., 5/16-18NC-2 x 9/16 in. (brake camshaft collar) WIRE, lock, brake camshaft set screw WASHER, spacer, brake camshaft	1 1 2 2 2 2 4
	C067-06-00095 0850-201271 G160-03-14869 G116-17-14892 0850-212550 H001-15-19010 G116-18-82431		NOTE: BWE-203151 BWE-217750 BWE-201271 BWE-203145 BWE-203575 BWE-217843 BWE-212139 BWE-220001 BWE-212550 BWE-212303 BWE-202985 BWE-201318 BWE-205948	1207B—BRAKE DIAPHRAGM CHAMBERS (REAR) This group lists parts for Bendix-Westinghouse brake chambers used on AXLE TD-T-2090-W-X-12 only. See group 1207B-1 for chambers used on AXLE TD-T-2090-W-X-13. BOLT, hex-head, pressure plate to non-pressure plate CHAMBER, brake, assembly DIAPHRAGM, brake chamber NUT, hex., pressure plate to non-pressure plate NUT, hex., push rod yoke PLATE, non-pressure, brake chamber PLATE, pressure, brake chamber ROD, push, brake chamber diaphragm SPRING, return, brake chamber diaphragm STUD, brake chamber mounting WASHER, lock, brake chamber mounting stud WASHER, lock, pressure plate to non-pressure plate bolt YOKE, brake chamber diaphragm push rod	16 2 2 18 2 2 2 2 2 2 2 2 2 2 2 2 2 16 2

Key	Item	Part No.	Group
A	RIVET	BWE-212632	1203C
B	PLATE	BWE-212631	1203C
C	GEAR	BWE-212629	1203C
D	WORM	BWE-212628	1203C
E	PLUG	BWE-212357	1203C
F	BUSHING	BWE-201225	1203C
G	PLUG	BWE-201326	1203C
H	SPRING	BWE-212109	1203C
I	BALL	BWE-201327	1203C
J	SHAFT	BWE-212630	1203C
K	PLUG	BWE-203680	1203C
L	BODY	BWE-230223 BWE-230224	1203C

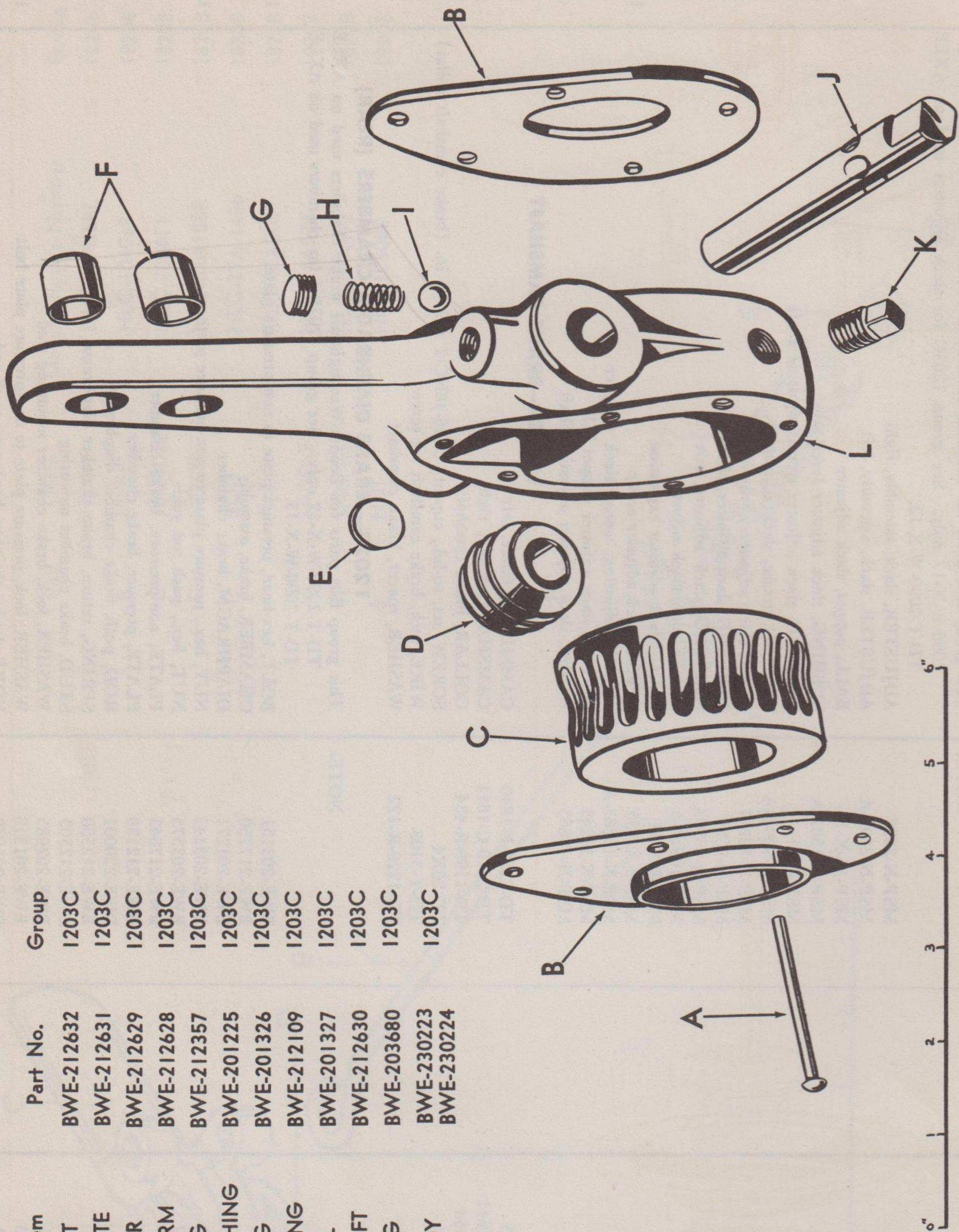
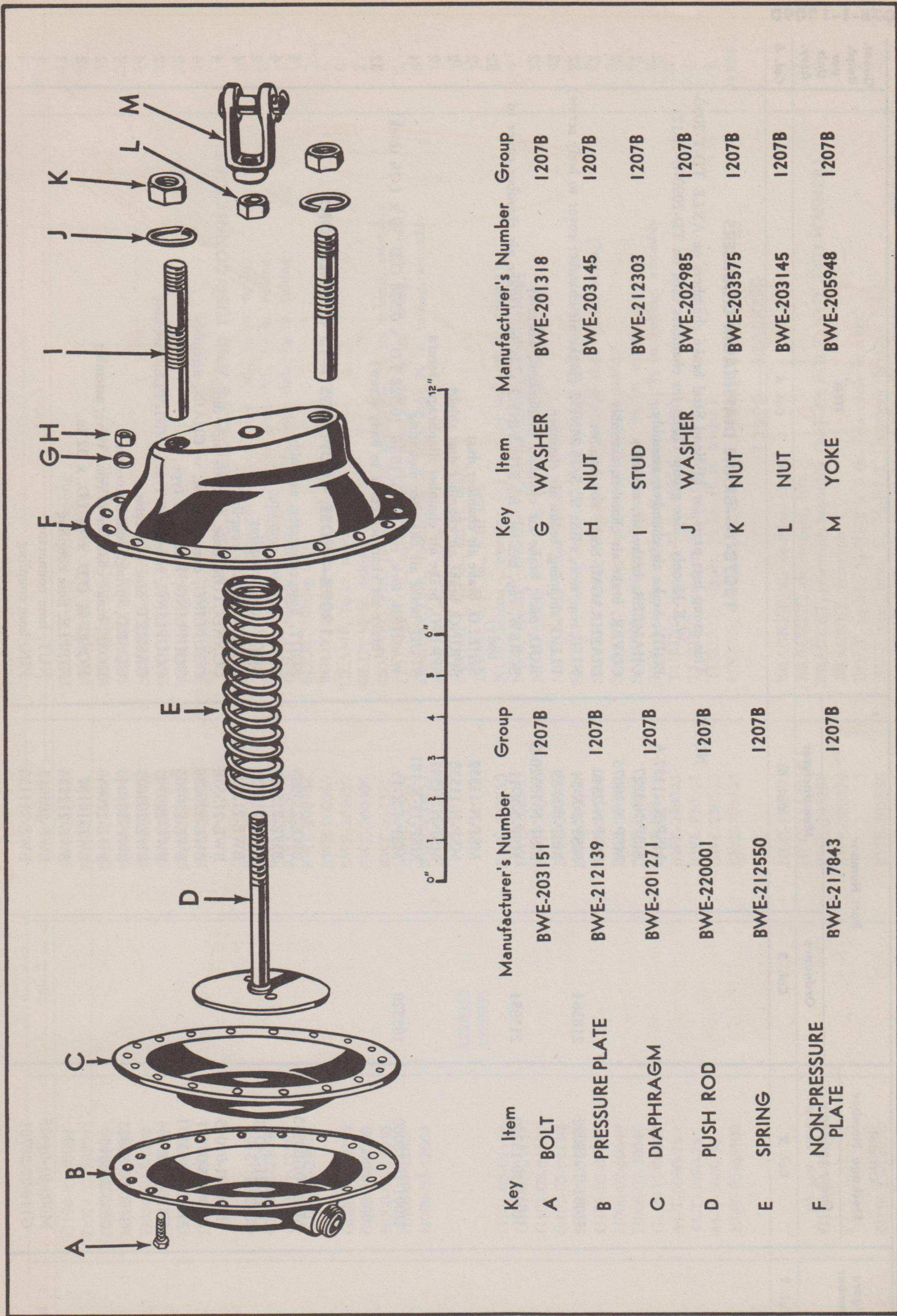


FIGURE 12-8—SLACK ADJUSTER

RA PD 344042



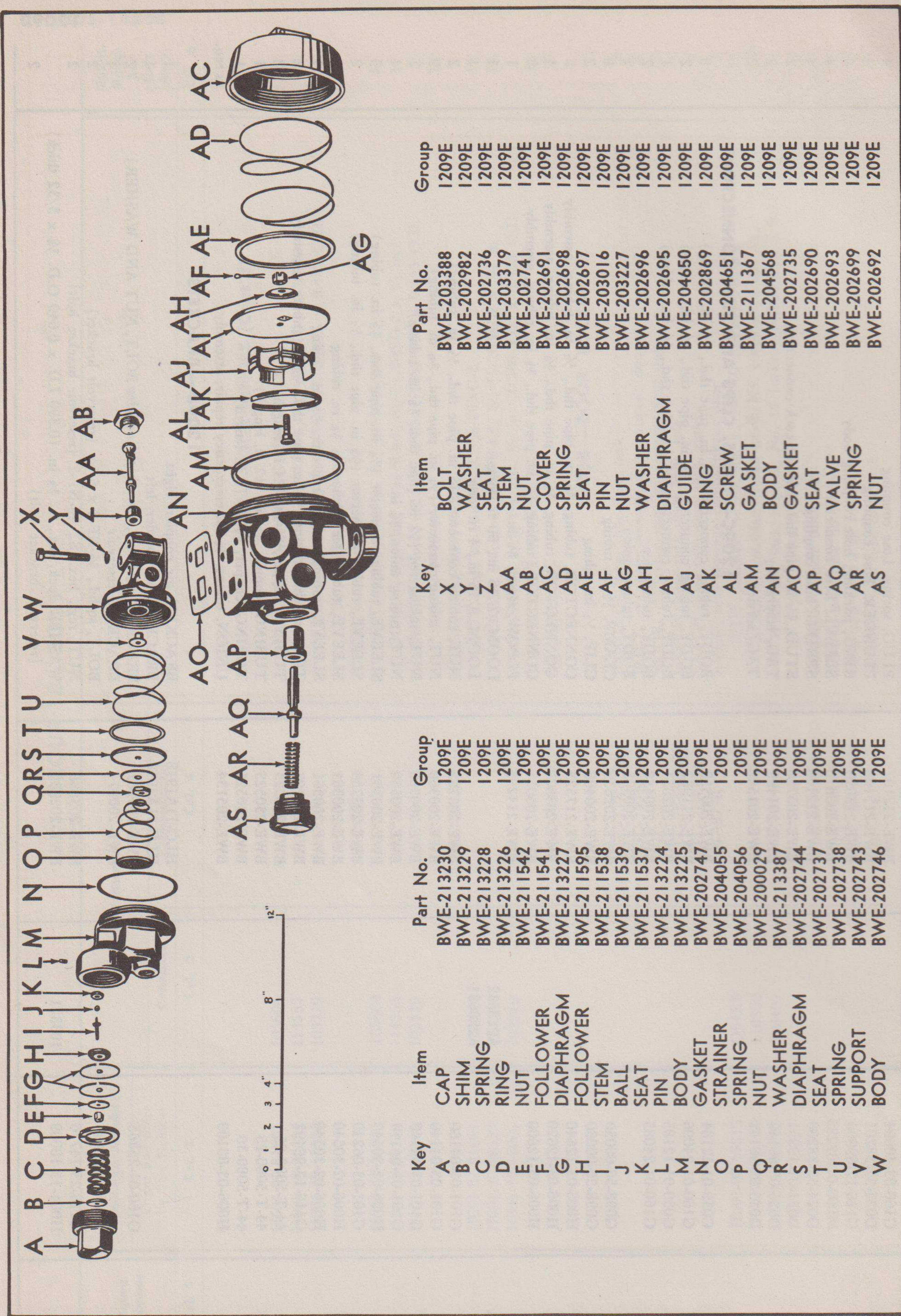
Key	Item	Manufacturer's Number	Group	Key	Item	Manufacturer's Number	Group
A	BOLT	BWE-203151	1207B	G	WASHER	BWE-201318	1207B
B	PRESSURE PLATE	BWE-212139	1207B	H	NUT	BWE-203145	1207B
C	DIAPHRAGM	BWE-201271	1207B	I	STUD	BWE-212303	1207B
D	PUSH ROD	BWE-220001	1207B	J	WASHER	BWE-202985	1207B
E	SPRING	BWE-212550	1207B	K	NUT	BWE-203575	1207B
F	NON-PRESSURE PLATE	BWE-217843	1207B	L	NUT	BWE-203145	1207B
				M	YOKE	BWE-205948	1207B

FIGURE 12-9—BRAKE DIAPHRAGM

GROUP 12—BRAKE

Figure Number	Official Stockage Number Order and Store by This Number	Part Number		ITEM	Quant. Reqd. per Unit Assy.
		Ordinance	Manufacturer		
Col. 1	Col. 2	Col. 3	Col. 4	Col. 5	Col. 6
				<p>1207B-1—BRAKE DIAPHRAGM CHAMBERS</p> <p>This group lists parts for Midland Steel brake chambers on AXLE TD-T-2090-W-X-13 only. See group 1207B for chambers used on TD-2090-W-X-12.</p> <p>BODY, brake air chamber, assembly CHAMBER, brake air, assembly COVER, brake air chamber, assembly DIAPHRAGM, brake air chamber NUT, reg., hex., s-fin., S., 5/16-24NF-2 (brake air chamber cover to body screw) PLUG, shipping, brake air chamber ROD, push, brake air chamber diaphragm, assembly SCREW, cap, hex-hd., S., 5/16-24NF-2 x 7/8 in., (brake air chamber cover to body)</p> <p>SHIELD, brake air chamber dust SPRING, brake air chamber dust shield SPRING, brake air chamber diaphragm return STUD, brake air chamber mounting WASHER, lock, reg., S., 5/16 in. (0.328 I.D. x 0.578 O.D. 1/8 x 1/16 thick) (brake air chamber cover to body screw)</p>	2 2 2 2 32 2 2 32 2 2 2 4 32
				<p>1209B—HOSE, COUPLINGS AND CONNECTIONS</p> <p>BODY, hose connector, assembly BODY, dummy coupling BODY, hose coupling CHAIN, dummy coupling CONNECTOR, hose, 1/4 male pipe thd. COUPLING, dummy, hose, w/CHAIN, assembly COUPLING, hose, lock type COUPLING, hose, lock type, w/NIPPLE, assembly GASKET, hose connector GUARD, spring, hose connector HOSE, brake chamber to relay valve, assembly HOSE, 3/4 O.D. x 3/8 I.D. x 32 in. NIPPLE, hose coupling NUT, hose connector PIN, hose coupling</p>	4 4 2 4 4 4 2 2 4 4 2 2 4 4 2 2 2 4 4
				<p>NOTE:</p> <p>MSP-N-11137-A MSP-N-3227 MSP-N-10675 MSP-N-2340 MSP-2-X-34 MSP-8-X-39 MSP-N-10520-D MSP-3-X-11</p> <p>MSP-N-11332 MSP-N-11335 MSP-N-11331 MSP-14-X-181 MSP-4-X-15</p> <p>218564 215934 103320</p> <p>BWE-215993 BWE-213607 BWE-212953 BWE-212930 BWE-215336 BWE-220636 BWE-220165 BWE-220303 BWE-203603 BWE-201045 BWE-220846 BWE-101M BWE-212324 BWE-203613 BWE-211155</p>	

Col. 1	Col. 2	Col. 3	Col. 4	Col. 5	Col. 6
	G160-03-40694 D024-52-38201 G116-17-69900 M009-01-02285 D024-52-38200 D031-01-19951 D035-03-96140 D035-03-96141		BWE-212107 BWE-212108 BWE-213630 BWE-203610 BWE-212109 BWE-205730 BWE-201499 BWE-201500	PLUG, spring, hose coupling PLUNGER, hose coupling RING, packing, hose coupling body SLEEVE, hose connector SPRING, hose coupling STUD, 1/2 in. pipe thd., cut-out cock connecting TAG, emergency TAG, service	4 4 4 4 4 2 2 2
	C039-01-12184 G160-01-24096 G039-01-12185 G160-01-24085 G098-56-00050 G098-56-00060 H006-03-12640 H006-03-12620 H006-03-12600		BWE-200359 BWE-211982 BWE-202651 BWE-200438 BWE-200365 BWE-202639 BWE-200406 BWE-217525 BWE-205824 BWE-205053 BWE-214253	1209C—TUBES, CLIPS AND TUBE CONNECTORS BODY, tubing connector (1/4 in. pipe thd., 3/8 in. tubing) BODY, tubing connector (3/8 in. pipe thd., 1/2 in. tubing) BODY, tubing connector (3/8 in. pipe thd., 3/8 in. tubing) BODY, tubing tee BODY, tubing union CLAMP, 3/8 in. tubing CLIP, 1/2 in. tubing CONNECTOR, tubing, 3/8 in. pipe thd., 1/2 in. tubing, assembly CONNECTOR, tubing, 3/8 in. pipe thd., 3/8 in. tubing, assembly CONNECTOR, tubing, 1/4 in. pipe thd., 3/8 in. tubing, assembly ELBOW, street, 3/8 in. LOOM, 7/16 in., 60 ft. long LOOM, 9/16 in., 4 ft. long NUT, tubing connector (3/8 in. pipe thd., 1/2 in. tubing) NUT, tubing connector (1/4 in. pipe thd., 3/8 in. tubing) NUT, tubing tee (1/4 in. pipe thd., 3/8 in. tubing) NUT, tubing union, 3/8 in. SLEEVE, tubing connector (1/4 in. pipe thd., 3/8 in. tubing) SLEEVE, tubing connector (3/8 in. pipe thd., 1/2 in. tubing) SLEEVE, tubing tee connector, 3/8 in. tubing SLEEVE, tubing union connector, 3/8 in. tubing TEE, brakeline tubing, 1/4 in. pipe thd., 3/8 in. tubing, assembly TUBING, copper, 3/8 in. (24 ft. length) TUBING, copper, 3/8 in. (12 ft. length) TUBING, copper, 1/2 in. (6 ft. length) UNION, tubing, 3/8 in. emergency repair, assembly	8 2 1 2 2 8 2 2 1 8 1 1 1 2 9 2 4 9 2 2 4 2 2 1 1 as req.
	G101-03-04160 G101-03-04140 G101-03-04140 G101-03-04140 H006-02-30540 G101-03-06240 H006-02-30540 H006-02-30540 G116-17-98492 44-T-5080-25 44-T-5080-25 44-T-5080-30 H006-03-88100	A228632 A228631	BWE-203755 BWE-200360 BWE-200360 BWE-200360 BWE-200361 BWE-203754 BWE-200361 BWE-200361 BWE-205103 BWE-230523 BWE-230523 BWE-230525 BWE-205134	1209D—BRACKETS BRACKET, air coupler, right BRACKET, air coupler, left BRACKET, reservoir, assembly (includes BOLT, NUT AND WASHER) BRACKET, reservoir BOLT, sq-hd., 3/8-NF-2 x 6 in. (reservoir bracket) NUT, reg, hex., S., 3/8-NF-2 (reservoir bracket bolt) WASHER, lock, reg., S., 3/8 in. (0.390 I.D. x 0.640 O.D. 1/8 x 3/32 thick) (reservoir bracket bolt)	1 1 2 4 2 2 2
	G160-01-25865 G116-23-14776 H001-15-18009	103321	HLC-11A1918 HLC-11A1918-1 BWE-205267 BWE-200974 BWE-203888 BWE-202983		1 1 2 4 2 2 2



Key	Item	Part No.	Group
A	CAP	BWE-213230	1209E
B	SHIM	BWE-213229	1209E
C	SPRING	BWE-213228	1209E
D	RING	BWE-213226	1209E
E	NUT	BWE-211542	1209E
F	FOLLOWER	BWE-211541	1209E
G	DIAPHRAGM	BWE-213227	1209E
H	FOLLOWER	BWE-211595	1209E
I	STEM	BWE-211538	1209E
J	BALL	BWE-211539	1209E
K	SEAT	BWE-211537	1209E
L	PIN	BWE-213224	1209E
M	BODY	BWE-213225	1209E
N	GASKET	BWE-202747	1209E
O	STRAINER	BWE-204055	1209E
P	SPRING	BWE-204056	1209E
Q	NUT	BWE-200029	1209E
R	WASHER	BWE-213387	1209E
S	DIAPHRAGM	BWE-202744	1209E
T	SEAT	BWE-202737	1209E
U	SPRING	BWE-202738	1209E
V	SUPPORT	BWE-202743	1209E
W	BODY	BWE-202746	1209E
X	BOLT	BWE-203388	1209E
Y	WASHER	BWE-202982	1209E
Z	SEAT	BWE-202736	1209E
AA	STEM	BWE-203379	1209E
AB	NUT	BWE-202741	1209E
AC	COVER	BWE-202691	1209E
AD	SPRING	BWE-202698	1209E
AE	SEAT	BWE-202697	1209E
AF	PIN	BWE-203016	1209E
AG	NUT	BWE-203227	1209E
AH	WASHER	BWE-202696	1209E
AI	DIAPHRAGM	BWE-202695	1209E
AJ	GUIDE	BWE-204650	1209E
AK	RING	BWE-202869	1209E
AL	SCREW	BWE-204651	1209E
AM	GASKET	BWE-211367	1209E
AN	BODY	BWE-204568	1209E
AO	GASKET	BWE-202735	1209E
AP	SEAT	BWE-202690	1209E
AQ	VALVE	BWE-202693	1209E
AR	SPRING	BWE-202699	1209E
AS	NUT	BWE-202692	1209E

FIGURE 12-10—EMERGENCY RELAY VALVE (BWE-220353)

GROUP 12—BRAKE

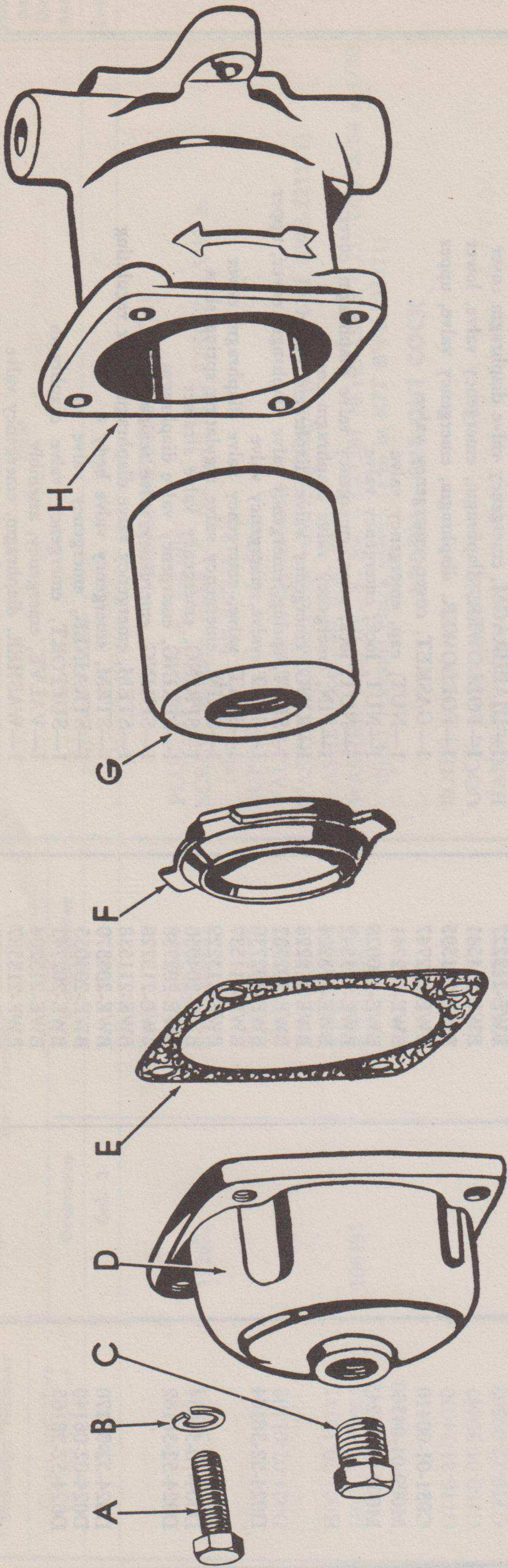
Figure Number	Official Stockage Number Order and Store by This Number	Part Number		ITEM	Quant. Reqd. per Unit Assy.
		Ordinance	Manufacturer		
Col. 1	Col. 2	Col. 3	Col. 4	Col. 5	Col. 6
12-10			BWE-211539	1209E—EMERGENCY RELAY VALVE	1
12-10	G160-01-24097		BWE-213225	BALL, emergency valve seat	1
12-10			BWE-216071	BODY, cover, diaphragm, emergency valve	1
12-10			BWE-202746	BODY, emergency valve, assembly	1
12-10			BWE-204568	BODY, valve, emergency	1
12-10			BWE-203388	BODY, valve, emergency valve	1
12-10	0850-212135		BWE-212135	BOLT, hex., 5/16 in. x 2 1/8 in. (emergency valve body)	4
12-10			BWE-213230	BUSHING, guide, diaphragm, emergency valve	1
			BWE-220304	CAP, pressure regulating, diaphragm cover	1
				COVER, diaphragm, emergency valve, complete	1
				(Includes :	
12-10			BWE-213225	1—BODY, cover diaphragm, emergency valve	
12-10			BWE-213224	1—PIN, emergency valve diaphragm cover	
12-10			BWE-211537	1—SEAT, valve, emergency valve diaphragm cover)	
12-10	M009-01-01910		BWE-202691	COVER, emergency relay valve	1
			BWE-220305	COVER, emergency valve, diaphragm, assembly	1
				(Includes :	
12-10			BWE-221539	1—BALL, emergency valve seat	
12-10			BWE-213225	1—BODY, cover, diaphragm, emergency valve	
12-10			BWE-213230	1—CAP, pressure regulating, diaphragm cover	
12-10			BWE-220304	1—COVER, diaphragm, emergency valve, complete	
12-10			BWE-213227	1—DIAPHRAGM, emergency valve diaphragm cover	
12-10			BWE-211541	1—FOLLOWER, diaphragm, emergency valve, lower	
12-10			BWE-211595	1—FOLLOWER, diaphragm, emergency valve, upper	
12-10			BWE-211542	1—NUT, lock, stem, emergency valve diaphragm cover	
12-10			BWE-213224	1—PIN, emergency valve diaphragm cover	
12-10			BWE-213226	1—RING, emergency valve diaphragm cover	
12-10			BWE-211537	1—SEAT, valve, emergency valve diaphragm cover	
12-10			BWE-213229	1—SHIM, emergency valve regulating spring shim	
12-10			BWE-213228	1—SPRING, emergency valve regulating	
12-10			BWE-211538	1—STEM, emergency valve, diaphragm cover regulating)	
12-10	D024-52-38161		BWE-221135	DIAPHRAGM, assembly, emergency valve (also in KIT 221385)	1
12-10	D024-52-38158		BWE-202744	DIAPHRAGM, emergency valve (also in KIT BWE-221385)	1
12-10			BWE-202695	DIAPHRAGM, emergency relay valve (also in KIT BWE-221385)	1
12-10			BWE-213227	DIAPHRAGM, emergency valve diaphragm cover	1
12-10			BWE-211541	FOLLOWER, diaphragm, emergency valve, lower	1

GROUP 12—BRAKE

Figure Number	Official Stockage Number Order and Store by This Number	Part Number		ITEM	Quant. Reqd. per Unit Assy.
		Ordinance	Manufacturer		
Col. 1	Col. 2	Col. 3	Col. 4	Col. 5	Col. 6
12-10	D024-52-38166		BWE-211595	<p>1209E—RELAY VALVE (Cont'd)</p> <p>FOLLOWER, diaphragm, emergency valve, upper GASKET, emergency valve to emergency relay valve GASKET, cover, emergency relay valve (also in KIT BWE-221385) GASKET, cover, emergency valve GUIDE, diaphragm, emergency valve KIT, repair, relay valve (Consists of: ◆ 1—DIAPHRAGM ◆ 1—DIAPHRAGM, emergency valve ◆ 1—DIAPHRAGM, assembly emergency valve ◆ 1—GASKET, cover ◆ 1—NUT, cap, emergency relay valve ◆ 1—RING, guide ◆ 1—SPRING, intake valve, emergency relay valve ◆ 1—SPRING, emergency valve strainer ◆ 1—SPRING, emergency valve diaphragm ◆ 1—STEM, emergency valve body ◆ 1—VALVE, intake) NUT, cap, emergency relay valve (also in KIT BWE-221385) NUT, cap, emergency valve NUT, diaphragm, emergency relay valve NUT, lock, emergency valve NUT, lock, stem, emergency valve diaphragm cover PIN, cotter, split, S., (Type B), 1/16 x 1/2 (emergency relay valve nut) PIN, emergency valve diaphragm cover RING, emergency valve diaphragm cover RING, guide, emergency relay valve diaphragm (also in KIT BWE-221385) SCREW, diaphragm, emergency relay valve SEAT, spring, emergency relay valve SEAT, spring emergency valve diaphragm cover, upper SEAT, valve, emergency valve SEAT, valve, emergency valve diaphragm cover SEAT, valve, emergency relay valve SHIM, emergency valve regulating spring shim SPRING, emergency relay valve diaphragm</p>	1
12-10	D024-52-38176		BWE-202735		1
12-10	C031-01-00410		BWE-211367		1
12-10	G024-52-38174		BWE-202747		1
12-10	0850-221385		BWE-204650		1
			BWE-221385		
	D024-52-38158		BWE-202695		
	D024-52-38161		BWE-202744		
	D024-52-38176		BWE-221135		
	M009-01-04350		BWE-211367		
	D024-52-38169		BWE-202692		
	D024-52-38167		BWE-202869		
	D004-70-34034		BWE-202699		
	D024-52-38162		BWE-204056		
	D024-02-06140		BWE-202738		
	D024-52-38179		BWE-203379		
	M009-01-04350		BWE-202693		
	M009-01-04360		BWE-202692		
	G116-17-14845		BWE-202741		
	M009-01-04245		BWE-203227		
	H001-08-11025	103361	BWE-200029		
	D024-52-38183		BWE-211542		
	G116-17-82011		BWE-203016		
	D024-52-38169		BWE-213224		
	D024-52-38164		BWE-213226		
			BWE-202869		
			BWE-204651		
			BWE-202697		
			BWE-202737		
			BWE-202736		
			BWE-211537		
			BWE-202690		
			BWE-213229		
			BWE-202698		

◆ Also listed separately

Col. 1	Col. 2	Col. 3	Col. 4	Col. 5	Col. 6
12-10	D024-52-38167		BWE-202699	SPRING, emergency relay valve intake valve (also in KIT BWE-221385)	1
12-10	D004-70-34034		BWE-204056	SPRING, emergency valve strainer (also in KIT BWE-221385)	1
12-10	D024-52-38162		BWE-202738	SPRING, emergency valve diaphragm (also in KIT BWE-221385)	1
12-10			BWE-213228	SPRING, emergency valve regulating	1
12-10			BWE-211538	STEM, emergency valve diaphragm cover regulating	1
12-10	D024-52-38170		BWE-203379	STEM, emergency valve body (also in KIT BWE-221385)	1
12-10	D024-02-06140		BWE-204055	STRAINER, emergency valve air	1
12-10	D024-52-38165		BWE-202743	SUPPORT, emergency valve diaphragm	1
12-10			BWE-215204	VALVE, emergency, assembly	1
12-10			BWE-202746	(Includes: 1—BODY, valve, emergency	1
12-10	D024-52-38164		BWE-202736	1—SEAT, valve, emergency valve)	1
12-10	0850-220353		BWE-220353	VALVE, relay, emergency, assembly (includes valve BWE-220829)	1
12-10			BWE-220829	VALVE, emergency valve, assembly	1
12-10			BWE-213225	(Includes: 1—BALL, emergency valve seat	
12-10			BWE-213225	1—BODY, cover, diaphragm, emergency valve	
12-10			BWE-202746	1—BODY, valve, emergency	
12-10			BWE-203388	4—BOLT, hex., 5/16 in. x 2 1/8 in. emergency valve body	
12-10			BWE-213230	1—CAP, pressure regulating, diaphragm cover	
12-10			BWE-220304	1—COVER, diaphragm, emergency valve, complete	
12-10			BWE-220305	1—COVER, emergency valve, diaphragm, assembly	
12-10	D024-52-38161		BWE-202744	1—DIAPHRAGM, emergency valve	
12-10			BWE-213227	1—DIAPHRAGM, emergency valve diaphragm cover	
12-10			BWE-211541	1—FOLLOWER, diaphragm, emergency valve, lower	
12-10			BWE-211595	1—FOLLOWER, diaphragm, emergency valve, upper	
12-10			BWE-202747	1—GASKET, cover, emergency valve	
12-10	C031-01-00410		BWE-202741	1—NUT, cap, emergency valve	
12-10	M009-01-04360		BWE-200029	1—NUT, lock, emergency valve	
12-10	M009-01-04245		BWE-211542	1—NUT, lock, stem, emergency valve diaphragm cover	
12-10			BWE-213224	1—PIN, emergency valve diaphragm cover	
12-10			BWE-213226	1—RING, emergency valve diaphragm cover	
12-10			BWE-202737	1—SEAT, spring, emergency valve diaphragm cover, upper	
12-10			BWE-202736	1—SEAT, valve, emergency valve	
12-10	D024-52-38164		BWE-211537	1—SEAT, valve, emergency valve diaphragm cover	
12-10			BWE-213229	1—SHIM, emergency valve regulating spring shim	
12-10			BWE-204056	1—SPRING, emergency valve strainer	
12-10	D004-70-34034		BWE-202738	1—SPRING, emergency valve diaphragm	
12-10	D024-52-38162		BWE-213228	1—SPRING, emergency valve regulating	
12-10			BWE-211538	1—STEM, emergency valve diaphragm cover regulating	
12-10			BWE-203379	1—STEM, emergency valve body	
12-10	D024-52-38170		BWE-204055	1—STRAINER, emergency valve air	
12-10	D024-02-06140		BWE-202743	1—SUPPORT, emergency valve diaphragm	
12-10	D024-52-38165		BWE-215204	1—VALVE, emergency, assembly	
12-10			BWE-213387	1—WASHER, diaphragm, emergency valve	
12-10	H001-15-16008	108579	BWE-202982	1—WASHER, lock, hv., S., 5/16 in. (0.328 I.D. x 0.578 O.D. 1/8 x 3/32 thick)	1
12-10	D024-52-38179		BWE-202693	VALVE, intake, emergency relay valve (also in KIT BWE-221385)	1
12-10	D024-52-38159		BWE-202696	WASHER, diaphragm, emergency relay valve	1



Key	Item	Part No.	Group
A	BOLT	BWE-203788	1209M
B	LOCK WASHER	BWE-203574	1209M
C	DRAIN PLUG	BWE-230111	1209M
D	COVER	BWE-230108	1209M
E	GASKET	BWE-230109	1209M
F	STRAINER SUPPORT	BWE-214171	1209M
G	FILTER ELEMENT	BWE-230109	1209M
H	BODY	BWE-230107	1209M

FIGURE 12-11—FILTER

GROUP 12—BRAKE

Figure Number	Official Stockage Number Order and Store by This Number	Part Number		ITEM	Quant. Reqd. per Unit Assy.
		Ordinance	Manufacturer		
Col. 1	Col. 2	Col. 3	Col. 4	Col. 5	Col. 6
12-10 12-10	H001-15-16008	108579	BWE-213387 BWE-202982	1209E—EMERGENCY RELAY VALVE (Cont'd) WASHER, diaphragm, emergency valve WASHER, lock, hv., S., 5/16 in. (0.328 I.D. x 0.578 O.D. 1/8 x 3/32 thick)	1 1
	H006-01-00805		BWE-203274 BWE-215310 BWE-203275 BWE-212641 BWE-203098 BWE-215660 BWE-203277 BWE-203276 BWE-203278	1209J—RESERVOIR TANK BODY, drain cock COCK, drain, reservoir, 1/4 pipe thd., assembly KEY, drain cock PIN, cotter, drain cock PLUG, pipe, 3/8 pipe thread, air reservoir RESERVOIR, air brake SPRING, drain cock WASHER, lock, drain cock, large WASHER, drain cock, small	1 1 1 1 2 1 1 1 1
12-11 12-11 12-11	D024-52-38212 D024-02-01881		BWE-214231 BWE-230107 BWE-203788 BWE-230108 BWE-214232 BWE-221053 BWE-221474 BWE-230109 BWE-221378	1209M—FILTERS AND EXHAUST CHECK VALVE BODY, exhaust check valve BODY, type E air filter BOLT, hex-hd., 5/16 in., air filter cover COVER, air filter body DIAPHRAGM, exhaust check valve (also in KIT BWE-221371) ELEMENT, air filter (also in KIT BWE-221371) FILTER, air, type E, assembly GASKET, cover, air filter KIT, repair, air filter, type E (Consists of: 1—GASKET, body 2—GASKET, flange ◆ 1—ELEMENT, filter)	1 1 4 1 1 1 1 1 1
12-11	0850-221378		BWE-214173 BWE-214174 BWE-221053 BWE-221371	KIT, repair, exhaust check valve (Consists of: ◆ 1—DIAPHRAGM ◆ 1—SCREW, machine, rd-hd., S., No. 6 (0.138) 32NC-2 x 5/16 in. ◆ 1—WASHER, diaphragm ◆ 1—WASHER, lock, reg., S., No. 6 (0.138) (0.143 I.D. x 0.237 O.D. 3/64 x 1/32 thick)	1
	H001-01-30064 H001-15-18003	112871 106495	BWE-214232 BWE-214235 BWE-214233 BWE-214234	◆ Also listed separately	

GROUP 12—BRAKE

Figure Number	Official Stockage Number Order and Store by This Number	Part Number		ITEM	Quant. Reqd. per Unit Assy.
		Ordinance	Manufacturer		
Col. 1	Col. 2	Col. 3	Col. 4	Col. 5	Col. 6
12-11	H001-10-30064	112871	BWE-230111 BWE-214235	1209M—FILTER (Cont'd) PLUG, drain, 1/4 in., air filter SCREW, machine, rd-hd., S., No. 6 (0.138) 32NC-2 x 5/16 in. (also in KIT BWE-221371)	1
12-11	D024-02-01882		BWE-214171 BWE-221087 BWE-214233 BWE-203574 BWE-214234	SUPPORT, strainer, air filter VALVE, exhaust check, assembly WASHER, exhaust check valve diaphragm (also in KIT BWE-221371) WASHER, lock, air filter body WASHER, lock, reg., S., No. 6 (0.138) (0.143 I.D. x 0.237 O.D. 3/64 x 1/32 thick) (exhaust check valve) (also in KIT BWE-221371)	1 1 1 1 1 4
12-11	H001-70-18711 H001-15-18003	106495		1209N—CUT-OUT COCK BODY, cut-out cock COCK, cut-out, assembly HANDLE, cut-out cock KEY, cut-out cock NUT, cap, cut-out cock PIN, cut-out cock handle SPRING, cut-out cock VALVE, shut-off, cut-out cock	1
10-6	H012-61-28640		BW-44460D1	GROUP 13—WHEELS, HUBS AND DRUM 1301—WHEEL ASSEMBLY WHEEL, 20 x 8, w/RING, assembly	4
10-6	H012-62-12620	706783	TIM-5557 TIM-5520	1301A—BEARINGS CONE AND ROLLER, taper roller bearing, wheel hub, inner and outer CUP, taper roller bearing, wheel hub, inner and outer	4 4
10-6	8500-5X139		TD-5-X-139	1301B—SEALS FELT, oil seal wheel bearing	2
10-6	8500-1205-M-117		TD-1205-M-117	RETAINER, wheel bearing, inner, felt	2
10-6	8500-1205-L-116		TD-1205-L-116	RETAINER, wheel bearing, outer, felt	2
10-6	8500-1229-W-283		TD-1229-W-283	WASHER, spacing hub	2
10-6	8500-3262-E-31		TD-3262-E31	1302—HUBS AND DRUMS CAP, hub	2
10-6	H001-10-13071	BCAX1ED	TD-2X-43	SCREW, cap, hex-hd., S., 1/2-13NC-2 x 1 1/4 in.	12

Col. 1	Col. 2	Col. 3	Col. 4	Col. 5	Col. 6
10-6	H001-15-18011	103323	TD-X-531	WASHER, lock, reg, S., 1/2 in. (0.515 I.D. x 0.859 O. D. 11/64 x 1/8 thick)	12
11-7	H001-10-13028	193995	TD-1107-C-29	COVER, inspection hole	2
11-7	H001-15-16009	108580	TD-2X-19	SCREW, cap, hex-hd., S., 3/8-16NC-2 x 1/2 in.	2
11-7	8500-3219-D-1460		TD-X-529	WASHER, lock, hv., S., 3/8 in. (0.390 I.D. x 0.640 O.D. 1/8 x 1/8 thick)	2
10-6	8500-2208-A-105		TD-3219-D-1460	DRUM, brake	2
	8500-A333-W-179		TD-2208-A-105	GASKET, hub cap	2
11-7	8500-3280-D-30		TD-A-333-W-179	HUB AND CUP, w/STUDS, assembly, right and left	1
			TD-B41-333-W-179	HUB AND CUP, w/STUDS, assembly, left	1
			TD-B40-333-W-179	HUB AND CUP, w/STUDS, assembly, right	1
			TD-B43-333-W-179	HUB AND DRUM, assembly, left	1
			TD-B42-333-W-179	HUB AND DRUM, assembly, right	1
			TD-3280-D-30	SLINGER, oil	2
10-6	D024-02-03537		TD-1229-E-265	1302A—WHEEL STUDS AND NUTS	
10-6	D024-02-03538		TD-1199-M-1053	NUT, drum stud	20
10-6	D024-02-03536		TD-1199-N-1054	NUT, wheel inner, left (BW-10709)	10
10-6	D024-02-03535		TD-1199-K-1051	NUT, wheel stud, inner, right (BW-10708)	10
	H001-41-67800		TD-1199-L-1052	NUT, wheel stud, outer, left (BW-37892)	10
	G509-03-91513		TD-13X-9	NUT, wheel stud, outer, right (BW-37891)	20
	G509-03-91514		TD-4X-389	NUT, drum stud	4
10-6			TD-20X27	STUD, bracket	10
			TD-20X28	STUD, wheel hub, left (BW-12676)	10
				STUD, wheel hub, right (BW-12675)	10
10-3	4180-11C1935		HLC-11C1935	GROUP 15—FRAME AND BRACKETS	
	H001-09-24364	104133	HLC-104133	1500—FRAME AND BRACKETS	
	H001-01-24365	108685		HANGER, rear spring, front left	1
	4180-11C1934		HLC-11C1934	RIVET, steel, b-hd., 1/2 in. dia. x 1 3/4 in.	8
	H001-09-24364	104133	HLC-104133	RIVET, steel, b-hd., 1/2 in. dia. x 2 in.	1
	H001-01-24365	108685	HLC-104134	HANGER, rear spring, front right	1
	4180-11C1910		HLC-11C1910	RIVET, steel, b-hd., 1/2 in. dia. x 1 3/4 in.	8
10-3	H001-09-24364	104133	HLC-104133	RIVET, steel, b-hd., 1/2 in. dia. x 2 in.	1
	4180-11C1909		HLC-11C1909	HANGER, rear spring, rear left	1
	H001-09-24364	104133	HLC-104133	RIVET, steel, b-hd., 1/2 in. dia. x 1 3/4 in.	9
				HANGER, rear spring, rear right	1
				RIVET, steel, b-hd., 1/2 in. dia. x 1 3/4 in.	9
15-5	H001-08-11105	103426	ATE-T-92-A	1502—PINTLE HOOK	
15-5	H001-08-11099	103420		CHAIN, pintle, assembly	1
				(Includes:	
				1—CHAIN, pintle	
				1—HOOK, pintle chain	
				1—PIN, cotter, split, S., (Type B), 1/4 x 3	1
				1—PIN, cotter, split, S., (Type B), 1/4 x 1 1/2	1
				HOOK, pintle	1
				HOOK, pintle, assembly	1

GROUP 15—FRAME AND BRACKETS

Figure Number	Official Stockage Number Order and Store by This Number	Part Number		ITEM	Quant. Reqd. per Unit Assy.
		Ordinance	Manufacturer		
Col. 1	Col. 2	Col. 3	Col. 4	Col. 5	Col. 6
15-5	H001-10-13232	215955	ATE-T-103-2	1502—PINTLE HOOK (Cont'd) LATCH, pintle	1
15-5	H001-15-18008	103320	HLC-103320	SCREW, cap, hex-hd., S., 5/16-24NF-2 x 1 1/4 in.	1
15-5			ATE-T-102-2	WASHER, lock, reg., S., 5/16 in. (0.328 I.D. x 0.578 O.D. 1/8 x 1/6 thick)	1
15-5			ATE-T-109	LOCK, pintle	1
15-5			ATE-T-111	BOLT, lock	1
15-5	H001-08-11056	103389	HLC-103389	NUT, pintle lock bolt	1
15-5			ATE-T-59	PIN, cotter, split, S., (Type B), 1/8 x 2	1
15-5	H001-08-11082	103415	HLC-103415	NUT, pintle hook sleeve	1
15-5			ATE-T-107	PIN, cotter, split, S., (Type B), 3/16 x 3 (pintle hook sleeve nut)	1
15-5			ATE-T-104	PIN, pintle lock latch	1
15-5			ATE-T-105	SLEEVE, pintle	2
15-5			ATE-T-106	SPRING, pintle	1
15-5			ATE-T-108	SPRING, pintle	1
15-5				WASHER, pintle sleeve	1
			HLC-A58C789	1508—LANDING GEAR	2
			HLC-W-129	LEG, landing gear, assembly	
				PIN AND LOCK, assembly	
				GROUP 16—SPRING AND SHOCK ABSORBER	
				1601A—REAR SPRINGS	
	G678-70-09305		MAR-48-985	BOLT, spring center	2
	G678-70-35112		MAR-X-2-290	BOLT, spring rebound clip, w/NUT, assembly	8
			HLC-176096	BOLT, hex., 1/2-20NF-2 x 5 1/2 in. (spring rebound)	2
	G678-70-09308		MAR-33-242	CLIP, rebound, bolt type main spring, small	4
	G678-70-09302		MAR-33-244	CLIP, rebound, clinch type, auxiliary spring	4
	G678-70-35110		MAR-33-243	CLIP, rebound, bolt type, main spring, large	4
	G678-70-35114		MAR-19B401-1A	LEAF, No. 1, auxiliary spring	2
	G678-70-09306		MAR-19B401-1M	LEAF, No. 1, main spring	2
	G678-70-35115		MAR-19B401-2A	LEAF, No. 2, auxiliary spring	2
	G678-70-35108		MAR-19B401-2	LEAF, No. 2, main spring	2
			MAR-19B401-3A	LEAF, No. 3, auxiliary spring	2
			MAR-19B401-3	LEAF, No. 3, main spring	2
			MAR-19B401-4	LEAF, No. 4, main spring	2
			MAR-19B401-5	LEAF, No. 5, main spring	2
			MAR-19B401-6	LEAF, No. 6, main spring	2

Col. 1	Col. 2	Col. 3	Col. 4	Col. 5	Col. 6
10-3	H001-41-71680	117051	MAR-19B401-7	LEAF, No. 7, main spring	2
10-3	G678-70-35105		MAR-19B401-8	LEAF, No. 8, main spring	2
			HLC-117051	NUT, hex., stud, 1/2-20NF-2	2
			MAR-34-2871	PLATE, spring spacer (between main and auxiliary springs)	4
			MAR-19B401	SPRING, assembly	2
				(Consists of:	
			MAR-19B401-A	2—SPRING, auxiliary, assembly (3 leaves w/2 SPACERS)	2
			MAR-19B401M	2—SPRING, main, assembly (8 leaves)	2
			MAR-19B401-A	SPRING, auxiliary, assembly (3 leaves w/2 SPACERS)	8
			MAR-19B401M	SPRING, main, assembly (8 leaves)	2
			MAR-34-487	TUBE, rebound clip spacer	
10-3	H001-15-18011	103323	HLC-103323	WASHER, lock, reg., S., 1/2 in. (0.515 I.D. x 0.859 O.D. 11/64 x 1/8 thick)	2
				1602—SPRING SHACKLES AND ATTACHING PARTS	
10-3	6678-70-35119		HLC-36B128	CLAMP, lower spring	2
10-3	6678-70-35120		HLC-141B15	CLAMP, upper spring	2
10-3	4180-170558		HLC-170558	NUT, high hex., 3/4-16, U-bolt	8
10-3	H001-07-16028	219753		NUT, jam, hex., s-fin., S., 3/4-16NF-2	8
10-3			HLC-103C73	SEAT, spring	2
			HLC-15A665	SPACER, rear spring bracket	2
10-3	G678-70-35118		HLC-78A510	U-BOLT, 3/8-16NF x 13 in. 2/2-1/2 in. RADIUS BEND (spring clamping)	4
10-3	4180-78A510		HLC-55A316	WASHER, retainer, spring bushing	8
10-3	G678-70-35121			1604—RADIUS RODS	
				BOLT, radius rod, front and rear	4
10-3	G678-70-35125		HLC-A47A215	BUSHING, rubber, radius rod	8
10-3	G678-70-35126		HLC-9A592	NUT, castle, alloy-S., 1-14NF-2	4
10-3	H001-07-14010	218473		PIN, cotter, split, S., 1/8 in. x 1 3/4 in.	4
10-3	H001-08-11055	103388	HLC-103388	ROD, radius, 16-5/16 in. center to center	2
10-3	G678-70-35124		HLC-52A439	STUD, radius rod	4
				GROUP 18—BODY	
				1805—DOOR ASSEMBLIES, DOOR HINGES	
				DOOR, hose tube	2
			HLC-A153B91	DOOR, assembly, (inner left)	1
			HLC-A153C87	DOOR, assembly, (inner right)	1
			HLC-A153C88	DOOR, assembly, (outer left)	1
			HLC-A153C89	DOOR, assembly, (outer right)	1
			HLC-A153C90		
				HINGE, inner door, left	1
			HLC-5B1829	NUT, reg, sq., unfin., S., 1/4-20NC-2	9
				SCREW, machine, oval-fil-hd., S., 1/4-20NC-2 x 1/2 in.	9
				WASHER, lock, reg., S., 1/4 in. (0.265 I.D. x 0.453 O.D. 3/32 x 1/16 thick)	9
				HINGE, inner door, right	1
			HLC-5B1830		

GROUP 18—BODY

Figure Number	Official Stockage Number Order and Store by This Number	Part Number		ITEM	Quant. Reqd. per Unit Assy.
		Ordinance	Manufacturer		
Col. 1	Col. 2	Col. 3	Col. 4	Col. 5	Col. 6
				1805—DOOR HINGES (Cont'd)	
	H001-07-21001	105604	HLC-5B1831	NUT, reg., sq, unfin., S., 1/4-20NC-2	9
	H001-10-26124	114353		SCREW, machine, oval-fil-hd., S., 1/4-20NC-2 x 1/2 in.	9
	H001-15-18007	103319		WASHER, lock, reg., S., 1/4 in. (0.265 I.D. x 0.453 O.D. x 3/32 x 1/16 thick)	9
	H001-07-21001	105604		HINGE, outer door, left	1
	H001-10-26124	114353		NUT, reg., sq, unfin., S., 1/4-20NC-2	14
	H001-15-18007	103319		SCREW, machine, oval-fil-hd., S., 1/4-20NC-2 x 1/2 in.	14
				WASHER, lock, reg., S., 1/4 in. (0.265 I.D. x 0.453 O.D. x 3/32 x 1/16 thick)	14
	H001-07-21001	105604	HLC-5B1832	HINGE, outer door, right	1
	H001-10-26124	114353		NUT, reg., sq, unfin., S., 1/4-20NC-2	14
	H001-15-18007	103319		SCREW, machine, oval-fil-hd., S., 1/4-20NC-2 x 1/2 in.	14
				WASHER, lock, reg., S., 1/4 in. (0.265 I.D. x 0.453 O.D. x 3/32 x 1/16 thick)	14
			HLC-124A137	STOP, door	2
				1805B—DOOR LOCKS	
			HLC-11A2780	BRACKET, hose tube door lock	2
			PHC-143K	BOLT, eye, rear stowage compartment door	2
			PHC-72	HOOK, "S," rear stowage compartment door	2
			HLC-76A99LH	LATCH, hose tube door lock, left	1
			HLC-76A100	LATCH, hose tube door lock, right	1
			EB-4877R	LOCK, rear stowage compartment door	2
	H001-07-16815	Q64EB		NUT, machine, screw, sq, S., No. 10 (0.190)-24NC-2	16
	H001-10-30100	110500		SCREW, machine, round head, No. 10-24 x 1/2 in.	16
	H001-15-18005	106497		WASHER, lock, reg., S., No. 10 (0.190) (0.200 I.D. x 0.325 O.D. x 1/16 x 3/64 thick)	16
			HLC-0-141LH	LOCK, hose tube door, left	1
			HLC-0142RH	LOCK, hose tube door, right	1
			HLC-48A1073	PIN, hose tube door lock	2
			HLC-19A594	SPRING, hose tube door lock	2
			HLC-70B199	1805D—DOOR HANDLES	
				HANDLE, rear stowage compartment doors	2

Col. 1	Col. 2	Col. 3	Col. 4	Col. 5	Col. 6
				1817—TOOL BOX	
			HLC-A151B62 HLC-A12B1658	BOX, tool, assembly COVER, tool box, assembly	1 1
			HLC-EC-1 CVT-821-B	1819—MISCELLANEOUS BLOCK, chock, wheel FASTENER, chock block	2 2
			HLC-5C1690A HLC-47A214 HLC-11A2439 HLC-96A205 HLC-96A204 HLC-A96A135 HLC-A36B100 HLC-33A264 HLC-40A775 HLC-12C1635A HLC-12D-1125A HLC-G349-2 HLC-12B1109 HLC-56A204 HLC-56A203LH HLC-56A203RH HLC-22-978 HLC-22A928 HLC-22B955 HLC-70B415 HLC-70B411 HLC-53A188L HLC-53A-188R HLC-GG-124 HLC-A76A73 HLC-103088	1820B—MANHOLE COVER, VENTS AND CAPACITY INDICATOR ARM, manhole hinge cover BOLT, hex-hd., s-fin., alloy-S., 3/8-24NF-2 x 3 in. (for capacity indicator) BRACKET, angle, capacity indicator CAM, manhole latch, upper CAM, manhole latch, lower CAM, manhole cover latch, assembly CLAMP, manhole cover, assembly CLIP, spring, manhole cover COLLAR, spring seat, manhole cover COVER, fill, 10 in., manhole cover COVER, manhole, stripped COVER, manhole, fuel tank, assembly COVER, vent valve, manhole cover FINGER, latch, manhole cover, center FINGER, latch, manhole cover, left FINGER, latch, manhole cover, right GASKET, manhole cover GASKET, vent valve, manhole cover GASKET, fill cover, manhole cover HANDLE, latch, manhole cover HANDLE, manhole clamp HOOK, manhole clamp, left HOOK, manhole clamp, right INDICATOR, capacity, fuel tank, assembly LATCH, manhole cover, assembly NUT, machine screw, hex., S., No. 10-32NF-2 (clamp rod) NUT, castle, S., 3/8-24NF-2 (capacity indicator) NUT, castle, S., 3/8-24NF-2 NUT, jam, hex., s-fin., S., 1/4-20NC-2 (manhole hinge cover arm screw) PIN, manhole clamp PIN, capacity indicator PIN, manhole latch	2 2 2 4 2 2 8 2 2 2 2 2 4 4 2 2 2 4 4 2 2 2 4 2 4 8 8 8 2 2 16 2 4 2 8 2 4
		BAOX1CM			
18-12	4180-5C1690A H001-01-16228				
18-12	4180-A96A135 4180-A36B100				
18-12	4180-12C1635A				
18-12	4180-G349-2 4180-12B1109				
18-12	4180-22-978 4180-22A928 4180-22B955 4180-70B415				
18-13	4180-A76A73 H001-41-35680 H001-07-13024 H001-07-13024 H001-07-16001	103088 103045 103045 218436			
18-12			HLC-48A806 HLC-48A785 HLC-W48A226		

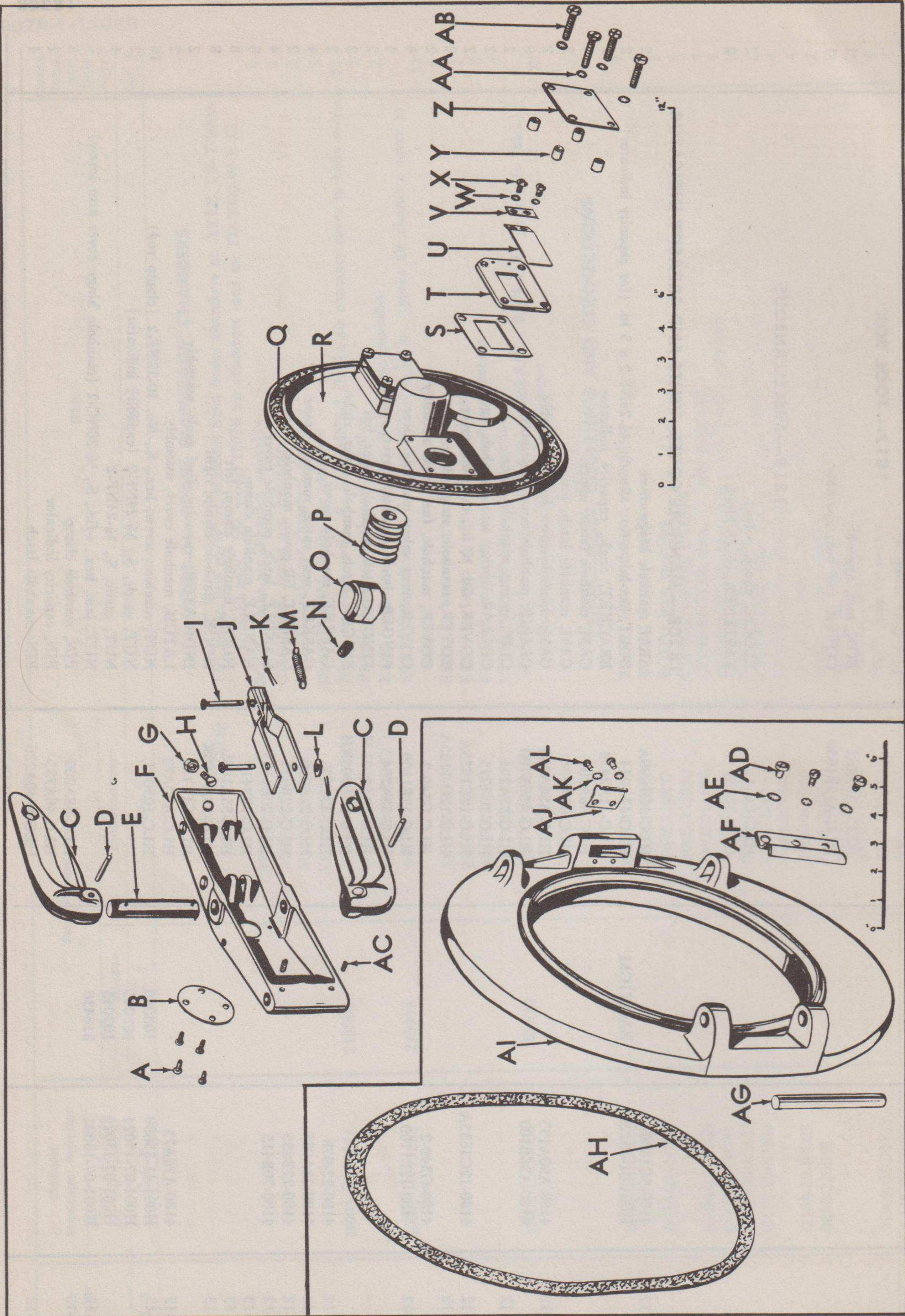


FIGURE 18-12—MANHOLE COVER

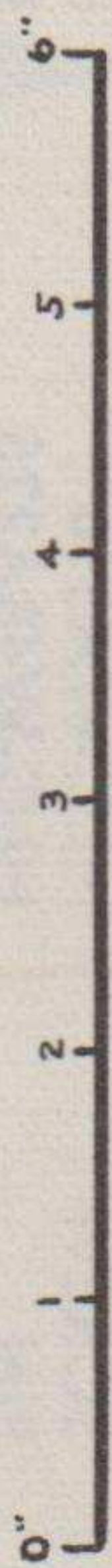
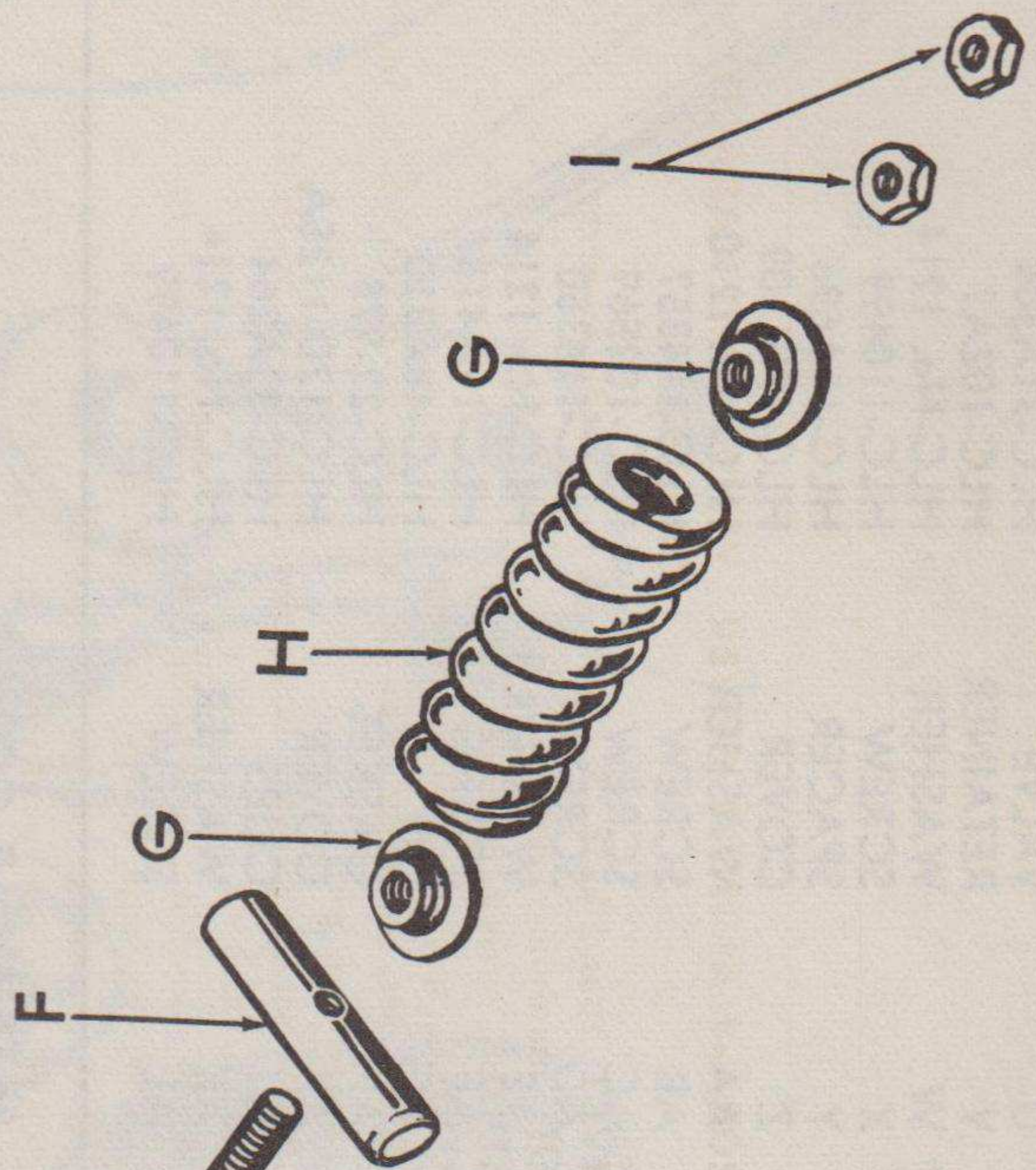
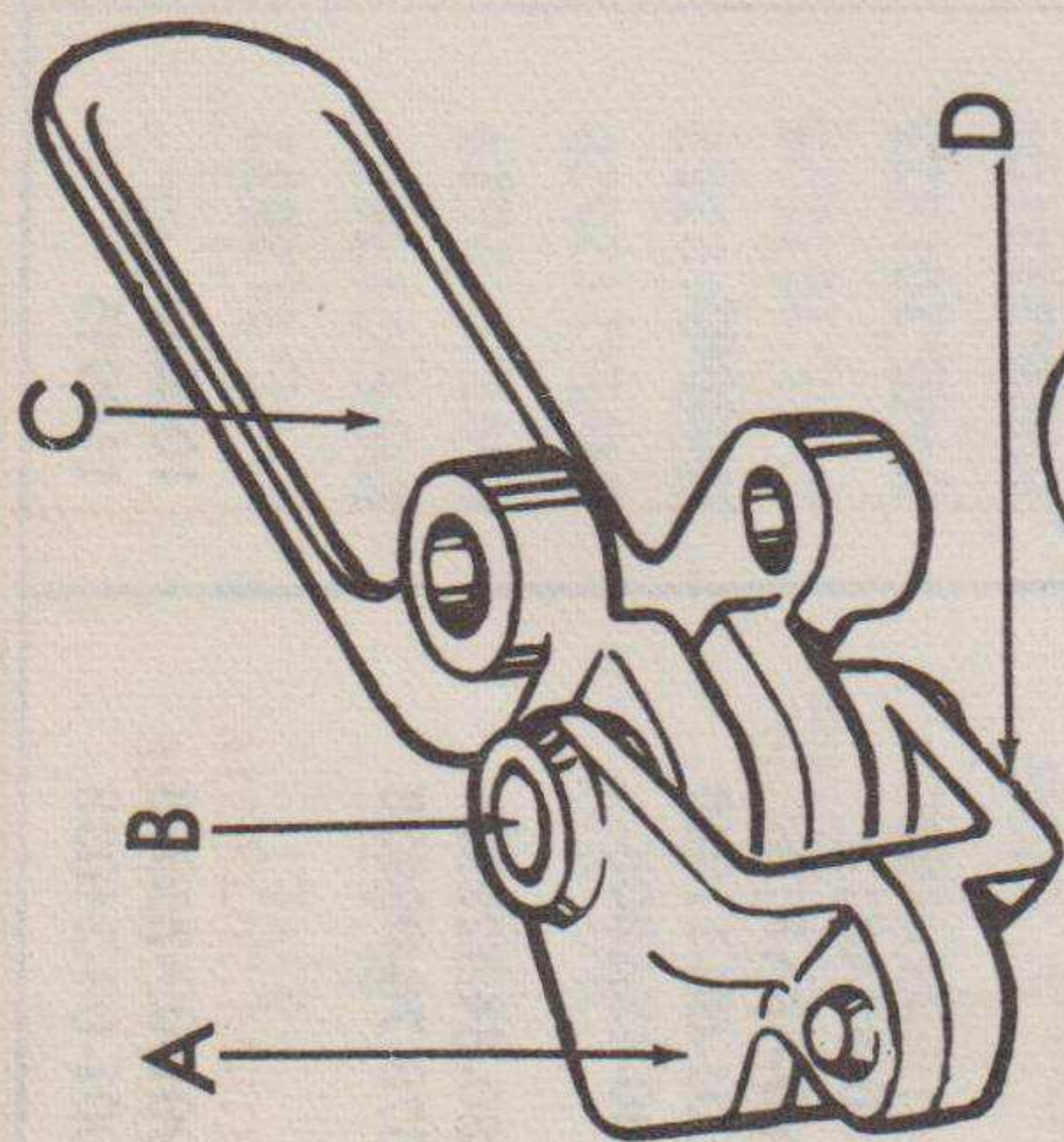
RA PD 344046

Key	Item	Manufacturer's Number	Group	Key	Item	Manufacturer's Number	Group
A	SCREW	HLC-100658	1820B	T	PLATE	HLC-34A2299	1820B
B	PLATE	HLC-34A4776	1820B	U	VALVE	HLC-31A306	1820B
C	HANDLE	HLC-70B415	1820B	V	RETAINER	HLC-102A7	1820B
D	PIN	HLC-48A812	1820B	W	WASHER	HLC-No. 1214	1820B
E	PIN	HLC-48A808	1820B	X	SCREW	HLC-110499	1820B
F	ARM	HLC-5C1690A	1820B	Y	SPACER	HLC-15A696	1820B
G	NUT	ORD-218436	1820B	Z	COVER	HLC-12B1109	1820B
H	SCREW	HLC-47A316	1820B	AA	WASHER	HLC-No. 1210	1820B
I	PIN	HLC-W48A226	1820B	AB	SCREW	HLC-114357	1820B
J	LATCH	HLC-A76A73	1820B	AC	SCREW	HLC-102569	1820B
K	PIN	HLC-103383	1820B	AD	SCREW	HLC-114350	1820B
L	WASHER	HLC-103319	1820B	AE	WASHER	HLC-No. 1214	1820B
M	SPRING	HLC-19A414	1820B	AF	SPRING	HLC-19A413	1820B
N	SCREW	HLC-106847	1820B	AG	PIN	HLC-48A810	1820B
O	CAM	HLC-A96A135	1820B	AH	GASKET	HLC-22-978	1820B
P	SPRING	HLC-A19A552	1820B	AI	COVER	HLC-12D-1125A	1820B
Q	GASKET	HLC-22B955	1820B	AJ	CLIPS	HLC-33A264	1820B
R	COVER	HLC-12C1635A	1820B	AK	WASHER	HLC-No. 1214	1820B
S	GASKET	HLC-22A928	1820B	AL	SCREW	HLC-110499	1820B

LEGEND FOR FIGURE 18-12—MANHOLE COVER

RA PD 344046A

Figure Number	Official Stockage Number Order and Store by This Number	Part Number		ITEM	Quant. Reqd. per Unit Assy.
		Ordnance	Manufacturer		
Col. 1	Col. 2	Col. 3	Col. 4	Col. 5	Col. 6
18-12	4180-48A812		HLC-48A812	1820B—MANHOLE COVER, VENTS AND CAPACITY INDICATOR (Cont'd) PIN, center groove, manhole PIN, hinge arm, manhole PIN, cotter, split, S., 1/8 x 1/2 in. (manhole latch) PIN, latch cam, manhole cover PLATE, name, manhole cover PLATE, vent valve, manhole cover PLUG, fusible, safety, w/SCREEN, 2 in., manhole cover RETAINER, feather valve, manhole cover RIVET, round head, S., 7/32 x 1 3/4 in. (cam latch assembly) RIVET, steel, b-hd., 3/16 x 5/8 in. (clamp assembly) RIVET, round head, 1/8 x 15/16 in. (manhole cover latch)	4
18-12	4180-48A810		HLC-48A810		2
18-12	H001-08-11049	103383	HLC-103383		4
18-12	4180-48A808		HLC-48A808		2
18-12	4180-34A2299		HLC-34A2299		2
18-12	G678-70-09338		CLB-353		4
18-12	H001-09-24078	104068	HLC-102A7		2
18-13	H001-09-24038	110945	HLC-349-2-7/32-1 3/4		4
			HLC-104068		2
			HLC-110945		8



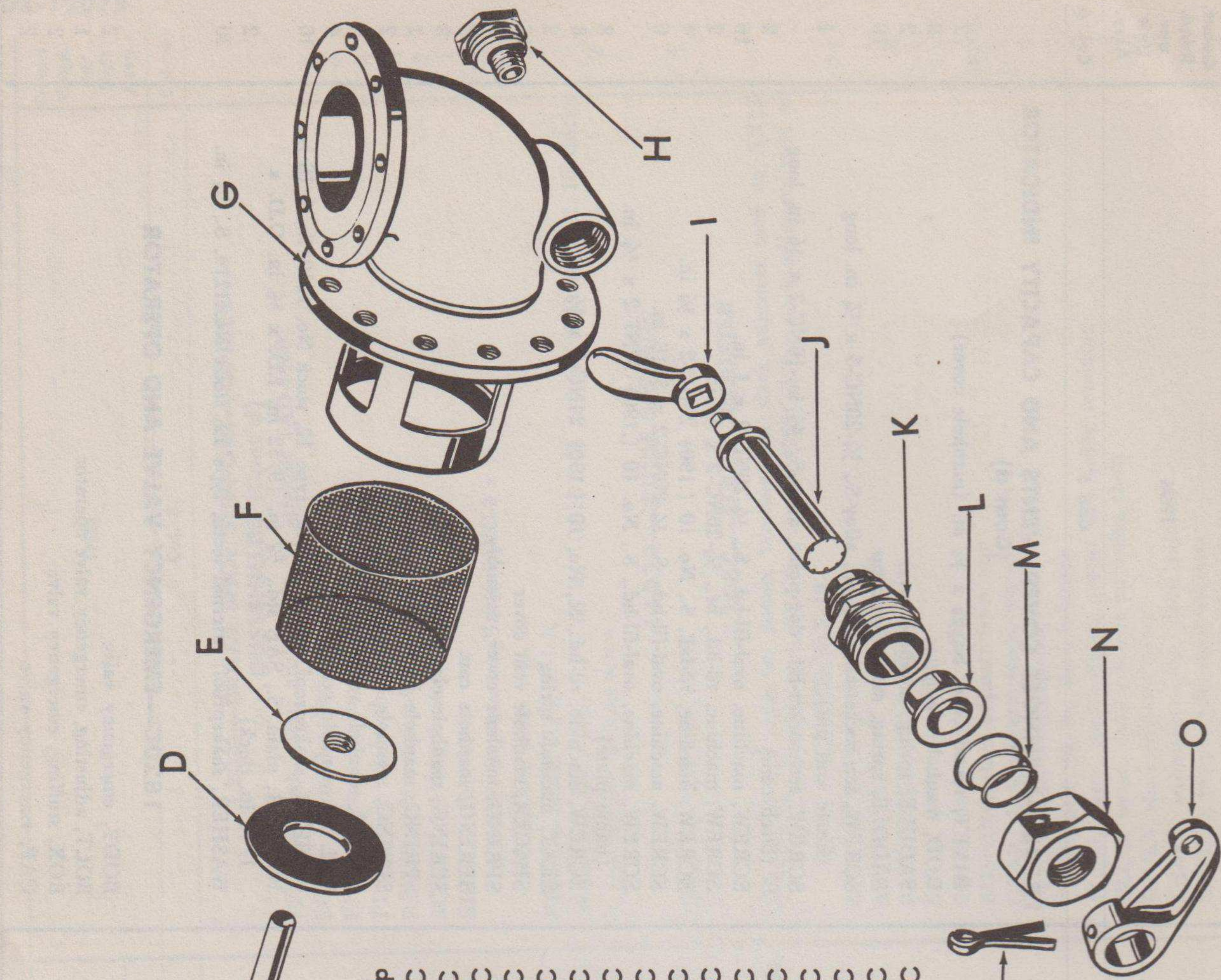
Key	Item	Manufacturer's Number	Group
A	HOOK	HLC-53A188L	1820B
B	RIVET	HLC-104068	1820B
C	HANDLE	HLC-70B411	1820B
D	HOOK	HLC-53A188R	1820B
E	ROD	HLC-27A-1456	1820B
F	PIN	HLC-48A806	1820B
G	SADDLE	HLC-14A577	1820B
H	SPRING	HLC-19A412	1820B
I	NUT	HLC-103088	1820B

FIGURE 18-13—MANHOLE COVER CLAMP

RA PD 344047

GROUP 18—BODY

Figure Number	Official Stockage Number Order and Store by This Number	Part Number		ITEM	Quant. Reqd. per Unit Assy.
		Ordinance	Manufacturer		
Col. 1	Col. 2	Col. 3	Col. 4	Col. 5	Col. 6
1820B—MANHOLE COVER, VENTS AND CAPACITY INDICATOR (Cont'd)					
18-13	H001-09-24035	104055	HLC-104055	RIVET, round head, S., 1/8 x 3/4 in. (manhole cover)	2
18-13			HLC-27A-1456	ROD, manhole clamp	8
18-12	H001-10-33014	102569	HLC-14A579	SADDLE, spring, manhole cover	2
18-12			HLC-14A577	SADDLE, spring, manhole clamp	16
18-12			HLC-102569	SCREW, set, socket-hd., cup-pt., alloy-S., 1/4-20NC-3 x 1/4 in. long (hinge arm pin)	4
18-12	H001-10-41021	106847	HLC-106847	SCREW, set, socket-hd., dog-point, alloy-S., 3/8 in.-16NC-2 x 5/8 in. long (latch cam)	2
18-12	H001-10-26128	114357	HLC-114357	SCREW, machine, oval-fil-hd., S., 1/4-20NC-2 x 1 in.	16
18-12	H001-10-28122	113977	HLC-47A316	SCREW, machine, rd-hd., br., 1/4-20NC-2 x 3/4 in.	2
18-12	H001-10-30098	110499	HLC-110499	SCREW, machine, rd-hd., S., No. 10 (.190) 24NC-2 x 3/8 in.	4
18-12	H001-10-26121	114350	HLC-114350	SCREW, machine, oval-fil-hd., S., 1/4-20NC-2 x 5/16 in.	6
18-12	H001-10-26461	100658	HLC-100658	SCREW, machine, oval-fil-hd., S., No. 10 (.190) 32NF-2 x 1/4 in. (name plate)	8
18-12	H001-10-30098	110499	HLC-110499	SCREW, machine, rd-hd., S., No. 10 (.190) 24NC-2 x 3/8 in.	8
18-12	4180-15A696		HLC-103A57	SEAT, manhole spring	2
18-12			HLC-15A696	SPACER, manhole vent cover	16
18-13	4180-19A412		HLC-A19A552	SPRING, manhole cover, assembly	2
18-12	4180-19A413		HLC-19A420	SPRING, manhole cam	2
18-12	4180-19A414		HLC-19A412	SPRING, manhole clamp	8
18-12	4180-31A305		HLC-19A413	SPRING, manhole hinge arm bumper	2
18-12	H001-15-18007	103319	HLC-19A414	SPRING, manhole latch	2
18-12			HLC-A31A312	VALVE, manhole vent, assembly	4
18-12			HLC-31A306	VALVE, manhole vent	4
18-12			HLC-No. 1210	WASHER, shakeproof, internal teeth, type 12, stock No. 1210, S., 3/16 in.	16
18-12			HLC-103319	WASHER, plain, S., SAE std., 1/4 in. (9/32 in. I.D. x 5/8 in. O.D. x 1/16 in. thick)	2
18-12			HLC-No. 1214	WASHER, shakeproof, internal teeth, type 12, stock No. 1214, S., 1/4 in.	20
1820C—EMERGENCY VALVE AND OPERATOR					
18-14	G678-70-09316		MBR-203F1-3	BODY, emergency valve	2
18-14	G678-70-09328		PVC-1733-1	BOLT, adjusting, emergency valve operator	1
			MBR-203F6-3	BOX, stuffing, emergency valve	2
			MBR-203F2-3	CAP, emergency valve	2



Item	Manufacturer's Number	Group
A	MBR-203F2-3	1820C
B	MBR-203F13-3	1820C
C	MBR-203F3-3	1820C
D	MBR-203F4-3	1820C
E	MBR-203F5-3	1820C
F	MBR-203F18-3	1820C
G	MBR-203F1-3	1820C
H	MBR-203F14-3	1820C
I	MBR-203F7-3	1820C
J	MBR-203F8-3	1820C
K	MBR-203F6-3	1820C
L	MBR-203F15-3	1820C
M	MBR-203F16-3	1820C
N	MBR-203F10-3	1820C
O	MBR-203F11-3	1820C
P	MBR-203F12-3	1820C

Key A B C D E F G H I J K L M N O P

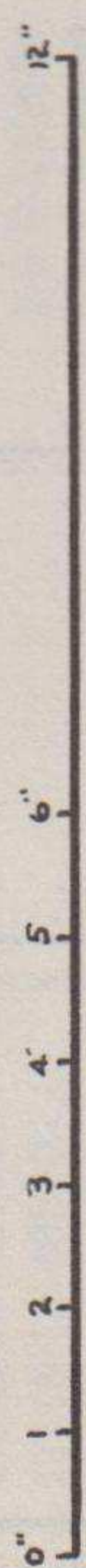


FIGURE 18-14—EMERGENCY VALVE

GROUP 18—BODY

Figure Number	Official Stockage Number Order and Store by This Number	Part Number		ITEM	Quant. Reqd. per Unit Assy.
		Ordinance	Manufacturer		
Col. 1	Col. 2	Col. 3	Col. 4	Col. 5	Col. 6
				1820C—EMERGENCY VALVE AND OPERATOR (Cont'd)	
	G678-70-09319		PVC-A2864-2	CONNECTOR, cable, emergency valve operator, assembly (Includes: 1—NUT, jam, cable 1—NUT, lock 1—SLEEVE, split)	1
18-14	G678-70-09327		PVC-1674-4 PVC-1662-2 PVC-1666-1 MBR-203F4-3 MBR-203F17-3 PVC-2063	DISC, compression, emergency valve FLANGE, welding, emergency valve FRAME, lever, emergency valve operator	2 2 1
18-14	G678-70-09335		MBR-203F15-3 PVC-S-1000-1 PVC-2527 PVC-2527-A MBR-203F7-3 PVC-S-1000-9 MBR-203F11-3 PVC-A2841-2 PVC-2988 PVC-A-3182 PVC-A-3182-A MBR-203F5-3 PVC-2424-2 PVC-1674-A PVC-2215-3 PVC-1666-2 MBR-203F10-3 PVC-A-3181-2 MBR-203F12-3 PVC-S-525-2 PVC-2527-1 PVC-S-1000-8 MBR-203F14-3 MBR-203F3-3 MBR-203F9-3 PVC-2527-4	GLAND, packing, fulcrum shaft, emergency valve GUIDE, w/BOLTS, emergency valve operator, assembly HOUSING, trip, for flexible conduit, emergency valve operator HOUSING, trip, for 3/8 in. tubing, emergency valve operator LEVER, fulcrum, emergency valve LEVER, operating, emergency valve operator LEVER, operating emergency valve LINK, fusible, control, emergency valve operator LINK, offset, control, emergency valve operator MECHANISM, trip, for flexible conduit (emergency valve operator) MECHANISM, trip, for 3/8 in. tubing (emergency valve operator) NUT, disc retaining, emergency valve NUT, reg, hex, s-fin., S., 5/16-24NF-2 (emergency valve operator) NUT, jam, emergency valve operator cable NUT, jam, hex, s-fin., S., 5/16-24NF-2 (emergency valve operator) NUT, lock, emergency valve operator NUT, packing, fulcrum shaft, emergency valve OPERATOR, emergency valve, cable control, assembly PIN, cotter, brass, emergency valve PIN, link w/COTTER PIN, emergency valve operator, assembly PISTON, emergency valve operator PLATE, name, w/SCREWS, emergency valve operator, assembly PLUG, side, emergency valve PLUNGER, emergency valve RING, packing, fulcrum shaft, emergency valve RIVET, button head, 1/8 x 1/4 in. (emergency valve operator)	2 2 2 2 2 1 1 2 1 2 1 1 1 1 2 1 1 1 1 2 2 2 1 1 1 1 2 2 1 1 2 2 6 2

GROUP 18—BODY

Figure Number	Official Stockage Number		Part Number		ITEM	Quant. Reqd. per Unit Assy.
	Order and Store by This Number	Col. 2	Col. 3	Col. 4		
Col. 1	Col. 2	Col. 3	Col. 4	Col. 5	Col. 6	
18-14	G678-70-09337 H001-10-23151 G678-70-09324	113914	PVC-S-718-1 PVC-S-625-1 MBR-203F18-3 PVC-S-131-1 PVC-S-125-2		1820C—EMERGENCY VALVE AND OPERATOR (Cont'd) RIVET, button head, 3/16 x 5/8 in. w/COTTER PIN, emergency valve operator RIVET, flat head, 1/4 x 1 1/8 in. w/COTTER PIN, emergency valve operator SCREEN, brass, 40 mesh, fine, emergency valve SCREW, cap, flat-hd., S., 5/16-18 x 1 in. (selective valve control mounting) SCREW, cap, hex., w/NUT AND LOCK WASHER, 1/4-20 x 3/4 in. (trip trigger) SCREW, cap, hex., w/NUT AND LOCK WASHER, 1/4-20 x 3/4 in. (trip trigger) SHAFT, fulcrum, emergency valve SHAFT, lever w/PINS, emergency valve operator SLEEVE, control cable, emergency valve operator w/CLEVIS, assembly (Includes: 1—SLEEVE, split 1—NUT, lock 1—BODY, clevis 1—PIN, clevis, w/COPPER PIN) SLEEVE, split, emergency valve operator SPACER, lever, emergency valve operator SPRING, plunger, emergency valve SPRING, stuffing box, emergency valve SPRING, trip trigger, emergency valve operator STOP, lever, w/SET SCREWS and JAM NUTS, emergency valve operator TRIGGER, trip, emergency valve operator VALVE, discharge emergency, fuel (3 in. angle type w/40 mesh screen) WASHER, emergency valve operator spring	1 1 2 6 2 1 2 1 1
18-14	G678-70-09323 G678-70-09330 G678-70-09320		PVC-S-125-1 MBR-203F8-3 PVC-S-462-1 PVC-A2864			1 2 1 1
18-14	G678-70-09333 G678-70-09336 G678-70-09321		PVC-1666-1 PVC-1666-2 PVC-1666 PVC-S525-1 PVC-1666-1 PVC-1664-3 MBR-203F13-3 MBR-203F16-3 PVC-2527-2 PVC-1001-1 PVC-1673 MBR-203F-3 PVC-2527-3			1 1 2 2 1 1 1 1 2 1
18-14	G678-70-09318 G678-70-09325				1820D—FAUCET BODY, faucet, w/STOP PIN (MVC-5618-J), assembly BODY, faucet inlet DISC, faucet seat FAUCET, 2 in. male straight pipe thread (complete with locking type dust cap and chain) assembly GASKET, faucet GLAND, screwed, faucet HOLDER, disc, faucet LEVER, faucet	2 2 2 2 2 2 2 2 1

Col. 1	Col. 2	Col. 3	Col. 4	Col. 5	Col. 6
	H001-07-18023	218565	MVC-3537-J MVC-3171-J	NIPPLE, hose, faucet NUT, disc, faucet NUT, regular hex., s-fin., S., 3/8-24NF-2 (faucet body screw)	2 2 8
	H001-10-13246	215993	MVC-6515-J MVC-4831-J	PACKING, faucet RETAINER, faucet spring	2 2
			MVC-4250-J MVC-7084-J MVC-26064-JB MVC-38051-J	SCREW, cap, hex-hd., S., 3/8-24NF-2 x 1 1/4 in. (faucet body) SCREW, lock, faucet gland SPRING, faucet STEM, faucet WASHER, pinch	8 2 2 2 2
	H001-01-16026	227510	HLC-11A2858	1820E—PIPING BRACKET, "U"-bolt	2
	H001-07-21001 H001-10-30135 H001-15-18007	105604 113956 103319	HLC-58-819 HLC-1X-37 HLC-36B136	BOLT, hex-hd., s-fin., alloy-S., 3/8-16NC-2 x 1 in. (manifold) BUSHING, reducing, faucet, 3 in. x 2 in. standard pipe CABLE, steel, 3/16 in. preformed, 37 strand, x 40 ft. lg. (from control to emergency valve and to front release) CLAMP, e/8 in. tube to 3/4 in. tube NUT, reg., sq., unfin., S., 1/4 in. 20NC-2 SCREW, machine, rd-hd., S., 1/4-20NC-2 x 5/8 in. WASHER, lock, reg., S., 1/4 in. (0.265 I.D. x 0.453 O.D. 3/32 x 1/16 thick)	2 2 2 2 1 lgth.
	H001-07-18003 H001-07-18023 H001-07-18025	220066 218565 218571	IB-68F HLC-45-291 HLC-A58A499 HLC-22B243 HLC-22A272 HLC-22B567 HLC-22B898 HLC-BW296-C HLC-58-820	CONNECTOR, brass, 3/8 in. O.D. tube x 1/4 in. pipe thd. (emergency valve operator) COUPLING, half, faucet, 3 in. standard pipe (wrought iron) FITTING, grease, assembly GASKET, cork, manifold cover GASKET, cork, pipe flanged GASKET, cork, rear piping GASKET, cork, outlet flange MANIFOLD, assembly NIPPLE, close, faucet, 2 in. standard pipe NUT, reg., hex., s-fin., 3/8-16NC-2 (manifold) NUT, reg., hex., s-fin., S., 3/8-24NF-2 (for connecting pipe) NUT, reg., hex., s-fin., S., 1/2-20NF-2 (for connecting pipe)	5 2 2 3 1 2 2 2 2 1 2 8 16 12 1 1
	H001-10-13247 H001-10-13285	216793 216833	HLC-BW296-A HLC-BW296-B	PIPING, front compartment, assembly PIPING, rear compartment, assembly SCREW, cap, hex-hd., S., 3/8-24NF-2 x 1 1/2 in. (for connecting piping) SCREW, cap, hex-hd., S., 1/2-20NF-2 x 1 1/2 in. (for connecting piping) TUBING, Bundy weld, steel, 3/8 in. O.D. x .028 in. wall x 40 feet (for cable)	16 12 1 1
	H001-15-18009 H001-15-18009 H001-15-18011	103321 103321 103323	HLC-54-658 HLC-78A217	U-BOLT, bracket WASHER, lock, reg., S., 3/8 in. (0.390 I.D. x 0.640 O.D. 1/8 x 3/32 thick) (manifold) WASHER, lock, reg., S., 3/8 in. (0.390 I.D. x 0.640 O.D. 1/8 x 3/32 thick) (for connecting piping) WASHER, lock, reg., S., 1/2 in. (0.515 I.D. x 0.859 O.D. 11/64 x 1/8 thick) (for connecting piping)	1 lgth. 2 8 16 12

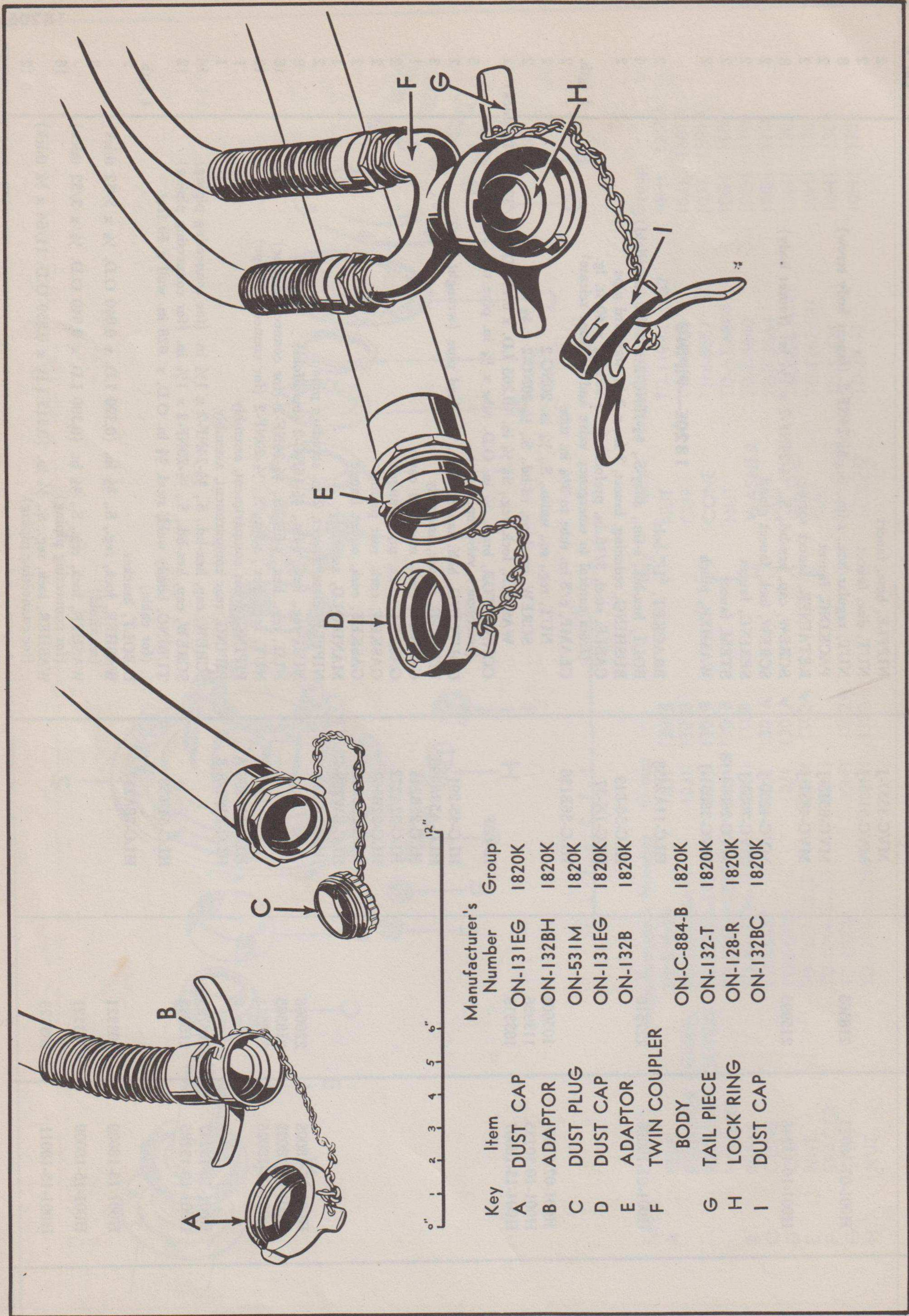


FIGURE 18-15—HOSE FITTINGS

RA PD 344049

Key	Item	Manufacturer's Number	Group
A	CAP	ON-B-1621	1820K
B	SPRING	ON-M-2448	1820K
C	SKIRT	ON-RB-562	1820K
D	DISC	ON-M-662	1820K
E	HOLDER	ON-B-1620	1820K
F	PLUNGER	ON-RB-563	1820K
G	STEM	ON-S-108	1820K
H	BODY	ON-B-1590	1820K
I	BOX	ON-RB-561	1820K
J	PLUG	ON-RB-3618	1820K
K	BALL	ON-M-3613	1820K
L	NUT	ON-B-1658	1820K
M	TUBE ASSEMBLY	ON-30-AW	1820K

Key	Item	Manufacturer's Number	Group
N	GASKET	ON-M-3617	1820K
O	CAP	ON-H-3923B	1820K
P	LINK	ON-H-3673-M	1820K
Q	SPRING	ON-H-3667-M	1820K
R	CHAIN	ON-HM-284	1820K
S	NUT	ON-RB-4	1820K
T	WASHER	ON-M-3444	1820K
U	GLAND	ON-RB-3	1820K
V	PACKING	ON-M-714	1820K
W	PIN	ON-M-95	1820K
X	PIN	ON-M-3760	1820K
Y	LEVER	ON-B-2567	1820K

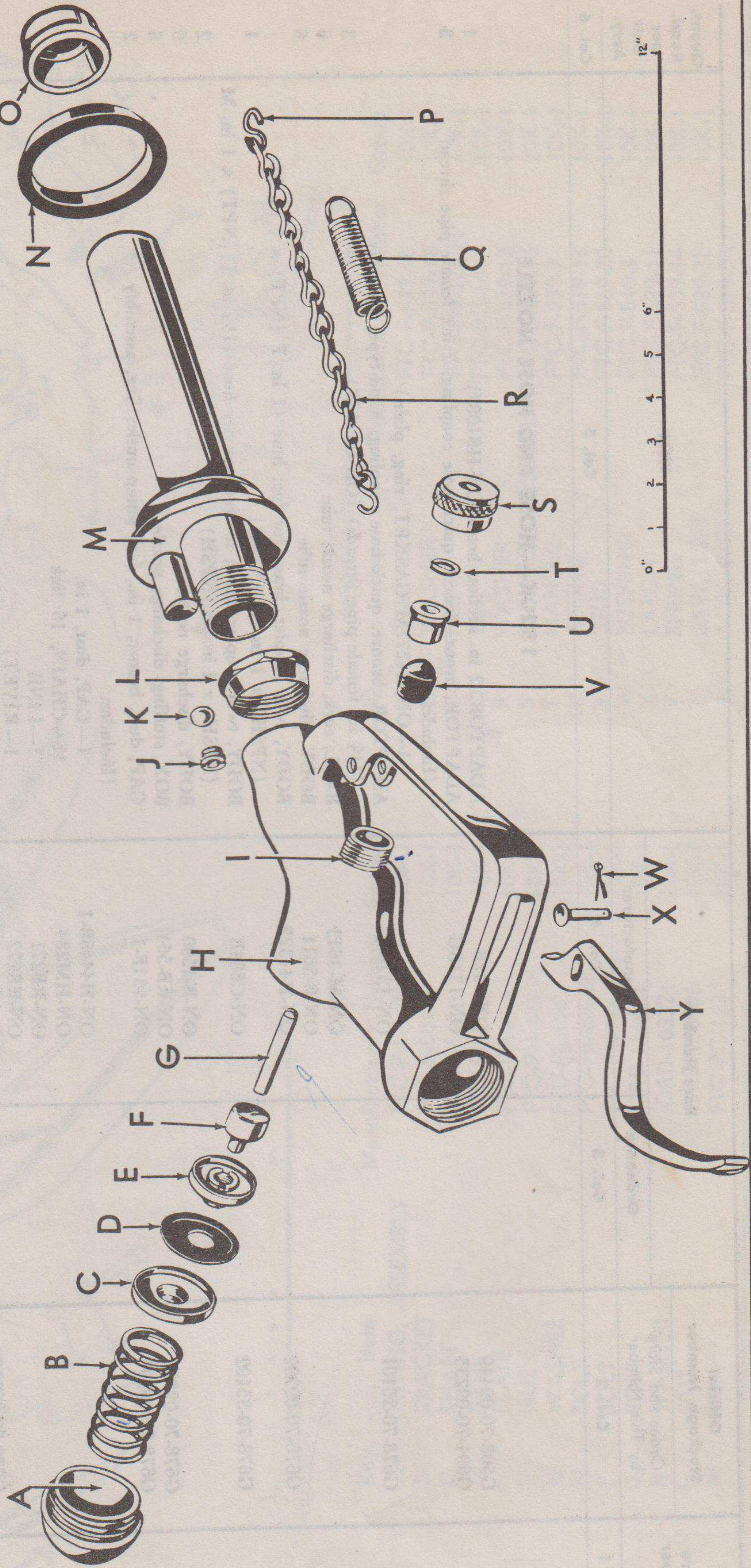


FIGURE 18-16—WHISTLE NOZZLE VALVE

RA PD 344050

GROUP 18—BODY

Figure Number	Official Stockage Number Order and Store by This Number	Part Number		ITEM	Quant. Reqd. per Unit Assy.
		Ordnance	Manufacturer		
Col. 1	Col. 2	Col. 3	Col. 4	Col. 5	Col. 6
18-15	G508-70-09449 G694-70-09235		ON-132B ON-132BG	1820K—HOSE AND HOSE NOZZLE ADAPTOR, 2 in. suction hose (ON-HB1087) ADAPTOR, bronze faucet, quick hose coupling, 2 in., female pipe thread (Includes: 1—ON-H4277M GASKET, ring, plain) ADAPTOR, bronze, quick hose coupling, hand-type, assembly (1½ in. female pipe threads) (ON-C1117B) BALL, cork, discharge nozzle tube BODY, discharge nozzle tube BODY, twin coupler, brass, for fuel hose (1 in. F (NPT) x 1 in. M (NPSH) x 1 in. M (NPSH) BODY, twin coupler, brass, for fuel gravity hose (1½ in. F (NPT) x 1 in. M (NPSH) x 1 in. M (NPSH) BODY, discharge nozzle BOX, stuffing, discharge nozzle CAP, dust, bronze, 1 in., fuel pump outlet line, assembly (Includes: 1—CAP, dust, 1 in. 16—CHAIN, 16 link 1—LINK 1—RIVET) CAP, dust, bronze, 2 in., fuel pump outlet line, assembly (Includes: 1—CAP, dust, 2 in. 16—CHAIN, link 1—LINK 1—RIVET) CAP, dust, bronze, quick coupling, assembly (Not threaded) (For lock ring on 128R) (Includes: 1—CAP, dust 14—CHAIN, link 2—LINK, chain) CAP, dust, bronze, quick detachable, assembly (Not threaded) (For adaptors on 132BG on 132BH)	1 3 3 6 6 1 2 6 6 2 1 7 3
18-15	G678-70-35101		ON-132BH		
18-16			ON-M-3613 ON-B-3611 ON-H4432B		
18-15	G678-70-09399		ON-C884B		
18-16	G678-70-35102		ON-B-1590		
18-16	G678-70-09391 G678-70-09396		ON-RB-561 ON-531F-1		
			ON-H4448B-1 ON-HM284 ON-RB271 ON-RB272 ON-531F-2		
			ON-4460B-2 ON-HM284 ON-RB271 ON-RB-272 ON-132BC		
18-15	G694-70-09230		ON-C1116B ON-HM-284 ON-H3673M ON-131EG		
18-15	G684-70-09231				

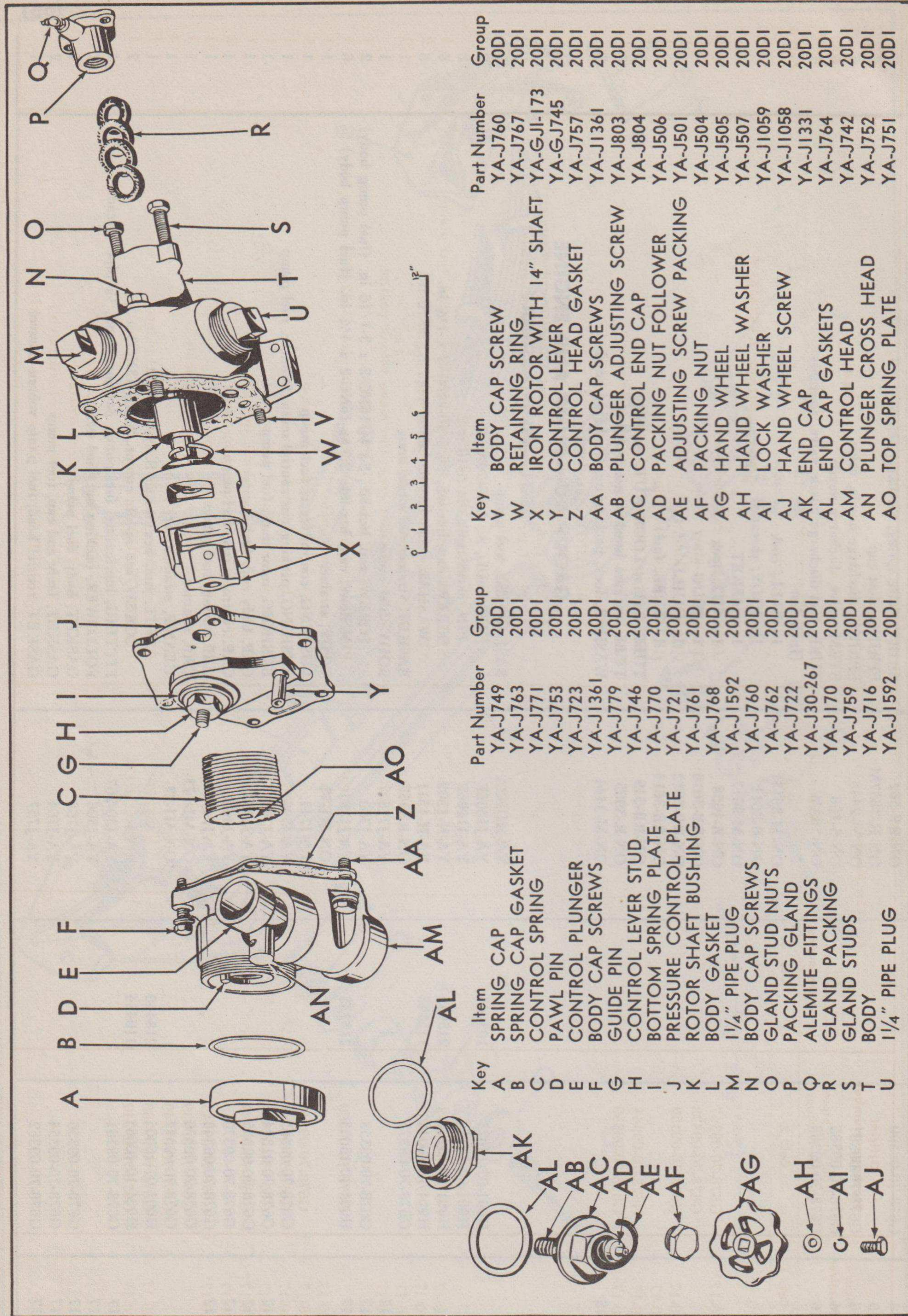
Col. 1	Col. 2	Col. 3	Col. 4	Col. 5	Col. 6
18-16			ON-C1135B	(Includes: 1—CAP, dust	6
18-16			ON-HM284	14—CHAIN, link	6
	G678-70-09387		ON-3673M	2—LINK, chain, cap	6
	G678-70-09389		ON-HM72	1—WASHER)	
			ON-H-3923B	CAP, discharge nozzle tube dust cap	
			ON-B-1621	CAP, spring, discharge nozzle	
			ON-H296C	CAP, discharge nozzle tube, assembly	
				(Includes: 1—CAP, tube	
18-16			ON-H3923B	1—CHAIN	6
18-16			ON-HM284	1—LINK, chain cap	6
			ON-H3673M	1—SPRING)	1
			ON-H3667M	CHAIN, dust cap, discharge nozzle	11
			ON-HM-284	DISC, valve, discharge nozzle	3
			ON-M-662	FUNNEL, fuel, 1½ gallon	2
				GASKET, leather, hose, female coupling, 1 in. inside diameter x 1-5/16 in. outside diameter x 1/8 in. thick	6
			HLC-22-1152	GASKET, leather, hose, female coupling, 1½ in. outside diameter x 1-15/16 in. inside diameter x 5/32 in.	11
			HLC-22-1153	GASKET, leather, hose, female coupling, 2 in. inside diameter x 2¾ in. outside diameter x 5/32 in.	3
			HLC-22-1154	GASKET, nozzle tube	2
			ON-M-3617	GASKET, ring, dust cap plug, 7/32 in. x 1 in. outside diameter	6
			ON-H3927M	GASKET, ring, quick hose coupler adaptor (7/32 x 2 O.D. used with 132BG adaptor)	1
			ON-H4277	GASKET, ring, quick hose coupler (7/32 v 3-5/16 O.D. used with 132EG dust cap and 128 R lock ring)	2
			ON-HM72	GLAND, packing, discharge nozzle	18
			ON-RB-3	HOLDER, discharge nozzle disc	6
			ON-B-1620	HOSE, fuel, non-metallic, discharge type, assembly, 1 in. x 9 ft., with male and female couplings, 1 in. NPS	6
			HLC-A57-27	HOSE, fuel, non-metallic, discharge type, assembly, 1 in. x 8 ft., with male and female couplings, 1 in. NPS	2
			HLC-A57-29	HOSE, fuel, non-metallic, discharge type, assembly, 1½ in. x 10 ft., with male and female couplings, 1½ in. NPS	4
			HLC-A57-28	HOSE, fuel, non-metallic, discharge type, assembly, 1 in. x 20 ft., with male and female couplings, 1 in. NPS	2
			HLC-A57-26	HOSE, fuel, wire stiffened, suction type, assembly, 2 in. x 15 ft., with male and female couplings, 2 in. NPS	5
			HLC-A57-24	HOSE, fuel, wire stiffened, suction type, assembly, 1½ in. x 30 ft., with male and female couplings, 1½ in. NPS	2
			HLC-A57-25	KIT, discharge hose, repair, 1 in.	1
			HLC-A18A164	(Consists of: 2—CLAMP, 1½ in. hose, brass 1—SLEEVE, 1½ in. brass hose mender)	as req.

GROUP 18—BODY

1820K-20D1

Figure Number	Official Stockage Number Order and Store by This Number	Part Number		ITEM	Quant. Reqd. per Unit Assy.
		Ordinance	Manufacturer		
Col. 1	Col. 2	Col. 3	Col. 4	Col. 5	Col. 6
	4180-A18A165		HLC-A18A165	1820K—HOSE AND HOSE NOZZLES KIT, discharge hose, repair, 1½ in. (Consists of: 2—CLAMP, 1½ in. hose 1—SLEEVE, 1½ in. hose mender)	as req.
18-16	G678-70-09380		ON-H2567B	LEVER, hand, discharge nozzle	6
18-16	G678-70-09395		ON-H-3673-M	LINK, dust cap chain	6
18-16	G694-70-09229		ON-71G	NIPPLE, hose cast bronze, 1 in. standard thread	1
18-16	G678-70-09384		ON-711WC	NOZZLE, discharge, fuel, assembly, 1 in. wet hose, whistle type	6
18-16	G694-70-09234		ON-B-1658	NUT, lock nozzle tube	6
18-15	G678-70-09393		ON-HRB-4	NUT, packing, valve stem, discharge nozzle	6
	G678-70-09397		ON-HM-714	PACKING, stem, valve, discharge nozzle	6
			ON-132T-1-½	PIECE, tail, bronze, quick hose coupling, 1½ in. male standard pipe threads, (HB-1041)	6
18-16			ON-132T-2	PIECE, tail, bronze, quick hose coupling, 2 in. (HB-1042)	1
18-16			ON-M95	PIN, cotter, hand lever fulcrum pin, discharge nozzle	12
			ON-M-3760	PIN, fulcrum, hand lever, discharge nozzle	6
			ON-531M-1	PLUG, dust cap, bronze, fuel pump, assembly (1 in.)	1
			ON-HM284	(Includes: 16—CHAIN, link	
			ON-RB271	1—LINK	
			ON-H4447B-1	1—PLUG, dust cap, bronze (1 in. NPSH thread)	
			ON-RB-272	1—RIVET)	
18-15	G678-70-09397		ON-531M-2	PLUG, dust cap, fuel pump, 2 in., assembly	1
			ON-HM284	(Includes: 16—CHAIN, link	
			ON-RB271	1—LINK	
			ON-4461B-2	1—PLUG, dust cap bronze (2 in. 11½ HPSH thread)	
			ON-RB272	1—RIVET)	
18-16			ON-RB-3618	PLUG, nozzle tube quill	6
18-16	G678-70-09394		ON-RB-563	PLUNGER, valve stem, discharge nozzle	6
			ON-RB-3612	QUILL, nozzle tube	6
18-15	G694-70-09392		ON-128R	RING, lock, bronze, quick hose coupling, drilled for chain, assembly (Includes: 1—LOCK 1—WASHER)	7

Col. 1	Col. 2	Col. 3	Col. 4	Col. 5	Col. 6
18-16	G678-70-09390		ON-RB-562	SKIRT, valve spring, discharge nozzle	6
18-16			ON-H-3667M	SPRING, dust cap	6
18-16	G678-70-09381		ON-M-2448	SPRING, discharge nozzle, valve	6
18-16	G678-70-09385		ON-S-108	STEM, valve, discharge nozzle	6
18-16	G678-70-09388		ON-30AW	TUBE, fuel discharge nozzle valve, assembly	6
				(Includes:	
			ON-M-3613	1—BALL, cork	
			ON-B-3611	1—BODY, threaded	
			ON-M-3617	1—GASKET	
			ON-B-1658	1—NUT, lock	
			ON-RB-3618	1—PLUG	
			ON-RB-3612	1—QUILL	
			ON-RB-3614	1—TUBE, fuel)	
			ON-RB-519	TUBE, fuel, w/LOCK NUT, assembly	6
			ON-R-3905	TUBE, vacuum breaker, nozzle tube	6
18-16			ON-M-3444	WASHER, lock, packing nut discharge nozzle	6
				GROUP 20—PUMP AND ENGINE	
				20D1—PUMP ASSEMBLY	
				BASE, tubular, fuel pump	1
			YA-H1042A	NUT, castle, S., 5/16-24NF-2	8
			YA-J1006E	PIN, cotter, split, S., 5/16 x 2	8
			YA-J1006F	SCREW, cap, hex-hd., S., 5/16-24NF-2 x 1 1/4 in.	8
			YA-H-1509	WASHER, lock, internal teeth, reg., S., 5/16 in.	8
			YA-H-1511	BASKET, strainer, 40 mesh, brass	1
			ON-RB367	BODY, fuel pump	1
			YA-J716.	SCREW, cap, hex-hd., S., 3/8-16NC-2 x 3-1/16 in. (fuel pump body)	2
			YA-J760	SCREW, cap, hex-hd., S., 3/8-16NC-2 x 1 1/4 in. (fuel pump body)	6
			YA-J1361	BODY, strainer	1
			ON-MI-72	BUSHING, control lever, fuel pump	1
			YA-J744	BUSHING, packing nut control screw follower, fuel pump	1
			YA-J506	BUSHING, rotor shaft, fuel pump	1
			YA-J761	CAP, body end, fuel pump	1
			YA-J1331	CAP, control screw, fuel pump	1
			YA-J804	CAP, spring, fuel pump	1
			YA-J749	CAP, strainer	1
			ON-MI-173	CLAMP, strainer cap	1
			ON-MI-73	NUT, jam, hex., s-fin., S., 1/2-13NC-2	1
				SCREW, set, sq-hd., cup-pt., S., 1/2-13NC3 x 2	2
				FITTING, lubricating, fuel pump, packing gland, 1/8 pipe thread	1
			YA-J30-267	FOLLOWER, packing nut, fuel pump	1
			YA-J506	GASKET, body, fuel pump	1
			YA-J768	GASKET, body end cap, fuel pump	1
			YA-J764	GASKET, control head, fuel pump volume control	2
			YA-J757		1



Key	Item	Part Number	Group
A	SPRING CAP GASKET	YA-J749	20DI
B	SPRING CAP GASKET	YA-J763	20DI
C	CONTROL SPRING	YA-J771	20DI
D	PAWL PIN	YA-J753	20DI
E	CONTROL PLUNGER	YA-J723	20DI
F	BODY CAP SCREWS	YA-J1361	20DI
G	GUIDE PIN	YA-J779	20DI
H	CONTROL LEVER STUD	YA-J746	20DI
I	BOTTOM SPRING PLATE	YA-J770	20DI
J	PRESSURE CONTROL PLATE	YA-J721	20DI
K	ROTOR SHAFT BUSHING	YA-J761	20DI
L	BODY GASKET	YA-J768	20DI
M	1 1/4" PIPE PLUG	YA-J1592	20DI
N	BODY CAP SCREWS	YA-J760	20DI
O	GLAND STUD NUTS	YA-J762	20DI
P	PACKING GLAND	YA-J722	20DI
Q	ALEMITE FITTINGS	YA-J30-267	20DI
R	GLAND PACKING	YA-J170	20DI
S	GLAND STUDS	YA-J759	20DI
T	BODY	YA-J716	20DI
U	1 1/4" PIPE PLUG	YA-J1592	20DI
V	BODY CAP SCREW	YA-J760	20DI
W	RETAINING RING	YA-J767	20DI
X	IRON ROTOR WITH 14" SHAFT	YA-GJI-173	20DI
Y	CONTROL LEVER	YA-GJ745	20DI
Z	CONTROL HEAD GASKET	YA-J757	20DI
AA	BODY CAP SCREWS	YA-J1361	20DI
AB	PLUNGER ADJUSTING SCREW	YA-J803	20DI
AC	CONTROL END CAP	YA-J804	20DI
AD	PACKING NUT FOLLOWER	YA-J506	20DI
AE	ADJUSTING SCREW PACKING	YA-J501	20DI
AF	PACKING NUT	YA-J504	20DI
AG	HAND WHEEL	YA-J505	20DI
AH	HAND WHEEL WASHER	YA-J507	20DI
AI	LOCK WASHER	YA-J1059	20DI
AJ	HAND WHEEL SCREW	YA-J1058	20DI
AK	END CAP	YA-J1331	20DI
AL	END CAP GASKETS	YA-J764	20DI
AM	CONTROL HEAD	YA-J742	20DI
AN	PLUNGER CROSS HEAD	YA-J752	20DI
AO	TOP SPRING PLATE	YA-J751	20DI

FIGURE 20-17—PUMP

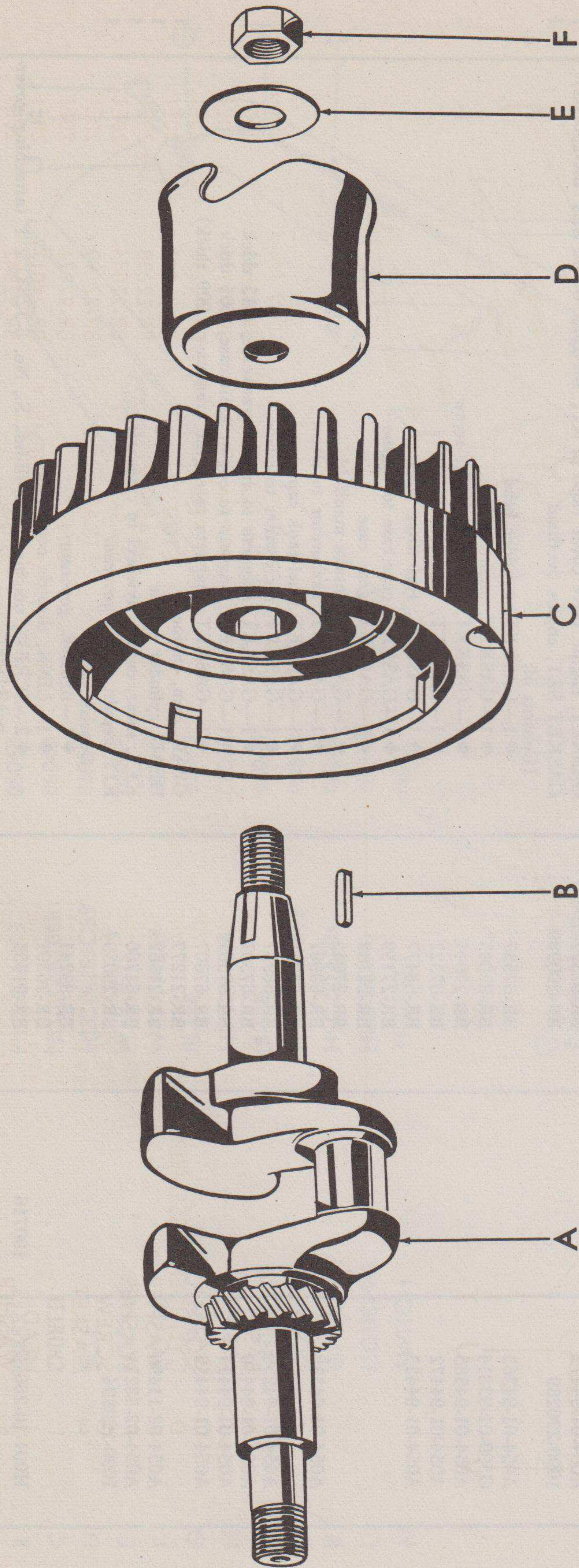
GROUP 20—PUMP AND ENGINE

Figure Number	Official Stockage Number		Part Number		ITEM	Quant. Reqd. per Unit Assy.	
	Order and Store by This Number	Col. 2	Col. 3	Col. 4			
Col. 1	Col. 2	Col. 3	Col. 4	Col. 5	Col. 6		
20-17	G678-70-09347		YA-J763	20D1—PUMP ASSEMBLY	GASKET, spring cap, fuel pump	1	
20-17	G678-70-09378		ON-HM-440			GASKET, strainer	1
20-17	G678-70-09350		YA-J722			GLAND, packing, fuel pump	1
20-17	G678-70-09344		YA-J742			HEAD, control, fuel pump	1
20-17	G678-70-09359		YA-J752			HEAD, cross, plunger, fuel pump	1
			YA-GJ-745			LEVER, fuel pump flow control, assembly	1
			YA-J744			(Includes: 1—BUSHING, control lever 1—LEVER, cam (Not serviced separately) 1—PIN, cam lever piston control (Not serviced separately) 1—PIN, fulcrum, cam lever (Not serviced separately) 1—PIN, guide 1—STUD, control lever 1—WASHER, control lever)	
20-17	G678-70-09373		YA-J779			NUT, packing adjusting screw plunger flow control, fuel pump	1
20-17	G678-70-09352		YA-J746			NUT, packing gland stud, fuel pump	2
20-17			YA-J743			PACKING, gland, fuel pump	1
20-17			YA-J504			PACKING, adjusting crew, fuel pump volume control, (optional w/PACKING, YA-J1194)	
			YA-J762			PIN, dowel, aligning, fuel pump control plate, 5/32 x 3/8 in.	4
			YA-J170			PIN, guide, fuel pump	1
20-17	G678-70-09360		YA-J501	PIN, pawl, adjusting plate, fuel pump	4		
20-17	G678-70-09346		YA-J1303	PLATE, bottom spring, fuel pump	1		
20-17	G678-70-09341		YA-J779	PLATE, pressure control, fuel pump	1		
20-17	G678-70-09358		YA-J770	PLATE, adjusting top spring, fuel pump	1		
20-17	G678-70-09343		YA-J721	PLUG, pipe 1/4 in., fuel pump body	2		
20-17	G678-70-09345		YA-J751	PLUNGER, control, fuel pump	1		
20-17	G678-70-09339		YA-J1592	PUMP, fuel, manual flow control, assembly	1		
20-17	G678-70-09349		YA-J723	RING, packing, fuel pump	4		
20-17	G678-70-09368		YA-20-DV	RING, retaining rotor shaft bushing, fuel pump	1		
20-17	G678-70-09340		YA-J170	ROTOR GROUP, fuel pump	1		
			YA-J767	(Includes: 1—PISTON, rotor (Not serviced separately) 1—ROTOR (Not serviced separately) 1—SHAFT, rotor (Not serviced separately) 1—SHUTTLE, rotor (Not serviced separately)			
			YA-GJ1-173				

GROUP 20—PUMP AND ENGINE

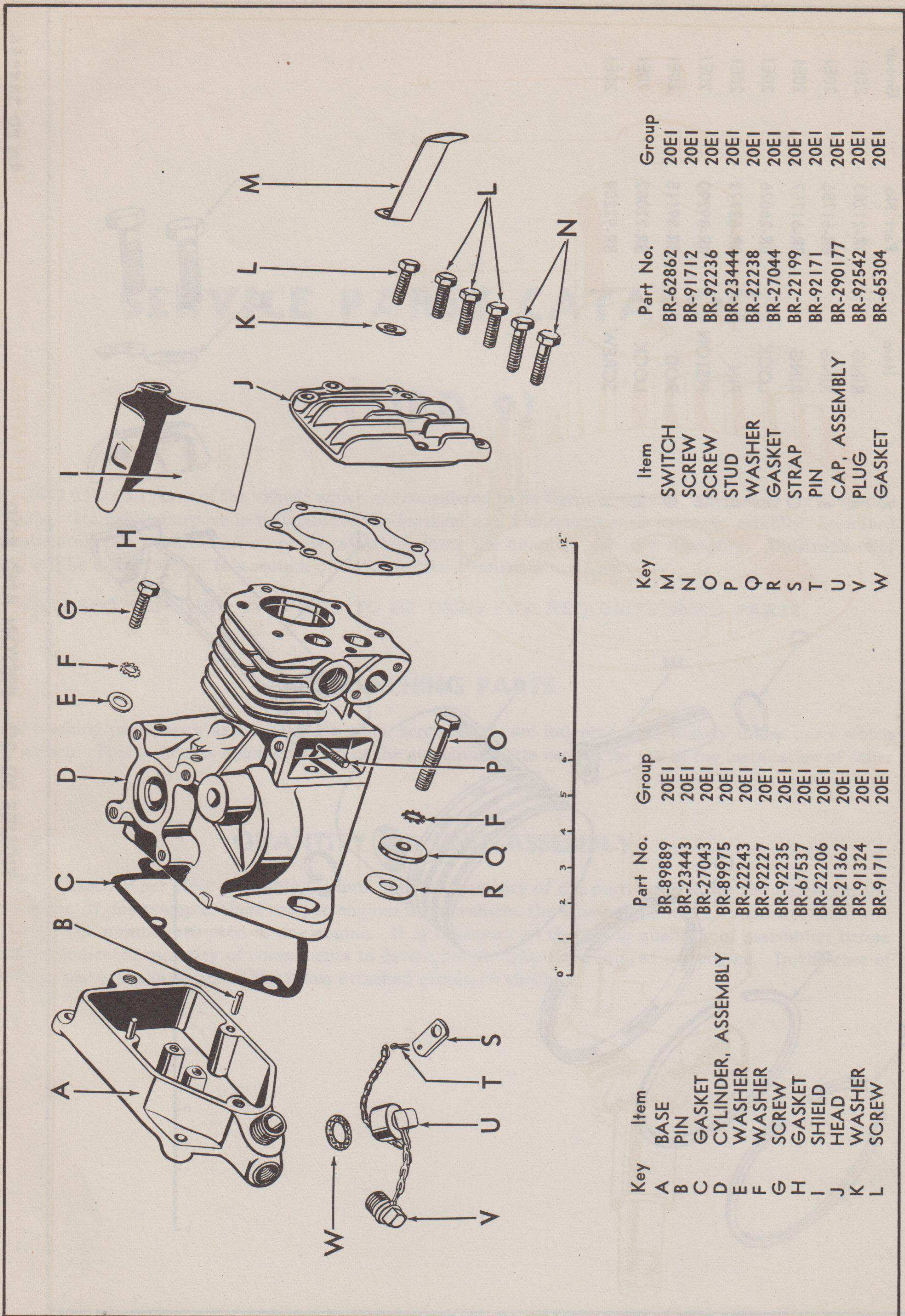
Figure Number	Official Stockage Number		Part Number		ITEM	Quant. Reqd. per Unit Assy.
	Order and Store by This Number	Col. 2	Col. 3	Col. 4		
Col. 1	Col. 2	Col. 3	Col. 4	Col. 5	Col. 6	
					20D1—PUMP ASSEMBLY	
20-17	G678-70-09371			YA-J803	SCREW, adjusting plunger flow control, fuel pump	1
20-17	G678-70-09364	Q83CC		YA-J1058	SCREW, retaining, fuel pump handwheel volume control, 3/16-30 x 3/4 in.	1
20-17	G678-70-09369			YA-J1617	SCREW, set (for pump end body coupling)	1
20-17	G678-70-09342			YA-J771	SPRING, control, fuel pump	1
20-17	G678-70-09379			ON-187-1 1/2	STRAINER, fuel, with 40 mesh brass screen, assembly	1
20-17				YA-J746	STUD, control lever, fuel pump	1
20-17	G678-70-09351			YA-J759	STUD, fuel pump, packing gland, 3/8-24 x 2 3/4	2
20-17				YA-J1059	WASHER, lock, fuel pump handwheel volume control	1
20-17				YA-J507	WASHER, plain, fuel pump handwheel volume control	1
20-17				YA-J743	WASHER, fuel pump control lever	1
20-17	G678-70-09372			YA-J505	WHEEL, hand, flow control adjusting, fuel pump	1
					20E1—ENGINE AND PARTS	
20-19				BR-89889	BASE, cast iron, engine	1
20-22	H001-15-30004			BR-89241	BLADE, engine governor (also in kit BR-290394)	1
	H001-10-26076	100716		BR-91753	SCREW, machine, oval-fil-hd., S., No. 8-32NC x 1 in. (also in KIT BR-290394)	2
	H001-15-18004	106496		BR-91661	WASHER, lock, reg., S., No. 8 (0.164) (0.169 I.D. x 0.263 O.D. 3/64 x 3/64 thick) (also in KIT BR-290394)	2
	H001-15-30004	114986		BR-38852	WASHER, plain, S., SAE std., No. 8 (0.164) 3/16 in. I.D. x 7/16 in. O.D. x 3/64 thick) (also in KIT BR-290394)	2
20-23	A054-01-24072			BR-21310	BODY, engine valve breather (also in KIT BR-290396)	1
	A054-01-18220			BR-89677	BUSHING, engine crankshaft and magneto w/OIL SEAL, assembly	1
				BR-62550	BUSHING, engine cylinder	1
20-19				BR-290177	CAP, oil filler, w/DRAIN PLUG, engine, assembly	1
20-23				BR-22216	COVER, engine breather valve (also in KIT BR-290396)	1
20-23				BR-22221	COVER, engine valve	1
20-18	1090-26499			BR-26499	CRANKSHAFT, engine	1
20-19				BR-89975	CYLINDER, engine, assembly	1
				BR-91838	ELBOW, engine exhaust muffler	1
	1090-205768			BR-205768	ENGINE, assembly, (complete model, NPR-2 x 2 Briggs and Stratton, optional with BR-206509 Engine Assembly, procure one type only)	1
					(Includes: 1—CAP, gas tank, non-spill type 1—CLEANER, air	

Col. 1	Col. 2	Col. 3	Col. 4	Col. 5	Col. 6
	A054-01-83053 A054-03-40799		BR-21611 BR-99876 BR-99714 BR-29693 BR-89987 BR-89966 BR-206509	1—ELBOW, air cleaner 1—CARBURETOR 1—FILTER, fuel 1—PLUG, spark 1—TANK, gas 1—MUFFLER) ENGINE, assembly (complete model NPR-2 x 2 Briggs and Stratton, equipped with Stellite valves, optional with BR-205768 Engine Assembly, procure one type only)	1 1 1 1 1 1 1
20-18 20-19 20-19 20-19 20-19 20-25	1090-89966 1090-206509 A054-01-94385 A054-01-94365 G509-01-93814		BR-29835 BR-27044 BR-67537 BR-27043 BR-65304 BR-27045 BR-67597 BR-67607 BR-67307 BR-67527 BR-290289	FLYWHEEL, engine GASKET, engine base to cylinder screw (also in SET BR-290289) GASKET, engine cylinder head (also in SET BR-290289) GASKET, engine base (also in SET BR-290289) GASKET, oil filler cap GASKET, engine intake manifold (also in SET BR-290289) GASKET, magneto to engine crankcase .005 thick (also in SET BR-290289) GASKET, magneto to engine crankcase .009 thick (also in SET BR-290289) GASKET, magneto to engine crankcase .015 thick (also in SET BR-290289) GASKET, engine valve cover (also in KIT BR-290396 and SET BR-290289) GASKET SET, engine overhaul	1 1 1 1 1 2 1 1 1 1 1 1
20-23	A054-01-94451 A054-01-94452 A054-01-94450 A054-01-94472 1090-290289		BR-67537 BR-27043 BR-27044 BR-67527 BR-68477 BR-27139 BR-27138 BR-27045 BR-68987 BR-65938 BR-68957 BR-67307 BR-67597 BR-67607	(Consists of: ◆ 1—GASKET, cylinder head ◆ 1—GASKET, engine base ◆ 1—GASKET, base to cylinder screw ◆ 1—GASKET, valve cover ◆ 1—GASKET, fuel filter bowl ◆ 1—GASKET, gear case to engine ◆ 1—GASKET, gear case ◆ 2—GASKET, intake manifold ◆ 1—GASKET, carburetor to elbow ◆ 1—GASKET, fuel tank cap ◆ 1—GASKET, air cleaner to elbow ◆ 1—GASKET, magneto to engine crankcase, .015 thick ◆ 1—GASKET, magneto to engine crankcase, .005 thick ◆ 1—GASKET, magneto to engine crankcase, .009 thick)	
20-19 20-19 20-19 20-23 20-26 20-29 20-29 20-25 20-25	A054-01-94365 G509-01-93814 A054-01-94385 A054-01-94472 A054-01-94435		BR-27139 BR-27138 BR-27045 BR-68987 BR-65938 BR-68957 BR-67307 BR-67597 BR-67607 BR-21277 BR-21362 BR-61760 BR-290394	GEAR, cam, engine HEAD, cylinder engine KEY, shear, engine flywheel to camshaft KIT, repair, engine governor (Consists of: ◆ 1—BLADE, governor ◆ 1—LINK, throttle connecting ◆ 2—SCREW, machine, oval-fil-hd., S., No. 8-32NC x 1 (attaching governor blade) ◆ 1—SPRING, throttle, return ◆ 2—WASHER, plain, S., SAE std. No. 8 (0.164) 3/16 in. I.D. x 7/16 in.)	1 1 1 1 1
	A054-01-94250 A054-01-94450 A054-01-94451 A054-01-94452		BR-89241 BR-26391 BR-91753 BR-26393 BR-38852		
20-23 20-19 20-18	A054-02-11490 A054-02-58271 1090-290394		BR-21277 BR-21362 BR-61760 BR-290394		
	H001-10-26076 H001-15-30004	100716 114986			
				◆ Also listed separately	



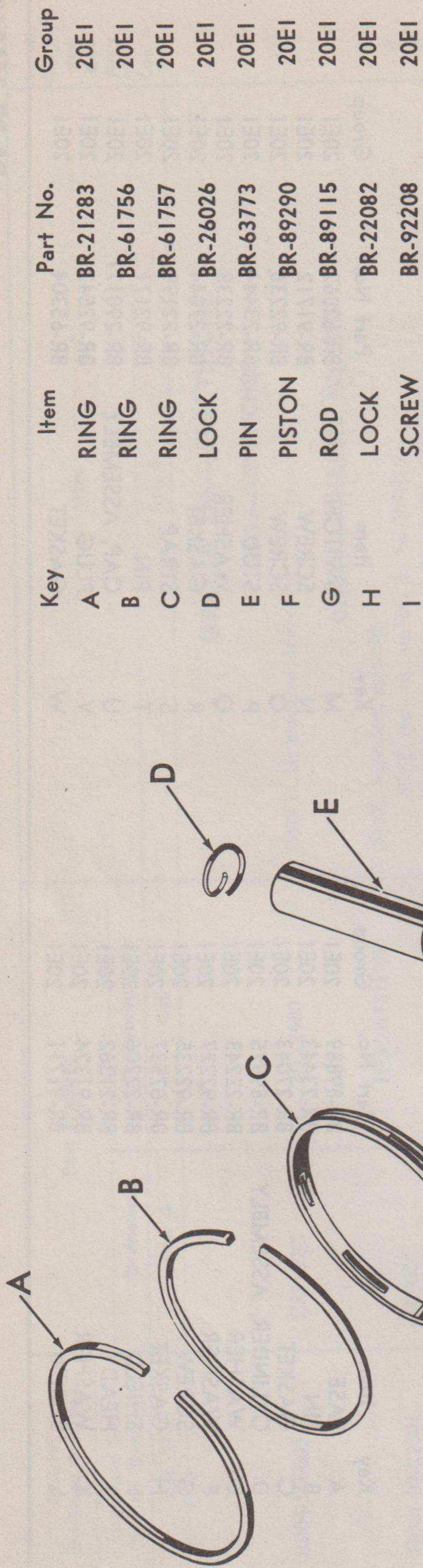
Key	Item	Part No.	Group
A	CRANKSHAFT	BR-26499	20EI
B	KEY	BR-61760	20EI
C	FLYWHEEL	BR-29835	20EI
D	PULLEY	BR-62693	20EI
E	WASHER	BR-62577	20EI
F	NUT	BR-91708	20EI

FIGURE 20-18—ENGINE CRANKSHAFT AND FLYWHEEL



Key	Item	Part No.	Group
A	BASE	BR-89889	20EI
B	PIN	BR-23443	20EI
C	GASKET	BR-27043	20EI
D	CYLINDER, ASSEMBLY	BR-89975	20EI
E	WASHER	BR-22243	20EI
F	WASHER	BR-92227	20EI
G	SCREW	BR-92235	20EI
H	GASKET	BR-67537	20EI
I	SHIELD	BR-22206	20EI
J	HEAD	BR-21362	20EI
K	WASHER	BR-91324	20EI
L	SCREW	BR-91711	20EI
M	SWITCH	BR-62862	20EI
N	SCREW	BR-91712	20EI
O	SCREW	BR-92236	20EI
P	STUD	BR-23444	20EI
Q	WASHER	BR-22238	20EI
R	GASKET	BR-27044	20EI
S	STRAP	BR-22199	20EI
T	PIN	BR-92171	20EI
U	CAP, ASSEMBLY	BR-290177	20EI
V	PLUG	BR-92542	20EI
W	GASKET	BR-65304	20EI

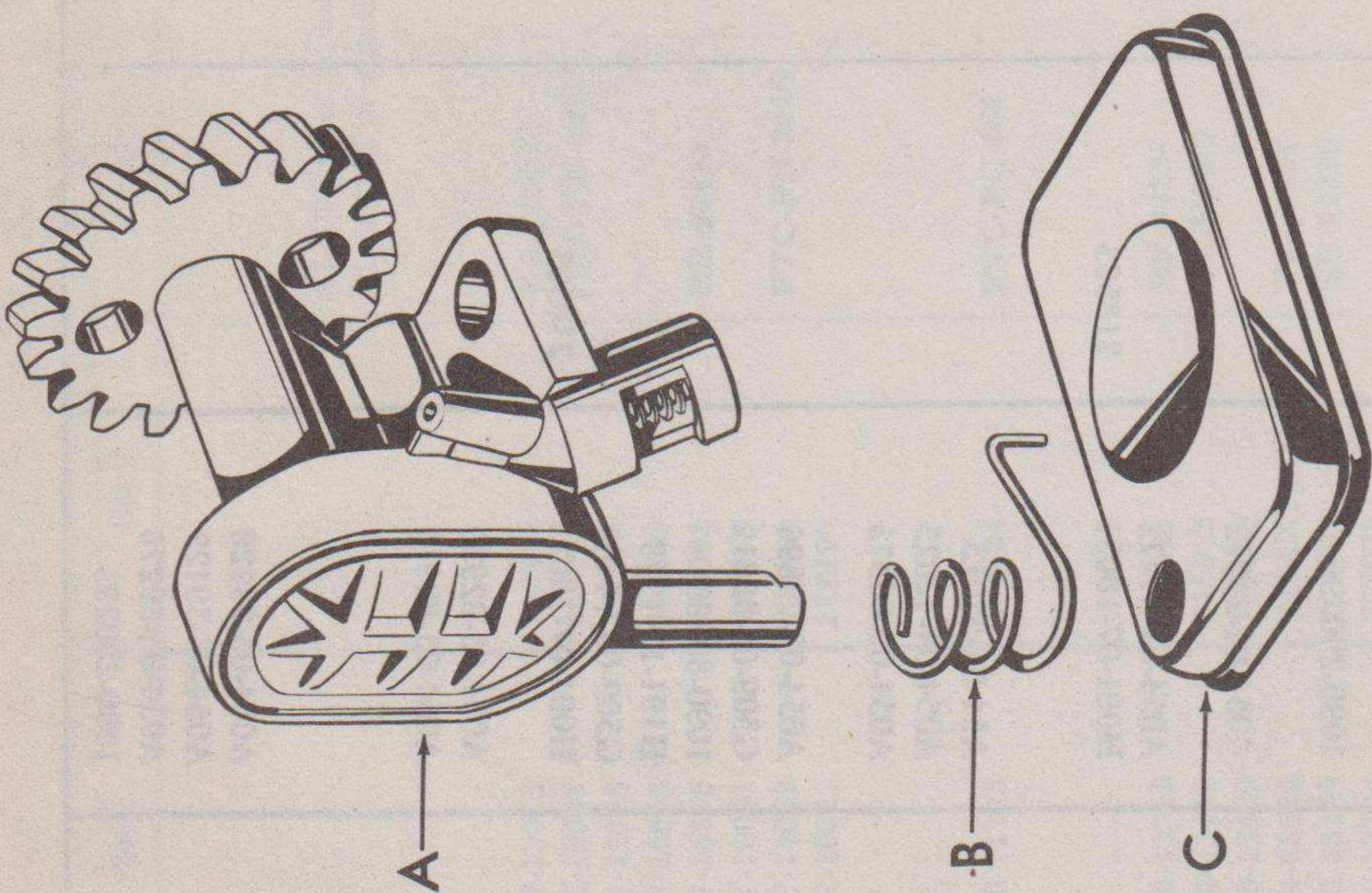
FIGURE 20-19—ENGINE ASSEMBLY



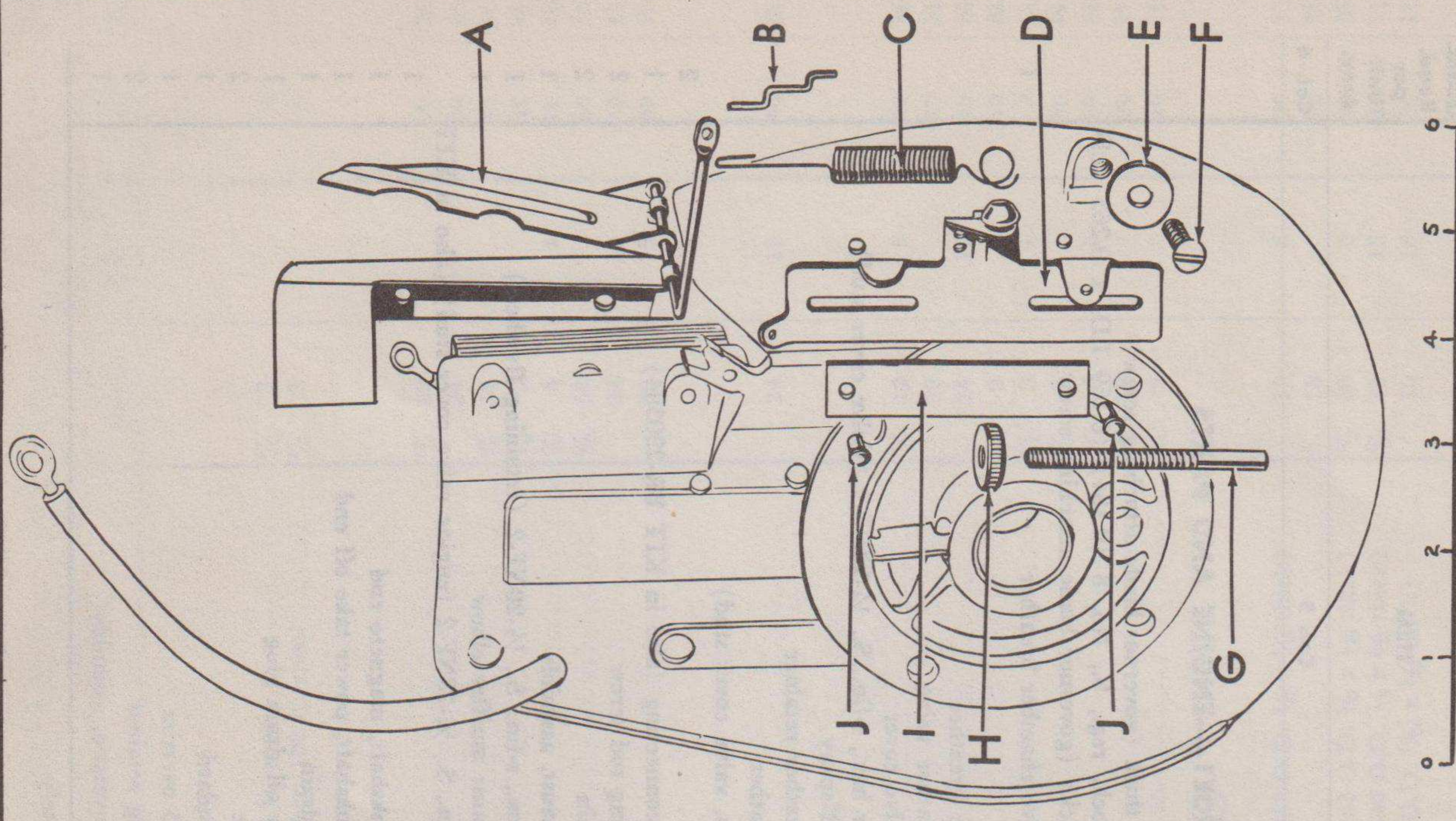
Key	Item	Part No.	Group
A	RING	BR-21283	20E1
B	RING	BR-61756	20E1
C	RING	BR-61757	20E1
D	LOCK	BR-26026	20E1
E	PIN	BR-63773	20E1
F	PISTON	BR-89290	20E1
G	ROD	BR-89115	20E1
H	LOCK	BR-22082	20E1
I	SCREW	BR-92208	20E1

FIGURE 20-20—PISTON AND ROD

RA PD 344054



Key	Item	Part No.	Group
A	PUMP ASSY.	BR-89676	20EI
B	SPRING	BR-26485	20EI
C	SCREEN	BR-89688	20EI



Key	Item	Part No.	Group
A	PLATE	BR-89241	20EI
B	LINK	BR-26391	20EI
C	SPRING	BR-26393	20EI
D	ADJUSTER	BR-99874	20FI
E	WASHER	BR-66432	20FI
F	SCREW	BR-90202	20FI
G	SCREW	BR-23069	20FI
H	NUT	BR-23068	20FI
I	PLATE	BR-62641	20FI
J	RIVET	BR-37346	20FI

RA PD 344074

FIGURE 20-21—OIL PUMP

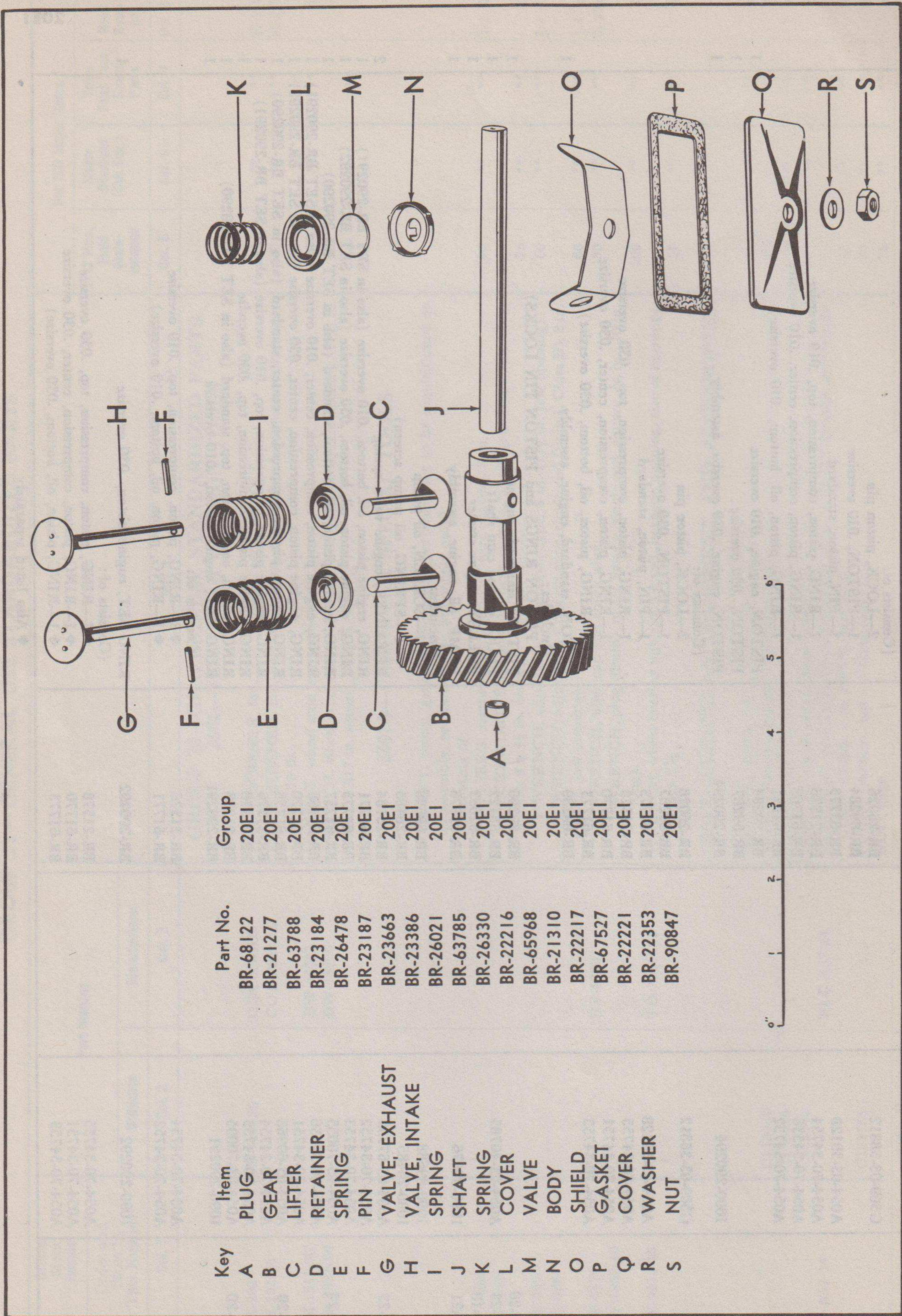
FIGURE 20-22—GOVERNOR

RA PD 344055

GROUP 20—PUMP AND ENGINE

Figure Number	Official Stockage Number		Part Number		Quant. Reqd. per Unit Assy.
	Order and Store by This Number	Col. 2	Col. 3	Col. 4	
Col. 1	Col. 2	Col. 3	Col. 4	Col. 5	Col. 6
				ITEM	
				20E1—ENGINE AND PARTS	
				O.D. x 3/64 in. thick (governor blade attaching screw)	
				◆ 2—WASHER, lock, reg., S., No. 8 (0.164) (0.169 I.D. x 0.263 O.D. x 3/64 x 3/64 thick) (governor blade attaching screw)	1
				KIT, repair, engine valve chamber breather	
				(Consists of:	
				◆ 1—BODY, valve breather	
				◆ 1—COVER, breather valve	
				◆ 1—GASKET, valve cover	
				◆ 1—NUT, regular hex., s-fin., S., 1/4-28NF-2 (Valve cover stud)	
				◆ 1—SHIELD—oil spray	
				◆ 1—SPRING, breather retainer	
				◆ 1—VALVE, breather	
				◆ 1—Washer, fibre, valve cover stud)	
				LIFTER, engine valve	2
20-23	A54-01-52015			LINK, engine throttle connecting (also in KIT BR-290394)	1
20-22	A054-04-42825			LOCK, engine connecting rod screw	2
20-20	A054-02-79896			LOCK, engine piston pin	2
20-20	G509-03-38812			MUFFLER, engine exhaust, assembly	1
20-18	1090-89966			NUT, left hand thd., hex., s-fin., S., 1/2-20NF-2 (retaining flywheel)	1
	H101-12-1978			NUT, lock, engine exhaust muffler elbow	1
	G509-03-14402			NUT, regular, hex., s-fin., S., 1/4-28NF-2 (engine valve cover stud) (also in KIT BR-290396)	1
20-23	H001-07-18021	218563	BR-90847	OIL SEAL, engine crankshaft, magneto end	1
	A054-03-82930		BR-89660	OIL SEAL, engine crankshaft, power take off end	1
	A054-03-82911		BR-89976	PLUG, engine base oil drain	1
20-19			BR-92542	PIN, cotter, engine base oil drain plug	1
20-19			BR-92171	PIN, dowel, engine base	1
20-19			BR-23443	PIN, engine piston, standard	2
20-20	A054-03-39128		BR-63773	PIN, engine piston, .005 oversize	1
	A054-03-39129		BR-63816	PIN, engine valve spring retainer	1
	A054-03-39270		BR-23187	PISTON, engine, .010 oversize, assembly	2
20-23	1090-290293		BR-290293		1

◆ Also listed separately



Key	Item	Part No.	Group
A	PLUG	BR-68122	20E1
B	GEAR	BR-21277	20E1
C	LIFTER	BR-63788	20E1
D	RETAINER	BR-23184	20E1
E	SPRING	BR-26478	20E1
F	PIN	BR-23187	20E1
G	VALVE, EXHAUST	BR-23663	20E1
H	VALVE, INTAKE	BR-23386	20E1
I	SPRING	BR-26021	20E1
J	SHAFT	BR-63785	20E1
K	SPRING	BR-26330	20E1
L	COVER	BR-22216	20E1
M	VALVE	BR-65968	20E1
N	BODY	BR-21310	20E1
O	SHIELD	BR-22217	20E1
P	GASKET	BR-67527	20E1
Q	COVER	BR-22221	20E1
R	WASHER	BR-22353	20E1
S	NUT	BR-90847	20E1

FIGURE 20-23—VALVES

GROUP 20—PUMP AND ENGINE

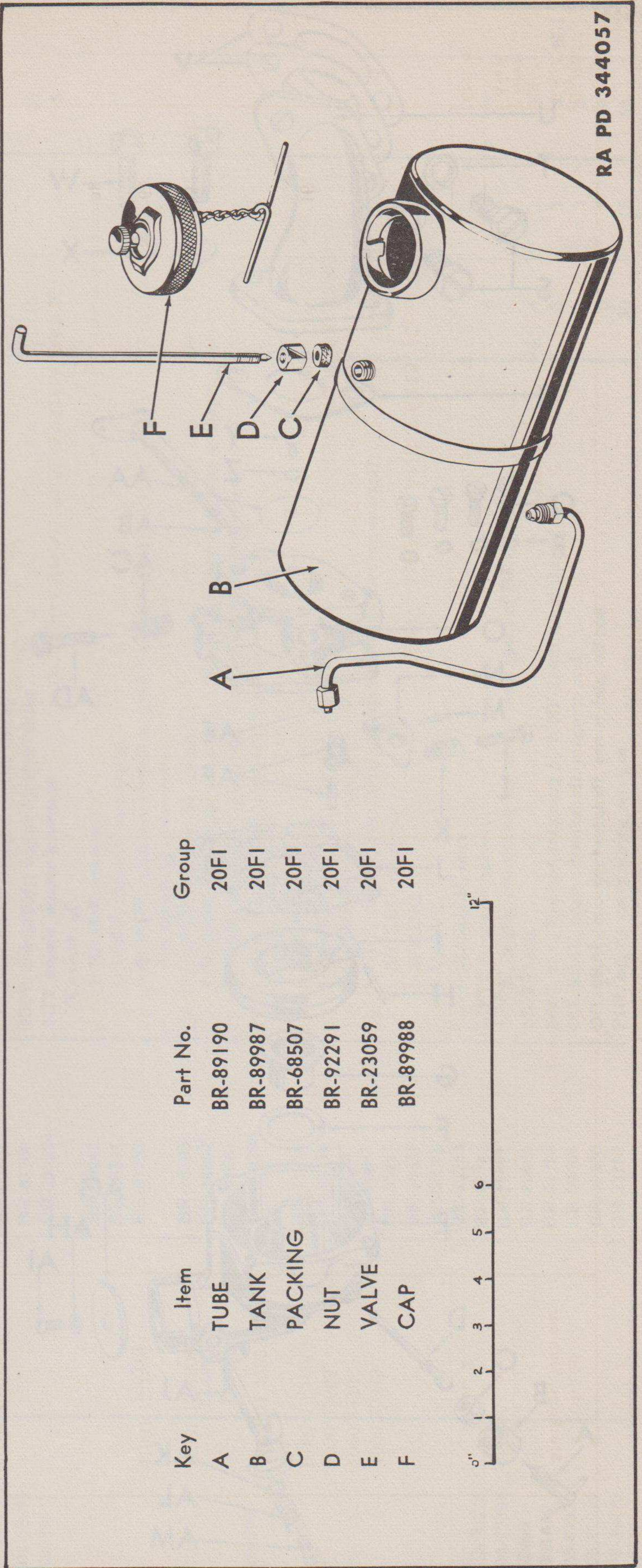
Figure Number	Official Stockage Number		Part Number		ITEM	Quant. Reqd. per Unit Assy.
	Order and Store by This Number	Col. 2	Col. 3	Col. 4		
Col. 1	Col. 2		Col. 3	Col. 4	Col. 5	Col. 6
	1090-290290			BR-290290	20E1—ENGINE AND PARTS (Cont'd) RING SET, engine piston, standard	1
20-20	A054-03-70095 A054-03-69968 A054-03-70055 1090-89115			BR-21283 BR-61756 BR-61757 BR-89115	(Consists of: ◆ 1—RING, piston, compression, top, standard ◆ 1—RING, piston, compression, center, standard ◆ 1—RING, piston, oil, bottom, standard) ROD, engine connecting, assembly	1
20-21	A054-02-79896 60-S-260-280 1090-29878 1090-89688			BR-22082 BR-92208 BR-29878 BR-89688	(Includes: 2—LOCK, connecting rod screw 2—SCREW, connecting rod) ROPE, starter, w/HANDLE, assembly SCREEN, oil pump	1
20-19	H001-10-13249		216795	BR-92236	SCREW, cap, hex-hd., S, 3/8-24NF2-2 (engine base to cylinder)	1
20-19	1090-91712			BR-91712	SCREW, cap, hex-hd., special heat treated, long (cylinder head to cylinder)	2
20-19	1090-91711			BR-91711	SCREW, cap, hex-hd., special heat treated, short (cylinder head to cylinder)	4
20-19	1090-92235			BR-92235	SCREW, cap, slotted, hex-hd., S, 3/8-24NF-2 x 1 1/4 in. (engine base to cylinder)	1
20-20	60-S-260-280			BR-92208	SCREW, engine connecting rod	2
20-19	H001-10-13002		216914	BR-91419	SCREW, cap, hex-hd., S, 1/4-20 x 5/8 in. (engine base)	2
20-19	H001-10-30134		113955	BR-90916	SCREW, machine, rd-hd., S, 1/4-20NC-2 x 1/2 in. (engine blower housing)	2
20-23	1090-21613			BR-21613	SEAT, valve, stellite, engine (used on ENGINE Model BR-206509)	1
20-19	A054-03-84778			BR-63785	SHAFT, engine cam	2
20-19	1090-91711			BR-22206	SHIELD, engine cylinder	1
20-19	H001-15-18007		103319	BR-91711	SCREW, cap, hex-hd., special heat treated short	1
20-23	1090-26478			BR-91324	WASHER, lock, reg., S, 1/4 in. (0.265 I.D. x 0.453 O.D. 3/32 x 1/16 thick)	1
20-23	G509-03-89503			BR-22217	SHIELD, engine oil spray (also in KIT BR-290396)	1
20-21	1090-26485			BR-26330	SPRING, engine breather retainer (also in KIT BR-290396)	1
20-22				BR-26478	SPRING; engine exhaust valve	1
20-19				BR-26021	SPRING, engine intake valve	1
20-19				BR-26485	SPRING, engine oil pump screen	1
20-23				BR-26393	SPRING, throttle, return (also in KIT BR-290394)	1
20-19				BR-22199	STRAP, engine filler cap	1
20-19				BR-23444	STUD, engine valve cover	1
20-19				BR-62862	SWITCH, stop, engine	1
20-23	A054-01-52015 1090-23663			BR-65968 BR-23663	VALVE, breather (also in KIT BR-290396) VALVE, exhaust (used on ENGINE Model BR-205768)	1 1

◆ Also listed separately

GROUP 20—PUMP AND ENGINE

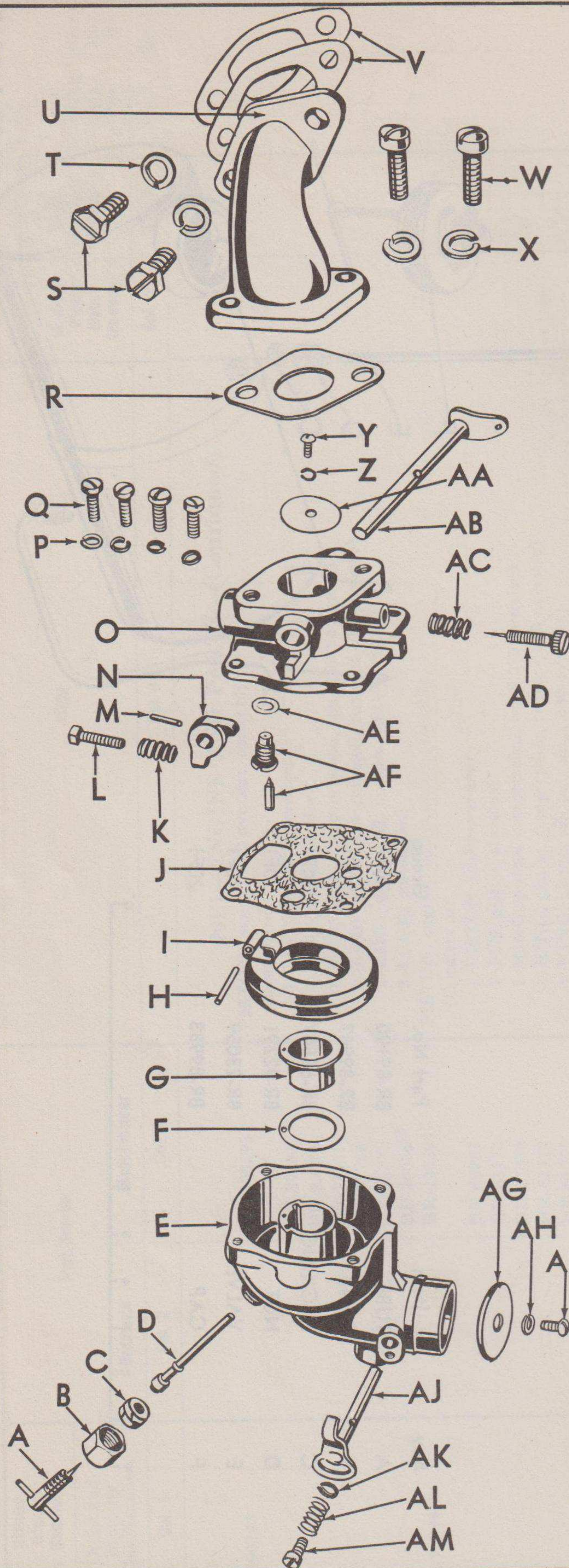
Figure Number	Official Stockage Number Order and Store by This Number	Part Number		ITEM	Quant. Reqd. per Unit Assy.
		Ordnance	Manufacturer		
Col. 1	Col. 2	Col. 3	Col. 4	Col. 5	Col. 6
20E1—ENGINE AND PARTS (Cont'd)					
20-23	1090-26515		BR-26515	VALVE, exhaust, stellite (used on ENGINE Model BR-206509)	1
20-23	1090-23386		BR-23386	VALVE, intake (used on ENGINE Model BR-205768)	1
20-23	1090-23663		BR-23663	VALVE, intake, stellite (used on ENGINE, Model BR-206509)	1
20-23	H001-15-18007	103319	BR-90832	WASHER, lock, reg., S., 1/4 in. (0.265 I.D. x 0.453 O.D. 3/32 x 1/16 thick) (engine blower housing)	2
20-23	A054-04-42825		BR-22353	WASHER, fibre, engine valve cover	1
20-19			BR-22238	WASHER, flat, special, S., (engine base to cylinder screw)	1
20-19			BR-22243	WASHER, flat, special, S., (engine base to cylinder screw)	1
20-19	H001-15-18009	103321	BR-92227	WASHER, lock, reg., S., 3/8 in. (0.390 I.D. x 0.640 O.D. 1/8 x 3/32 thick) (engine base to cylinder screw)	2
20-18	H001-15-18004	106496	BR-91661	WASHER, lock, reg., S., No. 8 (0.164) (0.169 I.D. x 0.263 O.D. 3/64 x 3/64 thick) (also in KIT BR-290394)	2
			BR-62577	WASHER, plain, S., SAE std., 1/2 I.D. x 1 1/2 O.D. (flywheel retaining)	
20F1—ENGINE FUEL SYSTEM PARTS					
20-22			BR-99874	ADJUSTER, speed, engine	1
20-22	H001-10-26465	100660	BR-90202	SCREW, machine, oval-fil-hd., S., No. 10 (0.190)-32NF-2 x 1/2 in.	
20-22	H001-15-18005	106497	BR-66432	WASHER, lock, reg., S., No. 10 (0.190) (0.200 I.D. x 0.325 O.D. 1/16 x 3/64 thick)	
20-25	A054-01-24175		BR-21129	BODY, carburetor, lower	1
20-25			BR-99634	BODY, carburetor, upper	1
20-25	H001-10-24076	100924	BR-90200	SCREW, machine, oval-fil-hd., br., No. 8 (0.164)-32NC-2 x 1 in. (carburetor body mounting) (also in KIT BR-290296)	1
20-25	H001-15-18004	106496	BR-91661	WASHER, lock, reg., S., No. 8 (0.164) (0.169 I.D. x 0.263 O.D. 3/64 x 3/64 thick (carburetor body screws) (also in KIT BR-290296)	4
20-26	A054-01-24226		BR-89495	BODY, carburetor, upper, assembly	4
20-27	A054-01-24507		BR-68487	BOWL, engine fuel filter (also in KIT BR-290297)	1
20-27			BR-22125	BRACE, air cleaner elbow	1
20-27			BR-22279	BRACE, carburetor elbow, lower	1
20-24	1090-89988		BR-23230	BUSHING, carburetor throttle shaft	2
20-25			BR-89988	CAP, engine fuel tank, w/CHAIN, assembly	1
20-25	H001-10-23135	113991	BR-99876	CARBURETOR, engine, assembly (also in Service Assy. BR-290295)	1
20-25	H001-15-18007	103319	BR-92089	SCREW, machine, fl-hd., S., 1/4-20NC-2 x 3/4 (also in KIT BR-290295)	2
			BR-92151	WASHER, lock, reg., S., 1/4 in. (0.265 I.D. x 0.453 O. D. 3/32 x 1/16 thick) (also in KIT BR-290295)	2

Col. 1	Col. 2	Col. 3	Col. 4	Col. 5	Col. 6
	1090-290295		BR-290295	CARBURETOR, service, assembly (Consists of:	1
20-25	A054-01-94338 H1001-10-23185 H001-15-18007	113991 103319	BR-99876 BR-68987 BR-92089 BR-92151	1—CARBURETOR, assembly 1—GASKET, flange 2—SCREW, machine, fl-hd., S., 1/4-20NC-2 x 3/4 (attaching carburetor) 2—WASHER, lock, reg., S., 1/4 in. (0.265 I.D. x 0.453 O.D. 3/32 x 1/16 thick) (carburetor attaching screw)	
20-27			BR-89980	CLEANER, air engine	1
20-27			BR-290452	CLEANER, air, assembly (also in KIT BR-290466)	1
20-26			BR-99879	COVER, engine fuel filter	1
20-27			BR-21611	ELBOW, engine air cleaner	1
20-25			BR-21136	ELBOW, carburetor intake	1
20-25			BR-92451	SCREW, hex-hd., slotted, S., 1/4-20 x 3/4 in.	2
20-25	H001-15-30007	103339	BR-90832	WASHER, plain, S., SAE std., 1/4 in. (9/32 in. I.D. x 5/8 in. O.D. x 1/16 in. thick)	2
20-25	A054-01-84932		BR-99622	FLOAT, carburetor	1
20-26	A054-01-83053		BR-99714	FILTER, fuel, engine, assembly	1



RA PD 344057

FIGURE 20-24—FUEL TANK

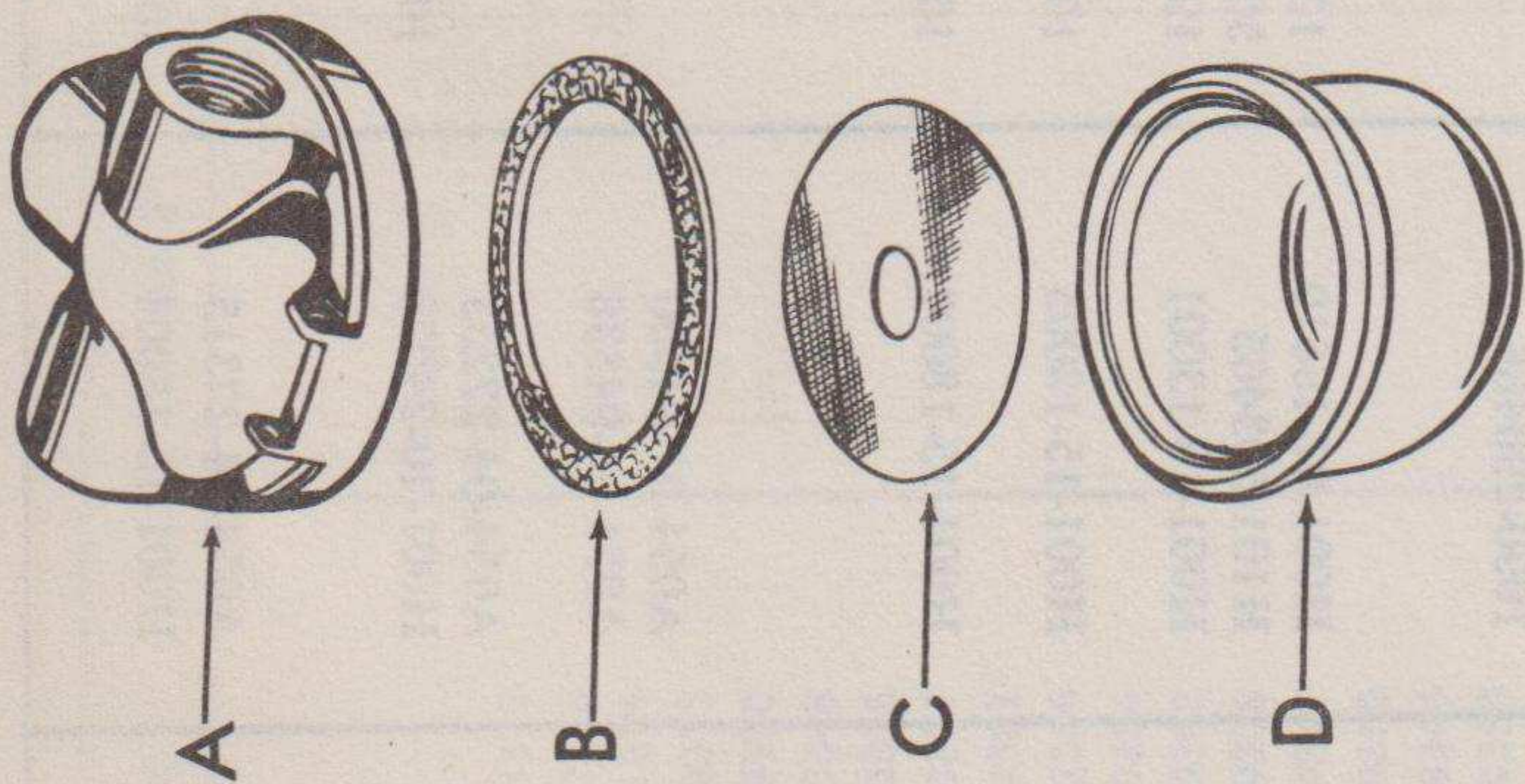


Key	Item	Part No.	Group
A	VALVE	BR-99621	20FI
B	NUT	BR-23227	20FI
C	PACKING	BR-68887	20FI
D	NOZZLE	BR-23222	20FI
E	BODY	BR-21129	20FI
F	GASKET	BR-68897	20FI
G	VENTURRI	BR-21110	20FI
H	PIN	BR-23114	20FI
I	FLOAT	BR-99622	20FI
J	GASKET	BR-68857	20FI
K	SPRING	BR-26157	20FI
L	SCREW	BR-91920	20FI
M	PIN	BR-23125	20FI
N	STOP	BR-61967	20FI
O	BODY	BR-99634	20FI
P	WASHER	BR-91661	20FI
Q	SCREW	BR-90200	20FI
R	GASKET	BR-68987	20FI
S	SCREW	BR-92451	20FI
T	WASHER	BR-90832	20FI
U	ELBOW	BR-21136	20FI
V	GASKET	BR-27045	20FI
W	SCREW	BR-92089	20FI
X	WASHER	BR-92151	20FI
Y	SCREW	BR-90029	20FI
Z	WASHER	BR-90369	20FI
AA	VALVE	BR-22036	20FI
AB	SHAFT	BR-99868	20FI
AC	SPRING	BR-26157	20FI
AD	VALVE	BR-23228	20FI
AE	GASKET	BR-68877	20FI
AF	KIT	BR-99636	20FI
AG	VALVE	BR-22050	20FI
AH	WASHER	BR-90369	20FI
AI	SCREW	BR-90029	20FI
AJ	SHAFT	BR-99700	20FI
AK	WASHER	BR-22062	20FI
AL	SPRING	BR-26229	20FI
AM	SCREW	BR-23270	20FI



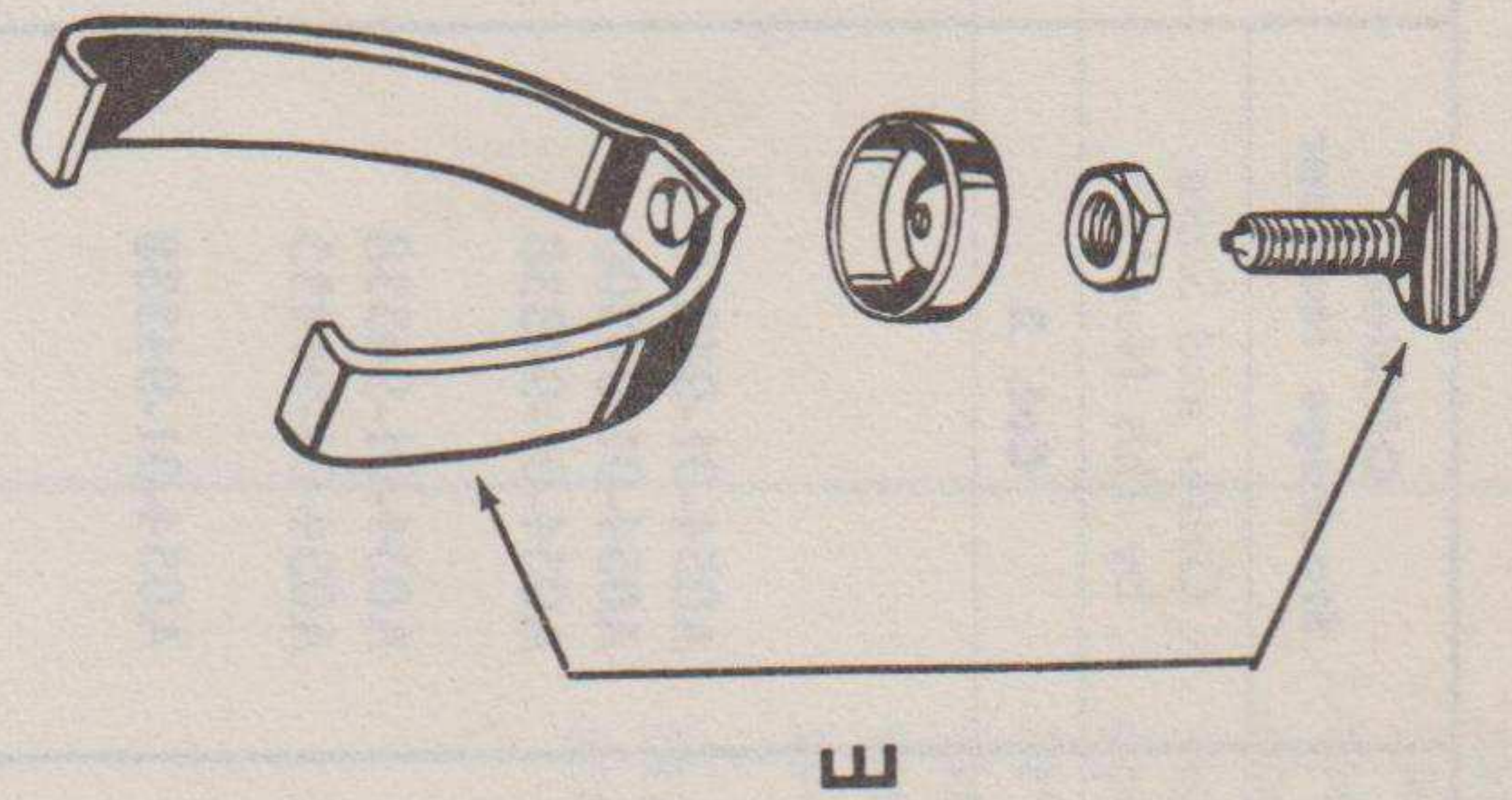
FIGURE 20-25—CARBURETOR

RA PD 344058



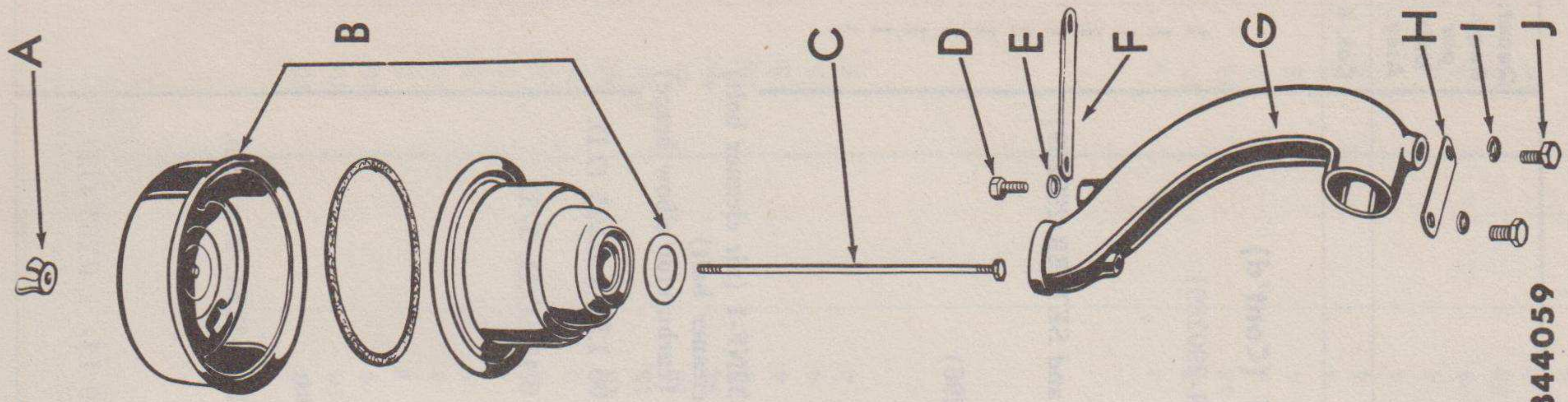
Key
A
B
C
D

Item	Part No.	Group
NUIT	BR-92067	20FI
CLEANER ASSEMBLY	BR-89980	20FI
STUD	BR-23711	20FI
SCREW	BR-92125	20FI
WASHER	BR-92151	20FI
BRACE	BR-22125	20FI
ELBOW	BR-21611	20FI
BRACE	BR-22279	20FI
WASHER	BR-92151	20FI
SCREW	BR-92125	20FI



Key
A
B
C
D
E

Item	Part No.	Group
COVER	BR-99879	20FI
GASKET	BR-68477	20FI
SCREEN	BR-62876	20FI
BOWL	BR-68487	20FI
YOKE	BR-99665	20FI



Item	Part No.	Group
NUIT	BR-92067	20FI
CLEANER ASSEMBLY	BR-89980	20FI
STUD	BR-23711	20FI
SCREW	BR-92125	20FI
WASHER	BR-92151	20FI
BRACE	BR-22125	20FI
ELBOW	BR-21611	20FI
BRACE	BR-22279	20FI
WASHER	BR-92151	20FI
SCREW	BR-92125	20FI

RA PD 344059

FIGURE 20-27—AIR FILTER

FIGURE 20-26—FUEL FILTER

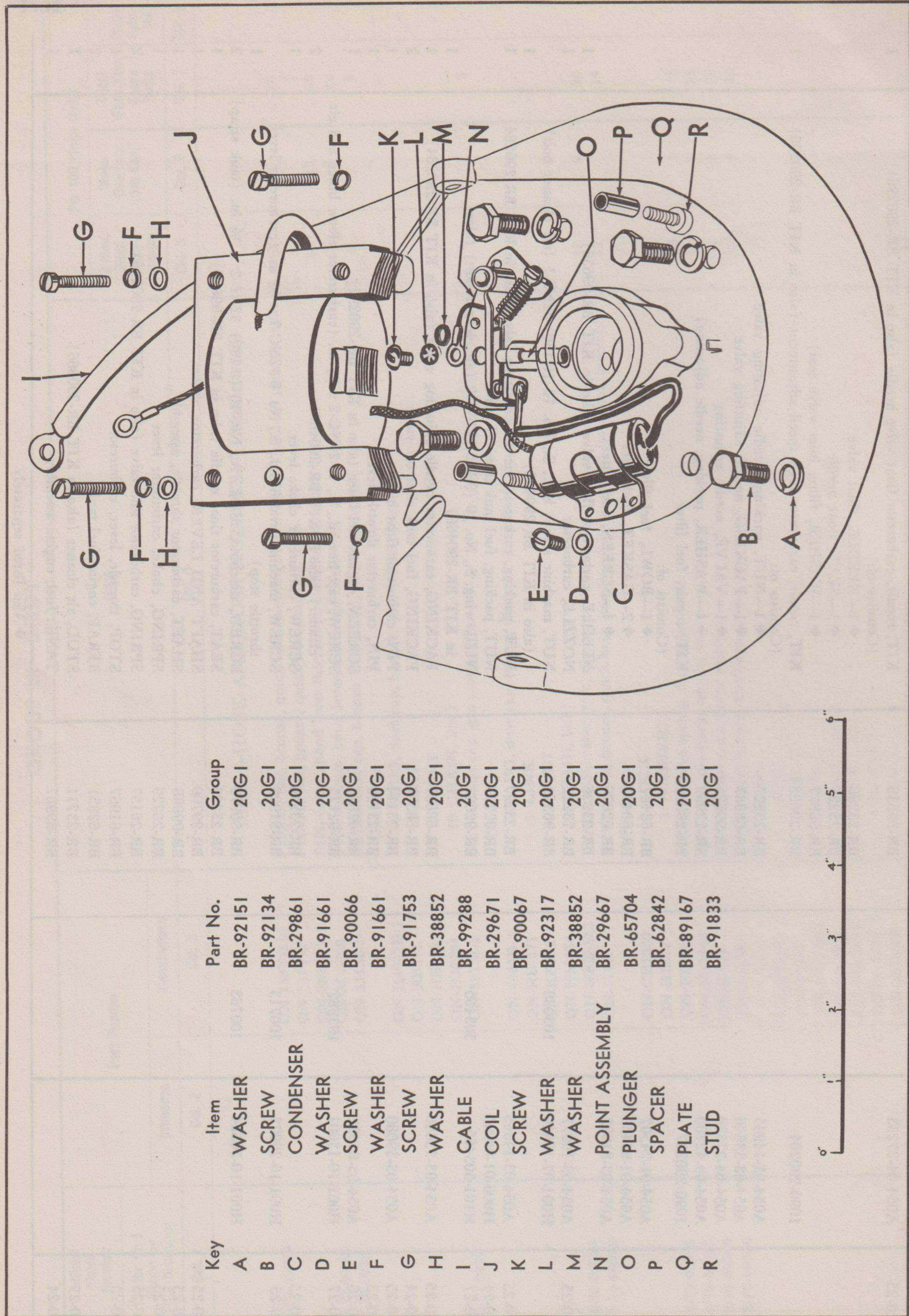
RA PD 344075

GROUP 20—PUMP AND ENGINE

Figure Number	Official Stockage Number Order and Store by This Number	Part Number		ITEM	Quant. Reqd. per Unit Assy.
		Ordinance	Manufacturer		
Col. 1	Col. 2	Col. 3	Col. 4	Col. 5	Col. 6
				20F1—ENGINE FUEL SYSTEM PARTS (Cont'd)	
20-25	A054-01-94250		BR-68957	GASKET, engine air cleaner to elbow (also on SET BR-290289)	1
20-25	A054-01-94300		BR-68857	GASKET, carburetor body (also in KIT BR-290296)	1
20-25	A054-01-94338		BR-68987	GASKET, flange, carburetor mounting	1
20-25	A054-01-94338		BR-65938	GASKET, fuel tank cap (also in SET BR-290289)	1
20-26	A054-01-94435		BR-68987	GASKET, carburetor to elbow (also in KIT BR-290295 and SET BR-290289)	2
20-25	A054-01-94435		BR-68477	GASKET, engine fuel filter (also in KIT BR-290297)	1
20-25	A054-01-94338		BR-68877	GASKET, engine inlet valve	1
			BR-68987	GASKET, engine intake manifold (also in KIT BR-290296)	1
			BR-68897	GASKET, venturi, carburetor	1
			BR-89386	HOUSING, blower, engine	1
			BR-290466	KIT, replacement, air cleaner	1
	1090-290466			(Consists of:	
			BR-290452	◆ 1—CLEANER, air, assembly	
	H001-07-16610	103088	BR-90319	◆ 1—NUT, machine screw, hex., S., No. 10 (0.190)-32NF-1 (air cleaner bolt)	
	H101-503465	503465	BR-92067	◆ 1—NUT, wing, S., No. 10 (0.190)-32NF-2 (air cleaner bolt)	
	H001-10-13001	193982	BR-92125	◆ 1—SCREW, cap, hex-hd., S., 1/4-20NC-2 x 1/4 in. (carburetor elbow brace)	
			BR-23711	◆ 1—STUD, air cleaner	
	H001-15-18005	106497	BR-91407	◆ 1—WASHER, lock, reg., S., No. 10 (0.190) (0.200 I.D. x 0.325 O.D. 1/16 x 3/64 thick) (air cleaner bolt)	
	H001-15-18007	103319	BR-92151	◆ 1—WASHER, lock, reg., S., 1/4 in. (0.265 I.D. x 0.453 O.D. 3/32 x 1/16 thick) (carburetor elbow brace screw)	
			BR-290296	KIT, repair, carburetor, overhaul	
				(Consists of:	
	A054-01-94300		BR-68857	◆ 1—GASKET, carburetor body	
	A054-01-94338		BR-68987	◆ 1—GASKET, intake manifold	
	A054-04-27253		BR-290284	◆ 1—KIT, repair carburetor high speed adjustment	
	H001-10-24076	100924	BR-99636	◆ 1—KIT, repair, float valve needle	
			BR-90200	◆ 4—SCREW, machine, oval-fil-hd., br., No. 8 (0.164)-32NC-2 x 1 in. (carburetor body mounting)	
			BR-26157	◆ 1—SPRING, idle valve	
	A054-04-27315		BR-23228	◆ 1—VALVE, carburetor idle	
	H001-15-18004	106496	BR-91661	◆ 4—WASHER, lock, reg., S., No. 8 (0.164) (0.169 I.D. x 0.263 O.D. 3/64 x 3/64 thick) (carburetor body screw)	
				◆ Also listed separately	

Col. 1	Col. 2	Col. 3	Col. 4	Col. 5	Col. 6
20-25	A054-04-27253		BR-99636	KIT, repair, carburetor float valve needle (also in KIT BR-290296) (Consists of: ◆ 1—NEEDLE, float valve ◆ 1—SEAT, float needle ◆ 1—WASHER, fibre, inlet valve seat)	1
	1090-290284		BR-23226 BR-23225 BR-68877 BR-290284	KIT, repair, carburetor high speed adjustment (also in KIT BR-290296) (Consists of: ◆ 1—NUT, packing, needle adjusting valve ◆ 1—PACKING, needle adjusting valve ◆ 1—VALVE, needle adjusting ◆ 1—WASHER, packing, needle adjusting)	1
	A054-03-14945 A054-03-33646 A054-04-27330 A054-04-42780 1090-290297		BR-23227 BR-68887 BR-99621 BR-22032 BR-290297	KIT, repair, fuel filter (Consists of: ◆ 1—BOWL, fuel filter ◆ 2—GASKET, fuel filter ◆ 1—SCREEN, fuel filter)	
20-25	A054-01-24507 A054-01-94435 A054-03-81692		BR-68487 BR-68477 BR-62876	NEEDLE, carburetor float valve (also in KIT BR-99636) NOZZLE, carburetor	1 1
20-25	A054-03-10977 H001-07-16610	103088	BR-23226 BR-23222 BR-90319	NUT, machine screw, hex., S., No. 10 (0.190)-32NF-1 (air cleaner bolt) (also in KIT BR-290466)	1 1
20-25	A054-03-14945		BR-23227	NUT, packing, carburetor needle adjusting valve (also in KIT BR-290284)	1
20-24	H006-01-04045		BR-92291	NUT, packing, fuel tank shut off valve	1
20-27	H101-503465	503465	BR-92067	NUT, wing, S., No. 10 (0.190)-32NF-2 (air cleaner bolt) (also in KIT BR-290466)	1
20-25	A054-03-33646		BR-68887	PACKING, carburetor needle adjusting valve (also in KIT BR-290284)	1
20-24			BR-68507	PACKING, fuel tank shut off valve	2
20-25	A054-03-39080		BR-23114	PIN, carburetor float hinge	1
20-25			BR-23125	PIN, carburetor throttle lever	1
20-26	A054-03-81692		BR-62876	SCREEN, engine fuel filter (also in KIT BR-290297)	1
20-27	H001-10-13001	193982	BR-92125	SCREW, cap, hex-hd., S., 1/4-20NC-2 x 1/4 in. (carburetor elbow brace and air cleaner) (also in KIT BR-290466)	2
20-25			BR-23270	SCREW, carburetor choke lever.	1
20-25	H001-10-26073	100713	BR-91920	SCREW, machine, oval-fill-hd., S., No. 8-32NC-2 x 5/8 in. (carburetor lever throttle stop)	1
	H001-10-30584	100763	BR-90079 BR-23225 BR-99700 BR-99868 BR-26229 BR-26157 BR-61967 BR-62851 BR-23711 BR-89987	SCREW, machine, rd-hd., S., No. 10 (0.190) 32NF-2 x 3/8 in. (tank strap) SEAT, carburetor float needle (also in KIT BR-99636) SHAFT AND LEVER, carburetor choke SHAFT, carburetor throttle, assembly SPRING, choke, carburetor lever SPRING, carburetor idle valve (also in KIT BR-290296) STOP, throttle, lever, carburetor STRAP, engine fuel tank STUD, air cleaner (also in KIT BR-290466) TANK, fuel, engine assembly	2 1 1 1 1 2 1 2 1 1 1

◆ Also listed separately



Key	Item	Part No.	Group
A	WASHER	BR-92151	20GI
B	SCREW	BR-92134	20GI
C	CONDENSER	BR-29861	20GI
D	WASHER	BR-91661	20GI
E	SCREW	BR-90066	20GI
F	WASHER	BR-91661	20GI
G	SCREW	BR-91753	20GI
H	WASHER	BR-38852	20GI
I	CABLE	BR-99288	20GI
J	COIL	BR-29671	20GI
K	SCREW	BR-90067	20GI
L	WASHER	BR-92317	20GI
M	WASHER	BR-38852	20GI
N	POINT ASSEMBLY	BR-29667	20GI
O	PLUNGER	BR-65704	20GI
P	SPACER	BR-62842	20GI
Q	PLATE	BR-89167	20GI
R	STUD	BR-91833	20GI



FIGURE 20-28—MAGNETO

GROUP 20—PUMP AND ENGINE

Figure Number	Official Stockage Number Order and Store by This Number	Part Number		ITEM	Quant. Reqd. per Unit Assy.
		Ordinance	Manufacturer		
Col. 1	Col. 2	Col. 3	Col. 4	Col. 5	Col. 6
20-24	A054-02-76499		BR-89190	20F1—ENGINE FUEL SYSTEM PARTS (Cont'd)	1
20-25	A054-04-27315		BR-23228	TUBE, fuel tank to filter, assembly (cap., 3/16 O.D. x 13 in. long w/2, 3/16 COMPRESSION FEMALE NUTS)	1
20-25			BR-22050	VALVE, idle, carburetor (also in kit BR-290296)	1
20-25			BR-90029	VALVE, choke, carburetor	2
20-25			BR-90369	SCREW, machine round-head, S., No. 4-36 x 1/4 in.	2
20-24	1090-23059		BR-23059	WASHER, lock, reg., S., 1/8 in.	1
20-25	A054-04-27330		BR-99621	VALVE, shut off, fuel tank	1
20-25			BR-22036	VALVE, adjusting, needle, carburetor (also in KIT BR-290284)	1
20-25			BR-90029	VALVE, throttle, carburetor	2
20-25			BR-90369	SCREW, machine, round-head, S., No. 4-36 x 1/4 in.	2
20-25			BR-21110	WASHER, lock, reg., S., 1/8 in.	1
20-25			BR-22062	VENTURI, carburetor	1
20-25			BR-68877	WASHER, choke lever, carburetor	1
20-27	H001-15-18007	103319	BR-92151	WASHER, fibre, carburetor inlet valve seat (also in KIT BR-99636)	1
	H001-15-18005	106497	BR-91407	WASHER, lock, reg., S., No. 10 (0.190) (0.200 I.D. x 0.325 O.D. 1/16 x 3/64 thick) (also in KIT BR-290466) (air cleaner bolt)	1
	A054-04-42780		BR-22032	WASHER, lock, reg., S., 1/4 in. (0.265 I.D. x 0.453 O.D. 3/32 x 1/16 thick) (carburetor elbow brace screw)	1
	A054-04-82500		BR-99665	WASHER, packing carburetor needle adjusting (also in KIT BR-290284)	1
20-26				YOKE, engine fuel filter	1
	A054-70-34534		BR-99288	20G1—ENGINE ELECTRICAL SYSTEM PARTS	1
20-28	A054-01-10690		BR-29671	CABLE, ignition, magneto	1
20-28	H001-10-26076	100716	BR-91753	COIL, armature, magneto (also in KIT BR-290393)	1
	H001-15-30004	114986	BR-38852	SCREW, machine, oval-fil-hd., S., No. 8 (0.164)-32NC-2 x 1 (also in KIT BR-290393)	4
	H001-15-18004	106496	BR-91661	WASHER, plain, S., SAE., std. No. 8 (0.164) (3/16 in. I.D. x 7/16 in. O.D. x 3/64 in. thick) (also in KIT BR-290393)	4
20-28	H001-10-30078	100749	BR-29861	WASHER, lock, reg., S., No. 8 (0.164) (0.169 I.D. x 0.263 O.D. 3/64 x 3/64 thick) (also in KIT BR-290393)	4
20-28	H001-15-18004	106491	BR-90066	CONDENSER, magneto (also in KIT BR-290392)	1
			BR-91661	SCREW, machine, rd-hd., S., No. 8 (0.164)-32NC-2 x 1/4 in. (also in KIT BR-290392)	1
20-28	H001-15-18004		BR-91661	WASHER, lock, reg., S., No. 8 (0.164) (0.169 I.D. x 0.263 O.D. 3/64 x 3/64 thick) (also in KIT BR-290392)	1

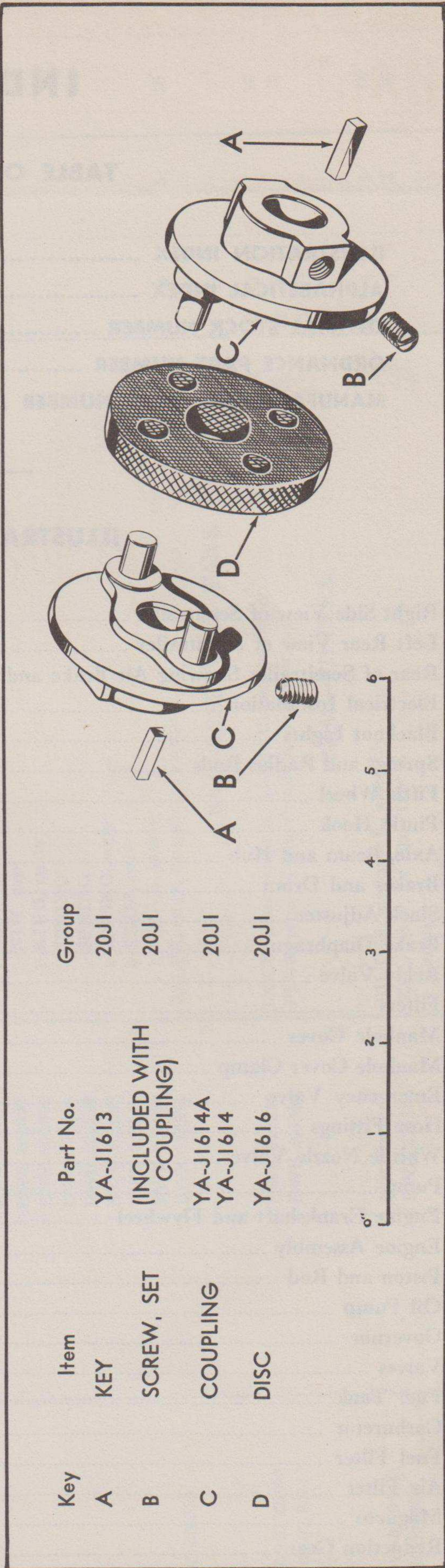
Col. 1	Col. 2	Col. 3	Col. 4	Col. 5	Col. 6
	1090-29806		BR-62835	COVER, dust, magneto	1
	1090-290307		BR-29806	GASKET, engine spark plug (for CP-J8)	1
			BR-290307	KIT, repair, magneto breaker point (Consists of:	1
	A054-03-40825		BR-65704	◆ 1—PLUNGER, fibre	
	A054-03-42184		BR-29667	◆ 1—POINT, breaker, assembly	
	H001-10-30079	110986	BR-90067	◆ 1—SCREW, machine, rd-hd., S., No. 8 (0.164)-32NC-2 x 5/16 in.	
	H001-15-19006	115544	BR-92317	◆ 1—WASHER, lock, internal teeth, reg., S., No. 8 (0.164)	
	H001-15-30004	114986	BR-38852	◆ 1—WASHER, plain, S., SAE. std., No. 8 (0.164) (3/16 in. I.D. x 7/16 in. O.D. x 3/64 in. thick)	
	1090-290392		BR-290392	KIT, repair, condenser, magneto	1
				(Consists of:	
	H001-10-30078	100749	BR-29861	◆ 1—CONDENSER	
	H001-15-18004	106496	BR-90066	◆ 1—SCREW, machine, rd-hd., S., No. 8 (0.164)-32NC-2 x 1/4 in.	
			BR-91661	◆ 1—WASHER, lock, reg., S., No. 8 (0.164) (0.169 I.D. x 0.263 O.D. x 3/64 x 3/64 thick)	
20-28	1090-290393		BR-290393	KIT, repair, magneto ignition coil	1
				(Consists of:	
	A054-01-10690		BR-29671	◆ 1—COIL, armature	
	H001-10-26076	100716	BR-91753	◆ 4—SCREW, machine, oval-fil-hd., S., No. 8 (0.164)-32NC-2 x 1 in.	
	H001-15-30004	114986	BR-38852	◆ 4—WASHER, plain, S., SAE, std., No. 8 (0.164) (3/16 in. I.D. x 7/16 in. O.D. x 3/64 in. thick)	
	H001-15-18004	106496	BR-91661	◆ 4—WASHER, lock, reg., S., No. 8 (0.164) (0.169 I.D. x 0.263 O.D. x 3/64 x 3/64 thick)	
20-28			BR-89244	MAGNETO, engine, assembly	1
20-28	H001-10-13213	215912	BR-92134	SCREW, cap, hex-hd., S., 1/4-28NF-2 x 3/4 in.	4
20-28	H001-15-18007	103319	BR-92151	WASHER, lock, reg., S., 1/4 in. (0.265 I.D. x 0.453 O.D. 3/32 x 1/16 thick)	
	H001-07-16535	103092	BR-90313	NUT, machine screw, hex., S., No. 8 (0.164)-32NC-1 (magneto dust cover)	2
20-22	A054-03-14994		BR-23068	NUT, adjusting speed, engine	1
20-28			BR-89167	PLATE, magneto, w/BEARING, assembly	1
20-22			BR-62641	PLATE, speed adjuster, engine	1
	A054-03-40799		BR-29693	PLUG, engine spark (CP-J8)	1
20-28	A054-03-40825		BR-65704	PLUNGER, fibre, magneto (also in KIT BR-290307)	1
20-28	A054-03-42184		BR-29667	POINT, breaker, magneto, assembly (also in KIT BR-290307)	1
20-28	H001-10-30079	110986	BR-90067	SCREW, machine, rd-hd., S., No. 8 (0.164)-32NC-2 x 5/16 in. (also in KIT BR-290307)	1
20-28	H001-15-19006	115544	BR-92317	WASHER, lock, internal teeth, reg., S., No. 8 (0.164) (also in KIT BR-290307)	1
20-28	H001-15-30004	114986	BR-38852	WASHER, plain, S., SAE., std., No. 8 (0.164) (3/16 I.D. x 7/16 in. O.D. x 3/64 in. thick) (also in KIT BR-290307)	1
20-22	H001-10-26465	100660	BR-37346	RIVET, tubular, 1/8 x 1/4 in., speed adjuster	2
20-22	A054-03-82090		BR-90202	SCREW, machine, oval-fil-hd., S., No. 10-32 x 1/2 in. (shim to magneto plate)	1
20-28	1090-62842		BR-23069	SCREW, speed adjusting, engine	1
			BR-62842	SPACER, magneto dust cover	2

◆ Also listed separately

GROUP 20—ENGINE AND PUMP

Figure Number	Official Stockage Number Order and Store by This Number	Part Number		ITEM	Quant. Reqd. per Unit Assy.
		Ordinance	Manufacturer		
Col. 1	Col. 2	Col. 3	Col. 4	Col. 5	Col. 6
20-28	H001-15-18004	106496	BR-91833 BR-91661 BR-65794	20F1—ENGINE FUEL SYSTEM PARTS (Cont'd) STUD, magneto dust cover WASHER, lock, reg., S., No. 8 (0.164) (0.164 to I.D. x 0.263 O.D. 3/64 x 3/64 thick) (magneto dust cover) WRAPPER, magneto armature	2 2 1
20-29	H001-10-13232	215955	BR-22508	20H1—ENGINE REDUCTION GEAR BUSHING, gear case, engine	1
20-29	H001-10-13234	216782	BR-89970	CASE, gear, engine, assembly	1
20-29	H001-15-18008	103320	BR-90688	SCREW, cap, hex-hd., S., 5/16-24NF-2 x 1 1/4 in.	2
20-29	H001-10-26126	114355	BR-91796	SCREW, cap, hex-hd., S., 5/16-24NF-2 x 1 3/4 in.	2
20-29	H001-15-18007	100319	BR-90366	WASHER, lock, reg., S., 5/16 in. (0.328 I.D. x 0.578 O.D. 1/8 x 1/16 thick)	4
20-29	A054-01-18120		BR-290014	COVER, gear, w/OIL SEAL BR-89976, assembly	1
20-29			BR-90810	SCREW, machine, oval-fil-hd., S., 1/4-20NC-2 x 3/4 in.	2
20-29			BR-90844	WASHER, lock, reg., S., 1/4 in. (0.265 I.D. x 0.453 O.D. 3/32 x 1/16 thick)	2
20-29			BR-22520	CUP, take-off shaft, engine gear	1
20-29			BR-290015	DRIVESHAFT, gear and bearing, assembly	1
20-29			BR-27138	GASKET, engine gear case cover (also in SET BR-290289)	1
20-29			BR-27139	GASKET, gear case to engine (also in SET BR-290289)	1
20-29			BR-91896	KEY, woodruff, engine gear	1
20-29			BR-92040	NUT, jam, engine gear pinion drive	1
20-29			BR-23681	PINION, drive, engine gear	1
20-29			BR-89976	SEAL, oil, engine gear cover	1
20-29			BR-92361	WASHER, lock, reg., S., 5/8 in. (0.655 I.D. x 1.062 O.D. 13/64 x 5/32 thick) (reduction gear pinion and nut)	1
20-30	G678-70-09357		YA-J1616	20J1—ENGINE COUPLING DISC, coupling, flexible drive	1
20-30	G678-70-09366		YA-J1614A	FLANGE, coupling, engine end, 5/8 in. bore (includes set screw)	1
20-30	G678-70-09367		YA-J1614	FLANGE, coupling, pump end, 3/4 in. bore (includes set screw)	1
20-30	H001-05-17025		YA-J1613	KEY, square, type C., 1/4 sq. x 1 in. (coupling)	2

Col. 1	Col. 2	Col. 3	Col. 4	Col. 5	Col. 6
				2101—BUMPER	
	H001-10-13284 H001-07-18025 H001-15-18011	216031 218571 103323	HLC-BC41-3	BUMPER, trailer rear SCREW, cap, hex-hd., S., 1/2-20NF-2 x 1 1/4 in. NUT, reg., hex-hd., s-fin., S., 1/2-20NF-2 WASHER, lock, reg., S., 1/2 in. (0.515 I.D. x 0.859 O.D. 11/64 x 1/8 thick)	1 18 18 18
				GROUP 22—MISCELLANEOUS BODY CHASSIS AND ACCESSORIES	
				2203—A—REFLECTORS	
	H017-506102 H001-07-18001 H001-10-30134 H001-15-18007 H017-506101 H001-07-18001 H001-10-30134 H001-15-18007	220064 113955 103319 220064 113955 103319	KD-333A KD-333R	REFLECTOR, reflex, amber NUT, regular, hex., s-fin., S., 1/4-20NC-2 SCREW, machine, rd-hd., S., 1/4-20NC-2 x 1/2 in. WASHER, lock, reg., S., 1/4 in. (0.265 I.D. x 0.453 O.D. 3/32 x 1/16 thick) REFLECTOR, reflex, red NUT, regular, hex., s-fin., S., 1/4-20NC-2 SCREW, machine, rd-hd., S., 1/4-20NC-2 x 1/2 in. WASHER, lock, reg., S., 1/4 in. (0.265 I.D. x 0.453 O.D. 3/32 x 1/16 thick)	4 4 4 8 8 8



Key	Item	Part No.	Group
A	KEY	YA-J1613	20JI
B	SCREW, SET	(INCLUDED WITH COUPLING)	20JI
C	COUPLING	YA-J1614A YA-J1614	20JI
D	DISC	YA-J1616	20JI

FIGURE 20-30—COUPLING

INDEXES

TABLE OF CONTENTS

	Page
ILLUSTRATION INDEX	112
ALPHABETICAL INDEX	113
OFFICIAL STOCK NUMBER	123
ORDNANCE PART NUMBER	126
MANUFACTURERS' PART NUMBER	127

ILLUSTRATION INDEX

Figure	Title	Page
A	Right Side View of Semitrailer	7
B	Left Rear View of Semitrailer	8
C	Rear of Semitrailer Showing Air Brake and Electrical Connections.....	9
06-1	Electrical Installation	42
06-2	Blackout Lights	43
10-3	Springs and Radius Rods	46
10-4	Fifth Wheel	49
15-5	Pintle Hook	51
10-6	Axle, Beam and Hub	52
11-7	Brakes and Drum	54
12-8	Slack Adjuster	58
12-9	Brake Diaphragm	59
12-10	Relay Valve	62
12-11	Filters	66
18-12	Manhole Cover	74
18-13	Manhole Cover Clamp	76
18-14	Emergency Valve	78
18-15	Hose Fittings	82
18-16	Whistle Nozzle Valve	83
20-17	Pump	88
20-18	Engine Crankshaft and Flywheel	92
20-19	Engine Assembly	93
20-20	Piston and Rod	94
20-21	Oil Pump	95
20-22	Governor	95
20-23	Valves	98
20-24	Fuel Tank	101
20-25	Carburetor	102
20-26	Fuel Filter	103
20-27	Air Filter	103
20-28	Magneto	106
20-29	Reduction Gear	107
20-30	Coupling	111

ALPHABETICAL INDEX

Attaching parts are not included in this index. In ORD 8, attaching parts which are not standard parts are included in their respective groups—attaching parts which are standard are listed in group 23. In ORD 9, attaching parts are listed in the body of the book under the part which they attach.

Item	Group	Item	Group
A			
ADAPTOR, bronze faucet, quick hose coupling, 2 in., female pipe thread	1820K	BODY, tubing union	1209C
ADAPTOR, bronze, quick hose coupling, hand- type, assembly	1820K	BODY, twin coupler, brass, for fuel gravity hose.....	1820K
ADAPTOR, 2 in., suction hose	1820K	BODY, twin coupler, brass, for fuel hose	1820K
ADJUSTER, slack, assembly, left	1203C-1	BODY, type E air filter	1209M
ADJUSTER, slack, assembly, left	1203C	BODY, valve, emergency	1209E
ADJUSTER, slack, assembly, right	1203C-1	BODY, valve, emergency valve	1209E
ADJUSTER, slack, assembly, right	1203C	BODY, emergency valve, assembly	1209E
ADJUSTER, speed, engine	20F1	BODY, faucet inlet	1820D
ARM, manhole hinge cover	1820B	BODY, faucet, w/STOP PIN (MVC-5618-J), assembly	1820D
AXLE, assembly	1108	BOLT, adjusting, operator	1820C
AXLE, w/o BRAKES, assembly	10G1	BOLT, brass, 3/8-16 x 1-5/16 fl. hd. (brake shoe lining)	1202
B			
BALL, cork, discharge nozzle tube.....	1820K	BOLT, countersunk head, S., 5/8-11NC-2 x 3 in.....	10K1
BALL, emergency valve seat	1209E	BOLT, eye, 7/8-14NC2 safety chain	10C1
BALL, poppet, slack adjuster	1203C-1	BOLT, eye, rear stowage compartment door.....	1805B
BALL, poppet, slack adjuster	1203C	BOLT, hex-hd., 5/16 in., air filter cover	1209M
BASE, cast iron, engine	20E1	BOLT, hex. head, pressure plate to non-pressure plate	1207B
BASE, 33 in. fifth wheel (DSF-1-FWU-330Q)	10K1	BOLT, hex-hd., s-fin., alloy-S., 3/8-16NC-2 x 1 in.....	1820E
BASE, tubular, fuel pump	20D1	BOLT, hex-hd., s-fin., alloy-S., 3/8-24NF-2 x 3 in. (for capacity indicator)	1820B
BASKET, strainer, 40 mesh, brass	20D1	BOLT, hex-hd., s-fin., alloy-S., 5/8-18NF x 2 in.	10K1
BEAM, axle, w/MOUNTING RINGS, assembly.....	1108	BOLT, hex., hd., 5/16 x 4 in. (DSF-HB-383345).....	10K1
BEAM, axle, w/SPRING SEATS	10G1	BOLT, hex., 1/2-20NF 2 x 5 1/2 in. (spring rebound)	1601A
BLADE, engine governor	20E1	BOLT, hex., 1/2-20NF 2 x 5 1/2 in. (spring rebound)	10D1
BLOCK, chock, wheel	1819	BOLT, hex., 5/16 in. x 2 1/8 in. (emergency valve body)	1209E
BLOCK, fuse, 3 poles	0607C	BOLT, radius rod, front and rear	1604
BODY, brake air chamber, assembly	1207B-1	BOLT, radius rod, front and rear	10F1
BODY, carburetor, lower	20F1	BOLT, spring center	1601A
BODY, carburetor, upper	20F1	BOLT, spring center	10D1
BODY, carburetor, upper, assembly	20F1	BOLT, spring rebound clip, w/NUT, assembly	1601A
BODY, cover, diaphragm, emergency valve	1209E	BOLT, spring rebound clip, w/NUT, assembly	10D1
BODY, cut-out cock	1209N	BOLT, sq-hd., 3/8-NF-2 x 6 in. (reservoir bracket)	1209D
BODY, discharge nozzle	1820K	BOWL, engine fuel filter	20F1
BODY, discharge nozzle tube	1820K	BOX, junction, assembly	0606B
BODY, drain cock	1209J	BOX, stuffing, discharge nozzle	1820K
BODY, dummy coupling	1209B	BOX, stuffing, emergency valve	1820C
BODY, emergency valve	1820C	BOX, tool, assembly	1817
BODY, engine valve breather	20E1	BRACE, air cleaner elbow	20F1
BODY, exhaust check valve	1209M	BRACE, carburetor elbow, lower	20F1
BODY, fuel pump	20D1	BRACKET, air coupler, left	1209D
BODY, hose connector, assembly	1209B	BRACKET, air coupler, right	1209D
BODY, hose coupling	1209B	BRACKET, angle capacity indicator	1820B
BODY, slack adjuster, left	1203C	BRACKET, brake camshaft and diaphragm, left	1108
BODY, slack adjuster, right	1203C	BRACKET, brake camshaft and diaphragm, right.....	1108
BODY, strainer	20D1	BRACKET, check chain	10C1
BODY, taillight, right and left	0608	BRACKET, fifth wheel support, right and left	10K1
BODY, tubing connector (1/4 in. pipe thd., 3/8 in. tubing)	1209C	BRACKET, hose tube door lock	1805B
BODY, tubing connector (3/8 in. pipe thd., 1/2 in. tubing)	1209C	BRACKET, reservoir	1209D
BODY, tubing connector (3/8 in. pipe thd., 3/8 in. tubing)	1209C	BRACKET, reservoir, assembly (includes bolt, nut and washer)	1209D
BODY, tubing tee	1209C		

Item	Group	Item	Group
BRACKET, "U" bolt	1820E	CHAIN, dummy coupling	1209B
BUMPER, trailer rear	2101	CHAIN, dust cap, discharge nozzle	1820K
BUSHING, brake shoe	1202	CHAIN, pintle, assembly	1502
BUSHING, brake spider	1203	CHAIN, safety, assembly	10C1
BUSHING, carburetor throttle shaft	20F1	CHAIN, safety, 47 links 1/2 in., dia. x 5 ft. 7 in.	10C1
BUSHING, control lever, fuel pump	20D1	CHAMBER, brake air, assembly	1207B-1
BUSHING, engine crankshaft and magneto w/OIL SEAL, assembly	20E1	CHAMBER, brake assembly	1207B
BUSHING, engine cylinder	20E1	CLAMP, 3/8 in. tubing	1209C
BUSHING, fifth wheel	10K1	CLAMP, 3/8 in. tube to 3 1/4 in. tube	1820E
BUSHING, gear case, engine	20G1	CLAMP, air brake line tubing	10A1
BUSHING, guide, diaphragm, emergency valve	1209E	CLAMP, dual, 3/8 in. O.D. tubing	0606B
BUSHING, packing nut control screw follower, fuel pump	20D1	CLAMP, electric line tubing	10A1
BUSHING, reducing, faucet, 3 in. x 2 in. standard pipe	1820E	CLAMP, lower spring	1602
BUSHING, reducing, lubricator fitting, 1/4 to 1/8 pipe thread	1203	CLAMP, lower spring	10E1
BUSHING, rotor shaft, fuel pump	20D1	CLAMP, manhole cover, assembly	1820B
BUSHING, rubber, radius rod	1604	CLAMP, single, 3/8 in. O.D. tubing	0606B
BUSHING, rubber, radius rod	10F1	CLAMP, strainer cap	20D1
BUSHING, slack adjuster lever arm	1203	CLAMP, upper spring	10E1
BUSHING, slack adjuster lever arm	1203C-1	CLAMP, upper spring	1602
BUSHING, slack adjuster worm adjusting shaft	1203C-1	CLEANER, air, engine	20F1
C			
CABLE, black, 16 gauge	0606B	CLIP, camshaft and diaphragm bracket	1108
CABLE, blue, 16 gauge	0606B	CLIP, 1/2 in. tubing	1209C
CABLE, coupling, 8 ft. 6 in. long	0606F	CLIP, rebound, bolt type, main spring, large	1601A
CABLE, green, 14 gauge	0606B	CLIP, rebound, bolt type, main spring, large	10D1
CABLE, ignition, magneto	20G1	CLIP, rebound, bolt type, main spring, small	1601A
CABLE, red, 16 gauge	0606B	CLIP, rebound, bolt type, main spring, small	10D1
CABLE, steel, 3/16 in. preformed, 37 strand x 40 ft. long	1820E	CLIP, rebound, clinch type, auxiliary spring	1601A
CABLE, white, 14 gauge	0606B	CLIP, rebound, clinch type, auxiliary spring	10D1
CAM, manhole cover latch, assembly	1820B	CLIP, spring, manhole cover	1820B
CAM, manhole latch, lower	1820B	COCK, cut-out, assembly	1209N
CAM, manhole latch, upper	1820B	COCK, drain, reservoir, 1/4 pipe thd., assembly	1209J
CAMSHAFT, brake, left	1203D	COIL, armature, magneto	20G1
CAMSHAFT, brake, right	1203D	COLLAR, brake camshaft	1203D
CAP, body end, fuel pump	20D1	COLLAR, spring seat, manhole cover	1820B
CAP, control screw, fuel pump	20D1	CONDENSER, magneto	20G1
CAP, discharge nozzle tube, assembly	1820K	CONE AND ROLLER, taper roller bearing, wheel hub, inner and outer	1301A
CAP, discharge nozzle tube dust cap	1820K	CONE AND ROLLER, bearing, wheel hub, inner and outer	10J1
CAP, dust, bronze, 1 in., fuel pump outlet line, assembly	1820K	CONNECTOR, brass, 3/8 in. O.D. tube x 1/4 in. pipe thd.	1820E
CAP, dust, bronze, 2 in., fuel pump outlet line, assembly	1820K	CONNECTOR, brass, 3/8 in. O.D. tube x 1/4 in. I.P.S.	0606B
CAP, dust, bronze, quick coupling assembly	1820K	CONNECTOR, cable, operator, assembly	1820C
CAP, dust, bronze, quick detachable, assembly	1820K	CONNECTOR, hose, 1/4 male pipe thd.	1209B
CAP, emergency valve	1820C	CONNECTOR, tubing, 1/4 in. pipe thd., 3/8 in. tubing, assembly	1209C
CAP, engine fuel tank, w/CHAIN, assembly	20F1	CONNECTOR, tubing, 3/8 in. pipe thd., tubing assembly	1209C
CAP, hub	1302	CONNECTOR, tubing, 3/8 in. pipe thd., 1/2 in. tubing assembly	1209C
CAP, hub	10H1	COUPLING, dummy, hose, w/CHAIN, assembly	1209B
CAP, oil filler w/DRAIN PLUG, engine, assembly	20E1	COUPLING, half, faucet, 3 in. standard pipe	1820E
CAP, pressure regulating, diaphragm cover	1209E	COUPLING, hose, lock type	1209B
CAP, spring, discharge nozzle	1820K	COUPLING, hose, lock type, w/NIPPLE, assembly	1209B
CAP, spring, fuel pump	20D1	COVER, air filter body	1209M
CAP, strainer	20D1	COVER, brake air chamber, assembly	1207B-1
CARBURETOR, engine, assembly	20F1	COVER, coupling socket, assembly	0606F
CARBURETOR, service, assembly	20F1	COVER, diaphragm, emergency valve, complete	1209E
CASE, gear, engine, assembly	20G1	COVER, dust, magneto	20G1
CHAIN, check, assembly	10C1	COVER, emergency relay valve	1209E
CHAIN, check, 9 links 1/2 in., dia. x 15 in.	10C1	COVER, emergency valve, diaphragm, assembly	1209E
		COVER, engine breather valve	20E1

Item	Group	Item	Group
COVER, engine fuel filter	20F1	FITTING, lubricating, push type, elbow 45° (DSF-FW-6891A)	10K1
COVER, engine valve	20E1	FITTING, lubricating, push type, elbow 90° (DSF-FW-6890A)	10K1
COVER, fill, 10 in., manhole cover	1820B	FELT, oil seal, wheel bearing.....	10J1
COVER, gear, w/OIL SEAL, BR-89976, assembly..	20G1	FLANGE, coupling, pump end, 3/4 in. bore (includes set screw)	20J1
COVER, inspection hole	1302	FLANGE, coupling, engine end, 5/8 in. bore (includes set screw)	20J1
COVER, junction, housing (4 in. sq.)	0606B	FLANGE, welding, emergency valve.....	1820C
COVER, junction housing (5 in. x 7 in.)	0606B	FLOAT, carburetor	20F1
COVER, manhole, fuel tank, assembly	1820B	FLYWHEEL, engine	20E1
COVER, manhole, stripped	1820B	FOLLOWER, diaphragm, emergency valve, lower	1209E
COVER, tool box, assembly	1817	FOLLOWER, diaphragm, emergency valve, upper	1209E
COVER, vent valve, manhole cover	1820B	FOLLOWER, packing nut, fuel pump.....	20D1
CRANKSHAFT, engine	20E1	FRAME, lever, operator.....	1820C
CUP, take-off shaft, engine gear	20G1	FUNNEL, fuel, 1 1/2 gallon.....	1820K
CUP, taper roller bearing, wheel hub, inner and outer	1301A	FUSE, 20 ampere, 3 A. G.....	0607C
CUP, taper roller bearing, wheel hub, outer	10J1		
CYLINDER, engine assembly	20E1		
D		G	
DIAPHRAGM, assembly, emergency valve	1209E	GASKET, body end cap, fuel pump.....	20D1
DIAPHRAGM, brake air chamber	1207B-1	GASKET, body, fuel pump.....	20D1
DIAPHRAGM, brake chamber	1207B	GASKET, carburetor body.....	20F1
DIAPHRAGM, emergency relay valve	1209E	GASKET, carburetor to elbow.....	20F1
DIAPHRAGM, emergency valve	1209E	GASKET, control head, fuel pump volume control..	20D1
DIAPHRAGM, emergency valve diaphragm cover..	1209E	GASKET, cork, manifold cover.....	1820E
DIAPHRAGM, exhaust check valve	1209M	GASKET, cork, outlet flange.....	1820E
DISC, compression, emergency valve	1820C	GASKET, cork, pipe flanged.....	1820E
DISC, coupling, flexible drive	20J1	GASKET, cork, rear spring.....	1820E
DISC, faucet seat	1820D	GASKET, cover, air filter.....	1209M
DISC, valve, discharge nozzle	1820K	GASKET, cover, emergency relay valve.....	1209E
DOOR, assembly, (inner left)	1805	GASKET, cover, emergency valve.....	1209E
DOOR, assembly, (inner right)	1805	GASKET, emergency valve to emergency relay valve	1209E
DOOR, assembly, (outer right)	1805	GASKET, engine air cleaner to elbow.....	20F1
DOOR, assembly, (outer left)	1805	GASKET, engine base.....	20E1
DOOR, hose tube	1805	GASKET, engine base to cylinder screw.....	20E1
DOOR, taillight, left	0608	GASKET, engine cylinder.....	20E1
DOOR, taillight, right	0608	GASKET, engine fuel filter.....	20F1
DRIVESHAFT, gear and bearing, assembly	20G1	GASKET, engine gear case cover.....	20G1
DRUM, brake	1302	GASKET, engine inlet valve.....	20F1
E		GASKET, engine intake manifold.....	20E1
ELBOW, carburetor intake	20F1	GASKET, engine intake manifold.....	20F1
ELBOW, engine air cleaner	20F1	GASKET, engine spark plug.....	20G1
ELBOW, engine exhaust muffler	20E1	GASKET, engine valve cover	20E1
ELBOW, street, 3/8 in.	1209C	GASKET, faucet	1820D
ELEMENT, air filter	1209M	GASKET, fill cover, manhole cover.....	1820B
ENGINE, assembly	20E1	GASKET, flange, carburetor mounting.....	20F1
EXTINGUISHER, fire, CTC, 1-quart, w/BRACKET	2301	GASKET, fuel tank cap.....	20F1
EXTINGUISHER, fire, portable, carbon dioxide, hand, permanent seat type valve, 15 lb.....	2301	GASKET, gear case to engine.....	20G1
F		GASKET, hose connector.....	1209B
FASTENER, chock block	1819	GASKET, hub cap.....	1302
FAUCET, 2 in. male straight pipe thread.....	1820D	GASKET, hub cap.....	10H1
FELT, oil seal wheel bearing.....	1301B	GASKET, leather, hose, female coupling, 1 in. inside dia., x 1 5/16 in. outside dia., x 1/8 in. thick	1820K
FILTER, air, type E, assembly	1209M	GASKET, leather, hose, female coupling, 1 1/2 in. outside dia., x 1 15/16 in. inside dia., x 5/32 in. thick	1820K
FILTER, fuel, engine, assembly.....	20F1	GASKET, leather, hose, female coupling, 2 in. inside dia., x 2 3/8 in. outside dia., x 5/32 in. thick	1820K
FINGER, latch, manhole cover, center.....	1820B		
FINGER, latch, manhole cover, left.....	1820B		
FINGER, latch, manhole cover, right.....	1820B		
FITTING, grease, assembly.....	1820E		
FITTING, grease, slack adjuster.....	1203C-1		
FITTING, lubricator, anchor pin 1/8 straight (AD-1980)	1203		
FITTING, lubricating, fuel pump, packing gland, 1/8 pipe thread	20D1		

Item	Group
GASKET, magneto to engine crankcase, .005 thick	20E1
GASKET, magneto to engine crankcase, .009 thick	20E1
GASKET, magneto to engine crankcase, .015 thick	20E1
GASKET, manhole cover	1820B
GASKET, nozzle tube	1820K
GASKET, oil filler cap	20E1
GASKET, ring, dust cap plug, 7/32 in. x 1 in. outside dia.	1820K
GASKET, ring, quick hose coupler	1820K
GASKET, ring, quick hose coupler adaptor	1820K
GASKET, Segalite, junction (5 in. x 7 in.)	0606B
GASKET, segalite, junction housing (4 in. sq.)	0606B
GASKET SET, engine overhaul	20E1
GASKET, spring cap, fuel pump	20D1
GASKET, strainer	20D1
GASKET, venturi, carburetor	20F1
GASKET, vent valve, manhole cover	1820B
GEAR, cam, engine	20E1
GEAR, slack adjuster worm wheel	1203C-1
GEAR, slack adjuster worm wheel	1203C
GLAND, packing, discharge nozzle	1820K
GLAND, packing, fuel pump	20D1
GLAND, packing, fulcrum shaft, emergency valve	1820C
GLAND, screwed, faucet	1820D
GUARD, spring, hose connector	1209B
GUIDE, diaphragm, emergency valve	1209E
GUIDE, w/BOLTS, operator, assembly	1820C

H

HANDLE, cut-out cock	1209N
HANDLE, fifth wheel operating (DSF-FWX-308)	10K1
HANDLE, fuel faucet	2301B
HANDLE, latch, manhole cover	1820B
HANDLE, manhole clamp	1820B
HANDLE, rear stowage compartment doors	1805D
HANDLE, wheel stud nut wrench	2301
HANGER, rear spring, front left	10A1
HANGER, rear spring, front left	1500
HANGER, rear spring, front right	10A1
HANGER, rear spring, front right	1500
HANGER, rear spring, rear left	10A1
HANGER, rear spring, rear left	1500
HANGER, rear spring, rear right	10A1
HANGER, rear spring, rear right	1500
HEAD, control, fuel pump	20D1
HEAD, cross, plunger, fuel pump	20D1
HEAD, cylinder engine	20E1
HINGE, inner door, left	1805
HINGE, inner door, right	1805
HINGE, outer door, left	1805
HINGE, outer door, right	1805
HOLDER, disc, faucet	1820D
HOLDER, discharge nozzle disc	1820K
HOOK, grab, safety chain	10C1
HOOK, manhole clamp, left	1820B
HOOK, manhole clamp, right	1820B
HOOK, pintle	1502
HOOK, pintle, assembly	1502
HOOK, slip, check chain	10C1
HOOK, "S", rear stowage compartment door	1805B
HOSE, 3/4 O. D. x 3/8 I. D. x 32 in.	1209B

Item	Group
HOSE, brake chamber to relay valve, assembly	1209B
HOSE, discharge and nozzles (pump)	2301B
HOSE, fuel, non-metallic, discharge type, assembly, 1 1/2 in. x 10 ft., with male and female couplings 1 1/2 in. NPS	1820K
HOSE, fuel, non-metallic, discharge type, assembly, 1 in. x 8 ft., with male and female couplings, 1 in. NPS	1820K
HOSE, fuel, non-metallic, discharge type, assembly, 1 in. x 9 ft., with male and female couplings, 1 in. NPS	1820K
HOSE, fuel, non-metallic, discharge type, assembly, 1 in. x 20 ft., with male and female couplings, 1 in. NPS	1820K
HOSE, fuel, wire stiffened, suction type, assembly, 1 1/2 in. x 30 ft., with male and female couplings, 1 1/2 in. NPS	1820K
HOSE, fuel, wire stiffened, suction type, assembly, 2 in. x 15 ft., with male and female couplings, 2 in. NPS	1820K
HOSE, fuel, wire stiffened, suction type, 2 in. x 14 ft., with male and female couplings, 2 in. NPSH, assembly	2301B
HOSE, gravity dispenser (discharge unit)	2301B
HOSE, suction (pump)	2301B
HOUSING, blower, engine	20F1
HOUSING, junction, 4 in. square	0605B
HOUSING, junction (5 in. x 7 in.)	0606B
HOUSING, slack adjuster, left	1203C-1
HOUSING, slack adjuster, right	1203C-1
HOUSING, trip, for flexible conduit, operator	1820C
HOUSING, trip, for 3/8 in. tubing, operator	1820C
HUB AND CUP, w/STUDS, assembly, left	10H1
HUB AND CUP, w/STUDS, assembly, left	1302
HUB AND CUP, w/STUDS, assembly, right	10H1
HUB AND CUP, w/STUDS, assembly, right	1302
HUB AND CUP, w/STUDS, assembly, (right and left)	10H1
HUB AND CUP, w/STUDS, assembly, (right and left)	1302
HUB AND DRUM, assembly, left	1302
HUB AND DRUM, assembly, right	1302

I

INDICATOR, capacity, fuel tank, assembly	1820B
--	-------

J

JAW, fifth wheel coupler, left (DSF-FWX-3010-L)	10K1
JAW, fifth wheel coupler, right, (DSF-FWX-3010R)	10K1

K

KEY, cut-out cock	1209N
KEY, drain cock	1209J
KEY, shear, engine flywheel to camshaft	20E1
KEY, square, type C, 1/4 sq. x 1 in. (coupling)	20J1
KEY, woodruff, engine gear	20G1
KIT, discharge hose, repair, 1 in.	1820K
KIT, discharge hose, repair, 1 1/2 in.	1820K
KIT, repair, air filter, type E	1209M
KIT, repair, brake lining for 1 axle	1202
KIT, repair, carburetor float valve needle	20F1
KIT, repair, carburetor high speed adjustment	20F1
KIT, repair, carburetor, overhaul	20F1

Item	Group	Item	Group
KIT, repair, condenser, magneto.....	20G1	LINK, safety chain grab hook.....	10C1
KIT, repair, coupling socket and mounting.....	0606F	LINK, hook, safety chain shackle.....	10C1
KIT, repair, engine governor.....	20E1	LINK, offset, control, operator.....	1820C
KIT, repair, engine valve chamber breather.....	20E1	LINING, brake shoe.....	1202
KIT, repair, exhaust check valve.....	1209M	LOCK, engine connecting rod screw.....	20E1
KIT, repair, fuel filter.....	20F1	LOCK, engine piston pin.....	20E1
KIT, repair, magneto breaker point.....	20G1	LOCK, hose tube door, left.....	1805B
KIT, repair, magneto ignition coil.....	20G1	LOCK, hose tube door, right.....	1805B
KIT, repair, relay valve.....	1209E	LOCK, pin, brake shoe anchor 1203.....	1203
KIT, replacement, air cleaner.....	20F1	LOCK, pintle.....	1502
L		LOCK, rear stowage compartment door.....	1805B
LAMP-UNIT, blackout tail, sealed, 4-opening, 6 volt, 3 cp., assembly (lower, left and right).....	0608	LOOM, 7/16 in., 60 ft. long.....	1209C
LAMP-UNIT, blackout stop, sealed, one-opening, 6 volt, 3 cp., assembly (upper, right).....	0608	LOOM, 9/16 in., 4 ft. long.....	1209C
LAMP-UNIT, service tail and stop, sealed, 6 volt, 32-6 cp., assembly (upper, left).....	0608	M	
LATCH, hose tube door lock, left.....	1805B	MAGNETO, engine, assembly.....	20G1
LATCH, hose tube door lock, right.....	1805B	MANIFOLD, assembly.....	1820E
LATCH, manhole cover, assembly.....	1820B	MECHANISM, trip, for flexible conduit (operator).....	1820C
LATCH, pintle.....	1502	MECHANISM, trip, for 3/8 in. tubing (operator).....	1820C
LATCH, plunger, fifth wheel lock (DSF-FWX- 3015).....	10K1	MUFFLER, engine exhaust, assembly.....	20E1
LATCH, plunger, fifth wheel safety (DSF-FWX- 3019).....	10K1	N	
LEAF, No. 1 auxiliary spring.....	10D1	NEEDLE, carburetor float valve.....	20F1
LEAF, No. 1 auxiliary spring.....	1601A	NIPPLE, close, faucet, 2 in. standard pipe.....	1820E
LEAF, No. 1 main spring.....	10D1	NIPPLE, hose cast bronze, 1 in. standard thread.....	1820K
LEAF, No. 1 main spring.....	1601A	NIPPLE, hose coupling.....	1209B
LEAF, No. 2 auxiliary spring.....	10D1	NIPPLE, hose, faucet.....	1820D
LEAF, No. 2 auxiliary spring.....	1601A	NOZZLE, carburetor.....	20F1
LEAF, No. 2 main spring.....	10D1	NOZZLE, discharge, fuel, assembly, 1 in. wet hose, whistle type.....	1820K
LEAF, No. 2 main spring.....	1601A	NUT, adjusting speed, engine.....	20G1
LEAF, No. 3 auxiliary spring.....	10D1	NUT, castle, alloy-S., 1-14NF-2.....	10F1
LEAF, No. 3 auxiliary spring.....	1601A	NUT, castle, alloy-S., 1-14NF-2.....	1604
LEAF, No. 3 main spring.....	10D1	NUT, castle, S., 3/8-24NF-2 (capacity indicator).....	1820B
LEAF, No. 3 main spring.....	1601A	NUT, castle, S., 3/8-24NF-2.....	1820B
LEAF, No. 4 main spring.....	10D1	NUT, cap, cut-out cock.....	1209N
LEAF, No. 4 main spring.....	1601A	NUT, cap, emergency relay valve.....	1209E
LEAF, No. 5 main spring.....	10D1	NUT, cap, emergency valve.....	1209E
LEAF, No. 5 main spring.....	1601A	NUT, diaphragm, emergency relay valve.....	1209E
LEAF, No. 6 main spring.....	10D1	NUT, disc, faucet.....	1820D
LEAF, No. 6 main spring.....	1601A	NUT, disc retaining, emergency valve.....	1820C
LEAF, No. 7 main spring.....	10D1	NUT, drum stud.....	10H1
LEAF, No. 7 main spring.....	1601A	NUT, drum stud.....	1302A
LEAF, No. 8 main spring.....	10D1	NUT, hex., 1/2-20NF2.....	10D1
LEAF, No. 8 main spring.....	1601A	NUT, hex., 3/4-16NF2, drum to hub stud.....	10H1
LEG, landing gear, assembly.....	1508	NUT, hex., stud, 1/2-20NF2.....	1601A
LEVER, faucet.....	1820D	NUT, hex., pressure plate to non-pressure plate.....	1207B
LEVER, fuel pump flow control, assembly.....	20D1	NUT, hex., push rod yoke.....	1207B
LEVER, fulcrum, emergency valve.....	1820C	NUT, high, hex., 3/4-16, U-bolt.....	10E1
LEVER, hand, discharge nozzle.....	1820K	NUT, high, hex., 3/4-16, U-bolt.....	1602
LEVER, operating emergency valve.....	1820C	NUT, hose connector.....	1209B
LEVER, operating, operator.....	1820C	NUT, jam, engine gear pinion drive.....	20G1
LIFTER, engine valve.....	20E1	NUT, jam, hex., s-fin., S., 5/16-24NF-2 (operator).....	1820C
LIGHT, blackout tail and blackout stop, 6 volt, 7/8 in. long mtg. stud, assembly (right).....	0608	NUT, jam, hex., s-fin., S., 1/4-20NC2.....	1820B
LIGHT, blackout tail and service tail and stop 6 volt, 7/8 in. lg. mtg. stud, assembly (left).....	0608	NUT, jam, hex., s-fin., S., 3/4-16NF-2.....	10E1
LINK, dust cap chain.....	1820K	NUT, jam, hex., s-fin., S., 3/4-16NF-2.....	1602
LINK, engine throttle connecting.....	20E1	NUT, jam, operator cable.....	1820C
LINK, fusible, control, operator.....	1820C	NUT, left hand thd., hex., s-fin., S., 1/2-20NF-2 (retaining flywheel).....	20E1
LINK, hook, check chain.....	10C1	NUT, lock, emergency valve.....	1209E
		NUT, lock, engine exhaust muffler elbow.....	20E1
		NUT, lock nozzle tube.....	1820K

Item	Group
NUT, lock, operator.....	1820C
NUT, lock, stem, emergency valve diaphragm cover	1209E
NUT, machine screw, hex., S., No. 8 (magneto dust cover)	20G1
NUT, machine screw, hex., S., No. 10 (0.190) 32 NF-1 (air cleaner bolt).....	20F1
NUT, machine screw, hex., S., No. 10-32 NF2 (clamp rod)	1820B
NUT, packing adjusting screw plunger flow control, fuel pump.....	20D1
NUT, packing carburetor needle adjusting valve.....	20F1
NUT, packing fuel tank shut off valve.....	20F1
NUT, packing, fulcrum shaft, emergency valve.....	1820C
NUT, packing gland stud, fuel pump.....	20D1
NUT, packing, valve stem, discharge nozzle.....	1820K
NUT, pintle hook sleeve.....	1502
NUT, reg., hex., s-fin., alloy-S., 3/8-16NC2 (brake shoe lining bolt).....	1202
NUT, reg., hex., s-fin., S., 5/16-24NF-2 (brake air chamber cover to body screw).....	1207B-1
NUT, reg., hex., s-fin., 3/8-16NC-2.....	1820E
NUT, reg., hex., s-fin., S., 3/8-24NF-2.....	1820D
NUT, reg., hex., s-fin., S., 3/8-24NF-2.....	1820E
NUT, reg., hex., s-fin., S., 1/4-28NF-2 (engine valve cover stud).....	20E1
NUT, reg., hex., s-fin., S., 5/8-11NC-2.....	10K1
NUT, reg., hex., s-fin., S., 5/8-18NF-2.....	10K1
NUT, reg., hex., s-fin., S., 5/16-24NF-2 (operator)	1820C
NUT, reg., hex., s-fin., S., 1/2-20NF-2.....	1820E
NUT, reg., hex., S., 3/8-NF-2 (reservoir bracket).....	1209D
NUT, slotted, heavy, S., 1/2-13NC-2 (DSF-CN-12).....	10K1
NUT, square, 5/16 (DSF-SN-38).....	10K1
NUT, tubing connector (3/8 in. pipe thd., 1/2 in. tubing)	1209C
NUT, tubing tee (1/4 in. pipe thd., 3/8 in. tubing).....	1209C
NUT, tubing union, 3/8 in.....	1209C
NUT, wheel bearing, inner.....	10G1
NUT, wheel bearing, inner.....	1108
NUT, wheel bearing, outer.....	10G1
NUT, wheel bearing, outer.....	1108
NUT, wheel stud, inner, left.....	10H1
NUT, wheel inner, left	1302A
NUT, wheel stud, inner, right.....	10H1
NUT, wheel stud, inner, right.....	1302A
NUT, wheel stud, outer, left.....	10H1
NUT, wheel stud, outer, left.....	1302A
NUT, wheel stud, outer, right.....	10H1
NUT, wheel stud, outer, right.....	1302A
NUT, wing, S., No. 10 (0.190) 32NF-2 (air cleaner bolt)	20F1

O

OIL SEAL, engine crankshaft, magneto end.....	20E1
OIL SEAL, engine crankshaft, power take-off end.....	20E1
OPERATOR, valve, cable control, assembly.....	1820C

P

PACKING, adjusting screw, fuel pump volume control	20D1
PACKING, carburetor needle adjusting valve.....	20F1
PACKING, faucet	1820D
PACKING, fuel tank shut-off valve.....	20F1

Item	Group
PACKING, gland, fuel pump.....	20D1
PACKING, stem, valve, discharge nozzle.....	1820K
PIECE, tail, bronze, quick hose coupling, 1 1/2-in. male standard pipe thread.....	1820K
PIECE, tail, bronze, quick hose coupling, 2 in.....	1820K
PIN, anchor, brake shoe.....	1203
PIN, capacity indicator.....	1820B
PIN, carburetor float hinge.....	20F1
PIN, carburetor throttle lever.....	20F1
PIN, center groove, manhole.....	1820B
PIN, cotter, brass, emergency valve.....	1820C
PIN, cotter, drain cock.....	1209J
PIN, cotter, engine base oil drain plug.....	20E1
PIN, cotter, hand lever fulcrum pin, discharge nozzle	1820K
PIN, cotter, split, S., (type B) 1/16x1/2 (emergency relay valve nut).....	1209E
PIN, cotter, split, S., (type B) 3/16x3 (pintle hook sleeve nut)	1502
PIN, cotter, split, S., 1/8x1/2 in.....	1820B
PIN, cotter, split, S., 1/8 in. x 1 3/4 in.....	10F1
PIN, cotter, split, S., 1/8 in. x 1 3/4 in.....	1604
PIN, cotter, split, S., (type B) 1/8x2 in. (DSF-PNC-18112)	10K1
PIN, cotter, split, S., (type B) 1/4x2 1/2 in. (DSF-PNC-14212)	10K1
PIN, cut-out cock handle.....	1209N
PIN, dowel, aligning, fuel pump control plate 5/32x3/8 in.....	20D1
PIN, dowel, engine base.....	20E1
PIN, emergency valve diaphragm cover.....	1209E
PIN, engine piston, standard.....	20E1
PIN, engine piston, .005 oversize.....	20E1
PIN, engine valve spring retainer.....	20E1
PIN, fifth wheel coupler jaw (DSF-FWZ-3011).....	10K1
PIN, fulcrum, hand lever, discharge nozzle.....	1820K
PIN, guide, fuel pump.....	20D1
PIN, hinge arm, manhole.....	1820B
PIN, hose coupling.....	1209B
PIN, hose tube door lock.....	1805B
PIN, latch cam, manhole cover.....	1820B
PIN, link w/COTTER PIN, operator, assembly.....	1820C
PIN, manhole clamp.....	1820B
PIN, manhole latch.....	1820B
PIN, pawl, adjusting plate, fuel pump.....	20D1
PIN, pintle lock latch.....	1502
PIN, spring, brake shoe return.....	1203
PIN AND LOCK, assembly.....	1508
PINION, drive, engine gear.....	20G1
PIPING, front compartment, assembly.....	1820E
PIPING, rear compartment, assembly.....	1820E
PISTON, engine, .010 oversize.....	20E1
PISTON, engine, .010 oversize, assembly	20E1
PISTON, engine, .030 oversize.....	20E1
PISTON, engine, .030 oversize, assembly.....	20E1
PISTON, operator.....	1820C
PISTON, standard, engine.....	20E1
PISTON, standard, engine, assembly.....	20E1
PLATE, adjusting top spring, fuel pump.....	20D1
PLATE, bottom spring, fuel pump.....	20D1
PLATE, brake shoe cam wear.....	1202
PLATE, fifth wheel, mounting.....	10K1
PLATE, magneto, w/BEARING, assembly.....	20G1
PLATE, name	10A1

Item	Group
PLATE, name, manhole cover.....	1820B
PLATE, name, w/SCREWS, operator, assembly.....	1820C
PLATE, non-pressure, brake chamber.....	1207B
PLATE, pressure, brake chamber.....	1207B
PLATE, pressure control, fuel pump.....	20D1
PLATE, side, slack adjuster.....	1203C-1
PLATE, side, slack adjuster.....	1203C
PLATE, speed adjuster, engine.....	20G1
PLATE, spring spacer (between main and auxiliary springs)	10D1
PLATE, spring spacer (between main and auxiliary springs)	1601A
PLATE, vent valve, manhole cover.....	1820B
PLIERS, combination, slip joint, wire cutting, 6 in.	2301A
PLUG, drain, 1/4 in., air filter.....	1209M
PLUG, dust cap, fuel pump, 2 in., assembly.....	1820K
PLUG, dust cap, bronze, fuel pump, 1 1/2 in. assembly	1820K
PLUG, engine base oil drain.....	20E1
PLUG, engine cam shaft.....	20E1
PLUG, engine spark.....	20G1
PLUG, fusible, safety, w/SCREEN, 2 in., man- hole cover	1820B
PLUG, nozzle tube quill.....	1820K
PLUG, pipe, 1/8 in., slack adjuster.....	1203C
PLUG, pipe, 3/8 pipe thread, air reservoir.....	1209J
PLUG, pipe, 1 1/4 in., fuel pump body.....	20D1
PLUG, screw, slack adjuster poppet ball spring retaining	1203C
PLUG, shipping, brake air chamber.....	1207B-1
PLUG, side, emergency valve	1820C
PLUG, slack adjuster expansion.....	1203C-1
PLUG, spring, hose coupling.....	1209B
PLUNGER, control, fuel pump.....	20D1
PLUNGER, emergency valve.....	1820C
PLUNGER, fibre, magneto	20G1
PLUNGER, fifth wheel lock, assembly (DSF-FWU-306)	10K1
PLUNGER, hose coupling.....	1209B
PLUNGER, valve stem, discharge nozzle.....	1820K
POINT, breaker, magneto, assembly.....	20G1
PULLEY, engine starter.....	20E1
PUMP, fuel, manual flow control, assembly.....	20D1
PUMP, oil, engine, assembly.....	20E1
PUMP, portable, fuel refueling unit.....	2301B

Q

QUILL, nozzle tube..... 1820K

R

REFLECTOR, reflex, amber..... 2203A
REFLECTOR, reflex, red..... 2203A
RESERVOIR, air brake..... 1209J
RETAINER, engine valve spring..... 20E1
RETAINER, faucet spring..... 1820D
RETAINER, feather valve, manhole cover..... 1820B
RETAINER, wheel bearing, inner, felt..... 1301B
RETAINER, wheel bearing, inner, felt..... 10J1
RETAINER, wheel bearing, outer, felt..... 10J1
RETAINER, wheel bearing, outer, felt..... 1301B
RING, lock, bronze, quick hose coupling, drilled
for chain, assembly

Item	Group
RING, engine piston, compression, center, .010 oversize	20E1
RING, engine piston, compression, center, .030 oversize	20E1
RING, engine piston, compression, center, standard	20E1
RING, engine piston, compression, top, .010 oversize	20E1
RING, engine piston, compression top, .030 oversize	20E1
RING, piston, compression, top, standard.....	20E1
RING, engine piston, oil, bottom, .010 oversize.....	20E1
RING, engine piston, oil, bottom, .030 oversize.....	20E1
RING, engine piston, oil, bottom, standard.....	20E1
RING, guide, emergency relay valve diaphragm.....	1209E
RING, packing, fuel pump.....	20D1
RING, packing, fulcrum shaft, emergency valve.....	1820C
RING, packing, hose coupling body.....	1209B
RING, pintle, assembly	10B1
RING, retaining rotor shaft bushing, fuel pump.....	20D1
RING, retaining, socket cover dust seal.....	0606F
RING SET, engine piston, .010 oversize.....	20E1
RING SET, engine piston, .030 oversize.....	20E1
RING SET, engine piston, standard.....	20E1
RIVET, button head, 3/16x5/8 in. w/COTTER PIN, operator	1820C
RIVET, button head, 1/8x1/4 in.....	1820C
RIVET, flat head, 1/4x1/8 in. w/COTTER PIN, operator	1820C
RIVET, round head, 1/8x15/16 in.....	1820B
RIVET, round head, S., 7/32x1 3/4 in.....	1820B
RIVET, round head, S., 1/8x3/4 in.....	1820B
RIVET, slack adjuster cover.....	1203C
RIVET, slack adjuster cover.....	1203C-1
RIVET, spider and adapter.....	1203
RIVET, steel, b-hd., 3/16x5/8 in.....	1820B
RIVET, tubular, 1/8x1/4 in., speed adjuster.....	20G1
ROD, engine connecting, assembly.....	20E1
ROD, gage	2301B
ROD, manhole clamp.....	1820B
ROD, radius 16-5/16 in., center to center.....	10F1
ROD, radius, 16-15/16 in. center to center.....	1604
ROD, push, brake air chamber diaphragm, assembly	1207B-1
ROD, push, brake chamber diaphragm.....	1207B
ROPE, starter, w/HANDLE, assembly.....	20E1
ROTOR GROUP, fuel pump.....	20D1

S

SADDLE, spring, manhole clamp..... 1820B
SADDLE, spring, manhole cover..... 1820B
SCREEN, brass, 40 mesh, fine, emergency valve..... 1820C
SCREEN, engine fuel filter..... 20F1
SCREEN, oil pump..... 20E1
SCREW, adjusting plunger flow control, fuel
pump

Item	Group	Item	Group
SCREW, cap, hex-hd., S., 3/8-24NF 2x1 1/4 in.....	1820D	SEAT, valve, stellite, engine (used on ENGINE model BR-206509)	20E1
SCREW, cap, hex-hd., S., 3/8-24NF-2x1 1/2 in.....	1820E	SHACKLE, jappaned anchor, 1/2 in. dia. round pin	10C1
SCREW, cap, hex-hd., S., 3/8-24NF 2x2 (engine base to cylinder)	20E1	SHAFT, adjusting, worm, slack adjuster.....	1203C
SCREW, cap, hex-hd., S., 1/2-13NC 2x1 1/4 in.....	10H1	SHAFT, adjusting, worm, slack adjuster.....	1203C-1
SCREW, cap, hex-hd., S., 1/2-20NF 2x1 1/2 in.....	1820E	SHAFT, carburetor throttle, assembly.....	20F1
SCREW, cap, hex-hd., special heat treated, long (cylinder head to cylinder).....	20E1	SHAFT, engine cam.....	20E1
SCREW, cap, hex-hd., special heat treated short (cylinder head to cylinder).....	20E1	SHAFT, fifth wheel support bracket (DSF-FWU-305-Q)	10K1
SCREW, cap, hex., w/NUT AND LOCK		SHAFT, fulcrum, emergency valve.....	1820C
WASHER, 1/4-20x3/4 in.	1820C	SHAFT, lever w/PINS, operator.....	1820C
SCREW, carburetor choke lever.....	20F1	SHAFT AND LEVER, carburetor choke.....	20F1
SCREW, diaphragm, emergency relay valve.....	1209E	SHIELD, brake air chamber dust.....	1207B-1
SCREW, engine connecting rod.....	20E1	SHIELD, dust, brake.....	1203
SCREW, fifth wheel safety latch (DSF-FWX-3018)	10K1	SHIELD, dust, socket cover.....	0606F
SCREW, flat head, 5/16-18x1-3/16 in. (brake shoe cam wear plate).....	1202	SHIELD, engine cylinder.....	20E1
SCREW, lock, faucet gland.....	1820D	SHIELD, engine oil spray.....	20E1
SCREW, locking, brake shoe anchor pin.....	1203	SHIM, brake shoe cam wear plate, (medium).....	1202
SCREW, machine, oval-fil-hd., S., No. 8-32 NC-2x5/8 in. (carburetor lever throttle stop).....	20F1	SHIM, brake shoe cam wear plate, (thick).....	1202
SCREW, machine, oval-fil-hd., S., No. 10 (.190) 32NF-2x1/4 in.....	1820B	SHIM, brake shoe cam wear plate, (thin).....	1202
SCREW, machine, oval-fil-hd., S., No. 10-32x1/2 in. (shim to magneto plate).....	20G1	SHIM, camshaft and diaphragm bracket.....	1108
SCREW, machine, oval-fil-hd., S., 1/4-20NC 2x5/16 in.	1820B	SHIM, emergency valve regulating spring shim.....	1209E
SCREW, machine, oval-fil-hd., S., 1/4-20NC 2x1 in.	1820B	SHOE, brake	1202
SCREW, machine, rd-hd., br., 1/4-20NC-2x3/4 in.	1820B	SHOE, brake, lower, w/LINING, BOLTS, NUTS AND WASHERS, assembly.....	1202
SCREW, machine, rd-hd., S., No. 6 (0.138) 32 NC-2x5/16 in.	1209M	SHOE, brake, upper, w/LINING, BOLTS, NUTS AND WASHERS, assembly.....	1202
SCREW, machine, rd-hd., S., No. 10 (0.190) 32NF-2x3/8 in. (tank strap).....	20F1	SKIRT, valve spring, discharge nozzle.....	1820K
SCREW, machine, rd-hd., S., No. 10 (.190) 24NC-2x3/8 in.	1820B	SLEEVE, control cable, operator w/CLEVIS, assembly	1820C
SCREW, machine, rd-hd., S., 1/4-20NC-2x1/2 in. (engine blower housing)	20E1	SLEEVE, hose connector	1209B
SCREW, retaining, fuel pump handwheel volume control, 3/16-30x3/4 in.	20D1	SLEEVE, insuliner	0606B
SCREW, set, socket, hd., cup-pt., alloy-S., 1/4-20NC-3x1/4 in. long	1820B	SLEEVE, pintle	1502
SCREW, set, socket, hd., dog-point, alloy-S., 3/8 in.-16NC 2x5/8 in. long	1820B	SLEEVE, split, operator.....	1820C
SCREW, set, sq-hd., cup-pt., 5/16-18-NC-2x9/16 in. (brake camshaft collar).....	1203D	SLEEVE, tubing connector (3/8 in. pipe thd., 1/2 in. tubing)	1209C
SCREW, speed adjusting, engine.....	20G1	SLEEVE, tubing connector (1/4 in. pipe thd., 3/8 in. tubing)	1209C
SCREW, taillight door	0608	SLEEVE, tubing tee connector, 3/8 in. tubing.....	1209C
SCREWDRIVER, common, normal duty, single grip, (type III, class C), 8x3/8 in. blade.....	2301A	SLEEVE, tubing union connector, 3/8 in. tubing.....	1209C
SEAL, oil, engine gear cover.....	20G1	SLINGER, oil	1302
SEAT, carburetor float needle.....	20F1	SOCKET, coupling, less cover.....	0606F
SEAT, main spring.....	10E1	SPACER, hub stud.....	10H1
SEAT, manhole spring.....	1820B	SPACER, lever, operator.....	1820C
SEAT, spring	1602	SPACER, magneto dust cover.....	20G1
SEAT, spring, emergency relay valve.....	1209E	SPACER, manhole vent cover.....	1820B
SEAT, spring emergency valve diaphragm cover, upper	1209E	SPACER, rear spring bracket.....	10E1
SEAT, valve, emergency relay valve.....	1209E	SPACER, rear spring bracket.....	1602
SEAT, valve, emergency valve.....	1209E	SPIDER, brake, right or left.....	1203
SEAT, valve, emergency valve diaphragm cover.....	1209E	SPRING, assembly	10D1
		SPRING, assembly	1601A
		SPRING, auxiliary, assembly (3 leaves w/2 SPACERS)	10D1
		SPRING, auxiliary, assembly (3 leaves w/2 SPACERS)	1601A
		SPRING, brake air chamber diaphragm return.....	1207B-1
		SPRING, brake air chamber dust shield.....	1207B-1
		SPRING, brake shoe return.....	1203A
		SPRING, carburetor idle valve.....	20F1
		SPRING, check chain.....	10C1
		SPRING, choke, carburetor lever.....	20F1
		SPRING, control, fuel pump.....	20D1
		SPRING, cut-out cock.....	1209N

Item	Group
SPRING, discharge nozzle, valve.....	1820K
SPRING, drain cock.....	1209J
SPRING, dust cap.....	1820K
SPRING, emergency relay valve diaphragm.....	1209E
SPRING, emergency relay valve intake valve.....	1209E
SPRING, emergency valve diaphragm.....	1209E
SPRING, emergency valve regulating.....	1209E
SPRING, emergency valve strainer.....	1209E
SPRING, engine breather retainer.....	20E1
SPRING, engine exhaust valve.....	20E1
SPRING, engine intake valve.....	20E1
SPRING, engine oil pump screen.....	20E1
SPRING, faucet.....	1820D
SPRING, fifth wheel, lock latch (DSF-SP-582).....	10K1
SPRING, fifth wheel plunger (DSF-SP-112512).....	10K1
SPRING, hose coupling.....	1209B
SPRING, hose tube door lock.....	1805B
SPRING, main, assembly (8 leaves).....	10D1
SPRING, main, assembly (8 leaves).....	1601A
SPRING, manhole cam.....	1820B
SPRING, manhole clamp.....	1820B
SPRING, manhole cover, assembly.....	1820B
SPRING, manhole hinge arm bumper.....	1820B
SPRING, manhole latch.....	1820B
SPRING, pintle.....	1502
SPRING, plunger, emergency valve.....	1820C
SPRING, poppet ball, slack adjuster.....	1203C
SPRING, return, brake chamber diaphragm.....	1207B
SPRING, slack adjuster poppet ball.....	1203C-1
SPRING, stuffing box, emergency valve.....	1820C
SPRING, throttle, return.....	20E1
SPRING, trip trigger operator.....	1820C
STEM, emergency valve body.....	1209E
STEM, emergency valve diaphragm cover regulating.....	1209E
STEM, faucet.....	1820D
STEM, valve, discharge nozzle.....	1820K
STOP, door.....	1805
STOP, lower, w/SET SCREW AND JAM NUTS, operator.....	1820C
STOP, throttle, lever, carburetor.....	20F1
STUD, 1/2 in. pipe thd., cut-out cock connecting.....	1209B
STUD, air cleaner.....	20F1
STUD, bracket.....	1302A
STUD, brake air chamber mounting.....	1207B-1
STUD, control lever, fuel pump.....	20D1
STUD, engine valve cover.....	20E1
STUD, fifth wheel safety latch plunger (DSF-SD-3023).....	10K1
STUD, fuel pump, packing gland, 3/8-24x23/4.....	20D1
STUD, magneto dust cover.....	20G1
STUD, radius rod.....	10F1
STUD, radius rod.....	1604
STUD, wheel hub, left.....	10H1
STUD, wheel hub, left.....	1302A
STUD, wheel hub, right.....	10H1
STUD, wheel hub, right.....	1302A
STRAINER, emergency valve air.....	1209E
STRAINER, fuel, with 40 mesh brass screen assembly.....	20D1
STRAP, engine filler cap.....	20E1
STRAP, engine fuel tank.....	20F1
SUPPORT, emergency valve diaphragm.....	1209E
SUPPORT, strainer, air filter.....	1209M

Item	Group
SWITCH, blackout, less cover, (HC-2480).....	0606
SWITCH, stop, engine.....	20E1
T	
TAG, emergency.....	1209B
TAG, service.....	1209B
TANK, fuel, engine assembly.....	20F1
TEE, brakeline tubing, 1/4 in. pipe thd., 3/8 in. tubing, assembly.....	1209C
TERMINAL, wire, No. 8 screw, 14 gauge or 16 gauge.....	0606B
TERMINAL, wire, No. 10 screw, 14 gauge or 16 gauge.....	0606B
TERMINAL, wire, 1/4 in. screw, 14 gauge or 16 gauge.....	0606B
TIRE, pneumatic, 9:00-20, MUD AND SNOW.....	2306
TRIGGER, trip, operator.....	1820C
TUBE, 9:00-20.....	2306
TUBE, fuel tank to filter, assembly.....	20F1
TUBE, fuel, w/LOCK NUT, assembly.....	1820K
TUBE, fuel discharge nozzle valve, assembly.....	1820K
TUBE, rebound clip spacer.....	10D1
TUBE, rebound clip spacer.....	1601A
TUBE, steel, Bundy Weld, 3/8 in. O.D. x .028 in. wall, 50 ft. length.....	0606B
TUBE, vacuum breaker, nozzle tube.....	1820K
TUBING, Bundy Weld, steel, 3/8 in. O.D. x .028 in. wall, 40 ft. length.....	1820E
TUBING, copper, 3/8 in. (12 ft. length).....	1209C
TUBING, copper, 3/8 in. (24 ft. length).....	1209C
TUBING, copper, 1/2 in. (6 ft. length).....	1209C
U	
UNION, brass, 3/8 in. O.D. tube.....	0606B
UNION, tubing, 3/8 in. emergency repair, assembly.....	1209C
U-BOLT, bracket.....	1820E
U-BOLT, 3/8-16NF x 13 in. w/2 1/2 in. RADIUS BEND (spring clamping).....	10E1
U-BOLT, 3/8-16NF x 13 in. w/2 1/2 in. RADIUS BEND (spring clamping).....	1602
V	
VALVE, adjusting, needle, carburetor.....	20F1
VALVE, breather.....	20E1
VALVE, choke, carburetor.....	20F1
VALVE, discharge emergency, fuel.....	1820C
VALVE, emergency relay, assembly.....	1209E
VALVE, emergency valve, assembly.....	1209E
VALVE, emergency, assembly.....	1209E
VALVE, exhaust.....	20E1
VALVE, exhaust check, assembly.....	1209M
VALVE, exhaust, stellite.....	20E1
VALVE, idle, carburetor.....	20F1
VALVE, intake.....	20E1
VALVE, intake, emergency relay valve.....	1209E
VALVE, intake, stellite.....	20E1
VALVE, manhole vent.....	1820B
VALVE, manhole vent, assembly.....	1820B
VALVE, shut-off, cut-out cock.....	1209N
VALVE, shut-off, fuel tank.....	20F1
VALVE, throttle, carburetor.....	20F1
VENTURI, carburetor.....	20F1

Item	Group	Item	Group
W			
WASHER, choke lever, carburetor	20F1	WASHER, lock, reg., S., 1/2 in.	10D1
WASHER, diaphragm, emergency relay valve	1209E	WASHER, lock, reg., S., 1/2 in.	1820E
WASHER, diaphragm, emergency valve	1209E	WASHER, lock, reg., S., 1/2 in.	1601A
WASHER, drain cock, small	1209J	WASHER, lock, 5/8 in.	1203
WASHER, exhaust check valve diaphragm	1209M	WASHER, lock, reg., S., 5/8 in. (reduction gear pinion and nut)	20G1
WASHER, fibre, carburetor inlet valve seat.....	20F1	WASHER, operator spring	1820C
WASHER, fibre, engine valve	20E1	WASHER, packing carburetor needle adjusting	20F1
WASHER, fifth wheel coupler jaw pin (DSF-FW-3022)	10K1	WASHER, pinch	1820D
WASHER, fifth wheel safety latch plunger stud (DSF-FWX-3020)	10K1	WASHER, pintle sleeve	1502
WASHER, flat, special, S., (engine base to cylinder screw)	20E1	WASHER, plain, fuel pump handwheel volume control	20D1
WASHER, fuel pump control lever	20D1	WASHER, plain, S., SAE std., 1/4 in.	1820B
WASHER, lock, air filter body	1209M	WASHER, plain, S., SAE std., 1/2 I.D. x 1 1/2 O.D. (flywheel retaining)	20E1
WASHER, lock, brake chamber mounting stud	1207B	WASHER, retainer, spring bushing	10E1
WASHER, lock, drain cock, large	1209J	WASHER, retainer, spring bushing	1602
WASHER, lock, fuel pump handwheel volume control	20D1	WASHER, shakeproof, internal teeth, type 12, stock No. 1210 S., 3/16 in.	1820B
WASHER, lock, packing nut discharge nozzle	1820K	WASHER, shakeproof, internal teeth, type 12, stock No. 1214 S., 1/4 in.	1820B
WASHER, lock, pressure plate to non-pressure plate bolt	1207B	WASHER, spacing, hub	10J1
WASHER, lock, wheel, pin type bearing nut.....	10G1	WASHER, spacing, hub	1301B
WASHER, lock, wheel, pin type bearing nut.....	1108	WASHER, spacer, brake camshaft	1203D
WASHER, lock, reg., S., (engine blower housing).....	20E1	WHEEL, fifth, semi-automatic, assembly	10K1
WASHER, lock, reg., S., No. 6 (exhaust check valve)	1209M	WHEEL, hand, flow control adjusting, fuel pump.....	20D1
WASHER, lock, reg., S., No. 8	20E1	WHEEL, w/RING, assembly	1301
WASHER, lock, reg., S., No. 8 (0.164) (magneto dust cover)	20G1	WIRE, lock, brake camshaft set screw	1203D
WASHER, lock, reg., S., No. 10 (air cleaner bolt).....	20F1	WORM, slack adjuster adjusting shaft	1203C
WASHER, lock, 5/16 (DSF-L-38)	10K1	WORM, slack adjuster adjusting shaft	1203C-1
WASHER, lock, reg., S., 5/16 in.	1203	WRAPPER, magneto armature	20G1
WASHER, lock, hv., S., 5/16 in.	1209E	WRENCH, adjustable, automobile type, 8 in. (1 1/2 in. jaw opening)	2301A
WASHER, lock, reg., S., 5/16 in.	1207B-1	WRENCH, adjustable, crescent type, single end (type 1, class B), 8 in. (15/16 in. jaw opening).....	2301A
WASHER, lock, S., 1/4 in. (carburetor elbow brace screw)	20F1	WRENCH, filler cap and spark plug	2301A
WASHER, lock, reg., S., 3/8 in.	1820E	WRENCH, plug (drain), offset handle, single end, sq. 3/8 in.	2301A
WASHER, lock, reg., S., 3/8 in. (brake shoe lining bolt)	1202	WRENCH, wheel bearing nut, double end, hex., opening, size of openings, 3-5/16 and 3 7/8	2301A
WASHER, lock, reg., S., 3/8 in. (engine base to cylinder screw)	20E1	WRENCH, wheel stud nut, double end, hex., and sq., opening, 1-33/64 in. hex., 0.817 in. sq., 1 4/8 in. long	2301
WASHER, lock, reg., S., 3/8 in. (reservoir bracket bolt)	1209D	Y	
WASHER, lock, reg., S., 1/2 in.	10H1	YOKE, brake chamber diaphragm push rod	1207B
		YOKE, engine fuel filter	20F1

OFFICIAL STOCK NUMBER INDEX

Official Stock Number	Group	Official Stock Number	Group	Official Stock Number	Group	Official Stock Number	Group
0360-P138.....	10C1	1090-290393.....	20G1	8500-2210-C-1641.....	1203D	A054-04-27253.....	20F1
0360-P187.....	10C1	1090-290394.....	20E1	8500-3219-D-1460.....	1302	A054-04-27315.....	20F1
0360-19A399.....	10C1	1090-290396.....	20E1	8500-3262-E-31.....	10H1	A054-04-27330.....	20F1
0360-11B2961.....	10C1	1090-290466.....	20F1	8500-3236-N-690.....	1203	A054-04-42780.....	20F1
0360-3087.....	10C1	2540-SD540S.....	10K1	8500-3262-E-31.....	1302	A054-04-42825.....	20E1
0850-201271.....	1207B	4180-5C1690A.....	1820B	8500-3280-D-30.....	1302	A054-04-82500.....	20F1
0850-205086.....	1209N	4180-11C1909.....	10A1	8500-A1-3274-J114.....	1108	A054-70-34534.....	20G1
0850-212135.....	1209E	4180-11C1909.....	1500	8500-A333-W-179.....	10H1	A054-70-34536.....	20E1
0850-212550.....	1207B	4180-11C1910.....	10A1	8500-A333-W-179.....	1302	A054-70-34751.....	20E1
0850-220353.....	1209E	4180-11C1910.....	1500	8500-MPS-185.....	1108	A054-70-34752.....	20E1
0850-220846.....	1209B	4180-11C1934.....	10A1	A054-01-10690.....	20G1	A054-70-34753.....	20E1
0850-221371.....	1209M	4180-11C1934.....	1500	A054-01-18120.....	20H1	A054-70-34754.....	20E1
0850-221378.....	1209M	4180-11C1935.....	10A1	A054-01-18220.....	20E1	A054-70-34755.....	20E1
0850-221385.....	1209E	4180-11C1935.....	1500	A054-01-24072.....	20E1	C031-01-00410.....	1209E
41-H-1517-50.....	2301	4180-12B1109.....	1820B	A054-01-24175.....	20F1	C039-01-12184.....	1209C
41-P-1650.....	2301-A	4180-12C1635A.....	1820B	A054-01-24226.....	20F1	C039-02-20174.....	1108
41-S-1106.....	2301-A	4180-15A696.....	1820B	A054-01-24507.....	20F1	C067-06-00095.....	1207B
41-W-446.....	2301-A	4180-19A412.....	1820B	A054-01-52015.....	20E1	D004-70-34034.....	1209E
41-W-486.....	2301-A	4180-19A413.....	1820B	A054-01-83053.....	20E1	D017-03-09544.....	0606F
41-W-1472.....	2301-A	4180-19A414.....	1820B	A054-01-83053.....	20F1	D024-02-01881.....	1209M
41-W-1952-40.....	2301-A	4180-22-978.....	1820B	A054-01-84932.....	20F1	D024-02-01882.....	1209M
41-W-2612-25.....	2301-A	4180-22A928.....	1820B	A054-01-94250.....	20E1	D024-02-03535.....	10H1
41-W-3838-30.....	2301	4180-22B955.....	1820B	A054-01-94250.....	20F1	D024-02-03535.....	1302A
44-T-5080-25.....	1209C	4180-31A306.....	1820B	A054-01-94300.....	20F1	D024-02-03536.....	10H1
44-T-5080-30.....	1209C	4180-34A2299.....	1820B	A054-01-94338.....	20F1	D024-02-03536.....	1302A
58-E-201-20.....	2301	4180-48A808.....	1820B	A054-01-94338.....	20E1	D024-02-03537.....	10H1
58-E-202.....	2301	4180-48A810.....	1820B	A054-01-94365.....	20E1	D024-02-03537.....	1302A
60-S-260-280.....	20E1	4180-48A812.....	1820B	A054-01-94385.....	20E1	D024-02-03538.....	1302A
1090-21613.....	20E1	4180-70B415.....	1820B	A054-01-94435.....	20E1	D024-02-03538.....	10H1
1090-23059.....	20F1	4180-78A510.....	10E1	A054-01-94435.....	20F1	D024-02-06140.....	1209E
1090-23386.....	20E1	4180-78A510.....	1602	A054-01-94450.....	20E1	D024-52-38158.....	1209E
1090-23663.....	20E1	4180-170558.....	10E1	A054-01-94451.....	20E1	D024-52-38159.....	1209E
1090-26485.....	20E1	4180-170558.....	1602	A054-01-94452.....	20E1	D024-52-38161.....	1209E
1090-26478.....	20E1	4180-A18A164.....	1820K	A054-01-94472.....	20E1	D024-52-38162.....	1209E
1090-26485.....	20E1	4180-A18A165.....	1820K	A054-02-11490.....	20E1	D024-52-38164.....	1209E
1090-26499.....	20E1	4180-A36B100.....	1820B	A054-02-58271.....	20E1	D024-52-38165.....	1209E
1090-26515.....	20E1	4180-A57-24.....	1820K	H054-02-76499.....	20F1	D024-52-38166.....	1209E
1090-29806.....	20G1	4180-A57-25.....	1820K	A054-02-79896.....	20E1	D024-52-38167.....	1209E
1090-29878.....	20E1	4180-A57-26.....	1820K	A054-03-10977.....	20F1	D024-52-38169.....	1209E
1090-62842.....	20G1	4180-A57-27.....	1820K	A054-03-14994.....	20G1	D024-52-38170.....	1209E
1090-89966.....	20E1	4180-A57-28.....	1820K	A054-03-14945.....	20F1	D024-52-38176.....	1209E
1090-89115.....	20E1	4180-A57-29.....	1820K	A054-03-33646.....	20F1	D024-52-38179.....	1209E
1090-89676.....	20E1	4180-A76A73.....	1820B	A054-03-39080.....	20F1	D024-52-38183.....	1209E
1090-89688.....	20E1	4180-A96A135.....	1820B	A054-03-39128.....	20E1	D024-52-38200.....	1203C
1090-89988.....	20F1	4180-G349-2.....	1820B	A054-03-39129.....	20E1	D024-52-38200.....	1209B
1090-91711.....	20E1	6678-70-35119.....	1602	A054-03-39270.....	20E1	D024-52-38201.....	1209B
1090-91712.....	20E1	6678-70-35120.....	1602	A054-03-40785.....	20E1	D024-52-38212.....	1209M
1090-92235.....	20E1	9400-3703.....	0606F	A054-03-40799.....	20E1	D029-01-00165.....	1209M
1090-205768.....	20E1	9400-11296B.....	0606F	A054-03-40799.....	20G1	D031-01-19951.....	1209B
1090-206509.....	20E1	8500-5X139.....	10J1	A054-03-40825.....	20G1	D035-03-96140.....	1209B
1090-290284.....	20F1	8500-5X139.....	1301B	A054-03-42184.....	20G1	D035-03-96141.....	1209B
1090-290289.....	20E1	8500-1199-R-434.....	1203D	A054-03-69968.....	20E1	C039-01-12185.....	1209C
1090-290290.....	10E1	8500-1205-L-116.....	10J1	A054-03-67755.....	20E1	F226-02-42470.....	0606F
1090-290291.....	20E1	8500-1205-M-117.....	10J1	A054-03-70055.....	20E1	G024-52-38174.....	1209E
1090-290292.....	20E1	8500-1205-L-116.....	1301B	A054-03-70095.....	20E1	G067-03-00740.....	10G1
1090-290293.....	20E1	8500-1205-M-117.....	1301B	A054-03-81692.....	20F1	G067-03-00740.....	1108
1090-290294.....	20E1	8500-1229-W-283.....	10J1	A054-03-82090.....	20G1	G098-56-00050.....	1209C
1090-290295.....	20F1	8500-1229-W-283.....	1301B	A054-03-82911.....	20E1	G098-56-00060.....	1209C
1090-290297.....	20F1	8500-1246-H-60.....	1203	A054-03-82930.....	20E1	G098-56-00181.....	1209B
1090-290307.....	20G1	8500-2208-A105.....	10H1	A054-03-84778.....	20E1	G101-03-04140.....	1209C
1090-290392.....	20G1	8500-2208-A-105.....	1302	A054-03-96375.....	20E1	G101-03-04160.....	1209C

OFFICIAL STOCK NUMBER INDEX

Official Stock Number	Group	Official Stock Number	Group	Official Stock Number	Group	Official Stock Number	Group
G101-03-06240	1209C	G600-01-25801	10K1	G678-70-09349	20D1	G678-70-35115	1601A
G102-03-07225	1108	G600-02-09299	10K1	G678-70-09350	20D1	G678-70-35115	10D1
G102-03-07065	1203	G600-02-40707	10K1	G678-70-09351	20D1	G678-70-35117	1601A
G102-03-07225	10G1	G600-02-40708	10K1	G678-70-09352	20D1	G678-70-35117	10D1
G102-04-0526	0606F	G600-02-71838	10K1	G678-70-09354	20D1	G678-70-35118	1602
G103-15-16202	1209J	G600-02-79846	10K1	G678-70-09355	20D1	G678-70-35118	10E1
G116-03-02200	1108	G600-02-79847	10K1	G678-70-09356	20D1	G678-70-35119	10E1
G116-03-02200	10G1	G600-03-38703	10K1	G678-70-09357	20J1	G678-70-35120	10E1
G116-15-40164	1209B	G600-03-89794	10K1	G678-70-09358	20D1	G678-70-35121	1602
G116-15-40210	1203C	G600-03-89795	10K1	G678-70-09359	20D1	G678-70-35121	10E1
G116-15-96014	1203C	G600-03-90262	10K1	G678-70-09360	20D1	G678-70-35124	1604
G116-17-14845	1209E	G671-70-01733	1203	G678-70-09361	20D1	G678-70-35124	10F1
G116-17-14892	1207B	G671-70-01734	1108	G678-70-09362	20D1	G678-70-35125	1604
G116-17-69900	1209B	G671-70-02179	1203C	G678-70-09364	20D1	G678-70-35125	1071
G116-17-70086	1203C	G671-70-02180	1203C	G678-70-09365	20D1	G678-70-35126	1604
G116-17-82011	1209E	G678-70-01374	20D1	G678-70-09366	20J1	G678-70-35126	10F1
G116-17-84623	1203C	G678-70-09299	1601A	G678-70-09367	20J1	G694-70-09229	1820K
G116-17-98492	1209C	G678-70-09299	10D1	G678-70-09368	20D1	G694-70-09230	1820K
G116-18-43027	1203D	G678-70-09302	1601A	G678-70-09369	20D1	G694-70-09231	1820K
G116-18-82431	1207B	G678-70-09302	10D1	G678-70-09370	20D1	G694-70-09233	1820K
G116-21-24070	1209N	G678-70-09305	1601A	G678-70-09371	20D1	G694-70-09234	1820K
G116-21-24073	1209B	G678-70-09305	10D1	G678-70-09372	20D1	G694-70-09235	1820K
G116-22-09302	1209N	G678-70-09306	1601A	G678-70-09373	20D1	G694-70-09236	1820K
G116-22-58753	1209N	G678-70-09306	10D1	G678-70-09375	20D1	G694-70-09392	1820K
G116-23-14740	1209N	G678-70-09308	1601A	G678-70-09376	20D1	H001-01-16026	1820E
G116-23-14776	1209D	G678-70-09308	10D1	G678-70-09377	20D1	H001-01-16228	1820B
G116-23-38701	1209B	G678-70-09313	1820D	G678-70-09378	20D1	H001-01-16341	10K1
G116-23-38702	1209N	G678-70-09314	1820C	G678-70-09379	20D1	H001-01-24365	1500
G116-23-89793	1209N	G678-70-09315	1820C	G678-70-09380	1820K	H001-01-30064	1209M
G121-01-27846	1203C	G678-70-09316	1820C	G678-70-09381	1820K	H001-05-17025	20J1
G160-01-24085	1209C	G678-70-09317	1820C	G678-70-09382	1820K	H001-07-13023	20D1
G160-01-24096	1209C	G678-70-09318	1820C	G678-70-09384	1820K	H001-07-13024	1820B
G160-01-24097	1209E	G678-70-09319	1820C	G678-70-09385	1820K	H001-07-14010	10F1
G160-01-25865	1209D	G678-70-09320	1820C	G678-70-09387	1820K	H001-07-14010	1604
G160-01-29647	1209N	G678-70-09321	1820C	G678-70-09388	1820K	H001-07-16001	1820B
G160-01-39647	1209N	G678-70-09323	1820C	G678-70-09389	1820K	H001-07-16005	20D1
G160-03-14869	1207B	G678-70-09324	1820C	G678-70-09390	1820K	H001-07-16022	1820C
G160-03-40694	1209B	G678-70-09325	1820C	G678-70-09391	1820K	H001-07-16028	10E1
G160-03-89823	1209B	G678-70-09326	1820C	G678-70-09392	1820K	H001-07-16028	1602
G508-70-09449	1820K	G678-70-09327	1820C	G678-70-09393	1820K	H001-07-16535	20G1
G509-01-29085	1203	G678-70-09328	1820C	G678-70-09394	1820K	H001-07-16610	20F1
G509-01-29087	1108	G678-70-09329	1820C	G678-70-09395	1820K	H001-07-16815	1805B
G509-01-29094	1203	G678-70-09330	1820C	G678-70-09396	1820K	H001-07-18001	2203
G509-01-31485	1203D	G678-70-09331	1820C	G678-70-09397	1820K	H001-07-18003	1108
G509-01-93814	20E1	G678-70-09332	1820C	G678-70-09399	1820K	H001-07-18003	1820E
G509-02-79846	1203	G678-70-09333	1820C	G678-70-35101	1820K	H001-07-18007	10K1
G509-03-14402	20E1	G678-70-09333	1820C	G678-70-35102	1820K	H001-07-18021	0606F
G509-03-38812	20E1	G678-70-09335	1820C	G678-70-35103	1820K	H001-07-18021	20E1
G509-03-82024	1203D	G678-70-09336	1820C	G678-70-35104	10G1	H001-07-18022	1207B-1
G509-03-84371	1203	G678-70-09337	1820C	G678-70-35105	1601A	H001-07-18022	1820C
G509-03-89503	20E1	G678-70-09338	1820B	G678-70-35105	10D1	H001-07-18023	1820D
G509-03-89792	1203	G678-70-09339	20D1	G678-70-35108	1601A	H001-07-18023	1820E
G509-03-91511	10H1	G678-70-09340	20D1	G678-70-35108	10D1	H001-07-18025	1820E
G509-03-91513	10H1	G678-70-09341	20D1	G678-70-35110	1601A	H001-07-18025	2101
G509-03-91513	1302A	G678-70-09342	20D1	G678-70-35110	10D1	H001-07-18027	10K1
G509-03-91514	1302A	G678-70-09343	20D1	G678-70-35111	1601A	H001-07-18027	1108
G510-03-84922	1108	G678-70-09344	20D1	G678-70-35111	10D1	H001-07-21001	0606B
G510-03-84923	1108	G678-70-09345	20D1	G678-70-35112	1601A	H001-07-21001	0606F
G544-06-66787	10K1	G678-70-09346	20D1	G678-70-35112	10D1	H001-07-21001	1805
G544-07-88841	10K1	G678-70-09347	20D1	G678-70-35114	1601A	H001-07-21001	1820E
G544-07-88842	10K1	G678-70-09348	20D1	G678-70-35114	10D1	H001-07-21003	10K1

OFFICIAL STOCK NUMBER INDEX

Official Stock Number	Group	Official Stock Number	Group	Official Stock Number	Group	Official Stock Number	Group
H001-07-22005	10K1	H001-10-23185	20F1	H001-15-18007	20E1	H004-03-55720	0606F
H001-08-11025	1209E	H001-10-24076	20F1	H001-15-18007	20F1	H004-03-70040	0606B
H001-08-11049	1820B	H001-10-26073	20F1	H001-15-18007	20G1	H004-504406	0608
H001-08-11055	10F1	H001-10-26076	20E1	H001-15-18007	20H1	H004-504413	0608
H001-08-11055	1604	H001-10-26076	20G1	H001-15-18007	0606F	H004-504417	0608
H001-08-11056	10K1	H001-10-26121	1820B	H001-15-18007	0608	H004-504420	0608
H001-08-11056	1502	H001-10-26124	1805	H001-15-18007	1805	H004-504423	0608
H001-08-11082	1502	H001-10-26126	20H1	H001-15-18007	1820B	H004-504430	0608
H001-08-11099	1502	H001-10-26128	1820B	H001-15-18007	1820E	H004-504432	0608
H001-08-11103	10K1	H001-10-26133	0606B	H001-15-18007	2203	H006-01-00805	1209J
H001-08-11105	1502	H001-10-26133	0606F	H001-15-18008	20H1	H006-01-01045	1209B
H001-08-11116	20D1	H001-10-26461	1820B	H001-15-18008	1203	H006-01-04045	20F1
H001-09-24035	1820B	H001-10-26465	20F1	H001-15-18008	1207B-1	H006-02-83810	1209J
H001-09-24038	1820B	H001-10-26465	20G1	H001-15-18008	1502	H006-02-30540	1209C
H001-09-24078	1820B	H001-10-28122	1820B	H001-15-18009	10K1	H006-02-82430	1203C
H001-09-24359	10A1	H001-10-30078	20G1	H001-15-18009	20E1	H006-02-83566	1203C
H001-09-24361	10A1	H001-10-30079	20G1	H001-15-18009	1108	H006-03-12600	1209C
H001-09-24364	1500	H001-10-30088	0608	H001-15-18009	1209D	H006-03-12620	1209C
H001-10-13001	20F1	H001-10-30098	1820B	H001-15-18009	1820E	H006-03-12640	1209C
H001-10-13002	20E1	H001-10-30100	1805B	H001-15-18011	10D1	H006-03-88100	1209C
H001-10-13018	1203	H001-10-30134	20E1	H001-15-18011	10H1	H012-61-28640	10J1
H001-10-13028	1203	H001-10-30134	2203	H001-15-18011	1302	H012-61-28640	1301A
H001-10-13028	1302	H001-10-30135	1820E	H001-15-18011	1601A	H012-62-12620	10J1
H001-10-13033	20D1	H001-10-30584	20F1	H001-15-18011	1820E	H012-62-12620	1301A
H001-10-13071	10H1	H001-10-30584	0606B	H001-15-18011	2101	H013-05-00114	1203
H001-10-13071	1302	H001-10-30586	10A1	H001-15-18013	10K1	H017-506101	2203
H001-10-13213	20G1	H001-10-33014	1820B	H001-15-18013	1108	H017-506102	2203
H001-10-13213	0606F	H001-10-40063	20D1	H001-15-19006	20G1	H101-12-1978	20E1
H001-10-13215	0606F	H001-10-41021	1820B	H001-15-19010	20D1	H101-116420	10K1
H001-10-13230	1207B-I	H001-15-16008	1209E	H001-15-30004	20E1	H101-503465	20F1
H001-10-13232	20D1	H001-15-16009	1302	H001-15-30004	20G1	M001-01-13046	0606
H001-10-13232	20H1	H001-15-16011	1207B	H001-15-30007	20F1	M001-01-14375	0606B
H001-10-13232	1502	H001-15-17008	0606B	H001-41-33680	10A1	M003-01-03871	1209B
H001-10-13234	20H1	H001-15-17008	0606F	H001-41-35680	1820B	M009-01-00355	1209B
H001-10-13246	1820D	H001-15-18003	1209M	H001-41-67500	0608	M009-01-01910	1209E
H001-10-13247	1820E	H001-15-18004	20E1	H001-41-67800	10H1	M009-01-02285	1209B
H001-10-13249	20E1	H001-15-18004	20F1	H001-41-67800	1302A	M009-01-04245	1209E
H001-10-13284	2101	H001-15-18004	20G1	H001-41-71680	10D1	M009-01-04350	1209E
H001-10-13285	1820E	H001-15-18005	10A1	H001-41-71680	1601A	M009-01-04360	1209E
H001-10-23135	20F1	H001-15-18005	20F1	H001-70-18711	1209M	M009-01-04425	1209B
H001-10-23151	1820C	H001-15-18005	1805B	H002-01-00130	1203C		

PART NUMBER INDEX—ORDNANCE

Number	Group	Number	Group	Number	Group	Number	Group
100658	1820B	103388	1604	114355	20H1	220066	1820E
100660	20F1	103389	10K1	114357	1820B	220080	10K1
100660	20G1	103389	1502	114363	0606B	227510	1820E
100713	20F1	103415	1502	114363	0606F	503465	20F1
100716	20E1	103420	1502	114986	20G1	504406	0608
100716	20G1	103424	10K1	114986	20E1	504413	0608
100749	20G1	103426	1502	115544	20G1	504417	0608
100762	20F1	104055	1820B	115548	20D1	504420	0608
100763	0606B	104068	1820B	116420	10K1	504423	0608
100764	10A1	104128	10A1	117051	1601A	506207	0606B
100924	20F1	104130	10A1	193982	20F1	537805	10H1
102569	1820B	104133	1500	193995	1203	537806	10H1
103044	20D1	105604	0606B	193995	1302	537809	10H1
103045	1820B	105604	0606F	213733	20D1	537810	10H1
103088	20F1	105604	1805	215912	20G1	706783	10J1
103088	1820B	105604	1820E	215912	0606F	706783	1301A
103092	20G1	105606	10K1	215914	0606F	A190781	0606F
103319	20E1	106491	20G1	215934	1207B-1	A213823C	0606B
103319	20F1	106495	1209E	215955	20D1	A228631	1209C
103319	20G1	106496	20E1	215955	20H1	A228632	1209C
103319	20H1	106496	20F1	215955	1502	A282768	0608
103319	0606F	106496	20G1	215993	1820C	A282769	0608
103319	0608	106497	10A1	216031	2101	A282770	0608
103319	1805	106497	20F1	216782	20H1	B-128186	2301
103319	1820B	106497	1805B	216793	1820E	B152751	0606F
103319	1820E	106847	1820B	216795	20E1	B161848	0606F
103319	2203A	108579	1209E	216833	1820E	C87132C	0606
103320	20H1	108580	1302	216914	20E1	C152765	2301B
103320	1203	108685	1500	218196	10K1	C153038	2301B
103320	1207B-1	109084	0608	218196	1108	C153039	2301B
103320	1502	110454	20D1	218436	1820B	C153040	2301B
103321	20E1	110499	1820B	218440	20D1	Q64EB	1805B
103321	10K1	110500	1805B	218473	10F1	Q83CC	20D1
103321	1202	110945	1820B	218473	1604	QM-06915-WS	1820K
103321	1209D	110986	20F1	218485	10K1	QM-094042V	10K1
103321	1820E	110986	20G1	218563	20E1	QM-09045-W	10K1
103323	10D1	112432	10A1	218563	0606F	QM-09046-V	10K1
103323	10H1	112723	0606B	218564	1207B-1	QM-09048-V	10K1
103323	1302	112723	0606F	218564	1820C	QM-09049-V	10K1
103323	1601A	112871	1209E	218565	1820C	QM-09101	10K1
103323	1820E	113914	1820C	218565	1820E	QM-09103V	10K1
103323	2101	113955	20E1	218571	1820E	QM-09106W	10K1
103325	10K1	113955	2203A	218571	2101	QM-09107V	10K1
103325	1108	113956	1820E	219702	1820C	QM-09108V	10K1
103339	20F1	113977	1820B	219753	10E1	QM-09109W	10K1
103361	1209F	113991	20F1	219753	1602	QM-09110V	10K1
103383	1820B	114350	1820B	220064	2203A		
103388	10F1	114353	1805	220066	1202		

PART NUMBER INDEX—MANUFACTURERS'

Number	Group	Number	Group	Number	Group	Number	Group
ELECTRIC AUTO-LITE CORP. PART NUMBERS							
AL-100149 or equal.0606B		AL-104672 or equal.0606B					
AUSTIN TRAILER EQUIPMENT CO. PART NUMBERS							
ATE-92-A-1.....	1502	ATE-T-92-A.....	1502	ATE-T-107.....	1502	ATE-101-2.....	1502
ATE-92-A-3.....	1502	ATE-T-104.....	1502	ATE-T-108.....	1502	ATE-T-102-2.....	1502
ATE-110-1.....	1502	ATE-T-105.....	1502	ATE-T-109.....	1502	ATE-T-103-2.....	1502
ATE-T-59.....	1502	ATE-T-106.....	1502	ATE-T-111.....	1502		
BRIGGS & STRATTON CORP. PART NUMBERS							
BR-92208.....	20E1	BR-23663.....	20E1	BR-62876.....	20F1	BR-89975.....	20E1
BR-21110.....	20F1	BR-23681.....	20H1	BR-63773.....	20E1	BR-89976.....	20E1
BR-21129.....	20F1	BR-23711.....	20F1	BR-63785.....	20E1	BR-89976.....	20H1
BR-21136.....	20F1	BR-26021.....	20E1	BR-63788.....	20E1	BR-89980.....	20E1
BR-21277.....	20E1	BR-26026.....	20E1	BR-63816.....	20E1	BR-89980.....	20F1
BR-21283.....	20E1	BR-26157.....	20F1	BR-65304.....	20E1	BR-89987.....	20E1
BR-21310.....	20E1	BR-26229.....	20F1	BR-65704.....	20G1	BR-89987.....	20F1
BR-21362.....	20E1	BR-26330.....	20E1	BR-65794.....	20G1	BR-89988.....	20F1
BR-21376.....	20E1	BR-26391.....	20E1	BR-65938.....	20E1	BR-89989.....	20E1
BR-21378.....	20E1	BR-26393.....	20E1	BR-65938.....	20F1	BR-90029.....	20F1
BR-21611.....	20E1	BR-26478.....	20E1	BR-65968.....	20E1	BR-90066.....	20G1
BR-21611.....	20F1	BR-26485.....	20E1	BR-66432.....	20F1	BR-90067.....	20G1
BR-21613.....	20E1	BR-26499.....	20E1	BR-67307.....	20E1	BR-90079.....	20F1
BR-22032.....	20F1	BR-26515.....	20E1	BR-67527.....	20E1	BR-90200.....	20F1
BR-22036.....	20F1	BR-27043.....	20E1	BR-67537.....	20E1	BR-90202.....	20F1
BR-22050.....	20F1	BR-27044.....	20E1	BR-67597.....	20E1	BR-90202.....	20G1
BR-22050.....	20F1	BR-27045.....	20E1	BR-67607.....	20E1	BR-90313.....	20G1
BR-22062.....	20F1	BR-27138.....	20E1	BR-68122.....	20E1	BR-90319.....	20F1
BR-22082.....	20E1	BR-27138.....	20H1	BR-68477.....	20E1	BR-90366.....	20H1
BR-22125.....	20F1	BR-27139.....	20E1	BR-68477.....	20F1	BR-90369.....	20F1
BR-22199.....	20E1	BR-27139.....	20H1	BR-68487.....	20F1	BR-90688.....	20H1
BR-22206.....	20E1	BR-29667.....	20G1	BR-68507.....	20F1	BR-90810.....	20H1
BR-22216.....	20E1	BR-29671.....	20G1	BR-68857.....	20F1	BR-90832.....	20E1
BR-22217.....	20E1	BR-29693.....	20E1	BR-68877.....	20F1	BR-90832.....	20F1
BR-22221.....	20E1	BR-29693.....	20G1	BR-68887.....	20F1	BR-90844.....	20H1
BR-22238.....	20E1	BR-29806.....	20G1	BR-68897.....	20F1	BR-90847.....	20E1
BR-22243.....	20E1	BR-29835.....	20E1	BR-68957.....	20E1	BR-90847.....	20E1
BR-22279.....	20F1	BR-29861.....	20G1	BR-68957.....	20F1	BR-90916.....	20E1
BR-22353.....	20E1	BR-29878.....	20E1	BR-68987.....	20E1	BR-91324.....	20E1
BR-22508.....	20H1	BR-37346.....	20G1	BR-68987.....	20F1	BR-91407.....	20F1
BR-22520.....	20H1	BR-38852.....	20E1	BR-89115.....	20E1	BR-91419.....	20E1
BR-23059.....	20F1	BR-38852.....	20G1	BR-89167.....	20G1	BR-91661.....	20E1
BR-23068.....	20G1	BR-61756.....	20E1	BR-89190.....	20F1	BR-91661.....	20F1
BR-23069.....	20G1	BR-61757.....	20E1	BR-89241.....	20E1	BR-91661.....	20G1
BR-23114.....	20F1	BR-61760.....	20E1	BR-89244.....	20G1	BR-91708.....	20E1
BR-23125.....	20F1	BR-61768.....	20E1	BR-89284.....	20E1	BR-91711.....	20E1
BR-23184.....	20E1	BR-61770.....	20E1	BR-89287.....	20E1	BR-91712.....	20E1
BR-23187.....	20E1	BR-61771.....	20E1	BR-89289.....	20E1	BR-91753.....	20E1
BR-23222.....	20F1	BR-61773.....	20E1	BR-89290.....	20E1	BR-91753.....	20G1
BR-23225.....	20F1	BR-61967.....	20F1	BR-89386.....	20F1	BR-91796.....	20H1
BR-23226.....	20F1	BR-62550.....	20E1	BR-89495.....	20F1	BR-91811.....	20E1
BR-23227.....	20F1	BR-62577.....	20E1	BR-89660.....	20E1	BR-91833.....	20G1
BR-23228.....	20F1	BR-62641.....	20G1	BR-89676.....	20E1	BR-91838.....	20E1
BR-23230.....	20F1	BR-62693.....	20E1	BR-89677.....	20E1	BR-91896.....	20H1
BR-23270.....	20F1	BR-62835.....	20G1	BR-89688.....	20E1	BR-91920.....	20F1
BR-23386.....	20E1	BR-62842.....	20G1	BR-89889.....	20E1	BR-92040.....	20H1
BR-23443.....	20E1	BR-62851.....	20F1	BR-89966.....	20E1	BR-92067.....	20F1
BR-23444.....	20E1	BR-62862.....	20E1	BR-89970.....	20H1	BR-92089.....	20F1

PART NUMBER INDEX—MANUFACTURERS'

Number	Group	Number	Group	Number	Group	Number	Group
--------	-------	--------	-------	--------	-------	--------	-------

BRIGGS & STRATTON CORP. PART NUMBERS—Continued

BR-92125.....	20F1	BR-92542.....	20E1	BR-99876.....	20F1	BR-290294.....	20E1
BR-92134.....	20G1	BR-99288.....	20G1	BR-99879.....	20F1	BR-290295.....	20F1
BR-92151.....	20F1	BR-99621.....	20F1	BR-205768.....	20E1	BR-290296.....	20F1
BR-92151.....	20G1	BR-99622.....	20F1	BR-206509.....	20E1	BR-290297.....	20F1
BR-92171.....	20E1	BR-99634.....	20F1	BR-290014.....	20H1	BR-290307.....	20G1
BR-92208.....	20E1	BR-99636.....	20F1	BR-290015.....	20H1	BR-290392.....	20G1
BR-92227.....	20E1	BR-99665.....	20F1	BR-290177.....	20E1	BR-290393.....	20G1
BR-92235.....	20E1	BR-99700.....	20F1	BR-290284.....	20F1	BR-290394.....	20E1
BR-92236.....	20E1	BR-99714.....	20E1	BR-290289.....	20E1	BR-290396.....	20E1
BR-92291.....	20F1	BR-99714.....	20F1	BR-290290.....	20E1	BR-290452.....	20F1
BR-92317.....	20G1	BR-99868.....	20F1	BR-290291.....	20E1	BR-290466.....	20F1
BR-92361.....	20H1	BR-99874.....	20F1	BR-290292.....	20E1		
BR-92451.....	20F1	BR-99876.....	20E1	BR-290293.....	20E1		

BUDD WHEEL CO. PART NUMBERS

BW-44460D1.....	1301						
-----------------	------	--	--	--	--	--	--

BENDIX-WESTINGHOUSE AUTOMOTIVE AIR BRAKE CO. PART NUMBERS

BWE-101M.....	1209B	BWE-202983.....	1209D	BWE-211537.....	1209E	BWE-213607.....	1209B
BWE-200029.....	1209E	BWE-202985.....	1207B	BWE-211538.....	1209E	BWE-213630.....	1209B
BWE-200359.....	1209C	BWE-203016.....	1209E	BWE-211539.....	1209E	BWE-214171.....	1209M
BWE-200360.....	1209C	BWE-203098.....	1209J	BWE-211541.....	1209E	BWE-214173.....	1209M
BWE-200361.....	1209C	BWE-203145.....	1207B	BWE-211542.....	1209E	BWE-214174.....	1209M
BWE-200365.....	1209C	BWE-203151.....	1207B	BWE-211595.....	1209E	BWE-214231.....	1209M
BWE-200406.....	1209C	BWE-203227.....	1209E	BWE-211982.....	1209C	BWE-214232.....	1209M
BWE-200438.....	1209C	BWE-203274.....	1209J	BWE-212107.....	1209B	BWE-214233.....	1209M
BWE-200974.....	1209D	BWE-203275.....	1209J	BWE-212108.....	1209B	BWE-214234.....	1209M
BWE-201045.....	1209B	BWE-203276.....	1209J	BWE-212109.....	1203C	BWE-214235.....	1209M
BWE-201225.....	1203C	BWE-203277.....	1209J	BWE-212109.....	1209B	BWE-214253.....	1209C
BWE-201271.....	1207B	BWE-203278.....	1209J	BWE-212135.....	1209E	BWE-215204.....	1209E
BWE-201318.....	1207B	BWE-203379.....	1209E	BWE-212139.....	1207B	BWE-215310.....	1209J
BWE-201326.....	1203C	BWE-203388.....	1209E	BWE-212303.....	1207B	BWE-215536.....	1209B
BWE-201327.....	1203C	BWE-203574.....	1209M	BWE-212324.....	1209B	BWE-215660.....	1209J
BWE-201499.....	1209B	BWE-203575.....	1207B	BWE-212351.....	1209N	BWE-215993.....	1209B
BWE-201500.....	1209B	BWE-203603.....	1209B	BWE-212352.....	1209E	BWE-216071.....	1209E
BWE-202639.....	1209C	BWE-203610.....	1209B	BWE-212353.....	1209E	BWE-217525.....	1209C
BWE-202651.....	1209C	BWE-203613.....	1209B	BWE-212354.....	1209E	BWE-217750.....	1207B
BWE-202690.....	1209E	BWE-203680.....	1203C	BWE-212355.....	1209N	BWE-217843.....	1207B
BWE-202691.....	1209E	BWE-203754.....	1209C	BWE-212356.....	1209E	BWE-217799.....	1209N
BWE-202692.....	1209E	BWE-203755.....	1209C	BWE-212357.....	1203C	BWE-220001.....	1207B
BWE-202693.....	1209E	BWE-203788.....	1209M	BWE-212550.....	1207B	BWE-220165.....	1209B
BWE-202695.....	1209E	BWE-203888.....	1209D	BWE-212628.....	1203C	BWE-220303.....	1209B
BWE-202696.....	1209E	BWE-204055.....	1209E	BWE-212629.....	1203C	BWE-220304.....	1209E
BWE-202697.....	1209E	BWE-204056.....	1209E	BWE-212630.....	1203C	BWE-220305.....	1209E
BWE-202698.....	1209E	BWE-204568.....	1209E	BWE-212631.....	1203C	BWE-220353.....	1209E
BWE-202699.....	1209E	BWE-204650.....	1209E	BWE-212632.....	1203C	BWE-220636.....	1209B
BWE-202735.....	1209E	BWE-204651.....	1209E	BWE-212641.....	1209J	BWE-220829.....	1209E
BWE-202736.....	1209E	BWE-205053.....	1209C	BWE-212930.....	1209B	BWE-220846.....	1209B
BWE-202737.....	1209E	BWE-205086.....	1209E	BWE-212953.....	1209B	BWE-221053.....	1209M
BWE-202738.....	1209E	BWE-205103.....	1209C	BWE-213224.....	1209F	BWE-221087.....	1209M
BWE-202741.....	1209E	BWE-205134.....	1209C	BWE-213225.....	1209E	BWE-221135.....	1209E
BWE-202743.....	1209E	BWE-205267.....	1209D	BWE-213226.....	1209E	BWE-221371.....	1209M
BWE-202744.....	1209E	BWE-205824.....	1209C	BWE-213227.....	1209E	BWE-221378.....	1209M
BWE-202746.....	1209E	BWE-205730.....	1209B	BWE-213228.....	1209E	BWE-221385.....	1209E
BWE-202747.....	1209E	BWE-205948.....	1207B	BWE-213229.....	1209E	BWE-221474.....	1209M
BWE-202869.....	1209E	BWE-211155.....	1209B	BWE-213230.....	1209E	BWE-221539.....	1209E
BWE-202982.....	1209E	BWE-211367.....	1209E	BWE-213387.....	1209E	BWE-221620.....	1203C

PART NUMBER INDEX—MANUFACTURERS'

Number	Group	Number	Group	Number	Group	Number	Group
--------	-------	--------	-------	--------	-------	--------	-------

BENDIX-WESTINGHOUSE AUTOMOTIVE AIR BRAKE CO. PART NUMBERS—Continued

BWE-221621.....	1203C	BWE-230109.....	1209M	BWE-230224.....	1203C		
BWE-230107.....	1209M	BWE-230111.....	1209M	BWE-230523.....	1209C		
BWE-230108.....	1209M	BWE-230223.....	1203C	BWE-230525.....	1209C		

CLUM MANUFACTURING CO. PART NUMBERS

CL-16538.....	0607C	CL-5360.....	0607C				
---------------	-------	--------------	-------	--	--	--	--

CLAY & BAILEY MANUFACTURING CO. PART NUMBERS

CLB-353.....	1820B						
--------------	-------	--	--	--	--	--	--

COVERT MANUFACTURING CO. PART NUMBERS

CVT-821-B.....							
----------------	--	--	--	--	--	--	--

EBERHARD MANUFACTURING CO. PART NUMBERS

EB-4877R.....	1805B						
---------------	-------	--	--	--	--	--	--

FONTAINE TRUCK CO. PART NUMBERS

FTC-F-504-2.....	10K1	FTC-F-539-14.....	10K1	FTC-F-540-X.....	10K1	FTC-PC-141.....	10K1
FTC-F-539-1.....	10K1	FTC-F-539-15.....	10K1	FTC-F-540-1.....	10K1	FTC-PC-163.....	10K1
FTC-F-539-3R.....	10K1	FTC-F-539-16.....	10K1	FTC-F-540-3.....	10K1	FTC-PL-114.....	10K1
FTC-F-539-7.....	10K1	FTC-F-539-17.....	10K1	FTC-F-540-4.....	10K1	FTC-PN-328-H.....	10K1
FTC-F-539-10.....	10K1	FTC-F-539-18.....	10K1	FTC-PA-43716-A.....	10K1	FTC-PN-382-H.....	10K1
FTC-F-539-11.....	10K1	FTC-F-539-19.....	10K1	FTC-PA-44701.....	10K1	FTC-PN-383-H.....	10K1
FTC-F-539-12.....	10K1	FTC-F-539-20.....	10K1	FTC-PB-426-H.....	10K1		
FTC-F-539-13.....	10K1	FTC-F-539-3L.....	10K1	FTC-PB-453-CH.....	10K1		

COLE-HERSEE COMPANY PART NUMBERS

HC-2480.....	0606						
--------------	------	--	--	--	--	--	--

THE HEIL COMPANY PART NUMBERS

HLC-A57-24.....	1820K	HLC-A58C789.....	1508	HLC-3087.....	10C1	HLC-19A420.....	1820B
HLC-A57-25.....	1820K	HLC-A96A135.....	1820B	HLC-4A453.....	10C1	HLC-19A594.....	1805B
HLC-A57-26.....	1820K	HLC-A12B1658.....	1817	HLC-4A454.....	10C1	HLC-22B243.....	1820E
HLC-A57-27.....	1820K	HLC-BC41-3.....	2101	HLC-4A455.....	10C1	HLC-22A272.....	1820E
HLC-A57-28.....	1820K	HLC-BW296-A.....	1820E	HLC-6C681.....	0606B	HLC-22B567.....	1820E
HLC-A57-29.....	1820K	HLC-BW296-B.....	1820E	HLC-6C696.....	0606B	HLC-22A893.....	0606B
HLC-A76A73.....	1820B	HLC-BW296-C.....	1820E	HLC-76A99LH.....	1805B	HLC-22B898.....	1820E
HLC-A151B62.....	1817	HLC-EC-1.....	1819	HLC-9A592.....	10F1	HLC-22A928.....	1820B
HLC-A151C69.....	0606B	HLC-G349-2.....	1820B	HLC-9A592.....	1604	HLC-22B955.....	1820B
HLC-A153C87.....	1805	HLC-GG-124.....	1820B	HLC-103A57.....	1820B	HLC-22-978.....	1820B
HLC-A153C88.....	1805	HLC-P-138.....	10C1	HLC-103C73.....	10E1	HLC-22A996.....	0606B
HLC-A153A89.....	1805	HLC-P-187.....	10C1	HLC-103C73.....	1602	HLC-31A306.....	1820B
HLC-A153C90.....	1805	HLC-W-129.....	1508	HLC-141B15.....	10E1	HLC-33A264.....	1820B
HLC-A153B91.....	1805	HLC-W48A226.....	1820B	HLC-141B15.....	1602	HLC-36B128.....	10E1
HLC-A18A164.....	1820K	HLC-O-141LH.....	1805B	HLC-14A577.....	1820B	HLC-36B128.....	1602
HLC-A18A165.....	1820K	HLC-O-142RH.....	1805B	HLC-14A579.....	1820B	HLC-36B136.....	1820E
HLC-A19A552.....	1820B	HLC-1X-37.....	1820E	HLC-15A665.....	10E1	HLC-40A775.....	1820B
HLC-A26C864.....	10B1	HLC-349-2-7/32- 1/34.....	1820B	HLC-15A665.....	1602	HLC-43-152.....	10C1
HLC-A31A312.....	1820B	HLC-53A4.....	10C1	HLC-15A696.....	1820B	HLC-43-153.....	10C1
HLC-A36B100.....	1820B	HLC-102A7.....	1820B	HLC-19A399.....	10C1	HLC-45-291.....	1820E
HLC-A47A215.....	10F1	HLC-No. 1210.....	1820B	HLC-19A412.....	1820B	HLC-47A214.....	1820B
HLC-A47A215.....	1604	HLC-No. 1214.....	1820B	HLC-19A413.....	1820B	HLC-47A316.....	1820B
HLC-A58A499.....	1820E	HLC-201-1.....	10C1	HLC-19A414.....	1820B	HLC-48A785.....	1820B

PART NUMBER INDEX—MANUFACTURERS'

Number	Group	Number	Group	Number	Group	Number	Group
--------	-------	--------	-------	--------	-------	--------	-------

THE HEIL COMPANY PART NUMBERS—Continued

HLC-48A806.....	1820B	HLC-70B411.....	1820B	HLC-104068.....	1820B	HLC-117051.....	10D1
HLC-48A808.....	1820B	HLC-70B415.....	1820B	HLC-104128.....	10A1	HLC-117051.....	1601A
HLC-48A810.....	1820B	HLC-76A100.....	1805B	HLC-104130.....	10A1	HLC-12A1046.....	0606B
HLC-48A812.....	1820B	HLC-78A217.....	1820E	HLC-104133.....	1500	HLC-12B1109.....	1820B
HLC-5C1690A.....	1820B	HLC-78A510.....	10E1	HLC-106847.....	1820B	HLC-12D1125A.....	1820B
HLC-5B1829.....	1805	HLC-78A510.....	1620	HLC-109084.....	0608	HLC-12C1634A.....	1820B
HLC-5B1830.....	1805	HLC-96A204.....	1820B	HLC-110499.....	1820B	HLC-12A1645.....	0606B
HLC-5B1831.....	1805	HLC-96A205.....	1820B	HLC-110945.....	1820B	HLC-124A137.....	1805
HLC-5B1832.....	1805	HLC-100658.....	1820B	HLC-11C1909.....	10A1	HLC-170558.....	10E1
HLC-58-819.....	1820E	HLC-102569.....	1820B	HLC-11C1909.....	1500	HLC-170558.....	1602
HLC-52A439.....	10F1	HLC-103088.....	1820B	HLC-11C1910.....	10A1	HLC-176096.....	10D1
HLC-52A439.....	1604	HLC-103319.....	0608	HLC-11C1910.....	1500	HLC-176096.....	1601A
HLC-53A188R.....	1820B	HLC-103319.....	1820B	HLC-11A1918.....	1209D	HLC-22-1152.....	1820K
HLC-53A188L.....	1820B	HLC-103320.....	1502	HLC-11A1918-1.....	1209D	HLC-22-1153.....	1820K
HLC-53-350.....	10C1	HLC-103323.....	10D1	HLC-11C1934.....	10A1	HLC-22-1154.....	1820K
HLC-54-658.....	0606B	HLC-103323.....	1601A	HLC-11C1934.....	1500	HLC-27B1289.....	10F1
HLC-54-658.....	1820E	HLC-103388.....	10F1	HLC-11C1935.....	10A1	HLC-27B1289.....	1604
HLC-55A316.....	10E1	HLC-103388.....	1604	HLC-11C1935.....	1500	HLC-27A-1456.....	1820B
HLC-55A316.....	1602	HLC-103383.....	1820B	HLC-11A2439.....	1820B	HLC-34A2299.....	1820B
HLC-56A203RH.....	1820B	HLC-103389.....	1502	HLC-11A2780.....	1805B	HLC-34B4747.....	10A1
HLC-56A203LH.....	1820B	HLC-103415.....	1502	HLC-11A2858.....	1820E	HLC-34A4776.....	1820B
HLC-56A204.....	1820B	HLC-103420.....	1502	HLC-11B2961.....	10C1	HLC-48A1073.....	1805B
HLC-58-820.....	1820E	HLC-103426.....	1502	HLC-114350.....	1820B		
HLC-70B199.....	1805D	HLC-104055.....	1820B	HLC-114357.....	1820B		

IMPERIAL BRASS MANUFACTURING COMPANY PART NUMBERS

IB-62F.....	0606B	IB-68F.....	1820E		
-------------	-------	-------------	-------	--	--

K-D LAMP COMPANY PART NUMBERS

K-333A.....	2203-A	KD-2461.....	0608	KD-8040-6V.....	0608	KD-950-1-6V.....	0608
KD-333R.....	2203-A	KD-6798.....	0608	KD-8041-6V.....	0608		
KD-2460.....	0608	KD-8039-6V.....	0608	KD-8045.....	0608		

KICKHAEFER MANUFACTURING COMPANY PART NUMBERS

KH-TC-4.....	0606B	KH-TC-58.....	0606B	KH-TC-89.....	10A1	KH-TC-149.....	10A1
--------------	-------	---------------	-------	---------------	------	----------------	------

MAREMONT AUTOMOTIVE PRODUCTS, INC. PART NUMBERS

MAR-X-2-290.....	10D1	MAR-19B401-2.....	1601A	MAR-19B401-5.....	1601A	MAR-33-243.....	1601A
MAR-X-2-290.....	1601A	MAR-19B401-2A.....	10D1	MAR-19B401-6.....	10D1	MAR-33-244.....	10D1
MAR-19B401.....	10D1	MAR-19B401-2A.....	1601A	MAR-19B401-6.....	1601A	MAR-33-244.....	1601A
MAR-19B401.....	1601A	MAR-19B401-3.....	10D1	MAR-19B401-7.....	10D1	MAR-34-487.....	10D1
MAR-19B401-A.....	10D1	MAR-19B401-3.....	1601A	MAR-19B401-7.....	1601A	MAR-34-487.....	1601A
MAR-19B401-A.....	1601A	MAR-19B401-3A.....	10D1	MAR-19B401-8.....	10D1	MAR-48-985.....	10D1
MAR-19B401-1A.....	1601A	MAR-19B401-3A.....	1601A	MAR-19B401-8.....	1601A	MAR-48-985.....	1601A
MAR-19B401-M.....	1601A	MAR-19B401-4.....	10D1	MAR-33-242.....	10D1	MAR-34-2871.....	10D1
MAR-19B401-1M.....	10D1	MAR-19B401-4.....	1601A	MAR-33-242.....	1601A	MAR-34-2871.....	1601A
MAR-19B401-2.....	10D1	MAR-19B401-5.....	10D1	MAR-33-243.....	10D1		

MORRISON BROTHERS PART NUMBERS

MBR-203F-3.....	1820C	MBR-203F5-3.....	1820C	MBR-203F11-3.....	1820C	MBR-203F16-3.....	1820C
MBR-203F1-3.....	1820C	MBR-203F6-3.....	1820C	MBR-203F12-3.....	1820C	MBR-203F17-3.....	1820C
MBR-203F2-3.....	1820C	MBR-203F7-3.....	1820C	MBR-203F13-3.....	1820C	MBR-203F18-3.....	1820C
MBR-203F3-3.....	1820C	MBR-203F9-3.....	1820C	MBR-203F14-3.....	1820C		
MBR-203F4-3.....	1820C	MBR-203F10-3.....	1820C	MBR-203F15-3.....	1820C		

PART NUMBER INDEX—MANUFACTURERS'

Number	Group	Number	Group	Number	Group	Number	Group
--------	-------	--------	-------	--------	-------	--------	-------

MIDLAND STEEL PRODUCTS COMPANY PART NUMBERS

MSP-N-1582-A.....	1203C-1	MSP-N-10675.....	1207B-1	MSP-N-11331.....	1207B-1	MSP-8-X-11.....	1203C-1
MSP-N-2340.....	1207B-1	MSP-N-10885.....	1203C-1	MSP-N-11332.....	1207B-1	MSP-8-X-39.....	1207B-1
MSP-N-2597.....	1200-1	MSP-N-10887-A.....	1203C-1	MSP-N-11335.....	1207B-1	MSP-9-X-135.....	1203C-1
MSP-N-2597-A.....	1203C-1	MSP-N-10917.....	1203C-1	MSP-N-11137-A.....	1207B-1	MSP-14-X-181.....	1207B-1
MSP-N-2598.....	1203C-1	MSP-N-10944-A.....	1203C-1	MSP-2-X-34.....	1207B-1	MSP-15-X-10.....	1203C-1
MSP-N-3227.....	1207B-1	MSP-N-11243.....	1203C-1	MSP-3-X-11.....	1207B-1	MSP-10918-A.....	1203C-1
MSP-N-10520-D.....	1207B-1	MSP-N-11244.....	1203C-1	MSP-4-X-15.....	1207B-1		

MILWAUKEE VALVE COMPANY PART NUMBERS

MVC-P-855.....	1820D	MVC-3950-J.....	1820D	MVC-6620-J.....	1820D	MVC-26064-JB.....	1820D
MVC-3171-J.....	1820D	MVC-4450-J.....	1820D	MVC-7084-J.....	1820D	MVC-38051-J.....	1820D
MVC-3537-J.....	1820D	MVC-4831-J.....	1820D	MVC-22102-J.....	1820D	MVC-38052-J.....	1820D
MVC-3619-J.....	1820D	MVC-6515-J.....	1820D	MVC-22114-J.....	1820D		

OHIO PATTERN WORKS AND FOUNDRY PART NUMBERS

ON-B-1590.....	1820K	ON-H4448B-1.....	1820K	ON-RB-3.....	1820K	ON-132BC.....	1820K
ON-B-1620.....	1820K	ON-HM72.....	1820K	ON-RB271.....	1820K	ON-132T-1½.....	1820K
ON-B-1621.....	1820K	ON-HM284.....	1820K	ON-RB272.....	1820K	ON-132T-2.....	1820K
ON-B-1658.....	1820K	ON-HM-440.....	20D1	ON-RB367.....	20D1	ON-132BG.....	1820K
ON-B-3611.....	1820K	ON-HM-714.....	1820K	ON-RB-561.....	1820K	ON-132BH.....	1820K
ON-C884B.....	1820K	ON-HRB-4.....	1820K	ON-RB-562.....	1820K	ON-187-1½.....	20D1
ON-C1116B.....	1820K	ON-M95.....	1820K	ON-RB-563.....	1820K	ON-531F-1.....	1820K
ON-C1135B.....	1820K	ON-M-662.....	1820K	ON-RB-519.....	1820K	ON-531F-2.....	1820K
ON-CB1039.....	1820K	ON-M-2448.....	1820K	ON-RB-3612.....	1820K	ON-531M-1.....	1820K
ON-H447B-1.....	1820K	ON-M-3444.....	1820K	ON-RB-3614.....	1820K	ON-531M-2.....	1820K
ON-H2567B.....	1820K	ON-M-3613.....	1820K	ON-RB-3618.....	1820K	ON-711WC.....	1820K
ON-H3667M.....	1820K	ON-M-3617.....	1820K	ON-S-108.....	1820K	ON-3673M.....	1820K
ON-H3673M.....	1820K	ON-M-3760.....	1820K	ON-30AW.....	1820K	ON-4460B-2.....	1820K
ON-H3923B.....	1820K	ON-MI-72.....	20D1	ON-71G.....	1820K	ON-4461B-2.....	1820K
ON-H3927M.....	1820K	ON-MI-73.....	20D1	ON-128R.....	1820K		
ON-H4277.....	1820K	ON-MI-173.....	20D1	ON-131EG.....	1820K		
ON-H4432B.....	1820K	ON-R-3905.....	1820K	ON-132B.....	1820K		

PHILADELPHIA VALVE COMPANY PART NUMBERS

PVC-A2865.....	1820C	PVC-S-525-1.....	1820C	PVC-1674-A.....	1820C	PVC-1674-4.....	1820C
PVC-A3182-A.....	1820C	PVC-S-525-2.....	1820C	PVC-2063.....	1820C	PVC-1733-1.....	1820C
PVC-A2841-2.....	1820C	PVC-S-625-1.....	1820C	PVC-2527.....	1820C	PVC-2215-3.....	1820C
PVC-A2864-2.....	1820C	PVC-S-718-1.....	1820C	PVC-2527-A.....	1820C	PVC-2424-2.....	1820C
PVC-A3181-2.....	1820C	PVC-S-1000-1.....	1820C	PVC-2988.....	1820C	PVC-2527-1.....	1820C
PVC-S-125-1.....	1820C	PVC-S-1000-8.....	1820C	PVC-1001-1.....	1820C	PVC-2527-2.....	1820C
PVC-S-125-2.....	1820C	PVC-S-1000-9.....	1820C	PVC-1662-1.....	1820C	PVC-2527-3.....	1820C
PVC-S-131-1.....	1820C	PVC-1666.....	1820C	PVC-1662-2.....	1820C	PVC-2527-4.....	1820C
PVC-S-462-1.....	1820C	PVC-1673.....	1820C	PVC-1664-3.....	1820C		

PRITZLAFF HARDWARE COMPANY PART NUMBERS

PHC-72.....	1805B	PHC-143K.....	1805B		
-------------	-------	---------------	-------	--	--

THOMAS & BETTS COMPANY PART NUMBERS

TB-B36.....	0606B	TB-B77.....	0606B	TB-H-148.....	0606B	TB-H-166.....	0606B
TB-B71.....	0606B						

TIMKEN-DETROIT AXLE COMPANY PART NUMBERS

TD-A1-3274-J-114.....	10G1	TD-A27-3222-B-210.....	1202	TD-A-339-W-179.....	10H1	TD-A1898-U-230.....	1203
TD-A1-3274-J-114.....	1108	TD-A28-3222-B-210.....	1202	TD-A-333-W-179.....	1302	TD-AT-6880.....	10G1

PART NUMBER INDEX—MANUFACTURERS'

Number	Group	Number	Group	Number	Group	Number	Group
--------	-------	--------	-------	--------	-------	--------	-------

TIMKEN-DETROIT AXLE COMPANY PART NUMBERS—Continued

TD-AT-6800.....	1108	TD-X-702.....	1203	TD-1199-K-1051.....	10H1	TD-2203-J-374.....	1108
TD-B40-333-W-179..	10H1	TD-X-1260.....	1203	TD-1199-K-1051.....	1302A	TD-2203-P-432.....	1202
TD-B40-333-W-179..	1302	TD-X-1915.....	1202	TD-1199-L-1052.....	10H1	TD-2203-Q-433.....	1202
TD-B41-333-W-179..	10H1	TD-X-1916.....	1202	TD-1199-L-1052.....	1302A	TD-2203-R-434.....	1202
TD-B41-333-W-179..	1302	TD-X-3211-Q-953...	1203	TD-1199-M-1053.....	10H1	TD-2208-A-105.....	10H1
TD-B42-333-W-179..	1302	TD-2X-19.....	1203	TD-1199-M-1053.....	1302A	TD-2208-A-105.....	1302
TD-B42-333-W-179..	1302	TD-2X-19.....	1302	TD-1199-N-1054.....	10H1	TD-2210-B-1640.....	1203D
TD-B43-333-W-179..	1302	TD-2X-43.....	10H1	TD-1199-N-1054.....	1302A	TD-2210-C-1641.....	1203D
TD-MPS-185.....	1202	TD-2X-43.....	1302	TD-1205-L-116.....	10J1	TD-2240-M-585.....	1202
TD-T-2090N.....	10G1	TD-4X-389.....	1302A	TD-1205-L-116.....	1301B	TD-2258-A-53.....	1203A
TD-T-2090-W.....	1108	TD-5X-139.....	10J1	TD-1205-M-117.....	10J1	TD-2297-L-168.....	1202
TD-T-3108.....	1203D	TD-5X-139.....	1301B	TD-1205-M-117.....	1301B	TD-2297-Z-388.....	1108
TD-T-3564.....	10G1	TD-13X-7.....	1108	TD-1225-G-85.....	1203	TD-3219-D-1460.....	1302
TD-T-3564.....	1108	TD-13X-9.....	10H1	TD-1227-E-265.....	10H1	TD-3222-B-210.....	1202
TD-T-3840.....	10G1	TD-13X-9.....	1302A	TD-1229-D-108.....	1203	TD-3236-N-690.....	1203
TD-T-3840.....	1108	TD-20X-27.....	10H1	TD-1229-R-122.....	1203D	TD-3262-E-31.....	10H1
TD-X-528.....	1203	TD-20X-27.....	1302A	TD-1229-E-265.....	1302A	TD-3262-E-31.....	1302
TD-X-529.....	1202	TD-20X-28.....	10H1	TD-1229-W-283.....	10J1	TD-3280-D-30.....	1302
TD-X-529.....	1302	TD-20X-28.....	1302A	TD-1229-W-283.....	1301B	TD-3299-B-522.....	1108
TD-X-531.....	10H1	TD-26X-4.....	1203D	TD-1229-T-514.....	1203	TD-3299-C-523.....	1108
TD-X-531.....	1302	TD-1107-C-29.....	1302	TD-1244-G-111.....	10H1	TD-15015.....	1202
TD-X-533.....	1108	TD-1199-R-434.....	1203D	TD-1246-H-60.....	1203		
TD-X-541.....	1202	TD-1199-F-760.....	1203	TD-1259-B-28.....	1203		

TIMKEN ROLLER BEARING COMPANY PART NUMBERS

TIM-5520.....	10J1	TIM-5520.....	1301A	TIM-5557.....	10J1	TIM-5557.....	1301A
---------------	------	---------------	-------	---------------	------	---------------	-------

WARNER ELECTRIC BRAKE MANUFACTURING COMPANY PART NUMBERS

WEB-3529.....	0606F	WEB-20098.....	0606F	WEB-11296B.....	0606F	WEB-110007.....	0606F
WEB-3703.....	0606F	WEB-20099.....	0606F	WEB-11935B.....	0606F		

YALE & TOWNE MANUFACTURING COMPANY PART NUMBERS

YA-GJ-745.....	20D1	YA-J722.....	20D1	YA-J761.....	20D1	YA-J1058.....	20D1
YA-GJ1-173.....	20D1	YA-J723.....	20D1	YA-J762.....	20D1	YA-J1059.....	20D1
YA-H1042A.....	20D1	YA-J742.....	20D1	YA-J763.....	20D1	YA-J1303.....	20D1
YA-H1509.....	20D1	YA-J743.....	20D1	YA-J764.....	20D1	YA-J1331.....	20D1
YA-H1511.....	20D1	YA-J744.....	20D1	YA-J767.....	20D1	YA-J1361.....	20D1
YA-J170.....	20D1	YA-J746.....	20D1	YA-J768.....	20D1	YA-J1592.....	20D1
YA-J501.....	20D1	YA-J749.....	20D1	YA-J770.....	20D1	YA-J1613.....	20J1
YA-J504.....	20D1	YA-J751.....	20D1	YA-J771.....	20D1	YA-J1614.....	20J1
YA-J505.....	20D1	YA-J752.....	20D1	YA-J779.....	20D1	YA-J1614A.....	20J1
YA-J506.....	20D1	YA-J753.....	20D1	YA-J803.....	20D1	YA-J1616.....	20J1
YA-J507.....	20D1	YA-J757.....	20D1	YA-J804.....	20D1	YA-J1617.....	20D1
YA-J716.....	20D1	YA-J759.....	20D1	YA-J1006E.....	20D1	YA-J30-267.....	20D1
YA-J721.....	20D1	YA-J760.....	20D1	YA-J1006F.....	20D1	YA-20-DV.....	20D1

ORD 7-8-9 SNL G-678

SEMITRAILER, 6-TON PAYLOAD, 10-TON GROSS,
2 WHEEL, FUEL TANK, 2000 GAL. (MODEL ST-6-2M)

BBY
GSEEDTEL

15 NOVEMBER 1944