

TM 11-5830-340-12

TECHNICAL MANUAL

OPERATOR'S AND ORGANIZATIONAL MAINTENANCE MANUAL

INTERCOMMUNICATION SET

AN/VIC-1 (V)

(NSN 5830-00-856-3273)

CONTROL, INTERCOMMUNICATION

SETS C-10456/VRC

(NSN 5830-01-082-0804)

AND C-10680/VRC

AND AMPLIFIER, AUDIO

FREQUENCY AM-7046/VRC

This publication is required for official use or for administrative or operational purposes only. Distribution is limited to US Government Agencies. Other requests for this document must be referred to Commander, US Army Communications-Electronics Command and Fort Monmouth, ATTN: AMSEL-ME-P, Fort Monmouth, NJ 07703-5007.

HEADQUARTERS, DEPARTMENT OF THE ARMY

15 JANUARY 1986

SAFETY PRECAUTION

REVIEW THE SAFETY IDEAS IN TB 385-4 (SAFETY PRECAUTIONS FOR MAINTENANCE OF ELECTRICAL/ELECTRONIC EQUIPMENT).

When the equipment is operated with covers removed, **DO NOT TOUCH** exposed connections or components. **MAKE CERTAIN** you are not grounded when making connections or adjusting components inside the equipment.

If someone is a victim of **ELECTRICAL SHOCK**, follow the **FIVE SAFETY STEPS** given in the **SAFETY INSTRUCTIONS** in the front of this manual.

DO NOT SERVICE OR ADJUST EQUIPMENT ALONE!!!

Do not attempt internal service or adjustment unless another person, capable of giving **FIRST AID** and **RESUSCITATION**, is **PRESENT**.



5

**SAFETY STEPS TO FOLLOW IF SOMEONE
IS THE VICTIM OF ELECTRICAL SHOCK**

1

DO NOT TRY TO PULL OR GRAB THE INDIVIDUAL

2

IF POSSIBLE, TURN OFF THE ELECTRICAL POWER

3

**IF YOU CANNOT TURN OFF THE ELECTRICAL
POWER, PULL, PUSH OR LIFT THE PERSON TO
SAFETY USING A WOODEN POLE OR A ROPE OR
SOME OTHER INSULATING MATERIAL**

4

SEND FOR HELP AS SOON AS POSSIBLE

5

**AFTER THE INJURED PERSON IS FREE OF
CONTACT WITH THE SOURCE OF ELECTRICAL
SHOCK, MOVE THE PERSON A SHORT DISTANCE
AWAY AND IMMEDIATELY START ARTIFICIAL
RESUSCITATION**

WARNING

Do not be misled by the term "low voltage". Potentials as low as 50 volts can cause death under adverse conditions. Remove or tape all exposed personal metal objects such as watches, rings or medallions before working on equipment.

WARNING

Adequate ventilation should be provided while using TRICHLOROTRIFLUOROETHANE. Prolonged breathing of vapor should be avoided. The solvent should not be used near heat or open flame; the products of decomposition are toxic and irritating. Since TRICHLOROTRIFLUOROETHANE dissolves natural oils, prolonged contact with skin should be avoided. When necessary, use gloves which the solvent cannot penetrate. If the solvent is taken internally, consult a physician immediately.

WARNING

The vehicle battery can give off explosive gas. Don't smoke and be careful to avoid sparks when working near the battery; otherwise, you may cause an explosion injuring yourself and others.

CAUTION

Throughout this manual, there are cautions that must be observed when doing specific tasks to avoid possible damage to the equipment. Read each caution carefully and adhere to the appropriate safety procedures when doing the work.

TECHNICAL MANUAL

NO. 11-5830-340-12

HEADQUARTERS
DEPARTMENT OF THE ARMY
Washington, DC, 15 January 1986

**OPERATOR'S AND ORGANIZATIONAL
MAINTENANCE MANUAL
INTERCOMMUNICATION SET
AN/VIC-1(V)
(NSN 5830-00-856-3273)
CONTROL, INTERCOMMUNICATION
SETS C-10456/VRC
(NSN 5830-01-082-0804)
AND C-10680/VRC
AND AMPLIFIER, AUDIO
FREQUENCY AM-7046/VRC**

REPORTING ERRORS AND RECOMMENDING IMPROVEMENTS

You can help improve this manual. If you find any mistakes or if you know of a way to improve the procedures, please let us know. Mail your letter, DA Form 2028 (Recommended Changes to Publications and Blank Forms), or DA Form 2028-2 located in back of this manual direct to Commander, US Army Communications-Electronics Command and Fort Monmouth, ATTN: AMSEL-ME-MP, Fort Monmouth, NJ 07703-5007.

In either case, a reply will be furnished direct to you.

TABLE OF CONTENTS

	<i>Paragraph</i>	<i>Page</i>
CHAPTER 1. INTRODUCTION		
Section I. General		
Scope	1-1	1-1
Maintenance forms, records and reports	1-2	1-3
Reporting equipment improvement recommendations (EIR)	1-3	1-3
Administrative storage	1-4	1-3
Destruction of Army electronic materiel	1-5	1-3
Hand receipt manuals	1-6	1-3
Consolidated index of Army publications and blank forms	1-7	1-3
Section II. Description and Data		
Purpose and use	1-8	1-3
Technical characteristics	1-9	1-4
Components	1-10	1-4
Description	1-11	1-4
Equipment required to make AN/VIC-1(V) operational	1-12	1-5
Differences in models	1-13	1-6
CHAPTER 2. OPERATING INSTRUCTIONS		
Section I. Jacks, Controls and Indicators		
Amplifier, Audio Frequency AM-1780/VRC jacks, controls and indicator	2-1	2-1
AM-7046/VRC differences	2-2	2-2
C-2298/VRC or C-10680/VRC jacks and controls	2-3	2-2
C-2297/VRC jacks, controls and indicator	2-4	2-3
C-2296/VRC jacks, controls, indicator and H-207/VRC	2-5	2-4
C-10456/VRC jacks and controls	2-6	2-5
Control, Intercommunication Set C-10680/VRC	2-7	2-5

* This manual supersedes TM 11-5830-12, 28 September 1973, including all changes.

		Paragraph	Page
Section	II. Operating Procedures		
	Connections and use of audio accessories	2-8	2-5
	Operation of AN/VIC-1(V) for radio and intercom functions	2-9	2-12
	Operational check procedures	2-10	2-13
CHAPTER	3. OPERATOR MAINTENANCE INSTRUCTIONS		
Section	I. Preventive Maintenance		
	Scope of operator maintenance	3-1	3-1
	Preventive maintenance, general	3-2	3-1
	Cleaning equipment	3-3	3-2
	II. Operator Troubleshooting Procedures		
	Troubleshooting by visual inspection	3-4	3-3
	Procedures for operator to troubleshoot radio-intercom system	3-5	3-3
CHAPTER	4. INSTALLATION		
Section	I. General		
	Service upon receipt of equipment	4-1	4-1
	Nonvehicular installation	4-2	4-1
	II. Installation Procedures		
	Installing AN/VIC-1(V)	4-3	4-1
	AN/VIC-1(V), general removal and replacement procedures	4-4	4-1
	General cabling instructions	4-5	4-3
	Installing and removing power cables CX-4720/VRC and CX-13089/VRC	4-6	4-13
CHAPTER	5. ORGANIZATIONAL MAINTENANCE INSTRUCTIONS		
Section	I. Preventive Maintenance		
	Scope of organizational maintenance	5-1	5-1
	Preventive maintenance, general	5-2	5-1
	Using lubricants on connecting surfaces	5-3	5-1
	Painting	5-4	5-1
	II. Troubleshooting and Maintenance		
	General	5-5	5-3
	Troubleshooting the intercom set	5-6	5-3
	Equipment performance checklist	5-7	5-5
	Using the troubleshooting flow charts	5-8	5-7
	Troubleshooting flow charts	5-9	5-8
	Troubleshooting the C-10456/VRC in radio-intercom system	5-10	5-67
	Maintenance of the AN/VIC-1(V) and radio-intercom system	5-11	5-67
CHAPTER	6. MATERIAL USED IN CONJUNCTION WITH INTERCOMMUNICATION SET AN/VIC-1(V)		
	General	6-1	6-1
	Description of radio system equipment	6-2	6-1
	Description of audio accessories	6-3	6-1
	Cable assemblies used with radio sets and radio-intercom systems	6-4	6-2
	Power Supply PP-2953(*)/U	6-5	6-2
	Electrical Transient Suppressor MX-7778(*)/GRC	6-6	6-2
APPENDIX	A. REFERENCES		A-1
	B. MAINTENANCE ALLOCATION		B-1
Section	I. Introduction		B-1
	II. Maintenance Allocation Chart for AN/VIC-1(V)		B-3
	III. Tool and Test Equipment Requirements		B-4
	IV. Remarks		B-6

LIST OF ILLUSTRATIONS

Number	Title	Page
1-1	Intercommunication Set AN/VIC-1(V)	1-2
2-1	AM-1780/VRC jacks, controls and indicator	2-1
2-2	C-2298/VRC or C-10680/VRC jacks and controls	2-2
2-3	C-2297/VRC jacks, controls and indicator	2-3
2-4	C-2296/VRC jacks, controls, indicator and H-207/VRC	2-4
2-5	C-10456/VRC jacks and controls	2-5
2-6	Typical microphone, headset and headset-microphone used with AN/VIC-1(V) control boxes	2-7
2-7	Loudspeaker LS-454/U and extension cable CX-7867/VRC	2-8
2-8	AVC helmet with typical audio accessory installed	2-9
2-9	CVC helmet with typical audio accessory installed	2-9
2-10	Typical connections of audio accessories to control boxes, radios not used	2-10
2-11	Typical connections of audio accessories to control boxes, with radio set	2-11

LIST OF ILLUSTRATIONS – Continued

<i>Number</i>	<i>Title</i>	<i>Page</i>
4-1	Typical cable assemblies	4-2
4-2	AM-1780/VRC cabling details, shown in "with radio" configuration	4-4
4-3	Control box cabling details	4-5
4-4	Typical cabling of AN/VIC-1(V) when radio equipment is not provided	4-6
4-5	Typical cabling of AN/VIC-1(V) in Howitzer M109, A1, A2	4-7
4-6	Filter, Do Power, F-1461/VRC and schematic diagram	4-8
4-7	Typical cabling of AN/VIC-1(V) with Radio Set AN/VRC-12	4-9
4-8	Typical cabling of AN/VIC-1(V) with Radio Set AN/VRC-49	4-11
4-9	Typical cabling of AN/VIC-1(V) with Radio Sets AN/VRC-53 or AN/VRC-64 and AN/VSC-3	4-11
4-10	Cabling of AN/VIC-1(V) with Radio Sets AN/VRC-47 and AN/VRC-64 in Interim Fire Support Team (IFIST) M113A1	4-11
4-11	Cable Assembly, Power, Electrical CX-4720/VRC terminated in terminal lugs and Bendix connector assembly. When issued with Bendix connector assembly, cable is type CX-13089/VRC	4-11
4-12	Connecting CX-4720/VRC to vehicle battery	4-11
5-1	Details of cable connectors	5-2
5-2	H-189/U Handset	5-4
5-3	Troubleshooting intercom input power, adverse short	5-8
5-4	Troubleshooting intercom input power, adverse open	5-9
5-5	Troubleshooting intercom power distribution	5-12
5-6	Troubleshooting intercom keying circuits, block diagram	5-14
5-7	Troubleshooting intercom keying circuits, adverse open	5-15
5-8	Troubleshooting intercom keying circuits, adverse short	5-17
5-9	Troubleshooting intercom talk/listen circuits, block diagram	5-18
5-10	Troubleshooting intercom talk/listen circuits, adverse for all positions of MONITOR switch	5-19
5-11	Troubleshooting intercom talk/listen circuit, a particular position of MONITOR switch is adverse	5-45
5-12	Troubleshooting intercom keying circuits, adverse short	5-51
5-13	Troubleshooting C-2298 intercom keying circuits, adverse short	5-54
5-14	Troubleshooting intercom power distribution circuit, adverse short	5-56
5-15	Troubleshooting intercom keying and signaling circuit, adverse open	5-58
5-16	Troubleshooting C-2298 intercom keying and signaling circuit, adverse open	5-60
5-17	Troubleshooting intercom talk/listen circuits, adverse for all positions of MONITOR switch	5-62
FO-1	AN/VIC-1(V) audio signals and keying control circuits (without radios)	FP-1
FO-2	AN/VIC-1(V) dc power distribution circuits (without radios)	FP-3
FO-3	C-10456/VRC audio signals and keying control circuits (without radios)	FP-5
FO-4	C-10456/VRC dc power distribution circuits (without radios)	FP-7

CHAPTER 1 INTRODUCTION

Section I. GENERAL

1-1. Scope

a. General. This manual provides operator and organizational maintenance instructions for Intercommunication Set AN/VIC-1(V). It also provides instructions for Control, Intercommunication Set C-10456/VRC (used in M1 Tank (Abrams) and C-10680/VRC) (used in M113A1 Fire Support Team Vehicle), and Amplifier, Audio Frequency AM-7046/VRC (used with C-10680/VRC).

b. Official Nomenclature. Official nomenclature followed by (*) indicates all models of the equipment.

c. Common Names. Throughout this manual, the following common names are used to indicate equipment. (See listing below.)

d. Controls and Audio Frequency Amplifiers.

(1) All references to AN/VIC-1(V) and components of AN/VIC-1(V) (fig. 1-1) apply to the C-10456/VRC and C-10680/VRC (which are similar in appearance and performance to the C-2298/VRC).

(2) All reference to the AM-1780/VRC also apply to the AM-7046/VRC, unless otherwise indicated.

e. Crewmembers are provided with Combat Vehicle Crewmember (CVC) Helmet (fig. 2-9) or Armored Vehicle Crewmember (AVC) Helmet (fig. 2-8) for use in combat vehicles. In APCs, command posts, etc., crewmembers are provided with headset-microphone sets, microphones, and headsets.

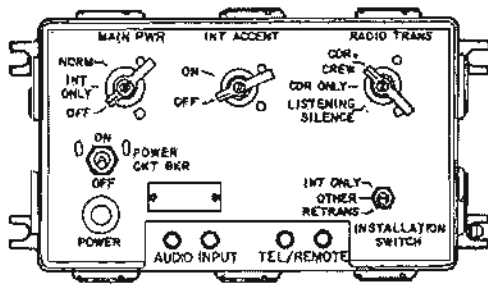
f. The AM-1780/VRC and AM-7046/VRC can be connected through field wires to a telephone to enable the telephone users to communicate with the crewmembers.

g. Control, Intercommunication Set C-10456/VRC is used in M1 Tank (Abrams) (TM 9-2350-355-10). It is similar to the C-2298/VRC except that it is provided with a remote keying connector, J805/P805 (fig. 2-5), to enable certain crewmembers to use the remote keying controls/switches provided in the M1 Tank. Thus the crewmember can key the radio or intercom using the foot or thumb switch instead of the switch on the crewmember's helmet.

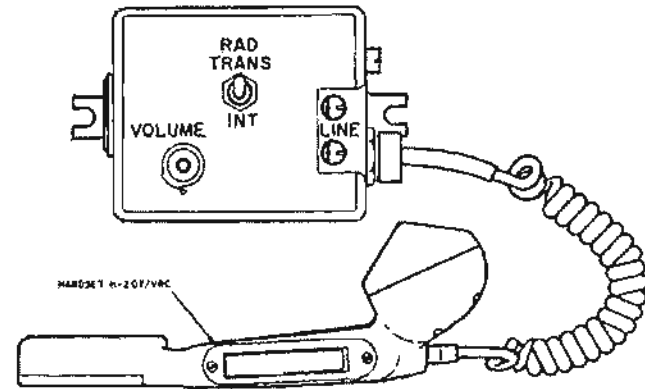
h. Control, Intercommunication Set C-10680/VRC and Amplifier, Audio Frequency, AM-7046/VRC are used in Interim Fighting Support Team Vehicle (IFIST) M113A1 (fig. 4-10). The AM-7046/VRC is similar to the AM-1780/VRC in appearance and performance; the C-10680/VRC is similar in appearance and performance to the C-2298/VRC.

i. Filter, Dc Power, F-1416/VRC is provided in Howitzer M109, A1, A2 to filter the dc power applied to the driver's control box through vehicle wiring (fig. 4-5 and 4-6).

<i>Item</i>	<i>Common name</i>	<i>Reference</i>
Radio Sets AN/VRC-12 and AN/VRC-43 through AN/VRC-49	AN/VRC-12 series radios	TM 11-5820-401-10-2, TM 11-5820-401-20-2
Receiver-Transmitters, Radio RT-246(*)/VRC and RT-524(*)/VRC (Part of AN/VRC-12 and AN/VRC-43 through AN/VRC-49)	Receiver-transmitters	TM 11-5820-401-10-2, TM 11-5820-401-20-2
Receiver-Transmitters, Radio RT-841/PRC-77 (Part of Radio Sets AN/VRC-84 and AN/GRC-160)	Receiver-transmitter	TM 11-5820-498-12, TM 11-5820-667-12
Intercommunication Set AN/VIC-1(V), with radio	Radio-Intercom system	Paragraph 1-8c.
Intercommunication Set AN/VIC-1(V), without radio	Intercom set	Paragraph 1-12
Amplifier, Audio Frequency AM-1780/VRC	AM-1780/VRC	Paragraph 1-11a.
Suppressor, Electrical Transient MX-7778(*)/GRC	Suppressor	Paragraph 1-12
Controls, Intercommunication Set C-2296/VRC, C-2297/VRC, C-2298/VRC, C-10680/VRC	Control box(es)	Paragraph 1-11b.
Microphone, Dynamic M-80/U; Headsets H-140/U and H-251/U; Headset-Microphone H-161/U; Loudspeaker LS-454/U; and CVC Helmet	Audio accessories	Paragraph 6-3
Helmet, Combat Vehicle Crewmember (CVC) DH-132 with Headset-Microphone Kit MK-1039/G installed or Helmet, Armored Vehicle Crewmember (AVC) DH-132A with Headset-Microphone Kit MK-1697/G installed	CVC helmet/AVC helmet	Paragraph 6-9e.
Mountings MT-1029/VRC and MT-1898/VRC	Radio mounts	TM 11-5820-401-10-2, TM 11-5820-401-20-2,



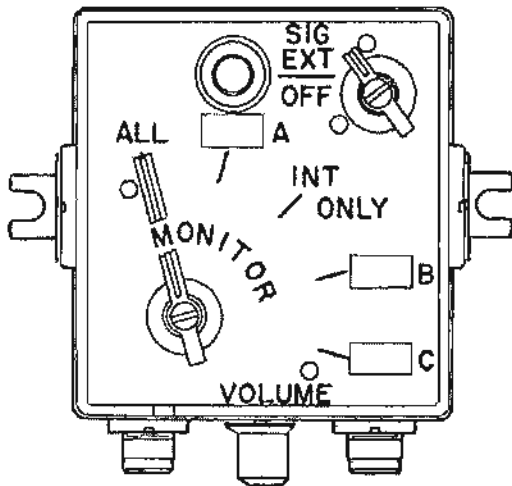
A. AMPLIFIER, AUDIO FREQUENCY,
AM-1780/VRC OR AM-7046/VRC



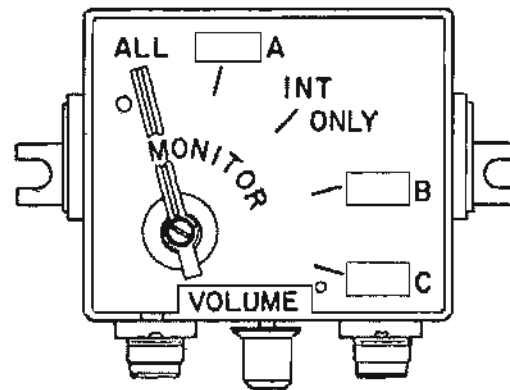
B. CONTROL, INTERCOMMUNICATION
SET, C-2296/VRC



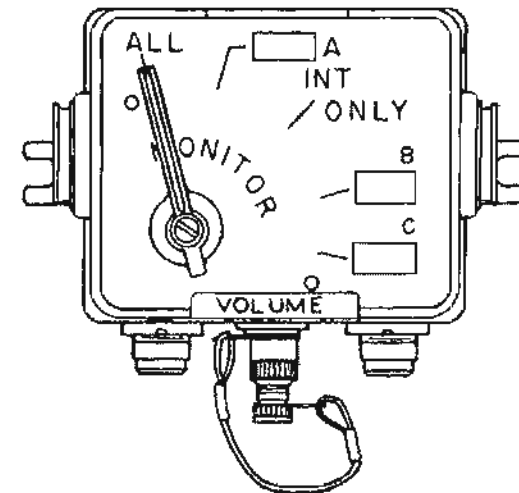
F. DUST CAP



C. CONTROL, INTER-
COMMUNICATION
SET, C-2297/VRC



D. CONTROL, INTER-
COMMUNICATION
SET, C-2298/VRC
OR C-10680



E. CONTROL, INTER-
COMMUNICATION
SET, C-10456/VRC EL2DT001

Figure 1-1. Intercommunication Set AN/VIC-1(V)

1-2. Maintenance Forms, Records, and Reports

a. Reports of Maintenance and Unsatisfactory Equipment. Department of the Army forms and procedures used for equipment maintenance will be those prescribed by DA Pam 738-750 as contained in Maintenance Management Update.

b. Report of Packaging and Handling Deficiencies. Fill out and forward SF 364 (Report of Discrepancy (ROD)) as prescribed in AR 735-11-2/DLAR 4140.55/NAVMATINST 4355.73A/AFR 400-54/MCO 4430.3F.

c. Discrepancy in Shipment Report (DISREP) (SF 361). Fill out and forward Discrepancy in Shipment Report (DISREP) (SF 361) as prescribed in AR 55-38/NAVSUPINST 4610.33C/AFR 75-18/MCO P4610.19D/DLAR 4500.15.

1-3. Reporting Equipment Improvement Recommendations (EIR)

If your AN/VIC-1(V) Intercommunication Set needs improvement, let us know. Send us an EIR. You, the user, are the only one who can tell us what you don't like about your equipment. Let us know why you don't like the design. Put it on an SF 368 (Quality Deficiency Report). Mail it to Commander, US Army Communications-Electronics Command and Fort Monmouth, ATTN: AMSEL-ME-MP, Fort Monmouth, New Jersey 07703-5007. We'll send you a reply.

1-4. Administrative Storage

Administrative storage of equipment issued to and used by Army activities will have preventive main-

tenance performed in accordance with the PMC charts before storing. When removing the equipment from administrative storage the PMCS should be performed to assure operational readiness. Disassembly and repacking of equipment for shipment or limited storage are covered in the procedures prescribed for the vehicle.

1-5. Destruction of Army Electronics Material

Destruction of Army electronics material to prevent enemy use shall be in accordance with TM 750-244-2.

1-6. Hand Receipt Manuals

Hand receipt manuals are available covering the radio equipment in tracked vehicles into which the AN/VIC-1(V) is installed. The manuals do not cover the AN/VIC-1(V) without radios. The hand receipt manuals contain preprinted DA Forms 2062 (Hand Receipt/Annex No.) listing the vehicle and the radio intercom system (AM-1780/VRC and Control Boxes C-2296/VRC, C-2297/VRC, and C-2298/VRC), the radio, cabling, audio equipment installed in the vehicle. Following are hand receipt publications:

a. TM 11-5820-401-10-2-HR - AN/VRC-12 series radios used with intercom.

b. TM 11-5820-498-12-HR - AN/VRC-53, -64 AN/GRC-125, -160 radios used with and without intercom.

1-7. Consolidated Index of Army Publications and Blank Forms

Refer to the latest issue of DA Pam 310-1 to determine whether there are new editions, changes or additional publications pertaining to the equipment.

Section II. DESCRIPTION AND DATA

1-8. Purpose and Use

Intercommunication Set AN/VIC-1(V) provides voice communication between members of crew-served weapon and between crewmembers of a vehicle. The AN/VIC-1(V) also provides crewmembers of the facility to communicate on the radios that may be associated with the AN/VIC-1(V) in the vehicle.

a. The AN/VIC-1(V) is installed without radios in the following vehicles:

(1) Gun, 175MM, Self-Propelled, M107 and in Howitzer, Heavy, 8-inch, Self-Propelled, M110 (TM 9-2350-216-10).

(2) Howitzer, M105MM, Self-Propelled, M108 and in Howitzer, Medium, 155MM, Self-Propelled, M109 (TM 9-2350-217-10 (fig. 4-5)).

b. The AN/VIC-1(V) is used with vehicular radios (para 1-11e) in such crewmember combat vehicles as tanks, armored personnel carriers (APC), and armored

command posts (ACP) (fig. 4-9 and 4-10).

(1) In such vehicles as armored personnel carriers, and armored command posts, the AN/VIC-1(V) consists of Amplifier, Audio Frequency AM-1780/VRC and Control, Intercommunication Set C-2298/VRC (fig. 4-4) for each crewmember.

(2) In tanks, except Abrams, the AN/VIC-1(V) also includes Control, Intercommunication Set C-2297/VRC for the driver, and Control, Intercommunication Set C-2296/VRC mounted outside the vehicle (fig. 4-8 and 4-9).

c. The AN/VIC-1(V) is part of the electronic installation harness of howitzers (*a* above) and combat vehicles (*b* above). The harness includes the mounts for the radios, interconnecting cables for the radios and the AN/VIC-1(V) and power cables. Refer to paragraph 1-11 for information on equipment required to make the AN/VIC-1(V) operational.

1-9. Technical Characteristics

a. C-2296/VRC, C-2297/VRC, C-2298/VRC, C-10456/VRC and C-10680/VRC.

Frequency range	500 to 3,000 Hz.
Intercom function	Provides communication between crewmembers.
Radio function	Provides communication on all radios connected to AM-1780/VRC.
Audio accessories:	
Microphone impedance	150 ohms ± 15 percent.
Headset and loudspeaker impedance	150 ohms ± 20 percent.
LINE binding posts of C-2296/VRC	600 ohms ± 20 percent.
Power requirements	22 to 30 volts dc.

b. AM-1780/VRC and AM-7046/VRC.

Frequency range	500 to 3,000 Hz.
Radio function	Provides control of radios selected by control boxes.
Intercom function	Provides communication (intercom) between control boxes.
Circuit impedances:	
Microphone circuits	150 ohms ± 15 percent.
Headset and loudspeaker circuits	150 ohms ± 20 percent.
LINE binding posts	600 ohms ± 20 percent.
AUDIO INPUT binding posts	5,000 ohms.
Radio transmitter microphone input circuit	150 ohms ± 20 percent.
Radio receiver audio output circuits	150 ohms ± 20 percent.
Power requirements	22 to 30 volts dc.

NOTE

The C-10456/VRC and C-10680/VRC are not components of the AN/VIC-1(V). However, when they are installed in a particular combat vehicle in conjunction with the AM-1780/VRC or AM-7046/VRC, the configuration may be considered as an "AN/VIC-1(V)".

1-10. Components

The AN/VIC-1(V) includes the AM-1780/VRC and as many control boxes as necessary for the particular vehicle. A maximum of six control boxes may be connected.

Item	NSN	Dimensions (in.)			Qty
		Height	Depth	Width	
Amplifier, Audio Frequency AM-1780/VRC ^a	5820-00-892-3342	3¾	5¾	9¾	1
Control, Intercommunication Set C-2298/VRC ^a	5820-00-892-3339	4¾	5¾	3¾	See note b below.
Control, Intercommunication Set C-2297/VRC ^a	5820-00-892-3337	See note c below.
Control, Intercommunication Set C-2296/VRC ^a	5820-00-892-3338	See note c below.
Control, Intercommunication Set C-10456/VRC ^a	5830-00-01-0824	5	3¾	3¾	See note b below.
Control, Intercommunication Set C-10680/VRC ^a	Modified AM-1780/VRC	5	3¾	3¾	See note b below.

- a. The components are installed with the required hardware.
- b. One control box is provided each crewmember.
- c. In some vehicles, one C-2297/VRC is provided for the driver's position and one C-2296/VRC is mounted on the outside of the vehicle.

1-11. Description

(fig. 1-1)

a. Amplifier, Audio Frequency AM-1780/VRC and AM-7046/VRC.

(1) The audio frequency amplifiers are the main junction box for the AN/VIC-1(V). They provide control of the dc power to the associated crewmember control boxes (b, c, and d below) and to the radio system that may be connected to the amplifiers. The amplifiers also amplify and control the audio signals in the intercommunication (intercom) and radio circuits.

(2) All operating controls are provided on the front panel. Ten jacks are provided on the top, bottom,

and sides for connections to the control boxes and the radio(s). Two pairs of binding posts are provided on the front panel for connection to a telephone and the audio output of an auxiliary radio. Mounting lugs are provided on the sides. Captive screws hold the gasket-sealed back cover. All controls and jacks are waterproof.

b. Control, Intercommunication Set C-2298/VRC, C-10456/VRC, and C-10680/VRC.

(1) When an audio accessory is connected to the control box, the crewmember can select, by means of the MONITOR switch and the audio accessory controls, to communicate on the intercom circuit with

other crewmembers, and on the radio(s) connected to the AM-1780/VRC/AM-7046/VRC.

(2) The MONITOR switch is located on the front panel; the VOLUME control is located on the bottom of the box. A jack on each side of the box provides connection to the AM-1780/VRC/AM-7046/VRC (or another C-2298/VRC). Jacks on the bottom provide connection to the audio accessories. Mounting lugs are provided on the sides. Captive screws hold the gasket-sealed back cover.

(3) The C-10456/VRC is installed in combat vehicle, M1 Abrams and in Fighting Vehicle System (FVS) M2 and M3. The C-10680/VRC is installed in Interim Fire Support Team Vehicle (IFST) M113A1, in conjunction with the AM-7046/VRC (fig. 4-10).

c. Control, Intercommunication Set C-2296/VRC.

(1) The C-2296/VRC is provided with Handset H-207/VRC to enable the user to communicate on the intercom circuit with other crewmembers, or on the radio(s) connected to the AM-1780/VRC.

(2) The radio and intercom control switch and VOLUME control are located on the front panel. A jack on the left side provides connection through the vehicle wiring to the C-2297/VRC located inside the vehicle. A jack on the right side provides connection of the cable assembly to an external call light mounted in the cover of the box containing the C-2296/VRC. A pair of binding posts provides connection to a telephone. Mounting lugs are provided on the sides. Captive screws hold the gasket-sealed back cover.

(3) The H-207/VRC has a push-to-talk switch, a dynamic microphone and an earphone, and a retractile cord connected to the C-2296/VRC.

d. Control, Intercommunication Set C-2297/VRC.

(1) When an audio accessory is connected to the C-2297/VRC, the crewmember can elect, by means of the MONITOR switch and the audio accessory controls, to communicate on the intercom circuit with other crewmembers, or on the radios connected to the AM-1780/VRC.

(2) The MONITOR and SIG-EXT-OFF switches are located on the front panel; the VOLUME control is located on the bottom of the box. When the SIG-EXT-OFF switch is in EXT position, the C-2296/VRC (c above) is enabled to become part of the radio and intercom circuits. A jack on the left side provides connection to the AM-1780/VRC; the jack on the right side provides connection through the vehicle wiring to the C-2296/VRC. Jacks on the bottom provide connection to audio accessories. Mounting lugs are provided on the sides. Captive screws hold the gasket-sealed back cover.

1-12. Equipment Required to Make AN/VIC-1(V) Operational

a. General. Items required to make the AN/VIC-1(V) operational are supplied by various means, depending on the particular vehicle in which it is installed. D power (22 to 30 volts dc) is provided by the vehicle's electrical system.

(1) Supply Bulletin SB 11-131 lists the parts and National stock numbers of the vehicular electronic installation harnesses and installation kits which contain the AN/VIC-1(V), and the accessory kits required to install the harness.

(2) The electronic installation harness is part of tracked vehicles (c below). It includes the AN/VIC-1(V), radio mounts, interconnecting and power cables; mounting brackets for the various components, and the MX-7778(*)/GRC. The MX-7778(*)/GRC includes the Suppressor, MX-7777(*)/GRC and Cable, CX-10618/VRC. The basic radio set components are provided by the using organization.

(3) Accessory kits complement the electronic installation harnesses. They include audio accessories, some interconnecting cables, the whip antenna part for use with Receiver, Radio R-442(*)/VRC (used in some AN/VRC-12 series radio configurations), and instructions for installing the harness and the accessory kit. The accessory kits are a combination of items required for use with a specific type of radio in a specific type of combat (tracked) vehicle. Items are readily installed and do not become a part of the vehicle.

(4) Installation kits contain appropriate audio accessories, radio mounts, interconnecting cables and hardware necessary to mount the AN/VIC-1(V) in the vehicle. The kits are not part of the vehicle; thus, they are removed and used on another vehicle when the vehicle is turned in. Installation instructions for the kits are provided as part of the installation kits per SB 11-131.

(5) A general purpose installation kit is provided for nonvehicular installation. It includes audio accessories, radio mounts, interconnecting cables and power cable, and general purpose mounting hardware. A power supply such as Power Supply PP-2953(*)/U is required to operate the equipment.

b. Wheeled Vehicles. A representative wheeled vehicle in which the AN/VIC-1(V) is used is Truck, Cargo 1½-Ton, 6 × 6, M561. The items required to install the equipment are provided in the installation kit (a(4) above).

c. Tracked Vehicles.

(1) Representative tracked vehicles include; Tank Full Tracked, M60A1; Carriers, Personnel, Armored M113 and M114; Carrier, Command Post M577; and howitzers (para 1-8a).

(2) The items required for installation and operation of the AN/VIC-1(V) are provided in the electronic installation harness and the accessory kit (a(2) and (3) above) for the particular vehicle.

(3) The audio accessory for some tracked vehicles is contained in the CVC helmets provided for each of the crewmembers.

d. *Marine Craft.* Generally, installation harnesses in marine craft are considered in the same category as those for tracked vehicles (c above); and once installed, are considered as part of the marine craft.

e. *Compatible Radio Sets.* Following are various vehicular radio sets which may be connected to the AN/VIC-1(V).

(1) AN/VRC-12 series radios (TM 11-5820-401-10-2).

(2) Radio Sets AN/VRC-53, AN/VRC-64, AN/GRC-125, and AN/GRC-160 (TM 11-5820-498-12).

(3) Radio Teletypewriter Set AN/VSC-3 (TM 11-5815-332-15).

f. *Typical Configurations.* See listing below for typical configurations of the AN/VIC-1(V).

1-13. Differences in Models

The AM-1780/VRC procured on Contract DAAB07-80-C-0021 (Communicology, Inc.) is provided with rubber-covered binding posts and the designation of TEL/REMOTE is used instead of LINE (fig. 2-1).

Type of installation	Typical Equipment Configurations							Remarks	Notes
	AM-1780/VRC	C-2295/VRC	C-2297/VRC	C-2298/VRC	C-10456/VRC	C-10680/VRC	AM-7048/VRC		
Gun, Self-propelled, M107 and Howitzer, M110	1			1 per crewman				Filter, Dc Power, F-1461/VRC required for driver's control	1
Howitzer, M108 and M109, A1, A2	1			1 per crewman					1
Armored personnel carriers or armored command posts	1			1 per crewman					1
Tanks or marine craft	1	1, outside vehicle	1, driver	1 per crewman				C-10456/VRC is similar to C-2298/VRC except remote keying is provided	1
M1 Abrams and M2 or M3 Fighting Vehicle System	1				1 per crewman			Components are functionally the same as AM-1780/VRC and C-2298/VRC	1
M113A1 Interim Fire Support Vehicle						1 per crewman	1	Power supply, such as PP-2953(*)/U required	3
Nonvehicular	1			4				Cargo Truck M561 is a representative vehicle (8 X 6)	2
Vehicular, without radio	1			As required					

NOTES:

1. AN/VIC-1(V) is part of harness.
2. Installation kit required.
3. General purpose installation kit.

CHAPTER 2 OPERATING INSTRUCTIONS

Section I. JACKS, CONTROLS AND INDICATORS

2-1. Amplifier, Audio Frequency AM-1780/VRC Jacks, Controls and Indicator
(fig. 2-1)

a. Jacks.

(1) J501 provides power to the AM-1780/VRC when used with radio sets. It also provides for audio and control interface signals of "A" receiver-transmitter. When radios are not used in conjunction with the intercom set, J501 is left vacant and the INSTALLATION SWITCH must be set to INT ONLY.

(2) J503 provides audio signals and control interface signals of "C" receiver-transmitter.

(3) J504 should always be connected to the commander's control box. It provides intercom and radio interface that is independent of all other control boxes.

(4) J505, J506 and J507 are wired in parallel. They are used by other crewmembers, as required, to the intercom and radio interface functions.

(5) J508 provides power to the AM-1780/VRC when radios are not used. It may also provide audio signals from "C" receiver.

(6) J509 and J511 provide for connection of a

C-2299/VRC automatic retransmission (relay) control box used with some radio installations.

(7) J510 provides for connection of audio signals of "B" receiver.

(8) Two pairs of binding posts are provided. One set, labeled AUDIO, allows for connection of an additional receiver. The other is labeled either LINE or TEL/REMOTE and allows connection of a field telephone or switchboard.

b. Controls.

(1) INSTALLATION SWITCH. This is a screw-driver adjustment. In the RETRANS position, radio relay operation is accomplished using the C-2297/VRC provided in some radio installations. The OTHER position is used to provide power and control signals when the intercom set is used with radios. The INT ONLY position allows for dc power application through J508 when radios are not used with the intercom set.

(2) MAIN PWR switch. The OFF position removes dc power. The INT ONLY position applies dc power to the intercom circuits. The NORM position applies dc power to the intercom circuits and radio sets.

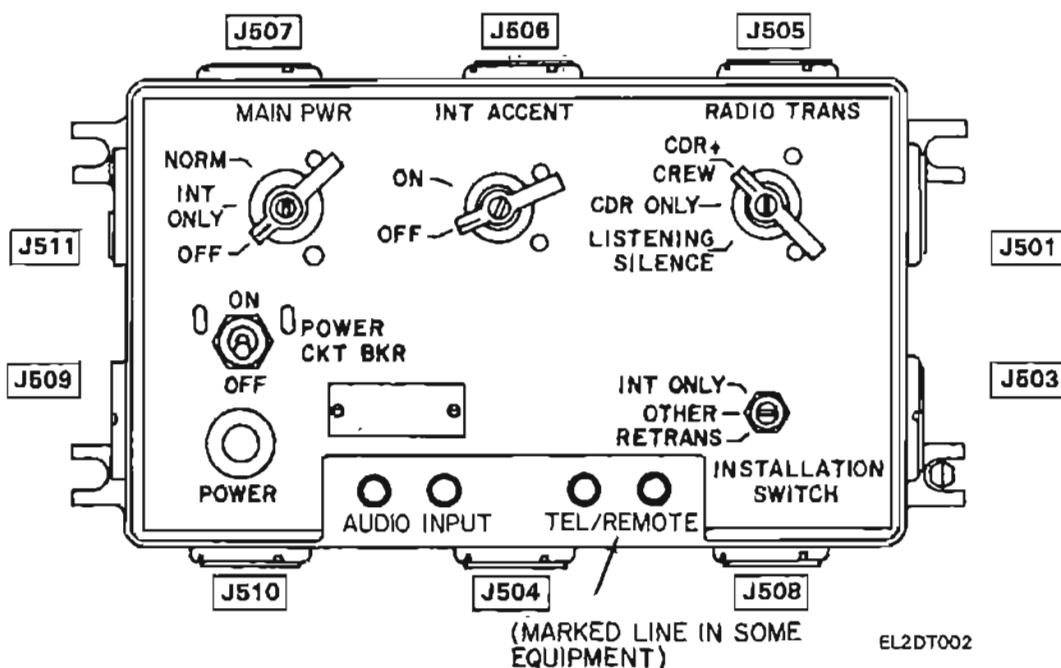


Figure 2-1. AM-1780/VRC jacks, controls, and indicator.

(3) **POWER CKT BKR.** The circuit breaker provides overload protection for the intercom set and controls the dc power for the intercom and radio sets.

(4) **INT ACCENT** switch. When set to ON, the audio signals from the radios are reduced, making the intercom sound louder (accented).

(5) **RADIO TRANS** switch. In the LISTENING SILENCE position, no one can key (transmit on) radios through the intercom set. When CDR ONLY is selected, only the crew commander can key the radios, and in CDR + CREW all crewmembers can key the radios connected to the intercom set.

c. **POWER indicator.** The lamp lights to show that power is applied when the POWER CKT BKR is ON.

2-2. AM-7046/VRC Differences

a. The AM-7046/VRC is a modified AM-1780/VRC. It functions the same as the AM-1780/VRC,

except it has an additional internal relay used when radios other than AN/VRC-12 series are additionally installed equipment in a vehicle.

b. The **INSTALLATION SWITCH** must be set to and left in OTHER.

c. Jack J510 is an 18-pin jack on the AM-7046/VRC. It provides a connection for a third RT through Cable CX-4723.

d. Jack J508 provides a connection for the "B" auxiliary receiver through Cable CX-7616.

e. The two pairs of binding posts on the AM-7046/VRC lower panel (AUDIO and LINE) are not used.

f. The C-10680/VRC is the only control box used with the AM-7046/VRC.

g. The Radio Relay Control Box C-2299/VRC is not used with the AM-7046/VRC.

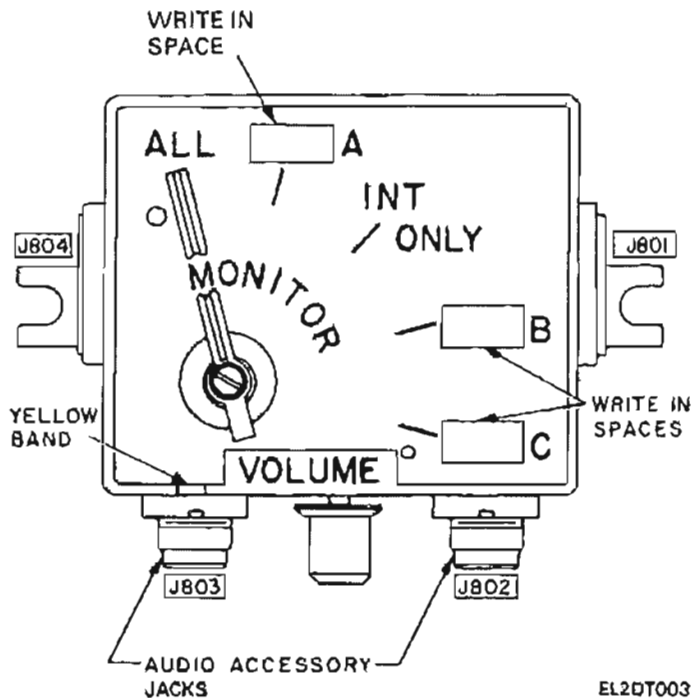


Figure 2-2. C-2298/VRC or C-10680/VRC jacks and controls.

2-3. C-2298/VRC or C-10680/VRC Jacks and Controls
(fig. 2-2)

a. **Jacks.**

(1) J801 and J804 provide all power and control

signals for the C-2298/VRC. They are wired in parallel so that one may be connected to the AM-1780/VRC and the other connected to another control box (tandem). When connected in tandem the control boxes operate independently.

(2) J802 provides for connection of an audio accessory. This jack is used to talk and listen on either intercom or radios as selected by the MONITOR switch.

(3) J803 provides for connection of audio accessories. When this jack is used, talk and listen on the intercom is available, but the user can only listen to the radios. The MONITOR switch provides selection of the audio signals.

b. Controls.

(1) MONITOR switch. The MONITOR switch selects how the control box is used. In the ALL position, the user can talk and listen on the intercom, talk on the "A" receiver-transmitter, and listen to all items connected to the AM-1780/VRC. In the A position the user can talk and listen on the intercom and "A" receiver-transmitter. In the B position, the user can

talk and listen on the intercom and "A" receiver-transmitter plus listen to the "B" receiver. In the C position, the user can talk and listen on the intercom and "C" receiver-transmitter plus listen to the "C" receiver. In tank type vehicles, the C position may not function due to limited circuits in the vehicle slip ring assembly.

NOTE

Crewmembers (other than commander) cannot talk on radios when the intercom is keyed.

(2) VOLUME control. The VOLUME control adjusts the level of the audio signals applied to the audio accessory jacks.

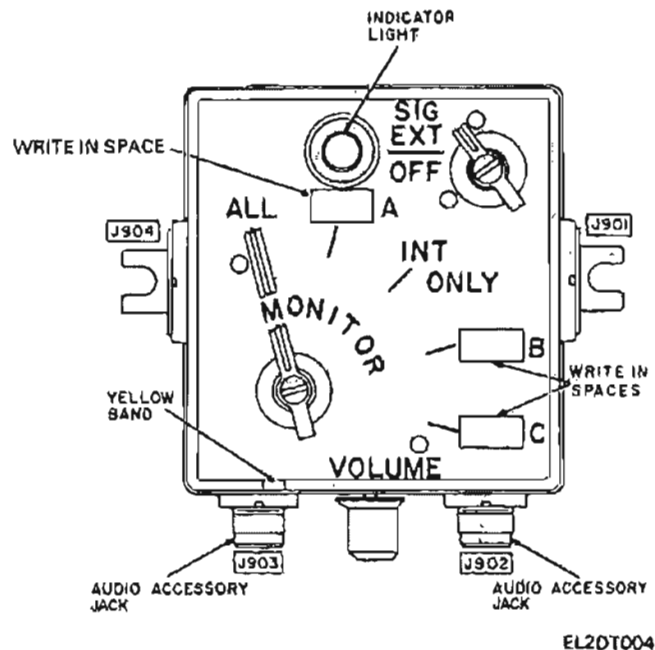


Figure 2-3. C-2297/VRC jacks, controls, and indicator.

2-4. C-2297/VRC Jacks, Controls and Indicator
(fig. 2-3)

a. Jacks.

(1) J901 provides connection, through vehicle wiring, to a C-2296/VRC outside the vehicle.

(2) J904 provides connection of the C-2297/VRC to the AM-1780/VRC for the passage of power and control voltages. This connection is sometimes made through vehicle wiring.

(3) J902 provides for the connection of an audio accessory. This jack is used to talk and listen on either

intercom or radios as selected by the MONITOR switch.

(4) J903 provides for connection of an audio accessory. When this jack is used, talk and listen on the intercom is available, but the user can only listen to the radios. The MONITOR switch provides selection of the audio signals.

b. Controls.

(1) MONITOR switch. The MONITOR switch selects the use of the C-2297/VRC and the C-2296/VRC. In the ALL position, the user can talk

and listen on the intercom, talk on the "A" receiver-transmitter, and listen to all items connected to the AM-1780/VRC. In the A position the user can talk and listen on the intercom and "A" receiver-transmitter. In the B position, the user can talk and listen on the intercom and "A" receiver-transmitter plus listen to the "B" receiver. In the C position, the user can talk and listen on the intercom and "C" receiver-transmitter plus listen to the "C" receiver. In tank type vehicles the C position may not function due to limited circuits in the vehicle slip ring assembly.

NOTE

Crewmembers (other than commander) cannot talk on radios when the intercom is keyed.

(2) **VOLUME** control. The **VOLUME** control adjusts the level of the audio signals applied to the audio accessory jacks.

(3) **SIG-EXT-OFF** switch. The **SIG** position is spring loaded and causes an indicator lamp to light on both the C-2297/VRC and the C-2296/VRC. The **EXT** position connects the C-2296/VRC to the intercom through the C-2297/VRC. The **OFF** position disconnects the C-2296/VRC from the intercom.

c. **Indicator**. The lamp on the C-2297/VRC lights when the **SIG-EXT-OFF** switch is in the **SIG** or **EXT** position, or when C-2296/VRC user presses the push-

to-talk switch and the C-2297/VRC **SIG-EXT-OFF** switch is **OFF**.

2-5. C-2296/VRC, Jacks, Controls, Indicator, and H-207/VRC
(fig. 2-4)

a. **General**. The C-2296/VRC is installed in a waterproof box, outside the vehicle (usually tanks). It comes with an H-207/VRC attached. The C-2296/VRC must be connected to a C-2297/VRC (through vehicle wiring).

b. **Jacks**.

(1) J61 provides connection, in parallel, to the driver's C-2297/VRC through vehicle wiring.

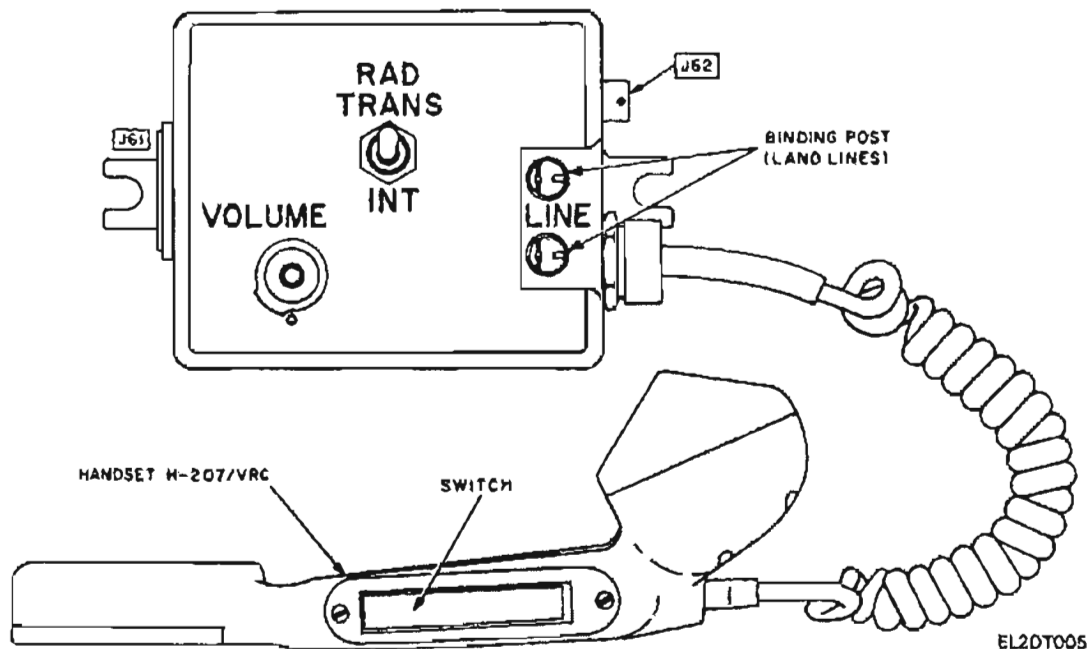
(2) J62 provides connection to the external signal lamp, attached to the waterproof box.

c. **Controls**.

(1) **RAD TRANS-INT** switch. Functions only if C-2297/VRC has **EXT** selected. In the **INT** position the operator will monitor the audio selected by the driver's C-2297/VRC, and may key the intercom. In the spring loaded **RAD TRANS** position, the operator may key the radio (selected by the driver).

(2) **VOLUME** control. Adjusts the loudness of the audio signal heard at the H-207/VRC.

(3) **Key switch**. The key switch on the H-207/VRC is used to key the radio or intercom set. It is also used to flash the light on the driver's C-2297/VRC, if he has selected **OFF** on the **SIG-EXT-OFF** switch, by pressing and releasing the switch.



EL2DT005

Figure 2-4. C-2296/VRC jacks, controls, and H-207/VRC.

2-6. C-10456/VRC Jacks and Controls (fig. 2-5)

a. *General.* The C-10456/VRC is a modified C-2298/VRC designed for use in the Abrams M1 Tank. It functions the same as the C-2298/VRC except it allows remote keying of the intercom or radio through a remote keying jack, J805. The remote keying jack, J805, is normally connected to the special keying cables in the Abrams M1 Tank. This disconnects the push-to-talk/release-to-listen function on the crewmembers audio accessory and enables special keying controls in the tank. When the dummy plug, P805, is connected to J805, the C-10456/VRC functions the same as, and is interchangeable with, the C-2298/VRC.

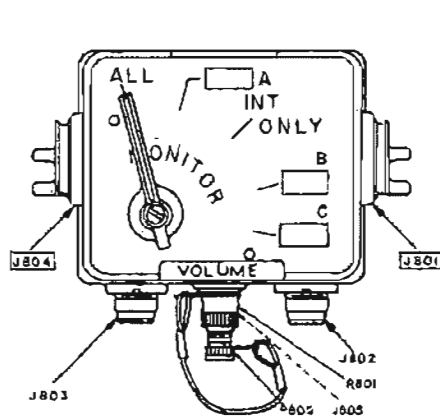


Figure 2-5. C-10456/VRC jacks and controls.

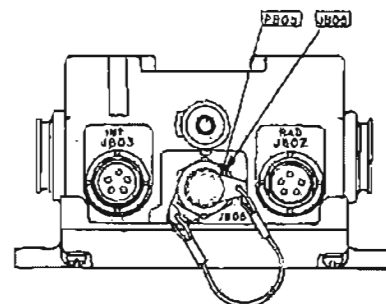
b. The C-10456/VRC is used only with an AM-1780/VRC.

2-7. Control, Intercommunication Set C-10680/VRC

The C-10680/VRC is a modified C-2298/VRC, used only with an AM-7046/VRC. This configuration is used only in the Interim Fire Support Team (IFIST) vehicle, M113A1. The functions are the same as the C-2298/VRC except as follows:

a. The center position of the MONITOR switch (labeled INT ONLY on the C-2298/VRC) provides access to a third receiver-transmitter, part of the AN/GRC-160 radios.

b. The radio audio and control signals are provided through different jacks on the AM-7046/VRC.



EL2DT008

Section II. OPERATING PROCEDURES

2-8. Connections and Use of Audio Accessories

a. *General.* Typical audio accessories used with the AN/VIC-1(V) and associated radios include a microphone (such as Microphone, Dynamic M-80/U; (fig. 2-6)), handsets (such as Handset H-189/GR or H-250/U), headsets (such as Headsets H-140A/U and H-250/U), headset-microphone (such as Headset-Microphone H-161/U), CVC helmet (fig. 2-9) in which an audio accessory similar to the H-161/U is installed, and a loudspeaker (such as Loudspeaker LS-454/U), with which Cable Assembly, Special Purpose, Electrical CX-7867/VRC of various lengths may be used as an extension cord (fig. 2-7). In some AN/VIC-1(V) installations, Cord Assembly, Electrical, Branched CX-8650(*)/GR (fig. 2-6 and 2-8) may be replaced by a longer retractile cord assembly such as Cord Assembly, Electrical, Branched CX-10766/GR (25-foot extension) or CX-10767/GR (35-foot extension).

The branched cable assembly is provided in some vehicular installations (SB 11-131).

b. *Operating Terms.* The following expressions which are used throughout the operating procedures are defined as follows:

(1) The expression "set the audio accessory switch to RADIO" or "key the radio" means to operate the nonlocking push-to-talk switch of the microphone or handset, or to operate the CVC helmet or headset-microphone switch to the nonlocking RADIO position. While the switch is operated, the user talks with his lips close to the microphone; sidetone of the transmission is usually available. Received radio signals cannot be heard until the switch is released.

(2) The expression "set the audio accessory switch to off" means to release the push-to-talk switch of the microphone or handset, or to operate the CVC helmet or headset-microphone switch to center (lock-

ing) position to hear received radio and intercom signals; or to await the reception of radio and intercom signals (standby operation) which can be heard in the center position without any action on the part of the user.

(3) The expression "set the audio accessory switch to INTERCOM" or "key the intercom" means to operate the microphone or handset push-to-talk switch, or to operate the CVC helmet or headset-microphone switch to the locking INTERCOM position. While in this position, the user talks with his lips close to the microphone; the received signals can be heard; sidetone of the transmission usually is available.

c. Audio Accessory Connections (fig. 2-10 and 2-11).

(1) Insert the connector of the audio accessory into the audio accessory of the equipment with the flat surface in line with the jack key; push and twist the connector until it locks onto the jack.

(2) To facilitate connection and removal of the connector, put a light coating of insulating compound (para 5-3a(2)) on the O-ring of the connector or dampen the O-ring before inserting it on the equipment jack.

d. Using Microphones and Handsets (fig. 2-10 and 2-11). Typical handset is provided with a dynamic microphone, earphone, and push-to-talk switch. Micro-

phone M-80/U (fig. 2-6) is provided with a microphone and push-to-talk switch. Operation is accomplished by operating the push-to-talk switch and talking into the microphone with the lips close to the transmit element and releasing the switch to hear the reply. To use the microphone or handset, use the following connections as applicable.

(1) To use the receiver-transmitter or R-442(*)/VRC in the radio system, connect the microphone or handset to the right jack of the control box (RAD).

(2) To use the intercom circuit, connect the microphone or handset to the left jack, identified with a yellow band (INT).

e. Using Loudspeaker and Headsets. The received audio signals are controlled to the desired listening level by adjustment of the equipment VOLUME control.

(1) Attach the LS-454/U and headsets to the equipment jacks as shown in figures 2-10 and 2-11.

(2) Do not connect the LS-454/U or headsets to a C-2299/VRC that is connected to the AM-1780/VRC (fig. 4-8); the received radio signals are not available at the C-2299/VRC connected to the AM-1780/VRC. This restriction does not apply when the C-2299/VRC is connected directly to the radios.

NOTE:

IN SOME INSTALLATIONS, CX-8650/GR MAY BE REPLACED BY RETRACTILE CORD ASSEMBLY CX-10766/GR (25-FT EXTENSION) OR CX-10767/GR (35-FT EXTENSION).

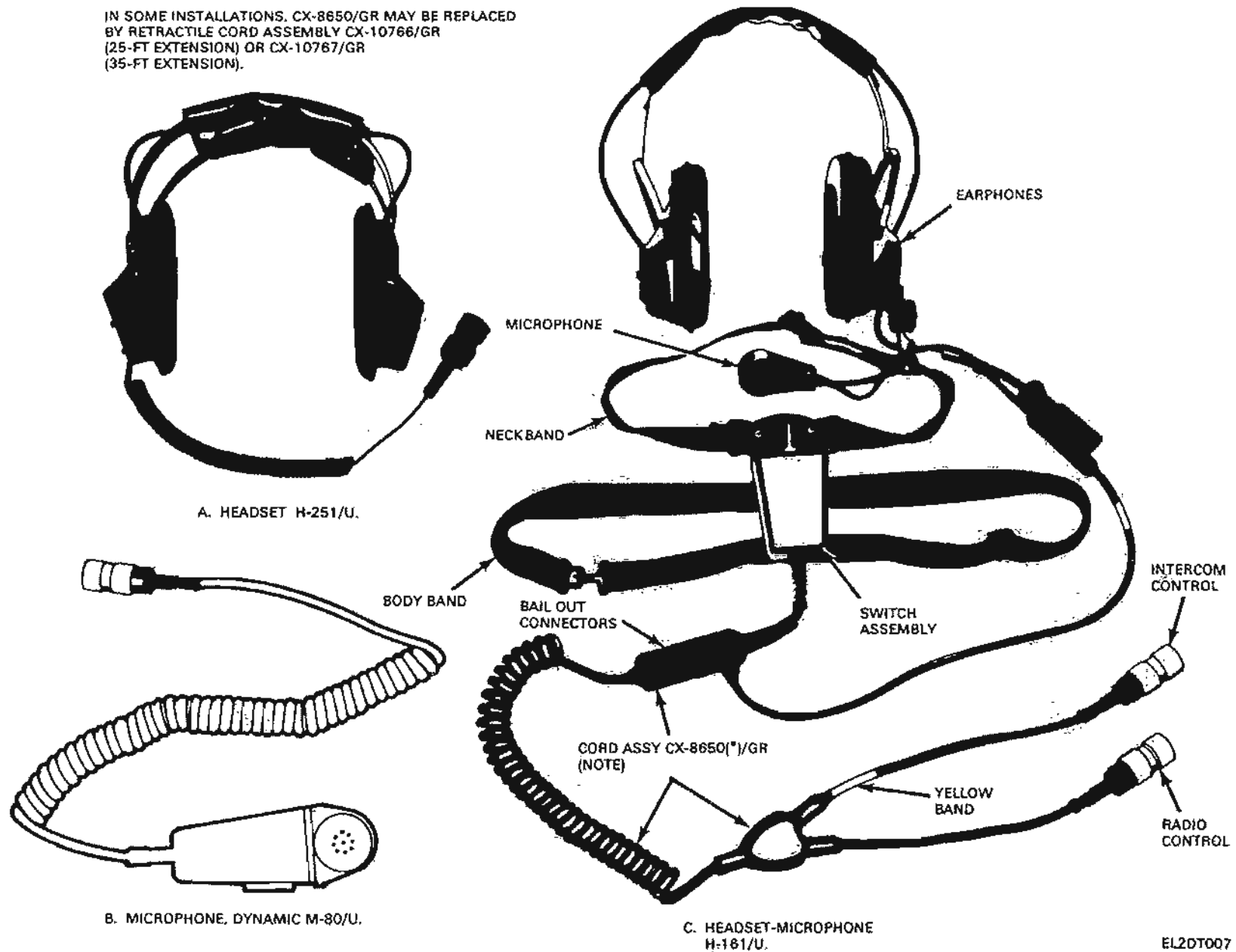


Figure 2-6. Typical microphone, headset, and headset-microphone used with AN/VIC-1(V) control boxes.

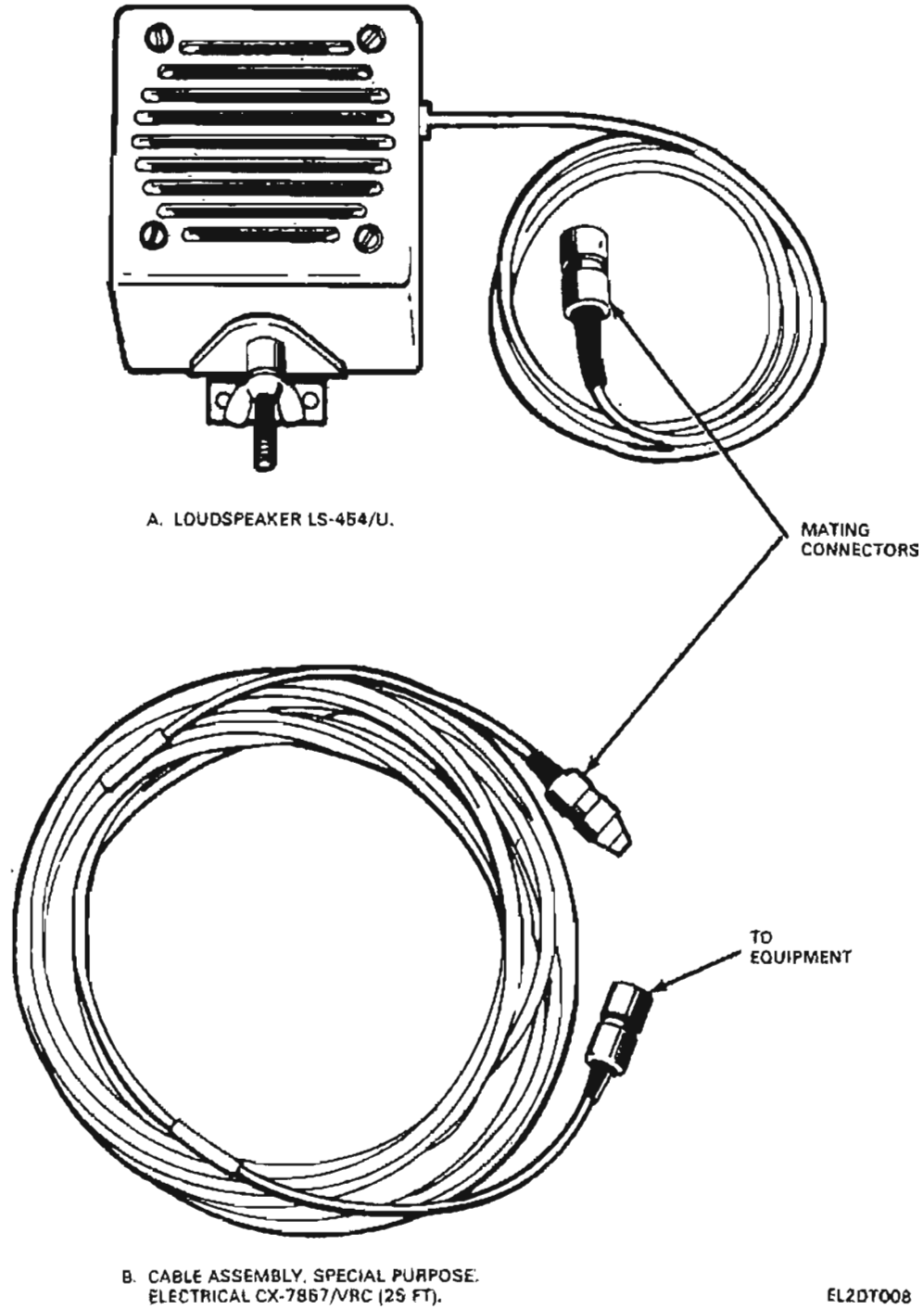
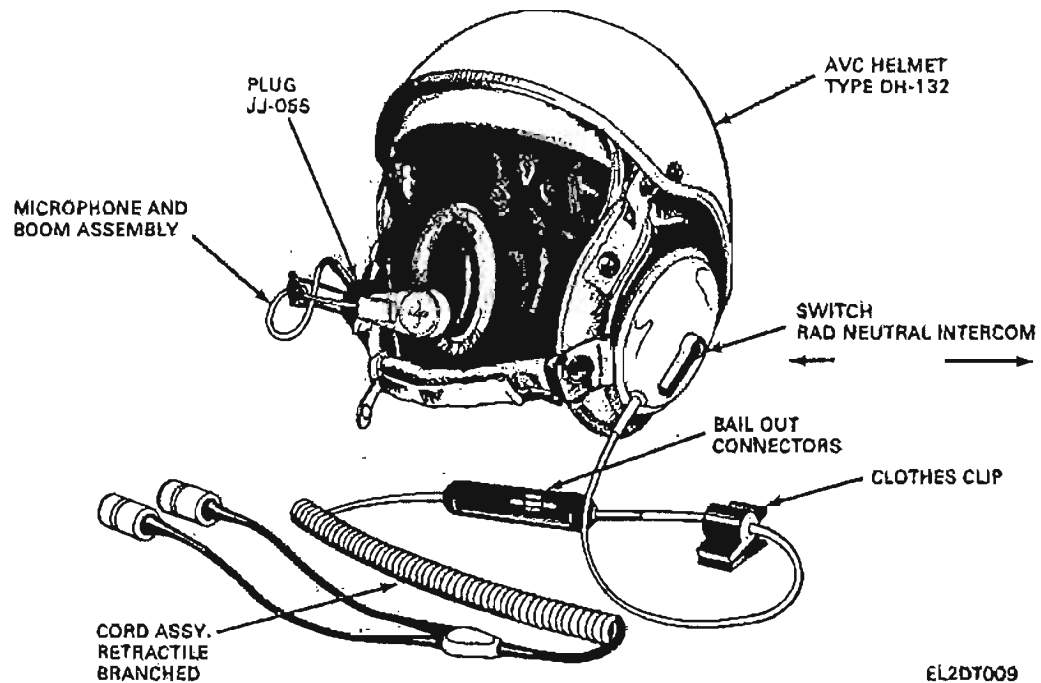


Figure 2-7. Loudspeaker LS-454/U and extension cable CX-7867/VRC.



EL2DT009

Figure 2-8. AVC helmet with typical audio accessory installed.

f. Using AVC Helmet and Headset-Microphone.

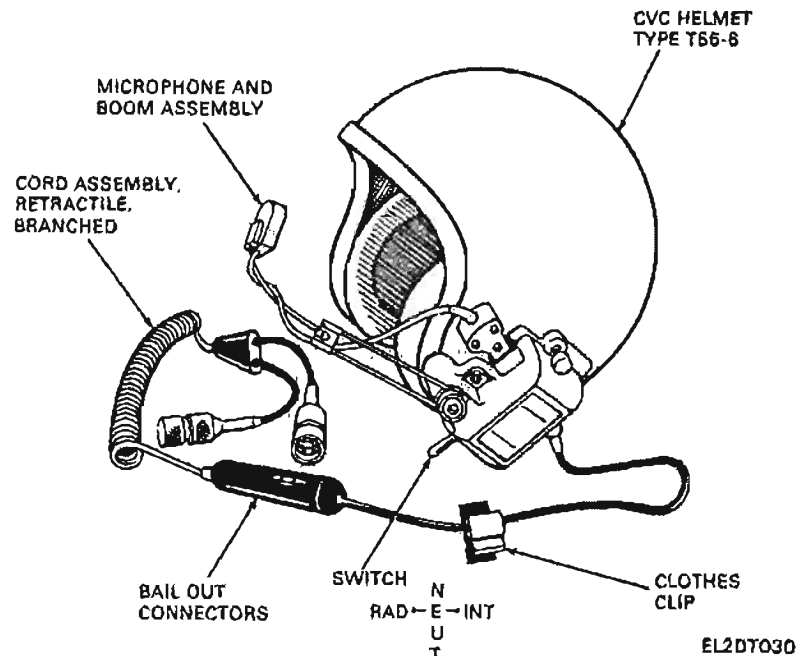
(1) The switch on these audio accessories has three position, as follows:

(a) The forward, nonlocking position (marked RAD on H-161/U) identified as the "RADIO" position in these operating instructions. The position is used for radio transmission; the transmitter is keyed and sidetone of the transmission is heard.

(b) The rearward, locking position (marked ICS

(intercom system) on the H-161/U) is identified as the "INTERCOM" position in these operating instructions. The position is used for intercom transmission; the intercom is keyed, sidetone of the transmission is heard, and intercom and radio signal can be heard.

(c) The locking, midposition disconnects the keying and microphone functions of the RADIO and INTERCOM position of the switch, and permits radio and intercom signals to be heard.



EL2DT030

Figure 2-9. CVC helmet with typical audio accessory installed.

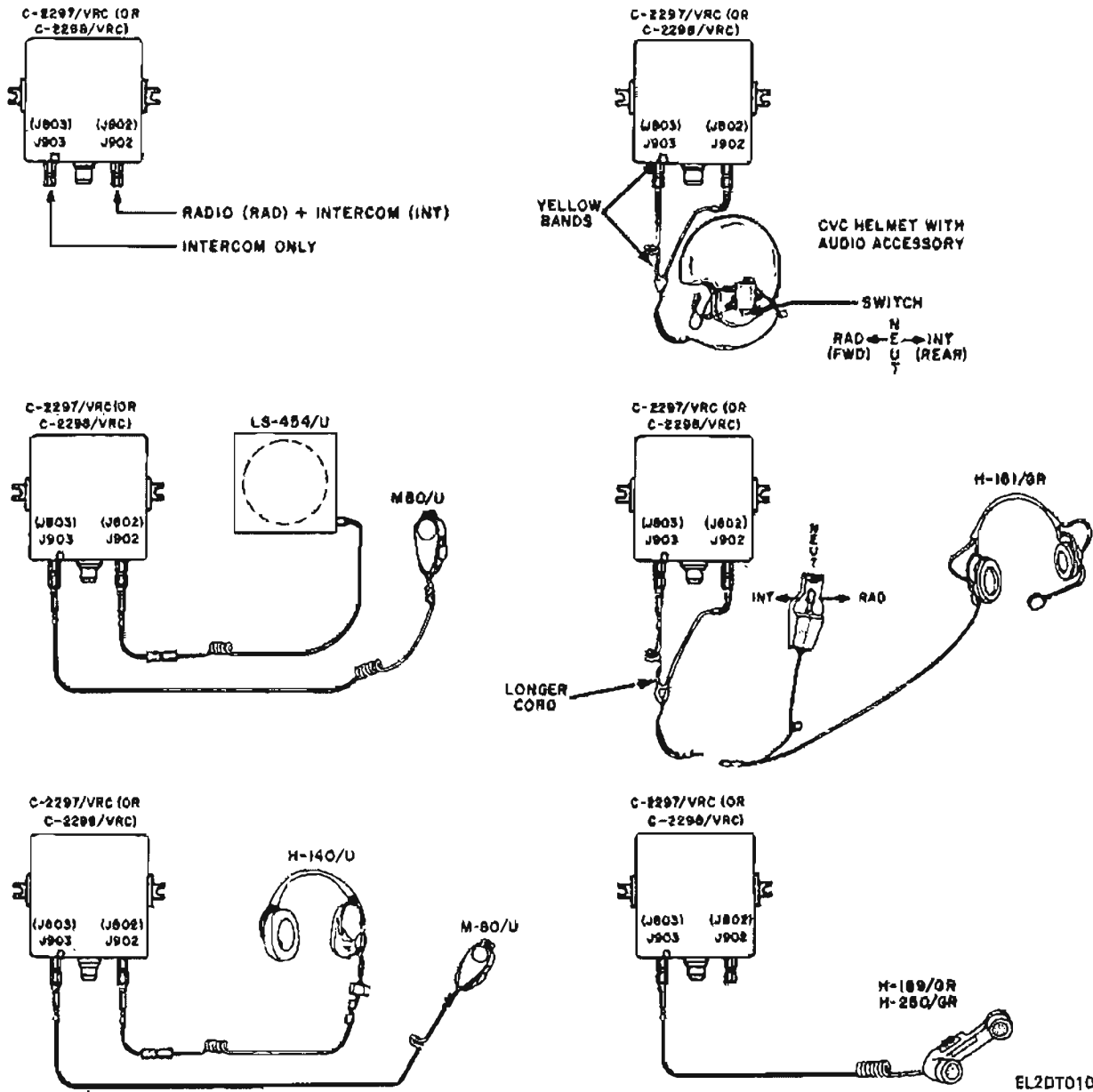


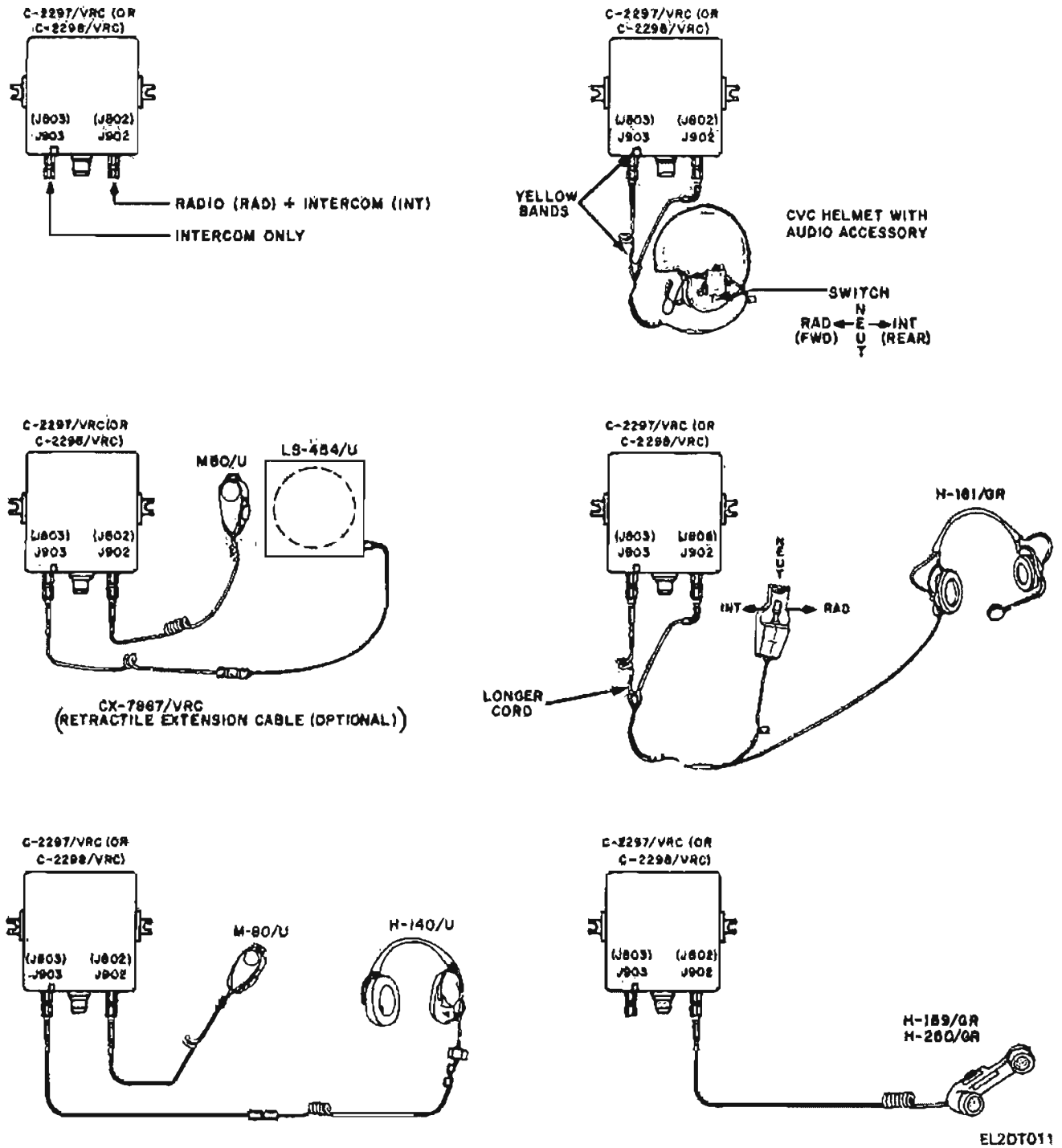
Figure 2-10. Typical connections of audio accessories to control boxes, radios not used.

(2) Of the two audio plugs on the CVC helmet and headset-microphone, one is attached to a longer cord identified with a yellow band. This plug contains the keying control for the intercom circuit. The shorter cord and plug contain the keying control for the radio circuit, and the microphone and earphone circuits for both radio and intercom operation.

(3) On the C-2297/VRC, C-2298/VRC, and C-2299/VRC, attach the audio accessory as shown in figures 2-10 and 2-11. Set the switch as required as explained in (1) above.

CAUTION

Observe the precaution on warning label DA Label 132: WARNING: DO NOT START VEHICLE WHILE RADIO IS ON. This precaution also applies when the AN/VIC-1(V) is used in the vehicle. The label, attached in an "attention-arresting" location near the vehicle engine ignition switch, is issued in accordance with SB 11-624 (Warning Notice for Vehicles in Which Radios Are Mounted). Spraying or painting the label with clear lacquer or varnish will preserve the label.



EL2DT011

Figure 2-11. Typical connections of audio accessories to control boxes, with radio set.

g. Using CVC Helmets Connected to C-10456/VRC.

(1) If the dummy plug, P805, is installed on the remote keying jack of the C-10456/VRC, operation is as described in *f* above for the C-2298/VRC.

(2) If the remote switch in the vehicle is connected to the remote keying jack of the C-10456/VRC, put the switch on the CVC helmet in the rearward, locking position (marked ICS). The intercom or radio transmitter can not be keyed with the remote switch which is labeled RADIO/INT or is part of the driver's steering control.

2-9. Operation of AN/VIC-1(V) for Radio and Intercom Functions

a. AN/VIC-1(V) Used With Radio Systems. When radios are used with the AN/VIC-1(V) (fig. 4-7 through 4-10), detailed instructions for radio and intercom operation are provided in the following publications covering the indicated radio sets:

(1) When the AN/VIC-1(V) is used with Radio Sets AN/VRC-12 and AN/VRC-43 through AN/VRC-49, refer to TM 11-5820-401-10-2.

(2) When the AN/VIC-1(V) is used with Radio Sets AN/VRC-53, AN/VRC-64, AN/GRC-125, and AN/GRC-160, refer to TM 11-5820-498-12.

(3) When the AN/VIC-1(V) is used with the AN/VSC-3, refer to TM 11-5815-332-15.

b. AN/VIC-1(V) Used Alone (Without Radio System) (fig. 4-4).

(1) *General.* When one crewmember is keyed for talking on the intercom, all crewmembers hear the transmission, and sidetone is heard by the speaker. When the MONITOR switch of any control box is set to INT ONLY, the intercom circuit will be keyed for communication with other crewmember control boxes. When the user is not talking, vehicle noises are transmitted through the system to other crewmembers if the CVC helmet or H-161/GR headset-microphone is connected and in the INTERCOM position. To prevent this, operate the audio accessory switch to INTERCOM only when desiring to communicate with the crewmembers. The noise-cancelling circuit in the audio accessory microphone effectively cancels or reduces the outside noise provided the user speaks *with lips close to the microphone.*

(2) *Starting procedure.* Turn on AM-1780/VRC (fig. 2-1) as follows:

(a) Set INSTALLATION switch to INT ONLY. (The power cable must be connected to J508.)

(b) Set MAIN PWR switch to INT ONLY.

(c) Set POWER CKT BKR switch to ON. The POWER indicator lamp should light. For blackout conditions, rotate the lamp cover one-eighth turn to the left.

(d) If the POWER CKT BKR switch springs back to OFF, an overload is present in the system. To reset the switch when it trips, reset it to ON. If the circuit breaker trips again, do not reset it; troubleshooting is required (para 5-6).

(e) The INT ACCENT and RAD TRANS switches may be set to any position; they do not function in intercom operation.

(3) *Operating the C-2297/VRC and C-2298/VRC (fig. 2-2 and 2-3).* The following operational procedures apply to each C-2297/VRC and C-2298/VRC in the system.

(a) Set the MONITOR switch to INT ONLY.

(b) To stand by or to listen to calls from other crewmembers, set the audio accessory switch to OFF.

(c) To talk to other crewmembers, set the audio accessory switch to INTERCOM, talk into microphone, sidetone should be heard.

(4) *Operating the C-2296/VRC (fig. 2-4).* When the C-2296/VRC is provided, a C-2297/VRC is required. The C-2296/VRC is mounted in a box on the outside of the vehicle. An external call light, used to attract the attention of personnel outside, is mounted to the box.

(a) Use the following procedures to attract the attention of C-2297/VRC and C-2296/VRC users:

1. To attract the attention of the C-2296/VRC user, operate the C-2297/VRC SIG-EXT-OFF switch to the spring-loaded SIG position a number of times. The external call light at the C-2296/VRC should light each time the switch is operated.

2. To attract the attention of the C-2297/VRC user, operate the push-to-talk switch on the H-207/VRC. The C-2297/VRC indicator light should light.

(b) To establish communication between C-2297/VRC and C-2296/VRC users, proceed as follows:

1. Set C-2297/VRC SIG-EXT-OFF switch to EXT and the MONITOR switch to INT ONLY.

2. Set the audio accessory switch to INTERCOM and talk to the H-207/VRC user.

3. At the C-2296/VRC, press the push-to-talk switch of the H-207/VRC and talk on the intercom to the crewmembers.

4. Under the conditions in 1 and 2 above, other crewmembers can talk on the intercom with the C-2296/VRC user.

(c) When intercom operation from the C-2296/VRC is no longer required, set the C-2297/VRC SIG-EXT-OFF switch to OFF. The C-2297/VRC indicator lamp should go out indicating the C-2296/VRC is disconnected.

(d) When the LINE binding posts of the

C-2296/VRC are connected to a field telephone (or the AM-1780/VRC or C-2296/VRC of another vehicle), refer to c below for operating procedures.

(5) *C-10456/VRC Operation (fig. 2-5).* Controls on the C-10456/VRC are identical to those on the C-2298/VRC (fig. 2-2). If no remote switch is connected and the dummy plug is connected, operation is identical to the C-2298/VRC (para (3) above). If a remote switch is connected to the C-10456/VRC, the following operational procedures apply:

(a) Set the MONITOR switch to INT ONLY (or, if radio operation, to ALL, A, or B).

(b) Set the switch on the CVC helmet to INTERCOM.

(c) To stand by or listen to calls from other crewmembers, leave the remote switch in the OFF position.

(d) To talk to other crewmembers, push the remote switch to INTER (com) and talk into the microphone, sidetone should be heard. For radio operation, set the remote switch to RAD.

c. Field Telephone and Intervehicle Operation. To communicate with a user of field telephone connected to the AM-1780/VRC or C-2296/VRC, or to communicate with crewmembers of another vehicle when the AM-1780/VRC or C-2296/VRC of both vehicles are interconnected, use the following operating procedures. Radio communication cannot be established with this arrangement, except by crew commander.

(1) When the lines are connected to the C-2296/VRC, the C-2297/VRC SIG-EXT-OFF switch must be set to EXT.

(2) Set the MONITOR switch of the control boxes to ALL. Only the crew commander's C-2298/VRC MONITOR switch can be set to position C to communicate on this circuit.

(3) To talk to the other party, set the audio accessory switch to INTERCOM and talk; release the switch to hear the reply. The communication must be conducted on a push-to-talk, release-to-receive basis.

NOTE

If any other crewmember in the vehicle is keyed on intercom, the reply cannot be heard.

d. Stopping Procedures.

(1) To turn off the equipment when radios are associated with the AN/VIC-1(V), proceed as follows:

(a) On the AM-1780/VRC, set the POWER CKT BKR to OFF.

(b) On the radios, set the POWER switch to OFF.

(c) On the AM-1780/VRC, set the MAIN PWR switch to OFF.

(d) On the MS-7777(*)/GRC, set the ON-OFF switch to OFF.

(2) To turn off the AN/VIC-1(V) when no radio is associated with it, set the AM-1780/VRC POWER CKT BKR to OFF, the MAIN PWR switch to OFF, then the MS-7777(*) OFF.

2-10. Operational Check Procedures

a. Before Mission. An operational check of the Intercommunications Set AN/VIC-1(V) should be done before starting any mission. These checks are to ensure proper operation of the intercom and should be performed with all assigned crewmembers at their stations.

b. After Maintenance. After any operator performed maintenance procedure (para 3-5), the operational check should be performed to ensure the problem was corrected and that no other malfunctions exist.

c. Procedures. The procedures below are for the AN/VIC-1(V) installed without radios, such as the M-109 Howitzer (SP). The procedure should be modified to fit the particular installation.

d. Sidetone. Each crewmember should hear sidetone of his transmission.

e. AM-1780/VRC Initial Settings.

(1) Set the INSTALLATION switch to INT ONLY.

(2) Set the MAIN PWR switch to INT ONLY.

(3) Set the POWER CKT BKR switch to ON.

(4) The INT ACCENT and RAD TRANS switches may be in any position.

f. Audio Accessories. Connect the audio accessories to the crewmember control boxes as shown in figures 2-9 and 2-10.

g. Operational Check. Perform the intercommunications checks in the table below.

<i>Commander's check</i>	<i>Crewman's response</i>
1. Driver this is commander, intercom check.	1. Commander this is driver, loud and clear.
2. Gunner this is commander, intercom check.	2. Commander this is gunner, loud and clear.
3. (Outside telephone if attached) Outside operator this is tank commander, intercom check.	3. Tank commander this is outside operator, loud and clear.

.....

h. Installation With Radios. For AN/VIC-1(V) installations with radios, refer to the appropriate radio TM for the operational check.

NOTE

If intercommunications cannot be established with any crewmember, refer to the operator troubleshooting procedures, paragraph 3-4.

CHAPTER 3

OPERATOR MAINTENANCE INSTRUCTIONS

Section I. PREVENTIVE MAINTENANCE

3-1. Scope of Operator Maintenance

No special tools or test equipment are required for operator's maintenance. Operator's maintenance of the AN/VIC-1(V) includes the following:

- a. Preventive maintenance (para 3-2 and 3-3).
- b. Troubleshooting (para 3-4 and 3-5).

3-2. Preventive Maintenance, General

Preventive maintenance is the systematic care, servicing, and inspection of equipment to prevent occurrence of trouble, to reduce downtime, and to assure that the equipment is serviceable. Preventive maintenance checks and services (PMCS) defines the procedures to be performed at specific intervals and under certain conditions (table 3-1).

a. Before you operate, perform your before (B) operation PMCS.

b. While you operate, perform your during (D) operation PMCS. The recording and reporting of your during (D) operation PMCS is done while performing the after (A) PMCS.

c. After you operate, perform your after (A) operation PMCS.

d. If the equipment was not used during the week, perform the (B), (D), and (A) PMCS together with the weekly (W) PMCS.

e. If the equipment fails to operate, try troubleshooting (para 3-4 and 3-5). If the equipment is damaged, report it using the proper forms; see DA Pam 738-750 for instructions.

f. The *Item No.* column in table 3-1 shall be used as a source of item numbers for the TM number column on DA Form 2404 (Equipment Inspection and Maintenance Worksheet) in recording the results of the PMCS.

g. If the equipment must be kept in constant operation, select those items that can be checked and serviced without disturbing operation. Make the complete checks and services when the equipment can be shut down.

h. Select those items to be inspected and serviced that are authorized for the vehicle installation. For

example, items 1 and 2 are only provided in some vehicle installations.

NOTE

The PMCS procedures in table 3-1 are for AN/VIC-1(V) installed in a vehicle in which no radio is connected to the AN/VIC-1(V) (fig. 4-4). For AN/VIC-1(V) connected to radios, refer to the following publications for operator PMCS for indicated radio configurations.

<i>Radio configuration</i>	<i>Publication</i>
Radio Sets AN/VRC-12, AN/VRC-43 through AN/VRC-49	TM 11-5820-401-10-2 (tracked vehicles)
Radio Sets AN/VRC-53, -64, AN/GRC-125, -160	TM 11-5820-498-12

i. Routine checks such as the following are not listed in the PMCS (table 3-1):

NOTE

When indicated by visual inspection, perform the following:

- Cleaning (para 3-8).
- Checking for frayed or damaged cables.
- Checking and tightening loose nuts and bolts.

NOTE

References to AM-1780/VRC in table 3-1 apply also to the AM-7046/VRC.

Table 3-1. Operator's Preventive Maintenance Checks and Services (PMCS)

NOTE

Within designated intervals, these checks are to be performed in the order listed.

Item no.	Interval			Item to be inspected	PROCEDURES Check and have repaired or adjusted as necessary	FOR READINESS Reporting Equipment is not ready/available if:
	B	D	A			
1	●			Shell: crewmember helmet	Shell cracked; head assembly torn or separated from shell.	
2	●			Earpieces and internal wiring: audio accessory	Earpieces not secured to shell; ear insulation padding damaged; internal wiring damaged.	
3	●			Switch assembly: audio accessory	Three positions are working (center, locking, and nonlocking.)	
4	●			Dust covers	Install dust covers (fig. 1-1 on unused jack of AM-1780/VRC, and crewmembers control boxes.	
5	●			Equipment operation	Check operation among crewmembers (para 2-9).	Intercom is not able to be conducted among all crewmembers.
6	■			Telephone operation	If installed, check telephone operation (para 2-8c).	

3-3. Cleaning Equipment

The exterior surfaces of the equipment should be clean; that is, there should be no dust, dirt, grease, oil, or fungus on the surfaces.

- a. Remove dust and loose dirt with a clean cloth.

WARNING

Adequate ventilation should be provided while using TRICHLOROTRIFLUOROETHANE. Prolonged breathing of vapor should be avoided. The solvent should not be used near heat or open flame; the products of decomposition are toxic and irritating. Since

TRICHLOROTRIFLUOROETHANE dissolves natural oils, prolonged contact with skin should be avoided. When necessary, use gloves which the solvent cannot penetrate. If the solvent is taken internally, consult a physician immediately.

- b. Remove grease, oil, fungus, and ground-in dirt from equipment with a clean cloth dampened (not wet) with trichlorotrifluoroethane.

- c. If the equipment is washed down using a water hose, do not direct the water directly at the front panels and cable connectors. Wipe the equipment dry after using the water hose.

Section II. OPERATOR TROUBLESHOOTING PROCEDURES

3-4. Troubleshooting by Visual Inspection

a. *Power Failure.* If, during operation of the radio-intercom equipment, the system seems to lose power, make the following checks:

- (1) If the vehicle has a master switch, check to see that it is turned on.
- (2) Check to see that the radio is pushed back fully

on its mount and that the mounting clamps are tightened fully.

- (3) When the CX-4720/VRC power cable is connected to the MX-7778/GRC, check to see that the MX-7778(*)/GRC ON-OFF switch is set to ON, and that the cables connected to the MX-7778(*)/GRC and the radio mount are fully tightened to their jacks.

(4) Check to see that the POWER switch on the radio is turned on. Check to see that the AM-1780/VRC MAIN PWR switch is set to NORM. Also check to see that the AM-1780/VRC INSTALLATION SWITCH is set to OTHER. When the AM-1780/VRC POWER CKT BKR is set to ON, the POWER indicator should light.

b. Radio Communication Failures. For radio equipment failures, refer to TM 11-5820-401-10-2 for AN/VRC-12 series radios; to TM 11-5820-498-12 for AN/VRC-53, AN/VRC-64, AN/GRC-125, and AN/GRC-160 radios; and to TM 11-5815-332-15 for the radio set in the AN/VSC-3.

c. Failures While Using Radio-Intercom System. When radio or intercom communication failures occur while using audio accessories connected to the control boxes of the radio-intercom system, make the following checks:

(1) Check to see that the audio accessory cable plugs are locked on the control box jacks.

(2) Note that radio communication from all control boxes will be broken if another crewmember keys on the intercom circuit. However, radio communication from the crew commander's control box (always connected to J604 of the AM-1780/VRC) is not interrupted when another crewmember keys on the intercom.

(3) Check to see that the POWER indicator on the AM-1780/VRC is lighted. If not, set POWER CKT BKR switch to ON.

(4) If the C-2297/VRC or C-2298/VRC fails while the turret is being turned, the turret slip rings may be

at fault. To restore communication on a temporary basis until the vehicle slip rings are repaired:

(a) Connect a CX-4723/VRC, of suitable length, between the driver's control box and one of the unused jacks on the AM-1780/VRC. If there is no available jack, connect the cable to the unused jack of a C-2298/VRC in the vehicle. Operation of both control boxes are independent of each other. Run the cable in a convenient manner and tie it at appropriate points to the vehicle.

(b) Or an extension cable, replacing the retractile cable of the CVC helmet or H-161/U may be used. Such extension cables include Cord Assembly, Electrical, Branched CX-10766/GR and Cord, Assembly, Electrical, Branched CX-10767/GR. Connect the extension cable between the driver's audio accessory and a C-2298/VRC in the vehicle.

(5) If the C-2296/VRC is inoperative, check the cabling between the C-2296/VRC and the C-2297/VRC for damage.

(6) For radio failures, see *b* above.

(7) Refer to paragraph 3-5 to troubleshoot the radio-intercom system.

3-5. Procedures for Operator to Troubleshoot Radio-Intercom System

a. General. The troubleshooting procedures in *b* below cover the AN/VIC-1(V), the audio accessories, and cabling in the radio-intercom system. Also included are procedures for troubleshooting the C-2299/VRC that may be connected to the AM-1780/VRC (items 7 and 8, *b*, below). When the corrective measures indicated do not clear the trouble, higher maintenance level troubleshooting is required.

b. Troubleshooting Radio-Intercom System

Item no.	Symptom	Probable causes	Corrective measures
1.	<p>Unable to communicate on intercom or radio.</p> <p style="text-align: center;">NOTE</p> <p>All references to AM-1780/VRC apply also to AM-7046/VRC; and all references to C-2298/VRC apply also to C-10456/BRC and C-10680/VRC. (See para <i>c</i> below for C-10456/VRC troubleshooting.)</p>	a. Power is turned off.	<p>a. On AM-1780/VRC, the POWER indicator should be lighted. If not check the following:</p> <p>(1) On the AM-1780/VRC, open POWER indicator lens; set POWER CKT BKR switch to ON, MAIN PWR switch to NORM, and INSTALLATION SWITCH to OTHER.</p> <p>(2) If POWER indicator is still not lighted, set POWER switch on receiver-transmitter connected to J501 of AM-1780/VRC to LOW or HIGH. The dial lamp in receiver-transmitter should be able to be keyed, and sound should be heard from its receiver. These signs indicate power is available to</p>

Item no.	Symptom	Probable causes	Corrective measures
2	Unable to communicate on intercom or radio from one of the control boxes (other than C-2296/VRC).	<ul style="list-style-type: none"> b. Loose cable connections c. Defective AM-1780/VRC a. Audio accessory defective or connected incorrectly. 	<p>operate the radio and radio-intercom systems.</p> <p>(3) If the receiver-transmitter does not exhibit above signs, refer to paragraph 3-4b.</p> <ul style="list-style-type: none"> b. Tighten cable connections at J501 of AM-1780/VRC and at MT-1029/VRC. c. Higher maintenance level troubleshooting is required. a. Perform the following: <ul style="list-style-type: none"> (1) Substitute the original audio accessory with one known to be good. (2) Connect the original audio accessory to another control box and check it for operation. (3) Refer to paragraph 2-8 instructions on the use of audio accessories.
3	Unable to communicate on any radio from any control box; intercom operation is satisfactory.	<ul style="list-style-type: none"> b. Loose cable connections c. Defective control box or cable a. Some crewmember's audio accessory is keyed on intercom or is defective. b. Audio accessory defective or connected incorrectly. c. MONITOR switch is not set correctly. d. RAD TRANS switch AM-1780/VRC is set to LISTENING SILENCE. 	<ul style="list-style-type: none"> b. Tighten cable connections at the control box cable jack, the vehicle outlets, and the AM-1780/VRC. c. Higher maintenance level troubleshooting is required. a. Perform the following: <ul style="list-style-type: none"> (1) Check other crewmembers' audio accessories to see that one is not set to INTERCOM. (2) Disconnect plugs of the audio accessory of each crewmember, in turn, from the control box. b. Perform corrective measures in item 2a above. c. Set MONITOR switch to ALL or A to communicate on one receiver-transmitter; to C to communicate on second receiver-transmitter; to B to hear signals from one R-442(*)/VRC; and to C to hear signals from second R-442(*)/VRC. d. Set switch to CDR+CREW or CDR ONLY, if authorized, to enable crewmembers or crew commander, respectively, to use receiver-transmitter. e. Refer to paragraph 3-4b.
4	Unable to communicate from driver's C2297/VRC or C-2298/VRC; other control boxes operate satisfactorily.	<ul style="list-style-type: none"> a. Defective radio a. Loose cable connections b. Defective vehicle wiring 	<ul style="list-style-type: none"> a. Perform the following: <ul style="list-style-type: none"> (1) Tighten cable connection at left jack of the control box and at vehicle jack. (2) Tighten cable connection at AM-1780/VRC and at vehicle jack. b. Higher maintenance level troubleshooting required.
5	Unable to communicate from C-2296/VRC (C-2297/VRC is satisfactory).	<ul style="list-style-type: none"> a. Switches are not set properly on C-2297/VRC. b. Loose cable connections 	<ul style="list-style-type: none"> a. Set C-2297/VRC MONITOR switch to some position other than C, and set SIG-EXT-OFF switch to EXT; C-2297/VRC indicator lamp should light. b. Perform the following: <ul style="list-style-type: none"> (1) Tighten at right jack of

Item no.	Symptom	Probable causes	Corrective measures
6	Receiver-transmitter cannot be keyed by audio accessory.	c. Defective vehicle wiring d. Defective C-2296/VRC, H-207/VRC. AM-1780/VRC is set up for retransmission operation.	C-2297/VRC and at vehicle jack. (2) Tighten plug at left jack of C-2296/VRC. c. Higher maintenance level troubleshooting required. d. Higher maintenance level troubleshooting required. If authorized, set AM-1780/VRC INSTALLATION switch from RETRANS to OTHER position.
7	Radio signals cannot be heard on audio accessory connected to C-2299/VRC.	Radio reception is not available at C-2299/VRC when it is connected to AM-1780/VRC.	Connect audio accessory to some other control box to hear radio signals (MONITOR switch on position ALL).
8	Communication between individual receiver-transmitter and distant radios can be accomplished, but retransmission through relay site radios and C-2299/VRC cannot be accomplished.	a. Control switch on C-2299/VRC is not set correctly. b. Receiver-transmitters are not set up for squelch operation. c. Loose cable connections d. Defective C-2299/VRC	a. Set C-2299/VRC RETRANS switch to ON. The AM-1780/VRC INSTALLATION should also be set to RETRANS to remove control of relay site radios from the crewmembers. b. On each receiver-transmitter, set the SQUELCH switch to ON (OLD ON or NEW ON, as appropriate). c. Tighten cable connections at C-2299/VRC jacks, and at jacks J511 and J509 on the AM-1780/VRC. d. Higher maintenance level troubleshooting is required (TM 11-5820-401-20-2).
9	Loud whistling noise is heard.	Water in cable connectors, or in connectors of AM-1780/VRC or crewmember's control boxes.	Dry out, clean all cable, and equipment connectors.

c. *Troubleshooting C-10456/VRC in Combat Vehicle.* Troubleshooting procedures for C-10456/VRC are the same as those for the AN/VIC-1(V) (b above). To use the procedures in b above, perform the following operations, in turn, at each C-10456/VRC:

(1) Remove remote keying cable connected to the remote keying jack (fig. 2-5).

(2) Secure the remote keying dummy plug, P805, to the remote keying jack, J805.

(3) Operate the system. If the malfunction still

exists, use the procedures outlined in b above.

(4) If the system operates normally, connect each remote keying cable to the associated control box. Test the system after each remote cable connection is made to the control box. When malfunction reoccurs, remove the last remote keying cable connected, and replace the remote keying dummy plug, P805. If the system operates normally now, the trouble is caused by a defective remote cable or switch. Refer to higher maintenance level for repair or replacement of the cable or the remote switch.

CHAPTER 4 INSTALLATION

Section I. GENERAL

4-1. Service Upon Receipt of Equipment

When packed for shipment, the components of the AN/VIC-1(V) are packed in a single package (para 1-8a) or are part of the installation kit package (para 1-8c). When required, the cartons are packed in wooden boxes.

a. Unpacking. If provided, open the wooden boxes; remove the contents from the cartons.

b. Checking Equipment.

(1) Inspect the equipment for possible damage. Report damaged equipment on SF 364 (Report of Discrepancy) (para 1-2b).

(2) Use the packing list to check the contents of the carton.

(3) Report shortages on SF 361 (Discrepancy in Shipment Report) (para 1-2c).

c. Shelter Requirements. The components of the AN/VIC-1(V) are rugged and weatherproof units that can withstand extremes of cold and heat. Accordingly, no particular protective requirements are applicable.

4-2. Nonvehicular Installations

a. When the AN/VIC-1(V) is not used in a vehicle, a general purpose installation kit is available (SB 11-131). It is Installation Kit, Electronic Equipment MK-1453/VIC-1(V). It includes the AM-1780/VRC, four C-2298/VRCs, H-161A/U, interconnecting and power cables, and instructions for installing the equipment.

b. A dc power supply, such as Power Supply PP-2953(*)/U, capable of supplying 22 to 30 volts dc at approximately 1 ampere is required.

Section II. INSTALLATION PROCEDURES

4-3. Installing AN/VIC-1(V)

a. General.

(1) For wheeled vehicles (para 1-12a), installation instructions for mounting the AN/VIC-1(V) and the parts of the installation kit are provided in the installation kits.

(2) For tracked vehicles (para 1-12c), the AN/VIC-1(V), and the mounts for the radios, if applicable, are part of the vehicle installation equipment harness (para 1-12a(2)). The prescribed layout and cabling details are provided in the publication covering the vehicle in which the harness is installed. Instructions for installing the accessory kit components (para 1-12a(3)) are provided in the accessory kit.

b. Cabling. Refer to paragraph 4-5 for general cabling instructions.

c. Determining Position of Power Control Link in Radio Mounts. When the AN/VIC-1(V) is used with radio sets in the vehicle (fig. 4-7, 4-8, and 4-9), the position of the power control link in the radio mounts is usually set so that the AM-1780/VRC MAIN PWR switch becomes the main power control for the radio and radio-intercom systems.

(1) When the AN/VIC-1(V) is used with one of the radio sets of the AN/VRC-12 series (para 1-6a; fig. 4-7 and 4-8), the procedures for setting the power control link in the radio mounts is provided in TM 11-5820-401-20-2.

(2) When the AN/VIC-1(V) is used with Radio Sets AN/VRC-53, AN/VRC-64, AN/GRC-125, or AN/GRC-160 (fig. 4-9), the procedures are provided in TM 11-5820-498-12.

4-4. AN/VIC-1(V), General Removal and Replacement Procedures

a. Removal. As a general rule, when an item is removed, replace the mounting screws with its lock washers and nut in place in the mounting bracket or screw hole. Retain the cable straps and screws that hold the cables in the same way.

(1) To remove a cable connector, refer to the general instructions in paragraph 4-5.

(2) To remove equipment, loosen the equipment mounting screws and remove the unit from its mounting.

b. Replacement.

(1) Attach the equipment to its assigned mounting bracket. Use the prescribed mounting screws, lock washers, and nuts. Make sure one lock washer is under the head of the screw and another under the nut.

(2) Attach the cable plug to the equipment jack (para 4-5b).

c. Dust Covers. Install dust covers (fig. 1-1) on unused equipment jacks. This will prevent dirt and moisture from impairing the circuits connected to the jacks.

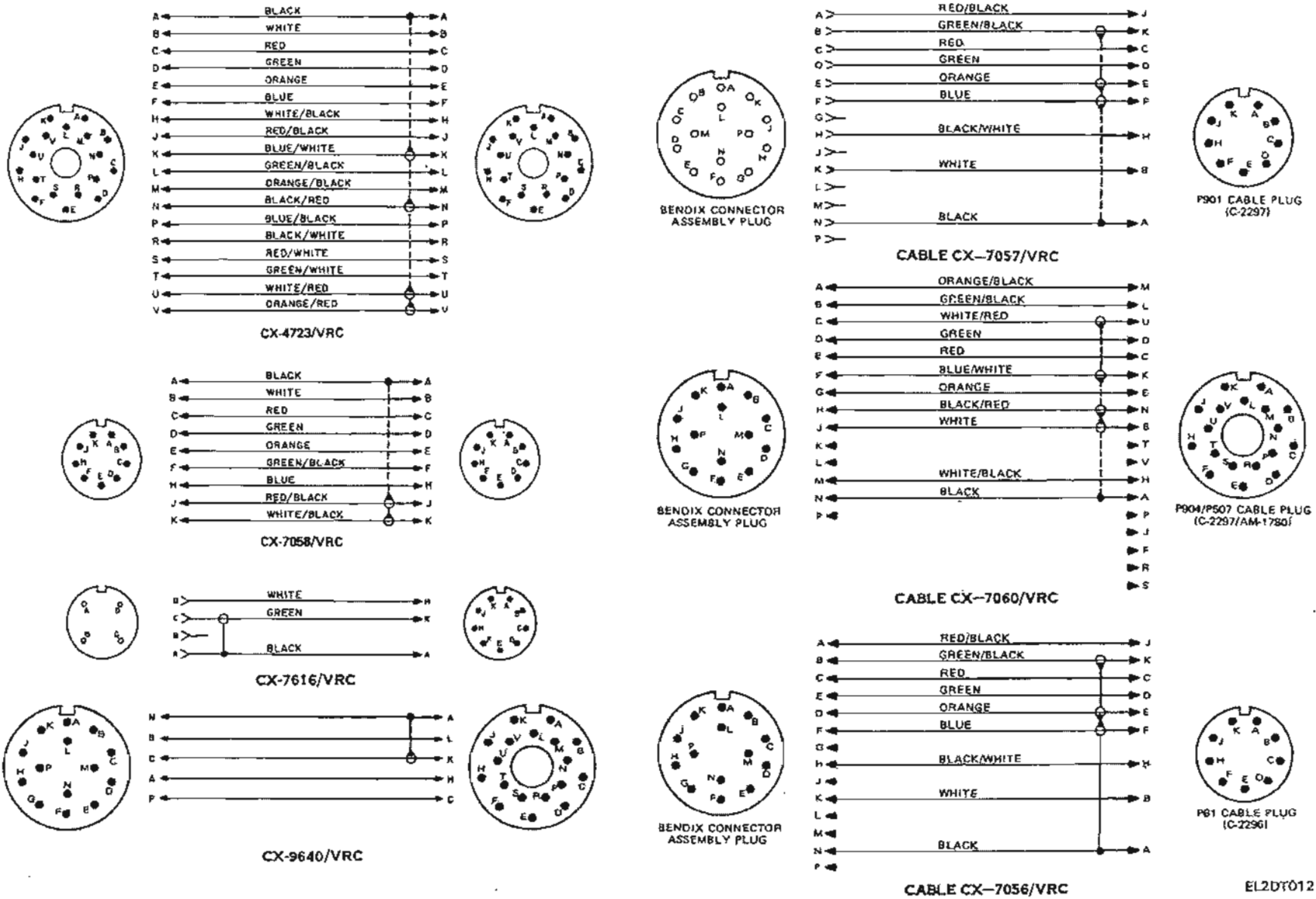


Figure 4-1. Typical cable assemblies

4-5. General Cabling Instructions

Refer to paragraph 1-12 for general discussion concerning equipment required to make the AN/VIC-1(V) operational.

a. Identifying Cable Connectors. To identify the cable plugs with the equipment jack to which they are attached, inscribe the equipment jack reference designation on a tag, label, or decal and attach it to the plug. A set of decals containing equipment jack designations (J501, J509, J71, etc.) is available. The set is identified as a marking set in SB 11-131. Attach the proper label to the neck of each cable plug while it is attached to the equipment jack.

b. Connecting Cables.

(1) Before connecting a cable to the equipment jack, observe the following:

(a) Check to see that the connector pins are straight; straighten them if necessary.

(b) Check to see that the locknuts of both sides of the plug are tight; tighten them if necessary (fig. 5-1).

(c) Check to see that the wing nuts on the plug are tight; tighten them if necessary (fig. 4-2).

(d) Replace the cable when the insulation is damaged or the insulation has come loose from the gland nut in the connector (fig. 5-1).

(2) To attach the cable plug to the equipment jack, raise the wing nut, position the plug at the angle that permits the keyway in the plug to slip into the key in the jack, then press the cable connector into the jack. Rotate the wing nut to lock the plug to the jack, and lower the wing nut.

(3) Route the cable to the assigned equipment jack.

(a) Follow the route prescribed in the installation instructions.

(b) Make sure there is no slack in the cable between the cable clamp points. Check to see that the cable clamps grip the cable securely and that the screws and lock washers holding the clamps are tight.

(4) The following information applies to the AM-1780/VRC and AM-7046/VRC and the equipment associated with it (fig. 4-4 through 4-10).

NOTE

When the C-10456/VRC or C-10680/VRC is installed in the combat vehicle, all references to C-2298/VRC in the following procedures apply to the C-10456/VRC and C-10680/VRC. Connect the cable from the remote hand or foot switch in the vehicle to the keying control jack in the vehicle to the keying control jack located behind the VOLUME control (fig. 2-5) of C-10456/VRC.

(a) The cable from the commander's control box must be attached to jack J504 on the AM-1780/VRC. This arrangement is required to ensure that the commander can assume control of the radio circuits thus overriding control of the system by other crewmembers using the intercom system.

CAUTION

The cable connection from the MT-1029/VRC of radio "A" must be attached to J501 of the AM-1780/VRC if radios are used. If attached to other jacks, the AM-1780/VRC circuit components may be damaged. If radios are not used, power should be connected to J508 and the AM-1780/VRC INSTALLATION SWITCH set to INT ONLY.

(b) The cables to the AM-1780/VRC from the crewmember control boxes (C-2298/VRC and C-2297/VRC) can be connected indiscriminately to the jacks (J505, J506, and J507) on the top of the AM-1780/VRC.

(c) In some vehicles, the connection from the driver's C-2297/VRC or C-2298/VRC is provided by direct cable connection using cable assembly CX-4723/VRC. In other vehicles, the connection is made by other cable types to the vehicle wiring system. When connection is made through vehicle wiring, the cables on both sides of the vehicle wiring must be the same (CX-7060/VRC on each side or CX-9640 on each side).

(d) The cable connections to the C-2298/VRCs can be made to either the left or right jack.

(e) One or more C-2298/VRCs can be connected to a C-2298/VRC that is connected to the AM-1780/VRC, using CX-4732/VRCs for the purpose. All C-2298/VRCs operate independently of each other when so connected.

(f) If the C-2299/VRC is used, the left jack, J701, must be connected to J511 of the AM-1780/VRC; J702 must be connected to J509 on the AM-1780/VRC.

(g) In some tank installations, a branched cable, connected on one end to the commander's C-2298/VRC, is terminated in two jacks in the cupola to which the commander's audio accessory is connected.

(h) Control box C-10456/VRC can be recognized from the C-2298/VRC control box, by the additional jack located behind the VOLUME control.

(i) To use control box C-10456/VRC in a non-remote keying situation, secure the remote keying dummy plug on the remote keying jack, J805. System operation is now identical to that of the AN/VIC-1(V)

using control box C-2298/VRC.

(j) To secure remote keying cables and dummy plug on remote keying jack of the C-10456/VRC perform the following.

1. Aline key of dummy plug or remote keying cable connector with keyway of jack.
2. Insert dummy plug or cable connector into jack.
3. Turn outer ring to the right (clockwise), while applying light pressure to the cable connector or dummy plug, until it locks into place.

(k) To remove the dummy plug or cable connector from remote keying jack perform the following.

1. Turn outer ring to the left (counterclockwise).
2. Pull connector out of keyway.

c. *Field Telephones and Intervehicle Connections.* Operation under the arrangements in (1) and (2) below is covered in paragraph 2-5c.

(1) *Field telephone connections.* A field telephone can be connected to the intercom circuits of the AN/VIC-1(V) to enable the telephone user to communicate with the crewmembers. Connect the wires from the field telephone to the LINE (or TEL/

REMOTE) binding posts of the AM-1780/VRC or the LINE binding posts of the C-2296/VRC (fig. 4-4 through 4-10).

(2) *Intervehicle connections.* The intercom circuits of different vehicles can be interconnected to enable the crewmembers to communicate with each other. This is accomplished by connecting the field wires between the LINE (or TEL/REMOTE) binding posts of the AM-1780/VRC or C-2296/VRC of one vehicle with the AM-1780/VRC or C-2296/VRC of another vehicle.

d. *Cabling Diagrams.*

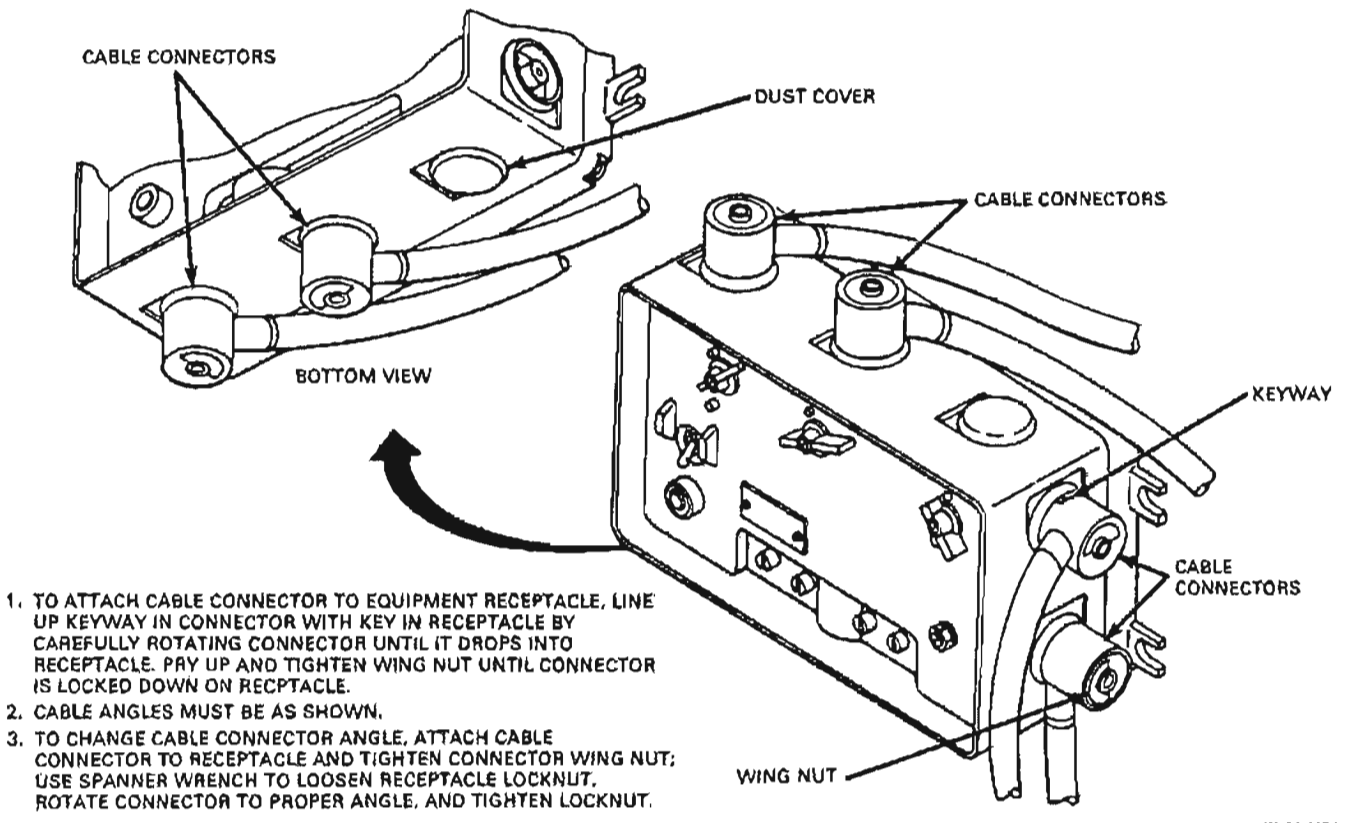
(1) Figures 4-4 and 4-5 show typical cabling of AN/VIC-1(V) when it is not used in conjunction with radio equipment (para 1-8a).

(2) Figure 4-7 through 4-10 show cabling of AN/VIC-1(V) when it is used in conjunction with radio equipment (para 1-8b).

e. *Cabling Details.*

(1) Figure 4-2 shows cabling details for the AM-1780/VRC pointing out proper cable angles.

(2) Figure 4-3 shows cabling details for control boxes, pointing out proper cable angles.



EL2DT013

Figure 4-2. AM-1780/VRC cabling details, shown in "with radio" configuration.

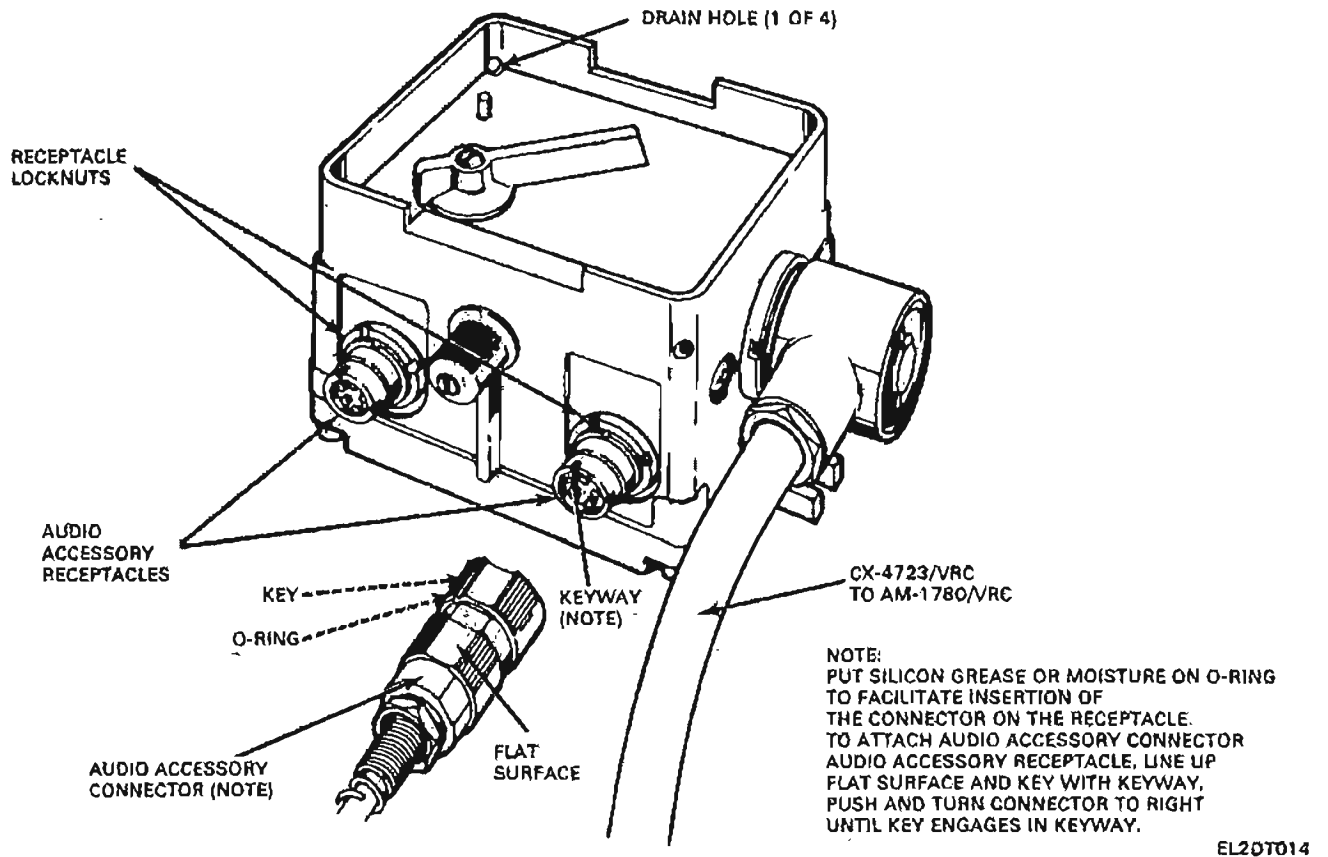
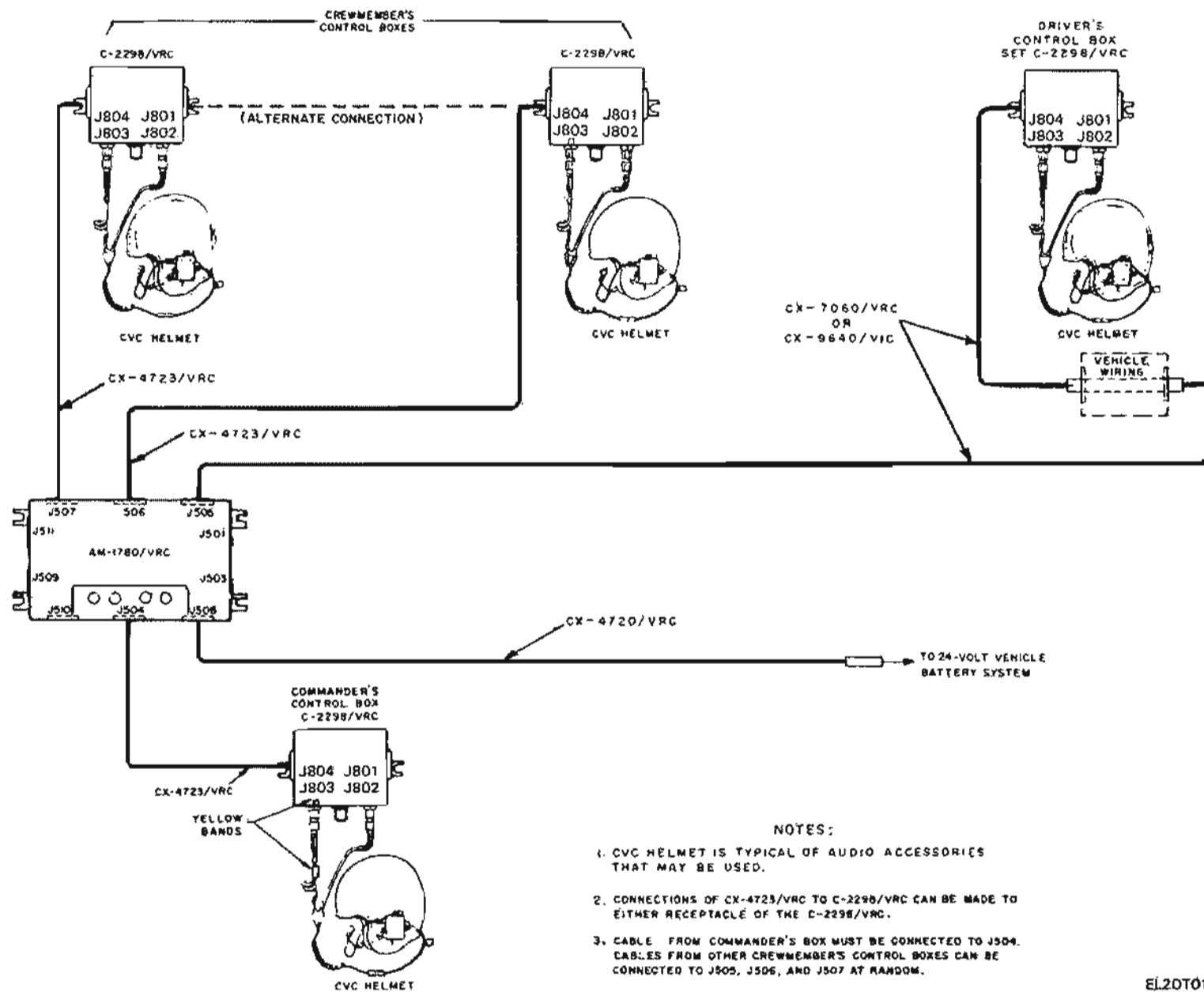
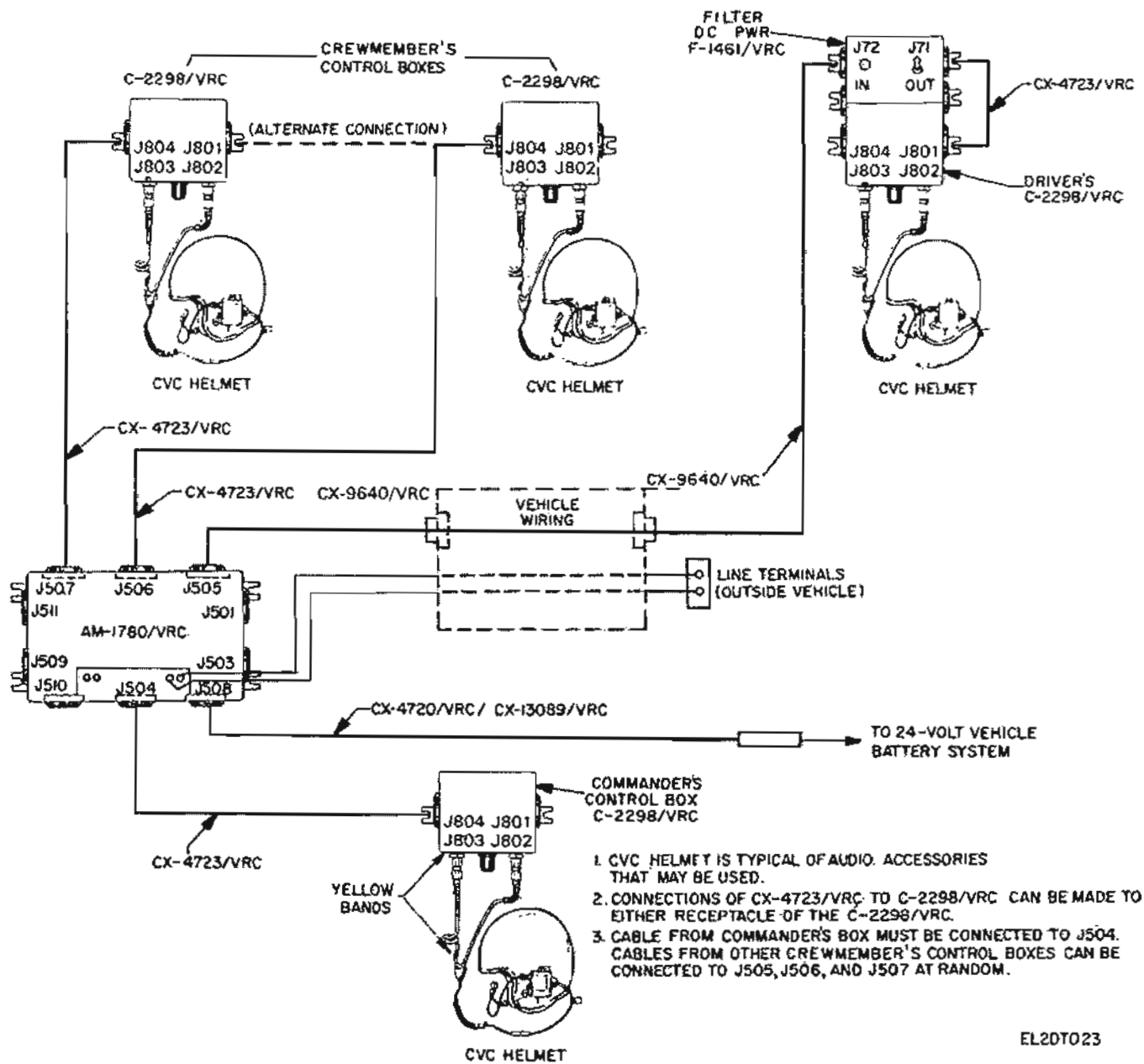


Figure 4-3. Control box cabling details.



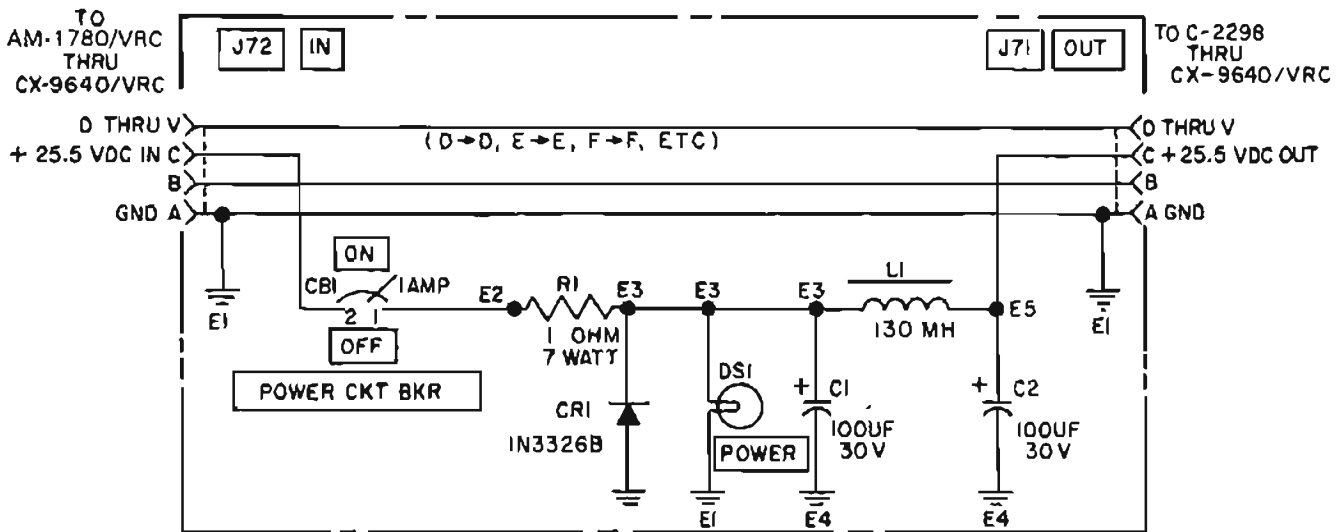
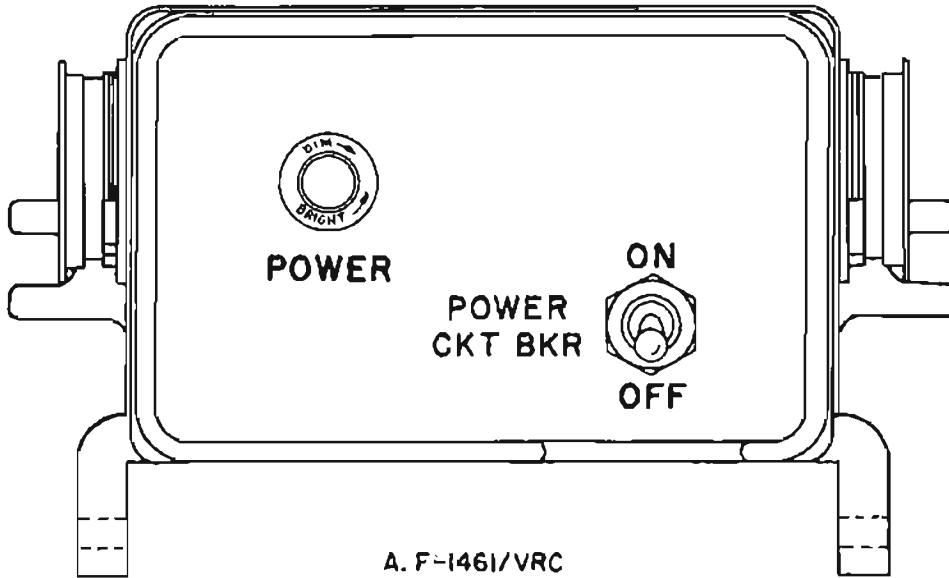
EL20T015

Figure 4-4. Typical cabling of AN/VIC-1(V) when radio equipment is not provided.



EL20T023

Figure 4-5. Typical cabling of AN/VIC-1(V) in Howitzer M109, A1, A



EL2DT025

Figure 4-6. Filter, Dc Power F-146/VRC and schematic diagram.

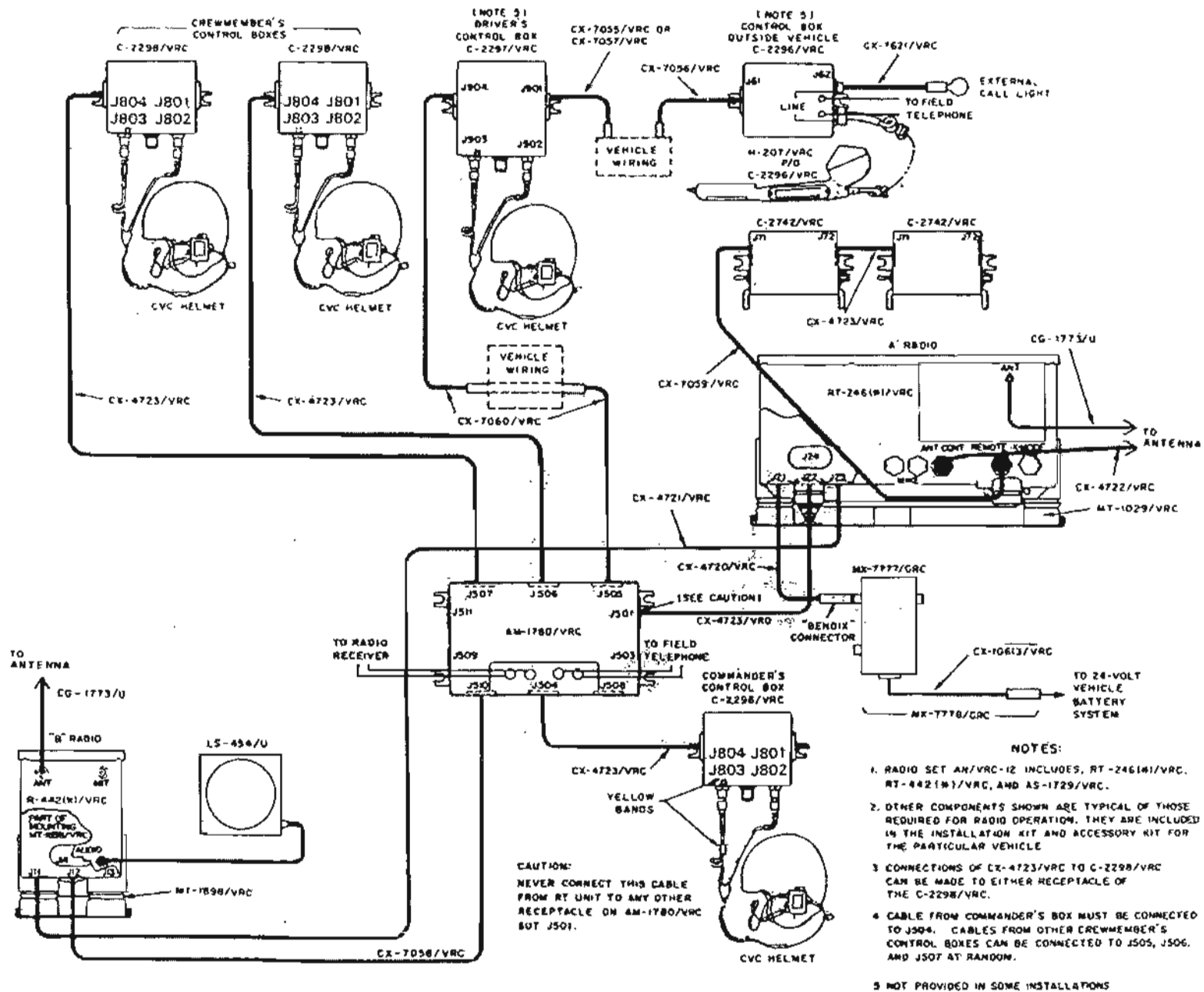
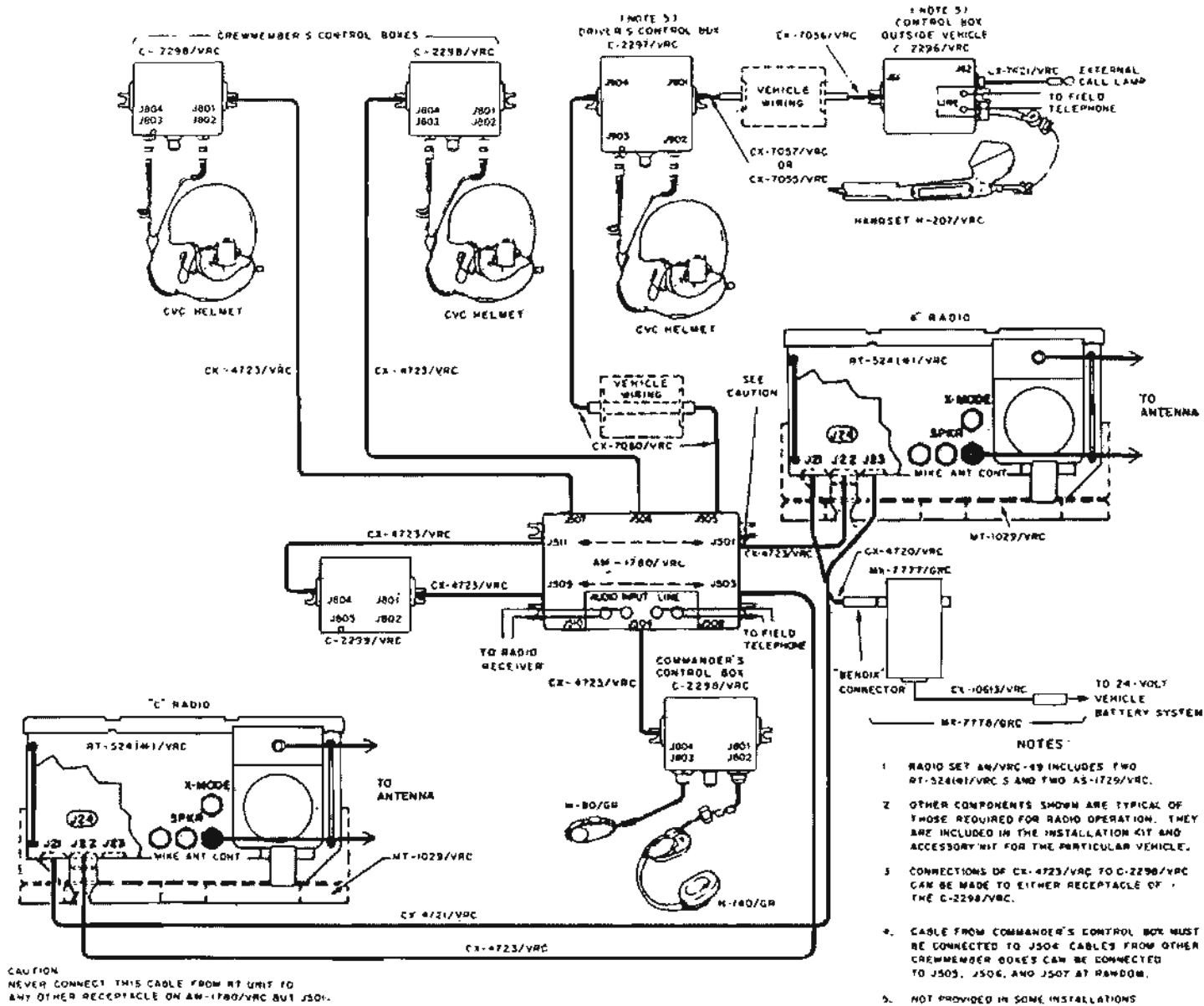
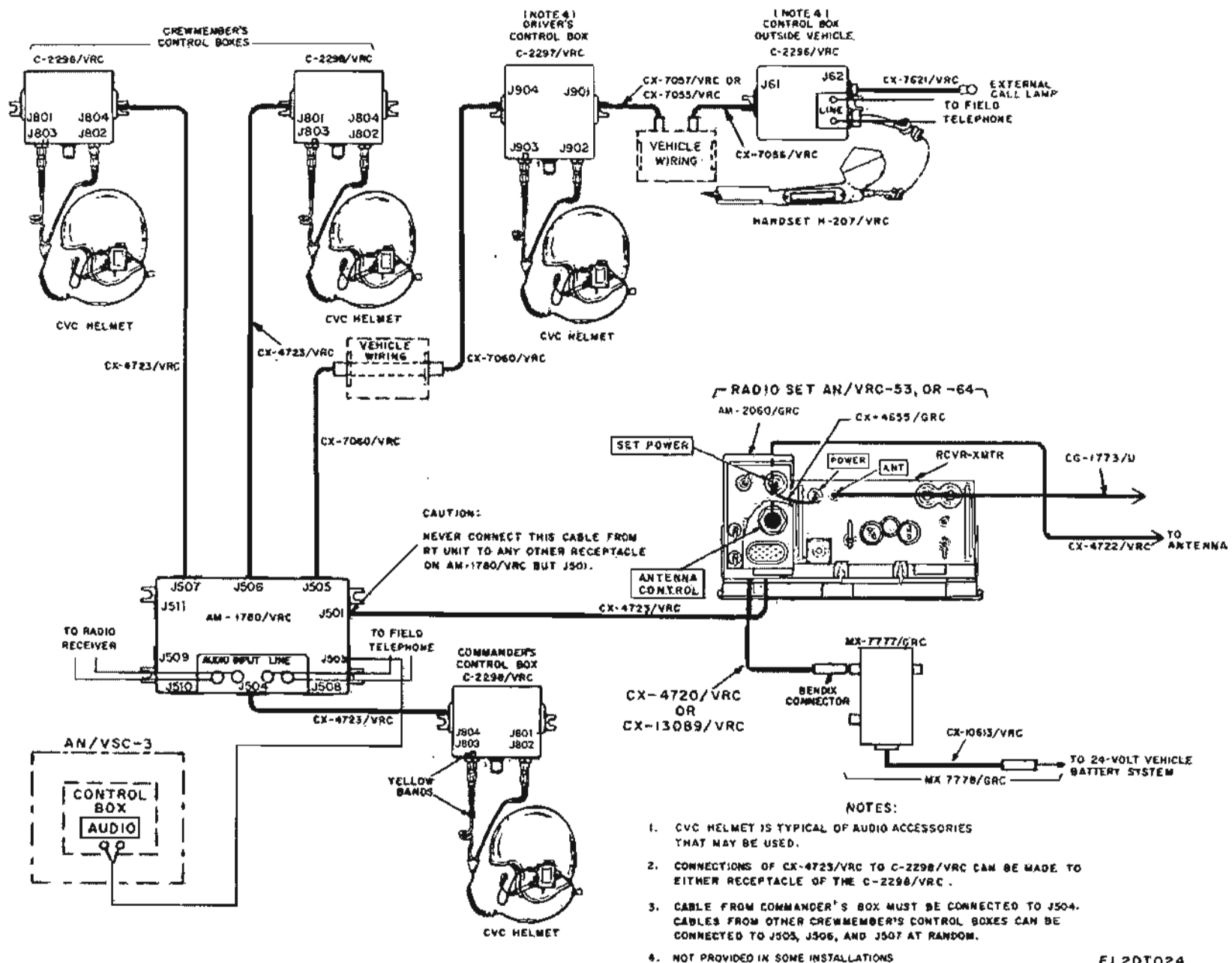


Figure 4-7. Typical Cabling of AN/VIC-1(V) with Radio Set AN/VRC-12.



EL2DT019

Figure 4-8. Typical cabling of AN/VIC-1(V) with Radio Set AN/VRC-49.



EL20T024

Figure 4-9. Typical cabling of AN/VIC-1(V) with Radio Sets AN/VRC-53 or AN/VRC-64 and AN/VSC-3.

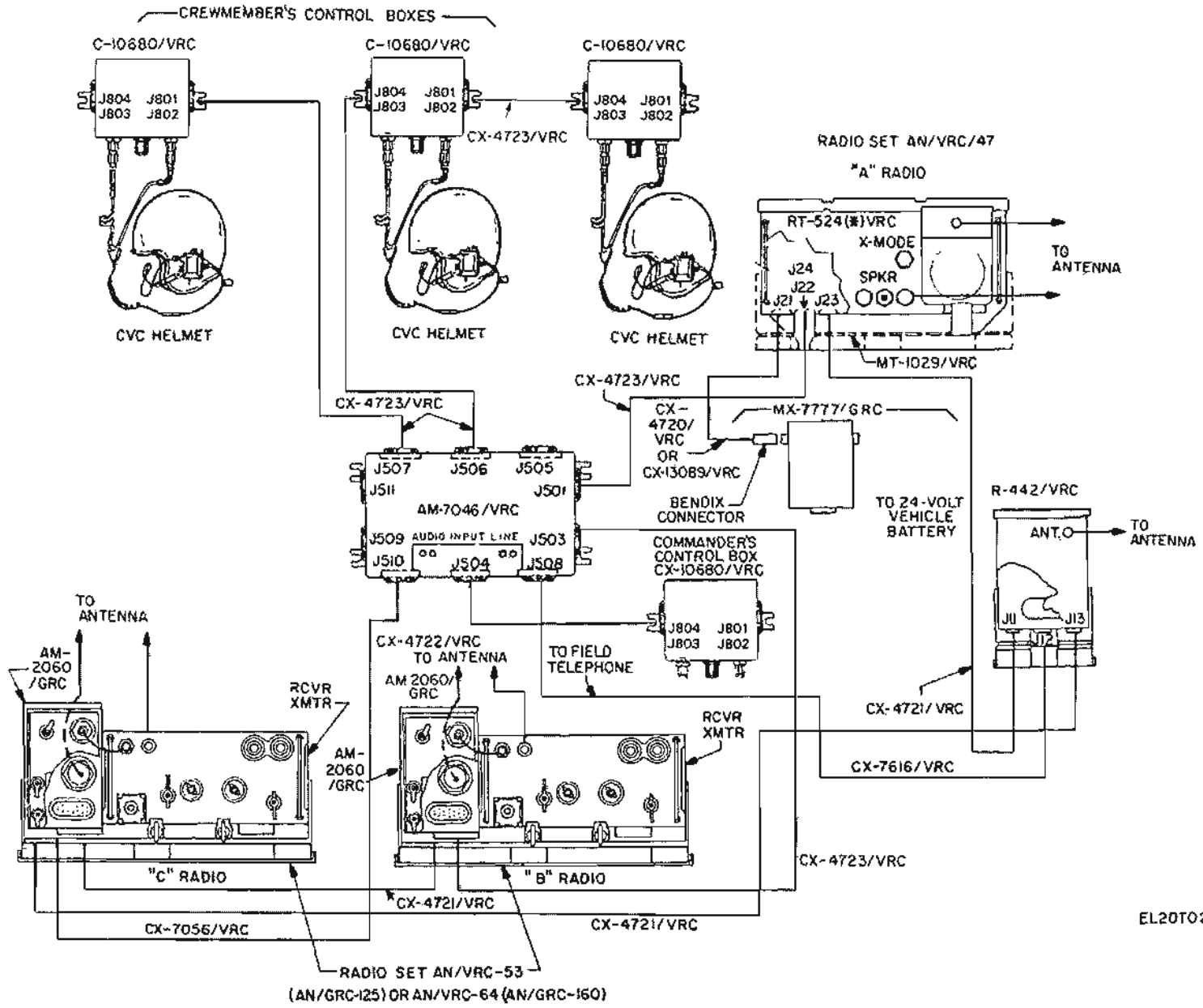


Figure 4-10. Cabling of AN/VIC-1(V) with Radio Sets AN/VRC-47 and AN/VRC-64 in Interim Fire Support Team (IFIST) M113A1.

**4-6. Installing and Removing Power Cables
CX-4720/VRC and CX-13089/VRC**

Cable Assemblies CX-4720/VRC and CX-13089/VRC (fig. 4-11) provide connection between the dc power source and the AM-1780/VRC (fig. 4-4 and 4-5), or between the dc power source and the MT-1029/VRC when the radio equipment is used with the AN/VIC-1(V) (fig. 4-7 through 4-10). The power cables are available in various lengths depending on the distance between the power outlet and the equipment.

a. *Attaching Terminal Lugs and Bendix Connector to CX-4720/VRC.* Depending on the vehicle in which the equipment is used, either terminal lugs ((1) below) or a Bendix connector ((2) below) is attached to the CX-4720/VRC.

(1) *Terminal lugs.* In installations in which the power cable is connected directly to the vehicle battery, terminal lugs are soldered to cable conductors. The lugs are issued with the installation kit for

the vehicle and are sometimes supplied with MT-1029/VRC.

NOTE

In order to identify the CX-4720/VRC wire conductors, attach a label permanently to each conductor (fig. 4-12). Use either battery cable lead labels made for this purpose or TY-RAP cable ties marked with the letters POS and NEG. The blue-green pair is the negative and the red-white pair is positive. The positive lug is larger than the negative lug.

(2) *Bendix connector.* In vehicles in which dc power is available from a 3-pin receptacle, or from Suppressor, Electrical Transient MX-7778/VRC, the CX-4720/VRC or CX-13089/VRC is attached to the vehicle Bendix receptacle.

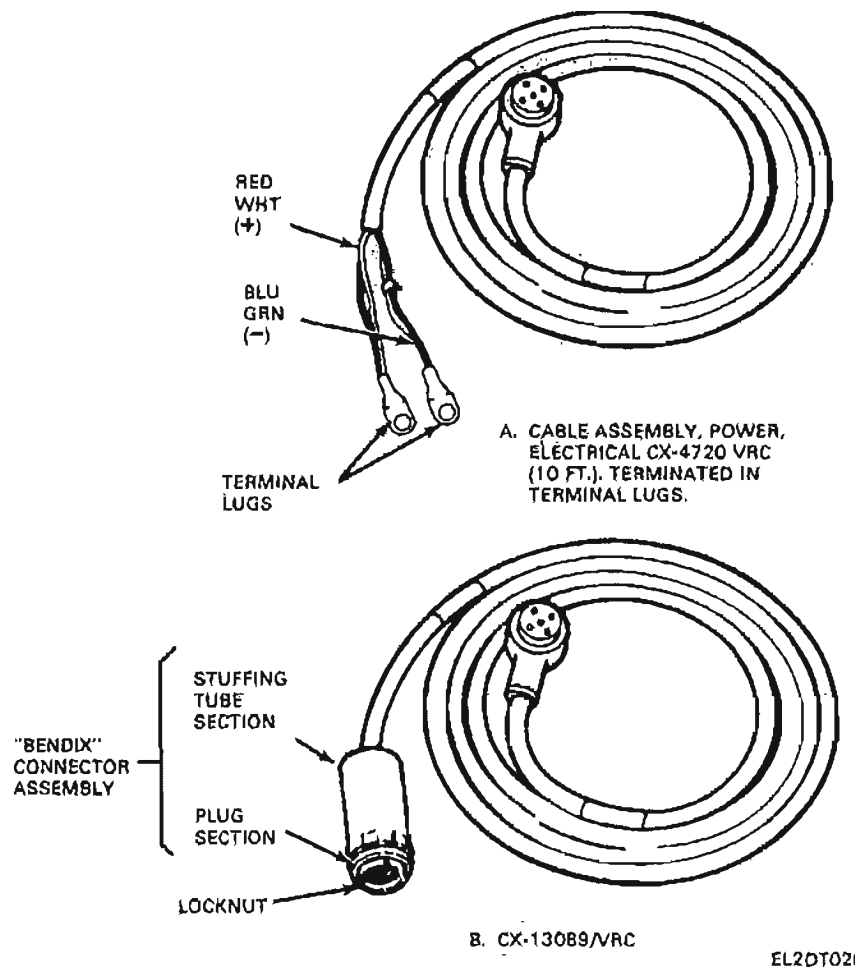


Figure 4-11. Cable Assembly, Power, Electrical CX-4720/VRC, terminated in terminal lugs and Bendix connector assembly. When issued with Bendix connector assembly, cable is type CX-13089/VRC.

b. *Installing and Removing CX-4720/VRC or CX-13089/VRC.*

WARNING

Before installing or removing dc power cables, CX-4720/VRC and CX-13089/VRC, turn off the vehicle engine and the AM-1780/VRC MAIN PWR switch to OFF (fig. 2-1). Also, turn off the radio equipment, if provided.

(1) Installation.

(a) When the AN/VIC-1(V) is used alone (fig. 4-4), attach the CX-4720/VRC (or CX-13089/VRC) to J508 on the AM-1780/VRC.

(b) When the AN/VIC-1(V) is used with the radio system (fig. 4-7 through 4-10), the CX-4720/VRC (or CX-13089/VRC) is connected to J21 of the MT-1029/VRC. The dc power is applied through the MT-1029/VRC jack J22 and the CX-4723/VRC to J501 on the AM-1780/VRC for use both by the AN/VIC-1(V) intercom set and the radio set(s). To install the dc power cable (CX-4720/VRC or CX-13089/VRC) use the procedures in 1 through 5 below.

NOTE

All references to "dc power cable" apply to CX-4720/VRC and CX-13089/VRC in the following procedures.

1. Separate the top tray of the MT-1029/VRC left jack J21 (fig. 4-7). If applicable, connect the CX-4723/VRC to J22 and the other dc power cable, CX-4721/VRC, to J23. Route each cable between the top tray and the base assembly in such a way that it follows the cable route to the next equipment.

2. Reinstall the top tray on the base assembly.

3. Route the cable to the equipment; use the prescribed route, insulators, and cable clamps that are provided.

WARNING

Vehicle battery can give off explosive gas. Don't smoke and be careful to avoid sparks

when working near battery. Otherwise, you may cause an explosion injuring yourself and others.

4. When the cable is provided with terminal lugs (A, fig. 4-11), attach the cable lugs to the battery terminals as shown in figure 4-12.

CAUTION

Reversing the polarity of the cable lugs will damage the AM-1780/VRC.

5. When the cable is provided with the Bendix connector (B, fig. 4-11), connect the plug section to the vehicle dc power outlet or the MX-7778(*)/GRC, and tighten the locknut.

(2) Removal.

(a) When the AN/VIC-1(V) is used alone (without radio system), disconnect the dc power cable from J508 on the AM-1780/VRC (fig. 4-4).

(b) When the AN/VIC-1(V) is used with radio system, use the procedures in 1 or 2 below.

1. Separate the top tray of the MT-1029/VRC from its base assembly and disconnect the dc power cable from the jack (J21). If required, disconnect other cables from the radio mount receptacles. Replace the top tray on the base assembly.

WARNING

Vehicle battery can give off explosive gas. Don't smoke and be careful to avoid sparks when working near battery. Otherwise, you may cause an explosion injuring yourself and others.

2. Disconnect the other end of the dc power cable from the battery terminals (fig. 4-12); be sure to tighten the nuts on the battery clamps after removal of the dc power cable. If the cable is connected to the vehicle dc power outlet or the MX-7778(*)/GRC, loosen the locknut on the Bendix connector and remove the connector from the outlet.

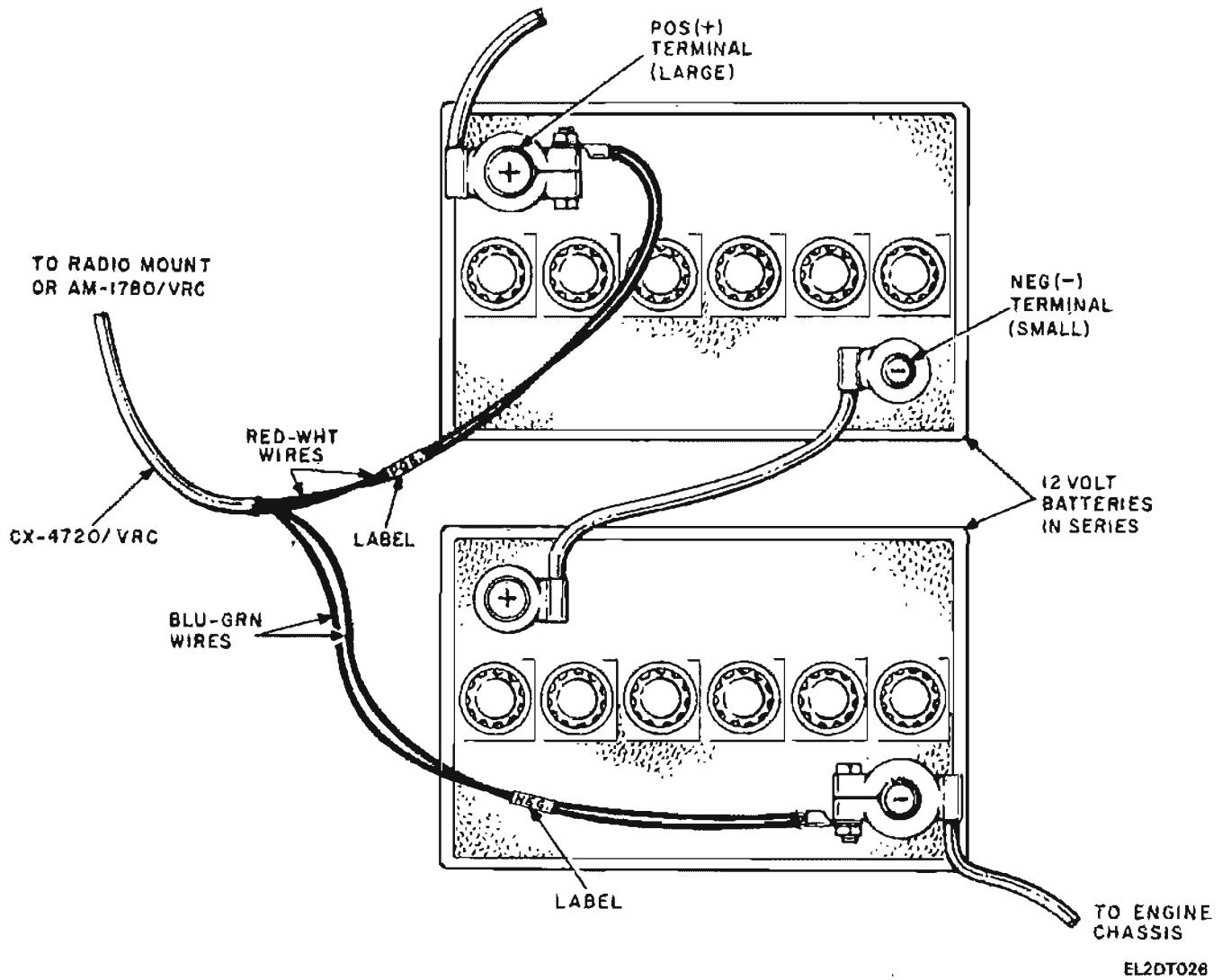


Figure 4-12. Connecting CX-4720/VRC to vehicle battery.

CHAPTER 5

ORGANIZATIONAL MAINTENANCE INSTRUCTIONS

Section I. PREVENTIVE MAINTENANCE

5-1. Scope of Organizational Maintenance

a. Organizational maintenance of the AN/VIC-1(V) includes the following:

(1) Preventive maintenance checks and services (PMCS) (para 5-2, table 5-1).

(2) Lubricating parts (para 5-3) and touchup painting (para 5-4).

(3) Troubleshooting (para 5-9) and maintenance (para 5-11).

b. Tool Kit, Electronic Equipment TK-101/G is required for tools to install and replace equipment.

5-2. Preventive Maintenance, General

Preventive maintenance is the systematic care, servicing, and inspection of equipment to prevent occurrence of trouble, to reduce downtime, and to assure that the equipment is serviceable. Preventive maintenance checks and services (PMCS) defines the procedures to be performed at specific intervals and under certain conditions. Organizational PMCS is performed on a monthly and quarterly schedule (table 5-1).

a. If the equipment fails to operate, try troubleshooting (para 5-9). Refer to DA Pam 738-750 for forms and records to be used for troubleshooting and for recording, scheduling, and reporting PMCS.

b. If the equipment must be kept in constant operation, select those items that can be checked and serviced without disturbing operation. Make the complete checks and services when the equipment can be shut down.

c. Select those items to be inspected that are authorized for the vehicle installation.

d. The *Item no.* in table 5-1 shall be used as a source of item numbers for the *TM number* column on DA Form 2404 (Equipment Inspection and Maintenance Worksheet) in recording the results of the PMCS.

NOTE

The PMCS procedures in table 5-1 are for the AN/VIC-1(V) installed in a vehicle in which no radio is connected to the AN/VIC-1(V). For AN/VIC-1(V) connected to radio, refer to the following publications for organizational PMCS for indicated radio configurations:

<i>Radio configuration</i>	<i>Publication</i>
Radio Sets AN/VRC-12, AN/VRC-48 through AN/VRC-49	TM 11-5820-401-20-2
Radio Sets AN/VRC-53, AN/VRC-64, AN/GRC-125, and AN/GRC-160	TM 11-5820-498-12

e. Routine checks, such as cleaning (para 3-3), checking for frayed or damaged cables, stowing items not in use, checking for loose nuts and bolts etc., are not listed in the PMCS chart. These are things you should do anytime you see they must be done.

5-3. Using Lubricants on Connecting Surfaces

There are two kinds of lubricants that can be used on the mating surfaces of the equipment. One is used on the radio whip antenna sections to prevent them from seizing; the other is used on surfaces of preformed packing in the covers of equipment and the O-rings on connectors (b below).

a. *Lubricants.* Following are typical lubricants that can be used.

(1) Grease, Graphite. This is used on radio whip antenna sections.

(2) Insulating Silicone Compound, used on O-rings, preformed packing, and gaskets (b below).

b. *Lubricating O-rings, Preformed Packing and Gaskets.*

(1) Typical example of O-ring is found in audio accessory cable connectors (fig. 5-1).

(2) Typical examples of preformed packing are found embedded in the covers of the control boxes and radios. Gaskets used in the installation may also be coated with the insulating silicone compound.

CAUTION

Do not let the insulating silicone compound touch electrical contacts or surfaces.

(3) Clean the surface and apply a thin film of insulating silicone compound, item a(2) above.

5-4. Painting

Remove rust and corrosion from metal surfaces by lightly sanding them with fine sandpaper. Brush two thin coats of paint on the bare metal to protect it from further corrosion. Refer to applicable painting and refinishing instructions given in SB 11-573 and TB 43-0118.

Table 5-1. Organizational Preventive Maintenance Checks and Services

Item no.	Interval		Item to be inspected	Procedure
	M	Q		
1	●		OUTSIDE CONTROL BOX C-2296	Check to see that outside signal lamp is in place. Replace if missing or broken. Check for damage.
2	●		Signal lamp H-207 and cord SUPPRESSOR, ELECTRICAL TRANSIENT (MX-7777/GRC)	
3	●		Controls a. Circuit breaker b. BATTLE OVER-RIDE switch	a. Check for smooth operation. b. With radio-intercom system turned off, check for smooth operation.
4	●		Ground strap	Check that ground strap is properly connected. Tighten if loose; replace if frayed or damaged.
5		●	Cable connections	Check that cable plug and component jack locking rings are tight to prevent twisting of cables and possible damage to internal wiring. Tighten lock rings with spanner wrench. Tighten loose cable restraint (gland) nut using adjustable wrench.
6	●		AM-1780 POWER CKT BKR	Check for smooth operation.
7		●	Equipment modifications	Check to see whether modification work orders (MWOs) are required to be performed on the equipment (fig. 1-1). Refer to DA Pam 310-1 for listing of MWOs.
8	●			Do the operational check for the intercom set (para 5-6c).

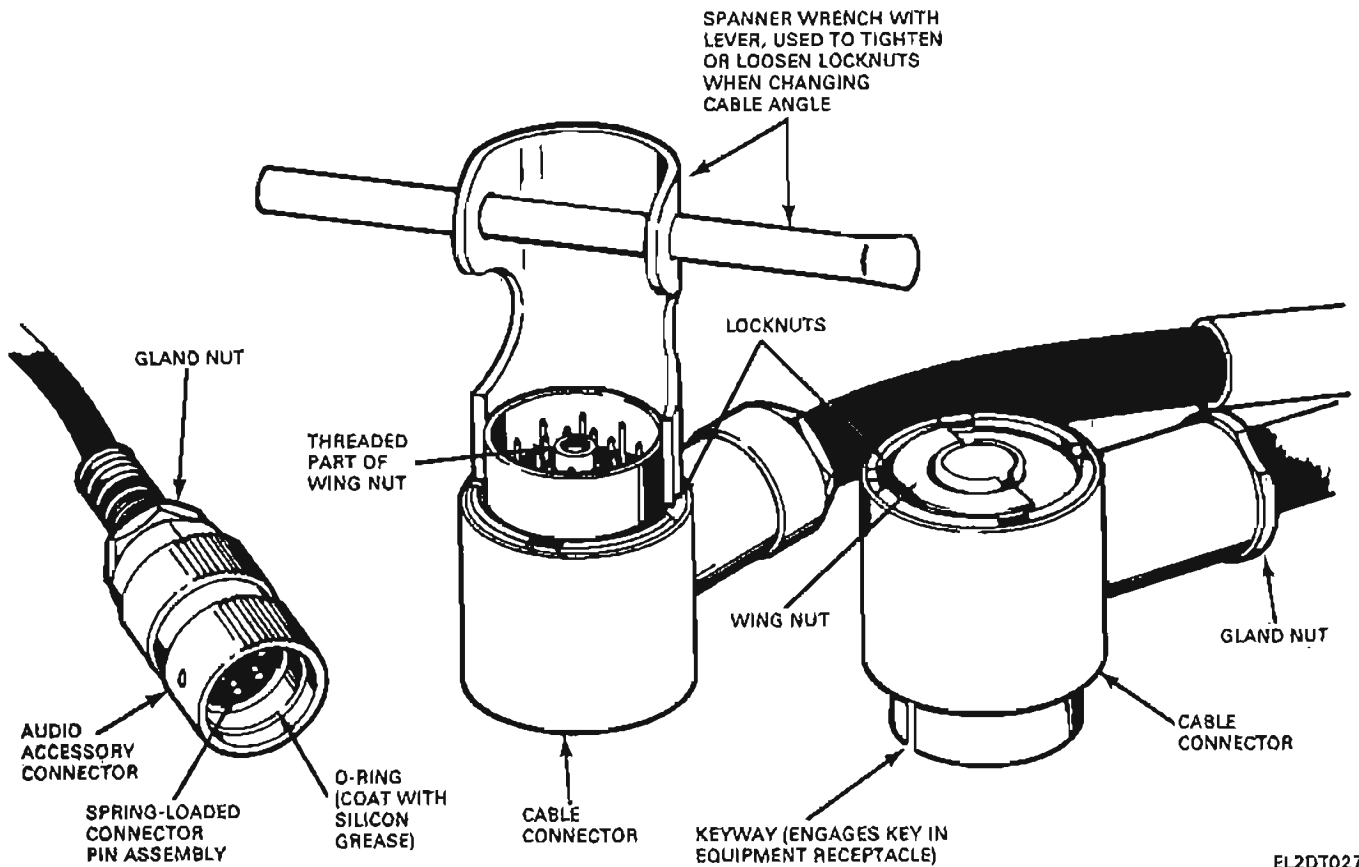


Figure 5-1. Details of cable connectors.

EL2DT027

Section II. TROUBLESHOOTING AND MAINTENANCE

5-5. General

a. When troubleshooting procedures identify a piece of equipment as defective, it is either replaced at the organizational maintenance facilities or referred to higher maintenance level for repair.

b. The following equipment is required to troubleshoot and repair the equipment.

- (1) Tool Kit, Electronic Equipment TK-101/G.
- (2) Multimeter AN/URM-105 (TM 11-6625-203-12).

5-6. Troubleshooting the Intercom Set

a. *General.* The procedures used in this chapter are used to check the operation and troubleshoot the intercom set without radios. For radio-intercom systems (radios installed) refer to TM 11-5820-401-20-2 for radio-intercom system using AN/VRC-12 series radios or TM 11-5820-498-12 for radio-intercom system using AN/VRC-64 or AN/GRC-160 series radios.

(1) Before proceeding, perform the checks and corrective measures in the operator's troubleshooting procedures (para 3-4 and 3-5).

(2) Refer to figure 4-1 when troubleshooting cable assemblies.

(3) Refer to figures FO-1 and FO-2 for power and signal distribution circuits of the radio-intercom system.

(4) Simplified block diagrams are provided throughout the troubleshooting flow charts.

(5) Repair information is contained in paragraph 5-11.

b. *Troubleshooting the Intercom Set.* The troubleshooting procedures listed herein cannot be all-inclusive. The methods used below may be altered to fit the configuration concerned. The troubleshooting procedure contains two parts, an operational check (c below) and troubleshooting flow charts, paragraph 5-9. The operational check is normally done with the equipment installed in the vehicle. As a minimum, it is performed as part of the scheduled preventive maintenance checks and services (PMCS). After repairs, the operational check, or the appropriate portion of it, should be performed to ensure that the malfunction has been corrected and that no other malfunction exists.

(1) The operational check first lists preparatory actions that, when done, establish a starting condition for the equipment performance checklist (EPC) that follows.

(2) The equipment performance checklist contains detailed steps consisting of a procedure to follow,

normal (expected) results, and a remarks column.

(3) When normal indications are observed, proceed to the next step or follow the how to proceed instructions.

(4) When abnormal indications are observed, the step will either state a faulty item of equipment or refer you to a troubleshooting flow chart, by number. These charts are contained in paragraph 5-9.

(5) Observe all **WARNINGS** and **CAUTIONS** as they appear throughout the procedures.

c. *Operational Check.* Follow the procedures below in the sequence given.

- (1) *Initial Adjustments.* (Perform as applicable.)

WARNING

To safeguard against electrical shock and possible damage to equipment, remove or tape all personal exposed metal objects such as watches, rings, and medallions.

(a) Set vehicle MASTER POWER switches OFF (hull and turret).

(b) Set MX-7777(*) circuit breaker and BATTLE OVERRIDE switches OFF.

(c) Set AM-1780/VRC (AM-7046/VRC) MAIN PWR and POWER CKT BKR switches to OFF.

CAUTION

Do not start vehicle engine with any communication equipment turned on. Make certain that all communications components that have POWER switches are turned OFF. Starting a vehicle with communication equipment on can cause serious damage to its components.

(2) Refer to the appropriate TM and ensure that all items of equipment for the intercom set are properly installed, and that the cables are properly routed and connected.

(3) Start vehicle and set MASTER POWER switches ON.

(4) Set AM-1780/VRC or AM-7046/VRC INSTALLATION SWITCH to INT ONLY.

(5) Set RADIO TRANS switch to LISTENING SILENCE.

(6) Set INT ACCENT switch to OFF.

(7) Open POWER lamp lens cover by turning lens cover counterclockwise to stop, then 1/8 turn clockwise.

CAUTION

The POWER lamp socket may become loose and rotate in the AM-1780/VRC (AM-7046/VRC) housing causing an adverse short. Do not operate the equipment when this receptacle is loose.

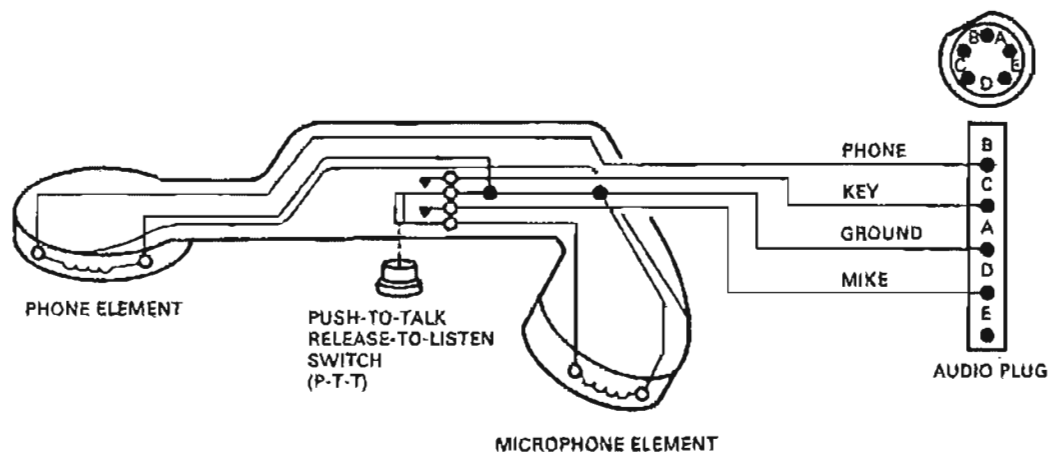
(8) Set the C-2297/VRC (if included, at the driver's position) as follows:

- (a) SIG-EXT-OFF switch to OFF
- (b) Open lamp lens cover by turning lens collar counterclockwise to stop, then clockwise $\frac{1}{2}$ turn.

CAUTION

The lamp socket may become loose and rotate in the C-2297/VRC housing causing an adverse short. Do not operate the equipment if this receptacle is loose.

(9) Check the operation of the H-189/U as shown. To circuit disturb, set the multimeter up as an ohmmeter, $R \times 10$, and connect the negative lead to chassis ground. Touch the positive lead to the test point several times. A clicking sound should be heard each time the test point is touched.



EL2DT028

Figure 5-2. H-189/U Handset.

(a) *Phone Element Check.* Circuit disturb (para 5-6c(9) above) between pin A and B of handset's audio plug. A clicking sound should be heard from phone element.

(b) *Keying Check.* Connect meter leads between pin A and C of handset's audio plug. With handset's push-to-talk switch held in, meter should show zero ohms. With handset's push-to-talk switch released, meter should show infinity (∞) ohms.

(c) *Microphone Element Check.* Connect meter leads between pin A and pin D of handset's audio plug. While listening to microphone element, press and release handset's push-to-talk switch several times. A

clicking sound should be heard from microphone element.

NOTE

Before connecting cables and audio accessories to components of the intercom set, make sure that all plug and jack contacts or pins are clean and undamaged. After connection, ensure that the connection is tight.

(10) Perform the Equipment Performance Checklist below.

5-7. Equipment Performance Checklist

NOTE

If the MX-777A is installed, the BATTLE OVERRIDE switch should remain in the OFF (closed hood) position.

Step	Procedure	Normal indication	Remarks
1.	Set vehicle MASTER power switches to ON.	Vehicle MASTER power lamps should light.	If lamps do not light, report condition to supervisor.
2.	If installed, set MX-7777 circuit breaker to ON.	Circuit breaker should stay ON.	If circuit breaker trips, refer to troubleshooting chart, figure 5-3.
3.	Turn AM-1780/VRC MAIN PWR switch to INT ONLY.	AM-1780/VRC POWER lamp should not light.	If POWER lamp lights, replace AM-1780/VRC.
4.	Set AM-1780/VRC POWER CKT BKR to ON.	AM-1780/VRC POWER lamp should light.	a. If POWER lamp does not light, refer to troubleshooting chart, figure 5-4. b. If POWER CKT BKR trips OFF, refer to troubleshooting chart, figure 5-5.
5.	Connect handset to commander's control box, J803 (yellow band).		
6.	Turn VOLUME control fully clockwise.		
7.	One at a time, for each position of the MONITOR switch listed, key the handset and speak into the microphone, then unkey handset: A ALL B C	For each position of the MONITOR switch, relays in the AM-1780/VRC should click and sidetone should be heard.	a. If in any switch position the relays do not click and no sidetone is heard, refer to troubleshooting chart, figure 5-7. b. If in any switch position relays do not click, but sidetone is heard, refer to troubleshooting chart, figure 5-8. c. If in all switch positions relays click but no sidetone is heard, refer to troubleshooting chart, figure 5-10. d. If in a particular switch position relays click but no sidetone is heard, refer to troubleshooting chart, figure 5-11.
8.	Move handset from J803 to J802 on commander's control box.		
9.	Turn MONITOR SWITCH to INT ONLY.		
10.	Key handset and talk into microphone.	AM-1780/VRC relays should click and sidetone should be heard.	If normal indications are not obtained, replace commander's control box.

NOTE

If there is only a driver's control box left in the installation, go to step 18 at this time.

11.	Move handset to J803 (yellow band) of crewmember's control box (not driver's).		
12.	Turn VOLUME control fully clockwise.		
13.	One at a time, for each position of the MONITOR switch listed, key handset and talk into microphone, then unkey handset: ALL A INT ONLY B	For each position of the MONITOR switch, relays in the AM-1780/VRC should click and sidetone should be heard.	a. If in any position relays do not click and no sidetone is heard, refer to troubleshooting chart, figure 5-7. b. If in any position relays do not click but sidetone is heard, refer to troubleshooting chart, figure 5-12. c. If in all positions relays click but no sidetone is heard, refer to troubleshooting chart, figure 5-10. d. If in a particular position relays click but no sidetone is heard, refer to troubleshooting chart, figure 5-11.

5-7. Equipment Performance Checklist – Continued

Step	Procedure	Normal indication	Remarks
14.	Move handset from J803 to J802 of the same control box.	AM-1780/VRC relays should click and sidetone should be heard.	If normal indications are not obtained, replace the control box.
15.	Set MONITOR switch to INT ONLY.		
16.	Key handset and talk into microphone, then unkey handset.		
17.	Repeat steps 11 through 16 for each crew-member's (not driver's) control box. Then go to step 18.		
18.	Connect the handset to J803 or J903 (yellow band) of the driver's control box.	For each position of the MONITOR switch, relays in the AM-1780/VRC should click and sidetone should be heard.	Steps 18 through 31 are for the driver's control box only.
19.	Turn VOLUME control fully clockwise.		
20.	If driver's control box is C-2297/VRC, set the SIG-EXT-OFF switch to OFF.		
21.	One at a time, for each position of the MONITOR switch listed, key handset and talk into the microphone, then unkey the handset: ALL A INT ONLY B		
22.	Move handset to J802 or J902.		
23.	Set MONITOR switch to INT ONLY.		
24.	Key handset and talk into microphone, then unkey handset.		
25.	If driver's control box is a C-2298/VRC, the EPC is completed; if it is a C-2297/VRC, continue with step 26.		
26.	Turn lens cover fully counterclockwise then 1/4 turn clockwise.		
27.	Set SIG-EXT-OFF switch to OFF.		
28.	Set SIG-EXT-OFF switch to EXT.		AM-1780/VRC relays should click and sidetone should be heard.
29.	Set SIG-EXT-OFF switch to SIG.	Lamp should not light.	If lamp lights, refer to troubleshooting chart, figure 5-13.
30.	Return SIG-EXT-OFF switch to EXT.	Lamp should light, AM-1780/VRC relay should not click.	a. If lamp does not light and AM-1780/VRC circuit breaker does not trip, lamp or lamp circuit is bad.
31.	Set MONITOR switch to ALL.	Lamp should light.	b. If lamp does not light and AM-1780/VRC circuit breaker trips, refer to troubleshooting chart, figure 5-14.
32.	Turn C-2296/VRC volume control fully clockwise.	Lamp should light.	c. If lamp lights but AM-1780/VRC relays click, refer to troubleshooting chart, figures 5-13.
33.	C-2296/VRC RAD TRANS-INT switch should be in INT (spring held).	Lamp should light.	If lamp does not light, refer to troubleshooting chart, figure 5-15.
34.	Key handset, H-207, and talk into its microphone.	AM-1780/VRC relays should click and sidetone should be heard.	If switch is in RAD TRANS, the switch should be replaced at higher maintenance.
			a. If relays do not click, refer to troubleshooting chart, figure 5-16.
			b. If relays click but no sidetone is heard, refer to troubleshooting chart, figure 5-17.

5-8. Using the Troubleshooting Flow Charts

a. *Entry.* The troubleshooting flow charts are entered from the equipment performance checklist (EPC). Based on the abnormal indication observed, use the appropriate chart.

b. *Special Symbols.* The special symbols listed below are used throughout the troubleshooting flow charts.

- (1) Ω for Ohms (resistance).
- (2) $>$ for greater than.
- (3) $<$ for less than.
- (4) ∞ for infinity (a number too large to write).
- (5) **C/B** control box.

c. *Instructions.* The instructions listed below apply to the use of the troubleshooting flow charts.

(1) Unless otherwise stated, all voltage measurements, resistance measurements, and circuit disturbance checks are made with respect to chassis ground (bare metal).

(2) To circuit disturb, set the multimeter up as an ohmmeter, R \times 10, connect the negative lead to chassis ground (bare metal), and touch the point with the positive lead. A click should be heard.

(3) To measure the ac talk signal, set the multimeter up as an ac multimeter (lowest range), connect the negative lead to chassis ground, connect the positive lead to the test point, key the mike and note the reading. Next, sharply whistle into the mike and look to see if the meter reading changes. An increase in the ac voltage reading indicates the presence of the talk signal.

(4) Observe all **WARNINGS** and **CAUTIONS** as they appear throughout the flow charts.

WARNING

To guard against electrical shock, remove or tape all exposed personal objects.

CAUTION

To guard against equipment damage when making measurements or circuit disturbing with power applied, make sure the proper pin is selected and the meter leads do not touch.

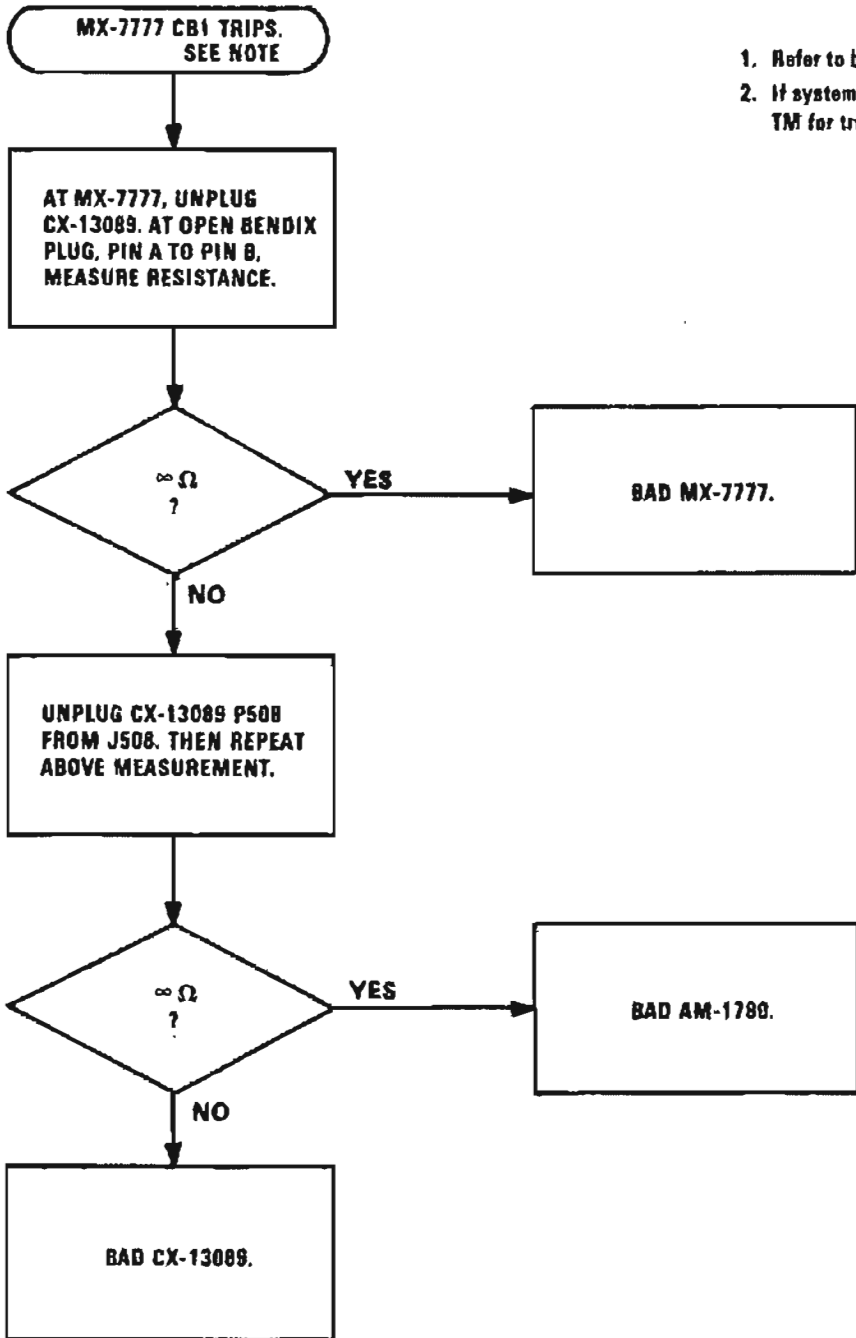
d. *How to Use a Flow Chart.* After selecting a flow chart, as indicated in the equipment performance check, proceed as follows:

- (1) Do the actions described in the first rectangle.
- (2) Answer the YES or NO question asked in the diamond that follows the first rectangle.
- (3) Go to the next step as directed by the answer to the YES/NO question.
- (4) Do additional steps as required and directed until the bad item of equipment is found and then follow the repair instructions presented in that box.
- (5) Repeat the operational check, or portion of it, after each repair is completed.

NOTE

Troubleshooting flow charts pertain to the AN/VIC-1 only, per the MAC. For application with radios refer to the appropriate TM.

5-9. Troubleshooting Flow Charts



NOTE:

1. Refer to block diagram ①, page 5-9.
2. If system includes radios, refer to the radio TM for troubleshooting procedures.

EL2DT031

Figure 5-3. Troubleshooting intercom input power, adverse short.

5-9. Troubleshooting Flow Charts - Continued

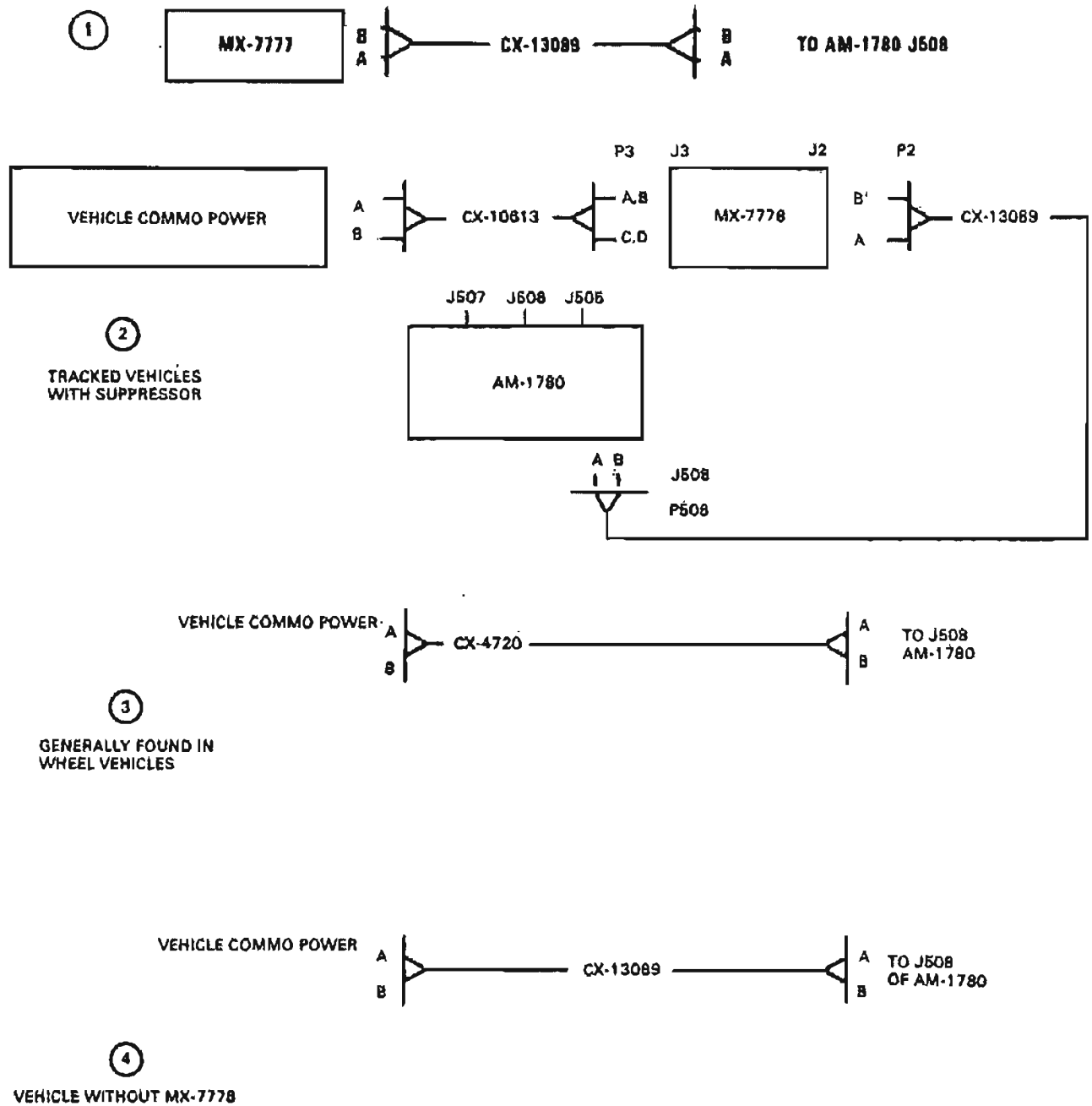
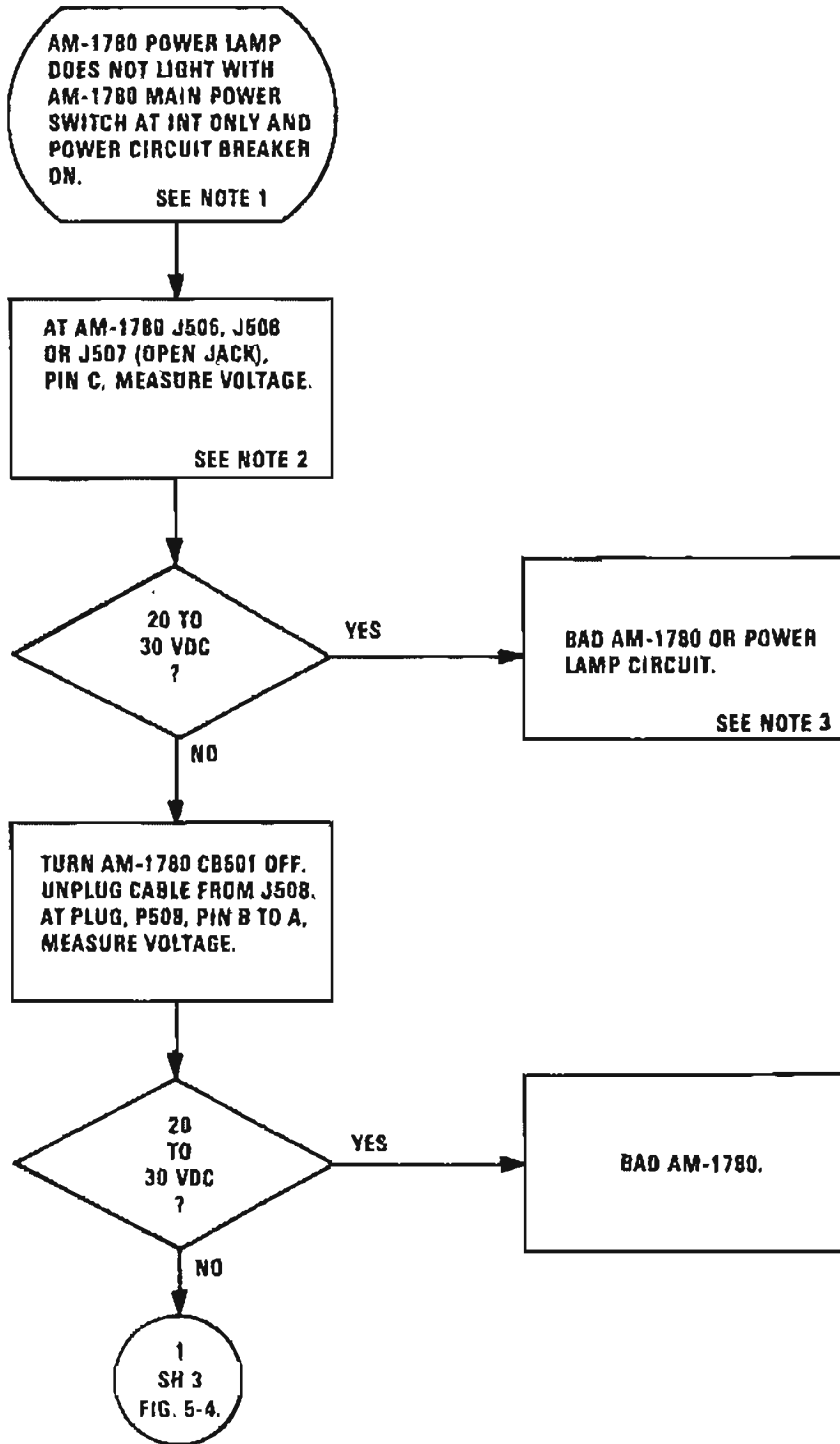


Figure 5-4. Troubleshooting intercom block diagram (Sheet 1 of 3).

5-9. Troubleshooting Flow Charts – Continued



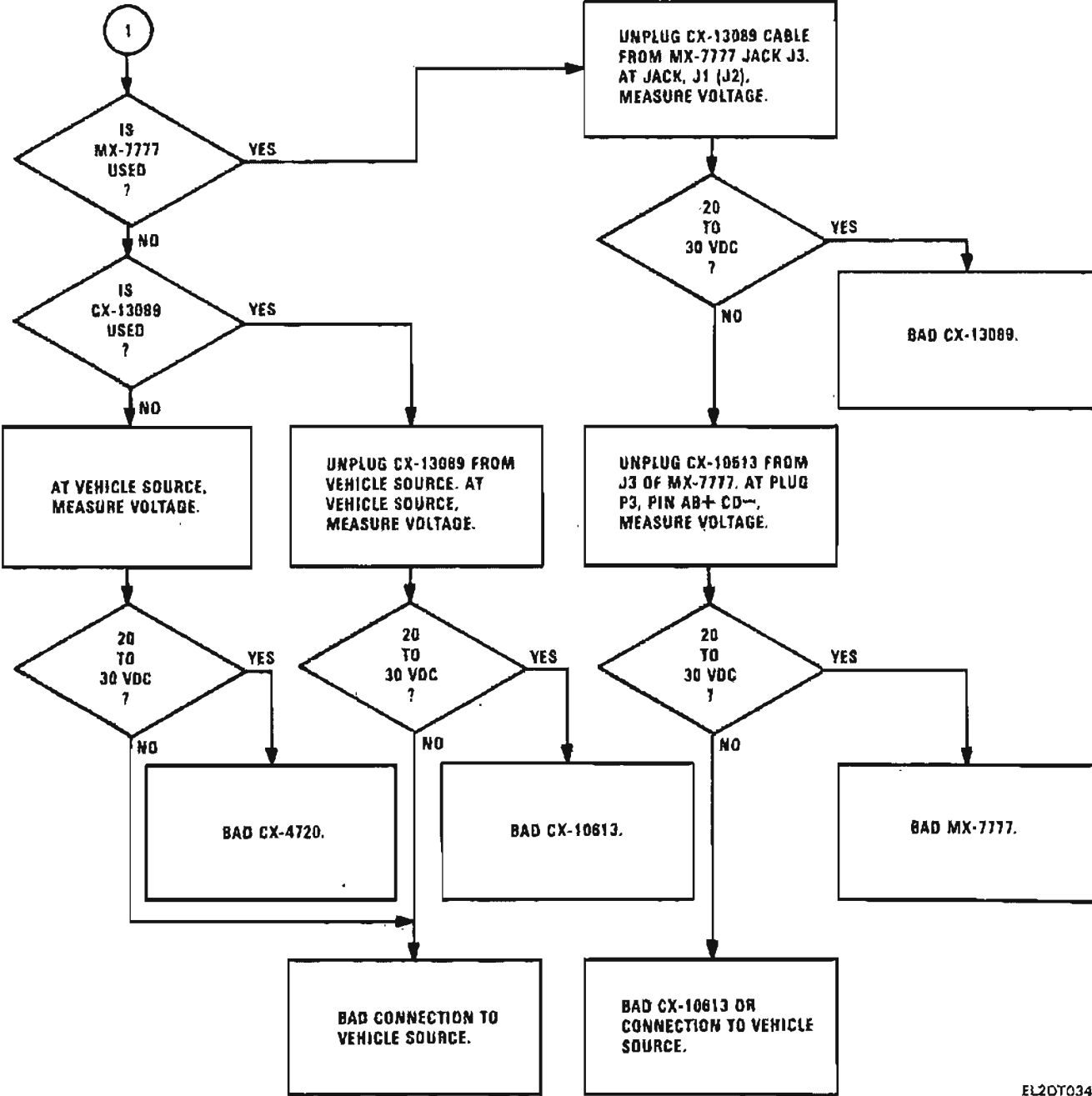
NOTES:

1. Refer to block diagrams ②③④.
2. If jacks are filled, remove one plug to make test then replace it.
3. Fix or replace and return to operational check at this time.

EL2DT033

Figure 5-4. Troubleshooting intercom input power, adverse open (Sheet 2 of 3).

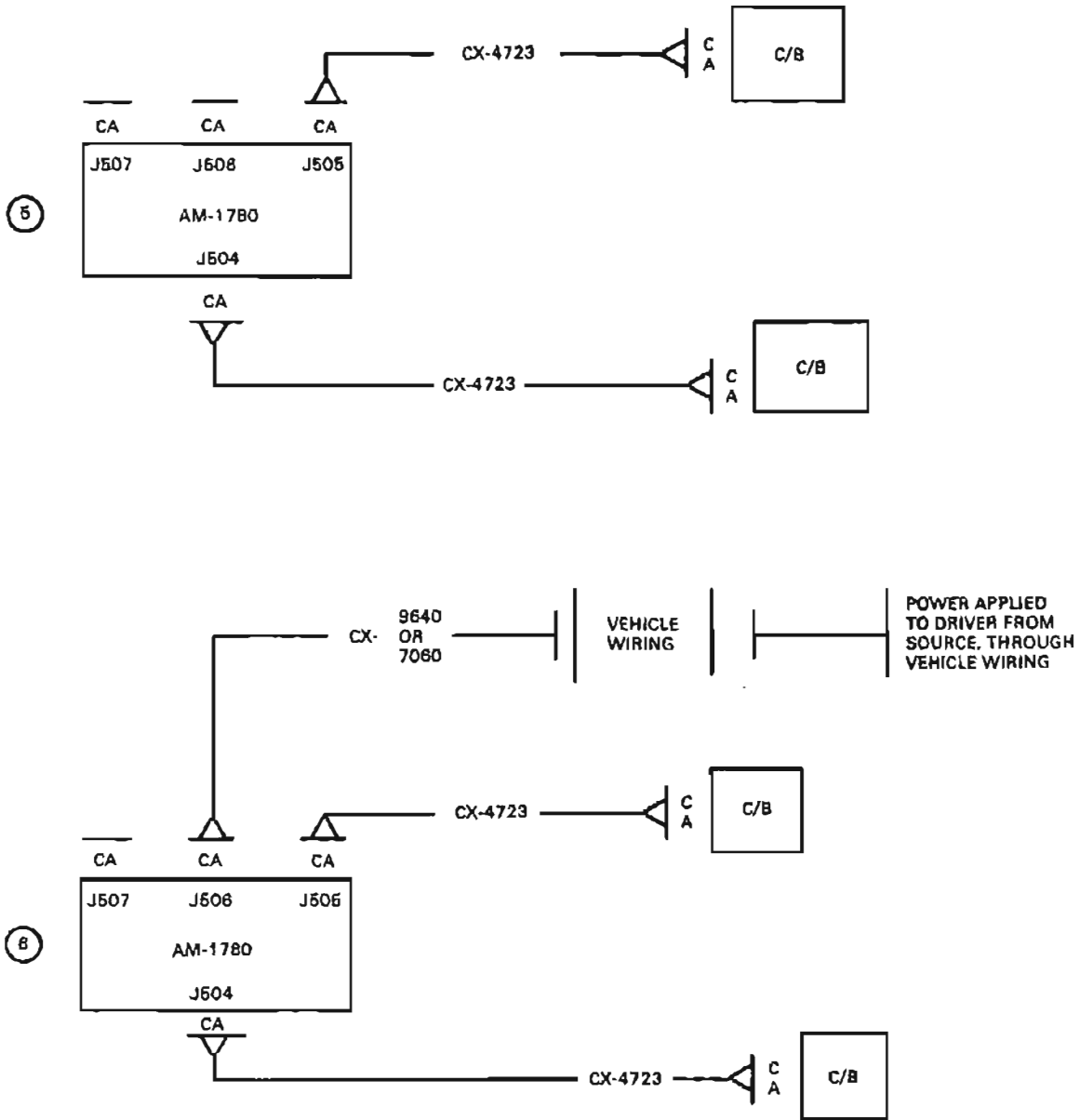
5-9. Troubleshooting Flow Charts - Continued



EL20T034

Figure 5-4. Troubleshooting intercom input power, adverse open (Sheet 3 of 3).

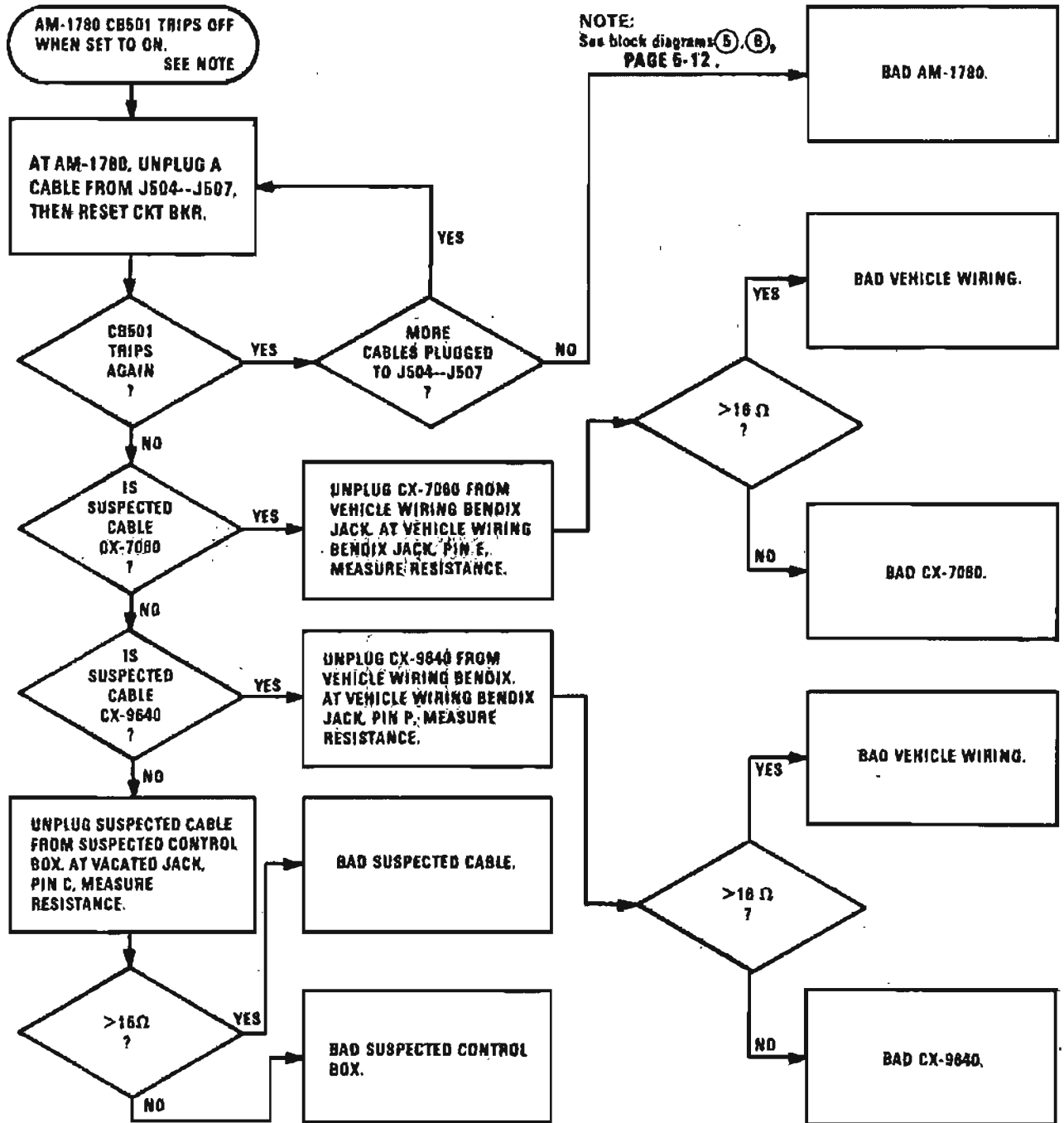
5-9. Troubleshooting Flow Charts – Continued



EL2DT035

Figure 5-5. Troubleshooting intercom power distribution, block diagram (Sheet 1 of 2).

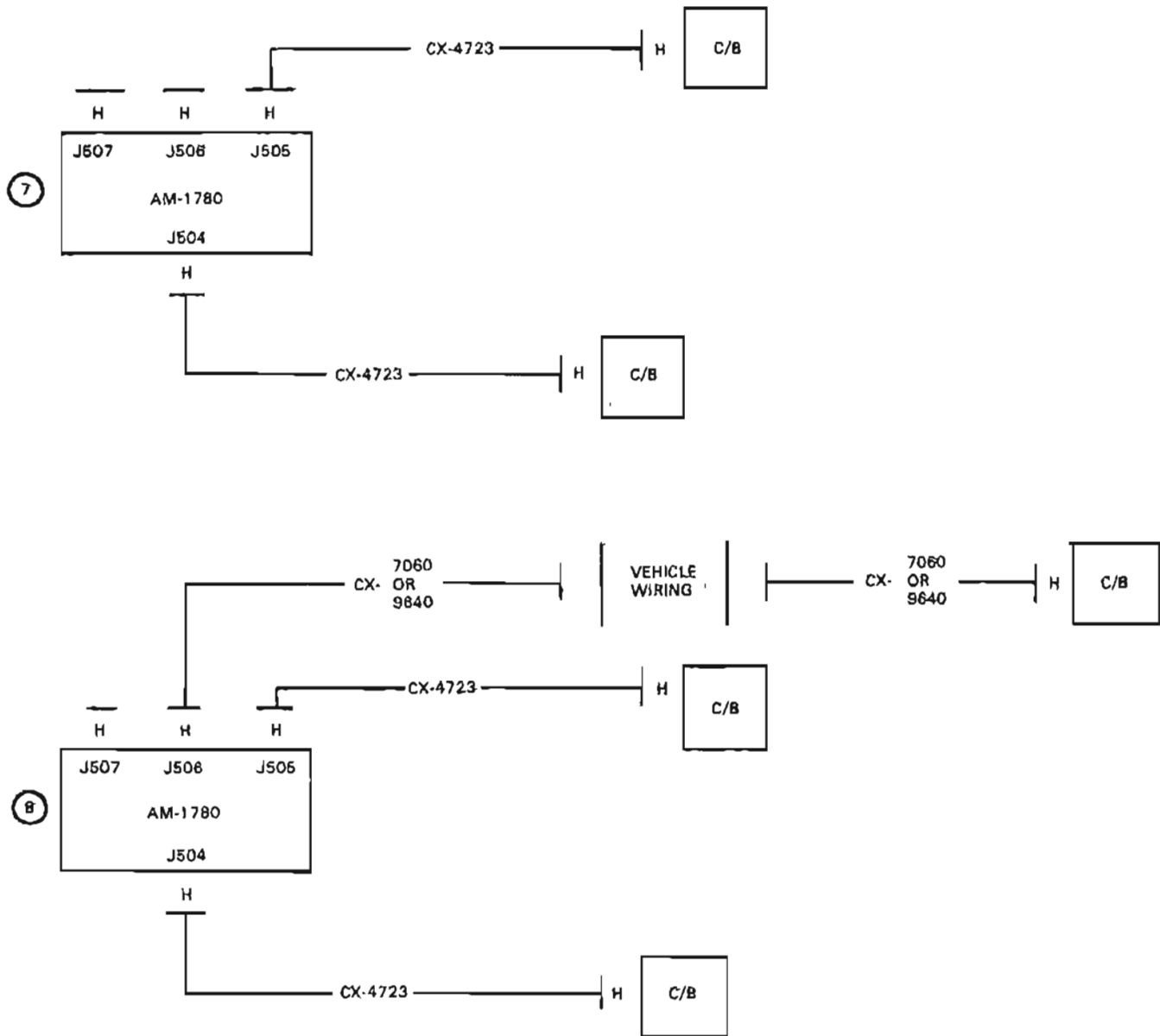
5-9. Troubleshooting Flow Charts – Continued



EL2DT038

Figure 5-5. Troubleshooting intercom power distribution (Sheet 2 of 2).

5-9. Troubleshooting Flow Charts - Continued



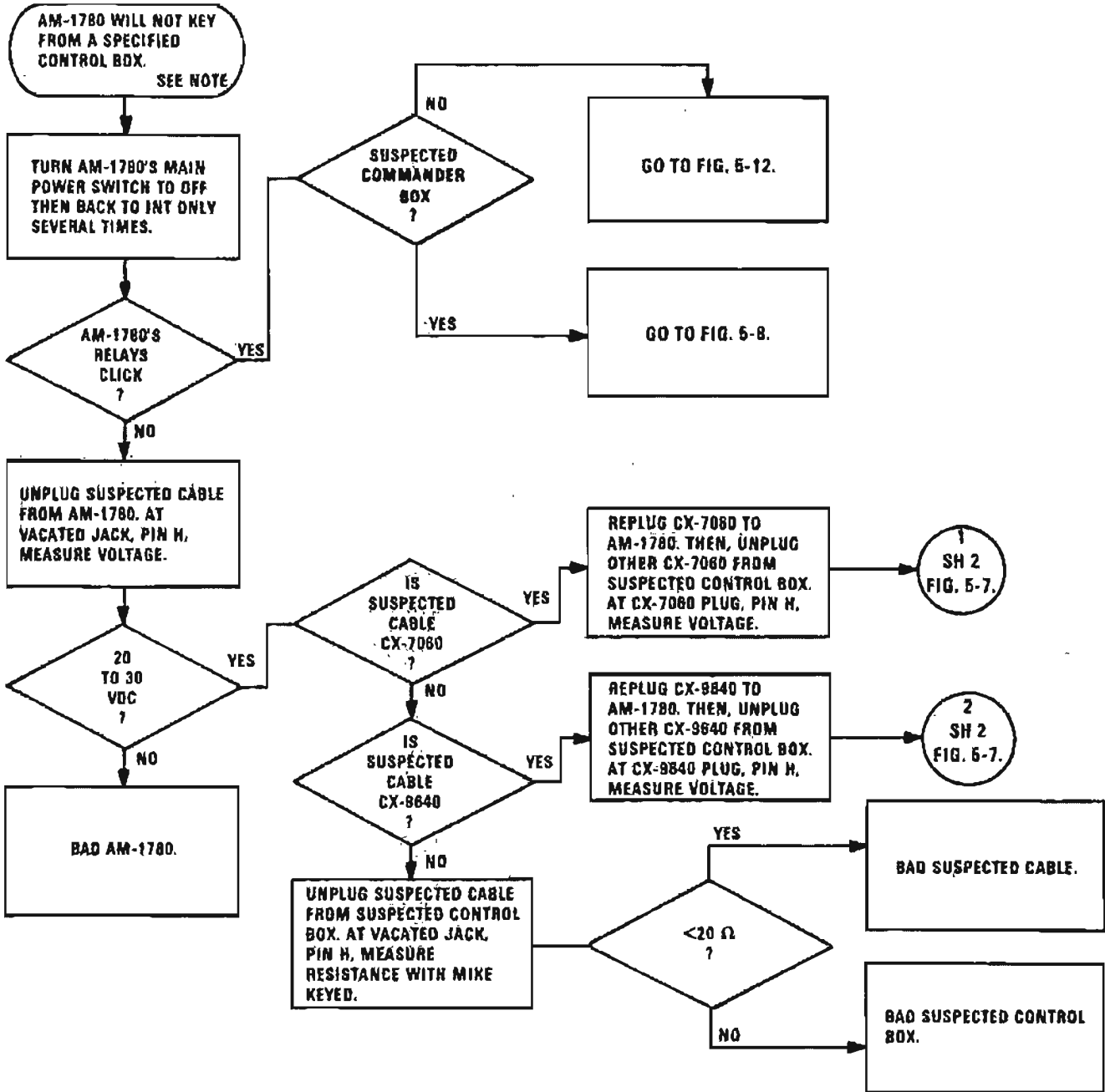
EL2DT037

Figure 5-6. Troubleshooting intercom keying circuits, block diagram.

5-9. Troubleshooting Flow Charts - Continued

NOTE:

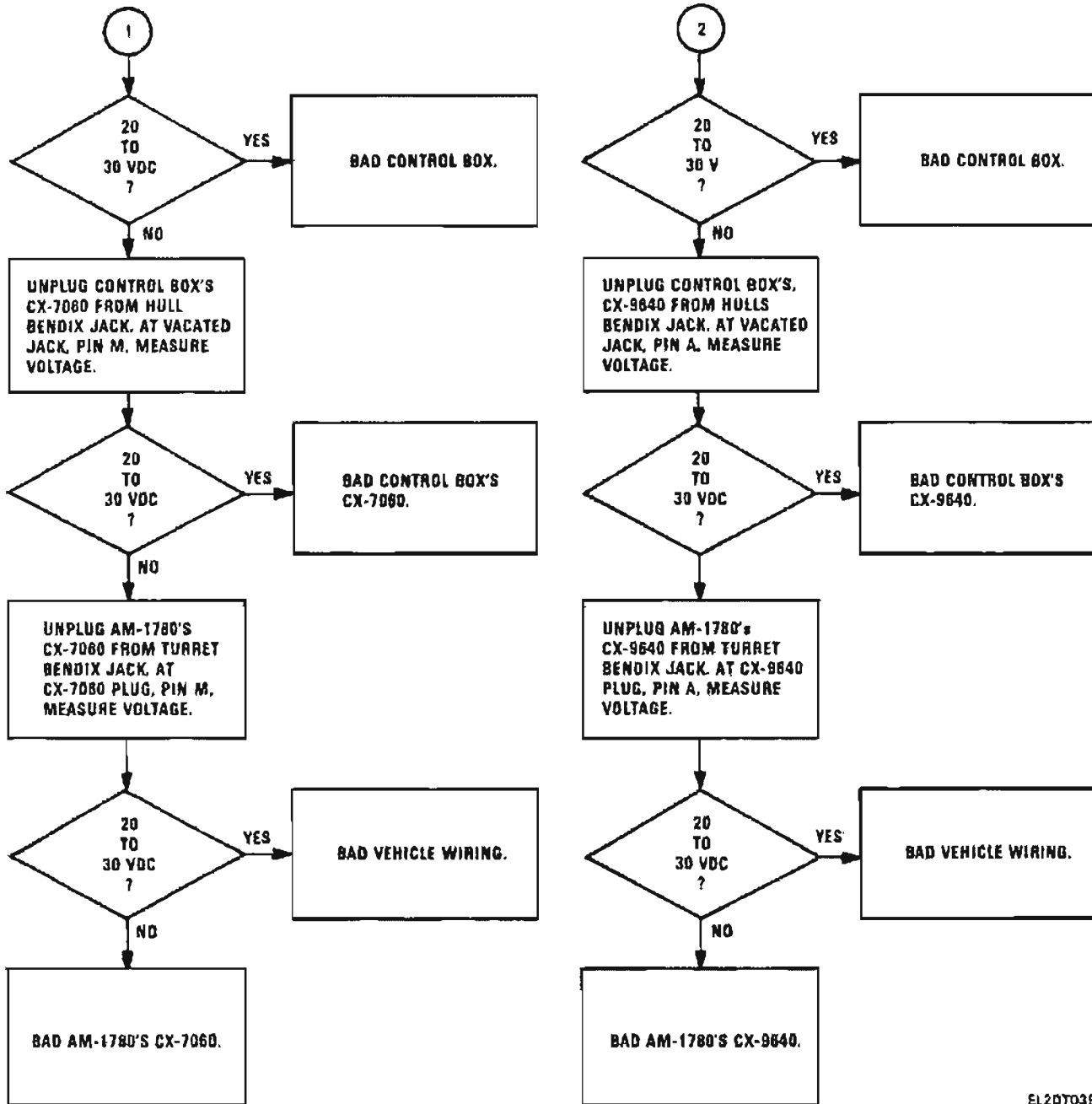
Refer to block diagrams 7, 8



EL2DT038

Figure 5-7. Troubleshooting intercom keying circuits, adverse open (Sheet 1 of 2).

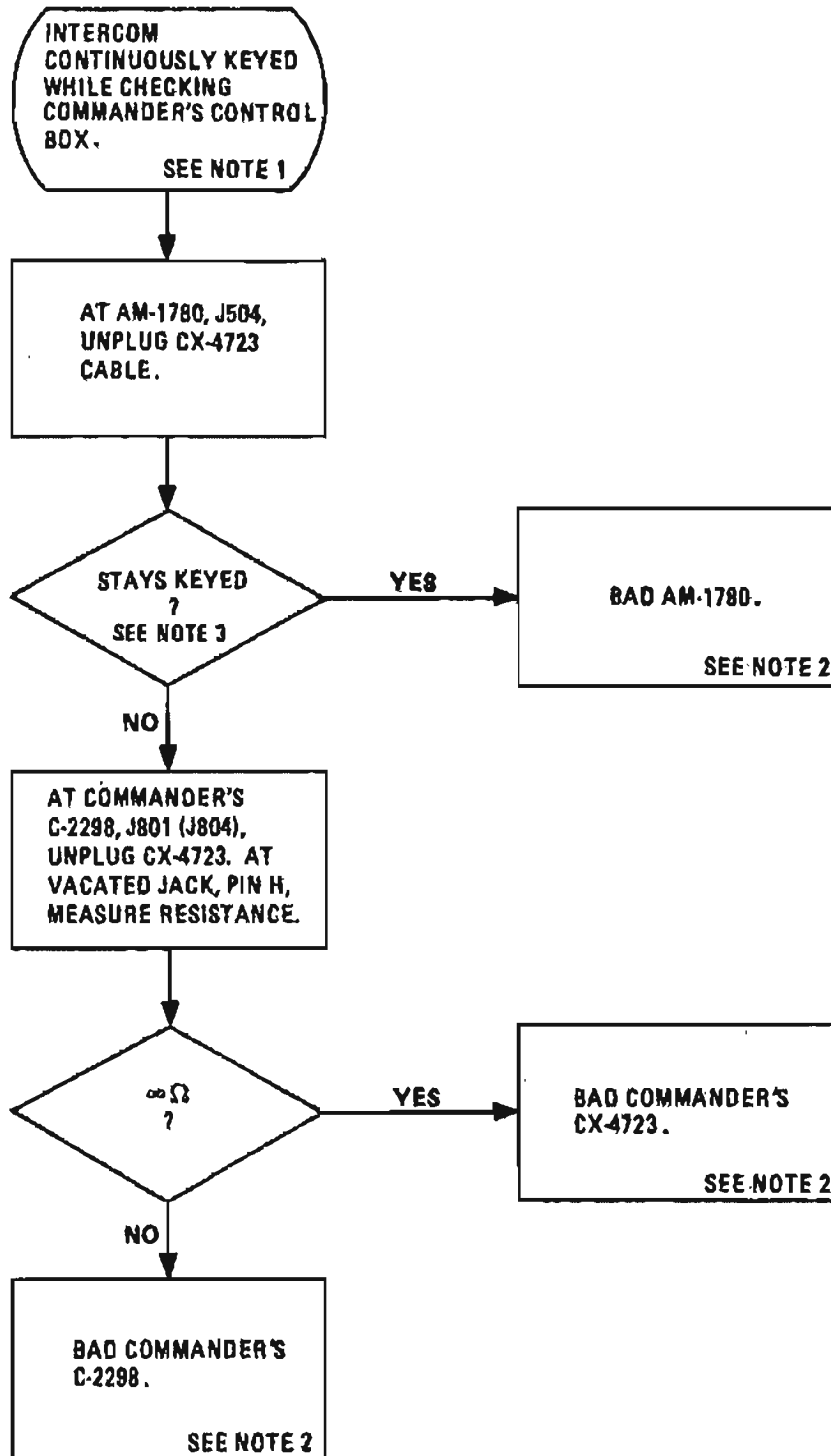
5-9. Troubleshooting Flow Charts – Continued



EL2DT038

Figure 5-7. Troubleshooting intercom keying circuits, adverse open (Sheet 2 of 2).

5-9. Troubleshooting Flow Charts – Continued



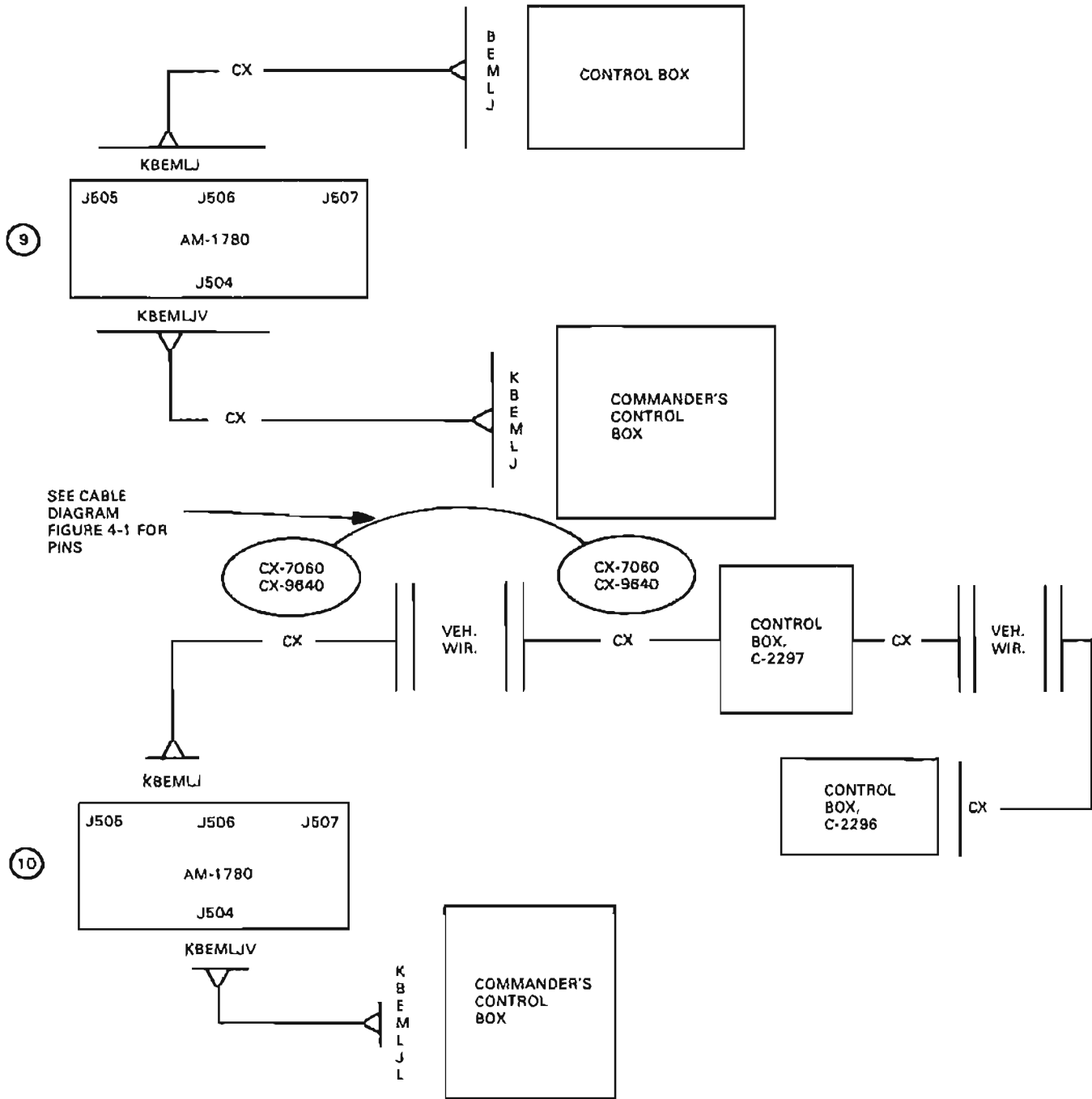
NOTES:

1. Refer to block diagrams ⑦ ⑧, page 5-14.
2. Fix or replace and return to operational check at this time.
3. Turn AM-1780 Main Power Switch to OFF if relay clicks. AM-1780 continuous key if relay does not click AM-1780 not keyed.

EL2DT040

Figure 5-8. Troubleshooting intercom keying circuits, adverse short

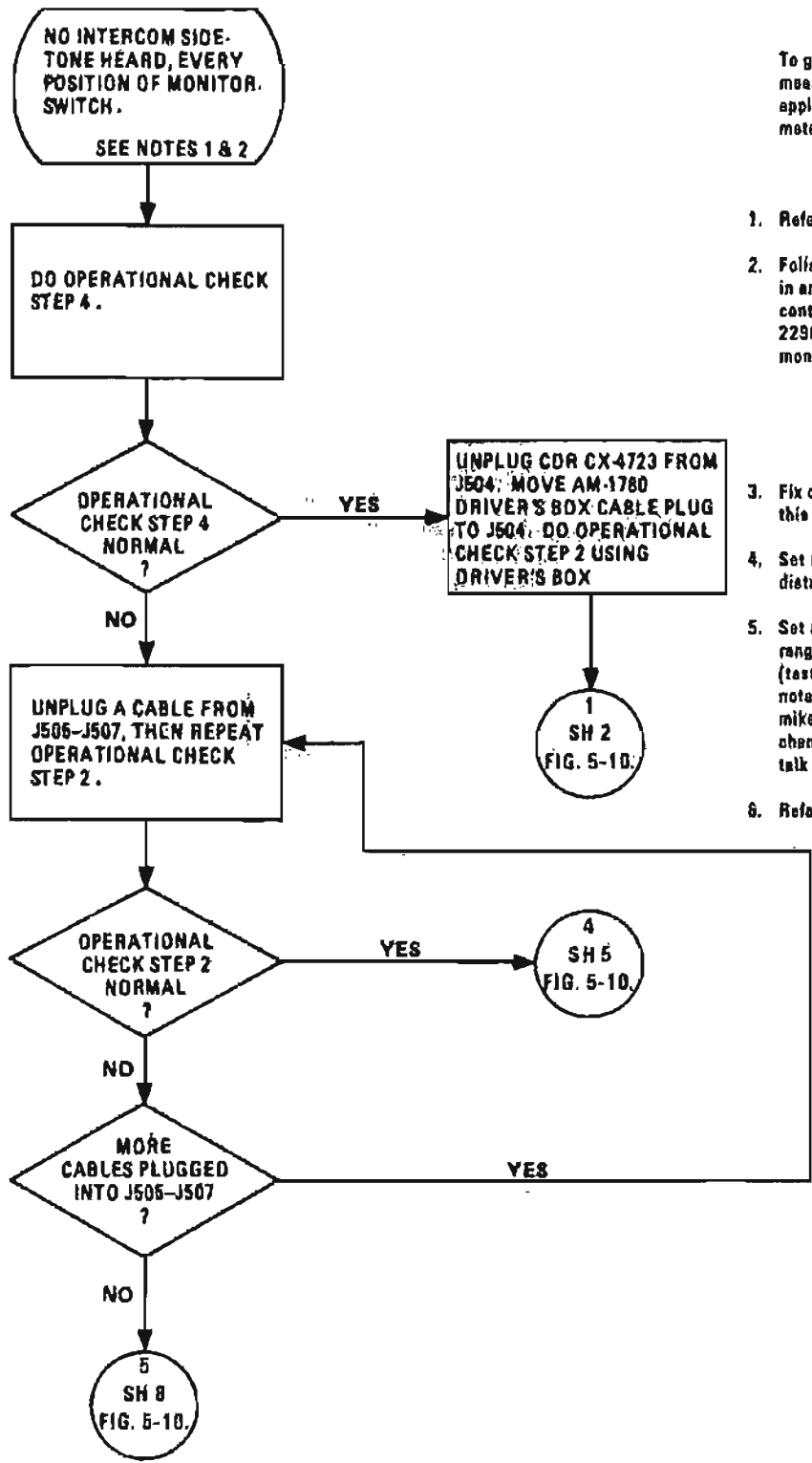
5-9. Troubleshooting Flow Charts – Continued



EL20T041

Figure 5-9. Troubleshooting intercom talk/listen circuits, block diagram.

5-9. Troubleshooting Flow Charts - Continued



CAUTION

To guard against equipment damage when making measurements or circuit disturb with power applied, make sure proper pin is selected and meter probes do not touch together.

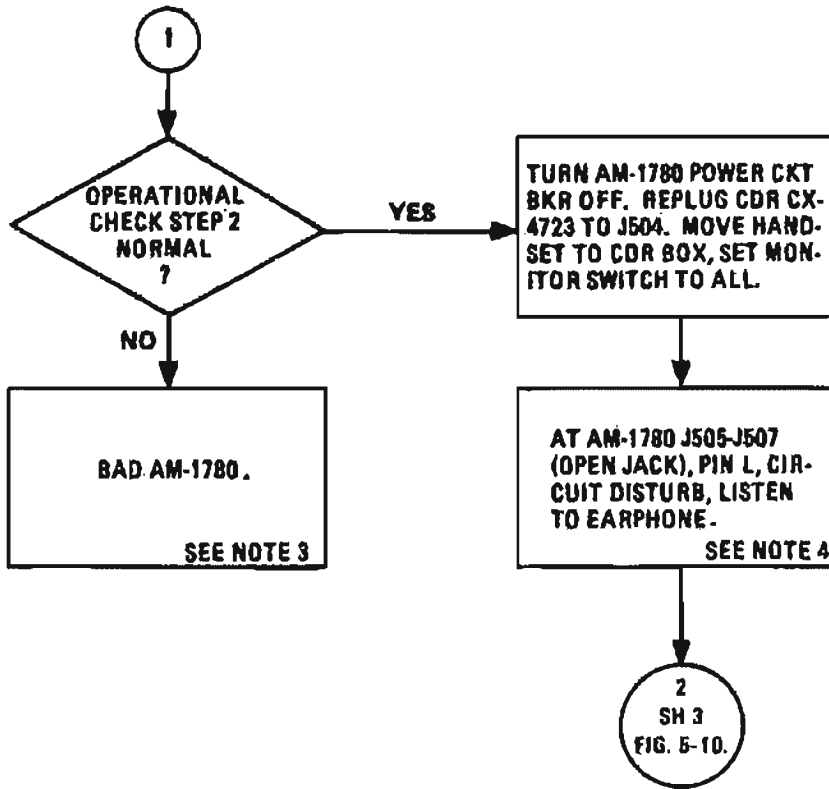
NOTES:

1. Refer to block diagrams 9 10
2. Follow this flow chart in sequence for no sidetone in any position of monitor switch on commander's control box. For other control boxes (except G-2298) with no sidetone in any position of the monitor switch, enter flow chart at point
3. Fix or replace and return to operational check at this time.
4. Set up multimeter as an ohmmeter to do circuit disturb, RX10.
5. Set up multimeter as an AC voltmeter (lowest range). Connect meter probes between signal line (test point) and chassis ground, then key mike and note reading. Next, sharply whistle into keyed mike and eye if the meter reading changes. Any change in AC voltage indicates the presence of the talk signal. (Reading is < 1 volt.)
6. Refer to higher maintenance level.

5 SH 8 FIG. 5-10.

Figure 5-10. Troubleshooting intercom talk/listen circuits, adverse for all positions of MONITOR switch (Sheet 1 of 26).

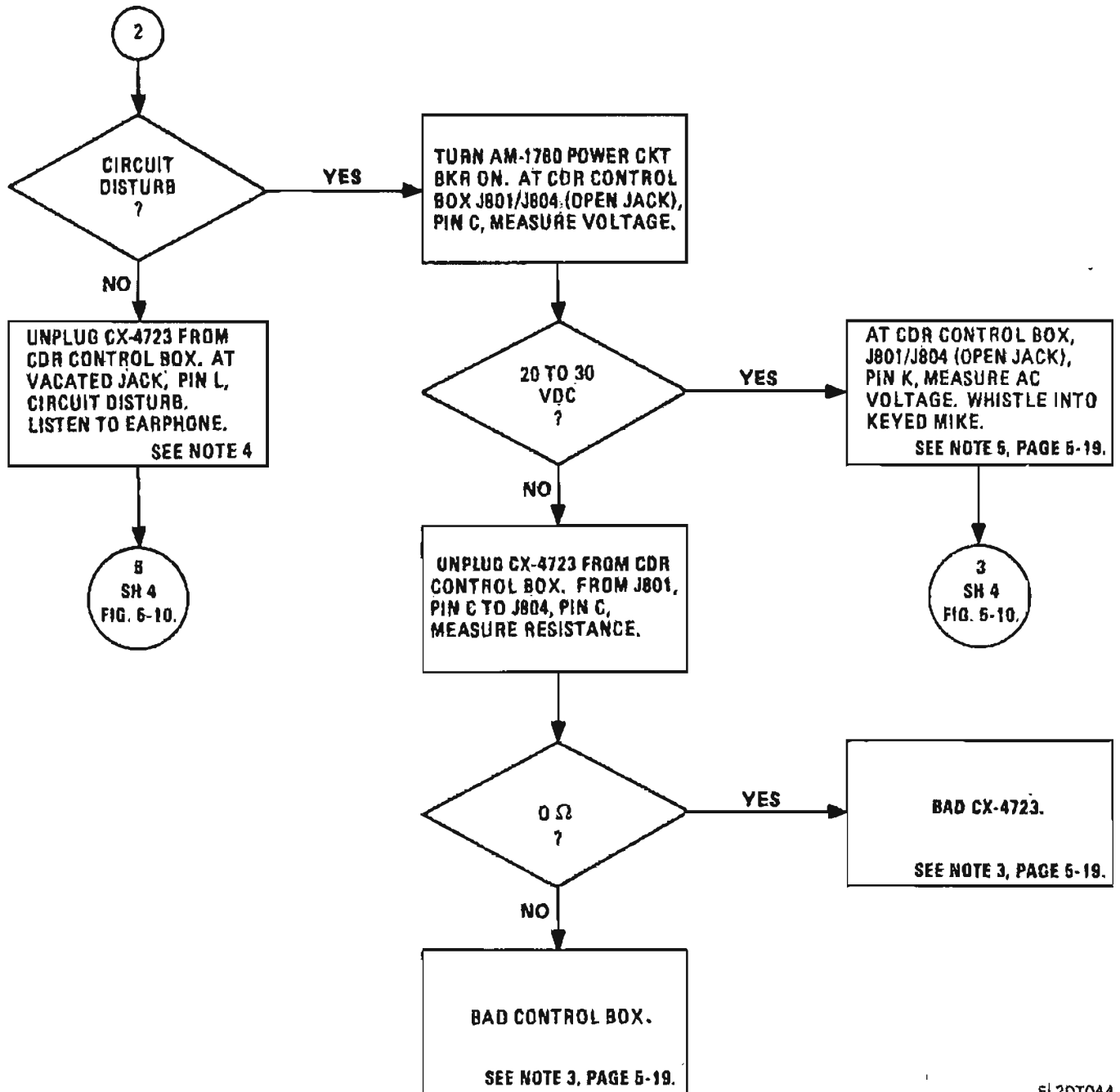
5-9. Troubleshooting Flow Charts - Continued



EL2DT0-43

Figure 5-10. Troubleshooting intercom talk/listen circuits, adverse for all positions of MONITOR switch (Sheet 2 of 26).

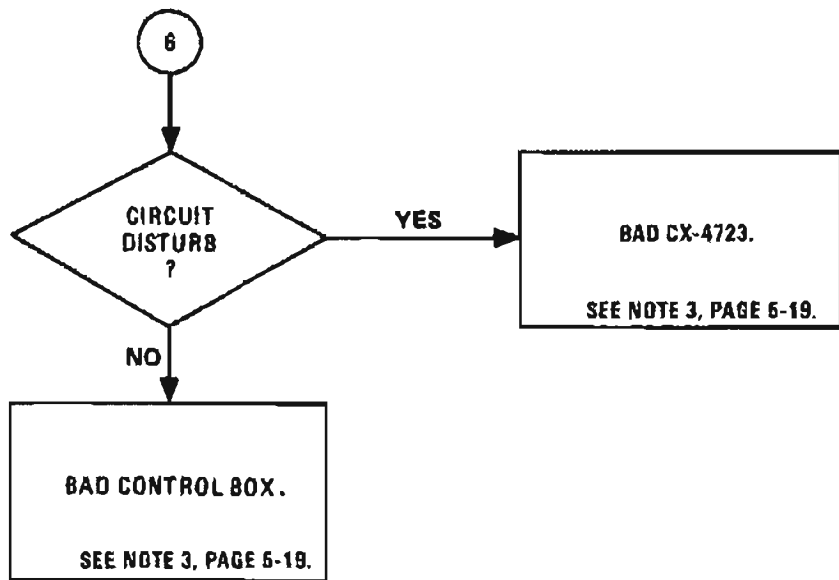
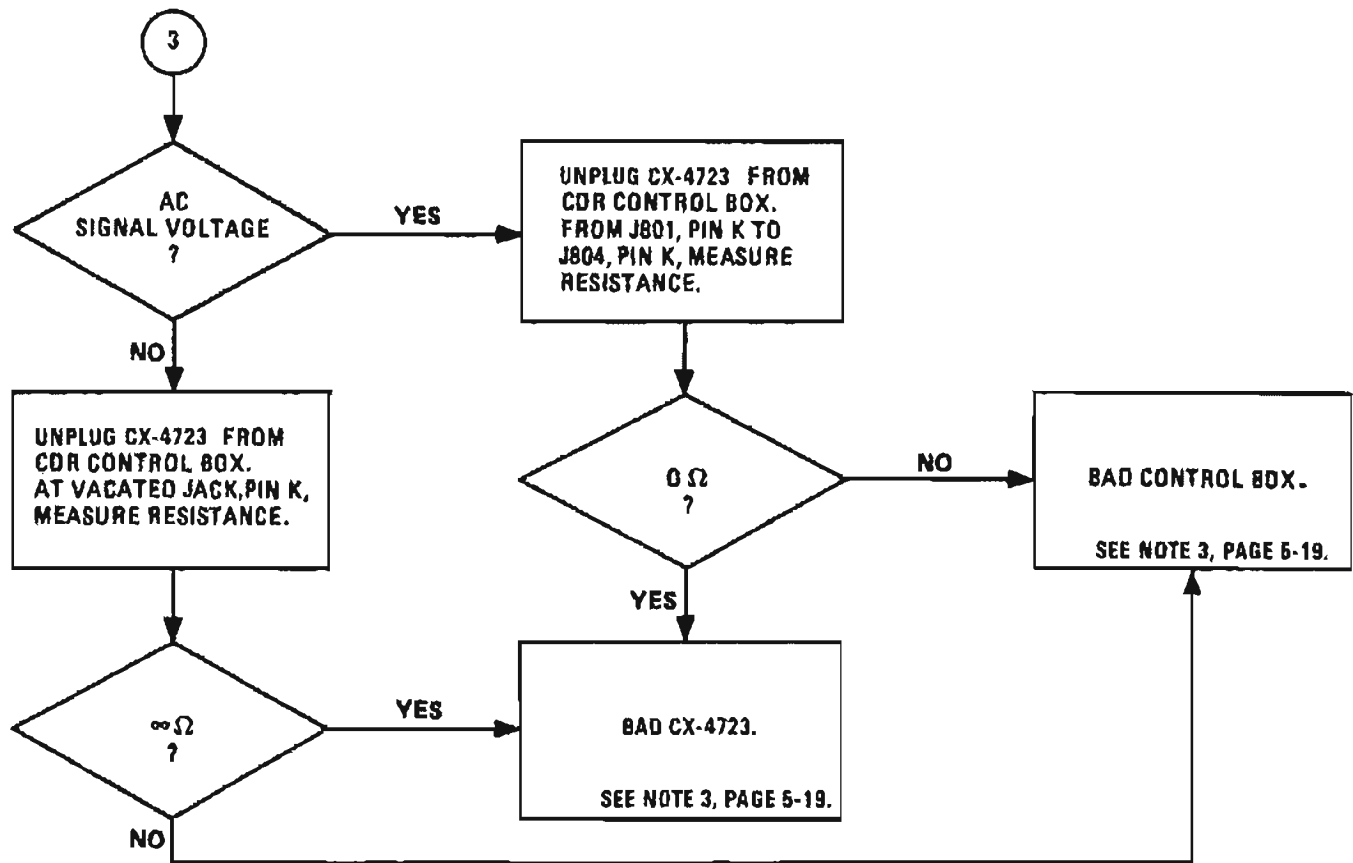
5-9. Troubleshooting Flow Charts – Continued



EL2DT044

Figure 5-10. Troubleshooting intercom talk/listen circuits, adverse for all positions of MONITOR switch (Sheet 3 of 26).

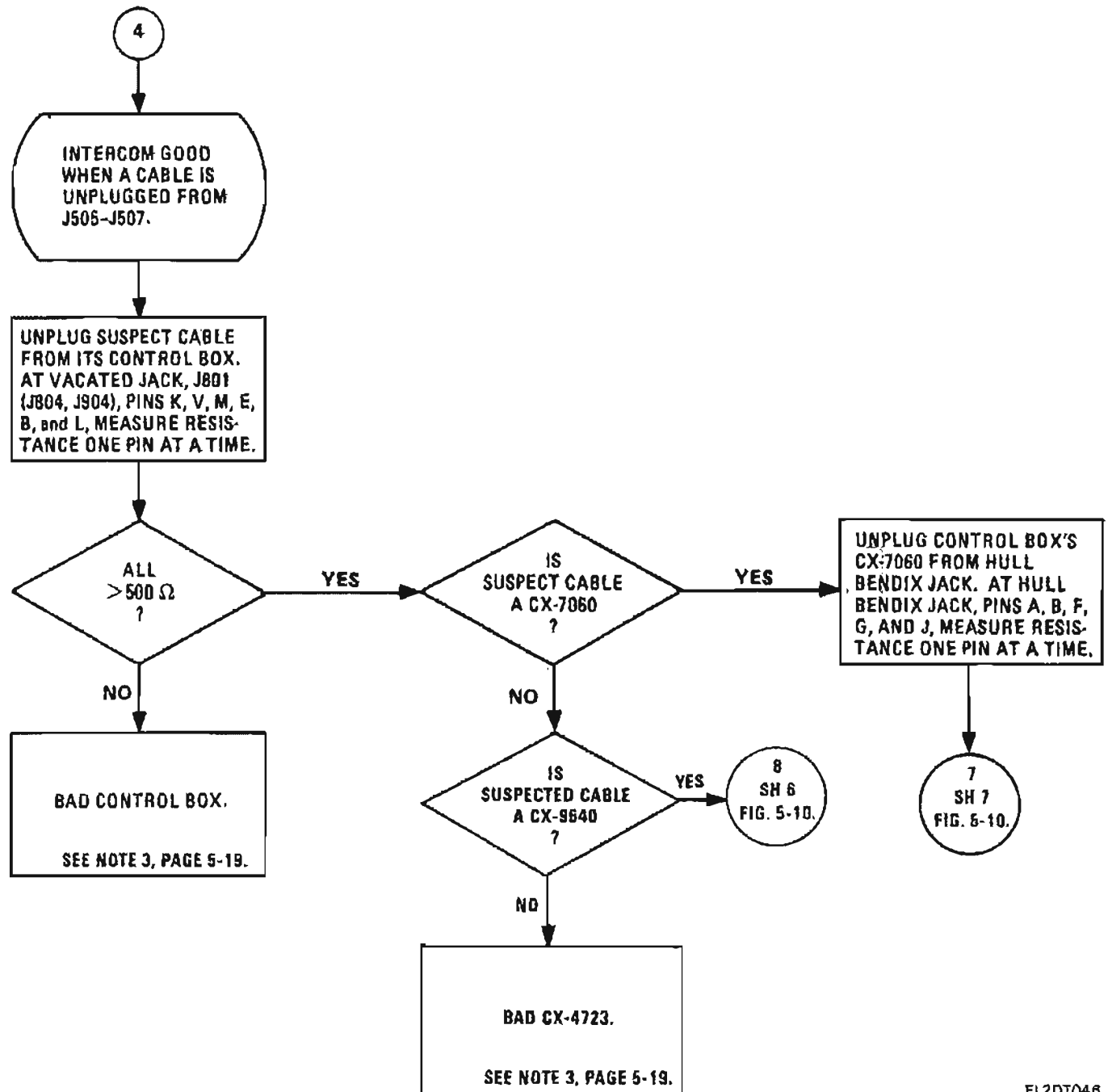
5-9. Troubleshooting Flow Charts – Continued



EL20T045

Figure 5-10. Troubleshooting intercom talk/listen circuits, adverse for all positions of MONITOR switch (Sheet 4 of 26).

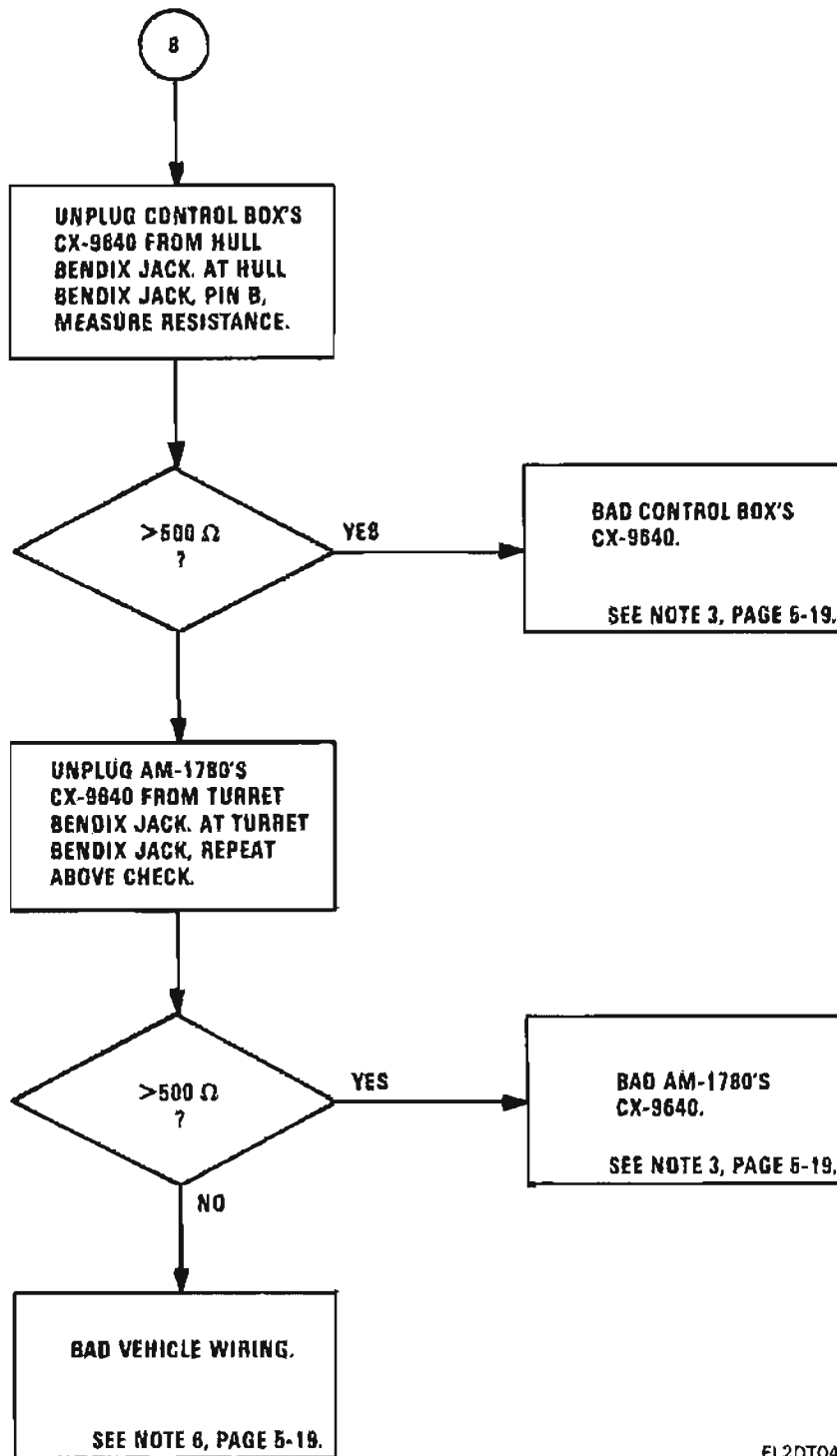
5-9. Troubleshooting Flow Charts – Continued



EL2DT046

Figure 5-10. Troubleshooting intercom talk/listen circuits, adverse for all positions of MONITOR switch (Sheet 5 of 26).

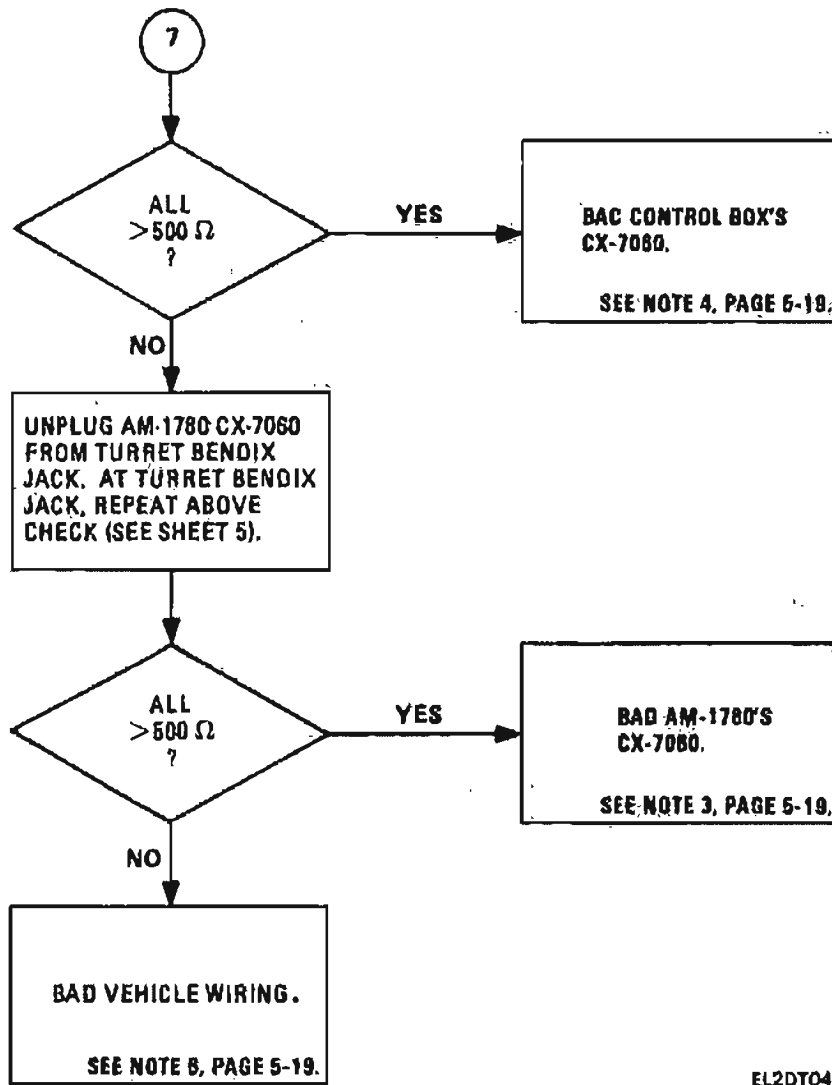
5-9. Troubleshooting Flow Charts – Continued



EL2DT047

Figure 5-10. Troubleshooting intercom talk/listen circuits, adverse for all positions of MONITOR switch (Sheet 6 of 26).

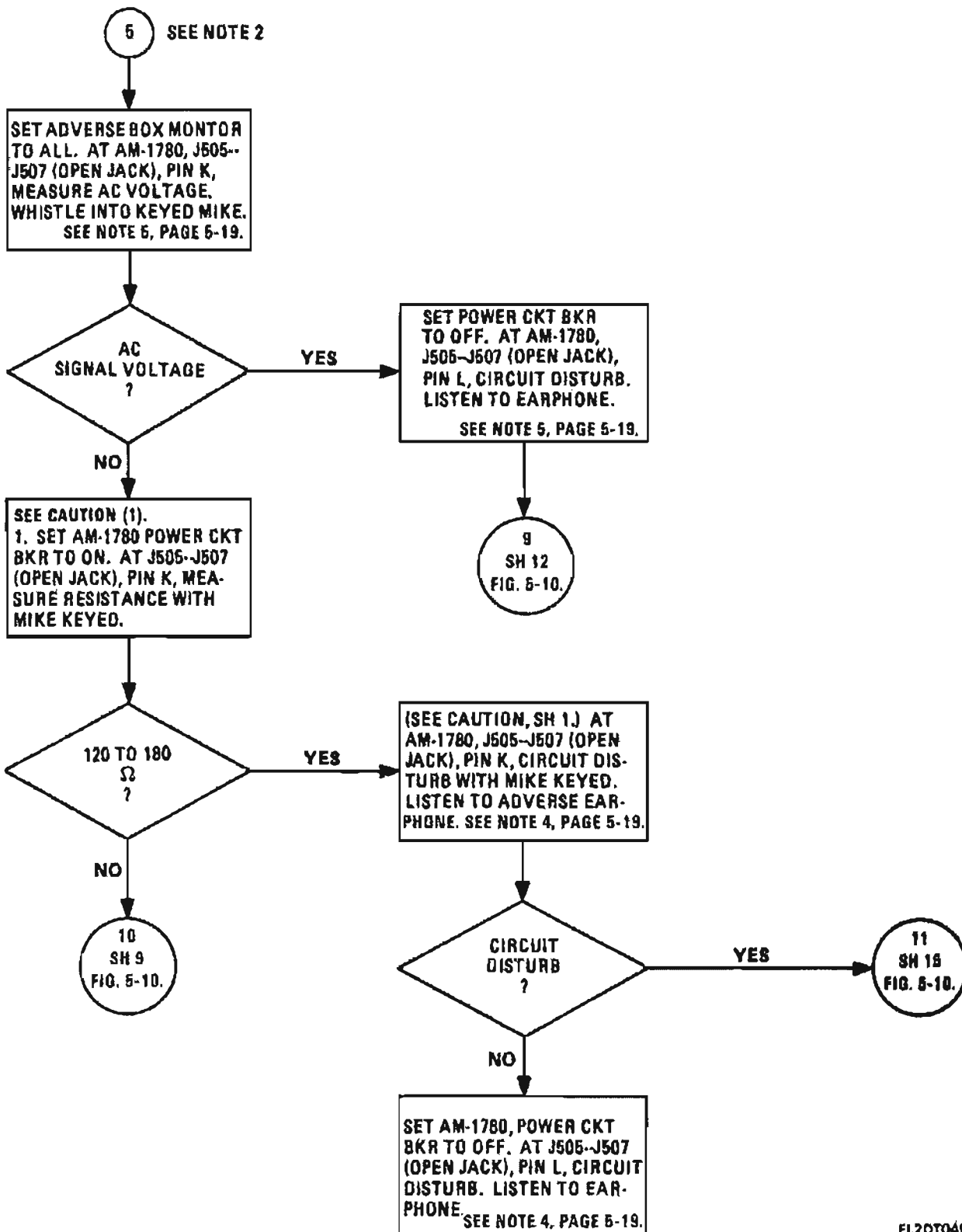
5-9. Troubleshooting Flow Charts - Continued



EL2DT04B

Figure 5-10. Troubleshooting intercom talk/listen circuits, adverse for all positions of MONITOR switch (Sheet 7 of 26).

5-9. Troubleshooting Flow Charts - Continued



EL2DT040

Figure 5-10. Troubleshooting intercom talk/listen circuits, adverse for all positions of MONITOR switch (Sheet 8 of 28).

5-9. Troubleshooting Flow Charts – Continued

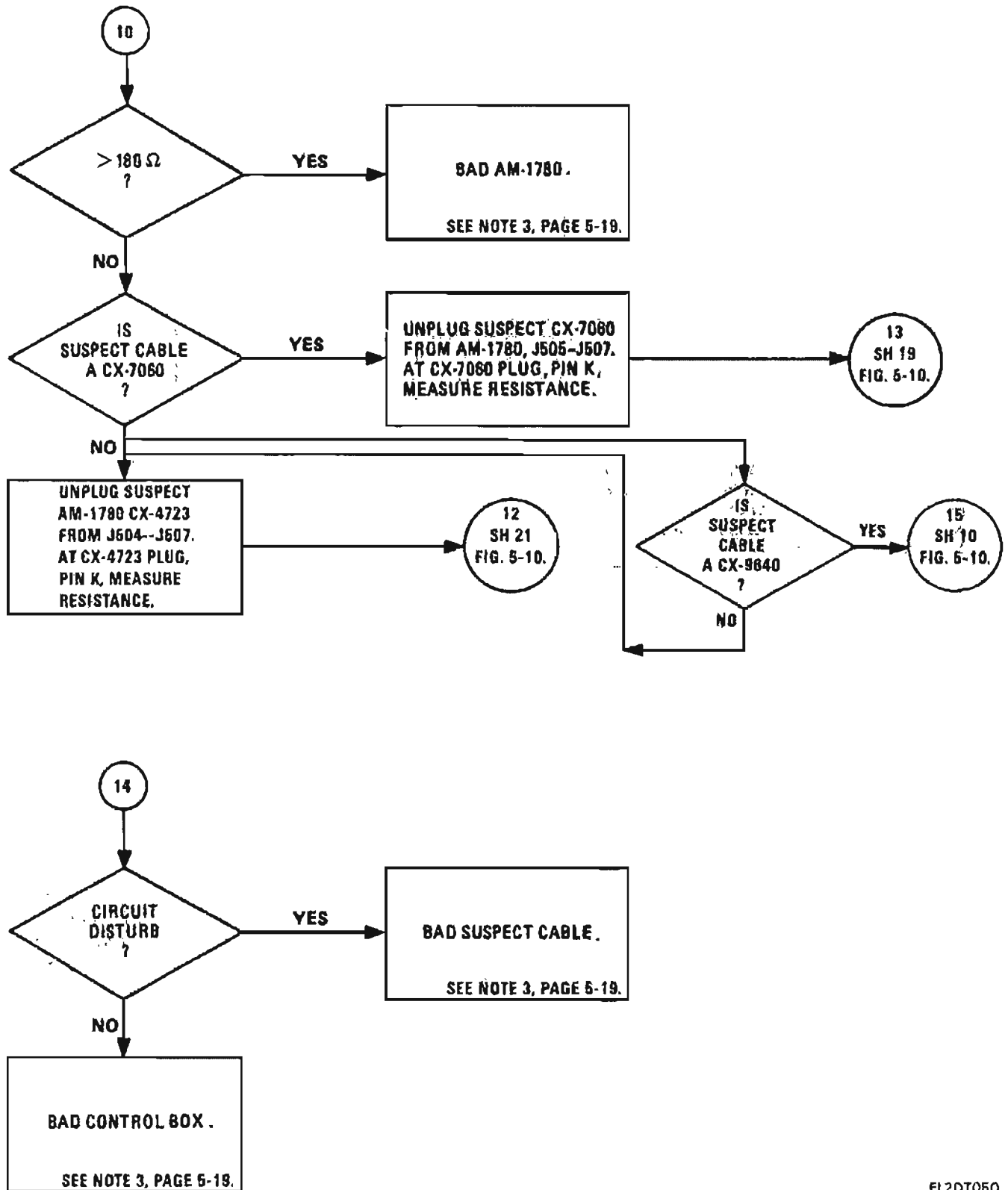
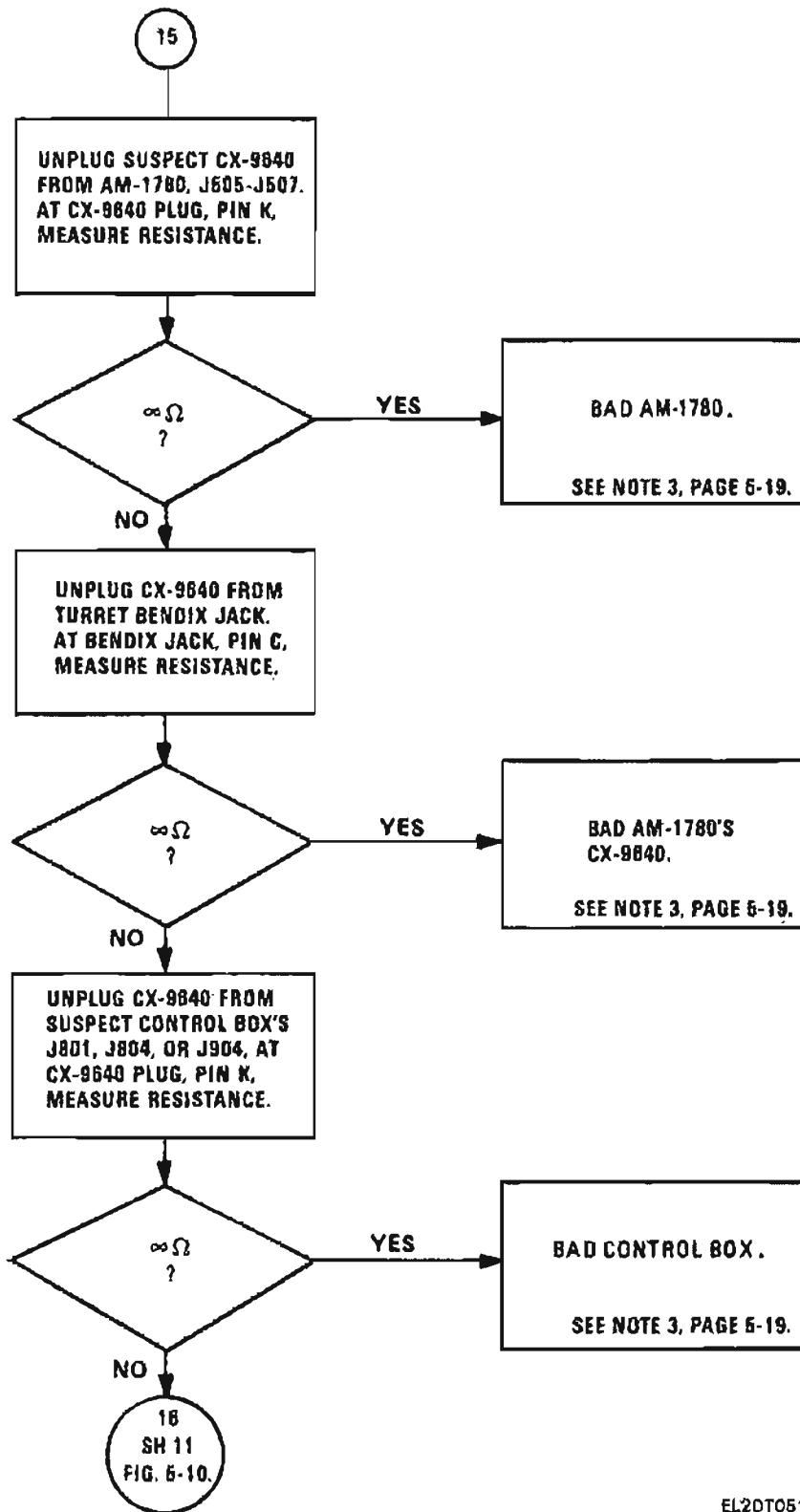


Figure 5-10. Troubleshooting intercom talk/listen circuits, adverse for all positions of MONITOR switch (Sheet 9 of 26).

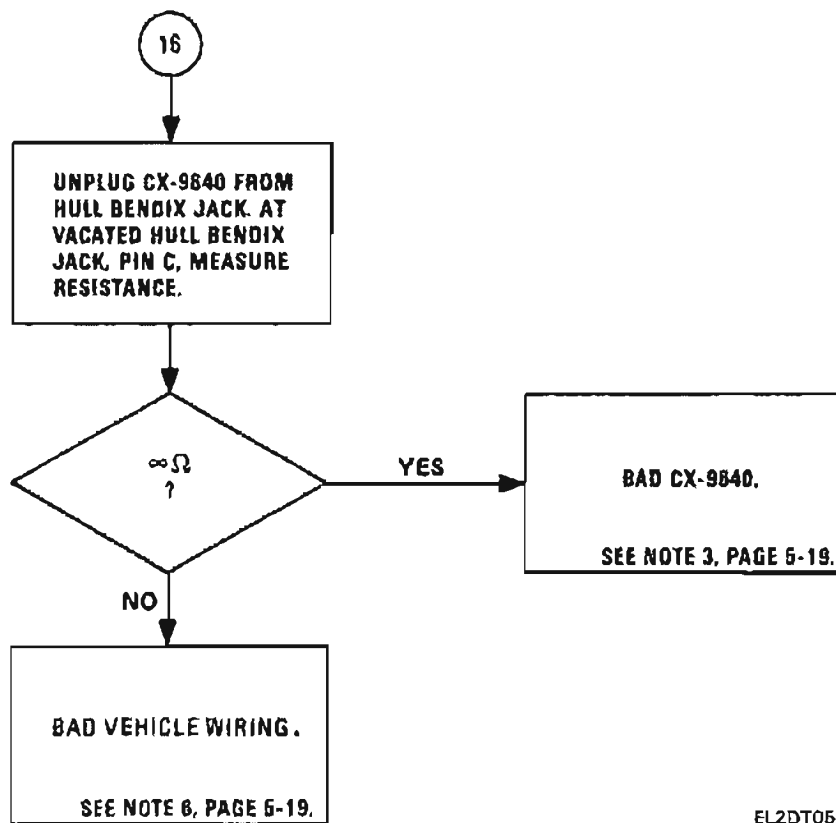
5-9. Troubleshooting Flow Charts - Continued



EL2DT051

Figure 5-10. Troubleshooting intercom talk/listen circuits, adverse for all positions of MONITOR switch (Sheet 10 of 26).

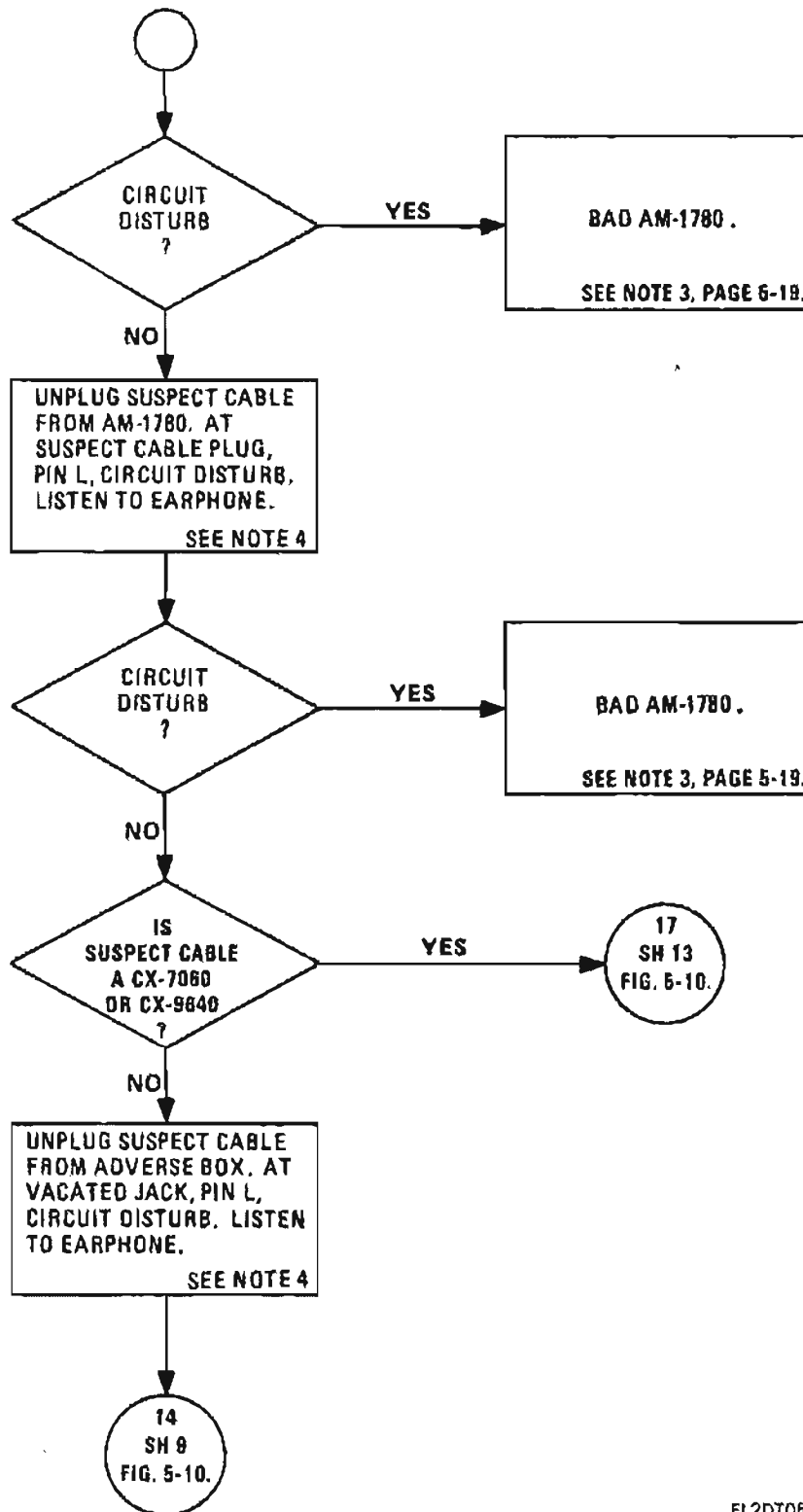
5-9. Troubleshooting Flow Charts – Continued



EL2DT052

Figure 5-10. Troubleshooting intercom talk/listen circuits, adverse for all positions of MONITOR switch (Sheet 11 of 26).

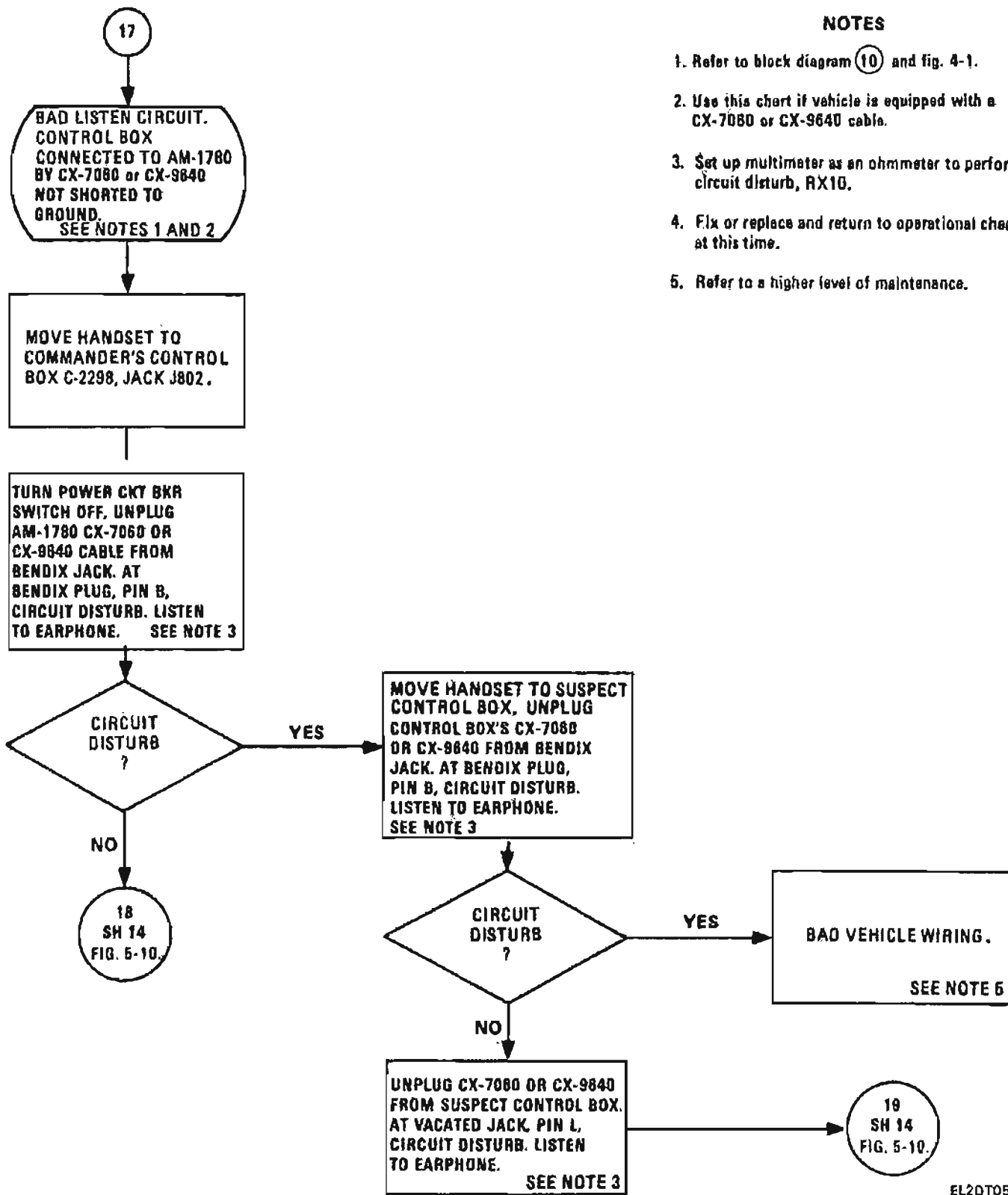
5-9. Troubleshooting Flow Charts – Continued



EL2DT053

Figure 6-10. Troubleshooting intercom talk/listen circuits, adverse for all positions of MONITOR switch (Sheet 12 of 26).

5-9. Troubleshooting Flow Charts – Continued



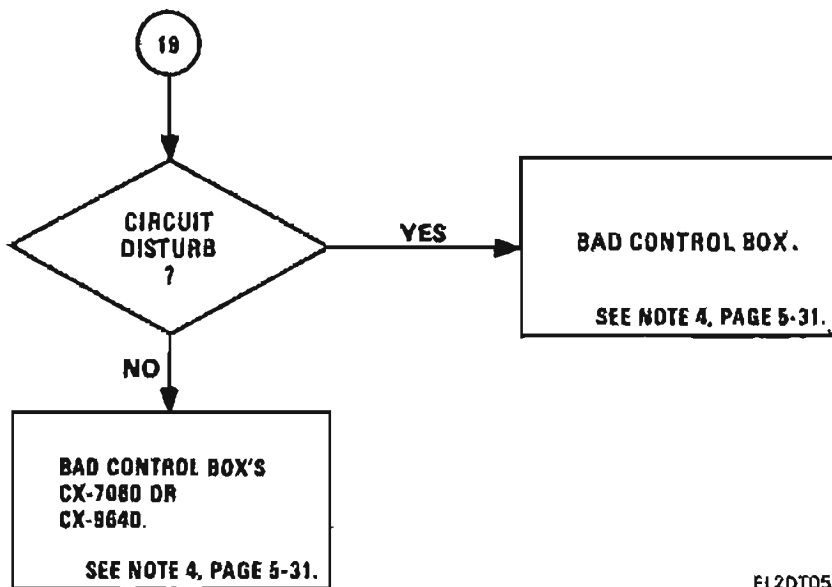
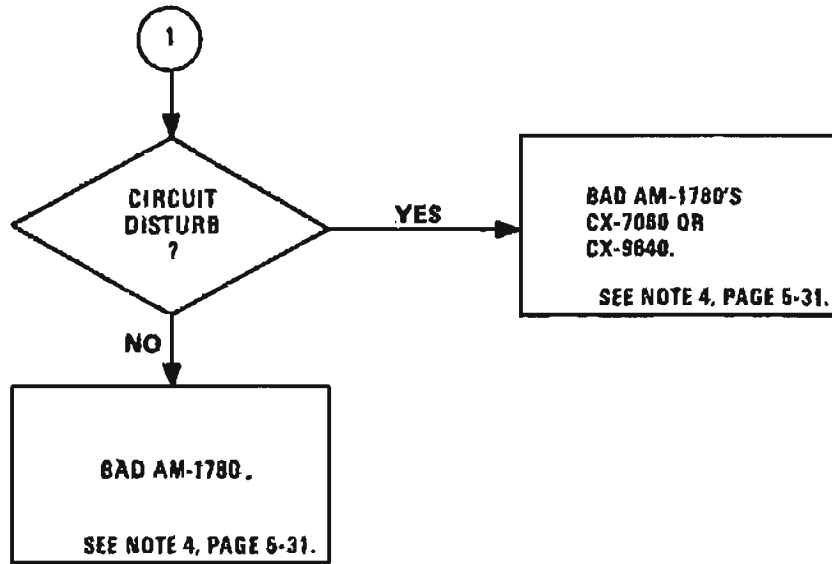
NOTES

1. Refer to block diagram (10) and fig. 4-1.
2. Use this chart if vehicle is equipped with a CX-7080 or CX-9640 cable.
3. Set up multimeter as an ohmmeter to perform circuit disturb, RX10.
4. Fix or replace and return to operational check at this time.
5. Refer to a higher level of maintenance.

EL2DT054

Figure 5-10. Troubleshooting intercom talk/listen circuits, adverse for all positions of MONITOR switch (Sheet 13 of 26).

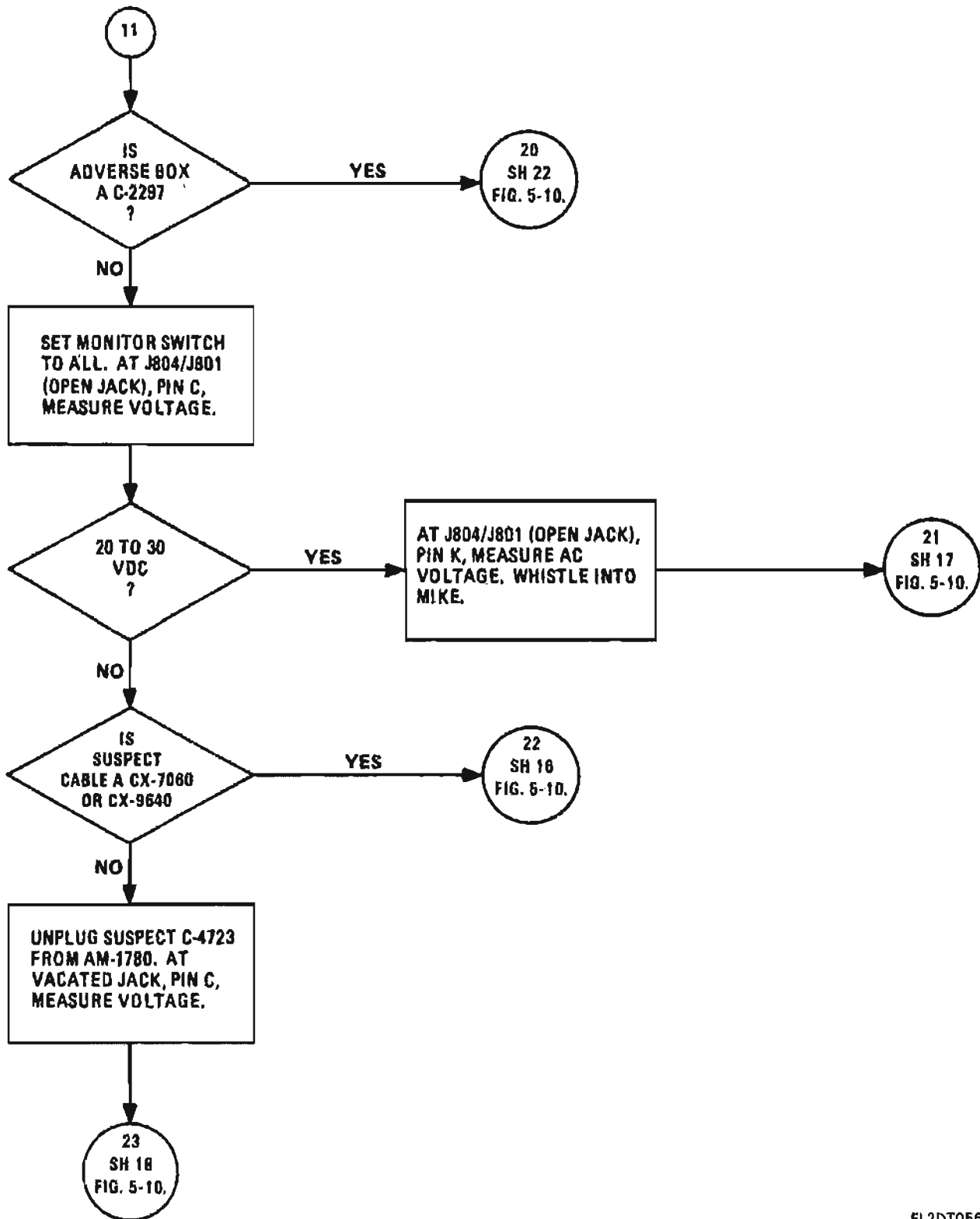
5-9. Troubleshooting Flow Charts – Continued



EL2DT055

Figure 5-10. Troubleshooting intercom talk/listen circuits, adverse for all positions of MONITOR switch (Sheet 14 of 26).

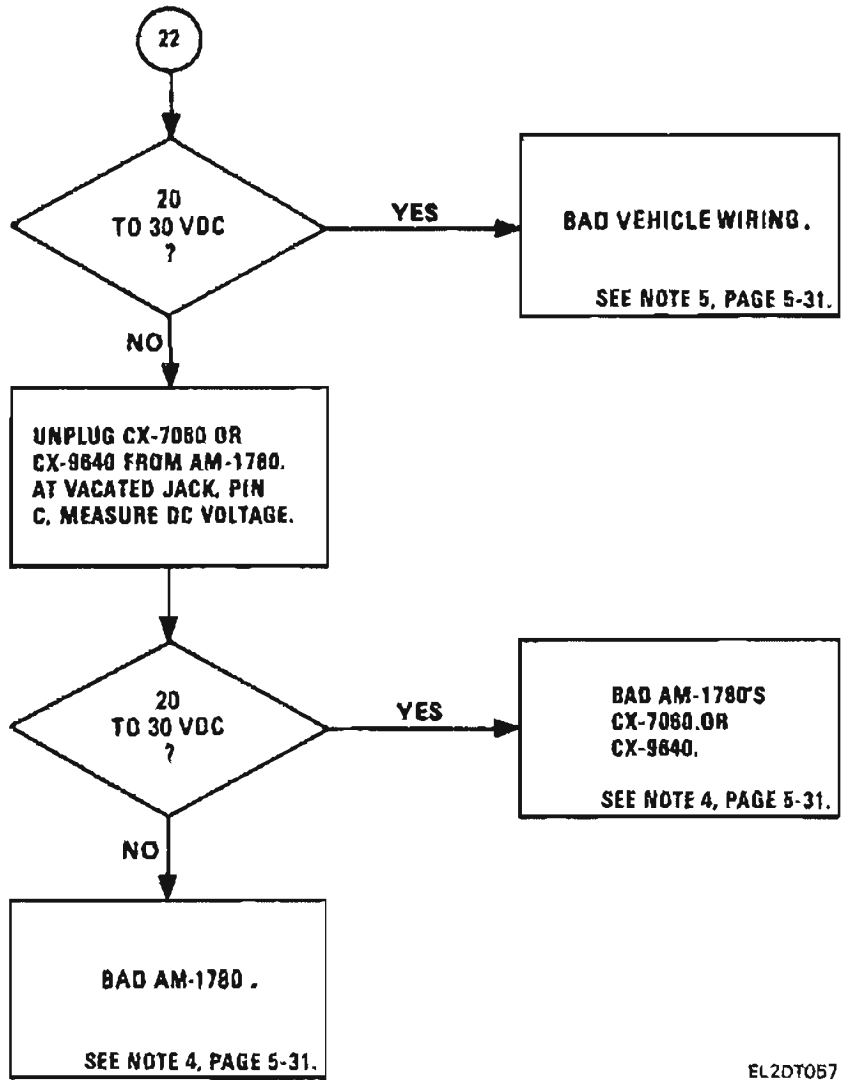
5-9. Troubleshooting Flow Charts – Continued



EL2DT056

Figure 5-10. Troubleshooting intercom talk/listen circuits, adverse for all positions of MONITOR switch (Sheet 15 of 26).

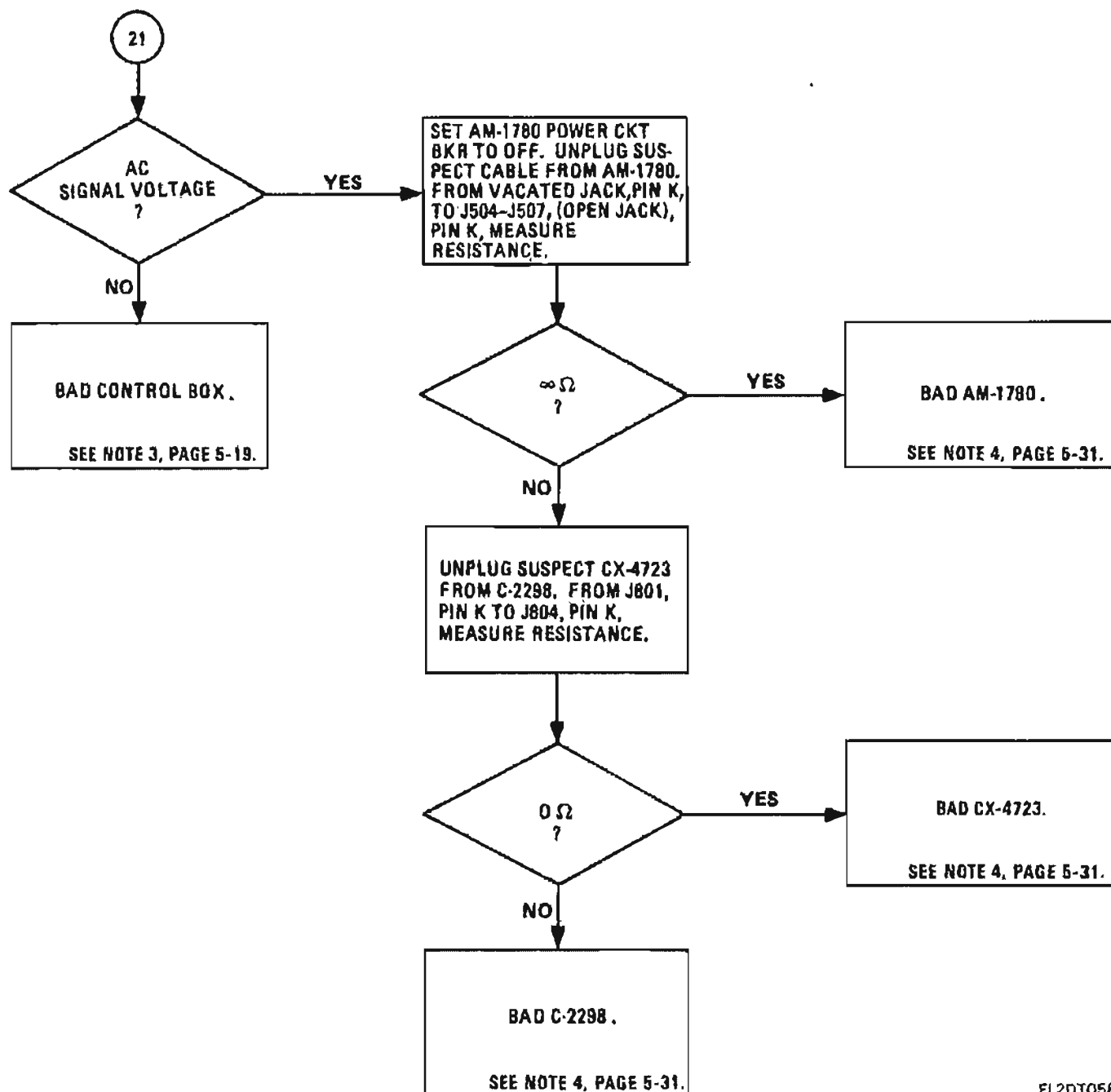
5-9. Troubleshooting Flow Charts – Continued



EL2DT057

Figure 5-10. Troubleshooting intercom talk/listen circuits, adverse for all positions of MONITOR switch (Sheet 16 of 26).

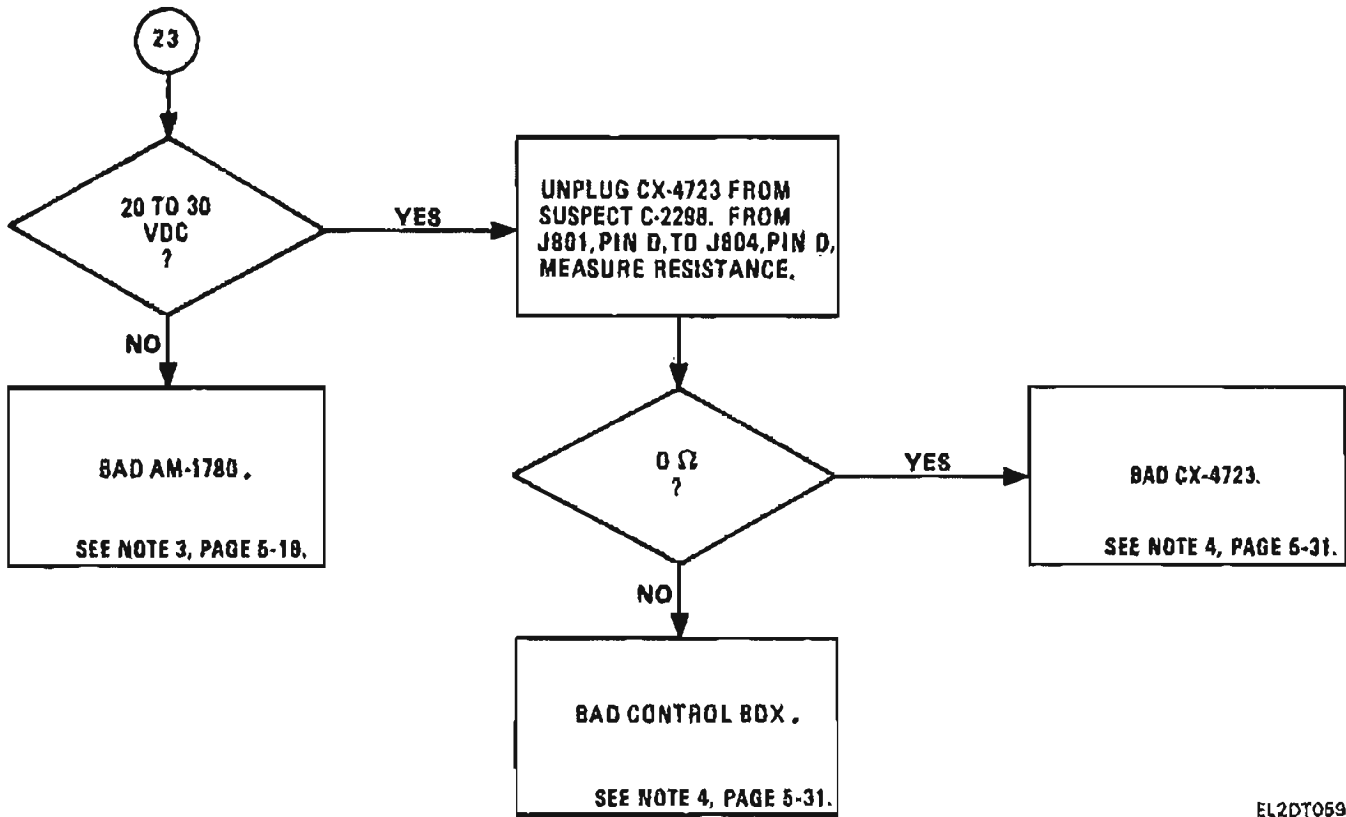
5-9. Troubleshooting Flow Charts - Continued



EL2DT058

Figure 5-10. Troubleshooting intercom talk/listen circuits, adverse for all positions of MONITOR switch (Sheet 17 of 26).

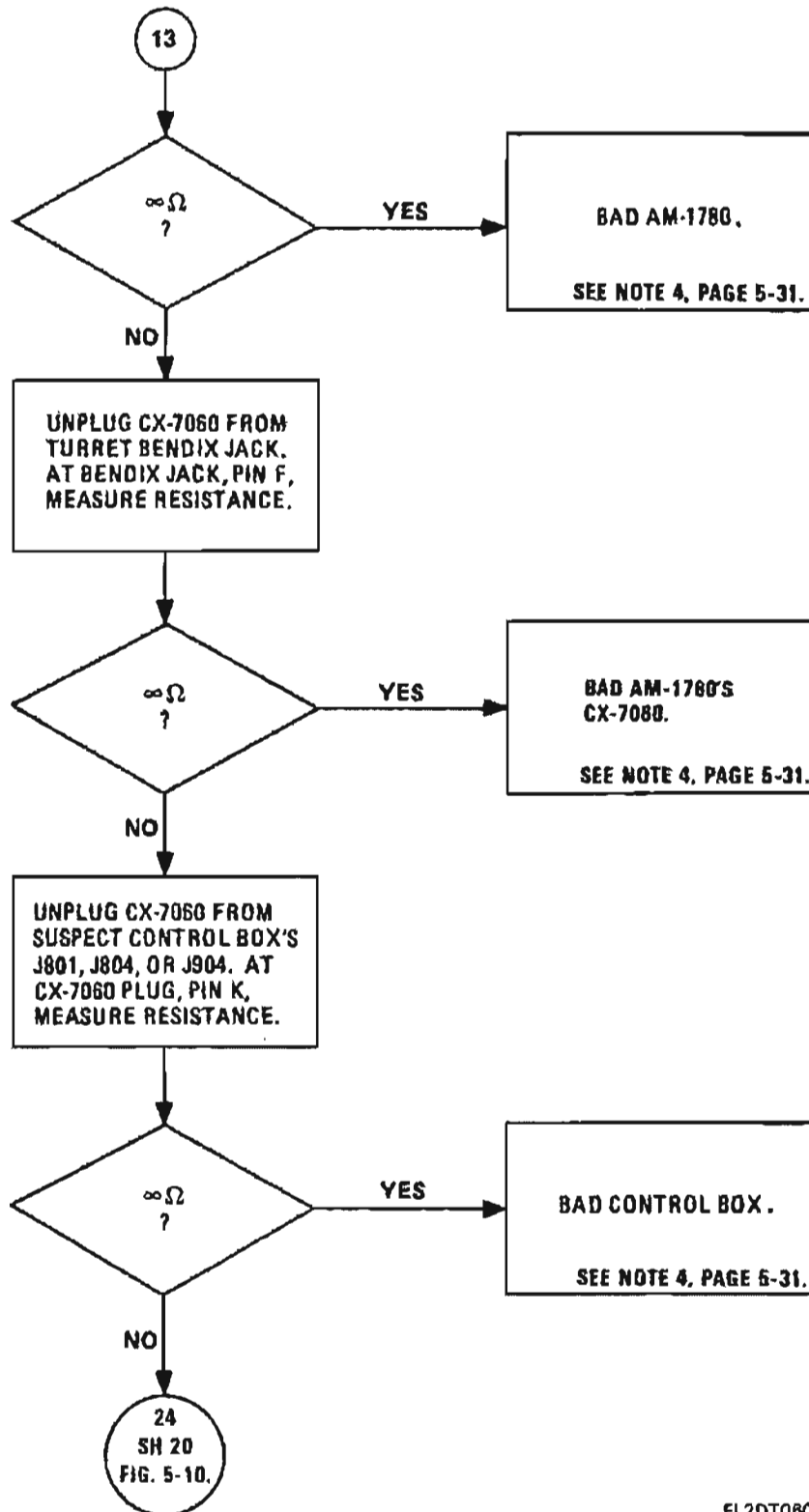
5-9. Troubleshooting Flow Charts – Continued



EL2DT069

Figure 5-10. Troubleshooting intercom talk/listen circuits, adverse for all positions of MONITOR switch (Sheet 18 of 26).

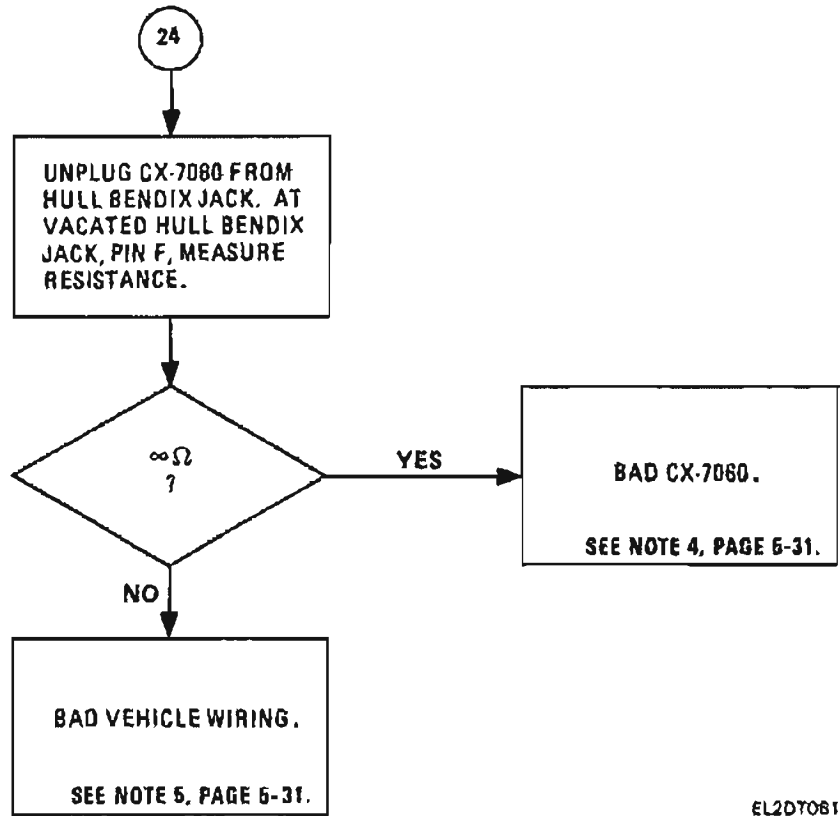
5-9. Troubleshooting Flow Charts – Continued



EL2DT080

Figure 5-10. Troubleshooting intercom talk/listen circuits, adverse for all positions of MONITOR switch (Sheet 19 of 26).

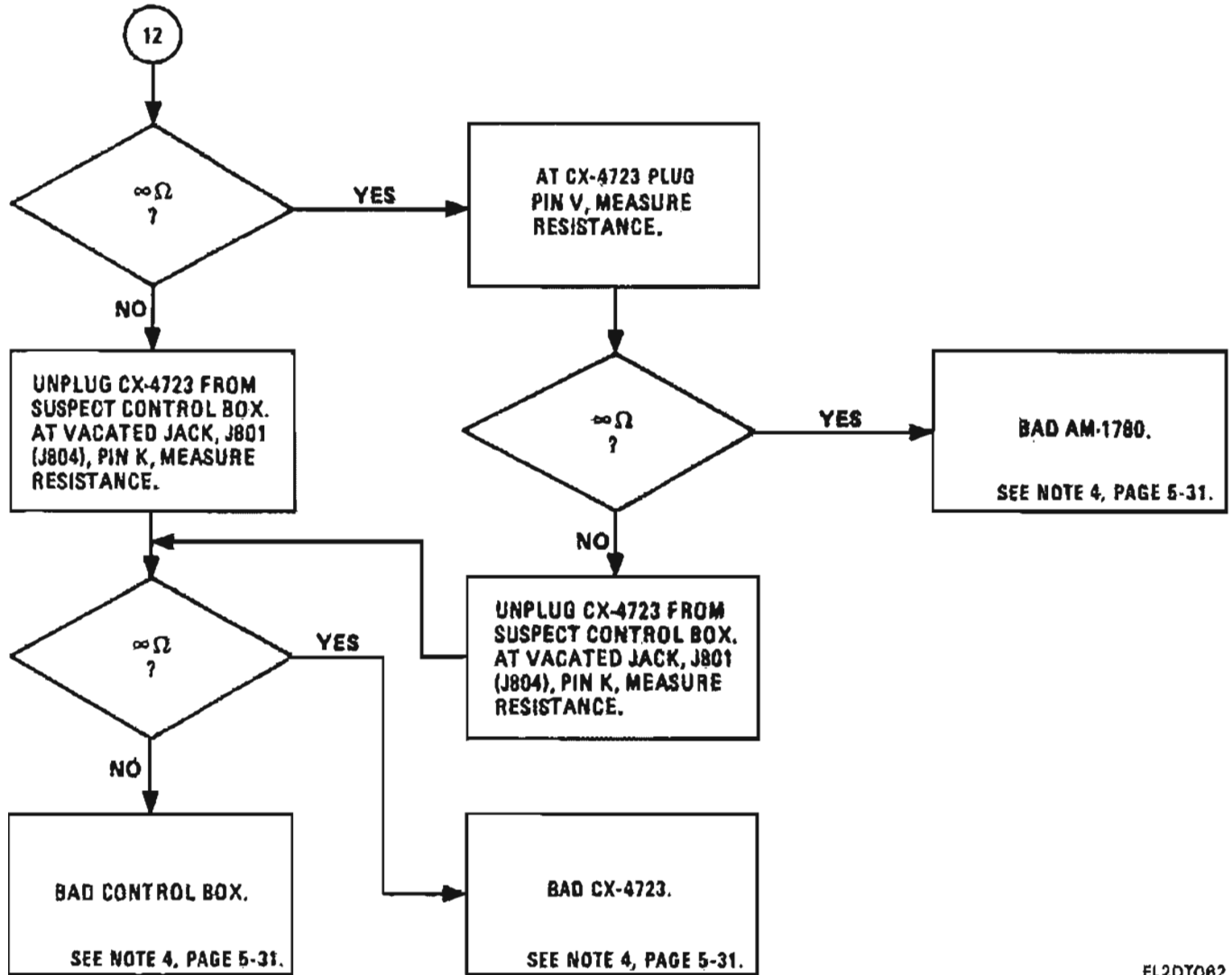
5-9. Troubleshooting Flow Charts – Continued



EL2DT081

Figure 5-10. Troubleshooting intercom talk/listen circuits, adverse for all positions of MONITOR switch (Sheet 20 of 26).

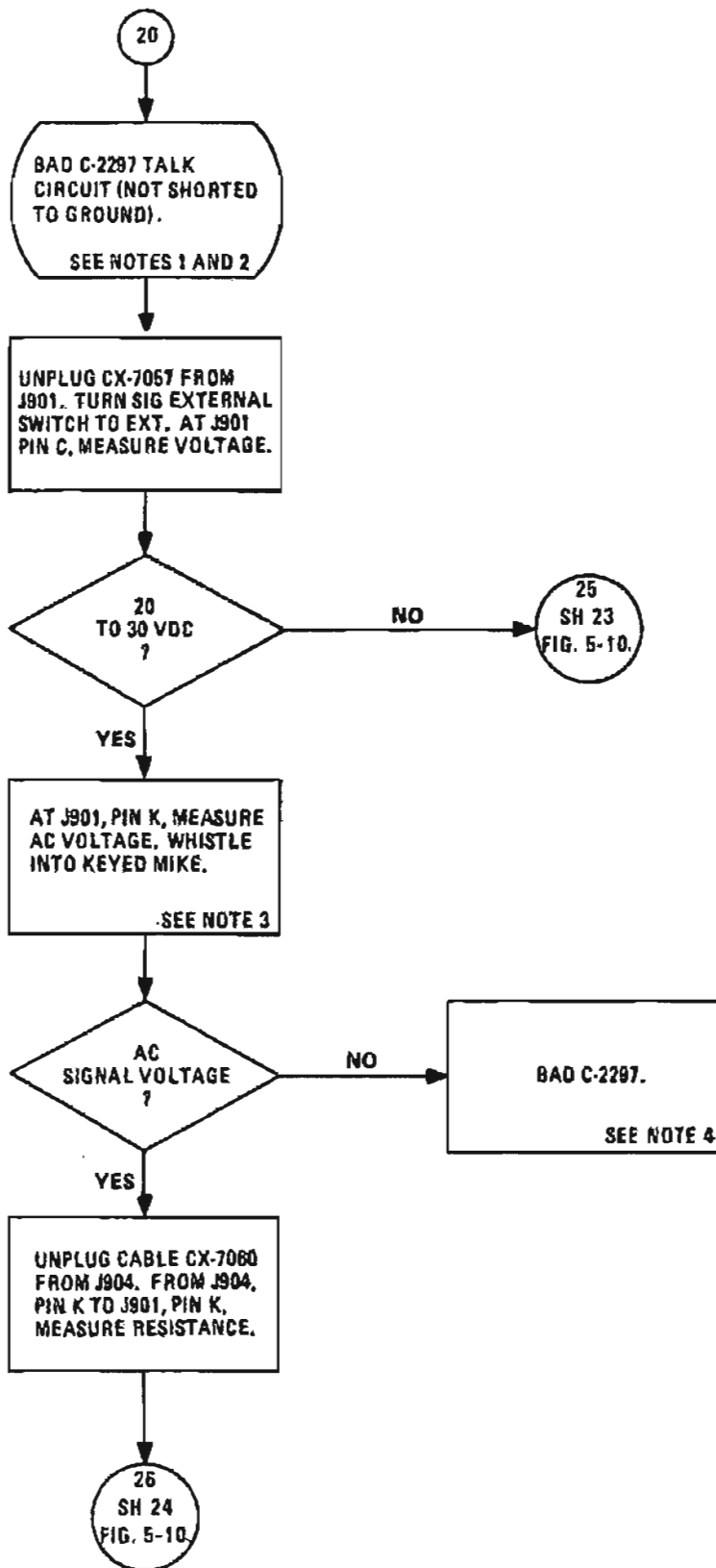
5-9. Troubleshooting Flow Charts – Continued



EL2DY082

Figure 5-10. Troubleshooting intercom talk/listen circuits, adverse for all positions of MONITOR switch (Sheet 21 of 26).

5-9. Troubleshooting Flow Charts - Continued



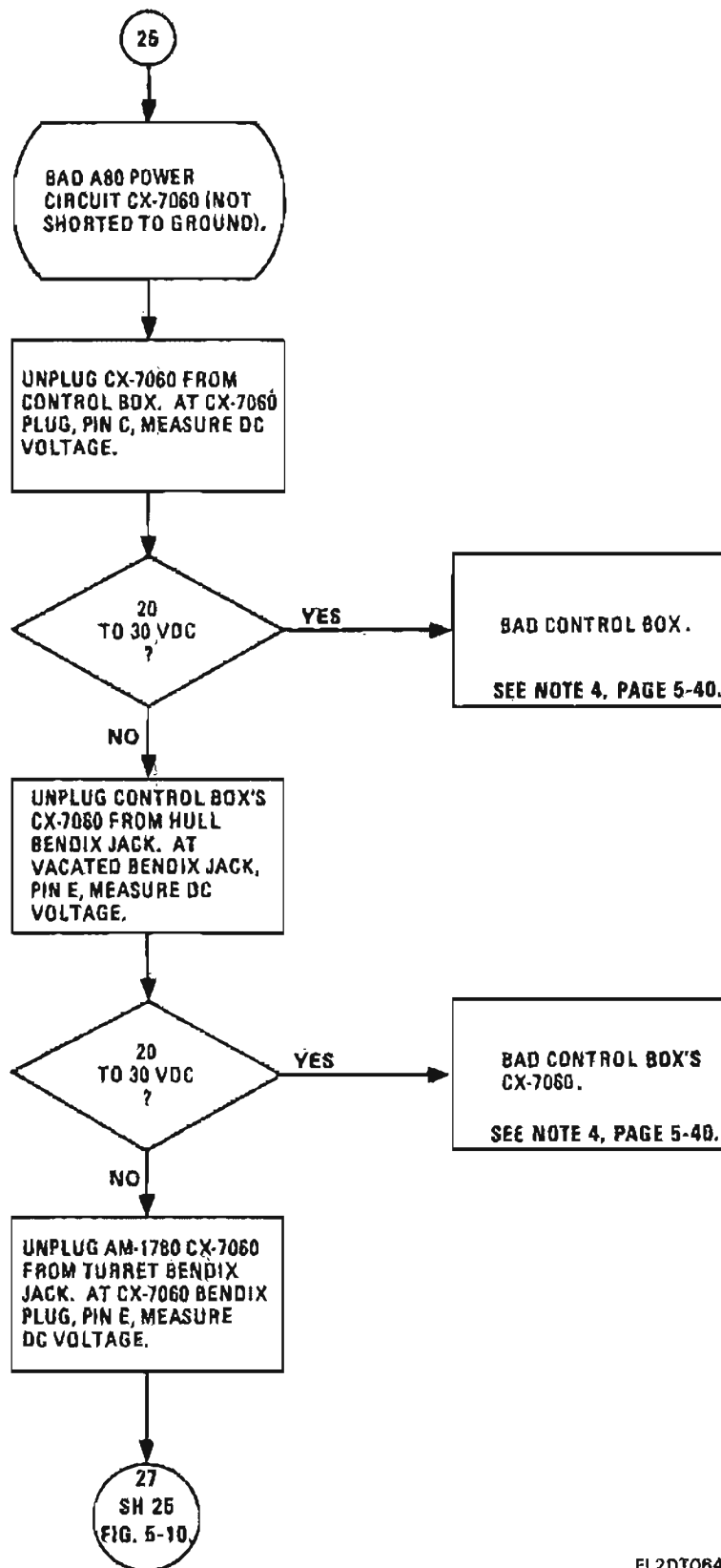
NOTES :

1. Refer to figure FO-1 in back of this manual.
2. Use this flow chart if vehicle is equipped with a C-2297 driver's control box.
3. Set up multimeter as an AC voltmeter (lowest range) connect meter probes between signal line (test point) and chassis ground; then key mike and note reading. Next sharply whistle into keyed mike and see if meter reading changes. A change in AC voltage reading indicates the presence of the talk signal. (Reading is < 1 volt.)
4. Fix or replace and return to operational check at this time.
5. Set up multimeter as an ohmmeter to do circuit disturb, RX10.
6. Refer to higher maintenance level.

EL2DT083

Figure 5-10. Troubleshooting intercom talk/listen circuits, adverse for all positions of MONITOR switch (Sheet 22 of 26).

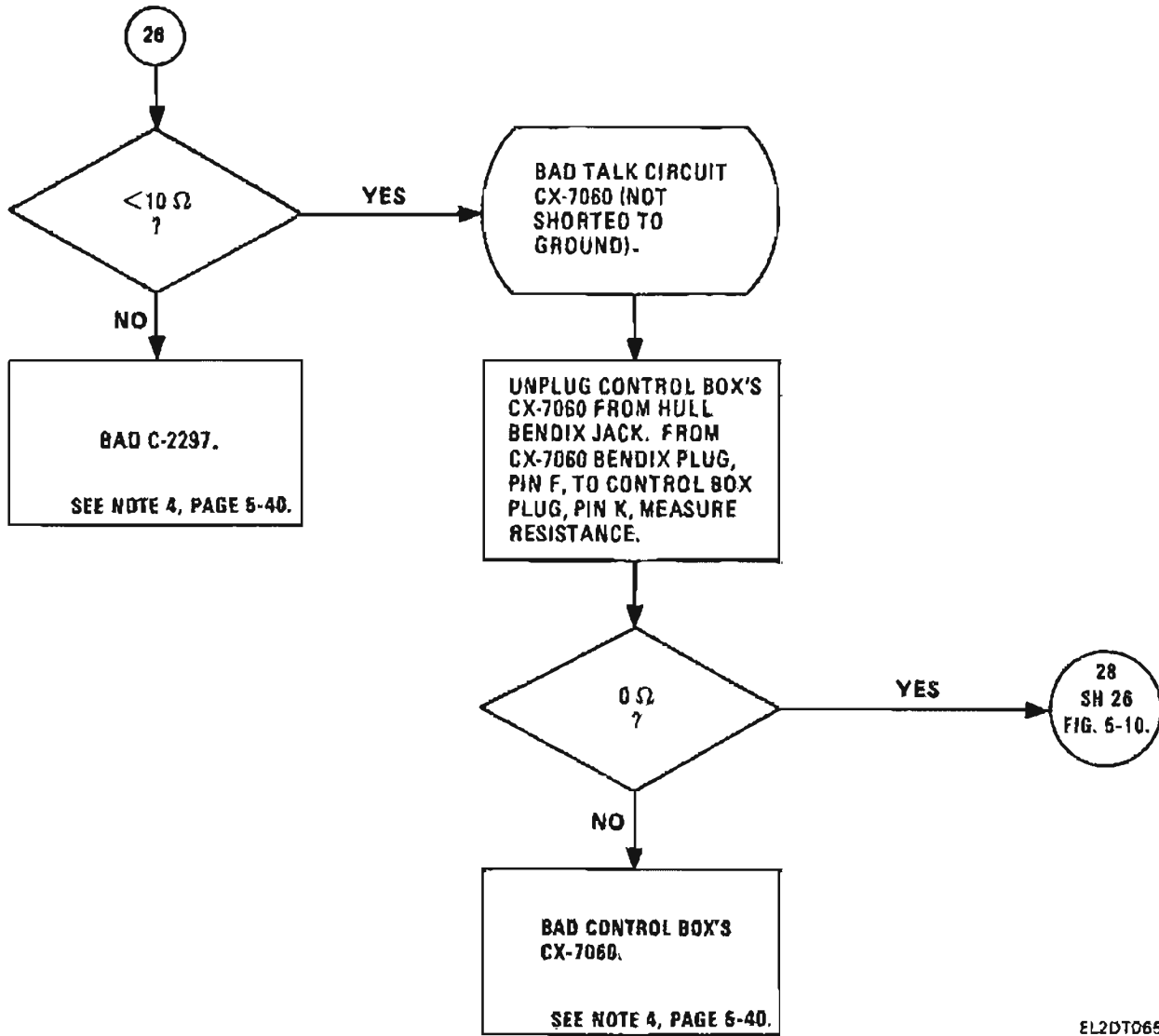
5-9. Troubleshooting Flow Charts – Continued



EL2DT064

Figure 5-10. Troubleshooting intercom talk/listen circuits, adverse for all positions of MONITOR switch (Sheet 23 of 26).

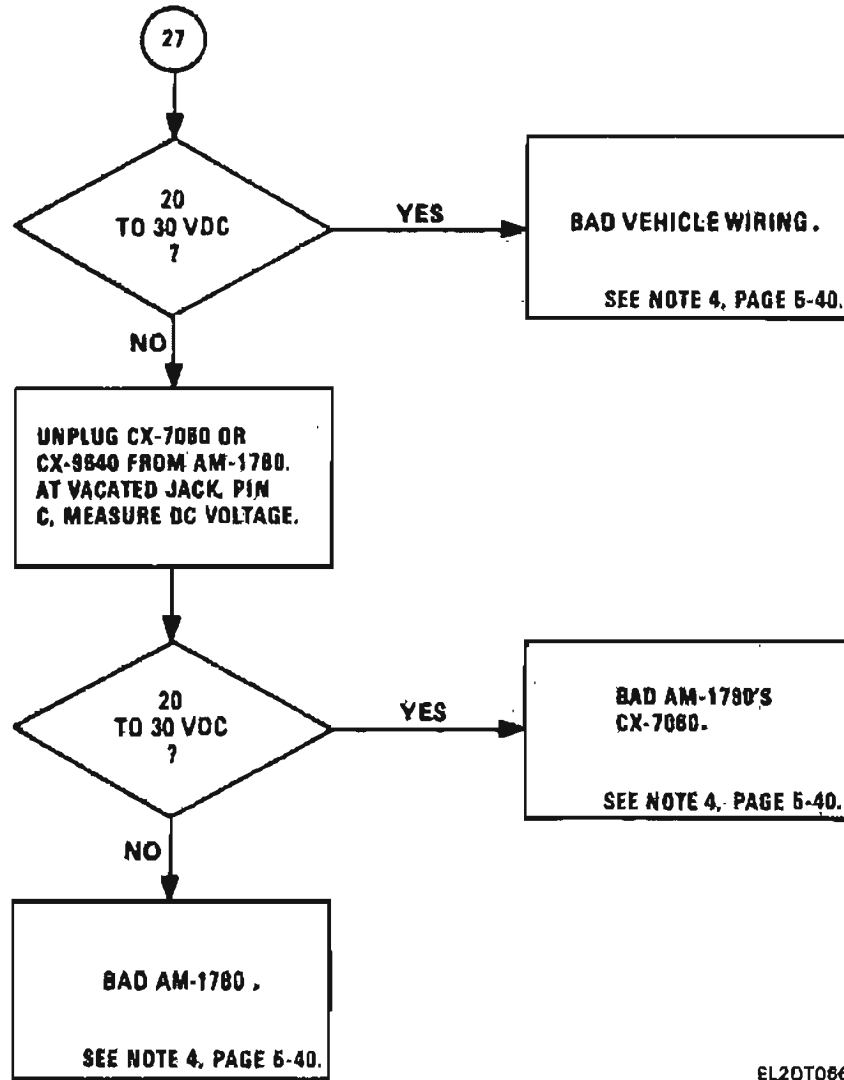
5-9. Troubleshooting Flow Charts - Continued



EL2DT065

Figure 5-10. Troubleshooting intercom talk/listen circuits, adverse for all positions of MONITOR switch (Sheet 24 of 26).

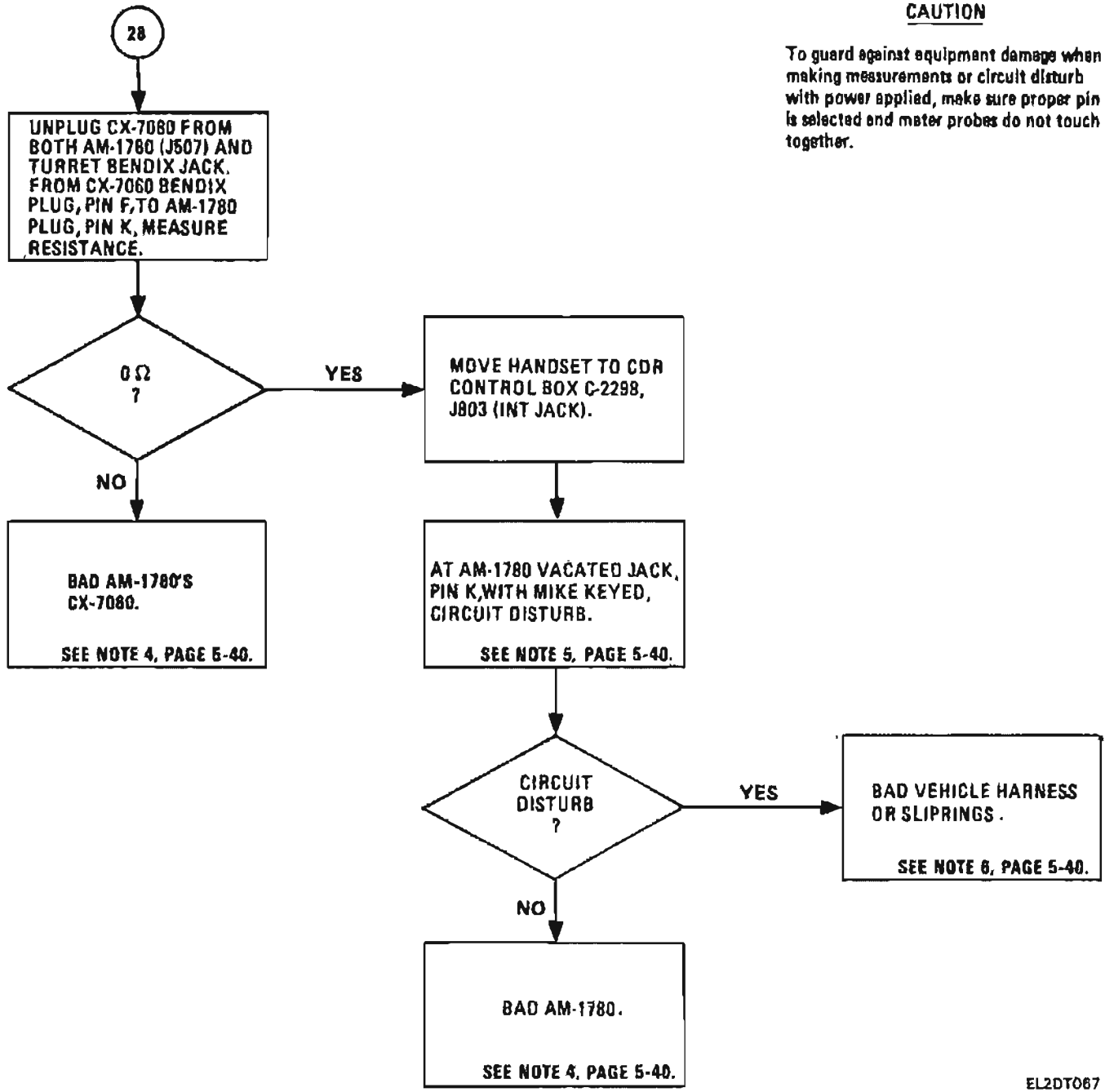
5-9. Troubleshooting Flow Charts - Continued



EL2DT066

Figure 5-10. Troubleshooting intercom talk/listen circuits, adverse for all positions of MONITOR switch (Sheet 25 of 26).

5-9. Troubleshooting Flow Charts – Continued



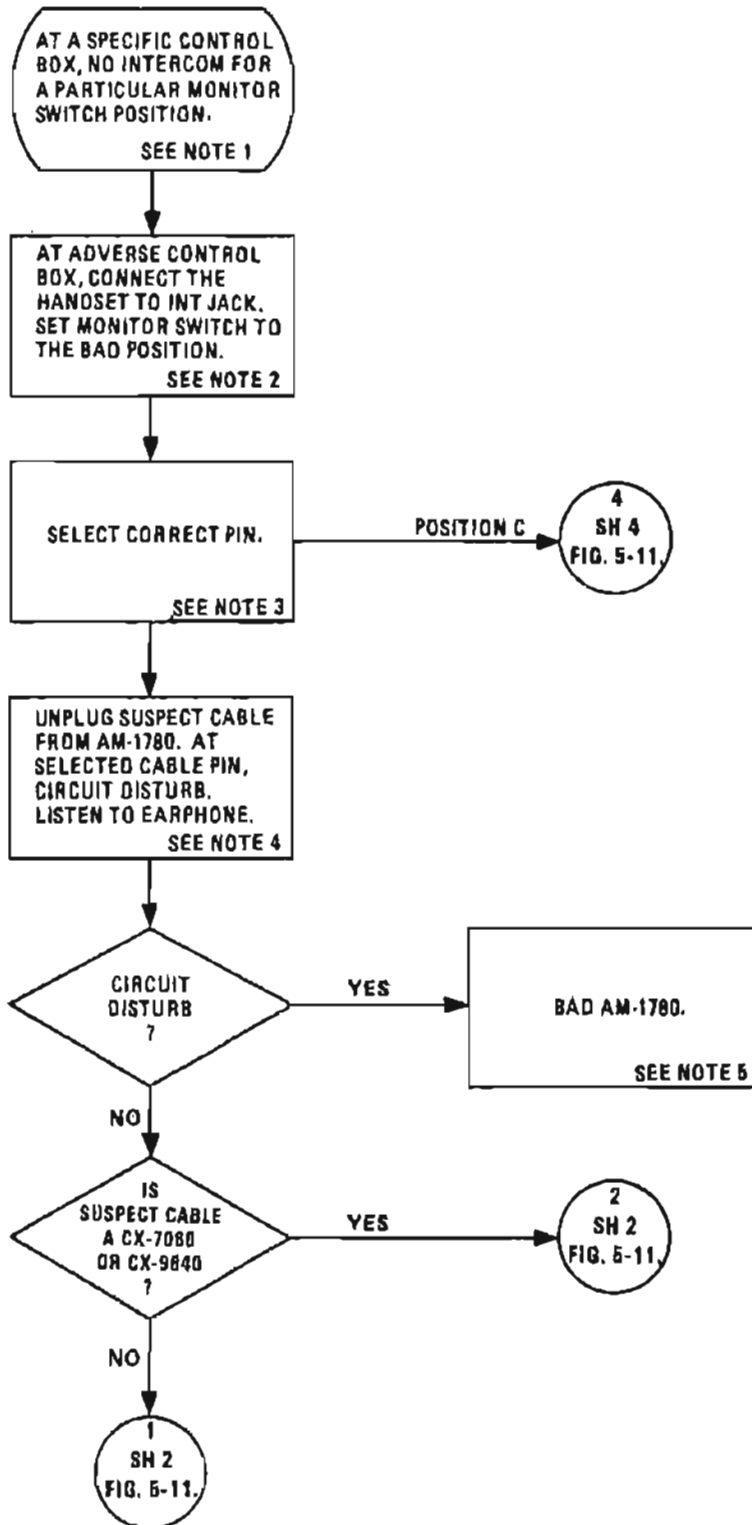
CAUTION

To guard against equipment damage when making measurements or circuit disturb with power applied, make sure proper pin is selected and meter probes do not touch together.

EL2DT087

Figure 5-10. Troubleshooting intercom talk/listen circuits, adverse for all positions of MONITOR switch (Sheet 28 of 26).

5-9. Troubleshooting Flow Charts – Continued



NOTES:

1. Refer to figure FD-1 in back of this manual.
2. Follow this chart in sequence for any position of the MONITOR switch and for any commander's, driver's, and crewmember's control boxes.
3. Select the correct pin for the MONITOR switch or the Bendix cable from the below listed chart.

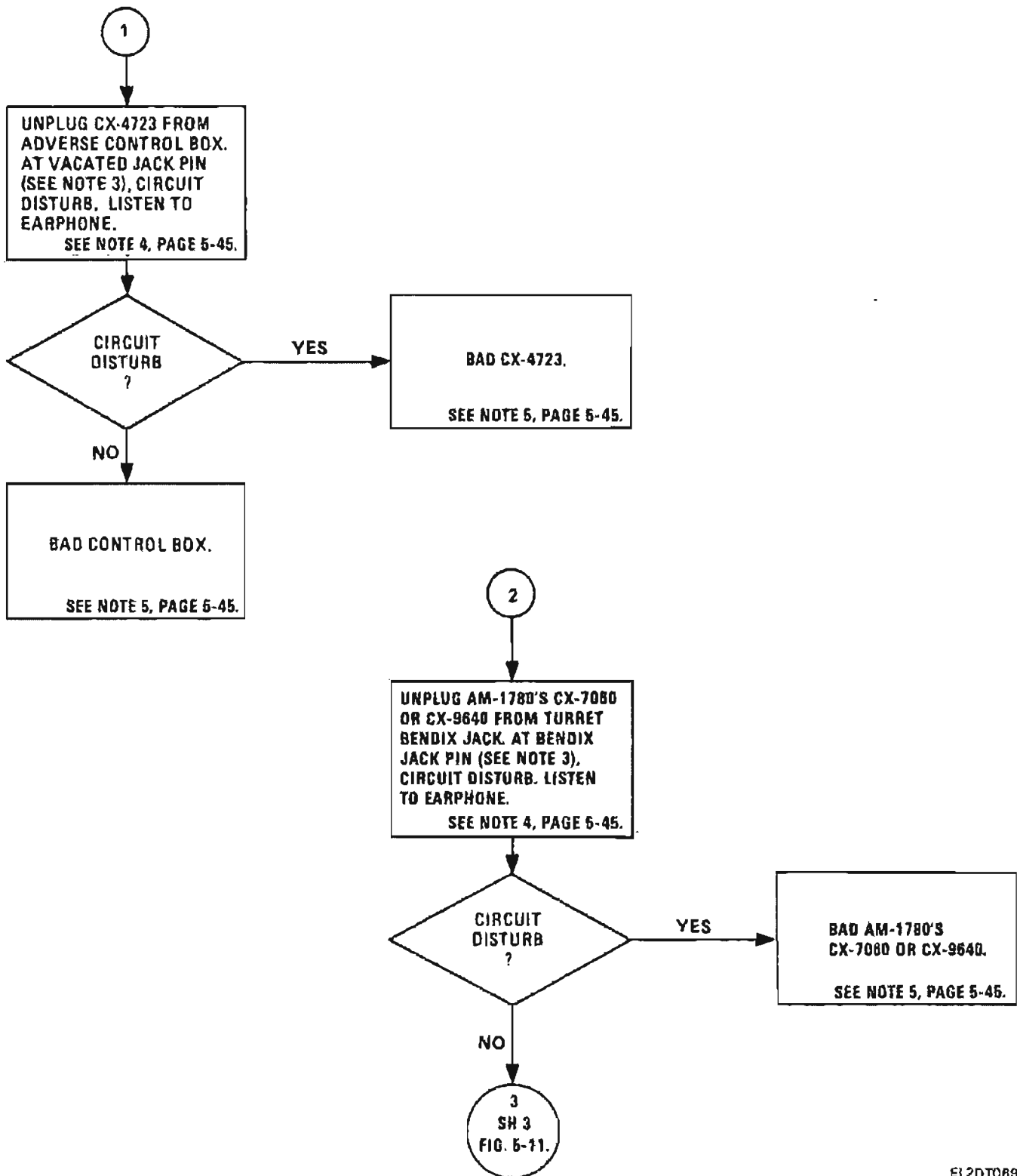
Position	Use	CX-7080 Bendix	CX-9840 Bendix
ALL	Pin L	B	B
A	Pin M	A	N/A
INT	Pin E	G	N/A
B	Pin B	J	N/A
C	See	N/A	N/A

4. Set up multimeter as an ohmmeter to perform circuit disturb, RX10.
5. Fix or replace and return to operational check at this time.
6. Refer to higher maintenance level.
7. Set up multimeter as an AC-voltmeter (lowest range) connect meter probes between signal line (test point) and chassis ground, then key mike and note reading. Next, sharply whistle into mike and look to see if the meter reading changes. Any change in AC voltage reading indicates the presence of the talk signal. (Reading is 1 volt.)

EL20T088

Figure 5-11. Troubleshooting intercom talk/listen circuits, a particular position of MONITOR switch is adverse (Sheet 1 of 6).

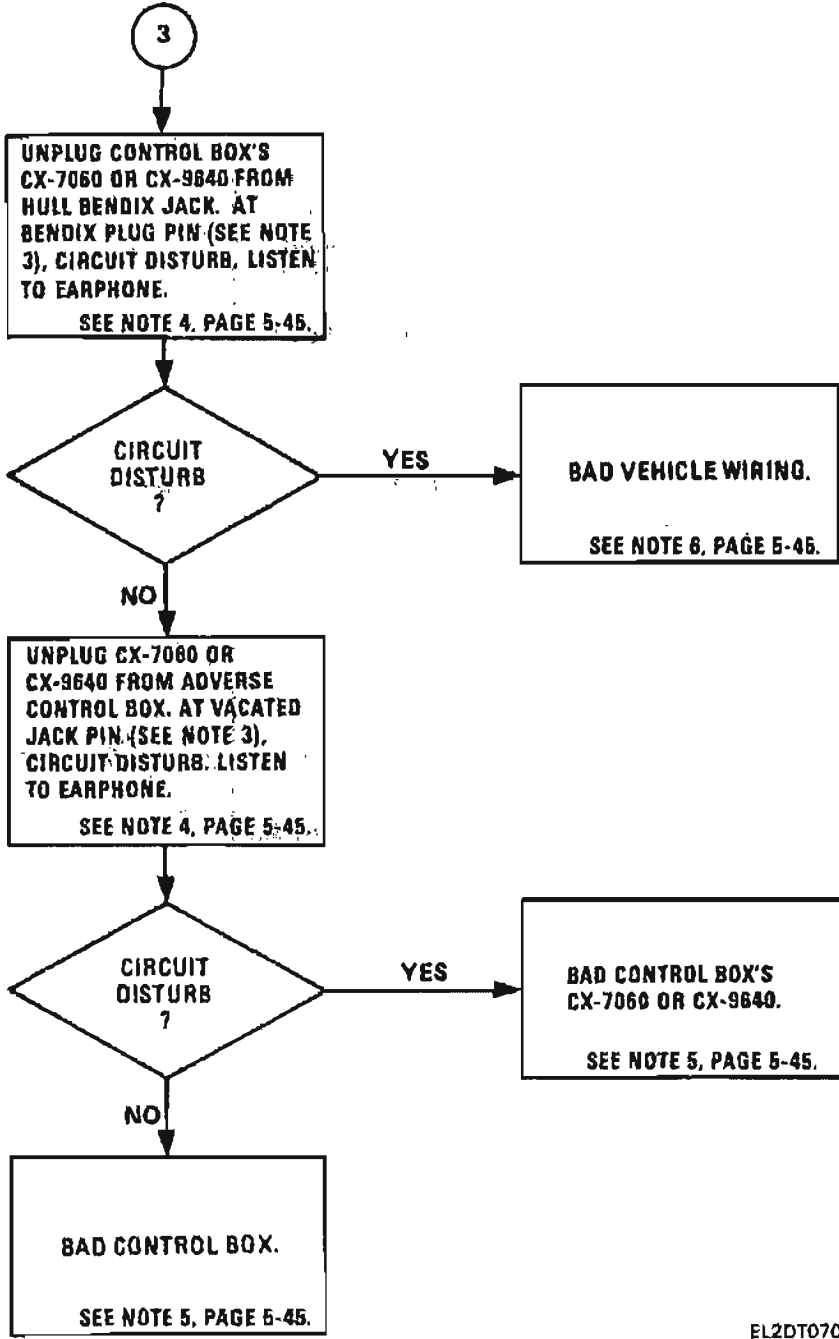
5-9. Troubleshooting Flow Charts – Continued



EL2DT089

Figure 5-11. Troubleshooting intercom talk/listen circuits, a particular position of MONITOR switch is adverse (Sheet 2 of 6).

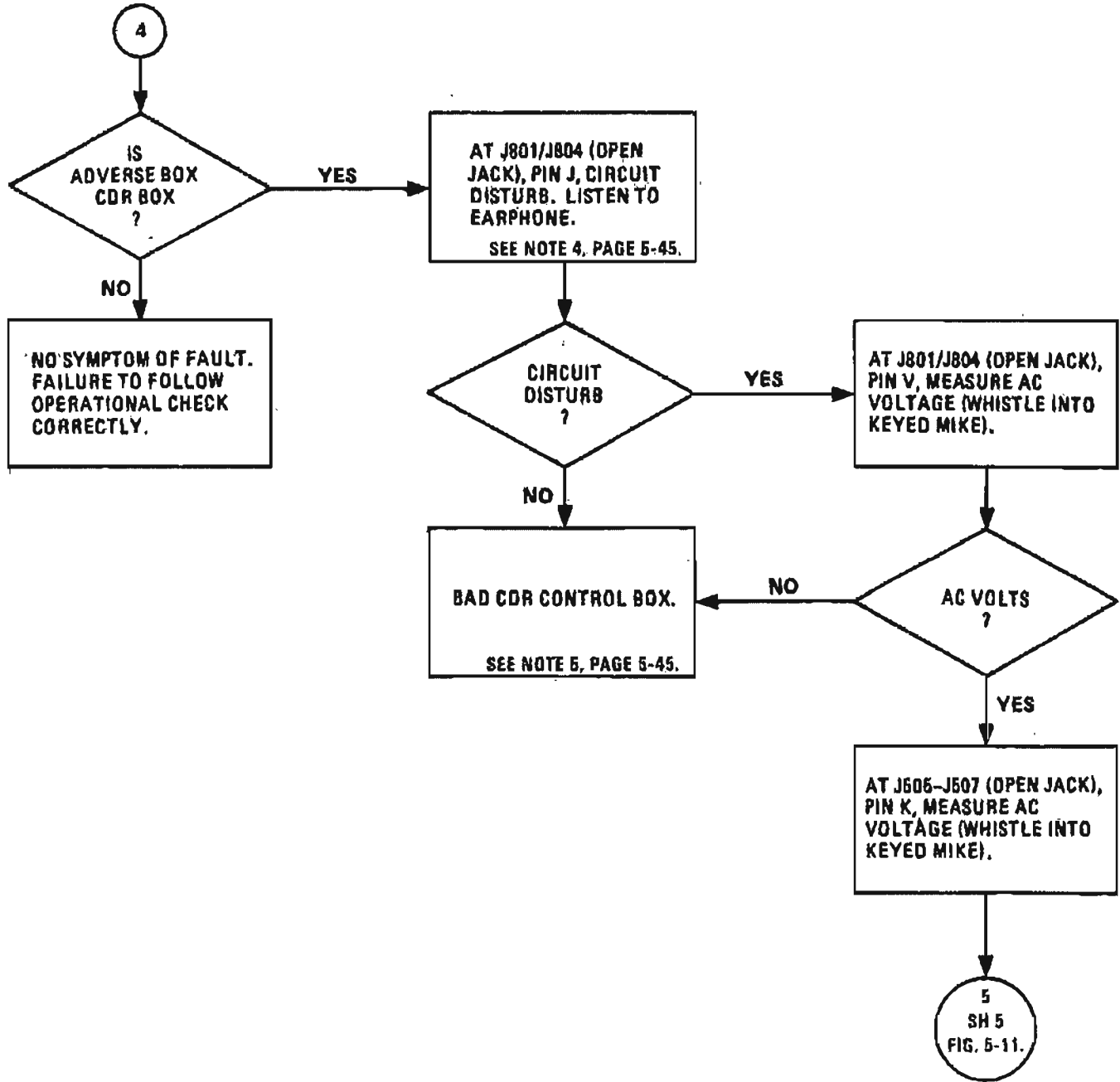
5-9. Troubleshooting Flow Charts – Continued



EL2DT070

Figure 5-11. Troubleshooting intercom talk/listen circuits, a particular position of MONITOR switch is adverse (Sheet 3 of 6).

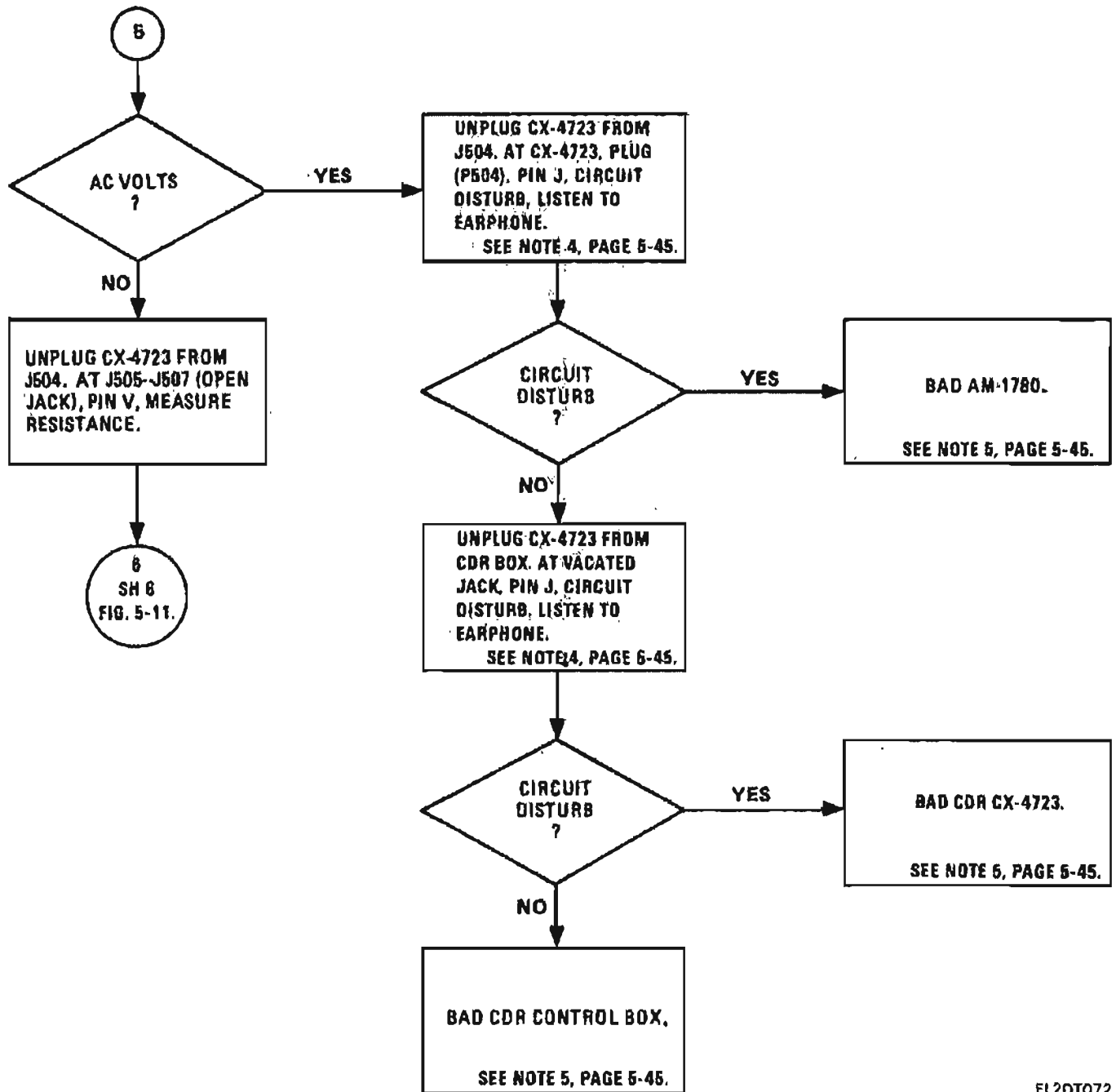
5-9. Troubleshooting Flow Charts—Continued



EL2DT071

Figure 5-11. Troubleshooting intercom talk/listen circuits, a particular position of MONITOR switch is adverse (Sheet 4 of 6).

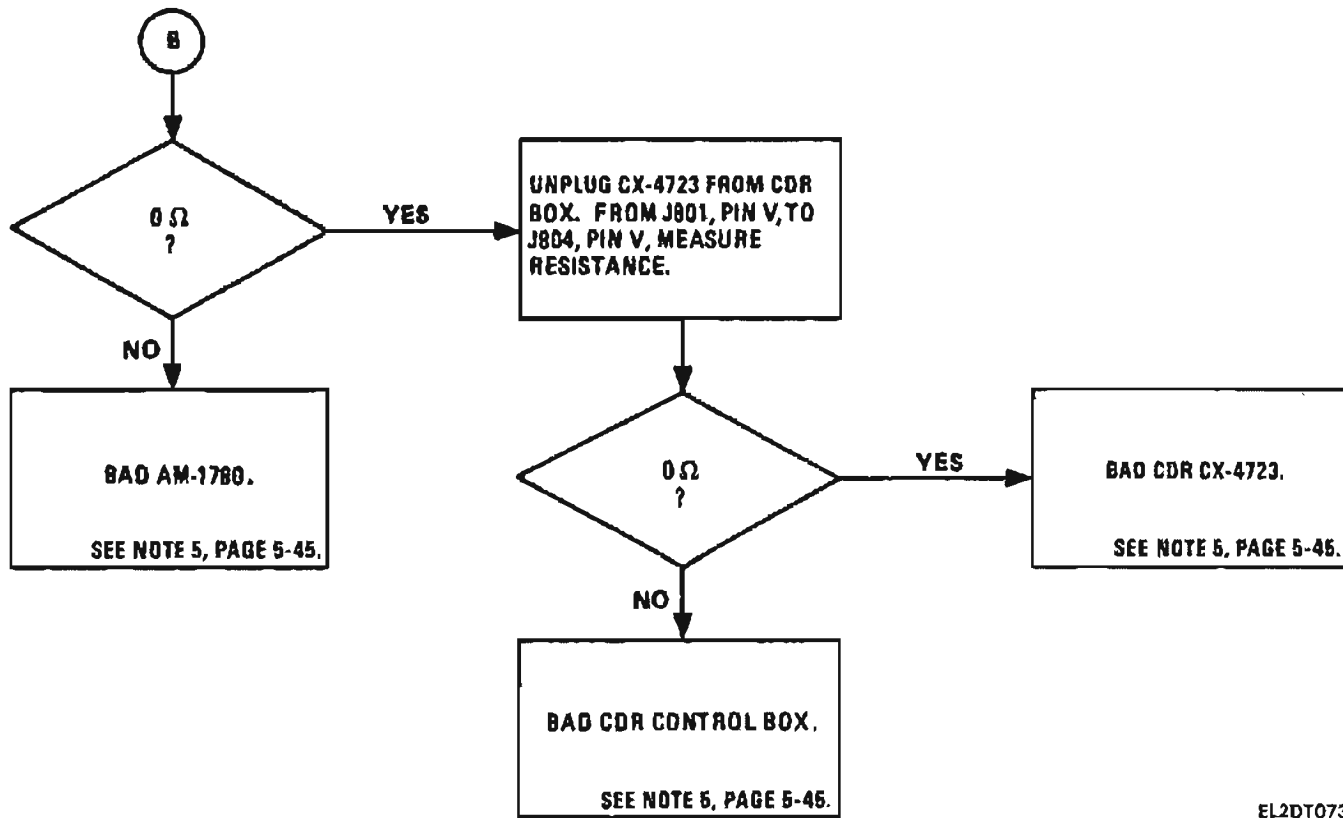
5-9. Troubleshooting Flow Charts – Continued



EL2DT072

Figure 5-11. Troubleshooting intercom talk/listen circuits, a particular position of MONITOR switch is adverse (Sheet 5 of 6).

5-9. Troubleshooting Flow Charts – Continued



EL2DT073

Figure 5-11. Troubleshooting intercom talk/listen circuits, a particular position of MONITOR switch is adverse (Sheet 6 of 6).

5-9. Troubleshooting Flow Charts – Continued

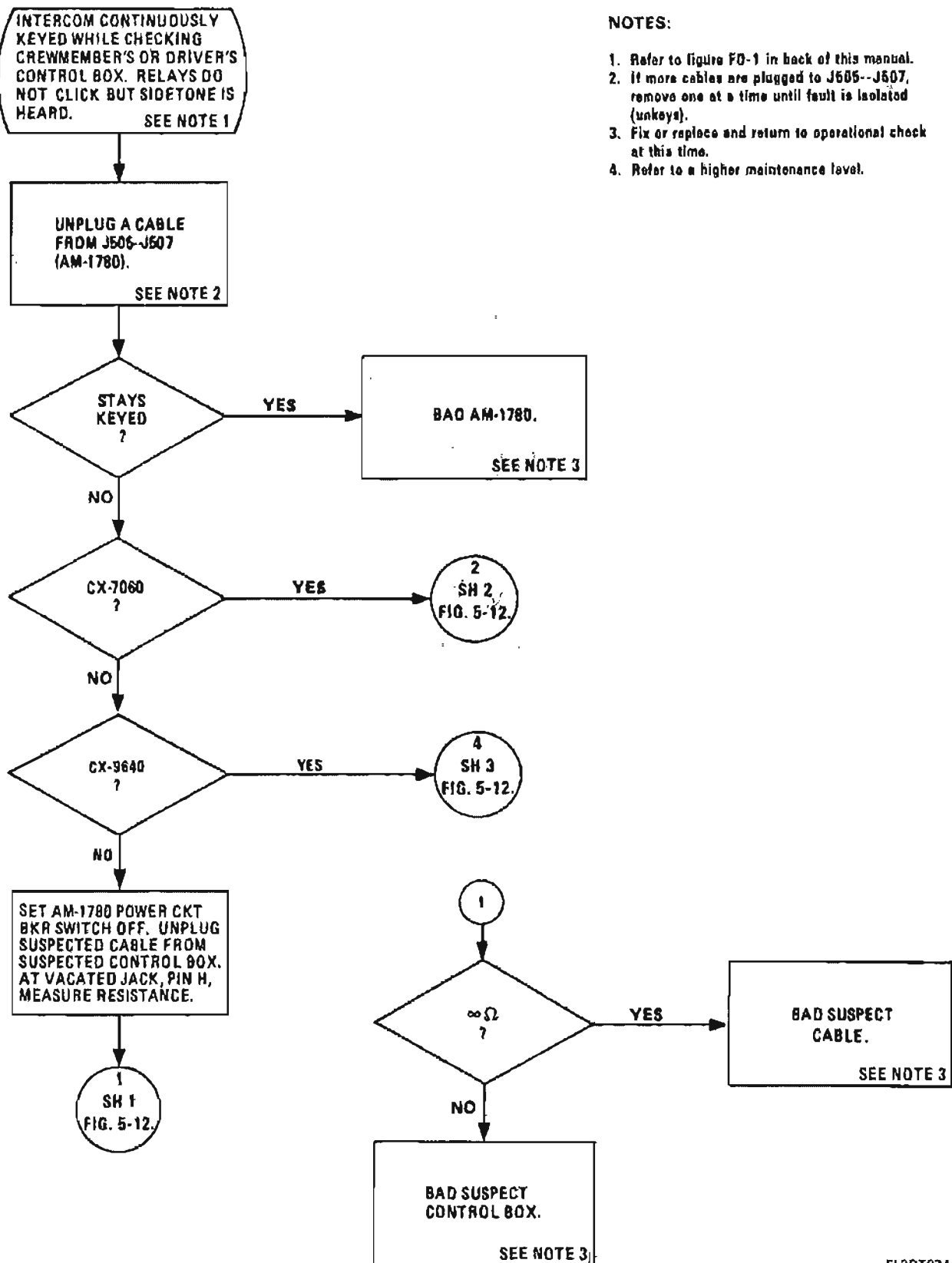


Figure 5-12. Troubleshooting intercom keying circuits, adverse short (Sheet 1 of 3).

5-9. Troubleshooting Flow Charts - Continued

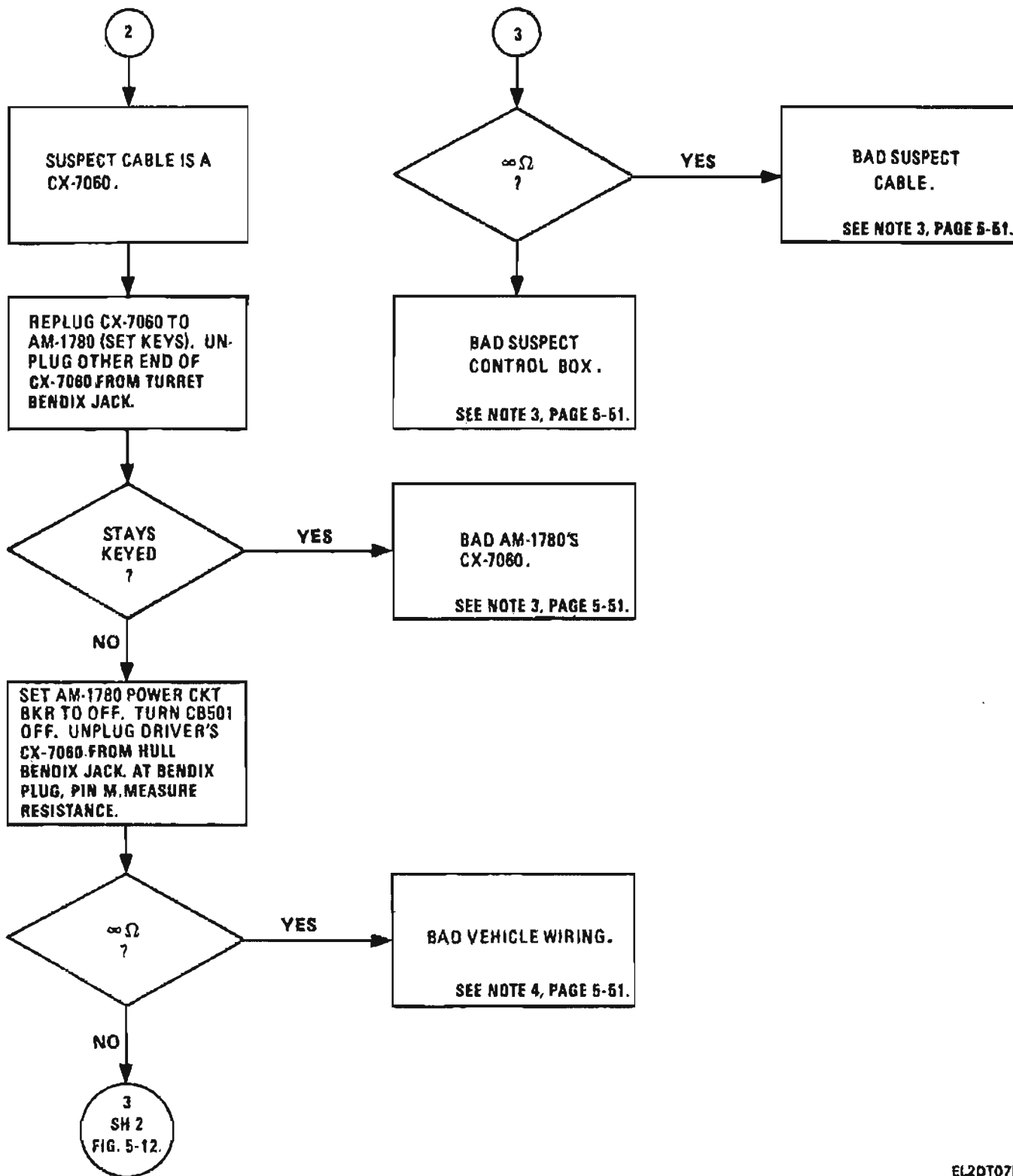


Figure 5-12. Troubleshooting intercom keying circuits, adverse short (Sheet 2 of 3).

EL2DT075

5-9. Troubleshooting Flow Charts - Continued

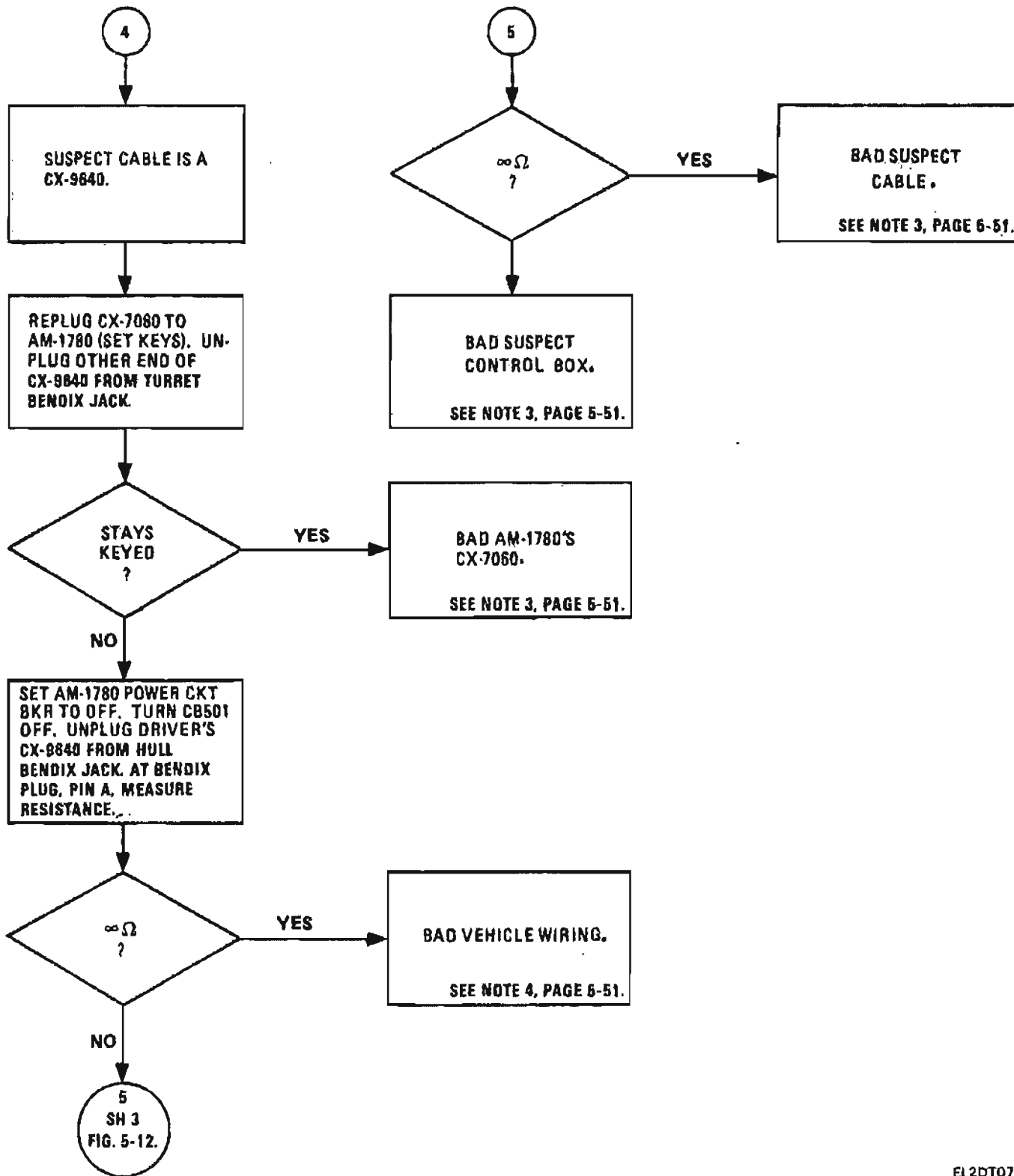
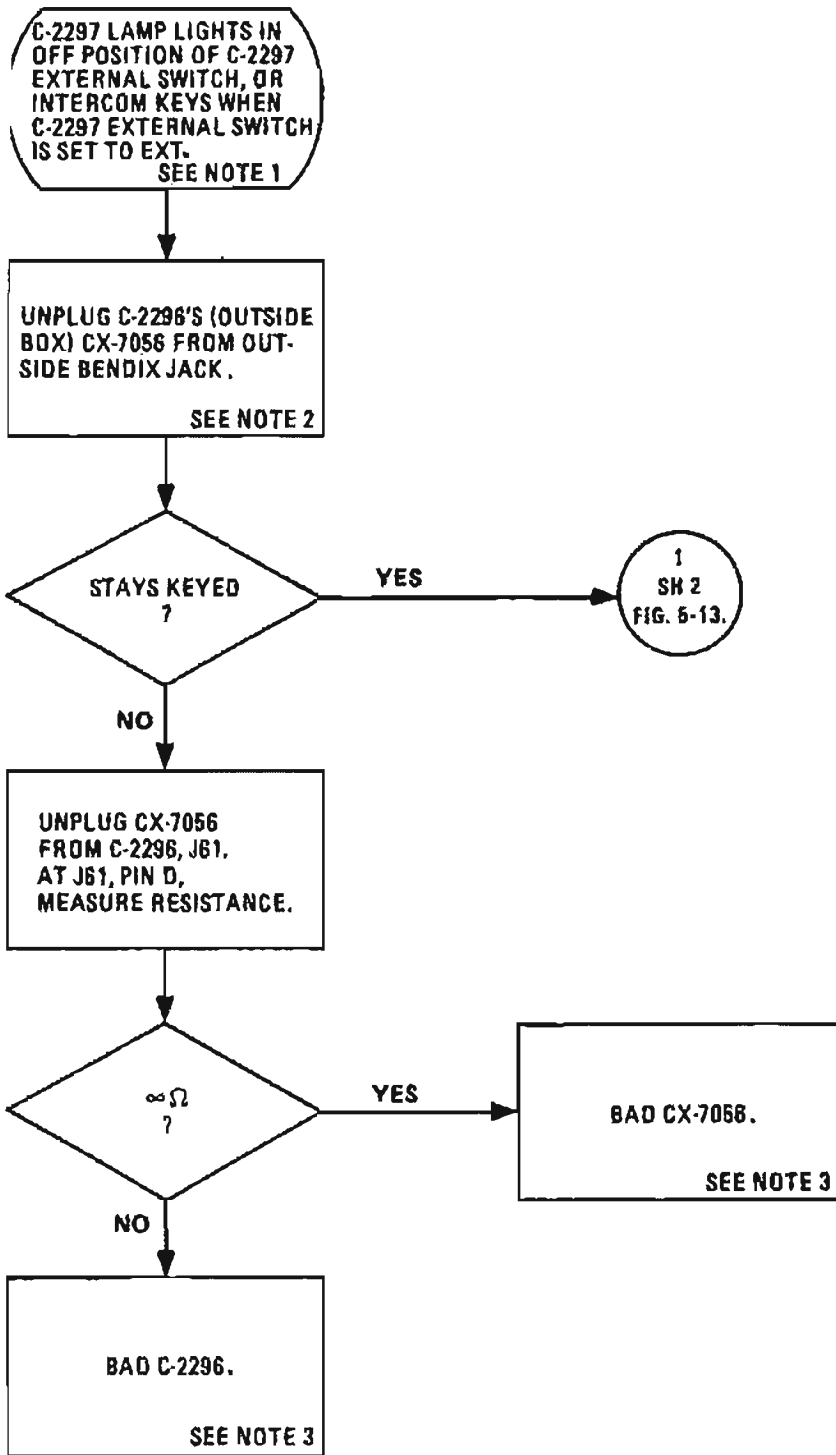


Figure 5-12. Troubleshooting intercom keying circuits, adverse short (Sheet 3 of 3).

5-9. Troubleshooting Flow Charts – Continued



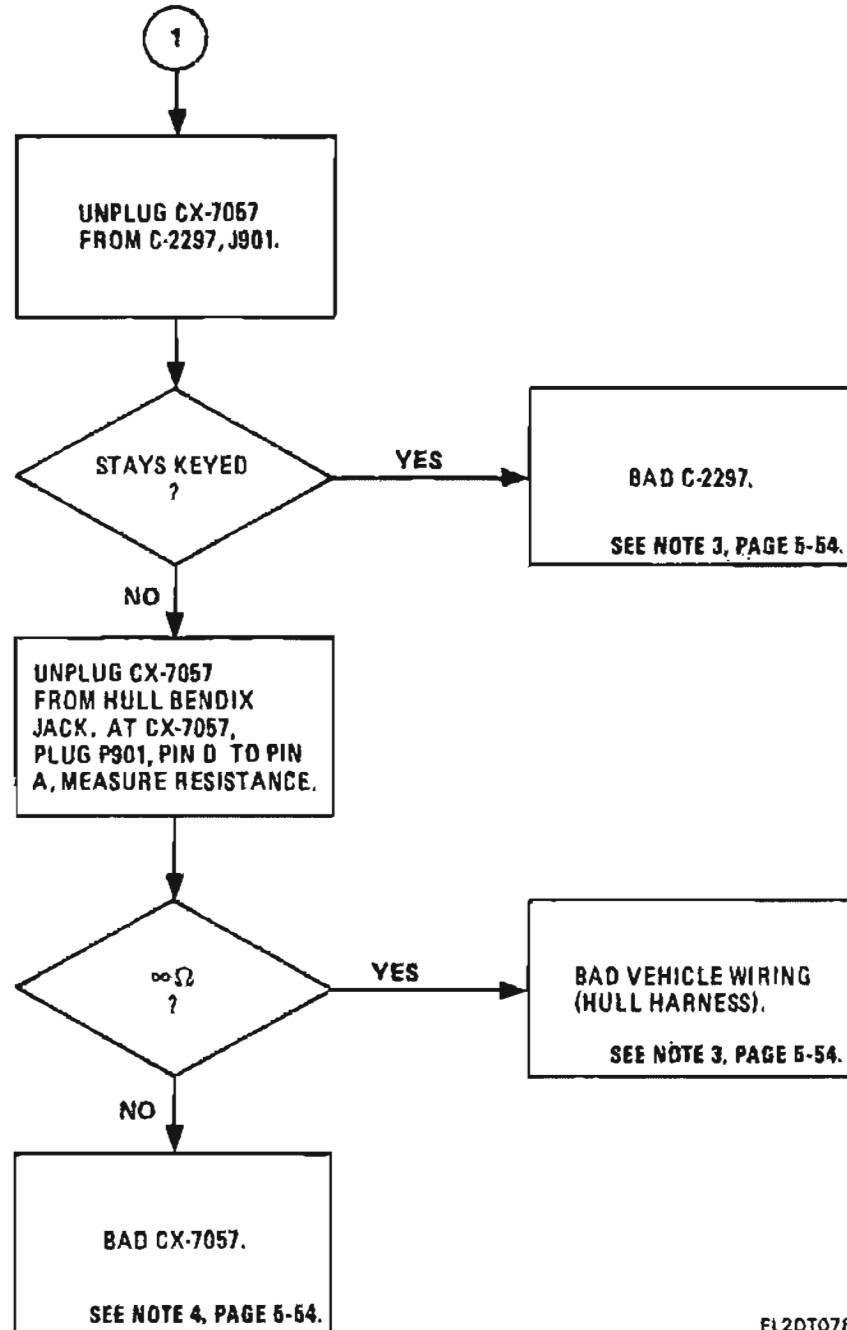
NOTES

1. Refer to figure FO-1 in back of this manual.
2. Use this flow chart if the vehicle is equipped with a C-2297/VRC driver's control box.
3. Fix or replace and return to operational check at this time.
4. Refer to higher level of maintenance.

EL2DT077

Figure 5-13. Troubleshooting C-2296 intercom keying circuits, adverse short (Sheet 1 of 2).

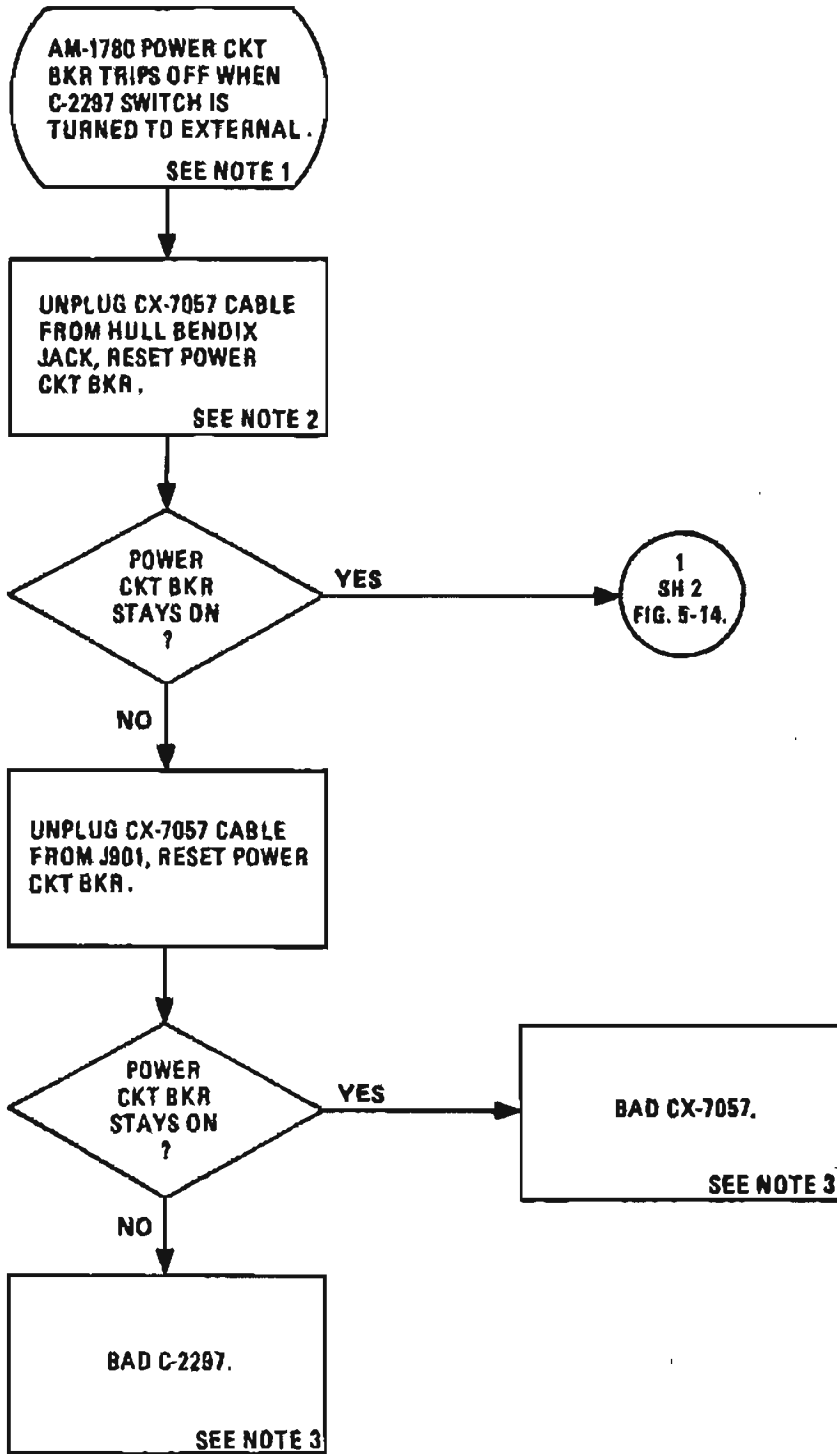
5-9. Troubleshooting Flow Charts – Continued



EL2DT078

Figure 5-13. Troubleshooting C-2296 intercom keying circuits, adverse short (Sheet 2 of 2).

5-9. Troubleshooting Flow Charts - Continued



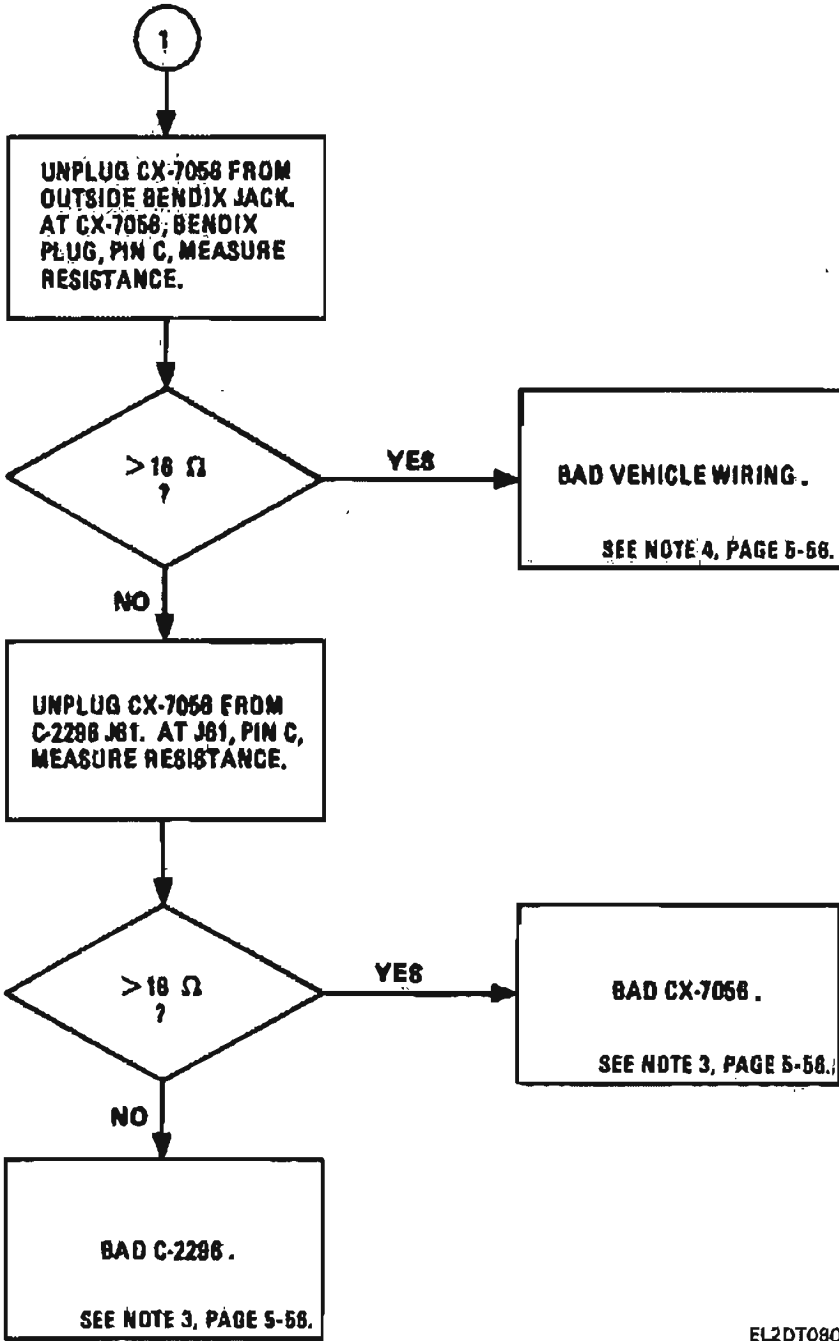
NOTES:

1. Refer to figure F0-2 in back of this manual.
2. Use this chart if vehicle is equipped with a C-2287/VRC control box.
3. Fix or replace and return to operational check at this time.
4. Refer to higher level of maintenance.

EL2DT079

Figure 5-14. Troubleshooting intercom power distribution circuits, adverse short (Sheet 1 of 2).

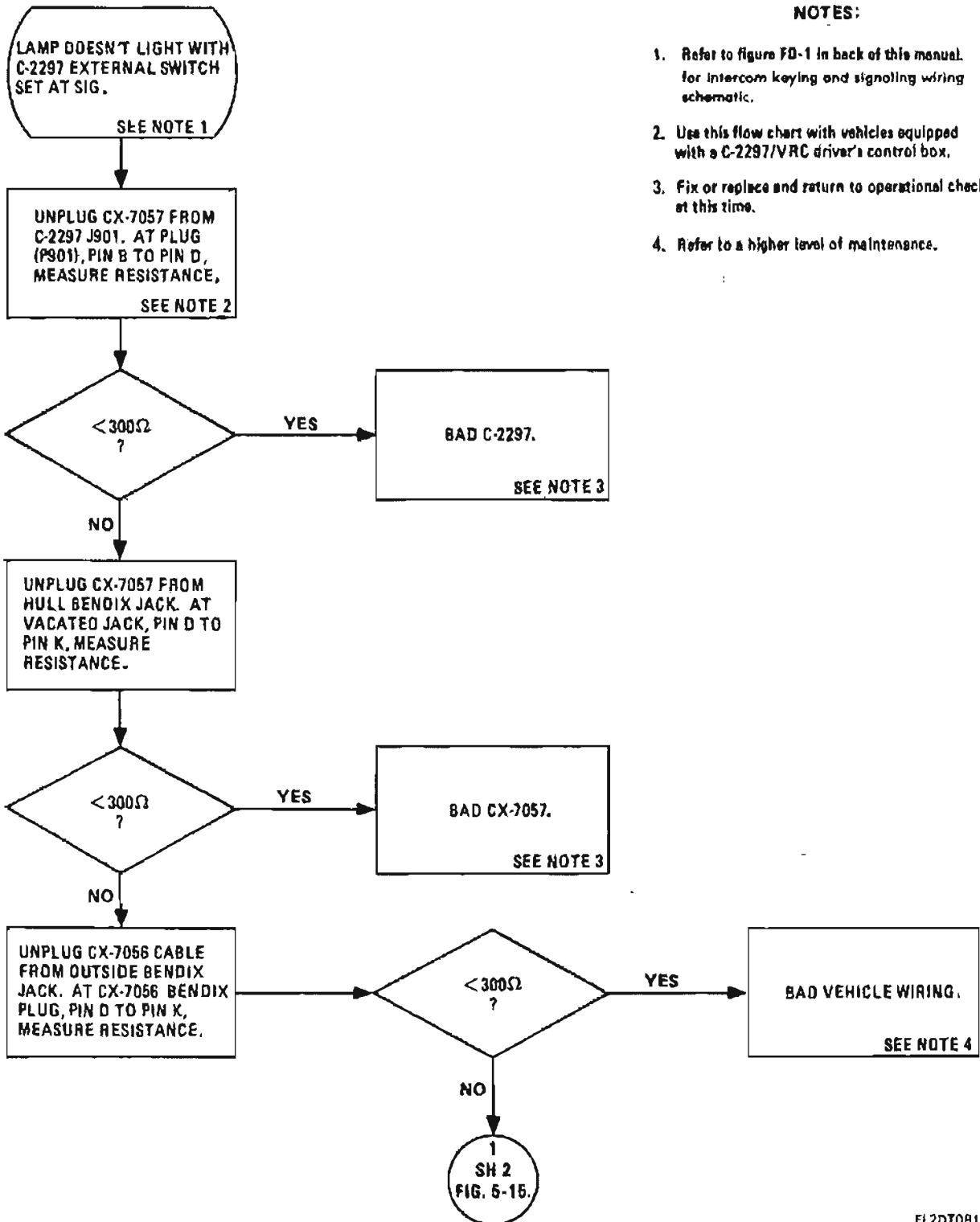
5-9. Troubleshooting Flow Charts – Continued



EL2DT080

Figure 5-14. Troubleshooting intercom power distribution circuits, adverse short (Sheet 2 of 2).

5-9. Troubleshooting Flow Charts – Continued



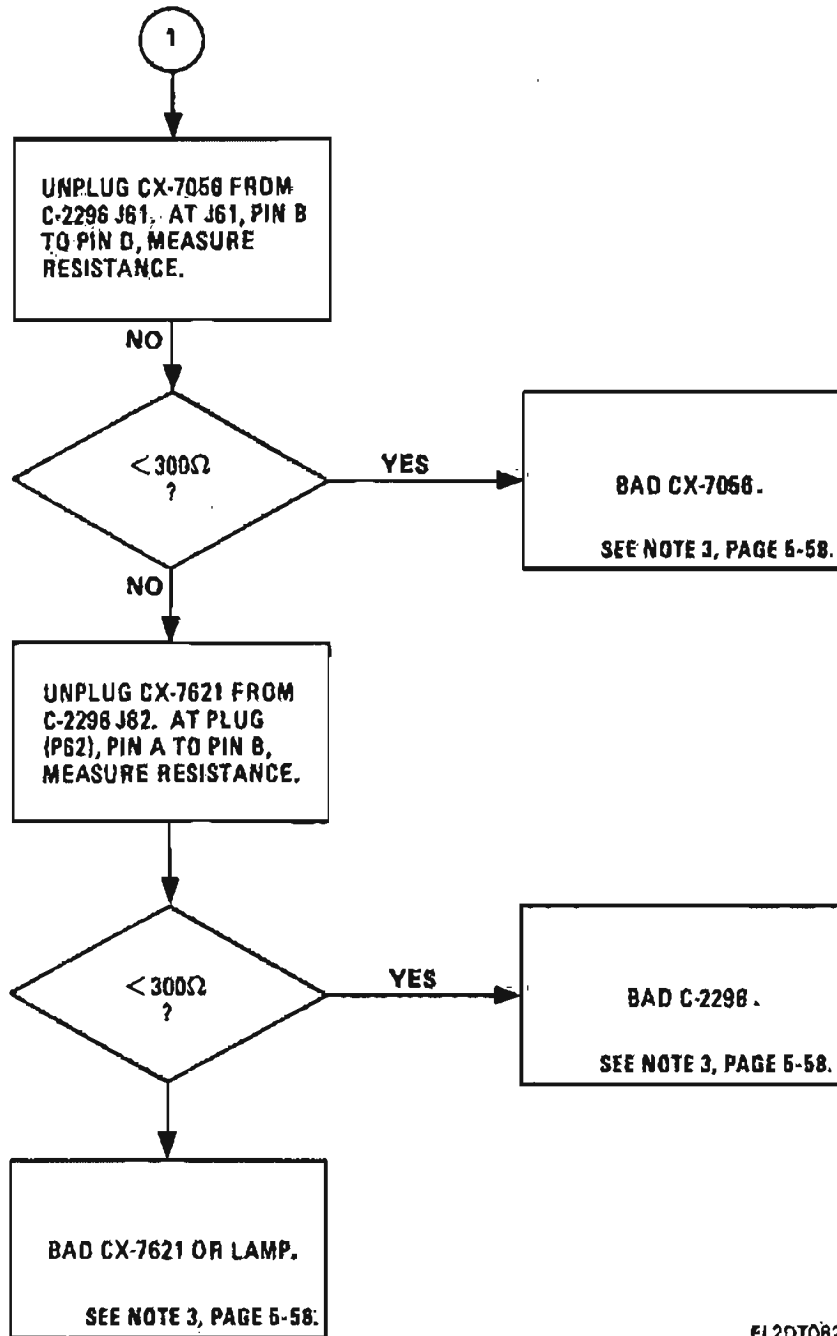
NOTES:

1. Refer to figure FD-1 in back of this manual for intercom keying and signaling wiring schematic.
2. Use this flow chart with vehicles equipped with a C-2297/VRC driver's control box.
3. Fix or replace and return to operational check at this time.
4. Refer to a higher level of maintenance.

Figure 5-15. Troubleshooting intercom keying and signaling circuit, adverse open (Sheet 1 of 2).

EL2DT081

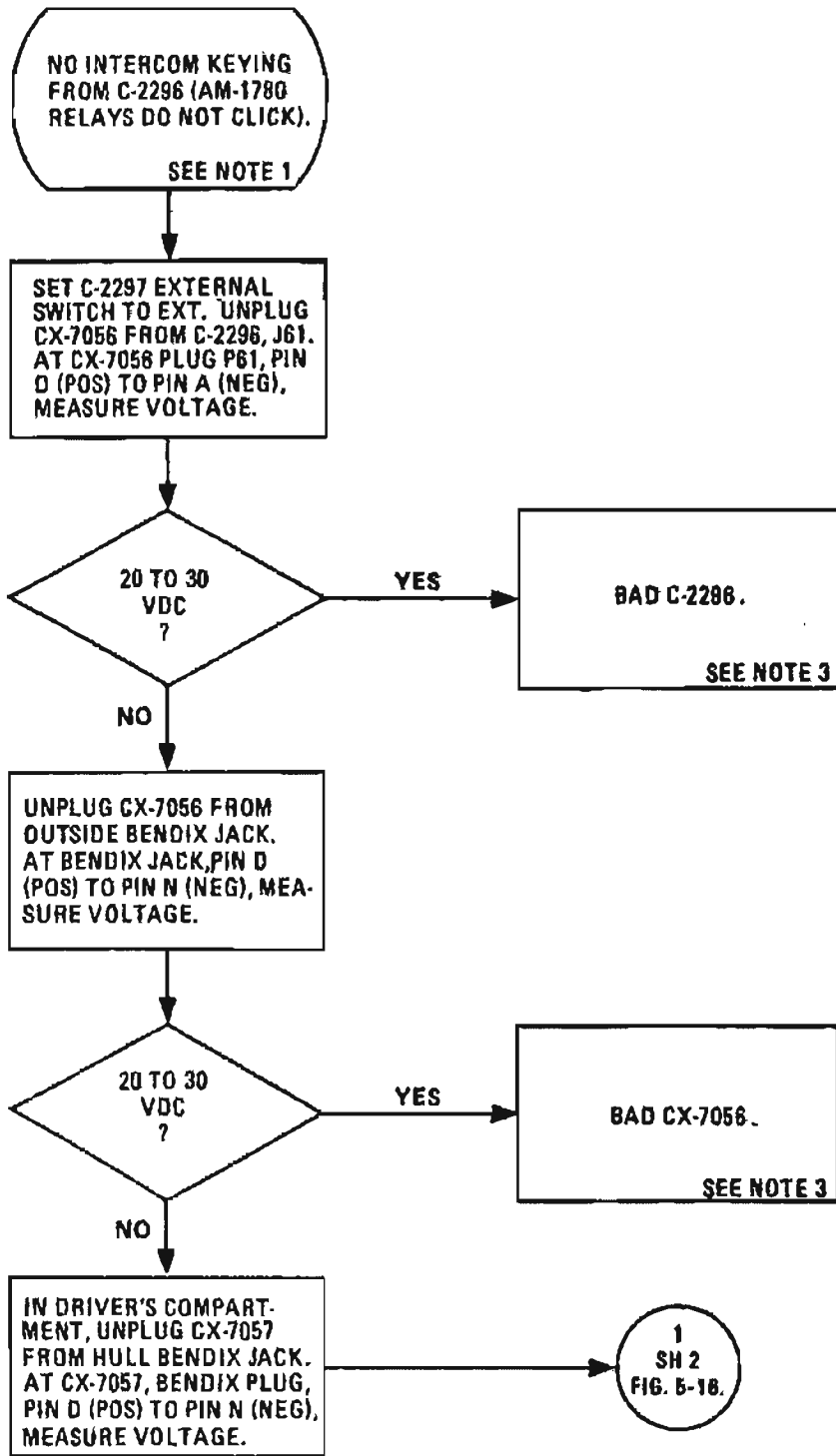
5-9. Troubleshooting Flow Charts – Continued



EL2DT082

Figure 5-15. Troubleshooting intercom keying and signaling circuit, adverse open (Sheet 2 of 2).

5-9. Troubleshooting Flow Charts - Continued



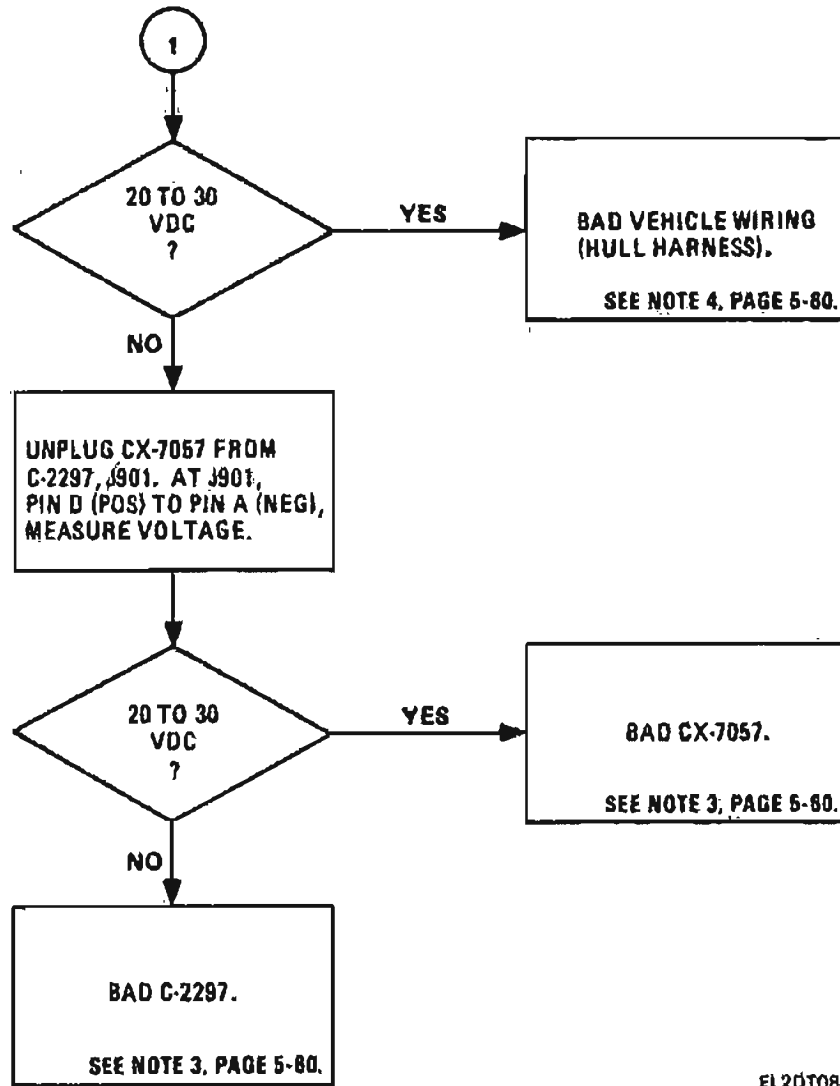
NOTES:

1. Refer to figures FO-1 in back of this manual.
2. Use this chart with vehicles equipped with a C-2297/VRC driver's control box and C-2296/VRC outside control box.
3. Fix or replace and return to operational check at this time.
4. Refer to higher maintenance level.

EL2DT083

Figure 5-16. Troubleshooting C-2296 intercom keying and signaling circuit, adverse open (Sheet 1 of 2).

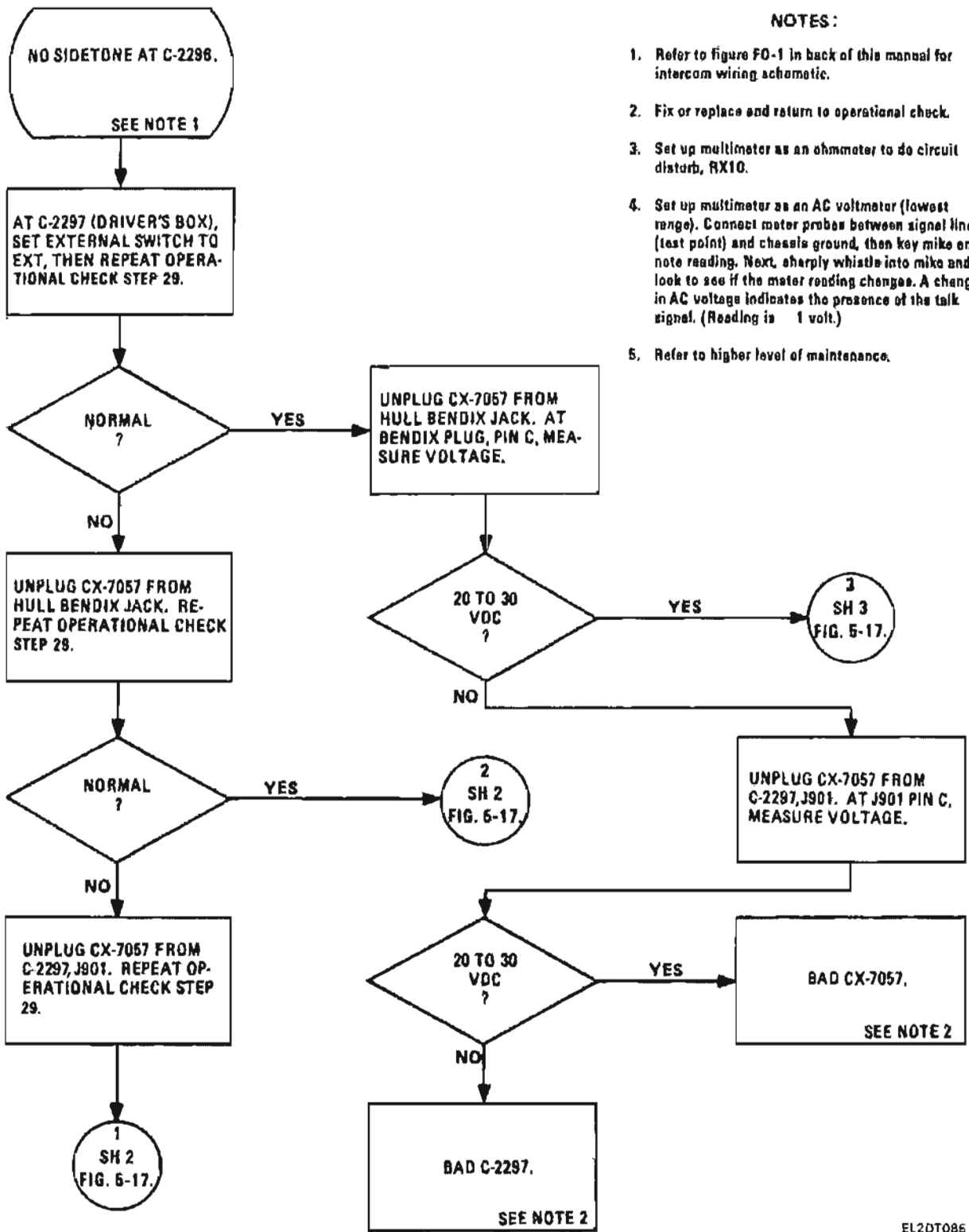
5-9. Troubleshooting Flow Charts - Continued



EL20T084

Figure 5-16. Troubleshooting C-2298 intercom keying and signaling circuit, adverse open (Sheet 2 of 2).

5-9. Troubleshooting Flow Charts - Continued



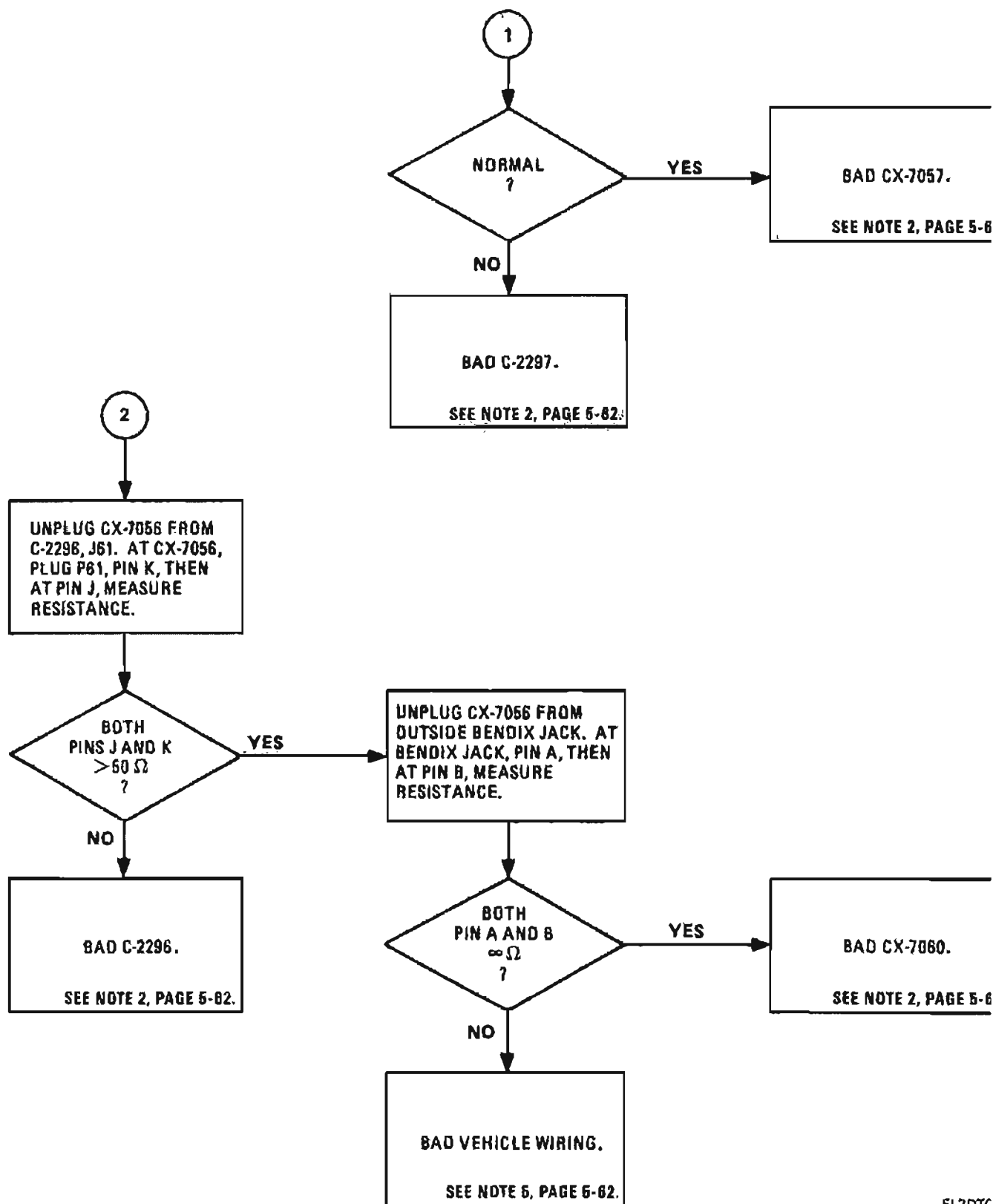
NOTES:

1. Refer to figure FO-1 in back of this manual for intercom wiring schematic.
2. Fix or replace and return to operational check.
3. Set up multimeter as an ohmmeter to do circuit disturb, RX10.
4. Set up multimeter as an AC voltmeter (lowest range). Connect meter probes between signal line (test point) and chassis ground, then key mike and note reading. Next, sharply whistle into mike and look to see if the meter reading changes. A change in AC voltage indicates the presence of the talk signal. (Reading is 1 volt)
5. Refer to higher level of maintenance.

EL2DT086

Figure 6-17. Troubleshooting intercom talk/listen circuit, adverse for all positions of MONITOR switch (Sheet 1 of 5).

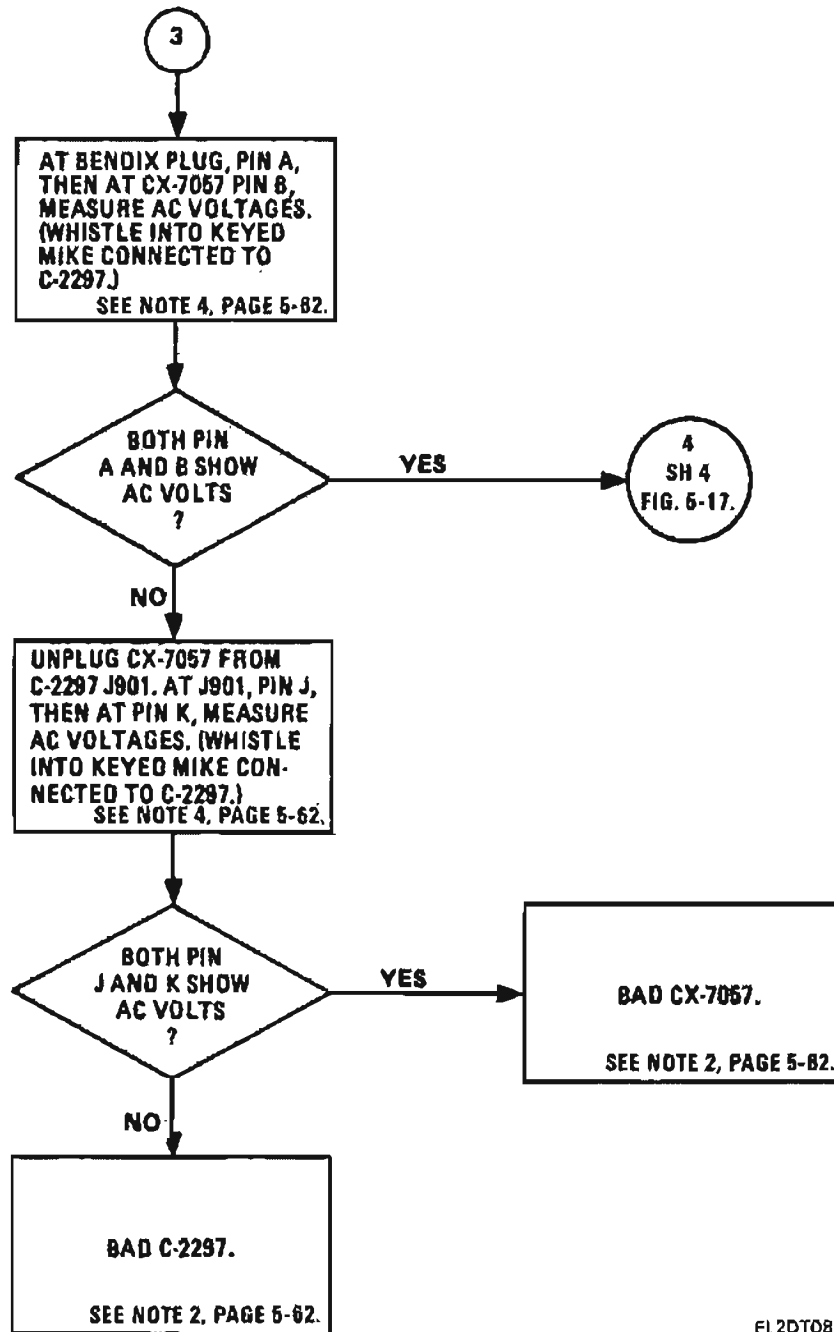
5-9. Troubleshooting Flow Charts - Continued



EL2DTC

Figure 5-17. Troubleshooting intercom talk/listen circuit, adverse for all positions of MONITOR switch (Sheet 2 of 5).

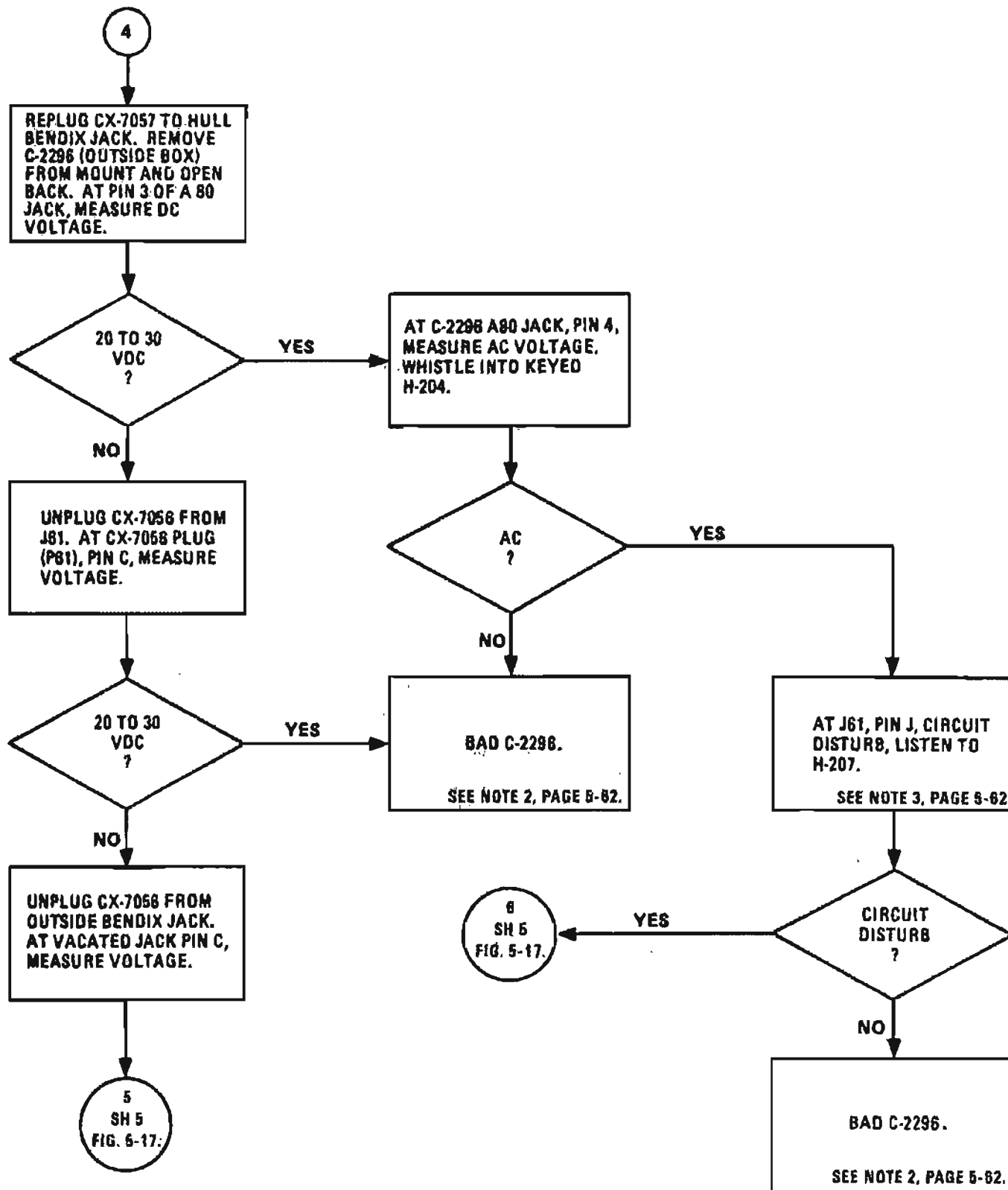
5-9. Troubleshooting Flow Charts - Continued



EL2DT087

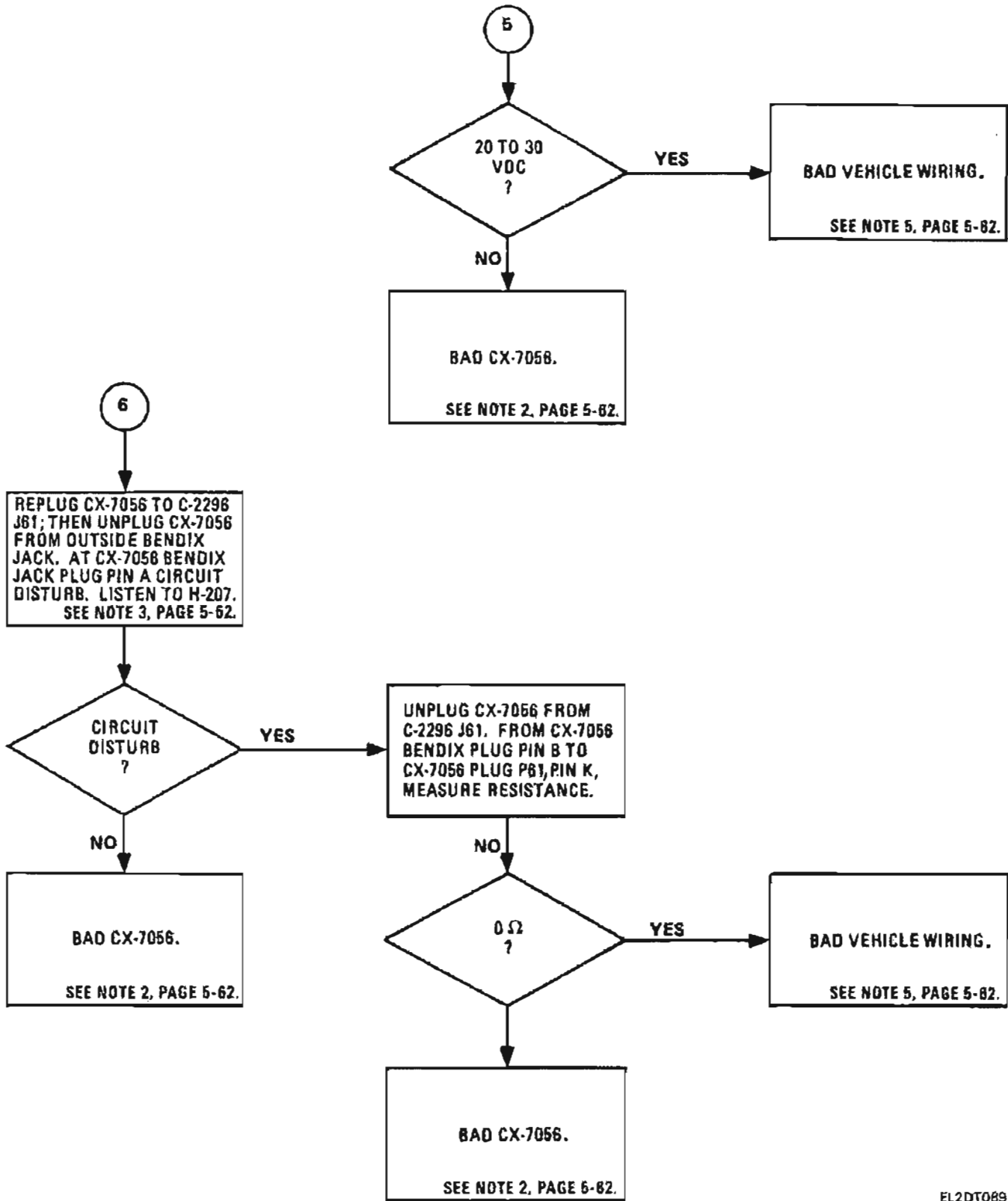
Figure 5-17. Troubleshooting intercom talk/listen circuit, adverse for all positions of MONITOR switch (Sheet 3 of 5).

5-9. Troubleshooting Flow Charts – Continued



EL2DT081

Figure 5-17. Troubleshooting intercom talk/listen circuit, adverse for all positions of MONITOR switch (Sheet 4 of 5).



EL2DT089

Figure 5-17. Troubleshooting intercom talk/listen circuit, adverse for all positions of MONITOR switch (Sheet 5 of 6).

5-10. Troubleshooting C-10456/VRC in Radio-Intercom System

C-10456/VRC troubleshooting procedures for radio-intercom system are the same as those for the C-2298/VRC. To use the procedures, perform the following operations, in turn, at each C-10456/VRC:

- a. Remove the remote keying control cable connected to the remote keying jack J805 (fig. 2-5).
- b. Secure the remote keying dummy plug P805 to J805.
- c. Operate the system. If the malfunction still exists, use the procedures outlined in the EPC.
- d. If the system now operates normally, connect each remote keying control cable to the associated C-10456/VRC. Test the system after each cable connection. When malfunction reoccurs, remove the last remote keying cable connected, replace the dummy plug, P805, on J805. If the system operates normally, defect is isolated to the remote keying cable and/or switch associated with the remote keying cable. Refer

to maintenance level for the vehicle for repair of the cable and/or switch.

5-11. Maintenance of AN/VIC-1(V) and Radio Intercom System

a. Repair of the AM-1780/VRC and control boxes includes replacing front panel knobs, indicator lamps, dust covers, and back cover assembly.

b. Parts for components of the radio intercom system (fig. 4-4 through 4-10), including the AN/VIC-1(V) are listed in SB 11-131 under the National stock number of the electronic equipment harness (para 1-10a(2)), accessory kits (para 1-10a(3)), and installation kit (para 1-10a(4) and (5)) applicable to the vehicle in which the equipment is installed. See also TM 11-5820-401-10-2-HR for listing of major components of the vehicle systems associated with the AN/VRC-12 series radios (para 1-6) and to TM 11-5820-498-12-HR for the major components of the vehicle systems associated with AN/VRC-53, -64, AN/GRC-125, and -160.

CHAPTER 6

MATERIEL USED IN CONJUNCTION WITH INTERCOMMUNICATION SET AN/VIC-1(V)

6-1. General

Refer to paragraph 1-10 for information covering equipment required to make the AN/VIC-1(V) operational.

6-2. Description of Radio System Equipment

a. AN/VRC-12 Series Radios. The AN/VRC-12 series radios include Radio Sets AN/VRC-12, and AN/VRC-43 through AN/VRC-49. Figure 4-7 shows AN/VRC-12 used with the AN/VIC-1(V); figure 4-8 shows AN/VRC-49 used with the AN/VIC-1(V). These radio sets provide short-range, two-way, radio-telephone communication in 30.00 through 75.95 MHz range using frequency-modulated (fm) transmission and reception. The receiver-transmitters of these radio sets can transmit on low (approximately 5 watts) and high (approximately 35 watts) rf power. Description and operation of the radios in conjunction with the AN/VIC-1(V) in the radio-intercom system are provided in TM 11-5820-401-10-2.

b. Radio Teletypewriter Set AN/VSC-3. When the AN/VSC-3, which includes Radio Set AN/GRC-106 or AN/GRC-106A, is used with the AN/VIC-1(V), it is connected to J503 of the AM-1780/VRC (fig. 4-7) as "C" radio. Operating procedures are provided in TM 11-5815-332-15.

c. Radio Sets AN/VRC-53, AN/VRC-64, AN/GRC-125, and AN/GRC-160. These radio set configurations are similar to AN/VRC-12 series radios (*a* above) except they transmit only on low power (approximately 5 watts maximum). Figure 4-9 shows AN/VRC-53 or AN/VRC-64 used with the AN/VIC-1(V). Description and operation of the radios in conjunction with the AN/VIC-1(V) in the radio-intercom system are provided in TM 11-5820-498-12.

6-3. Description of Audio Accessories

The following or equivalent audio accessories can be used with the radios and radio system equipment. Information on the use of the audio accessories is discussed in paragraph 2-8.

a. Hand Microphone. The microphone used with the equipment is Microphone, Dynamic (fig. 2-6). It has a push-to-talk switch, a microphone element behind which is a noise-cancelling element, and a retractile cord terminated in a five-pin connector.

b. Headsets. Typical headsets include Headsets, Electrical H-140A/U (TM 11-5965-260-24P) and H-251/U (fig. 2-6). The headsets have a pair of earphones separated by a spring-steel band and each

earphone assembly is provided with a rubber cushion to fit over the user's ears. A retractile cord is terminated in a five-pin connector.

c. Handsets. Typical handsets include Handsets H-250/U, H-189/GR (TM 11-5965-280-15), and H-138/GR (TM 11-5965-257-15). A handset includes a dynamic microphone, earphone, and a push-to-talk switch. A retractile cord is terminated in a five-pin connector.

d. Headset-Microphone. Typical headset-microphone is Headset-Microphone H-161/U (TM 11-5965-262-13) (fig. 2-6). It has a pair of earphones similar to those on the headsets (*b* above), and a dynamic microphone mounted on a boom that can be positioned in front of the user's lips. Neck and body bands are used to attach the switch assembly to the user's body. The switch assembly contains a three-position switch and a retractile cord, CX-8650(*)/GR, terminated in a pair of five-pin connectors. The retractile cord is connected to the switch assembly section by means of quick-disconnect connectors (bail-out connectors). In some installation kits, CX-8650(*)/GR may be replaced with longer retractile cord assemblies (para 2-6a).

e. Helmets with Installed Audio Accessories. Some crewmembers are issued their own size Combat Vehicle Crewmember (CVC) DH-132 Helmet (fig. 2-9) or Armored Vehicle Crewmember (AVC) DH-132A Helmet (fig. 2-8). The AVC helmet will be issued as a direct replacement for the CVC helmet. Each unit includes straps for adjusting the helmet to the user's head and for holding the earphones of the audio accessory. Maintenance of both helmets is provided in TM 10-8400-201-23. A typical audio accessory used in the CVC helmet is Headset-Microphone Kit MK-1039/G (TM 11-5965-282-15). A typical audio accessory used in the AVC helmet is Headset-Microphone Kit MK-1697/G (TM 11-5965-286-14). Each audio accessory has a switch assembly attached to the side of the helmet, earphones which are attached inside the helmet, a dynamic microphone mounted on a boom that can be positioned in front of the user's lips, and a retractile cord, CX-8650(*)/GR, with bail-out connectors, and terminated in a pair of five-pin connectors. In some installation kits, CX-8650(*)/GR may be replaced with longer retractile cord assemblies (para 2-6a).

f. Loudspeaker and Extension Cord. Typical loudspeaker available is Loudspeaker LS-454/U (fig. 2-7) (TM 11-5965-255-15P). It is provided with a cord terminated in a five-pin connector. The loudspeaker

case has a clamp to enable the unit to be mounted in a convenient place near the equipment. Cable Assembly, Special Purpose, Electrical CX-7867/VRC (of various lengths) can be used between the equipment and the loudspeaker to enable the loudspeaker to be located at a distance from the equipment.

6-4. Cable Assemblies Used With Radio Sets and Radio-Intercom Systems
(fig. 4-1)

Following are typical cable assemblies that may be used with the radios and radio-intercom system. Each cable assembly is available in various lengths suitable to the vehicle in which it is used (SB 11-131). Most of the cable assemblies are shown installed in figures 4-4 through 4-10.

a. *Cable Assembly, Special Purpose, Electrical CX-4722/VRC.* This cable assembly is the control cable between the receiver-transmitters and the antenna matching unit. It has two 12-terminal connectors; a male on one end and female on the other.

b. *Cable Assembly, Radio Frequency CG-1773/U.* This rf antenna cable assembly is used to connect the radio to the antenna. It is type RG-58/U cable terminated on one end with a right-angle BNC connector and on the other end with a straight BNC connector. An adapter UG-306/U is provided in some installations to provide less strain on the CG-1773/U in its position in the equipment.

c. *Cable Assembly, Radio Frequency CG-1127/U.* This is a short rf cable assembly used between two R-442(*)/VRCs. It is type RG-58/U terminated on both ends with a right-angle BNC connector.

d. *Cable Assembly, Special Purpose, Electrical CX-4723/VRC.* This cable is the type most commonly used throughout the radio-intercom system. It is terminated in 18-terminal male connectors at both ends.

e. *Cable Assembly, Special Purpose, Electrical CX-7056/VRC.* This cable has a nine-terminal male connector on one end and a 14-terminal male connector on the other.

f. *Cable Assembly, Special Purpose, Electrical CX-7057/VRC.* This cable has a 14-terminal female connector on one end and a nine-terminal male connector on the other.

g. *Cable Assembly, Special Purpose, Electrical CX-7058/VRC.* This cable has a nine-terminal male connector on each end.

h. *Cable Assembly, Special Purpose, Electrical CX-7059/VRC.* This cable has a 19-terminal male connector on one end and an 18-terminal male connector

on the other.

i. *Cable Assembly, Special Purpose, Electrical CX-7060/VRC.* This cable has an 18-terminal male connector on one end and a 14-terminal male connector on the other.

j. *Cable Assembly, Special Purpose, Electrical CX-7621/VRC.* This is a short two-wire cable terminated on one end with a four-terminal male connector attached to the C-2296/VRC and a pair of tinned wires on the other end to be attached to the external call lamp on the box containing the C-2296/VRC on the outside of some vehicles.

k. *Cable Assembly, Special Purpose, Electrical CX-9640/VRC.* This is a five-wire cable terminated on both ends with an 18-terminal male connector.

l. *Cable Assembly, Power, Electrical CX-4720/VRC* (fig. 4-11). This power cable is terminated on one end with a four-terminal female connector and on the other end the four wires are paired and tinned. The tinned pairs are connected to terminal lugs or a Bendix connector, as required for the installation of each particular vehicle.

m. *Cable Assembly, Power, Electrical CX-4721/VRC.* This power cable is terminated on one end with a four-terminal female connector and a four-terminal male connector on the other.

6-5. Power Supply PP-2953(*)/U

The PP-2953(*)/U (TM 11-6130-233-12) is used to provide regulated and filtered 27.2 volts dc from an ac power source. It may be used in fixed installations to provide power for radios or the AM-1780/VRC.

a. Ac power sources may be 115 volts, 50-60 Hz, 4 amperes maximum; 230 volts, 50-60 Hz, 2 amperes, maximum; and 115 volts, 400 Hz, 4 amperes, maximum.

b. The regulated 27.2 volts output (fixed; but variable to 22 volts dc output by internal control) is applied through CX-4721/VRC to the radio or J508 of AM-1780/VRC.

c. Transformer, Variable TF-523/U (TM 11-5950-212-15) can be used with the PP-2953(*)/U to provide controlled ac input when the ac power source voltage is beyond the ac input limits of the PP-2953(*)/U.

6-6. Electrical Transient Suppressor MX-7778(*)/GRC

The MX-7778(*)/GRC consists of suppressor MX-7777(*), Cable CX-10613, and all other items needed to complete the installation.

APPENDIX A REFERENCES

AR 65-38	Reporting of Transportation Discrepancies in Shipments (NAVSUPINST 4610.33C; AFR 75-18; MCO P4610.19D; DLAR 4500.15)
AR 735-11-2	Reporting of Item and Packaging Discrepancies (DLAR 4140.65; AFR 4355.73A; AFR 400-54; MCO 4430.3F)
DA Pam 310-1	Consolidated Index of Army Publications and Blank Forms.
DA Pam 738-750	The Army Maintenance Management System (TAMMS).
DA Pam 750-10	US Army Equipment Index of Modification Work Orders.
SB 11-131	Vehicular Radio Sets and Authorized Installations.
SB 11-573	Painting and Preservation Supplies Available for Field Use for Electronics Command Equipment.
SB 11-624	Warning Notice for Vehicles in Which Radios are Mounted.
TB 385-4	Safety Precautions for Maintenance of Electrical/Electronic Equipment.
TB 43-0118	Field Instructions for Painting and Preserving Electronic Command Equipment Including Camouflage Pattern Painting of Electrical Equipment Shelters.
TM 10-8400-201-23	Organizational and Direct Support Maintenance Manual: General Repair Procedures for Clothing and Individual Equipment.
TM 11-2300-372-14-2	Instructions for Installing Installation Kits, Electronic Equipment MK-1255/VIC-1(V), MK-1256/VIC-1(V), and MK-1257/VIC-1(V) in Truck, Cargo, 1 1/4 Ton, 6 X 6, M561 for Intercommunication Set AN/VIC-1(V).
TM 11-5815-332-15	Operator's, Organizational, Direct Support, General Support, and Depot Maintenance Manual: Radio Teletypewriter Set, AN/VSC-3 (NSN 5815-00-224-8130) and AN/VSC-3A (5815-01-102-6916) (Reprinted W/Basic Incl C1-10)
TM 11-5820-401-10-2	Operator's Manual, Radio Sets, AN/VRC-12 (NSN 5820-00-223-7412), AN/VRC-43 (5820-00-223-7415), AN/VRC-44 (5820-00-223-7417), AN/VRC-45 (5820-00-223-7418), AN/VRC-46 (5820-00-223-7433), AN/VRC-47 (5820-00-223-7434), AN/VRC-48 (5820-00-223-7435) and AN/VRC-49 (5820-00-223-7437) (Used with an Intercom System)
TM 11-5820-401-10-2-HR	Hand Receipt Manual Covering the End Item/Components of End Items (COEI), Basic Issue Items (BI) and Additional Authorization List (AAL) for Radio Sets, AN/VRC-12 (NSN 5820-00-223-7412), AN/VRC-43 (5820-00-223-7415), AN/VRC-44 (5820-00-223-7417), AN/VRC-45 (5820-00-223-7418), AN/VRC-46 (5820-00-223-7433), AN/VRC-47 (5820-00-223-7434), AN/VRC-48 (5820-00-223-7435), and AN/VRC-49 (5820-00-223-7437) (Used With Intercom System).
TM 11-5820-401-20-2	Organizational Maintenance Manual for Radio Sets, AN/VRC-12 (NSN 5820-00-223-7412), AN/VRC-43 (5820-00-7415), AN/VRC-44 (5820-00-223-7417), AN/VRC-45 (5820-00-223-7418), AN/VRC-46 (5820-00-223-7433), AN/VRC-47 (5820-00-223-7434), AN/VRC-48 (5820-00-223-7435) and AN/VRC-49 (5820-00-223-7437) (Used W/Intercom System, AN/VIC-1(V) (EE 150-JA-MMO-020/E 154-VRC-12, 43)
TM 11-5820-498-12	Operator's and Organizational Maintenance Manual: Radio Sets, AN/VRC-53 (NSN 5820-00-223-7467), AN/VRC-64 (5820-00-223-7475), AN/GRC-125 (5820-00-223-7411) and AN/GRC-160 (5820-00-223-7473) and Amplifier Power Supply Groups OA-3633/GRC and OA-3633A/GRC (5820-00-973-8383) (Reprinted W/Basic Incl C1-9)
TM 11-5820-498-12-HR	Hand Receipt Manual Covering End Item/Components of End Item (COEI), Basic Issue Items (BI), and Additional Authorization List (AAL) for Radio Sets, AN/VRC-53 (NSN 5820-00-223-7467), AN/VRC-63 (5820-00-223-7475), AN/GRC-125 (5820-00-223-7411) and AN/GRC-160 (5820-00-223-7473)

TM 11-5820-687-12 Operator's and Organizational Maintenance Manual: Radio Set AN/PRC-77 (NSN 5820-00-930-3724) (Including Receiver-Transmitter, Radio RT-841/PRC-77) (5820-00-930-3725) (Reprinted W/Basic Incl C1-8)

TM 11-5915-223-12 Operator's and Organizational Maintenance Manual Including Repair Parts and Special Tools Lists: Suppressor, Electrical Transient MX-7778/GRC (NSN 5915-00-937-9564).

TM 11-6916-224-14 Operator's, Organizational, Direct Support, and General Support Maintenance Manual Including Repair Parts and Special Tools List: Suppressor, Electrical Transient MX-778A/GRC (NSN 5915-00-413-6718).

TM 11-5950-212-15 Operator's, Organizational, DS, GS, and Depot Maintenance Manual Including Repair Parts and Special Tools Lists: Transformer, Variable Power TF-523/U (NSN 5950-00-926-0742).

TM 11-5965-255-14P Operator, Organizational, Direct and General Support Maintenance Repair Parts and Special Tools Lists (Including Depot Maintenance Repair Parts and Special Tools): Loudspeaker, Permanent Magnet LS-464/U (NSN 5965-00-892-3538).

TM 11-5965-257-15 Operator's Organizational, Direct Support, General Support, and Depot Maintenance Manual Including Repair Parts and Special Tools Lists: Handset H-138/U (NSN 5965-00-892-0972).

TM 11-5965-260-24P Organizational, Direct Support, and General Support Maintenance Repair Parts and Special Tools Lists (Including Depot Maintenance Repair Parts and Special Tools): Headset, Electrical H-140A/U (NSN 5965-00-892-0972).

TM 11-5965-282-13 Organizational and DS Maintenance Manual Including Repair Parts and Special Tool Lists: Headset-Microphones H-161/U and H0161A/U (NSN 5965-00-082-4037 and 5965-00-824-4871).

TM 11-5965-280-15 Operator's, Organizational, Direct Support, General Support, and Depot Maintenance Manual (Including Repair Parts and Special Tools List): Handset, H-189/GR (NSN 5965-00-089-8886).

TM 11-5965-282-15 Organizational, DS, GS, and Depot Maintenance Manual Including Repair Parts and Special Tool Lists: Headset-Microphone Kit MK-1039/G.

TM 11-5965-286-14 Operator's, Organizational, Direct Support, and General Support Maintenance Manual: Headset-Microphone Kit MK-1697/G (NSN 5965-00-313-8958).

TM 11-5965-286-23P Organizational and Direct Support Maintenance Repair Parts and Special Tools Lists for Headset-Microphone Kit MK-1697/G (NSN 5965-00-313-8958).

TM 11-6130-233-12 Operator's and Organizational Maintenance Manual: Power Supplies, PP-2953/U, PP-2953A/U, PP-2953B/U and PP-2953C/U (NSN 6130-00-985-7899).

TM 11-8625-203-12 Operator's and Organizational Maintenance Manual for Multimeters, AN/URM-105 and AN/URM-105C (Including Multimeter ME 77/U)

TM 740-90-1 Administrative Storage of Equipment.

TM 750-244-2 Procedures for Destruction of Electronics Materiel to Prevent Enemy Use (Electronics Command)

APPENDIX B

MAINTENANCE ALLOCATION

Section I. INTRODUCTION

B-1. General

This appendix provides a summary of the maintenance operations for the AN/VIC-1(V). It authorizes categories of maintenance for specific maintenance functions on repairable items and components and the tools and equipment required to perform each function. This appendix may be used as an aid in planning maintenance operations.

B-2. Maintenance Function

Maintenance functions will be limited to and defined as follows:

a. Inspect. To determine the serviceability of an item by comparing its physical, mechanical, and/or electrical characteristics with established standards through examination.

b. Test. To verify serviceability and to detect incipient failure by measuring the mechanical or electrical characteristics of an item and comparing those characteristics with prescribed standards.

c. Service. Operations required periodically to keep an item in proper operating condition; i.e., to clean, preserve, drain, paint, or to replenish fuel/lubricants/hydraulic fluids or compressed air supplies.

d. Adjust. Maintain within prescribed limits by bringing into proper or exact position, or by setting the operating characteristics to the specified parameters.

e. Aline. To adjust specific variable elements of an item to about optimum or desired performance.

f. Calibrate. To determine and cause corrections to be made or to be adjusted on instruments or test measuring and diagnostic equipment used in precision measurement. Consists of the comparison of two instruments, one of which is a certified standard of known accuracy, to detect and adjust any discrepancy in the accuracy of the instrument being compared.

g. Install. The act of emplacing, seating, or fixing into position an item, part, module (component or assembly) in a manner to allow the proper functioning of the equipment/system.

h. Replace. The act of substituting a serviceable like-type part, subassembly, model (component or assembly) for an unserviceable counterpart.

i. Repair. The application of maintenance services (inspect, test, service, adjust, aline, calibrate, replace) or other maintenance actions (welding, grinding, riveting, straightening, facing, remachining, or resurfacing) to restore serviceability to an item by correcting

specific damage, fault, malfunction, or failure in a part, subassembly, module/component/assembly, end item or system. This function does not include the trial and error replacement of running spare type items such as fuses, lamps, or electron tubes.

j. Overhaul. That periodic maintenance effort (service/action) necessary to restore an item to a completely serviceable/operational condition as prescribed by maintenance standards in appropriate technical publications. Overhaul is normally the highest degree of maintenance performed by the Army. Overhaul does not normally return an item to like-new condition.

k. Rebuild. Consists of those services/actions necessary for the restoration of unserviceable equipment to a like-new condition in accordance with original manufacturing standards. Rebuild is the highest degree of material maintenance applied to Army equipment. The rebuild operation includes the act of returning to zero those age measurements (hours, miles, etc.) considered in classifying Army equipment/components.

B-3. Column Entries

a. Column 1, Group Number. Column 1 lists group numbers, the purpose of which is to identify components, assemblies, subassemblies and modules with the next higher assembly.

b. Column 2, Component/Assembly. Column 2 contains the noun names of components, assemblies, subassemblies, and modules for which maintenance is authorized.

c. Column 3, Maintenance Functions. Column 3 lists the functions to be performed on the item listed in column 2. When items are listed without maintenance functions, it is solely for purpose of having the group numbers in the MAC and RPSTL coincide.

d. Column 4, Maintenance Category. Column 4 specifies, by the listing of a "worktime" figure in the appropriate subcolumn(s), the lowest level of maintenance authorized to perform the function listed in column 3. This figure represents the active time required to perform that maintenance function at the indicated category of maintenance. If the number or complexity of the tasks within the listed maintenance function varies at different maintenance categories, appropriate "worktime" figure will be shown for each

category. The number of man-hours specified by the "worktime" figure represents the average time required to restore an item (assembly, subassembly, component, module, end item or system) to a serviceable condition under typical field operating conditions. This time includes preparation time, troubleshooting time and quality assurance/quality control time in addition to the time required to perform the specific tasks identified for the maintenance functions authorized in the maintenance allocation chart. If an intermediate facility (L) is not available, this category of maintenance will be accomplished at depot. If an intermediate facility (L) has been designated, the maintenance information required to perform this category of maintenance will be provided in the DMWR. Subcolumns of column 4 are as follows:

- C-Operator/Crew
- O-Organizational
- F-Direct Support
- H-General Support
- D-Depot

e. *Column 5, Tools and Equipment.* Column 5 specifies by code, those common tool sets (not

individual tools) and special tools, test, and support equipment required to perform the designated function.

B-4. Tool and Test Equipment Requirements (Table 1)

a. *Tool or Test Equipment Reference Code.* The numbers in this column coincide with the numbers used in the tools and equipment column of the MAC. The numbers indicate the applicable tool or test equipment for the maintenance functions.

b. *Maintenance Category.* The codes in this column indicate the maintenance category allocated the tool or test equipment.

c. *Nomenclature.* This column lists the noun name and nomenclature of the tools and test equipment required to perform the maintenance functions.

d. *National/NATO Stock Number.* This column lists the National/NATO stock number of the specific tool or test equipment.

e. *Tool Number.* This column lists the manufacturer's part number of the tool followed by the Federal Supply Code for Manufacturers (5-digit) in parentheses.

**SECTION III. TOOL AND TEST EQUIPMENT REQUIREMENTS
FOR**

INTERCOMMUNICATION SET AN/VIC-1(V)

TOOL OR TEST EQUIPMENT REF CODE	MAINTENANCE CATEGORY	NOMENCLATURE	NATIONAL/NATO STOCK NUMBER	TOOL NUMBER
1	O	Multimeter, AN/URM-105	6625-00-581-2036	
2	O	Tool Kit, Electronic Equipment TK-101/G	5180-00-064-5178	
3	F	Tool Kit, Electronic Equipment TK-100/G	5180-00-605-0079	
4	F	Multimeter TS-352B/U	6625-00-999-7465	
5	F	Power Supply PP-1104/G	6130-00-542-8385	
6	F	Signal Generator AN/URM-127	6625-00-783-5965	
7	F	Spectrum Analyzer TS-723/U	6625-00-668-9418	
8	F	Voltmeter, Electronic ME-30/U	6625-00-643-1670	
9	F	Oscilloscope AN/USM-281A	6625-00-228-2201	
10	F	Test Cable Number 1	6625-00-880-6149	
11	F	Test Cable Number 2	6625-00-880-5209	
12	F	Cable Assembly CG-1471/U (3 FT)	6625-00-880-8081	
13	F	Test Box (Locally Fabricated) (Optional)	None	
14	F	Receiver-Transmitter, Radio RT-524/VRC	5820-00-892-0622	
15	F	Mounting MT-1029()/VRC	5820-00-893-1323	
16	F	RF Wattmeter AN/URM-120	6625-00-790-2746	
17	F	Control, Intercommunication C-229/VRC, C-2298/VRC, C-2296/VRC	5820-00-892-3338 5820-00-892-3339 5820-00-892-3337	
18	F	Cable Assembly, Special Purpose, Electrical CX-4723/VRC (5 FT)	5995-00-823-2833	
19	F	Cable Assembly, Power Electrical CX-4720/VRC (10 FT)	5995-00-823-2726	
20	F	Radio Test Set AN/GRM-114A (When issued replaces items 6, 7, 8 and 16.)	6625-01-114-4481	
21	O,F	Digital Multimeter AN/PSM-45 (When issued will replace items 1 and 4.)	6625-01-139-2512	
22	F	Oscilloscope AN/USM-488 (When issued will replace item 9.)	6625-01-187-7848	

SECTION IV. REMARKS

REFERENCE CODE	REMARKS
A	Preventive Maintenance
B	Operational Test
C	Major Component or Cable Replacement
D	All Tests
E	Inter Phone Amplifier
F	Replace Lamp, Knobs, Covers
G	All Repairs - not to include plug-in modules
H	C-10456/VRC, C-10680/VRC are Modified C-2298/VRC
I	AM-7046/VRC is a Modified AM-1780/VRC

RECOMMENDED CHANGES TO EQUIPMENT TECHNICAL PUBLICATIONS



THEN JOT DOWN THE DOPE ABOUT IT ON THIS FORM. CAREFULLY TEAR IT OUT, FOLD IT AND DROP IT IN THE MAIL.

SOMETHING WRONG WITH THIS PUBLICATION?

FROM (PRINT YOUR UNIT'S COMPLETE ADDRESS)
 Commander
 Stateside Army Depot
 ATTN: AMSTA-US
 Stateside, N.J. 07703

DATE SENT 10 July 1975

PUBLICATION NUMBER

TN 11-5840-340-12

PUBLICATION DATE

23 Jan 74

PUBLICATION TITLE

Radar Set AN/PRC-76

BE EXACT PIN-POINT WHERE IT IS

PAGE NO	PARA. GRAPH	FIGURE NO	TABLE NO
---------	-------------	-----------	----------

2-25	2-28		
3-10	3-3		3-1
5-6	5-8		

F03

IN THIS SPACE TELL WHAT IS WRONG AND WHAT SHOULD BE DONE ABOUT IT:

Recommend that the installation antenna alignment procedure be changed throughout to specify a 2° IFF antenna lag rather than 1°.

REASON: Experience has shown that with only a 1° lag, the antenna servo system is too sensitive to wind gusting in excess of 25 knots, and has a tendency to rapidly accelerate and decelerate as it hunts, causing strain to the drive train. Hunting is minimized by adjusting the lag to 2° without degradation of operation.

Item 5, Function column. Change "2 db" to "3db."

REASON: The adjustment procedure the the TRANS POWER FAULT indicator calls for a 3 db (500 watts) adjustment to light the TRANS POWER FAULT indicator.

Add new step f.1 to read, "Replace cover plate removed step e.1, above."

REASON: To replace the cover plate.

Zone C 3. On J1-2, change "+24 VDC to "+5 VDC."

REASON: This is the output line of the 5 VDC power supply. +24 VDC is the input voltage.

PRINTED NAME GRADE OR TITLE AND TELEPHONE NUMBER

SSG I. M. DeSpirito 999-1776

SIGN HERE

FILL IN YOUR
UNIT'S ADDRESS.

FOLD BACK

DEPARTMENT OF THE ARMY

POSTAGE AND FEES PAID
DEPARTMENT OF THE ARMY
DOD 314



OFFICIAL BUSINESS
PENALTY FOR PRIVATE USE \$300

SAMPLE

Commander
U.S. Army Communications-Electronics Command
and Fort Monmouth
ATTN: AMSEL-ME-MP
Fort Monmouth, New Jersey 07703-5007

FILL IN YOUR
UNIT'S ADDRESS

FOLD BACK

DEPARTMENT OF THE ARMY

OFFICIAL BUSINESS
PENALTY FOR PRIVATE USE, \$300

POSTAGE AND FEES PAID
DEPARTMENT OF THE ARMY
DOD-314



Commander
US Army Communications
Electronics Command and Fort Monmouth
ATTN: AMSEL-ME-MP
Fort Monmouth, New Jersey 07703-5007

FOLD BACK

RECOMMENDED CHANGES TO EQUIPMENT TECHNICAL PUBLICATIONS



THEN JOT DOWN THE DOPE ABOUT IT ON THIS FORM. CAREFULLY TEAR IT OUT. FOLD IT AND DROP IT IN THE MAIL.

SOMETHING WRONG WITH THIS PUBLICATION?

FROM (PRINT YOUR UNIT'S COMPLETE ADDRESS)

DATE SENT

PUBLICATION NUMBER

TM 11-5830-340-12

PUBLICATION DATE

15 Jan 86

PUBLICATION TITLE Operator's and Organizational Maintenance Manual, AN/VIC-1(V)

BE EXACT PIN-POINT WHERE IT IS

PAGE NO

PARA GRAPH

FIGURE NO

TABLE NO

IN THIS SPACE TELL WHAT IS WRONG AND WHAT SHOULD BE DONE ABOUT IT:

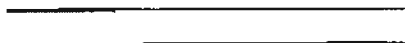
PRINT NAME GRADE OR TITLE AND TELEPHONE NUMBER

SIGN HERE

FILL IN YOUR
UNIT'S ADDRESS

FOLD BACK

DEPARTMENT OF THE ARMY



OFFICIAL BUSINESS

PENALTY FOR PRIVATE USE, \$300

POSTAGE AND FEES PAID
DEPARTMENT OF THE ARMY
DDO-314



Commander
US Army Communications
Electronics Command and Fort Monmouth
ATTN: AMSEL-ME-MP
Fort Monmouth, New Jersey 07703-5007

FOLD BACK

RECOMMENDED CHANGES TO EQUIPMENT TECHNICAL PUBLICATIONS



THEN JOT DOWN THE DOPE ABOUT IT ON THIS FORM. CAREFULLY TEAR IT OUT. FOLD IT AND DROP IT IN THE MAIL.

SOMETHING WRONG WITH THIS PUBLICATION?

FROM (PRINT YOUR UNIT'S COMPLETE ADDRESS)

DATE SENT

PUBLICATION NUMBER

TM 11-5830-340-12

PUBLICATION DATE

15 Jan 86

PUBLICATION TITLE **Operator's and Organizational Maintenance Manual, AN/VIC-1(V)**

BE EXACT PIN-POINT WHERE IT IS

PAGE NO

PARA GRAPH

FIGURE NO

TABLE NO

IN THIS SPACE TELL WHAT IS WRONG AND WHAT SHOULD BE DONE ABOUT IT:

IT IS CONC. PERIODICITY

PRINT NAME GRADE OR TITLE AND TELEPHONE NUMBER

SIGN HERE

FILL IN YOUR
UNIT'S ADDRESS



FOLD BACK

DEPARTMENT OF THE ARMY



OFFICIAL BUSINESS

PENALTY FOR PRIVATE USE, \$300

POSTAGE AND FEES PAID
DEPARTMENT OF THE ARMY
DOD-314



Commander
US Army Communications
Electronics Command and Fort Monmouth
ATTN: AMSEL-ME-MP
Fort Monmouth, New Jersey 07703-5007

FOLD BACK

TEAR ALONG BOTTOM LINE

By Order of the Secretary of the Army:

JOHN A. WICKHAM JR.
General, United States Army
Chief of Staff

Official:

MILDRED E. HEDBERG
Brigadier General, United States Army
The Adjutant General

DISTRIBUTION:

To be distributed in accordance with DA Form 12-51 literature requirements for AN/VIC-1(V).

Change
No. 1

HEADQUARTERS
DEPARTMENT OF THE ARMY
Washington, DC, 1 December 1987

**OPERATOR'S AND ORGANIZATIONAL MAINTENANCE MANUAL
INTERCOMMUNICATION SET AN/VIC-1(V) (NSN 5830-00-856-3273),
CONTROL, INTERCOMMUNICATION SETS C-10456/VRC (NSN 5830-01-082-0804)
AND C-10680/VRC AND AMPLIFIER, AUDIO FREQUENCY AM-7046/VRC**

TM 11-5830-340-12, 15 January 1986, is changed as follows:

1. Remove old pages and insert new pages as indicated below. New or changed material is indicated by a vertical bar in the margin of the page. Added or revised illustrations are indicated by a vertical bar adjacent to the identification number.

<i>Remove pages</i>	<i>Insert pages</i>
1-1 through 1-6.....	1-1 through 1-6
2-13 and 2-14.....	2-13 and 2-14
5-5 and 5-6.....	5-5 and 5-6
B-3 through B-5/(B-6 blank).....	B-3 through B-5/(B-6 blank)

2. File this change sheet in the front of the publication for reference purposes.

Distribution authorized to the Department of Defense and DOD contractors only for official use or for administration or operational purposes. This determination was made on 31 August 1987. Other requests for this document will be referred to Commander, US Army Communications-Electronics Command and Fort Monmouth, ATTN: AMSEL-ME-P, Fort Monmouth, NJ 07703-5000.

DESTRUCTION NOTICE— Destroy by any method that will prevent disclosure of contents or reconstruction of the document.

By Order of the Secretary of the Army:

Official:

CARL E. VUONO
General, United States Army
Chief of Staff

R.L. DILWORTH
Brigadier General, United States Army
The Adjutant General

DISTRIBUTION:

To be distributed in accordance with DA Form 12-51 literature requirements for AN/VIC-1(V).

CHAPTER 1 INTRODUCTION

Section I. GENERAL

1-1. Scope

a. *General.* This manual provides operator and organizational maintenance instructions for Intercommunication Set AN/VIC-1(V). It also provides instructions for Control, Intercommunication Set C-10456/VRC (used in M1 Tank (Abrams) and C-10680/VRC) (used in M113A1 Fire Support Team Vehicle), and Amplifier, Audio Frequency AM-7046/VRC (used with C-10680/VRC).

b. *Official Nomenclature.* Official nomenclature followed by (*) indicates all models of the equipment.

c. *Common Names.* Throughout this manual, the following common names are used to indicate equipment. (See listing below.)

d. *Controls and Audio Frequency Amplifiers.*

(1) All references to AN/VIC-1(V) and components of AN/VIC-1(V) (fig. 1-1) apply to the C-10456/VRC and C-10680/VRC (which are similar in appearance and performance to the C-2298/VRC).

(2) All reference to the AM-1780/VRC also applies to the AM-1780A/VRC and the AM-7046/VRC, unless otherwise indicated.

e. Crewmembers are provided with Combat Vehicle Crewmember (CVC) Helmet (fig. 2-8) or Armored Vehicle Crewmember (AVC) Helmet (fig. 2-8) for use in combat vehicles. In APCs, command posts, etc., crewmembers are provided with headset-microphone sets, microphones, and headsets.

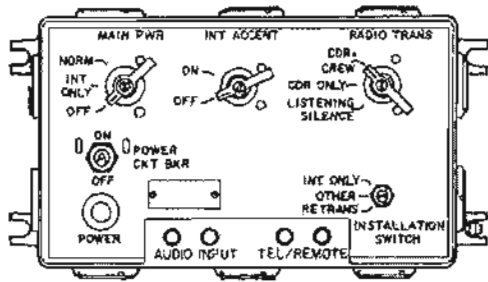
f. The AM-1780/VRC and AM-7046/VRC can be connected through field wires to a telephone to enable the telephone users to communicate with the crewmembers.

g. Control, Intercommunication Set C-10456/VRC is used in M1 Tank (Abrams) (TM 9-2350-355-10). It is similar to the C-2298/VRC except that it is provided with a remote keying connector, J805/P805 (fig. 2-5) to enable certain crewmembers to use the remote keying controls/switches provided in the M1 Tank. Thus, the crewmember can key the radio or intercom using the foot or thumb switch instead of the switch on the crewmember's helmet.

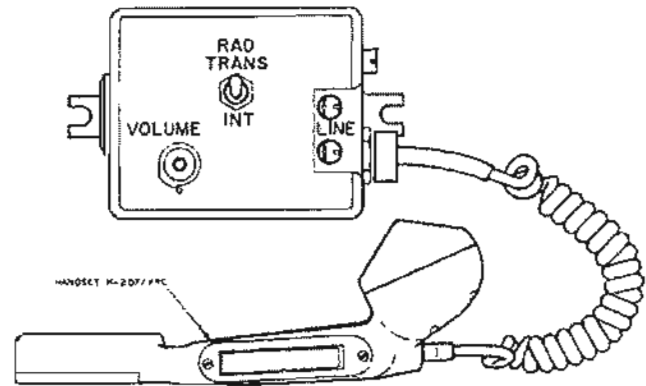
h. Control, Intercommunication Set C-10680/VRC and Amplifier, Audio Frequency, AM-7046/VRC are used in Interim Fighting Support Team Vehicle (IFIST) M113A1 (fig. 4-10). The AM-7046/VRC is similar to the AM-1780/VRC in appearance and performance; the C-10680/VRC is similar in appearance and performance to the C-2298/VRC.

i. Filter, Dc Power, F-1416/VRC is provided in Howitzer M109, A1, A2 to filter the dc power applied to the driver's control box through vehicle wiring (fig. 4-5 and 4-6).

<i>Item</i>	<i>Common name</i>	<i>Reference</i>
Radio Sets AN/VRC-12 and AN/VRC-43 through AN/VRC-49	AN/VRC-12 series radios	TM 11-5820-401-10-2, TM 11-5820-401-20-2
Receiver-Transmitters, Radio RT-2461(*)/VRC and RT-524(*)/VRC (Part of AN/VRC-12 and AN/VRC-43 through AN/VRC-49)	Receiver-transmitters	TM 11-5820-401-10-2, TM 11-5820-401-20-2
Receiver-Transmitters, Radio RT-841/PRC-77 (Part of Radio Sets AN/VRC-64 and AN/GRC-160)	Receiver-transmitter	TM 11-5820-498-12, TM 11-5820-667-12
Intercommunication Set AN/VIC-1(V), with radio	Radio-intercom system	Paragraph 1-8c.
Intercommunication Set AN/VIC-1(V), without radio	Intercom set	Paragraph 1-12
Amplifier, Audio Frequency AM-1780/VRC	AM-1780/VRC	Paragraph 1-11a.
Suppressor, Electrical Transient MX-7778(*)/GRC	Suppressor	Paragraph 1-12
Controls, Intercommunication Set C-2296/VRC, C-2297/VRC, C-2298/VRC, C-10680/VRC	Control box(es)	Paragraph 1-11b.
Microphone, Dynamic M-80/U; Headsets H-140/U and H-251/U; Headset-Microphone H-161/U; Loudspeaker LS-454/U; and CVC Helmet	Audio accessories	Paragraph 6-3
Helmet, Combat Vehicle Crewmember (CVC) DH-132 with Headset-Microphone Kit MK-1039/G installed or Helmet, Armored Vehicle Crewmember (AVC) DH-132A with Headset-Microphone Kit MK-1697/G installed	CVC helmet/AVC helmet	Paragraph 6-3e.
Mountings MT-1029/VRC and MT-1898/VRC	Radio mounts	TM 11-5820-401-10-2, TM 11-5820-401-20-2,



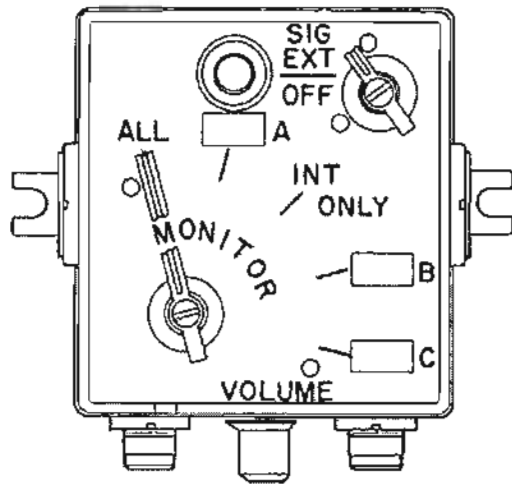
A. AMPLIFIER, AUDIO FREQUENCY,
AM-1780/VRC OR AM-7046/VCR



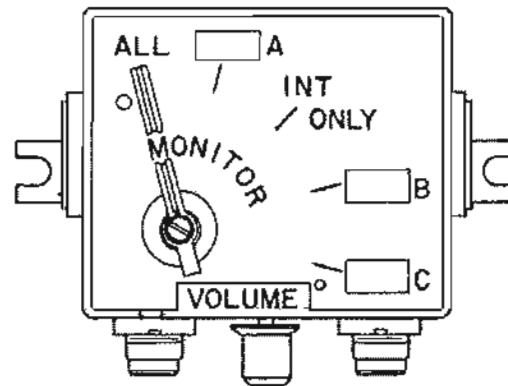
B. CONTROL, INTERCOMMUNICATION
SET, C-2296/VRC



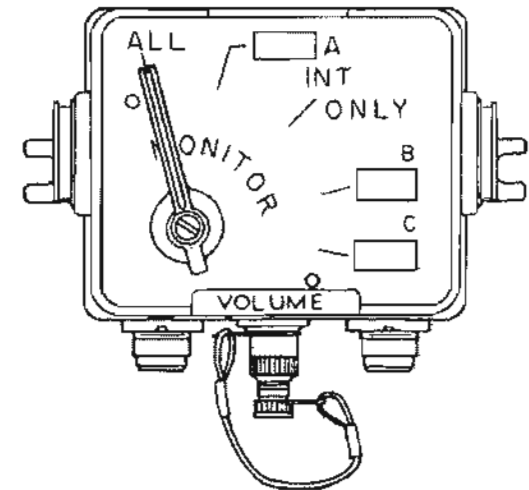
F. DUST CAP



C. CONTROL, INTER-
COMMUNICATION
SET, C-2297/VRC



D. CONTROL, INTER-
COMMUNICATION
SET, C-2298/VRC
OR C-10680



E. CONTROL, INTER-
COMMUNICATION
SET, C-10456/VRC EL2DT001

Figure 1-1. Intercommunication Set AN/VIC-1(V).

1-2. Maintenance Forms, Records, and Reports

a. Reports of Maintenance and Unsatisfactory Equipment. Department of the Army forms and procedures used for equipment maintenance will be those prescribed by DA Pam 738-750 as contained in Maintenance Management Update.

b. Report of Packaging and Handling Deficiencies. Fill out and forward SF 364 (Report of Discrepancy (ROD)) as prescribed in AR 735-11-2/DLAR 4140.55/NAVMATINST 4355.73B/AFR 400-54/MCO 4430.3H.

c. Discrepancy in Shipment Report (DISREP) (SF 361). Fill out and forward Discrepancy in Shipment Report (DISREP) (SF 361) as prescribed in AR 55-38/NAVSUPINST 4610.33C/AFR 75-18/MCO P4610.19D/DLAR 4500.15.

1-3. Reporting Equipment Improvement Recommendations (EIR)

If your AN/VIC-1(V) Intercommunication Set needs improvement, let us know. Send us an EIR. You, the user, are the only one who can tell us what you don't like about the design. Put it on an SF 368 (Quality Deficiency Report). Mail it to Commander, US Army Communications-Electronics Command and Fort Monmouth, ATTN: AMSEL-PA-MA-D, Fort Monmouth, New Jersey 07703-5000. We'll send you a reply.

1-4. Administrative Storage

Administrative storage of equipment issued to and used by Army activities will have preventive main-

tenance performed in accordance with the PMCS charts before storing. When removing the equipment from administrative storage the PMCS should be performed to assure operational readiness. Disassembly and repacking of equipment for shipment or limited storage are covered in the procedures prescribed for the vehicle.

1-5. Destruction of Army Electronics Materiel

Destruction of Army electronics materiel to prevent enemy use shall be in accordance with TM 750-244-2.

1-6. Hand Receipt Manuals

Hand receipt manuals are available covering the radio equipment in tracked vehicles into which the AN/VIC-1(V) is installed. The manuals do not cover the AN/VIC-1(V) without radios. The hand receipt manuals contain preprinted DA Forms 2062 (Hand Receipt/Annex No.) listing the vehicle and the radio-intercom system (AM-1780/VRC and Control Boxes C-2296/VRC, C-2297/VRC, and C-2298/VRC), the radio, cabling, audio equipment installed in the vehicle. Following are hand receipt publications:

a. TM 11-5820-401-10-2-HR - AN/VRC-12 series radios used with intercom.

b. TM 11-5820-498-12-HR - AN/VRC-53, -64, AN/GRC-125, -160 radios used with and without intercom.

1-7. Consolidated Index of Army Publications and Blank Forms

Refer to the latest issue of DA Pam 25-30 to determine whether there are new editions, changes or additional publications pertaining to the equipment.

Section II. DESCRIPTION AND DATA

1-8. Purpose and Use

Intercommunication Set AN/VIC-1(V) provides voice communication between members of crew-served weapon and between crewmembers of a vehicle. The AN/VIC-1(V) also provides crewmembers of the facility to communicate on the radios that may be associated with the AN/VIC-1(V) in the vehicle.

a. The AN/VIC-1(V) is installed without radios in the following vehicles:

(1) Gun, 175MM, Self-Propelled, M107 and in Howitzer, Heavy, 8-inch, Self-Propelled, M110 (TM 9-2350-216-10).

(2) Howitzer, M105MM, Self-Propelled, M108 and in Howitzer, Medium, 155MM, Self-Propelled, M109 (TM 9-2350-217-10 (fig. 4-5)).

b. The AN/VIC-1(V) is used with vehicular radios (para 1-11e) in such crewmember combat vehicles as tanks, armored personnel carriers (APC), and armored

command posts (ACP) (fig. 4-9 and 4-10).

(1) In such vehicles as armored personnel carriers, and armored command posts, the AN/VIC-1(V) consists of Amplifier, Audio Frequency AM-1780/VRC and Control, Intercommunication Set C-2298/VRC (fig. 4-4) for each crewmember.

(2) In tanks, except Abrams, the AN/VIC-1(V) also includes Control, Intercommunication Set C-2297/VRC for the driver, and Control, Intercommunication Set C-2296/VRC mounted outside the vehicle (fig. 4-8 and 4-9).

c. The AN/VIC-1(V) is part of the electronic installation harness of howitzers (*a* above) and combat vehicles (*b* above). The harness includes the mounts for the radios, interconnecting cables for the radios and the AN/VIC-1(V) and power cables. Refer to paragraph 1-11 for information on equipment required to make the AN/VIC-1(V) operational.

1-9. Technical Characteristics

a. C-2296/VRC, C-2297/VRC, C-2298/VRC, C-10456/VRC and C-10680/VRC.

Frequency range	500 to 3,000 Hz.
Intercom function	Provides communication between crewmembers.
Radio function	Provides communication on all radios connected to AM-1780/VRC.
Audio accessories:	
Microphone impedance	150 ohms \pm 15 percent.
Headset and loudspeaker impedance	150 ohms \pm 20 percent.
LINE binding posts of C-2296/VRC	600 ohms \pm 20 percent.
Power requirements	22 to 30 volts dc.

b. AM-1780/VRC and AM-7046/VRC.

Frequency range	500 to 3,000 Hz.
Radio function	Provides control of radios selected by control boxes.
Intercom function	Provides communication (intercom) between control boxes.
Circuit impedances:	
Microphone circuits	150 ohms \pm 15 percent.
Headset and loudspeaker circuits	150 ohms \pm 20 percent.
LINE binding posts	600 ohms \pm 20 percent.
AUDIO INPUT binding posts	5,000 ohms.
Radio transmitter microphone input circuit	150 ohms \pm 20 percent.
Radio receiver audio output circuits	150 ohms \pm 20 percent.
Power requirements	22 to 30 volts dc.

NOTE

1-10. Components

The AN/VIC-1(V) includes the AM-1780/VRC and as many control boxes as necessary for the particular vehicle. A maximum of six control boxes may be connected.

The C-10456/VRC and C-10680/VRC are not components of the AN/VIC-1(V). However, when they are installed in a particular combat vehicle in conjunction with the AM-1780/VRC or AM-7046/VRC, the configuration may be considered as an "AN/VIC-1(V)".

Item	NSN	Dimensions (in.)			Qty
		Height	Depth	Width	
Amplifier, Audio Frequency AM-1780/VRC ^a	5820-00-892-3342	3 $\frac{3}{4}$	5 $\frac{1}{2}$	9 $\frac{3}{4}$	1
Control, Intercommunication Set C-2298/VRC ^b	5820-00-892-3339	4 $\frac{1}{2}$	5 $\frac{1}{2}$	3 $\frac{1}{4}$	See note b below.
Control, Intercommunication Set C-2297/VRC ^c	5820-00-892-3337	See note c below.
Control, Intercommunication Set C-2296/VRC ^a	5820-00-892-3338	See note c below.
Control, Intercommunication Set C-10456/VRC ^a	5830-00-01-0824	5	3 $\frac{3}{4}$	3 $\frac{1}{4}$	See note b below.
Control, Intercommunication Set C-10680/VRC ^a	Modified AM-1780/VRC	5	3 $\frac{3}{4}$	3 $\frac{1}{4}$	See note b below.

a. The components are installed with the required hardware.

b. One control box is provided each crewmember.

c. In some vehicles, one C-2297/VRC is provided for the driver's position and one C-2296/VRC is mounted on the outside of the vehicle.

1-11. Description

(fig. 1-1)

a. Amplifier, Audio Frequency AM-1780/VRC and AM-7046/VRC.

(1) The audio frequency amplifiers are the main junction box for the AN/VIC-1(V). They provide control of the dc power to the associated crewmember control boxes (b, c, and d below) and to the radio system that may be connected to the amplifiers. The amplifiers also amplify and control the audio signals in the intercommunication (intercom) and radio circuits.

(2) All operating controls are provided on the front panel. Ten jacks are provided on the top, bottom,

and sides for connections to the control boxes and the radio(s). Two pairs of binding posts are provided on the front panel for connection to a telephone and the audio output of an auxiliary radio. Mounting lugs are provided on the sides. Captive screws hold the gasket-sealed back cover. All controls and jacks are waterproof.

b. Control, Intercommunication Set C-2298/VRC, C-10456/VRC, and C-10680/VRC.

(1) When an audio accessory is connected to the control box, the crewmember can select, by means of the MONITOR switch and the audio accessory controls, to communicate on the intercom circuit with

other crewmembers, and on the radio(s) connected to the AM-1780/VRC/AM-7046/VRC.

(2) The MONITOR switch is located on the front panel; the VOLUME control is located on the bottom of the box. A jack on each side of the box provides connection to the AM-1780/VRC/AM-7046/VRC (or another C-2298/VRC). Jacks on the bottom provide connection to the audio accessories. Mounting lugs are provided on the sides. Captive screws hold the gasket-sealed back cover.

(3) The C-10456/VRC is installed in combat vehicle, M1 Abrams and in Fighting Vehicle System (FVS) M2 and M3. The C-10680/VRC is installed in Interim Fire Support Team Vehicle (IFIST) M113A1, in conjunction with the AM-7046/VRC (fig. 4-10).

c. Control, Intercommunication Set C-2296/VRC.

(1) The C-2296/VRC is provided with Handset H-207/VRC to enable the user to communicate on the intercom circuit with other crewmembers, or on the radio(s) connected to the AM-1780/VRC.

(2) The radio and intercom control switch and VOLUME control are located on the front panel. A jack on the left side provides connection through the vehicle wiring to the C-2297/VRC located inside the vehicle. A jack on the right side provides connection of the cable assembly to an external call light mounted in the cover of the box containing the C-2296/VRC. A pair of binding posts provides connection to a telephone. Mounting lugs are provided on the sides. Captive screws hold the gasket-sealed back cover.

(3) The H-207/VRC has a push-to-talk switch, a dynamic microphone and an earphone, and a retractile cord connected to the C-2296/VRC.

d. Control, Intercommunication Set C-2297/VRC.

(1) When an audio accessory is connected to the C-2297/VRC, the crewmember can elect, by means of the MONITOR switch and the audio accessory controls, to communicate on the intercom circuit with other crewmembers, or on the radios connected to the AM-1780/VRC.

(2) The MONITOR and SIG-EXT-OFF switches are located on the front panel; the VOLUME control is located on the bottom of the box. When the SIG-EXT-OFF switch is in EXT position, the C-2296/VRC (c above) is enabled to become part of the radio and intercom circuits. A jack on the left side provides connection to the AM-1780/VRC; the jack on the right side provides connection through the vehicle wiring to the C-2296/VRC. Jacks on the bottom provide connection to audio accessories. Mounting lugs are provided on the sides. Captive screws hold the gasket-sealed back cover.

1-12. Equipment Required to Make AN/VIC-1(V) Operational

a. General. Items required to make the AN/VIC-1(V) operational are supplied by various means, depending on the particular vehicle in which it is installed. Dc power (22 to 30 volts dc) is provided by the vehicular electrical system.

(1) Supply Bulletin SB 11-131 lists the parts and National stock numbers of the vehicular electronic installation harnesses and installation kits which contain the AN/VIC-1(V), and the accessory kits required to install the harness.

(2) The electronic installation harness is part of tracked vehicles (c below). It includes the AN/VIC-1(V), radio mounts, interconnecting and power cables, mounting brackets for the various components, and the MX-7778(*)/GRC. The MX-7778(*)/GRC includes the Suppressor, MX-7777(*)/GRC and Cable, CX-10613/VRC. The basic radio set components are provided by the using organization.

(3) Accessory kits complement the electronic installation harnesses. They include audio accessories, some interconnecting cables, the whip antenna parts for use with Receiver, Radio R-442(*)/VRC (used in some AN/VRC-12 series radio configurations), and instructions for installing the harness and the accessory kit. The accessory kits are a combination of items required for use with a specific type of radio in a specific type of combat (tracked) vehicle. Items are readily installed and do not become a part of the vehicle.

(4) Installation kits contain appropriate audio accessories, radio mounts, interconnecting cables and hardware necessary to mount the AN/VIC-1(V) in the vehicle. The kits are not part of the vehicle; thus, they are removed and used on another vehicle when the vehicle is turned in. Installation instructions for the kits are provided as part of the installation kits per SB 11-131.

(5) A general purpose installation kit is provided for nonvehicular installation. It includes audio accessories, radio mounts, interconnecting cables, power cable, and general purpose mounting hardware. A power supply such as Power Supply PP-2953(*)/U is required to operate the equipment.

b. Wheeled Vehicles. A representative wheeled vehicle in which the AN/VIC-1(V) is used is Truck, Cargo, 1¼-Ton, 6 × 6, M561. The items required to install the equipment are provided in the installation kit (a(4) above).

c. Tracked Vehicles.

(1) Representative tracked vehicles include: Tank Full Tracked, M60A1; Carriers, Personnel, Armored, M113 and M114; Carrier, Command Post M577; and howitzers (para 1-8a).

(2) The items required for installation and operation of the AN/VIC-1(V) are provided in the electronic installation harness and the accessory kit (a(2) and (3) above) for the particular vehicle.

(3) The audio accessory for some tracked vehicles is contained in the CVC helmets provided for each of the crewmembers.

d. *Marine Craft.* Generally, installation harnesses in marine craft are considered in the same category as those for tracked vehicles (c above); and once installed, are considered as part of the marine craft.

e. *Compatible Radio Sets.* Following are various vehicular radio sets which may be connected to the AN/VIC-1(V).

(1) AN/VRC-12 series radios (TM 11-5820-401-10-2).

(2) Radio Sets AN/VRC-53, AN/VRC-64, AN/GRC-125, and AN/GRC-160 (TM 11-5820-498-12).

(3) Radio Teletypewriter Set AN/VSC-3 (TM 11-5815-332-15).

f. *Typical Configurations.* See listing below for typical configurations of the AN/VIC-1(V).

1-13. Differences in Models

The AM-1780/VRC procured on Contract DAAB07-80-C-0021 (Communicology, Inc.) and the AM-1780A/VRC are provided with rubber-covered binding posts and the designation of TEL/REMOTE is used instead of LINE (fig. 2-1).

Type of installation	Typical Equipment Configurations							Remarks	Notes
	AM-1780/VRC	C-2298/VRC	C-2297/VRC	C-2298/VRC	C-10456/VRC	C-10460/VRC	AM-7046/VRC		
Gun, Self-propelled, M107 and Howitzer, M110	1			1 per crewman				Filter, Dc Power, F-1461/VRC required for driver's control	1
Howitzer, M108 and M109, A1, A2	1			1 per crewman					1
Armored personnel carriers or armored command posts	1			1 per crewman				C-10466/VRC is similar to C-2298/VRC except remote keying is provided	1
Tanks or marine craft	1	1, outside vehicle	1, driver	1 per crewman				Components are functionally the same as AM-1780/VRC and C-2298/VRC	1
M1 Abrams and M2 or M3 Fighting Vehicle System	1				1 per crewman				1
M113A1 Interim Fire Support Vehicle						1 per crewman	1	Power supply, such as PP-2953(*)/U required	3
Nonvehicular	1			4				Cargo Truck M561 is a representative vehicle (6 X 6)	2
Vehicular, without radio	1			As required					

NOTES:

1. AN/VIC-1(V) is part of harness.
2. Installation kit required.
3. General purpose installation kit.

C-2296/VRC are connected to a field telephone (or the AM-1780/VRC or C-2296/VRC of another vehicle), refer to *c* below for operating procedures.

(5) *C-10456/VRC Operation (fig. 2-5).* Controls on the C-10456/VRC are identical to those on the C-2298/VRC (fig. 2-2). If no remote switch is connected and the dummy plug is connected, operation is identical to the C-2298/VRC (para (3) above). If a remote switch is connected to the C-10456/VRC, the following operational procedures apply:

(a) Set the MONITOR switch to INT ONLY (or, if radio operation, to ALL, A, or B).

(b) Set the switch on the CVC helmet to INTERCOM.

(c) To stand by or listen to calls from other crewmembers, leave the remote switch in the OFF position.

(d) To talk to other crewmembers, push the remote switch to INTER (com) and talk into the microphone, sidetone should be heard. For radio operation, set the remote switch to RAD.

c. Field Telephone and Intervehicle Operation. To communicate with a user of field telephone connected to the AM-1780/VRC or C-2296/VRC, or to communicate with crewmembers of another vehicle when the AM-1780/VRC or C-2296/VRC of both vehicles are interconnected, use the following operating procedures. Radio communication cannot be established with this arrangement, except by crew commander.

CAUTION

The ringing signal from a field telephone can damage the circuits in the AM-1780/VRC. Thus, the telephone users must be advised that they cannot use the telephone ringer to attract the attention of vehicle crewmembers. To attract attention, whistle or talk into the telephone.

(1) When the lines are connected to the C-2296/VRC, the C-2297/VRC SIG-EXT-OFF switch must be set to Ext.

(2) Set the MONITOR switch of the control boxes to ALL. Only the crew commander's C-2298/VRC MONITOR switch can be set to position C to communicate on this circuit.

(3) To talk to the other party, set the audio accessory switch to INTERCOM and talk; release the switch to hear the reply. The communication must be conducted on a push-to-talk, release-to-receive basis.

NOTE

If any other crewmember in the vehicle is keyed on intercom, the reply cannot be heard.

d. Stopping Procedures.

(1) To turn off the equipment when radios are associated with the AN/VIC-1(V), proceed as follows:

(a) On the AM-1780/VRC, set the POWER CKT BKR to OFF.

(b) On the radios, set the POWER switch to OFF.

(c) On the AM-1780/VRC, set the MAIN PWR switch to OFF.

(d) On the MS-7777(*)/GRC, set the ON-OFF switch to OFF.

(2) To turn off the AN/VIC-1(V) when no radio is associated with it, set the AM-1780/VRC POWER CKT BKR to OFF, the MAIN PWR switch to OFF then the MS-7777(*) OFF.

2-10. Operational Check Procedures.

a. Before Mission. An operational check of the Intercommunications Set AN/VIC-1(V) should be done before starting any mission. These checks are to ensure proper operation of the intercom and should be performed with all assigned crewmembers at their stations.

b. After Maintenance. After any operator performed maintenance procedure (para 3-5), the operational check should be performed to ensure the problem was corrected and that no other malfunctions exist.

c. Procedures. The procedures below are for the AN/VIC-1(V) installed without radios, such as the M-109 Howitzer (SP). The procedure should be modified to fit the particular installation.

d. Sidetone. Each crewmember should hear sidetone of the transmission.

Commander's check	Crewman's response
1. Driver this is commander, intercom check.	1. Commander this is driver, loud and clear.
2. Gunner this is commander, intercom check.	2. Commander this is gunner, loud and clear.
3. (Outside telephone if attached) Outside operator this is tank commander, intercom check.	3. Tank commander this is outside operator, loud and clear.

e. AM-1780/VRC Initial Settings.

- (1) Set the INSTALLATION switch to INT ONLY.
- (2) Set the MAIN PWR switch to INT ONLY.
- (3) Set the PWR CKT BKR switch to ON.
- (4) The INT ACCENT and RAD TRANS switches may be in any position.

f. Audio Accessories. Connect the audio accessories to the crewmember control boxes as shown in figures 2-9 and 2-10.

g. Operational Check. Perform the intercommunications checks in the table below.

h. Installation With Radios. For AN/VIC-1(V) installations with radios, refer to the appropriate radio TM for the operational check.

NOTE

If intercommunications cannot be established with any crewmember, refer to the operator troubleshooting procedures, paragraph 3-4.

5-7. Equipment Performance Checklist

NOTE

If the MX-7777A is installed, the BATTLE OVERRIDE switch should remain in the OFF (closed hood) position.

Step	Procedure	Normal indication	Remarks
1.	Set vehicle MASTER power switches to ON.	Vehicle MASTER power lamps should light.	If lamps do not light, report condition to supervisor.
2.	If installed, set MX-7777 circuit breaker to ON.	Circuit breaker should stay ON.	If circuit breaker trips, refer to troubleshooting chart, figure 5-3.
3.	Turn AM-1780/VRC MAIN PWR switch to INT ONLY.	AM-1780/VRC POWER lamp should not light.	If POWER lamp lights, replace AM-1780/VRC.
4.	Set AM-1780/VRC POWER CKT BKR to ON.	AM-1780/VRC POWER lamp should light.	a. If POWER lamp does not light, refer to troubleshooting chart, figure 5-4. b. If POWER CKT BKR trips OFF, refer to troubleshooting chart, figure 5-5.
5.	Connect handset to commander's control box, J803 (yellow band).		
6.	Turn VOLUME control fully clockwise.		
7.	One at a time, for each position of the MONITOR switch listed, key the handset and speak into the microphone, then unkey handset: A B C	For each position of the MONITOR switch, relays in the AM-1780/VRC should click and sidetone should be heard. NOTE Sidetone will not be heard on positions A and B in M1 and M1A1 tanks.	a. If in any switch position the relays do not click and no sidetone is heard, refer to troubleshooting chart, figure 5-7. b. If in any switch position relays do not click, but sidetone is heard, refer to troubleshooting chart, figure 5-8. c. If in all switch positions relays click but no sidetone is heard, refer to troubleshooting chart, figures 5-10. d. If in a particular switch position relays click but no sidetone is heard, refer to troubleshooting chart, figure 5-11.
8.	Move handset from J803 to J802 on commander's control box.		
9.	Turn MONITOR SWITCH to INT ONLY.		
10.	Key handset and talk into microphone.	AM-1780/VRC relays should click and sidetone should be heard.	If normal indications are not obtained, replace commander's control box.
NOTE			
If there is only a driver's control box left in the installation, go to step 18 at this time.			
11.	Move handset to J803 (yellow band) of crewmember's control box (not driver's).		
12.	Turn VOLUME control fully clockwise.		
13.	One at a time, for each position of the MONITOR switch listed, key handset and talk into microphone, then unkey handset: ALL A INT ONLY B	For each position of the MONITOR switch, relays in the AM-1780/VRC should click and sidetone should be heard.	a. If in any position relays do not click and no sidetone is heard, refer to troubleshooting chart, figure 5-7. b. If in any position relays do not click but sidetone is heard, refer to troubleshooting chart, figure 5-12. c. If in all positions relays click but no sidetone is heard, refer to troubleshooting chart, figure 5-10. d. If in a particular position relays click but no sidetone is heard, refer to troubleshooting chart, figure 5-11

5-7. Equipment Performance Checklist – Continued

Step	Procedure	Normal indication	Remarks
14.	Move handset from J803 to J802 of the same control box.		
15.	Set MONITOR switch to INT ONLY.		
16.	Key handset and talk into microphone, then unkey handset.	AM-1780/VRC relays should click and sidetone should be heard.	If normal indications are not obtained, replace the control box.
17.	Repeat steps 11 through 16 for each crew-member's (not driver's) control box. Then go to step 18.		
18.	Connect the handset to J803 or J903 (yellow band) of the driver's control box.		Steps 18 through 31 are for the driver's control box only.
19.	Turn VOLUME control fully clockwise.		
20.	If driver's control box is C-2297/VRC, set the SIG-EXT-OFF switch to OFF.		
21.	One at a time, for each position of the MONITOR switch listed, key handset and talk into the microphone, then unkey the handset: ALL A INT ONLY B	For each position of the MONITOR switch, relays in the AM-1780/VRC should click and sidetone should be heard. NOTE Sidetone will not be heard on positions A and B in M1 and M1A1 tanks.	<ul style="list-style-type: none"> a. If in any position relays do not click and no sidetone is heard, refer to troubleshooting chart, figure 5-7. b. If in any position relays do not click but sidetone is heard, refer to troubleshooting chart, figure 5-12. c. If in all positions relays click but no sidetone is heard, refer to troubleshooting chart, figure 5-10. d. If in a particular position relays click but no sidetone is heard, refer to troubleshooting chart, figure 5-11.
22.	Move handset to J802 or J902.		
23.	Set MONITOR switch to INT ONLY.		
24.	Key handset and talk into microphone, then unkey handset.	AM-1780/VRC relays should click and sidetone should be heard.	If normal indications are not obtained, replace driver's control box.
25.	If driver's control box is a C-2298/VRC, the EPC is completed; if it is a C-2297/VRC, continue with step 26.		
26.	Turn lens cover fully counterclockwise then ¼ turn clockwise.		
27.	Set SIG-EXT-OFF switch to OFF.	Lamp should not light.	If lamp lights, refer to troubleshooting chart, figure 5-13.
28.	Set SIG-EXT-OFF switch to EXT.	Lamp should light, AM-1780/VRC relay should not click.	<ul style="list-style-type: none"> a. If lamp does not light and AM-1780/VRC circuit breaker does not trip, lamp or lamp circuit is bad. b. If lamp does not light and AM-1780/VRC circuit breaker trips, refer to troubleshooting chart, figure 5-14. c. If lamp lights but AM-1780/VRC relays click, refer to troubleshooting chart, figure 5-13.
29.	Set SIG-EXT-OFF switch to SIG.	Lamp should light.	If lamp does not light, refer to troubleshooting chart, figure 5-15.
30.	Return SIG-EXT-OFF switch to EXT.		
31.	Set MONITOR switch to ALL.		
32.	Turn C-2296/VRC volume control fully clockwise.		
33.	C-2296/VRC RAD TRANS-INT switch should be in INT (spring held).		If switch is in RAD TRANS, the switch should be replaced at higher maintenance.
34.	Key handset, H-207, and talk into its microphone.	AM-1780/VRC relays should click and sidetone should be heard.	<ul style="list-style-type: none"> a. If relays do not click, refer to troubleshooting chart, figure 5-10. b. If relays click but no sidetone is heard, refer to troubleshooting chart, figure 5-17.

**SECTION II. MAINTENANCE ALLOCATION CHART
FOR
INTERCOMMUNICATION SET AN/VIC-1(V)**

(1) GROUP NUMBER	(2) COMPONENT/ASSEMBLY	(3) MAINTENANCE FUNCTION	(4) MAINTENANCE CATEGORY					(5) TOOLS AND EQPT.	(6) REMARKS
			C	O	F	H	D		
00	Intercommunication Set AN/VIC-1(V)	Inspect	0.25						A
		Service	0.5						B
		Test		0.5				2	
		Install		0.5					
01	Amplifier, AUDIO Frequency AM-1780/VRC and AM-7046/VRC	Repair		1.0				1,2	C
		Inspect	0.25						I
		Service	0.25						A
		Test		0.25					B
		Test			1.0			4 thru 11	D
		Adjust			0.5			5 thru 8, 10	E
		Replace		0.25				2	
		Repair		1.0				2	F
02	Control, Intercommunication Set C-2296/VRC	Repair			2.5			3 thru 8, 10, 11, 12	G
		Inspect	0.1						
		Test		0.1					H
		Test			0.5			4 thru 19	D
		Service	0.1					2	A
		Repair		0.25				1,2	F
03	Control, Intercommunication Set C-2297/VRC	Repair			1.5			3 thru 8, 10, 11, 12	G
		Replace		0.5				2	
		Inspect	0.1						
		Test		0.1					H
		Test			0.5			4 thru 12	D
		Service	0.1					2	A
04	Control, Intercommunication Sets C-2298/VRC, C-10456/VRC and C-10880/VRC	Repair			1.5			3 thru 8, 10, 11, 12	G
		Replace		0.25				2	
		Inspect	0.1						
		Test		0.1					H
		Test			0.5			4 thru 8, 10 thru 19	D
		Service	0.1					2	A
05	Amplifier, Audio Frequency AM-1780A/VRC	Repair			1.5			3 thru 8, 10, 11, 12	G
		Replace		0.25				2	
		Inspect	0.25						
		Service	0.25						A
		Test		0.25				2	B
		Replace		0.25				2	
		Repair			1.0	3.0	3.0		F
		Repair							J

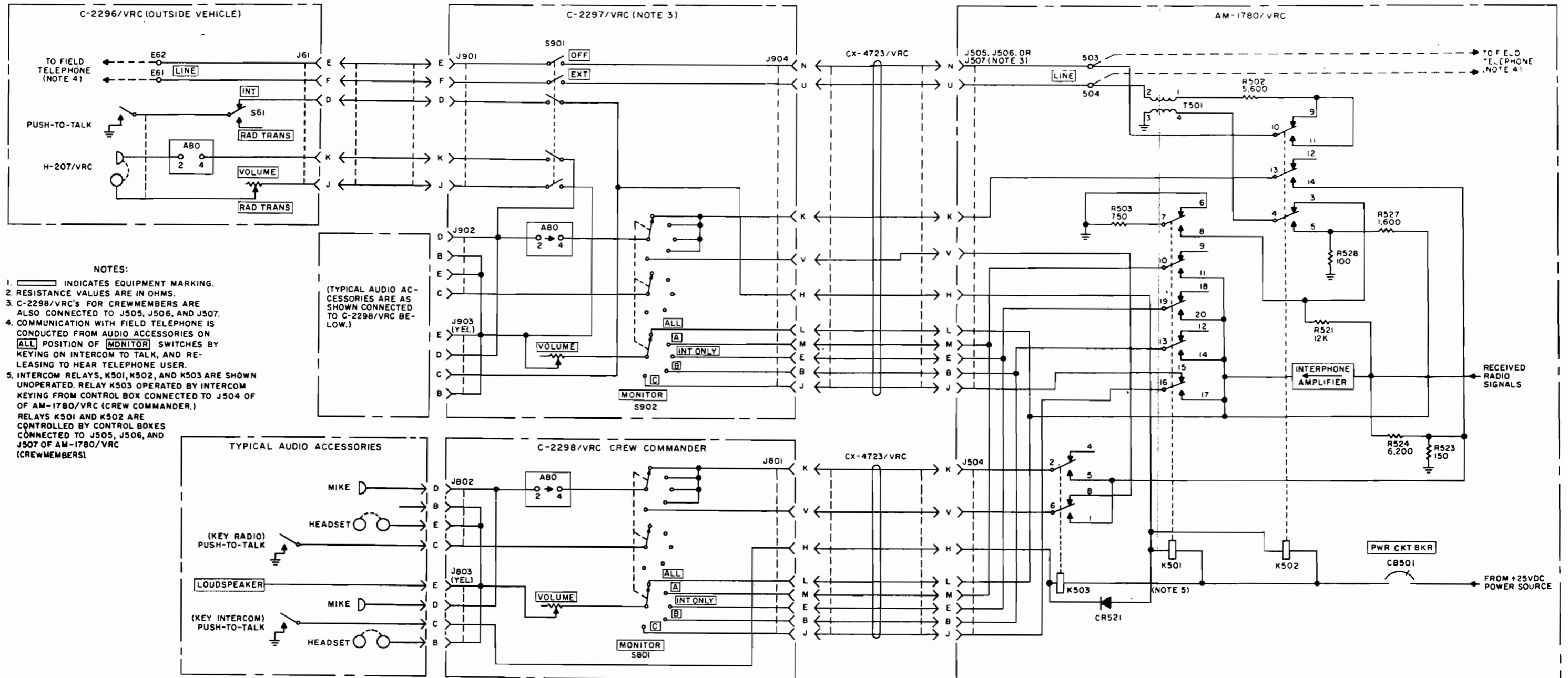
**SECTION III. TOOL AND TEST EQUIPMENT REQUIREMENTS
FOR**

INTERCOMMUNICATION SRT AN/VIC-1(V)

TOOL OR TEST EQUIPMENT REF CODE	MAINTENANCE CATEGORY	NOMENCLATURE	NATIONAL/NATO STOCK NUMBER	TOOL NUMBER
1	O	Multimeter, AN/URM-105	6625-00-581-2036	
2	O	Tool Kit, Electronic Equipment TK-101/G	5180-00-004-5178	
3	F	Tool Kit, Electronic Equipment TK-100/G	5180-00-005-0079	
4	F	Multimeter TS-352B/U	0625-00-999-7405	
5	F	Power Supply PP-1104/G	6130-00-542-6385	
6	F	Signal Generator AN/URM-127	6625-00-783-5065	
7	F	Spectrum Analyzer TS-723/U	6625-00-064-5418	
8	F	Voltmeter, Electronic ME-30/U	0625-00-643-1870	
9	F	Oscilloscope AN/USM-281A	6625-00-224-2201	
10	F	Test Cable Number 1	6625-00-880-0140	
11	F	Test Cable Number 2	6625-00-880-5209	
12	F	Cable Assembly CG-1471/U (3 FT)	6625-00-890-6081	
13	F	Test Box (Locally Fabricated) (Optional)	None	
14	F	Receiver-Transmitter, Radio RT-524/VRC	5820-00-892-0622	
15	F	Mounting MT-1029(C)/VRC	5820-00-893-1323	
16	F	RF Wattmeter AN/URM-120	6625-00-790-2746	
17	F	Control, Intercommunication C-2297/VRC, C-2298/VRC, C-2296/VRC	5820-00-892-3338 5820-00-892-3339 5820-00-892-3337	
18	F	Cable Assembly, Special Purpose, Electrical CX-4723/VRC (5 FT)	5095-00-823-2833	
19	F	Cable Assembly, Power Electrical CX-4720/VRC (10 FT)	5095-00-823-2726	
20	F	Radio Test Set AN/GRM-114A (When issued replaces items 6, 7, 8 and 16.)	0625-01-114-4481	
21	O,F	Digital Multimeter AN/PSM-45 (When issued will replace items 1 and 4.)	6625-01-139-2512	
22	F	Oscilloscope AN/USM-488 (When issued will replace item 9.)	6625-01-187-7848	

SECTION IV. REMARKS

REFERENCE CODE	REMARKS
A	Preventive Maintenance
B	Operational Test
C	Major Component or Cable Replacement
D	All Tests
E	Inter Phone Amplifier
F	Replace Lamp, Knobs, Covers
G	All Repairs - not to include plug-in modules
H	C-10458/VRC, C-10680/VRC are Modified C-2298/VRC
I	AM-7046/VRC is a Modified AM-1780/VRC
J	Intermediate Direct Support, General Support and Depot Support is provided by contractor warranty. Unserviceable assets will be returned through normal supply channels to depot for assessment until 1 Jan 90.

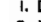


- NOTES:
1. INDICATES EQUIPMENT MARKING.
 2. RESISTANCE VALUES ARE IN OHMS.
 3. C-2298/VRC'S FOR CREWMEMBERS ARE ALSO CONNECTED TO J505, J506, AND J507.
 4. COMMUNICATION WITH FIELD TELEPHONE IS CONDUCTED FROM AUDIO ACCESSORIES ON **ALL** POSITION OF **MONITOR** SWITCHES BY KEYING ON INTERCOM TO TALK, AND RE-LEASING TO HEAR TELEPHONE USER.
 5. INTERCOM RELAYS, K501, K502, AND K503 ARE SHOWN UNOPERATED. RELAY K503 OPERATED BY INTERCOM KEYING FROM CONTROL BOX CONNECTED TO J504 OF AM-1780/VRC (CREW COMMANDER.) RELAYS K501 AND K502 ARE CONTROLLED BY CONTROL BOXES CONNECTED TO J505, J506, AND J507 OF AM-1780/VRC (CREWMEMBERS).

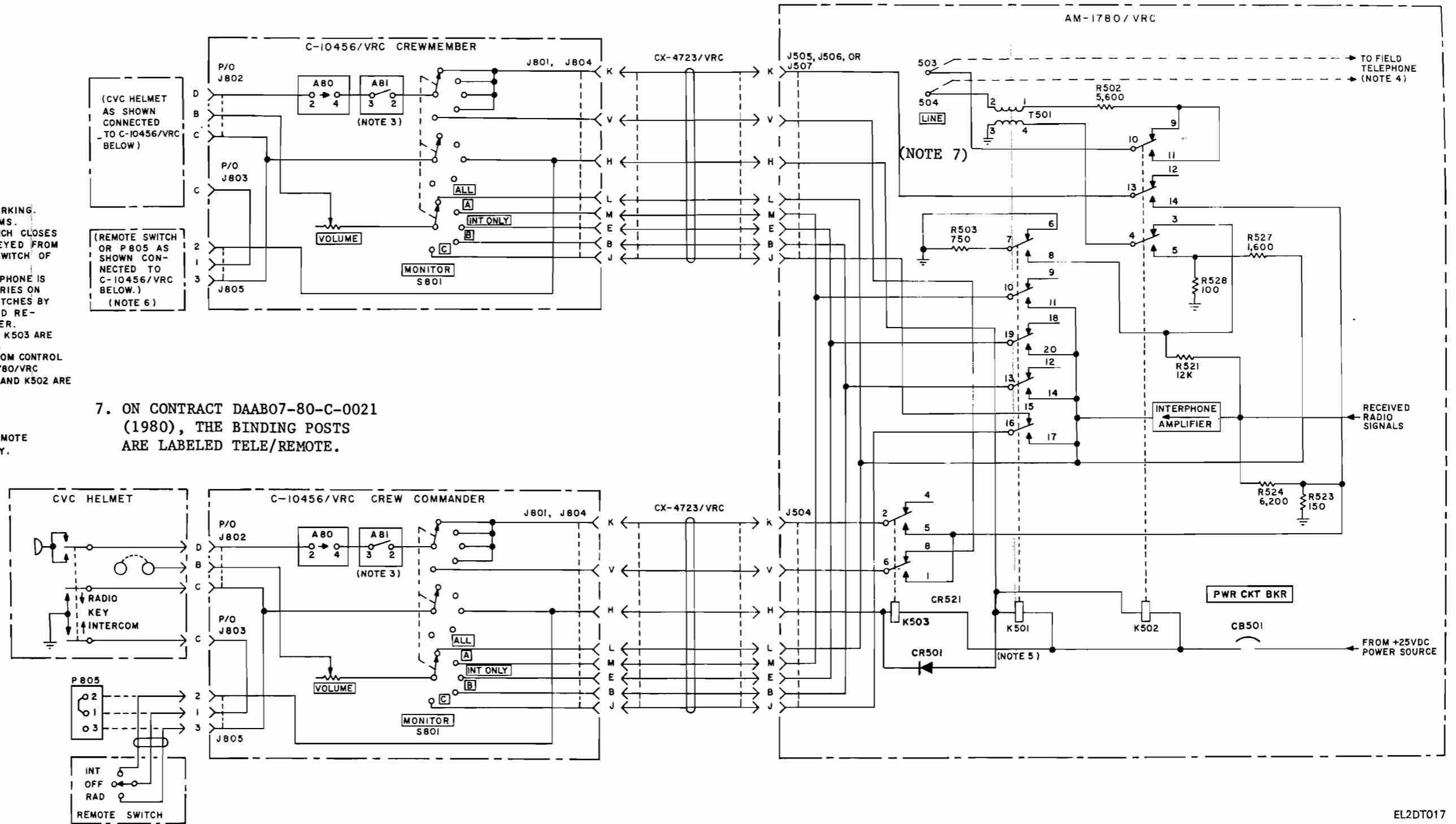
(TYPICAL AUDIO ACCESSORIES ARE AS SHOWN CONNECTED TO C-2298/VRC BELOW.)

EL2DT021

Figure FO-1. AN/VIC-1(V), audio signals and keying control circuits (without radios).

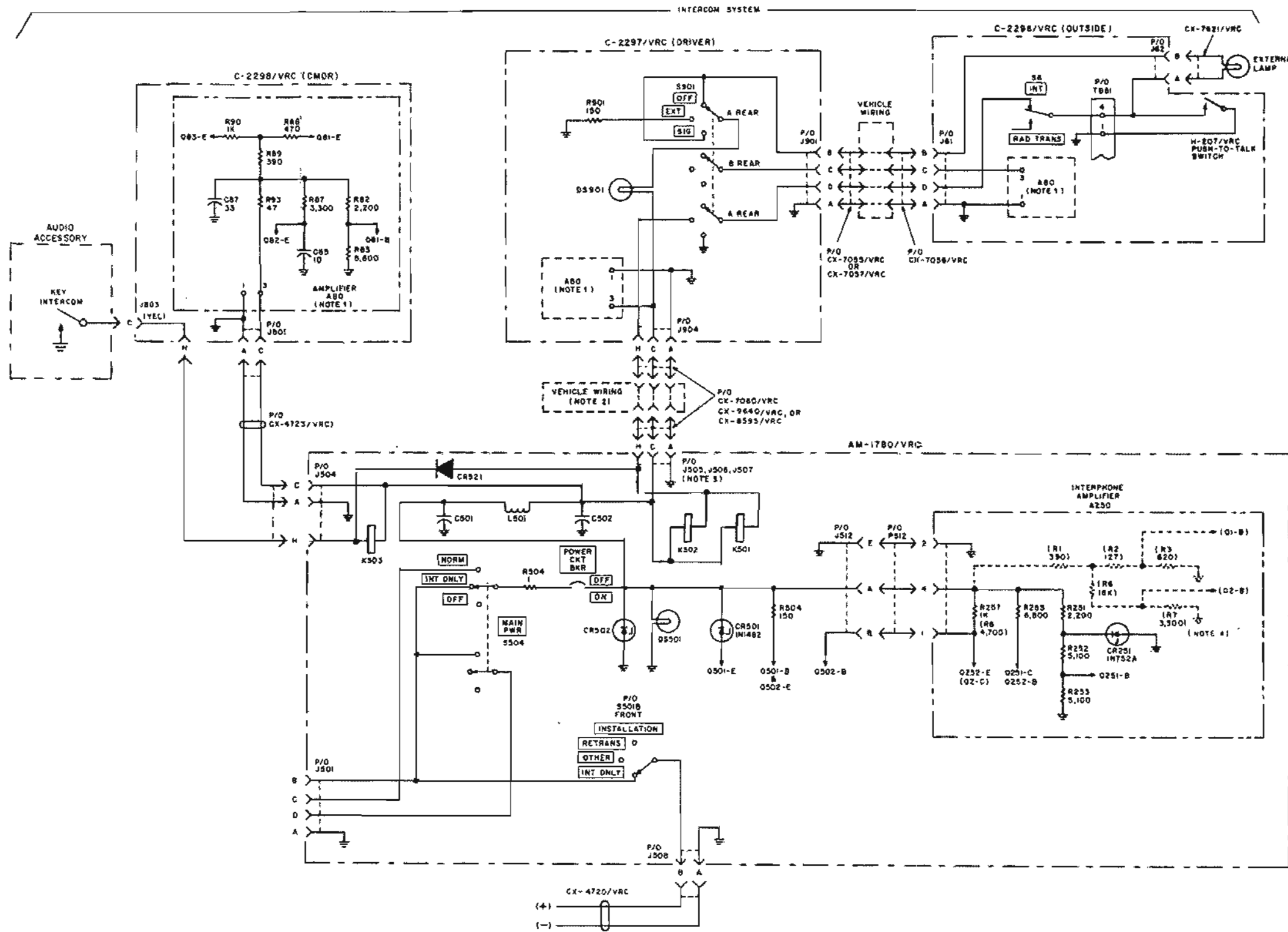
- NOTES:
1.  INDICATES EQUIPMENT MARKING.
 2. RESISTANCE VALUES ARE IN OHMS.
 3. ABI IS A SOLID STATE RELAY WHICH CLOSES WHEN RADIO OR INTERCOM IS KEYED FROM THE CVC HELMET OR REMOTE SWITCH OF THIS STATION.
 4. COMMUNICATION WITH FIELD TELEPHONE IS CONDUCTED FROM AUDIO ACCESSORIES ON **ALL** POSITION OF **MONITOR** SWITCHES BY KEYING ON INTERCOM TO TALK, AND RELEASING TO HEAR TELEPHONE USER.
 5. INTERCOM RELAYS K501, K502, AND K503 ARE SHOWN UNOPERATED. RELAY K503 OPERATED BY INTERCOM KEYING FROM CONTROL BOX CONNECTED TO J504 OF AM-1780/VRC (CREW COMMANDER). RELAYS K501 AND K502 ARE CONTROLLED BY CONTROL BOXES CONNECTED TO J505, J506, AND J507 OF AM-1780/VRC (CREW MEMBERS).
 6. SOME CREWMEMBERS MAY HAVE REMOTE INTERCOM KEYING FUNCTION ONLY.

7. ON CONTRACT DAAB07-80-C-0021 (1980), THE BINDING POSTS ARE LABELED TELE/REMOTE.



EL2DT017

Figure FO-3. AN/VIC-1(V) using C-10456/VRC, audio signals and keying control circuits (without radios).

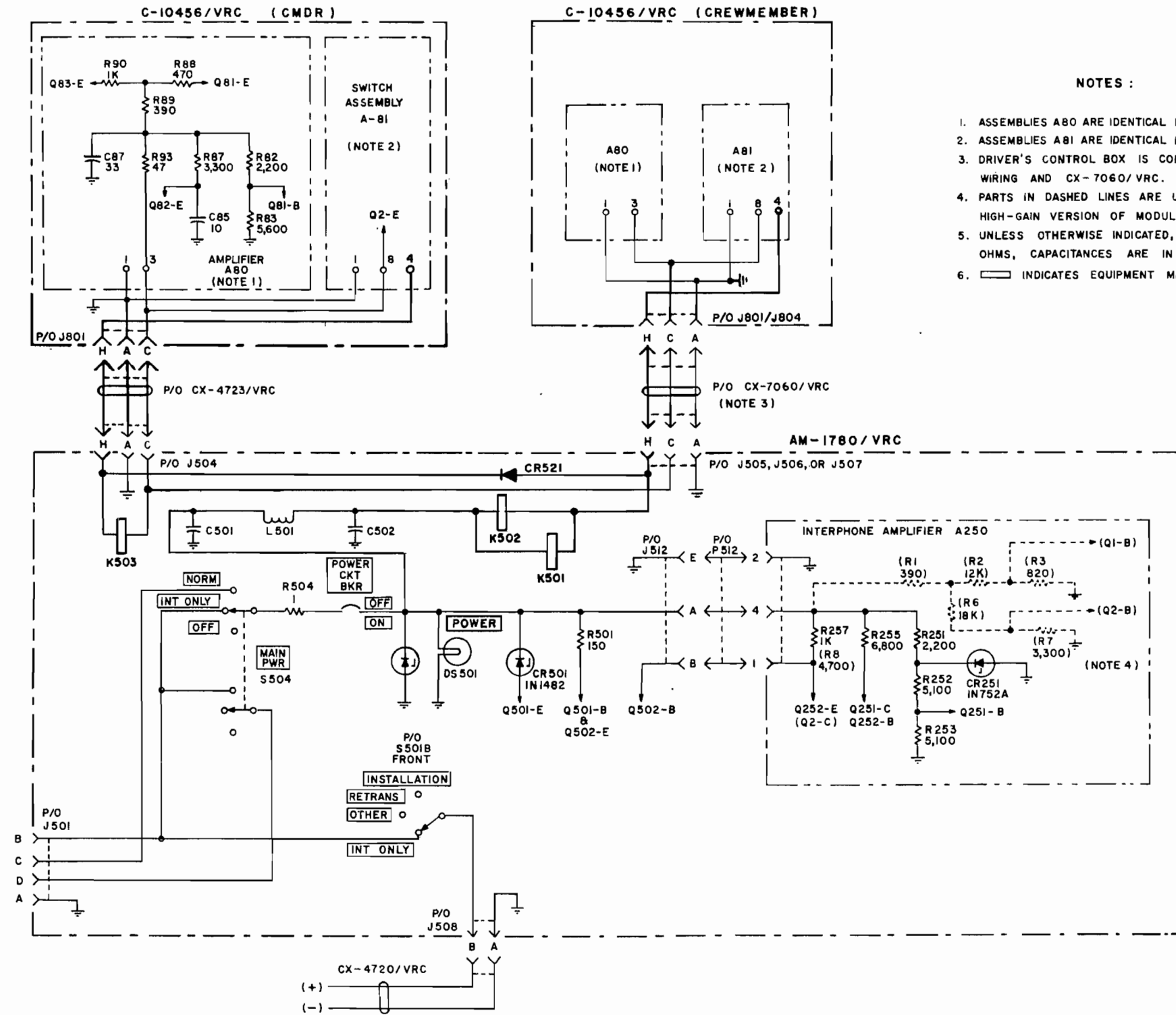


NOTES:

1. ASSEMBLY A80, SHOWN IN C-2298/VRC, C-2297/VRC, AND C-2296/VRC ARE IDENTICAL. CIRCUIT DETAILS ARE SHOWN IN C-2298/VRC.
2. CX-4723/VRC IS USED INSTEAD OF VEHICLE WIRING INSTEAD OF CX-7080/VRC, CX-9640/VRC, OR CX-8595/VRC IN SOME VEHICLES.
3. C-2298/VRC'S FOR CREWMEMBERS ARE ALSO CONNECTED TO JS05, JS06, AND JS07.
4. PARTS IN DASHED LINES ARE USED IN LATEST FIXED, HIGH-GAIN VERSION OF MODULE A250.
5. UNLESS OTHERWISE INDICATED, RESISTANCES ARE IN OHMS, CAPACITANCES ARE IN UF.
6. INDICATES EQUIPMENT MARKING.

EL2DT029

Figure FO-2. AN/VIC-1(V), dc power distribution circuits (without radios)



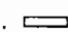
- NOTES :
1. ASSEMBLIES A80 ARE IDENTICAL IN ALL CONTROL BOXES.
 2. ASSEMBLIES A81 ARE IDENTICAL IN ALL CONTROL BOXES.
 3. DRIVER'S CONTROL BOX IS CONNECTED THRU VEHICLE WIRING AND CX-7060/VRC.
 4. PARTS IN DASHED LINES ARE USED IN LATEST FIXED, HIGH-GAIN VERSION OF MODULE A250.
 5. UNLESS OTHERWISE INDICATED, RESISTANCES ARE IN OHMS, CAPACITANCES ARE IN UF.
 6.  INDICATES EQUIPMENT MARKING.

Figure FO-4. AN/VIC-1(V) using C-10456/VRC, dc power distribution circuits (without radios).

EL2DT018