

INTRODUCTION

1. GENERAL. *a.* This is a list of items of service for the Truck, ¼-Ton, 4 x 4 (Ford and Willys) arranged according to standard government grouping.

Note. Many of the parts listed herein are not stocked for issue. See the appropriate ORD 7 and ORD 8 catalogs for listings of those parts stocked and authorized for issue to the various levels of maintenance. When parts not listed in the ORD 8 are needed, separate requisitions for these parts should be forwarded through normal supply channels with justification therefor.

b. This list of all service parts is to be used for identification and storage purposes. Every individual part is not necessarily stored by itself; many parts are stored as authorized assemblies. Such assemblies are indicated herein. The components of such assemblies are listed alphabetically within the group with the total quantity of each required for that particular application in the vehicle.

c. For full information relative to the Ordnance section of the Department of the Army Supply Catalog, including the purposes and uses thereof, the procedure followed, and the principles employed in its compilation, see ORD 1, Introduction and Index; and the Ordnance Provision System Regulations (OPSR).

2. MAJOR ITEM DESIGNATION. The major item covered in this catalog pamphlet is designated as a general purpose vehicle as defined in AR 700-105.

3. NOTE SYMBOL. The Note Symbol column contains reference symbols. These may be letters such as *a* or *c*, or characters such as % or #, which are explained under the heading "NOTES"; or SNL designations such as *H-1* or *J-1*.

4. STOCK NUMBERS. The class code which is comprised of the prefix letter and number of the stock number (i. e., G104, G503, or G612) usually signifies that the particular part or component was originally coded under the major item designation for the SNL number and does *NOT* mean that the part is used *ONLY* in that major item. All subsequent lists which include that same part will show the identical stock number.

5. ORDNANCE AND MANUFACTURERS' PART NUMBERS. Where more than one ordnance number, or more than one manufacturer's number apply to the same part, all except the first number in each of the two part number columns is indented.

6. ILLUSTRATIONS. This catalog contains various illustrations to aid the user in locating and identifying parts. These are placed before each group to be convenient for reference in connection with the text for that group. For each part identified on an illustration, the noun, part number and group number of the item are given. The prefix portion of the figure number indicates the group to which it pertains; the suffix indicates the sequence number within that group (that is, figure 01-14 signifies illustration number 14 in group 01).

7. NOMENCLATURE. *a.* Items appearing within a subgroup that lists components of and/or items related to only *one* assembly automatically assume as part of their official nomenclature the title of the pertinent subgroup. (Example: "SPRING, retaining, shaft bearing" is an entry in subgroup 0504. The complete nomenclature of the item is "SPRING, retaining, water pump shaft bearing," "WATER PUMP" being the subgroup title.)

b. Items appearing within a subgroup that lists *more than one* assembly or *more than one* group of related items are listed with their complete nomenclature. (Example: "BUSHING, shock absorber mounting pin" is an entry in subgroup 1604. The complete nomenclature of the item is as shown, the title of the subgroup being "AXLE BUMPERS AND SHOCK ABSORBERS.")

c. Whenever any doubt might exist as to what items are included as components of assemblies, kits or sets, an explanatory note or a complete listing of such component parts is given.

d. Attaching parts such as bolts, nuts, rivets, washers, etc., are listed and indented immediately under the item which they attach. Whenever similar parts, such as right and left fenders, etc., are listed, they are placed one immediately following the other in the catalog and their attaching parts are indented under the last of such similar parts. The quantities shown for the attaching parts are those required to attach all of the similar parts and not just the last one.

8. UNIT OF MEASURE. This may be in the form of an actual unit of measure, such as "oz," "lb," "ft," etc., or, as in the case of most items, merely by the use of "each," abbreviated to "ea."

9. QUANTITY PER UNIT ASSEMBLY. The total quantity shown for an item is the quantity required for that particular application only.

10. INDEXES. Complete indexes, stock number, alphabetical, and numerical, with explanations of their arrangement, are furnished at the end of the text.

11. SPECIAL INFORMATION. a. *Interchangeability of Components.* The engine has many components that are similar as those of Power Unit (Willys Engine Model 441) Signal Corps Models PE95F, PE95G, PE95H, PE182, PE183A, PU26V, and PU58G (SNL G-716).

b. *Publications Pertaining to This Vehicle.* The following are technical manuals pertaining to this vehicle: TM 9-803, TM 9-1803A, TM 9-1803B, TM 9-1825A, TM 9-1826A, TM 9-1827C, TM 9-1828A.

c. *Definition of Locational Terms.* Front and rear, left and right sides of the engine and the vehicle are designated with respect to the position of the driver.

d. *Federal Stock Numbers.* Ordnance installations will find Classification Codes in ORD 5-2, Alphabetical Index to Stock List of All Items, for Federal stock numbers listed herein.

e. *Prices.* For prices of items contained herein, see the appropriate catalog pamphlet of ORD 5-3, Pricing Guide.

12. HOW TO FIND PARTS. This catalog is arranged and cross-indexed so that parts can be found easily even though only one of the several identifying factors is known. The various ways in which parts can be located are as follows:

a. If only the nomenclature (basic name) is known, and the subgroup is not, refer to the alphabetical index in the back of the catalog. This index will give the subgroup in which the part is listed. As the part names are arranged in alphabetical order within this subgroup, the complete listing of the part can readily be found.

b. If any one of the numbers—ordnance number, stock number, or manufacturer's number—is known, refer to the appropriate numerical index in the back of the catalog. This index will give the subgroup number from which the part can be found by following the procedure given in a above.

c. If the shape, use, function, or location of the part is known, refer to illustrations in which the part is likely to appear until a picture of the part is found. The arrow pointing to the part will lead out to a listing of the name, part number and subgroup number, which will permit locating the complete listing of the part.

13. SUGGESTIONS. Notice of discrepancies or suggested changes should be directed to the Chief of Ordnance, Washington 25, D. C., ATTENTION: ORDFM-Pub.

14. STANDARD GOVERNMENT GROUPING. The parts listed in this catalog pamphlet are arranged by groups and subgroups and alphabetically within these groups. Parts are grouped primarily on the basis of their function rather than location. This arrangement facilitates identification and selection of parts. Refer to paragraph 12, "HOW TO FIND PARTS."

01—ENGINE

- 0100 Engine and Mounting Parts.
- 0101 Engine Cylinder Block and Head.
- 0102 Engine Crankshaft and Related Parts.
- 0102.1 Engine Main Bearings.
- 0103 Engine Flywheel and Ring Gear.
- 0104 Engine Pistons and Piston Rings.
- 0104.1 Engine Connecting Rods and Bearings.
- 0105.1 Engine Valves, Springs, and Guides.
- 0105.2 Engine Valve Tappets.
- 0105.3 Engine Camshaft, Bearings, and Spacers.
- 0105.4 Engine Camshaft Drive and Timing Gear Cover.
- 0106.1 Engine Oil Pump.
- 0106.2 Engine Oil Filter.
- 0106.5 Engine Crankcase Ventilator.
- 0106.6 Engine Oil Pan, Oil Level Gage, and Lines.
- 0108 Engine Manifolds and Heat Control.

02—CLUTCH

- 0201 Clutch and Pilot Bearing.
- 0202 Clutch Control.

03—FUEL SYSTEM

- 0301 Carburetor.
- 0302 Fuel Pump.
- 0304 Air Cleaner and Connections.
- 0306 Fuel Tank, Lines, and Gages.
- 0309 Fuel Filter.
- 0312 Accelerator, Hand Throttle, and Choke Controls.

04—EXHAUST SYSTEM

- 0401 Muffler and Exhaust Pipe (Round and Oval Type).
- 0401.1 Muffler and Exhaust Pipe (Deep Mud Type).

05—COOLING SYSTEM

- 0501 Radiator and Surge Tank.
- 0503 Water Lines and Thermostat.
- 0504 Water Pump.
- 0505 Fan, Belt and Pulley.

06—ELECTRICAL SYSTEM

- 0601.1 Generator (6-Volt).
- 0601.3 Generator (12-Volt).
- 0602.1 Generator Regulator (6-Volt).
- 0602.3 Generator Regulator (12-Volt).
- 0603 Starter and Switches.
- 0604.1 Distributor.
- 0605 Ignition Coil, Cables, Switch, and Spark Plugs.
- 0607 Instrument Panel Wiring, Lights, and Gages.
- 0608 Switches, Junction Blocks, and Circuit Breakers.
- 0609.1 Lights: Head, Tail and Marker; Lamp-Units.
- 0611 Horn, Button, and Switch.
- 0612 Batteries, Hangers, Boxes, and Cables.
- 0613.1 Chassis Wiring.
- 0615 Radio Suppression Items.
- 0617 Trailer Electric Coupling.

07—TRANSMISSION

- 0700 Transmission Assembly.
- 0701 Transmission Case and Covers.
- 0702.1 Transmission Input Drive Gear, Bearings, and Retainer.

07—TRANSMISSION—Continued

- 0702.2 Transmission Main Shaft, Gears, Bearings, and Synchronizer.
- 0702.3 Transmission Countershaft, Idler Shaft, Gears, and Spacers.
- 0704 Transmission Gear Shift Lever, Shafts, and Forks.

08—TRANSFER

- 0800 Transfer Assembly.
- 0801 Transfer Case, Covers, Gaskets, and Plugs.
- 0802.1 Transfer Input Gear.
- 0802.2 Transfer Intermediate Shaft and Gear.
- 0802.3 Transfer Output Shaft and Gear.
- 0802.5 Speedometer Drive Parts.
- 0804 Transfer Gear Shift Levers, Forks, Shafts, etc.
- 0806.5 Transfer Breather.

09—PROPELLER SHAFT

- 0900 Propeller Shaft, Universal Joints, and Related Parts.

10—FRONT AXLE

- 1000 Front Axle Assembly.
- 1001 Front Axle Housing, Covers, and Plugs.
- 1002 Front Axle Differential.
- 1004 Steering Knuckles and Related Parts.
- 1006 Front Axle Shafts and Universal Joints.

11—REAR AXLE

- 1100 Rear Axle Assembly.
- 1101 Rear Axle Housing, Covers, and Plugs.
- 1102 Rear Axle Differential.
- 1104 Rear Axle Shafts and Related Parts.

12—BRAKES

- 1201.1 Hand Brakes, External Contracting Type.
- 1201.2 Hand Brakes, Internal Expanding Type.
- 1202 Service Brake Assembly.
- 1204.1 Brake Master Cylinder, Pedal, and Connections.
- 1204.2 Brake Wheel Cylinders.
- 1204.3 Brake Lines.

13—WHEELS

- 1311 Wheel Assembly.
- 1312 Wheel Hubs and Drums.
- 1313 Wheel Tires and Tubes.

14—CONTROLS

- 1401 Steering Linkage.
- 1401.1 Steering Gear Assembly.

15—FRAME

- 1501 Frame Assembly.
- 1503 Pintle Assembly.
- 1504 Spare Wheel Carrier.

16—SPRINGS AND SHOCK ABSORBERS

- 1601 Axle Springs.
- 1601.1 Shackles and Spring Attaching Parts.
- 1602 Torque Reaction Spring.
- 1604 Axle Bumpers and Shock Absorbers.

17—FENDERS AND HOOD

- 1701 Fenders.
- 1703 Hood.

18—BODY

- 1800 Body Assembly.
- 1804 Body Panels, Handles, and Windshield.
- 1805 Body Floors, Seals, and Compartments.
- 1806 Seats, Crash Pads, Trim, and Upholstery.

18—BODY—Continued

1808 Stowage Racks, Boxes, and Straps.

21—BUMPERS AND GUARDS

2101 Bumpers, Fillers, Liners, and Guards.

22—MISCELLANEOUS EQUIPMENT

2201 Canvas Items, Bows, and Curtains.

22—MISCELLANEOUS EQUIPMENT—Continued

2202 Mirrors and Reflectors.

2202. 1 Hand Windshield Wiper.

2202. 2 Vacuum Windshield Wiper.

2208. 1 Speedometer and Related Parts.

2210 Instruction and Name Plates.

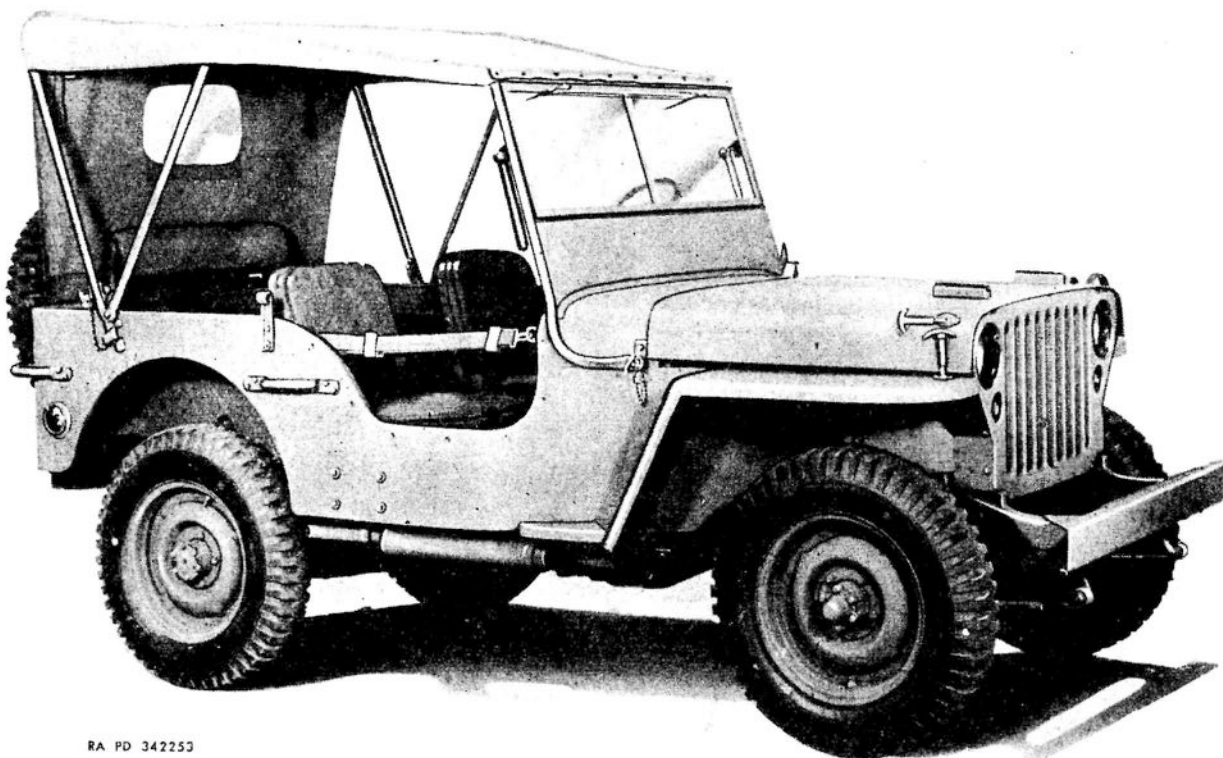
15. MANUFACTURERS' IDENTIFICATION SYMBOLS. Listed below are the manufacturers symbols used in this catalog:

| <i>Symbol</i> | <i>Manufacturer</i> | <i>Symbol</i> | <i>Manufacturer</i> |
|---------------|-----------------------------------------------|---------------|---------------------------------------------------|
| AB | Aetna Ball Bearing Mfg. Co. | KS | King Seely Corp. |
| AC | AC Spark Plug Division (GM) | LK | Link Belt Co. |
| AD | Alemite Div. (Stewart-Warner Corp.) | LO | Wagner Electric Co. ("Lockheed") |
| AL | Electric Auto-Lite Corp. | MAE | Monroe Auto Equipment Co. |
| AN | Ainsworth Mfg. Co. | MRC | Marlin-Rockwell Corp. |
| AVM | Atwood Vacuum Mfg. Co. | MSP | Midland Steel Products Co. |
| B&B | Borg & Beck Div. (Borg Warner Co.) | ND | New Departure Mfg. Co. (GM) |
| BN | The Bantam Bearing Co. | NP | New Process Gear, Inc. |
| BT | Bingham Stamping & Tool Div. (Logan Gear Co.) | OKS | Oakes Products Division (Houdaille-Hershey Corp.) |
| BUE | Edward G. Budd Mfg. Co. | PU | Purolator Products, Inc. |
| BX | Bendix Product Corp. | RG | Ross Gear & Tool Co. |
| CA | Columbus Auto Parts Co. | RMC | Rich Mfg. Co. |
| CAR | Carter Carburetor Corp. | SP | Spicer Mfg. Co. |
| CB | Corcoran-Brown Lamp Co. (The) | SPW | Sparks Withington Co. (The) |
| CL | Clum Mfg. Co. | SW | Stewart-Warner Corp. |
| DM | Douglas Mfg. Co., H. A. | TA | Tropic-Aire, Inc. |
| EAT | Eaton Mfg. Co. | TIM | Timken Roller Bearing Co. |
| FM | Ford Motor Co. | TP | Thompson Products, Inc. |
| FO | Flex-O-Tube Co. | TRI | Trico Products Co. |
| GM | General Motors Corp. | TRU | American Chain & Cable Co. |
| HI | Hayes Industrial, Inc. | TSE | Taylor Sales Engineering Co. |
| HLH | Holland Hitch Co. | USL | USL Battery Corp. |
| HO | Hoover Ball & Bearing Co. | WEB | Wagner Electric Brake Mfg. Co. |
| HP | Harris Products Co. | WG | Warner Gear Co. |
| HR | Harrison Radiator Division (GM) | WH | Weatherhead Co. (The) |
| HY | Hyatt Bearing Division (GM) | WIL | Wilcox Rich Division (Eaton Mfg. Co.) |
| KHW | Kelsey Hayes Wheel Co. | WO | Willys-Overland Motors, Inc. |

16. LIST OF ABBREVIATIONS. The following is a list of standard abbreviations used in this catalog:

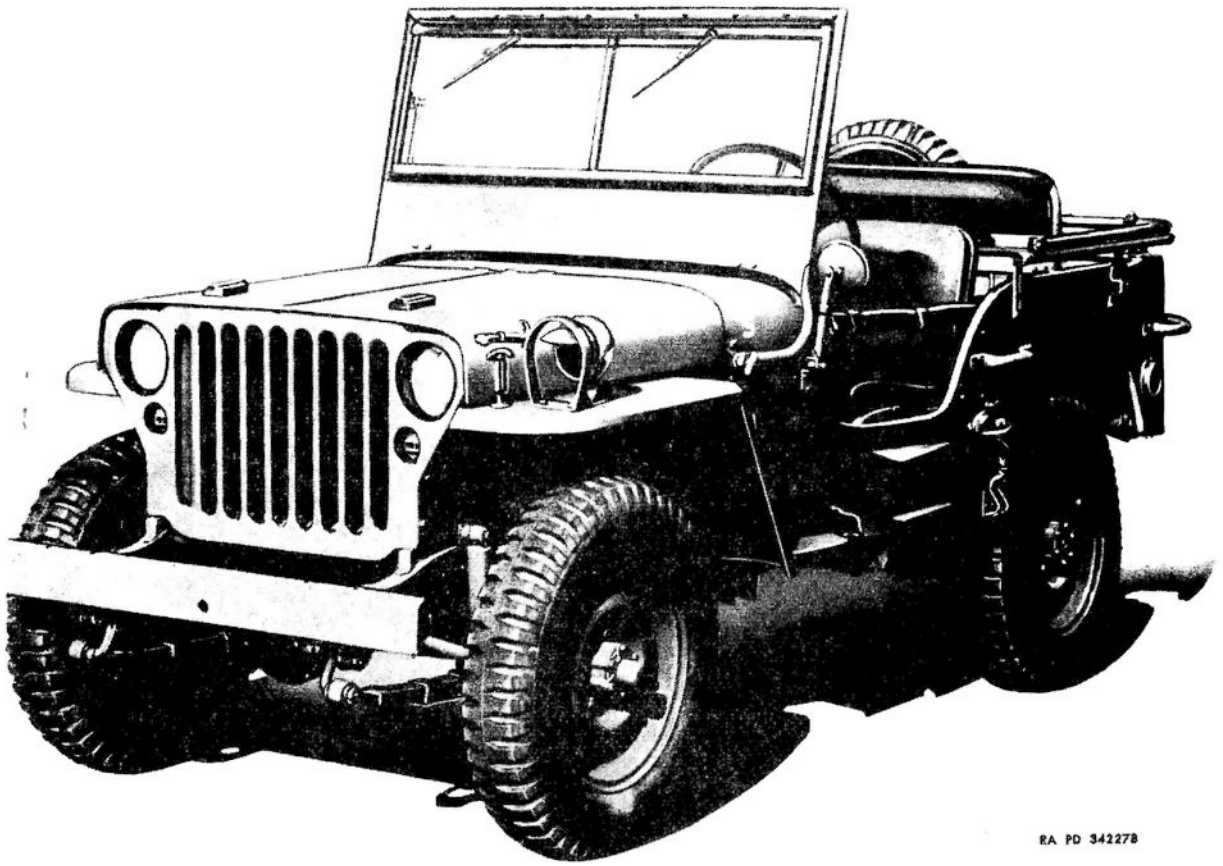
| | | | |
|---------------|---------------------------|----------------|--------------------------|
| alloy-S | alloy-steel | deg | degree |
| amp | ampere | diam | diameter |
| assy | assembly | dld f/lkg-wire | drilled for locking wire |
| bdg-hd | binding head | ea | each |
| b-hd | button head | elec | electric |
| blk-enmld | black enameled | ext-teeth | external teeth |
| br | brass | fil | filament |
| bz | bronze | fil-hd | fillister head |
| cand bay base | candelabra bayonet base | fin | finished |
| cd-pltd | cadmium plated | fl-hd | flat head |
| CI | cast iron | ft | foot (or feet) |
| ck-hd | countersunk head | glvd | galvanized |
| cold-fin-s | cold finished steel | hd | head |
| contd | continued | hex | hexagon |
| cop | copper | hex-hd | hexagonal head |
| corr-res-S | corrosion resistant steel | ID | inside diameter |
| cp | candlepower | ie | for example |
| etd | coated | in | inches |
| dbl | double | incand | incandescent |
| dbl-tun-fil | double tungsten filament | int-ext-teeth | internal external teeth |
| dc | direct current | int-teeth | internal teeth |

| | | | |
|---------------|----------------------------|-------------------|---------------------------------|
| lb..... | pound | ru..... | rubber |
| ld-ctd..... | lead coated | S..... | steel |
| lg..... | long | SAE..... | Society of Automotive Engineers |
| lgh..... | length | SC..... | single contact |
| LH..... | left hand | s-fin..... | semi-finished |
| mach..... | machine | sgle-tun-fil..... | single tungsten filament |
| med..... | medium | sq..... | square |
| MFD..... | microfarad | sq-ends..... | square ends |
| MI..... | malleable iron | sq-hd..... | square head |
| min..... | miniature, minimum, minute | sq-nk..... | square necked |
| mm..... | millimeter | SR..... | single row |
| NC..... | national coarse | std..... | standard |
| NF..... | national fine | stght..... | straight |
| ni-S..... | nickel steel | T..... | teeth |
| No..... | number | tee-hdle..... | tee handle |
| NPT..... | national pipe thread | term..... | terminal |
| NS..... | national form special | thd..... | threaded |
| OD..... | outside diameter | thk..... | thick |
| oz..... | ounce | US std..... | US standard |
| phos-ctd..... | phosphate coated | v..... | volts |
| psi..... | pounds per square inch | w..... | watt |
| pt..... | point | w/..... | with |
| rd-end..... | round end | w/o..... | without |
| rd-hd..... | round head | zn..... | zinc |
| reg..... | regular | zn-pltd..... | zinc plated |
| RH..... | right hand | | |



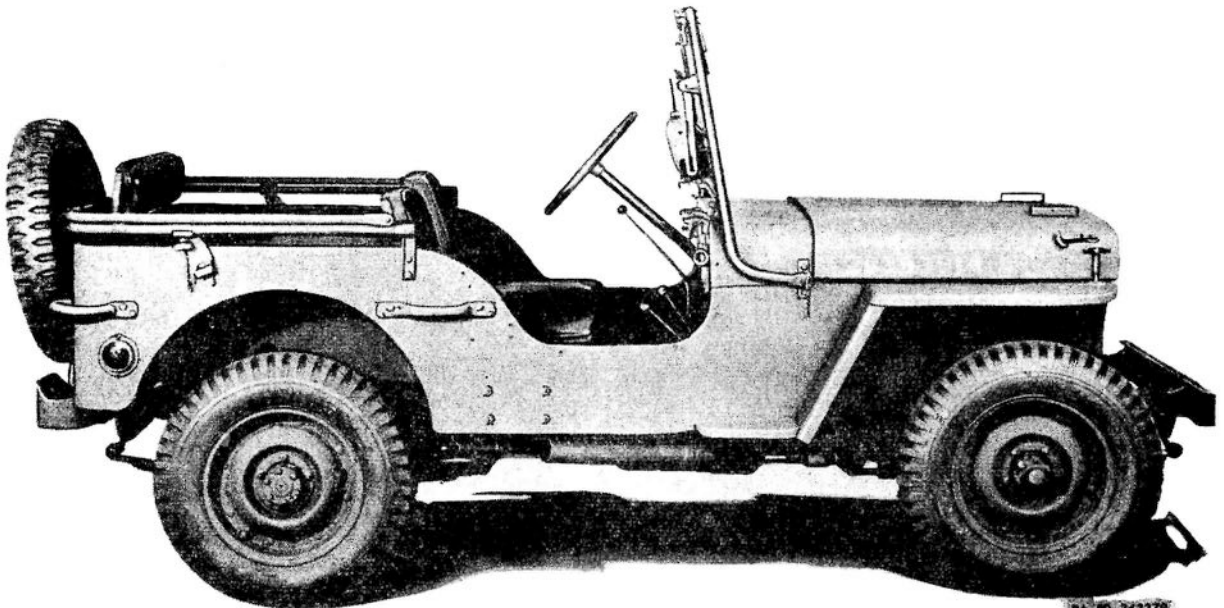
RA PD 342253

Figure A. Truck, 1/4-ton, 4 x 4—1/4 right front view.



RA PD 342278

Figure B. Truck, 1/4-ton, 4 x 4—1/4 left front view.



RA PD 342279

Figure C. Truck, 1/4-ton, 4 x 4—right side view.

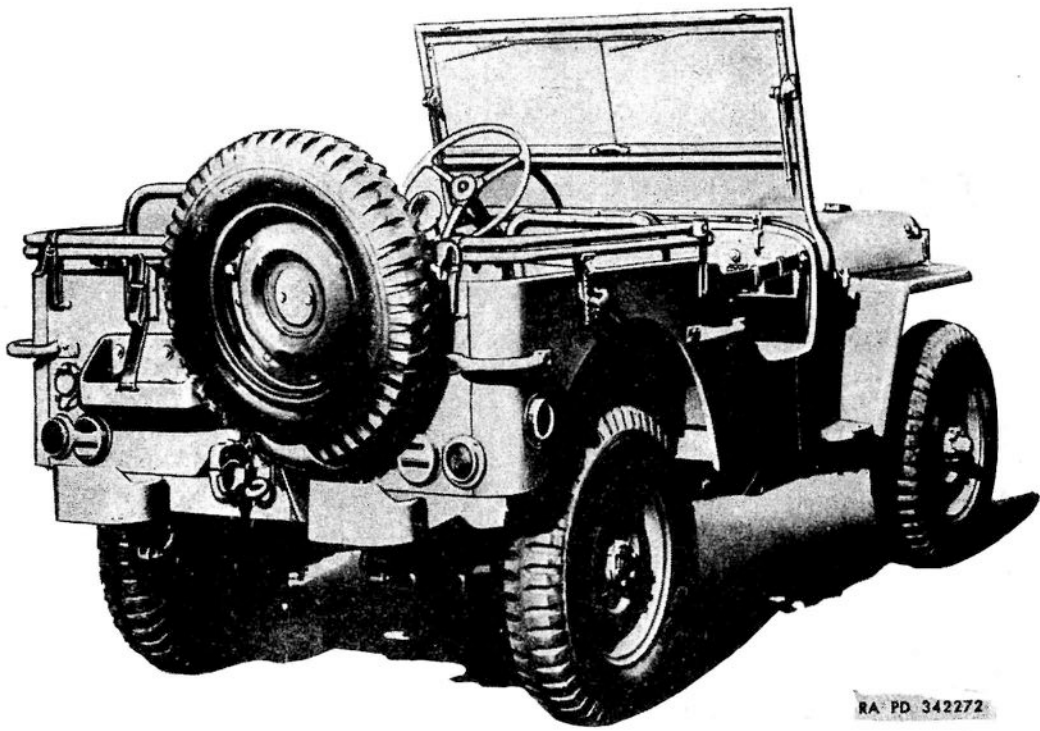


Figure D. Truck, 1/4-ton, 4 x 4—right rear view.

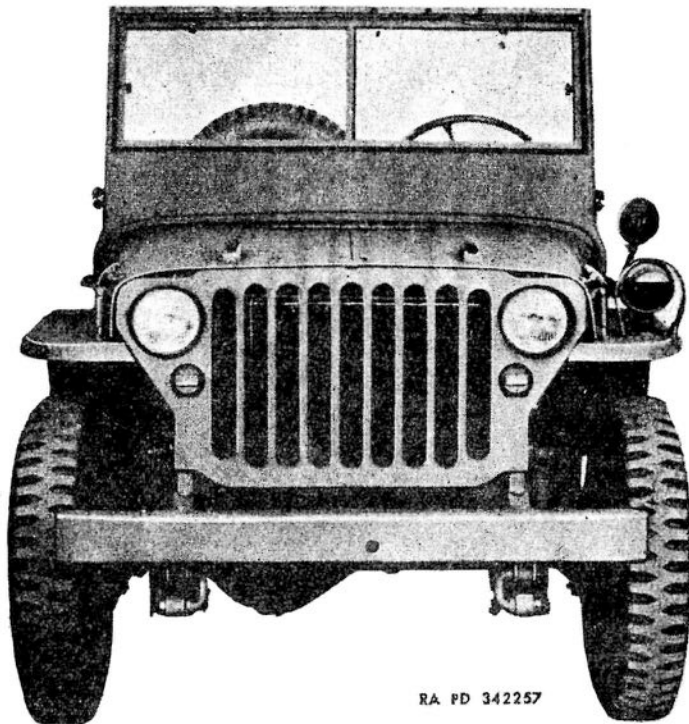
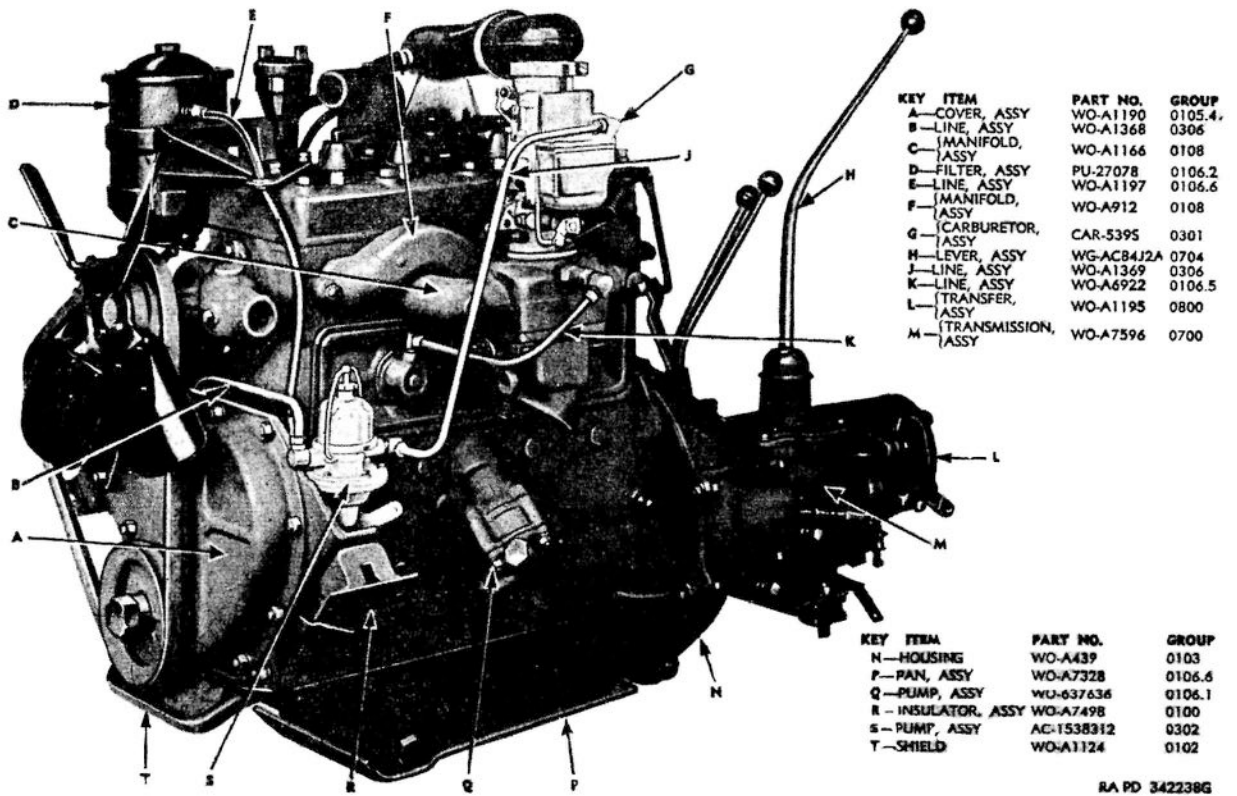
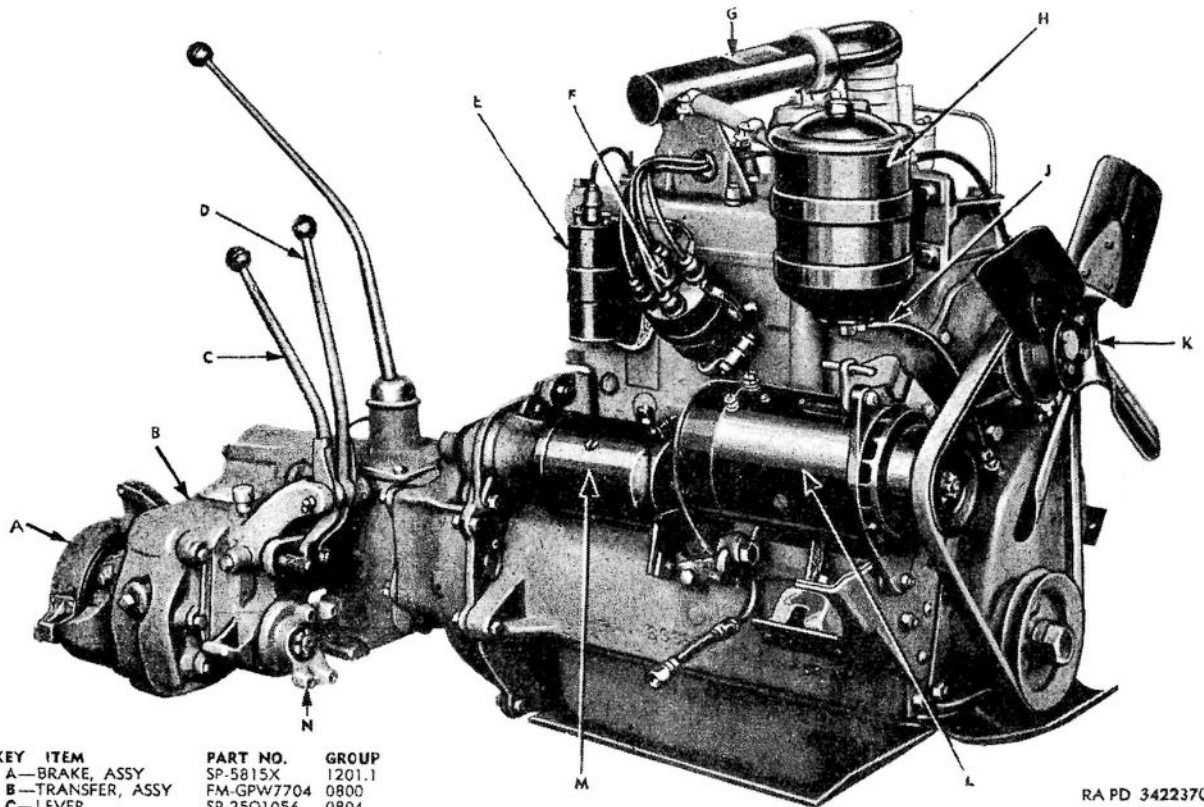


Figure E. Truck, 1/4-ton, 4 x 4—front view.



RA PD 342238G

Figure 01-1. Power plant—left side view.



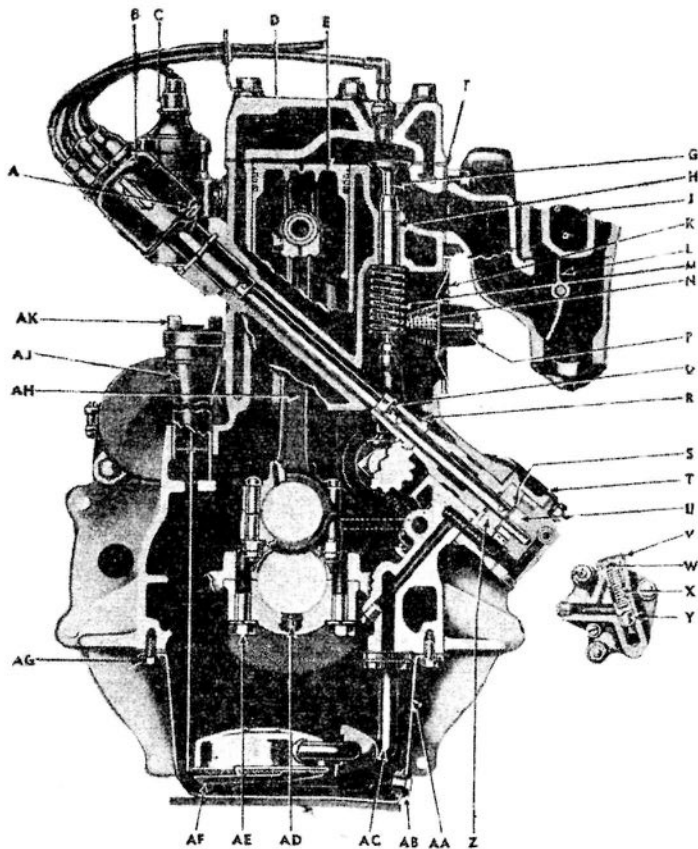
| KEY ITEM | PART NO. | GROUP |
|--------------------|------------|--------|
| A—BRAKE, ASSY | SP-5815X | 1201.1 |
| B—TRANSFER, ASSY | FM-GPW7704 | 0800 |
| C—LEVER | SP-25Q1056 | 0804 |
| D—LEVER | SP-25Q1055 | 0804 |
| E—COIL, ASSY | AL-IG4070L | 0005 |
| F—DISTRIBUTOR ASSY | AL-IAD4008 | 0604.1 |
| G—TUBE, ASSY | WO-A6911 | 0304 |

| KEY ITEM | PART NO. | GROUP |
|----------------|----------|--------|
| H—FILTER, ASSY | PU-27078 | 0166.2 |
| J—LINE, ASSY | WC-A1198 | 0106.6 |
| K—FAN, ASSY | HI-88632 | 0505 |

| KEY ITEM | PART NO. | GROUP |
|-------------------|-------------|--------|
| L—GENERATOR, ASSY | AL-GEG5101D | 0601.1 |
| M—STARTER, ASSY | AL-MZ4113 | 0603 |
| N—YOKE, ASSY | SP-K2-4-88X | 0900 |

RA PD 342237G

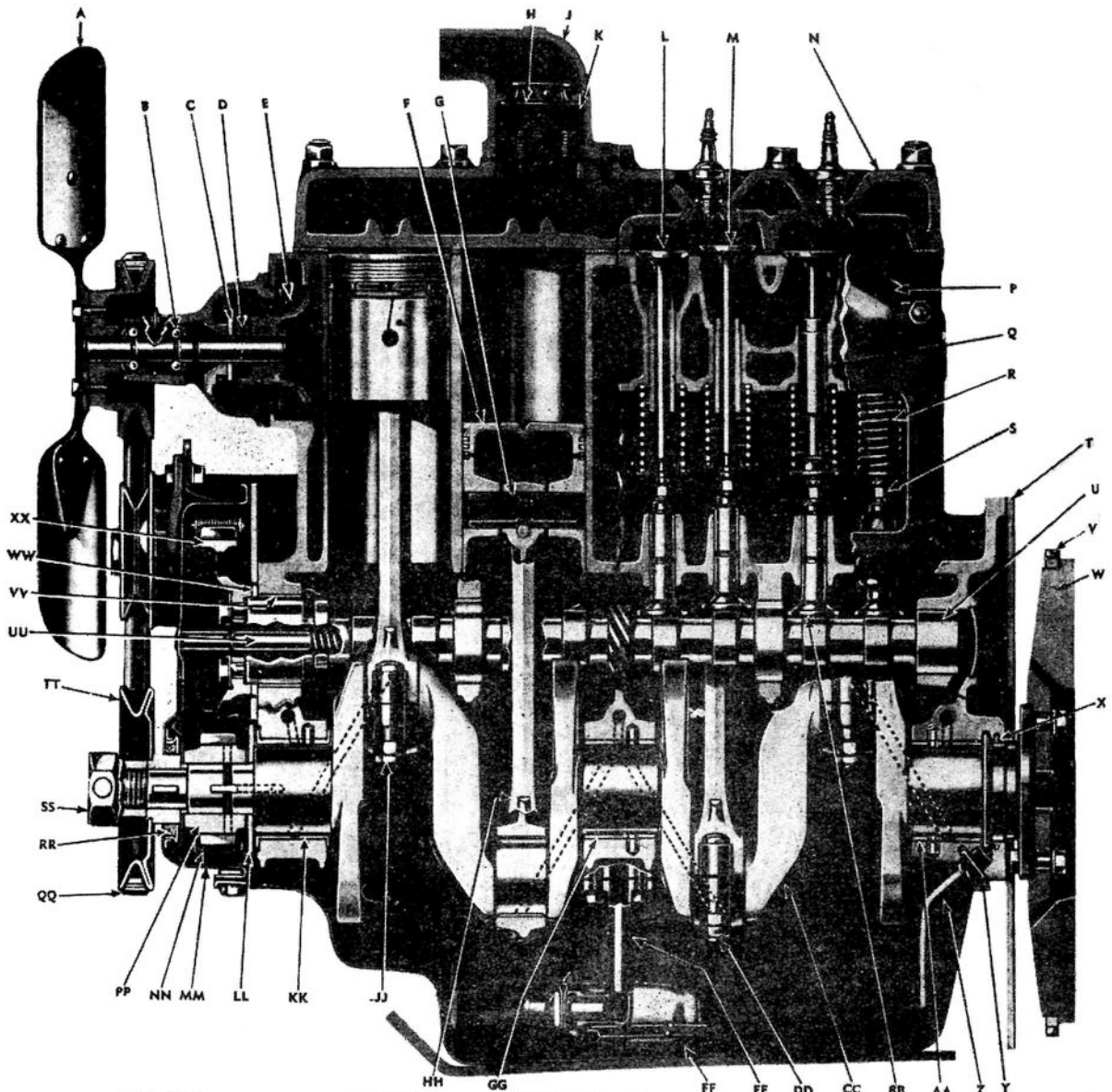
Figure 01-2. Power plant—right side view.



| KEY LTR | PART NO. | GROUP |
|---------------------|------------|--------|
| A—CUP | 45-C-9272 | 0604.1 |
| E—DISTRIBUTOR, ASSY | AL-1AD4008 | 0604.1 |
| C—COIL | AL-1G4070L | 0605 |
| D—HEAD | WO-A1534 | 0101 |
| E—PISTON, ASSY | WO-637041 | 0104 |
| F—GASKET | WO-638640 | 0108 |
| G—VALVE | PMC-A366 | 0105.1 |
| H—GUIDE | WO-375811 | 0105.1 |
| J—MANIFOLD, ASSY | WO-A1165 | 0108 |
| K—COVER | WO-630303 | 0105.1 |
| L—VALVE | WO-636439 | 0108 |
| M—SPRING | WO-638636 | 0105.1 |
| N—BAFFLE | WO-630298 | 0106.5 |
| P—BOLT | WO-632158 | 0105.1 |
| Q—SPRING | WO-637615 | 0604.1 |
| R—GEAR | WO-637425 | 0106.1 |
| S—DISK | WO-636600 | 0106.1 |
| T—PUMP | WO-637636 | 0106.1 |
| U—PINION | WO-343306 | 0106.1 |
| V—RETAINER | WO-630390 | 0106.1 |
| W—SHIM | WO-630389 | 0106.1 |
| X—SPRING | WO-356155 | 0106.1 |
| Y—PLUNGER | WO-630518 | 0106.1 |
| Z—SHAFT, ASSY | WO-636599 | 0106.1 |
| AA—FAN, ASSY | WO-A7328 | 0106.6 |
| AB—PLUG | WO-639979 | 0106.6 |
| AC—SUPPORT | WO-630397 | 0106.6 |
| AD—PIN | WO-635377 | 0102.1 |
| AE—SCREW | WO-381519 | 0102 |
| AF—FLOAT, ASSY | TSE-2158 | 0106.6 |
| AG—SCREW | 120228 | 0106.6 |
| AH—ROD, ASSY | WO-640072 | 0104.1 |
| AJ—PIPE, ASSY | WO-A6915 | 0106.6 |
| AK—GAGE, ASSY | WO-A6525 | 0106.6 |

RA PD 342259G

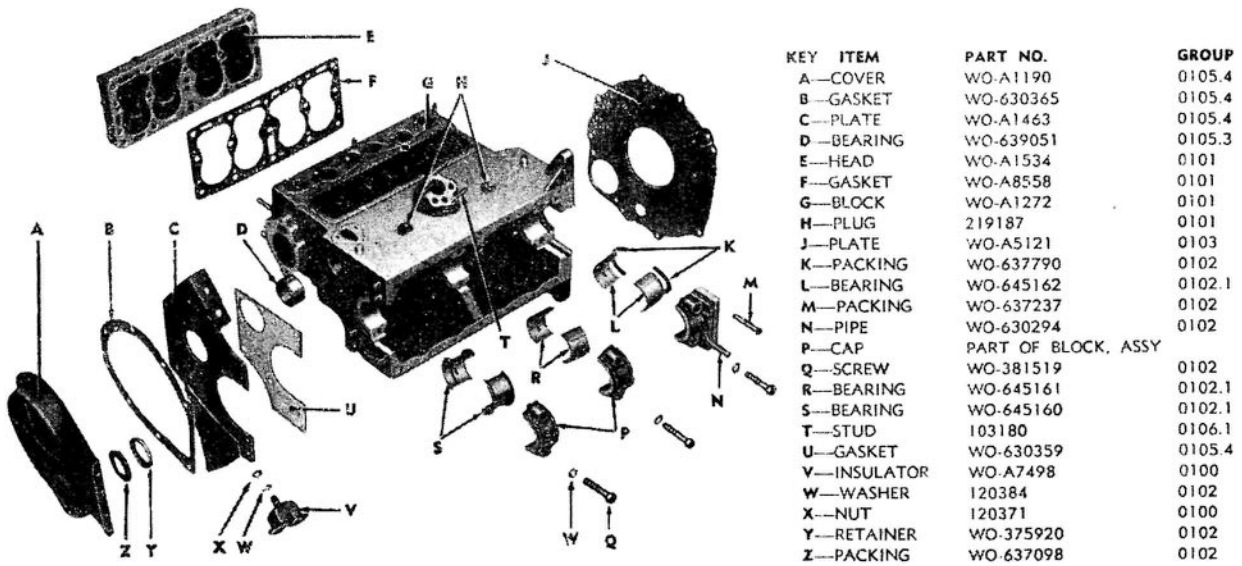
Figure 01-3. Engine—cross section.



| KEY ITEM | PART NO. | GROUP | KEY ITEM | PART NO. | GROUP |
|--------------------|-------------|--------|---------------------|-------------|--------|
| A-FAN, ASSY | HI-88632 | 0505 | Z-PIPE | WO-630294 | 0102 |
| B-BEARING | 710161 | 0504 | AA-BEARING, ASSY | WO-645162 | 0102.1 |
| C-WASHER | WO-640034 | 0504 | BB-TAPPET | WIL-5T1265 | 0105.2 |
| D-SEAL, ASSY | WO-640031 | 0504 | CC-CRANKSHAFT, ASSY | WO-A7568 | 0102 |
| E-IMPELLER | WO-639993 | 0504 | DD-BOLT | WO-637020 | 0104.1 |
| F-PISTON | WO-636954 | 0104 | EE-SUPPORT | WO-630397 | 0106.6 |
| G-PIN | WO-636961 | 0104 | FF-FLOAT, ASSY | TSE-2158 | 0106.6 |
| H-THERMOSTAT, ASSY | HR-3108628 | 0503 | GG-BEARING, ASSY | WO-645161 | 0102.1 |
| J-ELBOW | WO-A1192 | 0503 | HH-ROD, ASSY | WO-640072 | 0104.1 |
| K-RETAINER | WO-639651 | 0503 | JJ-NUT | 107824 | 0104.1 |
| L-VALVE | RMC-A366 | 0105.1 | KK-BEARING, ASSY | WO-645160 | 0102.1 |
| M-VALVE | RMC-A365 | 0105.1 | LL-WASHER | WO-634796 | 0102 |
| N-HEAD | WO-A1534 | 0101 | MM-COVER, ASSY | WO-A1190 | 0105.4 |
| P-MANIFOLD | FM-GPW-9428 | 0108 | NN-CHAIN | LK-S-40936 | 0105.4 |
| Q-GUIDE | WO-637045 | 0105.1 | PP-SPROCKET | LK-S35116-1 | 0105.4 |
| R-SPRING | WO-638636 | 0105.1 | QQ-BELT | 507226 | 0505 |
| S-SCREW | WO-640020 | 0105.2 | RR-PACKING | WO-637098 | 0102 |
| T-PLATE | WO-A5121 | 0103 | SS-NUT, ASSY | WO-387633 | 0102 |
| U-CAMSHAFT | WO-637065 | 0105.3 | TT-PULLEY | WO-638113 | 0102 |
| V-GEAR | WO-635394 | 0103 | UU-PLUNGER | WO-375907 | 0105.3 |
| W-FLYWHEEL ASSY | WO-A7503 | 0103 | VV-BEARING | WO-639051 | 0105.3 |
| X-PACKING | WO-637237 | 0102 | WW-WASHER | WO-375900 | 0105.3 |
| Y-PIN | 112011 | 0102 | XX-SPROCKET | LK-S35117-1 | 0105.4 |

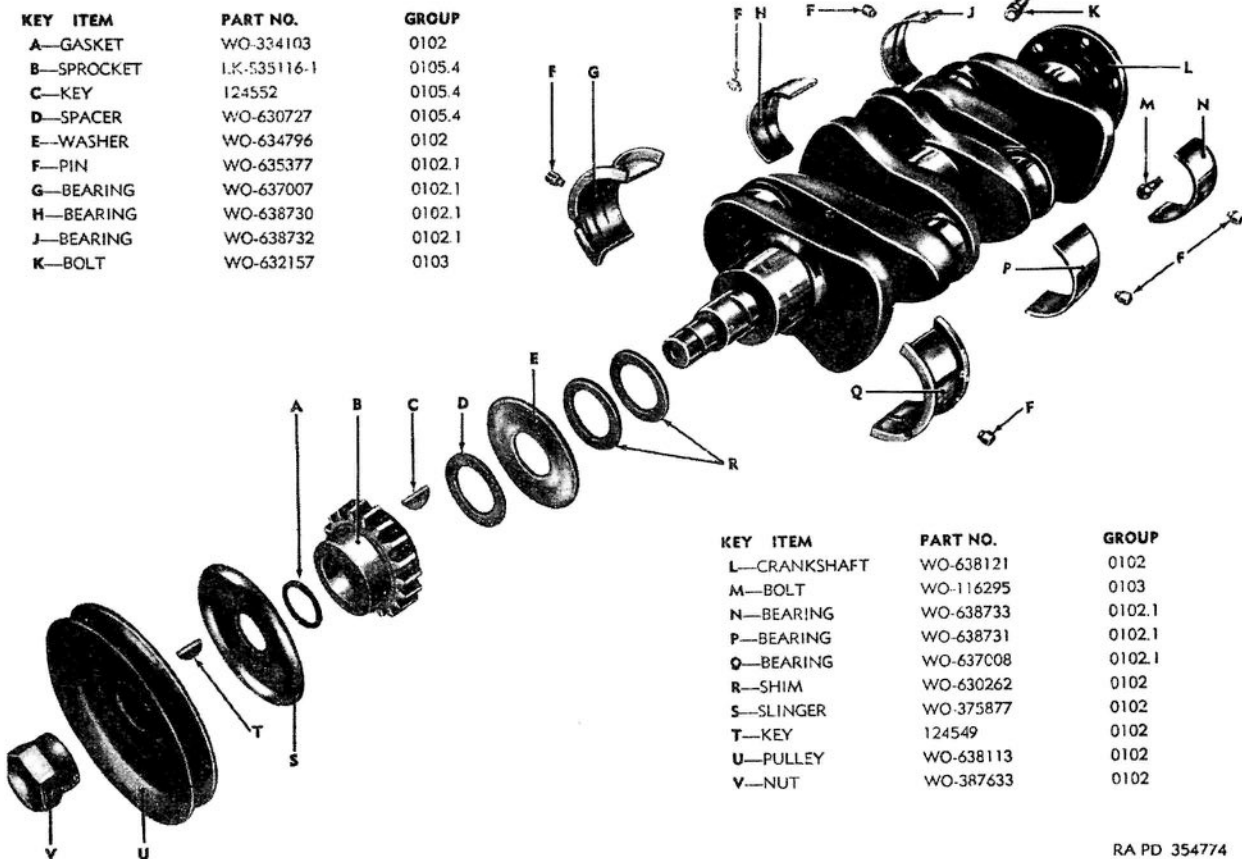
RA PD 342291G

Figure 01-4. Engine—longitudinal section.



RA PD 28660G

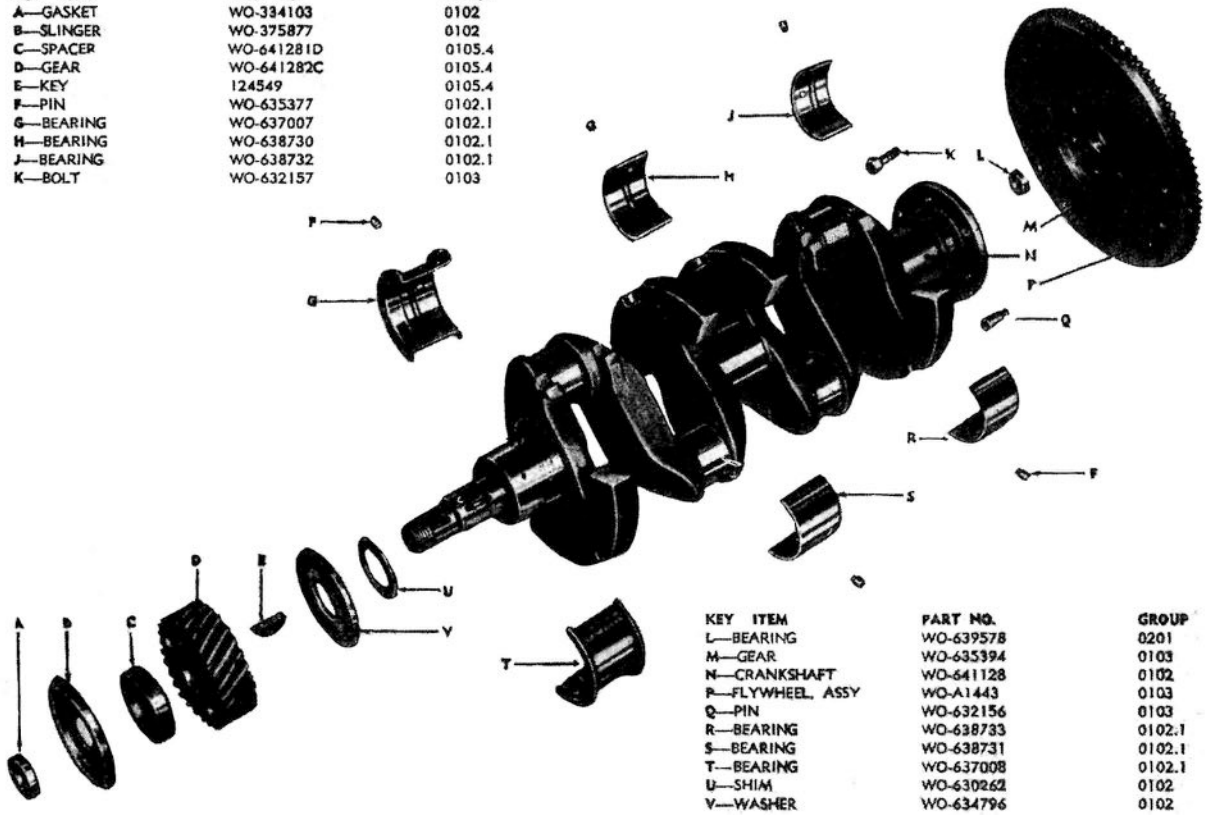
Figure 01-5. Engine block, covers, and bearings—exploded view.



RA PD 354774

Figure 01-6. Crankshaft and bearings (for chain camshaft drive)—exploded view.

| KEY ITEM | PART NO. | GROUP |
|-----------|------------|--------|
| A—GASKET | WO-334103 | 0102 |
| B—SLINGER | WO-375877 | 0102 |
| C—SPACER | WO-641281D | 0105.4 |
| D—GEAR | WO-641282C | 0105.4 |
| E—KEY | 124549 | 0105.4 |
| F—PIN | WO-635377 | 0102.1 |
| G—BEARING | WO-637007 | 0102.1 |
| H—BEARING | WO-638730 | 0102.1 |
| J—BEARING | WO-638732 | 0102.1 |
| K—BOLT | WO-632157 | 0103 |

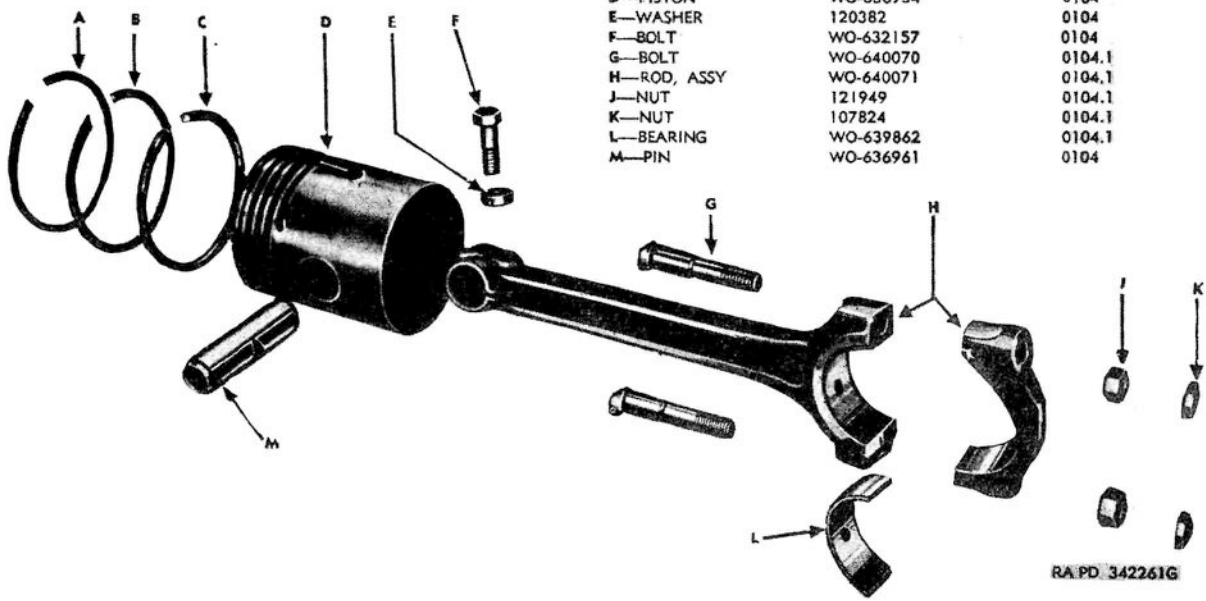


| KEY ITEM | PART NO. | GROUP |
|------------------|-----------|--------|
| L—BEARING | WO-639578 | 0201 |
| M—GEAR | WO-635394 | 0103 |
| N—CRANKSHAFT | WO-641128 | 0102 |
| P—FLYWHEEL, ASSY | WO-A1443 | 0103 |
| Q—PIN | WO-632156 | 0103 |
| R—BEARING | WO-638733 | 0102.1 |
| S—BEARING | WO-638731 | 0102.1 |
| T—BEARING | WO-637008 | 0102.1 |
| U—SHIM | WO-630262 | 0102 |
| V—WASHER | WO-634796 | 0102 |

RA PD 355081

Figure 01-7. Crankshaft and bearings (for gear camshaft drive)—exploded view.

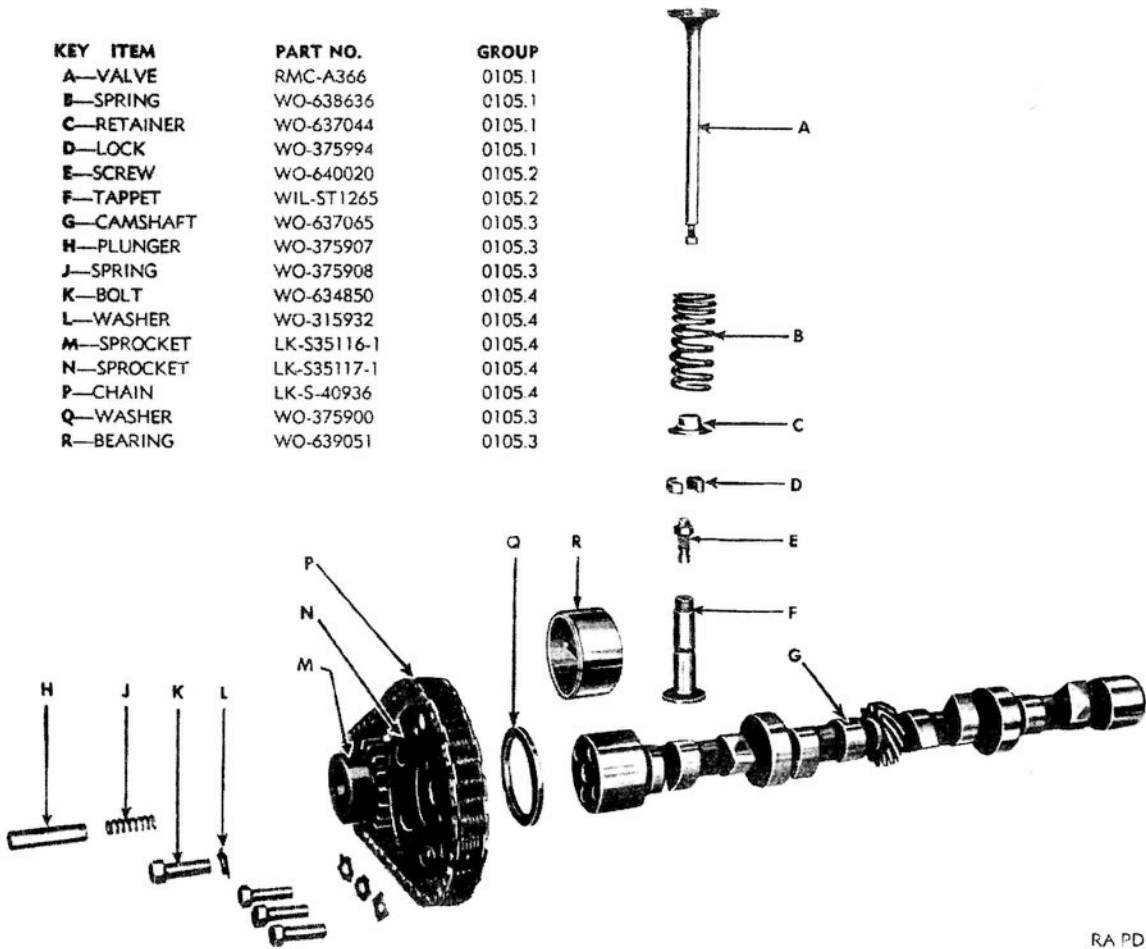
| KEY ITEM | PART NO. | GROUP |
|-------------|-----------|--------|
| A—RING | WO-639864 | 0104 |
| B—RING | WO-637042 | 0104 |
| C—RING | WO-116616 | 0104 |
| D—PISTON | WO-636954 | 0104 |
| E—WASHER | 120382 | 0104 |
| F—BOLT | WO-632157 | 0104 |
| G—BOLT | WO-640070 | 0104.1 |
| H—ROD, ASSY | WO-640071 | 0104.1 |
| J—NUT | 121949 | 0104.1 |
| K—NUT | 107824 | 0104.1 |
| L—BEARING | WO-639862 | 0104.1 |
| M—PIN | WO-636961 | 0104 |



RA PD 342261G

Figure 01-8. Piston and connecting rod—exploded view.

| KEY ITEM | PART NO. | GROUP |
|------------|-------------|--------|
| A—VALVE | RMC-A366 | 0105.1 |
| B—SPRING | WO-638636 | 0105.1 |
| C—RETAINER | WO-637044 | 0105.1 |
| D—LOCK | WO-375994 | 0105.1 |
| E—SCREW | WO-640020 | 0105.2 |
| F—TAPPET | WIL-ST1265 | 0105.2 |
| G—CAMSHAFT | WO-637065 | 0105.3 |
| H—PLUNGER | WO-375907 | 0105.3 |
| J—SPRING | WO-375908 | 0105.3 |
| K—BOLT | WO-634850 | 0105.4 |
| L—WASHER | WO-315932 | 0105.4 |
| M—SPROCKET | LK-S35116-1 | 0105.4 |
| N—SPROCKET | LK-S35117-1 | 0105.4 |
| P—CHAIN | LK-S-40936 | 0105.4 |
| Q—WASHER | WO-375900 | 0105.3 |
| R—BEARING | WO-639051 | 0105.3 |



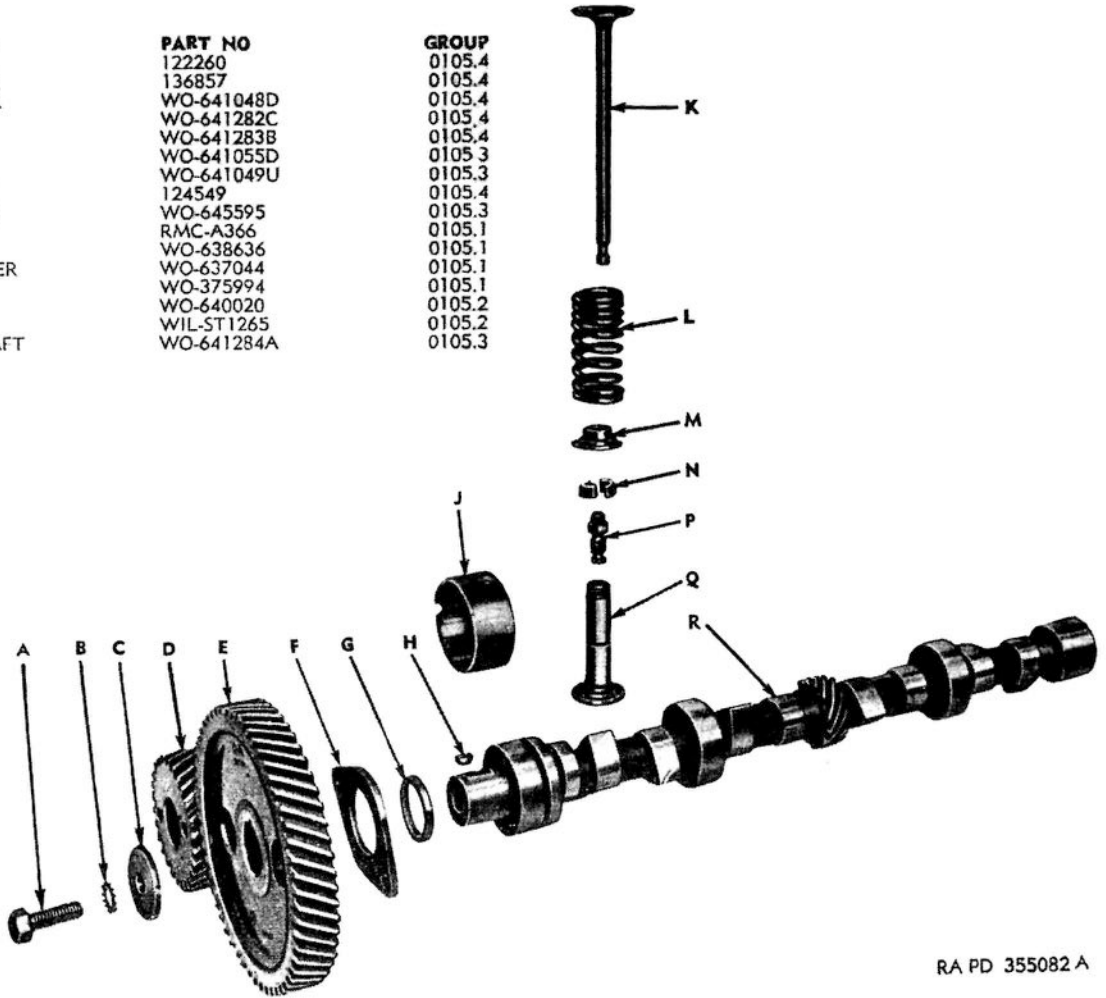
RA PD 342284G

Figure 01-9. Camshaft, timing chain, and valve—exploded view.

KEY ITEM
 A—SCREW
 B—WASHER
 C—WASHER
 D—GEAR
 E—GEAR
 F—PLATE
 G—SPACER
 H—KEY
 J—BEARING
 K—VALVE
 L—SPRING
 M—RETAINER
 N—LOCK
 P—SCREW
 Q—TAPPET
 R—CAMSHAFT

PART NO
 122260
 136857
 WO-641048D
 WO-641282C
 WO-641283B
 WO-641055D
 WO-641049U
 124549
 WO-645595
 RMC-A366
 WO-638636
 WO-637044
 WO-375994
 WO-640020
 WIL-ST1265
 WO-641284A

GROUP
 0105.4
 0105.4
 0105.4
 0105.4
 0105.4
 0105.3
 0105.3
 0105.4
 0105.3
 0105.1
 0105.1
 0105.1
 0105.1
 0105.2
 0105.2
 0105.3



RA PD 355082 A

Figure 01-10. Camshaft, timing gear, and valve—exploded view.

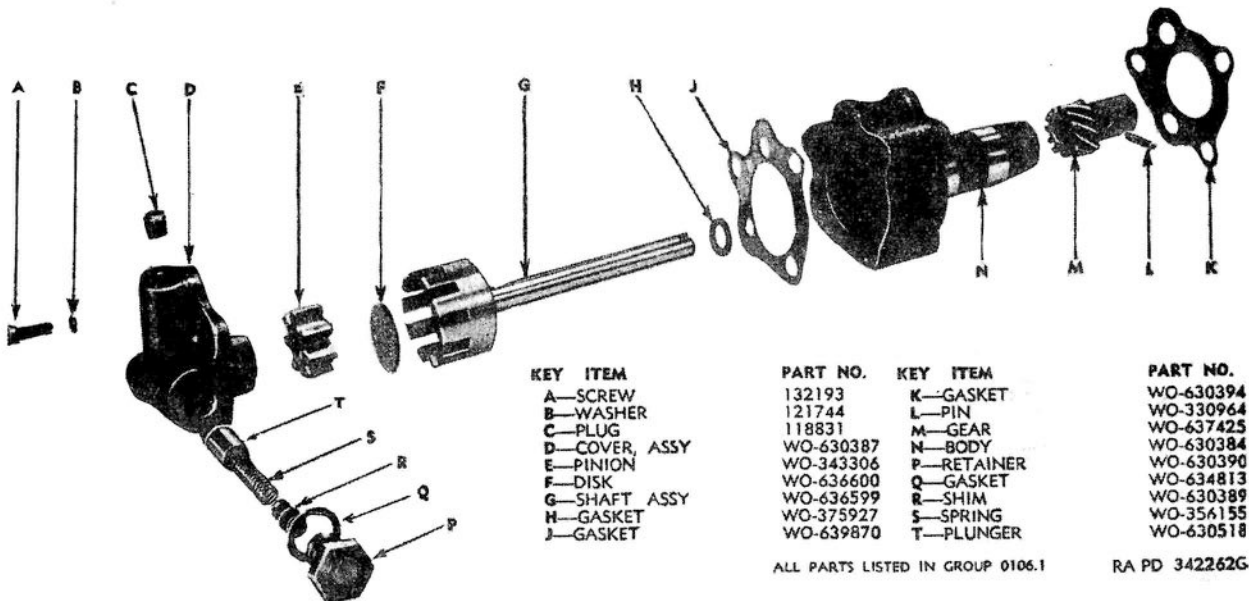


Figure 01-11. Oil pump (WO-637636)—exploded view.

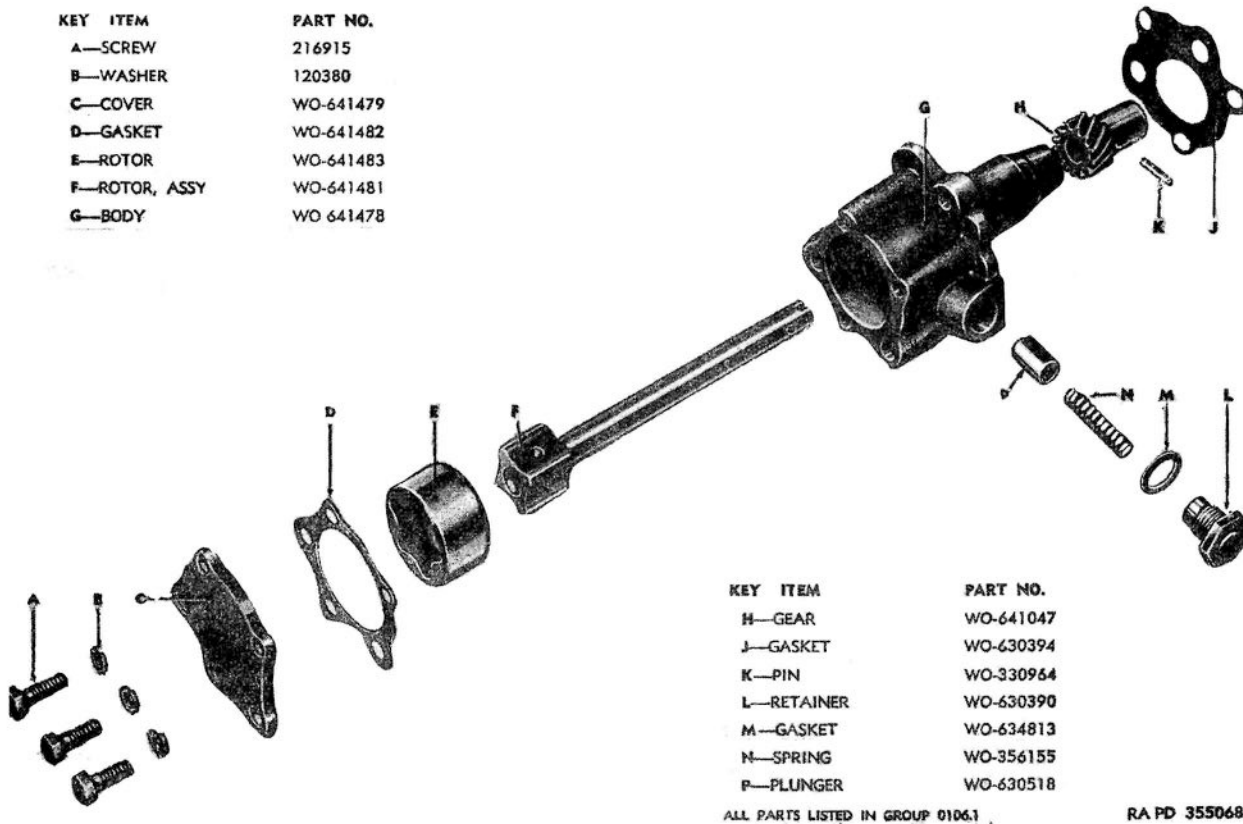
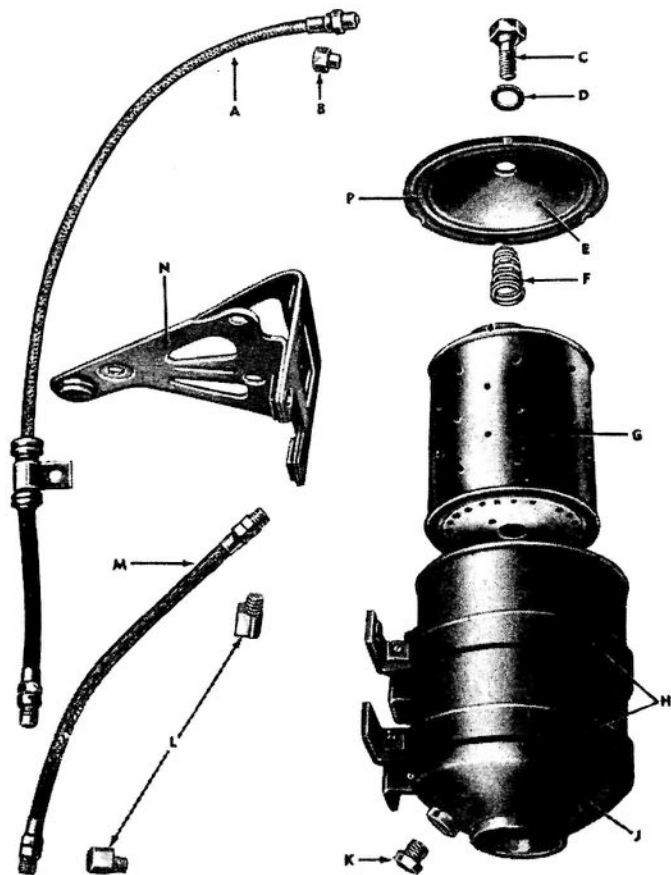


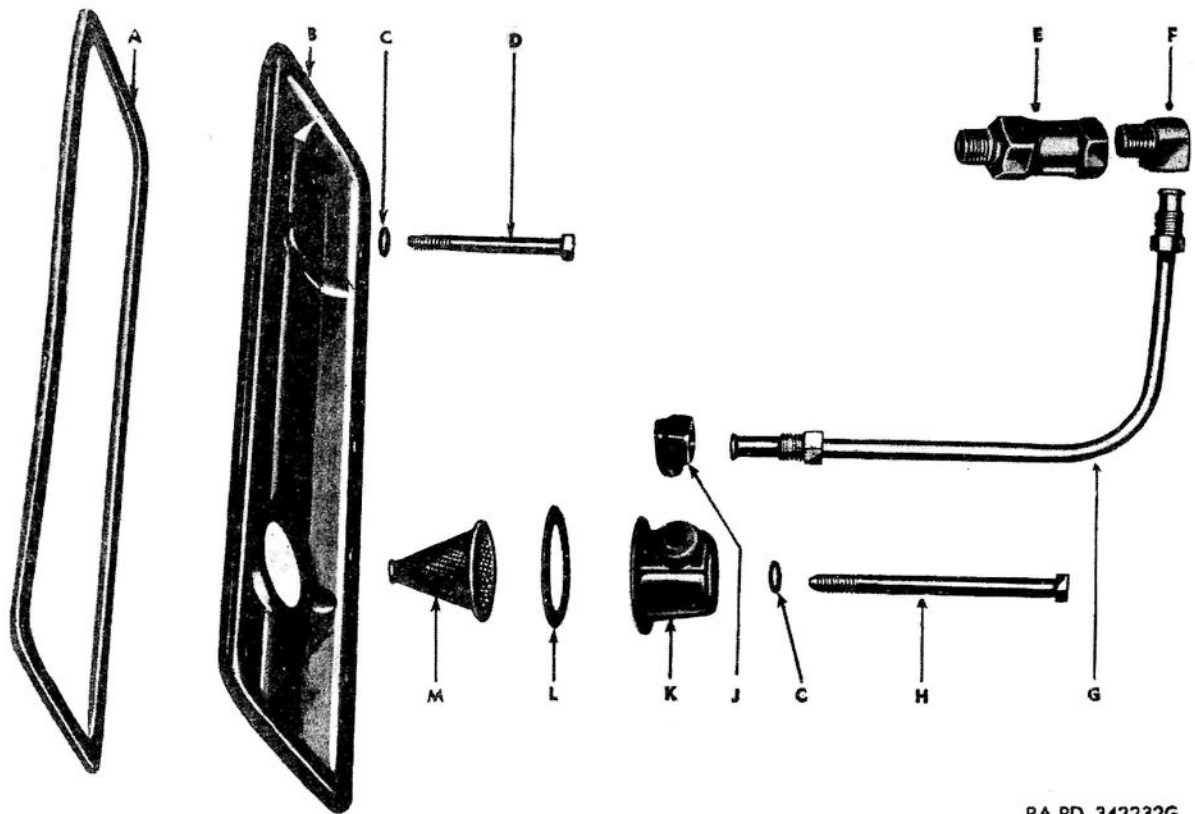
Figure 01-12. Oil pump (WO-641046C)—exploded view.



| KEY ITEM | PART NO. | GROUP |
|-----------------|----------|--------|
| A—LINE, ASSY | WO-A1197 | 0106.6 |
| B—CONNECTOR | 137405 | 0106.6 |
| C—BOLT | PU-25755 | 0106.2 |
| D—GASKET | PU-25756 | 0106.2 |
| E—COVER | PU-25791 | 0106.2 |
| F—SPRING | PU-25757 | 0106.2 |
| G—ELEMENT, ASSY | PU-26637 | 0106.2 |
| H—CLAMP, ASSY | WO-A1251 | 0106.2 |
| J—CASE, ASSY | WO-A6818 | 0106.2 |
| K—PLUG | PU-25795 | 0106.2 |
| L—ELBOW | 137421 | 0106.6 |
| M—LINE, ASSY | WO-A1198 | 0106.6 |
| N—BRACKET | WO-A1247 | 0106.2 |
| P—GASKET | PU-25802 | 0106.2 |

RA PD 355083

Figure 01-13. Oil filter and lines—exploded view.



RA PD 342232G

KEY ITEM
 A—GASKET
 B—COVER
 C—GASKET
 D—BOLT
 E—VALVE, ASSY
 F—ELBOW

PART NO.
 WO-630305
 WO-630303
 WO-51875
 WO-639052
 WO-A6895
 143343

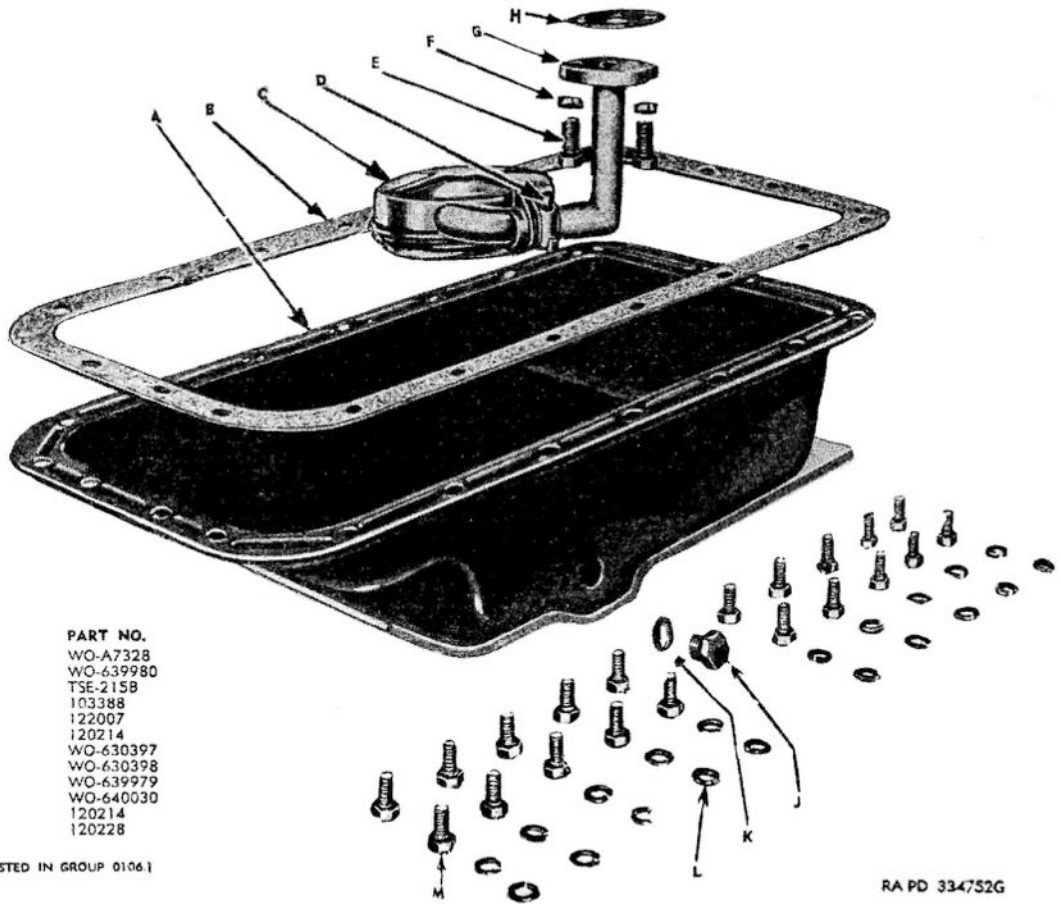
GROUP
 0105.1
 0105.1
 0105.1
 0105.1
 0106.5
 0106.5

KEY ITEM
 G—LINE, ASSY
 H—BOLT
 J—ELBOW
 K—VENTILATOR
 L—GASKET
 M—BAFFLE

PART NO.
 WO-A6922
 WO-632158
 137422
 WO-A6919
 WO-630299
 WO-630298

GROUP
 0106.5
 0105.1
 0106.5
 0106.5
 0106.5
 0106.5

Figure 01-14. Valve cover and ventilator—exploded view.

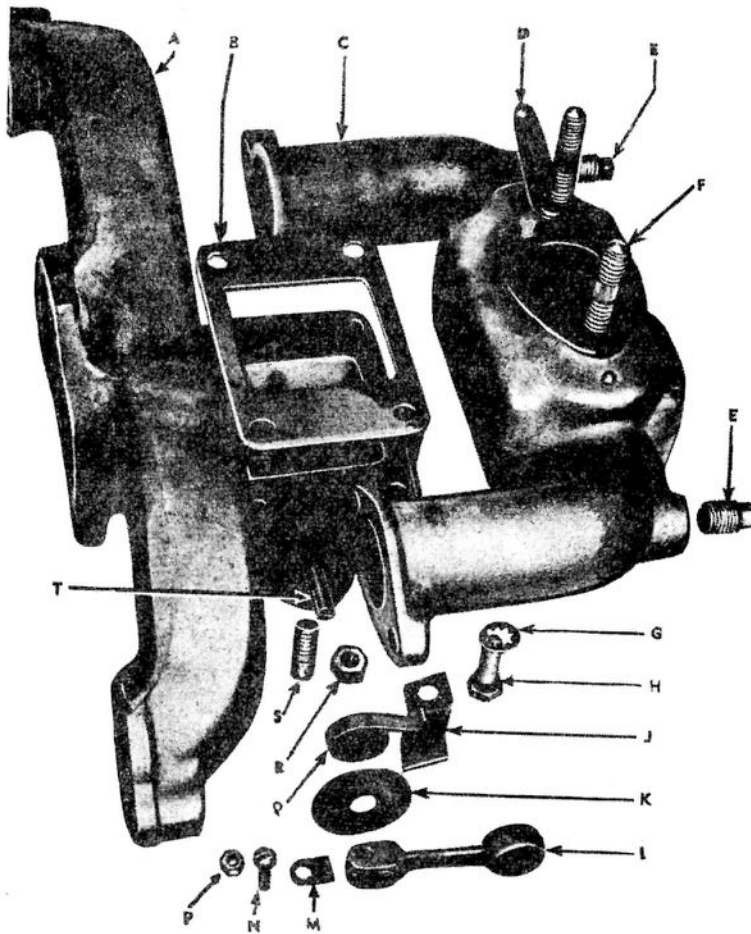


| KEY ITEM | PART NO. |
|---------------|-----------|
| A—PAN | WO-A7328 |
| B—GASKET | WO-639980 |
| C—FLOAT, ASSY | TSE-215B |
| D—PIN | 103388 |
| E—SCREW | 122007 |
| F—WASHER | 120214 |
| G—SUPPORT | WO-630397 |
| H—GASKET | WO-630398 |
| J—PLUG | WO-639979 |
| K—GASKET | WO-640030 |
| L—WASHER | 120214 |
| M—SCREW | 120228 |

ALL PARTS LISTED IN GROUP 01061

RA PD 334752G

Figure 01-15. Oil pan and oil strainer—exploded view.



| KEY ITEM | PART NO. | GROUP |
|---------------------|-----------|-------|
| A—{MANIFOLD ASSY | WO-A912 | 0108 |
| B—GASKET | WO-634811 | 0108 |
| C—{MANIFOLD ASSY | WO-A1166 | 0108 |
| D—CLIP | WO-A1173 | 0312 |
| E—PLUG | 117244 | 0108 |
| F—STUD | WO-632159 | 0301 |
| G—WASHER | 138538 | 0108 |
| H—SCREW | 215366 | 0108 |
| J—STOP | WO-639743 | 0108 |
| K—WASHER | WO-637209 | 0108 |
| L—LEVER | WO-637210 | 0108 |
| M—KEY | WO-637211 | 0108 |
| N—SCREW | WO-5272 | 0108 |
| P—NUT | WO-A1701 | 0108 |
| Q—SPRING | WO-637208 | 0108 |
| R—NUT | 219432 | 0401 |
| S—STUD | 191992 | 0401 |
| T—SHAFT | WO-637206 | 0108 |

RA PD 342268G

Figure 01-16. Manifolds and heat control—exploded view.

| (1) NOTE SYMBOL | (2) STOCK NO. | (3) ORDNANCE PART NO. | (4) MFR'S PART NO. | (5) FIGURE NO. | (6) NOMENCLATURE | (7) UNIT OF MEAS- URE | (8) QUAN- TITY PER UNIT ASSEM- BLY |
|---------------------------------------|------------------|-----------------------------|--------------------------------------|-------------------|----------------------------------------------------------------------------------------------------------------------------------------------------------------------------------------------------------------------------------------------------------------------------------------------|-----------------------------------|------------------------------------------------------|
| GROUP-01-ENGINE | | | | | | | |
| 0100-ENGINE AND MOUNTING PARTS | | | | | | | |
| G-9 | 3320-GPW6043 | ----- | WO-A146 FM-GPW6043 | ----- | BRACKET, mounting, rear, assy----- | ea | 1 |
| H-1 | H001-5420481 | 122104 | ----- | ----- | SCREW, cap, hex-hd, S, cd or zn-pltd, 3/8-16NC-3 x 3/4. | ea | 3 |
| H-1 | H001-5420521 | 122119 | ----- | ----- | SCREW, cap, hex-hd, S, cd or zi-pltd, 3/8-16NC-3 x 3/4. | ea | 1 |
| H-1 | H001-7025741 | 120382 | ----- | ----- | WASHER, lock, med, S, cd or zn-pltd, 3/8 in-- | ea | 4 |
| G-9 | 3320-GPW6044 | ----- | WO-A5125 FM-GPW6044 | ----- | CABLE, stay, assy----- | ea | 1 |
| H-1 | H001-4027541 | 225831 | ----- | ----- | NUT, hex, s-fin, light, S, cd or zn-pltd, 3/8-24NF-2. | ea | 2 |
| H-1 | H001-4057591 | 107823 | ----- | ----- | NUT, jam, stamped, hex, light, 9 notches, S, cd or zn-pltd, 3/8-24NF. | ea | 2 |
| H-1 | H001-7025741 | 120382 | ----- | ----- | WASHER, lock, med, S, cd or zn-pltd, 3/8 in-- | ea | 2 |
| H-1 | H001-7043741 | 120392 | ----- | ----- | WASHER, plain, SAE std, S, cd or zn-pltg, 3/8 in. | ea | 2 |
| G-9 | 3320-GPW6005 | ----- | WO-A5497 FM-GPW6004 FM-GPW6005 | ----- | ENGINE, w/ACCESSORIES, assy (chain cam- shaft drive) (Includes fuel PUMP, CARBU- RETOR, DISTRIBUTOR, ignition COIL, spark PLUGS, oil PUMP and FILTER, water PUMP and THERMOSTAT, FAN and BELT, CLUTCH, flywheel HOUSING, GENERATOR and STARTER). | ea | 1 |
| G-9 | 9680-A1388 | ----- | WO-A1388 | ----- | ENGINE, w/ACCESSORIES, assy (chain cam- shaft drive) (Consists of the same parts as WO-A5497, less CLUTCH and flywheel HOUS- ING). | ea | 1 |
| | G503-7717241 | 7717241 | WO-646865 | ----- | ENGINE, w/ACCESSORIES, assy (gear cam- shaft drive) (Includes fuel PUMP, CARBU- RETOR, ignition COIL, spark PLUGS, oil PUMP and FILTER, water PUMP and THERMOSTAT, FAN and BELT, CLUTCH, flywheel HOUSING GENERATOR and STARTER) (Superseded by ENGINE assy WO-647845). | ea | 1 |

| (1) NOTE SYMBOL | (2) STOCK NO. | (3) ORDNANCE PART NO. | (4) MFR'S PART NO. | (5) FIGURE NO. | (6) NOMENCLATURE | (7) UNIT OF MEAS- URE | (8) QUAN- TITY PER UNIT ASSEM- BLY |
|-----------------------|------------------|-----------------------------|---------------------------------------|-------------------|----------------------------------------------------------------------------------------------------------------------------------------------|-----------------------------------|------------------------------------------------------|
| | | | | | GROUP 01—ENGINE—Continued | | |
| | | | | | 0100—ENGINE AND MOUNTING PARTS—Continued | | |
| | G503-7743777 | 7743777 | WO-647845 | ----- | ENGINE, w/ACCESSORIES, assy (gear cam- shaft drive, beginning w/Serial No. 142370) (Includes same parts as ENGINE assy WO- 646865). | ea | |
| G-9 | 3320-GPW6038 | ----- | WO-A542 FM-GPW6038 | ----- | INSULATOR, front support, assy (Superseded by INSULATOR WO-A7498. | ea | 2 |
| G-9 | 3320-GPW6038 | ----- | WO-A7498 FM-GPW6038A FM-GPW6038 | 01-1, 5 | INSULATOR, front support, assy----- | ea | 2 |
| H-1 | H001-4167561 | 120368 | ----- | ----- | NUT, hex, light, s-fin, S, cd or zn-pltd, $\frac{5}{16}$ -24NF-2. | ea | 4 |
| H-1 | H001-4167681 | 120371 | ----- | 01-5 | NUT, hex, light, s-fin, S, cd or zn-pltd, $\frac{1}{2}$ -20NF-2. | ea | 2 |
| H-1 | H001-5419861 | 121661 | ----- | ----- | SCREW, cap, hex-hd, S, cd or zin-pltd, $\frac{5}{16}$ -24NF-3 x 1 (Willys). | ea | 4 |
| H-1 | H101-0215411 | 215411 | ----- | ----- | SCREW, cap, hex-hd, S, cd or zn-pltd, $\frac{5}{16}$ -24NF-2 x $1\frac{1}{4}$ (Ford). | ea | 4 |
| H-1 | H001-7025711 | 120214 | ----- | ----- | WASHER, lock, med, S, cd or zn-pltg, $\frac{5}{16}$ in. | ea | 4 |
| H-1 | H001-7025801 | 120384 | ----- | ----- | WASHER, lock, med, S, cd or zn-pltg, $\frac{1}{2}$ in. | ea | 2 |
| G-9 | 3320-GPW6040A | ----- | FM-GPW6040A | ----- | INSULATOR, rear support (Superseded by IN- SULATOR WO-A6156). | ea | 1 |
| G-9 | 3320-GPW6040B | ----- | WO-A6156 FM-GPW6040B | ----- | INSULATOR, rear support----- | ea | 1 |
| H-1 | H001-4027541 | 225831 | ----- | ----- | NUT, hex, reg, s-fin, S, cd or zn-pltd, $\frac{3}{8}$ - 24NF-2. | ea | 4 |
| H-1 | H001-7025741 | 120382 | ----- | ----- | WASHER, lock, med, S, cd or zn-pltd, $\frac{3}{8}$ in. | ea | 4 |
| H-1 | H001-7043741 | 120394 | ----- | ----- | WASHER, plain, SAE std, S, cd or zn-pltd, $\frac{3}{8}$ in. | ea | 2 |
| | | 7713398 | FM-GPWS6071 | ----- | REINFORCEMENT, bracket, front support, left (for vehicles w/12-volt electrical system). | ea | 1 |
| | | 7713405 | FM-GPW6069 | ----- | REINFORCEMENT, bracket, front support, right (for vehicles w/12-volt electrical system). | ea | 1 |
| | G503-7368265 | 7368265 | WO-A1051 FM-GPW6098 | ----- | SHIM, front support insulator----- | ea | † |

| | | | | 0101—ENGINE CYLINDER BLOCK AND HEAD | | | |
|-----|------------------------------|--------------------|---------------------------------------|------------------------------------------|---------------------------------------------------------------------------------------------------------------------------------------------------------------|----|----|
| | | | WO-A1272 FM-GPW6010 | 01-5 | BLOCK, cylinder, assy----- | ea | 1 |
| | | | WO-A6793 FM-GPW6009 | | BLOCK, cylinder, w/PISTONS, assy (Includes PISTONS, RINGS, camshaft BUSHINGS, bearing CAPS, piston PINS and valve GUIDES). | ea | 1 |
| H-6 | H106-0103647 G503-0194018 | 103647 | | | COCK, drain, tee-hdl, br, ¼ in. male pipe end. . . . | ea | 1 |
| | | | WO-638678 FM-GPW6051 | 05-4 | GASKET, cylinder head (Superseded by GASKET WO-A8558) (for engines w/chain camshaft drive). | ea | 1 |
| M-5 | G503-7343162 G503-7741412 | 7343162 7741412 | WO-A8558 FM-GPW6051B WO-638540B | 01-5 | GASKET, cylinder head (for engines w/chain camshaft drive). | ea | 1 |
| | | | | | GASKET, cylinder head (for engines w/gear camshaft drive). | ea | 1 |
| M-5 | 3320-GPW6050 G503-7741411 | | WO-A1534 FM-GPW6050 WO-641049D | 01-3, 4, 5 05-4 | HEAD, cylinder, assy (for engines w/chain cam- shaft drive). | ea | 1 |
| | | | | | HEAD, cylinder (for engines w/gear camshaft drive). | ea | 1 |
| G-9 | 3320-GPW6065 | | WO-638635 FM-GPW6065 | 05-4 | BOLT, hex-hd, alloy-S, ⅞-14NC (Superseded by STUD WO-349368). | ea | 1 |
| M-5 | G503-5333811 | A333811 | WO-638539 FM-351025S7-8 | | NUT, special hex, (1½ in.) S, zn-pltd, ⅞- 20NF-4. | ea | 16 |
| M-5 | 3320-GPW6066 | | WO-349368 WO-A1549 FM-GPW6066 | | STUD, S, cd or zn-pltd, ⅞-14NC x ⅞-20NF x 3⅞. | ea | 15 |
| M-5 | 3320-GPW6067 | | WO-A1548 FM-GPW6067 | | STUD, S, cd or zn-pltd, ⅞-14NC x ⅞- 20NF x 3⅞. | ea | 1 |
| H-6 | H006-0283805 | 219189 | | | PLUG, pipe, sq-hd, MI, black, ¼ in.----- | ea | 1 |
| H-6 | H006-0283800 | 219187 | | 01-5 | PLUG, pipe, sq-hd, MI, black, ⅜ in.----- | ea | 4 |
| H-6 | H006-0282480 | 541402 | | | PLUG, expansion, S, 1¼ in. diam.----- | ea | 5 |
| | | | | 0102—ENGINE CRANKSHAFT AND RELATED PARTS | | | |
| | | | WO-645282 | | BOLT, crankshaft counterweight (Special, ⅞- 20NF x 2⅞) (for CRANKSHAFT WO-641128 only). | ea | 4 |
| | | | WO-641128 | 01-7 | CRANKSHAFT, w/bolted on COUNTER- WEIGHTS, assy (chain drive). | ea | 1 |
| M-5 | G503-7699040 | 7699040 | WO-638121 FM-GPW6303A WO-624969 | 01-6 | CRANKSHAFT, w/integral COUNTER- WEIGHTS (chain drive). | ea | 1 |
| | | | | | CRANKSHAFT, w/dowel BOLTS, assy (Bolted on COUNTERWEIGHTS) (Includes CRANK- SHAFT assy WO-641128 and other parts same as in WO-A7568) (chain drive). | ea | 1 |

| (1) NOTE SYMBOL | (2) STOCK NO. | (3) ORDNANCE PART NO. | (4) MFR'S PART NO. | (5) FIGURE NO. | (6) NOMENCLATURE | (7) UNIT OF MEAS- "RE | (8) QUAN- TITY PER UNIT ASSEM- BLY |
|------------------------------------------------------|------------------|-----------------------------|-------------------------|-------------------|-------------------------------------------------------------------------------------------------------------------------------------------------------------------------------|-----------------------------------|------------------------------------------------------|
| GROUP 01—ENGINE—Continued | | | | | | | |
| 0102—ENGINE CRANKSHAFT AND RELATED PARTS—Con. | | | | | | | |
| M-5 | 3320-GPW18288 | ----- | WO-A7568 FM-GPW18288 | 01-4 | CRANKSHAFT, w/dowel BOLTS, assy (integral counterweights) (Includes one CRANKSHAFT WO-638121, two BOLTS WO-116295, two NUTS WO-52804 and two WASHERS WO-52330) (chain drive). | ea | 1 |
| | G503-7744473 | 7744474 | WO-647078 | ----- | CRANKSHAFT, w/dowel BOLTS, assy (gear drive). | ea | 1 |
| M-5 | 3320-GPW6353 | ----- | WO-334103 FM-GPW6353 | 01-6, 7 | GASKET, oil slinger (ru)----- | ea | 1 |
| M-5 | 3320-GPW6319 | ----- | WO-387633 FM-GPW6319 | 01-4, 6 | NUT, crankshaft, front, w/PIN, assy----- | ea | 1 |
| M-5 | 3320-GPW6700 | ----- | WO-637098 FM-GPW6700 | 01-4, 5 | PACKING, front end (in timing chain cover) (for engines w/chain camshaft drive). | ea | 1 |
| M-5 | 3320-GPW6702 | ----- | WO-637237 FM-GPW6702 | 01-4, 5 | PACKING, rear end (in crankcase)----- | ea | 2 |
| M-5 | 3320-GPW6701 | ----- | WO-637790 FM-GPW6701 | 01-5 | PACKING, rear bearing cap----- | ea | 2 |
| H-1 | H001-0829596 | 112011 | ----- | 01-4 | PIN, stght, sq-ends, cold-fin-S, 1/8 x 3/8----- | ea | 1 |
| M-5 | 3320-GPW6326 | ----- | WO-630294 FM-GPW6326 | 01-4, 5 | PIPE, drain, rear main bearing cap----- | ea | 1 |
| G-9 | 3320-GPW6312 | ----- | WO-638113 FM-GPW6312 | 01-4, 6 | PULLEY, crankshaft, fan and generator drive (Used w/6-volt generator) (Superseded by PULLEY WO-645623B). | ea | 1 |
| | G503-7744470 | 7744470 | WO-645623B | ----- | PULLEY, crankshaft, fan and generator drive (Used w/6-volt generator). | ea | 1 |
| | G503-7713390 | 7713390 | FM-GPWS6312 | ----- | PULLEY, crankshaft, fan and generator drive (Used w/12-volt generator). | ea | 1 |
| H-1 | H001-0518022 | 124549 | ----- | 01-6 | KEY, Woodruff, S, 3/16 x 3/4----- | ea | 1 |
| M-5 | 3320-GPW6287 | ----- | WO-375920 FM-GPW6287 | 01-5 | RETAINER, front packing----- | ea | 1 |
| M-5 | 3320-GPW6345 | ----- | WO-381519 FM-GPW6345 | 10-3, 5 | SCREW, main bearing cap (special, hex-hd, 1/2-13NC x 2 3/8). | ea | 6 |
| H-1 | H001-7025801 | 120384 | ----- | 01-5 | WASHER, lock, med, S, cd or zn-pltd, 1/2 in. | ea | 6 |
| | G503-7744469 | 7744469 | WO-643839 | ----- | SEAL, oil, front (for engines w/gear camshaft drive). | ea | 1 |

| | | | | | | | |
|-----|---------------|---------|---------------------------------------|------------|----------------------------------------------------------------------------------------|----|---|
| G-9 | 3320-GPW8240 | | WO-A1124 FM-GPW8240 | 01-1 | SHIELD, crankshaft pulley | ea | 1 |
| M-5 | 3320-GPW6342B | | WO-630262 FM-GPW6342B | 01-6, 7 | SHIM, adjusting, crankshaft, front (for engines w/gear camshaft drive). | ea | 1 |
| M-5 | 3320-GPW6310 | | WO-375877 FM-GPW6310 | 01-6, 7 | SLINGER, oil, crankshaft, front | ea | 1 |
| | G503-7336451 | 7336451 | WO-A1125 FM-356376S | | WASHER, pulley shield (S, 1½ ID x ⅝ OD) | ea | 6 |
| | G503-7743818 | 7743818 | WO-A6701 | | WASHER, pulley shield retaining bolt (S, ¼ ID x ⅝ OD x 0.005 thk). | ea | 6 |
| M-5 | 3320-GPW6308 | | WO-634796 FM-GPW6308 | 01-4, 6, 7 | WASHER, thrust, crankshaft | ea | 1 |
| | | | | | 0102.1—ENGINE MAIN BEARINGS | | |
| | | | WO-645161 | 01-4, 5 | BEARING, main, center, 2 halves, standard, assy. Composed of: 1 BEARING. | ea | 1 |
| M-5 | 3320-GPW6341A | | WO-638731 FM-GPW6341A | | 1 BEARING. | | |
| M-5 | 3320-GPW6339A | | WO-638730 FM-GPW6339A | | 1 BEARING. | | |
| M-5 | 3320-GPW6341A | | WO-638731 FM-GPW6341A | 01-6, 7 | BEARING, main, center, lower half, standard | ea | 1 |
| M-5 | 3320-GPW6339A | | WO-638730 FM-GPW6339A WO-645164 | 01-6, 7 | BEARING, main, center, upper half, standard | ea | 1 |
| | | | | | BEARING, main, center, 2 halves, 0.010 under-size, assy. Composed of: 1 BEARING. | ea | 1 |
| M-5 | 3320-GPW6341B | | WO-639238 FM-GPW6341B | | 1 BEARING. | | |
| M-5 | 3320-GPW6339B | | WO-639237 FM-GPW6339B | | 1 BEARING. | | |
| M-5 | 3320-GPW6341B | | WO-639238 FM-GPW6341B | | BEARING, main center, lower half, 0.010 under-size. | ea | 1 |
| M-5 | 3320-GPW6339B | | WO-639237 FM-GPW6339B WO-645167 | | BEARING, main center, upper half, 0.010 under-size. | ea | 1 |
| | | | | | BEARING, main, center, 2 halves, 0.020 under-size, assy. Composed of: 1 BEARING. | ea | 1 |
| M-5 | 3320-GPW6341C | | WO-116528 FM-GPW6341C | | 1 BEARING. | | |
| M-5 | 3320-GPW6339C | | WO-116526 FM-GPW6339C | | 1 BEARING. | | |
| M-5 | 3320-GPW6341C | | WO-116528 FM-GPW6341C | | BEARING, main, center, lower half, 0.020 under-size. | ea | 1 |

| (1) NOTE SYMBOL | (2) STOCK NO. | (3) ORDNANCE PART NO. | (4) MFR'S PART NO. | (5) FIGURE NO. | (6) NOMENCLATURE | (7) UNIT OF MEAS- URE | (8) QUAN- TITY PER UNIT ASSEM- BLY |
|----------------------------------------------|------------------|-----------------------------|---------------------------------------|-------------------|-------------------------------------------------------------------------------------------------------------|-----------------------------------|------------------------------------------------------|
| GROUP 01—ENGINE—Continued | | | | | | | |
| 0102.1—ENGINE MAIN BEARINGS—Continued | | | | | | | |
| M-5 | 3320-GPW6339C | ----- | WO-116526 FM-GPW6339C WO-645170 | ----- | BEARING, main, center, upper half, 0.020 under- size. | ea | 1 |
| M-5 | ----- | ----- | WO-116529 FM-GPW6341D | ----- | BEARING, main, center, 2 halves, 0.030 undersize, assy. Composed of: 1 BEARING. | ea | 1 |
| M-5 | 3320-GPW6339D | ----- | WO-116527 FM-GPW6339D | ----- | 1 BEARING. | | |
| M-5 | ----- | ----- | WO-116529 FM-GPW6341D | ----- | BEARING, main, center, lower half, 0.030 under- size. | ea | 1 |
| M-5 | 3320-GPW6339D | ----- | WO-116527 FM-GPW6339D WO-645160 | 01-4, 5 | BEARING, main, center, upper half, 0.030 under- size. BEARING, main, front, 2 halves, standard, assy. | ea | 1 |
| M-5 | 3320-GPW6338A | ----- | WO-637008 GM-GPW6338A | ----- | Composed of: 1 BEARING. | | |
| M-5 | 3320-GPW6333A | ----- | WO-637007 FM-GPW6333A | ----- | 1 BEARING. | | |
| M-5 | 3320-GPW6338A | ----- | WO-637008 FM-GPW6338A | 01-6, 7 | BEARING, main, front, lower half, standard | ea | 1 |
| M-5 | 3320-GPW6333A | ----- | WO-637007 FM-GPW6333A WO-645163 | 01-6, 7 | BEARING, main, front, upper half, standard | ea | 1 |
| M-5 | 3320-GPW6338B | ----- | WO-637725 FM-GPW6338B | ----- | BEARING, main, front, 2 halves, 0.010 undersize, assy. Composed of: 1 BEARING. | ea | 1 |
| M-5 | 3320-GPW6333B | ----- | WO-637724 FM-GPW6333B | ----- | 1 BEARING. | | |
| M-5 | 3320-GPW6338B | ----- | WO-637725 FM-GPW6338B | ----- | BEARING, main, front, lower half, 0.010, under- size. | ea | 1 |
| M-5 | 3320-GPW6333B | ----- | WO-637724 FM-GPW6333B | ----- | BEARING, main, front, upper half, 0.010 under- size. | ea | 1 |

| | | | | | | | |
|-----|---------------|--|---------------------------------------|---------|------------------------------------------------------------------------------|----|---|
| | | | WO-645166 | | BEARING, main, front, 2 halves, 0.020 undersize- assy. | ea | 1 |
| M-5 | 3320-GPW6338C | | WO-116524 FM-GPW6338C | | Composed of: 1 BEARING. | | |
| M-5 | 3320-GPW6333C | | WO-116522 FM-GPW6333C | | 1 BEARING. | | |
| M-5 | 3320-GPW6338C | | WO-116524 FM-GPW6338C | | BEARING, main, front, lower half, 0.020 under- size. | ea | 1 |
| M-5 | 3320-GPW6333C | | WO-116522 FM-GPW6333C WO-645169 | | BEARING, main, front, upper half, 0.020 under- size. | ea | 1 |
| | | | | | BEARING, main, front, 2 halves, 0.030 under- size, assy. | ea | 1 |
| M-5 | 3320-GPW6338D | | WO-116525 FM-GPW6338D | | Composed of: 1 BEARING. | | |
| M-5 | | | WO-116523 FM-GPW6333D | | 1 BEARING. | | |
| M-5 | 3320-GPW6338D | | WO-116525 FM-GPW6338D | | BEARING, main, front, lower half, 0.030 under- size. | ea | 1 |
| M-5 | | | WO-116523 FM-GPW6333D WO-645162 | 01-4, 5 | BEARING, main, front, upper half, 0.030 under- size. | ea | 1 |
| | | | | | BEARING, main, rear, 2 halves, standard, assy- Composed of: 1 BEARING. | ea | 1 |
| M-5 | 3320-GPW6337A | | WO-638733 FM-GPW6337A | | 1 BEARING. | | |
| M-5 | 3320-GPW6331A | | WO-638732 FM-GPW6331A | | 1 BEARING. | | |
| M-5 | 3320-GPW6337A | | WO-638733 FM-GPW6337A | 01-6, 7 | BEARING, main, rear, lower half, standard----- | ea | 1 |
| M-5 | 3320-GPW6331A | | WO-638732 FM-GPW6331A WO-645165 | 01-6, 7 | BEARING, main, rear, upper half, standard----- | ea | 1 |
| | | | | | BEARING, main, rear, 2 halves, 0.010 undersize, assy. | ea | 1 |
| M-5 | 3320-GPW6337B | | WO-639240 FM-GPW6337B | | Composed of: 1 BEARING. | | |
| M-5 | 3320-GPW6331B | | WO-639239 FM-GPW6331B | | 1 BEARING. | | |
| M-5 | 3320-GPW6337B | | WO-639240 FM-GPW6337B | | BEARING, main, rear, lower half, 0.010 under- size. | ea | 1 |
| M-5 | 3320-GPW6331B | | WO-639239 FM-GPW6331B | | BEARING, main, rear, upper half, 0.010 under- size. | ea | 1 |

| (1) NOTE SYMBOL | (2) STOCK NO. | (3) ORDNANCE PART NO. | (4) MFR'S PART NO. | (5) FIGURE NO. | (6) NOMENCLATURE | (7) UNIT OF MEAS- URE | (8) QUAN- TITY PER UNIT ASSEM- BLY |
|-----------------------|------------------|-----------------------------|-----------------------|-------------------|----------------------------------------------------------|-----------------------------------|------------------------------------------------------|
| | | | | | GROUP 01—ENGINE—Continued | | |
| | | | | | 0102.1—ENGINE MAIN BEARINGS—Continued | | |
| | | | WO-645168 | ----- | BEARING, main, rear, 2 halves, 0.020 undersize, assy. | ea | 1 |
| M-5 | 3320-GPW6337C | ----- | WO-116532 | ----- | Composed of: | | |
| | | | FM-GPW6337C | ----- | 1 BEARING. | | |
| M-5 | 3320-GPW6331C | ----- | WO-116530 | ----- | 1 BEARING. | | |
| | | | FM-GPW6331C | ----- | | | |
| M-5 | 3320-GPW6337C | ----- | WO-116532 | ----- | BEARING, main, rear, lower half, 0.020 undersize. | ea | 1 |
| | | | FM-GPW6337C | ----- | | | |
| M-5 | 3320-GPW6331C | ----- | WO-116530 | ----- | BEARING, main, rear, upper half, 0.020 undersize. | ea | 1 |
| | | | FM-GPW6331C | ----- | | | |
| | | | WO-645171 | ----- | BEARING, main, rear, 2 halves, 0.030 undersize, assy. | ea | 1 |
| | | | | ----- | Composed of: | | |
| M-5 | 3320-GPW6337D | ----- | WO-116533 | ----- | 1 BEARING. | | |
| | | | FM-GPW6337D | ----- | | | |
| M-5 | 3320-GPW6331D | ----- | WO-116531 | ----- | 1 BEARING. | | |
| | | | FM-GPW6331D | ----- | | | |
| M-5 | 3320-GPW6337D | ----- | WO-116533 | ----- | BEARING, main, rear, lower half, 0.030 undersize. | ea | 1 |
| | | | FM-GPW6337D | ----- | | | |
| M-5 | 3320-GPW6331D | ----- | WO-116531 | ----- | BEARING, main, rear, upper half, 0.030 undersize. | ea | 1 |
| | | | FM-GPW6331D | ----- | | | |
| M-5 | 3320-GPW18347 | ----- | WO-A6798 | ----- | BEARING SET, main, standard size. | ea | 1 |
| | | | FM-GPW18347 | ----- | | | |
| | | | WO-645160 | ----- | Composed of: | | |
| | | | WO-645161 | ----- | 1 BEARING, assy. | | |
| | | | WO-645162 | ----- | 1 BEARING, assy. | | |
| M-5 | 3320-GPW18348 | ----- | WO-A6746 | ----- | BEARING SET, main, 0.010 undersize. | ea | 1 |
| | | | FM-GPW18348 | ----- | Composed of: | | |
| | | | WO-645163 | ----- | 1 BEARING, assy. | | |
| | | | WO-645164 | ----- | 1 BEARING, assy. | | |
| | | | WO-645165 | ----- | 1 BEARING, assy. | | |

| | | | | | | | |
|-----|---------------|---------|-------------------------------------|------------|-----------------------------------------------------------------------------------------------------------------------------------------------|----|---|
| M-5 | 3320-GPW18349 | | WO-A6747 FM-GPW18349 | | BEARING SET, main, 0.020 undersize..... | ea | 1 |
| | | | WO-645166 WO-645167 WO-645168 | | Composed of: 1 BEARING, assy. 1 BEARING, assy. 1 BEARING, assy. | | |
| M-5 | 3320-GPW18350 | | WO-A6748 FM-GPW18350 | | BEARING SET, main, 0.030 undersize..... | ea | 1 |
| | | | WO-645169 WO-645170 WO-645171 | | Composed of: 1 BEARING, assy. 1 BEARING, assy. 1 BEARING, assy. | | |
| M-5 | 3320-GPW6369 | | WO-635377 FM-GPW6369 | 01-3, 6, 7 | PIN, dowel, main bearing..... | ea | 6 |
| | | | | | 0103-ENGINE FLYWHEEL AND RING GEAR | | |
| M-5 | 3320-GPW6375 | | WO-A1443 FM-GPW6375 | 01-7 | BEARING, pilot, clutch (See sub-group 0201) FLYWHEEL, w/ring GEAR, assy..... | ea | 1 |
| M-5 | G503-7324840 | 7324840 | WO-632157 FM-355497S | 01-6, 7 | BOLT, hex-hd, S, $\frac{3}{8}$ -24NF-2 x $1\frac{1}{2}$ | ea | 4 |
| M-5 | 3320-GPW6390 | | WO-116295 FM-GPW6390 | 01-6 | BOLT, special head, S, $\frac{1}{2}$ -20NF-2 x $1\frac{1}{8}$ | ea | 2 |
| H-1 | H001-4167601 | 120369 | | | NUT, hex, light, s-fin, S, cd or zn-pltd, $\frac{3}{8}$ - 24NF-2. | ea | 4 |
| H-1 | H101-0122299 | 122299 | | | NUT, jam, hex, light, s-fin, S, cd or zn-pltd, $\frac{1}{2}$ -20NF-3. | ea | 2 |
| H-1 | H001-7021801 | 138542 | | | WASHER, lock, int-teeth, reg, S, cd or zn- pltd, $\frac{3}{8}$ in. | ea | 4 |
| H-1 | H001-7021861 | 138549 | | | WASHER, lock, int-teeth, reg, S, cd or zn- pltd, $\frac{1}{2}$ in. | ea | 2 |
| G-9 | 3320-GPW18289 | | WO-A7503 FM-GPW18289 | 01-4 | FLYWHEEL, w/ring GEAR and dowel BOLTS, assy (Includes FLYWHEEL WO-A1443, 2 BOLTS WO-116295, 2 NUTS WO-52804 and 2 WASHERS WO-52330). | ea | 1 |
| M-5 | 3320-GPW6384 | | WO-635394 FM-GPW6384 | 01-4, 7 | GEAR, ring (S, 97T, 10.98 ID, 12.185 OD, $\frac{3}{8}$ face) .. | ea | 1 |
| G-9 | 3320-GPW6392 | | WO-A439 FM-GPW6392 | 01-1 | HOUSING, flywheel..... | ea | 1 |
| M-5 | 3320-355597S | | WO-630101 FM-355597S | | BOLT, hex-hd, S, $\frac{3}{8}$ -24NF x $2\frac{1}{2}$ (dowel) | ea | 2 |
| H-1 | H001-4167601 | 120369 | | | NUT, hex, light, s-fin, S, cd or zn-pltd, $\frac{3}{8}$ - 24NF-2. | ea | 8 |
| H-1 | H101-0216318 | 216318 | | | SCREW, cap, hex-hd, S, cd or zn-pltd, $\frac{3}{8}$ - 24NF-2 x $1\frac{1}{8}$. | ea | 4 |
| H-1 | H101-0429037 | 429037 | | | SCREW, cap, hex-hd, S, cd or zn-pltd, $\frac{3}{8}$ - 24NF-2 x $1\frac{1}{8}$. | ea | 2 |
| H-1 | H001-7025741 | 120382 | | | WASHER, lock, med, S, cd or zn-pltd, $\frac{3}{8}$ in. .. | ea | 8 |

| (1) NOTE SYMBOL | (2) STOCK NO. | (3) ORDNANCE PART NO. | (4) MFR'S PART NO. | (5) FIGURE NO. | (6) NOMENCLATURE | (7) UNIT OF MEAS- URE | (8) QUAN- TITY PER UNIT ASSEM- BLY |
|-----------------------------------------------------|------------------|-----------------------------|--------------------------|-------------------|------------------------------------------------------------------------------------|-----------------------------------|------------------------------------------------------|
| GROUP 01—ENGINE—Continued | | | | | | | |
| 0103 ENGINE FLYWHEEL AND RING GEAR—Continued | | | | | | | |
| M-5 | 3320-GPW6387 | ----- | WO-632156 FM-GPW6387 | 01-7 | PIN, dowel, tapered (Used in place of BOLTS WO-116295). | ea | 2 |
| M-5 | 3320-GPW7007 | ----- | WO-A5121 FM-GPW7007 | 01-4, 5 | PLATE, cylinder block to flywheel housing (for engines w/chain camshaft drive). | ea | 1 |
| | G503-7741425 | 7741425 | WO-642280B | ----- | PLATE, cylinder block to flywheel housing (for engines w/gear camshaft drive). | ea | 1 |
| H-6 | H006-0282440 | 501593 | ----- | ----- | PLUG, expansion, S, $\frac{3}{4}$ in. diam | ea | 1 |
| 0104 ENGINE PISTONS AND PISTON RINGS | | | | | | | |
| M-5 | 3320-GPW6135A | ----- | WO-636961 FM-GPW6135A | 01-4, 8 | PIN, piston, standard size | ea | 4 |
| M-5 | 3320-GPW6135D | ----- | WO-116003 FM-GPW6135D | ----- | 0.003 in. oversize | ea | 4 |
| H-1 | H001-7025741 | 120382 | ----- | 01-8 | BOLT, hex-hd, S, $\frac{3}{8}$ -24NF-2 x $1\frac{1}{32}$ | ea | 4 |
| M-5 | G503-7324840 | 7324840 | WO-632157 FM-355497S | 01-8 | WASHER, lock, med, S, cd or zn-pltd, $\frac{3}{8}$ in. | ea | 4 |
| G-9 | 3320-GPW6210A | ----- | WO-636954 FM-GPW6110A | 01-4, 8 | PISTON, standard | ea | 4 |
| G-9 | 3320-GPW6110C | ----- | WO-116021 FM-GPW6110C | ----- | 0.020 oversize | ea | 4 |
| G-9 | 3320-GPW6110D | ----- | WO-116022 FM-GPW6110D | ----- | 0.030 oversize | ea | 4 |
| M-5 | 3320-GPW6105A | ----- | WO-637041 FM-GPW6105A | 01-3 | PISTON, w/PIN, standard, assy | ea | 4 |
| M-5 | 3320-GPW6105C | ----- | WO-116019 FM-GPW6105C | ----- | 0.020 oversize | ea | 4 |
| G-9 | 3320-GPW6105D | ----- | WO-116020 FM-GPW6105D | ----- | 0.030 oversize | ea | 4 |
| M-5 | G503-7329276 | 7329276 | WO-116701 FM-GPW6105F | ----- | 0.040 oversize | ea | 4 |

| | | | | | | | |
|-----|---------------|---------|-------------|------|--------------------------------------------|----|---|
| | | | WO-116616 | 01-8 | RING, piston, bottom groove, standard..... | ea | 4 |
| | | | FM-GPW6156F | | | | |
| | | | WO-116116 | | 0.020 oversize..... | ea | 4 |
| | | | FM-GPW6156H | | | | |
| | | | WO-116117 | | 0.030 oversize..... | ea | 4 |
| | | | FM-GPW6156J | | | | |
| | | | WO-116705 | | 0.040 oversize..... | ea | 4 |
| | | | FM-GPW6156K | | | | |
| | | | WO-637042 | 01-8 | RING, piston, second groove, standard..... | ea | 4 |
| | | | FM-GPW6155A | | | | |
| | | | WO-116023 | | 0.020 oversize..... | ea | 4 |
| | | | FM-GPW6155G | | | | |
| | | | WO-116024 | | 0.030 oversize..... | ea | 4 |
| | | | FM-GPW6155H | | | | |
| | | | WO-116704 | | 0.040 oversize..... | ea | 4 |
| | | | FM-GPW6155J | | | | |
| | | | WO-639864 | 01-8 | RING, piston, top groove, standard..... | ea | 4 |
| | | | FM-GPW6150A | | | | |
| | | | WO-116502 | | 0.020 oversize..... | ea | 4 |
| | | | FM-GPW6150C | | | | |
| | | | WC-116503 | | 0.030 oversize..... | ea | 4 |
| | | | FM-GPW6150D | | | | |
| | | | WO-116703 | | 0.040 oversize..... | ea | 4 |
| | | | FM-GPW6150E | | | | |
| M-5 | 3320-GPW6149E | | WO-A6794 | | RING SET, piston, standard..... | ea | 1 |
| | | | FM-GPW6149E | | | | |
| | | | WO-116616 | | Composed of: | | |
| | | | FM-GPW6156F | | 4 RING. | | |
| | | | WO-637042 | | | | |
| | | | FM-GPW6155A | | 4 RING. | | |
| | | | WO-639864 | | | | |
| | | | FM-GPW6150A | | 4 RING. | | |
| M-5 | G503-7330714 | 7330714 | WO-A6796 | | RING SET, piston, 0.020 oversize..... | ea | 1 |
| | | | FM-GPW6149G | | | | |
| | | | WO-116116 | | Composed of: | | |
| | | | FM-GPW6156H | | 4 RING. | | |
| | | | WO-116023 | | | | |
| | | | FM-GPW6155G | | 4 RING. | | |
| | | | WO-116502 | | | | |
| | | | FM-GPW6150C | | 4 RING. | | |

| (1) NOTE SYMBOL | (2) STOCK NO. | (3) ORDNANCE PART NO. | (4) MFR'S PART NO. | (5) FIGURE NO. | (6) NOMENCLATURE | (7) UNIT OF MEAS- URE | (8) QUAN- TITY PER UNIT ASSEM- BLY |
|-------------------------------------------------------|------------------|-----------------------------|--------------------------|-------------------|----------------------------------------------------------------|-----------------------------------|------------------------------------------------------|
| GROUP 01—ENGINE—Continued | | | | | | | |
| 0104—ENGINE PISTONS AND PISTON RINGS—Continued | | | | | | | |
| G-9 | 3320-GPW6149H | ----- | WO-A6797 FM-GPW6149H | ----- | RING SET, piston, 0.030 oversize----- | ea | 1 |
| | | | WO-116117 FM-GPW6156J | ----- | Composed of: 4 RING. | | |
| | | | WO-116024 FM-GPW6155H | ----- | 4 RING. | | |
| | | | WO-116503 FM-GPW6150D | ----- | 4 RING. | | |
| M-5 | G503-7329277 | 7329277 | WO-A15283 FM-GPW6149J | ----- | RING SET, piston, 0.040 oversize----- | ea | 1 |
| | | | WO-116705 FM-GPW6156K | ----- | Composed of: 4 RING. | | |
| | | | WO-116704 FM-GPW6155J | ----- | 4 RING. | | |
| | | | WO-116703 FM-GPW6150E | ----- | 4 RING. | | |
| 0104.1—ENGINE CONNECTING RODS AND BEARINGS | | | | | | | |
| M-5 | 3320-GPW6211A | ----- | WO-639862 FM-GPW6211A | 01-8 | BEARING, connecting rod, half, standard----- | ea | 8 |
| M-5 | 3320-GPW18330A | ----- | WO-A7233 FM-GPW18330A | ----- | BEARING, connecting rod, 2 halves, standard, assy. | ea | 4 |
| M-5 | 3320-GPW6211B | ----- | WO-116534 FM-GPW6211B | ----- | BEARING, connecting rod, half, 0.010 undersize-- | ea | 8 |
| M-5 | 3320-GPW18330B | ----- | WO-A7234 FM-GPW18330B | ----- | BEARING, connecting rod, 2 halves, 0.010 un- dersize, assy. | ea | 4 |
| M-5 | 3320-GPW6211C | ----- | WO-116535 FM-GPW6211C | ----- | BEARING, connecting rod, half, 0.020 undersize-- | ea | 8 |
| M-5 | 3320-GPW18330C | ----- | WO-A7235 FM-GPW18330C | ----- | BEARING, connecting rod, 2 halves, 0.020 un- dersize, assy. | ea | 4 |
| M-5 | ----- | ----- | WO-116536 FM-GPW6211D | ----- | BEARING, connecting rod, half, 0.030 undersize-- | ea | 8 |
| | G503-7704100 | 7704100 | WO-A7236 FM-GPW18330D | ----- | BEARING, connecting rod, 2 halves, 0.030 un- dersize, assy. | ea | 4 |

| | | | | | | | |
|-----|--------------|---------|-------------------------|---------|----------------------------------------------------------------------------------------------------------|----|---|
| | G503-7324874 | 7324874 | WO-637020 | 01-4 | BOLT, connecting rod cap ($\frac{1}{16}$ -20NF x 2 $\frac{1}{2}$, head w/two flat sides). | ea | 8 |
| M-5 | 9680-640070 | ----- | WO-640070 | 01-8 | BOLT, connecting rod cap ($\frac{1}{16}$ -20NF x 2 $\frac{1}{2}$, off-set head). | ea | 8 |
| H-1 | H001-4171641 | 121949 | ----- | 01-8 | NUT, hex, light, s-fin, S, cd or zn-pltd, $\frac{1}{16}$ -20NF-3. | ea | 8 |
| H-1 | H001-4057621 | 107824 | ----- | 01-4, 8 | NUT, jam, stamped, hex, light, 9-notch, S, cd or zn-pltd, $\frac{1}{16}$ -20NF. | ea | 8 |
| | G503-7744471 | 7744471 | WO-641768 | ----- | BOLT, connecting rod cap (For RODS WO-641774 and WO-641775 only). | ea | 8 |
| | G503-7744472 | 7744472 | WO-641769 | ----- | NUT, hex, $\frac{1}{8}$ -24NF-3. | ea | 8 |
| H-1 | H001-7057591 | 107823 | ----- | ----- | NUT, jam, stamped, hex, light, 9-notch, S, cd or zn-pltd, $\frac{1}{8}$ -24NF. | ea | 8 |
| M-5 | 3320-GPW6200 | ----- | FM-GPW6200 | ----- | ROD, connecting, cylinders 1 and 3, w/o BEARING, assy (Superseded by ROD 7743751). | ea | 2 |
| | G503-7744952 | 7744952 | WO-639999 | ----- | ROD, connecting, cylinders 1 and 3, w/o BEARING, assy (Superseded by ROD 7743751). | ea | 2 |
| | G503-7744951 | 7744951 | WO-640071 | 01-8 | Rod, connecting, cylinders 1 and 3, w/o BEARING, assy (Superseded by ROD 7743751). | ea | 2 |
| | G503-7743751 | 7743751 | WO-641774 | ----- | ROD, connecting, cylinders 1 and 3, w/o BEARING, assy. | ea | 2 |
| M-5 | 3320-GPW6201 | ----- | FM-GPW6201 | ----- | ROD, connecting, cylinders 2 and 4, w/o BEARING, assy (Superseded by ROD 7743752). | ea | 2 |
| | G503-7744950 | 7744950 | WO-640000 | ----- | ROD, connecting, cylinders 2 and 4, w/o BEARING, assy (Superseded by ROD 7743752). | ea | 2 |
| | G503-7744949 | 7744949 | WO-640072 | 01-3, 4 | ROD, connecting, cylinders 2 and 4, w/o BEARING, assy (Superseded by ROD 7743752). | ea | 2 |
| | G503-7743752 | 7743752 | WO-641775 | ----- | ROD, connecting, cylinders 2 and 4, w/o BEARING, assy. | ea | 2 |
| | G503-7343079 | 7343079 | WO-639858 | ----- | ROD, connecting, cylinders 1 and 3, w/BEARING, assy. | ea | 2 |
| | G503-7712500 | 7712500 | WO-639859 | ----- | ROD, connecting, cylinders 2 and 4, w/BEARING, assy. | ea | 2 |
| | G503-7741416 | 7741416 | WO-641835B | ----- | ROD, connecting, cylinders 1 and 3, w/PISTON, assy. | ea | 2 |
| | G503-7741417 | 7741417 | WO-641839 | ----- | ROD, connecting, cylinders 2 and 4, w/PISTON, assy. | ea | 2 |
| | G503-7368266 | 7368266 | WO-639044 FM-GPW6519 | ----- | 0105.1-ENGINE VALVES, SPRINGS AND GUIDES COVER, valve springs (Superseded by COVER WO-630303). | ea | 1 |

| (1) NOTE SYMBOL | (2) STOCK NO. | (3) ORDNANCE PART NO. | (4) MFR'S PART NO. | (5) FIGURE NO. | (6) NOMENCLATURE | (7) UNIT OF MEAS- URE | (8) QUAN- TITY PER UNIT ASSEM- BLY |
|------------------------------------------------------------|------------------|-----------------------------|----------------------------------------|-------------------|--------------------------------------------------------------------------------|-----------------------------------|------------------------------------------------------|
| GROUP 01—ENGINE—Continued | | | | | | | |
| 0105.1—ENGINE VALVES, SPRINGS, AND GUIDES—Continued | | | | | | | |
| G-9 | 3320-GPW6520 | ----- | WO-630303 FM-GPW6520 | 01-3, 14 | COVER, valve springs----- | ea | 1 |
| | G503-7741421 | 7741421 | WO-645094D | ----- | BOLT, hex-hd, S, $\frac{5}{16}$ -18NC x $2\frac{1}{16}$ (late engines, front). | ea | 1 |
| M-5 | G503-7324839 | 7324839 | WO-639052 FM-355452S | 01-14 | BOLT, hex-hd, S, $\frac{5}{16}$ -18NC x $3\frac{1}{16}$ (early engines, rear). | ea | 1 |
| | G503-7741420 | 7741420 | WO-645093D | ----- | BOLT, hex-hd, S, $\frac{5}{16}$ -18NC x $3\frac{1}{16}$ (late engines, rear). | ea | 1 |
| M-5 | G503-7324838 | 7324838 | WO-632158 FM-355451S | 01-3, 14 | BOLT, hex-hd, S, $\frac{5}{16}$ -18NC x $4\frac{1}{8}$ (early engines, front). | ea | 1 |
| M-5 | G503-0194022 | ----- | WO-630305 FM-GPW6521 | 01-14 | GASKET, valve cover----- | ea | 1 |
| M-5 | G503-0194032 | ----- | WO-51875 FM-GPW6555A | 01-14 | GASKET, valve cover bolt----- | ea | 2 |
| M-5 | 3320-GPW6510B | ----- | WO-375811 FM-GPW6510 FM-GPW6510B | 01-3 | GUIDE, exhaust valve stem----- | ea | 4 |
| M-5 | 3320-GPW6511B | ----- | WO-637045 FM-GPW6511 FM-GPW6511B | 01-4 | GUIDE, intake valve stem----- | ea | 4 |
| M-5 | 3320-GPW6546 | ----- | WO-375994 FM-GPW6546 | 01-9, 10 | LOCK, valve spring retainer (half)----- | ea | 16 |
| M-5 | 3320-GPW6514 | ----- | WO-637044 FM-GPW6514 | 01-9, 10 | RETAINER, valve spring, lower----- | ea | 8 |
| M-5 | 3320-GPW6513 | ----- | WO-638636 FM-GPW6513 | 01-3, 4, 9, 10 | SPRING, valve----- | ea | 8 |
| M-5 | G503-7036580 | 7036580 | RMC-A366 WO-637183 FM-GPW6505 | 01-3, 4, 9, 10 | VALVE, exhaust----- | ea | 4 |
| M-5 | G503-7036579 | 7036579 | RMC-A365 WO-637182 FM-GPW6507 | 01-4 | VALVE, intake----- | ea | 4 |
| 0105.2—ENGINE VALVE TAPPETS | | | | | | | |
| | | | WO-375910 FM-355571S | ----- | NUT, valve tappet adjusting screw ($\frac{3}{8}$ -24NF)----- | ea | 8 |

| | | | | | | | |
|-----------------------------------------------------------|---------------|---------|----------------------------------------|-------------|-------------------------------------------------------------------------------|----|---|
| M-5 | 3320-GPW6549B | | WO-637048 FM-GPW6349 | | SCREW, adjusting, valve tappet (Superseded by SCREW WO-640020). | ea | 8 |
| M-5 | 3320-GPW6549B | | WO-640020 FM-GPW6549B | 01-4, 9, 10 | SCREW, adjusting, valve tappet (self locking).... | ea | 8 |
| M-5 | 3320-GPW6500A | | WIL-ST1265 WO-637047 FM-GPW6500A | 01-4, 9, 10 | TAPPET, valve, standard..... | ea | 8 |
| | G503-7743569 | 7743569 | WO-115948 FM-GPW6500B | | TAPPET, valve, 0.004 oversize..... | ea | 8 |
| G-9 | 3320-GPW6552B | | WO-640019 FM-GPW6552B | | TAPPET, valve, w/adjusting SCREW, assy..... | ea | 8 |
| 0105.3—ENGINE CAMSHAFT, BEARINGS, AND SPACERS | | | | | | | |
| G-9 | 3320-GPW6262A | | WO-639051 FM-GPW6262A | 01-4, 5, 9 | BEARING, bushing type, front (chain driven camshaft). | ea | 1 |
| | G503-7744319 | 7744319 | WO-645595 | 01-10 | BEARING, bushing type, front (gear driven camshaft). | ea | 1 |
| M-5 | G503-0131476 | | WO-637065 FM-GPW6250 | 01-4, 9 | CAMSHAFT, assy (chain driven)..... | ea | 1 |
| | G503-7741418 | 7741418 | WO-641284A | 01-10 | CAMSHAFT, assy (gear driven)..... | ea | 1 |
| | G503-7741408 | 7741408 | WO-641055D | 01-10 | PLATE, thrust (gear driven camshaft) (Superseded by PLATE WO-644963D). | ea | 1 |
| | G503-7744320 | 7744320 | WO-644963D | | PLATE, thrust (gear driven camshaft)..... | ea | 1 |
| H-1 | H001-5026721 | 214386 | | | SCREW, cap, hex-hd, S, cd or zn-pltd, 3/8-16NC-2 x 3/4. | ea | 2 |
| H-1 | H001-7025741 | 120382 | | | WASHER, lock, med, S, cd or zn-pltd, 3/8 in. | ea | 2 |
| H-6 | H006-0282510 | 541410 | | | PLUG, expansion, S, 1 1/4 in. diam (camshaft)..... | ea | 1 |
| M-5 | 3320-GPW6243 | | WO-375907 FM-GPW6243 | 01-4, 9 | PLUNGER, thrust (chain driven only)..... | ea | 1 |
| | G503-7741407 | 7741407 | WO-641049U | 01-10 | SPACER, thrust plate (gear driven only)..... | ea | 1 |
| M-5 | 3320-GPW6244 | | WO-375908 FM-GPW6244 | 01-9 | SPRING, thrust plunger (chain driven only)..... | ea | 1 |
| | G503-7744246 | 7744246 | WO-630364 FM-GPW6285 | | STUD, thrust plunger (in timing chain cover).... | ea | 1 |
| M-5 | 3320-GPW6245 | | WO-375900 FM-GPW6245 | 01-4, 9 | WASHER, thrust (chain driven only)..... | ea | 1 |
| 0105.4—ENGINE CAMSHAFT DRIVE AND TIMING GEAR COVER | | | | | | | |
| M-5 | G503-7036574 | 7036574 | LK-S-40936 WO-638457 FM-GPW6260 | 01-4, 9 | CHAIN, drive camshaft..... | ea | 1 |
| G-9 | 3320-GPW6016 | | FM-GPW6016 | | COVER, timing chain, assy (Superseded by COVER WO-A1190) (chain driven only). | ea | 1 |

| (1) NOTE SYMBOL | (2) STOCK NO. | (3) ORDNANCE PART NO. | (4) MFR'S PART NO. | (5) FIGURE NO. | (6) NOMENCLATURE | (7) UNIT OF MEAS- URE | (8) QUAN- TITY PER UNIT ASSEM- BLY |
|-------------------------------------------------------------------------|------------------|-----------------------------|----------------------------------------|-------------------|----------------------------------------------------------------------------------------|-----------------------------------|------------------------------------------------------|
| GROUP 01—ENGINE—Continued | | | | | | | |
| 0105.4—ENGINE CAMSHAFT DRIVE AND TIMING GEAR COVER—Continued | | | | | | | |
| A ^r -5 | 3320-GPW6054 | ----- | WO-A1190 FM-GPW6054 | 01-1, 4, 5 | COVER, timing chain, assy (chain driven only)--- | ea | 1 |
| H-1 | H001-4027541 | 225831 | ----- | ----- | NUT, hex, light, reg, s-fin, S, cd or zn-pltd, 3/8-24NF-2. | ea | 6 |
| H-1 | H001-1312481 | 113237 | ----- | ----- | STUD, S, cd or zn-pltd, 3/8-16NC x 3/8-24NF-2 x 1 1/16. | ea | 6 |
| H-1 | H001-7025741 | 120382 | ----- | ----- | WASHER, lock, med, S, cd or zn-pltd, 3/8 in. | ea | 6 |
| | G503-7741409 | 7741409 | WO-643842B | ----- | COVER, timing gear, assy (gear driven only)---- | ea | 1 |
| H-1 | H001-4027541 | 225831 | ----- | ----- | NUT, hex, light, reg, s-fin, S, cd or zn-pltd, 3/8-24NF-2. | ea | 10 |
| H-1 | H001-5421220 | 100025 | ----- | ----- | SCREW, cap, hex-hd, S, 3/8-24NF-3 x 3/4----- | ea | 3 |
| H-1 | H001-5421260 | 100026 | ----- | ----- | SCREW, cap, hex-hd, S, 3/8-24NF-3 x 1----- | ea | 1 |
| H-1 | H001-1312481 | 113237 | ----- | ----- | STUD, S, cd or zn-pltd, 3/8-16NC x 3/8-24NF-2 x 1 1/16. | ea | 6 |
| H-1 | H001-7025741 | 120382 | ----- | ----- | WASHER, lock, med, S, cd or zn-pltd, 3/8 in. | ea | 10 |
| G-9 | 3320-GPW7023 | ----- | WO-375217 FM-GPW7023 | ----- | COVER, timing hole (on flywheel housing)----- | ea | 1 |
| M-5 | 3320-GPW6020 | ----- | WO-630359 FM-GPW6020 | 01-5 | GASKET, front plate to cylinder block (for PLATE WO-A1463). | ea | 1 |
| | G503-7741427 | 7741427 | WO-641096B | ----- | GASKET, front plate to cylinder block (for PLATE WO641143A). | ea | 1 |
| M-5 | 3320-GPW6288 | ----- | WO-630365 FM-GPW6288 | 01-5 | GASKET, timing chain cover----- | ea | 1 |
| | G503-7741415 | 7741415 | WO-641282C | 01-7, 10 | GEAR, drive, camshaft (28T) (gear driven only)... | ea | 1 |
| | G503-7741419 | 7741419 | WO-641283B | 01-10 | GEAR, driven, camshaft (56T) (gear driven only)... | ea | 1 |
| H-1 | H001-0518022 | 124549 | ----- | 01-7, 10 | KEY, Woodruff, ni-S, 3/16 x 3/4----- | ea | 1 |
| H-1 | H001-5421941 | 122260 | ----- | 01-10 | SCREW, cap, hex-hd, S, cd or zn-pltd, 7/16- 14NC-3 x 1 1/8. | ea | 1 |
| H-1 | H001-7017711 | 136857 | ----- | 01-10 | WASHER, lock, ext-teeth, reg, S, cd or zn-pltd, 7/16 in. | ea | 1 |
| | G503-7741406 | 7741406 | WO-641048D | 01-10 | WASHER, plain, special----- | ea | 1 |
| M-5 | 3320-GPW6031 | ----- | WO-A1463 FM-GPW6031 FM-GPW6031A3 | 01-5 | PLATE, engine mounting, front, assy (under timing chain cover) (chain driven only). | ea | 1 |

| | | | | | | | |
|-----|---------------|---------|-------------|------------|----------------------------------------------------------------------------------------|----|---|
| | G503-7741426 | 7741426 | WO-641143A | | PLATE, engine mounting, front, assy (under timing gear cover) (gear driven only) | ea | 1 |
| H-1 | H001-4027541 | 225831 | | | NUT, hex, light, reg, s-fin, S, cd or zn-pltd, $\frac{3}{8}$ -24NF-2. | ea | 2 |
| H-1 | H001-1013030 | 193999 | | | SCREW, cap, hex-hd, S, $\frac{3}{8}$ -16NC-2 x $\frac{3}{4}$ | ea | 3 |
| H-1 | H001-1312481 | 113237 | | | STUD, S, cd or zn-pltd, $\frac{3}{8}$ -16NC x $\frac{3}{8}$ -24NF-2 x $1\frac{1}{2}$. | ea | 2 |
| H-1 | H001-7025741 | 120382 | | | WASHER, lock, med, S, cd or zn-pltd, $\frac{3}{8}$ in. | ea | 5 |
| | | | WO-375917 | | RING, retaining, timing chain cover packing | ea | 1 |
| | | | FM-GPW6286 | | | | |
| | G503-7741414 | 7741414 | WO-641281D | 01-7 | SPACER, camshaft gear (gear driven only) | ea | 1 |
| G-9 | 3320-GPW6342A | | WO-630727 | 01-6 | SPACER, crankshaft sprocket (chain driven only) | ea | 1 |
| | | | FM-GPW6342A | | | | |
| M-5 | G503-7036572 | 7036572 | LK-S35116-1 | 01-4, 6, 9 | SPROCKET, crankshaft, 18 teeth (drive, chain drive only). | ea | 1 |
| | | | WO-638459 | | | | |
| H-1 | H101-0124552 | 124552 | FM-GPW6306 | 01-6 | KEY, Woodruff, ni-S, $\frac{3}{16}$ x 1 | ea | 1 |
| M-5 | G503-7036571 | 7036571 | LK-S35117-1 | 01-4, 9 | SPROCKET, camshaft, 36 teeth (driven, chain drive only). | ea | 1 |
| | | | WO-638458 | | | | |
| | | | FM-GPW6256 | | | | |
| M-5 | 3320-355499S | | WO-634850 | 01-9 | BOLT, special (hex-hd, S, $\frac{3}{8}$ -24NF x $1\frac{1}{4}$) | ea | 4 |
| | | | FM-355499S | | | | |
| M-5 | 3320-GPW6269 | | WO-315932 | 01-9 | WASHER, lock, special ($\frac{3}{8}$ in.) | ea | 4 |
| | | | FM-GPW6269 | | | | |
| | | | | | 0106.1-ENGINE OIL PUMP | | |
| | G503-7744331 | 7744331 | WO-645629 | | BEARING, bushing type, body (for PUMP WO-645631). | ea | 1 |
| | | | WO-630384 | 01-11 | BODY (for PUMP WO-637636) | ea | 1 |
| | | | FM-GPW6604 | | | | |
| | | | WO-641478 | 01-12 | BODY (for PUMP WO-641046C) | ea | 1 |
| | | | WO-645630 | | BODY, w/BEARING, assy (for PUMP WO-645631). | ea | 1 |
| M-5 | 3320-GPW6664 | | WO-630387 | 01-11 | COVER, assy (for PUMP WO-637636) | ea | 1 |
| | | | FM-GPW6664 | | | | |
| H-1 | H101-0132193 | 132193 | | 01-11 | SCREW, mach, fil-hd, S, cd or zn-pltd, No. 12-24NC-2 x $\frac{3}{8}$. | ea | 2 |
| H-1 | H001-7025651 | 121744 | | 01-11 | WASHER, lock, med, S, cd or zn-pltd, No. 12 | ea | 2 |
| | G503-7744332 | 7744332 | WO-641479 | 01-12 | COVER (for PUMPS WO-641046C and WO-645631). | ea | 1 |
| H-1 | H001-5025511 | 216915 | | 01-12 | SCREW, cap, hex-hd, S, cd or zn-pltd, $\frac{1}{4}$ -20NC-2 x $\frac{3}{8}$. | ea | 3 |
| H-1 | H001-7025681 | 120380 | | 01-12 | WASHER, lock, med, S, cd or zn-pltd, $\frac{1}{4}$ in. | ea | 3 |
| M-5 | 3320-GPW6673 | | WO-636600 | 01-03, 11 | DISK, pump rotor (for PUMP WO-637636) | ea | 1 |
| | | | FM-GPW6673 | | | | |
| M-5 | 3320-GPW6619 | | WO-630392 | | GASKET, cover, 0.003 thk (for PUMP WO-637636). | ea | 1 |
| | | | FM-GPW6619 | | | | |

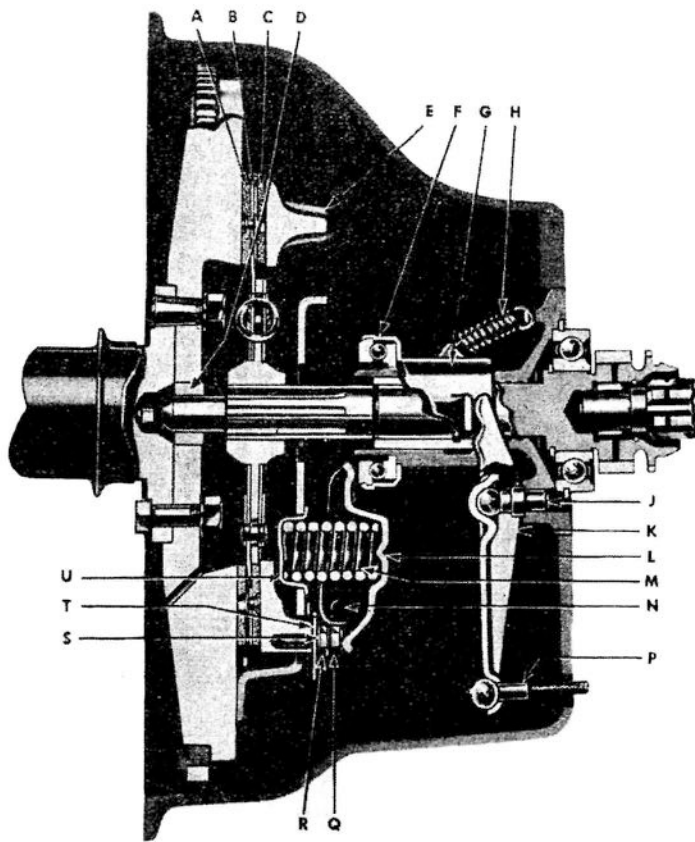
| (1) NOTE SYMBOL | (2) STOCK NO. | (3) ORDNANCE PART NO. | (4) MFR'S PART NO. | (5) FIGURE NO. | (6) NOMENCLATURE | (7) UNIT OF MEAS- URE | (8) QUAN- TITY PER UNIT ASSEM- BLY |
|-----------------------------------------|------------------|-----------------------------|-------------------------|-------------------|-----------------------------------------------------------------------------------------------------------------------------------------------------------|-----------------------------------|------------------------------------------------------|
| GROUP 01—ENGINE—Continued | | | | | | | |
| 0106.1—ENGINE OIL PUMP—Continued | | | | | | | |
| M-5 | 3320-GPW6659 | ----- | WO-639870 | 01-11 | GASKET, cover, 0.010 thk (for PUMP WO-637636). | ea | 1 |
| | G503-7744324 | 7744324 | FM-GPW6659 WO-641482 | 01-12 | GASKET, cover (for PUMPS WO-641046C and WO-645631). | ea | 1 |
| M-5 | G503-7744267 | 7744267 | WO-380197 | ----- | GASKET, cover to body screw (cop.) (for PUMP WO-637636). | ea | 1 |
| | | | FM-355262S | | | | |
| M-5 | 3320-GPW6625 | ----- | WO-375927 | 01-11 | GASKET, pump shaft (for PUMP WO-637636) | ea | 1 |
| | | | FM-GPW6625 | | | | |
| M-5 | 3320-GPW6630 | ----- | WO-630394 | 01-11, 12 | GASKET, pump to cylinder block | ea | 1 |
| | | | FM-GPW6630 | | | | |
| M-5 | 3320-GPW6642 | ----- | WO-634813 | 01-11, 12 | GASKET, relief spring retainer | ea | 1 |
| | | | FM-GPW6642 | | | | |
| | G503-7744333 | 7744333 | WO-641047 | 01-12 | GEAR, driven (for PUMPS WO-641046C and WO-645631). | ea | 1 |
| M-5 | 3320-GPW6610 | ----- | WO-637425 | 01-3, 11 | GEAR, driven (For PUMPS WO-637636 and WO-641293). | ea | 1 |
| | | | FM-GPW6610 | | | | |
| M-5 | 3320-GPW6684 | ----- | WO-330964 | 01-11, 12 | PIN, stght, S, $\frac{5}{32}$ x $\frac{3}{32}$ | ea | 1 |
| | | | FM-GPW6684 | | | | |
| M-5 | 3320-GPW6614 | ----- | WO-343306 | 01-3, 11 | PINION (for PUMP WO-637636) | ea | 1 |
| | | | FM-GPW6614 | | | | |
| H-6 | H006-0283192 | 118831 | ----- | 01-11 | PLUG, pipe, slotted, headless, br, $\frac{1}{8}$ in. (for PUMP WO-637636). | ea | 1 |
| M-5 | 3320-GPW6663 | ----- | WO-630518 | 01-3, 11, 12 | PLUNGER, relief | ea | 1 |
| | | | FM-GPW6653 | | | | |
| M-5 | 3320-GPW6600 | ----- | WO-637636 | 01-1, 3 | PUMP, oil, assy (Used w/chain driven camshaft) | ea | 1 |
| | | | FM-GPW6600 | | | | |
| H-1 | H001-4167561 | 120368 | ----- | ----- | NUT, hex, light, s-fin, S, cd or zn-pltd, $\frac{5}{16}$ -24NF-2. | ea | 3 |
| H-1 | H101-0103180 | 103180 | ----- | 01-5 | STUD, S, $\frac{5}{16}$ -18NC x $\frac{5}{16}$ -24NF-2 x $2\frac{3}{4}$ | ea | |
| H-1 | H001-7025711 | 120214 | ----- | ----- | WASHER, lock, med, S, cd or zn-pltd, $\frac{5}{16}$ in. | ea | |
| | | | WO-641293 | ----- | PUMP, oil, assy (Used w/chain driven camshaft) (Consists of the same parts as PUMP WO-641046 except driven GEAR WO-641047 is replaced by GEAR WO-637425). | ea | 1 |
| | G503-7741410 | 7741410 | WO-641046C | ----- | PUMP, oil, assy (Used w/gear driven camshaft) (Superseded by PUMP WO-645631). | ea | 1 |

| (1) NOTE SYMBOL | (2) STOCK NO. | (3) ORDNANCE PART NO. | (4) MFR'S PART NO. | (5) FIGURE NO. | (6) NOMENCLATURE | (7) UNIT OF MEAS- URE | (8) QUAN- TITY PER UNIT ASSEM- BLY |
|-------------------------------------------|------------------|-----------------------------|--------------------------------------|--------------------|----------------------------------------------------------------------------------------------------------------------|-----------------------------------|------------------------------------------------------|
| GROUP 01—ENGINE—Continued | | | | | | | |
| 0106.2—ENGINE OIL FILTER—Continued | | | | | | | |
| H-17 | H017-0540501 | 540501 | PU-27078 WO-A1230 FM-GPW18660A | 01-1, 2 05-1, 2 | FILTER, oil, assy----- | ea | 1 |
| H-1 | H001-5419821 | 120741 | ----- | ----- | SCREW, cap, hex-hd, S, cd or zn-pltd, 5/16- 24NF-3 x 3/4. | ea | 4 |
| H-1 | H001-7025711 | 120214 | ----- | ----- | WASHER, lock, med, S, cd or zn-pltd, 5/16 in. | ea | 4 |
| H-1 | H001-7043711 | 120393 | ----- | ----- | WASHER, plain, SAE std, S, cd or zn-pltd, 5/16 in. | ea | 4 |
| M-5 | G503-0194033 | 7039934 | FM-GPW18688 | ----- | GASKET, cover (Superseded by GASKET, PU- 25802). | ea | 1 |
| M-5 | G503-0194033 | 7039934 | PU-25802 WO-A1235 FM-GPW18688A | 01-13 | GASKET, cover----- | ea | 1 |
| M-5 | G503-7703975 | 7703975 | FM-GPW18675 | ----- | GASKET, cover bolt (Superseded by GASKET PU-25756). | ea | 1 |
| M-5 | G503-7703975 | 7703975 | PU-25756 WO-A1233 FM-GPW18675A | 01-13 | GASKET, cover bolt----- | ea | 1 |
| G-9 | G518-7000997 | 7000997 | WO-345961 FM-GPW13434A | ----- | GROMMET, ru, 1 1/2 (mounting bracket)----- | ea | 1 |
| G-9 | G162-1583745 | A331979 | PU-25795 WO-A1237 FM-358040S | 01-13 | PLUG, drain----- | ea | 1 |
| M-5 | G503-7702564 | 7702564 | FM-GPW18685 | ----- | SPRING, cover bolt (Superseded by SPRING PU- 25757). | ea | 1 |
| M-5 | G503-7702564 | 7702564 | PU-25757 WO-A1234 FM-GPW18685A | 01-13 | SPRING, oil filter cover bolt (tapered, 1 1/16 to 1 1/2). | ea | 1 |
| 0106.5—ENGINE CRANKCASE VENTILATOR | | | | | | | |
| M-5 | 3320-GPW6762 | ----- | WO-630298 FM-GPW6762 | 01-3, 14 | BAFFLE----- | ea | 1 |
| H-6 | H006-0260850 | 137422 | ----- | 01-14 | ELBOW, flared tube, inverted, 90 deg, br, 5/16 in. tube, 1/2 in. male pipe end (w/o nut) (ventilator to line). | ea | 1 |

| | | | | | | | |
|-----|------------------------------|---------|---------------------------------------|-------------|---------------------------------------------------------------------------------------------------------------------|----------|--------|
| H-6 | H006-0260811 | 143343 | | 01-14 | ELBOW, flared tube, inverted, 90 deg, br, 1/8 in. tube, 1/4 in. male pipe end (w/o nut) (ventilator line to valve). | ea | 1 |
| M-5 | 3320-GPW6648 | | WO-630299 FM-GPW6648 | 01-14 | GASKET, crankcase ventilator to valve spring cover. | ea | 1 |
| G-9 | 3320-GPW6756 | | WO-A6922 FM-GPW6756 | 01-1, 14 | HOSE, crankcase air intake (See sub-group 0304) --- LINE, ventilator valve, assy----- | ea ea | 1 1 |
| G-9 | 3320-GPW6769 | | WO-A6895 FM-GPW6769 | 01-14 | VALVE, assy----- | ea | 1 |
| | G503-7329586 | 7329586 | WO-A1061 FM-GPW6758 FM-GPW6758A | | VENTILATOR, crankcase, assy (early type)----- | ea | 1 |
| G-9 | 3320-GPW6758B | | WO-A6919 FM-GPW6758B | 01-14 | VENTILATOR, crankcase, assy (late type)----- | ea | 1 |
| | G503-7368267 | 7368267 | WO-A5105 FM-GPW6770 | | 0106.6-ENGINE OIL PAN, OIL LEVEL GAGE, AND LINES BRACKET, support, oil filler pipe----- | ea | 1 |
| H-6 | H006-0214315 | 137405 | WO-387891 FM-9N18679 | 01-13 | CONNECTOR, flared tube, inverted, br, 1/4 in. tube 1/2 in. male pipe and (w/o nut) (oil filter inlet line). | ea | 1 |
| H-6 | H006-0260807 | 137421 | WO-384569 FM-9N18686 | 01-13 | ELBOW, flared tube, inverted, 90 deg, br, 1/4 in. tube, 1/2 in. male pipe end (w/o nut) (oil filter outlet line). | ea | 2 |
| M-5 | G503-7036578 | 7036578 | TSE-215B WO-630396 FM-GPW6615 | 01-3, 4, 15 | FLOAT, oil strainer, assy (also known as STRAINER, oil, floating). | ea | 1 |
| H-1 | H001-0811055 G503-0132455 | 103388 | WO-A5168 FM-GPW6766B | 01-15 | PIN, cotter, split, S, 1/2 x 1 1/4----- | ea | 1 |
| G-9 | 3320-GPW6766C | | WO-A6525 FM-GPW6766C | 01-3 | GAGE, oil level, w/filler CAP, assy (to be used with PIPE WO-A5165). | ea | 1 |
| G-9 | 3320-GPW6789 | | WO-A7280 FM-GPW6789 | | GAGE, oil level, w/filler CAP, assy (to be used with PIPE WO-A6915). | ea | 1 |
| M-5 | 3320-GPW6710 | | WO-639980 FM-GPW6710 | 01-15 | GASKET, oil filler pipe cap----- | ea | 1 |
| M-5 | 3320-GPW6734 | | WO-640030 FM-B12410 | 01-15 | GASKET, oil pan----- | ea | 1 |
| M-5 | 3320-GPW6734 | | WO-314338 FM-GPW6734 | | GASKET, oil pan drain plug (optional with GASKET WO-314338). | ea | 1 |
| M-5 | 3320-GPW6627 | | WO-630398 FM-GPW6627 WO-641050 | 01-15 | GASKET, oil pan drain plug (optional with GASKET WO-640030). | ea | 1 |
| | | | | | GASKET, oil strainer float support----- | ea | 1 |
| | | | | | JET, oil, timing gear (for engines with gear driven camshaft). | ea | 1 |

| (1) NOTE SYMBOL | (2) STOCK NO. | (3) ORDNANCE PART NO. | (4) MFR'S PART NO. | (5) FIGURE NO. | (6) NOMENCLATURE | (7) UNIT OF MEAS- URE | (8) QUAN- TITY PER UNIT ASSEM- BLY |
|---------------------------------------------------------------|------------------|-----------------------------|--------------------------|-------------------|------------------------------------------------------------------------------------|-----------------------------------|------------------------------------------------------|
| GROUP 01—ENGINE—Continued | | | | | | | |
| 0106.6—ENGINE OIL PAN, OIL LEVEL GAGE, AND LINES— Con. | | | | | | | |
| M-5 | G503-0217815 | ----- | WO-A1197 FM-GPW18667 | 01-1, 13 | LINE, flexible, oil filter inlet, assy----- | ea | 1 |
| G-9 | G503-0217816 | ----- | WO-A1198 FM-GPW18666 | 01-2, 13 | LINE, flexible, oil filter outlet, and oil pressure gage, assy. | ea | 2 |
| G-9 | 3320-GPW9316 | ----- | WO-A1450 FM-GPW9316 | ----- | LINE, oil pressure gage, assy (¼ OD tube)----- | ea | 1 |
| G-9 | 3320-GPW6675 | ----- | WO-A1167 | ----- | PAN, oil, assy (Superseded by PAN WO-A7238) | ea | 1 |
| G-9 | 3320-GPW6675 | ----- | WO-A7328 FM-GPW6675 | 01-1, 3, 15 | PAN, oil, assy----- | ea | 1 |
| | G503-7326117 | 7326117 | FM-355403S2 | ----- | BOLT, w/lock WASHER, ⅝-18NC-3 x 1½ (Ford only). | ea | 20 |
| H-1 | H001-5419101 | 120228 | ----- | 01-3, 15 | SCREW, cap, hex-hd, S, cd or zn-pltd, ⅝- 18NC-3 x ⅝. | ea | 20 |
| H-1 | H001-7125711 | 120214 | ----- | 01-15 | WASHER, lock, med, S, cd or zn-pltd, ⅝ in. | ea | 20 |
| G-9 | 3320-GPW6763A | ----- | WO-639555 FM-GPW6763A | ----- | PIPE, oil filler, assy (straight type)----- | ea | 1 |
| | G503-0407837 | ----- | WO-A5165 FM-GPW6763B | ----- | PIPE, oil filler, assy (funnel type, w/o ventilator tube connection). | ea | 1 |
| G-9 | 3320-GPW6763C | ----- | WO-A6915 FM-GPW6763C | 01-3 | PIPE, oil filler, assy (funnel type w/ventilator tube connection). | ea | 1 |
| G-9 | G503-0340661 | ----- | WO-639979 FM-GPW6727 | 01-3, 15 | PLUG, drain, ⅝ in.----- | ea | 1 |
| M-5 | 3320-GPW6617 | ----- | WO-630397 FM-GPW6617 | 01-3, 4, 15 | STRAINER, oil, floating (See FLOAT 7036578) -- SUPPORT, oil strainer float----- | ea ea | 1 |
| H-1 | H001-5419141 | 122007 | ----- | 01-15 | SCREW, cap, hex-hd, S, cd or zn-pltd, ⅝- 18NC-3 x ⅝. | ea | 2 |
| H-1 | H001-7025711 | 120214 | ----- | 01-15 | WASHER, lock, med, S, cd or zn-pltd, ⅝ in. | ea | 2 |
| G-9 | 3320-GPW9323 | ----- | WO-A1456 FM-GPW9323 | ----- | UNION, inverted flared tube, br, ¼ in. (oil pres- sure gage line). | ea | 1 |
| 0108—ENGINE MANIFOLDS AND HEAT CONTROL | | | | | | | |
| M-5 | 3320-GPW9462 | ----- | WO-636438 FM-GPW9462 | ----- | BEARING, heat control valve shaft----- | ea | 2 |

| | | | | | | | |
|-----|---------------|---------|-------------------------|----------|---------------------------------------------------------------------------------|----|---|
| M-5 | G503-0194021 | | WO-638640 FM-GPW9448 | 01-3 | GASKET, intake and exhaust manifold..... | ea | 1 |
| M-5 | 3320-GPW9435 | | WO-634811 FM-GPW9435 | 01-16 | GASKET, intake to exhaust manifold..... | ea | 1 |
| G-9 | 3320-GPW9465 | | WO-637211 FM-GPW9465 | 01-16 | KEY, heat control valve lever..... | ea | 1 |
| M-5 | 3320-GPW9458 | | WO-637210 FM-GPW9458 | 01-16 | LEVER, counterweight, heat control valve spring.. | ea | 1 |
| H-1 | H001-4135661 | 120361 | WO-A1701 | 01-16 | NUT, mach screw, hex, S, cd or zn-pltd, No. 10-24NC-2. | ea | 1 |
| H-1 | H001-1030102 | 110502 | WO-5272 | 01-16 | SCREW, mach, rd-hd, S, No. 10-24NC-2 x ¾. | ea | 1 |
| G-9 | 3320-GPW9428 | | FM-GPW9428 | 01-4 | MANIFOLD, exhaust, w/heat control valve, assy (Superseded by MANIFOLD WO-A912). | ea | 1 |
| M-5 | 3320-GPW9426 | | WO-A912 FM-GPW9426 | 01-1, 16 | MANIFOLD, exhaust, w/heat control valve, assy.. | ea | 1 |
| G-9 | 3320-GPW9424 | | FM-GPW9424 | | MANIFOLD, intake, assy (Superseded by MANIFOLD WO-A1166). | ea | 1 |
| G-9 | 3320-GPW9424B | | WO-A1166 FM-GPW9424B | 01-1, 16 | MANIFOLD, intake, assy..... | ea | 1 |
| H-1 | H101-0215366 | 215366 | | 01-16 | SCREW, cap, hex-hd, S, cd or zn-pltd, ½-18NC-2 x 1. | ea | 4 |
| H-1 | H001-7021771 | 138538 | | 01-16 | WASHER, lock, int-teeth, reg, S, cd or zn-pltd, ½ in. | ea | 4 |
| | | | WO-A1165 FM-GPW9410B | 01-3 | MANIFOLD, intake and exhaust, assy..... | ea | 1 |
| H-1 | H001-4167601 | 120369 | | | NUT, hex, light, s-fin, S, cd or zn-pltd, ¾-24NF-2. | ea | 7 |
| M-5 | G503-7701013 | 7701013 | WO-300143 FM-88042S | | STUD, S, ¾-16NC-3 x ¾-24NF-2 x 1½..... | ea | 3 |
| H-1 | H001-1312540 | 114987 | | | STUD, S, ¾-16NC x ¾-24NF-2 x 1¼..... | ea | 2 |
| H-1 | H101-0112209 | 112209 | | | STUD, S, ¾-16NC x ¾-24NF-2 x 1½..... | ea | 2 |
| M-5 | 3320-GPW9443 | | WO-344732 FM-GPW9443 | | WASHER, manifold clamp. (S, ½ ID x 1½ OD x ½ to ¾ thk at ID). | ea | 2 |
| H-6 | H106-0117244 | 117244 | | 01-16 | PLUG, pipe, sq-hd, S, cd or zn-pltd, ¼ in..... | ea | 2 |
| M-5 | 3320-GPW9456 | | WO-637206 FM-GPW9456 | 01-16 | SHAFT, heat control valve..... | ea | 1 |
| M-5 | 3320-GPW9467 | | FM-GPW9467 | | SPRING, heat control valve (Superseded by SPRING WO-637208). | ea | 1 |
| M-5 | 3320-GPW9467A | | WO-637208 FM-PW9467A | 01-16 | SPRING, heat control valve..... | ea | 1 |
| M-5 | 3320-GPW9463 | | WO-639743 FM-GPW9463 | 01-16 | STOP, heat control valve spring..... | ea | 1 |
| M-5 | 3320-GPW9460 | | WO-636439 FM-GPW9460 | 01-3 | VALVE, heat control..... | ea | 1 |
| M-5 | 3320-GPW9484 | | WO-637209 FM-GPW9484 | 01-16 | WASHER, heat control valve spring (S, 0.310 ID x 1½ OD x ½ thk). | ea | 1 |



| KEY ITEM | PART NO. | GROUP |
|-----------|-----------|-------|
| A—FACING | WO-371567 | 0201 |
| B—DISK | WO-636755 | 0201 |
| C—FACING | WO-636778 | 0201 |
| D—BEARING | WO-639578 | 0201 |
| E—PLATE | WO-638152 | 0201 |
| F—BEARING | 710203 | 0202 |
| G—CARRIER | WO-639654 | 0202 |
| H—SPRING | WO-630117 | 0202 |
| J—FULCRUM | WO-630068 | 0202 |
| K—LEVER | WO-630112 | 0202 |
| L—LEVER | WO-638158 | 0201 |
| M—SPRING | WO-638993 | 0201 |
| N—PIN | WO-638159 | 0201 |
| P—CABLE | WO-A5102 | 0202 |
| Q—SCREW | WO-638154 | 0201 |
| R—NUT | WO-638155 | 0201 |
| S—WASHER | 118773 | 0201 |
| T—SPRING | WO-638153 | 0201 |
| U—CUP | WO-638157 | 0201 |

RA PD 342254G

Figure 02-1. Clutch—cross section.

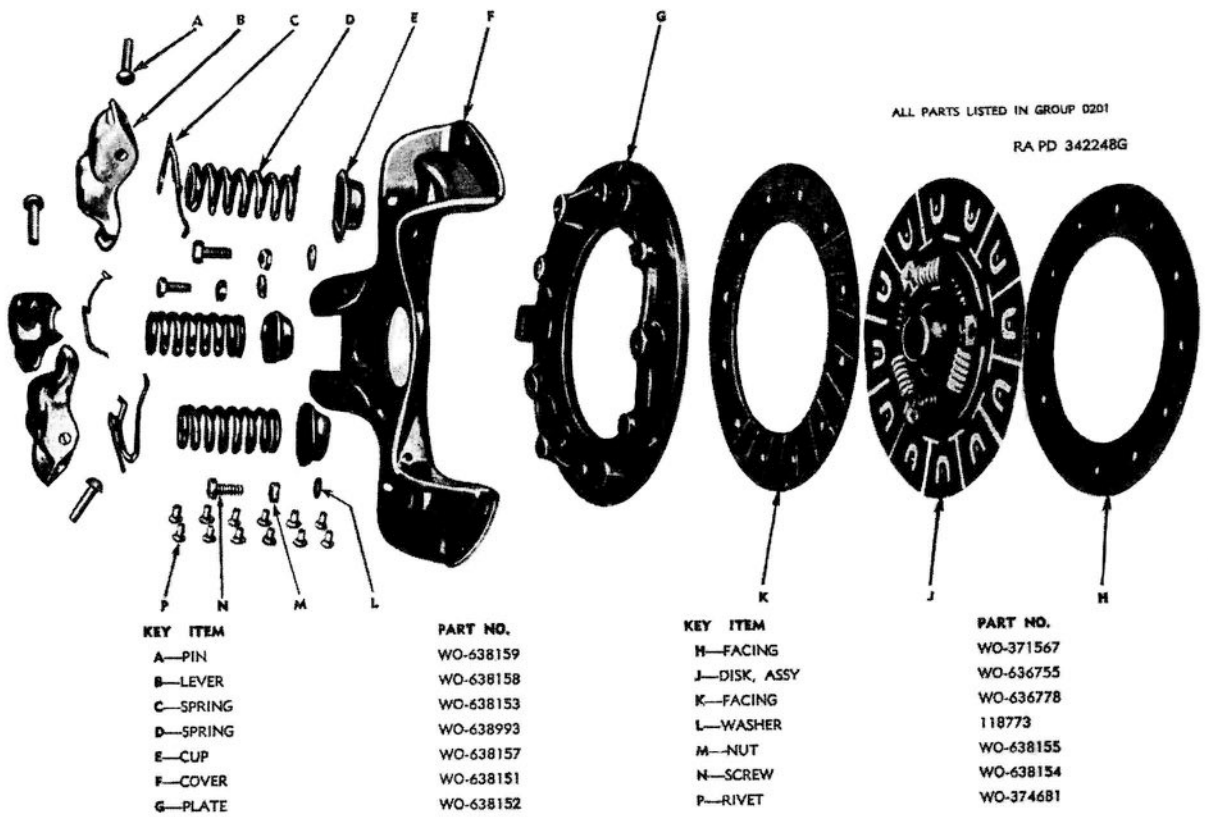
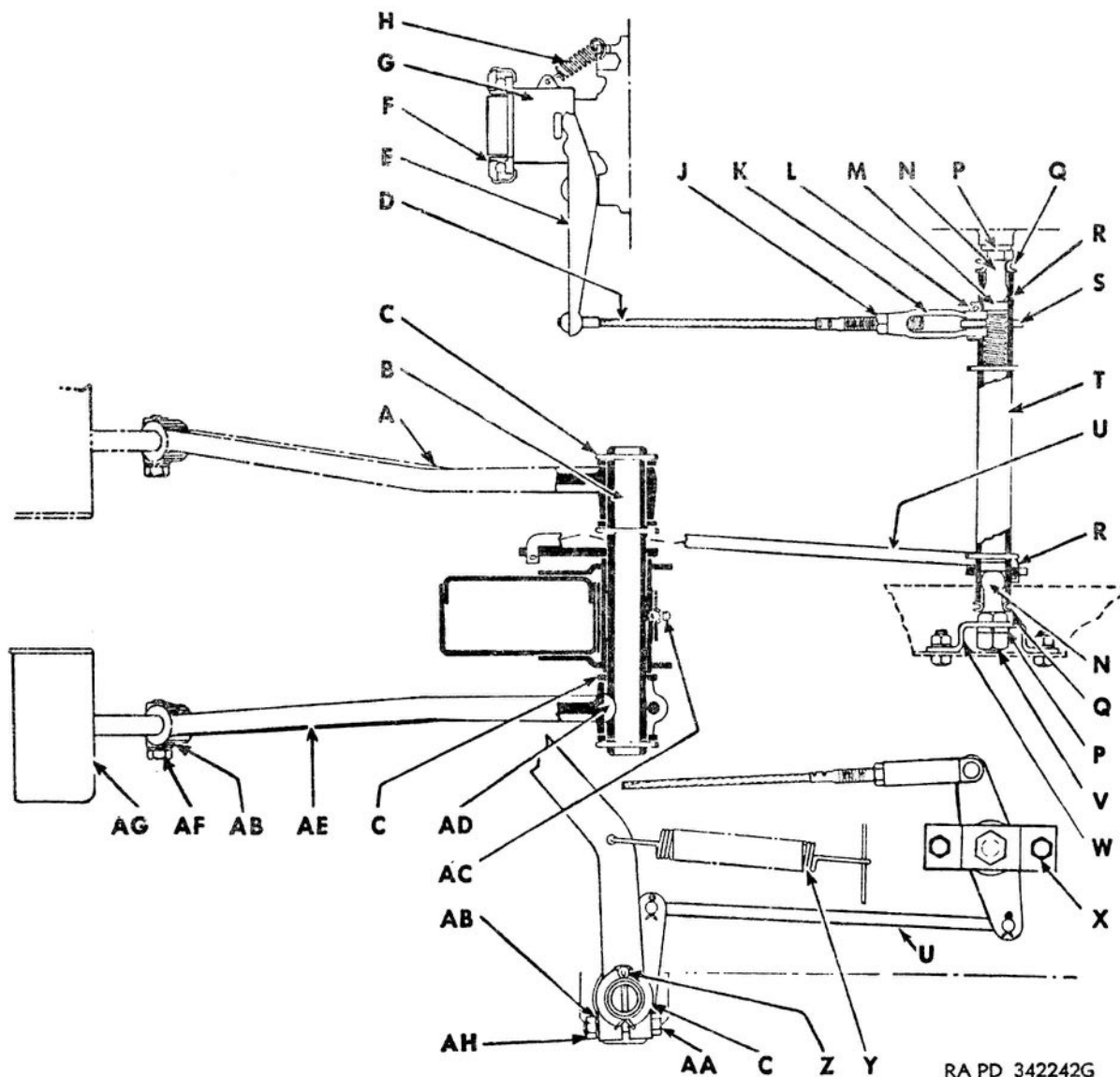


Figure 02-2. Clutch—exploded view.



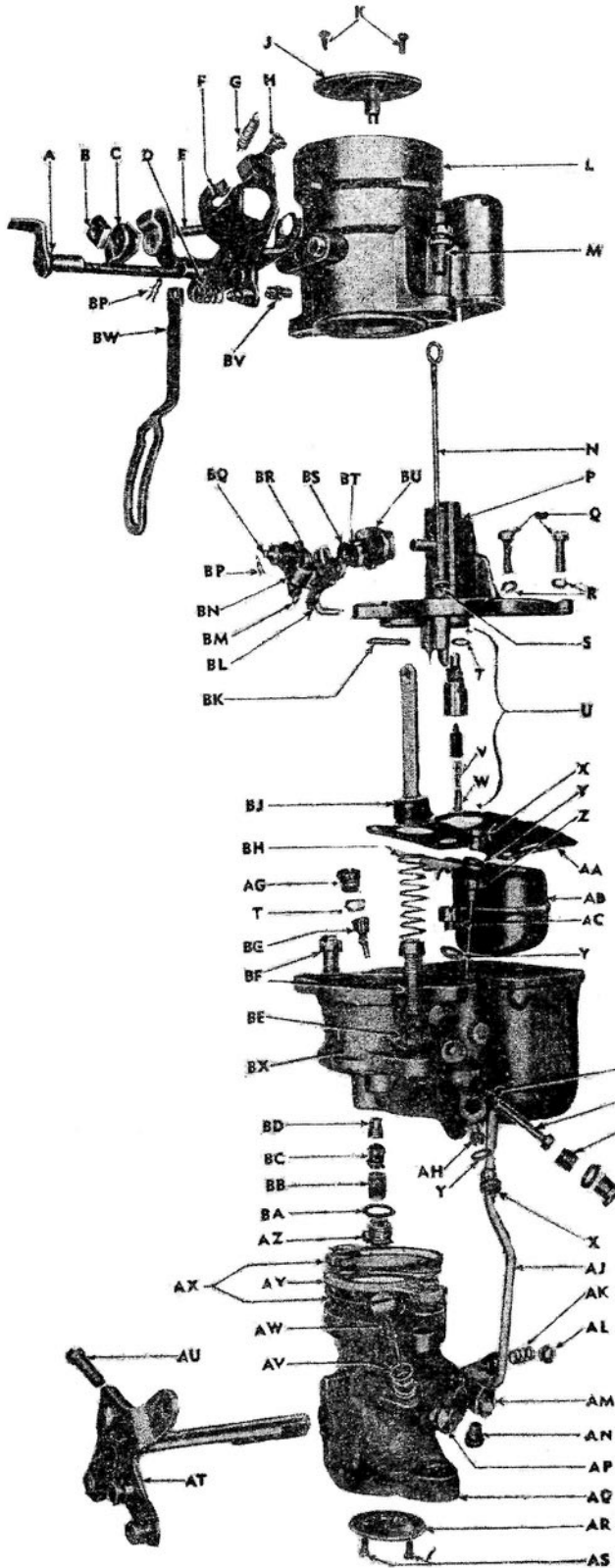
| KEY ITEM | PART NO. | GROUP | KEY ITEM | PART NO. | GROUP |
|------------|-----------|--------|---------------|-----------|-------|
| A—PEDAL | WO-A8253 | 1204.1 | S—SPRING | WO-A178 | 0202 |
| B—SHAFT | WO-A495 | 1204.1 | T—LEVER, ASSY | WO-A1355 | 0202 |
| C—WASHER | WO-A498 | 0202 | U—ROD | WO-A499 | 0202 |
| D—CABLE | WO-A5102 | 0202 | V—NUT | 118616 | 0202 |
| E—LEVER | WO-630112 | 0202 | W—BRACKET | WO-A180 | 0202 |
| F—BEARING | 710203 | 0202 | X—SCREW | 214656 | 0202 |
| G—CARRIER | WO-639654 | 0202 | Y—SPRING | WO-630593 | 0202 |
| H—SPRING | WO-630117 | 0202 | Z—PIN | 108643 | 0202 |
| J—NUT | 120368 | 0202 | AA—SCREW | 215417 | 0202 |
| K—YOKE | WO-632177 | 0202 | AB—WASHER | 116120 | 0202 |
| L—PIN | 7326118 | 0202 | AC—FITTING | 45-F-451 | 0202 |
| M—RETAINER | WO-A177 | 0202 | AD—KEY | 124549 | 0202 |
| N—STUD | WO-A181 | 0202 | AE—PEDAL | WO-A405 | 0202 |
| P—WASHER | 115314 | 0202 | AF—SCREW | 215368 | 0202 |
| Q—SEAL | WO-A887 | 0202 | AG—PAD | WO-A1360 | 0202 |
| R—PAD | WO-A176 | 0202 | AH—NUT | 115729 | 0202 |

Figure 02-8. Clutch—control linkage.

| (1) NOTE SYMBOL | (2) STOCK NO. | (3) ORDNANCE PART NO. | (4) MFR'S PART NO. | (5) FIGURE NO. | (6) NOMENCLATURE | (7) UNIT OF MEAS- URE | (8) QUAN- TITY PER UNIT ASSEM- BLY |
|-----------------------|------------------|-----------------------------|--------------------------------------------------------------------------------------------|-------------------------------------|-------------------------------------------------------------------------------------------------------------------------------------------|-----------------------------------|------------------------------------------------------|
| | | | | | GROUP 02—CLUTCH | | |
| | | | | | 0201—CLUTCH AND PILOT BEARING | | |
| G-9 | 3320-GPW7600 | ----- | WO-639578 FM-GPW7600 | 01-7 | BEARING, pilot, bushing type (transmission in- | ea | 1 |
| | | | WO-638151 FM-GPW7570 | 02-1 02-2 | put gear) (in flywheel). COVER, pressure plate----- | ea | 1 |
| | | | WO-638157 FM-GPW7567 | 02-1, 2 | CUP, pressure plate spring----- | ea | 3 |
| G-9 | G503-7089574 | 7089574 | B&B-11123 WO-636755 FM-GPW7550 | 02-1, 2 | DISK, driven, w/FACINGS, and HUB, assy (chain driven camshaft engine). | ea | 1 |
| | G503-7741423 | 7741423 | WO-642918 | ----- | DISK, driven, w/FACINGS, and HUB, assy (gear driven camshaft engine). | ea | 1 |
| G-9 | 5960-C5510 | ----- | B&B-2940 WO-371567 FM-GPW7549 WO-640361 | 02-1, 2 | FACING, driven disk, front (for DISK WO- 642918). | ea | 1 |
| | | | | ----- | FACING, driven disk, front (for DISK WO- 642918). | ea | 1 |
| G-9 | 5960-C5509 | ----- | B&B-4324 WO-636778 FM-GPW7577 WO-640360 | 02-1, 2 | FACING, driven disk, rear (for DISK WO- 636755). | ea | 1 |
| | | | | ----- | FACING, driven disk, rear (for DISK WO- 642918). | ea | 1 |
| G-9 | G085-1101840 | ----- | WO-374681 FM-351926S WO-641695 WO-638158 FM-GPW7591 WO-638159 FM-GPW7565 | 02-2 ----- 02-1, 2 02-1, 2 | RIVET, tubular, S, fl-ck-hd (for DISK WO- 636755). RIVET, tubular, S (for DISK WO-642918)--- LEVER, pressure spring release----- | ea ea ea | 12 16 3 |
| G-9 | 0523-TP285-1 | ----- | AVM-TP285-1 WO-638152 FM-GPW7566 | 02-1, 2 | PIN, pivot----- | ea | 3 |
| G-9 | 3320-GPW7563 | ----- | AVM-TP28-7-1 WO-638992 FM-GPW7563 | 02-1, 2 | PLATE, pressure----- | ea | 1 |
| | | | | ----- | PLATE, pressure, w/COVER, SPRINGS, and LEVERS, assy (chain driven camshaft engine). | ea | 1 |

| (1) NOTE SYMBOL | (2) STOCK NO. | (3) ORDNANCE PART NO. | (4) MFR'S PART NO. | (5) FIGURE NO. | (6) NOMENCLATURE | (7) UNIT OF MEAS- URE | (8) QUAN- TITY PER UNIT ASSEM- BLY |
|-----------------------|------------------|-----------------------------|---------------------------------------|-------------------|----------------------------------------------------------------------------------------|-----------------------------------|------------------------------------------------------|
| | | | | | GROUP 02—CLUTCH—Continued | | |
| | | | | | 0201—CLUTCH AND PILOT BEARING—Continued | | |
| | G503-7741424 | 7741424 | WO-642622 | ----- | PLATE, pressure, w/COVER, SPRINGS, and LEVERS, assy (gear driven camshaft engine). | ea | 1 |
| | G503-7324841 | 7324841 | WO-630129 FM-355476S | ----- | SCREW, cap, special, hex-hd, 5/16-18NC-2 x 1 1/4. | ea | 6 |
| H-1 | H001-7025711 | 120214 | ----- | ----- | WASHER, lock, med, S, cd or zn-pltd, 5/16 in. | ea | 6 |
| | | | AVM-TP2818 WO-638154 FM-24325S | 02-1, 2 | SCREW, hex-hd, alloy-S, 1/4-28NF-2 x 5/8 (for adjusting pressure spring LEVER). | ea | 3 |
| | | | WO-638155 FM-33921S7 | 02-1, 2 | NUT, jam, hex, S, cd-pltd, 1/4-28NF-2----- | ea | 3 |
| H-1 | H001-7043685 | 118773 | ----- | 02-1, 2 | WASHER, plain, SAE std, S, phos-ctd, 1/4 in. | ea | 3 |
| | | | WO-638993 FM-GPW7572 | 02-1, 2 | SPRING, pressure----- | ea | 3 |
| G-9 | 0523-TD2817 | ----- | WO-638153 FM-GPW7590 | 02-1, 2 | SPRING, return, pressure plate----- | ea | 3 |
| | | | | | 0202—CLUTCH CONTROL | | |
| H-12 | H012-0710203 | 710203 | AB-A935-1 WO-635529 FM-74-7580B | 02-1, 3 | BEARING, ball, No. AB-A935-1 (SR, clutch release, 1.500 bore, 2.8125 OD, 0.672 width). | ea | 1 |
| G-9 | G503-7368260 | 7368260 | WO-A180 FM-GPW7509 | 02-3 | BRACKET, control tube stud (on frame)----- | ea | 1 |
| H-1 | H001-4167561 | 120368 | ----- | ----- | NUT, hex, light, s-fin, S, cd-pltd, 5/16-24NF-2. | ea | 2 |
| H-1 | H101-0214656 | 214656 | ----- | 02-3 | SCREW, cap, hex-hd, S, cd or zn-pltd, 5/16-24NF-2 x 5/8. | ea | 2 |
| H-1 | H001-7025711 | 120214 | ----- | ----- | WASHER, lock, med, S, cd or zn-pltd, 5/16 in. | ea | 2 |
| G-9 | 3320-GPW7530 | ----- | WO-A5102 FM-GPW7530 | 02-1, 3 | CABLE, control, assy----- | ea | 1 |
| G-9 | 3320-GPW7561 | ----- | WO-639654 FM-GPW7561 | 02-1, 3 | CARRIER, release bearing----- | ea | 1 |
| K-3 | 45-F-451 | 45-F-451 | ----- | 02-3 | FITTING, lubricating, hydraulic type, stght, 1/4-28NS, male (pedal shaft). | ea | 1 |
| G-9 | 3320-GPW7516 | ----- | WO-630068 FM-GPW7516 | 02-1 | FULCRUM, release lever----- | ea | 1 |
| G-9 | 3320-GPW7503 | ----- | WO-A1355 FM-GPW7503 | 02-3 | LEVER, control, w/TUBE, assy----- | ea | 1 |
| G-9 | 3320-GPW7515 | ----- | WO-630112 FM-GPW7515 | 02-1, 3 | LEVER, release----- | ea | 1 |

| | | | | | | | |
|-----|--------------|---------|-------------|---------|-----------------------------------------------------|----|---|
| G-9 | 3320-GPW7539 | ----- | WO-A176 | 02-3 | PAD, control tube (felt, 5/8 OD, x 1/4 thk)----- | ea | 1 |
| | G505-7368262 | 7368262 | FM-GPW7539 | | | | |
| | | | WO-A1360 | 02-3 | PAD, pedal, assy (Superseded by PAD WO-A8440, | ea | 1 |
| | | | FM-GPW7525 | | FM-GPW7525A). | | |
| | | | WO-A8440 | | PAD, pedal, assy----- | ea | 1 |
| | | | FM-GPW7525A | | | | |
| H-1 | H101-0215368 | 215368 | ----- | 02-3 | SCREW, cap, hex-hd, S, 85,000 psi yield | ea | 1 |
| | | | | | strength, 5/16-18NC-2 x 1 1/4. | | |
| H-1 | H101-0116120 | 116120 | ----- | 02-3 | WASHER, lock, med, S, phos-ctd, 5/16 in---- | ea | 1 |
| G-9 | 3320-GPW7520 | | WO-A405 | 02-3 | PEDAL, assy----- | ea | 1 |
| | | | WO-A10269 | 18-2 | | | |
| | | | FM-GPW7520 | | | | |
| | | | FM-GPW7520A | | | | |
| H-1 | H001-0518022 | 124549 | ----- | 02-3 | KEY, Woodruff, ni-S, 5/16 x 3/4 (No. 606 or 9)--- | ea | 1 |
| H-1 | H101-0115729 | 115729 | ----- | 02-3 | NUT, hex, light, s-fin, S, phos-ctd, 5/16-24NF-2- | ea | 1 |
| H-1 | H101-0215417 | 215417 | ----- | 02-3 | SCREW, cap, hex-hd, S, cd or zn-pltd, 5/16- | ea | 1 |
| | | | | | 24NF-2 x 1 1/4. | | |
| H-1 | H101-0116120 | 116120 | ----- | | WASHER, lock, med, S, phos-ctd, 5/16 in---- | ea | 1 |
| G-9 | 3320-GPW7517 | | WO-A177 | 02-3 | RETAINER, control tube spring----- | ea | 2 |
| | | | FM-GPW7517 | | | | |
| G-9 | 3320-GPW7521 | | WO-A499 | 02-3 | ROD, clutch release pedal----- | ea | 1 |
| | | | FM-GPW7521 | | | | |
| H-1 | H001-0811037 | 103372 | ----- | | PIN, cotter, split, S, 3/32 x 1/2----- | ea | 2 |
| G-9 | 3320-GPW7512 | | WO-A887 | 02-3 | SEAL, dust, control tube----- | ea | 2 |
| | | | FM-GPW7512 | | | | |
| G-9 | 3320-GPW7545 | | WO-A178 | 02-3 | SPRING, control tube (compression, 5/16 OD, 1 3/4 | ea | 1 |
| | | | FM-GPW7545 | | free lgh). | | |
| G-9 | 3320-GPW7562 | | WO-630117 | 02-1, 3 | SPRING, release bearing carrier----- | ea | 1 |
| | | | FM-GPW7562 | | | | |
| | G503-0389783 | | WO-630593 | 02-3 | SPRING, retracting, pedal (tension, 40 coils, 5 7/8 | ea | 1 |
| | | | FM-GPW7523 | | over-all lgh). | | |
| G-9 | G170-0392287 | A246557 | WO-A181 | 02-3 | STUD, ball, S, 5/16-14NC (control tube)----- | ea | 2 |
| | | | FM-GPW7514 | | | | |
| H-1 | H101-0118616 | 118616 | ----- | 02-3 | NUT, hex, light, s-fin, S, phos-ctd, 5/16-14NC-2- | ea | 2 |
| H-1 | H001-7025775 | 115314 | ----- | 02-3 | WASHER, lock, med, S, phos-ctd, 5/16 in---- | ea | 2 |
| G-9 | 3320-356561S | | WO-A498 | 02-3 | WASHER, pedal shaft (special, S, 1 1/2 ID x 1 1/2 | ea | 3 |
| | | | FM-356561S | | OD x 5/8 thk). | | |
| H-1 | H001-0811361 | 108643 | ----- | 02-3 | PIN, cotter, split, S, 3/32 x 1 1/8----- | ea | 3 |
| H-1 | H001-1810030 | 104037 | WO-6599 | ----- | YOKE, rod end, adjustable, light, S, 5/16-24NF-2 | ea | 1 |
| | | | | | control cable (Superseded by YOKE WO- | | |
| | | | | | 632177, FM-GPW7532). | | |
| G-9 | 3320-GPW7532 | | WO-632177 | 02-3 | YOKE, rod end, adjustable, control cable----- | ea | 1 |
| | | | FM-GPW7532 | | | | |
| H-1 | H001-4167561 | 120368 | ----- | 02-3 | NUT, hex, light, s-fin, S, cd or zn-pltd, 5/16- | ea | 1 |
| | | | | | 24NF-2. | | |
| | G503-7326118 | 7326118 | WO-339043 | 02-3 | PIN, clevis, S, 5/16 x 2 7/32----- | ea | 1 |
| | | | FM-73880S | | | | |
| H-1 | H001-0811040 | 103374 | ----- | | PIN, cotter, split, S, 3/32 x 1----- | ea | 1 |



| KEY ITEM | PART NO. |
|------------------|-------------------------|
| A-LEVER | CAR-14-246S |
| B-NUT | 120619 |
| C-CLAMP | CAR-62-134 |
| D-SPRING | CAR-61-190 |
| E-SCREW | CAR-105-13 |
| F-LEVER, ASSY | CAR-62-135S |
| G-SPRING | CAR-61-119 |
| H-SCREW | 131954 |
| J-VALVE, ASSY | CAR-7-116S |
| K-SCREW | CAR-39-10 |
| L-HORN, ASSY | CAR-6-312S |
| M-SCREW | CAR-101-150S |
| N-ROD | CAR-75-547 |
| P-COVER, ASSY | CAR-146-95S |
| Q-SCREW | 131970 |
| R-WASHER | 116118 |
| S-DISK | CAR-129-15 |
| T-GASKET | CAR-20-22 |
| U-VALVE, ASSY | CAR-25-93S |
| Y-SPRING | CAR-61-207 |
| W-PIN | CAR 150-98 |
| X-PLUG | CAR-11B129S |
| Y-GASKET | CAR-20-26 |
| Z-JET | CAR-11-180S |
| AA-GASKET | CAR-121-73 |
| AB-FLOAT ASSY | CAR-21-74S |
| AC-JET | CAR-120-151S |
| AD-GASKET | CAR-20-72 |
| AE-NOZZLE | CAR 12-25S |
| AF-PLUG | CAR-11B105 |
| AG-PLUG | CAR-11B127S |
| AH-JET | CAR-43-67 |
| AJ-ROD | CAR-115-59 |
| AK-SPRING | CAR-61-128 |
| AL-RETAINER | CAR-63-35 |
| AM-ARM, ASSY | CAR-114-21S |
| AN-SCREW | 132100 |
| AP-PLUG | CAR 11B108 |
| AQ-FLANGE, ASSY | CAR-1-407 |
| AR-VALVE | CAR-2-89 |
| AS-SCREW | CAR-39-11 |
| AT-SHAFT, ASSY | CAR-3-46S |
| AU-SCREW | CAR-101-121 |
| AV-SPRING | CAR-61-67 |
| AW-SCREW | CAR-30A39 |
| AX-GASKET | CAR-121-56 |
| AY-INSULATOR | CAR-183-19 |
| AZ-PLUG | CAR-11B125S |
| BA-GASKET | CAR-20-61 |
| BB-STRAINER | CAR-30-20 |
| BC-CHECK, ASSY | CAR-122-64S |
| BD-CHECK, ASSY | CAR-122-47 |
| BE-WASHER | 115109 |
| BF-SCREW | 190392 |
| BG-JET | CAR-48-84 |
| BH-SPRING | CAR-61-171 |
| BJ-PLUNGER, ASSY | CAR-64-62S |
| BK-PIN | CAR-24-23 |
| BL-LINK | CAR-117-58 |
| BM-SPRING | CAR 61-169 |
| BN-LEVER, ASSY | CAR-53A251S |
| BP-SPRING | CAR-150A10 |
| BQ-PIN | CAR 150-97 |
| BR-SPRING | CAR-61-272 |
| BS-WASHER | 113818 |
| BT-NUT | 134530 |
| BU-ARM, ASSY | CAR-53A168S |
| BV-SCREW | CAR-101 142S |
| BW-LINK | CAR-117-106 |
| BX-BOWL | NOT SERVICED SEPARATELY |

ALL PARTS LISTED IN GROUP 0301

RA PD 342289G

Figure 03-1. Carburetor—exploded view.

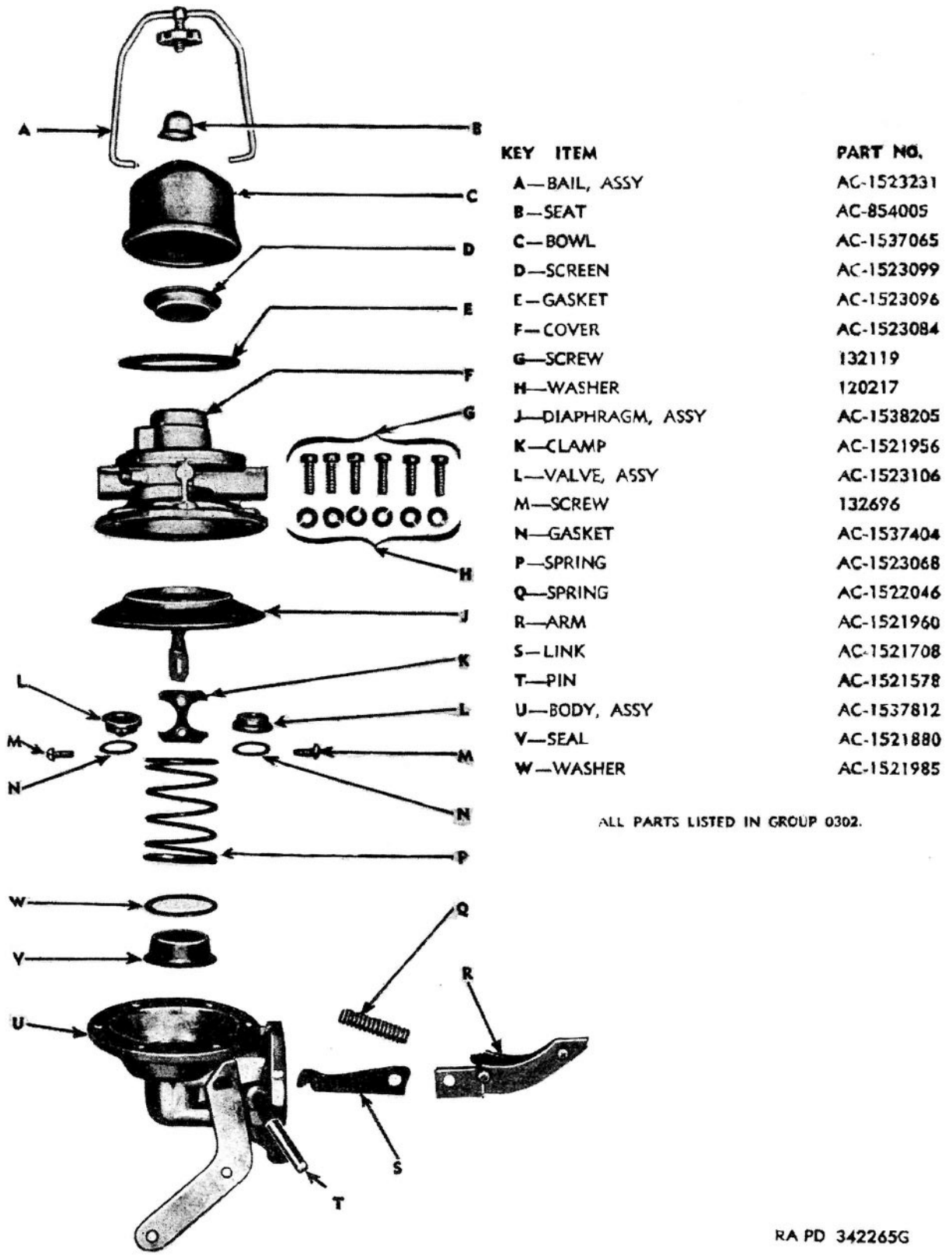
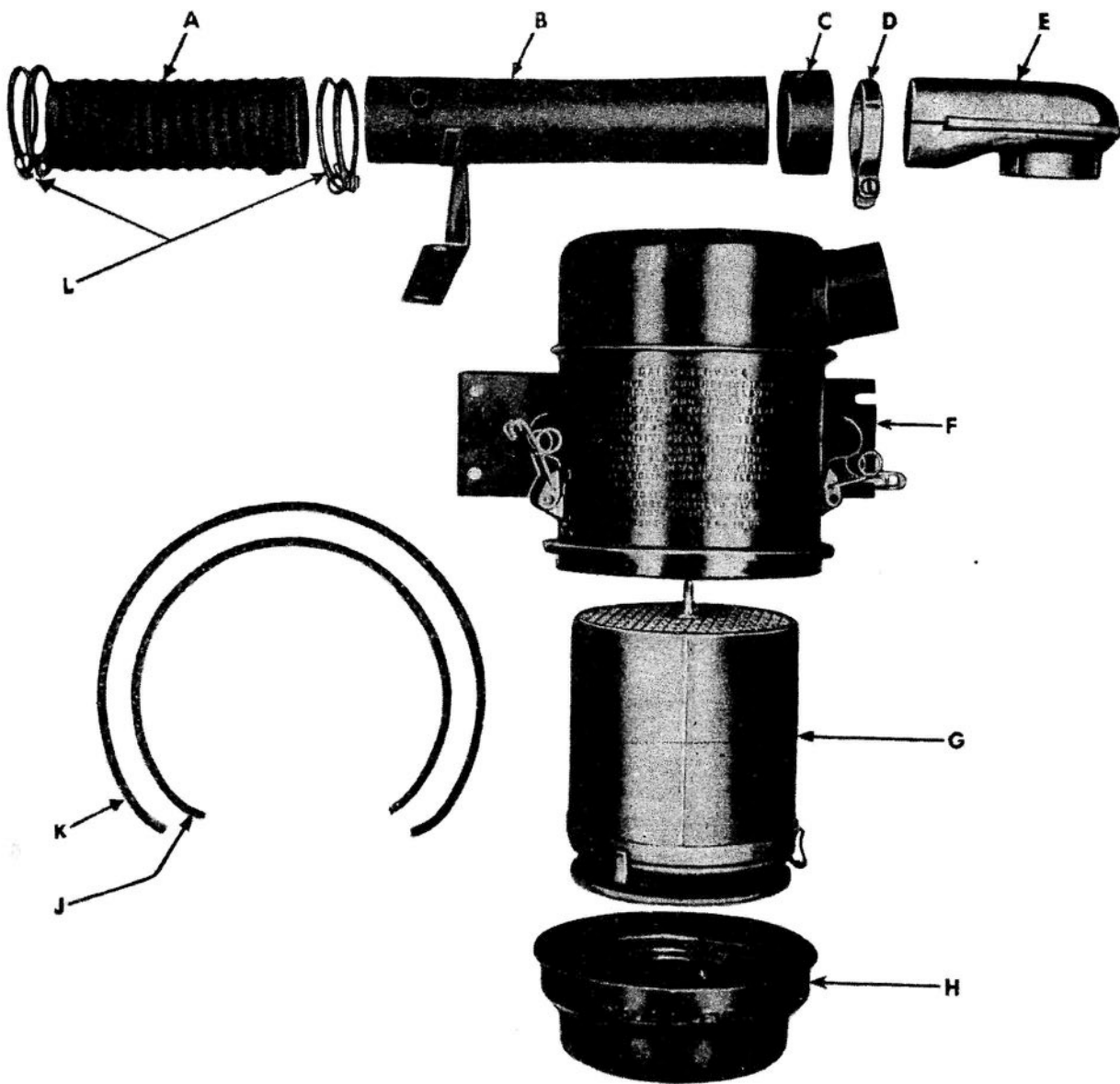


Figure 03-2. Fuel pump—exploded view.

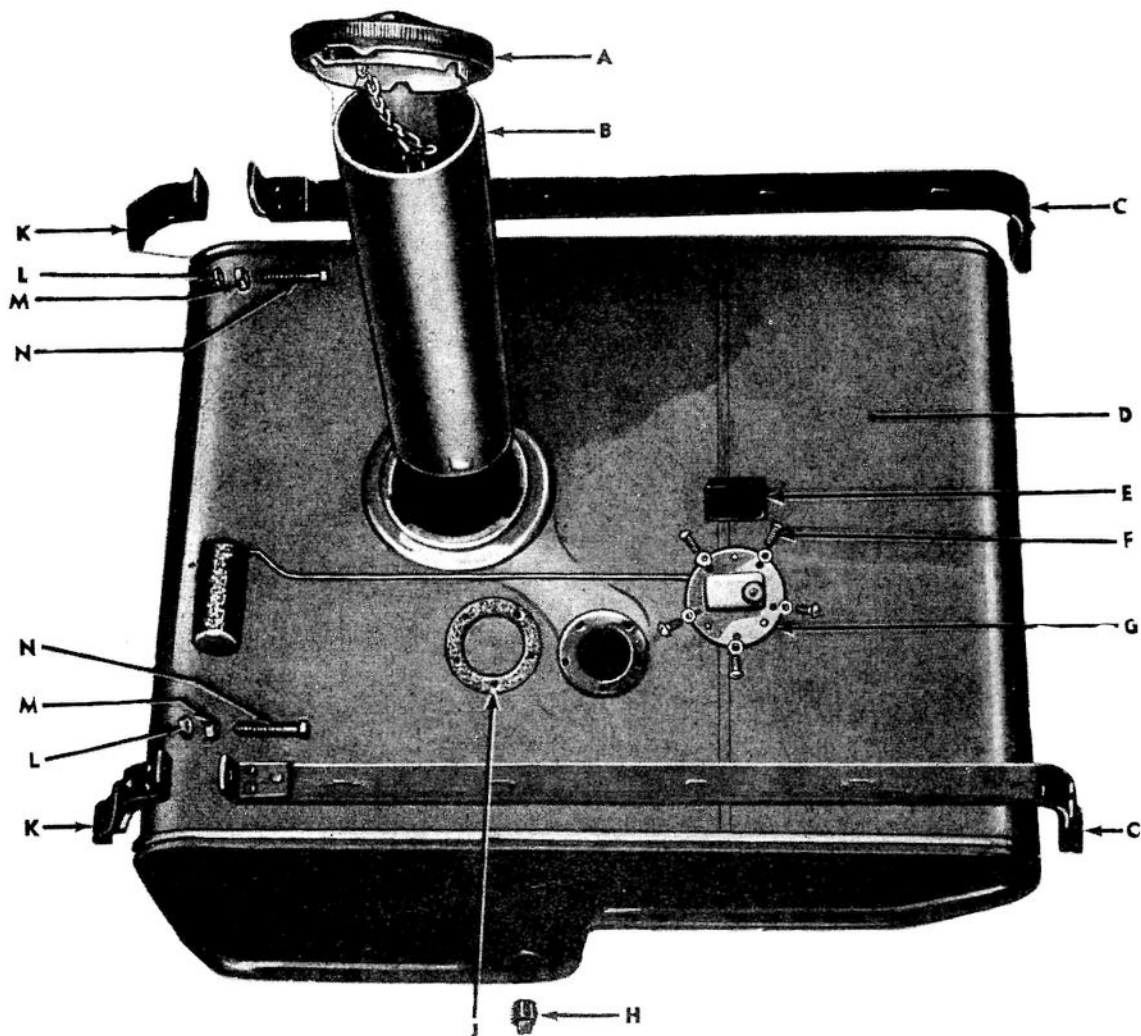
RA PD 342265G



| KEY ITEM | PART NO. | KEY ITEM | PART NO. |
|--------------|------------|-----------------|------------|
| A—HOSE | WO-A1311 | G—ELEMENT, ASSY | OKS-613387 |
| B—TUBE, ASSY | WO-A6911 | H—CUP | OKS-613306 |
| C—BUSHING | WO-A1451 | J—GASKET | OKS-613314 |
| D—CLAMP | WO-A1515 | K—GASKET | OKS-613313 |
| E—HORN | WO-A463 | L—CLAMP | USL-461389 |
| F—BODY, ASSY | OKS-613455 | | |

ALL PARTS LISTED IN GROUP 0304
RA PD 342266G

Figure 03-8. Air cleaner—exploded view.

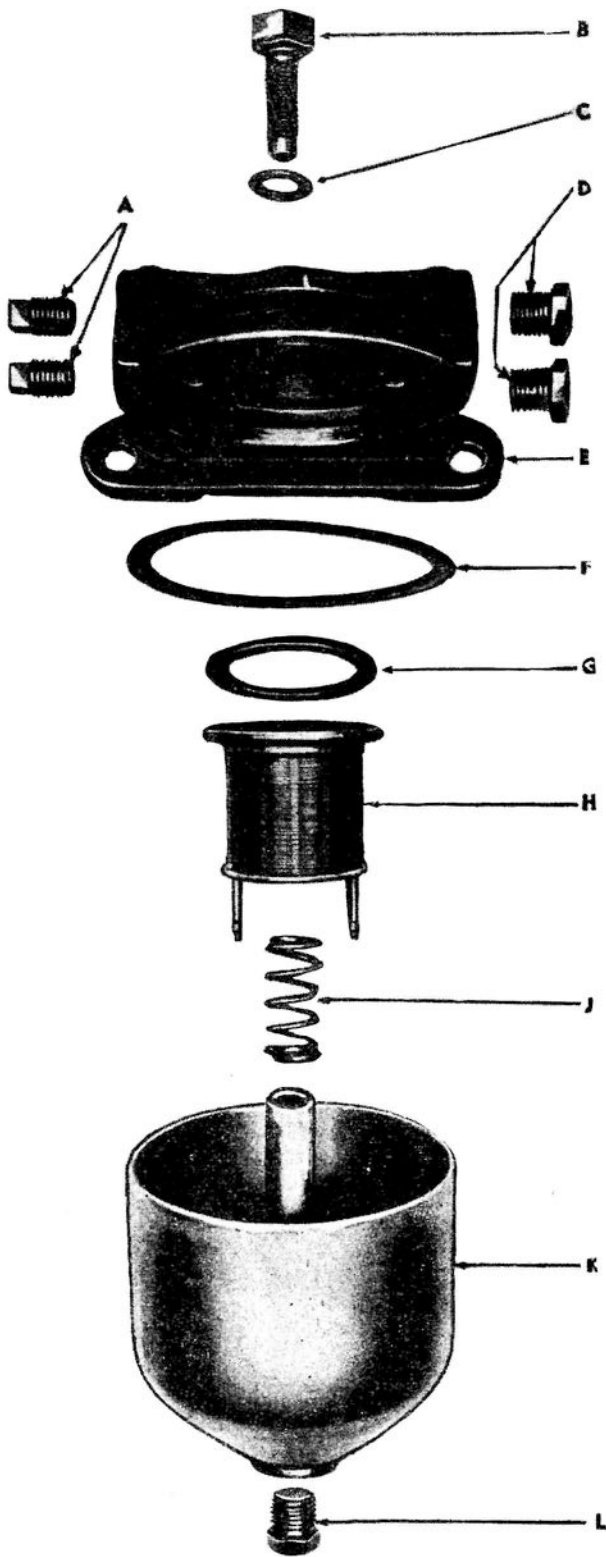


| KEY ITEM | PART NO. | KEY ITEM | PART NO. |
|-------------------|----------|-------------------|----------|
| A—CAP, ASSEMBLY | WO-A6333 | H—PLUG | 117244 |
| B—EXTENSION | WO-A6424 | J—GASKET | WO-A1293 |
| C—STRAP, ASSEMBLY | WO-A1472 | K—STRAP, ASSEMBLY | WO-A1477 |
| D—TANK, ASSEMBLY | WO-A6618 | L—NUT | 107822 |
| E—PROTECTOR | WO-A1763 | M—NUT | 120368 |
| F—SCREW | 178460 | N—SCREW | 215417 |
| G—UNIT, ASSEMBLY | WC-A1292 | | |

ALL PARTS LISTED IN GROUP 0306.

RA PD. 342228G

Figure 03-4. Fuel tank and related parts.

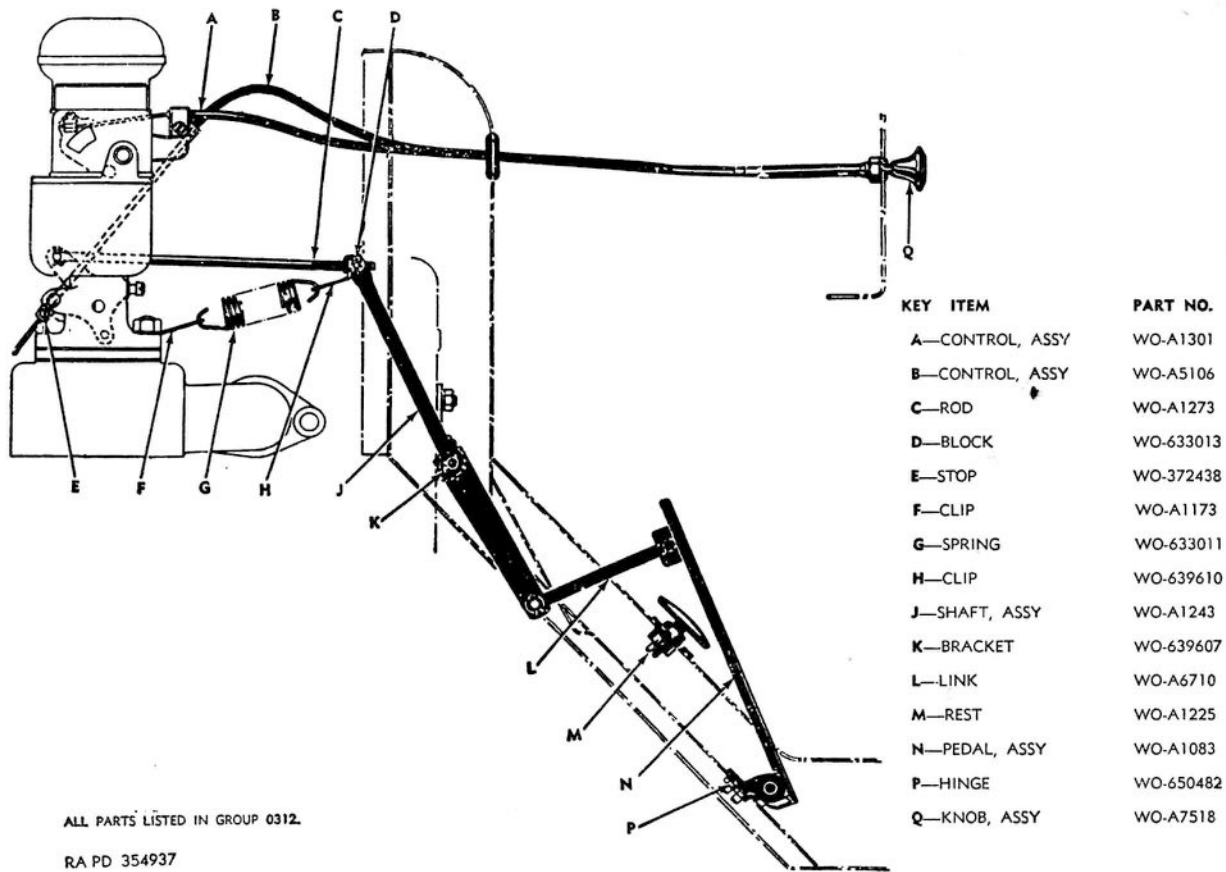


| KEY ITEM | PART NO. |
|-----------|------------|
| A—PLUG | 103866 |
| B—SCREW | AC-853634 |
| C—GASKET | AC-853562 |
| D—BUSHING | 119922 |
| E—COVER | AC-1504212 |
| F—GASKET | AC-853558 |
| G—GASKET | AC-853572 |
| H—ELEMENT | AC-1595823 |
| J—SPRING | AC-1504118 |
| K—BOWL | AC-1504117 |
| L—PLUG | 127951 |

ALL PARTS LISTED IN GROUP 0309.

RA PD 342239G

Figure 03-5. Fuel filter—exploded view.



ALL PARTS LISTED IN GROUP 0312.

RA PD 354937

Figure 03-6. Throttle and choke controls.

| (1) NOTE SYMBOL | (2) STOCK NO. | (3) ORDNANCE PART NO. | (4) MFR'S PART NO. | (5) FIGURE NO. | (6) NOMENCLATURE | (7) UNIT OF MEAS- URE | (8) QUAN- TITY PER UNIT ASSEM- BLY |
|-----------------------------|------------------|-----------------------------|----------------------------------------|----------------------|------------------------------------------------------------------------------------------------------------------------------------------------------------|-----------------------------------|------------------------------------------------------|
| GROUP 03—FUEL SYSTEM | | | | | | | |
| 0301—CARBURETOR | | | | | | | |
| G-9 | 1500-53A168S | ----- | CAR-53A168S WO-116181 FM-GPW9528 | 03-1 | ARM, pump, w/COLLAR, assy----- | ea | 1 |
| G-9 | 1500-114-21S | ----- | CAR-114-21S WO-116197 FM-GPW9583 | 03-1 | ARM, throttle shaft, w/SCREW, assy(also known as LEVER). | ea | 1 |
| H-1 | H101-0132100 | 132100 | ----- | 03-1 | SCREW, mach, fil-hd, S, cd or zn-pltd, No. 10-32NF-2 x 1/16. | ea | 1 |
| G-9 | G503-0131592 | ----- | CAR-539S WO-A1223 FM-GPW9510 | 03-1 01-1 05-1 | AXLE, float lever (See PIN, float lever). BOWL, carburetor (Not serviced separately)----- CARBURETOR, assy (Superseded by CAR- BURETOR CAR-698S). | ea ea | 1 1 |
| | G503-7743886 | 7743886 | CAR-698S WO-647843C | ----- | CARBURETOR, assy----- | ea | 1 |
| H-1 | H001-4027541 | 225831 | ----- | ----- | NUT, hex, reg, s-fin, S, cd or zn-pltd, 3/8- 24NF-2. | ea | 2 |
| H-1 | H101-0111318 | 111318 | WO-632159 | 01-16 | STUD, cd or zn-pltd, 3/8-16NC (3/16) x 3/8- 24NF-2 (3/8) x 1 1/16. | ea | 2 |
| G-9 | ----- | ----- | CAR-122-64S WO-116205 FM-GPW9576 | 03-1 | CHECK, fuel intake, assy----- | ea | 1 |
| G-9 | ----- | ----- | CAR-122-47S WO-116204 FM-GPW9594 | 03-1 | CHECK, pump discharge, assy----- | ea | 1 |
| G-9 | ----- | ----- | CAR-62-134 WO-116587 FM-GPW9595 | 03-1 | CLAMP, choke control tube----- | ea | 1 |
| H-1 | H001-4051541 | 120619 | ----- | 03-1 | NUT, mach screw, sq, S, cd or zn-pltd, No. 10-24NC-2. | ea | 1 |
| H-1 | H001-5148281 | 120910 | CAR-105-13 WO-116588 FM-355132S7 | 30-1 | SCREW, mach, rd-hd, S, cd or zn-pltd (0.190) No. 10-24NC x 3/4. | ea | 1 |
| G-9 | 1500-146-95S | ----- | CAR-146-95S WO-116208 FM-GPW9515 | 03-1 | COVER, bowl, w/PIN, assy----- | ea | 1 |

| | | | | | | | |
|-----|---------------|---------|------------------------------------------|-------|-----------------------------------------------------------------------------|----|---|
| H-1 | H001-5125851 | 131970 | ----- | 03-1 | SCREW, mach, fil-hd, S, cd orzn-pltd, No. 8 32NC-2 x 1/2. | ea | 2 |
| H-1 | H001-7025595 | 116118 | ----- | 03-1 | WASHER, lock, med, S, phos-ctd, No. 8 | ea | 2 |
| G-9 | ----- | ----- | CAR-129-15 WO-116206 FM-GPW9905 | 03-1 | DISK, metering rod | ea | 1 |
| G-9 | ----- | ----- | CAR-1-407 WO-116584 FM-GPW9518 | 03-1 | FLANGE, body, assy | ea | 1 |
| H-1 | H101-0190392 | 190392 | ----- | 03-1 | SCREW, mach, fil-hd, S, cd or zn-pltd, 1/4- 28NF-2 x 3/8. | ea | 2 |
| H-1 | H001-7025785 | 115109 | ----- | 03-1 | WASHER, lock, med, S, phos-ctd, 1/4-in | ea | 2 |
| G-9 | 1500-21-74S | ----- | CAR-21-74S WO-116172 FM-GPW9550 | 03-1 | FLOAT, w/LEVER, assy | ea | 1 |
| G-9 | G503-0194034 | ----- | CAR-121-56 WO-116202 FM-GPW9516 | 03-1 | GASKET, body flange to bowl | ea | 2 |
| G-9 | 1500-121-73 | ----- | CAR-121-73 WO-116203 FM-GPW9519 | 03-1 | GASKET, bowl cover | ea | 1 |
| G-9 | 3320-GPW9447 | ----- | FM-GPW9447 | ----- | GASKET, carburetor to intake manifold (Super- seded by GASKET CAR-1A55). | ea | 1 |
| G-9 | 1500-1A55 | ----- | CAR-1A55 WO-A6357 FM-GPW9445 | ----- | GASKET, carburetor to intake manifold | ea | 1 |
| G-9 | G503-5293029 | A293029 | CAR-20-22 WO-116168 FM-GPW9569 | 03-1 | GASKET, needle valve seat | ea | 3 |
| G-9 | G085-3002100 | A281434 | CAR-20-45 | ----- | GASKET, nozzle (for CARBURETOR CAR- 698S). | ea | 1 |
| G-9 | G503-7698615 | 7698615 | CAR-20-72 WO-116171 FM-GPW9926 | 03-1 | GASKET, nozzle (for CARBURETOR CAR- 539S). | ea | 1 |
| M-5 | 1500-20-26 | A293135 | CAR-20-26 WO-116169 FM-GPW9608 | 03-1 | GASKET, pump check valve passage plug and idle well jet. | ea | 3 |
| G-9 | 1500-20-61 | ----- | CAR-20-61 WO-116170 FM-GPW9574 | 03-1 | GASKET, strainer plug | ea | 1 |
| G-9 | 1500-6-312S | ----- | CAR-6-312S WO-116544 FM-GPW9520 | 03-1 | HORN, air, assy | ea | 1 |
| G-9 | 1500-101-150S | ----- | CAR-101-150S WO-116385 FM-355200S7 | 03-1 | SCREW, w/WASHER, fil-hd, S, cd-pltd, No. 12-28NF x 3/16. | ea | 2 |

| (1) NOTE SYMBOL | (2) STOCK NO. | (3) ORDNANCE PART NO. | (4) MFR'S PART NO. | (5) FIGURE NO. | (6) NOMENCLATURE | (7) UNIT OF MEAS- URE | (8) QUAN- TITY PER UNIT ASSEM- BLY |
|---------------------------------------|------------------|-----------------------------|--------------------------------------------------------|-------------------|-------------------------------------------------------------------------------------------|-----------------------------------|------------------------------------------------------|
| GROUP 03—FUEL SYSTEM—Continued | | | | | | | |
| 0301—CARBURETOR—Continued | | | | | | | |
| G-9 | G503-7702733 | 7702733 | CAR-183-19 WO-116210 FM-GPW9554 | 03-1 | INSULATOR, bowl to flange..... | ea | 1 |
| G-9 | | | CAR-48-84 WO-116180 FM-GPW9940 | 03-1 | JET, accelerator pump..... | ea | 1 |
| G-9 | 1500-43-67 | | CAR-43-67 WO-116179 FM-GPW9544 | 03-1 | JET, idle well..... | ea | 1 |
| G-9 | | | CAR-11-180S WO-116539 FM-GPW9533 | 03-1 | JET, low speed, assy (for CARBURETOR CAR-539S). | ea | 1 |
| G-9 | 1500-120-151S | | CAR-11-186S CAR-120-151S WO-116541 FM-GPW9914 | 03-1 | JET, low speed, assy (for CARBURETOR CAR-698S). JET, metering rod, w/GASKET, assy..... | ea | 1 |
| G-9 | 1500-14-246S | | CAR-14-246S WO-116545 FM-GPW9546 | 03-1 | LEVER, choke control, w/SHAFT, assy..... | ea | 1 |
| G-9 | 1500-62-135S | | CAR-62-135S WO-116586 FM-GPW9526 | 03-1 | LEVER, choke, w/BRACKET, assy..... | ea | 1 |
| H-1 | H001-5125821 | 131958 | | | SCREW, mach, fil-hd, S, cd or zn-pltd, No. 8-32NC-2 x 5/16. | ea | 2 |
| G-9 | 1500-53A251S | | CAR-53A251S WO-116537 FM-GPW9529 | 03-1 | LEVER, operating, accelerator pump, assy..... | ea | 1 |
| G-9 | 1500-117-106 | | CAR-117-106 WO-116542 FM-GPW9598 | 03-1 | LINK, choke control lever..... | ea | 1 |
| G-9 | G503-5293071 | A293071 | CAR-117-58 WO-116199 FM-GPW9527 | 03-1 | LINK, connector, accelerator pump..... | ea | 1 |

| | | | | | | | |
|-----|--------------|---------|----------------------------------------|-------|---------------------------------------------------------------|----|---|
| G-9 | 1500-12-255 | ----- | CAR-12-255 WO-116166 FM-GPW9922 | 03-1 | NOZZLE, high speed (for CARBURETOR CAR-539S). | ea | 1 |
| | G503-7744589 | 7744589 | CAR-12-323 WO-117369 | ----- | NOZZLE, high speed (for CARBURETOR CAR-698S). | ea | 1 |
| M-5 | G507-5346740 | A346740 | CAR-24-23 WO-116173 FM-GPW9558 | 03-1 | PIN, float lever----- | ea | 1 |
| G-9 | 1500-150-98 | ----- | CAR-150-98 WO-116177 FM-GPW9566 | 3-1 | PIN, intake needle spring----- | ea | 1 |
| G-9 | 1500-150-97 | ----- | CAR-150-97 WO-116209 FM-GPW9930 | 03-1 | PIN, metering rod----- | ea | 1 |
| H-2 | H102-0142581 | 142581 | ----- | ----- | CLIP, retaining, 1/2 groove diam----- | ea | 1 |
| H-1 | H001-4135581 | 134530 | ----- | 03-1 | NUT, mach screw, hex, S, cd or zn-pltd, No. 6-32NC-2. | ea | 1 |
| | G503-5281411 | ----- | CAR-150A10 WO-116178 FM-GPW9599 | 03-1 | SPRING, retaining (Superseded by CLIP 142581). | ea | 1 |
| H-1 | H001-1522003 | 113818 | ----- | 03-1 | WASHER, plain, SAE std, br, No. 6----- | ea | 1 |
| M-5 | ----- | A312057 | CAR-11B108 WO-116162 FM-GPW9579 | 03-1 | PLUG, rivet, carburetor throttle body idle port passage. | ea | 1 |
| G-9 | G503-5293022 | A293022 | CAR-11B129S WO-116165 FM-GPW9543 | 03-1 | PLUG, low speed jet and idle well passage, w/GASKET, assy. | ea | 2 |
| G-9 | 1500-11B127S | ----- | CAR-11B127S WO-116164 FM-GPW9928 | 03-1 | PLUG, pump jet and nozzle passage, w/GASKET, assy. | ea | 2 |
| G-9 | 1500-11B105 | ----- | CAR-11B105 WO-116161 FM-GPW9562 | 03-1 | PLUG, retainer, nozzle (for CARBURETOR CAR-539S). | ea | 1 |
| G-9 | G085-3005000 | A281470 | CAR-11B164 | ----- | PLUG, retainer, nozzle (for CARBURETOR CAR-698S). | ea | 1 |
| G-9 | 1500-11B35 | ----- | CAR-11B35 WO-116159 FM-GPW9522 | ----- | PLUG, rivet----- | ea | 1 |
| M-5 | 1500-11B79 | 7324060 | CAR-11B79 WO-116160 FM-GPW9523 | ----- | PLUG, rivet, carburetor float chamber body and cover passage. | ea | 1 |
| G-9 | 1500-11B125S | ----- | CAR-11B125S WO-116163 FM-GPW9696 | 08-1 | PLUG, strainer passage, w/GASKET, assy----- | ea | 1 |
| G-9 | ----- | ----- | CAR-64-62S WO-116195 FM-GPW9631 | 03-1 | PLUNGER, pump, w/ROD, assy----- | ea | 1 |

| (1) NOTE SYMBOL | (2) STOCK NO. | (3) ORDNANCE PART NO. | (4) MFR'S PART NO. | (5) FIGURE NO. | (6) NOMENCLATURE | (7) UNIT OF MEAS- URE | (8) QUAN- TITY PER UNIT ASSEM- BLY |
|---------------------------------------|------------------|-----------------------------|------------------------------------------|-------------------|------------------------------------------------------------------------------------------|-----------------------------------|------------------------------------------------------|
| GROUP 03—FUEL SYSTEM—Continued | | | | | | | |
| 0301—CARBURETOR—Continued | | | | | | | |
| G-9 | G503-5293047 | A293047 | CAR-63-35 WO-116194 FM-GPW9614 | 03-1 | RETAINER, throttle connecting rod spring (for CARBURETOR CAR-539S). | ea | 1 |
| | G503-7744588 | 7744588 | CAR-63-93 WO-116925 | ----- | RETAINER, throttle connecting rod spring (for CARBURETOR CAR-698S). | ea | 1 |
| G-9 | ----- | ----- | CAR-115-59 WO-116198 FM-GPW9531 | 03-1 | ROD, connector, throttle----- | ea | 1 |
| G-9 | 1500-75-547 | ----- | CAR-75-547 WO-116540 FM-GPW9906 | 03-1 | ROD, metering----- | ea | 1 |
| G-9 | G503-7702610 | 7702610 | CAR-30A39 WO-116176 FM-GPW9541 | 03-1 | SCREW, adjusting, idle----- | ea | 1 |
| G-9 | G085-3004960 | ----- | CAR-101-121 WO-116214 FM-GPW9610 | 03-1 | SCREW, adjusting, throttle lever----- | ea | 1 |
| H-1 | H001-5125811 | 131954 | ----- | 03-1 | SCREW, mach, fil-hd, S, cd or zn-pltd, No. 8-32NC-2 x 1/4 (throttle control wire clamp). | ea | 1 |
| H-1 | H001-5125821 | 131958 | CAR-101-6 WO-301232 FM-31037S7 | ----- | SCREW, mach, fi-hd, S, cd-pltd, No. 8-32NC x 1/16 (choke lever bracket). | ea | 1 |
| G-9 | G503-7343368 | 7343368 | CAR-101-142S WO-116384 FM-355067S7 | 03-1 | SCREW, w/WASHER, choke bracket (fil-hd, No. 8-32NC x 0.327). | ea | 1 |
| G-9 | 1500-3-465S | ----- | CAR-3-465S WO-116585 FM-GPW9581 | 03-1 | SHAFT, throttle valve, w/LEVER, assy----- | ea | 1 |
| G-9 | 1500-61-190 | ----- | CAR-61-190 WO-116189 FM-GPW9587 | 03-1 | SPRING, choke link----- | ea | 1 |
| G-9 | 1500-61-119 | A346732A | CAR-61-119 WO-116184 FM-GPW9624 | 03-1 | SPRING, choke pull-back----- | ea | 1 |

| | | | | | | | |
|-----------------------|--------------|---------|---------------------------------------|-------|---------------------------------------------------|----|---|
| G-9 | G085-3005920 | A312058 | CAR-61-128 WO-116185 FM-GPW9615 | 03-1 | SPRING, antirattle, throttle connecting rod----- | ea | 1 |
| G-9 | G503-5293042 | A293042 | CAR-61-57 WO-116183 FM-GPW9578 | 03-1 | SPRING, idle adjustment screw----- | ea | 1 |
| G-9 | ----- | ----- | CAR-61-207 WO-116191 FM-GPW9935 | 03-1 | SPRING, intake needle----- | ea | 1 |
| G-9 | 1500-61272 | ----- | CAR-61-272 WO-116538 FM-GPW9907 | 03-1 | SPRING, metering rod----- | ea | 1 |
| G-9 | G125-0882589 | ----- | CAR-61-143 WO-116186 FM-GPW9650 | ----- | SPRING throttle pump plunger packing----- | ea | 1 |
| G-9 | 1500-61-171 | ----- | CAR-61-171 WO-116188 FM-GPW9636 | 03-1 | SPRING, pump----- | ea | 1 |
| G-9 | 1500-61-169 | ----- | CAR-61-169 WO-116187 FM-GPW9570 | 03-1 | SPRING, pump arm----- | ea | 1 |
| G-9 | G085-3004900 | A281437 | CAR-30-20 WO-116175 FM-GPW9575 | 03-1 | STRAINER, pump check----- | ea | 1 |
| G-9 | 1500-7-116S | ----- | CAR-7-116S WO-116157 FM-GPW9549 | 03-1 | VALVE, choke, assy----- | ea | 1 |
| G-9 | G503-5281457 | A281457 | CAR-39-10 WO-116216 FM-GPW9586 | 03-1 | SCREW----- | ea | 2 |
| G-9 | 1500-25-93S | ----- | CAR-25-93S WO-116174 FM-GPW9567 | 03-1 | VALVE, needle, intake, w/SEAT and SPRING assy. | ea | 1 |
| G-9 | 1500-2-89 | ----- | CAR-2-89 WO-116154 FM-GPW9585 | 03-1 | VALVE, throttle----- | ea | 1 |
| G-9 | G085-3005020 | A346734 | CAR-39-11 WO-116217 FM-GPW9588 | 03-1 | SCREW----- | ea | 2 |
| 0302-FUEL PUMP | | | | | | | |
| M-5 | 0040-1521960 | ----- | AC-1521960 WO-115641 FM-GPW9399 | 03-2 | ARM, rocker, assy----- | ea | 1 |
| M-5 | G085-3000180 | ----- | AC-1523231 WO-115657 FM-GPW9387 | 03-2 | BAIL, w/SCREW (bowl), assy (type FP-2)----- | ea | 1 |

| (1) NOTE SYMBOL | (2) STOCK NO. | (3) ORDNANCE PART NO. | (4) MFR'S PART NO. | (5) FIGURE NO. | (6) NOMENCLATURE | (7) UNIT OF MEAS- URE | (8) QUAN- TITY PER UNIT ASSEM- BLY |
|---------------------------------------|------------------|-----------------------------|----------------------------------------------------|-------------------|--------------------------------------------------------------------------------|-----------------------------------|------------------------------------------------------|
| GROUP 03—FUEL SYSTEM—Continued | | | | | | | |
| 0302—FUEL PUMP—Continued | | | | | | | |
| M-5 | G085-3000880 | ----- | AC-1523090 AC-1537812 WO-A1045 FM-GPW9386 | 03-2 | BODY (for PUMP AC-1538836)----- | ea | 1 |
| M-5 | G085-3004580 | A292972 | AC-1537065 WO-A1494 FM-GPW9355 | 03-2 | BODY, w/priming LEVER, assy----- | ea | 1 |
| M-5 | G085-3004580 | A292972 | AC-1521956 WO-115653 FM-11A9361 | 03-2 | BOWL, sediment (metal) (type FP-10)----- | ea | 1 |
| H-1 | H001-5146441 | 132696 | ----- | 03-2 | CLAMP, valve (also known as RETAINER)----- | ea | 1 |
| M-5 | ----- | ----- | AC-1523084 WO-115650 FM-GPW9354 | 03-2 | SCREW, mach, rd-hd, S, cd or zn-pltd, No. 6-32NC-2 x ¾. | ea | 2 |
| H-1 | H001-5127361 | 132119 | ----- | 03-2 | COVER, assy----- | ea | 1 |
| H-1 | H001-7025621 | 120217 | ----- | 03-2 | SCREW, mach, fil-hd, S, cd or zn-pltd, No. 10-32NF-2 x ¾. | ea | 6 |
| M-5 | G085-0100660 | A307627 | AC-1522199 WO-115644 FM-GPW9398 | 03-2 | WASHER, lock, med, S, cd or zn-pltd, No. 10- | ea | 6 |
| M-5 | G085-0100660 | A307627 | AC-1538205 WO-116995 FM-GPW9398B | 03-2 | DIAPHRAGM (w/pull ROD) assy (for PUMP AC-1537766). | ea | 1 |
| M-5 | G085-3002220 | ----- | AC-1523096 WO-115656 FM-GPW9364 | 03-2 | DIAPHRAGM (w/pull ROD) assy (for PUMPS AG-1538213 and AC-1538886). | ea | 1 |
| M-5 | G503-5261672 | A261672 | AC-838263 WO-638737 FM-GPW9417 | ----- | GASKET, bowl to cover (type FG-3)----- | ea | 1 |
| G-9 | G540-7698604 | 7698604 | AC-1537404 | 03-2 | GASKET, pump to cylinder block----- | ea | 1 |
| M-5 | G085-3003100 | ----- | AC-1521708 WO-115880 FM-INC9381 | 03-2 | GASKET, valve----- | ea | 2 |
| M-5 | G085-1414736 | A292977 | AC-855763 WO-113461 FM-GPW9373 | 03-2 | LINK, rocker arm----- | ea | 1 |
| M-5 | G085-1414736 | A292977 | AC-855763 WO-113461 FM-GPW9373 | ----- | NUT, thumb, S, zn dichromate fin, No. 10-24NC-2 x ¾ OD (bowl seat on bail). | ea | 1 |

| | | | | | | | |
|-----|------------------------------|-------------------|----------------------------------------|--------------|----------------------------------------------------------------|----|---|
| M-5 | G085-3003640 | | AC-1521578 WO-A1046 FM-GPW9378 | 03-2 | PIN, pivot, rocker arm..... | ea | 1 |
| G-9 | G503-0345876 | | AC-1537766 WO-A1220 FM-GPW9350 | | PUMP, fuel, assy, (Superseded by PUMP AC-1538312). | ea | 1 |
| M-5 | 0040-1538312 | | AC-1538312 WO-A8323 FM-GPW9350B | 01-1 05-1 | PUMP, fuel, assy (Superseded by PUMP* AC-1538886). | ea | 1 |
| H-1 | G503-7744275 H001-5453161 | 7744275 180078 | AC-1538886 | | PUMP, fuel, assy..... | ea | 1 |
| H-1 | H001-7025711 | 120214 | | | SCREW, cap, hex-hd, S, cd or zn-pltd, 5/16-18NC-3 x 7/8. | ea | 2 |
| G-9 | G103-1767691 | A292981 | AC-1522072 | | WASHER, lock, med, S, cd or zn-pltd, 5/16 in. | ea | 2 |
| M-5 | G085-3004580 | A292972 | | | RETAINER, diaphragm spring (PUMPS AC-1538312 and AC-1538886). | ea | 1 |
| M-5 | G085-3004880 | | AC-1523099 WO-115654 FM-GPW9365 | 03-2 | RETAINER, valve (See CLAMP with the same part no.) | | |
| M-5 | 0040-1521880 | | AC-1523068 WO-115870 FM-GPW9469 | 03-2 | SCREEN, assy..... | ea | 1 |
| M-5 | G502-5292976 | A292976 | AC-854005 WO-113460 FM-GPW9388 | 03-2 | SEAL, pull rod (rubber)..... | ea | 1 |
| G-9 | 0040-1523744 | | AC-1523744 | | SEAT, bowl..... | ea | 1 |
| M-5 | G179-5346854 | A346854 | AC-1523068 WO-116694 FM-GPW9396B | 03-2 | SPRING, diaphragm (for PUMP AC-1537766) | ea | 1 |
| M-5 | G085-3005760 | A307309 | AC-1522046 WO-115643 FM-GPW9380 | 03-2 | SPRING, diaphragm (for PUMPS AC-1538312 and AC-1538886). | ea | 1 |
| M-5 | G508-5214749 | A214749 | AC-1523106 WO-115651 FM-11A9352 | 03-2 | SPRING, rocker arm..... | ea | 1 |
| M-5 | 0040-1521985 | | AC-1521985 WO-115869 FM-GPW9468 | 03-2 | VALVE, assy..... | ea | 2 |
| M-5 | G508-5214987 | A214987 | AC-1521288 WO-A1047 FM-GPW9377 | 03-2 | WASHER, diaphragm spring scat..... | ea | 1 |
| | | | OXS-613455 WO-A5629 FM-GPW9309 | 03-3 | WASHER, plain, 0.189 ID x 7/8 OD x 0.042 thk (rocker arm pin). | ea | 1 |
| | | | | | 0304-AIR CLEANER AND CONNECTIONS | | |
| | | | | | BODY, assy..... | ea | 1 |

| (1) NOTE SYMBOL | (2) STOCK NO. | (3) ORDNANCE PART NO. | (4) MFR'S PART NO. | (5) FIGURE NO. | (6) NOMENCLATURE | (7) UNIT OF MEAS- URE | (8) QUAN- TITY PER UNIT ASSEM- BLY |
|---------------------------------------------------|------------------|-----------------------------|----------------------------------------|-------------------|-------------------------------------------------------------------------------------------------------------------------------------------------------------|-----------------------------------|------------------------------------------------------|
| GROUP 03—FUEL SYSTEM—Continued | | | | | | | |
| 0304—AIR CLEANER AND CONNECTIONS—Continued | | | | | | | |
| | | | WO-A5104 FM-GPW9629 | | BRACE, support bracket | ea | 1 |
| | | | WO-A1279 FM-GPW9657 | | BRACKET, support, left, assy | ea | 1 |
| | | | WO-A1278 FM-GPW9656 | | BRACKET, support, right, assy | ea | 1 |
| H-1 | H001-4157561 | 120368 | | | NUT, hex, light, s-fin, S, cd or zn-pltd, $\frac{5}{16}$ - 24NF-2. | ea | 6 |
| H-1 | H101-0214656 | 214656 | | | SCREW, cap, hex-hd, S, cd or zn-pltd, $\frac{5}{16}$ - 24NF-2 x $\frac{5}{8}$. | ea | 6 |
| H-1 | H001-7025711 | 120214 | | | WASHER, lock, med, S, cd or zn-pltd, $\frac{5}{16}$ in | ea | 6 |
| G-9 | 3320-GPW9686 | | WO-A1451 FM-GPW9686 FM-GPW9686A | 03-3 | BUSHING, air intake horn to air tube and carb- uretor (3-ply rad. hose, $2\frac{1}{4}$ x $1\frac{1}{8}$) (Superseded by SEALS WO-A17317, WO-A17318). | ea | 2 |
| G-9 | G503-7099792 | 7099792 | WO-53384 FM-GPW9625 FM-91A8287 | | CLAMP, hose, air cleaner tube to horn (Used w/SEAL WO-A17317). | ea | 1 |
| G-9 | 3320-GPW2250 | | WO-A1515 FM-GPW2250 | 03-3 | CLAMP, hose, $2\frac{1}{2}$ ID (air horn to carburetor and air tube) (Used w/BUSHING WO-A1451). | ea | 2 |
| M-5 | G503-7036575 | 7036575 | USL-461389 WO-635097 FM-GPW9653 | 03-3 05-1 | CLAMP, air cleaner to carburetor hose ($2-\frac{3}{32}$ ID) (between air cleaner and TUBE WO-A6911). | ea | 2 |
| G-9 | 3320-GPW9628 | | WO-A281 FM-GPW9628 | | CLAMP, hose, carburetor to air intake horn ($2\frac{13}{32}$ ID) (Used w/SEAL WO-A17318). | ea | 1 |
| H-6 | H006-0502911 | 502911 | WO-53108 FM-GPW6772 | | CLAMP, hose, S, cd or zn-pltd, $\frac{3}{4}$ in (air cleaner tube to oil filter tube hose). | ea | 2 |
| M-5 | 6855-613300 | 7007562 | OKS-613300 WO-A5621 FM-GPW18205B | 05-2 | CLEANER, air, assy | ea | 1 |
| | G503-7324837 | 7324837 | WO-115905 FM-355253S | | SCREW, wing, $\frac{1}{4}$ -20NC-2 x $\frac{3}{4}$ | ea | 4 |
| H-1 | H001-7025685 | 115109 | | | WASHER, lock, med, S, phos-ctd, $\frac{1}{4}$ in | ea | 4 |
| M-5 | 6855-613306 | | OKS-163306 WO-A5631 FM-GPW9658 | 03-3 | CUP, oil | ea | 1 |

| | | | | | | | |
|-----------------------------------------|---------------|---------|----------------------------------------|----------------------|--------------------------------------------------------------------|----|---|
| | G503-0169094 | ----- | FM-GPW9618 | ----- | ELEMENT, assy (Superseded by ELEMENT OKS-613387). | ea | 1 |
| M-5 | G503-0169093 | ----- | OKS-613387 WO-A5630 FM-GPW9617 | 03-3 | ELEMENT, w/wing BOLT, assy----- | ea | 1 |
| G-9 | G503-7010486 | 7010486 | OKS-613313 WO-A5632 FM-GPW9621 | 03-3 | GASKET, body, upper----- | ea | 1 |
| M-5 | G503-7010485 | 7010485 | OKS-613314 WO-A5633 FM-GPW9623 | 03-3 | GASKET, body, lower----- | ea | 1 |
| | G503-7701460 | 7701460 | WO-A1224 FM-GPW9627 | ----- | HORN, air intake (Superseded by HORN WO-A463). | ea | 1 |
| M-5 | 3320-GPW9632 | ----- | WO-A463 FM-GPW9632 | 03-3 05-1 | HORN, air cleaner (air cleaner tube to carburetor)--- | ea | 1 |
| G-9 | 3320-GPW9652B | ----- | WO-A1311 FM-GPW9652 FM-GPW9652B | 03-3 05-1 | HOSE, air cleaner tube to cleaner----- | ea | 1 |
| G-9 | 3320-GPW6771 | ----- | WO-A6918 FM-GPW6771 | 05-2 | HOSE, air cleaner tube to oil filter tube----- | ea | 1 |
| G-9 | 3320-GPW9686B | ----- | WO-A17317 FM-GPW9686B | ----- | SEAL, air intake horn to air tube (Supersedes BUSHING WO-A1451). | ea | 1 |
| G-9 | 3320-GPW9633 | ----- | WO-A17318 FM-GPW9633 | ----- | SEAL, air intake horn to carburetor (Supersedes BUSHING WO-A1451). | ea | 1 |
| | G503-7701461 | 7701461 | WO-A642 FM-GPW9647 | ----- | SHIELD, assy----- | ea | 1 |
| H-1 | H001-4167525 | 115728 | ----- | ----- | NUT, hex, light, s-fin, S, phos-ctd, ¼-28NF-2--- | ea | 3 |
| H-1 | H001-5418261 | 123316 | ----- | ----- | SCREW, cap, hex-hd, S, cd or zn-pltd, ¼-28NF-3 x ½' | ea | 3 |
| H-1 | H001-7025785 | 115109 | ----- | ----- | WASHER, lock, med, S, phos-ctd, ¼ in----- | ea | 3 |
| H-1 | H001-7043685 | 118773 | ----- | ----- | WASHER, plain, SAE std, S, phos-ctd, ¼ in--- | ea | 3 |
| M-5 | G523-0137984 | 7010517 | OKS-613380 WO-A7191 FM-GPW9612 | ----- | SPRING, toggle, air cleaner (body to oil cup)---- | ea | 2 |
| G-9 | 3320-GPW9637B | ----- | WO-A6911 FM-GPW9637B | 01-2 03-3 05-1 | TUBE, w/BRACKET, assy (w/crankcase ventilator connection). | ea | 1 |
| G-9 | 3320-GPW9637A | ----- | WO-A1290 FM-GPW9637 FM-GPW96373A | ----- | TUBE, w/BRACKET, assy (w/o crankcase ventilator connection). | ea | 1 |
| 0306-FUEL TANK, LINES, AND GAGES | | | | | | | |
| | | | WO-A1738 FM-GPW9069 | ----- | ANTISQUEAK, fuel tank (1 in. wide x 6 in. long)----- | ea | 2 |
| | | | WO-A1739 FM-GPW9079 | ----- | (1 in. wide x 7¼ in. long)----- | ea | 2 |

| (1) NOTE SYMBOL | (2) STOCK NO. | (3) ORDNANCE PART NO. | (4) MFR'S PART NO. | (5) FIGURE NO. | (6) NOMENCLATURE | (7) UNIT OF MEAS- URE | (8) QUAN- TITY PER UNIT ASSEM- BLY |
|-----------------------|------------------|-----------------------------|----------------------------------------------------|-------------------|------------------------------------------------------------------------------------|-----------------------------------|------------------------------------------------------|
| | | | | | GROUP 03—FUEL SYSTEM—Continued | | |
| | | | | | 0306—FUEL TANK, LINES, AND GAGES—Continued | | |
| | | | | | ANTISQUEAK—Continued | | |
| | | | WO-A1740 FM-GPW9075 | ----- | (1 in. wide x 9½ in. long)----- | ea | 2 |
| | | | WO-A1741 FM-GPW9071 | ----- | (1 in. wide x 18 in. long)----- | ea | 2 |
| | | | WO-A1480 FM-GPW9078 | ----- | ANTISQUEAK, fuel tank hold-down strap (3¼ in. long)----- | ea | 2 |
| | | | WO-A1476 FM-GPW9074 | ----- | (24¾ in. long)----- | ea | 2 |
| | G503-7368263 | 7368263 | WO-A2954 FM-GPW9063 | ----- | BRA3KET, fuel tank hold-down----- | ea | 2 |
| H-1 | H001-0924140 | 102671 | | ----- | RIVET, b-hd, S, ¼ x ⅜----- | ea | 2 |
| | G503-7368264 | 7368264 | WO-A2953 FM-GPW9065 | ----- | BRACKET, fuel tank hold-down, inner, front (Superseded by BRACKET FM-GPW9065B). | ea | 1 |
| | G503-7368264 | 7368264 | FM-GPW9065B | ----- | BRACKET, fuel tank hold-down, inner, front----- | ea | 1 |
| H-1 | H001-4167505 | 118613 | | ----- | NUT, hex, light, s-fin, S, phos-ctd, ¼-20NC-2 | ea | 2 |
| H-1 | H101-0121668 | 121668 | | ----- | SCREW, cap, hex-hd, S, phos-ctd, ¼-20NC-3 x ⅝. | ea | 2 |
| H-1 | H001-7025685 | 115109 | | ----- | WASHER, lock, med, S, phos-ctd, ¼ in.----- | ea | 2 |
| | G503-7368268 | 7368268 | WO-A2952 FM-GPW9062 | ----- | BRACKET, fuel tank hold-down inner, rear----- | ea | 1 |
| | G503-7368269 | 7368269 | WO-A2970 FM-GPW9051 FM-GPW9051B | ----- | BRACKET, fuel tank hold-down, inner, rear, w/SUPPORT, assy. | ea | 1 |
| | G503-7368270 | 7368270 | WO-A3055 FM-GPW1111322 | ----- | CAP, drain, fuel tank well----- | ea | 1 |
| G-9 | G503-7702557 | 7702557 | AC-850042 WO-A1254 FM-GPW9030 FM-GPW9030A | ----- | CAP, filler, fuel tank, (2⅝ OD)----- | ea | 1 |
| G-9 | 3320-GPW9030B | ----- | WO-A6333 FM-GPW9030B | 03-4 | CAP, fuel tank, w/safety CHAIN, assy (4⅝ OD)----- | ea | 1 |

| | | | | | | | |
|-----|---------------|---------|----------------------------------------|-----------------|----------------------------------------------------------------------------------------------------------------------------------------------------------------------------|----|---|
| | G503-7368271 | 7368271 | WO-A1481 FM-GPW9066 | | CLAMP, fuel tank hold-down, assy----- | ea | 1 |
| H-1 | H001-4167561 | 120368 | | | NUT, hex, light, s-fin, S, cd or zn-pltd, $\frac{1}{16}$ - 24NF-2. | ea | 1 |
| H-1 | H001-4057561 | 107822 | | | NUT, jam, stamped, hex, light, 9-notch, S, cd or zn-pltd, $\frac{1}{16}$ -24NF (Willys only). | ea | 1 |
| H-1 | H101-0215417 | 215417 | | | SCREW, cap, hex-hd, S, cd or zn-pltd, $\frac{1}{16}$ - 24NF-2 x $1\frac{1}{4}$. | ea | 1 |
| H-1 | H001-7025711 | 120214 | | | WASHER, lock, med, S, cd or zn-pltd, $\frac{1}{16}$ in. (Ford only). | ea | 1 |
| | | | WO-A1289 FM-GPW14585 | | CLIP, closed, $\frac{1}{16}$ in., $1\frac{1}{32}$ screw hole (fuel line to front engine plate). | ea | 1 |
| | | 7343086 | WO-A5450 FM-GPW9295 | | CLIP, open $\frac{1}{16}$ in., $\frac{1}{32}$ screw hole (fuel line to floor pan front cross sill (1); to rear cross sill (2); to fender splasher (1); to dash (1)). | ea | 5 |
| G-9 | G503-0139920 | | WO-A1325 FM-GPW9288 FO-HA8031 | | CONNECTION, flexible, fuel line----- | ea | 1 |
| | 3320-GPW9627A | | WO-387249 FM-GPW9267A FM-GPW9267 | | CONNECTOR, inverted flared tube, br, $\frac{1}{16}$ in. (fuel strainer). | ea | 1 |
| H-6 | H006-0260850 | 137422 | | | ELBOW, flared tube, inverted, 90 deg, br, $\frac{1}{16}$ in. tube, $\frac{1}{8}$ in. male pipe end (w/o nut) (fuel pump inlet and outlet). | ea | 2 |
| | | | WO-A15596 FM-GPW9269 | | ELBOW, flexible connection to fuel pump (used w/fuel TANK WO-A15507, FM-GPW9002C). | ea | 1 |
| H-6 | H006-0260430 | 114633 | | | ELBOW, tube, compression, ball sleeve, 90 deg, br, $\frac{1}{16}$ in. tube, $\frac{1}{2}$ in male pipe end (w/o nut or sleeve) (fuel strainer). | ea | 1 |
| | G503-7368272 | 7368272 | WO-A6424 FM-GPW9034A | 03-4 | EXTENSION, fuel tank filler neck----- | ea | 1 |
| G-9 | G503-0194025 | | WO-A1293 FM-GPW9276 | 03-4 | GASKET, fuel gage (cork, $1\frac{1}{8}$ ID, x $2\frac{1}{2}$ OD x $\frac{1}{2}$ thk). | ea | 1 |
| | G503-7743730 | 7743730 | WO-A1275 FM-GPW9035B | | GASKET, fuel tank cap (for CAP WO-A1254)--- | ea | 1 |
| | G503-0407836 | | WO-A1368 FM-GPW9289 | 01-1 | LINE, flexible connection to fuel pump, assy----- | ea | 1 |
| G-9 | 3320-GPW9282 | | WO-A1367 FM-GPW9282 | | LINE, fuel filter to flexible connection, assy (for vehicles w/fuel strainer on dash). | ea | 1 |
| M-5 | 3320-GPW9369 | | WO-A1369 FM-GPW9369 | 01-1 05-1, 2 | LINE, fuel pump to carburetor, assy----- | ea | 1 |
| G-9 | 3320-GPW9237 | | WO-A1366 FM-GPW9237 | | LINE, fuel tank to filter ($\frac{1}{16}$ OD, $73\frac{1}{2}$ long) (for vehicles w/fuel strainer on dash). | ea | 1 |
| G-9 | 3320-GPW9237B | | WO-A15598 FM-GPW9237B | | LINE, fuel tank to flexible connection ($\frac{1}{16}$ OD, $51\frac{1}{16}$ long) (for vehicles w/fuel TANK WO- 15507, FM-GPW9003C). | ea | 1 |

| (1) NOTE SYMBOL | (2) STOCK NO. | (3) ORDNANCE PART NO. | (4) MFR'S PART NO. | (5) FIGURE NO. | (6) NOMENCLATURE | (7) UNIT OF MEAS- URE | (8) QUAN- TITY PER UNIT ASSEM- BLY |
|---------------------------------------------------|------------------------------|-----------------------------|----------------------------------------------------|-------------------|-----------------------------------------------------------------------------------------------------------------------------------------------------------------------------------------|-----------------------------------|------------------------------------------------------|
| GROUP 03—FUEL SYSTEM—Continued | | | | | | | |
| 0306—FUEL TANK, LINES, AND GAGES—Continued | | | | | | | |
| H-6 G-9 | H106-0117244 3320-GPW9211 | 117244 | WO-A3056 FM-GPW1111323 | 03-4 03-4 | NECK, fuel tank well drain hole..... PLUG, pipe, sq-hd, S, cd or zn-pltd, ¼ in..... PROTECTOR, fuel gage..... | ea ea ea | 2 1 1 |
| H-1 | H001-4135745 | 115120 | WO-A2930 FM-GPW1140474 | | SHIELD, fuel tank, driver's seat to rear floor..... | ea | 1 |
| H-1 | H101-0119860 | 119860 | | | NUT, mach screw, hex, S, phos-ctd, ¼-20NC-2. | ea | 3 |
| H-1 | H001-7025785 | 115109 | | | SCREW, cap, hex-hd, S, phos-ctd, ¼-20NC-3 x ½. | ea | 3 |
| H-1 | H001-7043685 | 118773 | | | WASHER, lock, med, S, phos-ctd, ¼ in..... | ea | 3 |
| | G503-7368273 | 7368273 | WO-A1472 FM-GPW9095 | 03-4 | WASHER, plain, SAE std, S, phos-ctd, ¼ in..... STRAP, hold-down, fuel tank, inner, assy..... | ea ea | 3 2 |
| | G503-7368274 | 7368274 | WO-A1477 FM-GPW9057 | 03-4 | STRAP, hold-down, fuel tank, outer, assy..... | ea | 2 |
| H-1 | H001-4167561 | 120368 | | 03-4 | NUT, hex, light, s-fin, S, cd or zn-pltd, ⅝-24NF-2. | ea | 2 |
| H-1 | H001-4057561 | 107822 | | 03-4 | NUT, jam, stamped, hex, light, 9-notch, S, cd or zn-pltd, ⅝-24NF (Willys only). | ea | 2 |
| H-1 | H101-0215417 | 215417 | | 03-4 | SCREW, cap, hex-hd, S, cd or zn-pltd, ⅝-24NF-2 x 1¼. | ea | 2 |
| H-1 | H001-7025711 | 120214 | | | WASHER, lock, med, S, cd or zn-pltd, ⅝ in (Ford only). | ea | 2 |
| | G503-7368275 | 7368275 | WO-A1221 FM-GPW9002A WO-A6618 FM-GPW9002B | 03-4 18-2 | TANK, fuel, assy (Used on vehicles up to Willys Serial No. 174738). TANK, fuel, assy (Used on vehicles beginning with Willys serial No. 174739) (Superseded by TANK assy WO-A15507). | ea | 1 |
| | | | WO-A6897 FM-GPW9001 | | TANK, fuel, w/EXTENSION and CAP, assy (Used on vehicles up to Willys Serial No. 174738). | ea | 1 |
| G-9 | 3320-GPW9002C | | WO-A15507 FM-GPW9002C | | TANK, fuel, w/STRAINER, assy..... | ea | 1 |

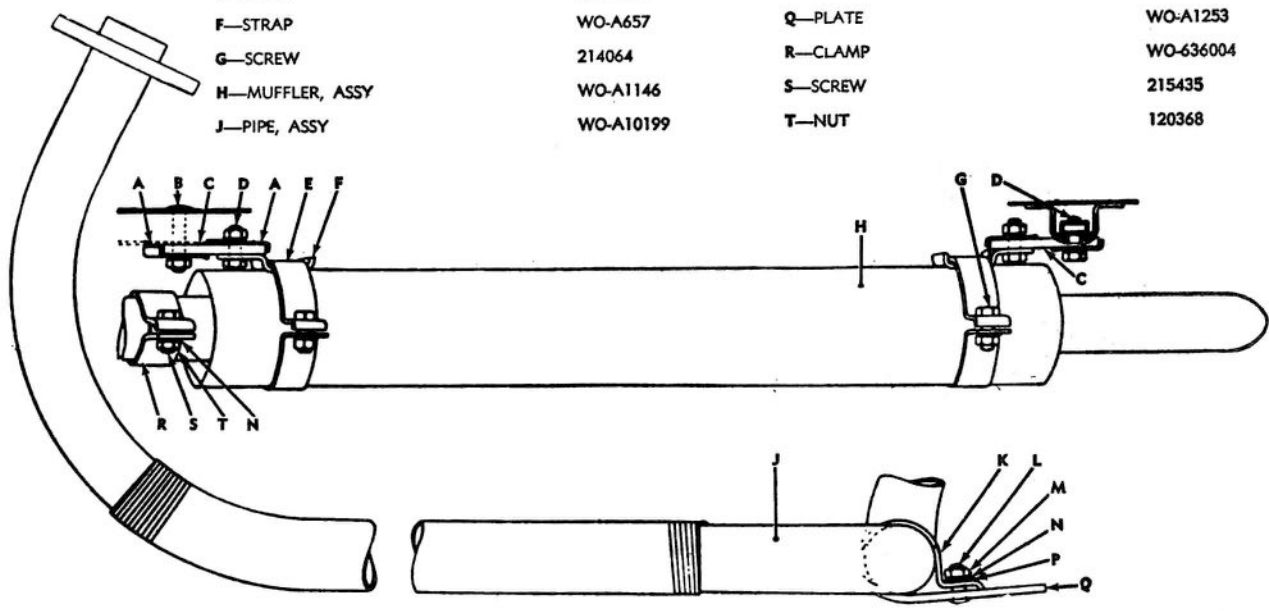
| | | | | | | | |
|-----|--------------|---------|---------------|------|-----------------------------------------------------|----|---|
| | G503-0194063 | | AL-9979A | | UNIT, sending, fuel level, assy (Superseded by | ea | 1 |
| | G503-0194063 | | FM-GPW9275 | | UNIT WO-A1292, FM-GPW9275A). | ea | 1 |
| | | | WO-A1292 | 03-4 | UNIT, sending, fuel level assy----- | ea | 1 |
| | | | FM-GPW9275A | 06-9 | | | |
| | | | AL-9979A | | | | |
| H-1 | H101-0178460 | 178460 | | 03-4 | SCREW, ext-teeth, lockwasher, rd-hd, header- | ea | 5 |
| | | | WO-A3497 | | pt, S, cd or zn-pltd, No. 8-32NC-2 x 3/8. | | |
| | | | FM-GPW1111324 | | WELL, fuel tank drain (in front floor pan)----- | ea | 1 |
| | | | | | 0309-FUEL FILTER | | |
| G-9 | G085-3005380 | B246288 | AC-1504117 | 03-5 | BOWL----- | ea | 1 |
| | | | WO-A1263 | | | | |
| | | | FM-GPW9162 | | | | |
| H-6 | H106-0119922 | 119922 | | 03-5 | BUSHING, pipe, shoulder, S, glvd, 1/4 x 3/8 (filter | ea | 2 |
| | | | | | inlet and outlet). | | |
| | | | AC-1595223 | | CAP, dust----- | ea | 2 |
| G-9 | G085-3001540 | C116902 | AC-1504212 | 03-5 | COVER, mounting----- | ea | 1 |
| | | | WO-A1258 | | | | |
| | | | FM-GPW9149 | | | | |
| H-6 | H006-0265105 | 120499 | | | ELBOW, pipe, street, 90 deg, br, 1/4 in----- | ea | 1 |
| G-9 | G508-7703774 | 7703774 | AC-1595823 | 03-5 | ELEMENT, assy (for FILTERS AC-1595235 | ea | 1 |
| | | | WO-1261 | | and AC-1595048). | | |
| | | | FM-GPW9140 | | | | |
| | | | FM-GPW9140A | | | | |
| G-9 | G508-7703774 | 7703774 | AC-1595831 | | ELEMENT, assy for FILTER AC-1595848)----- | ea | 1 |
| G-9 | G503-0183053 | | AC-1595235 | | FILTER, fuel, assy (Superseded by FILTER AC- | ea | 1 |
| | | | WO-A1255 | | 1595048). | | |
| | | | FM-GPW9155 | | | | |
| | | | FM-GPW9155A | | | | |
| | G503-7703977 | 7703977 | AC-1595848 | 05-2 | FILTER, fuel, assy (Superseded by FILTER AC- | ea | 1 |
| | | | WO-A7850 | | 1595048). | | |
| | | | FM-GPW9155B | | | | |
| | | | AC-1595048 | | FILTER, fuel, assy----- | ea | 1 |
| H-1 | H001-4027541 | 225831 | | | NUT, hex, reg, s-fin, S, cd or zn-pltd, 3/8- | ea | 2 |
| | | | | | 24NF-2. | | |
| H-1 | H001-5421261 | 120647 | | | SCREW, cap, hex-hd, S, cd or zn-pltd, 3/8- | ea | 2 |
| | | | | | 24NF-3 x 1. | | |
| H-1 | H001-7025741 | 120382 | | | WASHER, lock, med, S, cd or zn-pltd, 3/8 in-- | ea | 2 |
| H-1 | H001-7043741 | 120394 | | | WASHER, plain, SAE std, S, cd or zn-pltd, | ea | 2 |
| | | | | | 3/8 in. | | |
| | G503-7743726 | 7743726 | AC-1504486 | | FILTER, fuel, w/bleed VALVE, assy----- | ea | 1 |
| | | | | | Consists of | | |
| H-6 | H106-0119922 | 119922 | | | 2 BUSHING. | | |
| H-6 | H006-0265105 | 120499 | | | 1 ELBOW. | | |
| | | | AC-1595048 | | 1 FILTER, assy. | | |
| | | | AC-5166140 | | 1 VALVE. | | |

| (1) NOTE SYMBOL | (2) STOCK NO. | (3) ORDNANCE PART NO. | (4) MFR'S PART NO. | (5) FIGURE NO. | (6) NOMENCLATURE | (7) UNIT OF MEAS- URE | (8) QUAN- TITY PER UNIT ASSEM- BLY |
|------------------------------------------------------------|------------------|-----------------------------|----------------------------------------------------|-------------------|---------------------------------------------------------------------|-----------------------------------|------------------------------------------------------|
| GROUP 03—FUEL SYSTEM—Continued | | | | | | | |
| 0309—FUEL FILTER—Continued | | | | | | | |
| G-9 | G085-3002280 | A291725 | AC-853558 WO-A1259 FM-GPW9160 | 03-5 | GASKET, bowl..... | ea | 1 |
| G-9 | G085-3002320 | A291727 | AC-853562 WO-A1257 FM-GPW9184 | 03-5 | GASKET, bowl to cover screw..... | ea | 1 |
| G-9 | G085-3002300 | A291726 | AC-853572 WO-A1260 FM-GPW9186 | 03-5 | GASKET, element..... | ea | 1 |
| H-6 | H006-0283195 | 127951 | ----- | 03-5 | PLUG, pipe, hex-hd, br, ¼ in. (bowl drain)..... | ea | 1 |
| H-6 | H006-0283568 | 103866 | ----- | 03-5 | PLUG, pipe, sq-hd, CI, ¼ in. (filter holes)..... | ea | 2 |
| G-9 | G501-5291728 | A291728 | AC-853634 WO-A1256 FM-GPW9183 | 03-5 | SCREW, bowl to cover..... | ea | 1 |
| G-9 | G085-3005780 | A291729 | AC-1504118 WO-A1262 FM-GPW9182 | 03-5 | SPRING, retaining, element (for FILTERS AC-1595235 and AC-1595848). | ea | 1 |
| G-9 | G501-7002108 | 7002108 | AC-5570232 AC-5166140 | ----- | SPRING, retaining, element (for FILTER AC-1595048). | ea | 1 |
| | | | | | | ----- | 1 |
| 0312—ACCELERATOR, HAND THROTTLE, AND CHOKE CONTROLS | | | | | | | |
| G-9 | 3320-GPW9752 | ----- | WO-633013 FM-GPW9752 WO-639607 FM-GPW9728 | 03-6 | BLOCK, adjusting, accelerator throttle rod..... | ea | 1 |
| | | | | 03-6 | BRACKET, accelerator cross shaft..... | ea | 1 |
| H-1 | H001-4167525 | 115728 | ----- | ----- | NUT, hex, light, s-fin, S, phos-ctd, ¼-28NF-2. | ea | 2 |
| H-1 | H101-0144532 | 144532 | ----- | ----- | STUD, S, cd, or zn-pltd, ¼-20NC (¾) x ¼-28NF-2 (¾) x ¾. | ea | 2 |
| H-1 | H001-7025685 | 115109 | ----- | ----- | WASHER, lock, med, S, phos-ctd, ¼ in. | ea | 2 |
| | | | | ----- | WASHER, plain, S, 2¼ ID (at both ends of cross shaft). | ea | 2 |
| | | | WO-52768 FM-356305S | ----- | ----- | ----- | ----- |

| | | | | | | | |
|-----|---------------|---------|--------------------------|-------|------------------------------------------------------------------------------------------|----|---|
| | G503-7368258 | 7368258 | WO-639610 FM-GPW9745 | 03-6 | CLIP, throttle rod retracting spring (on throttle rod). | ea | 1 |
| H-1 | H001-4135661 | 120361 | ----- | ----- | NUT, mach screw, hex, S, ed or zn-pltd, No. 10-24NC-2. | ea | 1 |
| H-1 | H001-0811025 | 103361 | ----- | ----- | PIN, cotter, split, S, $\frac{1}{16}$ x $\frac{1}{2}$. | ea | 2 |
| H-1 | H001-7043621 | 120391 | ----- | ----- | WASHER, plain, SAE std, S, ed or zn-pltd, No. 10. | ea | 2 |
| | G503-7368257 | 7368257 | WO-A1173 FM-GPW9751 | 01-16 | CLIP, throttle rod retracting spring (under carburetor attaching stud nut). | ea | 1 |
| G-9 | 3320-GPW9731B | ----- | WO-651298 FM-GPW9731B | 03-6 | CONNECTION, accelerator pedal | ea | 1 |
| G-9 | 3320-GPW9700 | ----- | WO-A1301 FM-GPW9700 | 03-6 | CONTROL, choke, assy (Superseded by CONTROL WO-A7517, FM-GPW9775B). | ea | 2 |
| | G503-7704013 | 7704013 | WO-A5106 FM-GPW9775 | 03-6 | CONTROL, throttle, assy (Superseded by CONTROL WO-A7517, FM-GPW9775B). | ea | 2 |
| G-9 | 3320-GPW9775B | ----- | WO-A7517 FM-GPW9775B | 18-2 | CONTROL, throttle or choke, assy (Includes CASING, KNOB, PLUNGER, and WIRE). | ea | 2 |
| | | | WO-650482 FM-GPW9711 | 03-6 | HINGE, accelerator pedal (female) | ea | 1 |
| H-1 | H001-4135661 | 120361 | ----- | ----- | NUT, mach screw, hex, S, ed or zn-pltd, No. 10-24NC-2. | ea | 2 |
| H-1 | H101-0120687 | 120687 | ----- | ----- | SCREW, mach, fil-hd, S, ed or zn-pltd, No. 10-24NC-2 x $\frac{1}{2}$. | ea | 2 |
| H-1 | H001-7025621 | 120217 | ----- | ----- | WASHER, lock, med, S, ed or zn-pltd, No. 10. | ea | 2 |
| G-9 | 3320-GPW9778 | ----- | WO-A1307 WO-A1308 | ----- | KNOB, throttle or choke control, w/PLUNGER and WIRE, assy (Superseded by KNOB WO-A7518). | ea | 2 |
| G-9 | 3320-GPW9778 | ----- | WO-A7518 FM-GPW9778 | 03-6 | KNOB, throttle and choke control, w/PLUNGER and WIRE, assy. | ea | 2 |
| G-9 | 3320-GPW9726 | ----- | WO-A1910 FM-GPW9726 | ----- | LEVER, accelerator cross shaft, w/BRACKET, assy. | ea | 1 |
| G-9 | 3320-GPW9727 | ----- | WO-A1174 FM-GPW9727 | ----- | LINK, connecting, accelerator pedal | ea | 1 |
| G-9 | 3320-GPW9719 | ----- | WO-A6710 FM-GPW9719 | 03-6 | LINK, connecting, accelerator pedal (Willys only) | ea | 1 |
| H-1 | H001-0811026 | 107761 | ----- | ----- | PIN, cotter, split, S, $\frac{1}{16}$ x $\frac{3}{8}$. | ea | 1 |
| H-1 | H001-7043681 | 120392 | ----- | ----- | WASHER, plain, SAE std, S, ed or zn-pltd, $\frac{1}{4}$ in. | ea | 1 |
| G-9 | 3320-GPW9735A | ----- | FM-GPW9735A | ----- | PEDAL, accelerator, assy (Ford) (Superseded by PEDAL WO-A6851, FM-GPW9735B). | ea | 1 |
| G-9 | 3320-GPW9735A | ----- | WO-A1083 | 03-6 | PEDAL, accelerator, assy (Willys) (Superseded by PEDAL, WO 640720). | ea | 1 |
| G-9 | 3320-GPW9735B | ----- | WO-A6851 FM-GPW9735B | 18-2 | PEDAL, accelerator, w/HINGE and LINK, assy (Ford). | ea | 1 |

| (1) NOTE SYMBOL | (2) STOCK NO. | (3) ORDNANCE PART NO. | (4) MFR'S PART NO. | (5) FIGURE NO. | (6) NOMENCLATURE | (7) UNIT OF MEAS- URE | (8) QUAN- TITY PER UNIT ASSEM- BLY |
|-----------------------|------------------|-----------------------------|-----------------------|-------------------|----------------------------------------------------------------------------|-----------------------------------|------------------------------------------------------|
| | | | | | GROUP 03—FUEL SYSTEM—Continued | | |
| | | | | | 0312—ACCELERATOR, HAND THROTTLE, AND CHOKE CON- TROLS—Continued | | |
| | G503-7743757 | 7743757 | WO-640720 | ----- | PEDAL, accelerator, w/HINGE and LINK, assy (Willys). | ea | 1 |
| H-1 | H001-4135661 | 120361 | ----- | ----- | NUT, mach screw, hex, S, cd or zn-pltd, No. 10-24NC-2. | ea | 2 |
| H-1 | H101-0123854 | 123854 | ----- | ----- | SCREW, mach, fl-hd, S, cd or zn-pltd, No. 10-24NC-2 x 1/2. | ea | 2 |
| H-1 | H001-7025621 | 120217 | ----- | ----- | WASHER, lock, med, S, cd or zn-pltd, No. 10. | ea | 2 |
| | G503-7368259 | 7368259 | WO-A1225 | 03-6 | REST, foot, accelerator----- | ea | 1 |
| | | | FM-GPW9716 | 18-2 | | | |
| H-1 | H001-4185561 | 124920 | ----- | ----- | NUT, jam, hex, light, s-fin, S, cd or zn-pltd, 5/16-24NF-2. | ea | 1 |
| G-9 | 3320-GPW9742 | ----- | WO-A1273 | 03-6 | ROD, throttle (Superseded by ROD WO-A1175, FM-GPW9742). | ea | 1 |
| G-9 | 3320-GPW9742 | ----- | WO-A1175 | ----- | ROD, throttle----- | ea | 1 |
| | | | FM-GPW9742 | | | | |
| H-1 | H001-0811026 | 107761 | ----- | ----- | PIN, cotter, split, S, 1/16 x 3/8----- | ea | 2 |
| G-9 | 3320-GPW9730 | ----- | WO-A1172 | ----- | SHAFT, cross, accelerator, assy----- | ea | 1 |
| | | | FM-GPW9730 | | | | |
| G-9 | 3320-GPW9739 | ----- | WO-A1243 | 03-6 | SHAFT, cross, accelerator, w/LEVER, assy----- | ea | 1 |
| | | | FM-GPW9739 | | | | |
| G-9 | 9680-A6853 | ----- | WO-A6853 | ----- | SOCKET, accelerator pedal link----- | ea | 1 |
| G-9 | 3320-GPW9737 | ----- | WO-632174 | ----- | SPRING, accelerator cross shaft----- | ea | 1 |
| | | | FM-GPW9737 | | | | |
| G-9 | 3320-GPW9795 | ----- | WO-650483 | ----- | SPRING, accelerator pedal hinge----- | ea | 1 |
| | | | FM-GPW9795 | | | | |
| G-9 | 3320-GPW9799 | ----- | WO-633011 | 03-6 | SPRING, retracting, accelerator----- | ea | 1 |
| | | | FM-GPW9799 | 05-1 | | | |
| G-9 | 3320-GPW11474 | ----- | WO-372438 | 03-6 | STOP, throttle wire----- | ea | 1 |
| | | | FM-GPW11474 | | | | |
| G-9 | 3320-GPW11495 | ----- | WO-A8834 | ----- | STOP, throttle wire, w/SCREW, assy----- | ea | 1 |
| | | | FM-GPW11495 | | | | |

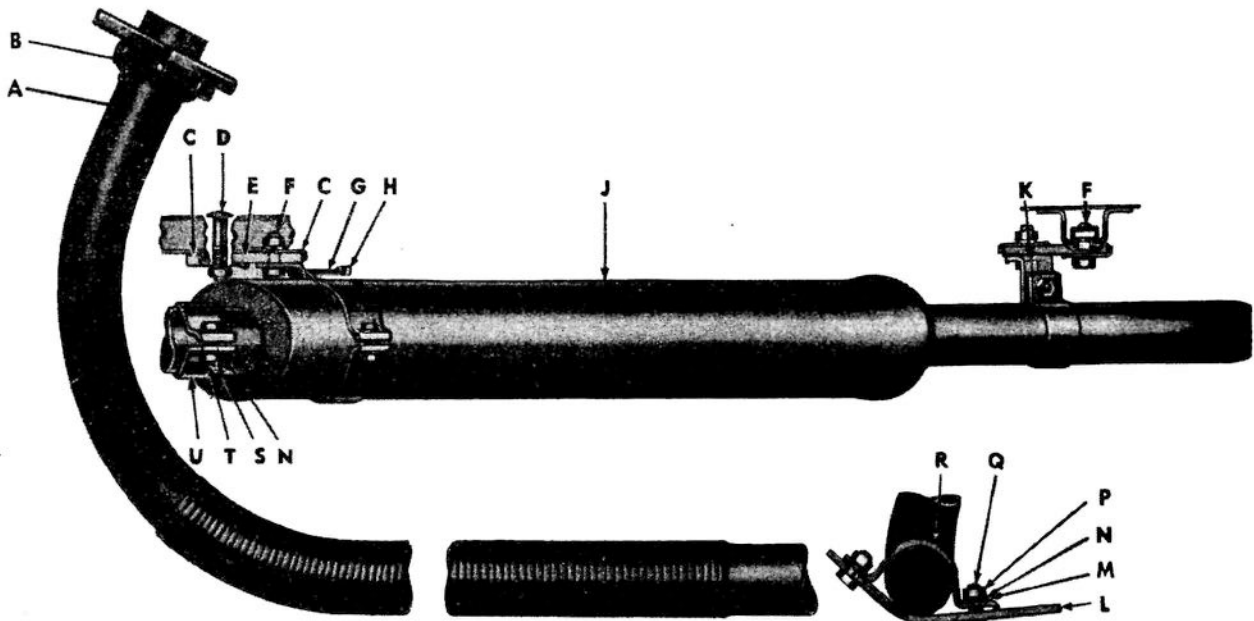
| KEY ITEM | PART NO. | KEY ITEM | PART NO. |
|-----------------|-----------|----------|-----------|
| A—PLATE | WO-638058 | K—CLAMP | WO-A1300 |
| B—BOLT | 548021 | L—BOLT | 126353 |
| C—INSULATOR | WO-A658 | M—NUT | 118614 |
| D—SCREW | 213908 | N—WASHER | 120393 |
| E—CLAMP | WO-A655 | P—WASHER | 120214 |
| F—STRAP | WO-A657 | Q—PLATE | WO-A1253 |
| G—SCREW | 214064 | R—CLAMP | WO-636004 |
| H—MUFFLER, ASSY | WO-A1146 | S—SCREW | 215435 |
| J—PIPE, ASSY | WO-A10199 | T—NUT | 120368 |



ALL PARTS LISTED IN GROUP 0401.

RA PD 354938

Figure 04-1. Exhaust system (round type muffler).



KEY ITEM
 A—PIPE, ASSY
 B—FLANGE
 C—PLATE
 D—BOLT
 E—INSULATOR
 F—SCREW
 G—CLAMP
 H—STRAP
 J—MUFFLER, ASSY
 K—CLAMP
 U—CLAMP
 T—SCREW
 S—NUT
 N—WASHER

PART NO.
 WO-A8101
 WO-630526
 WO-638058
 548021
 WO-A658
 213908
 WO-A5753
 WO-A657
 WO-A6118
 WO-A6119

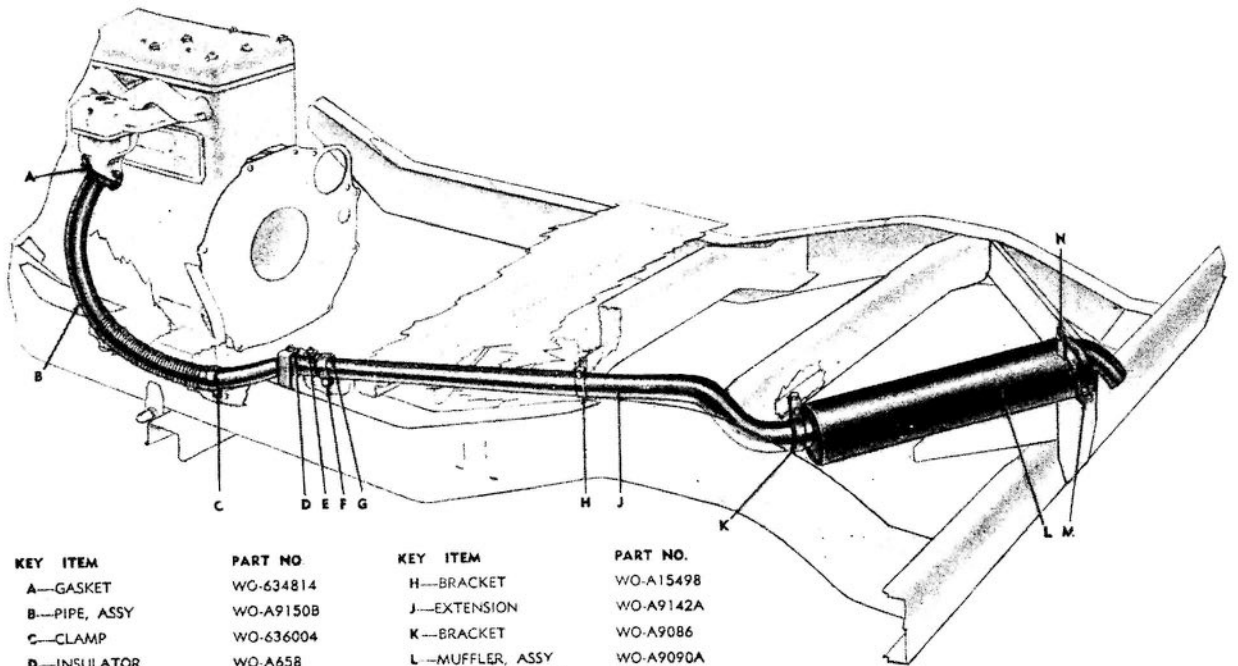
KEY ITEM
 L—PLATE
 M—WASHER
 N—WASHER
 P—NUT
 Q—BOLT
 R—CLAMP
 S—NUT
 U—CLAMP

PART NO.
 WO-A1253
 120214
 120393
 118614
 126353
 WO-A1300
 120368
 215435
 WO-636004

ALL PARTS LISTED IN GROUP 0401.

RA PD 342252G

Figure 04-2. Exhaust system (oval type muffler).



| KEY ITEM | PART NO |
|--------------|-----------|
| A—GASKET | WO-634814 |
| B—PIPE, ASSY | WO-A9150B |
| C—CLAMP | WO-636004 |
| D—INSULATOR | WO-A658 |
| E—PLATE | WO-638058 |
| F—CLAMP | WO-A7082 |
| G—STRAP | WO-A657 |

| KEY ITEM | PART NO. |
|-----------------|-----------|
| H—BRACKET | WO-A15498 |
| J—EXTENSION | WO-A9142A |
| K—BRACKET | WO-A9086 |
| L—MUFFLER, ASSY | WO-A9090A |
| M—CLAMP | WO-A5753 |
| N—BRACKET | WO-A9084 |

ALL PARTS LISTED IN GROUP 0401.1

RA PD 355084

Figure 04-3. Exhaust system (deep mud type).

| (1) NOTE SYMBOL | (2) STOCK NO. | (3) ORDNANCE PART NO. | (4) MFR'S PART NO. | (5) FIGURE NO. | (6) NOMENCLATURE | (7) UNIT OF MEAS- URE | (8) QUAN- TITY PER UNIT ASSEM- BLY |
|----------------------------------------------------------------|------------------|-----------------------------|--------------------------------------|-------------------|-----------------------------------------------------------------------|-----------------------------------|------------------------------------------------------|
| GROUP 04—EXHAUST SYSTEM | | | | | | | |
| 0401—MUFFLER AND EXHAUST PIPE (ROUND AND OVAL TYPE) | | | | | | | |
| G-9 | 3320-GPW5251 | ----- | WO-A1300 FM-GPW5251 | 04-1, 2 | CLAMP, exhaust pipe (to frame)----- | ea | 1 |
| H-1 | H001-3015371 | 126353 | ----- | 04-1, 2 | BOLT, carriage, rd-hd, sq-nk, S, cd or zn-pltd, 5/16-18NC-2 x 7/8. | ea | 1 |
| H-1 | H001-4167545 | 118614 | ----- | 04-1, 2 | NUT, hex, light, s-fin, S, phos-ctd; 5/16-18NC-2 | ea | 2 |
| H-1 | ----- | 214645 | ----- | ----- | SCREW, cap, hex-hd, S, phos-ctd, 5/16-18NC-2 x 3/4. | ea | 1 |
| H-1 | H001-7025711 | 120214 | ----- | 04-1, 2 | WASHER, lock, med, S, cd or zn-pltd, 5/16 in.. | ea | 2 |
| H-1 | H001-7043711 | 120393 | ----- | 04-1, 2 | WASHER, plain, SAE std, S, cd or zn-pltd, 5/16 in. | ea | 2 |
| G-9 | 3320-GPW5270 | ----- | WO-636004 FM-GPW5270 | 04-1, 2 | CLAMP, exhaust pipe (to muffler)----- | ea | 1 |
| H-1 | H001-4167561 | 120368 | ----- | 04-1, 2 | NUT, hex, light, s-fin, S, cd or zn-pltd, 5/16- 24NF-2. | ea | 1 |
| H-1 | H001-0215435 | 215435 | ----- | 04-1, 2 | SCREW, cap, hex-hd, S, cd or zn-pltd, 5/16- 24NF-2 x 1 1/8. | ea | 1 |
| H-1 | H001-7025711 | 120214 | ----- | 04-1, 2 | WASHER, lock, med, S, cd or zn-pltd, 5/16 in.. | ea | 1 |
| H-1 | H101-0118665 | 118665 | ----- | ----- | WASHER, plain, US std, S, phos-ctd, 5/16 in.. | ea | 1 |
| G-9 | 3320-GPW5264B | ----- | WO-A5753 FM-GPW5264B | 04-2 | CLAMP, support, muffler (oval type muffler)----- | ea | 1 |
| G-9 | 3320-GPW5264A | ----- | WO-A655 FM-GPW5264 FM-GPW5264A | 04-1 | CLAMP, support, muffler (round type muffler)---- | ea | 2 |
| H-1 | H001-4167561 | 120368 | ----- | 04-1 | NUT, hex, light, s-fin, S, cd or zn-pltd, 5/16- 24NF-2. | ea | 2 |
| H-1 | H101-0214064 | 214064 | ----- | 04-1 | SCREW, cap, hex-hd, S, phos-ctd, 5/16-24NF-2 x 1 1/2. | ea | 2 |
| H-1 | H001-7025711 | 120214 | ----- | ----- | WASHER, lock, med, S, cd or zn-pltd, 5/16 in.. | ea | 2 |
| G-9 | 3320-GPW5298 | ----- | WO-A6119 FM-GPW5298 | 04-2 | CLAMP, tail pipe (oval type muffler)----- | ea | 1 |
| H-1 | H001-4167561 | 120368 | ----- | ----- | NUT, hex, light, s-fin, S, cd or zn-pltd, 5/16- 24NF-2. | ea | 1 |
| H-1 | H101-0215435 | 215435 | ----- | ----- | SCREW, cap, hex-hd, S, cd or zn-pltd, 5/16- 24NF-2 x 1 1/8. | ea | 1 |
| H-1 | H001-7025711 | 120214 | ----- | ----- | WASHER, lock, med, S, cd or zn-pltd, 5/16 in.. | ea | 1 |

| | | | | | | | |
|-----|---------------|---------|---------------------------------------|---------|--------------------------------------------------------------------------------------------------------------------|----|---|
| H-1 | H101-0118665 | 118665 | | | WASHER, plain, US std. S, phos-ctd, $\frac{1}{16}$ in | ea | 1 |
| G-9 | 3320-GPW5269 | | WO-630526 FM-GPW5269 | 04-2 | FLANGE, exhaust pipe | ea | 1 |
| H-1 | H101-0503155 | 503155 | | | NUT, hex, light, thick, s-fin, S, seez-pruf-thd- ctd, $\frac{3}{8}$ -16NC-2. | ea | 1 |
| H-1 | H101-0122188 | 122188 | | | SCREW, cap, hex-hd, S, cd or zn-pltd, $\frac{3}{8}$ - 16NC-3 x 2 $\frac{1}{4}$. | ea | 1 |
| H-1 | H001-7025745 | 115093 | | | WASHER, lock, med, S, phos-ctd, $\frac{3}{8}$ in | ea | 1 |
| G-9 | 3320-GPW9450 | | WO-634814 FM-GPW9450 | | GASKET, exhaust pipe flange | ea | 1 |
| G-9 | 3320-GPW5283 | | WO-A658 FM-GPW5283 | 04-1, 2 | INSULATOR, muffler support | ea | 2 |
| H-1 | H101-0548021 | 548021 | | 04-1, 2 | BOLT, carriage, rd-hd, sq-nk, S, cd or zn- pltd, w/nut, $\frac{1}{16}$ -18NC-2 x 1 $\frac{3}{4}$. | ea | 1 |
| H-1 | H001-4167561 | 120368 | | 04-1, 2 | NUT, hex, light, s-fin, S, cd or zn-pltd, $\frac{1}{16}$ - 24NF-2. | ea | 3 |
| H-1 | H101-0213908 | 213908 | | 04-1, 2 | SCREW, cap, hex-hd, S, phos-ctd, $\frac{1}{16}$ -24NF-2 x $\frac{3}{8}$. | ea | 2 |
| H-1 | H001-7025711 | 120214 | | 04-1, 2 | WASHER, lock, med, S, cd or zn-pltd, $\frac{1}{16}$ in | ea | 4 |
| | G503-7332019 | 7332019 | WO-A6118 FM-GPW5230B | 04-2 | MUFFLER, exhaust, oval type, assy | ea | 1 |
| | G503-7704110 | 7704110 | WO-A1146 FM-GPW5230 FM-GPW5230A | 04-1 | MUFFLER, exhaust, round type, assy | ea | 1 |
| G-9 | 9680-A8101 | | WO-A8101 | 04-2 | PIPE, exhaust, w/o FLANGE, assy (Willys) (Superseded by PIPE WO-A10199, FM- GPW5246B). | ea | 1 |
| G-9 | 3320-GPW5246 | | WO-A1296 FM-GPW5246 | | PIPE, exhaust, w/ welded on FLANGE, and bond STRAP, assy (Ford) (Superseded by PIPE WO-A10199, FM-GPW5246B). | ea | 1 |
| G-9 | 3320-GPW5246B | | WO-A10199 FM-GPW5246B | 04-1 | PIPE, exhaust, w/welded on FLANGE, assy | ea | 1 |
| H-1 | H001-4165600 | 114547 | | | NUT, hex, light, s-fin, br, $\frac{3}{8}$ -24NF-2 | ea | 1 |
| H-1 | H101-0219432 | 219432 | | 01-16 | NUT, hex, light, thck, S, cd or zn-pltd, $\frac{3}{8}$ -16NC-2. | ea | 1 |
| H-1 | H101-0215547 | 215547 | | | SCREW, cap, hex-hd, S, cd or zn-pltd, $\frac{3}{8}$ - 24NF-2 x 1 $\frac{3}{8}$. | ea | 1 |
| | G503-7734419 | 7734419 | WO-332515 FM-88032S | | STUD, S, $\frac{3}{8}$ -16NC x $\frac{3}{8}$ -24NF-2 x 1 $\frac{3}{8}$ | ea | 1 |
| | G503-7697869 | 7697869 | WO-A1253 FM-GPW5291B | 04-1, 2 | PLATE, skid, exhaust pipe guard (also listed in group 1501). | ea | 1 |
| G-9 | 3320-GPW5274 | | WO-638058 FM-GPW5274 | 04-1, 2 | PLATE, support strap insulator | ea | 4 |
| G-9 | 3320-GPW5262 | | WO-A657 FM-GPW5262 | 04-1, 2 | STRAP, support (muffler clamp) (2 for round type muffler, 1 for oval type muffler). | ea | 2 |

| (1) NOTE SYMBOL | (2) STOCK NO. | (3) ORDNANCE PART NO. | (4) MFR'S PART NO. | (5) FIGURE NO. | (6) NOMENCLATURE | (7) UNIT OF MEAS- URE | (8) QUAN TITY PER UNIT ASSEM BLY |
|--------------------------------------------------------|------------------|-----------------------------|--------------------------|-------------------|------------------------------------------------------------------------------------|-----------------------------------|----------------------------------------------------|
| GROUP 04—EXHAUST SYSTEM—Continued | | | | | | | |
| 0401.1—MUFFLER AND EXHAUST PIPE (DEEP MUD TYPE) | | | | | | | |
| G-9 | 3320-GPW5265 | ----- | WO-A15498 FM-GPW5265 | 04-3 | BRACKET, exhaust pipe extension----- | ea | 1 |
| G-9 | 3320-GPW5253 | ----- | FM-GPW5253 | ----- | BRACKET, muffler front clamp (Ford only)----- | ea | 1 |
| G-9 | 9680-A9086 | ----- | WO-A9086 | 04-3 | BRACKET, muffler front clamp (Willys only)----- | ea | 1 |
| G-9 | 3320-GPW5266 | ----- | WO-A9084 FM-GPW5266 | 04-3 | BRACKET, muffler rear clamp----- | ea | 1 |
| H-1 | H001-4171561 | 121917 | ----- | ----- | NUT, hex, light, s-fin, S, cd or zn-pltd, $\frac{5}{16}$ - 24NF-3. | ea | 3 |
| H-1 | ----- | 503122 | ----- | ----- | NUT, hex, reg, s-fin, S, seez-pruf-thd-ctd, $\frac{5}{16}$ -24NF-2. | ea | 2 |
| H-1 | H001-5419781 | 123473 | ----- | ----- | SCREW, cap, hex-hd, S, cd or zn-pltd, $\frac{5}{16}$ - 24NF-3 x $\frac{5}{8}$. | ea | 3 |
| H-1 | H001-5419861 | 121661 | ----- | ----- | SCREW, cap, hex-hd, S, cd or zn-pltd, $\frac{5}{16}$ - 24NF-3 x 1. | ea | 2 |
| H-1 | H001-7025711 | 120214 | ----- | ----- | WASHER, lock, med, S, cd or zn-pltd, $\frac{5}{16}$ in. | ea | 5 |
| H-1 | H001-7043711 | 120393 | ----- | ----- | WASHER, plain, SAE std, S, cd or zn-pltd, $\frac{5}{16}$ in. | ea | 2 |
| G-9 | 3320-GPW5251B | ----- | WO-A9082 FM-GPW5251B | 04-3 | CLAMP, exhaust pipe extension support strap---- | ea | 1 |
| G-9 | 3320-GPW5270 | ----- | WO-636004 FM-GPW5270 | 04-3 | CLAMP, exhaust pipe (to pipe extension)----- | ea | 1 |
| G-9 | 3320-GPW5264B | ----- | WO-A5753 FM-GPW5264B | 04-3 | CLAMP, support muffler (rear)----- | ea | 1 |
| H-1 | ----- | 503122 | ----- | ----- | NUT, hex, reg, s-fin, S, seez-pruf-thd-ctd, $\frac{5}{16}$ -24NF-2. | ea | 3 |
| H-1 | H001-5419861 | 121661 | ----- | ----- | SCREW, cap, hex-hd, S, cd or zn-pltd, $\frac{5}{16}$ - 24NF-3 x 1. | ea | 3 |
| H-1 | H001-7025711 | 120214 | ----- | ----- | WASHER, lock, med, S, cd or zn-pltd, $\frac{5}{16}$ in. | ea | 3 |
| H-1 | H001-7043711 | 120393 | ----- | ----- | WASHER, plain, SAE std, S, cd or zn-pltd, $\frac{5}{16}$ in. | ea | 3 |
| G-9 | 3320-GPW5245B | ----- | WO-A9142A FM-GPW5245B | 04-3 | EXTENSION, exhaust pipe----- | ea | 1 |
| M-5 | ----- | ----- | WO-634814 | 04-3 | GASKET, exhaust pipe flange----- | ea | 1 |

| | | | | | | | |
|-----|---------------|--------|--------------------------|-------|--------------------------------------------------------------------------|----|---|
| G-9 | 3320-GPW5283 | ----- | WO-A658 FM-GPW5283 | 04-3 | INSULATOR, muffler support (extension pipe) ---- | ea | 1 |
| H-1 | ----- | 503122 | ----- | ----- | NUT, hex, reg, s-fin, S, seaz-pruf-thd-ctd, 5/16-24NF-2. | ea | 2 |
| H-1 | H001-5026421 | 213907 | ----- | ----- | SCREW, cap, hex-hd, S, cd or zn-pltd, 5/16- 24NF-2 x 5/8. | ea | 2 |
| H-1 | H001-7025711 | 120214 | ----- | ----- | WASHER, lock, med, S, cd or zn-pltd, 5/16 in--- | ea | 2 |
| G-9 | 3320-GPW5230C | ----- | WO-A9090A FM-GPW5230C | 04-3 | MUFFLER, exhaust, deep mud type, assy ----- | ea | 1 |
| G-9 | 3320-GPW5233 | ----- | WO-A9150B FM-GPW5233 | 04-3 | PIPE, exhaust, assy (includes FLANGE, flexible CONNECTOR and INSERT). | ea | 1 |
| H-1 | ----- | 503123 | ----- | ----- | NUT, hex, reg, s-fin, S, seaz-pruf-thd-ctd, 3/8- 24NF-2. | ea | 2 |
| H-1 | H101-O215547 | 215547 | ----- | ----- | SCREW, cap, hex-hd, S, cd or zn-pltd, 3/8- 24NF-2 x 1 1/8. | ea | |
| H-1 | ----- | 191992 | ----- | 01-16 | STUD, S, cd or zn-pltd, 3/8-16NC x 3/8-24NF-2 x 1 1/8. | ea | 1 |
| G-9 | 3320-GPW5274 | ----- | WO-638058 FM-GPW5274 | 04-3 | PLATE, exhaust pipe extension insulator----- | ea | 2 |
| G-9 | 3320-GPW5262 | ----- | WO-A657 FM-GPW5262 | 04-3 | STRAP, support (exhaust pipe extension clamp)--- | ea | 1 |

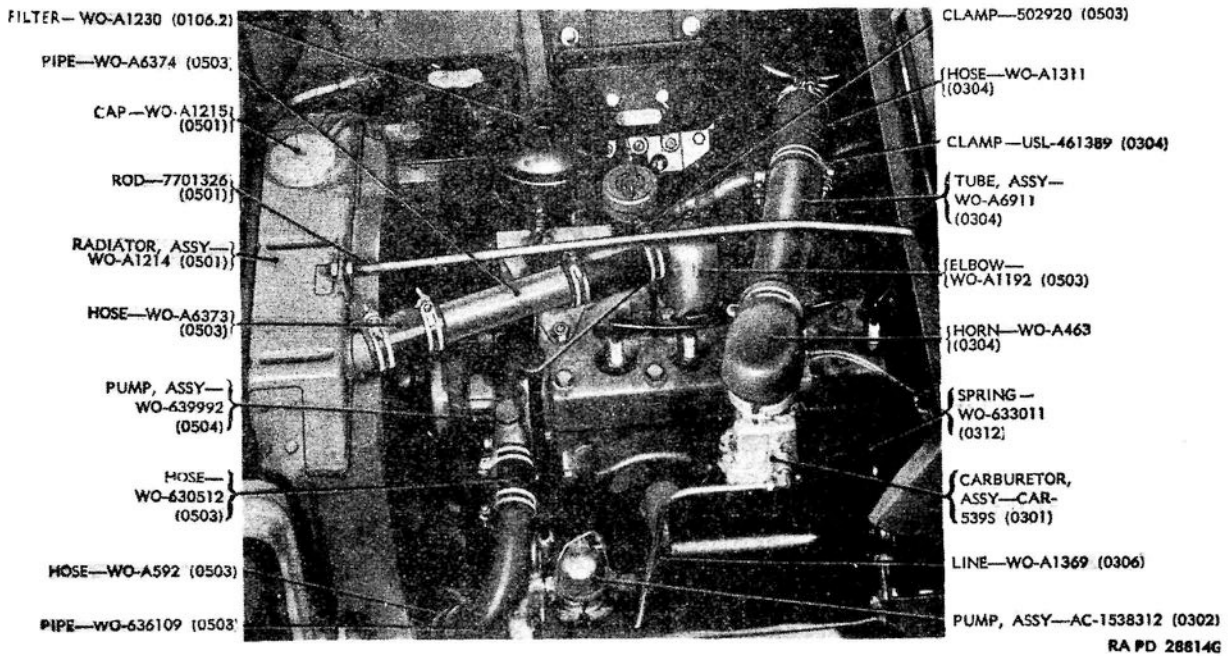


Figure 05-1. Water and air connections.

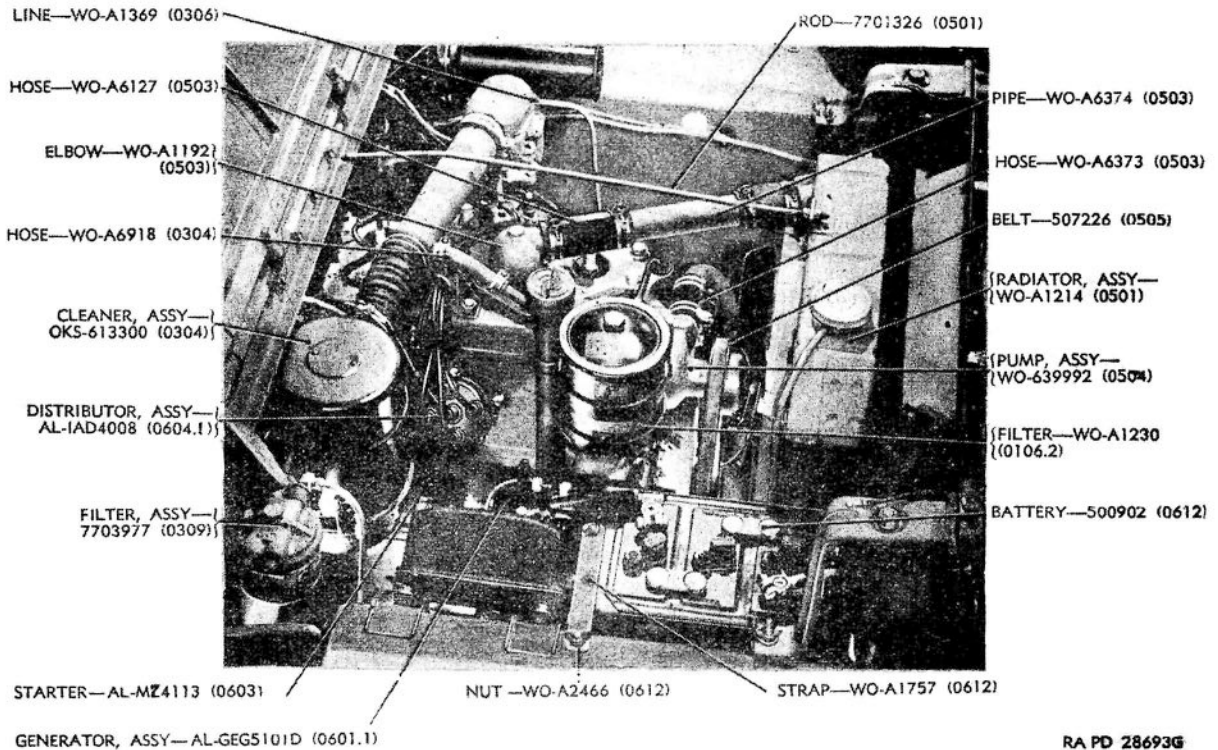


Figure 05-2. Water connection and electrical units.

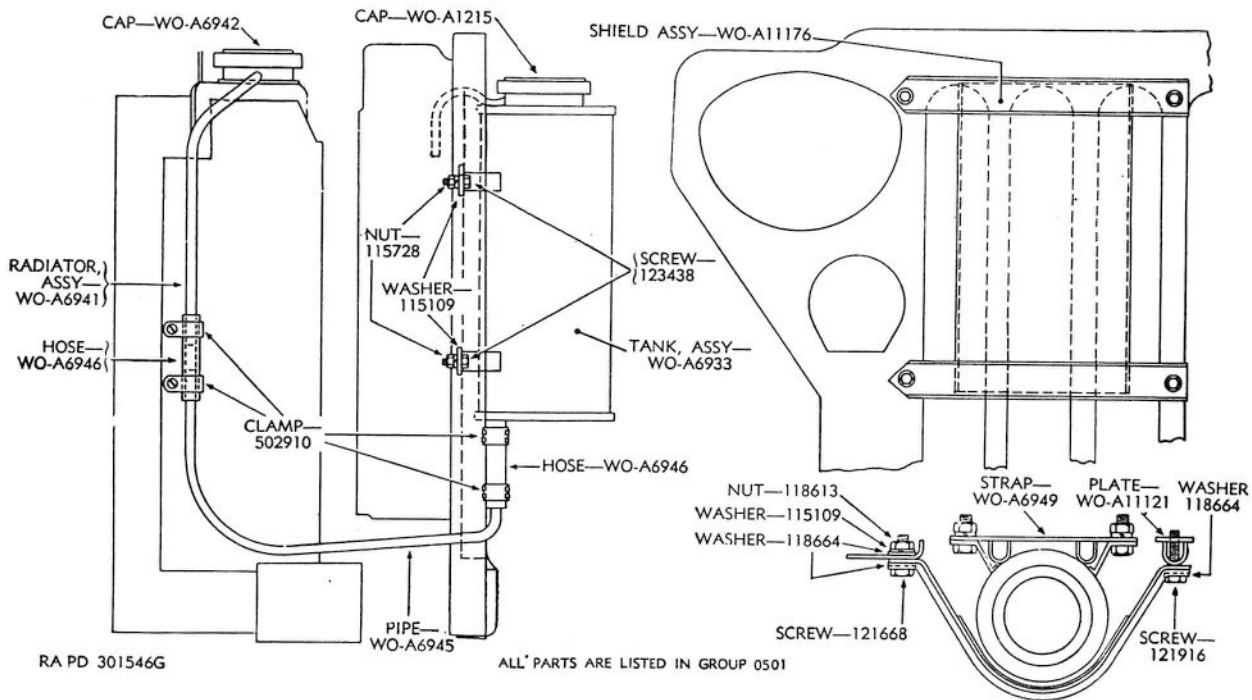
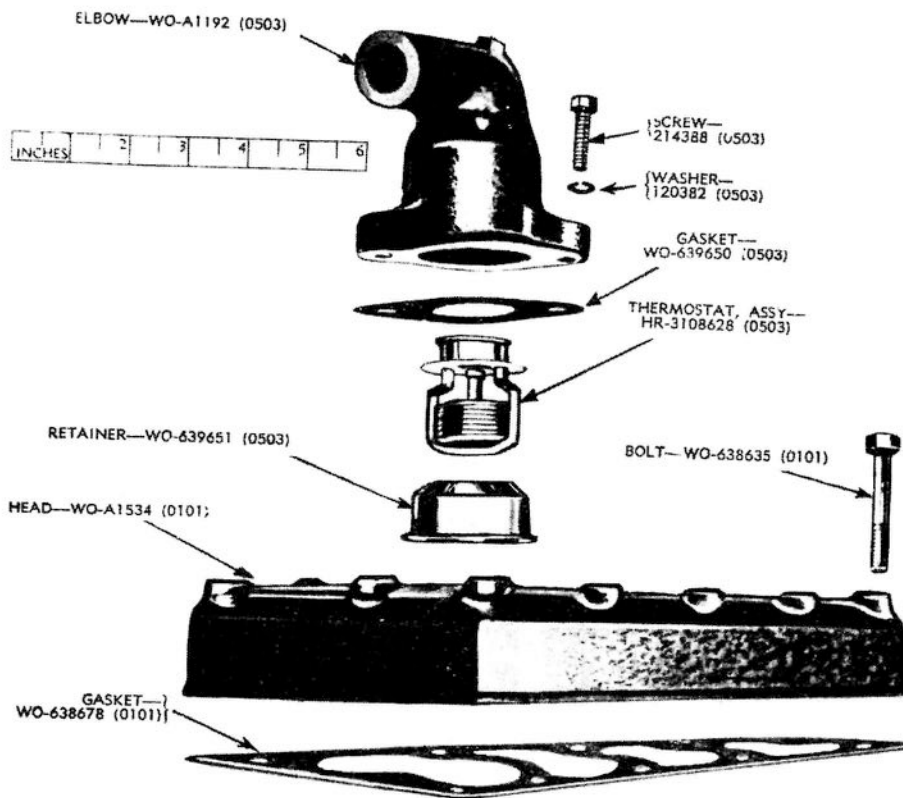
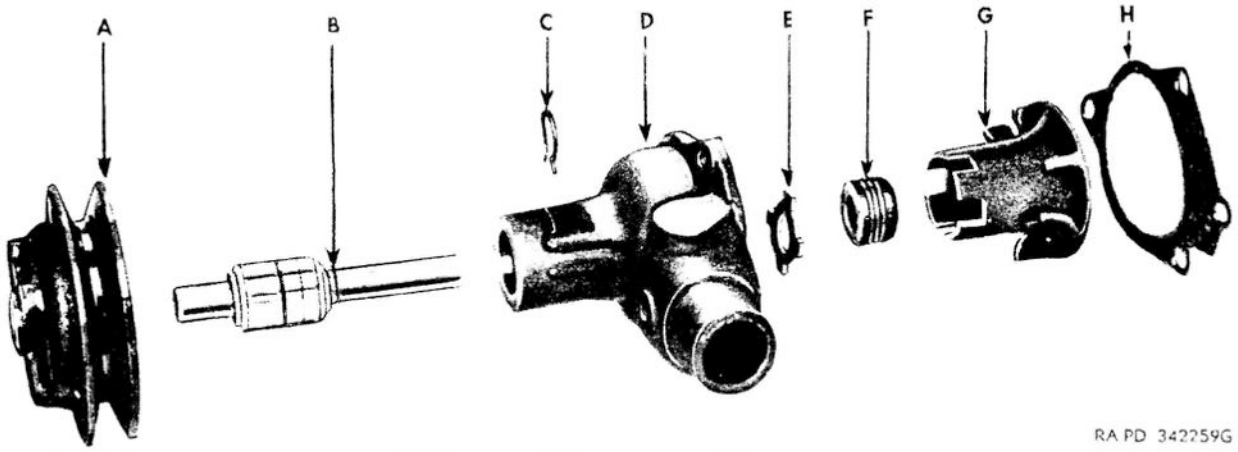


Figure 05-3. Surge tank installation.



RA PD 305236G

Figure 05-4. Thermostat and related parts.



RA PD 342259G

| KEY ITEM | PART NO. | GROUP | KEY ITEM | PART NO. | GROUP |
|---------------------|-----------|-------|------------------|-----------|-------|
| A—PULLEY | WO-636299 | 0505 | E—WASHER | WO-640034 | 0504 |
| B—BEARING, ASSEMBLY | 710151 | 0504 | F—SEAL, ASSEMBLY | WO-640031 | 0504 |
| C—SPRING | WO-636298 | 0504 | G—IMPELLER | WO-639993 | 0504 |
| D—BODY | WO-637052 | 0504 | H—GASKET | WO-637053 | 0504 |

Figure 05-5. Water pump—exploded view.

| (1) NOTE SYMBOL | (2) STOCK NO. | (3) ORDNANCE PART NO. | (4) MFR'S PART NO. | (5) FIGURE NO. | (6) NOMENCLATURE | (7) UNIT OF MEAS- URE | (8) QUAN- TITY PER UNIT ASSEM- BLY |
|-------------------------------------|------------------|-----------------------------|---------------------------------------|-------------------|----------------------------------------------------------------------------------------------|-----------------------------------|------------------------------------------------------|
| GROUP 05—COOLING SYSTEM | | | | | | | |
| 0501—RADIATOR AND SURGE TANK | | | | | | | |
| G-9 | G503-0131549 | 7734710 | WO-A1215 FM-GPW8100A AC-846709 | 05-1, 3 | CAP, filler, assy (optional w/CAP WO-645187) (for RADIATOR WO-A1214 or Surge TANK WO-A6933). | ea | 1 |
| G-9 | 9680-A6942 | | WO-645187 | 05-3 | CAP, filler, assy (optional w/CAP WO-A1215) | ea | 1 |
| H-6 | H106-0103647 | 103647 | WO-A6942 | | CAP, filler, assy (for RADIATOR WO-6941) | ea | 1 |
| G-9 | G501-5262210 | A262210 | WO-A1216 FM-K7129B AC-846732 | | COCK, drain, tee-hdl, br, ¼ in. male pipe end (type C). | ea | 1 |
| G-9 | G501-5262210 | A262210 | WO-A1216 FM-K7129B AC-846732 | | GASKET, filler cap (for CAP WO-A1215) | ea | 1 |
| H-6 | G503-7744328 | 7744328 | WO-A6946 | 05-3 | HOSE, radiator to surge tank pipe | ea | 2 |
| H-6 | H006-0502910 | 502910 | | 05-3 | CLAMP, hose, S, cd or zn-pltd, 5/8 in | ea | 4 |
| G-9 | G503-7697863 | 7697863 | WO-A6945 | 05-3 | PIPE, radiator to surge tank | ea | 1 |
| G-9 | 3320-GPW8005 | | WO-A11121 | 05-3 | PLATE, tapping, surge tank shield | ea | 2 |
| G-9 | 3320-GPW8005 | | WO-A1214 FM-GPW8005 FM-GPW8005A | 05-1, 2 | RADIATOR, w/TANK and SHROUD, assy (Used when Surge Tank is not installed). | ea | 1 |
| G-9 | 9680-A6941 | | WO-A6941 | 05-3 | RADIATOR, w/TANK and SHROUD, assy (Used when Surge Tank is installed). | ea | 1 |
| H-1 | H101-0247245 | 427245 | FM-355762S7 | | BOLT, carriage, rd-hd, sq-nk, S, cd-pltd, 7/16-20NF-2 x 1½. | ea | 2 |
| H-1 | H001-7124761 | 178571 | WO-53027 FM-356314S7 | | NUT, hex, reg, unfin, S, cd or zn-pltd, 7/16-20NF-2. | ea | 4 |
| H-1 | H001-7043771 | 120395 | | | WASHER, lock, int-ext-teeth, S, cd-pltd, 7/16 in. | ea | 2 |
| H-1 | H001-7043771 | 120395 | | | WASHER, plain, SAE std, S, cd or zn-pltd, 7/16 in. | ea | 2 |
| G-9 | G503-7701326 | 7701326 | WO-A1217 FM-GPW8133 | 05-1, 2 | ROD, brace, radiator | ea | 1 |
| H-1 | H001-4167561 | 120368 | | | NUT, hex, light, s-fin, S, cd or zn-pltd, 7/16-24NF-2. | ea | 3 |
| H-1 | H001-7025711 | 120214 | | | WASHER, lock, med, S, cd or zn-pltd, 7/16 in | ea | 2 |
| H-1 | H001-4167505 | 118613 | WO-A11176 | 05-3 | SHIELD, surge tank, assy | ea | 1 |
| H-1 | H101-0121668 | 121668 | | 05-3 | NUT, hex, light, s-fin, S, phos-ctd, ¼-20NC-2 | ea | 2 |
| H-1 | H101-0121668 | 121668 | | 05-3 | SCREW, cap, hex-hd, S, phos-ctd, ¼-20NC-3 x ¾. | ea | 2 |

| (1) NOTE SYMBOL | (2) STOCK NO. | (3) ORDNANCE PART NO. | (4) MFR'S PART NO. | (5) FIGURE NO. | (6) NOMENCLATURE | (7) UNIT OF MEAS- URE | (8) QUAN- TITY PER UNIT ASSEM- BLY |
|-----------------------------------------------|------------------|-----------------------------|-------------------------------------|---------------------|-----------------------------------------------------------|-----------------------------------|------------------------------------------------------|
| GROUP 05—COOLING SYSTEM—Continued | | | | | | | |
| 0501—RADIATOR AND SURGE TANK—Continued | | | | | | | |
| H-1 | H101-0121916 | 121916 | ----- | 05-3 | SCREW, cap, hex-hd, S, phos-ctd, ¼-20NC-3 x 1¼. | ea | 2 |
| H-1 | H001-7025685 | 115109 | ----- | 05-3 | WASHER, lock, med, S, phos-ctd, ¼ in----- | ea | 4 |
| H-1 | H001-7045535 | 118664 | ----- | 05-3 | WASHER, plain, US std, S, phos-ctd, ¼ in--- | ea | 6 |
| G-9 | G503-7701327 | 7701327 | WO-A4413 FM-GPW8125A WO-A6949 | ----- | SHIM, radiator to support bracket----- | ea | 2 |
| H-1 | H001-4167525 | 115728 | ----- | 05-3 | STRAP, mounting, surge tank----- | ea | 2 |
| H-1 | H101-0123438 | 123438 | ----- | 05-3 | NUT, hex, light, s-fin, S, phos-ctd, ¼-28NF-2. | ea | 4 |
| H-1 | H101-0123438 | 123438 | ----- | 05-3 | SCREW, cap, hex-hd, S, phos-ctd, ¼-28NF-3 x ¾. | ea | 4 |
| H-1 | H001-7025685 | 115109 | ----- | 05-3 | WASHER, lock, med, S, phos-ctd, ¼ in----- | ea | 4 |
| | G503-7744983 | 7744983 | WO-A6933 | 05-3 | TANK, surge, assy----- | ea | 1 |
| 0503—WATER LINES AND THERMOSTAT | | | | | | | |
| G-9 | 3320-GPW8250 | ----- | WO-A1192 FM-GPW8250 | 01-4, 05-1, 2, 4 | ELBOW, engine cylinder head water outlet----- | ea | 1 |
| H-1 | H101-0214388 | 214388 | ----- | 05-4 | SCREW, cap, hex-hd, S, cd or zn-pltd, ¾- 16-NC-2 x 1¼. | ea | 3 |
| H-1 | H001-7025741 | 120382 | ----- | 05-4 | WASHER, lock, med, S, cd or zn-pltd, ¾ in--- | ea | 3 |
| M-5 | G503-0194030 | ----- | WO-639650 FM-GPW8255 | 05-4 | GASKET, water outlet elbow (engine cylinder head). | ea | 1 |
| G-9 | G503-0217818 | ----- | WO-A6127 FM-GPW8286 | 05-2 | HOSE, engine water outlet----- | ea | 1 |

| | | | | | | | |
|-----|------------------------------|--------|---------------------------------------|----------------------|------------------------------------------------------------------------------------------------|----|---|
| G-9 | G503-0217822 | | WO-A6373 FM-GPW8285 WO-630512 | 05-1, 2 | HOSE, radiator water inlet | ea | 1 |
| G-9 | 3320-GPW8284 | | WO-A592 FM-GPW8284 | 05-1 | HOSE, radiator water outlet, lower | ea | 1 |
| G-9 | G503-0217822 | | WO-630512 FM-IGT8260 | 05-1 | HOSE, radiator water outlet, upper | ea | 1 |
| H-6 | H006-0502920 G503-0217818 | 502920 | WO-A6127 FM-GPW8286 | 05-1 | CLAMP, hose, S, cd or zn-pltd, 1 $\frac{1}{8}$ in. | ea | 8 |
| | G503-0217817 | | WO-A5164 FM-GPW8260 | | HOSE, thermostat to radiator (Replaces PIPE WO-A6374 and HOSES WO-A6373 and WO- A6127). | ea | 1 |
| G-9 | 3320-GPW8290 | | WO-A6374 FM-GPW8290 | 05-1, 2 | HOSE, water pump to radiator (Replaces PIPE WO-636109 and HOSES WO-A592 and WO- 630512). | ea | 1 |
| G-9 | 3320-GPW8269 | | WO-636109 FM-GPW8269 | 05-1 | PIPE, radiator water inlet | ea | 1 |
| M-5 | 3320-GPW8578 | | WO-639651 FM-GPW8578 | 01-4 | PIPE, radiator water outlet | ea | 1 |
| M-5 | G503-0400093 | | HR-3108628 WO-637646 FM-GPW8575 | 05-4 01-4 05-4 | RETAINER, water control thermostat | ea | 1 |
| | | | | | THERMOSTAT, engine water control, assy. | ea | 1 |

| (1) NOTE SYMBOL | (2) STOCK NO. | (3) ORDNANCE PART NO. | (4) MFR'S PART NO. | (5) FIGURE NO. | (6) NOMENCLATURE | (7) UNIT OF MEAS- URE | (8) QUAN- TITY PER UNIT ASSEM- BLY |
|------------------------------------------|------------------|-----------------------------|----------------------------------------|-------------------|---------------------------------------------------------------------------------|-----------------------------------|------------------------------------------------------|
| GROUP 05-COOLING SYSTEM-Continued | | | | | | | |
| 0504-WATER PUMP | | | | | | | |
| H-12 | H012-0900105 | 710161 | ND-885141 | 01-4 05-5 | BEARING, ball, No. ND-885141 (Includes fan and pump SHAFT). | ea | 1 |
| H-12 | H012-0710103 | 710103 | ND-885141D | | BEARING, ball, No. ND-885141D (Optional w/BEARING 710161). | ea | 1 |
| | | | WO-640032 FM-GPW8548 | | BELLOWS, water seal | ea | 1 |
| G-9 | 3320-GPW8505 | | WO-637052 FM-GPW8505 | 05-5 | BODY | ea | 1 |
| M-5 | G503-0194016 | | WO-637053 FM-GPW8543 | 05-5 | GASKET, pump to cylinder block | ea | 1 |
| M-5 | 3320-GPW8512 | | WO-639993 FM-GPW8512 | 01-4 05-5 | IMPELLER | ea | 1 |
| M-5 | G503-0345896 | | WO-639992 FM-GPW8501 | 05 1, 2 | PUMP, water, assy | ea | 1 |
| H-1 | H001-5026131 | 193990 | | | SCREW, cap, hex-hd, S, cd or zn-pltd, $\frac{5}{16}$ -18NC-2 x $\frac{3}{8}$. | ea | 3 |
| H-1 | H001-5026201 | 213705 | | | SCREW, cap, hex-hd, S, cd or zn-pltd, $\frac{5}{16}$ -18NC-2 x $2\frac{1}{2}$. | ea | 1 |
| H-1 | H001-7025711 | 120214 | | | WASHER, lock, med, S, cd or zn-pltd, $\frac{5}{16}$ in. | ea | 4 |
| M-5 | 3320-GPW8521 | | WO-639663 FM-GPW8521 | | SEAL, water, assy (Superseded by SEAL, WO 640031). | ea | 1 |
| M-5 | 3320-GPW8521 | | WO-640031 FM-GPW8521A | 01-1 05-5 | SEAL, water, assy | ea | 1 |
| M-5 | 3320-GPW8576 | | WO-636298 FM-GPW8576 | 05-5 | SPRING, retaining, shaft bearing | ea | 1 |
| | | | WO-640033 FM-GPW8572B | | SPRING, water seal | ea | 1 |
| M-5 | G503-7362105 | 7362105 | WO-640034 FM-GPW8557A FM-GPW8557 | 01-4 05-5 | WASHER, engine, water seal (at water pump) | ea | 1 |

| 0505—FAN, BELT, AND PULLEY | | | | | | | |
|----------------------------|---------------|---------|-----------------------------------|--------------|-----------------------------------------------------------|----|---|
| H-17 | H017-0507226 | 507226 | ----- | 01-4 05-2 | BELT, fan (Used w/6-volt generator)----- | ea | 1 |
| | G503-7713392 | 7713392 | FM-GPW8620A | ----- | BELT, fan (Used w/12-volt generator)----- | ea | 1 |
| | G503-7036577 | 7036577 | HI-88632 WO-A447 FM-GPW8600 | 01-2, 4 | FAN, engine, assy----- | ea | 1 |
| H-1 | H001-5025511 | 216915 | ----- | ----- | SCREW, cap, hex-hd, S, cd or zn-pltd, ¼- 20NC-2 x ¾. | ea | 4 |
| H-1 | H001-7025681 | 120380 | ----- | ----- | WASHER, lock, med, S, cd or zn-pltd, ¼ in. | ea | 4 |
| M-5 | 3320-GPW8509A | ----- | WO-636299 FM-GPW8509A | 05-5 | PULLEY, fan and water pump (Used w/6-volt generator). | ea | 1 |
| | G503-7713402 | 7713402 | FM-GPWS8509 | ----- | PULLEY, fan and water pump (Used w/12-volt generator). | ea | 1 |

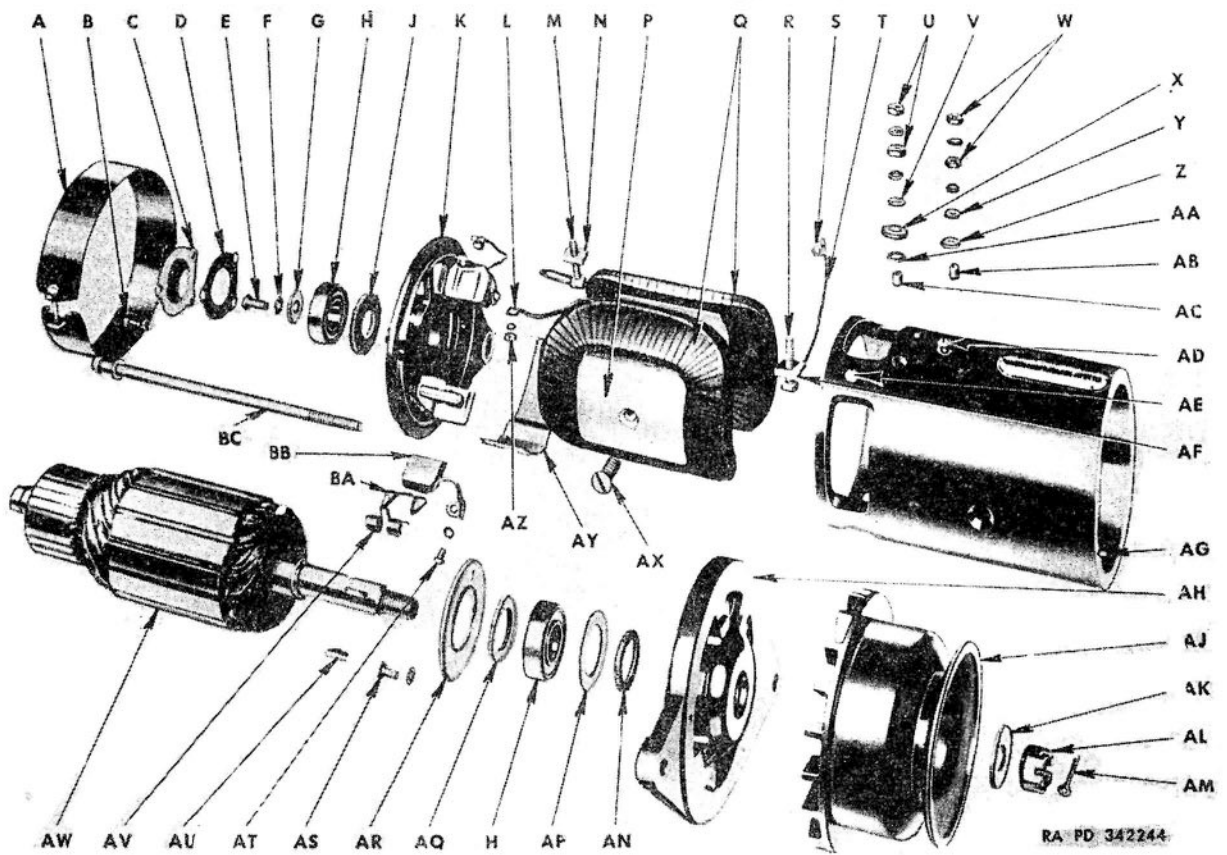


Figure 06-1. Generator, 6-volt (bearing type)—exploded view.

| <i>Key Item</i> | <i>Part No.</i> | <i>Key Item</i> | <i>Part No.</i> |
|--------------------|-----------------|------------------------|-----------------|
| A—BAND..... | AL-GCE24 | AC—INSULATOR..... | AC-GCT25 |
| B—SCREW..... | 132100 | AD—SCREW..... | 132900 |
| C—COVER..... | AL-GBT32A | AE—SCREW..... | 191646 |
| D—GASKET..... | AL-GBT25 | AF—INSULATOR..... | AL-GBW66 |
| E—SCREW..... | AL-DA60 | AG—PIN..... | 141108 |
| F—WASHER..... | 120380 | AH—HEAD, ASSY..... | AL-GCE1125 |
| G—WASHER..... | AL-DA22 | AJ—PULLEY, ASSY..... | AL-SP484AS |
| H—BEARING..... | 700159 | AK—WASHER..... | 120399 |
| J—WASHER..... | AL-DH7 | AL—NUT..... | 125366 |
| K—HEAD, ASSY..... | AL-GCE2118 | AM—PIN..... | 103374 |
| L—TERMINAL..... | AL-X959 | AN—WASHER..... | AL-GT78 |
| M—POST..... | AL-GEB58 | AP—WASHER..... | AL-DA39 |
| N—INSULATOR..... | AL-GBW67 | AQ—WASHER..... | AL-GAU31 |
| P—POLE..... | AL-GEB29 | AR—RETAINER..... | AL-GG6 |
| Q—COIL, ASSY..... | AL-GEB1005A | AS—SCREW..... | 132900 |
| R—POST..... | AL-GEB27 | AT—SCREW..... | 122159 |
| S—TERMINAL..... | AL-X847 | AU—KEY..... | 103905 |
| T—CABLE, ASSY..... | AL-GEB44 | AV—SPRING..... | AL-GCE53 |
| U—NUT..... | 503203 | AW—ARMATURE, ASSY..... | AL-GEG2120F |
| V—WASHER..... | 120392 | AX—SCREW..... | AL-GBY38A |
| W—NUT..... | 120614 | AY—INSULATOR..... | AL-GAL44 |
| X—INSULATOR..... | AL-GC26 | AZ—NUT..... | 134530 |
| Y—WASHER..... | 120385 | BA—ARM..... | AL-GCE54 |
| Z—INSULATOR..... | AL-GBW34 | BB—BRUSH, ASSY..... | AL-GCE1012 |
| AA—INSULATOR..... | AL-GAA32 | BC—BOLT..... | AL-DK23 |
| AB—INSULATOR..... | AL-GCY25 | | |

All parts are listed in Group 0601.1

Figure 06-1. Generator, 6-volt (bearing type)—Continued.

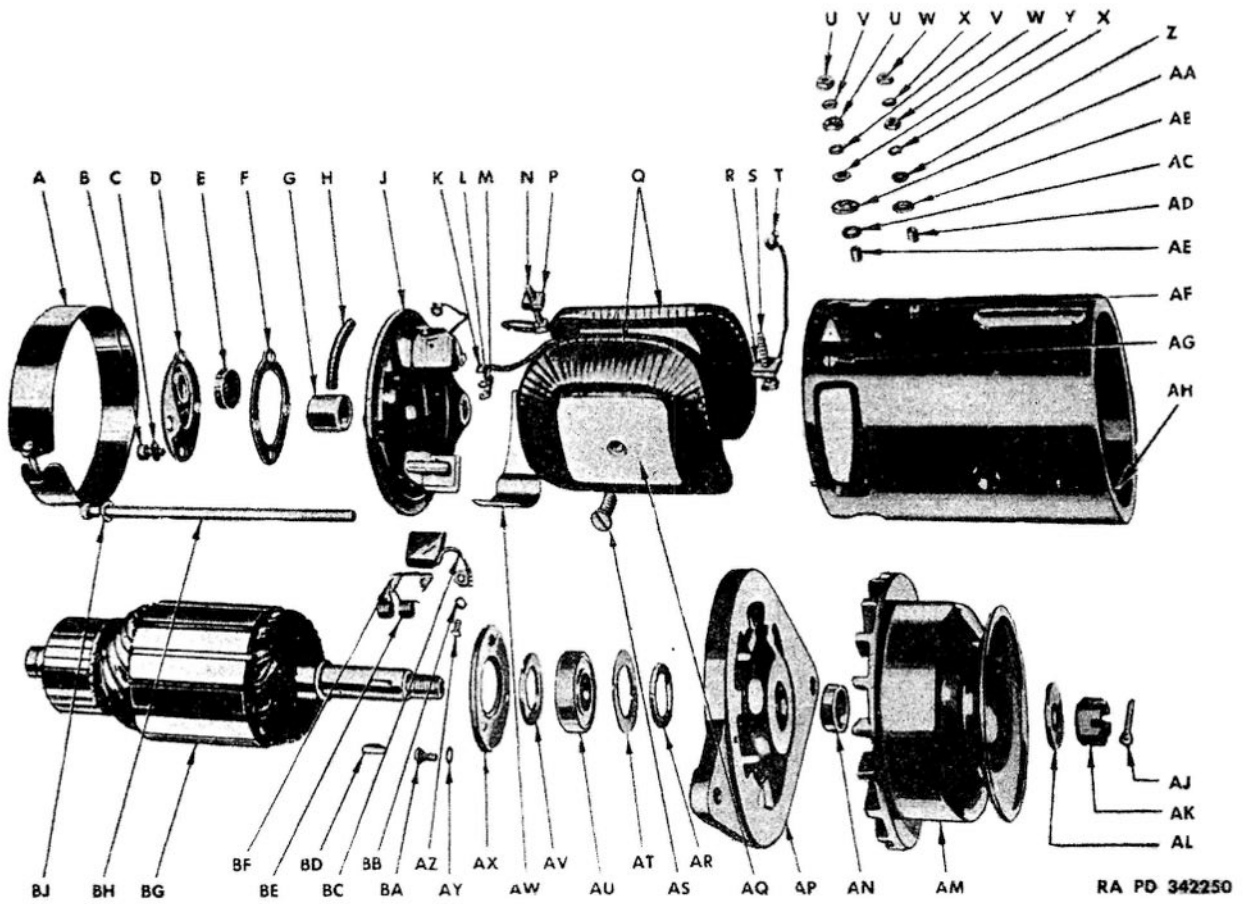


Figure 06-2. Generator, 6-volt (bushing type)—exploded view.

| <i>Key Item</i> | <i>Part No.</i> | <i>Key Item</i> | <i>Part No.</i> |
|-------------------|-----------------|------------------------|-----------------|
| A—BAND..... | AL-GCE24 | AF—SCREW..... | 132900 |
| B—SCREW..... | 131958 | AG—SCREW..... | 191646 |
| C—WASHER..... | 121841 | AH—PIN..... | 141108 |
| D—COVER..... | AL-GEG1030 | AJ—PIN..... | 103374 |
| E—PLUG..... | AL-GEG33 | AK—NUT..... | 125366 |
| F—GASKET..... | AL-GBW69 | AL—WASHER..... | 120396 |
| G—BEARING..... | AL-GBF79 | AM—PULLEY, ASSY..... | AL-SP484AS |
| H—WICK..... | AL-GAR73 | AN—SPACER..... | AL-GEG31 |
| J—HEAD, ASSY..... | AL-GCE1133A | AP—HEAD, ASSY..... | AL-GC1125 |
| K—TERMINAL..... | AL-X959 | AQ—POLE..... | AL-GEB29 |
| L—WASHER..... | 131044 | AR—WASHER..... | AL-GT78 |
| M—NUT..... | 134530 | AS—SCREW..... | AL-GBY38A |
| N—POST..... | AL-GEB58 | AT—WASHER..... | AL-DA39 |
| P—INSULATOR..... | AL-GBW67 | AU—BEARING..... | 700159 |
| Q—COIL, ASSY..... | AL-GEB1005A | AV—WASHER..... | AL-GAU31 |
| R—INSULATOR..... | AL-GBW66 | AW—INSULATOR..... | AL-GAL44 |
| S—POST..... | AL-GEB27 | AX—RETAINER..... | AL-GG6 |
| T—TERMINAL..... | AL-X847 | AY—WASHER..... | 120217 |
| U—NUT..... | 503203 | AZ—SCREW..... | 122159 |
| V—WASHER..... | AL-12X193 | BA—SCREW..... | 132900 |
| W—NUT..... | 120614 | BB—WASHER..... | 121841 |
| X—WASHER..... | 120217 | BC—BRUSH, ASSY..... | AL-GCE1012 |
| Y—WASHER..... | 120392 | BD—KEY..... | 103905 |
| Z—WASHER..... | 120385 | BE—SPRING..... | AL-GCE53 |
| AA—INSULATOR..... | AL-GC26 | BF—ARM..... | AL-GCE54 |
| AB—INSULATOR..... | AL-GBW34 | BG—ARMATURE, ASSY..... | AL-GEG2134F |
| AC—INSULATOR..... | AL-GAA32 | BH—BOLT..... | AL-DK23 |
| AD—INSULATOR..... | AL-GCY25 | BJ—WASHER..... | 120214 |
| AE—INSULATOR..... | AL-GCT25 | | |

All parts are listed in Group 0601.1

Figure 06-2.—Generator, 6-volt (bushing type)—Continued

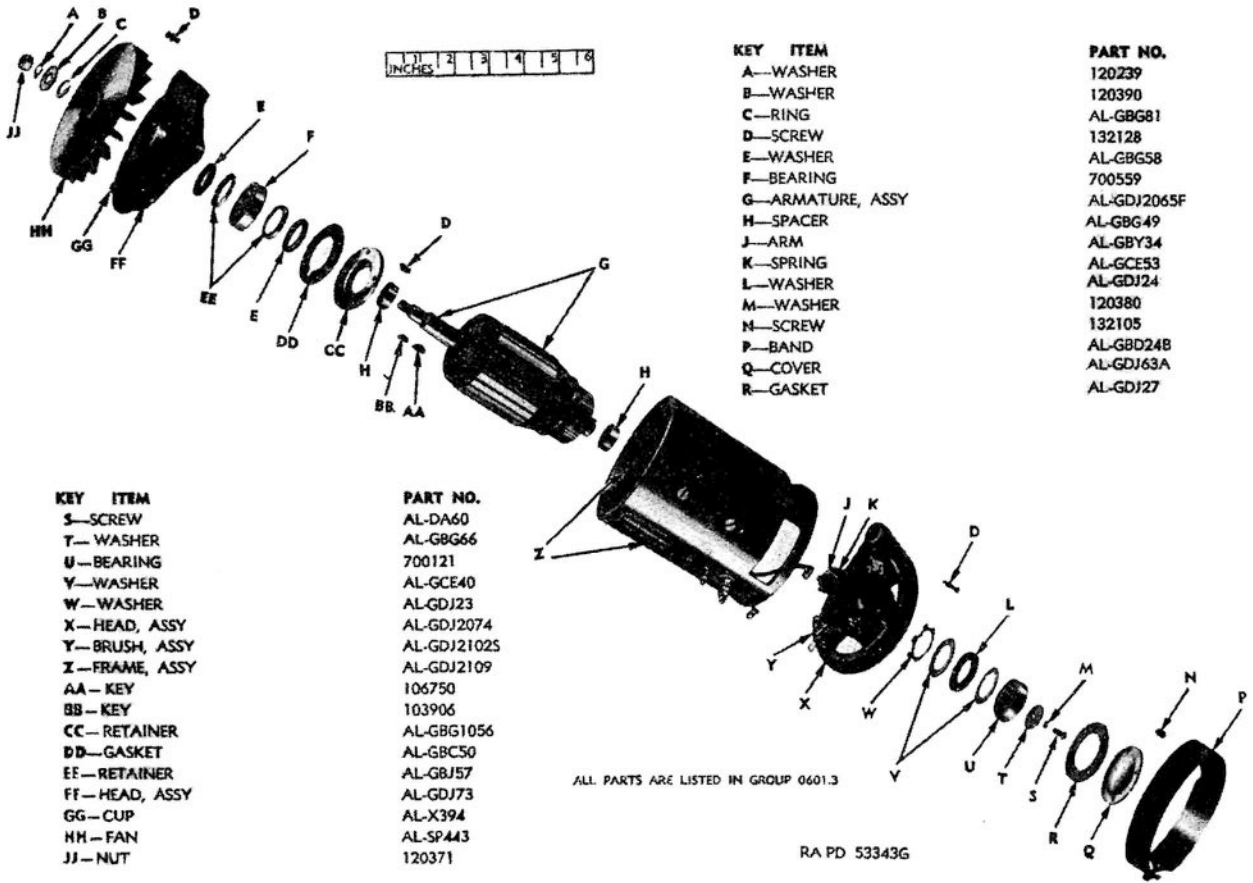


Figure 06-3. Generator, 12-volt—exploded view.

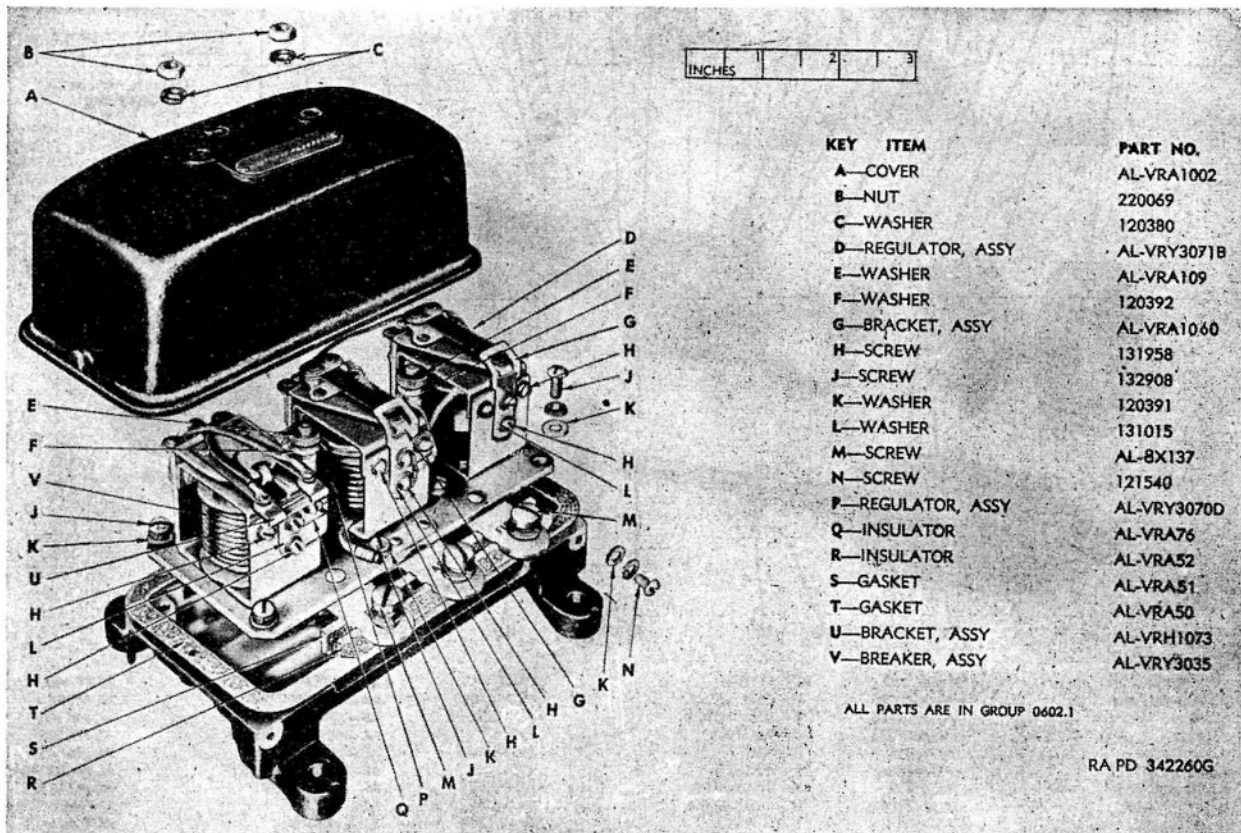


Figure 06-4. Generator regulator, 6-volt—assembly.

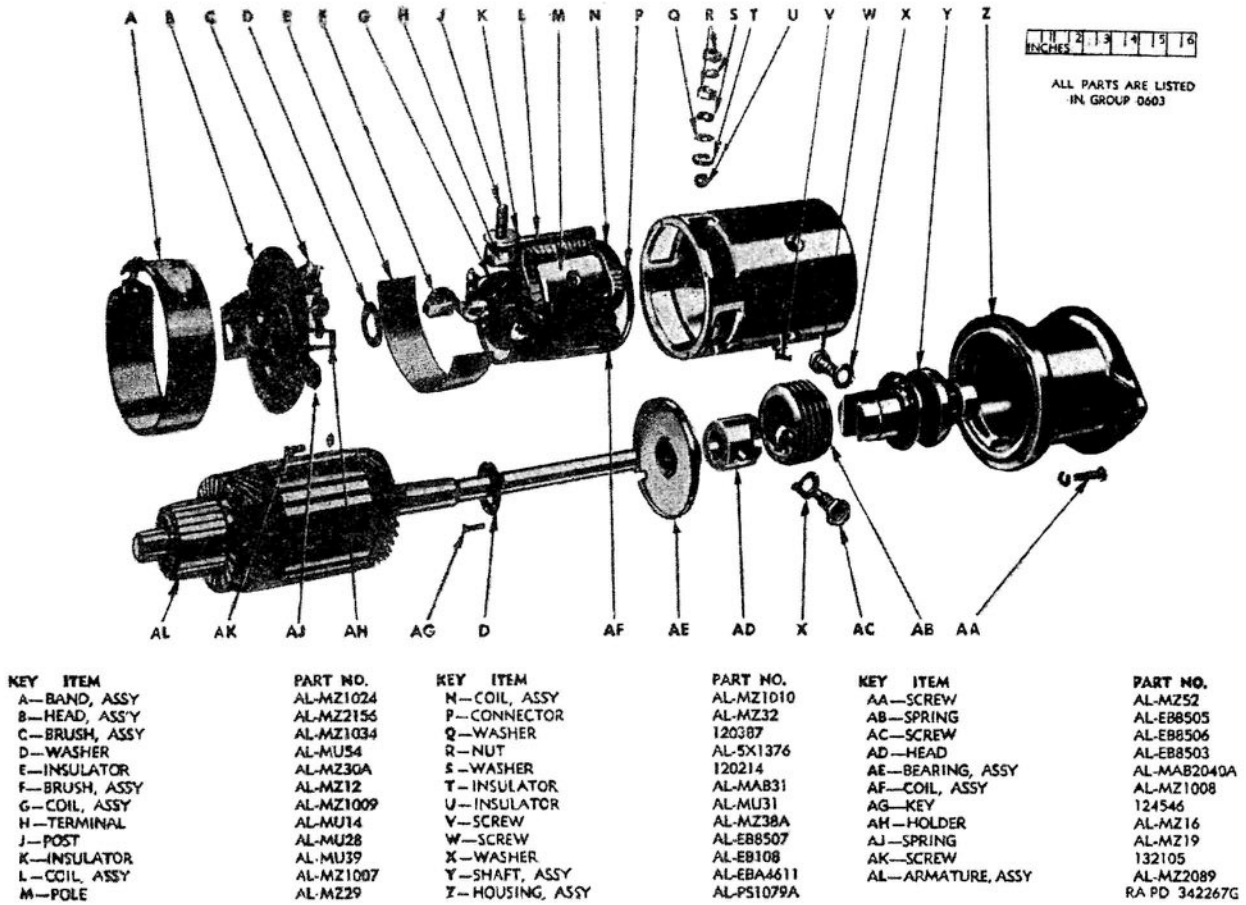
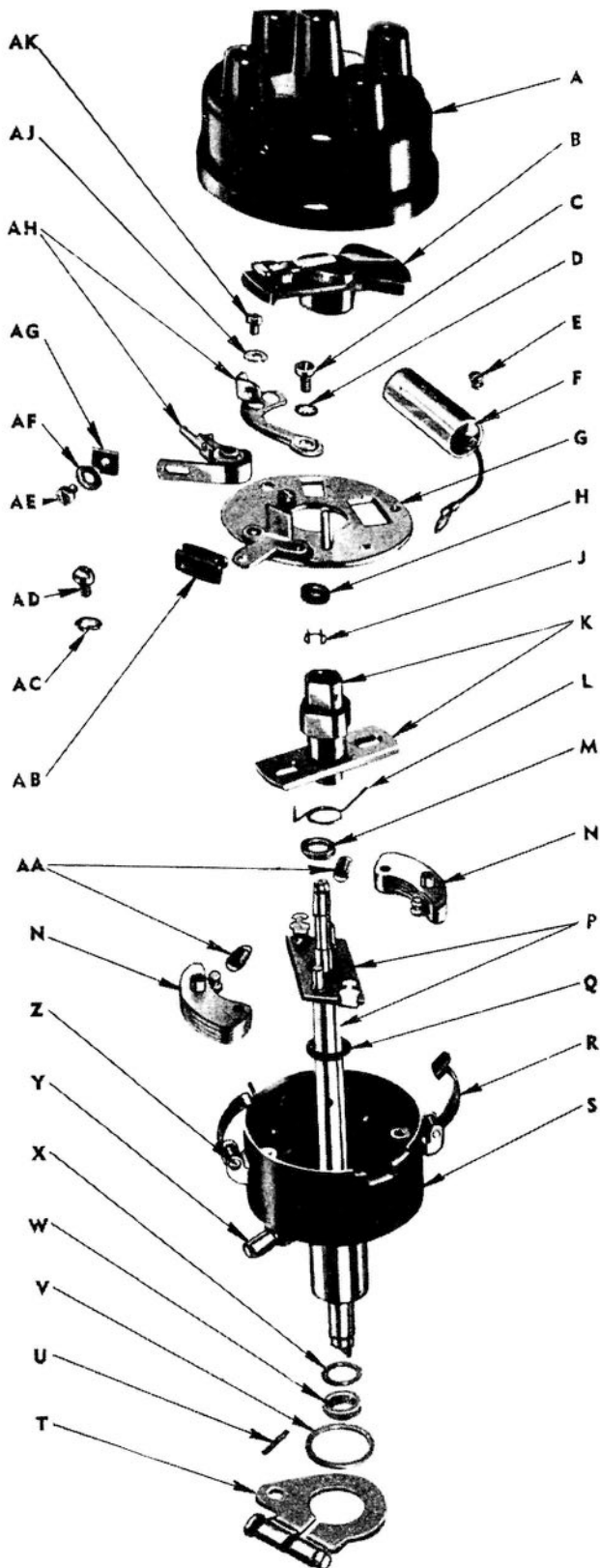
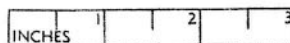


Figure 06-5. Starter, 6-volt—exploded view.



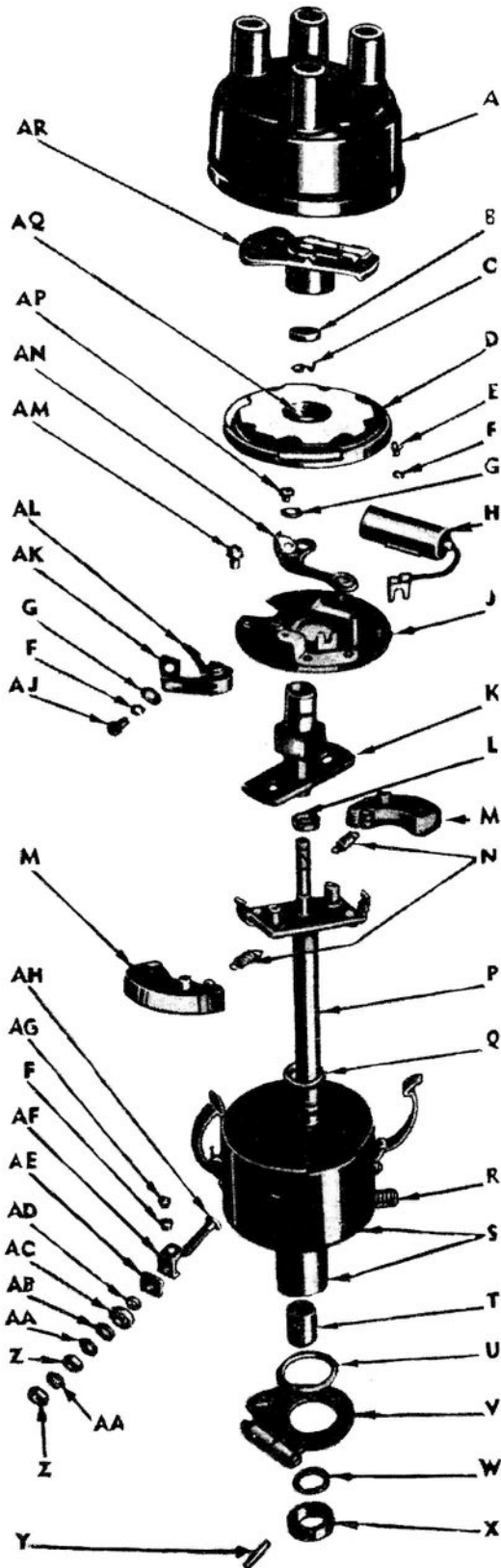
| KEY | ITEM | PART NO. |
|-----|--------------|--------------|
| A | CAP, ASSY | AL-IG1324 |
| B | ROTOR, ASSY | AL-IG1657R |
| C | SCREW | 132100 |
| D | WASHER | 120217 |
| E | SCREW | 132096 |
| F | CAPACITOR | AL-IGW3139 |
| G | PLATE | AL-IGC1148 |
| H | WICK | AL-IGH28 |
| J | RING | AL-IG680 |
| K | PLATE, ASSY | AL-IGC1132LB |
| L | SPRING | AL-IGT69 |
| M | SPACER | AL-IGS99 |
| N | WEIGHT, ASSY | AL-IG2456 |
| P | SHAFT, ASSY | AL-IGS1134L |
| Q | WASHER | AL-IGS104 |
| R | SPRING | AL-IG694 |
| S | BASE, ASSY | AL-IGS2135 |
| T | ARM, ASSY | AL-IGS1080 |
| U | PIN | 103693 |
| V | WASHER | AL-IG816C |
| W | COLLAR | AL-IGB199 |
| X | WASHER | AL-IG90 |
| Y | CUP | 45-C-9272 |
| Z | RIVET | 135764 |
| AA | SPRING SET | AL-IGB2025 |
| AB | COVER | AL-IGC117 |
| AC | WASHER | 131044 |
| AD | SCREW | 131875 |
| AE | SCREW | 121839 |
| AF | WASHER | 131014 |
| AG | CLIP | AL-IG676 |
| AH | POINT SET | AL-IGP3028FS |
| AJ | WASHER | 138530 |
| AK | SCREW | 131949 |

NOTE: ALL PARTS ARE LISTED IN GROUP 0604.1



RA PD 342269G

Figure 06-6. Distributor, open type—exploded view.



KEY ITEM

- A—CAP, ASSY
- B—WICK
- C—RING
- D—SEAL
- E—SCREW
- F—WASHER
- G—WASHER
- H—CAPACITOR
- J—PLATE, ASSY
- K—PLATE, ASSY
- L—SPACER
- M—WEIGHT, ASSY
- N—SPRING SET
- P—SHAFT, ASSY
- Q—WASHER
- R—CUP
- S—BASE, ASSY
- T—BEARING
- U—WASHER
- V—ARM, ASSY
- W—WASHER
- X—COLLAR
- Y—PIN
- Z—NUT
- AA—WASHER
- AB—WASHER
- AC—INSULATOR
- AD—INSULATOR
- AE—INSULATOR
- AF—CONNECTOR, ASSY
- AG—SCREW
- AH—POST, ASSY
- AJ—SCREW
- AK—CLIP
- AL—LEVER, ASSY
- AM—SCREW
- AN—BRACKET, ASSY
- AP—SCREW
- AQ—WASHER
- AR—ROTOR

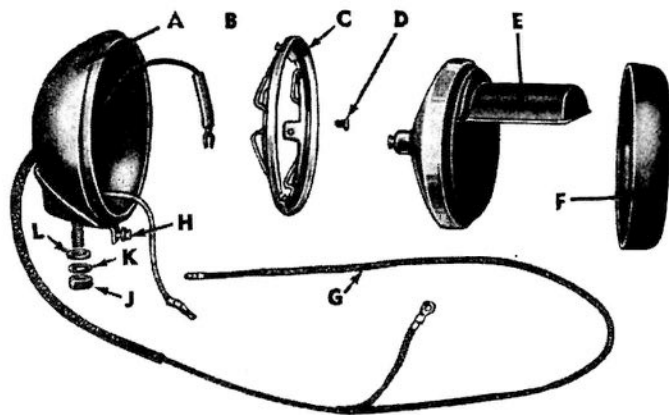
PART NO.

- AL-IG1324D
- AL-IGH28
- AL-IG680
- AL-IAD2015
- 132096
- 120217
- 131014
- AL-IGW3139
- AL-IAD2004
- AL-IAD1100LB-1
- AL-IGS99
- AL-IGC2168L
- AL-IGB3505
- AL-IGS1134LA
- AL-IGS104
- 45-C-9272
- AL-IAD2001
- AL-IG579A
- AL-IG816C
- AL-IGS1080
- AL-IG90
- AL-IGB199
- 103693
- 120614
- 120217
- 120385
- AL-IGL9
- AL-IAD10
- AL-IAD8
- AL-IAD7
- 110985
- AL-ILG8
- 121839
- AL-IG676
- AL-IGP5028
- AL-X2878
- AL-IGC1149
- 131949
- AL-IAD12
- AL-IG1657R

NOTE: ALL PARTS ARE LISTED IN GROUP 0604.1.

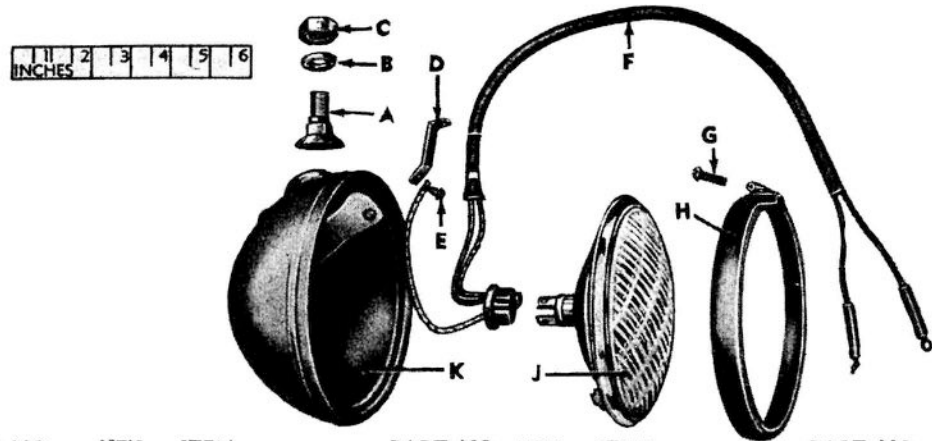
RA PD 342270G

Figure 06-7. Distributor, dustproof type—exploded view.



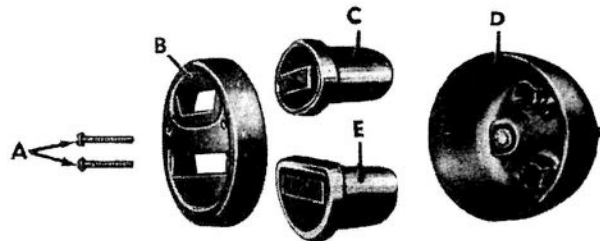
| KEY ITEM | PART NO. | KEY ITEM | PART NO. |
|-------------------|----------|---------------|-----------|
| A—HOUSING, ASSY | CB11500 | F—DOOR, ASSY | 504426 |
| B—CABLE, ASSY | CB11200 | G—CABLE, ASSY | WO-A11770 |
| C—RING AND SPRING | 504427 | H—SCREW | 131963 |
| D—SCREW | CB-7783 | J—NUT | 123221 |
| E—LAMP UNIT | 504433 | K—WASHER | 120382 |
| | | L—WASHER | WO-A6313 |

BLACKOUT HEAD LIGHT ASSEMBLY



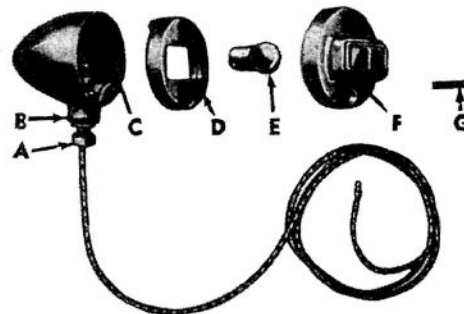
| KEY ITEM | PART NO. | KEY ITEM | PART NO. |
|------------|----------|-----------------|----------|
| A—BOLT | CB-6012 | F—CABLE, ASSY | WO-A1362 |
| B—NUT | 120371 | G—SCREW | 427249 |
| C—WASHER | 120384 | H—DOOR | CB-8523 |
| D—RETAINER | CB8010 | J—LAMP UNIT | 193152 |
| E—SCREW | 132892 | K—HOUSING, ASSY | CB-10436 |

LEFT HEAD LIGHT ASSEMBLY



| KEY ITEM | PART NO. |
|-----------------|----------|
| A—SCREW | 132780 |
| B—DOOR | 504432 |
| C—LAMP-UNIT | 504417 |
| D—HOUSING, ASSY | CB-9212 |
| E—LAMP-UNIT | 504420 |

TAIL AND STOP LIGHT ASSEMBLY



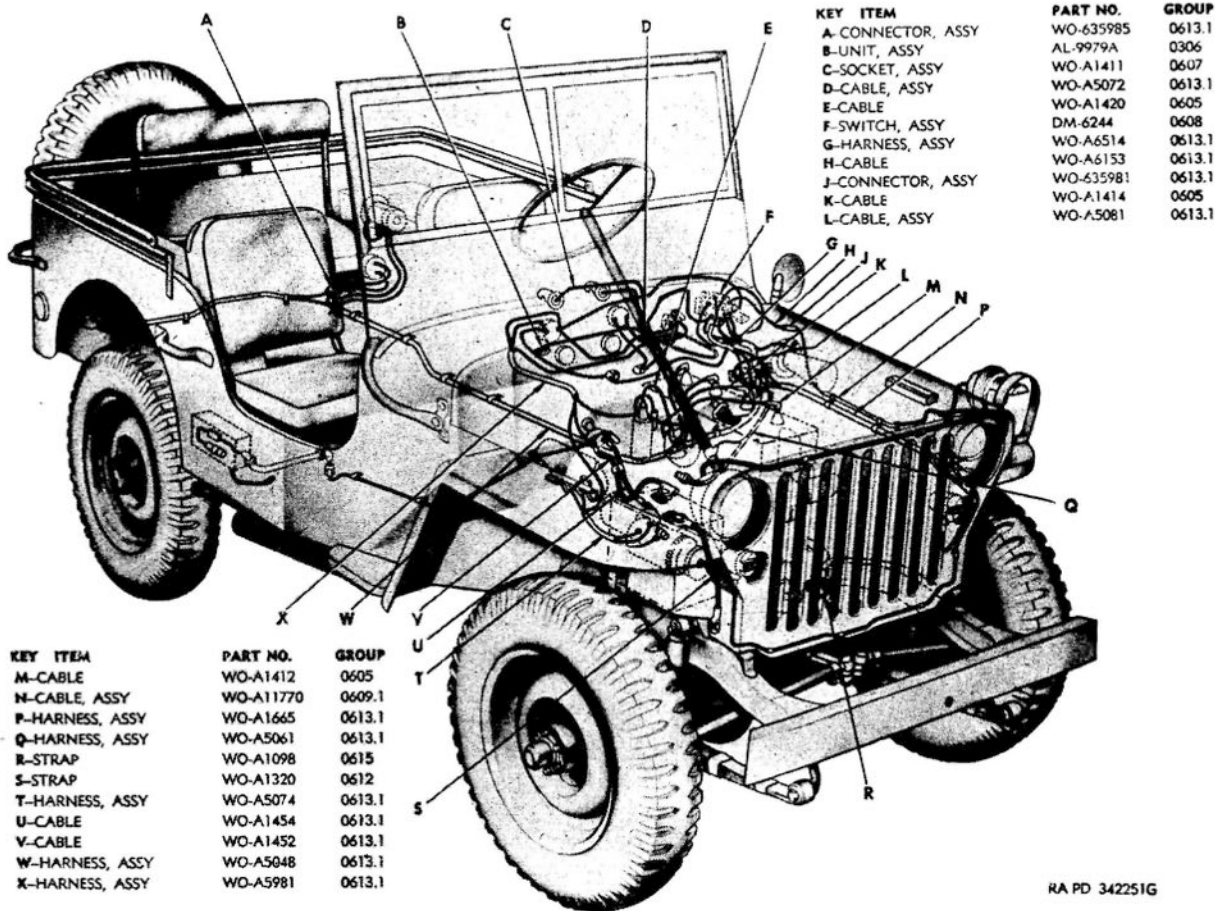
| KEY ITEM | PART NO. |
|-----------------|----------|
| A—NUT | 120368 |
| B—WASHER | 120214 |
| C—HOUSING, ASSY | CB-10462 |
| D—GASKET | CB-9281 |
| E—LAMP | 142303 |
| F—DOOR, ASSY | 504435 |
| G—SCREW | 134235 |

LEFT MARKER LIGHT ASSEMBLY

ALL PARTS ARE LISTED IN GROUP 0609.1

RA PD 355059

Figure 06-8. Lights (6-volt installation).



RA PD 342251G

Figure 06-9. Wiring installation.

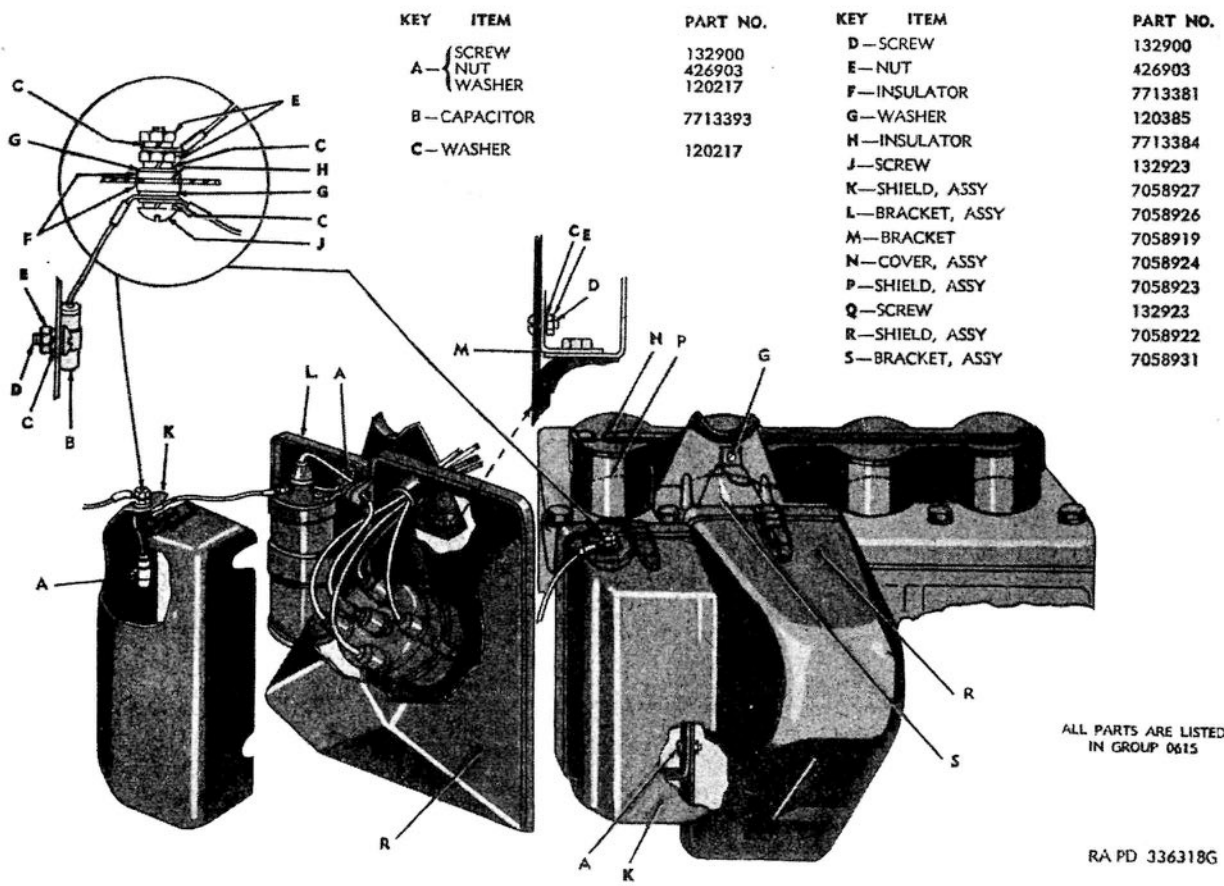


Figure 06-10. Radio suppression shielding.

| (1) NOTE SYMBOL | (2) STOCK NO. | (3) ORDNANCE PART NO. | (4) MFR'S PART NO. | (5) FIGURE NO. | (6) NOMENCLATURE | (7) UNIT OF MEAS- URE | (8) QUAN- TITY PER UNIT ASSEM- BLY |
|-----------------------------------|------------------|-----------------------------|------------------------------------------|-------------------|----------------------------------------------------------------------------------------------------------------------------|-----------------------------------|------------------------------------------------------|
| GROUP 06—ELECTRICAL SYSTEM | | | | | | | |
| 0601.1—GENERATOR (6-VOLT) | | | | | | | |
| M-5 | G121-0110500 | ----- | AL-GEG2120F WO-A1637 FM-GPW10005 | 06-1 | ARMATURE, assy (for GENERATORS AL-GEG5002D, and AL-GEG5001A). | ea | 1 |
| M-5 | 2980-GEG2134F | ----- | AL-GEG2134F WO-A10295 FM-GPW10005B | 06-2 | ARMATURE, assy (for GENERATOR A1-GEG5101D only). | ea | 1 |
| M-5 | ----- | ----- | AL-GCE54 WO-A1629 FM-GPW10105 | 06-1, 2 | ARM, brush----- | ea | 2 |
| G-9 | G121-0115950 | ----- | AL-GCE24 WO-A1649 FM-GPW10142 | 06-1, 2 | BAND, cover, commutator end head----- | ea | 1 |
| H-1 | H001-4139681 | 120611 | ----- | ----- | NUT, mach screw, sq, S, cd or zn-pltd, No. 10-32NF-2. | ea | 1 |
| H-1 | H101-0132926 | 132926 | ----- | ----- | SCREW, mach, rd-hd, S, cd or zn-pltd, No. 10-32NF-2 x 1¼. | ea | 1 |
| H-12 | H012-1323017 | 700159 | ----- | 06-1, 2 | BEARING, ball, No. 17BC02PP (drive end) (GENERATOR AL-GEG5101D only). | ea | 2 |
| M-5 | 2980-GBF79 | ----- | AL-GBF79 WO-A1793 FM-GPW10128 | 06-2 | BEARING, bushing type, ab bz, 0.626 ID x 0.754 OD x 0.968 long (armature commutator end) (for GENERATOR AL-GEG5101D only). | ea | 1 |
| G-9 | 3320-GPW10176 | ----- | WO-A1468 FM-GPW10176 | ----- | BOLT, pivot, brace (hex-hd, S, ⅜-24NF-2 x ⅝)--- | ea | 1 |
| H-1 | H001-4027541 | 225831 | ----- | ----- | NUT, hex, reg, s-fin, S, cd or zn-pltd, ⅜-24NF-2. | ea | 1 |
| H-1 | H001-7025741 | 120382 | ----- | ----- | WASHER, lock, med, S, cd or zn-pltd, ⅝ in-- | ea | 1 |
| G-9 | G116-1781899 | ----- | AL-DK23 WO-A1590 FM-GPW10120 | 06-1, 2 | BOLT, through----- | ea | 2 |
| H-1 | H001-7025711 | 120214 | ----- | 06-2 | WASHER, lock, med, S, cd or zn-pltd, ⅝ in-- | ea | 2 |
| G-9 | 3320-GPW10143 | ----- | WO-A1399 FM-GPW10143 | ----- | BRACE, short----- | ea | 1 |
| H-1 | H001-4026521 | 220070 | ----- | ----- | NUT, hex, reg, s-fin, S, cd or zn-pltd, ⅝-18NC-2. | ea | 1 |
| H-1 | H101-0215369 | 215369 | ----- | ----- | SCREW, cap, hex-hd, S, cd or zn-pltd, ⅝-18NC-2 x 1¼. | ea | 1 |

| | | | | | | | |
|-----|----------------|---------|----------------------------|---------|----------------------------------------------------------------------------|----|---|
| H-1 | H001-7124731 | 178537 | ----- | ----- | WASHER, lock, int-ext-teeth, S, cd or zn-pltd, $\frac{5}{16}$ in. | ea | 1 |
| G-9 | 3320-GPW10153A | ----- | WO-A1491 | ----- | BRACE, w/HANDLE, assy----- | ea | 1 |
| M-5 | G116-0400320 | ----- | FM-GPW10153A AL-GCE1012 | 06-1, 2 | BRUSH, assy----- | ea | 2 |
| H-1 | H001-5145711 | 122159 | WO-A1630 FM-GPW10069 | 06-1, 2 | SCREW, mach, rd-hd, S, cd- or zn-pltd, No. 8-32NC-2 x $\frac{1}{4}$. | ea | 2 |
| H-1 | H001-7025591 | 121841 | ----- | 06-2 | WASHER, lock, med, S, cd- or zn-pltd, No. 8. | ea | 2 |
| G-9 | 3320-GPW10177 | ----- | WO-A1470 | ----- | BUSHING, brace----- | ea | 1 |
| G-9 | 9680-A17337 | ----- | FM-GPW10177 WO-A17337 | ----- | CABLE, assy (armature capacitor)----- | ea | 1 |
| M-5 | G121-0273850 | ----- | FM-GPW14471-D AL-GEB44 | 06-1 | CABLE, armature, terminal, assy----- | ea | 1 |
| G-9 | G502-6167566 | B167566 | WO-A1601 | ----- | CABLE, field coil control, assy----- | ea | 1 |
| H-1 | H001-5147511 | 122159 | FM-GPW10100 AL-GBG-27 | ----- | SCREW, mach, rd-hd, S, cd or zn-pltd, No. 8-32NC-2 x $\frac{1}{4}$. | ea | 1 |
| H-1 | H001-7021651 | 121841 | ----- | ----- | WASHER, lock, med, S, cd or zn-pltd, No. 8. | ea | 1 |
| G-9 | ----- | ----- | AL-GEB1007A | ----- | COIL, field, left, assy----- | ea | 1 |
| M-5 | G121-0139650 | ----- | WO-A1606 | 06-1, 2 | COIL, field, left and right, assy----- | ea | 1 |
| G-9 | G121-0139665 | ----- | FM-GPW10192 AL-GEB1005A | ----- | COIL, field, right, assy----- | ea | 1 |
| G-9 | G121-0131432 | A346845 | WO-A1604 FM-GPW10175 | 06-1 | COVER, commutator end bearing (for GENERATOR AL-GEG5002D only). | ea | 1 |
| H-1 | H101-0132100 | 132100 | AL-GEB100B | 06-1 | SCREW, mach, fil-hd, S, cd or zn-pltd, No. 10-32NF-2 x $\frac{5}{16}$. | ea | 3 |
| H-1 | H001-7025621 | 120217 | WO-A1607 | 06-2 | WASHER, lock, med, S, cd or zn-pltd, No. 10. | ea | 3 |
| G-9 | G502-7337026 | 7337026 | FM-GPW10191 AL-GEG1030 | 06-2 | COVER, commutator end head, w/PLUG, assy (for GENERATOR AL-GEG5101D only). | ea | 1 |
| H-1 | H001-5125821 | 131958 | WO-A10292 | 06-2 | SCREW, mach, fil-hd, S, cd or zn-pltd, No. 8-32NC-2 x $\frac{5}{16}$. | ea | 4 |
| H-1 | H001-7025591 | 121841 | FM-GPW10119B | 06-2 | WASHER, lock, med, S, cd or zn-pltd, No. 8. | ea | 4 |
| M-5 | ----- | ----- | AL-GAR98A | ----- | COVER, commutator end plate oil wick (for GENERATOR AL-GEG5101D only). | ea | 1 |
| | | | WO-A1786 | ----- | | | |
| | | | FM-GPW10087 | ----- | | | |

| (1) NOTE SYMBOL | (2) STOCK NO. | (3) ORDNANCE PART NO | (4) MFR'S PART NO. | (5) FIGURE NO. | (6) NOMENCLATURE | (7) UNIT OF MEAS- URE | (8) QUAN- TITY PER UNIT ASSEM- BLY |
|-----------------------|------------------|----------------------------|-----------------------------------------------------|-------------------|----------------------------------------------------------------------------------------------------------------|-----------------------------------|------------------------------------------------------|
| | | | | | GROUP 06—ELECTRICAL SYSTEM—Continued | | |
| | | | | | 0601.1—GENERATOR (6-VOLT)—Continued | | |
| K-3 | 45-C-9272 | 113702 45-C-9272 | | | CUP, oil, S, hinge lid type, stght, ¼ in. drive (for GENERATORS AL-GEG5101D and AL-GEG5001A). | ea | 1 |
| G-9 | G121-0193758 | A346846 | AL-GBT25 WO-A1625 FM-GPW10119 | 06-1 | GASKET, commutator end bearing cover..... | ea | 1 |
| M-5 | G085-1100877 | ----- | AL-GBW69 WO-A1787 FM-GPW10122 | 06-2 | GASKET, commutator end head bearing cover (for GENERATOR AL-GEG5101D only). | ea | 1 |
| M-5 | G085-1100878 | ----- | AL-GBW73 WO-A1789 FM-GPW10086 | | GASKET (commutator end head bearing oil retaining washer) (for GENERATOR AL-GEG5101D only). | ea | 1 |
| M-5 | G503-0196299 | ----- | AL-GEG5001A WO-A1246 FM-GPW10000 | | GENERATOR, assy (optional with GENERATORS AL-GEG5101D and AL-GEG5002D). | ea | 1 |
| G-9 | G503-0196299 | ----- | AL-GEG5002D WO-A1246 WO-A5992 FM-GPW10000A | | GENERATOR, assy (optional with GENERATORS AL-GEG5001A and AL-GEG5101D). | ea | 1 |
| G-9 | G503-7734389 | 7734389 | AL-GEG5101D WO-A10048 FM-GPW10000A3 | 01-2 05-2 | GENERATOR, assy (bushing type bearing, commutator end) (optional with GENERATORS AL-GEG5001A and AL-GEG4002D). | ea | 1 |
| M-5 | G085-1305451 | ----- | AL-GBW72 WO-A1788 FM-GPW10082 | | GUARD, oil, commutator end bearing (washer type) (for GENERATOR AL-GEG5101D only). | ea | 1 |
| G-9 | 3320-GPW10162 | ----- | WO-A1400 FM-GPW10162 | | GUIDE, adjusting, brace..... | ea | 1 |
| H-1 | H001-4027541 | 225831 | | | NUT, hex, reg, s-fin, S, cd or zn-pltd, ¾-24NF-2. | ea | 1 |
| H-1 | H101-0215544 | 215544 | | | SCREW, cap, hex-hd, S, cd or zn-pltd, ¾-24NF-2 x 1½. | ea | 1 |
| H-1 | H001-7025741 | 120382 | | | WASHER, lock, med, S, cd or zn-pltd, ¾ in. | ea | 1 |
| H-1 | H001-7045591 | 120388 | | | WASHER, plain, US std, S, cd or zn-pltd, ¾ in. | ea | 1 |

| | | | | | | | |
|-----|------------------|---------|------------------------------------------------------------------|---------|---------------------------------------------------------------------------------------------------------------------------|----|---|
| M-5 | G121-0340310 | A278701 | AL-GCE2119 AL-GCE2118A WO-A1627 WO-A6298 FM-GPW10050 | 06-1 | HEAD, commutator end, assy (for GENERATOR AL-GEG5002D and AL-GEG5001A). | ea | 1 |
| M-5 | 3320-GPW10129 | ----- | AL-GCE1133A WO-A10291 FM-GPW10129B | 06-2 | HEAD, cummutator end, assy (for GENERATOR AL-GEG5101D only). | ea | 1 |
| | 2980-GCE125 | ----- | AL-GCE125 | ----- | HEAD, drive end (for GENERATOR AL-GEG-5001A only). | ea | 1 |
| G-9 | G121-0211480 | ----- | AL-GCE125A WO-A6301 FM-GPW10139 | ----- | HEAD, drive end (for GENERATORS AL-GEG-5101D and AL-GEG5002D). | ea | 1 |
| M-5 | G121-0211490 | ----- | AL-GCE1125 AL-GCE1125A WO-A6300 WO-A1643 FM-GPW10138 | 06-1, 2 | HEAD, drive end, assy (for GENERATORS AL-GEG5101D and AL-GEG5002D). | ea | 1 |
| M-5 | G121-0232740 | A308318 | AL-GBW66 WO-A1594 FM-GPW10202C | 06-1, 2 | INSULATOR, armature terminal post, inner----- | ea | 1 |
| G-9 | G503-7010675 | 7010675 | AL-MAK49 WO-A15485 | ----- | INSULATOR, armature terminal post, outer (for GENERATOR AL-GEG5101D only). | ea | 1 |
| M-5 | G121-0232730 | ----- | AL-GAA32 WO-A1591 FM-GPW1020A | 06-1, 2 | INSULATOR, armature terminal post, top ($1\frac{1}{8}$ x $\frac{3}{4}$ x 0.062). | ea | 1 |
| M-5 | G121-0127843 | ----- | AL-GCT25 WO-A1598 FM-GPW10104 | 06-1. 2 | INSULATOR, bushing type, armature terminal (0.250 x 0.312 x $\frac{5}{16}$). | ea | 1 |
| M-5 | G121-0127846 | ----- | AL-GCY25 WO-A1599 FM-GPW10055 FM-GPW1026A | 06-1, 2 | INSULATOR, bushing type, field terminal stud (0.250 x 0.305 x $\frac{5}{16}$). | ea | 1 |
| M-5 | G085-2266530 | ----- | AL-GAL44 WO-1592 FM-O1A10193 | 06-1, 2 | INSULATOR, insulating paper, $1\frac{1}{8}$ in x $5\frac{1}{16}$ in. over-all, $\frac{1}{4}$ thk (field coil connection). | ea | 1 |
| M-5 | G121-0232750 | A308322 | AL-GBW67 WO-A1595 FM-GPW10208B | 06-1, 2 | INSULATOR, square, field terminal post, inner--- | ea | 1 |
| G-9 | 3320-GPW10178A | ----- | WO-A1395 FM-GPW10178A | ----- | INSULATOR, support (rubber, $\frac{1}{2}$ ID, $1\frac{1}{16}$ OD)--- | ea | 2 |
| G-9 | 3320-GPW-3554558 | ----- | WO-A1397 FM-355455S7 | ----- | BOLT, hex-hd, S, cd-pltd, $\frac{5}{16}$ -24NF-2 x $3\frac{29}{32}$ --- | ea | 2 |
| H-1 | H001-4027521 | 221157 | ----- | ----- | NUT, hex, reg, s-fin, S, cd or zn-pltd, $\frac{5}{16}$ -24NF-2. | ea | 2 |
| H-1 | H001-7025711 | 120214 | ----- | ----- | WASHER, lock, med, S, cd or zn-pltd, $\frac{5}{16}$ in. | ea | 2 |

| (1) NOTE SYMBOL | (2) STOCK NO. | (3) ORDNANCE PART NO. | (4) MFR'S PART NO. | (5) FIGURE NO. | (6) NOMENCLATURE | (7) UNIT OF MEAS- URE | (8) QUAN- TITY PER UNIT ASSEM- BLY |
|---------------------------------------------|------------------|-----------------------------|---------------------------------------|-------------------|-------------------------------------------------------------------------------------|-----------------------------------|------------------------------------------------------|
| GROUP 06—ELECTRICAL SYSTEM—Continued | | | | | | | |
| 0601.1—GENERATOR (6-VOLT)—Continued | | | | | | | |
| G-9 | 3320-35637187 | ----- | WO-A1401 FM-35637187 | ----- | INSULATOR—Continued WASHER, plain, S, cd-pltd, $\frac{2}{64}$ ID----- | ea | 2 |
| G-9 | ----- | ----- | WO-A1396 FM-356436S | ----- | WASHER, plain, S, $\frac{2}{64}$ ID----- | ea | 2 |
| M-5 | G121-0442956 | ----- | AL-GC26 WO-A1597 FM-GPW10208A | 06-1, 2 | INSULATOR, washer type, field terminal post, outer. | ea | 1 |
| M-5 | ----- | ----- | AL-GBW34 WO-A1593 FM-GPW10202A | 06-1, 2 | INSULATOR, washer type, field terminal stud, outer. | ea | 1 |
| H-1 | H101-0141108 | 141108 | ----- | 06-1, 2 | PIN, dowel, S, $\frac{1}{8}$ x $\frac{1}{16}$ (commutator end head)----- | ea | 2 |
| M-5 | ----- | ----- | AL-GEG33 WO-A10293 FM-GPW10112 | 06-2 | PLUG, commutator end head bearing cover (felt) (for GENERATOR AL-GEG5101D only). | ea | 1 |
| G-9 | ----- | ----- | AL-GEB29 WO-A1600 FM-GPW10041 | 06-1, 2 | POLE, shoe, field coil----- | ea | 2 |
| M-5 | ----- | ----- | AL-GBY38A WO-A1596 FM-355486S7 | 06-1, 2 | SCREW, special, ck-hd, S, cd-pltd, $\frac{3}{8}$ -16NC- 2 x 0.90. | ea | 2 |
| G-9 | G121-0342310 | ----- | AL-GEB27 WO-A1602 FM-GPW10211'A | 06-1, 2 | POST, armature term. (No. 14-24NC)----- | ea | 1 |
| H-1 | H101-0503203 | 503203 | ----- | 06-1, 2 | NUT, mach screw, hex, S, cd or zn-pltd, No. 14-24NS-2. | ea | 2 |
| G-9 | ----- | ----- | AL-12X193 WO-A1612 FM-356263S7 | 06-2 | WASHER, lock, reg, S, cd-pltd, $\frac{1}{4}$ ----- | ea | 1 |
| H-1 | H001-7043681 | 120392 | ----- | 06-1, 2 | WASHER, plain, SAE std, S, cd or zn-pltd, $\frac{1}{4}$ in. | ea | 1 |
| H-1 | H001-7045531 | 120386 | ----- | ----- | WASHER, plain, US std, S, cd or zn-pltd, $\frac{1}{4}$ in. | ea | 1 |
| G-9 | G121-0342320 | ----- | AL-GEB58 WO-A1605 FM-GPW10211B | 06-1, 2 | POST, field terminal (No. 10-32NF)----- | ea | 1 |

| | | | | | | | |
|-----|---------------|---------|---------------------------------------|---------|-------------------------------------------------------------------------------|----|---|
| H-1 | H001-4135681 | 120614 | ----- | 06-1, 2 | NUT, mach screw, hex, S, cd or zn-pltd, No. 10-32NF-2. | ea | 2 |
| H-1 | H001-7025621 | 120217 | ----- | 06-2 | WASHER, lock, med, S, cd or zn-pltd, No. 10. | ea | 2 |
| H-1 | H001-7045491 | 120385 | ----- | 06-1, 2 | WASHER, plain, US std, S, cd or zn-pltd, No. 10. | ea | 1 |
| G-9 | G716-7734834 | 7734834 | AL-SP484A | ----- | PULLEY, drive, w/SPACER, assy (Superseded by AL-484AS). | ea | 1 |
| M-5 | 2980-SP484AS | ----- | AL-SP484AS WO-A1639 FM-GPW10061 | 06-1, 2 | PULLEY, drive, w/SPACER, assy | ea | 1 |
| H-1 | H001-0518001 | 103905 | ----- | 06-1, 2 | KEY, Woodruff, S, $\frac{1}{8}$ x $\frac{5}{8}$ (No. 405 or 5) | ea | 1 |
| H-1 | H001-4220661 | 125366 | ----- | 06-1, 2 | NUT, slotted, light, thick, s-fin, cd or zn-pltd, $\frac{1}{2}$ -20NF-2. | ea | 1 |
| H-1 | H001-0811040 | 103374 | ----- | 06-1, 2 | PIN, cotter, split, S, $\frac{3}{32}$ x 1 | ea | 1 |
| G-9 | 2980-SP484 | ----- | AL-SP484 WO-A9492 FM-GPW10130 | ----- | PULLEY, drive, w/o SPACER | ea | 1 |
| G-9 | ----- | ----- | AL-GT76 WO-109173 FM-GPW10214 | ----- | RETAINER, commutator end head, felt washer (for GENERATOR AL-GEG5002D only). | ea | 1 |
| G-9 | G121-0367615 | ----- | AL-GG6 WO-106313 FM-GPW10098 | 06-1, 2 | RETAINER, drive end bearing | ea | 1 |
| H-1 | H001-5148831 | 132900 | ----- | ----- | SCREW, mach, rd-hd, S, cd or zn-pltd, No. 10-32NF-2 x $\frac{3}{8}$. | ea | 3 |
| H-1 | H001-7025621 | 120217 | ----- | ----- | WASHER, lock, med, S, cd or zn-pltd, No. 10 | ea | 3 |
| G-9 | ----- | ----- | AL-GK162 WO-108515 FM-GPW10121 | ----- | RETAINER, drive end head, felt washer | ea | 1 |
| H-1 | H101-0191646 | 191646 | ----- | 06-1, 2 | SCREW, mach, fl-hd, S, cd or zn-pltd, No. 6-32NC-2 x $\frac{1}{16}$ (ground). | ea | 2 |
| H-1 | H001-4135581 | 134530 | ----- | 06-1, 2 | NUT, mach screw, hex, S, cd or zn-pltd, No. 6-32NC-2. | ea | 1 |
| H-1 | H001-7025561 | 131044 | ----- | 06-2 | WASHER, lock, med, S, cd or zn-pltd, No. 6 | ea | 2 |
| H-1 | H001-5148831 | 132900 | ----- | 06-1, 2 | SCREW, mach, rd-hd, S, cd or zn-pltd, No. 10-32NF-2 x $\frac{3}{8}$ (ground). | ea | 1 |
| G-9 | 2980-GEG-31 | ----- | AL-GEG31 WO-A8842 FM-GPW10035 | 06-2 | SPACER, shaft pulley (for GENERATORS AL-GEG5002D and AL-GEG5101D). | ea | 1 |
| G-9 | 3320-GPW10155 | ----- | WO-A1469 FM-GPW10155 | ----- | SPRING, brace | ea | 1 |
| M-5 | G507-6167579 | B167579 | AL-GCE53 WO-A1628 FM-GPW10057 | 06-1, 2 | SPRING, brush | ea | 2 |

| (1) NOTE SYMBOL | (2) STOCK NO. | (3) ORDNANCE PART NO. | (4) MFR'S PART NO. | (5) FIGURE NO. | (6) NOMENCLATURE | (7) UNIT OF MEAS- URE | (8) QUAN- TITY PER UNIT ASSEM- BLY |
|---------------------------------------------|------------------|-----------------------------|-------------------------------------|-------------------|---------------------------------------------------------------------------------------------------------------------------------------------------------|-----------------------------------|------------------------------------------------------|
| GROUP 06—ELECTRICAL SYSTEM—Continued | | | | | | | |
| 0601.1—GENERATOR (6 VOLT)—Continued | | | | | | | |
| G-9 | 3320-GPW10166 | ----- | WO-A1392 FM-GPW10166 | ----- | SUPPORT, assy | ea | 1 |
| H-1 | H001-5026731 | 213600 | ----- | ----- | SCREW, cap, hex-hd, S, cd or zn-pltd, $\frac{3}{8}$ - 16NC-2 x $\frac{3}{8}$. | ea | 1 |
| H-1 | H001-7025741 | 120382 | ----- | ----- | WASHER, lock, med, S, cd or zn-pltd, $\frac{3}{8}$ in. | ea | 1 |
| G-9 | ----- | ----- | AL-X847 | 06-1, 2 | TERMINAL, armature cable | ea | 1 |
| G-9 | G503-7703783 | 7703783 | WO-A1603 FM-GPW10216 AL-X959 | 06-1, 2 | TERMINAL, field cable | ea | 1 |
| G-9 | G121-0442947 | ----- | WO-A1608 FM-GPW10218 AL-GT78 | 06-1, 2 | WASHER, drive end bearing, outer (felt) | ea | 1 |
| M-5 | G121-0442945 | ----- | WO-A1646 FM-GPW-10122 AL-DH7 | 06-1 | WASHER, felt, $\frac{3}{4}$ x $1\frac{1}{16}$ x $\frac{1}{8}$ (commutator end head bearing, inner) (for GENERATORS AL- GEG5002D and AL-GEG5001A). | ea | 1 |
| M-5 | G085-2341480 | ----- | WO-A1624 FM-GPW10116 AL-GAU31 | 06-1, 2 | WASHER, felt, $1\frac{1}{16}$ x $1\frac{1}{16}$ x $\frac{1}{8}$ (drive end head bearing, inner). | ea | 1 |
| H-1 | H001-7043681 | 120392 | WO-A1644 FM-78-10212A | ----- | WASHER, plain, SAE std, S, cd or zn-pltd, $\frac{1}{4}$ in. (armature terminal). | ----- | ----- |
| M-5 | G121-0205450 | ----- | AL-DA-39 | 06-1, 2 | WASHER, plain, S, $\frac{3}{16}$ ID, 1.570 OD, 0.020 thk (generator drive end head bearing oil retaining felt washer). | ea | 1 |
| M-5 | G121-0442944 | A308239 | AL-DA22 WO-A1621 FM-356208S7 | 06-1 | WASHER, retaining, commutator end bearing (plain, S, cd-pltd, $\frac{1}{4}$ ID, $\frac{3}{16}$ OD) (for GENER- ATOR AL-GEG5002D only). | ea | 1 |
| M-5 | G509-5308240 | A308240 | AL-DA60 WO-A1623 FM-355260S7 | 06-1 | SCREW, cap, hex-hd, S, cd-pltd, $\frac{1}{4}$ -28NF-2 x $\frac{3}{8}$. | ea | 1 |
| H-1 | H001-7025681 | 120380 | ----- | 06-1 | WASHER, lock, med, S, cd or zn-pltd, $\frac{1}{4}$ in. | ea | 1 |
| M-5 | G505-7701926 | 7701926 | AL-GAR73 WO-A1785 FM-GPW10147 | 06-2 | WICK, oil, commutator end | ea | 1 |

0601.3—GENERATOR (12-VOLT)

(For VEHICLES modified by MWO ORD
G-503-W7)

| | | | | | | | |
|------|--------------|-----------|-------------|------|---------------------------------------------------------------------------|----|---|
| G-9 | | | AL-GBY34 | 06-3 | ARM, brush (See HOLDER)----- | ea | 4 |
| G-9 | G502-0110521 | 7016452 | AL-GDJ2065F | 06-3 | ARMATURE, assy----- | ea | 1 |
| G-9 | G502-7016453 | 7016453 | AL-GBD24B | 06-3 | BAND, cover, commutator end head----- | ea | 1 |
| H-1 | H001-4139681 | 120611 | | | NUT, mach screw, sq, S, cd or zn-pltd, No. 10-32NF-2. | ea | 1 |
| H-1 | H101-0132926 | 132926 | | | SCREW, mach, rd-hd, S, cd or zn-pltd, No. 10-32NF-2 x 1¼. | ea | 1 |
| H-12 | H012-1313025 | 700121 | | 06-3 | BEARING, ball, No. 25BC02P (armature shaft commutator end). | ea | 1 |
| H-12 | H012-1301025 | 700559 | | 06-3 | BEARING, ball, No. 25BL03 (armature shaft drive end). | ea | 1 |
| | | 7721596 | | | BRACE----- | ea | 1 |
| | | 7713385 | | | BOLT, hex-hd, S, ½-18NC-2 x 0.80----- | ea | 1 |
| H-1 | H001-4167541 | 120376 | | | NUT, hex, light, s-fin, S, cd or zn-pltd, ½-18NC-2. | ea | 1 |
| H-1 | H101-0115729 | 115729 | | | NUT, hex, phos-ctd, s-fin, S, ½-24NF-2 | ea | 1 |
| H-1 | H001-5420605 | 120248 | | | SCREW, cap, hex-hd, S, phos-ctd, ⅜-16NC-3 x 1¼. | ea | 1 |
| H-1 | H001-7025711 | 120214 | | | WASHER, lock, med, S, cd or zn-pltd, ⅙ in. | ea | 1 |
| H-1 | H001-7025745 | 115093 | | | WASHER, lock, med, S, phos-ctd, ⅜ in. | ea | 1 |
| H-1 | H001-7045595 | 118666 | | | WASHER, plain, US std, S, phos-ctd, ⅜ in. | ea | 1 |
| H-1 | H001-7045561 | 120387 | | | WASHER, plain, US std, S, cd or zn-pltd, ⅙ in. | ea | 1 |
| | | 7713395 | | | BRACKET, brace----- | ea | 1 |
| | | 7713399 | | | NUT, shoulder, hex, ⅙-20NF-3, 0.93 across flats. | ea | 2 |
| G-9 | G505-5175240 | A175240 | AL-GDJ2012S | 06-3 | BRUSH, assy----- | ea | 2 |
| G-9 | G502-6167602 | B167602 | AL-GDJ1005 | | COIL, field, assy----- | ea | 1 |
| G-9 | G502-6167605 | B167605 | AL-GDJ1008 | | COIL, field, lower, left, assy----- | ea | 1 |
| G-9 | G502-6167606 | B167606 | AL-GDJ1009 | | COIL, field, lower, right, assy----- | ea | 1 |
| G-9 | G502-6167603 | B167603 | AL-GDJ1007 | | COIL, field, upper, left, assy----- | ea | 1 |
| G-9 | G502-6167607 | B167607 | AL-GDJ1010 | | COIL, field, upper, right, assy----- | ea | 1 |
| G-9 | G507-5175283 | A175283 | AL-GDJ63A | 06-3 | COVER, commutator and head bearing----- | ea | 1 |
| H-1 | H001-5127331 | 132105 | | 06-3 | SCREW, mach, fil-hd, S, cd or zn-pltd, No. 10-32NF-2 x ⅜. | ea | 2 |
| H-1 | H001-7025621 | 120217 | | | WASHER, lock, med, S, cd or zn-pltd, No. 10 | ea | 2 |
| G-9 | G502-5175377 | A175377 | AL-X394 | 06-3 | CUP oil, drive end bearing----- | ea | 1 |
| K-3 | 45-C-9272 | 113702 | | | CUP, oil, S, hinge lid type, stght, ¼ in. drive (commutator end bearing). | ea | 1 |
| | | 45-C-9272 | | | | | |
| G-9 | 2980-SP443 | | AL-SP443 | 06-3 | FAN, ventilating----- | ea | 1 |
| H-1 | H001-0518015 | 106750 | | 06-3 | KEY, Woodruff, S, ⅝ x ⅝ (No. 505 or 6)----- | ea | 1 |

| (1) NOTE SYMBOL | (2) STOCK NO. | (3) ORDNANCE PART NO. | (4) MFR'S PART NO | (5) FIGURE NO. | (6) NOMENCLATURE | (7) UNIT OF MEAS- URE | (8) QUAN- TITY PER UNIT ASSEM- BLY |
|---------------------------------------------|------------------|-----------------------------|----------------------|-------------------|-------------------------------------------------------------------------------------------------------|-----------------------------------|------------------------------------------------------|
| GROUP 06—ELECTRICAL SYSTEM—Continued | | | | | | | |
| 0601.3—GENERATOR (12-VOLT)—Continued | | | | | | | |
| G-9 | ----- | ----- | AL-GDJ2109 | 06-3 | FRAME, w/fields COILS assy----- | ea | 1 |
| G-9 | G502-5175280 | A175280 | AL-GDJ27 | 06-3 | GASKET commutator end head cover----- | ea | 1 |
| G-9 | G502-6167578 | B167578 | AL-GBC50 | 06-3 | GASKET drive end bearing retainer----- | ea | 1 |
| G-9 | G503-7713901 | 7713901 | AL-GDJ4808 | ----- | GENERATOR assy (12-volt)----- | ea | 1 |
| G-9 | G503-7713899 | 7713899 | ----- | ----- | BOLT shoulder, hex-hd, S, $\frac{3}{8}$ -24NF-2, $\frac{3}{4}$ across flats, 2.42 overall (front). | ea | 1 |
| G-9 | G503-7713900 | 7713900 | ----- | ----- | BOLT, shoulder, hex-hd, S, $\frac{3}{8}$ -24NF-2, $\frac{3}{4}$ across flats, 2.55 overall (rear). | ea | 1 |
| H-1 | H001-4167605 | 114942 | ----- | ----- | NUT, hex, light, s-fin, S, phos-ctd, $\frac{3}{8}$ -24NF-2 | ea | 2 |
| G-9 | G503-7713401 | 7713401 | ----- | ----- | WASHER, flat, S, 0.40 ID, 1.12 OD, 0.0897 thk. | ea | 2 |
| H-1 | H001-7025745 | 115093 | ----- | ----- | WASHER, lock, med, S, phos-ctd, $\frac{3}{8}$ in | ea | 2 |
| H-1 | H101-0118668 | 118668 | ----- | ----- | WASHER, plain, US std, S, phos-ctd, $\frac{1}{2}$ in | ea | 2 |
| G-9 | G502-0340221 | 7016455 | AL-GDJ2074 | 06-3 | HEAD, commutator end, w/BRUSHES, assy----- | ea | 1 |
| H-1 | H101-0132128 | 132128 | ----- | 06-3 | SCREW, mach, fil-hd, S, cd or zn-pltd, No. 10-32NF-2 x $\frac{3}{8}$. | ea | 6 |
| H-1 | H001-7025621 | 120217 | ----- | ----- | WASHER, lock, med, S, cd or zn-pltd, No. 10 | ea | 6 |
| G-9 | G502-0211410 | ----- | AL-GDJ1073 | ----- | HEAD, drive end, assy (Superseded by HEAD AL-DGJ73). | ea | 1 |
| G-9 | 2980-GDJ73 | 7016456 | AL-GDJ73 | 06-3 | HEAD, drive end, assy----- | ea | 1 |
| H-1 | H101-0132128 | 132128 | ----- | 06-3 | SCREW, mach, fil-hd, S, cd or zn-pltd, No. 10-32NF-2 x $\frac{3}{8}$. | ea | 6 |
| H-1 | H001-7025621 | 120217 | ----- | ----- | WASHER, lock, med, S, cd or zn-pltd, No. 10 | ea | 6 |
| G-9 | G502-6167570 | B167570 | AL-GBY34 | ----- | HOLDER, brush----- | ea | 4 |
| M-5 | G502-7702478 | 7702478 | AL-GDJ66 | ----- | INSULATOR, armature term. post, bottom | ea | 1 |
| G-9 | G502-5175282 | A175282 | AL-GCY28 | ----- | INSULATOR, bushing type, armature terminal | ea | 1 |
| G-9 | G502-5175281 | A175281 | AL-GCY27 | ----- | INSULATOR, bushing type, field terminal | ea | 1 |
| G-9 | G502-6167569 | B167569 | AL-GBG30 | ----- | INSULATOR, field connection----- | ea | 1 |
| G-9 | G160-0232827 | ----- | AL-GDJ68 | ----- | INSULATOR, field terminal post----- | ea | 1 |
| G-9 | G505-7702730 | 7702730 | AL-GDJ67 | ----- | INSULATOR, field terminal post, bottom | ea | 1 |
| G-9 | ----- | ----- | AL-MBD145 | ----- | INSULATOR, washer type----- | ea | 1 |
| G-9 | G502-6167571 | B167571 | AL-MU36 | ----- | INSULATOR, washer type, armature terminal | ea | 1 |
| G-9 | G502-6167581 | B167581 | AL-GBF55 | ----- | INSULATOR, washer type, field coil terminal | ea | 1 |
| G-9 | ----- | ----- | AL-GDJ38 | ----- | INSULATOR, washer type, housing----- | ea | 4 |
| H-1 | H001-4167561 | 120368 | ----- | ----- | NUT, hex, light, s-fin, S, cd or zn-pltd, $\frac{3}{16}$ -24NF-2 (armature terminal). | ea | 3 |

| | | | | | | | |
|-----|--------------|---------|------------|------|----------------------------------------------------------------------------------------------------------------------------|----|---|
| H-1 | H001-4135681 | 120614 | | | NUT, mach, screw, hex, S, cd or zn-pltd, No. 10-32NF-2 (field terminal). | ea | 1 |
| G-9 | G502-0342415 | | AL-GDJ36 | | POST, terminal, armature lead. | ea | 1 |
| G-9 | G502-0398792 | | AL-GDJ37 | | POST, terminal, field lead. | ea | 1 |
| | G503-7713902 | 7713902 | | | PULLEY, drive. | ea | 1 |
| H-1 | H001-0518017 | 103906 | | 06-3 | KEY, Woodruff, S, $\frac{1}{2} \times \frac{3}{4}$ (No. 506 or 8). | ea | 1 |
| H-1 | H001-4167681 | 120371 | | 06-3 | NUT, hex, light, s-fin, S, cd or zn-pltd, $\frac{1}{2}$ -20NF-2. | ea | 1 |
| H-1 | H001-7023811 | 120239 | | 06-3 | WASHER, lock, light, S, cd or zn-pltd, $\frac{1}{2}$ in. | ea | 1 |
| H-1 | H001-7045651 | 120390 | | 06-3 | WASHER, plain, US std, S, cd or zn-pltd, $\frac{1}{2}$ in. | ea | 1 |
| G-9 | | | AL-GBG56 | | RETAINER, drive end bearing (Superseded by RETAINER AL-GBG1056.) | ea | 1 |
| G-9 | G502-6167610 | B167610 | AL-GBG1056 | 06-3 | RETAINER, drive end bearing. | ea | 1 |
| H-1 | H101-0132128 | 132128 | | 06-3 | SCREW, mach, fil-hd, S, cd or zn-pltd, No. 10-32 NF-2 x $\frac{3}{8}$. | ea | 4 |
| H-1 | H001-7025621 | 120217 | | | WASHER, lock, med, S, cd or zn-pltd, No. 10. | ea | 4 |
| G-9 | G502-6167583 | B167583 | AL-GBJ57 | | RETAINER, drive end bearing felt washer. | ea | 1 |
| G-9 | | | AL-GBG81 | 06-3 | RING, snap, armature shaft. | ea | 1 |
| H-1 | H001-5147511 | 122159 | | | SCREW, mach, rd-hd, S, cd or zn-pltd, No. 8-32NC-2 x $\frac{1}{4}$ (brush ground). | ea | 1 |
| H-1 | H001-5148821 | 121540 | | | SCREW, mach, rd-hd, S, cd or zn-pltd, No. 10-32NF-2 x $\frac{1}{16}$ (field ground). | ea | 1 |
| G-9 | G502-6167573 | B167573 | AL-GBG38 | | SCREW, pole piece. | ea | 4 |
| G-9 | G067-0905370 | B167577 | AL-GBG49 | 06-3 | SPACER, armature. | ea | 2 |
| | | 771338C | | | SPACER, brace. | ea | 1 |
| | | 7713903 | | | SPACER, front end plate. | ea | 1 |
| M-5 | G507-6167579 | B167579 | AL-GCE53 | 06-3 | SPRING, brush. | ea | 4 |
| | | 7713391 | | | SUPPORT, assy. | ea | 1 |
| H-4 | H004-0367572 | B167565 | AL-GBG26 | | TERMINAL, cable, solder, roll, dble-ear, offset, bn Tnd, 0.032 in. thick, No. 16-14 AWG cable, 0.20 sq. hole (field coil). | ea | 1 |
| G-9 | G502-6167587 | B167587 | AL-GBG66 | 06-3 | WASHER, commutator end bearing retainer. | ea | 1 |
| M-5 | G507-5308240 | A308240 | AL-DA60 | 06-3 | SCREW, cap, hex-hd, S, cd-pltd, $\frac{1}{4}$ -28NF-2 x $\frac{3}{8}$. | ea | 1 |
| H-1 | H001-7025681 | 120380 | | 06-3 | WASHER, lock, med, S, cd or zn-pltd, $\frac{1}{4}$ in. | ea | 1 |
| G-9 | G502-6167555 | B167555 | AL-GDJ24 | 06-3 | WASHER, felt, commutator and head (oil seal). | ea | 1 |
| G-9 | G502-6167584 | B167584 | AL-GBG58 | 06-3 | WASHER, drive end (felt). | ea | 2 |
| H-1 | H001-7017651 | 138485 | | | WASHER, lock, ext-teeth, reg, S, cd or zn-pltd, $\frac{1}{16}$ in. (armature terminal nut). | ea | 1 |
| H-1 | H001-7045561 | 120387 | | | WASHER, plain, US std, S, cd or zn-pltd, $\frac{1}{16}$ in. (armature terminal post nut). | ea | 1 |
| H-1 | H001-7017591 | 138479 | | | WASHER, lock, ext-teeth, reg, S, cd or zn-pltd, No. 10 (generator field terminal). | ea | 1 |
| H-1 | H001-7043621 | 120391 | | | WASHER, plain, SAE, std, S, cd or zn-pltd, No. 10 (field terminal post nut). | ea | 1 |

| (1) NOTE SYMBOL | (2) STOCK NO. | (3) ORDNANCE PART NO. | (4) MFR'S PART NO. | (5) FIGURE NO | (6) NOMENCLATURE | (7) UNIT OF MEAS- URE | (8) QUAN- TITY PER UNIT ASSEM- BLY |
|---------------------------------------------|------------------|-----------------------------|----------------------------------------|------------------|-----------------------------------------------------------------------|-----------------------------------|------------------------------------------------------|
| GROUP 06—ELECTRICAL SYSTEM—Continued | | | | | | | |
| 0601.3—GENERATOR (12-VOLT)—Continued | | | | | | | |
| G-9 | G502-6167576 | B167576 | AL-GCE40 | 06-3 | WASHER, felt, plain 1.390 ID x 2.0405 OD, 0.20 thk. (commutator end). | ea | 2 |
| G-9 | G502-6167562 | B167562 | AL-GDJ23 | 06-3 | WASHER, spring, commutator end..... | ea | 1 |
| 0602.1—GENERATOR REGULATOR (6-VOLT) | | | | | | | |
| M-5 | G502-7702739 | 7702739 | AL-VRY1043 WO-A7800 FM-GPW10540 | ----- | ARMATURE, circuit breaker, assy..... | ea | 1 |
| M-5 | ----- | ----- | AL-VRY10613 WO-A7808 FM-GPW10455 | ----- | ARMATURE, current regulator, assy..... | ea | 1 |
| M-5 | ----- | ----- | AL-VRY1080B WO-A7809 FM-GPW10551 | ----- | ARMATURE, voltage regulator, assy..... | ea | 1 |
| G-9 | G507-7702613 | 7702613 | AL-VRA1060 WO-A7807 | 06-4 | BRACKET, adjusting, current and voltage regulator coil, assy. | ea | 2 |
| H-1 | H101-0131966 | 131966 | ----- | ----- | SCREW, mach, fil-hd, S, cd or zn-pltd, No. 8-32NC-2 x 7/16. | ea | 4 |
| H-1 | H001-5125821 | 131958 | ----- | 06-4 | SCREW, mach, fil-hd, S, cd or zn-pltd, No. 8-32NC-2 x 7/16. | ea | 8 |
| H-1 | H001-7025591 | 121841 | ----- | ----- | WASHER, lock, med, S, cd or zn-pltd, No. 8. | ea | 12 |
| H-1 | H001-7043591 | 131015 | ----- | 06-4 | WASHER, plain, SAE, std, S, cd or zn-pltd, No. 8. | ea | 8 |
| G-9 | ----- | ----- | AL-VRA67 WO-A8322 | ----- | BRACKET, mounting, resistance..... | ea | 1 |
| M-5 | G502-7703778 | 7703778 | AL-VRH1073 WO-A7801 FM-GPW10536 | 06-4 | BRACKET, stationary circuit breaker w/CONTACT assy. | ea | 1 |
| H-1 | H101-0131966 | 131966 | ----- | ----- | SCREW, mach, fil-hd, S, cd or zn-pltd, No. 8-32NC-2 x 7/16. | ea | 1 |
| H-1 | H001-5125821 | 131958 | ----- | ----- | SCREW, mach, fil-hd, S, cd or zn-pltd, No. 8-32NC-2 x 7/16. | ea | 2 |
| H-1 | H001-7025591 | 121841 | ----- | ----- | WASHER, lock, med, S, cd or zn-pltd, No. 8. | ea | 6 |

| | | | | | | | |
|-----|--------------|---------|-------------------------------------|-------|---------------------------------------------------------------------------------------------|----|---|
| H-1 | H001-7043591 | 131015 | ----- | ----- | WASHER, plain, SAE, std, S, cd or zn-pltd, No. 8. | ea | 1 |
| G-9 | G502-0139775 | ----- | AL-VRY3035 WO-A9044 | 06-4 | BREAKER, circuit, assy----- | ea | 1 |
| G-9 | 9680-A17282 | ----- | WO-A17282 FM-GPW14471B | ----- | CABLE, filter capacitor to battery term----- | ea | 2 |
| G-9 | G507-7702609 | 7702609 | AL-VRH26 WO-A8997 | ----- | CABLE, voltage regulator armature bar----- | ea | 1 |
| H-1 | H001-5148831 | 132908 | ----- | 06-4 | SCREW, mach, rd-hd, S, cd or zn-pltd, No. 10-32NF-2 x 1/2. | ea | 1 |
| G-9 | ----- | ----- | AL-VRA46 WO-A9052 | ----- | CONNECTOR, bar, series coil----- | ea | 1 |
| H-1 | H001-4135681 | 120614 | ----- | ----- | NUT, mach screw, hex, S, cd or zn-pltd, No. 10-32NF-2. | ea | 1 |
| M-5 | G154-0140096 | A346792 | AL-VRA1002 WO-A9042 | 06-4 | COVER----- | ea | 1 |
| H-1 | H001-4026501 | 220069 | ----- | 06-4 | NUT, hex, reg, s-fin, S, cd or zn-pltd, 1/4-20NC-2. | ea | 2 |
| H-1 | H001-7025681 | 120380 | ----- | 06-4 | WASHER, lock, med, S, cd or zn-pltd, 1/4 in. | ea | 2 |
| H-1 | H001-7043681 | 120392 | ----- | ----- | WASHER, plain, SAE, std, S, cd or zn-pltd, 1/4 in. | ea | 2 |
| G-9 | G104-1842779 | A346794 | AL-VRA109 WO-A9043 | 06-4 | WASHER, ru, 1/4 ID----- | ea | 2 |
| M-5 | G507-7702476 | 7702476 | AL-VRA50 WO-A9046 FM-GPW10623 | 06-4 | GASKET, cover (for REGULATOR AL-VRY-4203B). | ea | 1 |
| G-9 | G502-7010671 | 701671 | AL-VRH50 | ----- | GASKET, cover (for REGULATORS AL-VRY4203C, AL-VRY4203D, AL-VRY4203F, and AL-VRY4203G) | ea | 1 |
| G-9 | G507-7702479 | 7702479 | AL-VRA51 WO-A9047 FM-GPW10564 | 06-4 | GASKET, terminal (for REGULATORS AL-VRY4203A, AL-VRY4203B). | ea | 1 |
| M-5 | ----- | ----- | AL-VRA76 WO-A7799 FM-GPW10636 | 06-4 | INSULATOR, circuit breaker stationary bracket. | ea | 1 |
| G-9 | G507-7702475 | 7702475 | AL-VRA52 WO-A9048 | 06-4 | INSULATOR, regulator terminal----- | ea | 1 |
| M-5 | G507-7702474 | 7702474 | AL-GAA35 WO-A7795 FM-GPW10544 | ----- | INSULATOR, washer type, 0.187 ID x 0.250 OD x 1/2 thk (circuit breaker stationary bracket). | ea | 2 |
| M-5 | G507-7702642 | 7702642 | AL-X1465 WO-A7804 FM-GPW10577 | ----- | INSULATOR, washer type, 1/4 ID x 3/8 OD x 1/2 thk (circuit breaker stationary bracket). | ea | 2 |
| M-5 | G507-7702608 | 7702608 | AL-VRA15 WO-A7796 FM-GPW10532 | ----- | NUT, knurled, br, No. 10-48NS (voltage regulator adjusting screw). | ea | 3 |

| (1) NOTE SYMBOL | (2) STOCK NO. | (3) ORDNANCE PART NO. | (4) MFR'S PART NO. | (5) FIGURE NO. | (6) NOMENCLATURE | (7) UNIT OF MEAS- URE | (8) QUAN- TITY PER UNIT ASSEM- BLY |
|------------------------------------------------------|------------------|-----------------------------|----------------------------------------------------------------------------------------------------|-------------------|-------------------------------------------------------------------------------------|-----------------------------------|------------------------------------------------------|
| GROUP 06—ELECTRICAL SYSTEM—Continued | | | | | | | |
| 0602.1—GENERATOR REGULATOR (6-VOLT)—Continued | | | | | | | |
| G-9 | G502-0139776 | ----- | AL-VRY3070D WO-A9051 | 06-4 | REGULATOR, current, assy----- | ea | 1 |
| M-5 | G121-0367250 | ----- | AL-VRY4203A AL-VRY4203B AL-VRY4203C AL-VRY4203D AL-VRY4203F WO-A1409 FM-GPW10505 | ----- | REGULATOR, generator, assy (6-volt) (Super- seded by REGULATOR AL-VRY4203G). | ea | 1 |
| G-9 | G540-7337495 | 7337495 | AL-VRY4203G WO-A15255 FM-GPW10505C | ----- | REGULATOR, generator, assy (6-volt)----- | ea | 1 |
| H-1 | H101-0215411 | 215411 | ----- | ----- | SCREW, cap, hex-hd, S, cd or zn-pltd, $\frac{5}{16}$ - 24NF-2 x $1\frac{1}{4}$. | ea | 2 |
| H-1 | H001-7025711 | 120214 | ----- | ----- | WASHER, lock, med, S, cd or zn-pltd, $\frac{5}{16}$ in. | ea | 4 |
| H-1 | H001-7043711 | 120393 | ----- | ----- | WASHER, plain, SAE std, S, cd or zn-pltd, $\frac{5}{16}$ in. | ea | 2 |
| H-1 | H001-7045561 | 120387 | ----- | ----- | WASHER, plain, US std, S, cd or zn-pltd, $\frac{5}{16}$ in. | ea | 2 |
| G-9 | G502-0139777 | ----- | AL-VRY3071B WO-A9049 | 06-4 | REGULATOR, voltage, assy----- | ea | 1 |
| G-9 | ----- | ----- | AL-8X1055 WO-A9053 | ----- | NUT, mach screw, hex, S, cd-pltd, $\frac{1}{4}$ -28- NF-2. | ea | 3 |
| H-1 | H001-7025681 | 120380 | ----- | ----- | WASHER, lock, med, S, cd or zn-pltd, $\frac{1}{4}$ in. | ea | 3 |
| M-5 | G507-0367616 | ----- | AL-TC51U WO-A5256 | ----- | RESISTOR, carbon (7 ohms)----- | ea | 1 |
| M-5 | G507-0367615 | A346791 | AL-TC51N WO-A9054 FM-GPW10594 | ----- | RESISTOR, carbon (80 ohms)----- | ea | 2 |
| H-1 | H001-5147531 | 121832 | ----- | ----- | SCREW, mach, rd-hd, S, cd or zn-pltd, No. 8-32NC-2 x $\frac{3}{8}$. | ea | 6 |
| H-1 | H001-7025591 | 121841 | ----- | ----- | WASHER, lock, med, S, cd or zn-pltd, No. 8. | ea | 6 |
| H-1 | H001-7043591 | 131015 | ----- | ----- | WASHER, plain, SAE std, S, cd or zn-pltd, No. 8. | ea | 6 |

| | | | | | | | |
|---------------------------------------------|--------------|---------|-------------------------------------|------|----------------------------------------------------------------------------------------------------------|----|----|
| G-9 | | | AL-8X137 WO-A9050 FM-355427S7 | 06-4 | SCREW, mach, oval fil-hd, S, cd-pltd, 5/16-18NC-2 x 1/2 (terminal). | ea | 3 |
| H-1 | H001-7025711 | 120214 | | | WASHER, lock, med, S, cd or zn-pltd, 5/16 in. | ea | 3 |
| M-5 | G502-7702665 | 7702665 | AL-VRA16 WO-A7797 FM-GPW10523 | | SCREW, regulator adjusting (special, mach, br, No. 10-18NS-2 x 1 1/2). | ea | 3 |
| H-1 | H101-5148821 | 121540 | | 06-4 | SCREW, mach, rd-hd, S, cd or zn-pltd, No. 10-32NF-2 x 5/16 (ground (1) and voltage regulator cable (2)). | ea | 3 |
| H-1 | H001-5148851 | 132908 | | 06-4 | SCREW, mach, rd-hd, S, cd or zn-pltd, No. 10-32NF-2 x 1/2 (base mounting (6), cable (1)). | ea | 7 |
| G-9 | G507-7702666 | 7702666 | AL-GAG108 WO-A8 98 | | SEAL, cable | ea | 1 |
| M-5 | G507-7702645 | 7702645 | AL-VRA84 WO-A780 FM-GPW10554 | | SPRING, current and voltage regulator armature | ea | 2 |
| M-5 | G507-7702646 | 7702646 | AL-VRA17 WO-A7798 | | SPRING (circuit breaker armature) | ea | 1 |
| H-1 | H001-7025621 | 120217 | | | WASHER, lock, med, S, cd or zn-pltd, No. 10 (base mounting (6) ground (1) cables (4)). | ea | 11 |
| H-1 | H001-7043621 | 120091 | | 06-4 | WASHER, plain, SAE, std, S, cd or zn-pltd, No. 10 (base mounting (6) ground (1) cable (4)). | ea | 11 |
| 0602.3-GENERATOR REGULATOR (12-VOLT) | | | | | | | |
| M-5 | G502-7702739 | 7702739 | AL-VRY1043 FM-GPW10540 | | ARMATURE, circuit breaker, assy | ea | 1 |
| G-9 | | | AL-VRH1061 FM-GPA10455 | | ARMATURE, current regulator, w/CONTACT, assy. | ea | 1 |
| G-9 | | | AL-VRH1080 FM-GPA10551 | | ARMATURE, voltage regulator, assy | ea | 1 |
| M-5 | G502-7703778 | 7703778 | AL-VRH1073 FM-GPA10536 | 06-4 | BRACKET, stationary, circuit breaker, w/CONTACT, assy. | ea | 1 |
| G-9 | G502-7001046 | 7001046 | AL-VRH3035 FM-GPW10502 | | EAKER, BRcircuit, assy | ea | 1 |
| G-9 | 9680-A17282 | | WO-A17282 FM-GPW14471B | | CABLE, filter capacitor to battery and field terminals. | ea | 2 |
| M-5 | | | AL-VRA23 AL-VRA76 FM-GPW10636 | | INSULATOR, circuit breaker (stationary contact bracket). | ea | 1 |
| M-5 | G507-7702474 | 7702474 | AL-GAA35 FM-GPW10544 | | INSULATOR, washer type, 0.187 in. ID, 0.250 in. OD, 1/32 thk (circuit breaker contact bracket). | ea | 1 |
| M-5 | G507-7702642 | 7702642 | AL-X1465 FM-GPW10577 | | INSULATOR, washer type, 1 1/4 in ID, 3/8 in. OD, 1/32 in thk (circuit breaker contact bracket). | ea | 3 |
| G-9 | G502-7702535 | 7702535 | AL-VHR3008 | | REGULATOR, current, assy | ea | 1 |

| (1) NOTE SYMBOL | (2) STOCK NO. | (3) ORDNANCE PART NO. | (4) MFR'S PART NO. | (5) FIGURE NO. | (6) NOMENCLATURE | (7) UNIT OF MEAS- URE | (8) QUAN- TITY PER UNIT ASSEM- BLY |
|-------------------------------------------------------|------------------|-----------------------------|-------------------------------------|-------------------|-------------------------------------------------------------------------------------------------------------------------------------------------|-----------------------------------|------------------------------------------------------|
| GROUP 06—ELECTRICAL SYSTEM—Continued | | | | | | | |
| 0602.3—GENERATOR REGULATOR (12-VOLT)—Continued | | | | | | | |
| G-9 | G507-5618349 | C118349 | AL-VRH4101C FM-GPA10505 | ----- | REGULATOR, generator, assy----- | ea | 1 |
| G-9 | G502-7702662 | 7702662 | AL-VRH3071 FM-GPW10519B | ----- | REGULATOR, voltage, assy----- | ea | 1 |
| G-9 | G502-5346490 | A346490 | AL-TC51A FM-GPA10594A | ----- | RESISTOR, carbon, 1 ohm----- | ea | 1 |
| M-5 | G507-0367616 | ----- | WO-A5256 FM-GPW10570 | ----- | RESISTOR, carbon, 7 ohm----- | ea | 1 |
| G-9 | G502-7702663 | 7702663 | AL-TC51J FM-GPA10594B | ----- | RESISTOR, carbon, 15 ohm----- | ea | 1 |
| G-9 | G502-7702664 | 7702664 | AL-TC51L FM-GPA10570 | ----- | RESISTOR, carbon, 30 ohm----- | ea | 1 |
| M-5 | G507-0367615 | A346791 | AL-TC51N WO-A9054 FM-GPW10594 | ----- | RESISTOR, carbon, 80 ohm----- | ea | 2 |
| M-5 | G502-7702665 | 7702665 | AL-VRA16 WO-A7797 FM-GPW10523 | ----- | SCREW, mach, br, No. 10-48NS-2 x 1/2 (adjust- ing, circuit breaker, current and voltage regu- lators). | ea | 3 |
| M-5 | G507-7702608 | 7702608 | AL-VRA15 WO-A7796 FM-GPW10532 | ----- | NUT, knurled, br, No. 10-48NS-2----- | ea | 3 |
| G-9 | ----- | ----- | AL-8X888 | ----- | SCREW, mach, fil-hd, S, cd or zn-pltd, No. 8- 32NC-2 x 3/16 (circuit breaker contact bracket). | ea | 2 |
| H-1 | H101-0131966 | 131966 | ----- | ----- | SCREW, mach, fil-hd, S, cd or zn-pltd, No. 8- 32NC-2 x 3/16 (adjusting current regulator, voltage regulator and circuit breaker bracket). | ea | 6 |
| H-1 | H001-1518004 | 106496 | ----- | ----- | WASHER, lock, med, S, No. 8----- | ea | 6 |
| H-1 | H001-7043591 | 131015 | ----- | ----- | WASHER, plain, SAE, std, S, cd or zn-pltd, No. 8. | ea | 6 |
| M-5 | G507-7702646 | 7702646 | AL-VRA17 FM-GPW10528 | ----- | SPRING (current regulator and circuit breaker armature). | ea | 2 |
| M-5 | G507-7702645 | 7702645 | AL-VRA84 FM-GPW10554 | ----- | SPRING, voltage regulator armature----- | ea | 1 |

0603—STARTER AND SWITCHES

| | | | | | | | |
|-----|---------------|----------|-------------------------------------------------------|------|--------------------------------------------------------------------------------------------------------|----|---|
| M-5 | 2980-MZ2089 | | AL-MZ2089 WO-A1568 FM-GPW11005 | 06-5 | ARMATURE, assy----- | ea | 1 |
| G-9 | G505-0131799 | | AL-MZ24A | | BAND, cover, commutator end head, assy (for STARTER AL-MZ4124). | ea | 1 |
| M-5 | 2980-MZ-1024 | | AL-MZ1024 WO-109452 FM-GPW11077 | 06-5 | BAND, cover, commutator, assy (for STARTER AL-MZ4311). | ea | 1 |
| H-1 | H001-4139681 | 120611 | | | NUT, mach screw, sq, S, cd or zn-pltd, No. 10-32NF-2. | ea | 1 |
| H-1 | H101-0221102 | 221102 | | | SCREW, mach, rd-hd, header pt, cd or zn-pltd, No. 10 32NF-2 x 1 1/4. | ea | 1 |
| M-5 | G503-6167645 | B167645 | AL-MG77A WO-A1583 FM-GPW1395 FM-GPW11155 | | BEARING, bushing type, abs-bz, 0626 ID, 7535 OD, 0735 width (commutator end and intermediate bearing). | ea | 2 |
| M-5 | G503-6167661 | B167661 | AL-MAB2040A WO-A1582 FM-GPW11130 FM-GPW11394 | 06-5 | BEARING, intermediate, w/PLATE, assy----- | ea | 1 |
| M-5 | 3320-GPW11134 | | WO-639734 FM-GPW11134 | | BEARING, bushing type, starter drive end (in fly wheel housing). | ea | 1 |
| G-9 | G503-7744463 | 7744463 | AL-MZ1034A | | BRUSH, grounded, assy (for STARTER AL-MZ4124). | ea | 2 |
| M-5 | G505-6167640 | B167640 | AL-MZ1034 WO-109446 FM-GPW11056 | 06-5 | BRUSH, grounded, assy (for STARTER AL-MZ4113). | ea | 2 |
| M-5 | G503-7444101 | 77444101 | AL-MZ12 AL-MZ12A WO-109431 FM-GPW11055 | 06-5 | BRUSH, insulated, assy (for STARTER AL-MZ4113). | ea | 2 |
| G-9 | 9680-A17282 | | WO-A17282 FM-GPW14471B | | CABLE, capacitor switch, assy----- | ea | 1 |
| G-9 | 3320-GPW14431 | | WO-1454 FM-GPW14431 | | CABLE, switch to stater, w/TERMINALS, assy-- | ea | 1 |
| M-5 | 2980-MZ1009B | | AL-MZ1009B WO-A1562 FM-GPW11082 | | COIL, field, lower left, assy (Superseded by COIL AL-MZ1009). | ea | 1 |
| G-9 | 2980-MZ1009 | | AL-MZ1009 WO-109427 | 06-5 | COIL, field, lower left, assy----- | ea | 1 |
| M-5 | G505-0179571 | | AL-MZ1008A WO-A1561 FM-GPW10084 | | COIL, field, lower right, assy (Superseded by COIL AL-MZ1008). | ea | 1 |
| G-9 | 2980-MZ1008 | | AL-MZ1008 WO-109428 | 06-5 | COIL, field, lower right, assy----- | ea | 1 |

| (1) NOTE SYMBOL | (2) STOCK NO. | (3) ORDNANCE PART NO. | (4) MFR'S PART NO. | (5) FIGURE NO. | (6) NOMENCLATURE | (7) UNIT OF MEAS- URE | (8) QUAN- TITY PER UNIT ASSEM- BLY |
|---------------------------------------------|------------------|-----------------------------|-------------------------------------------------|-------------------|-------------------------------------------------------------------------|-----------------------------------|------------------------------------------------------|
| GROUP 06—ELECTRICAL SYSTEM—Continued | | | | | | | |
| 0603—STARTER AND SWITCHES—Continued | | | | | | | |
| M-5 | G503-7734191 | 7734191 | AL-MZ1007 WO-A1560 FM-GPW11083 | 06-5 | COIL, field, upper left, assy----- | ea | 1 |
| M-5 | G503-7324684 | 7324684 | AL-MZ1010 WO-A1563 FM-GPW11085 | 06-5 | COIL, field, upper right, assy----- | ea | 1 |
| M-5 | G505-0179982 | ----- | AL-MZ32 WO-A1558 FM-GPW11090 | 06-5 | CONNECTOR, field coil----- | ea | 1 |
| G-9 | G503-7744102 | 7744102 | AL-EBA78 | ----- | DRIVE, Bendix, assy (for STARTER AL-MZ4124) | ea | 1 |
| M-5 | 2980-EBA46 | ----- | AL-EBA46 WO-A1573 FM-GPW11350 | ----- | DRIVE, Bendix, assy (for STARTER AL-MZ4113) | ea | 1 |
| | 2980-MZ74 | ----- | AL-MZ74 ECM-A2233 | ----- | EQUALIZER, field coil (for STARTER AL-MZ4124). | ea | 1 |
| G-9 | ----- | ----- | AL-MZ2001C | ----- | FRAME, w/field COILS, assy (for STARTER AL-MZ4124). | ea | 1 |
| M-5 | G503-5215033 | A215033 | AL-EB8503 WO-A1576 FM-B11381 ECM-F2855 | 06-5 | HEAD, Bendix drive----- | ea | 1 |
| H-1 | H001-0518013 | 124546 | ----- | 06-5 | KEY, Woodruff, Ni-S, $\frac{3}{32}$ x $\frac{1}{8}$ (No. 505 or 6) | ea | 1 |
| M-5 | 2980-MZ2156 | ----- | AL-MZ2156 WO-A1566 FM-GPW11049 | 06-5 | HEAD, commutator end, w/grounded BRUSHES, assy (for STARTER AL-MZ4113). | ea | 1 |
| H-1 | H001-5127331 | 132105 | ----- | 06-5 | SCREW, mach, fil-hd, S, cd or zn-pltd, No. 10-32NF-2 x $\frac{3}{8}$. | ea | 4 |
| H-1 | H001-7025621 | 120217 | ----- | ----- | WASHER, lock, med, S, cd or zn-pltd, No. 10. | ea | 4 |
| G-9 | G503-7744283 | 7744283 | AL-MZ2156A | ----- | HEAD, commutator end, w/grounded BRUSHES, assy (for STARTER AL-MZ4124). | ea | 1 |
| G-9 | G505-6167638 | B167638 | AL-MZ16 WO-109442 FM-GPW11061 | 06-5 | HOLDER, brush----- | ea | 2 |
| M-5 | 2980-PS1079A | ----- | AL-PS1079A WO-A1585 FM-GPW11131 | 06-5 | HOUSING, pinion, Bendix drive, assy----- | ea | 1 |

| | | | | | | | |
|-----|---------------|---------|---------------------------------------------------|------|--------------------------------------------------------------------------------------------------|----|---|
| M-5 | 3320-355164S2 | | AL-MZ52 WO-A1584 FM-355164S2 | 06-5 | SCREW, hex-hd, S, No. 10-32NF-2 x $\frac{3}{16}$ --- | ea | 4 |
| H-1 | H001-7025621 | 120217 | | | WASHER, lock, med, S, cd or zn-pltd, No. 10- | ea | 1 |
| M-5 | G505-0156045 | | AL-MU31 WO-109436 FM-GPW11107 | 06-5 | INSULATOR, bushing type, field coil terminal post | ea | 1 |
| M-5 | G505-0365732 | | AL-MZ30A WO-A1557 FM-GPW11089 | 06-5 | INSULATOR, field connector----- | ea | 1 |
| M-5 | G503-6167650 | B167650 | AL-MU39 WO-109437 FM-GPW11095 | 06-5 | INSULATOR, washer type, $\frac{3}{16}$ ID, 1 OD, 0.093 thk (terminal post inner). | ea | 1 |
| M-5 | G503-6167634 | B167634 | AL-MAB31 WO-A1553 FM-GPW11094 | 06-5 | INSULATOR, washer type, 0.325 ID, $\frac{1}{16}$ OD, $\frac{1}{8}$ thk (terminal post outer). | ea | 1 |
| G-9 | G503-7341366 | 7341366 | WO-A1565 FM-355944S5 | | NUT, hex, thin, S, cop-pltd, $\frac{5}{16}$ -24NF-2 (starter switch terminal). | ea | 1 |
| G-9 | G067-1200785 | B167648 | AL-MAB88 WO-A1586 | | PIN, dowel, S, $\frac{1}{8}$ x $\frac{1}{16}$ (intermediate bearing) ---- | ea | 1 |
| M-5 | G505-0579385 | | AL-MZ29 WO-A1556 FM-GPW11120 | 06-5 | POLE, starter field coil----- | ea | 4 |
| M-5 | G505-0666927 | | AL-MZ38A WO-A1559 FM-35548557 | 06-5 | SCREW, special, fl-hd, S, cd-pltd, $\frac{3}{8}$ -16NC-2 x 0.54. | ea | 4 |
| M-5 | G503-6167636 | B167636 | AL-MU28 WO-109433 FM-GPW11103 | 06-5 | POST, terminal, field coil ($\frac{5}{16}$ -24NF-2)----- | ea | 1 |
| G-9 | G503-7341366 | 7341366 | AL-5X1376 WO-A1565 FM-355944S5 | 06-5 | NUT, thin, hex, S, cop-pltd, $\frac{5}{16}$ -24NF-2----- | ea | 2 |
| H-1 | H001-7025711 | 120214 | | 06-5 | WASHER, lock, med, S, cd or zn-pltd, $\frac{5}{16}$ in. | ea | 2 |
| M-5 | G067-6167649 | B167649 | AL-MU37 WO-A1555 FM-351355S7 | | WASHER, plain, S, cd-pltd, $\frac{3}{16}$ ID, $\frac{3}{8}$ in. OD, 042 in. thick. | ea | 2 |
| H-1 | H001-7045561 | 120387 | | 06-5 | WASHER, plain, US-std, S, cd or zn-pltd, $\frac{5}{16}$ in. | ea | 1 |
| M-5 | G503-5291275 | A291275 | AL-EB8734 WO-A1580 FM-B11371 ECM-F3120 | | RING, take-up, Bendix drive----- | ea | 1 |
| G-9 | G067-0904740 | A175246 | AL-X532 | | RIVET, tubular, S, oval-hd, $\frac{1}{8}$ x $\frac{1}{4}$ (brushes)----- | ea | 4 |
| M-5 | 2980-EB8506 | | AL-EB8506 WO-A1578 FM-GPW11377 ECM-F3004 | 06-5 | SCREW, Bendix drive spring, head end----- | ea | 1 |
| M-5 | | | | | | | |

| (1) NOTE SYMBOL | (2) STOCK NO. | (3) ORDNANCE PART NO. | (4) MFR'S PART NO. | (5) FIGURE NO. | (6) NOMENCLATURE | (7) UNIT OF MEAS- URE | (8) QUAN- TITY PER UNIT ASSEM- BLY |
|---------------------------------------------|------------------|-----------------------------|------------------------------------------------------|-------------------|---------------------------------------------------------------------|-----------------------------------|------------------------------------------------------|
| GROUP-60 ELECTRICAL SYSTEM—Continued | | | | | | | |
| 0603—STARTER AND SWITCHES—Continued | | | | | | | |
| M-5 | 2980-EB8507 | ----- | AL-EB8507 WO-A1579 FM-GPW11382 FM-GPW11378 | 06-5 | SCREW, Bendix drive spring, shaft-end----- | ea | 1 |
| G-9 | 2980-EBA4611 | ----- | AL-EBA4611 WO-A1581 FM-GPW11354 ECM-F4045 | 06-5 | SHAFT, Bendix drive, w/PINION, assy----- | ea | 1 |
| M-5 | G503-5215019 | A215019 | AL-EB7819S WO-A1575 FM-B11357A | ----- | SLEEVE, compression, Bendix drive----- | ea | 1 |
| G-9 | 2980-MZ51 | ----- | AL-MZ51 WO-A1569 FM-GPW11053 | ----- | SPACER, thrust, bearing----- | ea | 1 |
| M-5 | 2580-1848532 | ----- | AL-EB8505 WO-A1577 FM-GPW11375 ECM-F3136 | 06-5 | SPRING, Bendix drive----- | ea | 1 |
| | G067-0905560 | A215035 | AL-EB8705 | ----- | SPRING, Bendix drive (Used with STARTER 7744103). | ea | 1 |
| | G067-0904910 | A215034 | AL-EB7807 | ----- | SCREW----- | ea | 1 |
| | G067-0904880 | A215036 | AL-EB7806 | ----- | SCREW----- | ea | 1 |
| | G503-5215030 | A215030 | AL-EB108 | ----- | WASHER, lock----- | ea | 1 |
| M-5 | G507-6167639 | B167639 | AL-MZ19 WO-109445 FM-B11059 | 06-5 | SPRING, brush----- | ea | 1 |
| G-9 | G503-0295838 | ----- | FM-GPW11002 | ----- | STARTER, assy (6-volt) (Superseded by START- ER AL-MZ4113). | ea | 1 |
| M-5 | G503-0295835 | ----- | AL-MZ4113 WO-A1245 FM-GPW11001 FM-GPW11001A | 01-2 05-2 | STARTER, assy (6-volt)----- | ea | 1 |
| H-1 | H101-0215452 | 215452 | ----- | ----- | SCREW, cap, hex-hd, S, $\frac{3}{8}$ -16NC-2 x 1 $\frac{1}{4}$ ---- | ea | 2 |
| H-1 | H001-7025741 | 120382 | ----- | ----- | WASHER, lock, med, S, cd-zn-pltd, $\frac{3}{8}$ in----- | ea | 2 |
| G-9 | G503-7713415 | 7713415 | AL-MZ4124 | ----- | STARTER, assy (12-volt)----- | ea | 1 |

| | | | | | | | |
|---------------------------|----------------|---------|------------------------------------------------|---------|-------------------------------------------------------------------------------------------------------------------|----|---|
| G-9 | 3320-GPW-11140 | | WO-638646 FM-GPW11140 | | SUPPORT, starter to engine block | ea | 1 |
| H-1 | H101-0214656 | 214656 | | | SCREW, cap, hex-hd, S, cd or zn-pltd, $\frac{1}{8}$ -24NF-2 x $\frac{1}{2}$. | ea | 1 |
| H-1 | H101-0215450 | 215450 | | | SCREW, cap, hex-hd, S, cd or zn-pltd, $\frac{1}{8}$ -16NC-2 x 1. | ea | 1 |
| H-1 | H001-7124741 | 178551 | | | WASHER, lock, int-ext-teeth, S, cd or zn-pltd, $\frac{1}{8}$ x 0.985. | ea | 2 |
| H-1 | H001-7021771 | 138538 | | | WASHER, lock, int-teeth, reg, S, cd or zn-pltd, $\frac{1}{8}$ in. | ea | 1 |
| H-1 | H001-7045561 | 120387 | | | WASHER, plain, US std, S, cd or zn-pltd, $\frac{1}{8}$ in. | ea | 1 |
| G-9 | G503-0393787 | | WO-A6181 | | SWITCH, starter, assy (Superseded by SWITCH AL-5934A3). | ea | 1 |
| G-9 | G503-0393787 | | AL-SW4015 WO-A7225 FM-9N11450A | | SWITCH, starter, assy (Superseded by SWITCH AL-5934A3). | ea | 1 |
| M-5 | | | AL-5934A3 WO-A17143 | 18-2 | SWITCH, starter, assy | ea | 1 |
| H-1 | H001-4167521 | 120367 | | | NUT, hex, s-fin, light, S, cd or zn-pltd, $\frac{1}{4}$ -20NF-2. | ea | 2 |
| H-1 | H001-5418261 | 123316 | | | SCREW, cap, hex-hd, S, cd or zn-pltd, $\frac{1}{4}$ -28NF-3 x $\frac{1}{2}$. | ea | 2 |
| M-5 | G503-7734194 | 7734194 | AL-MU14 WO-A1554 FM-GPW11102 | 06-5 | TERMINAL, field coil | ea | 1 |
| M-5 | G503-5215030 | A215030 | AL-EB108 WO-A1574 FM-B11379 ECM-F3073 | 06-5 | WASHER, lock, S, cd-pltd, $\frac{2}{64}$ ID, $\frac{1}{16}$ OD, $\frac{1}{16}$ thick (Bendix drive spring screw). | ea | 2 |
| G-9 | G507-5308275 | A308275 | AL-MU54 | 06-5 | WASHER, thrust, fibre, 0.645 x $1\frac{1}{4}$ x $\frac{1}{32}$ thk (armature commutator end). | ea | 1 |
| 0604.1-DISTRIBUTOR | | | | | | | |
| G-9 | 2980-1GS1080 | | AL-IGS1080 WO-A1674 FM-GPW12155 | 06-6, 7 | ARM, spark advance control, assy | ea | 1 |
| G-9 | | | AL-IAD2001 WO-A9313 FM-GPW 12139B | 06-7 | BASE, assy (for DISTRIBUTOR AL-IAD4008 only). | ea | 1 |
| M-5 | | | AL-IGS2135 WO-A1679 FM-GPW12139 | 06-6 | BASE, assy (for DISTRIBUTOR AL-IGC4705 only). | ea | 1 |
| M-5 | G507-6167596 | B167596 | AL-IG579A WO-A1681 FM-GPW12082 | 06-7 | BEARING, bushing type, bz, $\frac{1}{2}$ in. ID, $\frac{3}{4}$ in. OD, 1 in. lg. | ea | 2 |

| (1) NOTE SYMBOL | (2) STOCK NO. | (3) ORDNANCE PART NO. | (4) MFR'S PART NO. | (5) FIGURE NO. | (6) NOMENCLATURE | (7) UNIT OF MEAS- URE | (8) QUAN- TITY PER UNIT ASSEM- BLY |
|---------------------------------------------|------------------|-----------------------------|------------------------------------------------------------------------|-------------------|------------------------------------------------------------------------|-----------------------------------|------------------------------------------------------|
| GROUP 06—ELECTRICAL SYSTEM—Continued | | | | | | | |
| 0604.1—DISTRIBUTOR—Continued | | | | | | | |
| G-9 | G502-7329386 | 7329386 | AL-IGC1149 WO-A1564 FM-GPW12218 | 06-7 | BRACKET, stationary, contact, assy----- | ea | 1 |
| H-1 | H001-5125801 | 131949 | ----- | 06-6, 7 | SCREW, mach, fil-hd, S, cd or zn-pltd, No. 8-32NC-2 x 3/16. | ea | 1 |
| H-1 | H001-7021651 | 138530 | ----- | 06-6 | WASHER, lock, int-teeth, reg. S, cd or zn- pltd, No. 8. | ea | 1 |
| M-5 | G503-0131548 | ----- | AL-IGC1132LB AL-IAD1100LB-1 AL-IG1324 WO-A1655 FM-GPW12106 | 06-6 | CAM, breaker, assy (See PLATES with the same part numbers). | ea | 1 |
| G-9 | 2980-IG1324D | ----- | AL-IG1324D WO-A9307 FM-GPW12106B | 06-7 | CAP, assy (for DISTRIBUTOR AL-IAD4008 only). | ea | 1 |
| M-5 | G507-5346776 | A346776 | AL-IGW3139 WO-A1631 FM-GPW12300 | 06-6, 7 | CAPACITOR, assy----- | ea | 1 |
| H-1 | H001-5127311 | 132096 | ----- | 06-6, 7 | SCREW, mach, fil-hd, S, cd or zn-pltd, No. 10-32NF-2 x 1/4. | ea | 1 |
| H-1 | H101-0131875 | 131875 | ----- | 06-6 | SCREW, mach, fil-hd, S, cd or zn-pltd, No. 6-32NC-2 x 3/16. | ea | 1 |
| H-1 | H001-7025621 | 120217 | ----- | 06-6, 7 | WASHER, lock, med, S, cd or zn-pltd, No. 10. | ea | 1 |
| H-1 | H001-7025561 | 131044 | ----- | 06-6 | WASHER, lock, med, S, cd or zn-pltd, No. 6. | ea | 1 |
| M-5 | G507-5346775 | A346775 | AL-IG676 WO-A1663 FM-GPW12217 | 06-6, 7 | CLIP, breaker lever spring----- | ea | 1 |
| G-9 | G503-5307281 | A307281 | AL-AGB199 WO-A1659 FM-GPW12195 | 06-6, 7 | COLLAR, drive shaft----- | ea | 1 |
| H-1 | H001-4555600 | 103693 | ----- | 06-6, 7 | PIN, stght, champhered, cold-fin-S, 1/8 x 3/8---- | ea | 1 |
| G-9 | ----- | ----- | AL-IAD7 WO-A10276 FM-GPW12165 | 06-7 | CONNECTOR, terminal post, assy (for DISTRIB- UTOR AL-IAD4008 only). | ea | 1 |

| | | | | | | | |
|-----|--------------|-----------|----------------------------------------|-----------------|-----------------------------------------------------------------------------------------------------------------|----------|--------|
| M-5 | G507-7324173 | 7324173 | AL-IG514 WO-A1656 FM-GPW12011 | ----- | CONTACT, cap (carbon button)----- | ea | 1 |
| M-5 | G505-5346771 | A346771 | AL-IGC117 WO-A1660 FM-GPW12174 | 06-6 | COVER, term. slot (for DISTRIBUTOR AL-IGC4705 only). | ea | 1 |
| K-3 | 45-C-9272 | 45-C-9272 | ----- | 01-3 06-6, 7 | CUP, oil, steel, hinge lid type, stght, ¼ in. drive--- | ea | 1 |
| M-5 | G503-0152015 | ----- | AL-IGC4705 WO-A1244 FM-GPW12100 | ----- | DISTRIBUTOR, assy (Superseded by DISTRIBUTOR AL-IAD4008). | ea | 1 |
| G-9 | 2980-IAD4008 | ----- | AL-IAD4008 WO-A9075 FM-GPW12100B | 01-2, 3 05-2 | DISTRIBUTOR, assy (dust proof)----- | ea | 1 |
| H-1 | H101-0214577 | 214577 | ----- | ----- | SCREW, cap, hex-hd, S, cd or zn-pltd, ¼-20NC-2 x ½. | ea | 1 |
| H-1 | H001-7025681 | 120380 | ----- | ----- | WASHER, lock, med, S, cd or zn-pltd, ¼ in. | ea | 1 |
| H-1 | H001-7043681 | 120392 | ----- | ----- | WASHER, plain, SAE, std, S, cd or zn-pltd, ¼ in. | ea | 1 |
| G-9 | G502-7702632 | 7702632 | AL-IAD10 WO-A10278 FM-GPW12165 | 06-7 | INSULATOR, bushing type, terminal (for DISTRIBUTOR AL-IAD4008 only). | ea | 1 |
| G-9 | ----- | ----- | AL-IAD8 WO-A10277 FM-GPW12166 | 06-7 | INSULATOR, terminal post (for DISTRIBUTOR AL-IAD4008 only). | ea | 1 |
| M-5 | G507-7702464 | 7702464 | AL-IGL9 WO-A10280 FM-GPW12157 | 06-7 | INSULATOR, washer type, terminal post, bakelite-linen, 0.190 ID, ½ OD, ⅛ thk (for DISTRIBUTOR AL-IAD4008 only). | ea ea | 1 1 |
| G-9 | ----- | ----- | AL-IGP5028 WO-A1570 FM-GPW12155 | 06-7 | LEVER, breaker, assy----- | ea | 1 |
| H-1 | H001-5146431 | 121839 | ----- | 06-6, 7 | SCREW, mach, rd-hd, S, cd or zn-pltd, No. 6-32NC-2 x ⅝. | ea | 1 |
| H-1 | H001-7043561 | 131014 | ----- | 06-6, 7 | WASHER, plain, SAE, std, S, cd or zn-pltd, No. 6. | ea | 1 |
| G-9 | 2980-IAD1004 | ----- | AL-IAD1004 WO-A9310 FM-GPW12010B | ----- | PLATE, breaker, assy (for DISTRIBUTOR AL-IAD4008 only). | ea | 1 |
| G-9 | G121-0340277 | A346770 | AL-IGC1148 WO-A1664 FM-GPW12010 | 06-6 | PLATE, breaker, assy (for DISTRIBUTOR AL-IGC4705 only). | ea | 1 |
| H-1 | H101-0132100 | 132100 | ----- | 06-6 | SCREW, mach, fil-hd, S, cd or zn-pltd, No. 10-32NF-2 x ⅝. | ea | 1 |
| H-1 | H001-7025621 | 120217 | ----- | 06-6 | WASHER, lock, med, S, cd or zn-pltd, No. 10. | ea | 1 |

| (1) NOTE SYMBOL | (2) STOCK NO. | (3) ORDNANCE PART NO. | (4) MFR'S PART NO. | (5) FIGURE NO. | (6) NOMENCLATURE | (7) UNIT OF MEAS- URE | (8) QUAN- TITY PER UNIT ASSEM- BLY |
|---------------------------------------------|------------------|-----------------------------|--------------------------------------------|-------------------|-------------------------------------------------------------------------------------------------|-----------------------------------|------------------------------------------------------|
| GROUP 06—ELECTRICAL SYSTEM—Continued | | | | | | | |
| 0604.1—DISTRIBUTOR—Continued | | | | | | | |
| M-5 | G121-0340306 | ----- | AL-IGC2148C WO-A1662 FM-GPW12151 | ----- | PLATE, breaker, w/CAPACITOR and POINT SET, assy (for DISTRIBUTOR AL-IGC4705 only). | ea | 1 |
| G-9 | 2980-IAD2004 | ----- | AL-IAD2004 WO-A9309 FM-GPW12151B | 06-7 | PLATE, breaker, w/CAPACITOR and POINT SET, assy (for DISTRIBUTOR AL-IAD4008 only). | ea | 1 |
| G-9 | 2980-X2878 | ----- | AL-X2878 WO-A9318 FM-350110S7 | 06-7 | SCREW, mach, fil-hd, S, cd-pltd, No. 10-32NC-2 x 5/8. | ea | 2 |
| G-9 | 2980-IGC1132LB | ----- | AL-IGC1132LB WO-A1661 FM-GPW12176 | 06-6 | PLATE, cam and stop, assy (for DISTRIBUTOR AL-IGC4705 only) (Also known as CAM, breaker, assy). | ea | 1 |
| G-9 | 2980-IAD1100LB-1 | ----- | AL-IAD1100LB-1 WO-A9308 FM-GPW12176B | 06-7 | PLATE, cam and stop, assy (for DISTRIBUTOR AL-IAD4008 only) (Also known as CAM, breaker, assy). | ea | 1 |
| M-5 | G507-5346774 | A346774 | AL-IGP3028FS WO-A1687 FM-GPW18354 | 06-6 | POINT SET----- | ea | 1 |
| Composed of: | | | | | | | |
| 1 BRACKET. | | | | | | | |
| 1 LEVER. | | | | | | | |
| G-9 | G502-7702637 | 7702637 | AL-ILG-8 WO-A10279 FM-GPW12163 | 06-7 | POST, terminal, assy (for DISTRIBUTOR AL-IAD4008 only). | ea | 1 |
| H-1 | H001-4135681 | 120614 | ----- | 06-7 | NUT, mach screw, hex, S, cd or zn-pltd, No. 10-32NF-2. | ea | 2 |
| H-1 | H001-7025621 | 120217 | ----- | 06-7 | WASHER, lock, med, S, cd or zn-pltd, No. 10- | ea | 2 |
| H-1 | H001-7045491 | 120385 | ----- | 06-7 | WASHER, plain, US std, S, cd or zn-pltd, No. 10. | ea | 1 |
| M-5 | G507-5346767 | A346767 | AL-IG680 WO-A1653 FM-GPW12177 | 06-6, 7 | RING, retaining, cam----- | ea | 1 |
| M-5 | G503-0373638 | ----- | AL-IG1657R WO-A1658 FM-GPW12200 | 06-6, 7 | ROTOR, assy----- | ea | 1 |

| | | | | | | | |
|-----|----------------|---------|------------------------------------------|---------|---------------------------------------------------------------------------------------------------------|----|---|
| H-1 | | 110985 | | 06-7 | SCREW, mach, rd-hd, S, No. 6-32NC-2 x 3/16 (terminal post connector) (for DISTRIBUTOR AL-IAD4008 only). | ea | 1 |
| G-9 | 2980-IAD-2015 | | AL-IAD2015 WO-A9316 FM-GPW12094 | 06-7 | SEAL, breaker plate (for DISTRIBUTOR AL-IAD4008 only). | ea | 1 |
| G-9 | 2980-IGS2134LA | | AL-IGS1134LA WO-A9312 FM-GPW12178B | 06-7 | SHAFT, drive, assy (for DISTRIBUTOR AL-IAD4008 only). | ea | 1 |
| G-9 | 2980-IGS2134LA | | AL-IGS2134LA WO-A9311 FM-GPW12175B | | SHAFT, drive, w/GOVERNOR, assy (for DISTRIBUTOR AL-IAD4008 only). | ea | 1 |
| G-9 | | | AL-IGS1134L WO-A1678 FM-GPW12178 | 06-6 | SHAFT, drive, assy (for DISTRIBUTOR AL-IGC4705 only). | ea | 1 |
| M-5 | 2980-IGS2134L | | AL-IGS2134L WO-A1675 FM-GPW12175 | | SHAFT, drive, w/GOVERNOR, assy (for DISTRIBUTOR AL-IGC4705 only). | ea | 1 |
| M-5 | G507-5346768 | A346768 | AL-IGS99 WO-A1672 FM-GPW12120 | 06-6, 7 | SPACER, S, 5/16, ID, 7/16 OD, 5/32 thk (cam spring) | ea | 1 |
| G-9 | | | AL-IGT69 WO-A1684 FM-GPW12191 | 06-6 | SPRING, antirattle (for DISTRIBUTOR AL-IGC4705 only). | ea | 1 |
| M-5 | G121-0389890 | A346780 | AL-IG694 WO-A1682 FM-GPW12144 | 06-6 | SPRING, cap clamp | ea | 2 |
| H-1 | | 135764 | | 06-6 | RIVET, tubular, oval-hd, S, 1/8 x 1 1/32 | ea | 2 |
| M-5 | G507-7324174 | 7324174 | AL-IG515 WO-A1657 FM-GPW12012 | | SPRING, cap secondary circuit contact plunger | ea | 1 |
| G-9 | 9680-637615 | | WO-637615 FM-GPW12083 | 01-3 | SPRING, torsion, distributor drive shaft | ea | 1 |
| G-9 | 2980-IGB202S | | AL-IGB202S WO-A1677 FM-GPW12084 | 06-6 | SPRING SET, governor weight (for DISTRIBUTOR AL-IGC4705 only). | ea | 1 |
| G-9 | 2980-IGB350S | | AL-IGB350S WO-A10047 FM-GPW12084B | 06-7 | SPRING SET, governor weight (for DISTRIBUTOR AL-IAD4008 only). | ea | 1 |
| G-9 | 2980-IAD12 | | AL-IAD12 WO-9317 FM-GPW12095 | 06-7 | WASHER, felt, plate (for DISTRIBUTOR AL-IAD4008 only). | ea | 1 |
| M-5 | G507-5307283 | A307283 | AL-IG90 WO-106740 FM-GPW12193 | 06-6, 7 | WASHER, thrust, drive shaft, lower | ea | 1 |

| (1) NOTE SYMBOL | (2) STOCK NO. | (3) ORDNANCE PART NO. | (4) MFR'S PART NO. | (5) FIGURE NO. | (6) NOMENCLATURE | (7) UNIT OF MEAS- URE | (8) QUAN- TITY PER UNIT ASSEM- BLY |
|------------------------------------------------------------|------------------|-----------------------------|-----------------------------------------|-------------------|-----------------------------------------------------------------------------------------|-----------------------------------|------------------------------------------------------|
| GROUP 06—ELECTRICAL SYSTEM—Continued | | | | | | | |
| 0604.1—DISTRIBUTOR—Continued | | | | | | | |
| M-5 | G507-5175364 | A175364 | AL-IGS104 WO-A1673 FM-GPW12182 | 06-6, 7 | WASHER, thrust, 0.501 ID, $\frac{5}{16}$ OD, $\frac{1}{2}$ thk (drive shaft, upper). | ea | 1 |
| G-9 | G116-1843100 | ----- | AL-IG816C WO-A1654 FM-GPW12267 | 06-6, 7 | WASHER, thrust, spark advance arm----- | ea | 1 |
| G-9 | 2980-IGC2168L | ----- | AL-IGC2168L WO-A9314 FM-GPW12188B | 06-7 | WEIGHT, governor, assy (for DISTRIBUTOR AL-IAD4008 only). | ea | 2 |
| G-9 | G116-1845184 | ----- | AL-IG2456 WO-A1676 FM-GPW12188 | 06-6 | WEIGHT, governor, assy (for DISTRIBUTOR AL-IGC-4705 only). | ea | 2 |
| M-5 | G507-5346784 | A346784 | AL-IGH28 WO-A1671 FM-GPW12133 | 06-6, 7 | WICK, oil, felt, washer type----- | ea | 1 |
| 0605—IGNITION COIL, CABLES, SWITCH, AND SPARK PLUGS | | | | | | | |
| G-9 | 2980-IG-17985 | ----- | AL-IC17980D WO-A1526 FM-GPW12030 | ----- | BRACKET, ignition coil----- | ea | 1 |
| H-1 | H001-4167561 | 120368 | ----- | ----- | NUT, hex, light, s-fin, S, cd or zn-pltd, $\frac{1}{16}$ - 24NF-2. | ea | 2 |
| G-9 | 9680-635886 | ----- | WO-635886 FM-357689S7 | ----- | STUD, S, cd-pltd, $\frac{1}{4}$ -20NC x 1 x $\frac{1}{4}$ -28NF-2-- | ea | 2 |
| H-1 | H001-7124701 | 174916 | ----- | ----- | WASHER, lock, int-ext-teeth, S, cd or zn- pltd, $\frac{1}{4}$ in. x 0.760. | ea | 2 |
| ----- | ----- | ----- | WO-631105 FM-GPW12064 | ----- | WASHER, plain, S, black enameled, $\frac{1}{2}$ in---- | ea | 1 |
| H-1 | H001-7043681 | 120392 | ----- | ----- | WASHER, plain, SAE, std, S, cd or zn-pltd, $\frac{1}{4}$ in. | ea | 2 |
| G-9 | 3320-GPW12091A | ----- | WO-301435 FM-GPW12091A | ----- | BUSHING, spark plug cable support (ru, $\frac{1}{16}$ in. hole). | ea | 1 |
| G-9 | 3320-GPW14321 | ----- | WO-A5083 FM-GPW14321 | ----- | CABLE, coil primary, assy (low tension) (for 6- volt system). | ea | 1 |
| G-9 | G503-7713379 | 7713379 | FM-GPW14456 | ----- | CABLE, coil primary, assy (low tension) (for 12- volt system). | ea | 1 |

| | | | | | | | |
|-----|----------------|---------|----------------------------------------|---------|----------------------------------------------------------------------------------------------------------------------------|----|---|
| M-5 | 3320-GPW12298B | | WO-A1420 FM-GPW12298B | 06-9 | CABLE, coil secondary (high tension) | ea | 1 |
| M-5 | 3320-GPW12287 | | WO-A1412 FM-GPW12287 | 06-9 | CABLE, spark plug No. 1 | ea | 1 |
| M-5 | 3320-GPW12284 | | WO-A1414 FM-GPW12284 | 06-9 | CABLE, spark plug No. 2 | ea | 1 |
| M-5 | 3320-GPW12283 | | WO-A1416 FM-GPW12283 | | CABLE, spark plug No. 3 | ea | 1 |
| M-5 | 3320-GPW12286 | | WO-A1418 FM-GPW12286 | | CABLE, spark plug No. 4 | ea | 1 |
| G-9 | 9680-A1096 | | WO-A1096 FM-11A12425 | | CAP, spark plug insulator | ea | 4 |
| G-9 | G503-0139784 | | AL-IG4070L WO-A1424 FM-GPW12000 | | COIL, ignition, w/BRACKET and WASHER, assy (6-volt) (Superseded by COIL 7744196). | ea | 1 |
| G-9 | G503-0139784 | | AL-IG4070L WO-A7792 FM-GPW12000B | 01-2, 3 | COIL, ignition, w/BRACKET and WASHER, assy (6-volt) (does not have bottom ground connection) (Superseded by COIL 7744196). | ea | 1 |
| | G503-7744196 | 7744196 | AL-IG6009 WO-647820 | | COIL, ignition, w/BRACKET, assy (6-volt) | ea | 1 |
| G-9 | G503-7713377 | 7713377 | FM-GPA12000 | | COIL, ignition, assy (12-volt) | ea | 1 |
| H-2 | H102-0150189 | 150189 | | | GASKET, annular, cop., oval section, 14 mm (spark plug). | ea | 4 |
| G-9 | | | WO-A6814 FM-GPW3685B | | HANDLE, ignition switch | ea | 1 |
| G-9 | G503-7698204 | 7698204 | WO-A2518 FM-GPW3685 | | KEY, ignition switch | ea | 1 |
| H-4 | H004-0345000 | 120095 | | | NIPPLE, insulating, distributor, 7 mm cable, ru, 5/16 in. ID body (ignition cables). | ea | 5 |
| G-9 | | | DM-53170A WO-A6813 | | NUT, mounting, ignition switch | ea | 1 |
| H-4 | H004-0501010 | 501010 | | | PLUG, spark, 14 mm, med, 1 3/16 in. hex | ea | 4 |
| H-1 | H001-5147511 | 122159 | | | SCREW, mach, rd-hd, S, cd or zn-pltd, No. 8 (0.164) 32NC-2 x 1/4 (ignition switch terminal). | ea | 2 |
| G-9 | | | DM-51104 WO-A1350 FM-356229S7 | | WASHER, lock, int-teeth, S, cd-pltd, No. 8 | ea | 2 |
| G-9 | 2760-5941 | | DM-5941 WO-A2517 FM-GPW3686 | | SWITCH, ignition, assy (key type) (Superseded by SWITCH DM-6282). | ea | 1 |
| G-9 | G513-7088753 | 7088753 | DM-6282 WO-A6811 FM-GPW3686B | 18-2 | SWITCH, ignition, assy (keyless type) | ea | 1 |
| G-9 | G518-7001402 | 7001402 | WO-307556 FM-B14463 | | TERMINAL, coil primary cable | ea | 1 |
| H-4 | H004-0368000 | 507105 | | | TERMINAL, distributor, solderless br. 7 mm, cable, (spark plug and coil secondary cables). | ea | 5 |

| (1) NOTE SYMBOL | (2) STOCK NO. | (3) ORDNANCE PART NO. | (4) MFR'S PART NO. | (5) FIGURE NO. | (6) NOMENCLATURE | (7) UNIT OF MEAS- URE | (8) QUAN- TITY PER UNIT ASSEM- BLY | |
|--------------------------------------------------------------------------|------------------|-----------------------------|-------------------------------------------------------------------------------|-------------------|-----------------------------------------------------------------------------------------------|---------------------------------------------------------------------|------------------------------------------------------|---|
| GROUP 06—ELECTRICAL SYSTEM—Continued | | | | | | | | |
| 0005—IGNITION COIL, CABLES, SWITCH, AND SPARK PLUGS—Continued | | | | | | | | |
| G-9 | G503-5250653 | A250653 | WO-314369 FM-B14466 | ----- | TERMINAL, spark plug and coil secondary cables (Superseded by TERMINAL 507105). | ea | 5 | |
| H-4 | H004-0368000 | 507105 B167589 | AL-IG94 WO-A1652 FM-GPW12006 | ----- | TERMINAL, distributor, cable, solderless, br, 7-mm cable (spark plug cable, high tension). | ea | 4 | |
| 0607—INSTRUMENT PANEL WIRING, LIGHTS, AND GAGES | | | | | | | | |
| H-4 | H004-0501303 | 501303 | ----- | ----- | ADAPTER, instrument panel lights, 12 prong, S. | ea | 2 | |
| G-9 | G503-7341364 | 7341364 | AL-10311A AL-10075A WO-A5231 WO-A8186 FM-GPW10850 FM-GPW10850B | 18-2 | AMMETER, assy (50 amp)----- | ea | 1 | |
| H-1 | H001-4135681 | 120614 | ----- | ----- | NUT, mach screw, hex, S, cd or zn-pltd, No. 10-32NF-2. | ea | 2 | |
| H-1 | H001-7025621 | 120217 | ----- | ----- | WASHER, lock, med, S, cd or zn-pltd, No. 10. | ea | 2 | |
| | | | | | | BRACKET, mounting, ammeter----- | ea | 1 |
| | | | | | | BRACKET; mounting, fuel gage----- | ea | 1 |
| | | | | | | BRACKET, mounting, oil pressure gage and water temperature gage. | ea | 1 |
| G-9 | G116-0400771 | ----- | AL-10313A AL-9799A WO-A8184 WO-A1268 FM-GPW9280 | 18-2 | GAGE, fuel assy (6-volt)----- | ea | 1 | |
| G-9 | G503 7713588 | 7713588 | SW-441044 | ----- | GAGE, fuel, assy (12-volt)----- | ea | 1 | |
| G-9 | G121-0194050 | 7056073 | AL-1017A AL-10310A WO-A8190 WO-A1269 FM-GPW9273 | 18-2 | GAGE oil pressure, assy----- | ea | 1 | |
| H-1 | H001-4135681 | 120614 | ----- | ----- | NUT, mach screw, hex, S, cd or zn-pltd, No. 10-32NF-2. | ea | 2 | |

| | | | | | | | |
|-----|----------------|---------|--------------|------|-------------------------------------------------------------------------------------|----|---|
| H-1 | H001-7025621 | 120217 | | | WASHER, lock, med, S, cd or zn-pltd, No. 10. | ea | 2 |
| G-9 | G503-0232469 | | AL-10312 | 18-2 | GAGE, water temperature | ea | 1 |
| | | | AL-10014A | | | | |
| | | | WO-A8188 | | | | |
| | | | WO-A1270 | | | | |
| | | | FM-GPW10883 | | | | |
| G-9 | G503-7697867 | 7697867 | WO-662420 | | GROMMET, water temperature gage (ru, $\frac{3}{16}$ in.) | ea | 1 |
| | | | FM-GPW9319A | | | | |
| H-4 | H104-0115273 | 115273 | | | LAMP, elec, incand, min, 6-8 v, sgle-tung-fil, No. 51, 1 cp (for 6-volt system). | ea | 1 |
| H-4 | H104-0131282 | 131282 | | | LAMP, elec, incand, min, 12-16 v, sgle-tung-fil, No. 53, 1 cp (for 12-volt system). | ea | 1 |
| H-4 | H004-0504780 | 504780 | | | SHIELD, instrument light, 12 prong, S. | ea | 1 |
| G-9 | 3320-GPW13710 | | WO-A1411 | 06-9 | SOCKET, lamp, w/CABLE, assy (includes 2 sockets). | ea | 1 |
| | | | FM-GPW13710 | | | | |
| | | | | | 0608-SWITCHES, JUNCTION BLOCKS, AND CIRCUIT BREAKERS | | |
| G-9 | 3320-GPW14448A | | FM-GPW14448A | | BLOCK, junction, 2 post, assy (Superseded by BLOCK WO-639599). | ea | 1 |
| G-9 | 3320-GPW14448C | | WO-639599 | | BLOCK, junction, 2 post, assy | ea | 2 |
| | | | FM-GPW14448C | | | | |
| H-1 | H001-5148271 | 120222 | | | SCREW, mach, rd-hd, S, cd or zn-pltd, No. 10-24NC-2 x $\frac{5}{8}$. | ea | 1 |
| H-1 | H001-7025621 | 120217 | | | WASHER, lock, med, S, cd or zn-pltd, No. 10. | ea | 4 |
| G-9 | 3320-GPW14448D | | WO-A1490 | | BLOCK, junction, 6 post, assy | ea | 1 |
| | | | FM-GPW14448D | | | | |
| | | | FM-GPW14448B | | | | |
| H-1 | H001-5148281 | 120910 | | | SCREW, mach, rd-hd, S, cd or zn-pltd, No. 10-24NC-2 x $\frac{3}{4}$. | ea | 2 |
| H-1 | H001-7025621 | 120217 | | | WASHER, lock, med, S, cd or zn-pltd, No. 10. | ea | 2 |
| | | 7713500 | WEP-1008 | | BLOCK, junction, blackout head light resistor (for 12-volt system). | ea | 1 |
| G-9 | G503-0125901 | 7016441 | WO-A1734 | | BREAKER, circuit, 15 amp, assy (ammeter and horn). | ea | 2 |
| | | | WO-A15804 | | | | |
| | | | FM-GPW12250E | | | | |
| | | | FM-GPW12250B | | | | |
| H-1 | H001-4135621 | 120622 | | | NUT, mach screw, hex, S, cd or zn-pltd, No. 8-32NC-2. | ea | 4 |
| H-1 | H001-5147561 | 132764 | | | SCREW, mach, rd-hd, S, cd or zn-pltd, No. 8-32NC-2 x $\frac{5}{8}$. | ea | 4 |
| H-1 | H001-7025591 | 121841 | | | WASHER, lock, med, S, cd or zn-pltd, No. 8. | ea | 4 |
| G-9 | G503-0125900 | | WO-A17333 | | BREAKER, circuit, 5 amp, assy (ignition switch and fuel gage). | ea | 1 |
| | | | FM-GPW12250A | | | | |

| (1) NOTE SYMBOL | (2) STOCK NO. | (3) ORDNANCE PART NO. | (4) MFR'S PART NO. | (5) FIGURE NO. | (6) NOMENCLATURE | (7) UNIT OF MEAS- URE | (8) QUAN- TITY PER UNIT ASSEM- BLY |
|---------------------------------------------------------------------------|------------------|-----------------------------|---------------------------------------|-------------------|-------------------------------------------------------------------------------------|-----------------------------------|------------------------------------------------------|
| GROUP 06—ELECTRICAL SYSTEM—Continued | | | | | | | |
| 0608—SWITCHES, JUNCTION BLOCKS, AND CIRCUIT BREAKERS—Continued | | | | | | | |
| G-9 | G503-0325902 | ----- | DM-53097A WO-A1349 FM-GPW12250C | ----- | BREAKER, circuit, 30 amp, assy (main light switch) (for SWITCH DM-6244). | ea | 1 |
| | G503-7704015 | 7704015 | FM-GPW12250D | ----- | BREAKER, circuit, 30 amp, assy (main light switch). | ea | 1 |
| G-9 | G503-7037380 | 7037380 | DM-5943 WO-A1347 | ----- | CONTROL, lock nut, blackout light switch, assy-- | ea | 1 |
| | | | WO-A6152 | ----- | KNOB, blackout light switch, w/set SCREW, assy. | ea | 1 |
| G-9 | G503-7088755 | 7088755 | DM-5999 | ----- | KNOB, instrument panel light switch, w/set | ea | 1 |
| | | | WO-A1352 | ----- | SCREW, assy. | | |
| G-9 | G503-7036866 | 7036866 | DM-5944 WO-A1348 | ----- | KNOB, light switch, w/set SCREW, assy----- | ea | 1 |
| G-9 | G503-5381088 | A381088 | DM-53875A WO-A11868 FM-G8T11661 | ----- | LEVER, main light switch (for SWITCH DM-6244). | ea | 1 |
| H-1 | H001-5125831 | 131963 | ----- | ----- | SCREW, mach, fil-hd, S, cd or zn-pltd, No. 8-32NC-2 x 3/8. | ea | 1 |
| | | | WO-A11869 FM-G8T11670 | ----- | PLATE, escutcheon, rotary light switch----- | ea | 1 |
| G-9 | G503-7713396 | 7713396 | ----- | ----- | RESISTOR, blackout driving light (for 12-volt system). | ea | 1 |
| H-1 | H101-0426903 | 426903 | ----- | ----- | NUT, mach screw, hex, S, cd or zn-pltd, No. 10-32NF-3. | ea | 2 |
| H-1 | H001-5148891 | 132923 | ----- | ----- | SCREW, mach, rd-hd, S, cd or zn-pltd, No. 10-32NF-2 x 1. | ea | 2 |
| H-1 | H001-7045491 | 120385 | ----- | ----- | WASHER, plain, US-std, S, cd or zn-pltd, No. 10. | ea | 2 |
| H-1 | H001-7025621 | 120217 | ----- | ----- | WASHER, lock, med, S, cd or zn-pltd, No. 10. | ea | 2 |
| H-1 | H001-5125821 | 131958 | ----- | ----- | SCREW, mach, fil-hd, S, cd or zn-pltd, No. 8-32NC-2 x 3/16 (light switch terminal). | ea | 7 |
| | | | DM-51104 WO-A1350 FM-356229S7 | ----- | WASHER, lock, int-teeth, S, cd or zn-pltd, No. 8. | ea | 7 |

| | | | | | | | |
|-----|--------------|---------|------------------------------------------------|--------------|---------------------------------------------------------------------------------------|----|----|
| H-4 | H004-0506602 | 506602 | DM-D398 WO-A6149 FM-GTB13739 WO-A1351 | | SWITCH, light, push-pull, 2-position, assy ----- | ea | 1 |
| | | | WO-A1353 | | SWITCH, blackout driving light, assy (Willy's only after Serial No. 163750). | ea | 1 |
| H-1 | H001-1519011 | 115549 | | | NUT, hex, S, $\frac{3}{8}$ -24NF-2 ----- | ea | 1 |
| G-9 | G508-7000419 | 7000419 | DM-6245 WO-A12056 FM-G8T13532 | | WASHER, lock, int-teeth, reg, S, $\frac{3}{8}$ in. ----- | ea | 1 |
| | | | | | SWITCH, dimmer, head light foot control, assy (closed type term.). | ea | 1 |
| G-9 | G508-7000419 | 7000419 | CL-9654 WO-638979 FM-GPW13532 | 18-2 | SWITCH, dimmer, headlight foot control (push-in type terminal). | ea | 1 |
| H-1 | H001-5150731 | 120628 | | | SCREW, mach, rd-hd, S, cd or zn-pltd, $\frac{1}{4}$ -20NC-2 x $\frac{1}{2}$. | ea | 3 |
| H-1 | H001-7025681 | 120380 | | | WASHER, lock, med, S, cd or zn-pltd, $\frac{1}{4}$ in. ----- | ea | 1 |
| H-4 | H004-0506605 | 506605 | | | SWITCH, light, blackout, push-pull, safety lock, assy (main lights). | ea | 1 |
| H-1 | H001-7025681 | 120380 | | | WASHER, lock, med, S, cd or zn-pltd, $\frac{1}{4}$ in. ----- | ea | 1 |
| H-4 | H004-0506602 | 506602 | | 18-2 | SWITCH, light, push-pull, 2 position, assy (instrument panel light). | ea | 1 |
| H-1 | H001-4019541 | 219708 | | | NUT, jam, hex, reg, s-fin, S, cd or zn-pltd, $\frac{3}{8}$ -24NF-2 (Willy's only). | ea | 1 |
| H-1 | H001-5147511 | 122159 | | | SCREW, mach, rd-hd, S, cd or zn-pltd, No. 8 (0.164) 32NC-2 x $\frac{1}{4}$. | ea | 2 |
| H-1 | H001-7021651 | 138530 | | | WASHER, lock, int-teeth, reg, S, cd or zn- pltd, No. 8. | ea | 1 |
| | | | DM-6203 WO-A11867 FM-G8T11654 | | SWITCH, main, lights, rotary type, assy ----- | ea | 1 |
| G-9 | G503-7036582 | 7036582 | DM-6244 WO-A11866 FM-G8T11649 | 06-9 18-2 | SWITCH, main lights, w/circuit BREAKER, assy (rotary type). | ea | 1 |
| G-9 | G503-7324844 | 7324844 | DM-53879 WO-A11871 FM-360036S8 | | NUT, hex, thin, S, cd or zn-pltd, $\frac{1}{2}$ -20NF-2 ----- | ea | 1 |
| H-1 | H001-7021861 | 138549 | | | WASHER, lock, int-teeth, reg, S, cd or zn- pltd, $\frac{1}{2}$ in. | ea | 1 |
| G-9 | G085-2102215 | A283457 | WO-A1271 FM-11A13480 | 12-4 | SWITCH, stop light, assy ----- | ea | 1 |
| G-9 | 3320-356299S | | WO-A1089 FM-356299S | | WASHER, S, $\frac{1}{4}$ in. (terminal block screw) ----- | ea | 10 |

| (1) NOTE SYMBOL | (2) STOCK NO. | (3) ORDNANCE PART NO. | (4) MFR'S PART NO. | (5) FIGURE NO. | (6) NOMENCLATURE | (7) UNIT OF MEAS- URE | (8) QUAN- TITY PER UNIT ASSEM- BLY |
|---------------------------------------------------------|------------------|-----------------------------|----------------------------------------|-------------------|---------------------------------------------------------------------------------|-----------------------------------|------------------------------------------------------|
| GROUP 06—ELECTRICAL SYSTEM—Continued | | | | | | | |
| 0609.1—LIGHTS: HEAD, TAIL AND MARKER; LAMP-UNITS | | | | | | | |
| G-9 | 3320-GPW13175C | | CB-6012 WO-A1361 FM-GPW13022 | 06-8 | BOLT, amounting, head light..... | ea | 2 |
| G-9 | 3320-GPW131410 | | CB-11503 WO-A11770 FM-GPW13175C | | CABLE, blackout head light, assy (Superseded by CABLE WO-A11770). | ea | 1 |
| G-9 | 3320-GPW13410 | | WO-A11770 FM-GPW131410 | 06-8, 9 | CABLE, blackout head light, assy..... | ea | 2 |
| G-9 | 3320-GPW13410 | | WO-A719 FM-GPW13410 | | CABLE, blackout tail light to connector..... | ea | 1 |
| G-9 | | | CB-11200 WO-A6147 FM-GPW13174 | 06-8 | CABLE, ground, blackout, head light, assy..... | ea | 1 |
| | | | WO-A1731 FM-GPW14436 | | CABLE, ground, head light..... | ea | 1 |
| G-9 | 3320-GPW13076 | | WO-52993 FM-32852S7 WO-A1362 | 06-8 | SCREW, tapping, rd-hd, S, cd-pltd, No. 10 x ¾. | ea | 2 |
| G-9 | 3320-GPW13075 | | FM-GPW13076 WO-A1363 FM-GPW13075 | | CABLE, left, head light, assy..... | ea | 1 |
| H-4 | H004-O504435 | 504435 | | 06-8 | DOOR, blackout marker lamp, w/LENS and FILTER, assy. | ea | 2 |
| H-1 | H101-O134235 | 134235 | | 06-8 | SCREW, mach, oval-hd, S, cd or zn-pltd, No. 8-32NC-2 x ¾. | ea | 2 |
| H-4 | H004-O504430 | 504430 | | | DOOR, blackout tail and blackout stop light..... | ea | 1 |
| H-4 | H004-O504432 | 504432 | | 06-8 | DOOR, blackout tail and service tail and stop light. | ea | 1 |
| H-1 | H101-O132780 | 132780 | | 06-8 | SCREW, mach, rd-hd, S, cd or zn-pltd, No. 8-32NC-2 x 1¼. | ea | 4 |
| G-9 | G121-0155535 | 7007587 | CB-8523 WO-A1036 FM-GPW13043 | 06-8 | DOOR, head light, assy..... | ea | 2 |
| H-1 | H101-0427249 | 427249 | | 06-8 | SCREW, mach, fil-hd, br, cd or zn-pltd, No. 8- 32NC-2 x ¾. | ea | 2 |
| H-4 | H004-0504426 | 504426 | | 06-8 | DOOR, head light, w/locating and fastening lugs, assy (blackout head light). | ea | 1 |

| | | | | | | | |
|-----|----------------|---------|-------------------------------------|------|------------------------------------------------------------------------------------------------------------------------|----|---|
| H-1 | H001-5125831 | 131963 | ----- | 06-8 | SCREW, mach, fil-hd, S, cd or zn-pltd, No. 8-32NC-2 x $\frac{3}{8}$. | ea | 1 |
| H-1 | H001-7021651 | 138530 | ----- | | WASHER, lock, int-teeth, reg, S, cd or zn-pltd, No. 8. | ea | 1 |
| G-9 | G503-7010624 | 7010624 | WO-A15304 FM-GPW13209 | | GASKET, blackout, head light door | ea | 1 |
| G-9 | 3320-GPW13209B | ----- | CB-9281 WO-A1071 FM-GPW13209B | 06-8 | GASKET, marker light, door | ea | 1 |
| G-9 | G503-7697858 | 7697858 | WO-A2878 FM-GPW13032 | | HINGE, head light, support | ea | 2 |
| H-1 | H001-5026111 | 214018 | ----- | | SCREW, cap, hex-hd, S, cd or zn-pltd, $\frac{1}{16}$ -18NC-2 x $\frac{5}{8}$. | ea | 4 |
| H-1 | H001-4026521 | 220070 | ----- | | NUT, hex, reg, s-fin, S, cd or zn-pltd, $\frac{1}{16}$ -18NC-2. | ea | 4 |
| H-1 | H001-7025711 | 120214 | ----- | | WASHER, lock, med, S, cd or zn-pltd, $\frac{5}{16}$ in. | ea | 4 |
| | | | CB-11500 WO-A6143 FM-GPW13170 | 06-8 | HOUSING, blackout head light, assy | ea | 1 |
| | | | CB-10436 WO-A5586 FM-GPW13012 | 06-8 | HOUSING, head light, assy | ea | 2 |
| | | | CB-10461 WO-A1439 FM-GPW13217 | | HOUSING, left marker light, w/CABLE, assy | ea | 1 |
| | | | CB-10462 WO-A1440 FM-GPW | 06-8 | HOUSING, right marker light, w/CABLE, assy | ea | 1 |
| G-9 | | | CB-9212 WO-A1073 FM-GPW13408B | 06-8 | HOUSING, tail and stop light, assy | ea | 1 |
| H-4 | H104-0142303 | 142303 | ----- | 06-8 | LAMP, elec, incand, min, 6-8 v, sgle-tung-fil, No. 63, 3 cp (SC cand-bay-base, G-6 bulb, C-2R fil). | ea | 2 |
| H-4 | H104-0190917 | 190917 | ----- | | LAMP, elec, incand, min, 12-16 v, sgle-tung-fil, No. 1247, 3 cp (SC cand-bay-base, G-6 bulb, C-2R-C-2R fil in series). | ea | 1 |
| H-4 | H004-0504423 | 504423 | ----- | | LAMP-UNIT, blackout, stop, sealed opening (upper), 6-8 v, 3 cp. | ea | 1 |
| H-4 | H004-0504422 | 504422 | ----- | | LAMP-UNIT, blackout, stop, sealed, 1 opening, (upper) 12-16 v, 3 cp. | ea | 1 |
| H-4 | H004-0504420 | 504420 | ----- | 06-8 | LAMP-UNIT, blackout, tail, sealed, 4 opening, (lower) 6-8 v, 3 cp. | ea | 2 |
| H-4 | H004-0504419 | 504419 | ----- | | LAMP-UNIT, blackout, tail, sealed, 4 opening, (lower) 12-16 v, 3 cp. | ea | 2 |

| (1) NOTE SYMBOL | (2) STOCK NO. | (3) ORDNANCE PART NO. | (4) MFR'S PART NO. | (5) FIGURE NO. | (6) NOMENCLATURE | (7) UNIT OF MEAS- URE | (8) QUAN- TITY PER UNIT ASSEM- BLY |
|------------------------------------------------------------------------|------------------------------|-----------------------------|--------------------------------------------------------------------------------|-------------------|------------------------------------------------------------------------------------------------------------------------------------------|-----------------------------------|------------------------------------------------------|
| GROUP 06—ELECTRICAL SYSTEM—Continued | | | | | | | |
| 0609.1—LIGHTS: HEAD, TAIL AND MARKER; LAMP-UNITS— Continued | | | | | | | |
| H-4 | H004-0504433 | 504433 | ----- | 06-8 | LAMP-UNIT, incand, blackout, driving, sealed, shielded, metal reflector, 6-8 v, No. 2405S, 15 w, 10 cp, C-6 fil. (9-32NC-2 screw term.). | ea | 1 |
| H-4 | H104-0193152 | 193152 | ----- | 06-8 | LAMP-UNIT, incand, sealed, metal reflector, 6-8 v, dble-tung-fil, 3 prong base, No. 4031, 45-35 w. (PAR-46 bulb). | ea | 2 |
| H-4 | H104-0193153 | 193153 | ----- | ----- | LAMP-UNIT, incand, sealed, metal reflector, 12-16 v, dble-tung-fil, 3 prong base, No. 4431, 45-35 w. (PAR-46 bulbs). | ea | 2 |
| H-4 | H004-0504417 | 504417 | ----- | 06-8 | LAMP-UNIT, service tail and stop, sealed (upper), 6-8 v, 21-3 cp. | ea | 1 |
| H-4 | H004-0504416 | 504416 | ----- | ----- | LAMP-UNIT, service tail and stop, sealed (upper), 12-16 v, 21-6 cp. | ea | 1 |
| H-4 | H004-0504413 | 504413 | ----- | 15-3 | LIGHT, blackout tail and blackout stop, 6-8 v, 7/8 in. studs, assy. | ea | 1 |
| H-4 | H004-0504406 | 504406 | ----- | ----- | LIGHT, blackout tail and service tail and stop, 6-8 v, 7/8 in. studs, assy. | ea | 1 |
| H-1 | H001-4167501 | 120375 | ----- | ----- | NUT, hex, light, s-fin, S, cd or zn-pltd, 1/4-20 NC-2. | ea | 4 |
| H-1 | H001-7025681 | 120380 | ----- | ----- | WASHER, lock, med, S, cd or zn-pltd, 1/4 in. | ea | 4 |
| G-9 | 3320-GPW13150 | ----- | CB-11495 WO-A6142 FM-GPW13150 | ----- | LIGHT, head, blackout, assy (Superseded by LIGHT WO-A11768). | ea | 1 |
| G-9 | 3320-GPW13150C | ----- | WO-A11768 FM-GPW13150C | ----- | LIGHT, head, blackout, assy | ea | 1 |
| H-1 | H101-0123221 | 123221 | ----- | 06-8 | NUT, hex, light, s-fin, S, cd or zn-pltd, 3/8-16NC-3. | ea | 1 |
| H-1 | H001-7025741 G503-0211411 | 120382 | ----- | 06-8 18-1 | WASHER, lock, med, S, cd or zn-pltd, 3/8 in. | ea | 1 |
| | G503-0211410 | ----- | CB-215142 WO-A1304 FM-GPW13006A CB-215242 WO-A1305 FM-GPW13005A | 18-1 | LIGHT, head, left, assy (6-volt) | ea | 1 |
| | | ----- | | | LIGHT, head, right, assy (6-volt) | ea | 1 |

| | | | | | | | |
|--------------|--------------|----------------------------------------------------|-----------------------------------------------|-------|--------------------------------------------------------------------------------|----|---|
| H-1 | H001-4167681 | 120371 | ----- | 06-8 | NUT, hex, light, s-fin, S, cd or zn-pltd, 1/2-20NF-2. | ea | 2 |
| H-1 | H001-7025801 | 120384 | ----- | 06-8 | WASHER, lock, med, S, cd or zn-pltd, 1/2 in. | ea | 2 |
| G-9 | 2300-415342 | | CB-415342 WO-A1436 FM-GPW13201 | 18-1 | LIGHT, marker, left, assy (6-volt) (Superseded by LIGHT 504439). | ea | 1 |
| G-9 | 2300-415442 | | CB-415442 WO-A1437 FM-GPW13200 | 18-1 | LIGHT, marker, right, assy (6-volt) (Superseded by LIGHT 504439). | ea | 1 |
| H-4 | H004-0504439 | 504439 | ----- | ----- | LIGHT, blackout marker, type C pinless mounting base, 6-8 v, assy. | ea | 2 |
| H-1 | H001-4167561 | 120368 | ----- | 06-8 | NUT, hex, light, s-fin, S, cd or zn-pltd, 5/16-24NF-2. | ea | 2 |
| H-1 | H001-7025711 | 120214 | ----- | 06-8 | WASHER, lock, med, S, cd or zn-pltd, 5/16 in. | ea | 2 |
| H-1 | H101-0219275 | 219275 | WO-A1082 | ----- | NIPPLE, ru, marker light. | ea | 2 |
| G-9 | | | CB-9276 WO-A6783 WO-2875 FM-357419S2 | ----- | NUT, wing, light, S, phos-ctd, 7/16-20NF-2 (head light mounting bracket bolt). | ea | 2 |
| H-1 | H001-0811025 | 103361 | ----- | ----- | PAD, mounting, marker light. | ea | 2 |
| | | | CB-8010 WO-A1031 FM-GPW13015 | 06-8 | PIN, clevis, S, 0.248 diam, 25/64 lgh (head light support bolt). | ea | 2 |
| H-1 | H001-5148811 | 132892 | ----- | 06-8 | PIN, cotter, split, S, 1/16 x 1/2. | ea | 1 |
| H-1 | H001-7025621 | 120217 | ----- | 06-8 | RETAINER, head light mounting bolt. | ea | 2 |
| H-4 | H004-0504427 | 504427 | ----- | 06-8 | SCREW, mach, rd-hd, S, cd or zn-pltd, No. 10-32NF-2 x 1/4. | ea | 2 |
| | | | CB-7783 WO-53071 FM-40631S7 | 06-8 | WASHER, lock, med, S, cd or zn-pltd, No. 10. | ea | 2 |
| H-4 | H004-0504852 | 504852 | ----- | 06-8 | RING and SPRING, sealed head lamp unit, assy (blackout driving light). | ea | 1 |
| G503-7697859 | 7697859 | WO-A2870 FM-GPW13071 | ----- | 06-8 | SCREW, blackout head light ground. | ea | 1 |
| G503-7697852 | 7697852 | WO-A2871 FM-GPW13070 | ----- | ----- | SEAL, insulating, tail light socket, ru. | ea | 2 |
| G503-7697876 | 7697876 | WO-A2873 FM-GPW13020 WO-A6313 FM-GPW13180 | ----- | 06-8 | SUPPORT, head light, left, assy. | ea | 1 |
| | | | ----- | ----- | SUPPORT, head light, right, assy. | ea | 1 |
| | | | ----- | ----- | BOLT, S, 5/16-18NC-2, w/NUT and WASHER, assy. | ea | 2 |
| | | | ----- | 06-8 | WASHER, adjusting, blackout, head light. | ea | 1 |

| (1) NOTE SYMBOL | (2) STOCK NO. | (3) ORDNANCE PART NO. | (4) MFR'S PART NO. | (5) FIGURE NO. | (6) NOMENCLATURE | (7) UNIT OF MEAS- URE | (8) QUAN TITY PER UNIT ASSEM- BLY |
|-----------------------|------------------|-----------------------------|--------------------------------------|-------------------|------------------------------------------------------------------------------------------------------------------|-----------------------------------|-----------------------------------------------------|
| | | | | | GROUP 06—ELECTRICAL SYSTEM—Continued | | |
| | | | | | 0611—HORN, BUTTON, AND SWITCH | | |
| | 3320-GPW13831 | ----- | WO-A1389 FM-GPW13831 | ----- | BRACKET, horn, assy----- | ea | 1 |
| H-1 | H101-0122198 | 122198 | ----- | ----- | NUT, jam, hex, light, s-fin, S, cd or zn-pltd, 5/16-24NF-3. | ea | 2 |
| H-1 | H001-5419821 | 120741 | ----- | ----- | SCREW, cap, hex-hd, S, cd or zn-pltd, 5/16- 24NF-3 x 3/4. | ea | 2 |
| H-1 | H001-7025711 | 120214 | ----- | ----- | WASHER, lock, med, S, cd or zn-pltd, 5/16 in. | ea | 2 |
| H-1 | H001-7045561 | 120387 | ----- | ----- | WASHER, plain, US std, S, cd or zn-pltd, 5/16 in. | ea | 2 |
| G-9 | G160-0126260 | ----- | RG-032087 WO-A302 FM-GPW13836 | 14-2 | BRUSH, contact, steering column horn cable con- tact ring, assy. | ea | 1 |
| H-1 | H001-5147511 | 122159 | ----- | ----- | SCREW, mach, rd-hd, S, cd or zn-pltd, No. 8-32NC-2 x 1/4. | ea | 2 |
| H-1 | H001-7021651 | 138530 | ----- | ----- | WASHER, lock, int-teeth, reg, S, cd or zn- pltd, No. 8. | ea | 2 |
| G-9 | 7640-450054 | ----- | RG-450054 WO-A634 FM-GPW3627 | 14-2 18-2 | BUTTON, contact, horn----- | ea | 1 |
| G-9 | 7640-828732 | ----- | RG-828732 WO-A752 FM-GPW14171 | 14-2 | CABLE, horn, steering column, assy----- | ea | 1 |
| G-9 | 7640-029046 | ----- | RG-029046 WO-638885 FM-GPW3646 | 14-2 | CUP, horn, contact button spring----- | ea | 1 |
| G-9 | 7640-051033 | ----- | RG-051033 FM-GPW3635 | ----- | FERRULE, insulating, steering column horn cable upper contact terminal (Superseded by FER- RULE RG051035). | ea | 1 |
| G-9 | 7640-051035 | ----- | RG-051035 WO-A751 FM-GPW3635B | 14-2 | FERRULE, insulating, steering column horn cable upper contact terminal. | ea | 1 |
| G-9 | 3320-GPW13802 | ----- | WO-A1312 FM-GPW13802 | ----- | HORN, assy (6-volt) (Superseded by HORN 7743681). | ea | 1 |

| | | | | | | | |
|---------------------------------------------------|------------------------------|-------------------|------------------------------------|------|---------------------------------------------------------------------------------------------------------------|----|---|
| H-1 | G503-7743681 H101-0213878 | 7743681 213878 | SPW-A18345 | | HORN, w/BRACKET, assy (6-volts)----- | ea | 1 |
| | | | | | SCREW, cap, hex-hd, S, cd or zn-pltd, ¼- 28NF-2 x ¾. | ea | 2 |
| H-1 | H001-7025681 | 120380 | | | WASHER, lock, med, S, cd or zn-pltd, ¼ in. | ea | 2 |
| G-9 | G504-7089882 | 7089882 | SPW-B9567 SPW-B10540 | | HORN, assy (12-volts)----- | ea | 1 |
| H-1 | H001-4135621 | 120622 | | | NUT, mach screw, hex, S, cd or zn-pltd, No. 8- 32NC-2 (horn adjusting). | ea | 2 |
| H-1 | H001-7025591 | 121841 | | | WASHER, lock, med, S, cd or zn-pltd, No. 8. | ea | 2 |
| G-9 | 7640-063991 | | RG-063991 WO-A747 FM-GPW3652 | 14-2 | RING, contact, steering column horn cable----- | ea | 1 |
| G-9 | 7640-401107 | | RG-401107 WO-638884 | 14-2 | SPRING, horn contact button----- | ea | 1 |
| G-9 | 7640-029049 | | RG-029049 WO-A750 FM-GPW3631 | 14-2 | WASHER, horn cable upper contact terminal----- | ea | 1 |
| 0612-BATTERIES, HANGERS, BOXES, AND CABLES | | | | | | | |
| H-15 | H015-0500902 | 500902 | | 05-2 | BATTERY, storage, lead acid, 6 v (3 cell), charged and dry, type 2H, 10¾ x 7½ x 9¾ (max. dimen- sions). | ea | 2 |
| H-4 | H004-0116300 | 501924 | | | BOLT, battery terminal, sq-hd, S, ld-ctd, ⅝-18NC, w/NUT. | ea | 2 |
| | G503-7713418 | 7713418 | | | BRACKET, hold down, battery, outer (for 12-volt system). | ea | 1 |
| | G503-7713397 | 7713397 | | | BRACKET, hold down, battery, end (for 12-volt system). | ea | 2 |
| H-1 | | 503523 | | | NUT, wing, S, phos-ctd, ⅝-16NC-2----- | ea | 6 |
| H-1 | H001-7025745 | 115093 | | | WASHER, lock, med, S, phos-ctd, ⅜ in----- | ea | 6 |
| G-9 | 3320-GPWS14447 | 7713376 | FM-GPWS14447 | | CABLE, battery connecting, w/TERMINALS assy. | ea | 1 |
| H-1 | H101-0432768 | 432768 | | | BOLT, sq-hd, unfin, S, ld-ctd, ⅝-18NC-2 x 1⅝. | ea | 2 |
| H-1 | H101-0432769 | 43269 | | | NUT, hex, light, s-fin, S, ld-ctd, ⅝-18NC-2-- | ea | 1 |
| G-9 | 3320-GPWS14301 | 7713389 | FM-GPWS14301 | | CABLE, battery ground (for 12-volt system)---- | ea | 1 |
| H-1 | H001-7025711 | 120214 | | | WASHER, lock, med, S, cd or zn-pltd, ⅝ in-- | ea | 1 |
| H-1 | H001-7045561 | 120387 | | | WASHER, plain, US std, S, cd or zn-pltd, ⅝ in. (⅝ ID x ⅝ OD x ⅝ thick). | ea | 1 |
| | G503-7713416 | 7713416 | | | COVER, battery, assy (for 12-volt system)----- | ea | 1 |
| H-1 | H001-4167541 | 120376 | | | NUT, hex, light, s-fin, S, cd or zn-pltd, ⅝- 18NC-2. | ea | 4 |
| H-1 | H001-4052541 | 503513 | | | NUT, wing, heavy, S, cd or zn-pltd, ⅝- 18NC-2. | ea | 4 |
| H-1 | H001-5025541 | 214003 | | | SCREW, cap, hex-hd, S, cd or zn-pltd, ¼- 20NC-2 x 1. | ea | 2 |

| (1) NOTE SYMBOL | (2) STOCK NO. | (3) ORDNANCE PART NO. | (4) MFR'S PART NO. | (5) FIGURE NO. | (6) NOMENCLATURE | (7) UNIT OF MEAS- URE | (8) QUAN- TITY PER UNIT ASSEM- BLY |
|--------------------------------------------------------|------------------|-----------------------------|-------------------------|-------------------|------------------------------------------------------------------------------------------------|-----------------------------------|------------------------------------------------------|
| GROUP 06—ELECTRICAL SYSTEM—Continued | | | | | | | |
| 0612—BATTERIES, HANGERS, BOXES, AND CABLES—Con. | | | | | | | |
| COVER—Continued | | | | | | | |
| H-1 | H001-5026141 | 216929 | ----- | ----- | SCREW, cap, hex-hd, S, cd or zn-pltd, $\frac{5}{16}$ -18NC-2 x 1. | ea | 2 |
| H-1 | H001-7124721 | 178542 | ----- | ----- | WASHER, lock, int-ext-teeth, S, cd or zn-pltd, $\frac{5}{16}$ x 1.070 (1.045 to 1.070 in. OD). | ea | 12 |
| G-9 | 3320-GPW5165 | ----- | WO-A1291 FM-GPW5165 | ----- | FRAME, hold down, battery----- | ea | 1 |
| | | | WO-A1164 FM-GPW5175 | ----- | BOLT, S, $\frac{5}{16}$ -18NC-2 x 9----- | ea | 2 |
| H-1 | H001-7025711 | 120214 | WO-300329 | ----- | NUT, wing, S, $\frac{5}{16}$ -18NC-2----- | ea | 2 |
| | | | WO-52768 | ----- | WASHER, lock, med, S, cd or zn-pltd, $\frac{5}{16}$ in. | ea | 2 |
| | | | FM-356305S | ----- | WASHER, plain, S, $2\frac{1}{4}$ in. ID----- | ea | 2 |
| H-1 | H101-0503541 | 503103 | ----- | ----- | NUT, wing, heavy, S, cd or zn-pltd, $\frac{3}{8}$ -16NC-2 (battery hold down). | ea | 6 |
| G-9 | G503-7697853 | 7697853 | WO-A1757 FM-GPW5168 | 05-2 | STRAP, battery, hold down frame to front fender-- | ea | 1 |
| H-1 | H101-0142745 | 142745 | WO-A2466 | 05-2 | NUT, wing, light, S, cd or zn-pltd, $\frac{5}{16}$ -18NC-2 | ea | 1 |
| H-1 | H001-7025711 | 120214 | ----- | ----- | WASHER, lock, med, S, cd or zn-pltd, $\frac{5}{16}$ in. | ea | 1 |
| | | | WO-52768 | ----- | WASHER, plain, S, $2\frac{1}{4}$ in. ID----- | ea | 1 |
| | | | FM-356305S | ----- | | | |
| G-9 | G085-2215605 | ----- | WO-A1320 FM-GPW14301 | 06-9 | STRAP, ground, battery (6-volt system)----- | ea | 1 |
| H-1 | H001-4027541 | 220071 | ----- | ----- | NUT, hex, reg, s-fin, S, cd or zn-pltd, $\frac{3}{8}$ -24NF-2. | ea | 1 |
| H-1 | H001-5027121 | 213925 | ----- | ----- | SCREW, cap, hex-hd, S, cd or zn-pltd, $\frac{3}{8}$ -24NF-2 x $\frac{3}{8}$. | ea | 1 |
| H-1 | H001-7025741 | 120382 | ----- | ----- | WASHER, lock, med, S, cd or zn-pltd, $\frac{3}{8}$ in. | ea | 1 |
| H-1 | H001-7043741 | 120394 | ----- | ----- | WASHER, plain, SAE std, S, cd or zn-pltd, $\frac{3}{8}$ in. | ea | 1 |
| | | | G503-7713387 | ----- | SUPPORT, battery, assy (for 12-volt system)----- | ea | 1 |
| H-1 | H001-4167541 | 120376 | ----- | ----- | NUT, hex, light, s-fin, S, cd or zn-pltd, $\frac{5}{16}$ -18NC-2. | ea | 5 |
| H-1 | H001-5026141 | 216929 | ----- | ----- | SCREW, cap, hex-hd, S, cd or zn-pltd, $\frac{5}{16}$ -18NC-2 x 1. | ea | 4 |
| H-1 | H101-0214020 | 214020 | ----- | ----- | SCREW, cap, hex-hd, S, cd or zn-pltd, $\frac{5}{16}$ -18NC-2 x $1\frac{1}{2}$. | ea | 1 |

| | | | | | | | |
|------------------------------|-----------------|---------|-------------------------------------|------|-------------------------------------------------------------------------------------------------------------------------------------------------------------|----|---|
| H-1 | H001-7124721 | 178542 | | | WASHER, lock, int-ext-teeth, S, cd or zn-pltd, $\frac{5}{16}$. | ea | 5 |
| G-9 | 3320-11A14452 | | WO-371400 FM-11A14452 | | TERMINAL, battery. cable (12-volt system) (Superseded by TERMINAL 506243). | ea | 1 |
| H-4 | H004-0181120 | 506243 | | | TERMINAL, cable, solder, side formed, rd-end, one hole, cop. 125 amp, No. 1/0 cable, hole for $\frac{5}{16}$ in. stud. | ea | 1 |
| H-4 | H004-0116300 | 501924 | | | BOLT, battery terminal, sq-hd, S, ld-ctd, $\frac{5}{16}$ -18NC x $1\frac{1}{4}$, w/NUT. | ea | 1 |
| | G503-7743516 | 7743516 | WO-372668 FM-19BJ4451 | | TERMINAL, battery cable, positive | ea | 1 |
| H-4 | H104-0200120 | 200120 | | | TERMINAL; eyelet, solder, type N, single ear, hole for $\frac{5}{16}$ in. stud, 0.091 thick, br, No. 200 1 AWG cable (for battery to starter switch cable). | ea | 1 |
| G-9 | 3320-GPA14451C | 7713412 | FM-GPA14451C | | TERMINAL, negative, battery cable (12-volt system). | ea | 1 |
| G-9 | 3320-GPA14450C | 7713413 | FM-GPA14450C | | TERMINAL, positive, battery cable (12-volt system). | ea | 1 |
| 0613.1-CHASSIS WIRING | | | | | | | |
| G-9 | 3320-GPW14300 | | WO-A1452 FM-GPW14300 | 06-9 | CABLE, battery to starter switch, positive (6-volt system). | ea | 1 |
| G-9 | 3320-GPWS14300B | 7713417 | FM-GPWS14300B | | CABLE, battery to starter switch, positive (12-volt system). | ea | 1 |
| | | | WO-A6153 FM-GPW13181 | 06-9 | CABLE, blackout head light connector to switch | ea | 1 |
| | G503-7713379 | 7713379 | WO-A5078 WO-A5079 FM-GPW14456 | | CABLE, filter, battery to starter switch | ea | 1 |
| | | | WO-A5073 FM-GPW14459 | | CABLE, filter, coil primary to junction block | ea | 1 |
| G-9 | G503-7697865 | 7697865 | WO-A5080 FM-GPW14416 | | CABLE, filter, regulator to junction block | ea | 1 |
| G-9 | G503-7697866 | 7697866 | WO-A5070 FM-GPW14406 | | CABLE, fuel gage to circuit breaker | ea | 1 |
| G-9 | 3320-GPW14465 | | WO-A5082 FM-GPW14465 | | CABLE, fuel gage to fuel tank sending unit | ea | 1 |
| | | | WO-A5081 FM-GPW14409 | 06-9 | CABLE, generator regulator to junction block | ea | 1 |
| | | | WO-A5072 FM-GPW14458 | 06-9 | CABLE, horn to junction block, assy | ea | 1 |
| G-9 | 9680-A17337 | | WO-A17337 FM-GPW14471D | | CABLE, ignition switch to ammeter to blackout switch. | ea | 1 |
| G-9 | 3320-GPW14431 | | WO-A1454 FM-GPW14431 | 06-9 | CABLE, assy radio terminal box capacitor to ground). | ea | 1 |
| | | | | | CABLE, starting switch to starter | ea | 1 |

| (1) NOTE SYMBOL | (2) STOCK NO. | (3) ORDNANCE PART NO. | (4) MFR'S PART NO. | (5) FIGURE NO. | (6) NOMENCLATURE | (7) UNIT OF MEAS- URE | (8) QUAN- TITY PER UNIT ASSEM- BLY |
|-----------------------|------------------|-----------------------------|---------------------------------------------------|-------------------|-------------------------------------------------------------------------------------------------|-----------------------------------|------------------------------------------------------|
| | | | | | GROUP 06—ELECTRICAL SYSTEM—Continued | | |
| | | | | | 0613.1—CHASSIS WIRING—Continued | | |
| | G503-7341775 | 7341775 | WO-A5598 FM-GPW14561 | ----- | CLIP, open, ¼ in., ½ in. bolt hole----- | ea | 8 |
| | | | WO-A5449 FM-GPW14560 | ----- | CLIP, open, ⅜ in., ½ in. bolt hole----- | ea | 13 |
| | | 7713400 | ----- | ----- | CLIP, open, S, ⅜ in., 0.27 bolt hole (battery to starter switch cable) (for 12-volt system). | ea | 2 |
| H-1 | H101-0219430 | 219430 | ----- | ----- | NUT, hex, light, thick, s-fin, S, cd or zn-pltd, ¼-20NC-2. | ea | 2 |
| H-1 | H001-5025541 | 214003 | ----- | ----- | SCREW, cap, hex-hd, S, cd or zn-pltd, ¼- 20NC-2 x 1. | ea | 2 |
| H-1 | H001-7124701 | 174916 | ----- | ----- | WASHER, lock, int-ext-teeth, S, cd or zn- pltd, ¼. | ea | 4 |
| | | | WO-A1289 FM-GPW14585 | ----- | CLIP, S, closed, ⅜ in., 1½ bolt hole----- | ea | 1 |
| | G503-7343086 | 7343086 | WO-A5450 FM-GPW9295 WO-78932 FM-GPW14566 | ----- | CLIP, S, open, ⅜ in., ½ in. bolt hole----- | ea | 6 |
| | | | ----- | ----- | CLIP, S, zn-pltd, ⅝ in., ¼ in. bolt hole----- | ea | 2 |
| H-1 | H001-4135661 | 120361 | ----- | ----- | NUT, mach screw, hex, S, cd or zn-pltd, No. 10-24NC-2. | ea | 19 |
| H-1 | H001-5148271 | 120222 | ----- | ----- | SCREW, mach, rd-hd, S, cd or zn-pltd, No. 10-24NC-2 x ⅝. | ea | 19 |
| H-1 | H101-0171507 | 171507 | ----- | ----- | SCREW, tapping, rd-hd, fluted, taper-pt, S, cd or zn-pltd, No. 10-24NC-2 x ⅝. | ea | 1 |
| H-1 | H001-1049033 | 101995 | ----- | ----- | SCREW, wood, rd-hd, S, No. 10 x ⅝ in----- | ea | 1 |
| H-1 | H001-7025621 | 120217 | ----- | ----- | WASHER, lock, med, S, cd or zn-pltd, No. 10. | ea | 19 |
| | | | WO-52768 FM-356305S | ----- | WASHER, plain, S, 2¼ in. ID----- | ea | 1 |
| | | 7713408 | ----- | ----- | CONDUIT, battery to starter switch cable (for 12-volt system). | ea | 1 |
| G-9 | G503-5244794 | A244794 | WO-635981 FM-GPW14487B | 06-9 | CONNECTOR, 2 wire, assy (blackout head light harness). | ea | 1 |
| G-9 | 3320-GPW14487A | ----- | WO-635985 FM-GPW14487A | 06-9 | CONNECTOR, 3 wire, assy (head light and stop and tail light harness). | ea | 3 |
| | | 7713757 | DM-52692 | ----- | CONNECTOR, bullet terminal (blackout head light resistor). | ea | 2 |

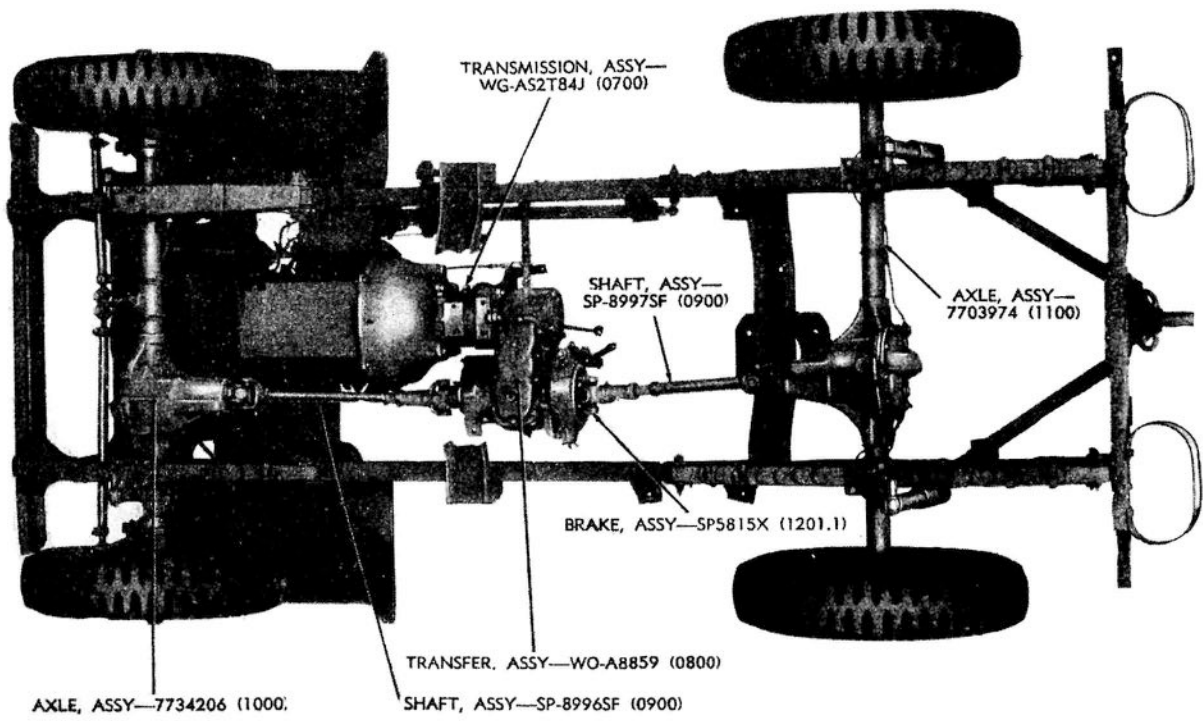
| | | | | | | | |
|-----|----------------|---------|---------------------------|------|---------------------------------------------------------------------------------------------------------------|----|---|
| G-9 | G518-7000997 | 7000997 | WO-345961 FM-GPW13434A | | GROMMET, ru, 1 $\frac{1}{2}$ in. (wiring harness thru dash trailer and coupling socket cable thru floor pan). | ea | 4 |
| G-9 | G529-7338991 | 7338991 | WO-662276 FM-GPW13437A | | GROMMET, wiring harness thru dash ($\frac{5}{8}$ in.) | ea | 1 |
| G-9 | 3320-GPW14425B | | WO-A7825 FM-GPW14425B | | HARNESS, wiring, body, assy (fabric conduit) | ea | 1 |
| | G503-7744365 | 7744365 | WO-A6355 FM-GPWS14407 | | HARNESS, wiring, body, assy (trailer coupling connection). | ca | 1 |
| G-9 | G503-7743527 | 7743527 | WO-A9144 FM-GPW14402A | | HARNESS, wiring, body, left side, short | ea | 1 |
| G-9 | | | WO-A1551 FM-GPW14402 | | HARNESS, wiring, body, left side, short (Superseded by HARNESS, WO-A6154). | ea | 1 |
| G-9 | G503-7743527 | 7743527 | WO-A6154 FM-GPW14402B | 06-9 | HARNESS, wiring, body, left side, short (used w/push pull light switch). | ea | 1 |
| G-9 | 3320-GPW14407A | | FM-GPW14407A | | HARNESS, wiring, body, long, assy (Superseded by HARNESS WO-A5048). | ea | 1 |
| G-9 | 3320-GPW14407C | | FM-GPW14407C | | HARNESS, wiring, body, long, assy (Superseded by HARNESS WO-A5048). | ea | 1 |
| G-9 | 3320-GPW14407B | | FM-GPW14407B | | HARNESS, wiring, body, long, assy (Superseded by HARNESS WO-A5048). | ea | 1 |
| G-9 | G503-7704014 | 7704014 | WO-A5048 FM-GPW14401D | 06-9 | HARNESS, wiring, body, long, assy (used w/dimmer switch WO638979). | ea | 1 |
| G-9 | 3320-GPW14401F | | WO-A9220 FM-GPW14401F | | HARNESS, wiring, body, long, assy (used w/dimmer switch WO-A12056). | ea | 1 |
| G-9 | 3320-GPW14446 | | WO-A5061 FM-GPW14446 | 06-9 | HARNESS, wiring, chassis, left side, assy | ea | 1 |
| G-9 | 3320-GPW14432 | | WO-A5981 FM-GPW14432 | 06-9 | HARNESS, wiring, filter, assy (consists of 4 cables). | ea | 1 |
| G-9 | 3320-GPW14305D | | FM-GPW14305D WO-A7824 | | HARNESS, wiring, generator to voltage regulator (6-volt system). | ea | 1 |
| | G503-7713904 | 7713904 | | | HARNESS, wiring, generator to voltage regulator, assy (12-volt system). | ea | 1 |
| G-9 | 3320-GPW14305 | | WO-A5074 FM-GPW14305 | 06-9 | HARNESS, wiring, generator to voltage regulator and filter, assy. | ea | 1 |
| G-9 | 3320-GPW14425 | | WO-A1665 FM-GPW14425 | 06-9 | HARNESS, wiring, head light, assy (metal conduit) | ea | 1 |
| H-1 | H001-5148891 | 132923 | | | SCREW, mach, rd-hd, S, cd or zn-pltd, No. 10-32NF-2 x 1 (clip to fender). | ea | 1 |
| H-1 | H101-0426903 | 426903 | | | NUT, mach screw, hex, S, cd or zn-pltd, No. 10-32NF-3. | ea | 1 |
| H-1 | H001-7124621 | 178378 | | | WASHER, lock, int-ext-teeth, S, cd or zn-pltd, No. 10. | ea | 1 |
| | 3320-GPW-18846 | | WO-A5041 FM-GPW18846 | | STRAP (generator regulator to generator) | ea | 1 |

| (1) NOTE SYMBOL | (2) STOCK NO. | (3) ORDNANCE PART NO. | (4) MFR'S PART NO. | (5) FIGURE NO. | (6) NOMENCLATURE | (7) UNIT OF MEAS- URE | (8) QUAN- TITY PER UNIT ASSEM- BLY |
|---------------------------------------------|------------------------------|-----------------------------|--------------------------|-------------------|---------------------------------------------------------------------------------------------------------|-----------------------------------|------------------------------------------------------|
| GROUP 06—ELECTRICAL SYSTEM—Continued | | | | | | | |
| 0615—RADIO SUPPRESSION ITEMS | | | | | | | |
| H-1 | G503-7058931 H101-0426903 | 7058931 426903 | ----- | 06-10 | BRACKET, distributor shield, assy - | ea | 1 |
| H-1 | H001-5148891 | 132923 | ----- | 06-10 | NUT, mach screw, hex, S, cd or zn-pltd, No. 10-32NF-3. | ea | 1 |
| H-1 | H001-5148831 | 132900 | ----- | ----- | SCREW, mach, rd-hd, S, cd or zn-pltd, No. 10-32NF-2 x 1. | ea | 1 |
| H-1 | H001-7025621 | 120217 7058919 | ----- | 06-10 | SCREW, mach, rd-hd, S, cd or zn-pltd, No. 10-32NF-2 x 3/8. | ea | 1 |
| H-1 | H101-0426903 | 426903 | ----- | 06-10 | WASHER, lock, med, S, cd or zn-pltd, No. 10. | ea | 2 |
| H-1 | H001-5148831 | 132900 | ----- | 06-10 | BRACKET, hold down, distributor shield (for 12-volt system). | ea | 1 |
| H-1 | H001-7025621 | 120217 7058926 | ----- | 06-10 | NUT, mach screw, hex, S, cd or zn-pltd, No. 10-32NF-3. | ea | 1 |
| | G503-7713393 | 7713393 | SPR-2159 | 06-10 | SCREW, mach, rd-hd, S, cd or zn-pltd, No. 10-32NF-2 x 3/8. | ea | 1 |
| | G503-7713394 | 7713394 | ----- | 06-10 | WASHER, lock, med, S, cd or zn-pltd, No. 10. | ea | 1 |
| H-1 | H101-0426903 | 426903 | ----- | 06-10 | BRACKET, ignition coil shield, assy (for 12-volt system). | ea | 1 |
| H-1 | H001-5148831 | 132900 | ----- | 06-10 | CAPACITOR, 0.1 MFD (filter, ignition coil, body and bracket) (for 12-volt system). | ea | 2 |
| H-1 | H001-7025621 | 120217 | ----- | 06-10 | CAPACITOR, 0.01 MFD (starter switch and generator regulator battery terminal) (for 12-volt system). | ea | 2 |
| H-4 | H004-0502028 | 502028 | ----- | 06-10 | NUT, mach screw, hex, S, cd or zn-pltd, No. 10-32NF-3. | ea | 8 |
| H-1 | H101-0178460 | 178460 | ----- | 06-10 | SCREW, mach, rd-hd, S, cd or zn-pltd, No. 10-32NF-2 x 3/8. | ea | 8 |
| | | | ----- | 06-10 | WASHER, lock, med, S, cd or zn-pltd, No. 10. | ea | 8 |
| G-9 | 3320-GPW18938B | ----- | WO-A8010 FM-GPW18938B | ----- | CAPACITOR, end mounting clip, 100 v, d-c, 0.10 MFD, CA-448, 1/2 in. screw hole (filter radio terminal). | ea | 1 |
| | | | ----- | ----- | SCREW, ext-teeth, lock washer, rd-hd, header-pt, S, cd or zn-pltd, No. 8-32NC-2 x 3/8. | ea | 1 |
| | | | ----- | ----- | CAPACITOR, filter, generator regulator battery terminal (Superseded by CAPACITOR 502025). | ea | 1 |

| | | | | | | | |
|-----|--------------------------------|---------|------------------------------------------------------|-------|------------------------------------------------------------------------------------------------------------------------------------------------|----|---|
| G-9 | 3320-GPW18935B | | WO-A7848 FM-GPW18935B | | CAPACITOR, filter, ignition coil (Superseded by CAPACITOR 502025). | ea | 1 |
| G-9 | 3320-GPW18937 | | WO-A8884 FM-GPW18937 | | CAPACITOR, filter, ignition switch (Superseded by CAPACITOR 502011). | ea | 1 |
| H-4 | H004-0502025 | 502025 | | | CAPACITOR, LH mounting clip, 100 v, d-c, 0.10 MFD, CA-445, 1/2 in. screw hole (filter generator regulator battery terminal and ignition coil). | ea | 2 |
| H-1 | H101-0178460 | 178460 | | | SCREW, ext-teeth, lock washer, rd-hd, header-pt, S, cd or zn-pltd, No. 8-32NC-2 x 3/8. | ea | 1 |
| H-4 | H004-0502022 | 502022 | | | CAPACITOR, RH mounting, clip, 100 v, d-c, 0.10 MFD, CA-442, 1/2 screw hole (filter starter switch and generator armature). | ea | 2 |
| H-1 | H101-0178460 | 178460 | | | SCREW, ext-teeth, lock washer, rd-hd, header-pt, S, cd or zn-pltd, No. 8-32NC-2 x 3/8. | ea | 2 |
| H-4 | H004-0502011 | 502011 | | | CAPACITOR, RH, mounting clip, 100 v, d-c, 0.01 MFD, CA-431, 1/2 screw hole (filter ignition switch and generator regulator field terminal). | ea | 2 |
| H-1 | H101-0178460 | 178460 | | | SCREW, ext-teeth, lock washer, rd-hd, header-pt, S, cd or zn-pltd, No. 8-32NC-2 x 3/8. | ea | 2 |
| G-9 | G503-7058924 3320-GPW18937B | 7058924 | WO-A8883 FM-GPW18937B | 06-10 | COVER, spark plug, radio suppression shield, assy. | ea | 1 |
| G-9 | 3320-GPW18960 | | WO-A5980 FM-GPW18960 | | FILTER, generator regulator field terminal (0.01 MFD) (Superseded by CAPACITOR 502011). | ea | 1 |
| H-4 | H004-0500301 | 500301 | | | FILTER, radio suppression, w/COVER, assy. | ea | 1 |
| G-9 | | | WO-A5337 FM-GPW18935A WO-A1287 FM-GPW18936A | | FILTER, type FL-23, 10 amp, 30 v, d-c (generator regulator) (for 12-volt system). | ea | 1 |
| | | 7713381 | | 06-10 | FILTER UNIT, generator ground to armature circuit. | ea | 1 |
| | | 7713384 | | 06-10 | FILTER UNIT, generator regulator (mounted on regulator). | ea | 1 |
| H-1 | H001-5148891 | 132923 | | 06-10 | INSULATOR, generator field terminal (on ignition coil shield). | ea | 1 |
| H-1 | H101-0426903 | 426903 | | 06-10 | INSULATOR, washer type, fibre 0.194 ID, 0.310 OD, 0.04 thk (regulator post to rivet body) (for 12-volt system). | ea | 1 |
| H-1 | H001-7025621 | 120217 | | 06-10 | SCREW, mach, rd-hd, S, cd or zn-pltd, No. 10-32NF-2 x 1 (generator field terminal) (on ignition coil shield) (for 12-volt system). | ea | 1 |
| H-1 | H001-7045491 | 120385 | | 06-10 | NUT, mach screw, hex, S, cd or zn-pltd, No. 10-32NF-3. | ea | 2 |
| | | | | | WASHER, lock, med, S, cd or zn-pltd, No. 10. | ea | 3 |
| | | | | | WASHER, plain, US std, S, cd or zn-pltd, No. 10. | ea | 2 |

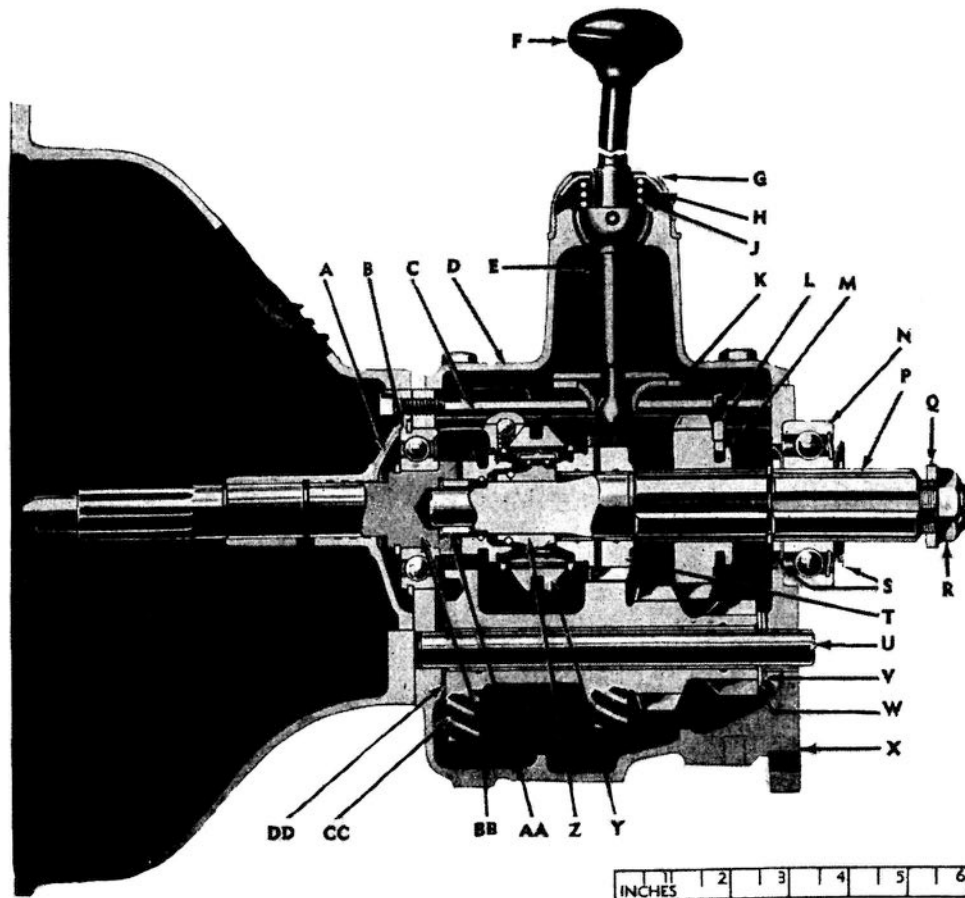
| (1) NOTE SYMBOL | (2) STOCK NO. | (3) ORDNANCE PART NO. | (4) MFR'S PART NO. | (5) FIGURE NO. | (6) NOMENCLATURE | (7) UNIT OF MEAS- URE | (8) QUAN- TITY PER UNIT ASSEM- BLY |
|-----------------------|------------------|-----------------------------|---------------------------|-------------------|-----------------------------------------------------------------------------------------|-----------------------------------|------------------------------------------------------|
| | | | | | GROUP 06—ELECTRICAL SYSTEM—Continued | | |
| | | | | | 0615—RADIO SUPPRESSION ITEMS—Continued | | |
| | G503-7058927 | 7058927 | ----- | 06-10 | SHIELD, ignition coil radio interference, assy (for 12-volt system). | ea | 1 |
| | G503-7058923 | 7058923 | ----- | 06-10 | SHIELD, spark plug, radio interference----- | ea | 1 |
| | G503-7058922 | 7058922 | ----- | 06-10 | SHIELD, distributor radio interference, assy (for 12-volt system). | ea | 1 |
| G-9 | 3320-GPW18876B | ----- | WO-A11766 FM-GPW18876B | ----- | STRAP, bond, No. 1 and No. 2 (hood to cowl)--- | ea | 2 |
| G-9 | 3320-GPW18876 | ----- | WO-A5038 FW-GPW18876 | ----- | STRAP, bond, No. 1 and No. 2 (cowl to hood left and right). | ea | 2 |
| G-9 | 3320-GPW18858 | ----- | WO-A5033 FM-GPW18858 | ----- | STRAP, bond, No. 3 (cylinder head to dash) (Superseded by STRAP WO-A7826). | ea | 1 |
| G-9 | 3320-GPW18840 | ----- | WO-A7826 FM-GPW18840 | ----- | STRAP, bond No. 3 (cylinder head to dash)----- | ea | 1 |
| G-9 | 3320-GPW18849 | ----- | WO-A5035 FM-GPW18849 | ----- | STRAP, bond, No. 4 (hand brake cable, speedometer cable, head indicator cable to dash). | ea | 1 |
| G-9 | 3320-GPW18853 | ----- | WO-A5039 FM-GPW18853 | ----- | STRAP, bond, No. 5 (fuel line to dash)----- | ea | 1 |
| G-9 | 3320-GPW18850 | ----- | WO-A5040 FM-GPW18850 | ----- | STRAP, bond, No. 6 (choke and throttle controls, and oil gage to dash). | ea | 1 |
| G-9 | 3320-GPW18857 | ----- | WO-A5037 FM-GPW18857 | ----- | STRAP, bond, No. 7 (generator mounting bolt to starter bracket). | ea | 1 |
| G-9 | 3320-GPW18846 | ----- | WO-A5041 FM-GPW18846 | ----- | STRAP, bond, No. 8 (generator regulator ground)--- | ea | 1 |
| G-9 | 3320-GPW18873 | ----- | WO-A5034 FM-GPW18873 | ----- | STRAP, bond, No. 9 (ignition coil to cylinder block). | ea | 1 |
| G-9 | 3320-GPW14303 | ----- | WO-A1098 FM-GPW14303 | 06-9 | STRAP, bond, No. 10 (engine front plate to frame, right). | ea | 1 |
| G-9 | 3320-GPW18874 | ----- | WO-A5036 FM-GPW18874 | ----- | STRAP, bond, No. 11 (engine front plate to frame, left). | ea | 1 |
| G-9 | 3320-GPW18854 | ----- | WO-A5027 FM-GPW18854 | ----- | STRAP, bond, No. 12 (exhaust pipe ground connection to frame). | ea | 1 |
| G-9 | 3320-GPW18859 | ----- | WO-A5032 FM-GPW18859 | ----- | STRAP, bond No. 13 and No. 14 (radiator left and right, stud to frame). | ea | 2 |

| | | | | | | |
|---------------------------------------|---------------|---------|---------------------------------------------------|---------------------------------------------------------------------------------------------------|----|---|
| G-9 | 3320-GPW18872 | | WO-A5031 FM-GPW18872 | STRAP, bond, No. 15 (engine rear support to cross member frame). | ea | 1 |
| G-9 | 3320-GPW18871 | | WO-A5030 FM-GPW18871 | STRAP, bond, No. 16 (transfer case to floor stud) | ea | 1 |
| G-9 | 3320-GPW18852 | | WO-A1699 FM-GPW18852 | STRAP, bond, No. 21 and No. 22 (hood to brush guard, right and left). | ea | 2 |
| H-1 | H001-4167561 | 120368 | | NUT, hex, light s-fin, S, cd or zn-pltd, $\frac{5}{16}$ 24NF-2. | ea | 8 |
| | G503-7337558 | 7337558 | WO-A1285 | SUPPRESSOR, spark plugs (Superseded by SUPPRESSOR 500321). | ea | 5 |
| | G503-7740517 | 7740517 | WO-A6320 FM-GPW18825 | SUPPRESSOR, spark plug (Superseded by SUPPRESSOR 500321). | ea | 5 |
| H-4 | H004-0500321 | 500321 | | SUPPRESSOR, spark plug elbow type, 10,000 ohm, Type SPK-VR, or equal. | ea | 5 |
| 0617-TRAILER ELECTRIC COUPLING | | | | | | |
| G-9 | G529-7010531 | 7010531 | WO-A6393 FM-GPW5186 WO-A6356 FM-09B14362 | BOLT, eye, S, cd, $1\frac{1}{4}$ eye, $\frac{1}{2}$ -13NC-2 x $1\frac{1}{2}$ | ea | 2 |
| | | | | CABLE, trailer coupling socket to ground | ea | 1 |
| H-4 | H004-0329000 | 500705 | | COVER, electric brake coupling socket | ea | 1 |
| H-4 | H004-0500495 | 500495 | | GASKET, coupling socket, ru, $1\frac{1}{4}$ ID, $4\frac{1}{8}$ OD, $\frac{1}{16}$ thk. | ea | 1 |
| H-4 | H004-0500703 | 500703 | | SOCKET, coupling, 4-contact, w/hinged cover, assy. | ea | 1 |
| H-1 | H001-4027501 | 218584 | | NUT, hex, reg, s-fin, S cd or zn-pltd, $\frac{1}{4}$ -28NF-2. | ea | 4 |
| H-1 | H001-5025821 | 213880 | | SCREW, cap, hex-hd, S, cd or zn-pltd, $\frac{1}{4}$ -28NF-2 x $\frac{3}{4}$ (Willys only). | ea | 2 |
| H-1 | H001-5025831 | 213885 | | SCREW, cap, hex-hd, S, cd or zn-pltd, $\frac{1}{4}$ -28NF-2 x $\frac{7}{8}$ (Ford only). | ea | 4 |
| H-1 | H001-5025841 | 213888 | | SCREW, cap, hex-hd, S, cd or zn-pltd, $\frac{1}{4}$ -28NF-2 x 1 (Willys only). | ea | 2 |
| H-1 | H001-7025685 | 115109 | | WASHER, lock, med, S, phos-ctd, $\frac{1}{4}$ in. | ea | 4 |
| H-1 | H001-7124701 | 174916 | | WASHER, lock, int-ext-teeth, S, cd or zn-pltd, $\frac{1}{4}$ in. | ea | 4 |
| H-4 | H004-0500497 | 500497 | | RING, coupling, socket cover, S, $3\frac{3}{8}$ ID, $4\frac{1}{8}$ OD, 0.083 thk. | ea | 1 |
| H-1 | H001-7021681 | 121801 | | WASHER, lock, int-teeth, reg, S, cd or zn-pltd, No. 10 (terminal screw). | ea | 4 |
| G-9 | G571-7698344 | 7698344 | WEB-110110 WO-A8087 FM-34753S | WASHER, plain, br, $1\frac{3}{4}$ ID, $\frac{1}{16}$ OD, 18 ga (terminal screw). | ea | 4 |
| M-5 | G544-0788832 | A190691 | WEB-110242 WO-A8088 | WASHER, terminal, cupped, br, cd-pltd, $1\frac{3}{4}$ ID x $2\frac{3}{8}$ OD x 0.040 thk (cover). | ea | 1 |



RA PD 28857G

Figure 07-1. Power train—bottom view.

**KEY ITEM**

A—RETAINER
B—BEARING
C—SHAFT
D—HOUSING, ASSY
E—LEVER, ASSY
F—KNOB
G—CAP
H—WASHER
J—SPRING
K—PLATE, ASSY
L—FORK
M—GEAR
N—BEARING
P—SHAFT
Q—WASHER
R—NUT
S—WASHER
T—GEAR
U—COUNTERSHAFT
V—WASHER
W—WASHER
X—CASE, ASSY
Y—SLEEVE
Z—HUB
AA—ROLLER
BB—GEAR
CC—GEAR
DD—WASHER

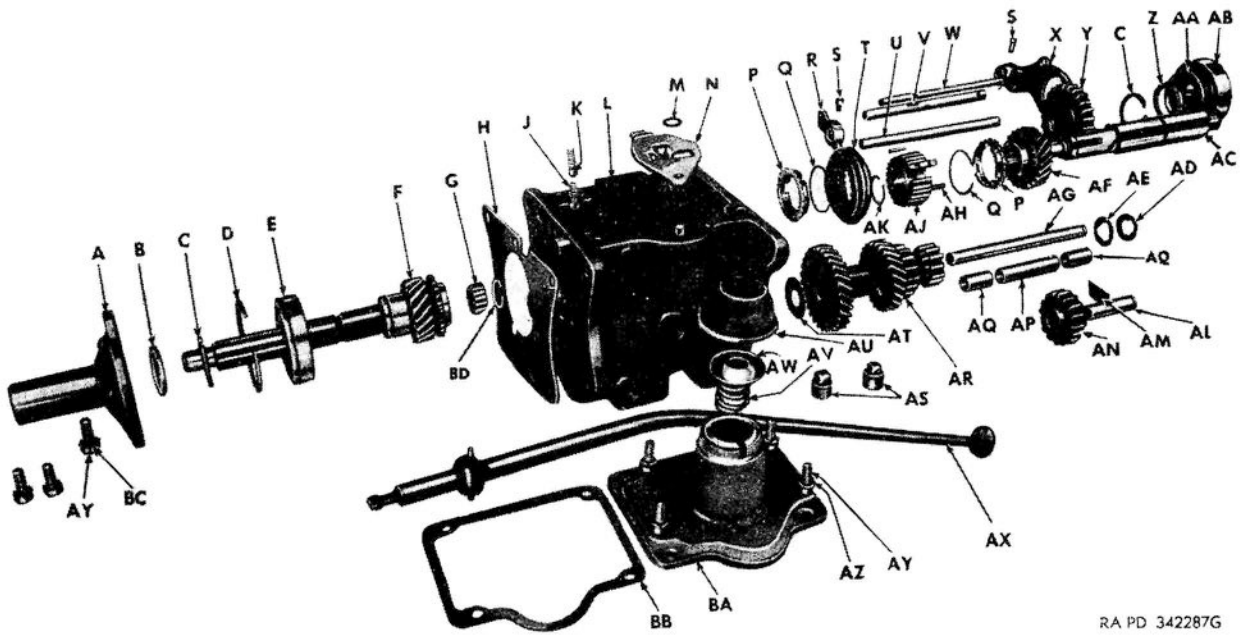
PART NO.

WG-T84J6
 700902
 WG-T84J21
 WG-T84A148
 WG-AC84J2A
 SP-39Q20
 WG-4496K
 WG-4497
 WG-4498K
 WG-AT84J25
 WG-T84C24A
 WG-T84F12A
 700388
 WG-T84H2
 WG-T84J50½A
 WG-T9-50P
 WG-T84H137
 WG-T84F11A
 WG-T84G3
 WG-T84J29
 WG-T84-29
 WG-T84J1A
 WG-T84F15
 WG-T84J2½
 WG-T84J16A
 WG-T84J8
 WG-T84B30A

GROUP

0702.1
 0702.1
 0704
 0704
 0704
 0704
 0704
 0704
 0704
 0704
 0704
 0702.2
 0702.2
 0702.2
 0702.2
 0802.1
 0802.1
 0702.2
 0702.2
 0702.3
 0702.3
 0702.3
 0701
 0702.2
 0702.2
 0702.1
 0702.3
 0702.3

Figure 07-2. Transmission—cross section.



RA PD 342287G

Figure 07-3. Transmission—exploded view.

| Key | Key Item | Piece mark | Group | Key | Key Item | Piece mark | Group |
|-----|------------|--------------|---------|-----|---------------|-------------|---------|
| A | RETAINER | WG-T84J6 | 0702. 1 | AC | SHAFT | WG-T84H2 | 0702. 2 |
| B | SEAL | WG-T84J54 | 0702. 1 | AD | WASHER | WG-T84J29 | 0702. 3 |
| C | RING | WG-T8417 | 0702. 1 | AE | WASHER | WG-T84-29 | 0702. 3 |
| D | RING | WG-B7070 | 0702. 1 | AF | GEAR | WG-T84F11A | 0702. 2 |
| E | BEARING | 700902 | 0702. 1 | AG | COUNTERSHAFT | WG-T84G3 | 0702. 3 |
| F | GEAR | WG-T84J16A | 0702. 1 | AH | PLATE | WG-T84F13 | 0702. 2 |
| G | ROLLER | BN-C1110Q | 0702. 2 | AJ | HUB | WG-T84J2½ | 0702. 2 |
| H | GASKET | WG-T84D145C | 0700 | AK | RING | WG-4686 | 0702. 2 |
| J | SPRING | WG-T84-42 | 0704 | AL | SHAFT | WG-T84G35 | 0702. 3 |
| K | BALL | 169110 | 0704 | AM | PLATE | WG-T84G48 | 0702. 3 |
| L | CASE, ASSY | WG-T84J1A | 0701 | AN | GEAR | WG-AT84F10A | 0702. 3 |
| M | SPRING | WG-T84-31 | 0704 | AP | SPACER | WG-T84J28 | 0702. 3 |
| N | PLATE | WG-AT84J25 | 0704 | AQ | BEARING | WG-T84J167 | 0702. 3 |
| P | RING | WG-T84F14 | 0702. 2 | AR | GEAR | WG-T84J8 | 0702. 3 |
| Q | RING | WG-4682K | 0702. 2 | AS | PLUG | WO-5140 | 0701 |
| R | FORK | WG-T84C23A | 0704 | AT | WASHER | WG-T84B30A | 0702. 3 |
| S | SCREW | WG-4418M | 0704 | AU | CAP | WG-4496K | 0704 |
| T | SLEEVE | WG-T84F15 | 0702. 2 | AV | SPRING | WG-4498K | 0704 |
| U | SHAFT | WG-T84J20A | 0704 | AW | WASHER | WG-4497 | 0704 |
| V | SHAFT | WG-T84J21 | 0704 | AX | LEVER, ASSY | WG-AC84J2A | 0704 |
| W | PIN | WG-T84-22 | 0704 | AY | SCREW | 214647 | 0702. 1 |
| X | FORK | WG-T84C24A | 0704 | AZ | WASHER | 120214 | 0704 |
| Y | GEAR | WG-T84F12A | 0702. 2 | BA | HOUSING, ASSY | WG-T84A148 | 0704 |
| Z | SPACER | WG-4299A137A | 0702. 2 | BB | GASKET | WG-T84-115 | 0704 |
| AA | WASHER | WG-T84H137 | 0702. 2 | BC | WASHER | 120393 | 0702. 1 |
| AB | BEARING | 700388 | 0702. 2 | BD | RING | WG-T84G25 | 0702. 2 |

Figure 07-3. Transmission—exploded view—Continued.

| (1) NOTE SYMBOL | (2) STOCK NO. | (3) ORDNANCE PART NO. | (4) MFR'S PART NO. | (5) FIGURE NO. | (6) NOMENCLATURE | (7) UNIT OF MEAS- URE | (8) QUAN- TITY PER UNIT ASSEM- BLY |
|------------------------------------------|------------------|-----------------------------|--------------------------------------------------------------------------------|-------------------|----------------------------------------------------------------------------------------------------------------------------------------------------|-----------------------------------|------------------------------------------------------|
| GROUP 07—TRANSMISSION | | | | | | | |
| 0700—TRANSMISSION ASSEMBLY | | | | | | | |
| G-9 | 9410-T84D145C | ----- | WG-T84D145C WO-637495 FM-GPW7051B WO-A7596 | 07-3 01-1 | GASKET, transmission to flywheel housing----- TRANSMISSION, assy (Includes clutch release BEARING, CARRIER, SPRING, LEVER, and CABLE) | ea ea | 1 1 1 |
| G-9 | 9410-AS2T84J | ----- | WG-AS2T84J WO-A1145 FM-GPW7000 FM-GPW7000B WO-630101 FM-355597S | 07-1 | TRANSMISSION, w/gear shift LEVER, assy---- | ea | 1 |
| M-5 | 3320-355597S | ----- | WO-630101 FM-355597S | ----- | BOLT, hex-hd, S, $\frac{3}{8}$ -24NF-2 x 2 $\frac{1}{2}$ ----- | ea | 2 |
| H-1 | H001-4027541 | 225831 | ----- | ----- | NUT, hex, reg, s-fin, S, cd or zn-pltd, $\frac{3}{8}$ - 24NF-2 | ea | 8 |
| H-1 | H101-0215544 | 215544 | ----- | ----- | SCREW, cap, hex-hd, S, cd or zn-pltd, $\frac{3}{8}$ - 24NF-2 x 1 $\frac{1}{8}$ | ea | 4 |
| H-1 | H101-0215550 | 215550 | ----- | ----- | SCREW, cap, hex-hd, S, cd or zn-pltd, $\frac{3}{8}$ - 24NF-2 x 1 $\frac{1}{8}$. | ea | 2 |
| H-1 | H001-7025745 | 115093 | ----- | ----- | WASHER, lock, med, S, phos-ctd, $\frac{3}{8}$ in.----- | ea | 8 |
| 0701—TRANSMISSION CASE AND COVERS | | | | | | | |
| G-9 | 9410-AT84J1A | ----- | WG-T84J1A WO-A1148 FM-GPW7005 FM-GPW7005A WO-630103 FM-GPW7518 | 07-2, 3 | CASE, assy (Includes oil retaining CUP and coun- ter-shaft washer PIN). | ea | 1 |
| G-9 | 3 320-GPW7518 | ----- | WO-630103 FM-GPW7518 | ----- | COVER, inspection----- | ea | 1 |
| H-1 | H001-5025501 | 214001 | ----- | ----- | SCREW, cap, hex-hd, S, cd or zn-pltd, $\frac{1}{4}$ - 20NC-2 x 1 $\frac{1}{2}$. | ea | 2 |
| H-1 | H001-7025685 | 115109 | ----- | ----- | WASHER, lock, med, S, phos-ctd, $\frac{1}{4}$ in.----- | ea | 2 |
| G-9 | 9410-4684 | ----- | WG-4684 WO-637503 FM-GPW7056 WO-5140 FM 353064S | 07-3 | CUP, oil retaining, second and high speed shifter shaft. | ea | 1 |
| H-6 | H006-0283571 | 103868 | WO-5140 FM 353064S | 07-3 | PLUG, pipe, sq-hd, CI, $\frac{1}{2}$ in. (transmission filling and drain openings). | ea | 2 |

| | | | | | 0702.1—TRANSMISSION INPUT DRIVE GEAR, BEARINGS, AND RETAINER | | |
|------|--------------|---------|------------------------------------------------------------------|-----------------|--------------------------------------------------------------------------------------------------------------------------------------------------|----|---|
| H-12 | H012-1343035 | 700902 | ND-47507 | 07-2, 3 | BEARING, ball, No. 35BC02GP (Radial, SR, non-loading groove, light, snap ring, 1 shield, 1.378 bore, 2.8346 OD, 0.6693 width) (main drive gear). | ea | 1 |
| G-9 | 9410-T84J16A | ----- | WG-T84J16A WO-A5554 FM-GPW7017 | 02-1 07-2, 3 | BEARING, pilot, bushing type (see group 0201) -- | ea | 1 |
| G-9 | 3320-GPW7015 | ----- | WG-AT84J15A WO-A5553 FM-GPW7015 | ----- | GEAR, drive, main, w/BEARINGS, assy----- | ea | 1 |
| G-9 | 9410-T84J6 | ----- | WG-T84J6 WO-640017 FM-GPW7050 | 07-2, 3 | RETAINER, main drive gear bearing----- | ea | 1 |
| H-1 | H101-0214647 | 214647 | ----- | 07-3 | SCREW, cap, hex-hd, S, cd or zn-pltd, $\frac{5}{16}$ -18NC-2 x $\frac{3}{8}$. | ea | 3 |
| H-1 | H001-7043711 | 120393 | ----- | 07-3 | WASHER, plain, SAE std, S, cd or zn-pltd, $\frac{5}{16}$ in. | ea | 3 |
| G-9 | G503-5296576 | A296576 | WG-B7070 WO-635846 FM-B7070 | 07-3 | RING, snap, main drive gear bearing (2 $\frac{1}{16}$ ID) -- | ea | 1 |
| G-9 | G154-0279846 | A307335 | WG-T8417 WO-635844 FM-GPW7064 | 07-3 | RING, snap, main drive gear oil seal (1 $\frac{1}{2}$ ID) ---- | ea | 1 |
| G-9 | G154-0382810 | A308198 | WG-T84J54 WO-640018 FM-GPW7052 | 07-3 | SEAL, oil, main drive gear bearing retainer----- | ea | 1 |
| | | | | | 0702.2—TRANSMISSION MAIN SHAFT, GEARS, BEARINGS, AND SYNCHRONIZER | | |
| H-12 | H012-1314035 | 700388 | MRC-307SF | 07-2, 3 08-1 | BEARING, ball, No. 35BC03P (Radial SR, non-loading groove, medium, 1 shield, 1.378 bore, 3.1496 OD, 0.8260 width) (main shaft, rear). | ea | 1 |
| G-9 | 9410-T84C19 | ----- | WG-T84C19 WO-635820 WO-640006 FM-GPW7104 FM-GPW7104A | ----- | BEARING, bushing type, main shaft second speed gear. | ea | 1 |
| G-9 | 9410-T84F11A | ----- | WG-T84F11A WO-638798 FM-GPW7102 | 07-2, 3 | GEAR, second speed, w/BUSHING, assy (22 T.. 2.090 OD). | ea | 1 |

| (1) NOTE SYMBOL | (2) STOCK NO. | (3) ORDNANCE PART NO. | (4) MFR'S PART NO. | (5) FIGURE NO. | (6) NOMENCLATURE | (7) UNIT OF MEAS- URE | (8) QUAN- TITY PER UNIT ASSEM- BLY |
|----------------------------------------------------------------------------------------|------------------|-----------------------------|---------------------------------------------------|-------------------|---------------------------------------------------------------------------------------------------------------|-----------------------------------|------------------------------------------------------|
| GROUP 07—TRANSMISSION—Continued | | | | | | | |
| 0702.2—TRANSMISSION MAIN SHAFT, GEARS, BEARINGS, AND SYNCHRONIZER—Continued | | | | | | | |
| G-9 | 9410-T84F12A | ----- | WG-T84F12A WO-636879 FM-GPW7100 | 07-2, 3 | GEAR, sliding, low and reverse speed (25 T., 3.265 OD, 1¼ thk). | ea | 1 |
| G-9 | G179-6266177 | B266177 | WG-T84J2½ WO-A6319 FM-GPW7105 | 07-2, 3 | HUB, second and high speed synchronizer (pre- viously known as GEAR). | ea | 1 |
| G-9 | G503-5307421 | A307421 | WG-T84F13 WO-637832 FM-GPW7116 | 07-3 | PLATE, shifting, second and high speed synchron- izer. | ea | 3 |
| G-9 | G154-0369905 | B266117 | WG-T84F14 WO-637834 FM-GPW7107 | 07-3 | RING, blocking, second and high speed synchron- izer. | ea | 2 |
| G-9 | G154-0367641 | A307502 | WG-T84G25 WO-639423 FM-GPW7063 | 07-3 | RING, snap, main shaft pilot rollers----- | ea | 1 |
| G-9 | G154-0369909 | A307456 | WG-4682K WO-637831 FM-GPW7109 | 07-3 | RING, snap, second and high speed synchronizer (previously known as SPRING). | ea | 2 |
| G-9 | 9410-4686 | ----- | WG-4686 WO-637835 FM-GPW7059 | 07-3 | RING, snap, second and high speed synchronizer hub (1½ ID). | ea | 1 |
| G-9 | G154-0118006 | A307501 | BN-C1110Q WG-T84G26 WO-639422 FM-GPW7120 | 07-2, 3 | ROLLER, S, spherical end type, 0.1875 diam x 0.527 lgh (main shaft pilot bearing) (In main drive gear). | ea | 13 |
| G-9 | 9410-T84H2 | ----- | WG-T84H2 WO-A519 FM-GPW7061 | 07-2, 3 | SHAFT, main----- | ea | 1 |
| G-9 | 9410-AT84H2 | ----- | WG-AT84H2 WO-A518 | ----- | SHAFT, main, w/GEARS, assy----- | ea | 1 |
| G-9 | 9410-1AT84H2 | ----- | WG-1AT84H2 WO-A6317 FM-GPW7060 | ----- | SHAFT, main, w/GEARS and blocking RING, assy. | ea | 1 |

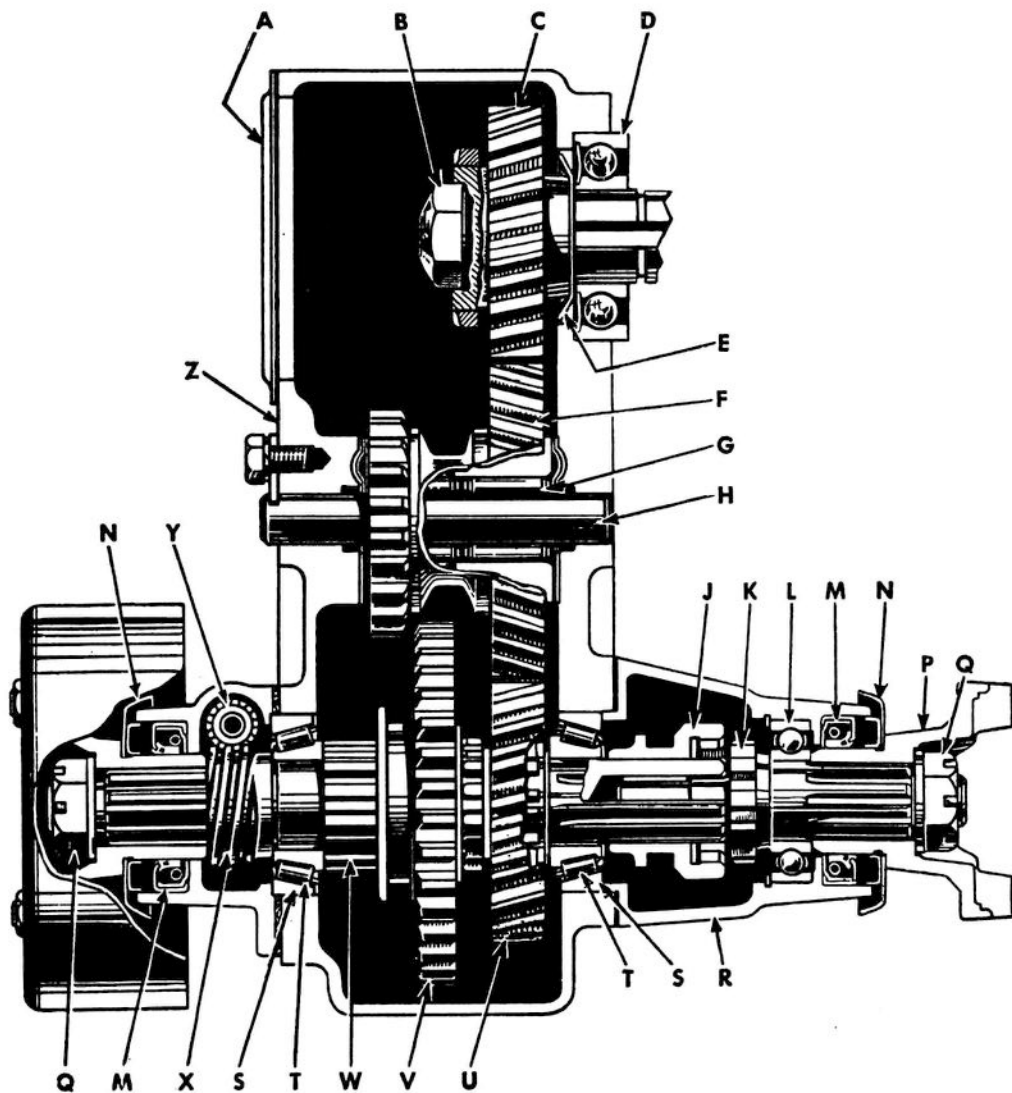
| | | | | | | | |
|--------------------------------------------------------------------------|------------------|---------|-----------------------------------------------------|--------------------|--------------------------------------------------------------------|----|---|
| G-9 | 9410-4229A138A | | WG-4229A138A WO-A15428 FM-GPW7082 | | SEAL, oil, main shaft ¹ | ea | 1 |
| G-9 | 9410-T84F15 | | WG-T84F15 WO-637833 FM-GPW7106 | 07-2, 3 | SLEEVE, second and high speed synchronizer | ea | 1 |
| G-9 | 9410-T84H137-12 | | WG-T84H137-12 WO-A738 FM-GPW7062 | | SPACER, rear bearing (Superseded by SPACER WG-4299A137A). | ea | 1 |
| G-9 | 9410-4299A137A | | WG-4299A137A WO-A15427 FM-GPW7062B | 07-3 | SPACER, rear bearing ¹ | ea | 1 |
| G-9 | 9410-1AT84J2-1-2 | | WG-1AT84J2½ WO-A6318 FM-GPW7124 | | SYNCHRONIZER, second and high speed, w/blocking RING, assy. | ea | 1 |
| G-9 | 9410-T84H137 | | WG-T84H137 WO-A410 FM-GPW7080 | 07-2, 3 08-1, 2 | WASHER, oil retaining, main shaft | ea | 2 |
| 0702.3-TRANSMISSION COUNTERSHAFT, IDLER SHAFT, GEARS, AND SPACERS | | | | | | | |
| G-9 | G154-0128027 | A307671 | WG-T84J167 WO-A878 FM-GPW7121 | 07-3 | BEARING, bushing type, countershaft cluster gear. | ea | 2 |
| G-9 | G154-0128020 | A307419 | WG-T8485A WO-635804 FM-GPW7143 FM-GPW7143A | | BEARING, bushing type, reverse idler gear | ea | 1 |
| G-9 | G154-0140061 | A307504 | WG-T84G3 WO-638948 FM-GPW7111 | 07-2, 3 | COUNTERSHAFT | ea | 1 |
| G-9 | 9410-T84J8 | | WG-T84J8 WO-A8977 FM-GPW7113 | 07-2, 3 | GEAR, drive cluster | ea | 1 |
| G-9 | 9410-AT84J8 | | WG-AT84J8 WO-A739 | | GEAR, drive, cluster, w/BEARINGS and SPACER, assy. | ea | 1 |
| G-9 | 9410-AT84F10A | | WG-AT84F10A WO-636882 FM-GPW7141 | 07-3 | GEAR, reverse idler, w/BEARING, assy (16 T., 2.167 OD, 0.996 thk). | ea | 1 |
| G-9 | 9410-T84J31 | | WG-T84J31 WO-A524 FM-357417S | | PIN, countershaft washer (special, S, ⅜ x ⅝) | ea | 1 |

¹ Used only in Transmission with raised "H" on case near filler hole.

| (1) NOTE SYMBOL | (2) STOCK NO. | (3) ORDNANCE PART NO. | (4) MFR'S PART NO. | (5) FIGURE NO. | (6) NOMENCLATURE | (7) UNIT OF MEAS- URE | (8) QUAN- TITY PER UNIT ASSEM- BLY |
|----------------------------------------------------------------------------------------|------------------|-----------------------------|-------------------------------------------------------------------|-------------------|----------------------------------------------------------|-----------------------------------|------------------------------------------------------|
| GROUP 07—TRANSMISSION—Continued | | | | | | | |
| 0702.3—TRANSMISSION COUNTERSHAFT, IDLER SHAFT, GEARS, AND SPACERS—Continued | | | | | | | |
| G-9 | G154-0340207 | A307505 | WG-T84G48 WO-638949 FM-GPW7155 | 07-3 | PLATE, lock, countershaft and idler shaft..... | ea | 1 |
| G-9 | G154-0384602 | A307503 | WG-T84G35 WO-638952 FM-GPW7140 | 07-3 | SHAFT, reverse idler gear..... | ea | 1 |
| G-9 | G503-7743738 | 7743738 | WG-T84J28 WO-A880 FM-GPW7115 | 07-3 | SPACER, countershaft bushings..... | ea | 1 |
| G-9 | G154-0443031 | A307333 | WG-T84B30A WO-635812 FM-GPW7119 | 07-2, 3 | WASHER, thrust, countershaft, front..... | ea | 1 |
| G-9 | 9410-T84-29 | ----- | WG-T84-29 WO-635811 FM ¹ -GPW7129 FM-GPW7129A | 07-2, 3 | WASHER, thrust, countershaft, rear (bz)..... | ea | 1 |
| G-9 | G154-0443057 | A308194 | WG-T84J29 WO-A879 FM-GPW7126 | 07-2, 3 | WASHER, thrust, countershaft, rear (S)..... | ea | 1 |
| 0704—TRANSMISSION GEAR SHIFT LEVER, SHAFTS, AND FORKS | | | | | | | |
| G-9 | 9410-C8-2-1-2 | ----- | WG-C8-2½ WO-A1381 FM-GPW7217 | ----- | BALL, fulcrum, gear shift lever..... | ea | 1 |
| H-1 | H102-0169110 | 169110 | WO-635838 FM-35381S | 07-3 | BALL, S, grade B, ⅙ in. (poppet, gear shifter shaft). | ea | 2 |
| G-9 | 9410-4496K | ----- | WG-4496K WO-A1379 FM-BB7220 | 07-2, 3 | CAP, gear shift lever housing..... | ea | 1 |
| G-9 | ----- | ----- | WO-3783 FM-GPW1111286A3 | ----- | COVER, gear shift lever housing (rubber)..... | ea | 1 |

| | | | | | | | |
|-----|--------------|---------|-----------------------------------------------------|-------------------------|---------------------------------------------------------------------------------------------|----|---|
| G-9 | 9410-T84C24A | ----- | WG-T84C24A WO-636197 FM-GPW7231 | 07-2, 3 | FORK, gear shifter, low and reverse speed----- | ea | 1 |
| G-9 | 9410-T84C23A | ----- | WG-T84C23A WO-636196 FM-GPW7230 | 07-3 | FORK, gear shifter, second and high speed----- | ea | 1 |
| G-9 | G503-7002601 | 7002601 | WG-4418M WO-636200 FM-GPW7245 | 07-3 | SCREW, locking----- | ea | 2 |
| G-9 | 9410-T84-115 | ----- | WG-T84-115 WO-635861 FM-GPW7223 | 07-3 | GASKET, gear shift lever housing----- | ea | 1 |
| G-9 | G503-7741398 | 7741398 | WG-T84A148 WO-635857 FM-GPW7204 | 07-2, 3 | HOUSING, gear shift lever, assy (Includes PLATE and RIVET). | ea | 1 |
| H-1 | H101-0214647 | 214647 | ----- | ----- | SCREW, cap, hex-hd, S, cd or zn-pltd, $\frac{5}{16}$ - 18NC-2 x $\frac{7}{8}$. | ea | 4 |
| H-1 | H001-7025711 | 120214 | ----- | 07-3 | WASHER, lock, med, S, cd or zn-pltd, $\frac{5}{16}$ in--- | ea | 4 |
| G-9 | 8080-39Q20 | ----- | SP-39Q20 WO-A971 FM-GPW7213 | 07-2 | KNOB, gear shift lever (previously known as BALL). | ea | 1 |
| G-9 | 9410-AC84J2A | ----- | WG-AC84J2A WO-A1380 FM-GPW7210 FM-GPW7201A | 01-1 07-2, 3 18-2 | LEVER, gear shift, assy----- | ea | 1 |
| G-9 | 9410-4611 | ----- | WG-4611 WO-635862 FM-GPW7207 | ----- | PACKING, gear shift lever housing----- | ea | 1 |
| G-9 | 9410-T84-30 | ----- | WG-T84-30 WO-635840 FM-357418S | ----- | PIN, fulcrum, gear shift lever guide plate (special, S, $\frac{3}{8}$ x $\frac{3}{4}$). | ea | 1 |
| G-9 | 9410-C84B12A | ----- | WG-C84B12A WO-A1382 FM-GPW7221 | ----- | PIN, gear shift lever fulcrum ball----- | ea | 1 |
| G-9 | 9410-T84-22 | ----- | WG-T84-22 WO-635836 FM-GPW7206 | 07-3 | PIN, guide, gear shift forks----- | ea | 1 |
| G-9 | 9410-T84B32 | ----- | WG-T84B32 WO-635859 FM-GPW7214 | ----- | PLATE, guide, gear shift lever (Superseded by PLATE WG-T84B25). | ea | 1 |
| G-9 | 9410-T84B25 | ----- | WG-T84B25 WO-A7261 WO-635841 FM-GPW7216 | ----- | PLATE, guide, gear shift lever (Superseded by PLATE WG-AT84B25). | ea | 1 |

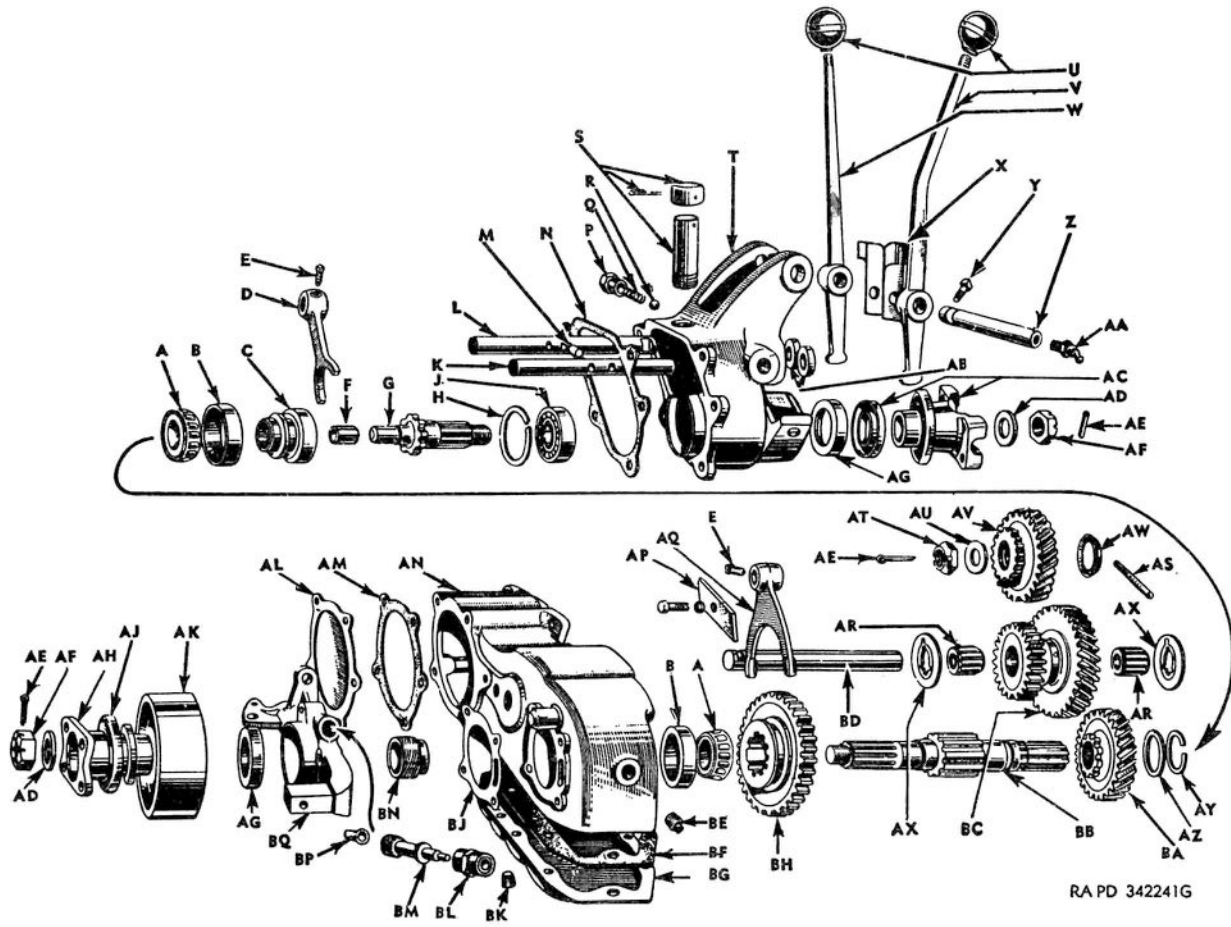
| (1) NOTE SYMBOL | (2) STOCK NO. | (3) ORDNANCE PART NO. | (4) MFR'S PART NO. | (5) FIGURE NO. | (6) NOMENCLATURE | (7) UNIT OF MEAS- URE | (8) QUAN- TITY PER UNIT ASSEM- BLY |
|------------------------------------------------------------------------|------------------|-----------------------------|---------------------------------------|-------------------|----------------------------------------------------------------------------|-----------------------------------|------------------------------------------------------|
| GROUP 07—TRANSMISSION—Continued | | | | | | | |
| 0704—TRANSMISSION GEAR SHIFT LEVER, SHAFTS, AND FORKS—Continued | | | | | | | |
| G-9 | 9410-AT84J25 | ----- | WG-AT84J25 WO-A7260 FM-GPW7211B | 07-2, 3 | PLATE, guide, gear shift lever, assy----- | ea | 1 |
| H-1 | H001-0925078 | 112619 | ----- | ----- | RIVET, ck-hd, S, $\frac{3}{16}$ x $\frac{1}{16}$ ----- | ea | 2 |
| G-9 | 9410-T84J21A | ----- | WG-T84J21 WO-A1156 FM-GPW7240 | 07-2, 3 | SHAFT, shifter, low and reverse speed gears (previously known as RAIL). | ea | 1 |
| G-9 | 9410-T84J20A | ----- | WG-T84J20A WO-A1155 FM-GPW7241 | 07-3 | SHAFT, shifter, second and high speed gears (previously known as RAIL). | ea | 1 |
| G-9 | 9410-T84-31 | ----- | WG-T84-31 WO-635839 FM-GPW7208 | 07-3 | SPRING, gear shift lever guide plate----- | ea | 1 |
| G-9 | 9410-T84-42 | ----- | WG-T84-42 WO-635837 MF-GPW7234 | 07-3 | SPRING, gear shift shaft poppet ball----- | ea | 2 |
| G-9 | 9410-4498K | ----- | WG-4498K WO-392328 FM-GPW7227 | 07-2, 3 | SPRING, support, gear shift lever----- | ea | 1 |
| G-9 | 9410-4497 | ----- | WG-4497 WO-635863 FM-BB7228 | 07-2, 3 | WASHER, gear shift lever spring seat----- | ea | 1 |



| KEY ITEM | PART NO. | GROUP |
|-----------|-------------|--------|
| A—COVER | SP-18-267-4 | 0801 |
| B—NUT | WG-T9-50P | 0802.1 |
| C—GEAR | SP-18-8-7 | 0802.1 |
| D—BEARING | 700388 | 0702.2 |
| E—WASHER | WG-T84H137 | 0702.2 |
| F—GEAR | SP-18-5-1 | 0802.2 |
| G—BEARING | 708218 | 0802.2 |
| H—SHAFT | SP-18-187-1 | 0802.2 |
| J—GEAR | SP-18-466-1 | 0802.3 |
| K—SHAFT | SP-18-362-3 | 0802.3 |
| L—BEARING | 700079 | 0802.3 |
| M—SEAL | 500068 | 0801 |
| N—SHIELD | SP-5962X | 0802.3 |
| P—YOKE | SP-K2-4-88X | 0900 |
| Q—NUT | SP-124 J | 0802.3 |
| R—HOUSING | SP-18-19-8 | 0801 |
| S—CUP | 706821 | 0802.3 |
| T—CONE | 705399 | 0802.3 |
| U—GEAR | SP-18-8-1 | 0802.3 |
| V—GEAR | SP-18-8-2 | 0802.3 |
| W—SHAFT | SP-5866X | 0802.3 |
| X—GEAR | SP-18-452-2 | 0802.5 |
| Y—GEAR | SP-18-453-3 | 0802.5 |
| Z—CASE | SP-18-15-9 | 0801 |

RA PD 342249G

Figure 08-1. Transfer—cross section.



RA PD 342241G

Figure 08-2. Transfer—exploded view.

| Key Item | Part No. | Group | Key Item | Part No. | Group |
|---------------|--------------|---------|--------------|-------------------|---------|
| A—CONE | 705399 | 0802. 3 | AJ—SHIELD | SP-5962X | 0802. 3 |
| B—CUP | 706821 | 0802. 3 | AK—DRUM | SP-20B62 | 1201. 1 |
| C—GEAR | SP-18-466-1 | 0802. 3 | AL—COVER | SP-18-267-4 | 0801 |
| D—FORK | SP-18-66-7 | 0804 | AM—GASKET | SP-18-324-2 | 0801 |
| E—SCREW | SP-7450 | 0804 | AN—CASE | SP-18-15-9 | 0801 |
| F—BEARING | SP-18-24-1 | 0802. 3 | AP—PLATE | SP-31-246-2 | 0802. 2 |
| G—SHAFT | SP-18-362-3 | 0802. 3 | AQ—FORK | SP-18-66-1 | 0804 |
| H—RING | SP-22-381-19 | 0802. 3 | AR—BEARING | 708218 | 0802. 2 |
| J—BEARING | 700079 | 0802. 3 | AS—PLUNGER | WG-T84J86A | 0804 |
| K—SHAFT | SP-18-67-5 | 0804 | AT—NUT | WG-T9-50P | 0802. 1 |
| L—SHAFT | SP-18-67-2 | 0804 | AU—WASHER | WG-T84J50½A | 0802. 1 |
| M—INTERLOCK | SP-18-12-1 | 0804 | AV—GEAR | SP-18-8-7 | 0802. 1 |
| N—GASKET | SP-18-223-2 | 0801 | AW—WASHER | WG-T84H137 | 0702. 2 |
| P—PLUG | SP-854D | 0804 | AX—WASHER | SP-690W | 0802. 2 |
| Q—SPRING | SP-22-72-5 | 0804 | AY—RING | SP-18-381-2 | 0802. 3 |
| R—BALL | 104920 | 0804 | AZ—WASHER | SP-710W | 0802. 3 |
| S—VENT, ASSY | SP-5951X | 0806. 5 | BA—GEAR | SP-18-8-1 | 0802. 3 |
| T—HOUSING | SP-18-19-8 | 0801 | BB—SHAFT | SP-5866X | 0802. 3 |
| U—KNOB | SP-39Q20 | 0804 | BC—GEAR | SP-18-5-1 | 0802. 2 |
| V—LEVER | SP-25Q1055 | 0804 | BD—SHAFT | SP-18-187-1 | 0802. 2 |
| W—LEVER | SP-25Q1056 | 0804 | BE—PLUG | 103868 | 0801 |
| X—SPRING | SP-97Q13 | 0804 | BF—GASKET | SP-18-155-2 | 0801 |
| Y—SCREW | SP-433D | 0804 | BG—COVER | SP-18-16-3 | 0801 |
| Z—PIN | SP-363SP | 0804 | BH—GEAR | SP-18-8-2 | 0802. 3 |
| AA—FITTING | 45-F-406-150 | 0804 | BJ—SHIM | SP-18-228-7, 8, 9 | 0801 |
| AB—SEAL | 500007 | 0804 | BK—PLUG | 112715 | 0801 |
| AC—YOKE, ASSY | SP-K2-4-88X | 0900 | BL—SLEEVE | SP-18-454-2 | 0802. 5 |
| AD—WASHER | SP-S1056 | 0802. 3 | BM—GEAR | SP-18-453-3 | 0802. 5 |
| AE—PIN | 103388 | 0802. 3 | BN—GEAR | SP-18-452-2 | 0802. 5 |
| AF—NUT | SP-124J | 0802. 3 | BP—BEARING | SP-475-2 | 0802. 5 |
| AG—SEAL | 500068 | 0801 | BQ—CAP, ASSY | SP-6452X | 0801 |
| AH—FLANGE | SP-K2-1-28 | 0802. 3 | | | |

Figure 08-2. Transfer—exploded view—Continued

| (1) NOTE SYMBOL | (2) STOCK NO. | (3) ORDNANCE PART NO. | (4) MFR'S PART NO. | (5) FIGURE NO. | (6) NOMENCLATURE | (7) UNIT OF MEAS- URE | (8) QUAN- TITY PER UNIT ASSEM- BLY |
|-------------------------------------------------------|------------------|-----------------------------|----------------------------------------|-------------------|---------------------------------------------------------------------------------------|-----------------------------------|------------------------------------------------------|
| GROUP 08—TRANSFER | | | | | | | |
| 0800—TRANSFER ASSEMBLY | | | | | | | |
| G-9 | 3320-GPW5084 | ----- | WO-A6740 FM-GPW5084 | 15-1 | CUP, retaining, case support insulator (Also listed in sub-group 1501). | ea | 1 |
| G-9 | 3320-746038 | ----- | FM-352101S WO-634758 | ----- | RIVET, pointed, S, $2\frac{1}{4}$ x $\frac{3}{4}$ ----- | ea | 1 |
| G-9 | 3320-GPW7781A | ----- | FM-74-6038 FM-74-6038A WO-634759 | ----- | INSULATOR, case support----- | ea | 1 |
| G-9 | 3320-GPW7781A | ----- | FM-GPW7781A FM-GPW7704 | 01-2 | SNUBBER, case support insulator----- | ea | 1 |
| G-9 | G503-7744273 | 7744273 | FM-GPW7704B | ----- | TRANSFER, assy (Used w/external contracting hand brakes). | ea | 1 |
| G-9 | G503-0131675 | ----- | WO-A1195 FM-GPW7700 | 01-1 | TRANSFER, assy (Used w/internal expanding hand brakes). | ea | 1 |
| G-9 | 3320-GPW7700B | ----- | WO-A8859 FM-GPW7700B | 07-1 | TRANSFER, w/BRAKES, assy (Used w/internal expanding hand brakes). | ea | 1 |
| G-9 | 3320-355741S | ----- | WO-A147 FM-355741S | ----- | BOLT, special, hex-hd, S, $\frac{1}{2}$ -20NC x 3----- | ea | 1 |
| H-1 | H001-4167681 | 120371 | ----- | ----- | NUT, hex, light, s-fin, S, cd or zn-pltd, $\frac{1}{2}$ -20NF-2. | ea | 1 |
| H-1 | H101-0214388 | 214388 | ----- | ----- | SCREW, cap, hex-hd, S, cd or zn-pltd, $\frac{3}{8}$ -16NC-2 x $1\frac{1}{2}$. | ea | 5 |
| H-1 | H001-7025741 | 120382 | ----- | ----- | WASHER, lock, med, S, cd or zn-pltd, $\frac{3}{8}$ in. | ea | 5 |
| H-1 | H001-7025801 | 120384 | ----- | ----- | WASHER, lock, med, S, cd or zn-pltd, $\frac{1}{2}$ in. | ea | 1 |
| G-9 | G503-7324850 | 7324850 | WO-634762 FM-356524S | ----- | WASHER, plain, S, $2\frac{1}{2}$ ID x $1\frac{1}{2}$ OD x $\frac{1}{16}$ thk. | ea | 1 |
| 0801—TRANSFER CASE, COVERS, GASKETS, AND PLUGS | | | | | | | |
| G-9 | 8080-18-19-18 | ----- | SP-18-19-18 WO-A9077 FM-GPW7769 | ----- | CAP, output shaft rear bearing (Used w/external contracting brakes). | ea | 1 |
| G-9 | 3320-GPW7768 | ----- | SP-6452X WO-A1507 FM-GPW7768 | 08-2 12-6 | CAP, output shaft rear bearing, w/BUSHING, assy (Used w/external contracting brakes). | ea | 1 |

| | | | | | | | |
|-----|---------------|---------|-----------------------------------------------|---------|-----------------------------------------------------------------------------------------------------------|----------|--------|
| G-9 | 8080-634D | | SP-634D WO-A1137 FM-355533S | | BOLT, hex-hd, dld f/lkg-wire, S, $\frac{3}{8}$ -16NC-3 x 2. | ea | 3 |
| G-9 | G503-5214870 | A214870 | SP-122D WO-A1136 FM-355554S | | SCREW, cap, hex-hd, dld f/lkg-wire, S, $\frac{3}{8}$ -16NC-3 x 1. | ea | 1 |
| G-9 | G503-5214819 | A214819 | SP-477W WO-A1135 FM-356205S WO-A9331 | | WASHER, plain, S, $\frac{2}{4}$ ID x $\frac{1}{2}$ OD x $\frac{1}{32}$ thk. | ea | 4 |
| G-9 | 3320-GPW7768B | | SP-18-19-28 WO-A9330 FM-GPW 8B | 12-2 | WIRE, locking----- CAP, output shaft rear bearing, w/BUSHING, assy (Used w/internal expanding brakes). | lb ea | ‡ 1 |
| G-9 | 3320-350280S | | WO-A9336 FM-350280S | | BOLT, hex-hd, dld f/lkg-wire, S, $\frac{3}{8}$ -16NC-3 x 1. | ea | 1 |
| G-9 | 3320-350281S | | WO-A9337 FM-350281S | 12-2 | BOLT, hex-hd, dkd f/lkg-wire, S, $\frac{3}{8}$ -16NC-3 x $2\frac{1}{4}$. | ea | 1 |
| G-9 | 3320-350282S | | WO-9334 FM-350282S | | BOLT, hex-hd, dld f/lkg-wire, S, $\frac{3}{8}$ -16NC-3 x $2\frac{1}{2}$. | ea | 2 |
| G-9 | G503-5214819 | A214819 | SP-477W WO-A1135 FM-356205S WO-A9331 | | WASHER, plain, S, $\frac{2}{4}$ ID x $\frac{1}{2}$ OD x $\frac{1}{32}$ thk. | ea | 4 |
| G-9 | 8080-18-15-9 | | SP-18-15-9 WO-A1503 FM-GPW7705 | 08-1, 2 | WIRE, locking----- CASE, transfer----- | lb ea | ‡ 1 |
| G-9 | 8080-18-16-3 | | SP-18-16-3 WO-A953 FM-GP7708 | 08-2 | COVER, case, bottom----- | ea | 1 |
| H-1 | H101-0214626 | 214626 | | | SCREW, cap, hex-hd, S, cd or zn-pltd, $\frac{5}{16}$ -18NC-2 x $\frac{3}{4}$. | ea | 10 |
| H-1 | H001-7025711 | 120214 | | | WASHER, lock, med, S, cd or zn-pltd, $\frac{5}{16}$ in. | ea | 10 |
| G-9 | 8080-18-267-4 | | SP-18-267-4 WO-A1508 FM-GPW7706 | 08-1, 2 | COVER, case, rear----- | ea | 1 |
| H-1 | H101-0214686 | 214686 | | | SCREW, cap, hex-hd, S, cd or zn-pltd, $\frac{3}{8}$ -16NC-2 x $\frac{3}{4}$. | ea | 5 |
| H-1 | H001-7025741 | 120382 | | | WASHER, lock, med, S, cd or zn-pltd, $\frac{3}{8}$ in. | ea | 5 |
| G-9 | 8080-18-155-2 | | SP-18-155-2 WO-A954 FM-GP7709 | 08-2 | GASKET, bottom cover----- | ea | 1 |
| G-9 | 8080-18-223-2 | | SP-18-223-2 WO-A957 FM-GPW7773 | 08-2 | GASKET, front housing----- | ea | 1 |
| G-9 | 8080-18-324-2 | | SP-18-324-2 WO-A1509 FM-GPW7707 | 08-2 | GASKET, rear cover----- | ea | 1 |

| (1) NOTE SYMBOL | (2) STOCK NO. | (3) ORDNANCE PART NO. | (4) MFR'S PART NO. | (5) FIGURE NO. | (6) NOMENCLATURE | (7) UNIT OF MEAS- URE | (8) QUAN- TITY PER UNIT ASSEM- BLY |
|----------------------------------------------------------------------|------------------|-----------------------------|------------------------------------------------|-------------------|-----------------------------------------------------------------------------------------------------------------------------------------|-----------------------------------|------------------------------------------------------|
| GROUP 08—TRANSFER—Continued | | | | | | | |
| 0801—TRANSFER CASE, COVERS, GASKETS, AND PLUGS— Continued | | | | | | | |
| G-9 | 8080-18 352-5 | ----- | SP-18-352-5 WO-A1435 FM-GPW7756 | ----- | GASKET, transfer to transmission ----- | ea | 1 |
| G-9 | 8080-18-19-8 | ----- | SP-18-19-8 WO-A956 FM-GPW7774 | 08-1, 2 | HOUSING, front----- | ea | 1 |
| G-9 | G503-5214870 | A214870 | SP-122D WO-A1136 FM-355554S | ----- | SCREW, cap, hex-hd, dld f/lkg-wire, S, 3/8- 16NC-3 x 1. | ea | 5 |
| G-9 | G503-5214819 | A214819 | SP-477 W WO-A1135 FM-356205S WO-A9331 | ----- | WASHER, plain, S, 2/4 ID x 3/4 OD x 1/2 thk.----- | ea | 5 |
| H-6 | H006-0283760 | 112715 | ----- | 08-2 | WIRE, locking----- | lb | ‡ |
| H-6 | H006-0283571 | 103868 | ----- | 08-2 | PLUG, pipe, countersunk, MI 1/2 in. (transfer drain). | ea | 1 |
| H-13 | H013-0500068 | 500068 | ----- | 08-1, 2 | PLUG, pipe, sq-hd, C. I., 1/2 in. (transfer oil filler) -- SEAL, oil, type ML, 1 1/16 x 2.504 x 1/2 (transfer case output shaft). | ea | 2 |
| G-9 | 8080-18-228-7 | ----- | SP-18-228-7 WO-A982 FM-GP7782A | 08-2 | SHIM, output shaft rear bearing cap: (0.003 thk)----- | ----- | ‡ |
| G-9 | 8080-18-228-8 | ----- | SP-18-228-8 WO-A983 FM-GP7782B | 08-2 | (0.010 thk)----- | ----- | ‡ |
| G-9 | 8080-18-228-9 | ----- | SP-18-228-9 WO-A984 FM-GP7782C | 08-2 | (0.031 thk)----- | ----- | ‡ |
| 0802.1—TRANSFER INPUT GEAR | | | | | | | |
| G-9 | 8080-18-8-7 | ----- | SP-18-8-7 WO-A1510 FM-GP7722 | 08-1, 2 | GEAR, input (27 T., 4.104 OD) (on transmission mainshaft). | ea | 1 |

| | | | | | | | |
|-----------------------------------------------------|-----------------------------|---------|-------------------------------------------------------------------|-----------------|------------------------------------------------------------------------------------------------------------------------------------------------------------|----|---|
| G-9 | G503-7743652 | 7743652 | WO-A520 FM-356134S18 WG-T9-50P | 07-2 08-1, 2 | NUT, special, hex, S, $\frac{7}{8}$ -16NC-2----- | ea | 1 |
| H-1 | H001-0811055 | 103388 | | | PIN, cotter, split, S, $\frac{1}{8}$ x $1\frac{1}{4}$ ----- | ea | 1 |
| G-9 | 9410-T84J50 $\frac{1}{2}$ A | | WG-T84J50 $\frac{1}{2}$ A WO-A1410 FM-356519S FM-356560S | 07-2 08-2 | WASHER, plain, $2\frac{1}{2}$ ID x $1\frac{1}{16}$ OD x $\frac{1}{2}$ thk-- | ea | 1 |
| 0802.2--TRANSFER INTERMEDIATE SHAFT AND GEAR | | | | | | | |
| H-12 | H012-0708218 | 708218 | HY-94322 | 08-1, 2 | BEARING, roller, journal, No. HY94322 (solid rollers, no races, type 2, 0.750 shaft diam, 1.250 housing bore, 1.375 operating space) (intermediate shaft). | ea | 2 |
| G-9 | 8080-18-5-1 | | SP-18-5-1 WO-A999 FM-GP7742 | 08-1, 2 | GEAR, intermediate shaft (23 and 33 T., 4.963 OD large gear). | ea | 1 |
| G-9 | 8080-31-246-2 | | SP-31-246-2 WO-A1001 FM-GP7767 | 08-2 | PLATE, lock, intermediate shaft----- | ea | 1 |
| H-1 | H101-0214681 | 214681 | | | SCREW, cap, hex-hd, S, cd or zn-pltd, $\frac{3}{8}$ -16NC-2 x $\frac{3}{8}$. | ea | 1 |
| H-1 | H001-7025741 | 120382 | | | WASHER, lock, med, S, cd or zn-pltd, $\frac{3}{8}$ in-- | ea | 1 |
| G-9 | 8080-18-187-1 | | SP-18-187-1 WO-A998 FM-GP7743 | 08-1, 2 | SHAFT, intermediate----- | ea | 1 |
| G-9 | 8080-690W | | SP-690W WO-A1000 FM-GP7744 | 08-2 | WASHER, thrust, intermediate shaft gear----- | ea | 2 |
| 0802.3--TRANSFER OUTPUT SHAFT AND GEARS | | | | | | | |
| H-12 | H012-1303030 | 700079 | ND-3206 | 08-1, 2 | BEARING, ball, No. 30BC02 (radial, SR, non-loading groove, light, 1.1811 bore, 2.4409 OD, 0.6299 width) (output clutch gear shaft). | ea | 1 |
| G-9 | 8080-1824-1 | | SP-18-24-1 WO A987 FM-GP7777 FM-GP7777A | 08-2 | BEARING, bushing type, pilot, output clutch gear shaft. | ea | 1 |
| H-12 | H012-6136260 | 705399 | TIM-14131 WO-51575-V FM-GP7723 | 08-1, 2 | CONE, tapered, roller bearing, No. TIM-14131 (Includes rollers and cage, type TS, SR, 1.3125 bore, 0.771 width) (output shaft bearing). | ea | 2 |
| H-12 | H012-6217320 | 706821 | TIM-14276 WO-52883 FM-01Y-1202 | 08-1, 2 | CUP, tapered, roller bearing, No. TIM-14276 (SR, type TS, 2.717 OD, 0.625 width) (output shaft bearing). | ea | 2 |
| G-9 | 8080-K2-1-28 | | SP-K2-1-28 WO-A996 FM-GP4865 | 08-2 | FLANGE, companion, rear (Used with external contracting brakes). | ea | 1 |

| (1) NOTE SYMBOL | (2) STOCK NO. | (3) ORDNANCE PART NO. | (4) MFR'S PART NO. | (5) FIGURE NO. | (6) NOMENCLATURE | (7) UNIT OF MEAS- URE | (8) QUAN- TITY PER UNIT ASSEM- BLY |
|---------------------------------------------------------|------------------|-----------------------------|----------------------------------------|-------------------|-------------------------------------------------------------------------------------|-----------------------------------|------------------------------------------------------|
| GROUP 08—TRANSFER—Continued | | | | | | | |
| 0802.3—TRANSFER OUTPUT SHAFT AND GEARS—Continued | | | | | | | |
| G-9 | 8080-K2-1-28X | ----- | SP-K2-1-28X WO-A1105 FM-GP4863 | ----- | FLANGE, companion, rear, w/SHIELD, assy (Used with external contracting brakes). | ea | 1 |
| G-9 | 3320-GPW4863 | ----- | SP-K2-1-68X WO-116714 FM-GPW4863 | ----- | FLANGE, companion, rear (Used with internal expanding brakes). | ea | 1 |
| G-9 | 8080-124J | ----- | SP-124J WO-A980 FM-356125S | 08-1, 2 | NUT, special, hex, S, 3/4-20EF-3----- | ea | 1 |
| H-1 | H001-0811055 | 103388 | ----- | 08-2 | PIN, cotter, split, S, 1/8 x 1 1/4----- | ea | 1 |
| G-9 | 8080-S1056 | ----- | SP-S1056 WO-A1028 FM-356504S | 08-2 | WASHER, special, flat, 3/4 in----- | ea | 1 |
| G-9 | 8080-18-223-3 | ----- | SP-18-223-3 WO-A1134 FM-GP7746 | ----- | GASKET, output shaft and output clutch shaft oil seal. | ea | 2 |
| G-9 | 8080-18-466-1 | ----- | SP-18-466-1 WO-A992 FM-GP7762 | 08-1, 2 | GEAR, clutch (10 internal T., 1.088 bore. 1.755 face, 2.311 OD). | ea | 1 |
| G-9 | 8080-18-8-1 | ----- | SP-18-8-1 WO-A989 FM-GP7766 | 08-1, 2 | GEAR, output, front (27 T., 4.101 OD)----- | ea | 1 |
| G-9 | 8080-18-8-2 | ----- | SP-18-8-2 WO-A988 FM-GP7765 | 08-1, 2 | GEAR, sliding (27 T., 5.571 OD, 1.192 face)----- | ea | 1 |
| G-9 | 8080-22-381-19 | ----- | SP-22-381-19 WO-A976 FM-GP7783 | 08-2 | RING, snap, clutch gear shaft bearing----- | ea | 1 |
| G-9 | 8080-18-381-2 | ----- | SP-18-381-2 WO-A991 FM-GP7784 | 08-2 | RING, snap, output shaft thrust washer----- | ea | 1 |

| | | | | | | | |
|-----|---------------|---------|-------------------------------------------------------|---------|----------------------------------------------------------------------------------------------------------|----|---|
| G-9 | 8080-18-362-3 | | SP-18-362-3 WO-A975 FM-GP7761 | 08-1, 2 | SHAFT, clutch gear..... | ea | 1 |
| G-9 | 3320-GPW7726 | | WO-A8835 FM-GPW7726 | | SHAFT, clutch gear, w/NUT and WASHER, assy.. | ea | 1 |
| G-9 | 8080-5866X | | SP-5866X WO-A1764 FM-GP7763 | 08-1, 2 | SHAFT, output, w/pilot BEARING, assy..... | ea | 1 |
| G-9 | G503-7036544 | 7036544 | SP-18-362-4-5866X WO-A8841 FM-GPW7736 | | SHAFT, output, w/NUT and WASHER, assy (Includes pilot BUSHING and flange mounting NUT and WASHER). | ea | 1 |
| G-9 | 8080-715W | | SP-715W WO-A979 FM-GP7733 | | SHIELD, dust, companion flange and front yoke (Superseded by SHIELD SP-5962X). | ea | 2 |
| G-9 | 8080-5962X | | SP-5962X WO-A1111 FM-GP7776 | 08-1, 2 | SHIELD, dust, companion flange and front yoke, w/SLINGER, assy. | ea | 2 |
| G-9 | 3320-GP7747 | | WO-A978 FM-GP7747 | | SLINGER, dust, companion flange and front yoke (Superseded by SHIELD SP-5962X). | ea | 2 |
| G-9 | 8080-710W | | SP-710W WO-A990 FM-GP7771 | 08-2 | WASHER, thrust, output shaft..... | ea | 1 |
| | | | | | YOKE, front (See group 0900) | | |
| | | | | | 0802.5-SPEEDOMETER DRIVE PARTS | | |
| G-9 | G503-7044232 | 7044232 | SW-777F1-1038 | | ADAPTER, speedometer (for vehicles w/7-50 x 16 tires). (Also listed in sub-group 2208.1). | ea | 1 |
| G-9 | G505-0156055 | A167516 | SP-475-2 WO-A985 FM-GP17277 | 08-2 | BEARING, bushing type, speedometer drive gear.. | ea | 1 |
| G-9 | 8080-18-452-2 | | SP-18-452-2 WO-A1511 FM-GP17285 | 08-1, 2 | GEAR, drive speedometer..... | ea | 1 |
| G-9 | 8080-18-453-3 | | SP-18-453-3 WO-A1512 FM-GPW17271 | 08-1, 2 | GEAR, driven, speedometer..... | ea | 1 |
| G-9 | 8080-18-454-2 | | SP-18-454-2 WO-636396 FM-GP17333 FM-GPW17333 | 08-2 | SLEEVE, speedometer driven gear..... | ea | 1 |

| (1) NOTE SYMBOL | (2) STOCK NO. | (3) ORDNANCE PART NO. | (4) MFR'S PART NO. | (5) FIGURE NO. | (6) NOMENCLATURE | (7) UNIT OF MEAS- URE | (8) QUAN- TITY PER UNIT ASSEM- BLY |
|-------------------------------------------------------------|------------------------|-----------------------------|--------------------------------------|----------------------|-------------------------------------------------------------------------------------------------|-----------------------------------|------------------------------------------------------|
| GROUP 08—TRANSFER—Continued | | | | | | | |
| 0804—TRANSFER GEAR SHIFT LEVERS, FORKS, SHAFTS, ETC. | | | | | | | |
| H-2 | H002-0100140 | 104920 | ----- | 08-2 | BALL, alloy-S, grade 2, 3/8 in. (poppet, shifter shaft) | ea | 2 |
| K-3 | 45-F-406-150 | 45-F-460-150 | ----- | 08-2 | FITTING, lubricating, hydraulic type, angle 45 deg, 1/4-28NF, male (shifting levers pivot pin). | ea | 1 |
| G-9 | 8080-18-66-7 | ----- | SP-18-66-7 WO-A960 FM-GPW7711 | 08-2 | FORK, shifter, output clutch gear----- | ea | 1 |
| G-9 | 8080-18-66-1 | ----- | SP-18-66-1 WO-A959 FM-GP7712 | 08-2 | FORK, shifter, output shaft sliding gear----- | ea | 1 |
| G-9 | G503-5214776 | A214776 | SP-7450 WO-A963 FM-355550S | 08-2 | SCREW, set, S, 3/8-24NF x 0.72 (dld hd)----- | ea | 2 |
| H-9 | H009-0102230 | 22- W1631- 110 | SP-LW1 WO-A964 | ----- | WIRE, S, carbon, low, annealed, soft black, diam 0.0625 in. | lb | ‡ |
| G-9 | 3320-GPW1101- 1735A | ----- | WO-A3784 FM-GPW1101735A | ----- | GROMMET, gear shift lever (leather)----- | ea | 1 |
| G-9 | 8080-18-12-1 | ----- | SP-18-12-1 WO-A965 FM-GP7789 | 08-2 | INTERLOCK, gear shifter shaft----- | ea | 1 |
| G-9 | 8080-39Q30 | ----- | SP-39Q20 WO-A971 FM-GP7213 | 08-2 | KNOB, gear shift lever (Also known as BALL)--- | ea | 2 |
| G-9 | 8080-25Q1055 | ----- | SP-25Q1055 WO-A1505 FM-GPW7793 | 01-2 08-2 18-2 | LEVER, gear shift, direct and underdrive----- | ea | 1 |
| G-9 | 8080-25Q1056 | ----- | SP-25Q1056 WO-A1506 FM-GPW7710 | 01-2 08-2 18-2 | LEVER, gear shift, front wheel drive----- | ea | 1 |
| G-9 | 8080-363SP | ----- | SP-363SP WO-A972 FM-GP7796 | 08-2 | PIN, pivot, gear shift levers----- | ea | 1 |
| G-9 | 8080-433D | ----- | SP-433D WO-A973 FM-355378S | 08-2 | SCREW, set, sq-hd, S, 1/16-18NC-2 x 1/2----- | ea | 1 |

| | | | | | | | |
|---------------------------------|--------------|---------|--------------------------------------|------|----------------------------------------------------------------|----|---|
| G-9 | 8080-854D | | SP-854D WO-A967 FM-355698S | 08-2 | PLUG, shifter shaft poppet ball spring----- | ea | 2 |
| G-9 | 9410-T84J86A | | WG-T84J86A WO-A1385 FM-GPW7233 | 08-2 | PLUNGER, interlock, gear shifter shaft----- | ea | 1 |
| H-13 | H013-0500007 | 500007 | | 08-2 | SEAL, oil, type ML, 5/8 x 1.128 x 3/8 (gear shifter shaft). | ea | 2 |
| G-9 | 8080-18-67-2 | | SP-18-67-2 WO-A962 FM-GP7787 | 08-2 | SHAFT, shifter, clutch gear fork----- | ea | 1 |
| G-9 | 8080-18-67-5 | | SP-18-67-5 WO-A1504 FM-GPW7786 | 08-2 | SHAFT, shifter, sliding gear fork----- | ea | 1 |
| G-9 | G160-0389772 | | SP-97Q13 WO-A970 FM-GP7799 | 08-2 | SPRING, gear shift lever----- | ea | 2 |
| G-9 | G503-5214784 | A214784 | SP-22-72-5 WO-A966 FM-GP7788 | 08-2 | SPRING, shifter shaft poppet ball----- | ea | 2 |
| 0806.5—TRANSFER BREATHER | | | | | | | |
| G-9 | 8080-5951X | | SP-5951X WO-A934 FM-GP7754 | 08-2 | VENT, transfer case, assy (Includes BODY, CAP and cotter PIN). | ea | 1 |

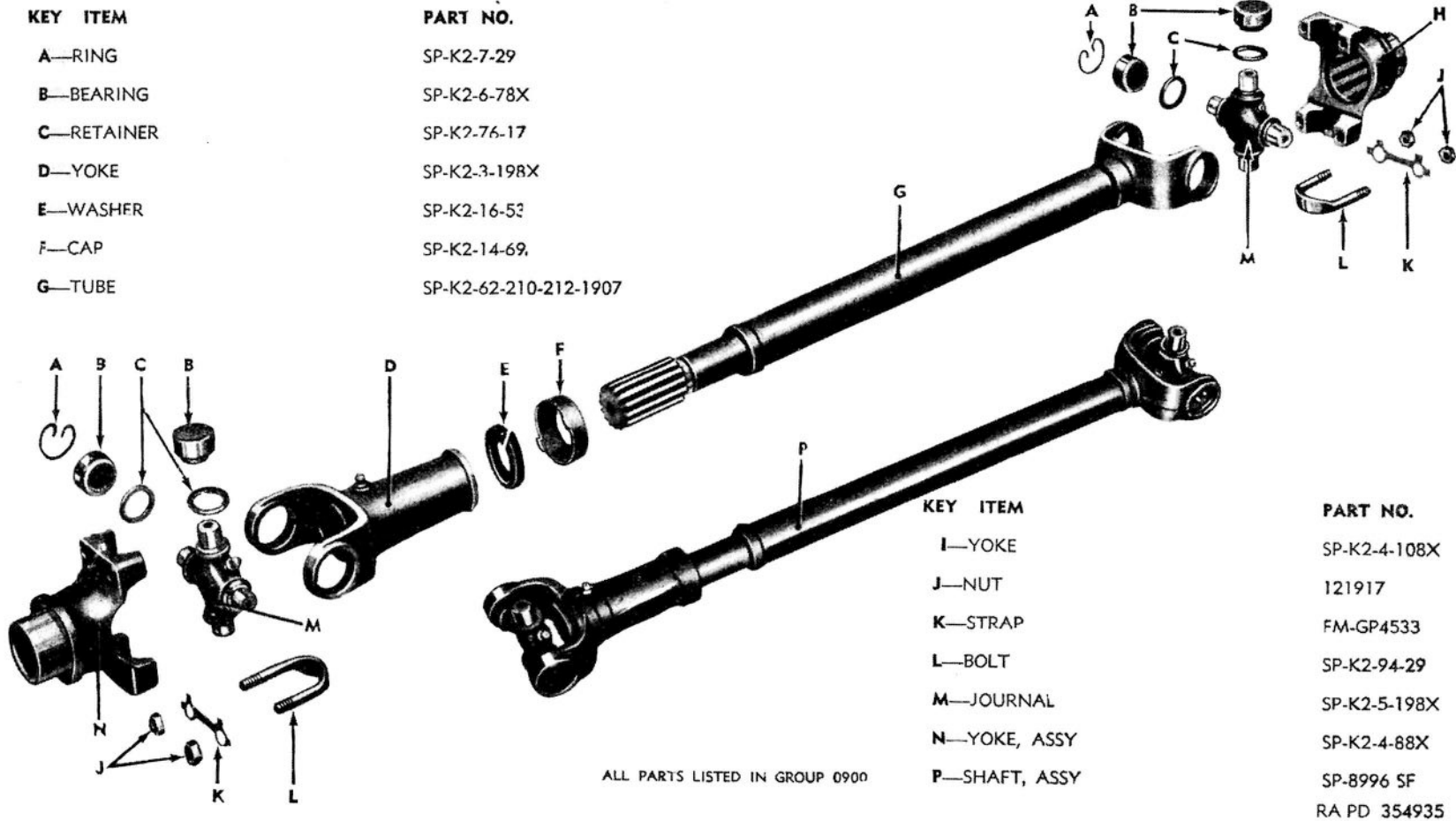


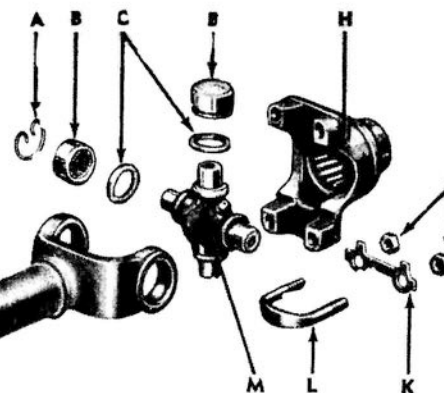
Figure 09-1. Front propeller shaft—exploded view.

KEY ITEM

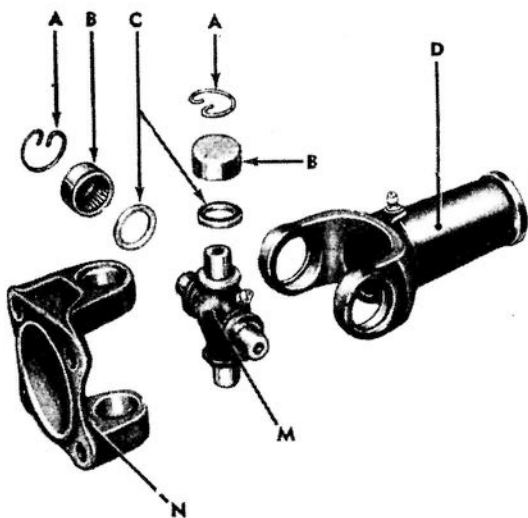
- A—RING
- B—BEARING
- C—RETAINER
- D—YOKE
- E—WASHER
- F—CAP
- G—TUBE

PART NO.

- SP-K2-7-29
- SP-K2-6-78X
- SP-K2-76-17
- SP-K2-3-198X
- SP-K2-16-53
- SP-K2-14-69
- SP-K2-62-210-212-1718



167



KEY ITEM

- H—YOKF
- J—NUT
- K—STRAP
- I—ROLT
- M—JOURNAL
- N—YOKE
- P—SHAFT, ASSY

PART NO.

- SP-K2-4-108X
- 121917
- FM-GP4533
- SP-K2-94-29
- SP-K2-5-198X
- SP-K2-2-329
- SP-8997SF

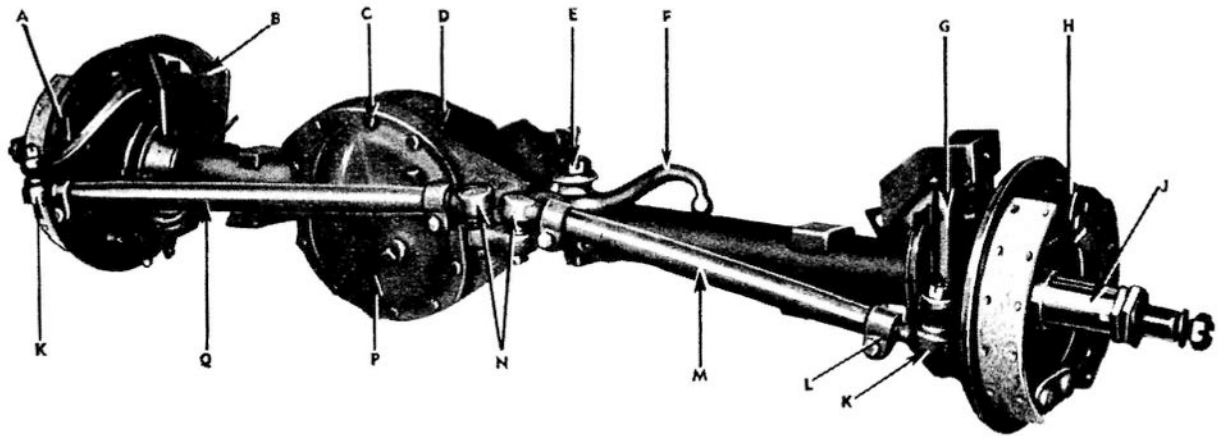
RA PD 354936

ALL PARTS LISTED IN GROUP 0900.

Figure 09-2. Rear propeller shaft—exploded view.

| (1) NOTE SYMBOL | (2) STOCK NO. | (3) ORDNANCE PART NO. | (4) MFR'S PART NO. | (5) FIGURE NO. | (6) NOMENCLATURE | (7) UNIT OF MEAS- URE | (8) QUAN- TITY PER UNIT ASSEM- BLY |
|----------------------------------------------------------------------|------------------|-----------------------------|----------------------------------------------------|-------------------|----------------------------------------------------------------------------------------------------------------------------|-----------------------------------|------------------------------------------------------|
| GROUP 09—PROPELLER SHAFT | | | | | | | |
| 0900—PROPELLER SHAFT, UNIVERSAL JOINTS, AND RELATED PARTS | | | | | | | |
| G-9 | ----- | A307550 | SP-K2-6-78X WO-A1434 | 09-1, 2 | BEARING, needle roller, universal joint, assy----- | ea | 16 |
| G-9 | G085-2242230 | A307299 | FM-GPW7074 SP-K2-94-29 WO-A490 FM-01Y4529 | 09-1, 2 | BOLT, "U", universal joint bearing (S, 5/16-24NF-3). | ea | 6 |
| H-1 | H001-4171561 | 121917 | ----- | 09-1, 2 | NUT, hex, light, s-fin, S, cd or zn-pltd, 5/16-24NF-3. | ea | 12 |
| G-9 | 3320-GP4533 | ----- | FM-GP4533 | 09-1, 2 | STRAP, locking, "U" bolt nut----- | ea | 6 |
| H-1 | H001-7025711 | 120214 | ----- | ----- | WASHER, lock, med, S, cd or zn-pltd, 5/16 in----- | ea | 12 |
| G-9 | G503-7702591 | 7702591 | SP-K2-14-69 WO-A942 FM-GP7077 | 09-1, 2 | CAP, dust, sliding yoke----- | ea | 2 |
| G-9 | ----- | ----- | SP-K2-6-181 | ----- | CAP, universal joint bearing----- | ea | 16 |
| K-3 | 45-F-451 | 45-F-451 | ----- | ----- | FITTING, lubricating, hydraulic type, stght, 1/4-28NS, male. | ea | 6 |
| G-9 | G508-5160316 | A160316 | SP-K3-86-89 WO-A941 FM-01T7078A | ----- | GASKET oil sealing, universal joint bearing----- | ea | 16 |
| G-9 | G179-5307552 | A307552 | SP-K2-5-198X • WO-A1426 FM-GPW7084 | 09-1, 2 | JOURNAL, universal joint----- | ea | 4 |
| G-9 | ----- | ----- | SP-K2-68-23 | ----- | PLUG, expansion, sliding yoke----- | ea | 2 |
| G-9 | G503-5307178 | A307178 | SP-K2-76-17 WO-A940 FM-01Y7083 | 09-1, 2 | RETAINER, universal joint bearing gasket----- | ea | 16 |
| G-9 | G503-5307289 | A307289 | SP-K2-7-29 WO-A945 FM-01Y7096 | 09-1, 2 | RING, snap, universal joint bearing----- | ea | 10 |
| G-9 | ----- | ----- | SP-98-851 | ----- | ROLLER, universal joint bearing----- | ea | 368 |
| G-9 | 8080-8996SF | ----- | SP-8996SF WO-A1326 FM-GPW3365 | 07-1 09-1 | SHAFT, propeller, welded assy (See TUBE) SHAFT, propeller, front, w/universal JOINTS, assy (Does not include YOKES). | ea | 1 |

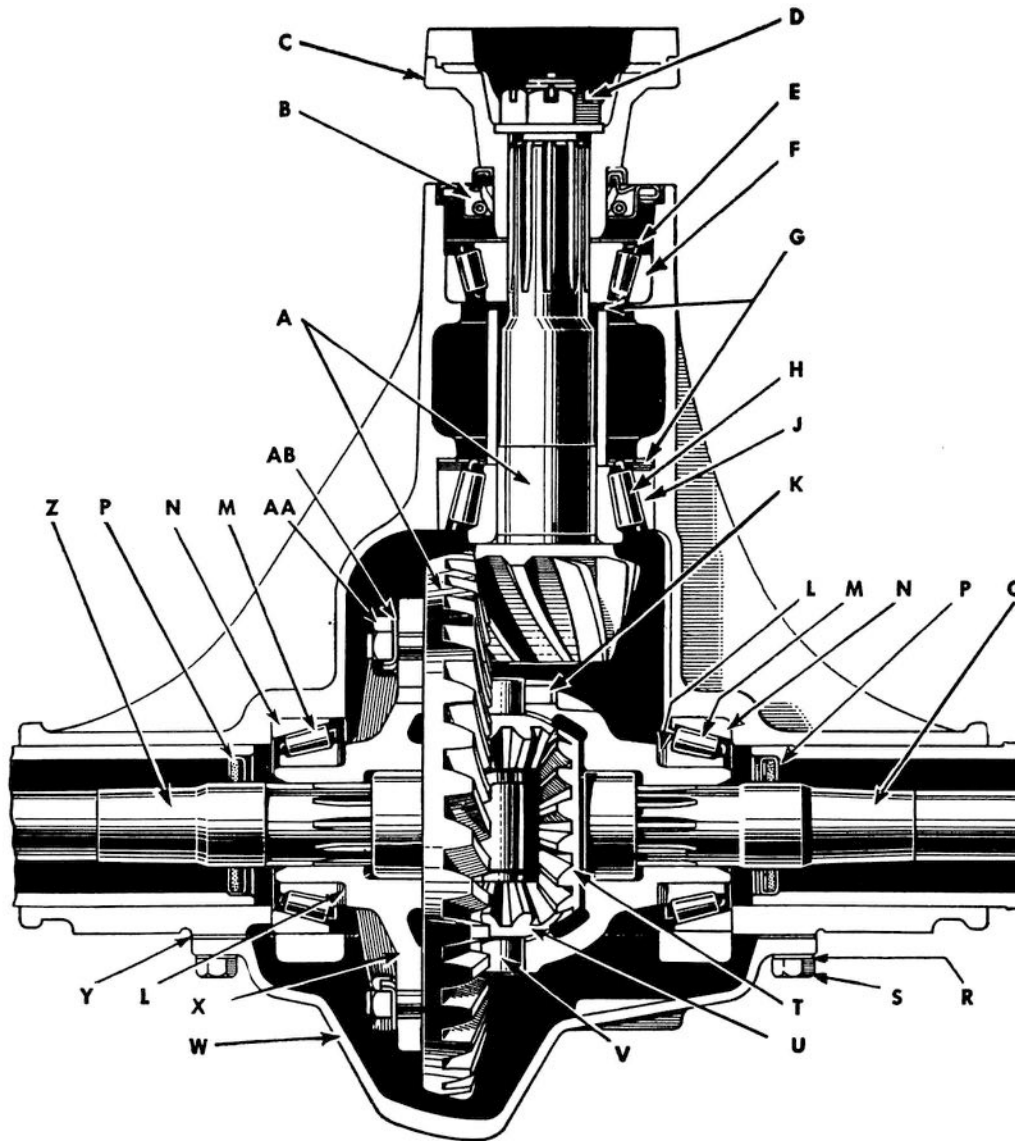
| | | | | | | | |
|-----|----------------------------------------------|-----------------------------|-------------------------------------------------|-------------------------|---------------------------------------------------------------------------------------------|----|---|
| G-9 | 8080-8997SF | | SP-8997SF WO-A1327 FM-GPW4602 | 07-1 09-2 | SHAFT, propeller, rear, w/universal JOINTS, assy (Includes YOKE SP-K2-2-329). | ea | 1 |
| G-9 | G540-7365352 H001-4171645 H001-7025775 | 7365352 121956 115314 | FM-20421S2 | | BOLT, hex-hd, S, phos-ctd, $\frac{1}{16}$ -20NF-3 x $1\frac{1}{16}$. | ea | 4 |
| G-9 | 8080-715W | | SP-715W WO-A979 FM-GP7733 | | NUT, hex, light, s-fin, S, phos-ctd, $\frac{1}{16}$ -20NF-3. | ea | 4 |
| G-9 | G503-7036583 | 7036583 | SP-K2-62-210-212-1907 WO-A1428 FM-GPW3370 | 09-1 | WASHER, lock, med, S, phos-ctd, $\frac{1}{16}$ in. | ea | 1 |
| G-9 | 3320-GPW4605 | | SP-K2-62-210-212-1718 WO-A1429 FM-GPW4605 | 09-2 | SHIELD, dust, propeller shaft yoke | ea | 1 |
| K-3 | 45-V-18129-3 | 45-V- 18129-3 | | | TUBE, front propeller shaft, assy (Also known as SHAFT, welded assy). | ea | 1 |
| G-9 | G503-7702465 | 7702465 | SP-K2-16-53 WO-A943 FM-GP7097 | 09-1, 2 | TUBE, rear propeller shaft, assy (Also known as SHAFT, welded assy). | ea | 1 |
| G-9 | G503-7702631 | 7702631 | SP-K2-2-329 WO-A950 FM-GP4866 | 09-2 | VALVE, lubricating pressure relief, 1500 lb, $\frac{1}{8}$ -27NPT, male, short. | ea | 4 |
| G-9 | 8080-K2-4-88X | | SP-K2-4-88X WO-A1106 FM-GP7729 | 01-2 08-1, 2 09-1 | WASHER, packing, sliding yoke (cork, split, 1 ID x $1\frac{3}{4}$ OD x $\frac{1}{16}$ thk). | ea | 2 |
| G-9 | 8080-124J | | WO-A980 FM-356125S | | YOKE, flange, rear propeller shaft to transfer (previously known as FLANGE). | ea | 1 |
| H-1 | H001-0811055 | 103388 | | | YOKE, front propeller shaft to transfer, w/ SHIELD, assy. | ea | 1 |
| G-9 | 8080-S1056 | | SP-S1056 WO-636570 FM-356504S | | NUT, special, hex, S, $\frac{3}{4}$ -20NEF-3 | ea | 1 |
| G-9 | 8080-K2-4-108X | | SP-K2-4-108X WO-A1445 FM-GP4842 | 09-1, 2 10-2 11-2 | PIN, cotter, split, S, $\frac{1}{8}$ x $1\frac{1}{4}$. | ea | 1 |
| G-9 | G503-7367861 | 7367861 | SP-S1135 WO-636569 FM-356126S | 10-2 11-2 | WASHER, special, flat, $\frac{3}{4}$ in. | ea | 1 |
| G-9 | 8080-S1056 | 143222 | SP-S1056 WO-636570 FM-356504S | 11-2 11-2 | YOKE, propeller shaft to axle | ea | 2 |
| G-9 | 3320-GP7092 | | WO-A936 FM-GP7092 | | NUT, hex, slotted, S $\frac{3}{4}$ -16NF-3 | ea | 2 |
| G-9 | G503-5226157 | A226157 | SP-K2-3-198X WO-A935 FM-GP4841 | 09-1, 2 | PIN, cotter, split, S, $\frac{3}{16}$ x $1\frac{1}{2}$. | ea | 2 |
| | | | | | WASHER, special, flat, $\frac{3}{4}$ in. | ea | 2 |
| | | | | | YOKE, sliding | ea | 2 |
| | | | | | YOKE, sliding, w/PLUG, assy | ea | 2 |



| KEY ITEM | PART NO. | GROUP | KEY ITEM | PART NO. | GROUP |
|-----------------|-----------|--------|-----------------|-------------|-------|
| A—ARM | SP-17301X | 1004 | J—SPINDLE, ASSY | SP-17202X | 1004 |
| B—GUARD | WO-A1457 | 1204.3 | K—END, ASSY | TP-14SV90A7 | 1401 |
| C—SCREW | 180077 | 1001 | L—CLAMP | TP-16MN8 | 1401 |
| D—HOUSING, ASSY | SP-17310X | 1001 | M—TUBE | SP-17295-2 | 1401 |
| E—NUT | SP-S1106 | 1401 | N—END, ASSY | TP-14SV89A7 | 1401 |
| F—BELLCRANK | SP-17307 | 1401 | P—COVER | WO-A10231 | 1001 |
| G—ARM | SP-17302X | 1004 | Q—TUBE | SP-17295-1 | 1401 |
| H—BRAKE, ASSY | BX-47047 | 1202 | | | |

RA PD 342275G

Figure 10-1. Front axle assembly.



| KEY ITEM | PART NO. | GROUP |
|------------|--------------|-------|
| A—GEAR SET | SP-16412X | 1002 |
| B—SEAL | 500071 | 1002 |
| C—YOKE | SP-K2-4-108X | 0900 |
| D—NUT | SP-S1135 | 0900 |
| E—CONE | 705271 | 1002 |
| F—CUP | 707063 | 1002 |
| G—SHIM | SP-S112 | 1002 |
| H—CONE | 705478 | 1002 |
| J—CUP | 706877 | 1002 |
| K—PIN | SP-13449 | 1002 |
| L—SHIM | SP-S58 | 1002 |
| M—CONE | 705438 | 1002 |
| N—CUP | 706849 | 1002 |
| P—SEAL | 500030 | 1006 |
| Q—SHAFT | WO-A1728 | 1006 |
| R—WASHER | 120393 | 1001 |
| S—SCREW | 180077 | 1001 |
| T—GEAR | SP-16385 | 1002 |
| U—PINION | SP-15926 | 1002 |
| V—SHAFT | SP-16075 | 1002 |
| W—COVER | WO-A10231 | 1001 |
| X—CASE | SP-16383 | 1002 |
| Y—GASKET | SP-16409 | 1001 |
| Z—SHAFT | WO-A1715 | 1006 |
| AA—SCREW | 120758 | 1002 |
| AB—STRAP | SP-16866 | 1002 |

Figure 10-2. Differential—cross section.

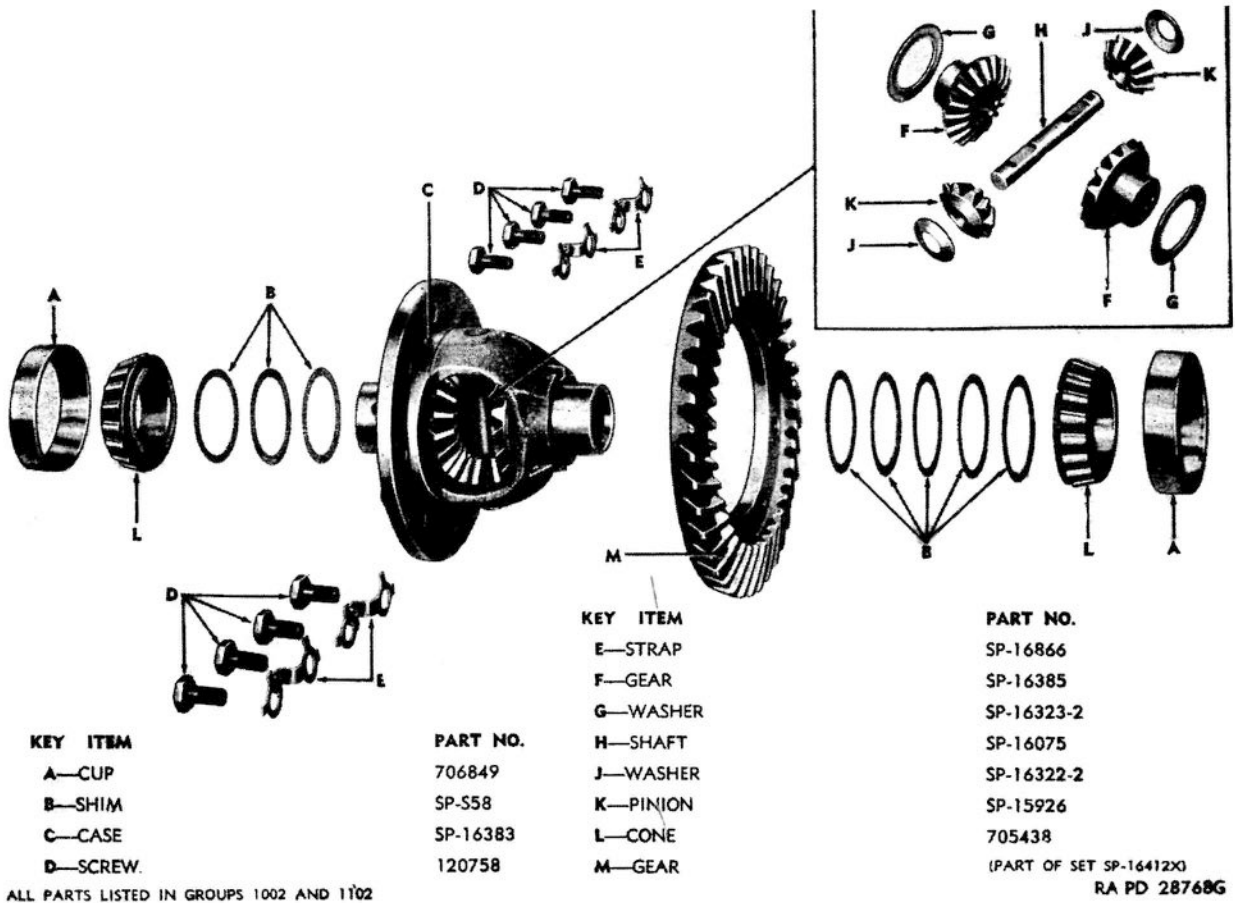
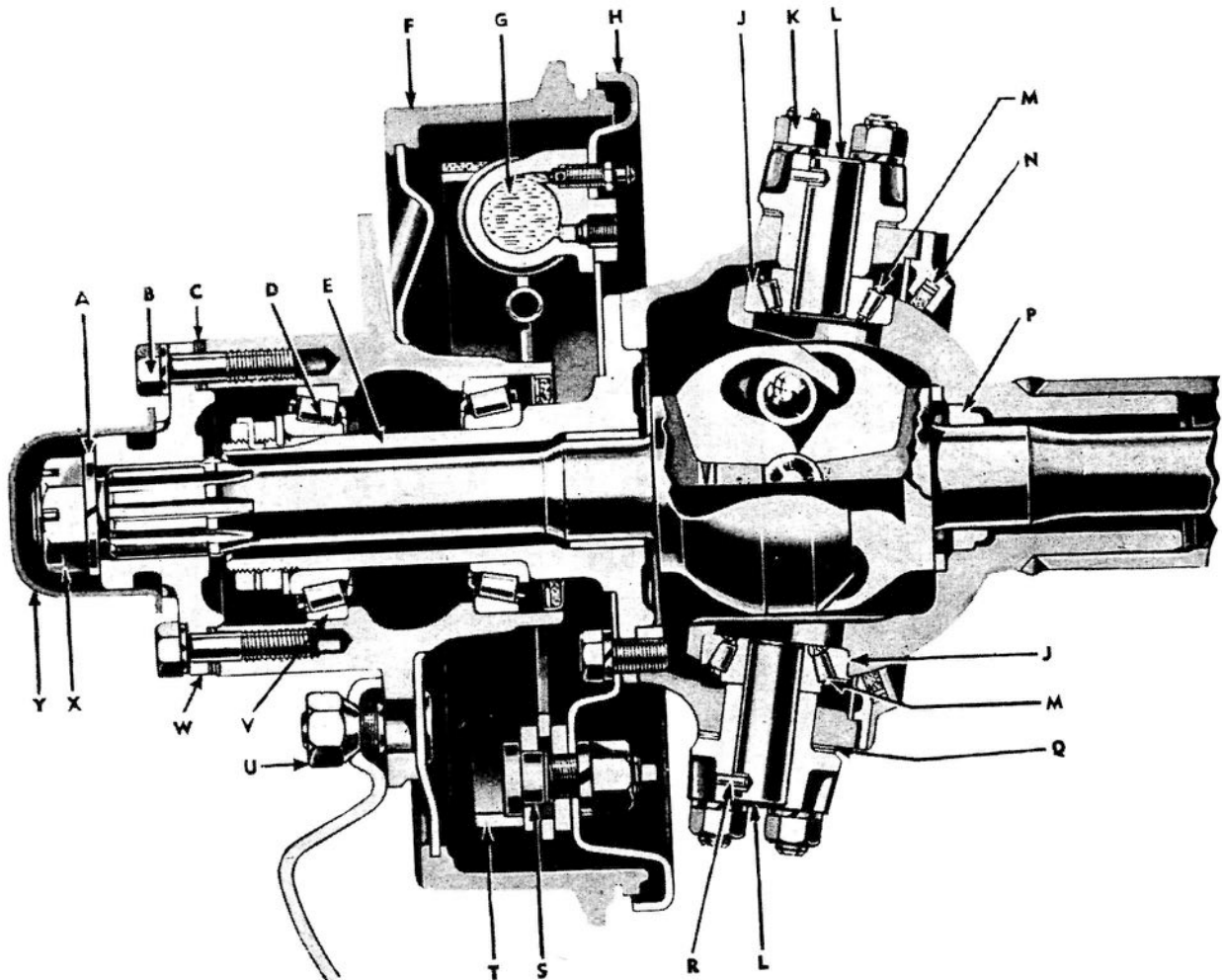


Figure 10-3. Differential—exploded view.



KEY ITEM

- A—WASHER
- B—BOLT
- C—SHIM
- D—CONE
- E—SPINDLE, ASSY
- F—(HUB, ASSY, LEFT
- G—(HUB, ASSY, RIGHT
- H—CYLINDER, ASSY
- I—PLATE, ASSY
- J—CUP
- K—NUT
- L—PIN
- M—CONE
- N—SEAL, ASSY
- P—SEAL
- Q—SHIM
- R—PIN
- S—PIN
- T—SHOE, ASSY
- U—(NUT (LH. THD)
- (NUT (RH THD)
- V—CUP
- W—FLANGE
- X—NUT
- Y—CAP

PART NO.

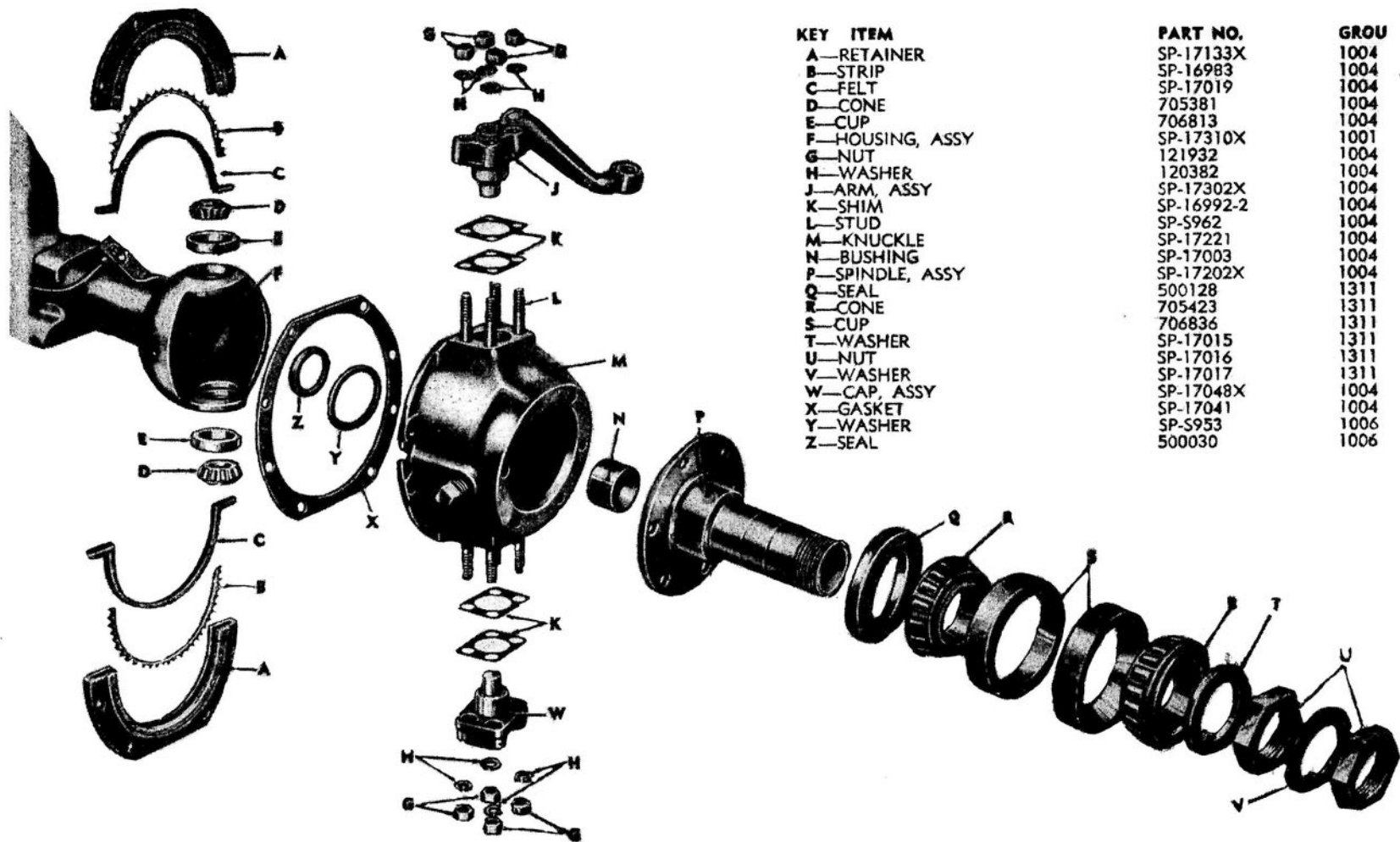
- SP-51056
- SP-6-73-124
- SP-17155-1
- 705423
- SP-17202X
- {KHW-25647
- {KHW-25646
- BX-45908
- BX-47054
- 706813
- 121932
- SP-16991
- 705381
- SP-17135X
- 500034
- SP-16992-1
- SP-5957
- BX-39953
- BX-114151
- {KHW-24576
- {KHW-24575
- 706836
- SP-17153
- SP-S1135
- SP-17071

GROUP

- 1006
- 1006
- 1006
- 1311
- 1004
- {1312
- {1312
- 1204.2
- 1202
- 1004
- 1004
- 1004
- 1004
- 1004
- 1006
- 1004
- 1004
- 1202
- 1202
- {1311
- {1311
- 1311
- 1006
- 1006
- 1312

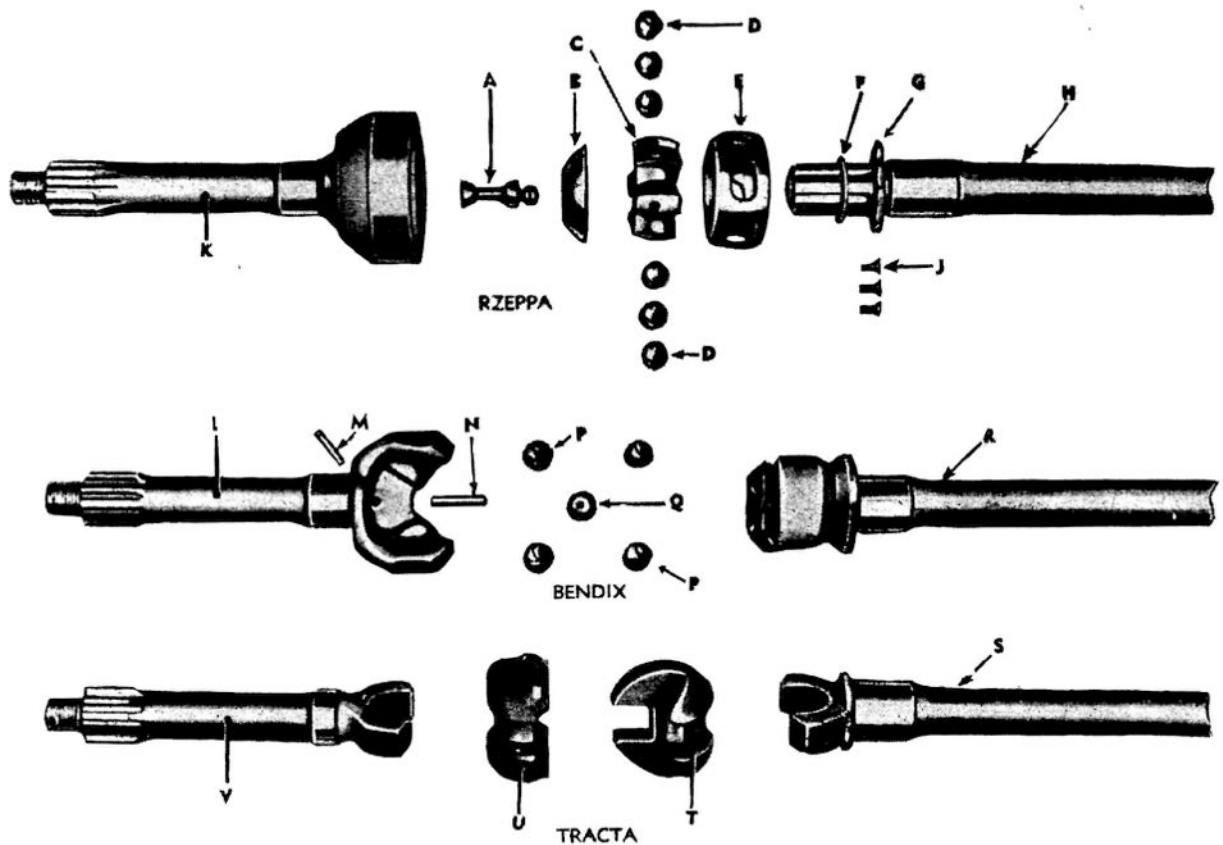
RA PD 342271G

Figure 10-4. Front axle, steering knuckle, and hub—assembly.



RA PD 354900

Figure 10-5. Front axle, steering knuckle, and related parts—exploded view.



| KEY ITEM | PART NO. | KEY ITEM | PART NO. |
|--------------------------------|---------------------------|--------------------------------|-----------------------|
| A—PIN | SP-17224 | M—PIN | WO-A6278 |
| B—PILOT | SP-17233 | N—PIN | WO-A6279 |
| C—RACE | SP-17231 | P—BALL | WO-A6289 |
| D—BALL | WO-A1721 | Q—BALL | WO-A6288 |
| E—CAGE | SP-17236 | R—{SHAFT, LEFT SHAFT, RIGHT | {WO-A6274 WO-A6275 |
| F—RING | SP-17218 | S—{SHAFT, LEFT SHAFT, RIGHT | {NP-38491 NP-38492 |
| G—RETAINER | SP-17216 | T—JOINT | NP-38371 |
| H—{SHAFT, LEFT SHAFT, RIGHT | {SP-17122-4 SP-17122-3 | U—JOINT | NP-38372 |
| J—SCREW | 133486 | V—SHAFT | NP-38373 |
| K—SHAFT | SP-17229 | | |
| L—SHAFT | WO-A6272 | | |

RA PD 342273G

ALL PARTS LISTED IN GROUP 1006

Figure 10-6. Front axle universal joints—exploded view.

| (1) NOTE SYMBOL | (2) STOCK NO. | (3) ORDNANCE PART NO. | (4) MFR'S PART NO. | (5) FIGURE NO. | (6) NOMENCLATURE | (7) UNIT OF MEAS- URE | (8) QUAN- TITY PER UNIT ASSEM- BLY |
|-----------------------|------------------|-----------------------------|-------------------------------------|-------------------|-------------------------------------------------------------------------------------------|-----------------------------------|------------------------------------------------------|
| | | | | | GROUP 10—FRONT AXLE | | |
| | | | | | 1000—FRONT AXLE ASSEMBLY | | |
| | | | SP-2058-1 WO-A1212 | ----- | AXLE, front, assy (Bendix joints) ^{2 4} ----- | ea | 1 |
| | | | SP-2058-2 WO-A1387 | ----- | AXLE, front, assy (Rzeppa joints) ^{2 4} ----- | ea | 1 |
| | | | SP-SKA34172 WO-A1765 | ----- | AXLE, front, assy (Spicer joints) ^{2 4} ----- | ea | 1 |
| | | | SP-2058-3 WO-A6442 | ----- | AXLE, front, assy (Tracta joints) ^{2 4} ----- | ea | 1 |
| | | | WO-A5498 | | AXLE, front, w/BRAKES, DRUMS, and HUB, assy (Bendix joints) ^{3 4} . | ea | 1 |
| G-9 | G503-7734206 | 7734206 | WO-A6029 | 07-1 | AXLE, front, w/BRAKES, DRUMS, and HUB, assy (Bendix or Tracta joints) ^{3 4} . | ea | 1 |
| G-9 | G503-7734206 | 7734206 | WO-A5499 FM-GPW3001 WO-A6470 | 07-1 | AXLE, front, w/BRAKES, DRUMS, and HUB, assy (Rzeppa joints) ^{3 4} . | ea | 1 |
| | | | FM-GP4016A WO-A781 | ----- | AXLE, front, w/BRAKES, DRUMS, and HUB, assy (Tracta joints) ^{3 4} . | ea | 1 |
| | | | FM-GP4016 FM-GP4015 | ----- | COVER (Superseded by COVER WO -A10231)--- | ea | 1 |
| | | | | ----- | COVER (Superseded by COVER WO-A10231)--- | ea | 1 |
| | | | | | 1001—FRONT AXLE HOUSING, COVERS, AND PLUGS | | |
| G-9 | 8080-16976 | ----- | WO-A10231 | 10-1, 2 | COVER----- | ea | 1 |
| H-1 | H001-5453141 | 180077 | | 10-1, 2 | SCREW, cap, hex-hd, S, cd or zn-pltd, $\frac{5}{16}$ - 18NC-3 x $\frac{3}{4}$. | ea | 10 |
| H-1 | H001-7043711 | 120393 | | 10-2 | WASHER, plain, SAE std, S, cd or zn-pltd, $\frac{5}{16}$ in. | ea | 10 |
| G-9 | 8080-16409 | ----- | SP-16409 WO-A782 | 10-2 | GASKET, cover----- | ea | 1 |
| | | | FM-GP4035 | | | | |
| G-9 | 8080-17310X | ----- | SP-17310X WO-A1703 FM-GPW3074 | 10-1, 5 | HOUSING, w/TUBE, assy----- | ea | 1 |

| | | | | | | | |
|-------------------------------------|---------------|---------|------------------------------------|---------|---------------------------------------------------------------------------------------------------------------------------------------------------|----|---|
| G-9 | G134-0340397 | A283318 | SP-16979 WO-A870 FM-GP4022 | | PLUG, air vent----- | ea | 1 |
| H-6 | H006-0283765 | 113186 | | | PLUG, pipe, countersunk, MI, 3/4 in. (drain)----- | ea | 1 |
| H-6 | H006-0283567 | 103869 | | | PLUG, pipe, sq-hd, CI, 3/4 in. (oil filler)----- | ea | 1 |
| 1002—FRONT AXLE DIFFERENTIAL | | | | | | | |
| | | | WO-A764 FM-GP4224 | | CAP, case bearing----- | ea | 2 |
| H-1 | H101-0213821 | 213821 | | | SCREW, cap, hex-hd, S, cd or zn-pltd, 1/2-13NC-2 x 2 1/4. | ea | 4 |
| H-1 | H101-0180447 | 180447 | | | WASHER, lock, int-teeth, heavy, S, cd or zn-pltd, 1/2 in. | ea | 4 |
| G-9 | 8080-16383 | | SP-16383 WO-A793 FM-GP4206 | 10-2, 3 | CASE, differential----- | ea | 1 |
| H-12 | H012-6146900 | 705438 | TIM-24780 | 10-2, 3 | CONE, tapered roller bearing, No. TIM-24780 (Includes rollers and cage, type TS, SR, 1.625 bore, 0.9063 width) (case bearing). | ea | 2 |
| H-12 | H012-6160380 | 705478 | TIM-31593 | 10-2 | CONE, tapered roller bearing, No. TIM-31593 (Includes rollers and cage, type TS, SR, 1.375 bore, 1.125 width) (drive pinion inner bearing). | ea | 1 |
| H-12 | H012-6122200 | 705271 | TIM-02872 | 10-2 | CONE, tapered roller bearing, No. TIM-02872 (Includes rollers and cage, type TS, SR, 1.125 bore, 0.875 width) (drive pinion outer bearing). | ea | 1 |
| H-12 | H012-6220960 | 706849 | TIM-24721 | 10-2, 3 | CUP, tapered roller bearing, No. TIM-24721 (type TS, SR, 3.000 OD, 0.8125 width) (case bearing). | ea | 2 |
| H-12 | H012-6224700 | 706877 | TIM-31520 | 10-2 | CUP, tapered roller bearing, No. TIM-31520 (type TS, SR, 3.000 OD, 0.9375 width) (drive pinion inner bearing). | ea | 1 |
| H-12 | H012-6209700 | 707063 | TIM-02820 | 10-2 | CUP, tapered roller bearing, No. TIM-02820 (SR type TS, 2.875 OD, 0.6875 width) (drive pinion outer bearing). | ea | 1 |
| | G-503-7744948 | 7744948 | SP-16969X FM-GP4207 | | DIFFERENTIAL, assy (Does not include drive GEAR and PINION). | ea | 1 |
| G-9 | 8080-16968X | | SP-16968X WO-A788 FM-GPW4212 | | DIFFERENTIAL, assy (Includes drive GEAR and PINION). | ea | 1 |
| G-9 | 8080-S171 | | SP-S171 WO-636565 FM-GP4661 | | GASKET, drive pinion shaft oil seal----- | ea | 1 |

* AXLES WO-A1212, WO-A1387, WO-A1765, and WO-A6442 are interchangeable as complete assemblies.

* AXLE assemblies, FM-GPW3001, WO-A5498, WO-A5499, WO-A6029, and WO-A6470 are interchangeable as complete assemblies.

* These assemblies include steering tie RODS and BELLCRANK.

| (1) NOTE SYMBOL | (2) STOCK NO. | (3) ORDNANCE PART NO. | (4) MFR'S PART NO. | (5) FIGURE NO. | (6) NOMENCLATURE | (7) UNIT OF MEAS- URE | (8) QUAN- TITY PER UNIT ASSEM- BLY |
|-----------------------------------------------|------------------|-----------------------------|------------------------------------|-------------------|--------------------------------------------------------------------------|-----------------------------------|------------------------------------------------------|
| GROUP 10—FRONT AXLE—Continued | | | | | | | |
| 1002—FRONT AXLE DIFFERENTIAL—Continued | | | | | | | |
| G-9 | 8080-16385 | ----- | SP-16385 WO-A794 FM-GPW4236 | 10-2, 3 | GEAR, side (16T, 2.758 OD)----- | ea | 2 |
| G-9 | 8080-16412X | ----- | SP-16412X WO-A789 FM-GPW4209 | 10-2 | GEAR SET, differential drive (Consists of matched ring GEAR and PINION). | ea | 1 |
| H-1 | H001-5421241 | 120758 | ----- | 10-2, 3 | SCREW, cap, hex-hd, S, cd or zn-pltd, 3/8-24NF-3 x 3/4. | ea | 8 |
| G-9 | 8080-16866 | ----- | SP-16866 WO-A792 FM-GP4281 | 10-2, 3 | STRAP, locking----- | ea | 4 |
| G-9 | 8080-13449 | ----- | SP-13449 WO-636360 FM-GP4241 | 10-2 | PIN, locking, pinion shaft----- | ea | 1 |
| G-9 | 8080-15926 | ----- | SP-15926 WO-A796 FM-GPW4215 | 10-2, 3 | PINION, differential (10T, 1.14 OD)----- | ea | 2 |
| H-13 | H013-0500071 | 500071 | ----- | 10-2 | SEAL, oil, type MLS, 1 1/8 x 3.165 x 1 1/2 (drive pinion). | ea | 1 |
| G-9 | 8080-16075 | ----- | SP-16075 WO-A798 FM-GP4211 | 10-2, 3 | SHAFT, differential pinions----- | ea | 1 |
| G-9 | 8080-15099 | ----- | SP-15099 WO-636568 FM-GP4666 | ----- | SHIELD, dust, drive pinion----- | ea | 1 |
| G-9 | 8080-S58 | ----- | SP-S58 WO-A784 FM-GP4229A | 10-2, 3 | SHIM, case bearing (0.003 thk.)----- | ea | ‡ |
| G-9 | 8080-S59 | ----- | SP-S59 WO-A785 FM-GP4229B | ----- | (0.005 thk.)----- | ea | ‡ |
| G-9 | 8080-S74 | ----- | SP-S74 | ----- | (0.010 thk.)----- | ea | ‡ |

| | | | | | | | |
|-----|--------------|-------|------------|-------|-------------------------------------|----|---|
| G-9 | 8080-S75 | ----- | WO-A786 | ----- | (0.015 thk.)----- | ea | ‡ |
| | | | FM-GP4229C | | (0.030 thk.)----- | ea | ‡ |
| G-9 | 8080-S112 | ----- | SP-S112 | 10-2 | SHIM, drive pinion inner bearing | ea | ‡ |
| | | | WO-A800 | | (0.003 thk.)----- | | |
| G-9 | 8080-S113 | ----- | FM-GP4660A | ----- | (0.005 thk.)----- | ea | ‡ |
| | | | SP-S113 | | | | |
| G-9 | 8080-S114 | ----- | WO-A801 | ----- | (0.010 thk.)----- | ea | ‡ |
| | | | FM-GP4660B | | | | |
| G-9 | 8080-S114 | ----- | SP-S114 | ----- | (0.010 thk.)----- | ea | ‡ |
| | | | WO-A802 | | | | |
| G-9 | 8080-S638 | ----- | FM-GP4660C | ----- | SHIM, drive pinion outer bearing | ea | ‡ |
| | | | SP-S638 | | (0.003 thk.)----- | | |
| G-9 | 8080-S638-1 | ----- | WO-A803 | ----- | (0.005 thk.)----- | ea | ‡ |
| | | | FM-GP4659A | | | | |
| G-9 | 8080-S638-2 | ----- | SP-S638-1 | ----- | (0.010 thk.)----- | ea | ‡ |
| | | | WO-A804 | | | | |
| G-9 | 8080-S638-2 | ----- | FM-GP4659B | ----- | (0.010 thk.)----- | ea | ‡ |
| | | | SP-S638-2 | | | | |
| G-9 | 8080-S638-3 | ----- | WO-A805 | ----- | (0.030 thk.)----- | ea | ‡ |
| | | | FM-GP4659C | | | | |
| G-9 | 8080-S638-3 | ----- | SP-S638-3 | ----- | (0.030 thk.)----- | ea | ‡ |
| | | | WO-A806 | | | | |
| G-9 | 8080-13575 | ----- | FM-GP4659D | ----- | SLINGER, oil, drive pinion bearing | ea | 1 |
| | | | SP-13575 | | | | |
| G-9 | 8080-15367 | ----- | WO-636566 | ----- | SPACER, drive pinion bearings | ea | 1 |
| | | | FM-GP4619 | | | | |
| G-9 | 8080-15367 | ----- | SP'15367 | ----- | SPACER, drive pinion bearings | ea | 1 |
| | | | WO-A799 | | | | |
| G-9 | 8080-16322-2 | ----- | FM-GP4668 | 10-3 | WASHER, thrust, differential pinion | ea | 2 |
| | | | SP-16322-2 | | | | |
| G-9 | 8080-16322-2 | ----- | WO-A797 | 10-3 | WASHER, thrust, side gear | ea | 2 |
| | | | FM-GP4230 | | | | |
| G-9 | 8080-16323-2 | ----- | SP-16323-2 | ----- | WASHER, thrust, side gear | ea | 2 |
| | | | WO-A795 | | | | |
| G-9 | 8080-16323-2 | ----- | FM-GP4228 | ----- | WASHER, thrust, side gear | ea | 2 |
| | | | SP-16323-2 | | | | |

| (1) NOTE SYMBOL | (2) STOCK NO. | (3) ORDNANCE PART NO. | (4) MFR'S PART NO. | (5) FIGURE NO. | (6) NOMENCLATURE | (7) UNIT OF MEAS- URE | (8) QUAN- TITY PER UNIT ASSEM- BLY |
|-------------------------------------------------|------------------|-----------------------------|------------------------------------------------|-------------------|---------------------------------------------------------------------------------------------------------------------------|-----------------------------------|------------------------------------------------------|
| GROUP 10—FRONT AXLE—Continued | | | | | | | |
| 1004—STEERING KNUCKLES AND RELATED PARTS | | | | | | | |
| G-9 | 8080-17302X | ----- | SP-17302X WO-A1712 FM-GPW3113 | 10-1, 5 | ARM, steering knuckle, left, w/king PIN and lock PIN, assy. | ea | 1 |
| G-9 | 8080-17301X | ----- | SP-17301X WO-A1710 FM-GPW3112 | 10-1 | ARM, steering knuckle, right, w/king PIN and lock PIN, assy. | ea | 1 |
| H-1 | H001-4171601 | 121932 | ----- | 10-4, 5 | NUT, hex, light, s-fin, S, cd or zn-pltd, $\frac{3}{8}$ -24NF-3. | ea | 8 |
| G-9 | 3320-GPW3325 | ----- | WO-A5504 FM-GPW3325 | ----- | STUD, dowel, S, $\frac{3}{8}$ -24NF-3 x 2 | ea | 4 |
| G-9 | G503-7324920 | 7324920 | SP-S962 WO-A1714 FM-357703S | 10-5 | STUD, S, $\frac{3}{8}$ -24NF-3 x 2 | ea | 4 |
| H-1 | H001-7025741 | 120382 | ----- | 10-5 | WASHER, lock, med, S, cd or zn-pltd, $\frac{3}{8}$ in. | ea | 8 |
| G-9 | 8080-6-73-1117 | ----- | SP-6-73-1117 WO-A821 FM-35526S | ----- | BOLT, stop, steering knuckle (S, $\frac{3}{8}$ -24NF-3 x $1\frac{1}{8}$). | ea | 2 |
| H-1 | H001-4183601 | 122236 | ----- | ----- | NUT, jam, hex, light, s-fin, S, cd or zn-pltd, $\frac{3}{8}$ -24NF-3. | ea | 2 |
| G-9 | 8080-17003 | ----- | SP-17003 WO-A853 FM-GP3205 FM-GP3205A | 10-5 | BUSHING, front wheel spindle, inner (bz, 1.251 ID x 1.376 OD x $\frac{3}{8}$ long) (Also known as BEARING, bushing type). | ea | 2 |
| G-9 | 8080-17048X | ----- | SP-17048X WO-A828 FM-GP3140 | 10-5 | CAP, steering knuckle, w/king and lock PIN, assy. | ea | 2 |
| H-1 | H001-4171601 | 121932 | ----- | 10-5 | NUT, hex, light s-fin, S, cd or zn-pltd, $\frac{3}{8}$ -24NF-3. | ea | 8 |
| G-9 | G503-7324920 | 7324920 | SP-S962 WO-A1714 FM-357703S | 10-5 | STUD, S, $\frac{3}{8}$ -24NF-3 x 2 | ea | 8 |
| H-1 | H001-7025741 | 120382 | ----- | 10-5 | WASHER, lock, med, S, cd or zn-pltd, $\frac{3}{8}$ in. | ea | 8 |

| | | | | | | | |
|------|--------------|--------|-------------------------------------|---------|-------------------------------------------------------------------------------------------------------------------------------------------------|----|----|
| H-12 | H012-6133330 | 705381 | TIM-11590 | 10-4, 5 | CONE, tapered roller bearing, No. TIM-11590 (Includes rollers and cage, SR type TSS, steep angle, 0.625 bore, 0.5625 width) (king pin bearing). | ea | 4 |
| H-12 | H012-6216140 | 706813 | TIM-11520 | 10-4, 5 | CUP, tapered roller bearing, No. TIM-11520 (SR, type TSS, steep angle, 1.6875 OD, 0.375 width) (king pin bearing). | ea | 4 |
| G-9 | 8080-17019 | ----- | SP-17019 WO-A819 FM-GP3135 | 10-5 | FELT, steering knuckle oil seal (half) ----- | ea | 4 |
| G-9 | 8080-17041 | ----- | SP-17041 WO-A820 FM-GP1092 | 10-5 | GASKET, steering knuckle oil seal ----- | ea | 2 |
| G-9 | 8080-17222 | ----- | SP-17222 WO-A812 FM-GP3149A | ----- | KNUCKLE, steering, left ----- | ea | 1 |
| G-9 | 8080-17221 | ----- | SP-17221 WO-A811 FM-GP3148A | 10-5 | KNUCKLE, steering, right ----- | ea | 1 |
| G-9 | 8080-16991 | ----- | SP-16991 WO-A824 FM-GP3115 | 10-4 | PIN, king, steering knuckle ----- | ea | 4 |
| G-9 | 8080-S957 | ----- | SP-S957 WO-A825 FM-GP3122 | 10-4 | PIN, lock, steering knuckle king pin ----- | ea | 4 |
| H-6 | H006-0283571 | 103868 | ----- | ----- | PLUG, pipe, sq-hd, CI, 1/2 in. (steering knuckle oil filling opening). | ea | 2 |
| G-9 | 8080-17133X | ----- | SP-17133X WO-A814 FM-GP1089 | 10-5 | RETAINER, steering knuckle oil seal (half) ----- | ea | 4 |
| G-0 | 8080-17135X | ----- | SP-17135X WO-A813 FM-GP1088 | 10-4 | SEAL, oil, steering knuckle, assy (half) ----- | ea | 4 |
| H-1 | H101-0214656 | 214656 | ----- | ----- | SCREW, cap, hex-hd, S, cd or zn-pltd, 5/16-24NF-2 x 5/8. | ea | 16 |
| H-1 | H001-7017651 | 138485 | ----- | ----- | WASHER, lock, ext-teeth, reg, S, cd or zn-pltd, 5/16 in. | ea | 16 |
| G-9 | 8080-16992-1 | ----- | SP-16992-1 WO-A830 FM-GP3117A | 10-4 | SHIM, king pin bearing: (0.003 thk.) ----- | ea | ‡ |
| G-9 | 8080-16992-2 | ----- | SP-16992-2 WO-A831 FM-GP3117B | 10-5 | (0.005 thk.) ----- | ea | ‡ |

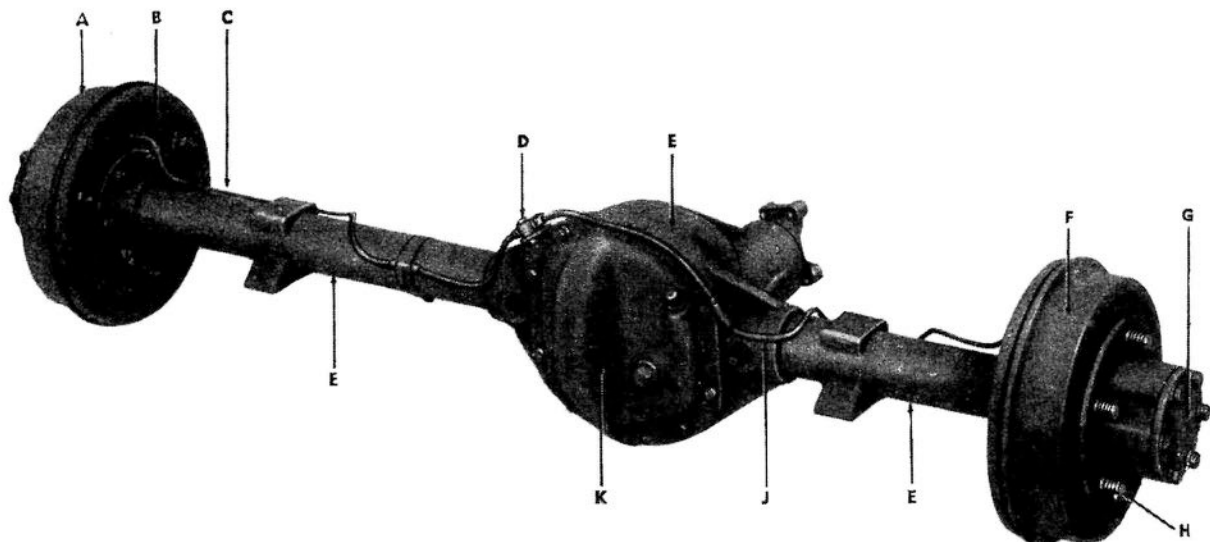
| (1) NOTE SYMBOL | (2) STOCK NO. | (3) ORDNANCE PART NO. | (4) MFR'S PART NO. | (5) FIGURE NO. | (6) NOMENCLATURE | (7) UNIT OF MEAS- URE | (8) QUAN- TITY PER UNIT ASSEM- BLY |
|------------------------------------------------------|------------------|-----------------------------|-------------------------------------|-------------------|-------------------------------------------------------------------------------------------------------------------------------|-----------------------------------|------------------------------------------------------|
| GROUP 10—FRONT AXLE—Continued | | | | | | | |
| 1004—STEERING KNUCKLES AND RELATED PARTS—Con. | | | | | | | |
| G-9 | 8080-16992-3 | ----- | SP-16992-3 WO-A832 FM-GP3117C | ----- | SHIM—Continued (0.010 thk.)----- | ea | † |
| G-9 | 8080-16992-4 | ----- | SP-16992-4 WO-A833 FM-GP3117D | ----- | (0.030 thk.)----- | ea | † |
| G-9 | 8080-17202X | ----- | SP-17202X WO-A851 FM-GP3105 | 10-1, 4, 5 | SPINDLE, front wheel, w/BUSHING, assy----- | ca | 2 |
| H-1 | H001-5421221 | 123520 | ----- | ----- | SCREW, cap, hex-hd, S, cd or zn-pltd, 3/8- 24NF-3 x 3/4. | ea | 12 |
| H-1 | H001-7025741 | 120382 | ----- | ----- | WASHER, lock, med, S, cd or zn-pltd, 3/8 in | ea | 12 |
| G-9 | 8080-16983 | ----- | SP-16983 WO-A818 FM-GP3139 | 10-5 | STRIP, pressure, steering knuckle oil seal, rubber (half). | ea | 4 |
| 1006—FRONT AXLE SHAFTS AND UNIVERSAL JOINTS | | | | | | | |
| G-9 | 8080-17232 | ----- | WO-A1721 FM-358074S WO-A6288 | 10-6 10-6 | BALL, universal joint (S, 1 1/16 diam) (Rzeppa joint). | ea | 12 |
| | | | | | BALL, universal joint, center, drilled (Bendix joint). | ea | 1 |
| | | | | | BALL, universal joint, outer (Bendix joint)----- | ea | 8 |
| | | | | 10-6 | 0.872 diam----- | ea | † |
| | | | | ----- | 0.873 diam----- | ea | † |
| | | | | ----- | 0.874 diam----- | ea | † |
| | | | | ----- | 0.875 diam----- | ea | † |
| | | | | ----- | 0.876 diam----- | ea | † |
| | | | | ----- | 0.877 diam----- | ea | † |
| | | | | ----- | 0.878 diam----- | ea | † |
| G-9 | G503-7338861 | 7338861 | WO-A6362 | ----- | BEARING, bushing type, axle shaft, outer (for Tracta joint) (can replace oil SEAL 500034 with Bendix or Rzeppa joints). | ea | 2 |

| | | | | | | | |
|-----|---------------|---------|-------------------------------------|------|---------------------------------------------------------------|----|----|
| G-9 | 8080-17230 | | SP-17230 WO-A1719 FM-GP3215A | 10-6 | CAGE, universal joint (Rzeppa)----- | ea | 2 |
| G-9 | 8080-17153 | | SP-17153 WO-A868 FM-GP3204 | 10-4 | FLANGE, drive, axle shaft----- | ea | 2 |
| G-9 | 8080-6-73-124 | | SP-6-73-124 WO-A760 FM-GP1110 | 10-4 | BOLT, hex-hd, s-fin, alloy-S, 3/8-16NC-2 x 1 1/2. | ea | 12 |
| | G503-7367861 | 7367861 | SP-S1135 WO-636569 FM-356126S | 10-4 | NUT, hex, slotted, S, 3/4-16NF-3----- | ea | 2 |
| H-1 | H001-0811055 | 103388 | WO-5134 FM-72089S | | PIN, cotter, split, S, 1/8 x 1 1/4----- | ea | 2 |
| H-1 | H001-7025741 | 120382 | | | WASHER, lock, med, S, cd or zn-pltd, 3/8 in----- | ea | 12 |
| G-9 | 8080-S1056 | | SP-S1056 WO-636570 FM-356504S | 10-4 | WASHER, special, flat, 3/4 in----- | ea | 2 |
| | | | NP-38372 WO-17358 | 10-6 | JOINT, universal, female (Tracta)----- | ea | 1 |
| | | | NP-38371 WO-17357 | 10-6 | JOINT, universal, male (Tracta)----- | ea | 1 |
| | | | NP-38487 WO-17356X WO-A6361 | | JOINT, universal, male and female, matched, assy (Tracta). | ea | 1 |
| G-9 | 8080-17233 | | SP-17233 WO-A1722 FM-GPW3219 | 10-6 | PILOT, universal joint (Rzeppa)----- | ea | 2 |
| | | | WO-A6279 | 10-6 | PIN, universal joint center ball (Bendix joint)---- | ea | 2 |
| | | | WO-A6278 | 10-6 | PIN, universal joint groove (Bendix joint)----- | ea | 2 |
| G-9 | 8080-17224 | | SP-17224 WO-A1723 FM-GP3218 | 10-6 | PIN, universal joint pilot (Rzeppa joint)----- | ea | 2 |
| G-9 | 8080-17231 | | SP-17231 WO-A1720 FM-GP3221 | 10-6 | RACE, universal joint, inner (Rzeppa joint)----- | ea | 2 |
| G-9 | 8080-17216 | | SP-17216 WO-A1724 FM-GP3217 | 10-6 | RETAINER, universal joint inner shaft (Rzeppa joint). | ea | 2 |
| H-1 | H101-0133486 | 133486 | | 10-6 | SCREW, mach, fl-hd, S, cd or zn-pltd, No. 8-32NC-2 x 7/16. | ea | 6 |
| G-9 | 8080-17218 | | SP-17218 WO-A1726 FM-GP3216 | 10-6 | RING, snap, inner shaft (Rzeppa joint)----- | ea | 2 |

| (1) NOTE SYMBOL | (2) STOCK NO. | (3) ORDNANCE PART NO. | (4) MFR'S PART NO. | (5) FIGURE NO. | (6) NOMENCLATURE | (7) UNIT OF MEAS- URE | (8) QUAN- TITY PER UNIT ASSEM- BLY |
|---------------------------------------------------------|------------------|-----------------------------|----------------------------------------------------|-------------------|-----------------------------------------------------------------------------------------------------------------------------------------|-----------------------------------|------------------------------------------------------|
| GROUP 10—FRONT AXLE—Continued | | | | | | | |
| 1006—FRONT AXLE SHAFTS AND UNIVERSAL JOINTS—Con. | | | | | | | |
| H-13 | H013-0500030 | 500030 | SP-17036 WO-A779 FM-GP3034 | 10-2, 5 | SEAL, oil, type MW, 1 $\frac{1}{16}$ x 2.000 x $\frac{1}{4}$ (axle shaft, inner). | ea | 4 |
| H-13 | H013-0500034 | 500034 | SP-17018 WO-A778 FM-GP3031A | 10-4 | SEAL, oil, type MW, 1 $\frac{1}{4}$ x 1.756 x $\frac{1}{4}$ (axle shaft, outer) (Bendix and Rzeppa joints). | ea | 2 |
| | G503-7734390 | 7734390 | SP-17128-2X WO-A810 | ----- | SHAFT, complete, left, assy (Includes inner and outer SHAFTS and universal JOINT) (Bendix joint). | ea | 1 |
| G-9 | G503-7734390 | 7734390 | WO-A6030 | ----- | SHAFT, complete, left, assy (Includes inner and outer SHAFTS and universal JOINT) (Bendix or Tracta joints). | ea | 1 |
| G-9 | G503-7734390 | 7734390 | WO-A1728 FM-GPW3207A NP-38488 WO-17355-2X | 10-2 | SHAFT, complete left, assy (Includes inner and outer SHAFTS and universal JOINT) (Rzeppa joint). | ea | 1 |
| G-9 | 3320-GPW3327 | ----- | WO-A8836 | ----- | SHAFT, complete, left, w/NUT and WASHER, assy (Includes SHAFT, assy, NUT WO-636569 and WASHER WO-636570) (Bendix or Tracta joint). | ea | 1 |
| G-9 | 3320-GPW3227 | ----- | FM-GPW3227 | ----- | SHAFT, complete, left, w/NUT and WASHER, assy (Includes SHAFT, assy, FM-GPW3207A, NUT FM-356126S and WASHER FM-356504S) (Rzeppa joint). | ea | 1 |
| G-9 | 8080-17120-3X | ----- | SP-17128-3X | ----- | SHAFT, complete, right, assy (Includes inner and outer SHAFTS and universal JOINT) (Bendix joint). | ea | 1 |

| | | | | | | | |
|-----|---------------|-------|---------------------------------------------------|--------------|------------------------------------------------------------------------------------------------------------------------------------------|----------|--------|
| G-9 | 8080-17120-3X | ----- | WO-A6031 | ----- | SHAFT, complete, right, assy (Includes inner and outer SHAFTS and universal JOINT) (Bendix or Tracta joints). | ea | 1 |
| G-9 | 8080-17120-3X | ----- | WO-A1715 FM-GPW3206A | 10-2 | SHAFT, complete, right, assy (Includes inner and outer SHAFTS and universal JOINT) (Rzeppa joint). | ea | 1 |
| | | ----- | NP-38489 WO-17355-1X | ----- | SHAFT, complete, right, assy (Includes inner and outer SHAFTS and universal JOINT) (Tracta joint). | ea | 1 |
| G-9 | 3320-GPW3226 | ----- | WO-A8837 | ----- | SHAFT, complete, right, w/NUT and WASHER, assy (Includes SHAFT, assy, NUT WO-636569 and WASHER WO-636570) (Bendix or Tracta joints). | ea | 1 |
| G-9 | 3320-GPW3226 | ----- | FM-GPW3226 | ----- | SHAFT, complete, right, w/NUT and WASHER, assy (Includes SHAFT, assy, FM-GPW3206A, NUT FM-356126S and WASHER FM-356504S) (Rzeppa joint). | ea | 1 |
| G-9 | 8080-17122-4 | ----- | WO-A6274 SP-17122-4 WO-A1729 FM-GPW3017A | 10-6 10-6 | SHAFT, inner, left (Bendix joint)----- SHAFT, inner, left (Rzeppa joint)----- | ea ea | 1 1 |
| | | ----- | NP-38491 WO-17360-2 WO-A6383 | 10-6 | SHAFT, inner, left (Tracta joint)----- | ea | 1 |
| G-9 | 8080-17122-3 | ----- | WO-A6275 SP-17122-3 WO-A1727 FM-GPW3016A | 10-6 10-6 | SHAFT, inner, right (Bendix joint)----- SHAFT, inner, right (Rzeppa joint)----- | ea ea | 1 1 |
| | | ----- | NP-38492 WO-17360-1 WO-A6384 | 10-6 | SHAFT, inner, right (Tracta joint)----- | ea | 1 |
| | | ----- | WO-A6272 | 10-6 | SHAFT, outer (Bendix joint)----- | ea | 2 |

| (1) NOTE SYMBOL | (2) STOCK NO. | (3) ORDNANCE PART NO. | (4) MFR'S PART NO. | (5) FIGURE NO | (6) NOMENCLATURE | (7) UNIT OF MEAS- URE | (8) QUAN- TITY PER UNIT ASSEM- BLY |
|---------------------------------------------------------|------------------|-----------------------------|--------------------------------------------------|------------------|-------------------------------------------------------|-----------------------------------|------------------------------------------------------|
| GROUP 10—FRONT AXLE—Continued | | | | | | | |
| 1006—FRONT AXLE SHAFTS AND UNIVERSAL JOINTS—Con. | | | | | | | |
| G-9 | 8080-17229 | ----- | SP-17229 WO-A1718 | 10-6 | SHAFT, outer (Rzeppa joint)----- | ea | 2 |
| | | | NP-38373 WO-17359 WO-A6382 | 10-6 | SHAFT, outer (Tracta joint)----- | ea | 2 |
| G-9 | 8080-17121X | ----- | SP-17121X WO-A1716 FM-GP3200 FM-GP3200A | ----- | SHAFT, outer, w/universal JOINT, assy (Rzeppa joint). | ea | 2 |
| G-9 | 8080-17155-1 | ----- | SP-17155-1 WO-A862 FM-GP3208A | 10-4 | SHIM, adjusting, universal joint: (0.010 thk)----- | ea | ‡ |
| G-9 | 8080-17155-2 | ----- | SP-17155-2 WO-A863 FM-GP3208B | ----- | (0.030 thk)----- | ea | ‡ |
| G-9 | 8080-S953 | ----- | SP-S953 WO-A780 FM-GP3374 | 10-5 | WASHER, thrust, universal joint----- | ea | 2 |



KEY ITEM
 A—HUB, ASSY
 B—PLATE
 C—LINE
 D—TEE
 E—HOUSING, ASSY

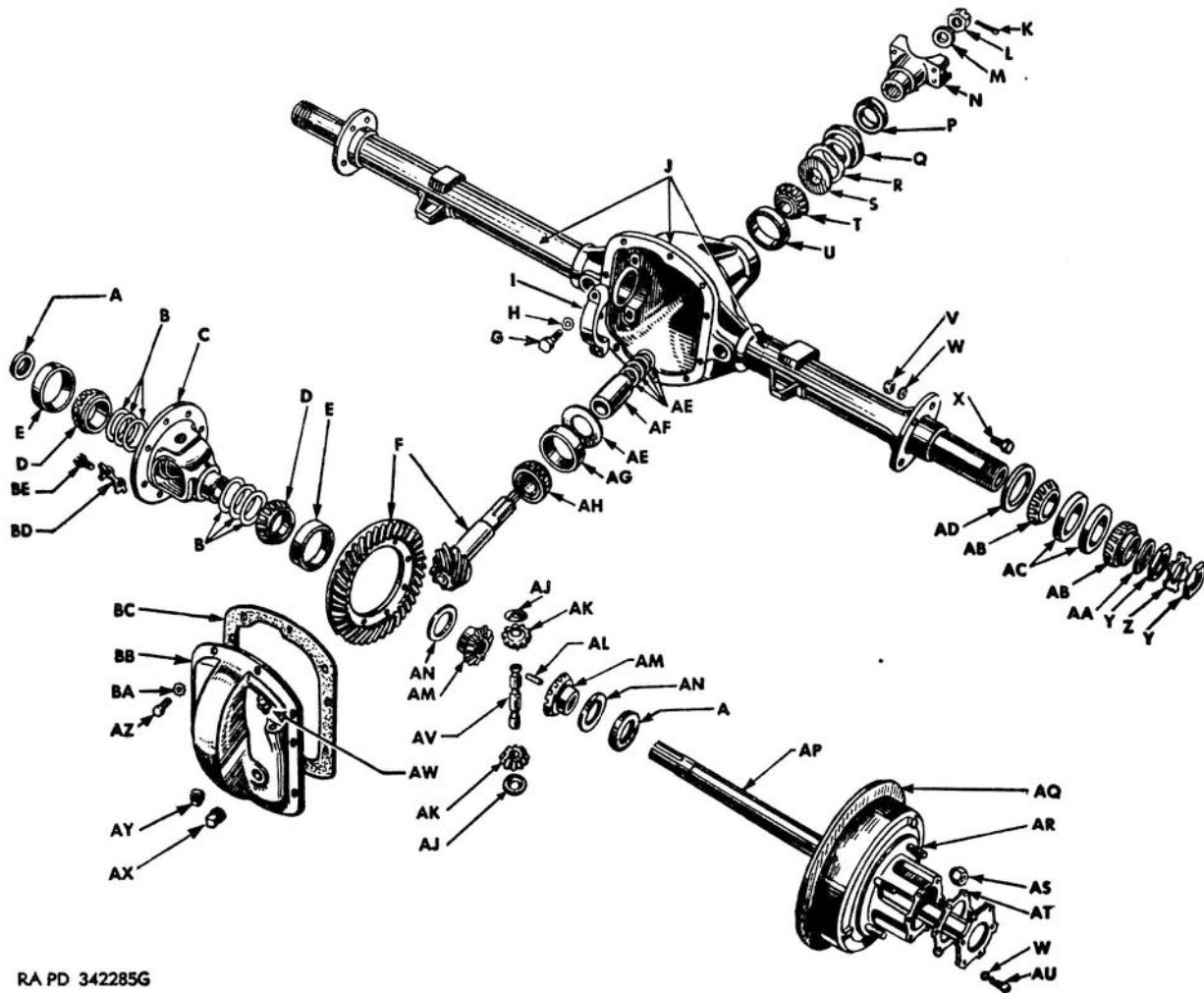
| PART NO. | GROUP |
|-----------|--------|
| KHW-25647 | 1312 |
| BX-47054 | 1202 |
| WO-A5225 | 1204.3 |
| WO-637432 | 1204.3 |
| SP-17226X | 1101 |

KEY ITEM
 F—HUB, ASSY
 G—SHAFT
 H—BOLT
 J—LINE
 K—COVER

| PART NO. | GROUP |
|------------|--------|
| KHW-25646 | 1312 |
| SP-17144-3 | 1104 |
| KHW-24568 | 1311 |
| WO-A5226 | 1204.3 |
| WO-A781 | 1101 |

RA PD 28867G

Figure 11-1. Rear axle assembly.

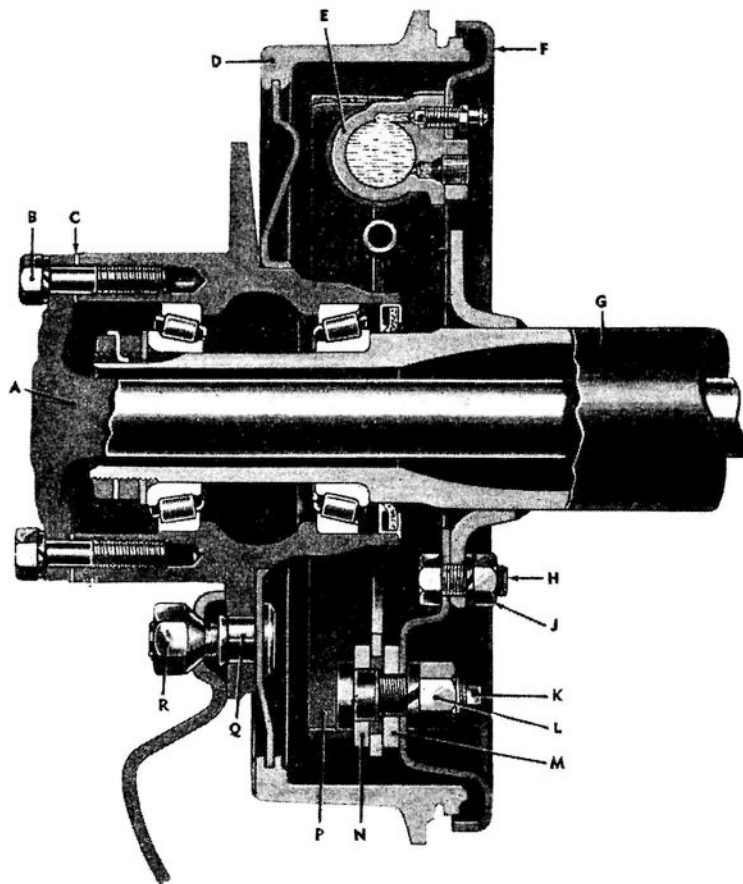


RA PD 342285G

Figure 11-2. Rear axle—exploded view.

| Key Item | Part No. | Group | Key Item | Part No. | Group |
|----------------------|--------------|-------|----------------|-------------|-------|
| A—SEAL..... | 500030 | 1104 | AC—CUP..... | 706836 | 1311 |
| B—SHIM..... | SP-S58 | 1102 | AD—SEAL..... | 500128 | 1311 |
| C—CASE..... | SP-16383 | 1102 | AE—SHIM..... | SP-112 | 1102 |
| D—CONE..... | 705438 | 1102 | AF—SPACER..... | SP-15367 | 1102 |
| E—CUP..... | 706849 | 1102 | AG—CUP..... | 706877 | 1102 |
| F—GEAR SET..... | SP-16412X | 1102 | AH—CONE..... | 705478 | 1102 |
| G—SCREW..... | 213821 | 1102 | AJ—WASHER..... | SP-16322-2 | 1102 |
| H—WASHER..... | 180447 | 1102 | AK—PINION..... | SP-15926 | 1102 |
| I—CAP..... | WO-A764 | 1102 | AL—PIN..... | SP-13449 | 1102 |
| J—HOUSING, ASSY..... | SP-17226X | 1101 | AM—GEAR..... | SP-16385 | 1102 |
| K—PIN..... | 143222 | 0900 | AN—WASHER..... | SP-16323-2 | 1102 |
| L—NUT..... | SP-S1135 | 0900 | AP—SHAFT..... | SP-17144-3 | 1104 |
| M—WASHER..... | SP-S1056 | 0900 | AQ—DRUM..... | KHW-24566 | 1312 |
| N—YOKE, ASSY..... | SP-K2-4-108X | 0900 | AR—BOLT..... | KHW-24568 | 1311 |
| P—SHIELD..... | SP-15099 | 1102 | AS—NUT..... | KHW-24575 | 1311 |
| Q—SEAL..... | 500071 | 1102 | AT—GASKET..... | SP-17146 | 1104 |
| R—GASKET..... | SP-S171 | 1102 | AU—SCREW..... | SP-6-73-124 | 1104 |
| S—SLINGER..... | SP-13575 | 1102 | AV—SHAFT..... | SP-16075 | 1102 |
| T—CONE..... | 705271 | 1102 | AW—PLUG..... | SP-16979 | 1101 |
| U—CUP..... | 707063 | 1102 | AX—PLUG..... | 103869 | 1101 |
| V—NUT..... | 121932 | 1202 | AY—PLUG..... | 113186 | 1101 |
| W—WASHER..... | 120382 | 1202 | AZ—SCREW..... | 180077 | 1101 |
| X—BOLT..... | SP-6-73-513 | 1202 | BA—WASHER..... | 120393 | 1101 |
| Y—NUT..... | SP-17016 | 1311 | BB—COVER..... | WO-A-10231 | 1101 |
| Z—WASHER..... | SP-17017 | 1311 | BC—GASKET..... | SP-16409 | 1101 |
| AA—WASHER..... | SP-17015 | 1311 | BD—STRAP..... | SP-16866 | 1102 |
| AB—CONE..... | 705423 | 1311 | BE—SCREW..... | 120758 | 1102 |

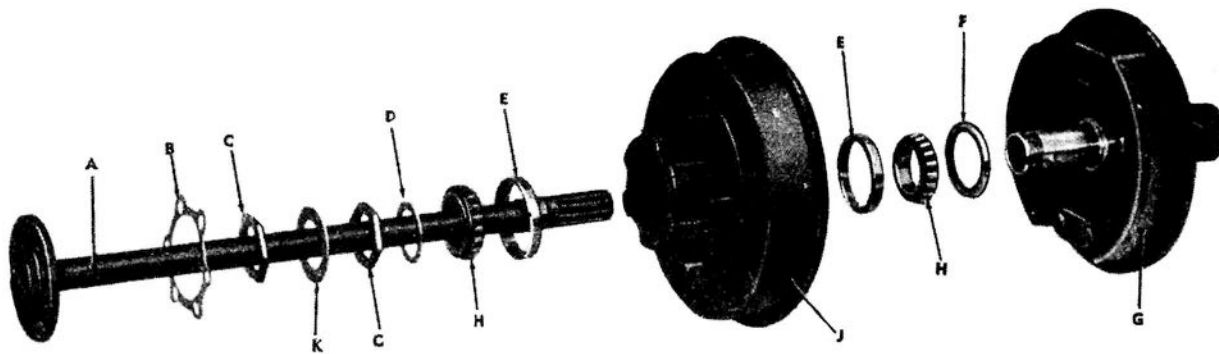
Figure 11-2. Rear axle—exploded view—Continued



| KEY ITEM | PART NO. | GROUP |
|---------------------------------------|----------------------------|----------------|
| A—{SHAFT, LEFT /SHAFT, RIGHT | {SP-17144-4 /SP-17144-3 | {1104 /1104 |
| B—SCREW | SP-6-73-124 | 1104 |
| C—GASKET | SP-17146 | 1104 |
| D—{HUB, ASSY LEFT /HUB, ASSY RIGHT | {KHW-25647 /KHW-25646 | {1312 /1312 |
| E—CYLINDER, ASSY | LO-FD7568 | 1204 2 |
| F—PLATE, ASSY | BX-47054 | 1202 |
| G—HOUSING, ASSY | SP-17226X | 1101 |
| H—BOLT | SP-6-73-513 | 1202 |
| J—NUT | 121932 | 1202 |
| K—PIN | BX-39953 | 1202 |
| L—NUT | 120371 | 1202 |
| M—PLATE | BX-39956 | 1202 |
| N—CAM | BX-41876 | 1202 |
| P—SHOE ASSY | BX-114152 | 1202 |
| Q—{BOLT LH THREAD /BOLT RH THREAD | {KHW-24569 /KHW-24568 | {1311 /1311 |
| R—{NUT LH THREAD /NUT RH THREAD | {KHW-24576 /KHW-24575 | {1311 /1311 |

RA PD 305272G

Figure 11-3. Rear axle—hub assy.



| KEY ITEM | PART NO. | GROUP | KEY ITEM | PART NO. | GROUP |
|----------|------------|-------|---------------|-----------|-------|
| A—SHAFT | SP-17144-4 | 1104 | F—SEAL | 500128 | 1311 |
| B—GASKET | SP-17146 | 1104 | G—BRAKE, ASSY | BX-47050 | 1202 |
| C—NUT | SP-17016 | 1311 | H—CONE | 705423 | 1311 |
| D—WASHER | SP-17015 | 1311 | J—HUB, ASSY | KHW-25647 | 1312 |
| E—CUP | 706836 | 1311 | K—WASHER | SP-17017 | 1311 |

RA PD 329142G

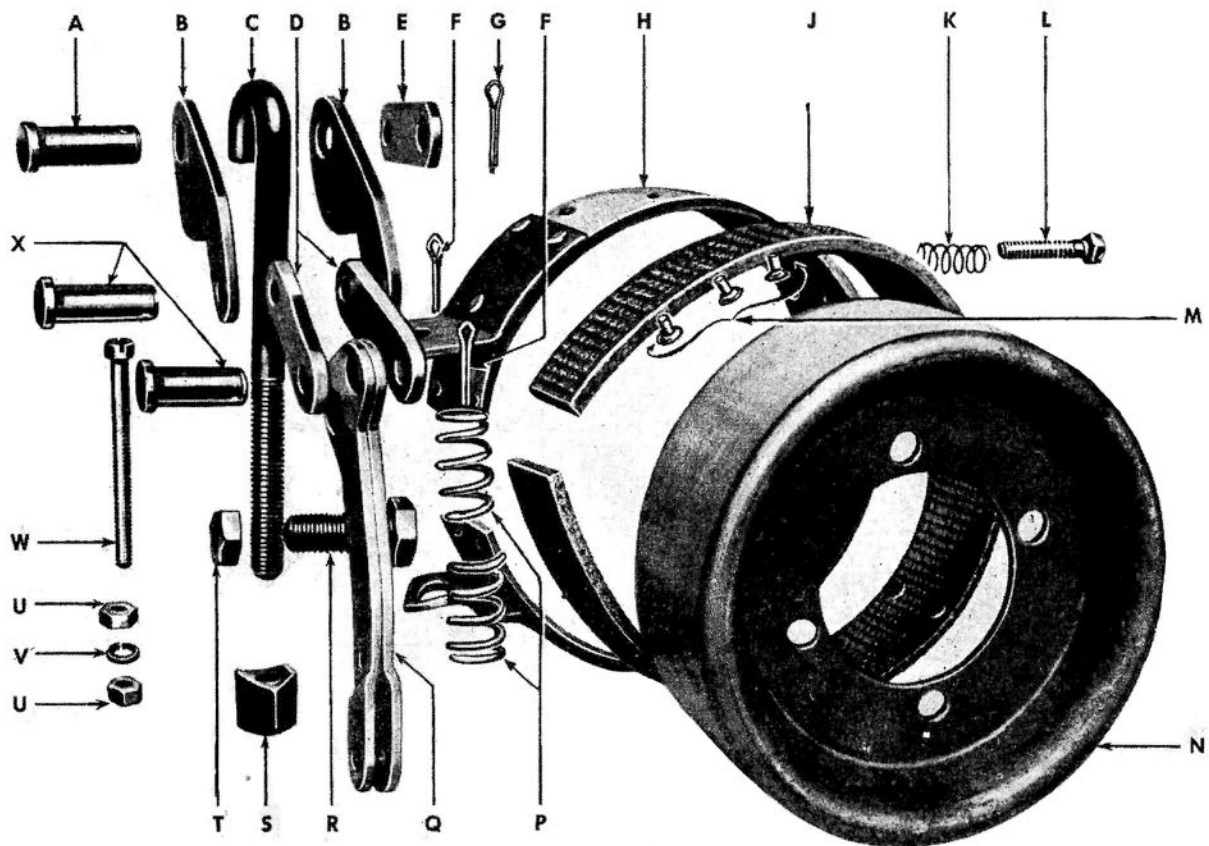
Figure 11-4. Rear axle shaft and brake—exploded view.

| (1) NOTE SYMBOL | (2) STOCK NO. | (3) ORDNANCE PART NO. | (4) MFR'S PART NO. | (5) FIGURE NO. | (6) NOMENCLATURE | (7) UNIT OF MEAS- URE | (8) QUAN- TITY PER UNIT ASSEM- BLY |
|--------------------------------------------------|------------------|-----------------------------|-------------------------------------|-------------------|------------------------------------------------------------------------------------|-----------------------------------|------------------------------------------------------|
| GROUP 11—REAR AXLE | | | | | | | |
| 1100—REAR AXLE ASSEMBLY | | | | | | | |
| G-9 | 8080-2051-1 | ----- | SP-2051-1 WO-A445 | ----- | AXLE, rear, w/BRAKES, DRUMS, and HUBS, assy. | ea | 1 |
| G-9 | G503-7703974 | 7703974 | WO-A5500 | 07-1 | AXLE, rear, w/BRAKES, DRUMS, HUBS, and brake line TUBES, assy. | ea | 1 |
| 1101—REAR AXLE HOUSING, COVERS, AND PLUGS | | | | | | | |
| | | | FM-GP4015 | ----- | COVER, housing (Superseded by COVER WO- A10231). | ea | 1 |
| | | | WO-A781 FM-GP4016 | 11-1 | COVER, housing (Superseded by COVER WO- A10231). | ea | 1 |
| G-9 | 8080-16976 | ----- | SP-16976 WO-A10231 FM-GP4016A | 11-2 | COVER, housing | ea | 1 |
| H-1 | H001-5453141 | 180077 | ----- | 11-2 | SCREW, cap, hex-hd, S, cd or zn-pltd, $\frac{1}{16}$ - 18NC-3 x $\frac{3}{4}$. | ea | 10 |
| H-1 | H001-7043711 | 120393 | ----- | 11-2 | WASHER, plain, SAE std, S, cd or zn-pltd, $\frac{1}{16}$ in. | ea | 10 |
| G-9 | 8080-16409 | ----- | SP-16409 WO-A782 FM-GP4035 | 11-2 | GASKET, housing cover | ea | 1 |
| G-9 | 8080-17226X | ----- | SP-17226X WO-A888 FM-GPW4004 | 11-1, 2, 3 | HOUSING, w/TUBE, assy | ea | 1 |
| G-9 | G134-0340397 | A283318 | SP-16979 WO-A870 FM-GP4022 | 11-2 | PLUG, air vent | ea | 1 |
| H-6 | H006-0283765 | 113186 | ----- | 11-2 | PLUG, pipe, countersunk, MI, $\frac{1}{4}$ in. (drain) | ea | 1 |
| H-6 | H006-0283567 | 103869 | ----- | 11-2 | PLUG, pipe, rd-hd, CI, $\frac{1}{4}$ in. (oil filler) | ea | 1 |
| 1102—REAR AXLE DIFFERENTIAL | | | | | | | |
| | | | WO-A764 FM-GP4224 | 11-2 | CAP, case bearing | ea | 2 |
| H-1 | H101-0213821 | 213821 | ----- | 11-2 | SCREW, cap, hex-hd, S, cd or zn-pltd, $\frac{1}{2}$ - 13NC-2 x $2\frac{1}{4}$. | ea | 4 |
| H-1 | H101-0180447 | 180447 | ----- | 11-2 | WASHER, lock, int-teeth, heavy, S, cd or zn-pltd, $\frac{1}{2}$ in. | ea | 4 |

| (1) NOTE SYMBOL | (2) STOCK NO. | (3) ORDNANCE PART NO. | (4) MFR'S PART NO. | (5) FIGURE NO. | (6) NOMENCLATURE | (7) UNIT OF MEAS- URE | (8) QUAN- TITY PER UNIT ASSEM- BLY |
|----------------------------------------------|------------------|-----------------------------|------------------------------------|-------------------|---------------------------------------------------------------------------------------------------------------------------------------------------|-----------------------------------|------------------------------------------------------|
| GROUP 11—REAR AXLE—Continued | | | | | | | |
| 1102—REAR AXLE DIFFERENTIAL—Continued | | | | | | | |
| G-9 | 8080-16383 | ----- | SP-16383 WO-A793 FM-GP4206 | 10-3 11-2 | CASE, differential..... | ea | 1 |
| H-12 | H012-6146900 | 705438 | TIM-24780 | 10-3 11-2 | CONE, tapered roller bearing, No. TIM-24780 (Includes rollers and cage, type TS, SR, 1.625 bore, 0.9063 width) (case bearing). | ea | 2 |
| H-12 | H012-6160380 | 705478 | TIM-31593 | 11-2 | CONE, tapered roller bearing, No. TIM-31593 (Includes rollers and cage, type TS, SR, 1.375 bore, 1.125 width) (drive pinion inner bearing). | ea | 1 |
| H-12 | H012-6122200 | 705271 | TIM-02872 | 11-2 | CONE, tapered roller bearing, No. TIM-02872 (Includes rollers and cage, type TS, SR, 1.125 bore, 0.875 width) (drive pinion outer bearing). | ea | 1 |
| H-12 | H012-6220960 | 706849 | TIM-24721 | 10-3 11-2 | CUP, tapered roller bearing, No. TIM-24721 (type TS, SR, 3.000 OD, 0.8125 width) (case bearing). | ea | 2 |
| H-12 | H012-6224700 | 706877 | TIM-31520 | 11-2 | CUP, tapered roller bearing, No. TIM-31520 (type TS, SR, 3.000 OD, 0.9375 width) (drive pinion inner bearing). | ea | 1 |
| H-12 | H012-6209700 | 707063 | TIM-02820 | 11-2 | CUP, tapered roller bearing, No. TIM-02820 (type TS, 2.875 OD, 0.6875 width) (drive pinion outer bearing). | ea | 1 |
| | G503-7744948 | 7744948 | SP-16969X FM-GP4207 | ----- | DIFFERENTIAL, assy (Does not include drive GEAR and PINION). | ea | 1 |
| G-9 | 8080-16968X | ----- | SP-16968X WO-A788 FM-GPW4212 | ----- | DIFFERENTIAL, assy (Includes drive GEAR and PINION). | ea | 1 |
| G-9 | 8080-S171 | ----- | SP-S171 WO-636565 FM-GP4661 | 11-2 | GASKET, drive pinion shaft oil seal..... | ea | 1 |
| G-9 | 8080-16385 | ----- | SP-16385 WO-A794 FM-GPW4236 | 10-3 11-2 | GEAR, side (16T., 2.758 OD)..... | ea | 2 |
| G-9 | 8080-16412X | ----- | SP-16412X WO-A789 FM-GPW4209 | 11-2 | GEAR SET, differential drive (Consists of matched ring GEAR and PINION). | ea | 1 |
| H-1 | H001-5421241 | 120758 | ----- | 10-3 11-2 | SCREW, cap, hex-hd, S, cd or zn-pltd, 3/8- 24NF-3 x 3/4. | ea | 8 |

| | | | | | | | |
|------|--------------|--------|-----------------------------------------------|--------------|----------------------------------------------------------------------------------|----------|--------|
| G-9 | 8080-16866 | | SP-16866 WO-A792 FM-GP4281 | 10-3 11-2 | STRAP, locking_----- | ea | 4 |
| G-9 | 8080-13449 | | SP-13449 WO-636360 FM-GP4241 | 11-2 | PIN, locking, pinion shaft_----- | ea | 1 |
| G-9 | 8080-15926 | | SP-15926 WO-A796 FM-GPW4215 | 10-3 11-2 | PINION, differential (10T, 1.14 OD)_----- | ea | 2 |
| H-13 | H013-0500071 | 500071 | | 11-2 | SEAL, oil, type MLS, 1 $\frac{1}{16}$ x 3.165 x 1 $\frac{3}{32}$ (drive pinion). | ea | 1 |
| G-9 | 8080-16075 | | SP-16075 WO-A798 FM-GP4211 | 10-3 11-2 | SHAFT, differential pinions_----- | ea | 1 |
| G-9 | 8080-15099 | | SP-15099 WO-636568 FM-GP4666 | 11-2 | SHIELD, dust, drive pinion_----- | ea | 1 |
| G-9 | 8080-S58 | | SP-S58 WO-A784 FM-GP4229A | 10-3 11-2 | SHIM, case bearing (0.003 thk)_----- | ea | ‡ |
| G-9 | 8080-S59 | | SP-S59 WO-A785 FM-GP4229B | | (0.005 thk)_----- | ea | ‡ |
| G-9 | 8080-S74 | | SP-S74 WO-A786 FM-GP4229C | | (0.010 thk)_----- | ea | ‡ |
| G-9 | 8080-S75 | | FM-GP4229E SP-S75 WO-A787 FM-GP4229D | | (0.015 thk)_----- (0.030 thk)_----- | ea ca | ‡ ‡ |
| G-9 | 8080-S112 | | SP-S112 WO-A800 FM-GP4660A | 11-2 | SHIM, drive pinion inner bearing (0.003 thk)_----- | ea | ‡ |
| G-9 | 8080-S113 | | SP-S113 WO-A801 FM-GP4660B | | (0.005 thk)_----- | ea | ‡ |
| G-9 | 8080-S114 | | SP-S114 WO-A802 FM-GP4660C | | (0.010 thk)_----- | ea | ‡ |
| G-9 | 8080-S638 | | SP-S638 WO-A803 FM-GP4659A | | SHIM, drive pinion outer bearing (0.003 thk)_----- | ea | ‡ |
| G-9 | 8080-S638-1 | | SP-S638-1 WO-A804 FM-GP4659B | | (0.005 thk)_----- | ea | ‡ |

| (1) NOTE SYMBOL | (2) STOCK NO. | (3) ORDNANCE PART NO. | (4) MFR'S PART NO. | (5) FIGURE NO. | (6) NOMENCLATURE | (7) UNIT OF MEAS- URE | (8) QUAN- TITY PER UNIT ASSEM- BLY |
|-----------------------|------------------|-----------------------------|--------------------------------------|-------------------|----------------------------------------------------------------------------------|-----------------------------------|------------------------------------------------------|
| | | | | | GROUP 11—REAR AXLE—Continued | | |
| | | | | | 1102—REAR AXLE DIFFERENTIAL—Continued | | |
| | | | | | SHIM—Continued | | |
| G-9 | 8080-S638-2 | | SP-S638-2 WO-A805 FM-GP4659C | | (0.010 thk) ----- | ea | ‡ |
| G-9 | 8080-S638-3 | | SP-S638-3 WO-A806 FM-GP4659D | | (0.030 thk) ----- | ea | ‡ |
| G-9 | 8080-13575 | | SP-13575 WO-636566 FM-GP4619 | 11-2 | SLINGER, oil, drive pinion bearing ----- | ea | 1 |
| G-9 | 8080-15367 | | SP-15367 WO-A799 FM-GP4668 | 11-2 | SPACER, drive pinion bearings ----- | ea | 1 |
| G-9 | 8080-16323-2 | | SP-16323-2 WO-A795 FM-GP4228 | 10-3 11-2 | WASHER, thrust, side gear ----- | ea | 2 |
| G-9 | 8080-16322-2 | | SP-16322-2 WO-A797 FM-GP4230 | 10-3 11-2 | WASHER, thrust, differential pinion ----- | ea | 2 |
| | | | | | 1104—REAR AXLE SHAFTS AND RELATED PARTS | | |
| G-9 | 8080-17146 | | SP-17146 WO-A904 FM-GP4032 | 11-2, 3, 4 | GASKET, shaft, outer end ----- | ea | 2 |
| | | | SP-17377 WO-A6439 FM-GPW4259 | | GUIDE, shaft ----- | ea | 2 |
| H-13 | H013-0500030 | 500030 | | 11-2 | SEAL, oil, type MW, 1 $\frac{3}{16}$ x 2.000 x $\frac{1}{4}$ (axle shaft inner). | ea | 2 |
| G-9 | G503-0384602 | | SP-17144-4 WO-A902 FM-GPW4235 | 11-3, 4 | SHAFT, left ----- | ea | 1 |
| G-9 | G503-0384601 | | SP-17144-3 WO-A901 FM-GPW4234 | 11-1, 2, 3 | SHAFT, right ----- | ea | 1 |
| G-9 | 8080-6-73-124 | | SP-6-73-124 WO-A760 FM-GPW1110 | 11-2, 3 | SCREW, special, hex-hd, S, $\frac{3}{8}$ -16NC-3 x 1 $\frac{1}{2}$.. | ea | 12 |
| H-1 | H001-7025741 | 120382 | | | WASHER, lock, med, S, cd or zn-pltd, $\frac{3}{4}$ in. .. | ea | 12 |



KEY ITEM

- A—PIN
- B—CAM
- C—BOLT
- D—LINK
- E—LINK
- F—PIN
- G—PIN
- H—BAND, ASSY
- J—LINING
- K—SPRING
- L—BOLT

PART NO.

- SP-232SP
- SP-5B15
- SP-10B18
- WO-A1228
- SP-3Q74
- 103374
- 103384
- SP-5900X
- SP-4B26
- SP-14B6
- SP-887D

KEY ITEM

- M—RIVET
- N—DRUM
- P—SPRING
- Q—CRANK
- R—BOLT
- S—NUT
- T—NUT
- U—NUT
- V—WASHER
- W—SCREW
- X—PIN

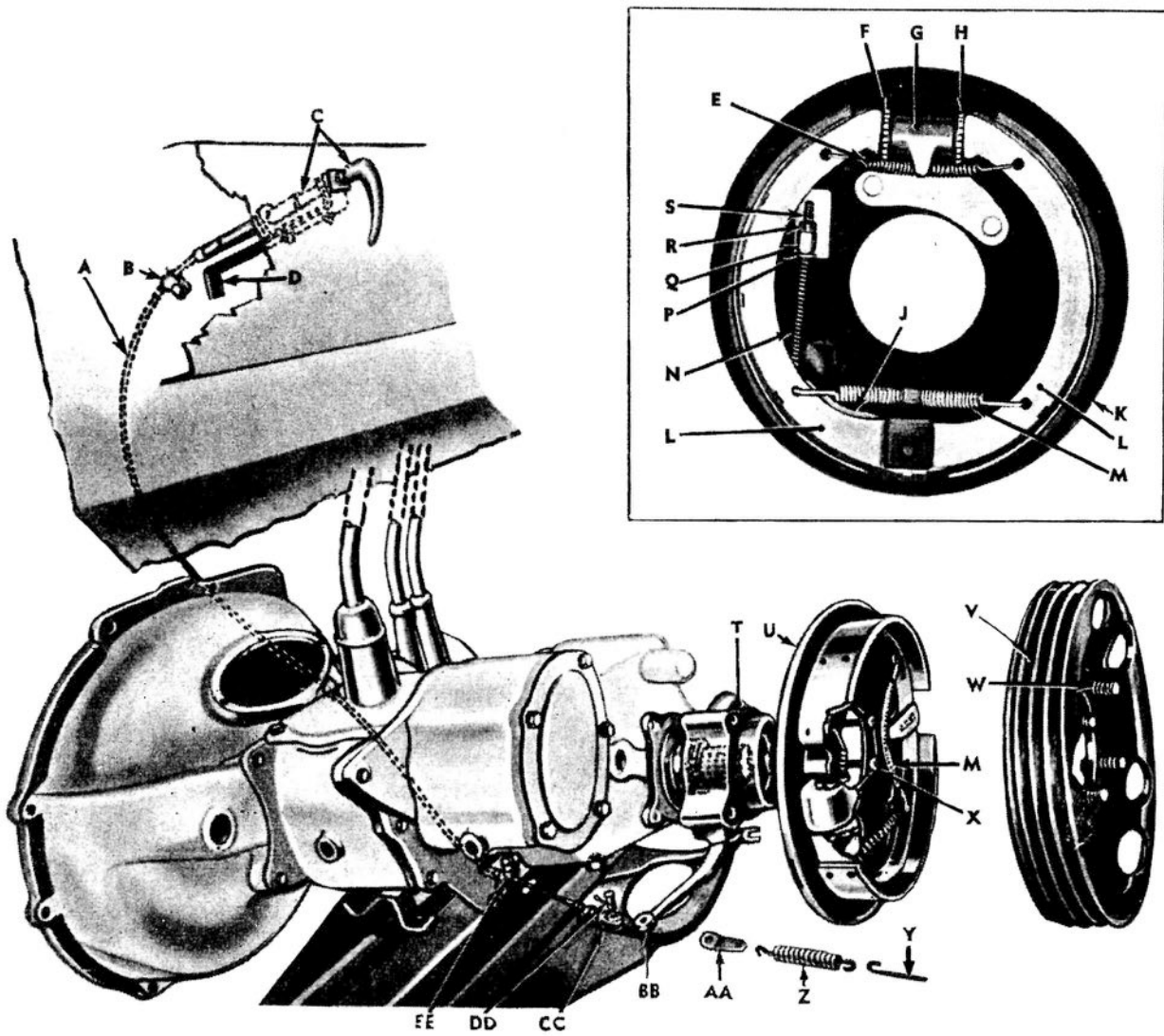
PART NO.

- SP-238R
- SP-20B62
- SP 12B5
- SP-5B16
- WO-A1227
- SP-373J
- 124929
- 120375
- 120380
- SP-856D
- SP-3Q76

ALL PARTS LISTED IN GROUP 1201

RA PD 342258G

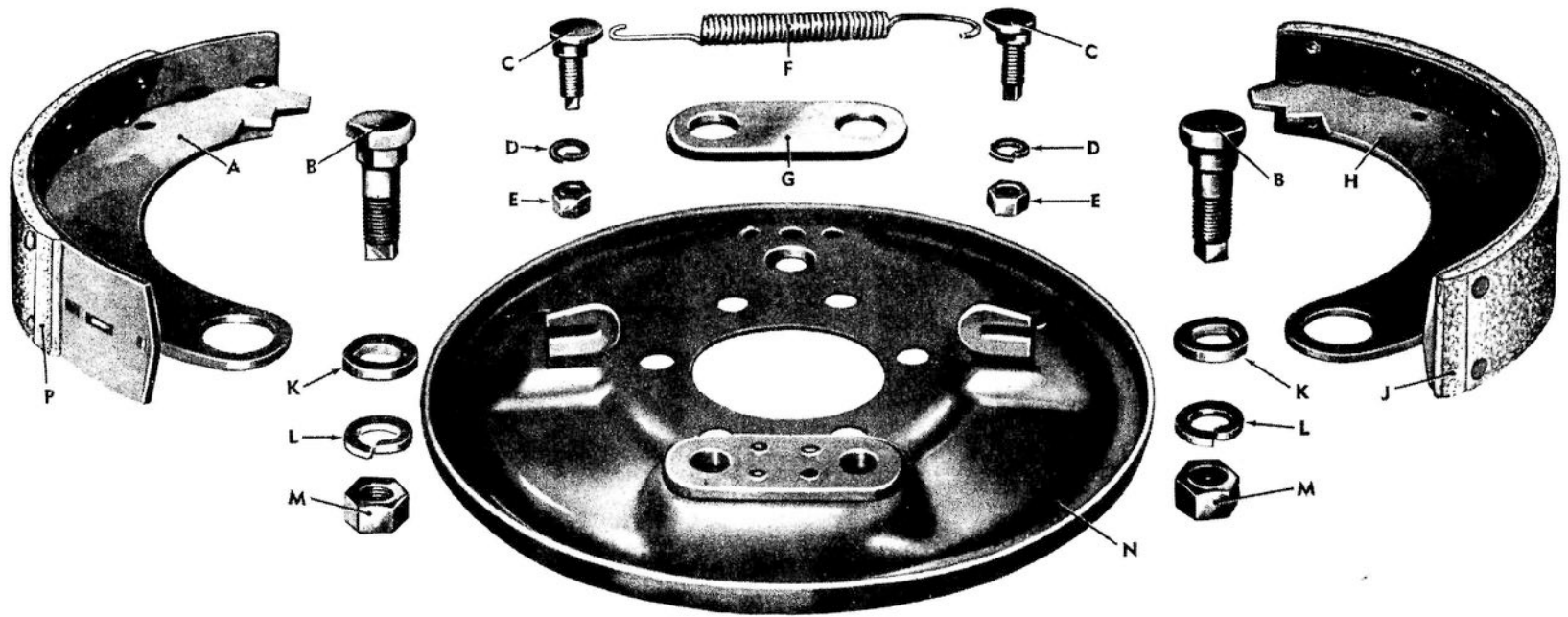
Figure 12-1. Hand brake, external contracting type—exploded view.



| KEY ITEM | PART NO. | GROUP | KEY ITEM | PART NO. | GROUP |
|----------------|-----------|--------|----------------|-------------|--------|
| A—CABLE, ASSY | WO-A15149 | 1201.2 | R—NUT | A304426 | 1201.2 |
| B—CLAMP | WO-A1735 | 1201.2 | S—LINK | A304419 | 1201.2 |
| C—HANDLE, ASSY | WO-A15150 | 1201.2 | T—CAP, ASSY | SP-18-19-28 | 0801 |
| D—BRACKET | WO-639010 | 1201.2 | U—BRAKE, ASSY | D72450 | 1201.2 |
| E—SPRING | A304423 | 1201.2 | V—DRUM | SP-20B73 | 1201.2 |
| F—SCREW | B264302B | 1201.2 | W—BOLT | SP-6-73-122 | 1201.2 |
| G—BRACKET | B264301 | 1201.2 | X—BOLT | WO-A9337 | 0801 |
| H—SCREW | B264302A | 1201.2 | Y—LINK | WO-A8860 | 1201.2 |
| J—LEVER | B264303 | 1201.2 | Z—SPRING | WO-A5335 | 1201.2 |
| K—PLATE, ASSY | C127233 | 1201.2 | AA—CLIP | WO-641921 | 1201.2 |
| L—SHOE, ASSY | C127234 | 1201.2 | BB—LEVER, ASSY | SP-6563X | 1201.2 |
| M—SPRING | A304422 | 1201.2 | CC—CLEVIS | WO-6599 | 1201.2 |
| N—SPRING | A304421 | 1201.2 | DD—PIN | WO-A15137 | 1201.2 |
| P—WASHER | A304427 | 1201.2 | EE—CLAMP | WO-A8847 | 1201.2 |
| Q—NUT | A304420 | 1201.2 | | | |

RA PD 355074

Figure 12-2. Hand brake, internal expanding type.



KEY ITEM
A—SHOE, ASSY
B—PIN
C—ECCENTRIC
D—WASHER
E—NUT
F—SPRING
G—PLATE

PART NO.
 BX-1141S2
 BX-39953
 BX-45771
 120382
 120369
 BX-41545
 BX39956

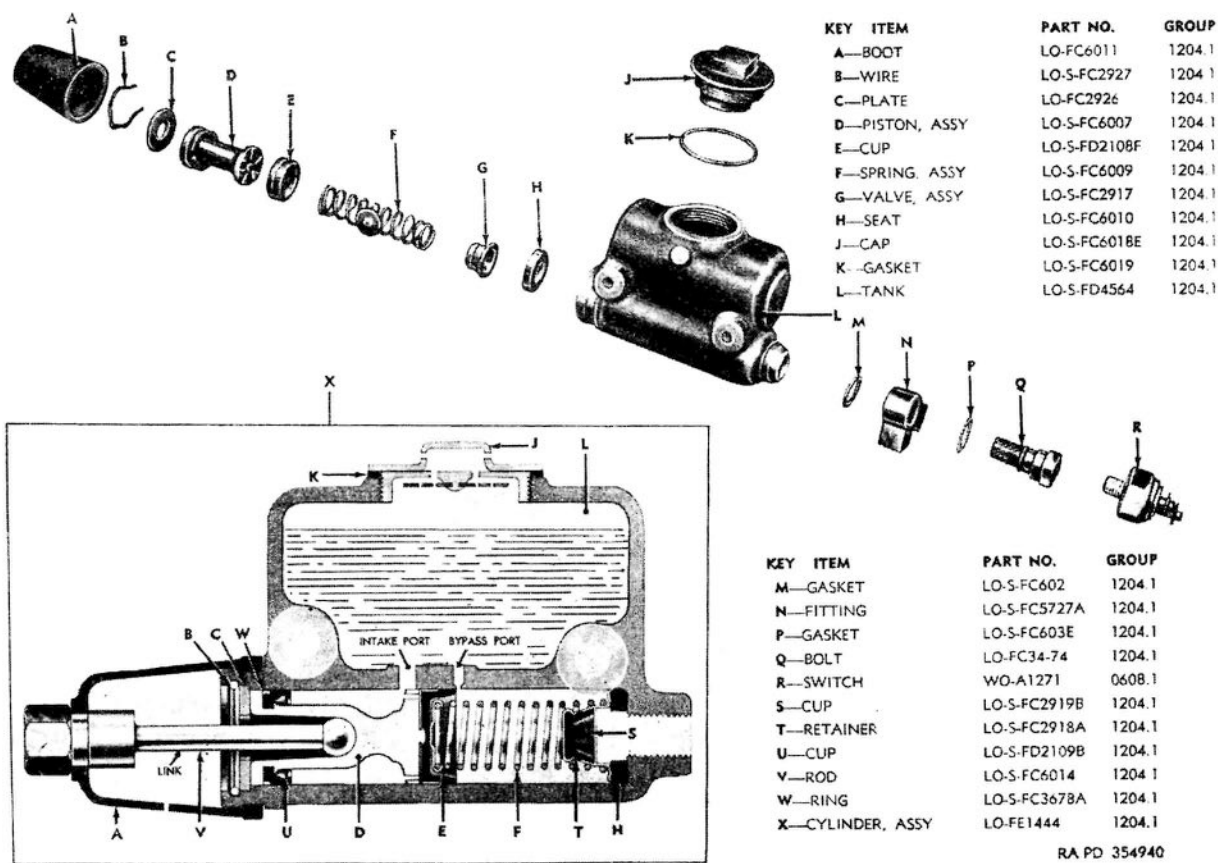
KEY ITEM
H—SHOE, ASSY
J—LINING
K—CAM
L—WASHER
M—NUT
N—PLATE, ASSY
P—LINING

PART NO.
 BX-1141S1
 BX-1067S3
 BX-41876
 120384
 120371
 BX-47054
 BX-1067S4

ALL PARTS LISTED IN GROUP 1202

RA PD 342286G

Figure 12-3. Wheel brake—exploded view.



RA PD 354940

Figure 12-4. Brake master cylinder—exploded view.

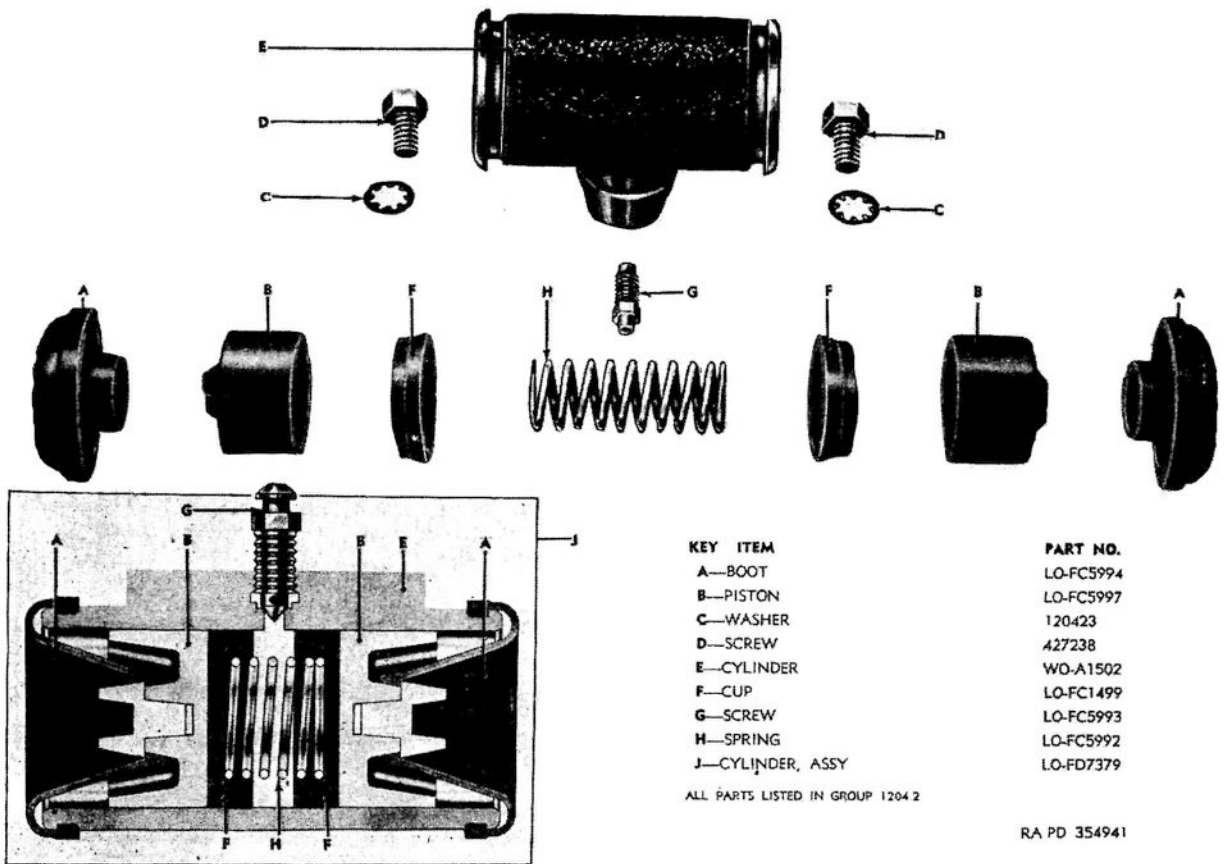


Figure 12-5. Brake wheel cylinder—exploded view.

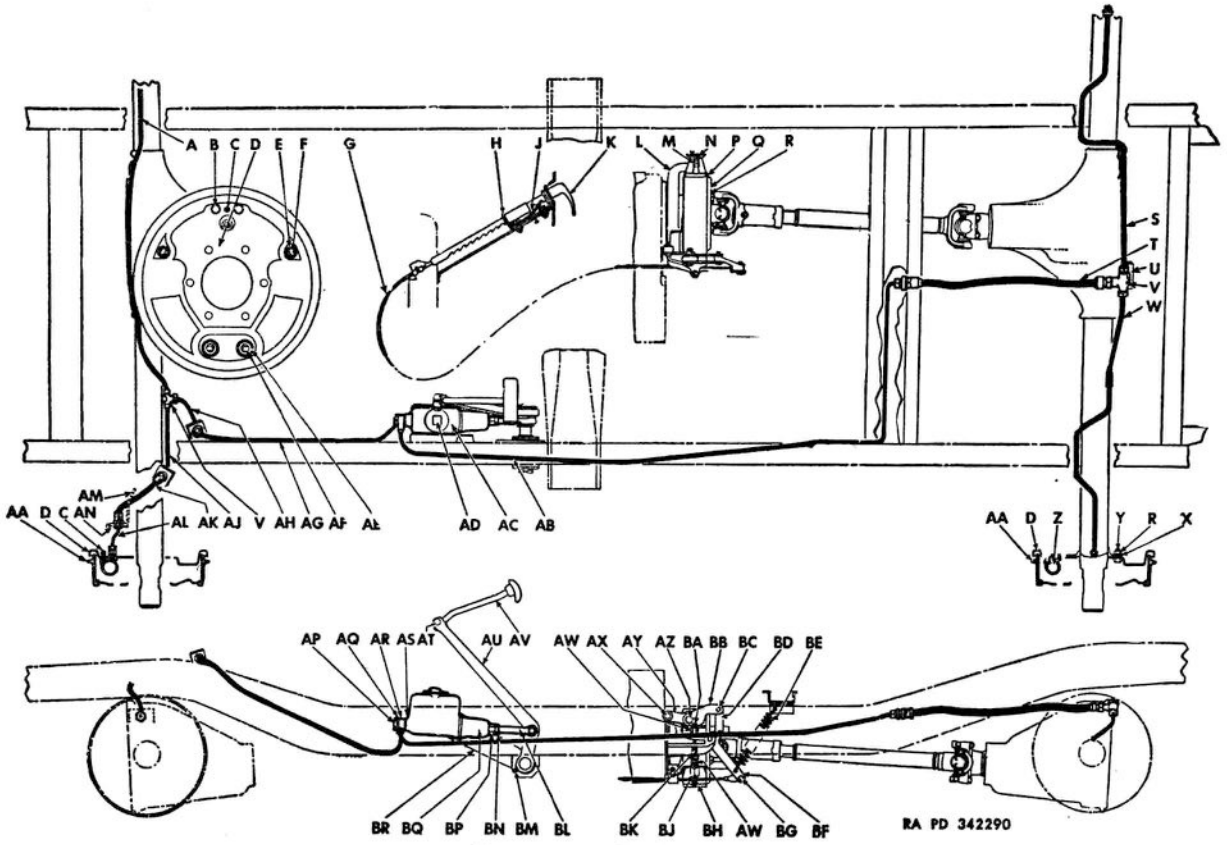


Figure 12-6. Brake system.

RA PD 342290

| Key Item | Part No. | Group | Key Item | Part No. | Group |
|---------------------|--------------|---------|--------------------|--------------|---------|
| A—LINE, ASSY..... | WO-A1376 | 1204. 3 | AJ—LINE, ASSY..... | WO-A1501 | 1204. 3 |
| B—SCREW..... | 427238 | 1204. 2 | AK—LINE, ASSY..... | LO-FC8553 | 1204. 3 |
| C—SCREW..... | LO-FC5993 | 1204. 2 | AL—LINE, ASSY..... | WO-A1488 | 1204. 3 |
| D—PLATE, ASSY..... | BX-47054 | 1202 | AM—GUARD..... | WO-A1457 | 1204. 3 |
| E—NUT..... | 120369 | 1202 | AN—CLIP..... | WO-637427 | 1204. 3 |
| F—ECCENTRIC..... | BX-45771 | 1202 | AP—BOLT..... | LO-FC-34-74 | 1204. 1 |
| G—CABLE, ASSY..... | WO-A1241 | 1201. 1 | AQ—GASKET..... | LO-S-FC603E | 1204. 1 |
| H—BRACKET, ASSY.. | WO-639010 | 1201. 1 | AR—FITTING..... | LO-FC5727A | 1204. 1 |
| J—SPRING..... | WO-635681 | 1201. 1 | AS—GASKET..... | LO-S-FC602 | 1204. 1 |
| K—HANDLE, ASSY... | WO-A1242 | 1201. 1 | AT—SCREW..... | 180081 | 1204. 1 |
| L—CAP..... | SP-6452X | 0801 | AU—PEDAL, ASSY.... | WO-A1386 | 1204. 1 |
| M—SPRING..... | SP-14B6 | 1201. 1 | AV—PAD, ASSY..... | WO-A1359 | 1204. 1 |
| N—BOLT..... | SP-887D | 1201. 1 | AW—SPRING..... | SP-12B5 | 1201. 1 |
| P—BAND, ASSY..... | SP-5900X | 1201. 1 | AX—PIN..... | SP-153SP | 1201. 1 |
| Q—DRUM..... | SP-20B62 | 1201. 1 | AY—LINK..... | SP-3Q74 | 1201. 1 |
| R—NUT..... | 121932 | 1201. 1 | AZ—PIN..... | SP-232SP | 1201. 1 |
| S—LINE, ASSY..... | WO-A5226 | 1204. 3 | BA—SCREW..... | SP-856D | 1201. 1 |
| T—LINE, ASSY..... | LO-FC5784 | 1204. 3 | BB—CAM..... | SP-5B15 | 1201. 1 |
| U—BRACKET..... | WO-A5227 | 1204. 3 | BC—PIN..... | SP-3Q76 | 1201. 1 |
| V—TEE..... | LO-FC5778 | 1204. 3 | BD—LINK..... | WO-A1228 | 1201. 1 |
| W—LINE, ASSY..... | WO-A5225 | 1204. 3 | BE—SPRING..... | WO-A5335 | 1201. 1 |
| X—WASHER..... | 120382 | 1202 | BF—CRANK, ASSY.... | SP-5B16 | 1201. 1 |
| Y—BOLT..... | SP-6-73-513 | 1202 | BG—PIN..... | WO-392468 | 1201. 1 |
| Z—CYLINDER, ASSY.. | LO-FD7568 | 1204. 2 | BH—BOLT..... | SP-10B18 | 1201. 1 |
| AA—DRUM..... | KHW-24566 | 1312 | BJ—NUT..... | SP-373J | 1201. 1 |
| AB—LINE, ASSY..... | WO-A5224 | 1204. 3 | BK—NUT..... | 120375 | 1201. 1 |
| AC—CYLINDER, ASSY.. | LO-FE1444 | 1204. 1 | BL—BOLT..... | WO-A183 | 1204. 1 |
| AD—CAP, ASSY..... | LO-S-FC6018E | 1204. 1 | BM—FITTING..... | 45-F-448-200 | 1204. 1 |
| AE—NUT..... | 120371 | 1202 | BN—NUT..... | 121949 | 1204. 1 |
| AF—PIN..... | BX-39953 | 1202 | BP—ROD..... | LO-S-FC6014 | 1204. 1 |
| AG—LINE, ASSY..... | WO-A1377 | 1204. 3 | BQ—BOOT..... | LO-FC6011 | 1204. 1 |
| AH—LINE, ASSY..... | LO-FC8502 | 1204. 3 | BR—BAR..... | WO-A1354 | 1204. 1 |

Figure 12-6. Brake system—Continued.

| (1) NOTE SYMBOL | (2) STOCK NO. | (3) ORDNANCE PART NO. | (4) MFR'S PART NO. | (5) FIGURE NO. | (6) NOMENCLATURE | (7) UNIT OF MEAS- URE | (8) QUAN- TITY PER UNIT ASSEM- BLY |
|------------------------------------------------------|------------------|-----------------------------|-------------------------------------------------|-------------------|------------------------------------------------------------------------------|-----------------------------------|------------------------------------------------------|
| GROUP 12-BRAKES | | | | | | | |
| 1201.1-HAND BRAKES, EXTERNAL CONTRACTING TYPE | | | | | | | |
| G-9 | 8080-5900X | ----- | SP-5900X WO-A1009 FM-GP2648 | 12-1, 6 | BAND, w/LINING, assy----- | ea | 1 |
| H-1 | H001-4167501 | 120375 | ----- | 12-1, 6 | NUT, hex, light, s-fin, S, cd or zn-pltd, ¼- 20NC-2. | ea | 2 |
| G-9 | G503-7324917 | 7324917 | SP-856D WO-A1019 FM-355352S7 | 12-1, 6 | SCREW, fil-hd, S, cd-pltd, ¼-20NC-2 x 2¾--- | ea | 1 |
| H-1 | H001-7025681 | 120380 | ----- | 12-1 | WASHER, lock, med, S, cd or zn-pltd, ¼ in.--- | ea | 1 |
| G-9 | 8080-10B18 | ----- | SP-10B18 WO-A1016 FM-01T2642 | 12-1, 6 | BELLCRANK (See CRANK, cable) BOLT, adjusting, band (Also known as ROD)--- | ea | 1 |
| G-9 | G503-7702744 | 7702744 | SP-887D WO-A1020 FM-01T2616 FM-GPW2616 | 12-1, 6 | BOLT, adjusting band anchor clip (hex-hd, S, ⅝-18NC-2 x 1½). | ea | 1 |
| G-9 | 3320-GPW2848 | ----- | WO-639010 FM-GPW2848 | 12-6 | BRACKET, ratchet, w/GUIDE and SPRING, assy. | ea | 1 |
| H-1 | H001-4167561 | 120368 | ----- | ----- | NUT, hex, light, s-fin, S, cd or zn-pltd, ⅝- 24NF-2. | ea | 2 |
| H-1 | H001-5419821 | 120741 | ----- | ----- | SCREW, cap, hex-hd, S, cd or zn-pltd, ⅝- 24NF-3 x ¾. | ea | 2 |
| H-1 | H001-7025711 | 120214 | ----- | ----- | WASHER, lock, med, S, cd or zn-pltd, ⅝ in.--- | ea | 2 |
| H-1 | H001-7045561 | 120387 | ----- | ----- | WASHER, plain, US std, S, cd or zn-pltd, ⅝ in. | ea | 2 |
| G-9 | 8080-5815X | ----- | SP-5815X WO-A1008 FM-GPW2598 | 01-2 | BRAKE, hand, external contracting type, assy----- | ea | 1 |
| G-9 | 3320-GPW2853 | ----- | WO-A1241 FM-GPW2853 | 07-1 12-6 | CABLE, w/TUBE, assy----- | ea | 1 |
| G-9 | G503-7324851 | 7324851 | WO-392468 FM-357553S18 | 12-6 | PIN, clevis, S, ¼ x ¾ (cable to crank)----- | ea | 1 |
| H-1 | H001-0811026 | 107761 | ----- | ----- | PIN, cotter, split, S, ⅝ x ¾----- | ea | 1 |

| | | | | | | | |
|-----|--------------|---------|--------------------------------------|-----------------|--------------------------------------------------------------------------------|----|---|
| G-9 | 8080-5B15 | | SP-5B15 WO-A1003 FM-GPW2632 | 12-1, 6 | CAM, operating | ea | 2 |
| | | | WO-A1735 FM-GPW2272 | | CLAMP, cable tube (at air cleaner bracket) | ea | 1 |
| G-9 | G503-7697855 | 7697855 | WO-638780 FM-GPW2279 | | CLAMP, cable tube (at transfer case rear bearing cap). | ea | 1 |
| H-1 | H001-4167561 | 120368 | | | NUT, hex, light s-fin, S, cd or zn-pltd, $\frac{5}{16}$ -24NF-2. | ea | 1 |
| H-1 | H001-5026421 | 213907 | | | SCREW, cap, hex-hd, S, cd or zn-pltd, $\frac{5}{16}$ -24NF-2 x $\frac{7}{8}$. | ea | 2 |
| H-1 | H001-7025711 | 120214 | | | WASHER, lock, med, S, cd or zn-pltd, $\frac{5}{16}$ in. | ea | 2 |
| H-1 | H001-7043711 | 120393 | | | WASHER, plain, SAE std, S, cd or zn-pltd, $\frac{5}{16}$ in. | ea | 1 |
| | | | WO-A5393 FM-GPW2270B | | CLIP, support, cable tube (at flywheel housing) | ea | 1 |
| | | | WO-A1795 FM-GPW2270A | | CLIP, support, cable tube (at rear engine insulator) | ea | 1 |
| H-1 | H001-5025501 | 214001 | | | SCREW, cap, hex-hd, S, cd or zn-pltd, $\frac{1}{4}$ -20NC-2 x $\frac{1}{2}$. | ea | 2 |
| H-1 | H001-7025681 | 120380 | | | WASHER, lock, med, S, cd or zn-pltd, $\frac{1}{4}$ in. | ea | 2 |
| G-9 | 8080-5B16 | | SP-5B16 WO-A1226 FM-GPW2656 | 12-1, 6 | CRANK, cable, assy | ea | 1 |
| G-9 | 3320-355752S | | WO-A1227 FM-355752S | 12-1 | BOLT, shoulder, hex-hd, S, $\frac{3}{16}$ -20NF-2 x $1\frac{1}{2}$. | ea | 1 |
| H-1 | H001-4185641 | 124929 | | 12-1 | NUT, jam, hex, light, s-fin, S, cd or zn-pltd, $\frac{7}{16}$ -20NF-2. | ea | 2 |
| G-9 | 8080-20B62 | | SP-20B62 WO-A1002 FM-GP2614 | 08-2 12-1, 6 | DRUM, hand brake | ea | 1 |
| G-9 | G503-7324918 | 7324918 | SP-6-73-218 WO-A997 FM-355551S | | BOLT, hex-hd, S, $\frac{3}{8}$ -24NF-3 x $1\frac{1}{8}$. | ea | 4 |
| H-1 | H001-4171601 | 121932 | | 12-6 | NUT, hex, light, s-fin, S, cd or zn-pltd, $\frac{3}{8}$ -24NF-3. | ea | 4 |
| H-1 | H001-7025741 | 120382 | | | WASHER, lock, med, S, cd or zn-pltd, $\frac{3}{8}$ in. | ea | 4 |
| G-9 | 3320-GPW2782 | | WO-639244 FM-GPW2782 | 18-2 | HANDLE, cable, assy | ea | 1 |
| H-1 | H101-0145378 | 145378 | | | SCREW, drive, metallic, rd-hd, S, cd or zn-pltd, No. 6 x $\frac{5}{16}$. | ea | 1 |
| G-9 | 3320-GPW2780 | | WO-A1242 FM-GPW2780 | 12-6 | HANDLE, w/CABLE and TUBE, assy | ea | 1 |
| H-1 | H001-4167501 | 120375 | | | NUT, hex, light, s-fin, S, cd or zn-pltd, $\frac{1}{4}$ -20NC-2. | ea | 2 |
| H-1 | H001-5025511 | 216915 | | | SCREW, cap, hex-hd, S, cd or zn-pltd, $\frac{1}{4}$ -20NC-2 x $\frac{3}{8}$. | ea | 2 |

| (1) NOTE SYMBOL | (2) STOCK NO. | (3) ORDNANCE PART NO. | (4) MFR'S PART NO. | (5) FIGURE NO. | (6) NOMENCLATURE | (7) UNIT OF MEAS- URE | (8) QUAN- TITY PER UNIT ASSEM- BLY |
|-----------------------------------------------------------|------------------|-----------------------------|-----------------------|-------------------|--------------------------------------------|-----------------------------------|------------------------------------------------------|
| GROUP 12—BRAKES—Continued | | | | | | | |
| 1201.1—HAND BRAKES, EXTERNAL CONTRACTING TYPE—Con. | | | | | | | |
| HANDLE—Continued | | | | | | | |
| H-1 | H001-7025681 | 120380 | | | WASHER, lock, med, S, cd or zn-pltd, ¼ in. | ea | 2 |
| G-9 | 8080-4B26 | | SP-4B26 | 12-1 | LINING, brake band | ea | 1 |
| | | | WO-A1014 | | | | |
| | | | FM-GP2620 | | | | |
| | | | SP-238R | 12-1 | RIVET, tubular, ck-hd, br. ¼ x ⅙ | ea | 14 |
| | | | WO-A1015 | | | | |
| | | | FM-64647S | | | | |
| G-9 | 3320-GPW2659 | | WO-A1228 | 12-1, 6 | LINK, cable crank to operating cam | ea | 2 |
| | | | FM-GPW2659 | | | | |
| G-9 | G503-7324852 | 7324852 | SP-3Q76 | 12-1, 6 | PIN, clevis, S, ⅙ x 1 | ea | 2 |
| | | | WO-311003 | | | | |
| | | | FM-73904S7 | | | | |
| H-1 | H001-0811040 | 103374 | | 12-1 | PIN, cotter, split, S, ⅜ x 1 | ea | 2 |
| G-9 | 8080-3Q74 | | SP-3Q74 | 12-1, 6 | LINK, operating cam to transfer case | ea | 1 |
| | | | WO¼A1005 | | | | |
| | | | FM-GPW2630 | | | | |
| G-9 | 8080-232SP | | SP-232SP | 12-1, 6 | PIN, clevis, S, ½ x 1⅙ (to operating cam) | ea | 1 |
| | | | WO-A1004 | | | | |
| | | | FM-73928S7 | | | | |
| G-9 | 8080-153SP | | SP-153SP | 12-6 | PIN, clevis, S, ⅜ x ⅞ (to transfer case) | ea | 1 |
| | | | WO-A1006 | | | | |
| | | | FM-73889S7 | | | | |
| H-1 | H001-0811050 | 103384 | | 12-1 | PIN, cotter, split, S, ⅙ x ¼ | ea | 1 |
| H-1 | H001-0811715 | 108636 | | | PIN, cotter, split, S, ⅜ x 1⅙ | ea | 1 |
| G-9 | 8080-373J | | SP-373J | 12-1, 6 | NUT, adjusting, band (special) | ea | 1 |
| | | | WO-A1018 | | | | |
| | | | FM-01T2805 | | | | |
| G-9 | G503-7702743 | 7702743 | SP-14B6 | 12-1, 6 | SPRING, band anchor clip bolt | ea | 1 |
| | | | WO-A1021 | | | | |
| | | | FM-01T2640 | | | | |
| G-9 | 3320-GPW2793 | | WO-635681 | 12-6 | SPRING, cable handle ratchet | ea | 1 |
| | | | FM-GPW2793 | | | | |
| G-9 | G503-7702745 | 7702745 | SP-12B5 | 12-1, 6 | SPRING, release, band | ea | 2 |
| | | | WO-A1017 | | | | |
| | | | FM-01T2634 | | | | |

| | | | | | | | |
|-----|---------------|---------|---------------------------------------|------|----------------------------------------------------------------------------------|----|---|
| G-9 | 3320-GPW2635 | | WO-A5335 FM-GPW2635 | 12-6 | SPRING, retracting, cable end | ea | 1 |
| | | | WO-A2892 FM-GPW2852 | | SUPPORT, ratchet tube bracket | ea | 1 |
| H-1 | H001-0924143 | 102677 | | | RIVET, b-hd, S, $\frac{1}{4}$ x $\frac{1}{16}$ | ea | 2 |
| | | | | | 1201.2—HAND BRAKES, INTERNAL EXPANDING TYPE | | |
| G-9 | 8080-18-24-4 | | SP-18-24-4 WO-A17253 FM-GPW2660 | | BEARING, bushing type, operating lever | ea | 1 |
| G-9 | 0820-47667 | B264301 | BX-47667 WO-A10330 FM-GPW2606 | 12-2 | BRACKET, adjusting screw, assy | ea | 1 |
| | | A304428 | BX-900110 | | SCREW, cap, hex-hd, S, $\frac{3}{8}$ -24NF-3 x $\frac{1}{16}$ | ea | 1 |
| H-1 | H001-7025741 | 120382 | | | WASHER, lock, med, S, cd or zn-pltd, $\frac{3}{8}$ in. | ea | 1 |
| G-9 | 3320-GPW2848 | | WO-639010 FM-GPW2848 | 12-2 | BRACKET, ratchet, w/GUIDE and SPRING, assy. | ea | 1 |
| H-1 | H001-4167561 | 120368 | | | NUT, hex, light, s-fin, S, cd or zn-pltd, $\frac{1}{16}$ -24NF-2. | ea | 2 |
| H-1 | H001-5419821 | 120741 | | | SCREW, cap, hex-hd, S, cd or zn-pltd, $\frac{1}{16}$ -24NF-3 x $\frac{1}{4}$. | ea | 2 |
| H-1 | H001-7025711 | 120214 | | | WASHER, lock, med, S, cd or zn-pltd, $\frac{1}{16}$ in. | ea | 2 |
| H-1 | H001-7045561 | 120387 | | | WASHER, plain, US std., S, cd or zn-pltd, $\frac{1}{16}$ in. | ea | 2 |
| | | D72450 | BX-47660 WO-A9333 FM-GPW2598B | 12-2 | BRAKE, hand, internal expanding type, assy | ea | 1 |
| G-9 | 3320-GPW2853B | | WO-A15149 FM-GPW2853B | 12-2 | CABLE, w/TUBE, assy | ea | 1 |
| G-9 | G503-7324852 | 7324852 | SP-3Q76 WO-311003 FM-73904S7 | | PIN, clevis, S, $\frac{1}{16}$ x 1 | ea | 1 |
| H-1 | H001-0811040 | 103374 | | | PIN, cotter, split, S, $\frac{3}{32}$ x 1 | ea | 1 |
| | | | WO-A1735 FM-GPW2272 | 12-2 | CLAMP, cable tube (at air cleaner bracket) | ea | 1 |
| | | | WO-A8847 FM-GPW2272 | 12-2 | CLAMP, cable tube (at cross member) | ea | 1 |
| H-1 | H001-4167561 | 120368 | | | NUT, hex, light, s-fin, S, cd or zn-pltd, $\frac{1}{16}$ -24NF-2. | ea | 2 |
| H-1 | H001-5026421 | 213907 | | | SCREW, cap, hex-hd, S, cd or zn-pltd, $\frac{1}{16}$ -24NF-2 x $\frac{3}{8}$. | ea | 1 |
| H-1 | H101-0213913 | 213913 | | | SCREW, cap, hex-hd, S, cd or zn-pltd, $\frac{1}{16}$ -24NF-2 x 1 $\frac{1}{4}$. | ea | 1 |
| H-1 | H001-7025711 | 120214 | | | WASHER, lock, med, S, cd or zn-pltd, $\frac{1}{16}$ in. | ea | 2 |
| H-1 | H001-7043711 | 120393 | | | WASHER, plain, SAE std, S, cd or zn-pltd, $\frac{1}{16}$ in. | ea | 1 |

| (1) NOTE SYMBOL | (2) STOCK NO. | (3) ORDNANCE PART NO. | (4) MFR'S PART NO. | (5) FIGURE NO. | (6) NOMENCLATURE | (7) UNIT OF MEAS- URE | (8) QUAN- TITY PER UNIT ASSEM- BLY |
|---------------------------------------------------------|------------------|-----------------------------|------------------------------------------------------------------------|-------------------|------------------------------------------------------------------------------------------------------|-----------------------------------|------------------------------------------------------|
| GROUP 12—BRAKES—Continued | | | | | | | |
| 1201.2—HAND BRAKES, INTERNAL EXPANDING TYPE—Con. | | | | | | | |
| H-1 | H001-1810030 | 104037 | WO-6599 WO-641921 WO-A5393 FM-GPW2270B | 12-2 12-2 | CLEVIS (see YOKE). CLIP, operating lever retracting spring..... CLIP, support, cable tube..... | ea ea | 1 1 |
| H-1 | H001-5025501 | 214001 | | | SCREW, cap, hex-hd, S, cd or zn-pltd, 1/4-20NC-2 x 1/2. | ea | 1 |
| H-1 | H001-7025681 | 120380 | | | WASHER, lock, med, S, cd or zn-pltd, 1/4 in. | ea | 1 |
| G-9 | 3320-GPW2614 | | SP-20B73 WO-A9332 FM-GPW2614 | 12-2 | DRUM, hand brake..... | ea | 1 |
| G-9 | 8080-6-73-122 | | SP-6-73-122 WO-A6084 FM-350311S | 12-2 | BOLT, hex-hd, S, 3/8-24NF-3 x 1 1/8..... | ea | 4 |
| H-1 | H001-4171601 | 121932 | | | NUT, hex, light, s-fin, S, cd or zn-pltd, 3/8-24NF-3. | ea | 4 |
| H-1 | H001-7025741 | 120382 | | | WASHER, lock, med, S, cd or zn-pltd, 3/8 in. | ea | 4 |
| G-9 | 3320-GPW2784 | | SP-18-223-6 WO-A10052 FM-GPW2784 | | GASKET, backing plate to transfer bearing cap..... | ea | 1 |
| G-9 | 3320-GPW2782 | | WO-639244 FM-GPW2782 | | HANDLE, cable..... | ea | 1 |
| H-1 | H101-0145378 | 145378 | | | SCREW, drive, metallic, rd-hd, S, cd or zn-pltd, No. 6 x 3/16. | ea | 1 |
| G-9 | 3320-GPW2774 | | WO-A15150 FM-GPW2774 | 12-2 | HANDLE, cable, w/ratchet TUBE, assy..... | ea | 1 |
| G-9 | 0820-47670 | B264303 | BX-47670 WO-A10333 FM-GPW2632B | 12-2 | LEVER, cam..... | ea | 1 |
| G-9 | 8080-6563X | | SP-6563X WO-A17254 FM-GPW2653 SP-58J WO-A5781 FM-33979S | 12-2 | LEVER, operating, w/BUSHING, assy..... NUT, castle, 3/8-24NF-3..... | ea ea | 1 1 |

| | | | | | | | | |
|-----|---------------|----------|---------------------------------------------------------------|------|--|------------------------------------------------------------------------------------------------------------------------|----|----|
| G-9 | 3320-352690S7 | | SP-223V WO-A9339 FM-352690S7 | | | STUD, S, cd-pltd, $\frac{3}{8}$ -24NF-3 (threaded one end). | ea | 1 |
| G-9 | 3320-356403S | | SP-14W WO-A9338 FM-356403S | | | WASHER, plain, 0.390 ID x $\frac{3}{4}$ OD x 0.062 thk | ea | 1 |
| | | C127238 | BX-47665 WO-A10329 FM-GPW2620B | | | LINING, brake show | ea | 2 |
| | | A304430 | BX-70S25 WO-640102 FM-351915S | | | RIVET, tubular, special, $\frac{3}{4}$ x $\frac{3}{32}$ | ea | 16 |
| G-9 | 0820-47674 | A304419 | BX-47674 WO-A10334 FM-GPW2642 WO-A8860 FM-GPW2592 | 12-2 | | LINK, operating lever | ea | 1 |
| | | | | 12-2 | | LINK, retracting spring | ea | 1 |
| G-9 | 0820-47675 | A304420 | BX-47675 WO-A10335 FM-GPW2805 | 12-2 | | NUT, adjusting, operating lever (special, hex, S, No. 12-28NF-2). | ea | 1 |
| | | A304426 | BX-901835K6 WO-53379 FM-355872S | 12-2 | | NUT, jam, hex, S, No. 12-28NF-2 | ea | 1 |
| G-9 | 3320-73869S | | WO-A15137 FM-73869S | 12-2 | | PIN, clevis, cable end ($\frac{3}{16}$ x $1\frac{1}{16}$) | ea | 1 |
| G-9 | 0820-47656 | C127233 | BX-47656 WO-A10320 FM-GPW2621 | 12-2 | | PLATE, backing, w/anchor PIN, assy | ea | 1 |
| G-9 | 0820-47668 | B264302B | BX-47668 WO-A10331 FM-GPW2616B | 12-2 | | SCREW, adjusting, LH thread | ea | 1 |
| G-9 | 0820-47669 | B264302A | BX-47669 WO-A10332 FM-GPW2615 | 12-2 | | SCREW, adjusting, RH thread | ea | 1 |
| | | C127235 | BX-47662 | | | SHOE, welded, assy | ea | 2 |
| G-9 | 0820-47661 | C127234 | BX-47661 WO-A10324 FM-GPW2648 WO-A8848 FM-GPW2591 | 12-2 | | SHOE, w/LINING, assy | ea | 2 |
| | | | WO-635681 | | | SPACER, conduit clamp (S, $\frac{2}{16}$ ID x $1\frac{1}{16}$ OD x $\frac{1}{2}$ thk). | ea | 1 |
| G-9 | 3320-GPW2793 | | FM-GPW2793 | | | SPRING, ratchet tube | ea | 1 |
| G-9 | 0820-47676 | A304421 | BX-47676 WO-A10336 FM-GPW2640 | 12-2 | | SPRING, retaining, cam lever (compression, 0.0507 wire diam, 29 coils, $1\frac{1}{2}$ OD, 2 $\frac{25}{32}$ free lgh). | ea | 1 |
| | | A304427 | BX-901138K6 WO-53538 | 12-2 | | WASHER, spring seat | ea | 2 |

| (1) NOTE SYMBOL | (2) STOCK NO. | (3) ORDNANCE PART NO. | (4) MFR'S PART NO. | (5) FIGURE NO. | (6) NOMENCLATURE | (7) UNIT OF MEAS- URE | (8) QUAN- TITY PER UNIT ASSEM- BLY |
|---------------------------------------------------------|------------------|-----------------------------|-------------------------------------|-------------------|-------------------------------------------------------------------------------------------------------------------------|-----------------------------------|------------------------------------------------------|
| GROUP 12—BRAKES—Continued | | | | | | | |
| 1201.2—HAND BREAKS, INTERNAL EXPANDING TYPE—Con. | | | | | | | |
| G-9 | 3320-GPW2635 | ----- | WO-A5335 FM-GPW2635 | 12-2 | SPRING, retracting, cable end..... | ea | 1 |
| G-9 | 0820-47677 | A304422 | BX-47677 WO-A10337 FM-GPW2634 | 12-2 | SPRING, retracting, shoe (tension, S, 0.076 wire diam, 35 coils, 2 $\frac{3}{4}$ OD, 4 $\frac{1}{8}$ overall lgh). | ea | 1 |
| G-9 | 0820-47678 | A304423 | BX-47678 WO-A10338 FM-GPW2633 | 12-2 | SPRING, retracting, shoe, adjusting end (tension, S, 0.080 wire diam, 29 coils, $\frac{3}{8}$ OD, 4 overall lgh). | ea | 1 |
| H-1 | H001-1810030 | 104037 | WO-6599 FM-97012S | ----- | YOKE, rod end, adjustable, light, S, $\frac{5}{16}$ -24NF-2 (cable end). | ea | 1 |
| H-1 | H001-4167561 | 120368 | ----- | ----- | NUT, hex, light, s-fin, S, cd or zn-pltd, $\frac{5}{16}$ - 24NF-2. | ea | 1 |
| 1202—SERVICE BRAKE ASSEMBLY | | | | | | | |
| G-9 | 0820-47047 | ----- | WO-A1496 | ----- | BRAKE, front, left, assy (not preadjusted)..... | ea | 1 |
| G-9 | 0820-47047 | ----- | BX-47047 FM-GPW2011 | 10-1 | BRAKE, front, left, assy (preadjusted)..... | ea | 1 |
| G-9 | 0820-47048 | ----- | WO-A1497 | ----- | BRAKE, front, right, assy (not preadjusted)..... | ea | 1 |
| G-9 | 0820-47048 | ----- | BX-47048 FM-GPW2010 | ----- | BRAKE, front, right, assy (preadjusted)..... | ea | 1 |
| G-9 | 0820-47050 | ----- | WO-6108 | ----- | BRAKE, rear, left, assy (not preadjusted)..... | ea | 1 |
| G-9 | 0820-47050 | ----- | BX-47050 FM-GPW2211B | 11-4 | BRAKE, rear, left, assy (preadjusted)..... | ea | 1 |
| G-9 | G503-7520047 | 7520047 | WO-A6109 | ----- | BRAKE, rear, right, assy (not preadjusted)..... | ea | 1 |
| G-9 | G503-7520047 | 7520047 | BX-47051 FM-GPW2210B | ----- | BRAKE, rear, right, assy (preadjusted)..... | ea | 1 |
| G-9 | 0820-41876 | ----- | BX-41876 WO-637900 FM-GP2028 | 11-3 12-3 | CAM, shoe anchor pin..... | ea | 8 |
| G-9 | 0820-45771 | ----- | BX-45771 WO-A754 FM-GP2038 | 12-3, 6 | ECCENTRIC, adjusting, shoe..... | ea | 8 |
| H-1 | H001-4167601 | 120369 | ----- | 12-3, 6 | NUT, hex, light, s-fin, S, cd or zn-pltd, $\frac{3}{8}$ - 24NF-2. | ea | 8 |
| H-1 | H001-7025741 | 120382 | ----- | 12-3, 6 | WASHER, lock, med, S, cd or zn-pltd, $\frac{3}{8}$ in.. | ea | 8 |

| | | | | | | | |
|-----|---------------|---------|--------------------------------------|----------------------------|------------------------------------------------------------------------------------------------------|----|----|
| | | | BX-1067S3 WO-116551 FM-GP2021 | 12-3 | LINING, front shoe..... | ea | 4 |
| | | | BX-1067S4 WO-116552 FM-GP2022 | 12-3 | LINING, rear shoe..... | ea | 4 |
| | | 7001411 | BX-129S6 WO-374586 FM-351915S | | RIVET, tubular, br, $\frac{3}{32}$ x $\frac{1}{16}$ | ea | 80 |
| G-9 | G085-2319320 | | BX-39953 WO-637899 FM-91A2027 | 10-4 11-3 12-3, 6 | PIN, anchor, shoe..... | ea | 8 |
| H-1 | H001-4167681 | 120371 | | 11-3 12-3, 6 | NUT, hex, light, s-fin, S, cd or zn-pltd, $\frac{1}{2}$ - 20NF-2. | ea | 8 |
| H-1 | H001-7025801 | 120384 | | 12-3 | WASHER, lock, med, S, cd or zn-pltd, $\frac{1}{2}$ in. | ea | 8 |
| G-9 | 9680-A450 | | WO-A450- | | PLATE, backing, front and rear brake, assy (Superseded by PLATE BX-A47054. | ea | 4 |
| G-9 | 0820-47054 | | BX-47054 WO-A8898 FM-GP2013 | 10-4 11-1, 3 12-3, 6 | PLATE, backing, front and rear brake, assy..... | ea | 4 |
| G-9 | 8080-6-73-513 | | SP-6-73-513 WO-A903 FM-355578S | 11-2, 3 12-6 | BOLT, special, hex-hd, S, $\frac{3}{8}$ -24NF x $\frac{13}{16}$ (rear wheel plate). | ea | 12 |
| H-1 | H001-4171601 | 121932 | | 11-2, 3 | NUT, hex, light, s-fin, S, cd or zn-pltd, $\frac{3}{8}$ - 24NF-3. | ea | 24 |
| H-1 | H001-5421221 | 123526 | | | SCREW, cap, hex-hd, S, cd or zn-pltd, $\frac{3}{8}$ - 24NF-3 x $\frac{3}{4}$ (front wheel plate). | ea | 12 |
| H-1 | H001-7025741 | 120382 | | 11-2 12-6 | WASHER, lock, med, S, cd or zn-pltd, $\frac{3}{8}$ in. | ea | 24 |
| G-9 | G085-2320185 | | BX-39956 WO-637901 FM-91A2030 | 11-3 12-3 | PLATE, shoe anchor pin..... | ea | 4 |
| G-9 | G503-0125800 | | BX-1141S1 WO-116549 FM-GP2018 | 10-4 12-3 | SHOE, front, w/LINING, assy..... | ea | 4 |
| G-9 | G503-0125801 | | BX-1141S2 WO-116550 FM-GP2019 | 11-3 12-3 | SHOE, rear, w/LINING, assy..... | ea | 4 |
| G-9 | G503-0389782 | | BX-41545 WO-637905 FM-GP2035 | 12-3 | SPRING, retracting, shoe..... | ea | 4 |

| (1) NOTE SYMBOL | (2) STOCK NO. | (3) ORDNANCE PART NO. | (4) MFR'S PART NO. | (5) FIGURE NO. | (6) NOMENCLATURE | (7) UNIT OF MEAS- URE | (8) QUAN- TITY PER UNIT ASSEM- BLY |
|------------------------------------------------------------------|------------------------------|-----------------------------|----------------------------------------------------|-------------------|------------------------------------------------------------------------------------|-----------------------------------|------------------------------------------------------|
| GROUP 12—BRAKES—Continued | | | | | | | |
| 1204.1—BRAKE MASTER CYLINDER, PEDAL AND CON- NECTIONS | | | | | | | |
| | G503-7744326 | 7744326 | WO-A1354 FM-GPW2138 | 12-6 | BAR, tie, master cylinder----- | ea | 1 |
| H-1 | H001-4167561 | 120368 | ----- | ----- | NUT, hex, light, s-fin, S, cd or zn-pltd, $\frac{1}{16}$ - 24NF-2. | ea | 1 |
| H-1 | H101-0100020 | 100020 | WO-52836 FM-355444S | ----- | SCREW, cap, hex-hd, S, $\frac{1}{16}$ -24NF-3----- | ea | 1 |
| H-1 | H001-5453141 | 180077 | ----- | ----- | SCREW, cap, hex-hd, S, cd or zn-pltd, $\frac{1}{16}$ - 18NC-3 x $\frac{3}{4}$. | ea | 1 |
| H-1 | H001-7025711 G503-7744325 | 120214 7744325 | WO-A183 FM-GPW2462 | 12-6 | WASHER, lock, med, S, cd or zn-pltd, $\frac{1}{16}$ in. | ea | 2 |
| H-1 | H001-4171641 | 121949 | FM-33802S7 | 12-6 | BOLT, eye, pedal to master cylinder ($\frac{1}{16}$ -20NF)--- | ea | 1 |
| H-1 | H001-0811039 | 103373 | ----- | ----- | NUT, hex, light, s-fin, S, cd or zn-pltd, $\frac{1}{16}$ - 20NF-3. | ea | 1 |
| G-9 | G503-7324834 | 7324834 | WO-52835 FM-356394S2 | ----- | PIN, cotter, split, S, $\frac{3}{32}$ x $\frac{3}{4}$ ----- | ea | 1 |
| G-9 | G057-0124276 | ----- | LO-FC-34-74 WO-637605 FM-GP2077 FM-GP2180 | 12-4, 6 | WASHER, plain, special, $\frac{1}{16}$ in----- | ea | 1 |
| G-9 | 9240-FC6011 | ----- | LO-FC6011 WO-637602 FM-GP2180A | 12-4, 6 | BOLT, master cylinder outlet fitting----- | ea | 1 |
| G-9 | G134-0340460 | ----- | LO-S-FC6018E WO-637608 FM-GP2162 | 12-4, 6 | BCCT, master cylinder (Superseded by BOOT LO-FC6011). | ea | 1 |
| | | | LO-S-FC2919B WO-637586 FM-GP2183 | 12-4 | BOOT, master cylinder----- | ea | 1 |
| | | | LO-S-FD2108F WO-637590 FM-GP2173 | 12-4 | CAP, filler, master cylinder, assy (Also known as PLUG). | ea | 1 |
| | | | | | CUP, master cylinder check valve (rubber)----- | ea | 1 |
| | | | | | CUP, master cylinder piston, primary (rubber)--- | ea | 1 |

| | | | | | | | |
|-----|--------------|-----------------|----------------------------------------|--------------|-------------------------------------------------------------------------------------------------------------------------------------|----|---|
| | | | LO-S-FD2109B WO-637595 FM-GP2170 | 12-4 | CUP, master cylinder piston, secondary (rubber) | ea | 1 |
| G-9 | 9240-FC3678 | | LO-S-FC3678A WO-637596 | 12-4 | RING, retaining (br) | ea | 1 |
| G-9 | G503-0145853 | | LO-FE1444 WO-A556 FM-GP2140 | 12-4, 6 | CYLINDER, master (See TANK, supply). CYLINDER, master, assy | ea | 1 |
| H-1 | H001-5419461 | 122089 | | | SCREW, cap, hex-hd, S, cd or zn-pltd, $\frac{5}{16}$ - 18NC-3 x 3. | ea | 1 |
| H-1 | H001-7025711 | 120214 | | | WASHER, lock, med, S, cd or zn-pltd, $\frac{5}{16}$ in. | ea | 1 |
| H-1 | H001-7043711 | 120393 | | | WASHER, plain, SAE std, S, cd or zn-pltd, $\frac{5}{16}$ in. | ea | 1 |
| K-3 | 45F-448-200 | 45F-448- 200 | | 12-6 | FITTING, lubricating, hydraulic type, stght, $\frac{1}{8}$ -27NPT, male, length over-all $1\frac{1}{16}$ (brake pedal shaft). | ea | 1 |
| G-9 | 9240-FC5727 | | LO-FC5727A WO-A557 FM-GP2076 | 12-4, 6 | FITTING, outlet, master cylinder | ea | 1 |
| G-9 | G503-5276834 | A276834 | LO-FC6019 WO-637612 FM-GP2167 | 12-4 | GASKET, master cylinder filler cap | ea | 1 |
| G-9 | G508-5214539 | A214539 | LO-FC602 WO-637604 FM-91A2152 | 12-4, 6 | GASKET, master cylinder outlet fitting | ea | 1 |
| G-9 | G508-5160323 | A160323 | LO-FC603E WO-637606 FM-91A2151 | 12-4, 6 | GASKET, master cylinder outler fitting bolt | ea | 1 |
| | G503-7697873 | 7697873 | WO-A641 FM-GPW2476A | | GROMMET, pedal shaft | ea | 1 |
| | G503-7744493 | 7744493 | WO-A1359 FM-GPW2454 | 12-6 | PAD, brake pedal assy (Superseded by PAD WO-A8477). | ea | 1 |
| | G503-7744493 | 7744493 | WO-A8477 FM-GPW2454A | | PAD, brake pedal, assy | ea | 1 |
| H-1 | H001-5453221 | 180081 | | 12-6 | SCREW, cap, hex-hd, S, cd or zn-pltd, $\frac{5}{16}$ -18NC-3 x $1\frac{1}{4}$. | ea | 1 |
| H-1 | H001-7025711 | 120214 | | | WASHER, lock, med, S, cd or zn-pltd, $\frac{5}{16}$ in. | ea | 1 |
| G-9 | G503-7698205 | 7698205 | WO-A1386 FM-GPW2452A | 12-6 | PEDAL, assy (Superseded by PEDAL WO-A8253) | ea | 1 |
| G-9 | G503-7698205 | 7698205 | WO-A8253 FM-GPW2452B | 02-3 18-2 | PEDAL, assy | ea | 1 |
| G-9 | 9240-FC6007 | | LO-FC6007 WO-637591 FM-GP2169 | 12-4 | PISTON, master cylinder, assy (Includes secondary CUP and RETAINER). | ea | 1 |

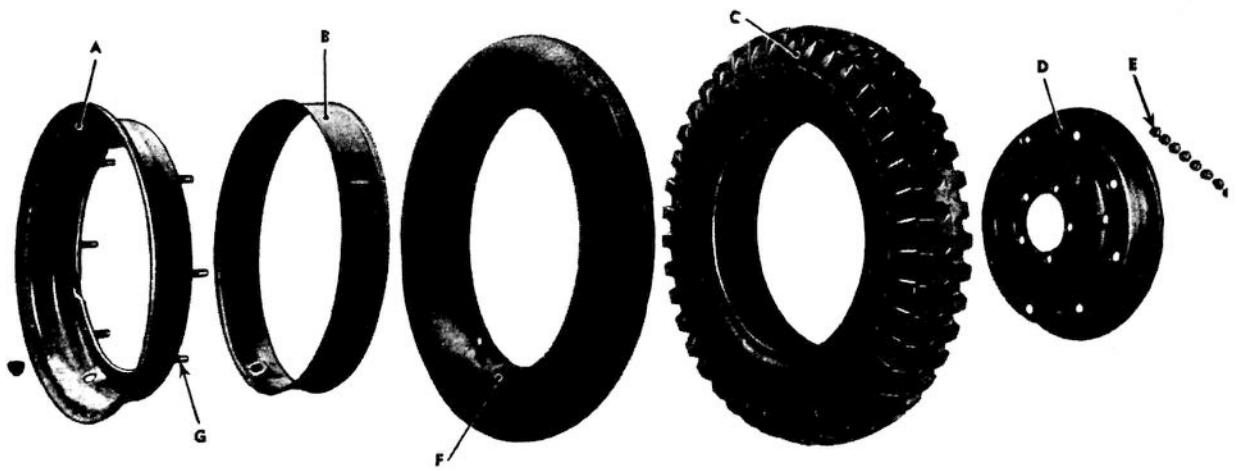
| (1) NOTE SYMBOL | (2) STOCK NO. | (3) ORDNANCE PART NO. | (4) MFR'S PART NO. | (5) FIGURE NO. | (6) NOMENCLATURE | (7) UNIT OF MEAS- URE | (8) QUAN- TITY PER UNIT ASSEM- BLY |
|----------------------------------------------------------------------------|------------------|-----------------------------|-------------------------------------------------|-------------------|---------------------------------------------------------------------------------------------------|-----------------------------------|------------------------------------------------------|
| GROUP 12—BRAKES—Continued | | | | | | | |
| 1204.1—BRAKE MASTER CYLINDER, PEDAL AND CON- NECTIONS—Continued | | | | | | | |
| G-9 | 9240-FC2926 | ----- | LO-FC2926 WO-637597 FM-GP2188 | 12-4 | PLATE, stop, master cylinder piston----- | ea | |
| G-9 | G508-7362371 | 7362371 | LO-FC2927 WO-637598 FM-GP2174 | 12-4 | WIRE, locking----- | ea | 1 |
| G-9 | 9240-FC2918 | ----- | LO-FC2918A WO-637585 FM-GP2176 WO-A493 | 12-4 | PLUG, filler, master cylinder (See CAP, filler). RETAINER, cup, master cylinder check valve--- | ea | 1 |
| | | | LO-FC6014 WO-637599 FM-GP2143A | 12-4, 6 | RETAINER, pedal shaft----- ROD, push, master cylinder----- | ea ea | 1 1 |
| | | | LO-FC6010 WO-637583 FM-GP2160 | 12-4 | SEAT, master cylinder check valve----- | ea | 1 |
| G-9 | G503-7340237 | 7340237 | WO-A495 FM-GPW2473 | 02-3 | SHAFT, pedal, assy----- | ea | 1 |
| G-9 | G503-7697874 | 7697874 | WO-A647 FM-GPW5118 | ----- | SHIELD, master cylinder, assy----- | ea | 1 |
| G-9 | 9240-FC6009 | ----- | LO-FC6009 WO-637587 FM-GP2145 | 12-4 | SPRING, piston return, master cylinder, w/RE- TAINER, assy. | ea | 1 |
| | G503-0389783 | ----- | WO-630593 FM-GPW7523 | 02-3 | SPRING, retracting, pedal----- | ea | 1 |
| G-9 | 9240-FD4564 | ----- | LO-FD4564 WO-637582 FM-GP2155 | 12-4 | TANK, supply, master cylinder (also known as master CYLINDER). | ea | 1 |
| H-1 | H001-4167501 | 120375 | ----- | ----- | NUT, hex, light, s-fin, S, cd or zn-pltd, ¼- 20NC-2 | ea | 2 |
| H-1 | H101-0215267 | 215267 | ----- | ----- | SCREW, cap. hex-hd, S, cd or zn-pltd, ¼- 20NC-2 x 1. | ea | 2 |
| H-1 | H001-7025681 | 120380 | ----- | ----- | WASHER, lock, med, S, cd or zn-pltd, ¼ in. | ea | 2 |

| | | | | | | | |
|-----|--------------|--------|-------------------------------------------------|--------------|----------------------------------------------------------------|----|---|
| G-9 | 9240-FC2917 | | LO-FC2917 WO-637584 FM-GP2175 | 12-4 | VALVE, check, master cylinder, assy - | ea | 1 |
| | | | | | 1204.2—BRAKE WHEEL CYLINDERS | | |
| | | | LO-FC8779 WO-A6117 FM-GPW2206 | | BOOT, wheel cylinder (for ¾ in. rear cylinder) - | ea | 4 |
| | | | LO-FC5994 WO-637546 FM-GPW2206A2 | 12-5 | BOOT, wheel cylinder (for 1 in. front or ¾ in. rear cylinder). | ea | 8 |
| G-9 | G085-2221780 | | LO-FC1499 WO-637579 FM-91A2201 | 12-5 | CUP, front wheel cylinder (1 in. cylinder) - | ea | 4 |
| | | | LO-FC4158 WO-A6116 FM-GPW2201 | | CUP, rear wheel cylinder (¾ in. cylinder) - | ea | 4 |
| G-9 | 9240-FC3023 | | LO-FC3023 WO-637544 FM-GP2201 | | CUP, rear wheel cylinder (¾ in. cylinder) - | ea | 4 |
| | | | WO-A1502 | 12-5 | CYLINDER, front wheel (1 in. diam) - | ea | 2 |
| G-9 | G503-0145854 | | LO-FD7379 BX-45908 WO-A1484 FM-GPW2061 | 10-4 12-5 | CYLINDER, front wheel, assy (1 in. diam) - | ea | 2 |
| | | | LO-FC8782 WO-A6111 FM-GPW2135 | | CYLINDER, rear wheel (¾ in. diam) - | ea | 2 |
| G-9 | G503-0145855 | | LO-FD7568 BX-46491 WO-A6110 FM-GPW2261 | 11-3 12-6 | CYLINDER, rear wheel, assy (¾ in. diam) - | ea | 2 |
| | | | LO-FD4664 WO-637789 FM-GP2192 | | CYLINDER, rear wheel (¾ in. diam) - | ea | 2 |
| | | | LO-4665 BX-41807 WO-637787 FM-GP2261 | | CYLINDER, rear wheel, assy (¾ in. diam) - | ea | 2 |
| H-1 | H101-0427238 | 427238 | | 12-5, 6 | SCREW, cap, hex-hd, S, cd or zn-pltd, ¼-20NC-2 x ¾. | ea | 8 |
| H-1 | H001-7021741 | 120423 | | 12-5 | WASHER, lock. int-teeth, reg, S, cd or zn-pltd, ¼ in. | ea | 8 |
| G-9 | 9240-FC5997 | | LO-FC5997 WO-637577 FM-GP2194 | 12-5 | PISTON, front wheel cylinder, assy (1 in. diam) - | ea | 4 |

| (1) NOTE SYMBOL | (2) STOCK NO. | (3) ORDNANCE PART NO. | (4) MFR'S PART NO. | (5) FIGURE NO. | (6) NOMENCLATURE | (7) UNIT OF MEAS- URE | (8) QUAN- TITY PER UNIT ASSEM- BLY |
|-----------------------------------------------|------------------|-----------------------------|---------------------------------------------------|-------------------|-----------------------------------------------------------------|-----------------------------------|------------------------------------------------------|
| GROUP 12—BRAKES—Continued | | | | | | | |
| 1204.2—BRAKE WHEEL CYLINDERS—Continued | | | | | | | |
| G-9 | 9240-FC8778 | ----- | LO-FC8778 WO-A6113 FM-GPW2196 | ----- | PISTON, rear wheel cylinder, assy. (3/4 in. diam)----- | ea | 4 |
| G-9 | 9240-FC5998 | ----- | LO-FC5998 WO-637541 FM-GP2196 | ----- | PISTON, rear wheel cylinder, assy (3/8 in. diam)----- | ea | 4 |
| G-9 | 9240-FC5993 | ----- | LO-FC5993 WO-637540 FM-GP2208 | 12-5, 6 | SCREW, bleeder, wheel cylinder----- | ea | 4 |
| G-9 | 9240-FC5992 | ----- | LO-FC5992 WO-637580 FM-GP2205 | 12-5 | SPRING, return, front wheel cylinder piston----- | ea | 2 |
| G-9 | 9240-FC6003 | ----- | LO-FC6003 WO-637545 FM-GP2204 | ----- | SPRING, return, rear wheel cylinder piston----- | ea | 2 |
| 1204.3—BRAKE LINES | | | | | | | |
| G-9 | G503-7740789 | 7740789 | WO-A1486 FM-GPW2084 | ----- | BRACKET, front flexible line, left----- | ea | 1 |
| G-9 | G503-7697872 | 7697872 | WO-A1487 FM-GPW2082 | ----- | BRACKET, front flexible line, right----- | ea | 1 |
| | G503-7744327 | 7744327 | WO-A5227 FM-GPW2274 | 12-6 | BRACKET, rear axle brake line tee----- | ea | 1 |
| H-1 | H001-5026131 | 193990 | ----- | ----- | SCREW, cap, hex-hd, S, cd or zn-pltd, 3/16- 18NC-2 x 3/8. | ea | 2 |
| G-9 | 3320GPW-2250 | ----- | WO-A1515 | ----- | CLAMP, hose, 2 1/2 ID (brake line to axle)----- | ea | 3 |
| H-1 | H001-4139681 | 120611 | FM-GPW2250 | ----- | NUT, mach screw, sq, S, cd or zn-pltd, No. 10-32NF-2. | ea | 3 |
| H-1 | H001-5148891 | 132923 | ----- | ----- | SCREW, mach, rd-hd, S, cd or zn-pltd, No. 10-32NF-2 x 1. | ea | 3 |
| | | | WO-A5449 FM-GPW2231 FM-GPW14560 WO-52840 | ----- | CLIP, open, 3/16 in., 7/32 bolt hole (brake lines)----- | ea | 3 |
| | | | | ----- | BOLT, hex-hd, S, cd-pltd, No. 10 x 1/2 (to master cylinder). | ea | 1 |

| | | | | | | | |
|-----|--------------|---------|-------------|------|------------------------------------------------------------------------------|----|---|
| H-1 | H001-4135661 | 120361 | | | NUT, mach screw, hex, S, cd or zn-pltd, No. 10-24NC-2. | ea | 2 |
| H-1 | H001-5148271 | 120222 | | | SCREW, mach, rd-hd, S, cd or zn-pltd, No. 10-24NC-2 x 5/8. | ea | 2 |
| H-1 | H001-7025621 | 120217 | | | WASHER, lock, med, S, cd or zn-pltd, No. 10. | ea | 2 |
| | | | WO-A1378 | | CLIP, brake line (closed 5/16 in.) | ea | 2 |
| | | | FM-GPW2244 | | | | |
| | | | WO-52839 | | CLIP, brake line (to side rail) | ea | 2 |
| | | | FM-GPW2223 | | | | |
| | | | WO-637439 | | CLIP, brake line (1/4 in., under rear axle cover bolt) | ea | 1 |
| | | | FM-GPW2081 | | | | |
| G-9 | G085-2219065 | | GM-709818 | 12-6 | CLIP, lock, hose to bracket | ea | 6 |
| | | | WO-637427 | | | | |
| | | | FM-78-2814A | | | | |
| G-9 | 9240-FC1511 | | LO-FC1511 | | GASKET, brake line tee fitting (Superseded by GASKET LO-S-FC5795). | ea | 2 |
| | | | WO-A562 | | | | |
| G-9 | 9240-FC5795 | | LO-S-FC5795 | | GASKET, brake line tee fitting | ea | 2 |
| | | | WO-637426 | | | | |
| | | | FM-GP2087 | | | | |
| | G503-7697871 | 7697871 | WO-A1457 | 10-1 | GUARD, front wheel flexible line | ea | 2 |
| | | | FM-GPW2096 | 12-6 | | | |
| G-9 | G503-0217820 | | LO-FC8502 | 12-6 | LINE, flexible, front axle tee to master cylinder line, assy (11 in. long). | ea | 1 |
| | | | WO-A1373 | | | | |
| | | | WO-A15801 | | | | |
| | | | FM-GPW2078 | | | | |
| G-9 | G503-0217819 | | LO-FC8553 | 12-6 | LINE, flexible, front brake, left and right assy (6 in. long). | ea | 2 |
| | | | WO-A1460 | | | | |
| | | | WO-A15802 | | | | |
| | | | FM-GPW2079 | | | | |
| G-9 | G503-0217821 | | LO-FC5784 | 12-6 | LINE, flexible, rear axle tee to master cylinder line, assy (15 in. long). | ea | 1 |
| | | | WO-A15803 | | | | |
| | | | WO-637424 | | | | |
| | | | FM-GP2078 | | | | |
| G-9 | 3320-GPW2263 | | WO-A1501 | 12-6 | LINE, front tee to left flexible line, assy (3/16 tube, 6 1/2 long). | ea | 1 |
| | | | FM-GPW2263 | | | | |
| G-9 | 3320-GPW2266 | | WO-A1376 | 12-6 | LINE, front tee to right flexible line, assy (3/16 tube, 33 1/2 long). | ea | 1 |
| | | | FM-GPW2266 | | | | |
| G-9 | 3320-GPW2298 | | WO-A1488 | 12-6 | LINE, front wheel cylinder to flexible line, assy (3/16 tube, 5 23/32 long). | ea | 2 |
| | | | FM-GPW2298 | | | | |
| G-9 | 3320-GPW2264 | | WO-A1377 | 12-6 | LINE, master cylinder, front, assy (3/16 tube, 21 13/16 long). | ea | 1 |
| | | | FM-GPW2264 | | | | |

| (1) NOTE SYMBOL | (2) STOCK NO | (3) ORDNANCE PART NO. | (4) MFR'S PART NO. | (5) FIGURE NO. | (6) NOMENCLATURE | (7) UNIT OF MEAS- URE | (8) QUAN- TITY PER UNIT ASSEM- BLY |
|-------------------------------------|-----------------|-----------------------------|-------------------------------------|-------------------|------------------------------------------------------------------------------------------------------------------------------------------------|-----------------------------------|------------------------------------------------------|
| GROUP 12—BRAKES—Continued | | | | | | | |
| 1204.3—BRAKE LINES—Continued | | | | | | | |
| | | | WO-A683 | | LINE, master cylinder, rear, assy ($\frac{3}{16}$ tube, 38 $\frac{1}{16}$ long) (Used on vehicles before Willys Serial No. 106763). | ea | 1 |
| G-9 | 3320 GPW2265 | | WO-A5224 FM-GPW2265 WO-A630 | 12-6 | LINE, master cylinder, rear, assy ($\frac{3}{16}$ tube 62 $\frac{1}{16}$ long). | ea | 1 |
| | | | | | LINE, rear tee to left wheel cylinder, assy ($\frac{3}{16}$ tube, 13 $\frac{2}{32}$ long) (Used on vehicles before Willys Serial No. 106763). | ea | 1 |
| G-9 | 3320-GPW2268 | | WO-A5225 FM-GPW2268 WO-A631 | 11-1 12-6 | LINE, rear tee to left wheel cylinder, assy ($\frac{3}{16}$ tube, 27 $\frac{3}{8}$ long). | ea | 1 |
| | | | | | LINE, rear tee to right wheel cylinder, assy ($\frac{3}{16}$ tube, 30 $\frac{1}{2}$ long) (Used on vehicles before Willys Serial No. 106763). | ea | 1 |
| G-9 | 3320-GPW2267 | | WO-A5226 FM-GPW2267 | 11-1 12-6 | LINE, rear tee to right wheel cylinder, assy ($\frac{3}{16}$ tube, 28 $\frac{13}{16}$ long). | ea | 1 |
| G-9 | 9240-FC5555 | | LO-FC5555 WO-384710 FM-GP2133 | | NUT, brake line ($\frac{3}{16}$ in. inverted flared tube) | ea | 14 |
| G-9 | 9240-FC5778 | | LO-FC5778 WO-637432 FM-GP2074 | 11-1 12-6 | TEE, brake line (at front and rear axle) | ea | 2 |
| H-1 | H001-5025501 | 214001 | | | SCREW, cap, hex-hd, S, cd or zn-pltd, $\frac{1}{4}$ -20NC-2 x $\frac{1}{2}$. | ea | 2 |
| H-1 | H001-7025681 | 120380 | | | WASHER, lock, med, S, cd or zn-pltd, $\frac{1}{4}$ in. | ea | 2 |



| KEY ITEM | PART NO. | GROUP | KEY ITEM | PART NO. | GROUP |
|------------|-----------|-------|----------|-----------|-------|
| A—RIM | KHW-25917 | 1311 | E—NUT | KHW-25779 | 1311 |
| B—BEADLOCK | 520936 | 1313 | F—TUBE | 519246 | 1313 |
| C—TIRE | 511250 | 1313 | G—BOLT | KHW-25695 | 1311 |
| D—DISK | KHW-25693 | 1311 | | | |

RA PD 50108G

Figure 13-1. Wheel—exploded view.

| (1) NOTE SYMBOL | (2) STOCK NO. | (3) ORDNANCE PART NO. | (4) MFR'S PART NO. | (5) FIGURE NO. | (6) NOMENCLATURE | (7) UNIT OF MEAS- URE | (8) QUAN- TITY PER UNIT ASSEM- BLY |
|----------------------------|------------------|-----------------------------|-------------------------------------|--------------------|-----------------------------------------------------------------------------------------------------------------------------|-----------------------------------|------------------------------------------------------|
| GROUP 13—WHEELS | | | | | | | |
| 1311—WHEEL ASSEMBLY | | | | | | | |
| H-12 | H012-6141280 | 705423 | TIM-18590 | 10-4, 5 11-2, 4 | CONE; tapered roller bearing, No. TIM-18590 (Includes rollers and cage, type TS, SR, 1.625 bore, 0.6875 width) (wheel hub). | ea | 8 |
| H-12 | H012-6219420 | 706836 | TIM-18520 | 10-4, 5 11-2, 4 | CUP, tapered roller bearing, No. TIM-18520 (type TS, SR, 2.875 OD, 0.500 width) (wheel hub). | ea | 8 |
| G-9 | 5200-25693 | ----- | KHW-25693 WO-A5468 FM-GPW1016 | 13-1 | DISK, wheel (inner half of WHEEL, assy KHW-25692). | ea | 5 |
| G-9 | 5200-24569 | ----- | KHW-24569 WO-A473 FM-GP1108 | 11-3 | BOLT, special, S, ½-20NF-2 x 1¼, LH thread. | ea | 10 |
| G-9 | 5200-24568 | ----- | KHW-24568 WO-A474 FM-GP1107 | 11-1, 2, 3 | BOLT, special, S, ½-20NF-2 x 1¼, RH thread. | ea | 10 |
| M-5 | G503-0314838 | A232404 | KHW-24576 WO-A475 FM-GP1013 | 10-4 11-3 | NUT, special, hex, S, ½-20NF-2, LH thread. | ea | 10 |
| M-5 | G503-0314839 | A232405 | KHW-24575 WO-A476 FM-GP1012 | 10-4 11-2, 3 | NUT, special, hex, S, ½-20NF-2, RH thread. | ea | 10 |
| G-9 | 8080-17016 | ----- | SP-17016 WO-A866 FM-GP4252 | 10-5 11-2, 4 | NUT, adjusting, wheel bearings (hex, S, 1½-16N). | ea | 8 |
| G-9 | 3320-GPW1027 | ----- | WO-A5469 FM-GPW1027 | ----- | RIM, wheel (outer half of WHEEL, assy KHW25692) (superseded by RIM KHW-25917). | ea | 5 |
| M-5 | 5200-25917 | D40974 | KHW-25917 WO-A5549 FM-GPW1024 | 13-1 | RIM, wheel disk (outer part of WHEEL, assy KHW-25692). | ea | 5 |
| M-5 | G503-0124253 | A233140 | KHW-25695 WO-A5470 FM-GPW1029 | 13-1 | BOLT, special, S, ½-20NF-2 x 1¼ | ea | 40 |
| M-5 | G503-0314840 | A232465 | KHW-25779 WO-A5471 FM-GPW1030 | 13-1 | NUT, special, hex, S, ½-20NF-2 | ea | 40 |

| | | | | | | | |
|------------------------------------|--------------|---------|-------------------------------------|----------------------------|--------------------------------------------------------------------------------|----|---|
| H-13 | H013-0500128 | 500128 | ----- | 10-5 | SEAL, oil, type MW, 2½ x 2.879 x ¼ (wheel hub bearing). | ea | 4 |
| G-9 | 8080-17015 | ----- | SP-17015 WO-A865 FM-GP1218 | 11-2, 4 10-5 11-2, 4 | WASHER, wheel bearing----- | ea | 4 |
| G-9 | 8080-17017 | ----- | SP-17017 WO-A867 FM-GP1124 | 10-5 11-2, 4 | WASHER, lock, wheel bearing nut----- | ea | 4 |
| M-5 | G529-0446892 | D40975 | KHW-25692 WO-A5467 FM-GPW1015 | ----- | WHEEL, assy (16 x 4.50) (includes DISK, RIM, BOLTS and NUTS). | ea | 5 |
| 1312--WHEEL HUBS AND DRUMS | | | | | | | |
| G-9 | 8080-17071 | ----- | SP-17071 WO-A869 FM-GP1139 | 10-4 | CAP, front wheel hub----- | ea | 2 |
| G-9 | 9680-A472 | ----- | KHW-24566 WO-A472 | 11-2 12-6 | DRUM, brake, front and rear wheel----- | ea | 4 |
| | G503-7341800 | 7341800 | KHW-24659 WO-A1691 | ----- | HUB, wheel, w/BEARING, assy----- | ea | 4 |
| G-9 | 5200-25647 | ----- | KHW-25647 WO-A1689 FM-GP1103 | 10-4 11-1, 3, 4 | HUB, wheel, left, w/DRUM, assy----- | ea | 2 |
| G-9 | 5200-25646 | ----- | KHW-25646 WO-A1690 FM-GP1102 | 10-4 11-1, 3 | HUB, wheel, right, w/DRUM, assy----- | ea | 2 |
| 1313--WHEEL TIRES AND TUBES | | | | | | | |
| H-14 | H014-0520936 | 520936 | ----- | 13-1 | BEADLOCK, combat tire, channel type, 4.50 (CE) x 16 rim (For 6.00 x 16 tires). | ea | 5 |
| H-14 | H014-0520944 | 520944 | ----- | ----- | CAP, tire valve, screwdriver type----- | ea | 5 |
| H-14 | H014-0501229 | 501229 | ----- | ----- | CORE, tire valve----- | ea | 5 |
| H-14 | H014-0520877 | 520877 | ----- | ----- | FLAP, tire, 7.50 x 16 (for 7.50 x 16 tires only)----- | ea | 5 |
| H-14 | H014-0511250 | 511250 | ----- | 13-1 | TIRE, pneumatic, new 6.00 x 16, 6 ply, light truck, mud and snow tread. | ea | 5 |
| H-14 | H014-0511570 | 511570 | ----- | ----- | TIRE, pneumatic, new, 7.50 x 16, 6 ply, light truck, mud and snow tread. | ea | 5 |
| H-14 | H014-0519246 | 519246 | ----- | 13-1 | TUBE, new, 6.00 x 16, light truck (valve TR-15)--- | ea | 5 |
| H-14 | H014-0519260 | 519260 | ----- | ----- | TUBE, new, 7.50 x 16, light truck (valve TR-50 or 150.) | ea | 5 |

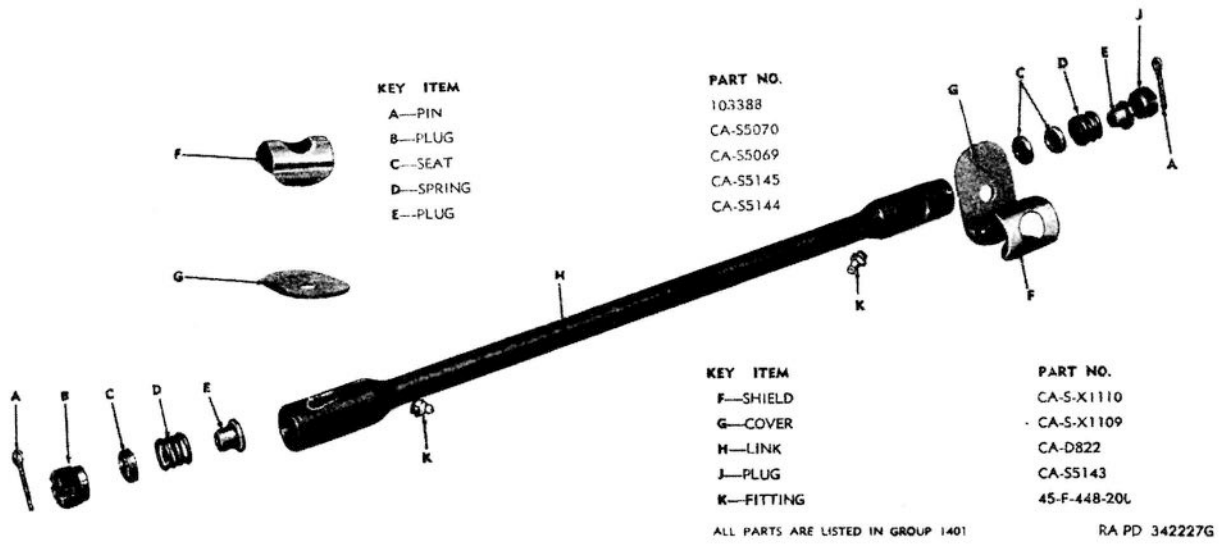
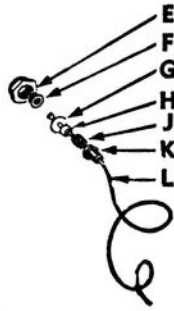
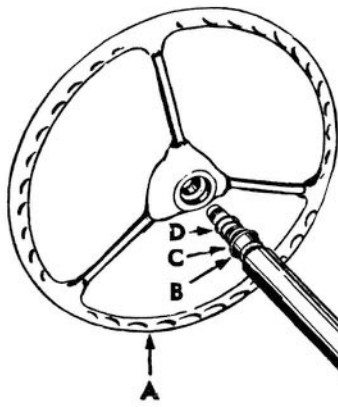
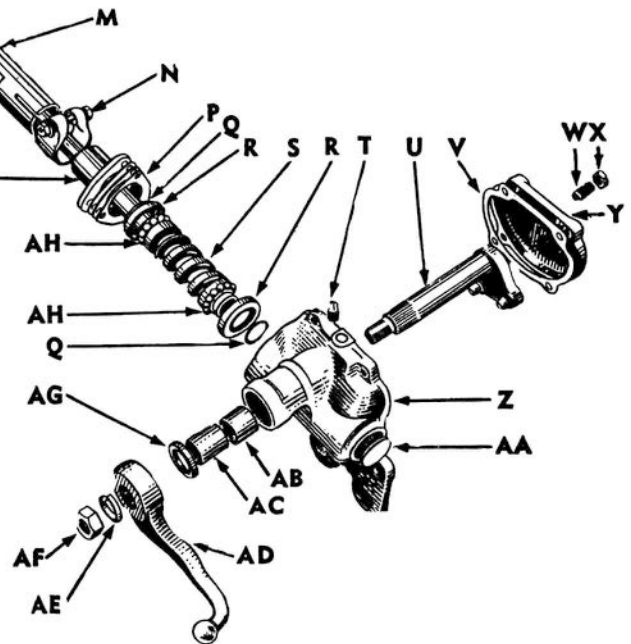


Figure 14-1. Drag link—exploded view.



| KEY ITEM | PART NO. | GROUP |
|----------------|-----------|--------|
| A—WHEEL | WO-A6858 | 1401.1 |
| B—BEARING | RG-063996 | 1401.1 |
| C—SEAT | RG-028093 | 1401.1 |
| D—SPRING | RG-401090 | 1401.1 |
| E—NUT | RG-026988 | 1401.1 |
| F—BUTTON | RG-450054 | 0611 |
| G—WASHER | RG-029049 | 0611 |
| H—FERRULE | RG-051035 | 0611 |
| J—SPRING | RG-401107 | 0611 |
| K—CUP | RG-029046 | 0611 |
| L—CABLE | RG-828732 | 0611 |
| M—JACKET, ASSY | WO-A1199 | 1401.1 |
| N—CLAMP, ASSY | RG-502282 | 1401.1 |
| P—SHIM | RG-033046 | 1401.1 |
| Q—RING | RG-401100 | 1401.1 |
| R—CUP | RG-400025 | 1401.1 |
| S—SHAFT | RG-503308 | 1401.1 |

| KEY ITEM | PART NO. | GROUP |
|-----------------|---------------|--------|
| T—PLUG | WO-5085 | 1401.1 |
| U—SHAFT, ASSY | RG-7698-4 5/8 | 1401.1 |
| V—GASKET | RG-T129001 | 1401.1 |
| W—SCREW | RG-021116 | 1401.1 |
| X—NUT | 124929 | 1401.1 |
| Y—COVER | RG-502540 | 1401.1 |
| Z—HOUSING, ASSY | RG-503284 | 1401.1 |
| AA—PLUG | 541402 | 1401.1 |
| AB—BUSHING | RG-063011 | 1401.1 |
| AC—BUSHING | RG-063012 | 1401.1 |
| AD—ARM | WO-A1116 | 1401.1 |
| AE—WASHER | 121574 | 1401.1 |
| AF—NUT | RG-025060 | 1401.1 |
| AG—SEAL | 500017 | 1401.1 |
| AH—BALL | 104919 | 1401.1 |
| AJ—COVER | RG-T126000 | 1401.1 |
| AK—RING | RG-063991 | 0611 |
| AL—BRUSH | RG-032087 | 0611 |



RA PD 342246G

Figure 14-2. Steering gear—exploded view.

| (1) NOTE SYMBOL | (2) STOCK NO. | (3) ORDNANCE PART NO. | (4) MFR'S PART NO. | (5) FIGURE NO. | (6) NOMENCLATURE | (7) UNIT OF MEAS- URE | (8) QUAN- TITY PER UNIT ASSEM- BLY |
|------------------------------|------------------|-----------------------------|---------------------------------------------------------------------------|-------------------|------------------------------------------------------------------------------------------------------------------------------------------|-----------------------------------|------------------------------------------------------|
| GROUP 14—CONTROLS | | | | | | | |
| 1401—STEERING LINKAGE | | | | | | | |
| H-12 | H012-0709455 | 709455 | TR-B1210 | ----- | BEARING roller needle No. TR-B1210 (open end no inner race, w/o oil hole, 0.750 shaft diam, 1.000 OD, 0.625 width) (steering bellcrank). | ea | 2 |
| G-9 | 3320-GPW3131 | ----- | WO-A1211 FM-GPW3131 | ----- | BELLCRANK, steering (Superseded by BELLCRANK SP-17307). | ea | 1 |
| G-9 | 8080-17307 | ----- | SP-17307 | 10-1 | BELLCRANK, steering----- | ea | 1 |
| G-9 | 8080-13439 | ----- | WO-A8249 FM-GPW3131B TP-16MN8 WO-A1706 FM-51-3287 SP-13439 | 10-1 | CLAMP, steering knuckle tie rod----- | ea | 4 |
| H-1 | H001-4027541 | 225831 | ----- | ----- | NUT, hex, reg, s-fin, S, cd or zn-pltd, $\frac{3}{8}$ -24NF-2. | ea | 4 |
| H-1 | H101-0429037 | 429037 | ----- | ----- | SCREW, cap, hex-hd, S, cd or zn-pltd, $\frac{3}{8}$ -24NF-2 x 1 $\frac{1}{2}$. | ea | 4 |
| H-1 | H001-7025741 | 120382 | ----- | ----- | WASHER, lock, med. S, cd or zn-pltd, $\frac{3}{8}$ in. | ea | 4 |
| G-9 | G503-7036585 | 7036585 | CA-S-X1109 WO-A622 FM-GPW3332A | 14-1 | COVER, dust, drag link (ru)----- | ea | 2 |
| G-9 | G085-2371582 | ----- | TP-14DM43 WO-A844 FM-78-3336 SP-16067 | ----- | COVER, grease retaining, tie rod end----- | ea | 2 |
| G-9 | 8080-17047X | ----- | TP-14SV90A7 WO-A847 FM-GP3290 FM-GP3292 SP-17047X | 10-1 | END, tie rod, left hand thread, assy----- | ea | 2 |
| G-9 | 8080-17046X | ----- | TP-14SV89A7 WO-A838 FM-GP3289 FM-GP3291 SP-17046S | 10-1 | END, tie rod, right hand thread, assy----- | ea | 2 |
| H-1 | H001-4217681 | 125250 | ----- | ----- | NUT, slotted, light, s-fin, S, cd or zn-pltd, $\frac{1}{2}$ -20NF-2. | ea | 4 |

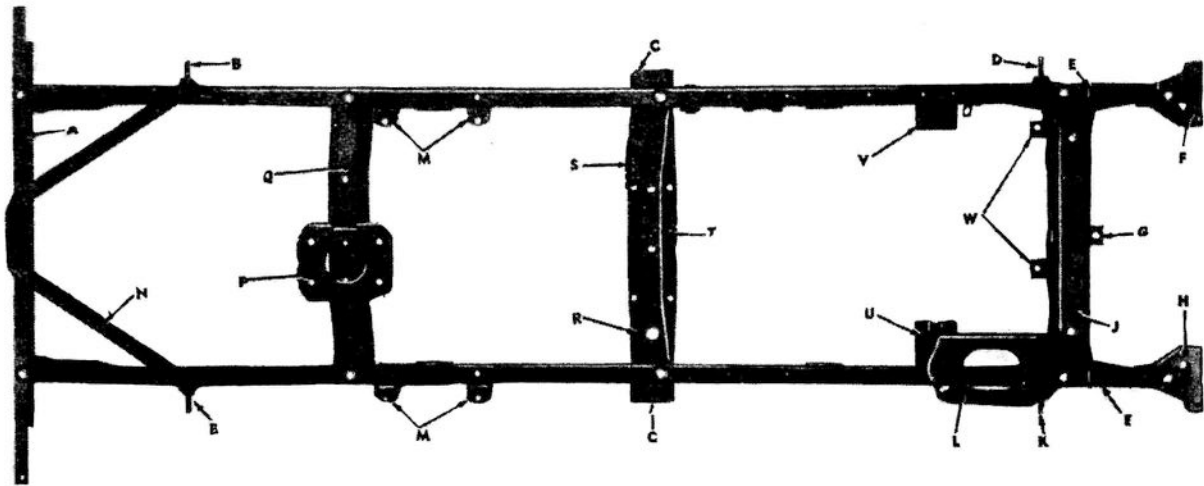
| | | | | | | | |
|-----|---------------|--------------|-------------------------------------|------|-------------------------------------------------------------------------------------------------------------------------------|----|---|
| H-1 | H001-0811040 | 103374 | | | PIN, cotter, split, S, $\frac{3}{32}$ x 1 | ea | 4 |
| K-3 | 45-F-448-200 | 45-F-448-200 | | 14-1 | FITTING, lubricating, hydraulic type, stght, $\frac{1}{8}$ -27NPT, male, length over-all $1\frac{1}{16}$ in. (for drag link). | ea | 2 |
| G-9 | 9680-A621 | | WO-A621 FM-GPW3305 CA-D822 | | LINK, drag (Superseded by LINK CA-D822) | ea | 1 |
| | | | WO-A8252 FM-GPW3305B | 14-1 | LINK, drag | ea | 1 |
| G-9 | G503-0373279 | | WO-A619 FM-GPW3304 | | LINK, drag, assy (Superseded by LINK WO-A8250). | ea | 1 |
| G-9 | 3320-GPW3304B | | WO-A8250 FM-GPW3304B | | LINK, drag, assy | ea | 1 |
| G-9 | 8080-17211 | | SP-17211 WO-A856 FM-GPW3166 | | PIN, steering bellcrank shaft (S, tapered, $\frac{3}{8}$ x $1\frac{1}{8}$) | ea | 1 |
| G-9 | 3320-GPW3323 | | CA-S5070 WO-630756 FM-GPW3323 | 14-1 | PLUG, adjusting, drag link ball seat, large (bellcrank end). | ea | 1 |
| H-1 | H001-0811055 | 103388 | | 14-1 | PIN, cotter, split, S, $\frac{1}{8}$ x $1\frac{3}{4}$ | ea | 1 |
| G-9 | G503-7036586 | 7036586 | CA-S5143 WO-630757 FM-GPW3328 | 14-1 | PLUG, adjusting, drag link ball seat, small (steering gear arm end). | ea | 1 |
| H-1 | H001-0811055 | 103388 | | 14-1 | PIN, cotter, split, S, $\frac{1}{8}$ x $1\frac{3}{4}$ | ea | 1 |
| G-9 | G503-7036588 | 7036588 | CA-S5144 WO-630753 FM-GPW3326 | 14-1 | PLUG, drag link ball seat spring | ea | 2 |
| G-9 | G503-0373269 | | SP-17309X WO-A1708 FM-GPW3279 | | ROD, tie, steering, left, assy (Includes rod ENDS) | ea | 1 |
| G-9 | G503-0373270 | | SP-17308X WO-A1704 FM-GPW3280 | | ROD, tie, steering, right, assy (Includes rod ENDS). | ea | 1 |
| G-9 | 3320-78-3332A | | FM-78-3332A | | SEAL, dust, tie rod end (Ford only. Willys uses SPRING WO-A6305). | ea | 4 |
| G-9 | 8080-17213 | | SP-17213 WO-A858 FM-GPW3167 | | SEAL, steering bellcrank bearing | ea | 2 |
| G-9 | G503-7036567 | 7036567 | CA-S5069 WO-630755 FM-GPW3320 | 14-1 | SEAT, ball, drag link | ea | 3 |
| G-9 | 8080-17210 | | SP-17210 WO-A855 FM-GPW3165 | | SHAFT, steering bellcrank | ea | 1 |
| G-9 | 8080-S1106 | | SP-S1106 WO-A876 FM-356124S | 10-1 | NUT, hex, S, $\frac{3}{4}$ -20EF-2 | ea | 1 |

| (1) NOTE SYMBOL | (2) STOCK NO. | (3) ORDNANCE PART NO. | (4) MFR'S PART NO. | (5) FIGURE NO. | (6) NOMENCLATURE | (7) UNIT OF MEAS- URE | (8) QUAN- TITY PER UNIT ASSEM- BLY |
|----------------------------------------|------------------|-----------------------------|---------------------------------------|-------------------|-------------------------------------------------------------------|-----------------------------------|------------------------------------------------------|
| GROUP 14—CONTROLS—Continued | | | | | | | |
| 1401—STEERING LINKAGE—Continued | | | | | | | |
| H-1 | H001-0811055 | 103388 | | | SHAFT—Continued | | |
| G-9 | G503-7036584 | 7036584 | CA-S-X1110 WO-A623 FM-GPW3336 | 14-1 | PIN, cotter, split, S, 1/8 x 1 1/4 | ea | 1 |
| G-9 | 8080-17205 | | SP-17205 WO-A861 FM-GPW3170 | | SHIELD, dust, drag link dust cover | ea | 2 |
| G-9 | G503-7036587 | 7036587 | CA-S5145 WO-630754 FM-GPW3327 | 14-1 | SHIELD, dust, steering bellcrank bearing | ea | 1 |
| G-9 | 8080-17347 | | TP-14DS20 WO-A6305 SP-17347 | | SPRING, drag link ball seat | ea | 2 |
| G-9 | 8080-17295-2 | | SP-17295-2 WO-A1709 FM-GPW3282 | 10-1 | SPRING, tie rod end (Willys only. Ford uses SEAL FM-78-3332A). | ea | 4 |
| G-9 | 8080-17295-1 | | SP-17295-1 WO-A1705 FM-GPW3281 | 10-1 | TUBE, steering tie rod, left (14 3/4 long) | ea | 1 |
| G-9 | 8080-17214 | | SP-17214 WO-A859 FM-GPW3168 | | TUBE, steering tie rod, right (21.9 long) | ea | 1 |
| G-9 | 8080-17215 | | SP-17215 WO-A860 FM-GPW3169 | | WASHER, steering bellcrank shaft, lower | ea | 1 |
| G-9 | 3320-GPW3590 | | WO-A1116 FM-GPW3590 | 14-2 | WASHER, steering bellcrank shaft, upper | ea | 1 |
| G-9 | 7640-025060 | | RG-025060 WO-639115 FM-356077S5 | 14-2 | 1401.1—STEERING GEAR ASSEMBLY | | |
| H-1 | H001-7025861 | 121574 | | 14-2 | ARM, pitman | ea | 1 |
| H-2 | H002-0100130 | 104919 | | 14-2 | NUT, hex, S, cop-pltd, 5/8-18NF-2 | ea | 1 |
| | | | | | WASHER, lock, med, S, cd or zn-pltd, 5/8 in. | ea | 1 |
| | | | | | BALL, alloy-S, grade 2, 3/8 in (steering gear worm) | ea | 22 |

| | | | | | | | |
|-----|--------------|---------|--------------------------------------|------|------------------------------------------------------------------------------------|----|---|
| G-9 | 7640-063996 | | RG-063996 WO-639190 FM-GPW3517 | 14-2 | BEARING, steering column, wheel end, assy | ea | 1 |
| G-9 | 7640-063011 | | RG-063011 WO-639090 FM-GPW3587 | 14-2 | BUSHING, housing, inner (Also known as BEARING). | ea | 1 |
| G-9 | 7640-063012 | | RG-063012 WO-639091 FM-GPW3576 | 14-2 | BUSHING, housing, outer (Also known as BEARING). | ea | 1 |
| | | | WO-A1277 FM-GPW3682A | | BUSHING, jacket | ea | 1 |
| G-9 | 7640-502282 | | RG-502282 WO-A635 FM-GPW3506 | 14-2 | CLAMP, jacket, assy | ea | 1 |
| H-1 | H001-4027521 | 221157 | | | NUT, hex, reg, s-fin, S, cd or zn-pltd, $\frac{1}{8}$ -24 NF-2. | ea | 1 |
| H-1 | H101-0214069 | 214069 | | | SCREW, cap, hex-hd, S, cd or zn-pltd, $\frac{1}{16}$ -24 NF-2 x 2. | ea | 1 |
| H-1 | H001-7025711 | 120214 | | | WASHER, lock, med, S, cd or zn-pltd, $\frac{1}{16}$ in. | ea | 1 |
| | | | WO-A1276 FM-GPW3511 | | CLAMP, jacket support | ea | 1 |
| H-1 | H001-4027521 | 221157 | | | NUT, hex, reg, s-fin, S, cd or zn-pltd, $\frac{1}{16}$ -24 NF-2. | ea | 2 |
| H-1 | H001-5026411 | 213904 | | | SCREW, cap, hex-hd, S, cd or zn-pltd, $\frac{1}{16}$ -24 NF-2 x $\frac{1}{4}$. | ea | 2 |
| H-1 | H001-7025711 | 120214 | | | WASHER, lock, med, S, cd or zn-pltd, $\frac{1}{16}$ in. | ea | 2 |
| G-9 | G503-7343030 | 7343030 | WO-390510 | | COVER, jacket oil hole (Willys only) | ea | 1 |
| G-9 | 7640-502540 | | RG-502540 WO-639116 FM-GPW3583 | 14-2 | COVER, housing side, assy | ea | 1 |
| H-1 | H101-0215367 | 215367 | | | SCREW, cap, hex-hd, S, phos-ctd, $\frac{1}{16}$ -18NC- 2 x 1. | ea | 4 |
| H-1 | H001-7018711 | 120638 | | | WASHER, lock, heavy, S, cd or zn-pltd, $\frac{1}{16}$ in. | ea | 4 |
| G-9 | 7640-T126000 | | RG-T126000 WO-A1760 FM-GPW3568 | 14-2 | COVER, housing, upper | ea | 1 |
| G-9 | 7640-020122 | | RG-020122 WO-639107 FM-355426S | | SCREW, shoulder, hex-hd, S, $\frac{1}{16}$ -18NC-2 x $\frac{1}{4}$. | ea | 3 |
| H-1 | H001-7025711 | 120214 | | | WASHER, lock, med, S, cd or zn-pltd, $\frac{1}{16}$ in. | ea | 3 |
| G-9 | G102-5322952 | A322952 | RG-092021 WO-639121 FM-356303S | | WASHER, plain, cop., $\frac{3}{16}$ x $\frac{1}{16}$ x $\frac{1}{4}$. | ea | 3 |
| G-9 | G503-7367859 | 7367859 | RG-400025 WO-639102 FM-GPW3552 | 14-2 | CUP, worm balls | ea | 2 |

| (1) NOTE SYMBOL | (2) STOCK NO. | (3) ORDNANCE PART NO. | (4) MFR'S PART NO. | (5) FIGURE NO. | (6) NOMENCLATURE | (7) UNIT OF MEAS- URE | (8) QUAN- TITY PER UNIT ASSEM- BLY |
|------------------------------------------------|------------------|-----------------------------|---------------------------------------|-------------------|--------------------------------------------------------------------------------|-----------------------------------|------------------------------------------------------|
| GROUP 14—CONTROLS—Continued | | | | | | | |
| 1401.1—STEERING GEAR ASSEMBLY—Continued | | | | | | | |
| G-9 | 7640-T129001 | ----- | RG-T129001 WO-639119 FM-GPW3581 | 14-2 | GASKET, housing, side cover----- | ea | 1 |
| G-9 | G503-7767293 | 7767293 | RG-T13086 WO-A1239 FM-GPW3504 | ----- | GEAR, steering, w/o WHEEL, assy----- | ea | 1 |
| H-1 | H101-0124155 | 124155 | ----- | ----- | SCREW, cap, hex-hd, S, cd or zn-pltd, $\frac{3}{16}$ - 20NF-3 x 3. | ea | 2 |
| H-1 | H101-0124372 | 124372 | ----- | ----- | SCREW, cap, hex-hd, S, cd or zn-pltd, $\frac{3}{16}$ - 20NF-3 x 4. | ea | 1 |
| H-1 | H001-4167641 | 120370 | ----- | ----- | NUT, hex, light, s-fin, S, cd or zn-pltd, $\frac{3}{16}$ - 20NF-2. | ea | 3 |
| H-1 | H101-0131718 | 131718 | ----- | ----- | WASHER, lock, int-teeth, reg, S, cd or zn- pltd, $\frac{3}{16}$ in. | ea | 3 |
| G-9 | G503-7324849 | 7324849 | WO-638381 FM-356439S | ----- | WASHER, plain, S, $\frac{1}{2}$ ID x $1\frac{1}{4}$ OD x $\frac{1}{8}$ ----- | ea | 1 |
| G-9 | 7640-503284 | ----- | RG-503284 WO-A740 FM-GPW3548 | 14-2 | HOUSING, assy----- | ea | 1 |
| G-9 | 3320-GPW3509 | ----- | WO-A1199 FM-GPW3509 | 14-2 | JACKET, w/BEARING, assy----- | ea | 1 |
| H-6 | H006-0282480 | 541402 | ----- | 14-2 | PLUG, expansion, S, $1\frac{1}{4}$ in. diam (steering gear housing). | ea | 1 |
| H-6 | H006-0283566 | 103865 | WO-5085 | 14-2 | PLUG, pipe, sq-hd, CI, $\frac{1}{8}$ in. (steering gear hous- ing). | ea | 1 |
| G-9 | 7640-401100 | ----- | RG-401100 WO-639103 FM-GPW3589 | 14-2 | RING, retaining, worm balls----- | ea | 2 |
| G-9 | 3320-GPW3521 | ----- | FM-GPW3521 | ----- | RING, snap, jacket (Ford only)----- | ea | 2 |
| G-9 | 7640-021116 | ----- | RG-021116 WO-639118 FM-GPW3577 | 14-2 | SCREW, adjusting, arm shaft----- | ea | 1 |
| H-1 | H001-4185641 | 124929 | ----- | 14-2 | NUT, jam, hex, light, s-fin, S, cd or zn-pltd, $\frac{3}{16}$ -20NF-2. | ea | 1 |
| II-13 | H013-0500017 | 500017 | ----- | 14-2 | SEAL, oil, type ML, 0.88 x 1.3125 x $\frac{1}{4}$ (steering gear arm shaft) | ea | 1 |

| | | | | | | | |
|-----|-----------------|--------|------------------------------------------------------------------------------------------|------|------------------------------------------------------------------------------------------------------|----|---|
| G-9 | 7640-028093 | | RG-028093 WO-639192 FM-GPW3518 | 14-2 | SEAT, jacket upper bearing spring----- | ea | 1 |
| G-9 | 7640-7698-4-5-8 | | RG-7698-4- $\frac{1}{2}$ WO-A745 FM-GPW3575 | 14-2 | SHAFT, arm, w/LEVER, assy----- | ea | 1 |
| G-9 | 7640-503308 | | WO-A742 FM-GPW3524 | | SHAFT, w/integral WORM, assy (Includes horn button NUT) (Superseded by SHAFT, assy RG-503308). | ea | 1 |
| G-9 | 7640-503308 | | RG-503308 WO-A8838 FM-GPW3514 | 14-2 | SHAFT, w/integral WORM, assy (Includes horn button NUT). | ea | 1 |
| G-9 | 3320-GPW3563 | | WO-638918 FM-GPW3563 | | SHIM, mounting, housing----- | ea | † |
| G-9 | 7640-033046 | | RG-033046 WO-639108 FM-GPW3593 | 14-2 | SHIM, housing upper cover, S (0.002 thk)----- | ea | † |
| G-9 | 7640-033047 | | RG-033047 WO-639109 FM-GPW3594 | | (0.003 thk)----- | ea | † |
| G-9 | 7640-033048 | | RG-033048 WO-639110 FM-GPW3595 | | (0.010 thk)----- | ea | † |
| G-9 | 7640-401090 | | WO-A1422 FM-GPW5116 RG-401090 WO-639191 FM-GPW3520 WO-A2859 FM-GPW3658 | 14-2 | SPACER, steering gear to frame bolt----- | ea | 1 |
| H-1 | H001-4027521 | 221157 | | | SPRING, jacket upper bearing----- | ea | 1 |
| H-1 | H001-5026411 | 213904 | | | SUPPORT, jacket----- | ea | 1 |
| H-1 | H001-7025711 | 120214 | | | NUT, hex, reg, s-fin, S, cd or zn-pltd, $\frac{1}{16}$ - 24NF-2. | ea | 3 |
| G-9 | 3320-GPW3600A | | WO-A535 WO-A6343 FM-GPW3600A3 | 18-2 | SCREW, cap, hex-hd, S, cd or zn pltd, $\frac{1}{16}$ - 24NF-2 x $\frac{1}{4}$. | ea | 3 |
| G-9 | 3320-GPW3600A | | WO-A6858 FM-GPW3600A | 14-2 | WASHER, lock, med, S, cd or zn-pltd, $\frac{1}{16}$ in. | ea | 3 |
| G-9 | 7640-026988 | | RG-026988 WO-A633 FM-GPW3655 | 14-2 | WHEEL, steering, assy (Superseded by WHEEL WO-A6858). | ea | 1 |
| | | | | | WHEEL, steering, assy----- | ea | 1 |
| | | | | | NUT, special, hex, $1\frac{1}{16}$ -20NC-2----- | ea | 1 |



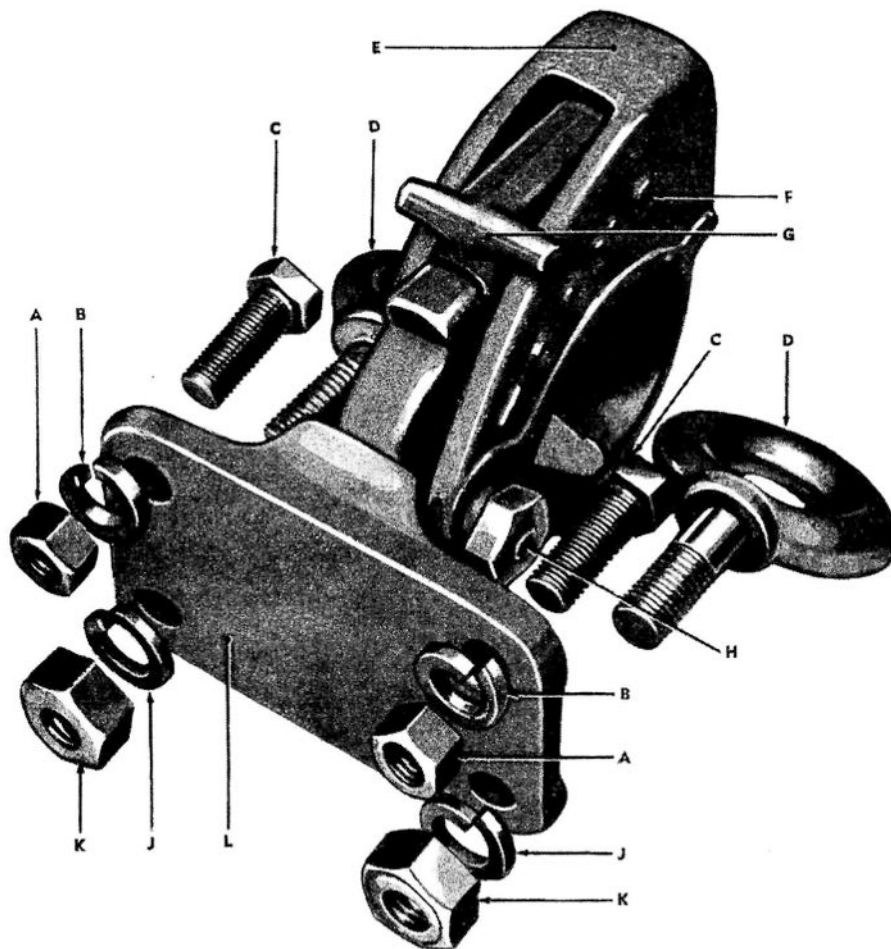
| KEY ITEM | PART NO. |
|-----------|-------------|
| A—MEMBER | WO-A547 |
| B—BRACKET | FM-GPW18075 |
| C—BRACKET | WO-A415 |
| D—BRACKET | WO-A1204 |
| E—BRACKET | WO-A1201 |
| F—GUSSET | WO-A1127 |
| G—BRACKET | WO-A1514 |
| H—GUSSET | WO-A1128 |
| J—MEMBER | FM-GPW5019 |
| K—BRACKET | WO-A1205 |
| L—TRAY | FM-GPW5452 |

| KEY ITEM | PART NO. |
|-------------|------------|
| M—OUTRIGGER | WO-A637 |
| N—BRACE | FM-GPW5181 |
| P—PLATE | WO-A1151 |
| Q—MEMBER | WO-A1150 |
| R—CUP | WO-A6740 |
| S—BRACKET | WO-A185 |
| T—MEMBER | WO-A5127 |
| U—BRACKET | FM-GPW6029 |
| V—BRACKET | FM-GPW6030 |
| W—BRACKET | FM-GPW5072 |

ALL PARTS LISTED IN GROUP 1501

RA PD 329141G

Figure 15-1. Frame—assembly.



KEY ITEM
 A—NUT
 B—WASHER
 C—SCREW
 D—BOLT
 E—LOCK
 F—PIN
 G—LATCH
 H—BOLT
 J—WASHER
 K—NUT
 L—PINTLE

PART NO.
 121949
 131100
 181667
 WO-A6393
 HLH-T62XA
 HLH-T67
 HLH-T63
 HLH-T64A
 120384
 120378
 NOT SERVICED
 SEPARATELY

ALL PARTS LISTED IN GROUP 1503.

RA PD 342233G

Figure 15-2. Pintle—assembly.

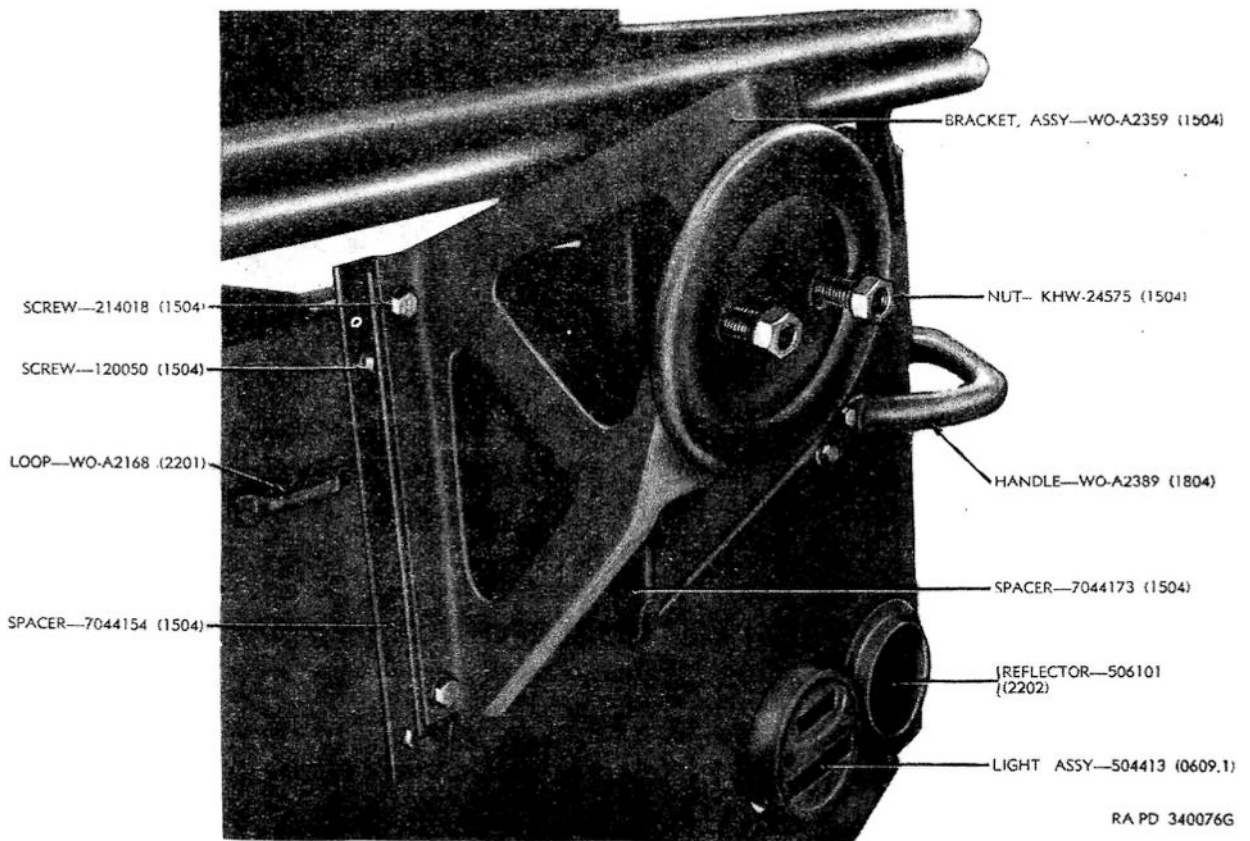


Figure 15-3. Spare wheel carrier.

| (1) NOTE SYMBOL | (2) STOCK NO. | (3) ORDNANCE PART NO. | (4) MFR'S PART NO. | (5) FIGURE NO. | (6) NOMENCLATURE | (7) UNIT OF MEAS- URE | (8) QUAN- TITY PER UNIT ASSEM- BLY |
|-----------------------|------------------|-----------------------------|-----------------------|-------------------|---------------------------------------------------------------------|-----------------------------------|------------------------------------------------------|
| | | | | | GROUP 15—FRAME | | |
| | | | | | 1501—FRAME ASSEMBLY | | |
| | | | WO-A1152 | | BRACE, machine gun mounting plate | ea | 4 |
| | | | FM-GPW5181 | 15-1 | BRACE, pintle to frame | ea | 1 |
| | | | WO-A1431 | | BRACKET, body support, rear (Willys) | ea | 2 |
| | | | WO-A1283 | | BRACKET, brake front hose (frame end) | ea | 1 |
| | | | FM-GPW2073 | | | | |
| | | | WO-A1341 | | BRACKET, brake master cylinder, assy | ea | 1 |
| | | | FM-GPW5095 | | | | |
| | | | WO-A185 | 15-1 | BRACKET, brake pedal retracting spring | ea | 1 |
| | | | FM-GPW5113 | | | | |
| | | | WO-638809 | | BRACKET, brake rear hose (Willys only) | ea | 1 |
| | | | FM-GPW6030 | 15-1 | BRACKET, engine support, front, left (Ford only) | ea | 1 |
| | | | WO-A420 | | BRACKET, engine support, front, left, lower half (Willys only). | ea | 1 |
| | | 7743589 | WO-A418 | | BRACKET, engine support, front, left, upper half (Willys only). | ea | 1 |
| | | | FM-GPW6029 | 15-1 | BRACKET, engine support, front, right (Ford only). | ea | 1 |
| | | | WO-A421 | | BRACKET, engine support, front, right, lower half (Willys only). | ea | 1 |
| | | | WO-A419 | | BRACKET, engine support, front, right, upper half (Willys only). | ea | 1 |
| | | | WO-A415 | 15-1 | BRACKET, front intermediate cross member, outer. | ea | 2 |
| | | | FM-GPW5106 | | | | |
| | | | WO-A1514 | 15-1 | BRACKET, radiator guard support (Willys) | ea | 1 |
| | | | FM-99A5090 | | BRACKET, radiator guard support (Ford) | ea | 1 |
| | | | WO-A1201 | 15-1 | BRACKET, radiator guard support, side | ea | 2 |
| | | | FM-GPW5057 | | | | |
| | | | FM-GPW5072 | 15-1 | BRACKET, radiator support (Ford) | ea | 2 |
| | | | WO-A1202 | | BRACKET, radiator support, left (Willys) | ea | 1 |
| | | | WO-A508 | | BRACKET, radiator support, right (Willys) | ea | 1 |
| G-9 | G503-7341767 | 7341767 | WO-A1204 | 15-1 | BRACKET, shock absorber, front, left, w/SHAFT, assy. | ea | 1 |
| | | | FM-GPW18041 | | | | |
| G-9 | G503-7341768 | 7341768 | WO-A1205 | 15-1 | BRACKET, shock absorber, front, right, w/SHAFT, assy. | ea | 1 |
| | | | FM-GPW18040 | | | | |
| G-9 | G503-7743691 | 7743691 | FM-GPW18075 | 15-1 | BRACKET, shock absorber, rear, w/SHAFT, assy (Ford). | ea | 2 |

| (1) NOTE SYMBOL | (2) STOCK NO. | (3) ORDNANCE PART NO. | (4) MFR'S PART NO. | (5) FIGURE NO. | (6) NOMENCLATURE | (7) UNIT OF MEAS- URE | (8) QUAN- TITY PER UNIT ASSEM- BLY |
|--------------------------------------|------------------|-----------------------------|--------------------------------------|-------------------|---------------------------------------------------------------------------------|-----------------------------------|------------------------------------------------------|
| GROUP 15—FRAME—Continued | | | | | | | |
| 1501—FRAME ASSEMBLY—Continued | | | | | | | |
| | G503-7341765 | 7341765 | WO-A484 | ----- | BRACKET, shock absorber, rear, left, w/SHAFT, assy (Willys). | ea | 1 |
| | G503-7341766 | 7341766 | WO-A485 | ----- | BRACKET, shock absorber, rear, right, w/SHAFT, assy (Willys) | ea | 1 |
| G-9 | G503-7697868 | 7697868 | WO-A500 FM-GPW5341 | 16-2 | BRACKET, spring pivot.----- | ea | 4 |
| G-9 | 3320 GPW5337 | ----- | WO-A544 FM-GPW5337 | 16-2 | BRACKET, spring shackle.----- | ea | 4 |
| G-9 | 3320 GPW5084 | ----- | WO-A6740 FM-GPW5084 FM-GPW5005 | 15-1 | CUP, retaining, transfer case support insulator (Also listed in group 0800). | ea | 1 |
| | | | FM-GPW5005B | ----- | FRAME, assy (Ford) (Superseded by FRAME, assy FM-GPW5005B). | ea | 1 |
| | | | WO-A1142 | ----- | FRAME, assy (Ford)----- | ea | 1 |
| | | | WO-A5415 | ----- | FRAME, assy (Willys)----- | ea | 1 |
| | | | | ----- | GUARD, exhaust pipe (Willys after Serial No. 120700). | ea | 1 |
| H-1 | H101-0118682 | 118682 | ----- | ----- | BOLT, carriage, rd-hd, sq-nk, S (w/o NUT) 3/8-16NC-2 x 7/8. | ea | 2 |
| H-1 | H001-4167581 | 120377 | ----- | ----- | NUT, hex, light, s-fin, S, cd or zn-pltd, 3/8-16NC-2. | ea | 2 |
| H-1 | H001-5027131 | 213928 | ----- | ----- | SCREW, cap, hex-hd, S, cd or zn-pltd, 3/8-24NF-2 x 1. | ea | 1 |
| H-1 | H001-7025741 | 120382 | ----- | ----- | WASHER, lock, med, S, cd or zn-pltd, 3/8 in. | ea | 3 |
| H-1 | H001-7043741 | 120394 | ----- | ----- | WASHER, plain, SAE std, S, cd or zn-pltd, 3/8 in. | ea | 3 |
| | | | WO-303922 | ----- | WASHER, plain, special, 3/8 in. (7/16 ID x 1 1/2 OD). | ea | 1 |
| G-9 | G503-7698448 | 7698448 | WO-A1129 FM-GPW17753 | ----- | GUSSET, front bumper, left, lower.----- | ea | 1 |
| G-9 | G503-7698450 | 7698450 | WO-A1127 FM-GPW17755 | 15-1 | GUSSET, front bumper, left, upper.----- | ea | 1 |
| G-9 | G503-7698449 | 7698449 | WO-A1130 FM-17752 | ----- | GUSSET, front bumper, right, lower.----- | ea | 1 |
| G-9 | G503-7740808 | 7740808 | WO-A1128 FM-17754 | 15-1 | GUSSET, front bumper, right, upper.----- | ea | 1 |

| | | | | | | | |
|-----|--------------|---------|-------------|------|------------------------------------------------------------------------------------------|----|----|
| G-9 | 9680-A1203 | | WO-A1203 | | MEMBER, cross, front (Willys only)----- | ea | 1 |
| G-9 | 3320-GPW5019 | | FM-GPW5019 | 15-1 | MEMBER, cross, front (Ford only)----- | ea | 1 |
| | | | WO-A5127 | 15-1 | MEMBER, cross, intermediate, front----- | ea | 1 |
| | | | FM-GPW5025 | | | | |
| H-1 | H001-4167601 | 120369 | | | NUT, hex, light, s-fin, S, cd or zn-pltd, $\frac{3}{8}$ -24NF-2. | ea | 6 |
| H-1 | H001-5027121 | 213925 | | | SCREW, cap, hex-hd, S, cd or zn-pltd, $\frac{3}{8}$ -24NF-2 x $\frac{7}{8}$ (Willys). | ea | 6 |
| H-1 | H001-5027131 | 213928 | | | SCREW, cap, hex-hd, S, cd or zn-pltd, $\frac{3}{8}$ -24NF-2 x 1 (Ford). | ea | 6 |
| H-1 | H001-7025741 | 120382 | | | WASHER, lock, med, S, cd or zn-pltd, $\frac{3}{8}$ in. | ea | 6 |
| H-1 | H001-7043741 | 120394 | | | WASHER, plain, SAE std, S, cd or zn-pltd, $\frac{3}{8}$ in. | ea | 6 |
| | | | WO-A1150 | 15-1 | MEMBER, cross, intermediate, rear----- | ea | 1 |
| | | | FM-GPW5028 | | | | |
| | | | WO-A1153 | | MEMBER, cross, intermediate, rear (Willys only)----- | ea | 1 |
| | | | WO-A547 | 15-1 | MEMBER, cross, rear----- | ea | 1 |
| | | | FM-GPW5035 | | | | |
| | | | MSP-F2005 | | NUT, clinch, S, $\frac{1}{4}$ -28NF-2----- | ea | 2 |
| | | | WO-A668 | | | | |
| | | | MSP-F2009 | | NUT, clinch, S, $\frac{3}{8}$ -24NF-2----- | ea | 11 |
| | | | WO-A549 | | | | |
| | | | MSP-F2007 | | NUT, clinch, S, $\frac{3}{8}$ -24NF-2----- | ea | 5 |
| | | | WO-A548 | | | | |
| G-9 | G503-7697870 | 7697870 | WO-A637 | 15-1 | OUTRIGGER, body----- | ea | 4 |
| | | | FM-GPW5077 | | | | |
| | | | WO-A1151 | 15-1 | PLATE, mounting, machine gun----- | ea | 1 |
| | | | FM-GPW5125 | | | | |
| | | | WO-A534 | | PLATE, reinforcement, rear----- | ea | 1 |
| | | | FM-GPW5097 | | | | |
| G-9 | G503-7697869 | 7697869 | WO-A1253 | | PLATE, skid, exhaust pipe guard (under frame) (used w/external contracting hand brakes). | ea | 1 |
| | | | FM-GPW5291B | | | | |
| H-1 | H101-0118682 | 118682 | | | BOLT, carriage, rd-hd, sq-nk, S (w/o nut) $\frac{3}{8}$ -16NC-2 x $\frac{7}{8}$. | ea | 4 |
| H-1 | H001-4167581 | 120377 | | | NUT, hex, light, s-fin, S, cd or zn-pltd, $\frac{3}{8}$ -16NC-2. | ea | 4 |
| H-1 | H001-7025741 | 120382 | | | WASHER, lock, med, S, cd or zn-pltd, $\frac{3}{8}$ in. | ea | 4 |
| H-1 | H001-7043741 | 120394 | | | WASHER, plain, SAE std, S, cd or zn-pltd, $\frac{3}{8}$ in. | ea | 4 |
| | | | WO-A8858 | | PLATE, skid, exhaust pipe guard (under frame) (used w/internal expanding hand brakes). | ea | 1 |
| H-1 | H101-0118682 | 118682 | | | BOLT, carriage, rd-hd, sq-nk, S (w/o NUT) $\frac{3}{8}$ -16NC-2 x $\frac{7}{8}$. | ea | 4 |
| H-1 | H001-5027131 | 213928 | | | SCREW, cap, hex-hd, S, cd or zn-pltd, $\frac{3}{8}$ -24NF-2 x 1. | ea | 1 |

| (1) NOTE SYMBOL | (2) STOCK NO. | (3) ORDNANCE PART NO. | (4) MFR'S PART NO. | (5) FIGURE NO. | (6) NOMENCLATURE | (7) UNIT OF MEAS- URE | (8) QUAN- TITY PER UNIT ASSEM- BLY |
|--------------------------------------|------------------|-----------------------------|-----------------------------------|-------------------|--------------------------------------------------------------------|-----------------------------------|------------------------------------------------------|
| GROUP 15—FRAME—Continued | | | | | | | |
| 1501—FRAME ASSEMBLY—Continued | | | | | | | |
| H-1 | H001-4167581 | 120377 | ----- | ----- | NUT, hex, light, s-fin, S, cd or zn-pltd, 3/8-16NC-2. | ea | 4 |
| H-1 | H001-7025741 | 120382 | ----- | ----- | WASHER, lock, med, S, cd or zn-pltd, 3/8 in. | ea | 4 |
| H-1 | H001-7043741 | 120394 | ----- | ----- | WASHER, plain, SAE std, S, cd or zn-pltd, 3/8 in. | ea | 4 |
| | | | WO-303922 | ----- | WASHER, plain, special, 3/8 in. (3/16 ID x 1 1/2 OD). | ea | 1 |
| | | | FM-GPW5016 | ----- | RAIL, side, left | ea | 1 |
| | | | FM-GPW5015 | ----- | RAIL, side, right | ea | 1 |
| | | | WO-A1120 | ----- | SPACER, front bumper gusset | ea | 2 |
| | | | FM-GPW17759 | ----- | | | |
| | | | WO-A416 | ----- | SPACER, front intermediate cross member side bracket. | ea | 2 |
| G-9 | G503-7697854 | 7697854 | FM-GPW5452 | 15-1 | TRAY, battery (Ford) | ea | 1 |
| | G503-7697854 | 7697854 | WO-A1138 | ----- | TRAY, battery (Willys, before Serial No. 120700) | ea | 1 |
| | G503-7744585 | 7744585 | WO-A5181 | ----- | TRAY, battery (Willys, after Serial No. 120700) | ea | 1 |
| 1503—PINTLE ASSEMBLY | | | | | | | |
| G-9 | G529-7010531 | 7010531 | WO-A6393 FM-GPW5186 | 15-2 | BOLT, eye, S, cd, 1 1/4 eye, 1/2-13NC-2 x 1 1/2 (safety chain). | ea | 2 |
| H-1 | H001-4167661 | 120378 | ----- | 15-2 | NUT, hex, light, s-fin, S, cd or zn-pltd, 1/2- 13NC-2. | ea | 2 |
| H-1 | H001-7025801 | 120384 | ----- | 15-2 | WASHER, lock, med, S, cd or zn-pltd, 1/2 in. | ea | 2 |
| G-9 | G179-7062002 | 7062002 | HLH-T63 | 15-2 | LATCH, pintle lock | ea | 1 |
| G-9 | G179-7062001 | 7062001 | HLH-T62XA | 15-2 | LOCK, hook | ea | 1 |
| H-1 | H001-1013056 | 217041 | HLH-T64A | 15-2 | BOLT, hex-hd, S, 1/16-14NC-2 x 1 3/4 | ea | 1 |
| H-1 | H001-4185620 | 114504 | HLH-T65A | ----- | NUT, jam, hex, light, s-fin, S, 1/16-14NC-2 | ea | 1 |
| H-1 | H001-1518010 | 103322 | HLH-T62 | ----- | WASHER, lock, med, S, 1/16 in. | ea | 1 |
| G-9 | G240-7326316 | 7326316 | HLH-T67 | 15-2 | PIN, pivot, latch | ea | 1 |
| G-9 | 4410-T60B | ----- | HLH-T60B WO-A593 FM-GPW5182 | ----- | PINTLE, assy (Does not include eye BOLTS and attaching parts). | ea | 1 |
| H-1 | H001-4171641 | 121949 | ----- | 15-2 | NUT, hex, light, s-fin, S, cd or zn-pltd, 1/16-20NF-3. | ea | 2 |

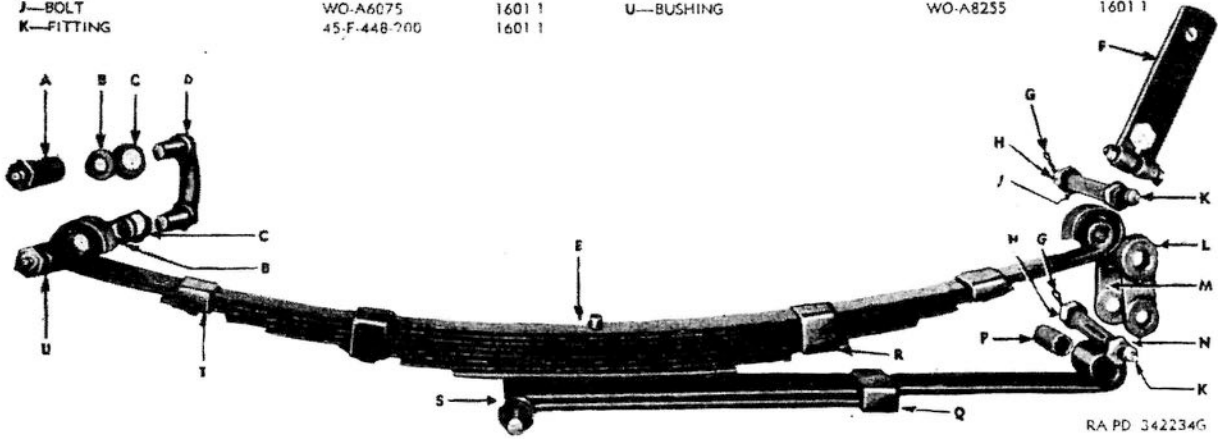
| | | | | | | | |
|---------------------------------|--------------|---------|-----------------------------------|-------|----------------------------------------------------------------------------|----|---|
| H-1 | H001-5456941 | 181667 | ----- | 15-2 | SCREW, cap, hex-hd, S, cd or zn-pltd, 1/16-20NF-3 x 1 1/8. | ea | 2 |
| H-1 | H101-0131100 | 131100 | ----- | 15-2 | WASHER, lock, heavy, S, cd or zn-pltd, 1/16 in. | ea | 2 |
| G-9 | G240-7326315 | 7326315 | HLH-78 | ----- | SPRING, lock latch | ea | 1 |
| 1504-SPARE WHEEL CARRIER | | | | | | | |
| G-9 | G503-7099909 | 7099909 | WO-A2359 FM-GPW1433B | 15-3 | BRACKET, carrier, spare wheel, assy | ea | 1 |
| H-1 | H001-4167541 | 120376 | ----- | ----- | NUT, hex, light, s-fin, S, cd or zn-pltd, 1/16-18NC-2. | ea | 4 |
| H-1 | H001-5026111 | 214018 | ----- | 15-3 | SCREW, cap, hex-hd, S, cd or zn-pltd, 1/16-18NC-2 x 3/8. | ea | 2 |
| H-1 | H101-0216933 | 216933 | ----- | ----- | SCREW, cap, hex-hd, S, cd or zn-pltd, 1/16-18NC-2 x 1 1/4. | ea | 2 |
| H-1 | H001-7025711 | 120214 | ----- | ----- | WASHER, lock, med, S, cd or zn-pltd, 1/16 in. | ea | 4 |
| | | | WO-A11701 | ----- | BRACKET, spare wheel, lower (for 6.00 x 16 tires). | ea | 1 |
| | | 7044167 | ----- | ----- | BRACKET, spare wheel, lower (for 7.50 x 16 tires). | ea | 1 |
| H-1 | H001-4167581 | 120377 | ----- | ----- | NUT, hex, light, s-fin, S, cd or zn-pltd, 3/8-16NC-2. | ea | 2 |
| H-1 | H001-5026731 | 213600 | ----- | ----- | SCREW, cap, hex-hd, S, cd or zn-pltd, 3/8-16NC-2 x 3/8. | ea | 2 |
| H-1 | H001-7025741 | 120382 | ----- | ----- | WASHER, lock, med, S, cd or zn-pltd, 3/8 in. | ea | 2 |
| H-1 | H001-7043741 | 120394 | ----- | ----- | WASHER, plain, SAE std, S, cd or zn-pltd, 3/8 in. | ea | 2 |
| M-5 | G503-0314839 | A232405 | KHW-24575 WO-A476 FM-GP1012 | 15-3 | NUT, special, hex, S, 1/2-20NF-2, RH thread (for mounting spare wheel). | ea | 2 |
| | | 7044154 | ----- | 15-3 | SPACER, bracket left, (used w/7.50 x 16 tires only). | ea | 1 |
| | | 7044173 | ----- | 15-3 | SPACER, bracket, right (used w/7.50 x 16 tires only). | ea | 1 |
| H-1 | H001-4171545 | 123208 | ----- | ----- | NUT, hex, light, s-fin, S, phos-ctd, 1/16- 18NC-3. | ea | 4 |
| | | 120050 | ----- | 15-3 | SCREW, cap, hex-hd, S, phos-ctd, 1/16- 18NC-3 x 3/4. | ea | 4 |
| H-1 | H101-0116120 | 116120 | ----- | ----- | WASHER, lock, med, S, phos-ctd, 1/16 in. | ea | 4 |

KEY ITEM
 A—BUSHING
 B—SEAL
 C—RETAINER
 D—BOLT
 E—SPRING, ASSY
 F—LOCK, ASSY
 G—PIN
 H—NUT
 J—BOLT
 K—FITTING

PART NO. GROUP
 WO-A8256 1601.1
 WO-A515 1601.1
 WO-A1252 1601.1
 WO-A513 1601.1
 WO-A612 1601
 WO-A6326 1601.1
 103374 1601.1
 WO-6436 1601.1
 WO-A6075 1601.1
 45-F-44B-700 1601.1

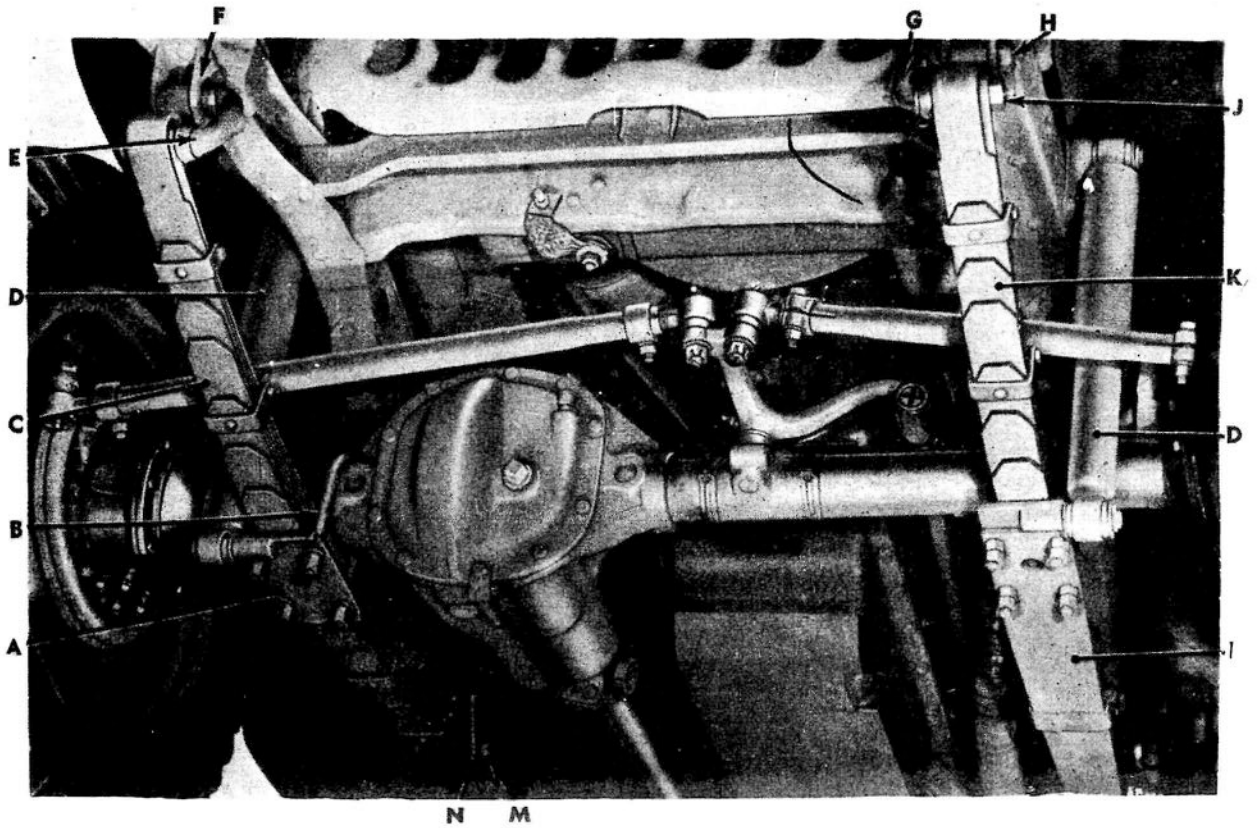
KEY ITEM
 L—SHACKLE, ASSY
 M—SHACKLE, ASSY
 N—BOLT
 P—BUSHING
 Q—CLIP
 R—CLIP
 S—SPRING, ASSY
 T—CLIP
 U—BUSHING

PART NO. GROUP
 WO-A6069 1602
 WO-A6068 1602
 WO-A6074 1602
 WO-A6067 1602
 WO-A6169 1602
 WO-116460 1601
 WO-A6066 1602
 WO-116458 1601
 WO-A8255 1601.1



RA PD 342234G

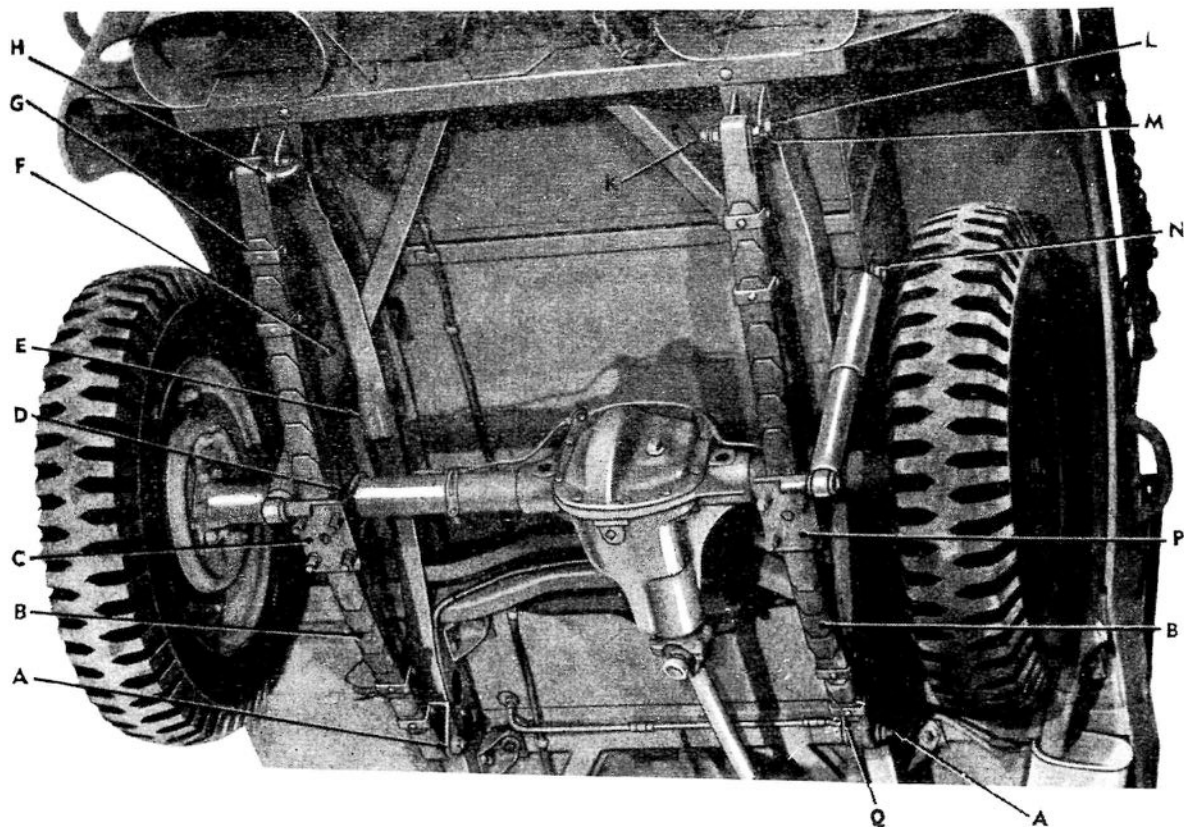
Figure 16-1. Front left spring assembly



| KEY ITEM | PART NO. | GROUP |
|------------------|-----------|--------|
| A—PLATE, ASSY | WO-A568 | 1601 1 |
| B—CLIP | WO-A574 | 1601 1 |
| C—SPRING, ASSY | WO-A613 | 1601 |
| D—ABSORBER, ASSY | MAE-11465 | 1604 |
| E—BOLT | WO-A514 | 1601 1 |
| F—BRACKET | WO-A544 | 1501 |
| G—BOLT | WO-A513 | 1601 1 |
| H—BUSHING | WO-A8256 | 1601 1 |
| J—BUSHING | WO-A8255 | 1601 1 |
| K—SPRING, ASSY | WO-A612 | 1601 |
| L—SPRING, ASSY | WO-A6066 | 1602 |
| M—BOLT | WO-384228 | 1601 1 |
| N—BRACKET | WO-A500 | 1501 |

RA PD 329205G

Figure 16-2. Front spring and shock absorbers, installed.



KEY ITEM

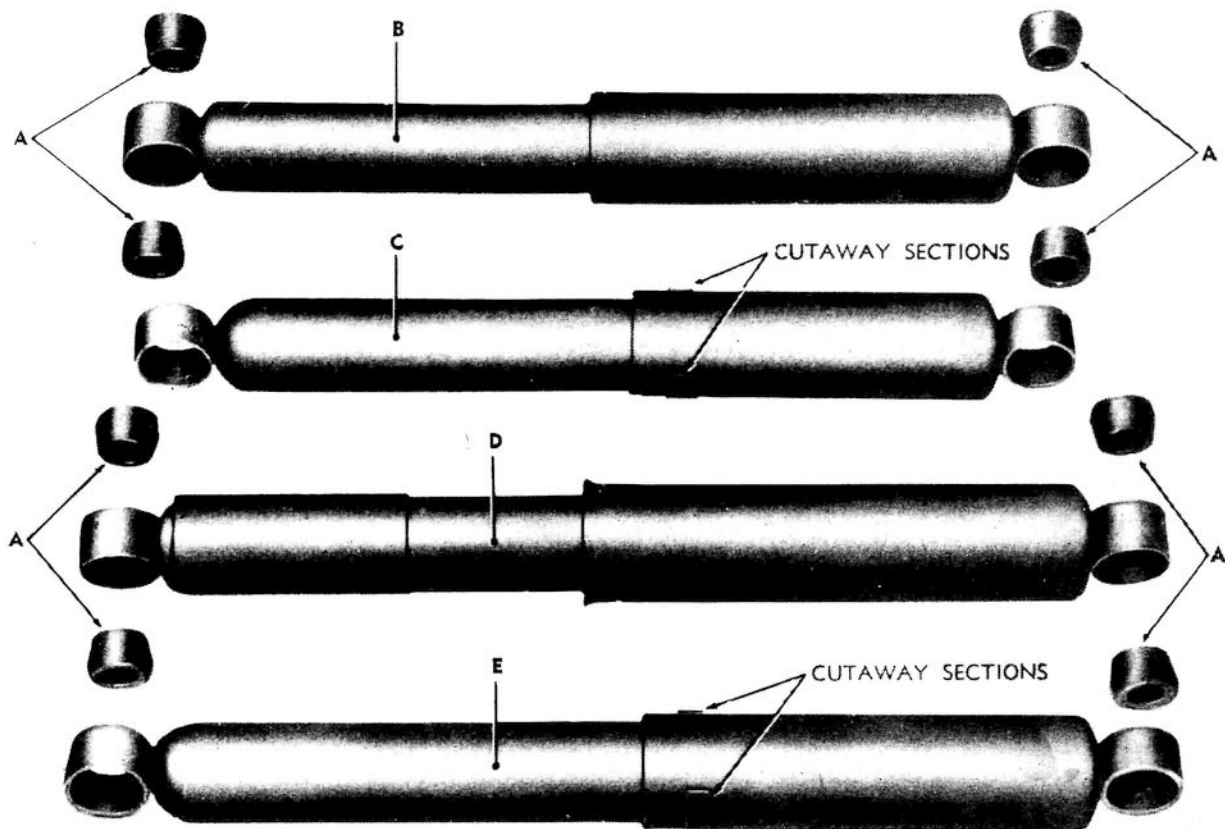
A—BOLT
 B—SPRING, ASSY
 C—PLATE, ASSY
 D—CLIP
 E—BUMPER
 F—ABSORBER, ASSY
 G—CLIP
 H—BOLT
 J—BUMPERETTE
 K—BOLT
 L—BUSHING
 M—BUSHING
 N—WASHER
 P—PLATE, ASSY
 Q—CLIP

PART NO.
 WO-384228
 WO-A614
 WO-A571
 WO-A575
 WO-A481
 MAE-11466
 WO-116459
 WO-A514
 WO-A1157
 WO-A513
 WO-A8256
 WO-A8255
 WO-A227
 WO-A572
 WO-116589

GROUP
 1601.1
 1601
 1601.1
 1601.1
 1604
 1604
 1601
 1601.1
 2101
 1601.1
 1601.1
 1601.1
 1604
 1601.1
 1601

RA PD 329206G

Figure 16-3. Rear spring and shock absorbers, installed.



KEY ITEM

- A—BUSHING
- B—ABSORBER
- C—ABSORBER
- D—ABSORBER
- E—ABSORBER

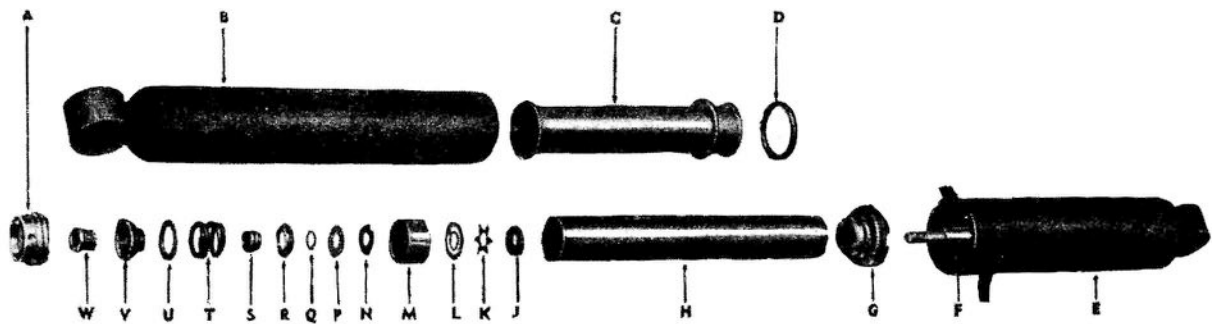
PART NO.

- HP-779
- WO-A169
- MAE-11465
- WO-A170
- MAE-11466

ALL PARTS LISTED IN GROUP 1604

RA PD 28870G

Figure 16-4. Shock absorbers assembly.



KEY ITEM

- A—VALVE, ASSY
- B—{BASE, FRONT
{BASE, REAR
- C—{SLEEVE, ASSY FRONT
{SLEEVE, ASSY REAR
- D—GASKET
- E—{HEAD, ASSY FRONT
{HEAD, ASSY REAR
- F—{ROD, FRONT
{ROD, REAR
- G—GUIDE & HEAD ASSY
- H—{TUBE, FRONT
{TUBE, REAR
- J—WASHER

PART NO.

- MAE-83C1
- {MAE-12626
{MAE-12627
- {MAE-12468
{MAE-12469
- MAE-10875
- {MAE-12628
{MAE-12629
- {MAE-12622
{MAE-12623
- MAE-12507
- {MAE-12620
{MAE-12621
- MAE-10906A

KEY ITEM

- K—SPRING
- L—VALVE
- M—PISTON
- N—{SPACER, FRONT
{SPACER, REAR
- P—DISK
- Q—PLATE
- R—SEAT
- S—BUSHING
- T—SPRING
- U—WASHER
- V—PLATE
- W—NUT

PART NO.

- MAE-10639B
- MAE-10640B
- MAE-10966
- {MAE-10863-2
{MAE-10863-1
- MAE-10849-6
- MAE-10856-8
- MAE-10855
- MAE-12448
- MAE-12463
- MAE-12464
- MAE-12631
- MAE-12449

ALL PARTS LISTED IN GROUP 1604.

RA PD 329198G

Figure 16-5. Shock absorber—exploded view.

| (1) NOTE SYMBOL | (2) STOCK NO. | (3) ORDNANCE PART NO. | (4) MFR'S PART NO. | (5) FIGURE NO. | (6) NOMENCLATURE | (7) UNIT OF MEAS- URE | (8) QUAN- TITY PER UNIT ASSEM- BLY |
|---------------------------------------------|------------------|-----------------------------|----------------------------------------|-------------------|---------------------------------------------------------------------------------------------------------------|-----------------------------------|------------------------------------------------------|
| GROUP 16—SPRINGS AND SHOCK ABSORBERS | | | | | | | |
| 1601—AXLE SPRINGS | | | | | | | |
| G-9 | 0340-14384 | ----- | WO-116609 FM-GPW5345A | ----- | BOLT, center, front spring (S, $\frac{5}{16}$ -18NC x 2.03) (for 8 leaf Spring). | ea | 2 |
| G-9 | 3320-GPW5333A | ----- | WO-116711 FM-GPW5333A | ----- | BOLT, center, front spring, w/NUT, assy (S, $\frac{5}{16}$ -24NF x 2 $\frac{3}{4}$) (for 10 leaf spring). | ea | 2 |
| G-9 | 3320-GPW5345B | ----- | WO-116610 FM-GPW5345B | ----- | BOLT, center, rear spring (S, $\frac{5}{16}$ -18NC x 2.35) (for 9 leaf spring). | ea | 2 |
| G-9 | 3320-GPW5333B | ----- | WO-116716 FM-GPW5333B | ----- | BOLT, center, rear spring, w/NUT, assy (S, $\frac{5}{16}$ -24NF x 2 $\frac{3}{4}$) (for 11 leaf spring). | ea | 2 |
| G-9 | 3320-GPW5781 | ----- | WO-359039 FM-GPW5781 FM-GPW5781A | ----- | BUSHING, spring eye (0.565 ID x 0.753 OD x 1.68 lgb). | ea | 4 |
| G-9 | 0340-14386 | ----- | WO-116460 FM-GPW5330B | 16-1 | CLIP, front spring leaf, large----- | ea | 4 |
| G-9 | 0340-14385 | ----- | WO-116458 FM-GPW5330A | 16-1 | CLIP, front spring leaf, small----- | ea | 4 |
| G-9 | 3320-GPW5724B | ----- | WO-116589 FM-GPW5724B | 16-3 | CLIP, rear spring leaf, large----- | ea | 4 |
| G-9 | 3320-GPW5724A | ----- | WO-116459 FM-GPW5724A | 16-3 | CLIP, rear spring leaf, small----- | ea | 4 |
| H-1 | H001-4183521 | 122166 | ----- | ----- | NUT, jam, hex, light, s-fin, S, cd or zn-pltd, $\frac{1}{4}$ -28NF-3. | ea | 16 |
| H-1 | H001-0924143 | 102677 | ----- | ----- | RIVET, b-hd, S, $\frac{1}{4}$ x $\frac{5}{16}$ ----- | ea | 16 |
| H-1 | H101-0124053 | 124053 | ----- | ----- | SCREW, cap, hex-hd, S, cd or zn-pltd, $\frac{1}{4}$ -28NF-3 x 2. | ea | 16 |
| H-1 | H101-0123197 | 123197 | ----- | ----- | NUT, hex, light, s-fin, S, cd or zn-pltd. $\frac{5}{16}$ -18NC-3 (for spring center bolt). | ea | 4 |
| | G503-0389792 | ----- | WO-A612 FM-GPW5311 | 16-1, 2 | SPRING, front, left, 8 leaf, assy----- | ea | 1 |
| | | | | | Consists of center BOLT and NUT, CLIPS, and the following: | | |
| G-9 | 0340-14375 | ----- | WO-A612-1 FM-GPW5313B | ----- | LEAF, No. 1, w/BUSHING, assy (36 $\frac{1}{4}$ between eye centers). | ea | 1 |
| G-9 | 0340-14376 | ----- | WO-A612-2 FM-GPW5315B | ----- | LEAF, No. 2 (36 $\frac{1}{4}$ long)----- | ea | 1 |
| G-9 | 3320-GPW5316B | ----- | WO-A612-3 FM-GPW5316B | ----- | LEAF, No. 3 (30 long)----- | ea | 1 |

| (1) NOTE SYMBOL | (2) STOCK NO. | (3) ORDNANCE PART NO. | (4) MFR'S PART NO. | (5) FIGURE NO. | (6) NOMENCLATURE | (7) UNIT OF MEAS- URE | (8) QUAN- TITY PER UNIT ASSEM- BLY |
|-----------------------|------------------|-----------------------------|--------------------------|-------------------|-----------------------------------------------------------------------------------------------------------------------------|-----------------------------------|------------------------------------------------------|
| | | | | | GROUP 16—SPRINGS AND SHOCK ABSORBERS— Continued | | |
| | | | | | 1601—AXLE SPRINGS—Continued | | |
| | | | | | SPRING—Continued | | |
| | | | WO-A612-4 FM-GPW5317B | ----- | LEAF, No. 4 (26 long)----- | ea | 1 |
| | | | WO-A612-5 FM-GPW5318B | ----- | LEAF, No. 5 (23 long)----- | ea | 1 |
| | | | WO-A612-6 FM-GPW5319B | ----- | LEAF, No. 6 (18 long)----- | ea | 1 |
| | | | WO-A612-7 FM-GPW5320B | ----- | LEAF, No. 7 (14 long)----- | ea | 1 |
| | | | WO-A612-8 FM-GPW5321B | ----- | LEAF, No. 8 (10 long)----- | ea | 1 |
| G-9 | 3320-GPW5310B | ----- | WO-A8463 FM-GPW5310B | ----- | SPRING, front, left or right, 10 leaf, assy----- | ea | 2 |
| | | | WO-A8463-1 | ----- | Consists of center BOLT and NUT, CLIPS, and the following: LEAF, No. 1, w/BUSHING, assy (36¼ between eye centers). | ea | 2 |
| | | | WO-A8463-2 | ----- | LEAF, No. 2 (36¼ between eye centers) | ea | 2 |
| | | | WO-A8463-3 | ----- | LEAF, No. 3 (32 long)----- | ea | 2 |
| | | | WO-A8463-4 | ----- | LEAF, No. 4 (28½ long)----- | ea | 2 |
| | | | WO-A8463-5 | ----- | LEAF, No. 5 (25 long)----- | ea | 2 |
| | | | WO-A8463-6 | ----- | LEAF, No. 6 (21⅛ long)----- | ea | 2 |
| | | | WO-A8463-7 | ----- | LEAF, No. 7 (19½ long)----- | ea | 2 |
| | | | WO-A8463-8 | ----- | LEAF, No. 8 (15 long)----- | ea | 2 |
| | | | WO-A8463-9 | ----- | LEAF, No. 9 (11½ long)----- | ea | 2 |
| | | | WO-A8463-10 | ----- | LEAF, No. 10 (8⅞ long)----- | ea | 2 |
| | G503-0389793 | ----- | WO-A613 FM-GPW5310 | 16-2 | SPRING, front, right, 8 leaf, assy----- | ea | 1 |
| | | | | | Consists of center BOLT and NUT, CLIPS and the following: | | |
| G-9 | 3320-GPW5313A | ----- | WO-A613-1 FM-GPW5313A | ----- | LEAF, No. 1, w/BUSHING, assy (36¼ between eye centers). | ea | 1 |
| G-9 | 3320-GPW5315A | ----- | WO-A613-2 FM-GPW5315A | ----- | LEAF, No. 2 (36¼ long)----- | ea | 1 |
| G-9 | 3320-GPW5316A | ----- | WO-A613-3 FM-GPW5316A | ----- | LEAF, No. 3 (30 long)----- | ea | 1 |

| | | | | | | |
|-----|---------------|--------------|------|--------------------------------------------------------------|----|---|
| | | WO-A613-4 | | LEAF, No. 4 (26 long)----- | ea | 1 |
| | | FM-GPW5317A | | | | |
| | | WO-A613-5 | | LEAF, No. 5 (23 long)----- | ea | 1 |
| | | FM-GPW5318A | | | | |
| | | WO-A613-6 | | LEAF, No. 6 (18 long)----- | ea | 1 |
| | | FM-GPW5319A | | | | |
| | | WO-A613-7 | | LEAF, No. 7 (14 long)----- | ea | 1 |
| | | FM-GPW5320A | | | | |
| | | WO-A613-8 | | LEAF, No. 8 (10 long)----- | ea | 1 |
| | | FM-GPW5321A | | | | |
| | G503-0389784 | WO-A614 | 16-3 | SPRING, rear, 9 leaf, assy----- | ea | 2 |
| | | FM-GPW5560 | | | | |
| | | | | Consists of center BOLT and NUT, CLIPS and the following: | | |
| G-9 | 3320-GPW5564 | WO-A614-1 | | LEAF, No. 1, w/BUSHING, assy (42 between eye centers). | ea | 2 |
| | | FM-GPW5563 | | | | |
| | | FM-GPW5564 | | | | |
| G-9 | 3320-GPW5565 | WO-A614-2 | | LEAF, No. 2 (42 long)----- | ea | 2 |
| | | FM-GPW5565 | | | | |
| G-9 | 3320-GPW5566 | WO-A614-3 | | LEAF, No. 3 (36 long)----- | ea | 2 |
| | | FM-GPW5566 | | | | |
| | | WO-A614-4 | | LEAF, No. 4 (32 long)----- | ea | 2 |
| | | FM-GPW5567 | | | | |
| | | WO-A614-5 | | LEAF, No. 5 (28 long)----- | ea | 2 |
| | | FM-GPW5568 | | | | |
| | | WO-A614-6 | | LEAF, No. 6 (23 long)----- | ea | 2 |
| | | FM-GPW5569 | | | | |
| | | WO-A614-7 | | LEAF, No. 7 (19 long)----- | ea | 2 |
| | | FM-GPW5570 | | | | |
| | | WO-A614-8 | | LEAF, No. 8 (15 long)----- | ea | 2 |
| | | FM-GPW5571 | | | | |
| | | WO-A614-9 | | LEAF, No. 9 (11 long)----- | ea | 2 |
| | | FM-GPW5572 | | | | |
| G-9 | 3320-GPW5560B | WO-A15728 | | SPRING, rear, 11 leaf, assy----- | ea | 2 |
| | | FM-GPW5560B | | | | |
| | | | | Consists of center BOLT and NUT, CLIPS and the following: | | |
| | | WO-A15728-1 | | LEAF, No. 1 (42 between eye centers)--- | ea | 2 |
| | | WO-A15728-2 | | LEAF, No. 2 (42 between eye centers)--- | ea | 2 |
| | | WO-A15728-3 | | LEAF, No. 3 (37 $\frac{7}{8}$ long)----- | ea | 2 |
| | | WO-A15728-4 | | LEAF, No. 4 (33 $\frac{1}{2}$ long)----- | ea | 2 |
| | | WO-A15728-5 | | LEAF, No. 5 (30 $\frac{3}{32}$ long)----- | ea | 2 |
| | | WO-A15728-6 | | LEAF, No. 6 (27 $\frac{3}{32}$ long)----- | ea | 2 |
| | | WO-A15728-7 | | LEAF, No. 7 (23 $\frac{1}{16}$ long)----- | ea | 2 |
| | | WO-A15728-8 | | LEAF, No. 8 (20 long)----- | ea | 2 |
| | | WO-A15728-9 | | LEAF, No. 9 (16 $\frac{1}{32}$ long)----- | ea | 2 |
| | | WO-A15728-10 | | LEAF, No. 10 (13 $\frac{1}{32}$ long)----- | ea | 2 |
| | | WO-A15728-11 | | LEAF, No. 11 (10 long)----- | ea | 2 |

| (1) NOTE SYMBOL | (2) STOCK NO. | (3) ORDNANCE PART NO. | (4) MFR'S PART NO. | (5) FIGURE NO. | (6) NOMENCLATURE | (7) UNIT OF MEAS- URE | (8) QUAN- TITY PER UNIT ASSEM- BLY |
|------------------------------------------------------------|------------------|-----------------------------|-------------------------|-------------------|-----------------------------------------------------------------------------------------------------------------------------------|-----------------------------------|------------------------------------------------------|
| GROUP 16—SPRINGS AND SHOCK ABSORBERS— Continued | | | | | | | |
| 1601.1—SHACKLES AND SPRING ATTACHING PARTS | | | | | | | |
| G-9 | 3320-GPW5608 | ----- | WO-A6075 FM-GPW5608 | 16-1 | BOLT, pivot, front left spring to shackle----- | ea | 1 |
| G-9 | 3320-GPW5468 | ----- | WO-384228 FM-GPW5468 | 16-2, 3 | BOLT, pivot, front right and rear left and right spring to shackle. | ea | 3 |
| H-1 | H101-0125375 | 125375 | WO-6436 FM-34033S18 | 16-1 | NUT, slotted, light, thick, s-fin, S, cd or zn-pltd. | ea | 4 |
| H-1 | H001-0811040 | 103374 | ----- | 16-1 | PIN, cotter, split, S, 3/32 x 1----- | ea | 4 |
| G-9 | 0340-14313 | ----- | WO-A513 FM-GPW5778 | 16-1, 2, 3 | BOLT, "U", spring shackle, LH thread (front end of front left spring and rear end of rear right spring). | ea | 2 |
| G-9 | 0340-14312 | ----- | WO-A514 FM-GPW5779 | 16-2, 3 | BOLT, "U", spring shackle, RH thread (front end of front right spring and rear end of rear left spring). | ea | 2 |
| G-9 | 3320-GPW5463 | ----- | WO-635532 FM-GPW5463 | ----- | BOLT, "U", spring to axle (See CLIP). BUSHING, spring shackle, LH thread, assy (Superseded by BUSHING WO-A8255). | ea | 2 |
| G-9 | 3320-GPW5463 | ----- | WO-A8255 FM-GPW5463B | 16-1, 2, 3 | BUSHING, spring shackle, LH thread (front end of front left spring and rear end of rear right spring). | ea | 2 |
| G-9 | 3320-GPW5464B | ----- | WO-634432 FM-GPW5464 | ----- | BUSHING, spring shackle, RH thread (Super- seded by BUSHING WO-A8256). | ea | 6 |
| G-9 | 3320-GPW5464B | ----- | WO-A8256 FM-GPW5464B | 16-1, 2, 3 | BUSHING, spring shackle, RH thread (front end of front right spring and rear end of rear left spring, also all frame ends). | ea | 6 |
| G-9 | 3320-GPW5705 | ----- | FM-GPW5705 | ----- | CLIP, spring to axle, left front and left right rear (Superseded by CLIP WO-A575). | ea | 6 |
| G-9 | 3320-GPW5705B | ----- | WO-A575 FM-GPW5705B | 16-3 | CLIP, spring to axle, left front and left and right rear (8 leaf left front and 9 leaf rear springs). | ea | 6 |
| G-9 | 3320-GPW5705C | ----- | WO-A8578 FM-GPW5705C | ----- | CLIP, spring to axle, left front and left and right rear (10 leaf left front and 11 leaf rear spring). | ea | 6 |
| G-9 | 3320-GPW5453 | ----- | WO-A574 FM-GPW5453 | 16-2 | CLIP, spring to axle, right front (8 leaf spring) (to axle). | ea | 1 |
| G-9 | 0340-14257 | ----- | WO-A6511 FM-GPW5455 | ----- | CLIP, spring to axle, right front (8 leaf spring) (to differential housing). | ea | 1 |

| | | | | | | | |
|-----|---------------|------------------|---------------------------------------|-------|------------------------------------------------------------------------------------------------------------------|----|----|
| G-9 | 3320-GPW5455B | ----- | WO-A8291 FM-GPW5455B | ----- | CLIP, spring to axle, right front (10 leaf spring) (to axle). | ea | 1 |
| G-9 | 3320-GPW5453B | ----- | WO-A8289 FM-GPW5453B | ----- | CLIP, spring to axle, right front (10 leaf spring) (to differential housing). | ea | 1 |
| G-9 | 3320-GPW5456 | ----- | WO-339372 FM-GPW5456 | ----- | NUT, special, hex, $\frac{3}{16}$ -20NF-2----- | ea | 16 |
| H-1 | H001-7025771 | 120383 | ----- | ----- | WASHER, lock, med, S, cd or zn-pltd, $\frac{7}{16}$ in. | ea | 16 |
| K-3 | 45-F-430 | 45-F-430 | ----- | ----- | FITTING, lubricating, hydraulic type, angle 90°, $\frac{1}{4}$ -28NS, male, length over-all $\frac{3}{4}$ in. | ea | 4 |
| K-3 | 45-F-448-200 | 45-F-448- 200 | ----- | 16-1 | FITTING, lubricating, hydraulic type, stght, $\frac{1}{8}$ -27NPT, male, length over-all $1\frac{1}{16}$ in. | ea | 2 |
| | G503-7697861 | 7697861 | WO-A6326 FM-GPW5601 | 16-1 | LOCK, spring shackle bolt, assy (front left spring) | ea | 1 |
| H-1 | H001-4167561 | 120368 | ----- | ----- | NUT, hex, light, s-fin, S, cd or zn-pltd, $\frac{5}{16}$ - 24NF-2. | ea | 1 |
| H-1 | H101-0214069 | 214069 | ----- | ----- | SCREW, cap, hex-hd, S, cd or zn-pltd, $\frac{5}{16}$ - 24NF-2 x 2. | ea | 1 |
| H-1 | H101-0214167 | 214167 | ----- | ----- | SCREW, cap, hex-hd, S, cd or zn-pltd, $\frac{7}{16}$ - 20NF-2 x $3\frac{3}{4}$. | ea | 1 |
| H-1 | H001-7017651 | 138485 | ----- | ----- | WASHER, lock, ext-teeth, reg, S, cd or zn- pltd, $\frac{5}{16}$ in. | ea | 1 |
| | G503-7697848 | 7697848 | WO-A571 FM-GPW5460 | 16-3 | PLATE, left rear spring seat, w/SHAFT, assy---- | ea | 1 |
| | G503-7697862 | 7697862 | WO-A568 FM-GPW5458 | 16-2 | PLATE, right front spring seat, w/SHAFT, assy-- | ea | 1 |
| | G503-7343076 | 7343076 | WO-A572 FM-GPW5459 | 16-3 | PLATE, right rear spring seat, w/SHAFT, assy--- | ea | 1 |
| G-9 | 0340-14409 | ----- | WO-A1252 FM-GPW5482 | 16-1 | RETAINER, grease seal, spring shackle----- | ea | 8 |
| G-9 | 0340-14408 | ----- | WO-A515 FM-GPW5481 | 16-1 | SEAL, grease, spring shackle----- | ea | 8 |
| | | | | | SHACKLE (See BOLT, "U"). | | |
| | | | | | 1602-TORQUE REACTION SPRING | | |
| G-9 | 3320-GPW5609 | ----- | WO-A6074 FM-GPW5609 | 16-1 | BOLT, pivot, torque reaction spring to shackle... | ea | 1 |
| H-1 | H101-0125375 | 125375 | WO-6436 FM-34033S18 | ----- | NUT, slotted, light, thick, s-fin, S, cd or zn- pltd, $\frac{5}{16}$ -18NF-2. | ea | 1 |
| H-1 | H001-0811040 | 103374 | ----- | ----- | PIN, cotter, split, S, $\frac{3}{32}$ x 1----- | ea | 1 |
| G-9 | 3320-GPW5604 | ----- | WO-A6072 FM-GPW5604 FM-GPW5604A | ----- | BUSHING, inner shackle----- | ea | 1 |
| G-9 | 3320-GPW5607 | ----- | WO-A6073 FM-GPW5607 FM-GPW5607A | ----- | BUSHING, outer shackle----- | ea | 1 |

| (1) NOTE SYMBOL | (2) STOCK NO. | (3) ORDNANCE PART NO. | (4) MFR'S PART NO. | (5) FIGURE NO. | (6) NOMENCLATURE | (7) UNIT OF MEAS- URE | (8) QUAN- TITY PER UNIT ASSEM- BLY |
|------------------------------------------------------------|------------------|-----------------------------|---------------------------------------|-------------------|-------------------------------------------------------------------------------------------------------------------------|-----------------------------------|------------------------------------------------------|
| GROUP 16—SPRINGS AND SHOCK ABSORBERS— Continued | | | | | | | |
| 1602—TORQUE REACTION SPRING—Continued | | | | | | | |
| G-9 | 3320-GPW5610 | ----- | WO-A6067 FM-GPW5610 | 16-1 | BUSHING, spring leaf eye. | ea | 1 |
| | G503-7697850 | 7697850 | WO-A6169 FM-GPW5611 | 16-1 | CLIP, spring leaf. | ea | 1 |
| G-9 | 3320-GPW5587B | ----- | FM-GPW5587B | ----- | LEAF, spring, No. 1 (Superseded by LEAF WO-A6861). | ea | 1 |
| G-9 | 3320-GPW5587 | ----- | WO-A6861 FM-GPW5587 | ----- | LEAF, spring, No. 1. | ea | 1 |
| G-9 | 3320-GPW5590 | ----- | FM-GPW5590 | ----- | LEAF, spring, No. 2 (Superseded by LEAF WO-A6168). | ea | 1 |
| G-9 | 3320-GPW5590B | ----- | WO-A6168 FM-GPW5590B | ----- | LEAF, spring, No. 2. | ea | 1 |
| G-9 | 3320-GPW5602 | ----- | WO-6068 FM-GPW5602 | 16-1 | SHACKLE, inner, w/BUSHING, assy. | ea | |
| G-9 | 3320-GPW5605 | ----- | WO-A6069 FM-GPW5605 | 16-1 | SHACKLE, outer, w/BUSHING, assy (Super- seded by SHACKLE WO-A6071). | ea | 1 |
| | G503-7697875 | 7697875 | WO-A6071 FM-GPW5606 | ----- | SHACKLE, outer, w/BUSHING, assy. | ea | 1 |
| G-9 | 3320-GPW5588 | ----- | WO-A6066 FM-GPW5588A FM-GPW5588 | 16-1, 2 | SPRING, torque reaction, assy (Consists of BUSHING, CLIP and two LEAVES). | ea | 1 |
| | | | | ----- | SPRING, torque reaction, assy (Consists of BUSHING, CLIP and two LEAVES) (Super- seded by SPRING, assy WO-A6066). | ea | 1 |
| 1604—AXLE BUMPERS AND SHOCK ABSORBERS | | | | | | | |
| G-9 | G503-7088715 | 7088715 | WO-A169 FM-GPW18045 | 16-4 | ABSORBER, shock, front, assy (Gabriel type) (Interchangeable w/ABSORBER, assy MAE- 11465). | ea | 2 |
| G-9 | G503 7088715 | 7088715 | MAE-11465 WO-A6902 | 16 2, 4 | ABSORBER, shock, front, assy (Monroe type) (Interchangeable w/ABSORBER, assy WO- A169). | ea | 2 |

| | | | | | | | |
|-----|--------------|---------|-------------------------------------|---------|---------------------------------------------------------------------------------------------|----|----|
| | G503-7703114 | 7703114 | WO-A170 FM-GPW18080 | 16-4 | ABSORBER, shock, rear, assy (Gabriel type) (Interchangeable w/ABSORBER, assy MAE-11466). | ea | 2 |
| | G503-7703114 | 7703114 | MAE-11466 WO-A6903 | 16-3, 4 | ABSORBER, shock, rear, assy (Monroe type) (Interchangeable w/ABSORBER, assy WO-A170). | ea | 2 |
| | | | MAE-12626 | 16-5 | BASE, shock absorber, front (Monroe type)----- | ea | 1 |
| | | | MAE-12627 | 16-5 | BASE, shock absorber, rear (Monroe type)----- | ea | 1 |
| | G503-7697860 | 7697860 | WO-A481 FM-GPW5783A | 16-3 | BUMPER, front and rear axle----- | ea | 4 |
| H-1 | H001-4171565 | 121923 | ----- | ----- | NUT, hex, light, s-fin, S, phos-ctd, 5/16-24NF-3- | ea | 8 |
| H-1 | H001-5419825 | 118772 | ----- | ----- | SCREW, cap, hex-hd, S, phos-ctd, 5/16-24NF-3 x 3/4. | ea | 8 |
| H-1 | H101-0116120 | 116120 | ----- | ----- | WASHER, lock, med, S, phos-ctd, 5/16 in. | ea | 8 |
| G-9 | G503-7343032 | 7343032 | FM-GPW18060 | ----- | BUSHING, shock absorber mounting pin, rubber (Superseded by BUSHING HP-779). | ea | 16 |
| G-9 | G503-7343032 | 7343032 | HP-779 WO-637936 FM-GPW18060A | 16-4 | BUSHING, shock absorber mounting pin, rubber.. | ea | 16 |
| | | | MAE-12448 | 16-5 | BUSHING, shock absorber rebound valve spring seat (Monroe type). | ea | 2 |
| | | | MAE-10849-6 | 16-5 | DISK, shock absorber rebound valve----- | ea | 2 |
| | | | MAE-10875 | 16-5 | GASKET, rubber, shock absorber rod guide (Monroe type). | ea | 2 |
| | | | MAE-10876A | ----- | GASKET, shock absorber, piston rod guide oil seal (Monroe type). | ea | 2 |
| | | | MAE-12507 | 16-5 | GUIDE, piston rod, shock absorber, w/SEAL, assy (Monroe type). | ea | 2 |
| | | | MAE-12628 | 16-5 | HEAD, shock absorber, front (Monroe type)----- | ea | 1 |
| | | | MAE-12629 | 16-5 | HEAD, shock absorber, rear (Monroe type)----- | ea | 1 |
| | | | MAE-12449 | 16-5 | NUT, shock absorber piston rod (Monroe type)--- | ea | 2 |
| | | | MAE-10966 | 16-5 | PISTON, shock absorber (Monroe type)----- | ea | 2 |
| | | | MAE-12631 | 16-5 | PLATE, adjusting, shock absorber (Monroe type). | ea | 2 |
| | | | MAE-10856-8 | 16-5 | PLATE, backing, shock absorber rebound valve disk (Monroe type). | ea | 2 |
| | | | MAE-12622 | 16-5 | ROD, piston, front shock absorber (Monroe type).. | ea | 1 |
| | | | MAE-12623 | 16-5 | ROD, piston, rear shock absorber (Monroe type).. | ea | 1 |
| | | | MAE-10950 | ----- | SEAL, oil, shock absorber piston rod guide (Monroe type). | ea | 2 |
| | | | MAE-10855 | 16-5 | SEAT, shock absorber rebound valve spring (Mon- roe type). | ea | 2 |
| | | | MAE-12468 | 16-5 | SLEEVE, shock absorber, front, assy (Monroe type). | ea | 1 |
| | | | MAE-12469 | 16-5 | SLEEVE, shock absorber, rear, assy (Monroe type). | ea | 1 |

| (1) NOTE SYMBOL | (2) STOCK NO. | (3) ORDNANCE PART NO. | (4) MFR'S PART NO. | (5) FIGURE NO. | (6) NOMENCLATURE | (7) UNIT OF MEAS- URE | (8) QUAN- TITY PER UNIT ASSEM- BLY |
|-----------------------|------------------|-----------------------------|---------------------------|-------------------|-----------------------------------------------------------------------------------------|-----------------------------------|------------------------------------------------------|
| | | | | | GROUP 16—SPRINGS AND SHOCK ABSORBERS— Continued | | |
| | | | | | 1604—AXLE BUMPERS AND SHOCK ABSORBERS—Continued | | |
| | | | MAE-10863-2 | 16-5 | SPACER, metering, front shock absorber rebound disk (Monroe type). | ea | 1 |
| | | | MAE-10863-1 | 16-5 | SPACER, metering, rear shock absorber rebound disk (Monroe type). | ea | 1 |
| | | | MAE-12463 | 16-5 | SPRING, rebound valve, shock absorber (Monroe type). | ea | 2 |
| | | | MAE-10639B | 16-5 | SPRING, shock absorber, intake valve (Monroe type). | ea | 2 |
| | | | MAE-12620 | 16-5 | TUBE, shock absorber pressure chamber, front (Monroe type). | ea | 1 |
| | | | MAE-12621 | 16-5 | TUBE, shock absorber pressure chamber, rear (Monroe type). | ea | 1 |
| | | | MAE-83C1 | 16-5 | VALVE, compression, shock absorber, assy (Monroe type). | ea | 2 |
| | | | MAE-10640B | 16-5 | VALVE, intake, shock absorber (Monroe type)---- | ea | 2 |
| | | | MAE-10906A | 16-5 | WASHER, piston support, shock absorber (Monroe type). | ea | 2 |
| | | | MAE-12464 | 16-5 | WASHER, shock absorber adjusting plate (Monroe type). | ea | 2 |
| G-9 | 3320-351505S | ----- | WO-A227 | 16-3 | WASHER, shock absorber mounting pin (plain, S, 5/8 in.) (Superseded by WASHER 7743812). | ea | 8 |
| | G503-7743812 | 7743812 | FM-351505S FM-351505S7 | ----- | WASHER, shock absorber mounting pin (plain, S, cd-pltd, 5/8 in.). | ea | 8 |

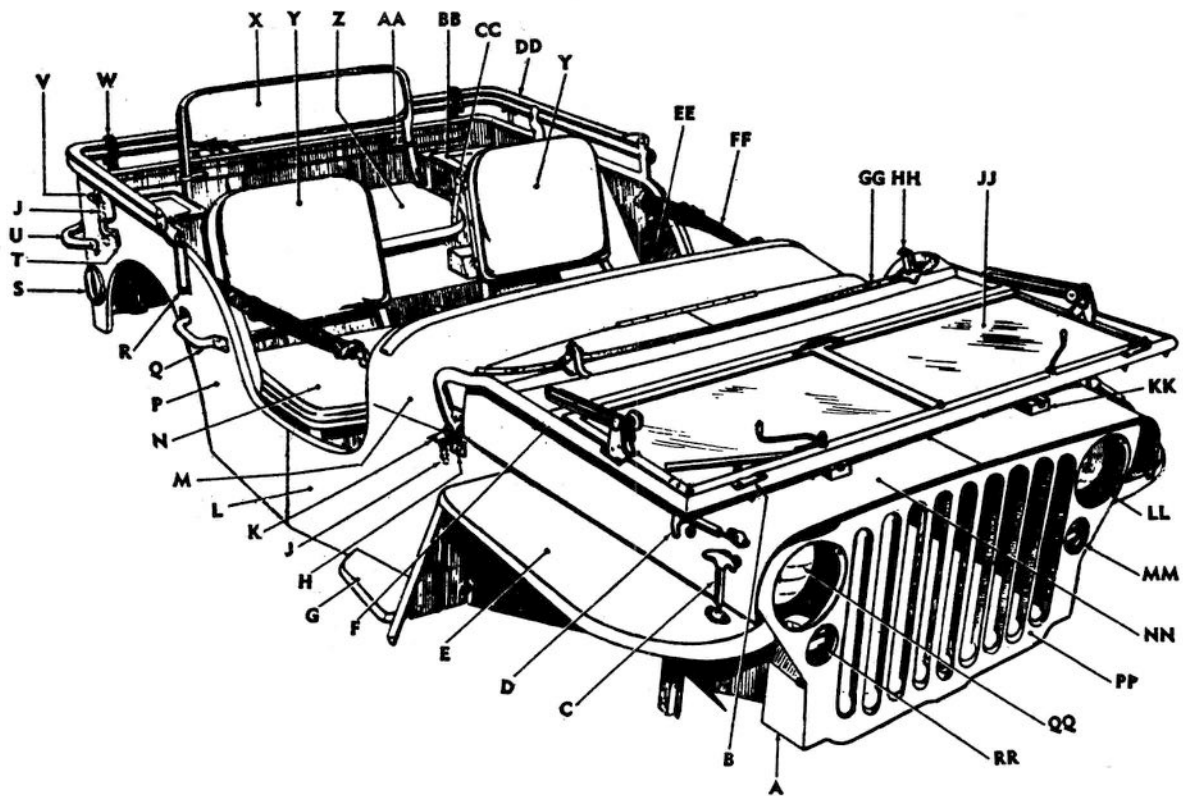
GROUP 17—FENDERS AND HOOD

1701—FENDERS

| | | | | | | | |
|-----|--------------|---------|-------------------------|------|-------------------------------------------------------------------------------------|----|----|
| | G503-7743877 | 7743877 | WO-A3159 FM-GPW16133 | | ANTISQUEAK, apron to frame----- | ea | 3 |
| | G503-7743875 | 7743875 | WO-A2662 FM-GPW16132 | | ANTISQUEAK, fender to cowl side panel, lower--- | ea | 2 |
| | G503-7743876 | 7743876 | WO-A3158 GM-GPW16159 | | ANTISQUEAK, fender to cowl side panel, upper-- | ea | 2 |
| | G503-7743848 | 7743848 | WO-A2841 FM-GPW16083 | | APRON, splash, left, fender, assy----- | ea | 1 |
| | G503-7743849 | 7743849 | WO-A2842 FM-GPW16082 | 18-1 | APRON, splash, right fender, assy----- | ea | 1 |
| H-1 | H001-5419821 | 120741 | | | SCREW, cap, hex-hd, S, cd or zn-pltd, $\frac{5}{16}$ - 24NF-3 x $\frac{3}{4}$. | ea | 1 |
| H-1 | H001-5421221 | 123520 | | | SCREW, cap, hex-hd, S, cd or zn-pltd, $\frac{3}{8}$ - 24NF-3 x $\frac{3}{4}$. | ea | 4 |
| H-1 | H001-7025711 | 120214 | | | WASHER, lock, med, S, cd or zn-pltd, $\frac{5}{16}$ in-- | ea | 1 |
| H-1 | H001-7025741 | 120382 | | | WASHER, lock, med S, cd or zn-pltd, $\frac{3}{8}$ in--- | ea | 4 |
| | | | WO-71633 FM-351370S2 | | WASHER, plain, special, S, phos-ctd, $\frac{5}{16}$ x 1 x $\frac{1}{16}$. | ea | 1 |
| H-1 | H001-7045591 | 120388 | | | WASHER, plain, U S std, S, cd or zn-pltd, $\frac{3}{8}$ in. | ea | 4 |
| | | | WO-A2843 FM-GPW16095 | | BRACE, left fender----- | ea | 1 |
| | | | WO-A2844 FM-GPW16094 | | BRACE, right fender----- | ea | 1 |
| H-1 | H101-0215547 | 215547 | | | SCREW, cap, hex-hd, S, cd or zn-pltd, $\frac{3}{8}$ - 24NF-2 x 1 $\frac{1}{2}$. | ea | 4 |
| H-1 | H001-7025741 | 120382 | | | WASHER, lock, med, S, cd or zn-pltd, $\frac{3}{8}$ in-- | ea | 4 |
| H-1 | H001-7045591 | 120388 | | | WASHER, plain, U S std, S, cd or zn-pltd, $\frac{3}{8}$ in. | ea | 4 |
| | | | WO-A3096 FM-GPW16128 | | BRACE, voltage regulator (on right fender)----- | ea | 2 |
| | G503-7743846 | 7743846 | WO-A2942 FM-GPW16006 | | FENDER, front left, w/splash APRON, assy----- | ea | 1 |
| | G503-7743847 | 7743847 | WO-A2943 FM-GPW16005 | 18-1 | FENDER, front right, w/splash APRON, assy---- | ea | 1 |
| H-1 | H001-4167541 | 120376 | | | NUT, hex, light, s-fin, S, cd or zn-pltd, $\frac{5}{16}$ - 18NC-2. | ea | 4 |
| H-1 | H101-0120373 | 120373 | | | NUT, sq, reg, unfin, S, cd or zn-pltd, $\frac{5}{16}$ - 18NC-2. | ea | 12 |

| (1) NOTE SYMBOL | (2) STOCK NO | (3) ORDNANCE PART NO. | (4) MFR'S PART NO. | (5) FIGURE NO. | (6) NOMENCLATURE | (7) UNIT OF MEAS- URE | (8) QUAN- TITY PER UNIT ASSEM- BLY |
|--------------------------------------------|-----------------|-----------------------------|-----------------------|-------------------|------------------------------------------------------------------------------------|-----------------------------------|------------------------------------------------------|
| GROUP 17—FENDERS AND HOOD—Continued | | | | | | | |
| 1701—FENDERS—Continued | | | | | | | |
| FENDER—Continued | | | | | | | |
| H-1 | H001-5026121 | 216921 | FM-353202S2 | | RETAINER, nut (for $\frac{5}{16}$ square nut)----- | ea | 12 |
| H-1 | H001-5026131 | 193990 | | | SCREW, cap, hex-hd, S, cd or zn-pltd, $\frac{5}{16}$ - 18NC-2 x $\frac{3}{4}$. | ea | 10 |
| H-1 | H001-7025711 | 120214 | | | SCREW, cap, hex-hd, S, cd or zn-pltd, $\frac{5}{16}$ - 18NC-2 x $\frac{3}{4}$. | ea | 6 |
| H-1 | H001-7045561 | 120387 | | | WASHER, lock, med, S, cd or zn-pltd, $\frac{5}{16}$ in. | ea | 10 |
| | | | | | WASHER, plain, US std, S, cd or zn-pltd, $\frac{5}{16}$ in. | ea | 6 |
| | | | WO-71633 | | WASHER, plain, special, S, phos-ctd, $\frac{5}{16}$ x 1 x $\frac{1}{16}$. | ea | 4 |
| | | | FM-351370S2 | | FILLER, fender brace (wood)----- | ea | 2 |
| | | | WO-A2891 | | NUT, clinch, $\frac{5}{16}$ -18NC-2 (on cowl side panel for front fender). | ea | 6 |
| | | | FM-GPW16105 | | NUT, clinch, $\frac{5}{16}$ -24NF-2 (on right fender for generator regulator). | ea | 4 |
| | | | WO-662010 | | | | |
| | | | FM-353202S | | | | |
| | | | WO-A2375 | | | | |
| | | | FM-350976S2 | | | | |
| 1703—HOOD | | | | | | | |
| G-9 | G503-7697851 | 7697851 | WO-A3059 | | BRACKET, hood catch----- | ea | 2 |
| | | | FM-GPW16684 | | | | |
| H-1 | H001-4167501 | 120375 | | | NUT, hex, light, s-fin, S, cd or zn-pltd, $\frac{1}{4}$ - 20NC-2. | ea | 4 |
| H-1 | H001-5025511 | 216915 | | | SCREW, cap, hex-hd, S, cd or zn-pltd, $\frac{1}{4}$ - 20NC-2 x $\frac{3}{8}$. | ea | 4 |
| H-1 | H001-7025681 | 120380 | | | WASHER, lock, med, S, cd or zn-pltd, $\frac{1}{4}$ in. | ea | 4 |
| H-1 | H001-7045531 | 120386 | | | WASHER, plain, US std, S, cd or zn-pltd, $\frac{1}{4}$ in. | ea | 4 |
| G-9 | G503-7698438 | 7698438 | WO-A3780 | 18-1 | BUMPER, windshield, hood top (wood)----- | ea | 2 |
| | | | FM-GTB16849A | | | | |
| H-1 | H001-4135681 | 120614 | | | NUT, mach screw, hex, S, cd or zn-pltd, No. 10-32NF-2. | ea | 4 |

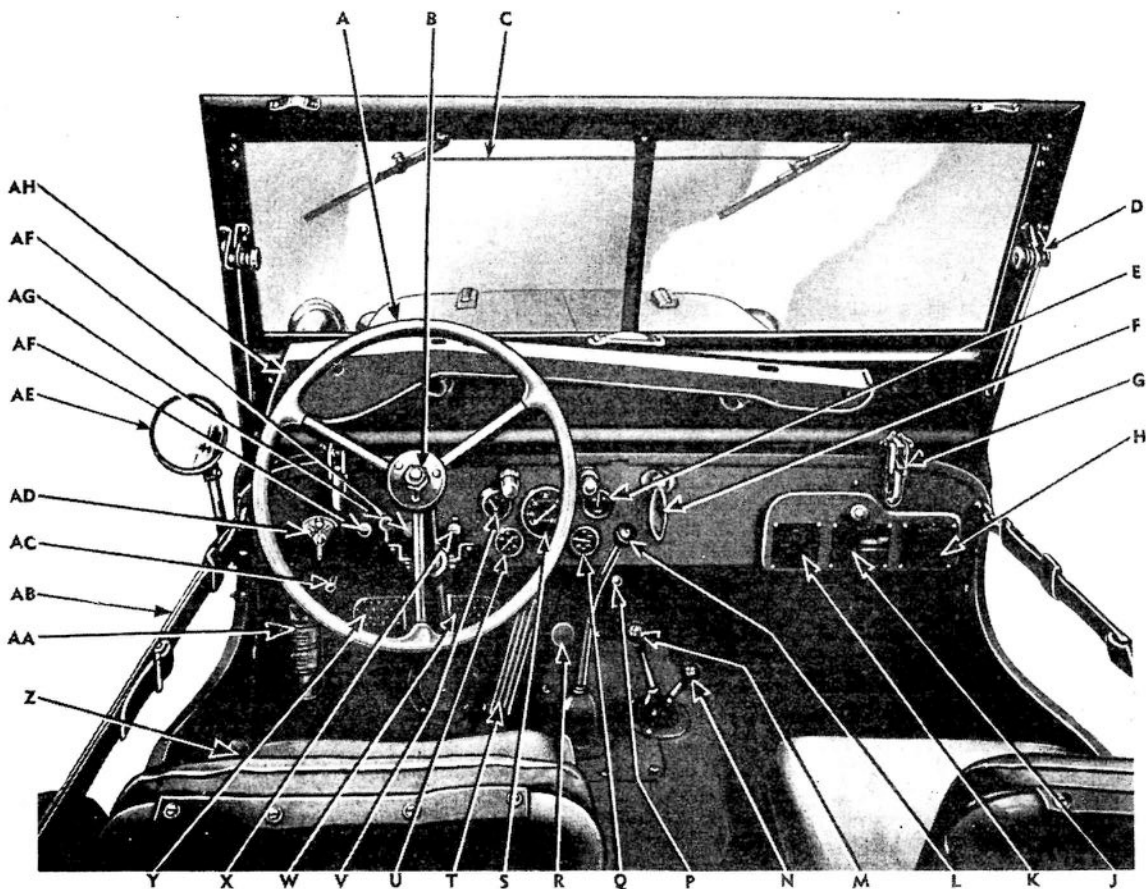
| | | | | | | | |
|-----|-----------------|---------|----------------------------------------------------|------|------------------------------------------------------------|----|---|
| H-1 | H001-5148881 | 132919 | | | SCREW, mach, rd-hd, S, cd or zn-pltd, No. 10-32NF-2 x 7/8. | ea | 4 |
| H-1 | H001-7025621 | 120217 | | | WASHER, lock, med, S, cd or zn-pltd, No. 10. | ea | 4 |
| H-1 | H001-7045491 | 120385 | | | WASHER, plain, US std, S, cd or zn-pltd, No. 10. | ea | 4 |
| G-9 | 3320-GPW16892 | | WO-A2896 FM-GPW16892 | 18-1 | CATCH, hold down, hood, assy----- | ea | 2 |
| G-9 | 3320-GPW1103027 | | WO-A3197 FM-GPW1103027 | 18-1 | CATCH, hold down, windshield, assy----- | ea | 2 |
| H-1 | H001-4167501 | 120375 | | | NUT, hex, light, s-fin, S, cd or zn-pltd, 1/4-20NC-2. | ea | 8 |
| H-1 | H001-5025511 | 216915 | | | SCREW, cap, hex-hd, S, cd or zn-pltd, 1/4-20NC-2 x 7/8. | ea | 8 |
| H-1 | H001-7025681 | 120380 | | | WASHER, lock, med, S, cd or zn-pltd, 1/4 in. | ea | 8 |
| H-1 | H001-7043681 | 120392 | | | WASHER, plain, SAE std, S, cd or zn-pltd, 1/4 in. | ea | 8 |
| G-9 | G503-7698439 | 7698439 | WO-A2188 FM-GPW16802 | | HINGE, hood, assy----- | ea | 1 |
| H-1 | H001-4029501 | 120372 | | | NUT, sq, reg, unfin, S, cd or zn-pltd, 1/4-20NC-2. | ea | 5 |
| | | | FM-353201S | | RETAINER, nut (for 1/4 square nut)----- | ea | 5 |
| H-1 | H001-5025511 | 216915 | | | SCREW, cap, hex-hd, S, cd or zn-pltd, 1/4-20NC-2 x 7/8. | ea | 3 |
| H-1 | H001-5025521 | 214002 | | | SCREW, cap, hex-hd, S, cd or zn-pltd, 1/4-20NC-2 x 3/4. | ea | 2 |
| H-1 | H001-7017621 | 121753 | | | WASHER, lock, ext-teeth, reg, S, cd or zn-pltd, 1/4 in. | ea | 2 |
| H-1 | H001-7025681 | 120380 | | | WASHER, lock, med, S, cd or zn-pltd, 1/4 in. | ea | 5 |
| H-1 | H001-7043681 | 120392 | | | WASHER, plain, SAE std, S, cd or zn-pltd, 1/4 in. | ea | 5 |
| | G503-7741429 | 7741429 | WO-A2836 | | HOOD, assy (Up to Willys Serial No. 103545)----- | ea | 1 |
| | G503-7741430 | 7741430 | WO-A3225 FM-GPW16610 WO-A4680 FM-GTB16847 | 18-1 | HOOD, assy (After Willys Serial No. 103545)----- | ea | 1 |
| | | 130772 | | | WEBBING, hood top windshield bumper----- | ea | 2 |
| | | | | | SCREW, wood, oval-hd, S, phos-ctd, No. 6 x 1 in. | ea | 4 |



| KEY ITEM | PART NO. | GROUP | KEY ITEM | PART NO. | GROUP |
|-------------|---------------|-------|-----------------|-----------|--------|
| A—APRON | WO-A2842 | 1701 | W—STRAP | WO-A3110 | 2201 |
| B—LOOP | WO-A2234 | 1804 | X—TRIM | WO-A2987 | 1806 |
| C—CATCH | WO-A2896 | 1703 | Y—TRIM | WO-A2985 | 1806 |
| D—CATCH | WO-A3197 | 1703 | Z—PAD | WO-A11732 | 1806 |
| E—FENDER | WO-A2943 | 1701 | AA—BRACKET | WO-A2453 | 1806 |
| F—FRAME | WO-A3204 | 1804 | BB—LID | WO-A3227 | 1808 |
| G—STEP | FM-GPW1102003 | 1804 | CC—SPRING | WO-A2830 | 1806 |
| H—BRACKET | WO-A2213 | 1804 | DD—BOW | WO-A2897 | 2201 |
| J—CHAIN | WO-A2501 | 1804 | EE—PAD | WO-A3114 | 1806 |
| K—SCREW | 214018 | 1804 | FF—STRAP | WO-A2883 | 1806 |
| L—PANEL | WO-A12010 | 1804 | GG—WEATHERSTRIP | WO-A2476 | 1804 |
| M—PANEL | WO-A12105 | 1804 | HH—CLAMP | WO-A2227 | 1804 |
| N—CUSHION | WO-A11730 | 1806 | JJ—GLASS | WO-A2478 | 1804 |
| P—PANEL | WO-A2757 | 1804 | KK—BUMPER | WO-A3780 | 1703 |
| Q—HANDLE | WO-A2390 | 1804 | LL—LIGHT, ASSY | CB-215142 | 0609.1 |
| R—BRACKET | WO-A2745 | 2201 | MM—LIGHT, ASSY | CB-415342 | 0609.1 |
| S—REFLECTOR | 506101 | 2202 | NN—HOOD, ASSY | WO-A3225 | 1703 |
| T—BRACKET | WO-A2754 | 2201 | PP—GUARD | WO-A3615 | 2101 |
| U—HANDLE | WO-A2389 | 1804 | QQ—LIGHT, ASSY | CB-215242 | 0609.1 |
| V—SCREW | WO-A2214 | 2201 | RR—LIGHT, ASSY | CB-415442 | 0609.1 |

RA PD 355085

Figure 18-1. Body—assembly.



| KEY ITEM | PART NO. | GROUP |
|-----------------|------------|--------|
| A-WHEEL | WO-A535 | 1401.1 |
| B-BUTTON | RG-450054 | 0611 |
| C-WIPER, ASSY | WO-A11433 | 2202.1 |
| D-ARM, ASSY | WO-A2235 | 1804 |
| E-AMMETER | AL-10311A | 0607 |
| F-HANDLE, ASSY | WO-639244 | 1201.1 |
| G-CLAMP, ASSY | WO-A2227 | 1804 |
| H-PLATE | WO-A1330 | 2210 |
| J-PLATE | WO-A17344 | 2210 |
| K-PLATE | WO-A1331 | 2210 |
| L-LEVER | WG-AC8412A | 0704 |
| M-LEVER | SP-25Q1056 | 0804 |
| N-LEVER | SP-25Q1055 | 0804 |
| P-SWITCH | AL-5934A3 | 0603 |
| Q-GAGE | AL-10312 | 0607 |
| R-REST | WO-A1225 | 0312 |
| S-SPEEDOMETER | C138301 | 2208.1 |
| T-PEDAL | WO-A6851 | 0312 |
| U-GAGE | AL-1017A | 0607 |
| V-GAGE | AL-10313A | 0607 |
| W-PEDAL, ASSY | WO-A8253 | 1704.1 |
| X-SWITCH | 506602 | 0608 |
| Y-PEDAL | WO-A405 | 0202 |
| Z-TANK | WO-A6618 | 0306 |
| AA-EXTINGUISHER | NOT LISTED | |
| AB-STRAP, ASSY | WO-A2883 | 1806 |
| AC-SWITCH | CL-9654 | 0608 |
| AD-SWITCH | DM-6244 | 0608 |
| AE-MIRROR, ASSY | WO-A2934 | 2202 |
| AF-CONTROL | WO-A7517 | 0312 |
| AG-SWITCH | DM-6282 | 0605 |
| AH-HOLDER, ASSY | BUE-505275 | 1808 |

RA PD 342288G

Figure 18-2. Front compartment and instrument panel.

| (1) NOTE SYMBOL | (2) STOCK NO. | (3) ORDNANCE PART NO. | (4) MFR'S PART NO. | (5) FIGURE NO. | (6) NOMENCLATURE | (7) UNIT OF MEAS- URE | (8) QUAN- TITY PER UNIT ASSEM- BLY |
|-----------------------|------------------|-----------------------------|----------------------------|-------------------|------------------------------------------------------------------------------------------------------------------------------------|-----------------------------------|------------------------------------------------------|
| | | | | | GROUP 18—BODY 1800—BODY ASSEMBLY | | |
| | G503-7701328 | 7701328 | WO-A12237 FM-GPW1000000 | | BODY, assy (Includes BOWS, BRACES, BRACKETS, CLAMPS, COMPARTMENTS, HANDLES, tail LIGHTS, MIRROR, SEALS, SEATS, FLOORS and PANELS). | ea | 1 |
| | | | WO-A12233 FM-GPW1100001 | | BODY, assy (Includes FLOORS and PANELS only). | ea | 1 |
| | | | WO-A4415 | | LINER, body sill, thick | ea | 2 |
| | | | WO-A4414 | | LINER, body sill, thin | ea | 2 |
| | | | | | 1804—BODY PANELS, HANDLES, AND WINDSHIELD | | |
| G-9 | 3320-GP1103302 | | WO-A2235 FM-GP1103302 | 18-2 | ARM, adjusting, windshield, assy | ea | 2 |
| | G503-7698488 | 7698488 | WO-A2138 FM-GPW1102396 | | BOLT, eye, S, 3/8-16NC-2 (safety strap) | ea | 2 |
| H-1 | H001-4167580 | 102635 | | | NUT, hex, light, s-fin, S, 3/8-16NC-2 | ea | 2 |
| H-1 | H001-7025741 | 120382 | | | WASHER, lock, med, S, cd or zn-pltd, 3/8 in. | ea | 2 |
| | | | WO-A3155 FM-GPW1104364 | | BRACE, instrument panel circuit breaker, w/ BRACKET, assy. | ea | 1 |
| | | | WO-5242 FM-60332S2 | | RIVET, rd-hd, S, 1/4 x 3/8 | ea | 2 |
| | G503-7698470 | 7698470 | WO-A2853 FM-GPW1140449 | | BRACKET, engine crank retaining clamp, assy | ea | 2 |
| | G503-7698430 | 7698430 | WO-A2213 FM-GPW1103162 | 18-1 | BRACKET, pivot, windshield, assy | ea | 2 |
| H-1 | H001-4026521 | 220070 | | | NUT, hex, reg, s-fin, S, cd or zn-pltd, 5/16-18NC-2. | ea | 4 |
| H-1 | H001-5026111 | 214018 | | 18-1 | SCREW, cap, hex-hd, S, cd or zn-pltd, 5/16-18NC-2 x 3/8. | ea | 4 |
| H-1 | H001-7025711 | 120214 | | | WASHER, lock, med, S, cd or zn-pltd, 5/16 in. | ea | 4 |
| | | | WO-A2941 FM-GPW1140441 | | BRACKET, retaining, engine crank | ea | 1 |
| G-9 | 3320-GP1103310 | | WO-A4300 FM-GP1103310 | | BRACKET, windshield adjusting arm, w/BUSHING, assy. | ea | 2 |

| | | | | | | | |
|-----|-----------------|---------|------------------------------------------------------------------------------|---------|----------------------------------------------------------------------|----|----|
| | | | WO-A2798 FM-GPW1103050 | | BRACKET, windshield mounting clamp catch | ea | 2 |
| H-1 | H001-5090651 | 120697 | | | SCREW, mach, fl-hd, S, cd or zn-pltd, 1/4-20NC-2 x 3/4. | ea | 4 |
| H-1 | H001-7025681 | 120380 | | | WASHER, lock, med, S, cd or zn-pltd, 1/4 in. | ea | 4 |
| G-9 | 3320-GP1103304 | | WO-2232 | | BRACKET, windshield swing arm, w/STUD, assy (5/16-18NC-2). | ea | 2 |
| | G503-7698431 | 7698431 | FM-GP1103304 WO-A2791 FM-GPW1103488 | | CATCH, windshield clamp (on instrument panel) | ea | 2 |
| | G503-7698432 | 7698432 | WO-A2501 FM-GPW1151289 | 18-1 | CHAIN, windshield thumb screw | ea | 4 |
| | G503-7743844 | 7743844 | WO-A2227 FM-GP1103482A | 18-1, 2 | CLAMP, windshield, assy | ea | 2 |
| | | | WO-A4592 FM-GPW1111162 CNC-519 WO-A4120 FM-352692S15 WO-A2776 | | COVER, trailer electric plug housing | ea | 1 |
| | | | | | FASTENER, windshield curtain (top to wind- shield). | ea | 10 |
| | G503-7698485 | 7698485 | WO-A3204 FM-GPW1103268 WO-A12760 | 18-1 | FRAME, tubular, windshield (prior to Willys Serial No. 103545). | ea | 1 |
| | | | WO-A12761 | | FRAME, tubular, windshield | ea | 1 |
| | | | WO-A2246 FM-GPW1103030 WO-2255 FM-GP1103020 | | FRAME, tubular, windshield, assy (for windshield w/vacuum wiper). | ea | 1 |
| | | | WO-A2226 FM-GPW1103014 | | FRAME, windshield glass, assy (for windshield w/vacuum wiper). | ea | 1 |
| G-9 | 3320-GPW1103014 | | WO-A12759 FM-GP1103014B | | FRAME, windshield glass, lower, assy | ea | 1 |
| | G503-7099459 | 7099459 | | | FRAME, windshield glass, upper, assy | ea | 1 |
| H-1 | H101-0131530 | 131530 | | | FRAME, windshield glass, w/GLASS, assy | ea | 1 |
| G-9 | G503-7324773 | 7324773 | AN-X598 WO-A2482 FM-38192S2 | | FRAME, windshield glass, w/GLASS, assy (Use w/vacuum type wiper). | ea | 1 |
| | | | AN-X1750 WO-A2480 FM-38259S2 | | NUT, blind, low crown, br, No. 10-32NF-2 | ea | 3 |
| | G503-7324775 | 7324775 | | | SCREW, mach. rd-hd, S, No. 8-32NC-2 x 7/16 | ea | 4 |
| | | | | | SCREW, mach, rd-hd, S, No. 10-32NF-2 x 7/8 | ea | 3 |
| H-1 | H001-7025591 | 121841 | | | WASHER, lock, med, S, cd, or/z-pltd No. 8 | ea | 4 |
| G-9 | G503-7743664 | 7743664 | WO-A2478 FM-GP1103100 | 18-1 | GLASS, windshield | ea | 2 |
| | G503-7698464 | 7698464 | WO-A2390 FM-GPW1129670 | 18-1 | HANDLE, body, outside, front | ea | 2 |

| (1) NOTE SYMBOL | (2) STOCK NO. | (3) ORDNANCE PART NO. | (4) MFR'S PART NO. | (5) FIGURE NO. | (6) NOMENCLATURE | (7) UNIT OF MEAS- URE | (8) QUAN TITY PER UNIT ASSEM- BLY |
|-------------------------------------------------------|------------------|-----------------------------|------------------------------------------------------------------------|-------------------|------------------------------------------------------------------------------------------|-----------------------------------|-----------------------------------------------------|
| GROUP 18—BODY—Continued | | | | | | | |
| 1804—BODY PANELS, HANDLES, AND WINDSHIELD—Con. | | | | | | | |
| | G503-7698471 | 7698471 | WO-A2389 FM-GPW1129672 | 15-3 | HANDLE, body, outside, rear corner..... | ea | 2 |
| H-1 | H001-4026521 | 220070 | ----- | ----- | NUT, hex, reg, s-fin, S, cd or zn-pltd, $\frac{5}{16}$ - 18NC-2. | ea | 16 |
| H-1 | H101-0214626 | 214626 | ----- | ----- | SCREW, cap, hex-hd, S, cd or zn-pltd, $\frac{5}{16}$ - 18NC-2 x $\frac{3}{8}$. | ea | 16 |
| H-1 | H001-7025711 | 120214 | ----- | ----- | WASHER, lock, med, S, cd or zn-pltd, $\frac{5}{16}$ in. | ea | 16 |
| | | | WO-A4303 FM-GP1103350 | ----- | HANDLE, windshield frame..... | ea | 1 |
| G-9 | G540-7091769 | 7091769 | WO-A2238 FM-B45482C | ----- | KNOB, windshield adjusting arm ($\frac{5}{16}$ -18NC-2)--- | ea | 2 |
| | G503-7698440 | 7698440 | WO-A2168 FM-GPW1154810A | ----- | LOOP, footman (body side panel)..... | ea | 5 |
| H-1 | H001-4135661 | 120361 | ----- | ----- | NUT, mach, screw, hex, S, cd or zn-pltd, No. 10-24NC-2. | ea | 10 |
| | | | WO-6290 FM-355162S2. | ----- | SCREW, mach, fl-hd, S, No. 10-24NC-2 x $\frac{1}{2}$. | ea | 10 |
| H-1 | H001-7025621 | 120217 | ----- | ----- | WASHER, lock, med, S, cd or zn-pltd, No. 10. | ea | 10 |
| | | | WO-A2234 FM-GP1103334 | 18-1 | LOOP, hold down, windshield..... | ea | 2 |
| H-1 | H101-0142745 | 142745 | WO-A2466 FM-33896S2 | ----- | NUT, wing, light, S, cd or zn-pltd, $\frac{5}{16}$ -18NC-2 (crank retaining bracket). | ea | 1 |
| | | | WO-A3182 FM-GPW1101670 | ----- | PAD, dash, panel..... | ea | 1 |
| G-9 | 3320-GP1103106 | ----- | WO-A2479 FM-GP1103106 | ----- | PADDING, windshield glass (Everseal, $1\frac{1}{8}$ in. x 73 in.). | ea | 2 |
| | | | WO-A2756 FM-GPW1127847 | ----- | PANEL, body, left side..... | ea | 1 |
| | | | WO-A2758 FM-GPW1140324 | ----- | PANEL, body, rear..... | ea | 2 |
| H-1 | H001-1167540 | 102634 | WO-52845 WO-6167 WO-52857 WO-53025 FM-356309S7 WO-A4116 | ----- | NUT, hex, jam, S, $\frac{5}{16}$ -18NC-2..... | ea | 2 |
| | | | | ----- | NUT, hex, light, s-fin, S, $\frac{5}{16}$ -18NC-2..... | ea | 2 |
| | | | | ----- | SCREW, cap. hex-hd, S, $\frac{5}{16}$ -18NC-2 x $1\frac{1}{8}$ --- | ea | 2 |
| | | | | ----- | WASHER, lock, int-ext-teeth, S, cd or zn- pltd, $\frac{5}{16}$ in. | ea | 4 |
| | | | | ----- | WASHER, plain, S, $\frac{5}{16}$ in..... | ea | 4 |

| | | | | | | | |
|-----|--------------|--------|----------------|------|----------------------------------------------------------------------------------|----|---|
| | | | WO-A2757 | 18-1 | PANEL, body, right side..... | ea | 1 |
| | | | FM-GPW1127846 | | | | |
| | | | WO-A12011 | | PANEL, cowl, left side..... | ea | 1 |
| | | | FM-GPW1102039 | | | | |
| | | | WO-A12010 | 18-1 | PANEL, cowl, right side..... | ea | 1 |
| | | | FM-GPW1102038 | | | | |
| | | | WO-A12105 | 18-1 | PANEL, cowl, top..... | ea | 1 |
| | | | FM-GPW1102015 | | | | |
| | | | WO-A12025 | | PANEL, dash, assy..... | ea | 1 |
| | | | WO-A3005 | | PANEL, dash, assy..... | ea | 1 |
| | | | FM-GPW1101610 | | | | |
| | | | WO-A3578 | | PANEL, instrument, assy..... | ea | 1 |
| | | | FW-GPW1104320 | | | | |
| | | | WO-A12023 | | PANEL, rear, left wheelhouse, inner..... | ea | 1 |
| | | | FM-GPW1127851 | | | | |
| | | | WO-A2271 | | PANEL, rear, left wheelhouse, top..... | ea | 1 |
| | | | FM-GPW1127849 | | | | |
| | | | WO-A12024 | | PANEL, rear, right wheelhouse, inner..... | ea | 1 |
| | | | FM-GPW1127850 | | | | |
| | | | WO-A2772 | | PANEL, rear, right wheelhouse, top..... | ea | 1 |
| | | | FM-GPW1127848 | | | | |
| | | | WO-A2301 | | PANEL, windshield, outer (prior to Willys serial No. 103544). | ea | 1 |
| | | | | | PANEL, windshield, outer (Willys serial No. 103544 and up). | ea | 1 |
| | | | WO-A3190 | | PIECE, windshield frame, upper cross, assy (for windshield w/vacuum type wiper). | ea | 1 |
| | | | | | PILLAR, cowl, left..... | ea | 1 |
| | | | WO-A12756 | | | | |
| | | | WO-A2815 | | PILLAR, cowl, right..... | ea | 1 |
| | | | FM-GPW1102511 | | | | |
| | | | WO-A2816 | | BOLT, hex-hd, S, $\frac{3}{8}$ -16NC-2 x 1 $\frac{1}{2}$ | ea | 2 |
| | | | FM-GPW1102510 | | NUT, hex, light, s-fin, S, cd or zn-pltd, $\frac{3}{8}$ -16NC-2. | ea | 2 |
| | | | WO-52863 | | WASHER, lock, med, S, cd or zn-pltd, $\frac{3}{8}$ in. | ea | 4 |
| | | | | | WASHER, plain, SAE std, cd or zn-pltd, $\frac{3}{8}$ in. | ea | 4 |
| H-1 | H001-4167581 | 120377 | | | PLATE, tapping, windshield clamp catch..... | ea | 1 |
| | | | | | | | |
| H-1 | H001-7025741 | 120382 | | | PLATE, tapping, driver's seat..... | ea | 1 |
| H-1 | H001-7043741 | 120394 | | | PLATE, tapping, hood hinge (on cowl)..... | ea | 1 |
| | | | | | | | |
| | | | WO-A2939 | | PLATE, tapping, shovel clamp..... | ea | 2 |
| | | | FM-GPW1103446A | | | | |
| | | | WO-A2879 | | PLATE, tapping, windshield clamp catch..... | ea | 2 |
| | | | FM-GPW11111238 | | | | |
| | | | WO-A2190 | | | | |
| | | | FM-GPW1102130 | | | | |
| | | | WO-A2940 | | | | |
| | | | FM-GPW1128242 | | | | |
| | | | WO-2939 | | | | |
| | | | FM-GPW1103446A | | | | |

| (1) NOTE SYMBOL | (2) STOCK NO. | (3) ORDNANCE PART NO. | (4) MFR'S PART NO. | (5) FIGURE NO. | (6) NOMENCLATURE | (7) UNIT OF MEAS- URE | (8) QUAN- TITY PER UNIT ASSEM- BLY |
|-----------------------|-----------------------|-----------------------------|--------------------------------------|-------------------|--------------------------------------------------------------------------------------------------------|-----------------------------------|------------------------------------------------------|
| | | | | | GROUP 18—BODY—Continued | | |
| | | | | | 1804—BODY PANELS, HANDLES, AND WINDSHIELD—Con. | | |
| | G503-7698472 | 7698472 | WO-A2470 FM-GPW1140447 | ----- | RETAINER, engine crank | ea | 2 |
| | | | WO-A4518 <i>4514</i> FM-GPW17079 | ----- | RETAINER, tire pump (foot end) | ea | 1 |
| | | | WO-A4518 FM-GPW17055 | ----- | RETAINER, tire pump (handle end) | ea | 1 |
| | | | WO-A2386 | ----- | RETAINER, windshield hold down catch (prior to Willys serial No. 103545). | ea | 2 |
| | | | BA-B194 WO-A3203 FM-GPW1103028 | ----- | RETAINER, windshield hold down catch (Willys serial No. 103545 and up). | ea | 2 |
| H-1 | H001-4167501 | 120375 | ----- | ----- | NUT, hex, light, s-fin, S, cd or zn-plated, ¼- 20NC-2. | ea | 4 |
| H-1 | N001-5417601 | 120854 | ----- | ----- | SCREW, cap, hex-hd, S, cd or zn-pltd, ¼- 20NC-3 x ⅝. | ea | 4 |
| H-1 | H001-7025681 | 120380 | ----- | ----- | WASHER, lock, med, S, cd or zn-pltd, ¼ in. | ea | 4 |
| H-1 | H001-7043681 | 120392 | ----- | ----- | WASHER, plain, SAE std, S, cd or zn-pltd, ¼ in. | ea | 4 |
| | G503-7698473 | 7698473 | WO-A3189 FM-GPW1151297 | ----- | RING, windshield thumbscrew chain | ea | 4 |
| | | | AN-X1754 WO-A2485 FM-24454S2 | ----- | SCREW, cap, hex-hd, S, ¼-20NC-2 x 1⅞ (wind- shield clamp bracket). | ea | 4 |
| H-1 | H001-5088731 | 133556 | ----- | ----- | SCREW, mach, fl-hd, S, cd or zn-pltd, No. 10- 24NC-2 x ⅜ (footman loop hole). | ea | 2 |
| | | | AN-X1755 WO-A2487 FM-33249 | ----- | SCREW, ov-ck-hd, S, No. 10 x ½, type Z (wind- shield bracket). | ea | 4 |
| G-9 | 3320-81W811189 | ----- | FM-81W811189 | ----- | SCREW, pivot windshield adjusting arm (rh-hd, S, ¼-28NF-2 x .47) (Superseded by SCREW WO-A2239). | ea | 2 |
| G-9 | 3320-G8T8103- 074B | ----- | WO-A2239 FM-G8T8103074B | ----- | SCREW, pivot, windshield adjusting arm (rd-hd, S, ¼-28NF-2 x .47). | ea | 2 |
| | G503-7326119 | 7326119 | WO-A2214 FM-355449S2 | ----- | SCREW, thumb, ⅜-24NF (windshield pivot) | ea | 2 |

| | | | | | | | |
|-----|------------------|---------|--------------------------------------|------|--------------------------------------------------------------------------------------------------------------|----|----|
| | | | WO-A3173 FM-GPW8155 | | SEAL, radiator side air deflector, left----- | ea | 1 |
| | | | WO-A3575 | | SEAL, radiator side air deflector to radiator----- | ea | 1 |
| | | | WO-A3182 | | SEAL, radiator side air deflector to radiator, right-- | ea | 1 |
| | | | WO-A2979 FM-GPW8222 | | SEAL, radiator top air deflector----- | ea | 1 |
| | | | WO-A3574 FM-GPW8166 | | SEAL, radiator top air deflector to radiator----- | ea | 1 |
| | | | WO-A2968 FM-GPW1128244 | | SHEATH, ax----- | ea | 1 |
| G-9 | 3320-99W81033-11 | | AN-S384 WO-A2483 FM-99W8103311 | | SPACER, windshield adjusting arm (S, $\frac{29}{64}$ ID, $\frac{21}{32}$ OD). | ea | 2 |
| | G503-7698475 | 7698475 | FM-GPW1102003 | 18-1 | STEP, cowl side, left, assy----- | ea | 1 |
| | | | FM-GPW1102002 | | STEP, cowl side, right, assy----- | ea | 1 |
| | | | WO-A2325 FM-GPW1128286 | | STRAINER, body side panel to wheelhouse----- | ea | 1 |
| | | | WO-A3120 FM-GPW1144620 | | SUPPORT, rear body to frame, inner----- | ea | 2 |
| | | | WO-A2336 FM-GPW1144605 | | SUPPORT, rear body to frame, outer----- | ea | 2 |
| H-1 | H001-7043711 | 120393 | | | WASHER, plain, SAE std, S, cd or zn-pltd, $\frac{5}{16}$ in. (windshield adjusting arm screw). | ea | 6 |
| | G503-7324847 | 7324847 | AN-S1044 WO-A4260 FM-356361S | | WASHER, windshield adjusting arm spring (S, 0.34 ID, 0.56 OD). | ea | 2 |
| | G503-7324848 | 7324848 | WO-A2220 FM-356373S2 | | WASHER, windshield pivot spring (S, $\frac{21}{32}$ ID, 1 OD, 0.015 thk, $\frac{5}{32}$ crown). | ea | 4 |
| | G503-7698468 | 7698468 | WO-A2250 FM-GPW1103110 | | WEATHERSTRIP, windshield----- | ea | 1 |
| | G503-7698469 | 7698469 | WO-A2476 FM-GPW1103080A | 18-1 | WEATHERSTRIP, windshield frame to cowl----- | ea | 1 |
| H-1 | | 145193 | | | SCREW, tapping, bdg-hd, blunt-pt, sheet metal threads, S, cd or zn-pltd, No. 10 x $\frac{1}{2}$ in. | ea | 15 |
| | | | WO-A2796 | | WINDSHIELD, complete assy (Prior to Willys Serial No. 103545). | ea | 1 |
| G-9 | 3320-GPW1103010 | | WO-A3210 FM-GP1103010 | | WINDSHIELD, complete assy (Willys Serial No. 103545 and after) (Superseded by WIND- SHIELD WO-A12758). | ea | 1 |
| | G503-7740835 | 7740835 | WO-A12758 | | WINDSHIELD, assy----- | ea | 1 |

| (1) NOTE SYMBOL | (2) STOCK NO. | (3) ORDNANCE PART NO. | (4) MFR'S PART NO. | (5) FIGURE NO. | (6) NOMENCLATURE | (7) UNIT OF MEAS- URE | (8) QUAN- TITY PER UNIT ASSEM- BLY |
|-----------------------|------------------|-----------------------------|----------------------------|-------------------|-------------------------------------------------------------------------|-----------------------------------|------------------------------------------------------|
| | | | | | GROUP 18—BODY—Continued | | |
| | | | | | 1805—BODY FLOORS, SEALS, AND COMPONENTS—Continued | | |
| | G503-7698465 | 7698465 | WO-A2982 FM-GPW1112110 | ----- | COVER, floor, transmission----- | ea | 1 |
| H-1 | H001-5025501 | 214001 | | ----- | SCREW, cap, hex-hd, S, cd or zn-pltd, ¼- 20NC-2 x ½. | ea | 7 |
| H-1 | H001-7025681 | 120380 | | ----- | WASHER, lock, med, S, cd or zn-pltd, ¼ in. | ea | 7 |
| | | | WO-A2990 FM-GPW1112115 | ----- | COVER, inspection, floor, brake cylinder----- | ea | 1 |
| H-1 | H001-5025501 | 214001 | | ----- | SCREW, cap, hex-hd, S, cd or zn-pltd, ¼- 20NC-2 x ½. | ea | 5 |
| H-1 | H001-7025681 | 120380 | | ----- | WASHER, lock, med, S, cd or zn-pltd, ¼ in. | ea | 5 |
| | | | WO-42759 FM-GPW1111331 | ----- | COVER, rear floor pan, left shock absorber, assy-- | ea | 1 |
| | | | WO-A2760 FM-GPW1111330 | ----- | COVER, rear floor pan, right shock absorber, assy-- | ea | 1 |
| | | | WO-A2950 FM-GPW111089S | ----- | FILLER, wood, rear floor pan cross sill----- | ea | 1 |
| G-9 | 3320-GPW1101735A | ----- | WO-A3784 FM-GPW1101735A | ----- | GROMMET, floor, transfer gear shift lever (ru) | ea | 1 |
| | | | WO-A2311 WO-A2312 | ----- | GUSSET, front floor toe board to frame, left, assy-- | ea | 1 |
| | | | | ----- | GUSSET, front floor toe board to frame, right, assy. | ea | 1 |
| H-1 | H101-0214739 | 214739 | | ----- | SCREW, cap, hex-hd, S, cd or zn-pltd, ¾- 24NF-2 x ¾. | ea | 2 |
| H-1 | H001-7045595 | 158666 | WO-53135 | ----- | WASHER, lock, ext-teeth, S, ¾ in----- | ea | 2 |
| H-1 | H001-7045595 | 118666 | | ----- | WASHER, plain, US std, S, phos-ctd, ¾ in-- | ea | 2 |
| | | | WO-50921 WO-A2278 | ----- | WASHER, plain, US std, S, phos-ctd, ¾ in-- | ea | 2 |
| | | | WO-A2375 FM-350976S2 | ----- | NUT, clinch, S, ¼-20NC-2 (transmission cover)-- | ea | 7 |
| | | | WO-2263 FM-351015S | ----- | NUT, clinch, S, ⅙-24NF-2 (transmission cover and accelerator pedal). | ea | 2 |
| | | | WO-A2933 FM-355909S2 | ----- | NUT, clinch, S, ⅙-16NC-2 (front floor rear cross sill). | ea | 1 |
| | | | WO-A12003 FM-GPW1111140 | ----- | NUT, clinch, special S, ¼ in. pipe top std (floor drain plug). | ea | 2 |
| H-1 | H001-4167580 | 102635 | | ----- | PAN, front floor----- | ea | 1 |
| | | | | ----- | NUT, hex, light, s-fin, S, ⅙-16NC-2----- | ea | 4 |

| | | | | | | | |
|-----|--------------|---------|-----------------------------------------------------------------|--|-------------------------------------------------------------------------------------------|----|---|
| | | | WO-52893 FM-356016S | | NUT, hex, stamped, S, 3/8-16NC-2 | ea | 4 |
| H-1 | H101-0214104 | 214104 | | | SCREW, cap, hex-hd, S, cd or zn-pltd, 3/8-24NF-2 x 2. | ea | 2 |
| H-1 | H001-5027161 | 214101 | | | SCREW, cap, hex-hd, S, cd or zn-pltd, 3/8-24NF-2 x 1 3/4. | ea | 2 |
| H-1 | H001-7021801 | 138542 | | | WASHER, lock, int-teeth, reg, S, cd or zn-pltd, 3/8 in. | ea | 4 |
| | | | WO-53026 FM-356200S7 | | WASHER, lock, int-ext-teeth, S, 3/8 in. | ea | 4 |
| H-1 | H001-7045595 | 118666 | | | WASHER, plain, US std, S, phos-ctd, 3/8 in. | ea | 8 |
| | | | WO-A12017 FM-GPW1111218 | | PAN, rear floor | ea | 1 |
| H-1 | H001-4167580 | 102635 | | | NUT, hex, light, s-fin, S, 3/8-16NC-2 | ea | 3 |
| | | | WO-52893 FM-356016S | | NUT, hex, stamped, S, 3/8-16NC-2 | ea | 1 |
| H-1 | H001-5026741 | 214387 | | | SCREW, cap, hex-hd, S, cd or zn-pltd, 3/8-16NC-2 x 1. | ea | 1 |
| H-1 | H001-5027161 | 214101 | | | SCREW, cap, hex-hd, S, cd or zn-pltd, 3/8-24NF-2 x 1 3/4. | ea | 1 |
| | | | WO-53026 FM-356200S7 | | WASHER, lock, int-ext-teeth, S, 3/8 in. | ea | 3 |
| H-1 | H001-7021801 | 138542 | | | WASHER, lock, int-teeth, reg, S, cd or zn-pltd, 3/8 in. | ea | 2 |
| H-1 | H001-7045595 | 118666 | | | WASHER, plain, US std, phos-ctd, 3/8 in. | ea | 1 |
| | | | WO-A12055 WO-5120 FM-358019S WO-A3144 FM-GPW1162606 | | PLATE, floor seal, dimmer switch | ea | 1 |
| | | | | | PLUG, pipe, slotted, 1/4 in. (floor drain hole) | ea | 2 |
| | | | | | REST, foot, rear floor, assy | ea | 2 |
| H-1 | H001-4026521 | 220070 | | | NUT, hex, reg, s-fin, S, cd or zn-pltd, 5/16-18NC-2 | ea | 4 |
| H-1 | H001-5026111 | 214018 | | | SCREW, cap, hex-hd, S, cd or zn-pltd, 5/16-18NC-2 x 3/4. | ea | 3 |
| H-1 | H101-0214644 | 214644 | | | SCREW, cap, hex-hd, S, cd or zn-pltd, 5/16-18NC-2 x 3/4. | ea | 4 |
| H-1 | H001-7025711 | 120214 | | | WASHER, lock, med, S, cd or zn-pltd, 5/16 in. | ea | 4 |
| H-1 | H001-7043715 | 118774 | | | WASHER, plain, SAE std, S, phos-ctd, 5/16 in. | ea | 1 |
| G-9 | G503-7698466 | 7698466 | WO-A2919 FM-GPW1112119 | | RING, floor, gear shift lever housing cover | ea | 1 |
| H-1 | H001-5025521 | 214002 | | | SCREW, cap, hex-hd, S, cd or zn-pltd, 1/4-20NC-2 x 3/4. | ea | 1 |
| H-1 | H001-6217371 | 144811 | | | SCREW, tapping, bdg-hd, gimlet-pt, sheet metal thread, S, cd or zn-pltd, No. 10 x 1/2 in. | ea | 3 |
| | | | WO-A2917 FM-GPW1112158 | | RING, floor seal, steering column | ea | 1 |
| H-1 | H001-6211371 | 144811 | | | SCREW, tapping, bdg-hd, gimlet-pt, sheet metal thread, S, cd or zn-pltd, No. 10 x 1/2 in. | ea | 4 |

| (1) NOTE SYMBOL | (2) STOCK NO. | (3) ORDNANCE PART NO. | (4) MFR'S PART NO. | (5) FIGURE NO. | (6) NOMENCLATURE | (7) UNIT OF MEAS- URE | (8) QUAN- TITY PER UNIT ASSEM- BLY |
|----------------------------------------------------------|------------------------------|-----------------------------|--------------------------------------------------------|-------------------|--------------------------------------------------------------------------------------------|-----------------------------------|------------------------------------------------------|
| GROUP 18—BODY—Continued | | | | | | | |
| 1805—BODY FLOORS, SEALS, AND COMPONENTS—Continued | | | | | | | |
| H-1 | H001-5025521 | 214002 | WO-A2918 FM-GPW1112117 | ----- | RING, floor, transmission shift lever grommet..... | ea | 1 |
| H-1 | ----- | 144811 | ----- | ----- | SCREW, cap, hex-hd, S, cd or zn-pltd, ¼- 20NC-2 x ¾. | ea | 2 |
| H-1 | H001-5026751 | 214389 | WO-A3222 FM-GPW1111155 WO-52893 FM-356016S | ----- | SCREW, tapping, bdg-hd, gimlet-pt, sheet metal thread, S, cd or zn-pltd, No. 10 x ½ in. | ea | 3 |
| H-1 | H001-4167581 | 120377 | ----- | ----- | RISER, front to rear floor pan, assy..... | ea | 1 |
| H-1 | H001-7021801 | 138542 | ----- | ----- | NUT, hex, jam, S, ¾-16NC-2..... | ea | 2 |
| H-1 | H001-7045595 G503-7361994 | 118666 7361994 | WO-53026 FM-356200S7 | ----- | SCREW, cap, hex-hd, S, cd or zn-pltd, ¾- 16NC-2 x 1¼. | ea | 2 |
| G-9 | 3320-GPW111128- 6A | ----- | WO-A3782 FM-GPW1111520A | ----- | NUT, hex, light, s-fin, S, cd or zn-pltd, ¾- 16NC-2. | ea | 2 |
| | G503-7698486 | 7698486 | WO-A2932 FM-GPW1111137A | ----- | WASHER, lock, int-teeth, reg, S, cd or zn- pltd. ¾ in. | ea | 4 |
| | G503-7698467 | 7698467 | WO-A12054 WO-A3116 FM-GPW1111299A | ----- | WASHER, lock, int-ext-teeth, S, ¾ in..... | ea | 4 |
| | G503-7698487 | 7698487 | WO-A2992 FM-GPW11514A WO-A2931 FM-GPW1101698A | ----- | WASHER, plain, US std, S, phos-ctd, ¾ in.. | ea | 4 |
| | | | WO-A2994 FM-GPW1112116A WO-A3207 FM-GPW9082A | ----- | SEAL, floor, accelerator pedal rod..... | ea | 1 |
| | | | | ----- | SEAL, floor, brake cylinder inspection cover..... | ea | 1 |
| | | | | ----- | SEAL, floor, dimmer switch plate..... | ea | 1 |
| | | | | ----- | SEAL, floor, fuel line hole..... | ea | 1 |
| | | | | ----- | SEAL, floor, gear shift lever housing cover (ru).. | ea | 1 |
| | | | | ----- | SEAL, floor, starter switch..... | ea | 1 |
| | | | | ----- | SEAL, floor, steering column..... | ea | 1 |
| | | | | ----- | SEAL, floor, transmission cover..... | ea | 1 |
| | | | | ----- | SEAL, fuel tank stone guard, front..... | ea | 1 |

| | | | | | | | |
|-----|--------------|---------|-----------------------------|------|------------------------------------------------------------------|----|----|
| | | | WO-A3208 FM-GPW9085A | | SEAL, fuel tank stone guard, left..... | ea | 1 |
| | | | WO-A3209 FM-GPW9083A | | SEAL, fuel tank stone guard, rear..... | ea | 1 |
| | | | WO-A3206 FM-GPW9084 | | SEAL, fuel tank stone guard, right..... | ea | 1 |
| | | | WO-A2837 FM-GPW1110611 | | SILL, cross, front floor pan, left, assy..... | ea | 1 |
| | | | WO-A2838 FM-GPW1110625 | | SILL, cross, front floor pan, rear..... | ea | 1 |
| | | | WO-A2838 FM-GPW1110610 | | SILL, cross, front floor pan, right, assy..... | ea | 1 |
| | | | WO-A2948 FM-GPW1110750 | | SILL, cross, rear floor pan..... | ea | 1 |
| | | | | | 1806—SEATS, CRASH PADS, TRIM, AND UPHOLSTERY | | |
| G-9 | G503-7741329 | 7741329 | WO-A11729 | | BACK, front seat, assy..... | ea | 2 |
| | G503-7741330 | 7741330 | WO-A11931 | | BACK, rear seat, assy..... | ea | 1 |
| | G503-7767292 | 7767292 | WO-A2983 FM-355569S2 | | BOLT, anchor, $\frac{3}{8}$ -16NC-2, safety Strap..... | ea | 2 |
| H-1 | H001-4167581 | 120377 | | | NUT, hex, light, s-fin, S, cd or zn-pltd, $\frac{3}{8}$ -16NC-2. | ea | 2 |
| H-1 | H001-7025741 | 120382 | | | WASHER, lock, med, S, cd or zn-pltd, $\frac{3}{8}$ in. | ea | 2 |
| | G503-7698442 | 7698442 | WO-A2515 FM-GPW1160314 | | BRACKET, front seat rear stop..... | ea | 2 |
| | | | WO-A2453 FM-GPW1162552 | 18-1 | BRACKET, pivot, front seat..... | ea | 2 |
| | | | WO-51561 FM-60375S | | RIVET, rd-hd, S, $\frac{3}{8}$ x $\frac{1}{16}$ | ea | 2 |
| | G503-7698443 | 7698442 | WO-A2833 FM-GPW1162414 | | BRACKET, pivot, rear seat frame..... | ea | 2 |
| | | | WO-A2787 FM-GPW1162402 | | BRACKET, rear seat back frame..... | ea | 2 |
| H-1 | H001-4167501 | 120375 | | | NUT, hex, light, s-fin, S, cd or zn-pltd, $\frac{1}{4}$ -20NC-2. | ea | 4 |
| H-1 | H001-7025681 | 120380 | | | WASHER, lock, med, S, cd or zn-pltd, $\frac{1}{4}$ in. | ea | 4 |
| H-1 | H001-7043681 | 120392 | | | WASHER, plain, SAE std, S, cd or zn-pltd, $\frac{1}{4}$ in. | ea | 4 |
| | G503-7744208 | 7744208 | WO-A12400 | | CUSHION, driver's seat, assy..... | ea | 1 |
| | | | WO-A2986 FM-GPW1162900B | | CUSHION, front seat, assy (Superseded by CUSHION WO-A11730). | ea | 2 |
| | G503-7698444 | 7698444 | WO-A11730 FM-GPW1162900C | 18-1 | CUSHION, front seat, assy..... | ea | 1 |
| H-1 | H001-4135661 | 120361 | | | NUT, mach screw, hex, S, cd or zn-pltd, No. 10 24NC-2. | ea | 10 |
| H-1 | H101-0123854 | 123854 | | | SCREW, mach, fl-hd, S, cd or zn-pltd, No. 10. | ea | 10 |
| H-1 | H001-7025621 | 120217 | | | WASHER, lock, med, S, cd or zn-pltd, No. 10. | ea | 10 |

| (1) NOTE SYMBOL | (2) STOCK NO. | (3) ORDNANCE PART NO. | (4) MFR'S PART NO. | (5) FIGURE NO. | (6) NOMENCLATURE | (7) UNIT OF MEAS- URE | (8) QUAN- TITY PER UNIT ASSEM- BLY |
|-----------------------------------------------------------|------------------|-----------------------------|-----------------------------|-------------------|-------------------------------------------------------------------------------------|-----------------------------------|------------------------------------------------------|
| GROUP 18—BODY—Continued | | | | | | | |
| 1806—SEATS, CRASH PADS, TRIM, AND UPHOLSTERY--Con. | | | | | | | |
| | G503-7744207 | 7744207 | WO-A2886 FM-GPW1160327B | ----- | FRAME, driver's seat, assy----- | ea | 1 |
| H-1 | H001-4026521 | 220070 | ----- | ----- | NUT, hex, reg, s-fin, S, cd or zn-pltd, $\frac{5}{16}$ - 18NC-2. | ea | 3 |
| H-1 | H101-0215435 | 215435 | ----- | ----- | SCREW, cap, hex-hd, S, cd or zn-pltd, $\frac{5}{16}$ - 24NF-2 x $1\frac{1}{8}$. | ea | 1 |
| H-1 | H101-0214644 | 214644 | ----- | ----- | SCREW, cap, hex-hd, S, cd or zn-pltd, $\frac{5}{16}$ - 18NC-2 x $\frac{3}{4}$. | ea | 2 |
| H-1 | H001-7025711 | 120214 | ----- | ----- | WASHER, lock, med, S, cd or zn-pltd, $\frac{5}{16}$ in. | ea | 1 |
| H-1 | H001-7045561 | 120387 | ----- | ----- | WASHER, plain, US std, S, cd or zn-pltd, $\frac{5}{16}$ in. | ea | 1 |
| G-9 | ----- | ----- | WO-71633 FM-351370S2 | ----- | WASHER, special S, $\frac{5}{16}$ in.----- | ea | 2 |
| | G503-7744210 | 7744210 | WO-A2925 FM-GPW1160326 | ----- | FRAME, passenger seat, assy----- | ea | 1 |
| H-1 | H001-4026521 | 220070 | ----- | ----- | NUT, hex, reg, s-fin, S, cd or zn-pltd, $\frac{5}{16}$ -18NC-2. | ea | 2 |
| H-1 | H101-0214644 | 214644 | ----- | ----- | SCREW, cap, hex-hd, S, cd or zn-pltd, $\frac{5}{16}$ - 18NC-2 x $\frac{3}{4}$. | ea | 2 |
| H-1 | H001-7025711 | 120214 | ----- | ----- | WASHER, lock, med, S, cd or zn-pltd, $\frac{5}{16}$ in. | ea | 2 |
| | G503-7698460 | 7698460 | WO-71633 FM-351370S2 | ----- | WASHER, special, S, $\frac{5}{16}$ in.----- | ea | 2 |
| | G503-7698461 | 7698461 | WO-A2782 FM-GPW1161326 | ----- | FRAME, rear seat, assy----- | ea | 1 |
| | | | WO-A2783 FM-GPW1161300 | ----- | FRAME, rear seat back, assy----- | ea | 1 |
| | | | WO-A2607 WO-A2788 | ----- | NUT, tee, S, $\frac{5}{16}$ -24NF-2----- | ea | 1 |
| | | | FM-GPW1160780 | ----- | FRAME, rear seat cushion, assy----- | ea | 1 |
| | G503-7698457 | 7698457 | WO-A3114 FM-GPW1166401 | 18-1 | PAD, crash, front seat body side, left, assy----- | ea | 1 |
| | G503-7740511 | 7740511 | WO-3115 FM-GPW1166400 | ----- | PAD, crash, front seat body side, right, assy----- | ea | 1 |
| | G503-7698456 | 7698456 | WO-A11732 FM-GPW1163120B | 18-1 | PAD, rear seat cushion, w/SPRING, assy----- | ea | 1 |
| | | | WO-52990 FM-32989S2 | ----- | SCREW, wood, oval-hd, S, No. 10 x $\frac{1}{2}$ ----- | ea | 32 |

| | | | | | | | |
|-----|--------------|---------|----------------------------|---------|------------------------------------------------------|----|----|
| | | | WO-52968 FM-34886S | | WASHER, ck, S, No. 10 | ea | 32 |
| | G503-7698463 | 7698463 | WO-A2905 FM-GPW1164812B | | PAD, rear seat back | ea | 1 |
| | G503-7698462 | 7698462 | WO-A2908 FM-GPW1166800B | | PAD, rear seat back | ea | 1 |
| | | | WO-A2910 FM-GPW1162181 | | PANEL, front seat body side crash pad, left, assy. | ea | 1 |
| | | | WO-A2911 FM-GPW1162180 | | PANEL, front seat body side crash pad, right, assy. | ea | 1 |
| | | | WO-654934 FM-355900S2 | | NUT, tee, S, ¼-20NF-2 | ea | 8 |
| H-1 | H001-5150151 | 133043 | | | SCREW, mach, rd-hd, S, cd or zn-pltd, ¼-20NC-2 x ¾. | ea | 8 |
| H-1 | H001-7025681 | 120380 | | | WASHER, lock, med, S, cd or zn-pltd, ¼ in. | ea | 8 |
| | | | WO-A2945 FM-GPW1162410 | | RETAINER, rear seat pivot tube | ea | 2 |
| H-1 | H101-0214576 | 214576 | | | SCREW, cap, hex-hd, S, ¼-20NC-2 x ½ | ea | 2 |
| H-1 | H001-4167581 | 120377 | | | NUT, hex, light, s-fin, S, cd or zn-pltd, ¾-16NC-2. | ea | 2 |
| H-1 | H001-7025681 | 120380 | | | WASHER, lock, med, S, cd or zn-pltd, ¼ in. | ea | 2 |
| | | | WO-A3106 FM-GPW1160012B | | SEAT, trimmed, front, assy (driver's) | ea | 1 |
| | G503-7743570 | 7743570 | WO-A3107 FM-GPW1160016B | | SEAT, trimmed, front, assy (passenger's) | ea | 1 |
| | G503-7743571 | 7743571 | WO-A3108 FM-GPW1160026 | | SEAT, trimmed, rear, assy | ea | 1 |
| | | | WO-A3980 | | SPRING, front seat back, assy. | ea | 2 |
| | | | WO-A3984 | | SPRING, front seat body side crash pad, left, assy. | ea | 1 |
| | | | WO-A3985 | | SPRING, front seat body side crash pad, right, assy. | ea | 1 |
| | | | WO-A3981 FM-GPW1163206 | | SPRING, front seat cushion, assy. | ea | 2 |
| | | | WO-A3982 | | SPRING, rear seat back, assy. | ea | 1 |
| | | | WO-A3983 FM-GPW1163846B | | SPRING, rear seat cushion, assy. | ea | 1 |
| | | | WO-A2830 FM-GPW1161302 | 18-1 | SPRING, retaining, rear seat frame | ea | 2 |
| H-1 | H101-0214576 | 214576 | | | SCREW, cap, hex-hd, S, ¼-20NC-2 x ½ | ea | 4 |
| H-1 | H001-4167501 | 120375 | | | NUT, hex, light, s-fin, S, cd or zn-pltd, ¼-20NC-2. | ea | 4 |
| H-1 | H001-7025681 | 120380 | | | WASHER, lock, med, S, cd or zn-pltd, ¼ in. | ea | 4 |
| H-3 | H003-0545562 | 545562 | WO-A2883 FM-GPW1131-414 | 18-1, 2 | STRAP, web, safety, truck, 1½ x 29 in. | ea | 2 |
| | | | WO-A3029 FM-GPW1162400 | | SUPPORT, rear seat frame to wheel house | ea | 2 |

| (1) NOTE SYMBOL | (2) STOCK NO. | (3) ORDNANCE PART NO. | (4) MFR'S PART NO. | (5) FIGURE NO. | (6) NOMENCLATURE | (7) UNIT OF MEAS- URE | (8) QUAN- TITY PER UNIT ASSEM- BLY |
|-----------------------|------------------|-----------------------------|------------------------------------------|-------------------|-----------------------------------------------------------------------------|-----------------------------------|------------------------------------------------------|
| | | | | | GROUP 18—BODY—Continued | | |
| | | | | | 1806—SEATS, CRASH PADS, TRIM, AND UPHOLSTERY—Con. | | |
| | G503-7698445 | 7698445 | WO-A2985 FM-GPW1164416 | 18-1 | TRIM, front seat back, assy----- | ea | 2 |
| | G503-7698435 | 7698435 | WO-A2987 FM-GPW1166600 | 18-1 | TRIM, rear seat back, assy----- | ea | 1 |
| | G503-7698434 | 7698434 | WO-A2988 FM-GPW1163804C | ----- | TRIM, rear seat cushion, complete assy----- | ea | 1 |
| | | | | | 1808—STOWAGE RACKS, BOXES, AND STRAPS | | |
| | G503-7698441 | 7698441 | WO-A3536 FM-GPW1106085 | ----- | BOLT, glove compartment lock (Willys serial No. 20700 to serial No. 37914). | ea | 1 |
| | | | WO-A2361 FM-GPW1104366 | ----- | BRACE, instrument panel to dash----- | ea | 1 |
| | | | WO-A4123 FM-GPW1140330 | ----- | BRACKET, spare gasoline can, assy----- | ea | 1 |
| H-1 | H001-4167581 | 120377 | ----- | ----- | NUT, hex, light, s-fin, S, cd or zn-pltd, 3/8-16NC-2. | ea | 4 |
| H-1 | H001-5026721 | 214386 | ----- | ----- | SCREW, cap, hex-hd, S, cd or zn-pltd, 3/8-16NC-2 x 3/4. | ea | 4 |
| H-1 | H001-7025741 | 120382 | ----- | ----- | WASHER, lock, med, S, cd or zn-pltd, 3/8 in. | ea | 4 |
| | | | WO-A11581 | ----- | BRACKET, support, rifle holder to windshield, left, assy. | ea | 1 |
| | | | WO-A11584 | ----- | BRACKET, support, rifle holder to windshield, right, assy. | ea | 1 |
| | | | BUE-505285 WO-A11945 FM-GPW1153124 | ----- | BUMPER, rifle holder retainer clamp, assy----- | ea | 1 |
| | | | FM-GPW1153106 | ----- | CAM, rifle holder retainer handle----- | ea | 1 |
| | | | FM-62323S2 | ----- | RIVET, ov-hd, tubular, 3/4 x 1 1/2----- | ea | 1 |
| | | | WO-A3531 FM-GPW1106084A | ----- | CASE, glove compartment lock, assy (serial No. 20700 to serial No. 37914). | ea | 1 |

| | | | | | | | |
|-----|------------------------------|-------------------|-----------------------------------------------------------------------------------------------------------------------------|------|---------------------------------------------------------------------------------------------------------------------------------------------------------------------------------------------------------------------------------|----------------------|------------------|
| G-9 | G158-6578296 G503-7698436 | D78296 7698436 | WO-A12721 WO-A2995 FM-GPW1128256 | | CASE, rifle, w/HOLDER, assy----- CLAMP, axe, front, assy----- | ea ea | 1 1 |
| | G503-7698437 | 7698437 | WO-A2984 FM-GPW1128254 WO-A3652 FM-GPW1106087A | | CLAMP, axe, rear, assy----- CUP, retaining, glove compartment door lock (serial No. 20700 to serial No. 37914). SCREW, mach, fil-hd, S, cd or zn-pltd, No. 6, 32NC-2 x 3/16. | ea ea | 1 2 |
| H-1 | H101-0131885 | 131885 | | | WASHER, lock, med, S, cd or zn-pltd, No. 6 | ea | 2 |
| H-1 | H001-7025561 | 131044 | WO-A3532 | | CYLINDER, glove compartment, lock, assy (se- rial No. 20700 to serial No. 37914). | ea | 1 |
| | G503-7698433 | 7698433 | WO-A3835 | | DOOR, glove compartment, w/HINGE, assy (serial No. 137909 and after). | ea | 1 |
| | G503-7698433 | 7698433 | WO-A3434 FM-GPW1106024-B WO-A2774 WO-A2775 BUE-505284 WO-A11942 FM-GPW1153104 WO-A3436 FM-GPW110605 | | DOOR, glove compartment, w/HINGE, assy (serial No. 120698 to serial No. 137908). FRAME, tool compartment, left----- FRAME, tool compartment, right----- HANDLE, rifle holder retainer, w/CAM, assy----- | ea ea ea ea | 1 1 1 1 |
| H-1 | H001-4135661 | 120361 | | | HINGE, glove compartment door, assy (Willys serial No. 120698 and up). NUT, mach screw, hex, S, cd or zn-pltd, No. 10-24NC-2. | ea ea | 1 3 |
| H-1 | H001-7025621 | 120217 | WO-5182 FM-GPW355158S2 | | SCREW, mach, rd-hd, S, No. 10-24NC-2 x 3/8. | ea | 3 |
| | | 500862 | WO-A2811 WO-A3226 FM-GPW1146132 BUE-505275 WO-A11319 FM-GPW1153100 WO-53037 FM-33797S2 | 18-2 | WASHER, lock, med, S, cd or zn-pltd, No. 10 HINGE, tool compartment lid, assy (prior to Willys serial No. 118599). HINGE, tool compartment lid, assy (Willys serial No. 118599 and up). HOLDER, rifle, assy----- | ea ea ea ea | 3 4 4 1 |
| G-9 | | | | | BOLT, step, S, 3/16-18NC-2 x 3/4----- | ea | 2 |
| H-1 | H001-4026521 | 220070 | | | NUT, hex, reg, s-fin, S, cd or zn-pltd, 3/16- 18NC-2. | ea | 2 |
| H-1 | H001-7025711 | 120214 | | | WASHER, lock, med, S, cd or zn-pltd, 3/16 in. | ea | 2 |
| H-1 | H001-7045561 | 120387 | | | WASHER, plain, US std, cd or zn-pltd, 3/16 in. | ea | 2 |

| (1) NOTE SYMBOL | (2) STOCK NO. | (3) ORDNANCE PART NO. | (4) MFR'S PART NO. | (5) FIGURE NO. | (6) NOMENCLATURE | (7) UNIT OF MEAS- URE | (8) QUAN- TITY PER UNIT ASSEM- BLY |
|-----------------------|------------------|-----------------------------|------------------------------------------|-------------------|-------------------------------------------------------------------------------------|-----------------------------------|------------------------------------------------------|
| | | | | | GROUP 18—BODY—Continued | | |
| | | | | | 1808—STOWAGE RACKS, BOXES, AND STRAPS—Continued | | |
| | G503-7361993 | 7361993 | WO-A3198 FM-GPW1146152 | ----- | HOUSING, tool compartment lock----- | ea | 2 |
| | G503-7341811 | 7341811 | WO-A3823 FM-GPW1106084B | ----- | LATCH, glove compartment door, assy (Willys serial No. 37914 and up). | ea | 1 |
| | | | WO-A3537 FM-356123S7 | ----- | NUT, hex, thin, S, cd-pltd, 3/4-28NF----- | ea | 1 |
| | G503-7698458 | 7698458 | WO-A2810 | ----- | LID, tool compartment, w/HINGE, assy (through Willys serial No. 118599). | ea | 2 |
| | | | WO-A3227 FM-GPW1146100 | 18-1 | LID, tool compartment, w/HINGE, assy (Willys serial No. 118599 and up). | ea | 2 |
| H-1 | H001-4135661 | 120361 | ----- | ----- | NUT, mach screw, hex, S, cd or zn-pltd, No. 10-24NC-2. | ea | 6 |
| | | | WO-5182 FM-355158S7 | ----- | SCREW, mach, rd-hd, S, cd-pltd, No. 10- 24NC-2 x 3/8. | ea | 6 |
| H-1 | H001-7025621 | 120217 | ----- | ----- | WASHER, lock, med, S, cd or zn-pltd, No. 10. | ea | 6 |
| | | | TA-OP528 WO-A2895 FM-GPW1143507 | ----- | LOCK, tool compartment lid----- | ea | 2 |
| H-1 | H001-4135661 | 120361 | ----- | ----- | NUT, mach screw, hex, S, cd or zn-pltd, No. 10-24NC-2. | ea | 4 |
| | | | WO-52236 | ----- | SCREW, mach, rd-hd, S, No. 10-24NC-2 x 3/8. | ea | 4 |
| H-1 | H001-7025621 | 120217 | ----- | ----- | WASHER, lock, med, S, cd or zn-pltd, No. 10. | ea | 4 |
| H-1 | H101-0142745 | 142745 | WO-A2466 FM-33896S2 | ----- | NUT, wing, light, S, cd or zn-pltd, 1/8-18NC-2 x 1 (on rear seat for tire pump). | ea | 2 |
| | | | BUE-505288 WO-A11944 FM-GPW1153110 | ----- | PLATE, rifle holder retainer clamp handle----- | ea | 1 |

| | | | | | | |
|-----|--------------|---------|----------------|---------------------------------------------------------------------------|----|---|
| H-1 | H001-5149121 | 132969 | | SCREW, mach, rd-hd, S, cd or zn-pltd, No. 12-24NC-2 x 3/8. | ea | 4 |
| H-1 | H001-7025651 | 121744 | | WASHER, lock, med, S, cd or zn-pltd, No. 12. | ea | 4 |
| | | | WO-A3538 | PLATE, tapping, glove compartment hinge (Wilys serial No. 137909 and up). | ea | 1 |
| | | | WO-A3943 | SEAL, glove compartment door | ea | 1 |
| | | | FM-GPW1102330A | | | |
| | G503-7698459 | 7698459 | WO-A2503 | SEAL, tool compartment lid | ea | 1 |
| | | | FM-GPW1146102A | | | |
| | G503-7743813 | 7743813 | WO-A3934 | SEAL, tool compartment lid, long | ea | 2 |
| | G503-7744399 | 7744399 | WO-A3933 | SEAL, tool compartment lid, short | ea | 2 |
| | | | BUE-505282 | SPRING, retaining, rifle holder, assy | ea | 1 |
| | | | WO-A11946 | | | |
| | | | FM-GPW1153123 | | | |
| | | | BUE-505287 | SPRING, rifle holder retainer handle cam | ea | 1 |
| | | | WO-A11940 | | | |
| | | | FM-GPW1153107 | | | |
| | G503-7698474 | 7698474 | WO-A3437 | SPRING, tension, glove compartment door | ea | 1 |
| | | | FM-GPW1106068 | | | |
| | G503-7698489 | 7698489 | WO-A4127 | STRAP, spare gasoline can, w/BUCKLE, assy | ea | 1 |
| | | | FM-GPW1140334 | | | |
| | | | WO-53056 | RIVET, tubular, 3/4 x 1 1/2 | ea | 8 |
| | | | WO-53057 | WASHER, plain, S, 3/2 ID, 7/16 OD | ea | 8 |
| | G503-7698490 | 7698490 | WO-A4128 | STRAP, spare gasoline can, w/TIP, assy | ea | 1 |
| | | | FM-GPW1140344 | | | |
| | | | WO-A3818 | STRIKER, glove compartment door lock (Wilys serial No. 137909 and up). | ea | 1 |
| | | | FM-GPW1106064 | | | |
| | | | WO-5182 | SCREW, mach, rd-hd, S, No. 10-24NC-2 x 3/8. | ea | 1 |
| H-1 | H001-7025621 | 120217 | | WASHER, lock, med, S, cd or zn-pltd, No. 10. | ea | 1 |
| | | | WO-52220 | WASHER, plain, S, No. 10 | ea | 1 |
| | | | WO-A2832 | STRIKER, tool compartment lid lock | ea | 2 |
| | | | FM-GPW1146126 | | | |
| | G503-7698452 | 7698452 | WO-A4130 | SUPPORT, spare gasoline can | ea | 1 |
| | | | FM-GPW1140348 | | | |

| (1) NOTE SYMBOL | (2) STOCK NO. | (3) ORDNANCE PART NO. | (4) MFR'S PART NO. | (5) FIGURE NO. | (6) NOMENCLATURE | (7) UNIT OF MEAS- URE | (8) QUAN- TITY PER UNIT ASSEM- BLY |
|--------------------------------------------------|------------------|-----------------------------|-------------------------------------|-------------------|------------------------------------------------------------------------------------|-----------------------------------|------------------------------------------------------|
| GROUP 21—BUMPERS AND GUARDS | | | | | | | |
| 2101—BUMPERS, FILLERS, LINERS, AND GUARDS | | | | | | | |
| G-9 | G503-7698481 | 7698481 | WO-A1117 FM-GPW17750 | | BAR, bumper, front..... | ea | 1 |
| H-1 | H001-4167561 | 120368 | | | NUT, hex, light, s-fin, S, cd or zn-pltd, $\frac{5}{16}$ - 24NF-2. | ea | 4 |
| H-1 | H101-0100023 | 100023 | WO-51823 FM-355456S | | SCREW, cap, hex-hd, S, $\frac{5}{16}$ -24NF x 4 $\frac{1}{2}$ | ea | 4 |
| H-1 | H001-7025711 | 120214 | | | WASHER, lock, med, S, cd or zn-pltd, $\frac{5}{16}$ in.... | ea | 4 |
| G-9 | G503-7698482 | 7698482 | WO-A1157 FM-GPW17775 | 16-3 | BUMPERETTE, rear..... | ea | 2 |
| H-1 | H001-4167601 | 120369 | | | NUT, hex, light, s-fin, S, cd or zn-pltd, $\frac{3}{8}$ - 24NF-2. | ea | 8 |
| H-1 | H001-5027111 | 213922 | | | SCREW, cap, hex-hd, S, cd or zn-pltd, $\frac{3}{8}$ - 24NF-2 x $\frac{3}{4}$. | ea | 8 |
| H-1 | H001-7025741 | 120382 | | | WASHER, lock, med, S, cd or zn-pltd, $\frac{3}{8}$ in.... | ea | 8 |
| G-9 | G503-7698454 | 7698454 | WO-A1147 FM-GPW17751 WO-A2858 | | FILLER, front bumper bar (wood)..... | ea | 1 |
| H-1 | H001-4167581 | 120377 | | | FRAME, radiator guard, assy (Willys only, before serial No. 125809). | ea | 1 |
| H-1 | H001-5026731 | 213600 | | | NUT, hex, light, s-fin, S, cd or zn-pltd, $\frac{3}{8}$ - 16NC-2. | ea | 3 |
| H-1 | H001-7025741 | 120382 | | | SCREW, cap, hex-hd, S, cd or zn-pltd, $\frac{3}{8}$ - 16NC-2 x $\frac{1}{8}$. | ea | 3 |
| H-1 | H001-7043741 | 120394 | | | WASHER, lock, med, S, cd or zn-pltd, $\frac{3}{8}$ in.... | ea | 3 |
| H-1 | H001-7043741 | 120394 | | | WASHER, plain, SAE std, S, cd or zn-pltd, $\frac{3}{8}$ in. | ea | 3 |
| G-9 | G503-7698455 | 7698455 | WO-A4118 FM-GPW13176 | | GUARD, blackout driving light, w/SUPPORT, assy. | ea | 1 |
| H-1 | H001-4167561 | 120368 | | | NUT, hex, light, s-fin, S, cd or zn-pltd, $\frac{5}{16}$ - 24NF-2. | ea | 3 |
| H-1 | H001-5026411 | 213904 | | | SCREW, cap, hex-hd, S, cd or zn-pltd, $\frac{5}{16}$ - 24NF-2 x $\frac{3}{4}$. | ea | 2 |

| | | | | | | | |
|-----|--------------|---------|-------------|------|----------------------------------------------------------------------------------------------------|----|----|
| H-1 | H101-0213910 | 213910 | | | SCREW, cap, hex-hd, S, cd or zn-pltd, $\frac{5}{16}$ -24NF-2 x 1. | ea | 1 |
| | | | WO-53025 | | WASHER, lock, int-ext-teeth, S, cd or zn-pltd, $\frac{5}{16}$ in. | ea | 2 |
| | | | FM-356309S7 | | WASHER, lock, med, S, cd or zn-pltd, $\frac{5}{16}$ in. | ea | 3 |
| H-1 | H001-7025711 | 120214 | | | GUARD, radiator, assy (After Willys Serial No. 125809). | ea | 1 |
| | G503-7741431 | 7741431 | WO-A3615 | 18-1 | NUT, mach screw, hex, S, cd or zn-pltd, $\frac{5}{16}$ -18NC-2. | ea | 6 |
| | | | FM-GPW8307 | | RETAINER, nut | ea | 6 |
| H-1 | H001-4135781 | 134556 | | | SCREW, cap, hex-hd, S, cd or zn-pltd, $\frac{5}{16}$ -18NC-2 x $\frac{5}{8}$. | ea | 6 |
| | | | WO-A3549 | | WASHER, lock, med, S, cd or zn-pltd, $\frac{5}{16}$ in. | ea | 6 |
| H-1 | H001-5026111 | 214018 | | | WASHER, plain, U S std, S, cd or zn-pltd, $\frac{5}{16}$ in. | ea | 6 |
| H-1 | H001-7025711 | 120214 | | | LINER, radiator guard to hood, center | ea | 1 |
| H-1 | H001-7045561 | 120387 | | | LINER, radiator guard to hood, side | ea | 2 |
| G-9 | G503-7698451 | 7698451 | WO-A3094 | | RIVET, split, fl-ck-hd, br, blk-enmld, $\frac{3}{4}$ x $\frac{1}{2}$ x $1\frac{1}{32}$ slot depth. | ea | 11 |
| | | | FM-GPW8348 | | | | |
| | G503-7741432 | 7741432 | WO-A3095 | | | | |
| | | | FM-GPW8349 | | | | |
| H-1 | H101-0136822 | 136822 | | | | | |

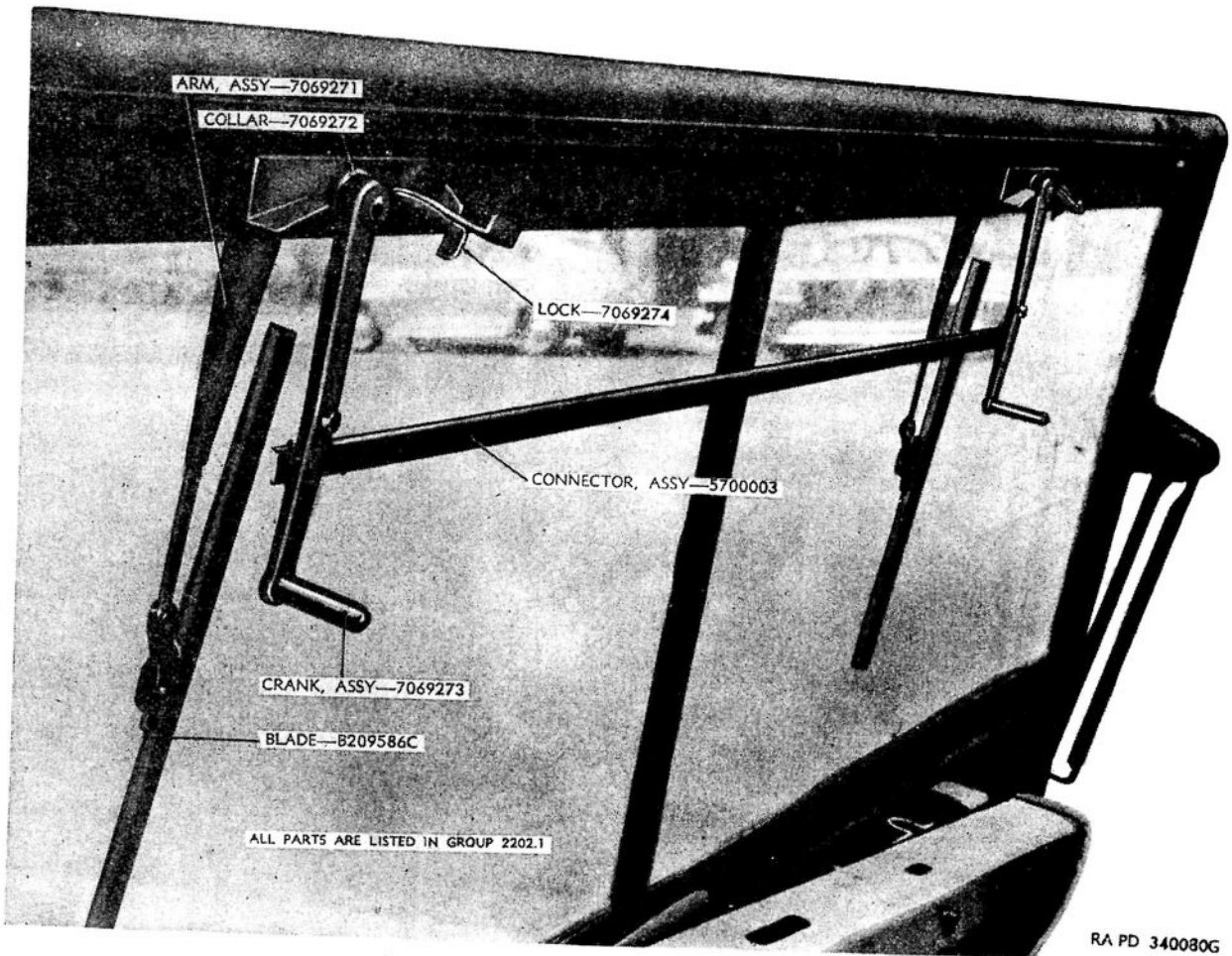
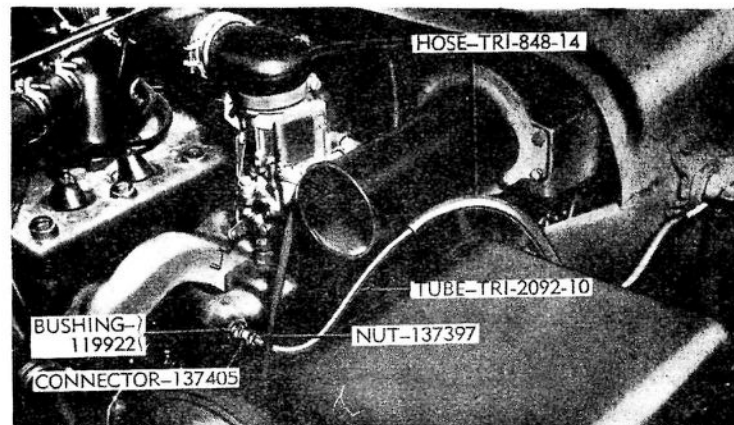
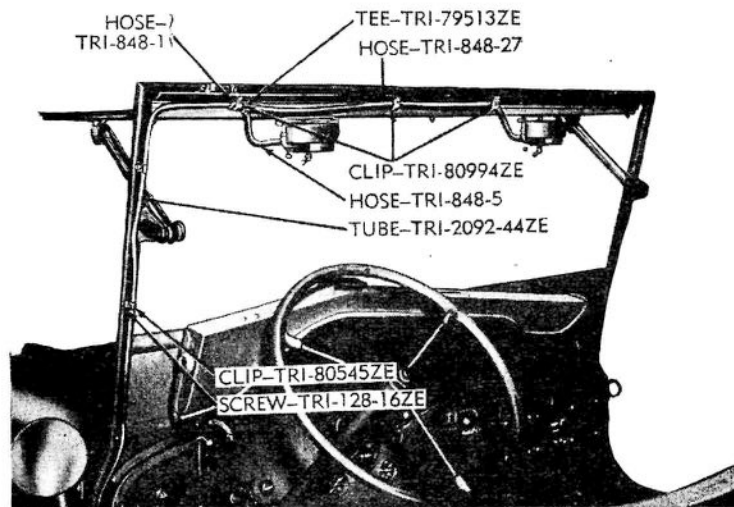
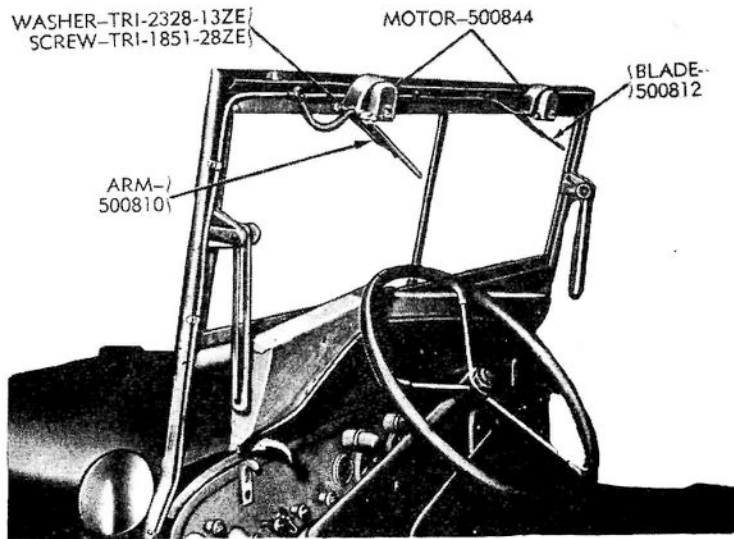


Figure 22-1. Hand windshield wiper, installed.



ALL PARTS LISTED IN GROUP 2202.2

RA PD 355069

Figure 22-2. Vacuum windshield wiper, installed

| (1) NOTE SYMBOL | (2) STOCK NO. | (3) ORDNANCE PART NO. | (4) MFR'S PART NO. | (5) FIGURE NO. | (6) NOMENCLATURE | (7) UNIT OF MEAS- URE | (8) QUAN- TITY PER UNIT ASSEM- BLY |
|----------------------------------------------|------------------|-----------------------------|---------------------------------------------------|-------------------|-----------------------------------------------------------------------------|-----------------------------------|------------------------------------------------------|
| GROUP 22—MISCELLANEOUS EQUIPMENT | | | | | | | |
| 2201—CANVAS ITEMS, BOWS, AND CURTAINS | | | | | | | |
| | G503-7743538 | 7743538 | FM-GPW1151272 | ----- | BOW, top, front, assy (Superseded by BOW WO-A2897). | ea | 1 |
| | G503-7698483 | 7698483 | FM-GPW1151268 | ----- | BOW, top, w/hand RAIL, assy (w/o footman LOOP (Superseded by BOW WO-A2897). | ea | 1 |
| | G503-7698484 | 7698484 | WO-A2897 FM-GPW1151266 WO-5216 FM-60470S | 18-1 | BOW, top, w/footman LOOP, assy (Includes top front BOW, assy). | ea | 1 |
| | G503-7743508 | 7743508 | WO-A2744 FM-GPW1129069 | ----- | RIVET, solid, rd-hd, 1/16 x 1 | ea | 2 |
| | G503-7743509 | 7743509 | WO-A2745 FM-GPW1129068 | 18-1 | BRACKET, left hand rail, front, assy | ea | 1 |
| H-1 | H001-4026521 | 220070 | ----- | ----- | BRACKET, right hand rail, front, assy | ea | 1 |
| H-1 | H001-5026101 | 214017 | ----- | ----- | NUT, hex, reg, s-fin, S, cd or zn-pltd, 1/16-18NC-2. | ea | 2 |
| H-1 | H001-7025711 | 120214 | ----- | ----- | SCREW, cap, hex-hd, S, cd or zn-pltd, 1/16-18NC-2 x 1/2. | ea | 2 |
| | G503-7698447 | 7698447 | WO-A2754 FM-GPW1153030 | 18-1 | WASHER, lock, med, S, cd or zn-pltd, 1/16 in. | ea | 2 |
| H-1 | H001-4026521 | 220070 | ----- | ----- | BRACKET, top bow pivot | ea | 2 |
| H-1 | ----- | 214226 | ----- | ----- | NUT, hex, reg, s-fin, S, cd or zn-pltd, 1/16-18NC-2. | ea | 6 |
| H-1 | H001-5091231 | 133822 | ----- | ----- | SCREW, cap, hex-hd, corr-res-S, 1/2-20NF-2 x 4. | ea | 2 |
| H-1 | H001-7025711 | 120214 | ----- | ----- | SCREW, mach, fl-hd, S, cd or zn-pltd, 1/16-18NC-2 x 1/8. | ea | 4 |
| H-2 | H002-0543487 | 543487 | ----- | ----- | WASHER, lock, med, S, cd or zn-pltd, 1/16 in. | ea | 6 |
| H-2 | H002-0582935 | 582935 | ----- | ----- | BUCKLE, web strap, S, phos-ctd, 1 in. (rear curtain and top cover strap). | ea | 7 |
| | | 42-C-6620 | ----- | ----- | CAP, rivet type fastener (top cover to side curtain stud). | ea | 16 |
| H-2 | H002-0101260 | 502102 | ----- | ----- | CLIP, end, web strap, br, bz-fin, 1 in. (rear curtain and top cover strap). | ea | 7 |
| | G503-7698480 | 7698480 | WO-A3070 FM-GPW1102980 | ----- | COVER, headlight | ea | 2 |

| | | | | | | | |
|-----|--------------|-----------|---------------------------------------|------|---------------------------------------------------|----|----|
| | G503-7721446 | 7721446 | WO-A2909 WO-A3216 FM-GPW1152700 | | COVER, top, assy (Superseded by COVER7335115) | ea | 1 |
| | G503-7335115 | 7335115 | | | COVER, top, assy | ea | 1 |
| | G503-7698476 | 7698475 | WO-A3211 FM-GPW1103214 | | COVER, windshield, assy | ea | 1 |
| | G503-7335135 | 7335136 | | | CURTAIN, rear, assy (Used w/COVER, 7335115) | ea | 1 |
| | G503-7698477 | 7698477 | WO-A2998 FM-GPW1120041 | | CURTAIN, side, left, assy | ea | 1 |
| | G503-7698478 | 7698478 | WO-A2999 FM-GPW1120040 | | CURTAIN, side, right, assy | ea | 1 |
| | | | CNC-0 WO-A3113 FM-348148S | | EYELET, curtain fastener | ea | 16 |
| H-2 | H002-0582936 | 582936 | | | EYELET, snap fastener, No. 22 size (top cover to | ea | 16 |
| | | 42-E-4060 | | | side curtain stud). | | |
| H-2 | H102-0426687 | 426687 | | | EYELET, large, turnbutton fastener, br, black, | ea | 14 |
| | | | | | 5/16 in. long prong (flap (8); rear curtain (6)). | | |
| H-2 | H002-0211740 | 106475 | | | EYELET, push button fastener, br, black, 3/16 in. | ea | 10 |
| | | | | | long barrel (top cover to windshield). | | |
| | | | CNC-50 WO-A3052 FM-95626S | | FASTENER, side curtain (male, flush type) | ea | 14 |
| | | | CNC-12 WO-A3112 FM-95633S | | FASTENER, side curtain (single post, type) | ea | 11 |
| | G503-7335147 | 7335147 | | | FLAP, top cover, left, assy | ea | 1 |
| | G503-7335148 | 7335148 | | | FLAP, top cover, right, assy | ea | 1 |
| | G503-7698440 | 7698440 | WO-A2168 FM-GPW1154810A | 15-3 | LOOP, footman | ea | 10 |
| H-1 | H001-4135661 | 120361 | | | NUT, mach screw, hex, S, cd or zn-pltd, No. | ea | 20 |
| | | | | | 10-24NC-2. | | |
| | | | WO-6290 FM-355162S2 | | SCREW, mach, fl-hd, S, No. 10-24NC-2 x 1/2, | ea | 20 |
| | | | | | phos-ctd. | | |
| H-1 | H001-7025621 | 120217 | | | WASHER, lock, med, S, cd or zn-pltd, No. 10 | ea | 20 |
| | G503-7698479 | 7698479 | WO-A2901 FM-GPW1151270 | | PIVOT, top bow, assy | ea | 2 |
| H-1 | H001-5420481 | 122104 | | | SCREW, cap, hex-hd, S, cd or zn-pltd, 3/8- | ea | 2 |
| | | | | | 16NC-3 x 3/8. | | |
| H-1 | H001-7025741 | 120382 | | | WASHER, lock, med, S, cd or zn-pltd, 3/8 in. | ea | 2 |
| H-1 | H001-7043741 | 120394 | | | WASHER, plain, SAE std, S, cd or zn-pltd, | ea | 2 |
| | | | | | 3/8 in. | | |
| | | | WO-A2900 FM-GPW1153142 | | PIVOT, top, front bow | ea | 2 |
| | | | CNC-58 WO-A3111 FM-353104S | | PLATE, back, clincher | ea | 1 |

| (1) NOTE SYMBOL | (2) STOCK NO. | (3) ORDNANCE PART NO. | (4) MFR'S PART NO. | (5) FIGURE NO. | (6) NOMENCLATURE | (7) UNIT OF MEAS- URE | (8) QUAN- TITY PER UNIT ASSEM- BLY |
|-----------------------|------------------|-----------------------------|-------------------------------------------------------------------------------------|-------------------|-----------------------------------------------------------------------------------------------------------------|-----------------------------------|------------------------------------------------------|
| | | | | | GROUP 22—MISCELLANEOUS EQUIPMENT— Continued | | |
| | | | | | 2201—CANVAS ITEMS, BOWS, AND CURTAINS—Continued | | |
| | G503-7335119 | 7335119 | ----- | ----- | PLATE, fastener stud (Carr No. 401A) (top cover to side curtain stud). | ea | 8 |
| | G503-7743560 | 7743560 | WO-A2214 FM-GPW1150498 CNC-515 WO-A3051 FM-95705S | 18-1 | SCREW, thumb, 3/8-24NF (top bow)----- | ea | 2 |
| | | | WO-A3109 FM-GPW1152730 WO-A3110 FM-GPW1152720 WO-A3141 FM-GPW1152950 | ----- | SOCKET, curtain fastener----- | ea | 14 |
| | | | | ----- | STRAP, top hold down, rear, assy----- | ea | 6 |
| | | | | 18-1 | STRAP, top lock, assy----- | ea | 2 |
| | | | | ----- | STRAP, top roll, assy----- | ea | 2 |
| H-2 | H102-0116266 | 116266 | ----- | ----- | STUD, small turnbutton fastener, dble, br, black, two 1/4 in. diam screw hole base (top cover to side curtain). | ea | 8 |
| | | | WO-A2639 FM-356522S2 CNC-98 WO-A3054 FM-95627S | ----- | WASHER, anti-rattle, top bow pivot----- | ea | 2 |
| | | | | ----- | WASHER, curtain eyelet fastener----- | ea | 32 |
| H-2 | H102-0426686 | 426686 | ----- | ----- | WASHER, large turnbutton fastener eyelet, br, black (flap (8); rear curtain (6)). | ea | 14 |
| H-2 | H062-0211745 | 106476 | ----- | ----- | WASHER, push button fastener eyelet, br, black (top cover to windshield). | ea | 10 |
| | | | CNC-60 WO-3053 FM-95628S WO-A2902 FM-351370S2 | ----- | WASHER, side curtain fastener----- | ea | 14 |
| | | | | ----- | WASHER, plain, special, S, phos-ctd, 3/16 x 1 x 1/16 (top bow, front pivot). | ea | 2 |
| | | | | | 2202—MIRRORS AND REFLECTORS | | |
| | H017-0547250 | 547250 | ----- | ----- | ARM, adjustable, rear view mirror----- | ea | 1 |

| | | | | | | | |
|-------------------------------------|------------------|--------------------|-------------------------------------------|--------------|------------------------------------------------------------|----|---|
| | H017-0547202 | 547202 | WO-A11850 FM-21CS17718A FM-GP17723A | | MIRROR, rear view, assy (includes NUT and WASHER). | ea | 1 |
| G-9 | 3320-21CS1768-2B | | WO-A2934 FM-21CS17682B | 18-2 | MIRROR, rear view, w/ARM, assy | ea | 1 |
| H-1 | H001-4135701 | 121743 | | | NUT, mach screw, hex, S, cd or zn-pltd, No. 12-24NC-2. | ea | 6 |
| H-1 | H001-5149151 | 132979 | | | SCREW, mach, rd-hd, S, cd or zn-pltd, No. 12-24NC-2 x 5/8. | ea | 6 |
| H-1 | H001-7025651 | 121744 | | | WASHER, lock, med, S, cd or zn-pltd, No. 12- | ea | 6 |
| H-17 | H017-0506101 | 506101 | CB-3121441 | 15-3 18-1 | REFLECTOR, ruby, 4 1/2 in. diam | ea | 4 |
| H-1 | H001-4135761 | 142247 | | | NUT, mach screw, hex, S, cd or zn-pltd, 1/4-28NF-2. | ea | 8 |
| H-1 | H101-0187865 | 187865 | | | SCREW, mach, rd-hd, S, cd or zn-pltd, 1/4-28NF-2 x 1/2. | ea | 8 |
| H-1 | H001-7025681 | 120380 | | | WASHER, lock, med, S, cd or zn-pltd, 1/4 in | ea | 8 |
| 2202.1—HAND WINDSHIELD WIPER | | | | | | | |
| | | 7069271 | | 22-1 | ARM, assy (tension type wiper) | ea | 2 |
| | G503-7002982 | 7002982 | WO-A2512 FM-GP17535 | | ARM, w/BLADE, assy | ea | 2 |
| H-1 | H001-4135701 | 121743 | | | NUT, mach screw, hex, S, cd or zn-pltd, No. 12-24NC-2. | ea | 2 |
| H-1 | H001-7025651 | 121744 | | | WASHER, lock, med, S, cd or zn-pltd, No. 12- | ea | 2 |
| | G503-7324836 | 7324836 | WO-A2584 FM-351303S2 | | WASHER, plain, special, S, phos-ctd, 3/2 ID x 1/2 OD. | ea | 2 |
| H-17 | H017-0500813 | B209586C 500813 | | 22-1 | BLADE, 9 in. long (tension type wiper) | ea | 2 |
| | G503-7002981 | 7002981 | WO-A4687 FM-GP17528 | | BLADE | ea | 2 |
| | | 7069272 | WO-53243 FM-63848S | 22-1 | RIVET, tubular, oval-hd, S, 1/8 x 1 1/2 | ea | 2 |
| | | 5700003 | | 22-1 | COLLAR, spacing, spring type (tension type wiper) | ea | 2 |
| | | | | | CONNECTOR, crank to crank, assy (tension type wiper). | ea | 1 |
| H-1 | H001-5147511 | 122159 | | | SCREW, mach, rd-hd, S, cd or zn-pltd, No. 8-32NC-2 x 1/4. | ea | 2 |
| H-1 | H001-7021651 | 138530 | | | WASHER, lock, int-teeth, reg, S, cd or zn-pltd, No. 8. | ea | 2 |
| | | 7069273 | | 22-1 | CRANK, w/SHAFT, assy (tension type wiper) | ea | 2 |
| | G503-7743536 | 7743536 | WO-A2513 FM-GP17531 | | HANDLE, w/KNOB, assy (single wiper) | ea | 2 |
| | G503-7036573 | 7036573 | TRI-80540 WO-A11432 FM-GPW17526 | | HANDLE, w/tie ROD, assy (for Tandem wiper) | ea | 1 |

| (1) NOTE SYMBOL | (2) STOCK NO. | (3) ORDNANCE PART NO. | (4) MFR'S PART NO. | (5) FIGURE NO. | (6) NOMENCLATURE | (7) UNIT OF MEAS- URE | (8) QUAN- TITY PER UNIT ASSEM- BLY |
|-----------------------|------------------|-----------------------------|-----------------------|-------------------|-------------------------------------------------------------------------------------------------------------|-----------------------------------|------------------------------------------------------|
| | | | | | GROUP 22—MISCELLANEOUS EQUIPMENT Continued | | |
| | | | | | 2202.1—HAND WINDSHIELD WIPER—Continued | | |
| | 800-728-2 | 7069274 | WO-A2586 | 22-1 | LOCK, stop, crank (tension type wiper)----- | ea | 1 |
| | G503-7002980 | 7002980 | FM-GP17500 | | WIPER, windshield, hand, single, assy----- | ea | 2 |
| | G503-5700002 | 5700002 | WO-A11433 | 18-2 | WIPER, windshield, hand, tandem, assy----- | ea | 1 |
| | | | FM-GPW17500 | | WIPER, windshield, hand, tension type, assy----- | ea | 1 |
| | | | | | 2202.2—VACUUM WINDSHIELD WIPER | | |
| H-17 | H017-0500810 | 500810 | TRI-SP-AL102 | 22-2 | ARM, adjustable, 8 to 11½ in----- | ea | 2 |
| | | | WO-A12865 | | | | |
| | | | FM-G8T18279A | | | | |
| H-17 | H017-0500812 | 500812 | TRI-E778-30ZE | 22-2 | BLADE, 8¼ in----- | ea | 2 |
| | | | WO-A12864 | | | | |
| | | | FM-G8T17528B | | | | |
| H-6 | H106-0119922 | 119922 | TRI-F1059J | 22-2 | BUSHING, pipe, shoulder, S, glvd, ¼ x ⅛ (to in- take manifold). | ea | 1 |
| | | | TRI-80994ZE | 22-2 | CLIP, hoses----- | ea | 3 |
| | | | TRI-80545ZE | 22-2 | CLIP, tubes----- | ea | 4 |
| | | | TRI-128-16ZE | 22-2 | SCREW----- | ea | 7 |
| H-6 | H006-0214315 | 137405 | | 22-2 | CONNECTOR, flared tube, inverted, br, ¼ in. tube, ⅛ in. male pipe end (w/o NUT) (to intake manifold). | ea | 1 |
| G-9 | G518-7000997 | 7000997 | WO-345961 | | GROMMET, ru 1½/32 (windshield wiper line through cowl). | ea | 1 |
| | | | FM-GPW13434A | | | | |
| | | | TRI-848-5 | 22-2 | HOSE, motor to tee, left----- | ea | 1 |
| | | | TRI-848-27 | 22-2 | HOSE, motor to tee, right----- | ea | 1 |
| | | | TRI-848-1 | 22-2 | HOSE, tee to tube----- | ea | 1 |
| | | | TRI-848-14 | 22-2 | HOSE, upper to lower tube----- | ea | 1 |
| | G503-7099461 | 7099461 | WO-640527 | | LINE, vacuum, assy (lower)----- | ea | 1 |
| | | | FM-GPW17536 | | | | |
| H-17 | H017-0500844 | 500844 | TRI-S583-1 | 22-2 | MOTOR, windshield wiper----- | ea | 2 |
| | | | WO-663366 | | | | |
| | | | FM-GPA17508 | | | | |

| | | | | | | | |
|---------------------------------------------|---------------|---------|--------------------------------------------------------------------------------------|------------------------------|--------------------------------------------------------------------------------------------------------------------------------------------------------------------------------------------------------------------------------------------------------|------------------------|---------------------|
| H-6 | H006-0230310 | 137397 | TRI-1851-28ZE TRI-2328-13ZE | 22-2 22-2 22-2 | SCREW, mach, No. 10-32 x 1/2 WASHER, lock, No. 10 NUT, inverted flared tube fitting, S, cd or zn-pltd, 1/4 in. | ea ea ea | 4 4 1 |
| G-9 | G502-7099460 | 7099460 | TRI-79513ZE WO-A12751 FM-11C17489 TRI-2092-10 TRI-2092-44ZE WO-A12755 | 22-2 22-2 22-2 | TEE, vacuum line TUBE, lower (See LINE, vacuum 7099461) TUBE, upper, vacuum line | ea ea ea | 1 1 1 |
| 2208.1—SPFEDOMETER AND RELATED PARTS | | | | | | | |
| G-9 | G503-7044232 | 7044232 | SW-777F1.1038 | | ADAPTER, speedometer (Used only when 7.50 x 16 tires are installed). | ea | 1 |
| | | | AL-SPK66 WO-A8242 | | BRACKET, mounting (Auto-Lite speedometer) | ea | 1 |
| | | | KS-40333 WO-A8126 | | BRACKET, mounting (King-Seely speedometer) | ea | 1 |
| G-9 | 2980-SPS1100R | | AL-SPS1100R WO-A1343 FM-GPW17261A WO-A5449 FM-GPW2281 | | CASING, flexible shaft, assy (52 long) CLIP, open, 5/16 in. 7/32 bolt hole (speedometer shaft). | ea ea | 1 2 |
| H-1 | H001-4135661 | 120361 | | | NUT, mach screw, hex, S, cd or zn-pltd, No. 10-24NC-2. | ea | 2 |
| H-1 | H001-5148271 | 120222 | | | SCREW, mach, rd-hd, S, cd or zn-pltd, No. 10-24NC-2 x 5/8. | ea | 2 |
| H-1 | H001-7025621 | 120217 | | | WASHER, lock, med, S, cd or zn-pltd, No. 10 | ea | 2 |
| G-9 | G503-0384600 | | AL-SPS1105X WO-A1344 FM-GPW17262 | | CORE, flexible shaft, assy (53 1/2 long) | ea | 1 |
| G-9 | G518-7000997 | 7000997 | WO-345961 FM-GPW13434A AL-8X72B WO-A8127 | | GEAR, drive and driven (See sub-group 0802.5) GROMMET, rubber, 1 1/2 ID (flexible shaft through cowl). | ea ea | 1 2 |
| H-1 | H001-1518005 | 106497 | AL-12X196 WO-A8129 KS-40350 WO-A8125 KS-5131 WO-53194 SW-17641 | | NUT, wing, S, No. 10-32NF (Auto-Lite speed- ometer). WASHER, lock, med, S, No. 10 (Auto-Lite speedometer). NUT, wing, No. 10-32NF speedometer mounting (King-Seely speedometer). WASHER, lock, No. 10 (King-Seely speed- ometer). | ea ea ea ea | 2 2 2 2 |
| G-9 | G085-1102402 | | SW-5052 | | NUT, wing, No. 10 speedometer mounting (Stew- art Warner speedometer). WASHER, lock, No. 10 (Stewart Warner speedometer). | ea ea | 2 2 |

| (1) NOTE SYMBOL | (2) STOCK NO. | (3) ORDNANCE PART NO. | (4) MFR'S PART NO. | (5) FIGURE NO. | (6) NOMENCLATURE | (7) UNIT OF MEAS- URE | (8) QUAN- TITY PER UNIT ASSEM- BLY |
|-----------------------|------------------|-----------------------------|-----------------------------------------------------------------------------------------------|-------------------|--------------------------------------------------------|-----------------------------------|------------------------------------------------------|
| | | | | | GROUP 22—MISCELLANEOUS EQUIPMENT— Continued | | |
| | | | | | 2208.1—SPEEDOMETER AND RELATED PARTS—Continued | | |
| G-9 | G503-7744255 | 7744255 | WO-A1267 FM-GPW17260 FM-GPW17260A | ----- | SHAFT, flexible, assy (Includes CASING and CORE). | ea | 1 |
| G-9 | 3320-GPW17255 | ----- | FM-GPW17255 | ----- | SPEEDOMETER, assy (Superseded by SPEEDOMETER C138301). | ea | 1 |
| G-9 | G116-0401031 | C138301 B266142 | AL-SPK4003 KS-40355 SW-590AB WO-A5734 WO-A8180 FM-GPW17255A | 18-2 | SPEEDOMETER, assy----- | ea | 1 |
| | | | | | 2210—INSTRUCTION AND NAME PLATES | | |
| | G503-7697856 | 7697856 | WO-A1330 FM-GPW1101621A KHW-25696 WO-A5472 FM-GPW1045 WO-A11757 FM-1101629A | 18-2 | PLATE, caution (on instrument panel)----- | ea | 1 |
| | | | | ----- | PLATE, instruction, combat wheels----- | ea | 5 |
| | | | | ----- | PLATE, name, vehicle (Superseded by PLATE WO-A17344). | ea | 1 |
| | G503-7768200 | 7768200 | WO-A17344 | 18-2 | PLATE, name, vehicle----- | ea | 1 |
| | G503-7743811 | 7743811 | WO-A1331 FM-GPW1101627A | 18-2 | PLATE, shifting instruction----- | ea | 1 |

NOTES

- G-9 Items used in two or more G groups (automotive major items).
M-5 Items used in two or more lettered groups (ordnance major items).
‡ As required.

ALPHABETICAL INDEX

Certain classes of parts are not included in this index. Those parts which are attaching parts and are indented under the parts attached have been omitted as they can be located by looking up the item attached. For example: to find attaching parts for the oil pan, look up PAN, oil, in this index and turn to the group referenced where the attaching parts will be found.

| Item | Group | Item | Group |
|----------------------------------------|----------|--------------------------------------------|----------|
| ABSORBER, shock..... | 1604 | BATTERY..... | 0612 |
| ADAPTERS: | | BEADLOCK, wheel tire..... | 1313 |
| Instrument panel light..... | 0607 | BEARINGS: | |
| Speedometer drive..... | 0802. 5; | Distributor..... | 0604. 1 |
| | 2208. 1 | Engine camshaft..... | 0105. 3 |
| AMMETER..... | 0605 | Engine connecting rod..... | 0104. 1 |
| ANTISQUEAK..... | 1701 | Generator..... | 0601. 1; |
| APRON, fender..... | 1701 | | 0601. 3 |
| ARMS: | | Heat control valve shaft..... | 0108 |
| Distributor spark advance control..... | 0604. 1 | Main, engine..... | 0102. 1 |
| Generator brush..... | 0601. 1; | Propeller shaft joint..... | 0900 |
| | 0601. 3 | Starter..... | 0603 |
| Steering gear..... | 1401. 1 | Steering bellcrank..... | 1401 |
| Steering knuckle..... | 1004 | Steering column..... | 1401. 1 |
| Windshield adjusting..... | 1804 | Transfer intermediate shaft..... | 0802. 2 |
| Windshield wiper..... | 2202. 1; | Transfer output shaft..... | 0802. 3 |
| | 2202. 2 | Transmission main drive gear..... | 0702. 1 |
| ARMATURES: | | Transmission main shaft..... | 0702. 2 |
| Generator..... | 0601. 1; | BEARING and SHAF'T, engine water pump..... | 0504 |
| | 0601. 3 | BELLCRANK, steering..... | 1401 |
| Generator regulator..... | 0602. 1; | BELLOWS, water pump seal..... | 0504 |
| | 0602. 3 | BELT, fan..... | 0505 |
| Circuit breaker..... | 0602. 1; | BLADE, windshield wiper..... | 2202. 1; |
| | 0602. 3 | | 2202. 2 |
| Current regulator..... | 0602. 1; | BLOCKS: | |
| | 0602. 3 | Cylinder..... | 0101 |
| Voltage regulator..... | 0602. 1; | Junction..... | 0608 |
| | 0602. 3 | BODIES: | |
| Starter..... | 0603 | Engine oil pump..... | 0106. 1 |
| AXLES: | | Truck, assembly..... | 1800 |
| Front assembly..... | 1000 | Water pump..... | 0504 |
| Rear assembly..... | 1100 | BOLTS: | |
| BACK, seat..... | 1806 | Adjusting, hand brake band..... | 1201. 1 |
| BAFFLE, crankcase ventilator..... | 0106. 5 | Axle spring..... | 1601. 1 |
| BALLS: | | Brake master cylinder fitting..... | 1204. 1 |
| Front axle universal joint..... | 1006 | Center, axle spring..... | 1601 |
| Steering gear worm..... | 1401. 1 | Crankshaft counterweight..... | 0102 |
| Transfer shifter shaft..... | 0804 | Engine, connecting rod cap..... | 0104. 1 |
| Transmission gear shifter lever..... | 0704 | Eye, brake pedal to master cylinder..... | 1204. 1 |
| BANDS: | | Eye, safety chain..... | 1503 |
| Generator end head..... | 0601. 1; | Glove compartment lock..... | 1808 |
| | 0601. 3 | Hand brake band clip..... | 1201. 1 |
| Hand brake..... | 1201. 1 | Headlight mounting..... | 0609. 1 |
| Starter end head..... | 0603 | Safety strap..... | 1804 |
| BARS: | | Stock steering knuckle..... | 1004 |
| Front bumper..... | 2101 | Thru, generator..... | 0601. 1 |
| Tie, brake master cylinder..... | 1204. 1 | Torque reaction spring..... | 1602 |
| BASE: | | "U", axle spring shackle..... | 1601. 1 |
| Distributor..... | 0604. 1 | "U", propeller shaft..... | 0900 |
| Shock absorber..... | 1604 | | |

ALPHABETICAL INDEX—Continued

| Item | Group | Item | Group |
|---------------------------------------------------|-----------------|------------------------------------------------|----------------|
| BOOTS: | | BUSHINGS—Continued | |
| Brake master cylinder..... | 1204. 1 | Spark plug cable support..... | 0605 |
| Brake wheel cylinder..... | 1204. 2 | Speedometer drive gear..... | 0802. 5 |
| BOW, top..... | 2201 | Steering gear housing..... | 1401. 1 |
| BRACES: | | Steering gear jacket..... | 1401. 1 |
| Fender..... | 1701 | Torque reaction spring leaf..... | 1602 |
| Frame..... | 1501 | Torque reaction spring shackle..... | 1602 |
| Generator..... | 0601. 1; | Transfer output clutch gear..... | 0802. 3 |
| | 0601. 3 | Transmission countershaft..... | 0702. 3 |
| Instrument panel to dash..... | 1808 | Transmission idler gear..... | 0702. 3 |
| BRACKETS: | | Transmission second speed gear..... | 0702. 2 |
| Brake line..... | 1204. 3 | Windshield wiper..... | 2202. 2 |
| Distributor shield..... | 0615 | BUTTON, horn contact..... | 0611 |
| Distributor stationary contact..... | 0604. 1 | CABLES: | |
| Engine oil filler pipe..... | 0106. 6 | Battery..... | 0612 |
| Engine oil filter..... | 0106. 2 | Chassis wiring..... | 0613. 1 |
| Frame..... | 1501 | Generator..... | 0601. 1 |
| Gages..... | 0607 | Generator regulator..... | 0602. 1; |
| Generator brace..... | 0601. 3 | | 0602. 3 |
| Generator regulator..... | 0602. 1; | Hand brake..... | 1201. 1; |
| | 0602. 3 | | 1201. 2 |
| Hand brake adjusting screw..... | 1201. 2 | Horn..... | 0611 |
| Hand rail..... | 2201 | Ignition coil..... | 0605 |
| Hold down battery..... | 0612 | Lights..... | 0609. 1 |
| Hood catch..... | 1703 | Spark plug..... | 0605 |
| Horn..... | 0611 | Starter..... | 0605 |
| Ignition coil..... | 0605 | Stay engine..... | 0100 |
| Mounting engine..... | 0100 | Trailer coupling socket..... | 0617 |
| Mounting speedometer..... | 2208. 1 | CAGE, front axle universal joint..... | 1006 |
| Ratchet, hand brake..... | 1201. 1; | CAMS: | |
| | 1201. 2 | Operating, hand brake..... | 1201. 1 |
| Rifle holder..... | 1808 | Service brake shoe anchor pin..... | 1202 |
| Seat..... | 1806 | CAMSHAFT, engine..... | 0105. 3 |
| Spare gasoline can..... | 1808 | CAPS: | |
| Spare wheel carrier..... | 1504 | Differential case bearing..... | 1002; 1102 |
| Top bow pivot..... | 2201 | Distributor..... | 0604. 1 |
| Windshield..... | 1804 | Dust, propeller shaft yoke..... | 0900 |
| BRAKES: | | Filler, brake master cylinder..... | 1204. 1 |
| Hand, contracting type..... | 1201. 1 | Filler radiator..... | 0501 |
| Hand, expanding type..... | 1201. 2 | Propeller shaft bearing..... | 0900 |
| Service, assembly..... | 1202 | Spark plug, oil ignition..... | 0605 |
| BREAKER, circuit, generator regulator..... | 0602. 1; | Steering knuckle..... | 1004 |
| | 0602. 3 | Tire valve..... | 1313 |
| BREAKERS, circuit..... | 0608 | Transfer output shaft bearing..... | 0801 |
| BRUSHES: | | Transmission gear shift lever housing..... | 0704 |
| Generator..... | 0601. 1; | Wheel hub..... | 1312 |
| | 0601. 3 | CAPACITORS: | |
| Horn cable contact..... | 0611 | Distributor..... | 0604. 1 |
| Starter..... | 0603 | Suppression..... | 0615 |
| BUMPERS: | | CASES: | |
| Axle..... | 1604 | Differential..... | 1002; |
| Windshield, hood top..... | 1703 | | 1102 |
| BUMPERETTE, rear..... | 2101 | Engine oil filter..... | 0106. 2 |
| BUSHINGS: | | Rifle..... | 1808 |
| Axle, spring eye..... | 1601 | Transfer..... | 0801 |
| Axle, spring shackle..... | 1601. 1 | Transmission..... | 0701 |
| Front axle universal joint..... | 1006 | CASING, speedometer flexible shaft..... | 2208. 1 |
| Front wheel spindle..... | 1004 | CATCHES: | |
| Generator brace..... | 0601. 1 | Hood..... | 1703 |
| Hand brake operating lever..... | 1201. 2 | | |
| Shock absorber..... | 1604 | | |

ALPHABETICAL INDEX—Continued

| Item | Group | Item | Group |
|---------------------------------------------|---------------------|--------------------------------------------|---------------------|
| CATCHES—Continued | | COVERS—Continued | |
| Windshield clamp..... | 1804 | Generator..... | 0601. 1; 0601. 3 |
| CHAINS: | | Generator regulator..... | 0602. 1 |
| Camshaft drive..... | 0105. 4 | Headlight..... | 2201 |
| Windshield thumb screw..... | 1804 | Inspection, transmission case..... | 0701 |
| CLAMPS: | | Rear axle housing..... | 1101 |
| Ax..... | 1808 | Shock absorber..... | 1805 |
| Brake line..... | 1204. 3 | Spark plug..... | 0615 |
| Engine oil filter..... | 0106. 2 | Steering gear housing..... | 1401. 1 |
| Hand brake cable tube..... | 1201. 1; 1201. 2 | Steering gear jacket..... | 1401. 1 |
| Steering gear jacket..... | 1401. 1 | Tie rod end..... | 1401 |
| Steering knuckle rod..... | 1401 | Top..... | 2201 |
| Windshield..... | 1804 | Trailer coupling socket..... | 0617 |
| CLEVIS, hand brake cable..... | 1201. 2 | Trailer plug housing..... | 1804 |
| CLIPS: | | Transfer case..... | 0801 |
| Axle spring leaf..... | 1601 | Transmission..... | 1805 |
| Axle spring to axle..... | 1601. 1 | Transmission gear shift lever housing..... | 0704 |
| Brake line..... | 1204. 3 | Windshield..... | 2201 |
| Chassis wiring..... | 0613. 1 | CRANKS: | |
| Distributor breaker lever spring..... | 0604. 1 | Hand brake cable..... | 1201. 1 |
| Hand brake cable tube..... | 1201. 1; 1201. 2 | Windshield wiper..... | 2202. 1 |
| Retracting spring, hand brake..... | 1201. 2 | CRANKSHAFT, engine..... | 0102 |
| Speedometer flexible shaft..... | 2208. 1 | CUPS: | |
| Torque reaction spring leaf..... | 1602 | Brake master cylinder..... | 1204. 1 |
| Windshield wiper line..... | 2202. 2 | Brake wheel cylinder..... | 1204. 2 |
| COCK, drain, engine..... | 0101 | Differential bearing..... | 1002; 1102 |
| COILS: | | Horn contact button spring..... | 0611 |
| Generator..... | 0601. 3; 0601. 1 | King pin bearing..... | 1004 |
| Starter..... | 0603 | Oil distributor..... | 0604. 1 |
| COLLARS: | | Oil generator..... | 0601. 1; 0601. 3 |
| Distributor drive shaft..... | 0604. 1 | Steering gear balls..... | 1401. 1 |
| Spacing windshield wiper..... | 2202. 1 | Transfer case support insulator..... | 1501 |
| CONDUIT, battery to starter switch cable... | 0613. 1 | Transfer support insulator..... | 0800 |
| CONES: | | Transmission, shifter shaft..... | 0701 |
| Differential bearing..... | 1002; 1102 | Wheel hub bearing..... | 1311 |
| King pin bearing..... | 1004 | CURTAIN, side..... | 2201 |
| Wheel hub bearing..... | 1311 | CUSHION, seat..... | 1806 |
| CONNECTORS: | | CYLINDERS: | |
| Crank windshield wiper..... | 2202. 1 | Glove compartment lock..... | 1808 |
| Distributor terminal post..... | 0604. 1 | Master, service brake..... | 1204. 1 |
| Generator regulator series coil..... | 0602. 1 | Wheel, service brake..... | 1204. 2 |
| Headlight harness..... | 0613. 1 | Differential, assembly..... | 1002, 1102 |
| Starter field coil..... | 0603 | DISKS: | |
| CORES: | | Engine oil pump..... | 0106. 1 |
| Speedometer flexible shaft..... | 2208. 1 | Shock absorber rebound valve..... | 1604 |
| Tire valve..... | 1313 | Wheel..... | 1311 |
| COUNTERSHAFT, transmission..... | 0702. 3 | DISTRIBUTOR..... | 0604. 1 |
| COVERS: | | DOORS: | |
| Battery..... | 0612 | Glove compartment..... | 1808 |
| Brake cylinder..... | 1805 | Lights..... | 0609. 1 |
| Distributor terminal slot..... | 0604. 1 | DRIVE, bendix starter..... | 0603 |
| Drag link..... | 1401 | DRUMS: | |
| Engine oil filter..... | 0106. 2 | Hand brake..... | 1201. 1 1201. 2 |
| Engine oil pump..... | 0106. 1 | Wheel brake..... | 1312 |
| Engine timing gear..... | 0105. 4 | ECCENTRIC, service brake shoe..... | 1202 |
| Engine valve springs..... | 0105. 1 | ELBOW, engine water outlet..... | 0503 |
| Front axle housing..... | 1001 | ELEMENT, engine oil filter..... | 0106. 2 |

ALPHABETICAL INDEX—Continued

| Item | Group | Item | Group |
|----------------------------------------|------------|--------------------------------------------|------------|
| END, tie rod..... | 1401 | GASKETS—Continued | |
| ENGINE, assembly..... | 0100 | Generator regulator terminal..... | 0602. 1 |
| EQUALIZER, starter field coil..... | 0603 | Hand brake backing plate..... | 1201. 2 |
| EYELET, curtain fastener..... | 2201 | Intake and exhaust manifold..... | 0108 |
| FANS: | | Lights..... | 0609. 1 |
| Engine..... | 0505 | Propeller shaft..... | 0900 |
| Generator ventilator..... | 0601. 3 | Radiator filler cap..... | 0501 |
| FASTENER, side curtain..... | 2201 | Rear axle housing cover..... | 1101 |
| FELT, steering knuckle oil seal..... | 1004 | Rear axle shaft..... | 1104 |
| FENDER, assembly..... | 1701 | Shock absorber..... | 1604 |
| FERRULES, horn cable..... | 0611 | Spark plug..... | 0605 |
| FILLERS: | | Steering gear housing cover..... | 1401. 1 |
| Fender brace..... | 1701 | Steering knuckle oil seal..... | 1004 |
| Front bumper bar..... | 2101 | Timing gear cover..... | 0105. 4 |
| FILTERS: | | Trailer coupling socket..... | 0617 |
| Oil, engine..... | 0106. 2 | Transfer..... | 0801 |
| Radio suppression..... | 0615 | Transfer oil seal..... | 0802. 3 |
| FITTING, brake master cylinder..... | 1204. 1 | Transmission gear shift lever housing..... | 0704 |
| FLANGES: | | Transmission to engine..... | 0700 |
| Companion, transfer, rear..... | 0802. 3 | Water pump..... | 0504 |
| Drive, front axle shaft..... | 1006 | GEARS: | |
| FLAP, wheel tire..... | 1313 | Camshaft drive..... | 0105. 4 |
| FLOAT, engine oil strainer..... | 0106. 6 | Cluster, transmission..... | 0702. 3 |
| FLYWHEEL, engine..... | 0103 | Drive speedometer..... | 0802. 5 |
| FORKS: | | Drive, transmission main..... | 0702. 1 |
| Gear shifter, transmission..... | 0704 | Driven speedometer..... | 0802. 5 |
| Shifter, transfer..... | 0804 | Engine oil pump..... | 0106. 1 |
| FRAMES: | | Reverse idler, transmission..... | 0702. 3 |
| Chassis..... | 1501 | Ring, engine flywheel..... | 0103 |
| Generator..... | 0601. 3 | Side, differential..... | 1002; 1102 |
| Hold down battery..... | 0612 | Steering, assembly..... | 1401. 1 |
| Radiator guard..... | 2101 | Transfer..... | 0802. 3 |
| Seat..... | 1806 | Transfer input..... | 0802. 1 |
| Starter..... | 0603 | Transfer intermediate shaft..... | 0802. 2 |
| Tool compartment..... | 1808 | Transmission low and reverse speed..... | 0702. 2 |
| Windshield..... | 1804 | Transmission second speed..... | 0702. 2 |
| GAGES: | | GEAR SET, differential drive..... | 1002; 1102 |
| Engine oil level..... | 0106. 6 | GENERATOR, assembly..... | 0601. 1; |
| Fuel..... | 0607 | | 0601. 3 |
| Oil pressure..... | 0607 | GLASS, windshield..... | 1804 |
| Water temperature..... | 0607 | GROMMETS: | |
| GASKETS: | | Chassis wiring..... | 0613. 1 |
| Brake line tee..... | 1204. 3 | Engine oil filter bracket..... | 0106. 2 |
| Brake master cylinder..... | 1204. 1 | Speedometer flexible shaft..... | 2208. 1 |
| Crankcase ventilator..... | 0106. 5 | Transfer shift lever..... | 1805 |
| Cylinder head..... | 0101 | Water temperature gage..... | 0607 |
| Differential pinion oil seal..... | 1002; 1102 | Windshield wiper line..... | 2202. 2 |
| Engine crankshaft slinger..... | 0102 | GUARDS: | |
| Engine front plate..... | 0105. 4 | Blackout driving light..... | 2101 |
| Engine oil filler cap..... | 0106. 6 | Brake line..... | 1204. 3 |
| Engine oil filter..... | 0106. 2 | Exhaust pipe..... | 1501 |
| Engine oil pan..... | 0106. 6 | Generator commutator and bearing..... | 0601. 1 |
| Engine oil pump..... | 0106. 1 | Radiator..... | 2101 |
| Engine oil strainer float support..... | 0106. 6 | GUIDES: | |
| Engine, valve spring cover..... | 0105. 1 | Engine valve..... | 0105. 1 |
| Engine water outlet elbow..... | 0503 | Generator brace..... | 0601. 1 |
| Front axle cover..... | 1001 | Rear axle shaft..... | 1104 |
| Generator..... | 0601. 1; | Shock absorber piston rod..... | 1604 |
| | 0601. 3 | GUSSETS: | |
| Generator regulator cover..... | 0602. 1 | Front bumper..... | 1501 |

ALPHABETICAL INDEX—Continued

| Item | Group | Item | Group |
|-----------------------------------------|---------------------|------------------------------------|------------|
| GUSSETS—Continued | | KEYS: | |
| Tow board to frame..... | 1805 | Heat control valve lever..... | 0105 |
| HANDLES: | | Ignition switch..... | 0605 |
| Body..... | 1804 | KNOBS: | |
| Hand brake cable..... | 1201. 1; 1201. 2 | Light switches..... | 0608 |
| Rifle holder..... | 1808 | Transfer gear shift lever..... | 0804 |
| Windshield frame..... | 1804 | Transmission gear shift lever..... | 0704 |
| Windshield wiper..... | 2202. 1 | Windshield adjusting..... | 1804 |
| HARNESSES, chassis wiring..... | | 0613. 1 | 1004 |
| HEADS: | | KNUCKLE, steering..... | |
| Cylinder..... | 0101 | LAMP, instrument panel..... | |
| Generator end..... | 0601. 1; 0601. 3 | 0607 | |
| Shock absorber..... | 1604 | LAMP UNIT, lights..... | |
| Starter..... | 0603 | 0609. 1 | |
| HINGES: | | LATCHES: | |
| Glove compartment door..... | 1808 | Glove compartment door..... | 1808 |
| Headlight support..... | 0609. 1 | Pintle lock..... | 1503 |
| Hood..... | 1703 | LEAVES: | |
| Tool compartment lid..... | 1808 | Axle spring..... | 1601 |
| HOLDERS: | | Torque reaction spring..... | 1602 |
| Rifle..... | 1808 | LEVERS: | |
| Starter brush..... | 0603 | Distributor breaker..... | 0604. 1 |
| HOOD, assembly..... | | Hand brake..... | 1201. 2 |
| HORN..... | | Heat control valve..... | 0108 |
| HOSES: | | Main light switch..... | 0608 |
| Engine water outlet..... | 0503 | Transfer gear shift..... | 0804 |
| Radiator to surge tank..... | 0501 | Transmission gear shift..... | 0704 |
| Radiator water connection..... | 0503 | LID, tool compartment..... | |
| Windshield wiper line..... | 2202. 2 | 1808 | |
| HOUSINGS: | | LIGHTS..... | |
| Engine flywheel..... | 0103 | 0609. 1 | |
| Front axle assembly..... | 1001 | LINES: | |
| Lights..... | 0609. 1 | Brake..... | 1204. 3 |
| Rear axle..... | 1101 | Crankcase ventilator..... | 0106. 5 |
| Starter bendix drive pinion..... | 0603 | Engine oil filter..... | 0106. 6 |
| Steering gear..... | 1401. 1 | Oil pressure gage..... | 0106. 6 |
| Tool compartment lock..... | 1808 | Service brake shoe..... | 1202 |
| Transfer, front..... | 0801 | LINERS: | |
| Transmission gear shift lever..... | 0704 | Body sill..... | 1800 |
| HUBS: | | Radiator guard to hold..... | 2101 |
| Second and high speed synchronizer..... | 0702. 2 | LINING, brake..... | |
| Wheel..... | 1312 | 1201. 1; 1201. 2; 1202 | |
| IMPELLER, water pump..... | | LINKS: | |
| INSULATORS: | | Drag..... | 1401 |
| Distributor..... | 0604. 1 | Hand brake operating cam..... | 1201. 1 |
| Engine support..... | 0100 | Hand brake operating lever..... | 1201. 2 |
| Generator..... | 0601. 1; 0601. 3 | Hand brake retracting spring..... | 1201. 2 |
| Generator regulator..... | 0602. 1; 0602. 3 | LOCKS: | |
| Starter..... | 0603 | Engine valve spring..... | 0105. 1 |
| Transfer support..... | 0800 | Pintle hook..... | 1503 |
| INTERLOCK, transfer shifter shaft..... | | Spring shackle bolt..... | 1601. 1 |
| JACKET, steering gear..... | | Tool compartment lid..... | 1808 |
| JET, oil timing gear..... | | Windshield wiper crank..... | 2202. 1 |
| JOINT, universal, front axle..... | | LOOPS: | |
| JOURNAL, propeller shaft..... | | Footman..... | 1804; 2201 |
| | | Windshield hold down..... | 1804 |
| | | MANIFOLDS: | |
| | | Exhaust, engine..... | 0108 |
| | | Intake, engine..... | 0108 |
| | | MEMBER, cross, frame..... | 1501 |
| | | MIRROR, rear view..... | 2202 |
| | | MOTOR, windshield wiper..... | 2202. 2 |
| | | NIPPLE, marker light..... | 0609. 1 |

ALPHABETICAL INDEX—Continued

| Item | Group | Item | Group |
|------------------------------------------------|---------------------|------------------------------------------------------|---------------------|
| NUTS: | | PISTONS—Continued | |
| Adjusting, hand brake | 1201. 1; 1201. 2 | Brake wheel cylinder | 1204. 2 |
| Adjusting, wheel bearing | 1311 | Engine | 0104 |
| Brake line | 1204. 3 | Shock absorber | 1604 |
| Clinch | 1701 | PIVOT, top bow | 2201 |
| Clinch, frame | 1501 | PLATES: | |
| Engine crankshaft | 0102 | Axle spring seat | 1601. 1 |
| Engine, tappet screw | 0105. 2 | Back clincher | 2201 |
| Mounting, spare wheel | 1504 | Backing, hand brake | 1201. 2 |
| Shock absorber piston rod | 1604 | Backing, service brake | 1202 |
| Wing, speedometer | 2208. 1 | Dimmer switch | 1805 |
| OUTRIGGER, frame | 1501 | Distributor | 0604. 1 |
| PACKINGS: | | End, engine, rear | 0103 |
| Crankshaft | 0102 | Engine, front | 0105. 4 |
| Transmission gear shift lever housing | 0704 | Frame | 1501 |
| PADS: | | Guide, transmission gear shift lever | 0704 |
| Crash | 1806 | Instruction | 2210 |
| Seats | 1806 | Lock, countershaft and idler shaft | 0702. 3 |
| Service brake pedal | 1204. 1 | Lock, transfer intermediate shaft | 0802. 2 |
| PADDING, windshield glass | 1804 | Name | 2210 |
| PANS: | | Second and high speed synchronizer | 0702. 2 |
| Floor | 1805 | Service brake shoe anchor pin | 1202 |
| Oil, engine | 0106. 6 | Shock absorber | 1604 |
| PANELS: | | Stop brake master cylinder piston | 1204. 1 |
| Body | 1804 | Surge tank shield | 0501 |
| Cowl | 1804 | Tapping body | 1804 |
| Dash | 1804 | Thrust, engine camshaft | 0105. 3 |
| Front seat | 1806 | PLUGS: | |
| Wheelhouse | 1804 | Air vent, front axle | 1001 |
| PEDAL, service brake | 1204. 1 | Air vent, rear axle | 1101 |
| PILLAR, cowl | 1804 | Cylinder block | 0101 |
| PILOT, front axle universal joint | 1006 | Drag link ball seat | 1401 |
| PINS: | | Drain, engine oil filter | 0106. 2 |
| Anchor, service brake shoe | 1202 | Drain, engine oil pan | 0106. 6 |
| Clevis, hand brake cable | 1201. 2 | Drain, front axle | 1001 |
| Dowel, engine flywheel | 0103 | Drain, rear axle | 1101 |
| Dowel, engine main bearing | 0102. 1 | Drain, transfer | 0801 |
| Engine piston | 0104 | Drain, transmission | 0710 |
| Front axle universal joint | 1006 | Expansion, propeller shaft yoke | 0900 |
| Guide, transmission fork | 0704 | Filler brake master cylinder | 1204. 1 |
| King | 1004 | Floor drain | 1805 |
| Lock, king pin | 1004 | Generator commutator end head bearing cover | 0601. 1 |
| Locking, differential pinion shaft | 1002; 1102 | Spark | 0605 |
| Pivot, pintle latch | 1503 | Steering gear housing | 1401. 1 |
| Steering bellcrank shaft | 1401 | Steering knuckle | 1004 |
| Transfer gear shift lever | 0804 | Transfer poppet ball spring | 0804 |
| Transmission countershaft washer | 0702. 3 | PLUNGERS: | |
| Transmission gear shift lever plate | 0704 | Distributor cap | 0604. 1 |
| PINIONS: | | Interlock transmission | 0704 |
| Differential | 1002; 1102 | Relief engine oil pump | 0106. 1 |
| Engine oil pump | 0106. 1 | Thrust, engine camshaft | 0105. 3 |
| PINTLE, assembly | 1503 | POINT SET, distributor | 0604. 1 |
| PIPES: | | POLES: | |
| Drain crankshaft bearing cap | 0102 | Shoe, generator | 0601. 1 |
| Engine oil filler | 0106. 6 | Starter field coil | 0603 |
| Radiator to surge tank | 0501 | POSTS: | |
| Radiator water connection | 0503 | Distributor terminal | 0604. 1 |
| PISTONS: | | Generator terminal | 0601. 1; 0601. 3 |
| Brake master cylinder | 1204. 1 | Starter terminal | 0603 |

ALPHABETICAL INDEX—Continued

| Item | Group | Item | Group |
|------------------------------------------|---------------------|--------------------------------------------|---------------------|
| PULLEYS: | | RINGS—Continued | |
| Engine crankshaft..... | 0102 | Snap—Continued | |
| Fan and water pump..... | 0505 | Transmission main gear seal..... | 0702. 1 |
| Generator..... | 0601. 1; 0601. 3 | Transmission main shaft pilot rollers.. | 0702. 2 |
| PUMPS: | | Starter bendix drive..... | 0603 |
| Oil, engine..... | 0106. 1 | Trailer coupling socket cover..... | 0617 |
| Water engine..... | 0504 | Windshield thumb screw..... | 1804 |
| RACE, front axle universal joint..... | 1006 | RODS: | |
| RADIATOR, assembly..... | 0501 | Brace radiator..... | 0501 |
| RAIL, side, frame..... | 1501 | Connecting engine..... | 0104. 1 |
| REFLECTOR, ruby..... | 2202 | Piston, shock absorber..... | 1604 |
| REGULATORS: | | Push, brake master cylinder..... | 1204. 1 |
| Current generator regulator..... | 0602. 1; 0602. 3 | Tie, steering..... | 1401 |
| Generator..... | 0602. 1; 0602. 3 | ROLLERS: | |
| Voltage, generator regulator..... | 0602. 1; 0602. 3 | Propeller shaft bearing..... | 0900 |
| REINFORCEMENT, engine mounting | | Transmission main shaft pilot bearing.... | 0702. 2 |
| bracket..... | 0100 | ROTORS: | |
| RESISTORS: | | Distributor..... | 0604. 1 |
| Blackout driving light..... | 0608 | Engine oil pump..... | 0106. 1 |
| Generator regulator..... | 0602. 1; 0602. 3 | SCREWS: | |
| REST, foot..... | 1805 | Adjusting, engine tappet..... | 0105. 2 |
| RETAINERS: | | Adjusting, hand brake..... | 1201. 2 |
| Body..... | 1804 | Adjusting, steering arm shaft..... | 1401. 1 |
| Brake master cylinder check valve cup.. | 1204. 1 | Bleeder, brake wheel cylinder..... | 1204. 2 |
| Crankshaft front packing..... | 0102 | Engine bearing cap..... | 0102 |
| Engine thermostat..... | 0503 | Generator..... | 0601. 1; 0601. 3 |
| Engine valve spring..... | 0105. 1 | Generator regulator..... | 0602. 1; 0602. 3 |
| Front axle universal joint shaft..... | 1006 | Starter..... | 0603 |
| Generator..... | 0601. 1; 0601. 3 | Thumb, top bow..... | 2201 |
| Grease seal, shackle..... | 0601. 1 | Windshield..... | 1804 |
| Headlight bolt..... | 0609. 1 | SEALS: | |
| Propeller shaft bearing gasket..... | 0900 | Distributor breaker plate..... | 0604. 1 |
| Service brake pedal shaft..... | 1204. 1 | Dust, tie rod end..... | 1401 |
| Spring, engine oil pump..... | 0106. 1 | Floor..... | 1805 |
| Steering knuckle oil seal..... | 1004 | Fuel tank stone guard..... | 1805 |
| Transmission main gear bearing..... | 0702. 1 | Glove compartment door..... | 1808 |
| Windshield..... | 1804 | Grease, spring shackle..... | 1601. 1 |
| RIM, wheel..... | 1311 | Oil, crankshaft, front..... | 0102 |
| RINGS: | | Oil, differential drive pinion bearing.... | 1002; 1102 |
| Contact horn cable..... | 0611 | Oil, front axle shaft..... | 1006 |
| Distributor cam..... | 0604. 1 | Oil, rear axle shaft..... | 1104 |
| Engine piston..... | 0104 | Oil, shock absorber..... | 1604 |
| Gear shift lever housing cover..... | 1805 | Oil, steering arm shaft..... | 1401. 1 |
| Packing retaining, timing gear cover.... | 0105. 4 | Oil, steering knuckle..... | 1004 |
| Retaining, steering gear balls..... | 1401. 1 | Oil, transfer output shaft..... | 0801 |
| Second and high speed synchronizer..... | 0702. 2 | Oil, transfer shifter shaft..... | 0804 |
| Snap: | | Oil, transmission main drive gear..... | 0702. 1 |
| Front axle universal joint shaft..... | 1006 | Oil, transmission main shaft..... | 0702. 2 |
| Generator armature shaft..... | 0601. 3 | Oil, wheel hub bearing..... | 1311 |
| Propeller shaft bearing..... | 0900 | Radiator air deflector..... | 1804 |
| Second and high speed synchronizer..... | 0702. 2 | Steering bellcrank bearing..... | 1401 |
| Steering gear jacket..... | 1401. 1 | Tool compartment lid..... | 1808 |
| Transfer shaft..... | 0802. 3 | Water pump..... | 0504 |
| Transmission main gear bearing..... | 0702. 1 | SEATS: | |
| | | Ball, drag link..... | 1401 |
| | | Brake master cylinder check valve..... | 1204. 1 |
| | | (Crew)..... | 1806 |

ALPHABETICAL INDEX—Continued

| Item | Group | Item | Group |
|--------------------------------------------------|------------|-------------------------------------------------|------------|
| SEATS—Continued | | SLINGERS: | |
| Shock absorber rebound spring..... | 1604 | Differential drive pinion bearing..... | 1002; 1102 |
| Steering gear jacket spring..... | 1401. 1 | Oil, crankshaft..... | 0102 |
| SHACKLE, torque reaction spring..... | | SNAP RING (See RING, snap) | |
| | 1602 | SNUBBER, transfer support insulator..... | |
| SHAFTS: | | | |
| Differential pinions..... | 1002; 1102 | SOCKETS: | |
| Distributor..... | 0604. 1 | Curtain fastener..... | 2201 |
| Engine oil pump..... | 0106. 1 | Instrument panel lamp..... | 0607 |
| Flexible speedometer..... | 2208. 1 | Trailer coupling..... | 0617 |
| Front axle..... | 1006 | SPACERS: | |
| Intermediate, transfer..... | 0802. 2 | Camshaft thrust plate..... | 0105. 3; |
| Main transmission..... | 0702. 2 | | 0105. 4 |
| Propeller..... | 9900 | Crankshaft gear or sprocket..... | 0105. 4 |
| Rear axle..... | 1104 | Differential drive pinion bearings..... | 1002; 1102 |
| Reverse idler gear..... | 0702. 3 | Frame gusset and bracket..... | 1501 |
| Service brake pedal..... | 1204. 1 | Generator..... | 0601. 1; |
| Shifter, transfer..... | 0804 | | 0601. 3 |
| Shifter, transmission..... | 0704 | Hand brake clamp..... | 1201. 2 |
| Starter bendix drive..... | 0603 | Shock absorber rebound disk..... | 1604 |
| Steering arm..... | 1401. 1 | Spare wheel bracket..... | 1504 |
| Steering bellcrank..... | 1401 | Starter bearing..... | 0603 |
| Steering gear..... | 1401. 1 | Steering gear bolt..... | 1401. 1 |
| Transfer clutch gear..... | 0802. 3 | Transmission countershaft bushings..... | 0702. 3 |
| Transfer output..... | 0802. 3 | Transmission rear bearing..... | 0702. 2 |
| SHAFT and BEARING, engine water pump..... | | Windshield adjusting arm..... | 1804 |
| | 0504 | SPEEDOMETER, assembly..... | |
| SHEATH, ax..... | | | 2208. 1 |
| | 1804 | SPINDLE, front wheel..... | |
| SHIELDS: | | | 1004 |
| Brake master cylinder..... | 1204. 1 | SPRINGS: | |
| Crankshaft pulley..... | 0102 | Axle..... | 1601 |
| Differential drive pinion..... | 1002; 1102 | Camshaft thrust plunger..... | 0105. 3 |
| Drag link cover..... | 1401 | Distributor..... | 0604. 1 |
| Propeller shaft yoke..... | 0900 | Drag link ball..... | 1401 |
| Radio suppression..... | 0615 | Engine oil filter..... | 0106. 2 |
| Steering bellcrank bearing..... | 1401 | Engine oil pump..... | 0106. 1 |
| Surge tank..... | 0501 | Engine valve..... | 0105. 1 |
| Transfer flange and yoke..... | 0802. 3 | Generator brace..... | 0601. 1 |
| SHIMS: | | Generator brush..... | 0601. 1; |
| Crankshaft, front..... | 0102 | | 0601. 3 |
| Differential case bearing..... | 1002; 1102 | Generator regulator..... | 0602. 1; |
| Differential drive pinion bearing..... | 1002; 1102 | | 0602. 3 |
| Engine front support..... | 0100 | Glove compartment door..... | 1808 |
| Engine oil pump spring..... | 0106. 1 | Hand brake..... | 1201. 1; |
| Front axle universal joint..... | 1006 | | 1201. 2 |
| King pin bearing..... | 1004 | Heat control valve..... | 0108 |
| Radiator bracket..... | 1501 | Pintle lock latch..... | 1503 |
| Steering gear..... | 1401. 1 | Return brake master cylinder piston..... | 1204. 1 |
| Transfer output shaft bearing cap..... | 0801 | Return, brake wheel cylinder piston..... | 1204. 2 |
| SHOES: | | Rifle holder..... | 1808 |
| Hand brake..... | 1201. 2 | Seat..... | 1806 |
| Service brake..... | 1202 | Shock absorber..... | 1604 |
| SILL, floor pan..... | | Starter bendix drive..... | 0603 |
| | 1805 | Starter brush..... | 0603 |
| SLEEVES: | | Steering gear jacket bearing..... | 1401. 1 |
| Second and high speed synchronizer..... | 0702. 2 | Tie rod end..... | 1401 |
| Shock absorber..... | 1604 | Torque reaction..... | 1602 |
| Speedometer driven gear..... | 0802. 5 | Transfer poppet ball..... | 0804 |
| Starter bendix drive..... | 0603 | Transfer shift lever..... | 0804 |
| | | Transmission gear shift lever..... | 0704 |
| | | Transmission shift lever plate..... | 0704 |

ALPHABETICAL INDEX—Continued

| Item | Group | Item | Group |
|------------------------------------------------|---------------------|-------------------------------------------|---------------------|
| SPRINGS—Continued | | TUBES—Continued | |
| Transmission shift shaft ball..... | 0704 | Propeller shaft..... | 0900 |
| Water pump..... | 0504 | Shock absorber..... | 1604 |
| SPRING SET, distributor governor weight.... | 0604. 1 | Tie rod..... | 1401 |
| SPROCKET, camshaft chain drive..... | 0105. 4 | Wheel..... | 1313 |
| STARTER..... | 0603 | Windshield wiper line..... | 2202. 2 |
| STEP, cowl..... | 1804 | | |
| STOP, heat control valve spring..... | 0108 | UNION, oil pressure gage line..... | 0106. 6 |
| STRAPS: | | VALVES: | |
| Bonding..... | 0615 | Check brake master cylinder..... | 1204. 1 |
| Gasoline can..... | 1808 | Crankcase ventilator..... | 0106. 5 |
| Ground battery..... | 0612 | Engine..... | 0105. 1 |
| Mounting, surge tank..... | 0501 | Heat control, engine..... | 0108 |
| Safety seats..... | 1806 | Shock absorber..... | 1604 |
| Top, hold down..... | 2201 | VENT, transfer case..... | 0806. 5 |
| Top lock..... | 2201 | VENTILATOR, crankcase..... | 0106. 5 |
| Top roll..... | 2201 | | |
| STRIKERS: | | WASHERS: | |
| Glove compartment..... | 1808 | Curtain fastener..... | 2201 |
| Tool compartment..... | 1808 | Distributor..... | 0604. 1 |
| STRIP, steering knuckle oil seal..... | 1004 | Generator..... | 0601. 1; 0601. 3 |
| STUD, camshaft thrust plunger..... | 0105. 3 | Generator regulator..... | 0602. 1; 0602. 3 |
| SUPPORTS: | | Heat control valve spring..... | 0108 |
| Battery..... | 0612 | Packing, propeller shaft..... | 0900 |
| Body..... | 1804 | Pulley shield..... | 0102 |
| Engine oil strainer float..... | 0106. 6 | Shock absorber..... | 1604 |
| Generator..... | 0601. 1; 0601. 3 | Starter..... | 0603 |
| Hand brake ratchet to bracket..... | 1201. 1 | Steering bellcrank shaft..... | 1401 |
| Headlight..... | 0609. 1 | Thrust, camshaft..... | 0105. 3 |
| Spare gas can..... | 1808 | Thrust, countershaft..... | 0702. 3 |
| Starter to engine block..... | 0603 | Thrust, crankshaft..... | 0102 |
| Steering gear jacket..... | 1401. 1 | Thrust, differential pinion..... | 1002; 1102 |
| SUPPRESSOR, spark plug..... | 0615 | Thrust, differential side gear..... | 1002; 1102 |
| SWITCHES: | | Thrust, front axle universal joint..... | 1006 |
| Ignition..... | 0605 | Thrust, transfer intermediate gear..... | 0802. 2 |
| Lights..... | 0608 | Thrust, transfer shaft..... | 0802. 3 |
| Starter..... | 0603 | Top bow pivot..... | 2201 |
| SYNCHRONIZER, second and high speed.... | 0702. 2 | Trailer coupling socket..... | 0617 |
| TANKS: | | Transmission gear shift lever spring..... | 0704 |
| Supply brake master cylinder..... | 1204. 1 | Water pump seal..... | 0504 |
| Surge, radiator..... | 0501 | Wheel bearing..... | 1311 |
| TAPPET, engine valve..... | 0105. 2 | Windshield..... | 1804 |
| TEES: | | WEATHER STRIP, windshield..... | 1804 |
| Brake line..... | 1204. 3 | WEBBING, windshield bumper..... | 1703 |
| Windshield wiper line..... | 2202. 2 | WEIGHT, distributor governor..... | 0604. 1 |
| TERMINALS: | | WHEEL, assembly..... | 1311 |
| Battery..... | 0612 | WHEEL, steering..... | 1401. 1 |
| Generator..... | 0601. 1; 0601. 3 | | |
| Spark plug cables..... | 0605 | WICKS: | |
| Starter..... | 0603 | Oil distributor..... | 0604. 1 |
| THERMOSTAT, engine water..... | 0503 | Oil generator..... | 0601. 1 |
| TIRE, pneumatic, wheel..... | 1313 | WINDSHIELD..... | 1804 |
| TRANSFER, assembly..... | 0800 | WIPER, windshield, hand..... | 2202. 1 |
| TRANSMISSION, assembly..... | 0700 | | |
| TRAY, battery..... | 1501 | YOKES: | |
| TRIM, seats..... | 1806 | Propeller shaft..... | 0900 |
| TUBES: | | Transfer, front..... | 0802. 3 |
| Frame cross member..... | 1501 | | |

ORDNANCE AND MANUFACTURERS' PART NUMBER INDEX

This index is arranged in strict numerical sequence, that is all letters or dashes prefixed, suffixed, or interspersed within the numbers are disregarded. For instance: TP-14SV89A7 is in sequence as 14897, but the complete number, including the manufacturer's symbol as the prefix, is shown in the listing. All Ordnance part numbers appear without any prefix. Ordnance Standard part numbers for items appearing in Ordnance Standard H- and K-group Supply Catalogs are not included in this index as they may appear in too many subgroups to be of any value in an index of this kind.

| NUMBER | GROUP | NUMBER | GROUP | NUMBER | GROUP |
|-----------|----------|-----------|----------|-----------|----------|
| CNC-0 | 2201 | AL-MZ30A | 0603 | AL-GBF55 | 0601. 3 |
| FM-GPW | 0609. 1 | AL-GEG31 | 0601. 1 | AL-GBG56 | 0601. 3 |
| SP-LW1 | 0804 | AL-GAU31 | 0601. 1 | AL-GBJ57 | 0601. 3 |
| AL-GG6 | 0601. 1 | AL-MU31 | 0603 | AL-GBG58 | {0601. 1 |
| AL-DH7 | 0601. 1 | AL-MAB31 | 0603 | | {0601. 3 |
| AL-IAD7 | 0604. 1 | AL-GBJ32A | 0601. 1 | SP-S58 | {1002 |
| AL-IAD8 | 0604. 1 | AL-GAA32 | 0601. 1 | | {1102 |
| AL-ILG8 | 0604. 1 | AL-MZ32 | 0603 | SP-58J | 1201. 2 |
| AL-IGL9 | 0604. 1 | AL-GEG33 | 0601. 1 | CNC-58 | 2201 |
| AL-IAD10 | 0604. 1 | AL-GBW34 | 0601. 1 | SP-S59 | {1002 |
| AL-MZ12 | 0603 | AL-GBY34 | 0601. 3 | | {1102 |
| AL-MZ12A | 0603 | AL-GAA35 | {0602. 1 | AL-DA60 | {0601. 1 |
| AL-IAD12 | 0604. 1 | | {0602. 3 | | {0601. 3 |
| CNC-12 | 2201 | AL-MU36 | 0601. 3 | HLH-T60B | 1503 |
| AL-MU14 | 0603 | AL-GDJ36 | 0601. 3 | CNC-60 | 2201 |
| SP-14W | 1201. 2 | AL-GDJ37 | 0601. 3 | HLH-T62XA | 1503 |
| AL-VRA15 | {0602. 1 | AL-MU37 | 0603 | AL-GDJ63A | 0601. 3 |
| | {0602. 3 | AL-GBY38A | 0601. 1 | HLH-T63 | 1503 |
| AL-VRA16 | {0602. 1 | AL-GDJ38 | 0601. 3 | AL-GBW66 | 0601. 1 |
| | {0602. 3 | AL-GBG38 | 0601. 3 | AL-GBG66 | 0601. 3 |
| AL-MZ16 | 0603 | AL-MZ38A | 0603 | AL-GDJ66 | 0601. 3 |
| AL-VRA17 | {0602. 1 | AL-DA39 | 0601. 1 | AL-SPK66 | 2208. 1 |
| | {0602. 3 | AL-MU39 | 0603 | AL-GBW67 | 0601. 1 |
| AL-MZ19 | 0603 | AL-GCE40 | 0601. 3 | AL-GDJ67 | 0601. 3 |
| AL-DA22 | 0601. 1 | AL-GAL44 | 0601. 1 | AL-VRA67 | 0602. 1 |
| AL-DK23 | 0601. 1 | AL-GEB44 | 0601. 1 | HLH-T67 | 1503 |
| AL-GDJ23 | 0601. 3 | AL-VRA46 | 0602. 1 | AL-GDJ68 | 0601. 3 |
| AL-VRA23 | 0602. 3 | AL-EBA46 | 0603 | AL-GBW69 | 0601. 1 |
| AL-GCE24 | 0601. 1 | AL-MAK49 | 0601. 1 | AL-IGT69 | 0604. 1 |
| AL-GBG24B | 0601. 3 | AL-GBG49 | 0601. 3 | AL-GBW72 | 0601. 1 |
| AL-GDJ24 | 0601. 3 | AL-GBG50 | 0601. 3 | AL-GBW73 | 0601. 1 |
| AL-MZ24A | 0603 | AL-VRA50 | 0602. 1 | AL-GAR73 | 0601. 1 |
| AL-GBJ25 | 0601. 1 | AL-VRH50 | 0602. 1 | AL-DGJ73 | 0601. 3 |
| AL-GCT25 | 0601. 1 | CNC-50 | 2201 | AL-MZ74 | 0603 |
| AL-GCY25 | 0601. 1 | AL-VRA51 | 0602. 1 | SP-S74 | {1002 |
| AL-GC26 | 0601. 1 | AL-TC51U | 0602. 1 | | {1102 |
| AL-GBG26 | 0601. 3 | AL-TC51N | 0602. 1 | SP-S75 | {1002 |
| AL-VRH26 | 0602. 1 | AL-TC51A | 0602. 3 | | {1102 |
| AL-GBG-27 | 0601. 1 | AL-TC51J | 0602. 3 | AL-GT76 | 0601. 1 |
| AL-GEB27 | 0601. 1 | AL-TC51L | 0602. 3 | AL-VRA76 | {0602. 1 |
| AL-GDJ27 | 0601. 3 | AL-TC51N | 0602. 3 | | {0602. 3 |
| AL-GCY27 | 0601. 3 | AL-MZ51 | 0603 | AL-MG77A | 0603 |
| AL-GCY28 | 0601. 3 | AL-VRA52 | 0602. 1 | AL-GT78 | 0601. 1 |
| AL-MU28 | 0603 | AL-MZ52 | 0603 | AL-EBA78 | 0603 |
| AL-IGH28 | 0604. 1 | AL-GCE53 | 0601. 1 | HLH-78 | 1503 |
| AL-GEB29 | 0601. 1 | AL-CCE53 | 0601. 3 | AL-GBF79 | 0601. 1 |
| AL-MZ29 | 0603 | AL-GCE54 | 0601. 1 | AL-GBG81 | 0601. 3 |
| AL-GBG30 | 0601. 3 | AL-MU54 | 0603 | WG-C8-2½ | 0704 |

ORDNANCE AND MANUFACTURERS' PART NUMBER INDEX—Continued

| NUMBER | GROUP | NUMBER | GROUP | NUMBER | GROUP |
|------------|----------|------------|----------|-----------|----------|
| AL-VRA84 | {0602. 1 | SP-373J | 1201. 1 | WO-A542 | 0100 |
| AL-MAB88 | 0603 | SP-3Q74 | 1201. 1 | WO-A544 | 1501 |
| AL-IG90 | 0604. 1 | SP-3Q76 | {1201. 1 | WO-A547 | 1501 |
| AL-IG94 | 0605 | | 1201. 2 | WO-A548 | 1501 |
| AL-GAR98A | 0601. 1 | AN-S384 | 1804 | WO-A549 | 1501 |
| CNC-98 | 2201 | AL-X394 | 0601. 3 | WO-A556 | 1204. 1 |
| AL-IGS99 | 0604. 1 | DM-D398 | 0608 | WO-A557 | 1204. 1 |
| AL-GEB100B | 0601. 1 | WO-A405 | 0202 | WO-A562 | 1204. 3 |
| AL-IGS104 | 0604. 1 | WO-A410 | 0702. 2 | WO-A568 | 1601. 1 |
| AL-EB108 | 0603 | WO-A415 | 1501 | WO-A571 | 1601. 1 |
| AL-VRA109 | 0602. 1 | WO-A416 | 1501 | WO-A572 | 1601. 1 |
| SP-S112 | {1002 | WO-A418 | 1501 | WO-A574 | 1601. 1 |
| | 1102 | WO-A419 | 1501 | WO-A575 | 1601. 1 |
| SP-S113 | {1002 | WO-A420 | 1501 | AL-IG579A | 0604. 1 |
| | 1102 | WO-A421 | 1501 | SW-590AB | 2208. 1 |
| SP-S114 | {1002 | SP-4B26 | 1201. 1 | WO-A592 | 0503 |
| | 1102 | SP-433D | 0804 | WO-A593 | 1503 |
| AL-IGC117 | 0604. 1 | WO-A439 | 0103 | AN-X598 | 1804 |
| SP-122D | 0801 | AL-SP443 | 0601. 3 | LO-FC602 | 1204. 1 |
| AL-GCE125 | 0601. 1 | WO-A445 | 1100 | LO-FC603E | 1204. 1 |
| AL-GCE125A | 0601. 1 | WO-A447 | 0505 | WO-A612 | 1601 |
| SP-124J | 0802. 3 | WO-A450 | 1202 | WO-A613 | 1601 |
| SP-12B5 | 1201. 1 | WO-A463 | 0304 | WO-A614 | 1601 |
| AL-GAG138 | 0602. 1 | WO-A472 | 1312 | WO-A619 | 1401 |
| AL-MBD145 | 0601. 3 | WO-A473 | 1311 | WO-A621 | 1401 |
| WO-A146 | 0100 | WO-A474 | 1311 | WO-A622 | 1401 |
| SP-14B6 | 1201. 1 | WO-A475 | 1311 | WO-A623 | 1401 |
| WO-A147 | 0800 | WO-A476 | {1311 | WO-A630 | 1204. 3 |
| SP-153SP | 1201. 1 | | 1504 | WO-A631 | 1204. 3 |
| GAR-1A55 | 0301 | SP-477W | 0801 | WO-A633 | 1401. 1 |
| AL-GK162 | 0601. 1 | WO-A481 | 1604 | WO-A634 | 0611 |
| TP-16MNS | 1401 | AL-SP484AS | 0601. 1 | SP-634D | 0801 |
| WO-A169 | 1604 | AL-SP484 | 0601. 1 | WO-A636 | 1401. 1 |
| WO-A170 | 1604 | WO-A484 | 1501 | WO-A637 | 1501 |
| SP-S171 | {1002 | AL-SP484A | 0601. 1 | SP-S638 | {1002 |
| | 1102 | WO-A485 | 1501 | | 1102 |
| WO-A176 | 0202 | WO-A490 | 0900 | WO-A641 | 1204. 1 |
| WO-A177 | 0202 | WO-A493 | 1204. 1 | WO-A642 | 0304 |
| WO-A178 | 0202 | WO-A495 | 1204. 1 | WO-A647 | 1204. 1 |
| WO-A180 | 0202 | WO-A498 | 0202 | WO-A655 | 0401 |
| WO-A181 | 0202 | WO-A499 | 0202 | WO-A657 | {0401 |
| WO-A183 | 1204. 1 | WO-A500 | 1501 | | 0401. 1 |
| WO-A185 | 1501 | WO-A508 | 1501 | WO-A658 | {0401 |
| BA-B194 | 1804 | WO-A513 | 1601. 1 | | 0401. 1 |
| AL-IGB199 | 0604. 1 | AL-IG514 | 0604. 1 | WO-A668 | 1501 |
| AL-IGB202S | 0604. 1 | WO-A514 | 1601. 1 | AL-IG676 | 0604. 1 |
| TSE-215B | 0106. 6 | AL-IG515 | 0604. 1 | AL-IG680 | 0604. 1 |
| SP-223V | 1201. 2 | SP-5B15 | 1201. 1 | WO-A683 | 1204. 3 |
| WO-A224 | 0304 | WO-A515 | 1601. 1 | SP-690W | 0802. 2 |
| WO-A227 | 1604 | CNC-515 | 2201 | CAR-698S | 0301 |
| SP-232SP | 1201. 1 | SP-5B16 | 1201. 1 | AL-IG694 | 0604. 1 |
| SP-238R | 1201. 1 | WO-A518 | 0702. 2 | SP-710W | 0802. 3 |
| WO-A281 | 0304 | WO-A519 | 0702. 2 | SP-715W | {0802. 3 |
| WG-AS2T84J | 0700 | CNC-519 | 1804 | | 0900 |
| CAR-2-89 | 0301 | WO-A520 | 0802. 1 | WO-A719 | 0609. 1 |
| WO-A302 | 0611 | WO-A524 | 0702. 3 | WO-A738 | 0702. 2 |
| AL-IGB350S | 0604. 1 | TA-OP528 | 1808 | WO-A739 | 0702. 3 |
| SP-363SP | 0804 | AL-X532 | 0603 | WO-A740 | 1401. 1 |
| RMC-A365 | 0105. 1 | WO-A534 | 1501 | WO-A742 | 1401. 1 |
| RMC-A366 | 0105. 1 | WO-A535 | 1401. 1 | WO-A745 | 1401. 1 |
| | | CAR-539S | 0301 | WO-A747 | 0611 |

ORDNANCE AND MANUFACTURERS' PART NUMBER INDEX—Continued

| NUMBER | GROUP | NUMBER | GROUP | NUMBER | GROUP |
|---------|---------|------------|---------|-------------|---------|
| WO-A750 | 0611 | AL-IG816C | 0604. 1 | WO-A936 | 0900 |
| WO-A751 | 0611 | WO-A818 | 1004 | WO-A940 | 0900 |
| WO-A752 | 0611 | WO-A819 | 1004 | WO-A941 | 0900 |
| WO-A754 | 1202 | WO-A820 | 1004 | WO-A942 | 0900 |
| WO-A760 | 1006 | WO-A821 | 1004 | WO-A943 | 0900 |
| | 1102 | CA-D822 | 1401 | WO-A945 | 0900 |
| WO-A764 | 1002 | WO-A824 | 1004 | WO-A950 | 0900 |
| | 1102 | WO-A825 | 1004 | WGT-T9-50P | 0802. 1 |
| HP-779 | 1604 | WO-A828 | 1004 | WO-A953 | 0801 |
| WO-A780 | 1006 | WO-A830 | 1004 | SP-S953 | 1006 |
| WO-A781 | 1001 | WO-A831 | 1004 | WO-A954 | 0801 |
| | 1100 | MAE-83C1 | 1604 | WO-A956 | 0801 |
| WO-A782 | 1001 | WO-A832 | 1004 | WO-A957 | 0801 |
| | 1100 | WO-A833 | 1004 | SP-S957 | 1004 |
| WO-A784 | 1002 | WO-A838 | 1401 | AL-X959 | 0601. 1 |
| | 1102 | WG-T84J1A | 0701 | WO-A959 | 0804 |
| WO-A785 | 1002 | WG-T84J2½ | 0702. 2 | WO-A960 | 0804 |
| | 1102 | WG-T84H2 | 0702. 2 | WO-A962 | 0804 |
| WO-A786 | 1002 | WG-AT84H2 | 0702. 2 | SP-S962 | 1004 |
| | 1102 | WG-AC84J2A | 0704 | WO-A963 | 0804 |
| WO-A787 | 1002 | WG-T84G3 | 0702. 3 | WO-A964 | 0804 |
| WO-A788 | 1002 | WO-A844 | 1401 | WO-A965 | 0804 |
| | 1102 | WG-T84J6 | 0702. 1 | WO-A966 | 0804 |
| WO-A789 | 1002 | AL-X847 | 0601. 1 | WO-A967 | 0804 |
| | 1102 | WO-A847 | 1401 | WO-A970 | 0804 |
| WO-A792 | 1002 | WG-T848J8 | 0702. 3 | WO-A971 | 0804 |
| | 1102 | WG-AT84J8 | 0702. 3 | | 0704 |
| WO-A793 | 1002 | WO-A851 | 1004 | WO-A972 | 0804 |
| | 1102 | WO-A853 | 1004 | WO-A973 | 0804 |
| WO-A794 | 1002 | SP-854D | 0804 | WO-A975 | 0802. 3 |
| | 1102 | WO-A855 | 1401 | WO-A976 | 0802. 3 |
| WO-A795 | 1002 | SP-856D | 1201. 1 | WO-A978 | 0802. 3 |
| | 1102 | WO-A856 | 1401 | WO-A979 | 0802. 3 |
| WO-A796 | 1002 | WO-A858 | 1401 | | 0900 |
| | 1102 | WO-A859 | 1401 | WO-A980 | 0802. 3 |
| 1002 | WO-A860 | 1401 | 0900 | | |
| WO-A797 | 1102 | WO-A861 | 1401 | WO-A982 | 0801 |
| | 1002 | WO-A862 | 1006 | WO-A983 | 0801 |
| WO-A798 | 1102 | WO-A863 | 1006 | WO-A984 | 0801 |
| | 1002 | WO-A865 | 1311 | WO-A985 | 0802. 5 |
| WO-A799 | 1102 | WO-A866 | 1311 | WO-A987 | 0802. 3 |
| | 1002 | WO-A867 | 1311 | WO-A988 | 0802. 3 |
| WO-A800 | 1102 | WO-A868 | 1006 | WO-A989 | 0802. 3 |
| | 1002 | WO-A869 | 1312 | WO-A990 | 0802. 3 |
| WO-A801 | 1102 | WO-A870 | 1001 | WO-A991 | 0802. 3 |
| | 1002 | | 1100 | WO-A992 | 0802. 3 |
| WO-A802 | 1102 | AL-8X72B | 2208. 1 | WO-A996 | 0802. 3 |
| | 1002 | WO-A876 | 1401 | WO-A997 | 1201. 1 |
| WO-A803 | 1102 | WO-A878 | 0702. 3 | WO-A998 | 0802. 2 |
| | 1002 | WO-A879 | 0702. 3 | WO-A999 | 0802. 2 |
| WO-A804 | 1102 | WO-A880 | 0702. 3 | WO-A1000 | 0802. 2 |
| | 1002 | WO-A887 | 0202 | WO-A1001 | 0802. 2 |
| WO-A805 | 1102 | SP-887D | 1201. 1 | AL-VRA1002 | 0602. 1 |
| | 1002 | WO-A888 | 1100 | WO-A1002 | 1201. 1 |
| WO-A806 | 1102 | WO-A901 | 1102 | WO-A1003 | 1201. 1 |
| | 1006 | WO-A902 | 1102 | AL-IAD1004 | 0604. 1 |
| WO-A810 | 1006 | WO-A903 | 1202 | WO-A1004 | 1201. 1 |
| WO-A811 | 1004 | WO-A904 | 1102 | AL-GEB1005A | 0601. 1 |
| WO-A812 | 1004 | WO-A912 | 0108 | AL-GDJ1005 | 0601. 3 |
| WO-A813 | 1004 | WO-A934 | 0860. 5 | WO-A1005 | 1201. 1 |
| WO-A814 | 1004 | WO-A935 | 0900 | WO-A1006 | 1201. 1 |

ORDNANCE AND MANUFACTURERS' PART NUMBER INDEX—Continued

| NUMBER | GROUP | NUMBER | GROUP | NUMBER | GROUP |
|-------------|---------|--------------|---------|------------|---------|
| AL-GEB1007A | 0601. 1 | AL-VRH1073 | 0602. 1 | WO-A1148 | 0701 |
| AL-GDJ1007 | 0601. 3 | WO-A1073 | 0602. 3 | AL-IGC1149 | 0604. 1 |
| AL-MZ1007 | 0603 | AL-PS1079A | 0609. 1 | WO-A1150 | 1501 |
| AL-GDJ1008 | 0601. 3 | AL-VRY1080B | 0603 | WO-A1151 | 1501 |
| AL-MZ1008A | 0603 | AL-VRH1080 | 0602. 1 | WO-A1152 | 1501 |
| AL-MZ1008 | 0603 | AL-IGS1080 | 0602. 3 | WO-A1153 | 1501 |
| WEP-1008 | 0608 | WO-A1082 | 0604. 1 | WO-A1155 | 0704 |
| WO-A1008 | 1201. 1 | WO-A1083 | 0609. 1 | WO-A1156 | 0704 |
| AL-GDJ1009 | 0601. 3 | FM-GP1088 | 0312 | WO-A1157 | 2101 |
| AL-MZ1009B | 0603 | WO-A1089 | 1004 | WO-A1164 | 0612 |
| AL-MZ1009 | 0603 | FM-GP1089 | 0608 | WO-A1165 | 0108 |
| WO-A1009 | 1201. 1 | FM-GP1092 | 1004 | WO-A1166 | 0108 |
| AL-GDJ1010 | 0601. 3 | WO-A1096 | 1004 | WO-A1167 | 0106. 6 |
| AL-MZ1010 | 0603 | WO-A1098 | 0605 | WO-A1172 | 0312 |
| AL-GCE1012 | 0601. 1 | AL-SPS1100R | 0615 | WO-A1173 | 0312 |
| FM-GP1012 | 1311 | FM-GP1102 | 2208. 1 | WO-A1174 | 0312 |
| FM-GP1013 | 1311 | FM-GP1103 | 1312 | WO-A1175 | 0312 |
| WO-A1014 | 1201. 1 | WO-A1105 | 1312 | CAR-11B79 | 0301 |
| WO-A1015 | 1201. 1 | AL-SPS1105X | 0802. 3 | WO-A1190 | 0105. 4 |
| FM-GPW1015 | 1311 | WO-A1106 | 2208. 1 | WO-A1192 | 0503 |
| WO-A1016 | 1201. 1 | SP-S1106 | 0900 | WO-A1195 | 0800 |
| FM-GPW1016 | 1311 | FM-GP1107 | 1401 | WO-A1197 | 0106. 6 |
| AL-1017A | 0607 | FM-GP1108 | 1311 | WO-A1198 | 0106. 6 |
| WO-A1017 | 1201. 1 | CA-S-X1109 | 1311 | WO-A1199 | 1401. 1 |
| SP-10B18 | 1201. 1 | BN-C1110Q | 1401 | WO-A1201 | 1501 |
| WO-A1018 | 1201. 1 | FM-GP1110 | 0702. 2 | WO-A1202 | 1501 |
| WO-A1019 | 1201. 1 | FM-GPW1110 | 1006 | WO-A1203 | 1501 |
| FM-GPW1020A | 0601. 1 | CA-S-X1110 | 1102 | WO-A1204 | 1501 |
| WO-A1020 | 1201. 1 | WO-A1111 | 1401 | WO-A1205 | 1501 |
| WO-A1021 | 1201. 1 | WO-A1116 | 0802. 3 | WO-A1211 | 1401 |
| AL-MZ1024 | 0603 | WO-A1117 | 1401. 1 | WO-A1212 | 1000 |
| FM-GPW1024 | 1311 | WO-A1120 | 2101 | WO-A1214 | 0501 |
| FM-GPW1026A | 0601. 1 | WO-A1124 | 1501 | WO-A1215 | 0501 |
| FM-GPW1027 | 1311 | FM-GP1124 | 0102 | WO-A1216 | 0501 |
| WO-A1028 | 0802. 3 | WO-A1125 | 1311 | WO-A1217 | 0501 |
| FM-GPW1029 | 1311 | AL-GCE1125 | 0102 | FM-GP1218 | 1311 |
| AL-GE1030 | 0601. 1 | AL-GCE1125A | 0601. 1 | WO-A1220 | 0302 |
| FM-GPW1030 | 1311 | WO-A1127 | 0601. 1 | WO-A1221 | 0306 |
| WO-A1031 | 0609. 1 | WO-A1128 | 1501 | WO-A1223 | 0301 |
| AL-MZ1034A | 0603 | WO-A1129 | 1501 | WO-A1224 | 0304 |
| AL-MZ1034 | 0603 | WO-A1130 | 1501 | WO-A1225 | 0312 |
| WO-A1036 | 0609. 1 | AL-IGC1132LB | 1501 | WO-A1226 | 1201. 1 |
| AL-VRY1043 | 0602. 1 | AL-IGC1133A | 0604. 1 | WO-A1227 | 1201. 1 |
| AN-S1044 | 1804 | AL-GCE1133A | 0601. 1 | WO-A1228 | 1201. 1 |
| WO-A1045 | 0302 | AL-IGS1134LA | 0601. 1 | WO-A1230 | 0106. 2 |
| FM-GPW1045 | 2210 | AL-IGS1134L | 0604. 1 | WO-A1231 | 0106. 2 |
| WO-A1046 | 0302 | WO-A1134 | 0604. 1 | WO-A1232 | 0106. 2 |
| WO-A1047 | 0302 | CAR-11B35 | 0802. 3 | WO-A1233 | 0106. 2 |
| WO-A1051 | 0100 | WO-A1135 | 0301 | WO-A1234 | 0106. 2 |
| AL-GBG1056 | 0601. 3 | SP-S1135 | 0801 | WO-A1235 | 0106. 2 |
| SP-S1056 | 0802. 3 | SP-S1135 | 0900 | WO-A1236 | 0106. 2 |
| AL-VRA1060 | 0602. 1 | WO-1136 | 1006 | WO-A1237 | 0106. 2 |
| WO-A1061 | 0106. 5 | WO-A1136 | 0801 | WO-A1239 | 1401. 1 |
| AL-VRH1061 | 0602. 3 | WO-A1137 | 0801 | WO-A1241 | 1201. 1 |
| AL-VRY1061B | 0602. 1 | WO-A1138 | 0801 | WO-A1242 | 1201. 1 |
| WO-A1071 | 0609. 1 | FM-GP1139 | 1501 | WO-A1243 | 0312 |
| AL-GDJ1073 | 0601. 3 | WO-A1142 | 1312 | WO-A1244 | 0604. 1 |
| | | WO-A1145 | 1501 | WO-A1245 | 0603 |
| | | WO-A1146 | 0700 | WO-A1246 | 0601. 1 |
| | | WO-A1147 | 0401 | WO-A1247 | 0106. 2 |
| | | AL-IGC1148 | 2101 | WO-A1251 | 0106. 2 |
| | | | 0604. 1 | | |

ORDNANCE AND MANUFACTURERS' PART NUMBER INDEX—Continued

| NUMBER | GROUP | NUMBER | GROUP | NUMBER | GROUP |
|------------|---------|-------------|---------|-----------|----------|
| WO-A1252 | 1601. 1 | WO-A1351 | 0608 | LO-FE1444 | 1204. 1 |
| WO-A1253 | {0401 | WO-A1352 | 0608 | WO-A1445 | 0900 |
| | 1501 | WO-A1353 | 0608 | WO-A1450 | 0106. 6 |
| WO-A1254 | 0306 | WO-A1354 | 1204. 1 | WO-A1451 | 0304 |
| WO-A1255 | 0309 | WO-A1355 | 0202 | WO-A1452 | 0613. 1 |
| WO-A1256 | 0309 | WO-A1359 | 1204. 1 | WO-1454 | 0603 |
| WO-A1257 | 0309 | WO-A1360 | 0202 | WO-A1454 | 0613. 1 |
| WO-A1258 | 0309 | WO-A1361 | 0609. 1 | WO-A1456 | 0106. 6 |
| WO-A1259 | 0309 | WO-A1362 | 0609. 1 | WO-A1457 | 1204. 3 |
| WO-A1260 | 0309 | WO-A1363 | 0609. 1 | WO-A1460 | 1204. 3 |
| WO-1261 | 0309 | WO-A1366 | 0306 | WO-A1463 | 0105. 4 |
| WO-A1262 | 0309 | WO-A1367 | 0306 | AL-X1465 | {0602. 1 |
| WO-A1263 | 0309 | WO-A1368 | 0306 | | 0602. 3 |
| WIL-ST1265 | 0105. 2 | WO-A1369 | 0306 | WO-A1468 | 0601. 1 |
| WO-A1267 | 2208. 1 | WO-A1373 | 1204. 3 | WO-A1469 | 0601. 1 |
| WO-A1268 | 0607 | WO-A1376 | 1204. 3 | WO-A1470 | 0601. 1 |
| WO-A1269 | 0607 | WO-A1377 | 1204. 3 | WO-A1472 | 0306 |
| WO-A1270 | 0607 | WO-A1378 | 1204. 3 | WO-A1476 | 0306 |
| WO-A1271 | 0608 | WO-A1379 | 0704 | WO-A1477 | 0306 |
| WO-A1272 | 0101 | WO-A1380 | 0704 | WO-A1480 | 0306 |
| WO-A1273 | 0312 | WO-A1381 | 0704 | WO-A1481 | 0306 |
| WO-A1275 | 0306 | WO-A1382 | 0704 | WO-A1484 | 1204. 2 |
| WO-A1276 | 1401. 1 | WO-A1385 | 0804 | WO-A1486 | 1204. 3 |
| WO-A1277 | 1401. 1 | WO-A1386 | 1204. 1 | WO-A1487 | 1204. 3 |
| WO-A1278 | 0304 | WO-A1387 | 1000 | WO-A1488 | 1204. 3 |
| WO-A1279 | 0304 | WO-A1388 | 0100 | WO-A1490 | 0608 |
| WO-A1283 | 1501 | WO-A1389 | 0611 | WO-A1491 | 0601. 1 |
| WO-A1285 | 0615 | WO-A1392 | 0601. 1 | WO-A1494 | 0302 |
| WO-A1287 | 0615 | WO-A1395 | 0601. 1 | WO-A1496 | 1202 |
| WO-A1289 | {0306 | FM-GPW1395 | 0603 | WO-A1497 | 1202 |
| | 0613. 1 | WO-A1396 | 0601. 1 | LO-FC1499 | 1204. 2 |
| WO-A1290 | 0304 | WO-A1397 | 0601. 1 | WO-A1501 | 1204. 3 |
| WO-A1291 | 0612 | WO-A1399 | 0601. 1 | WO-A1502 | 1204. 2 |
| WO-A1292 | 0306 | WO-A1400 | 0601. 1 | WO-A1503 | 0801 |
| WO-A1293 | 0306 | WO-A1401 | 0601. 1 | WO-A1504 | 0804 |
| WO-A1296 | 0401 | CAR-1-407 | 0301 | WO-A1505 | 0804 |
| BX-12986 | 1202 | WO-A1409 | 0602. 1 | WO-A1506 | 0804 |
| WO-A1300 | 0401 | WO-A1410 | 0802. 1 | WO-A1507 | 0801 |
| WO-A1301 | 0312 | WO-A1411 | 0607 | WO-A1508 | 0801 |
| WO-A1304 | 0609. 1 | WO-A1412 | 0605 | WO-A1509 | 0801 |
| WO-A1305 | 0609. 1 | WO-A1414 | 0605 | WO-A1510 | 0802. 1 |
| WO-A1307 | 0312 | WO-A1416 | 0605 | WO-A1511 | 0802. 5 |
| WO-A1308 | 0312 | WO-A1418 | 0605 | LO-FC1511 | 1204. 3 |
| WO-A1311 | 0304 | WO-A1420 | 0605 | WO-A1512 | 0802. 5 |
| WO-A1312 | 0611 | TR-14DS20 | 1401 | WO-A1514 | 1501 |
| WO-A1320 | 0612 | WO-A1422 | 1401. 1 | WO-A1515 | {0304 |
| AL-IG1324 | 0604. 1 | WO-A1424 | 0605 | | 1204. 3 |
| AL-IG1324D | 0604. 1 | WO-A1426 | 0900 | WO-A1526 | 0605 |
| WO-A1325 | 0306 | WO-A1428 | 0900 | WO-A1534 | 0101 |
| WO-A1326 | 0900 | WO-A1429 | 0900 | WO-A1548 | 0101 |
| WO-A1327 | 0900 | WO-A1431 | 1501 | WO-A1549 | 0101 |
| WO-A1330 | 2210 | FM-GPW1433B | 1504 | WO-A1551 | 0613. 1 |
| WO-A1331 | 2210 | WO-A1434 | 0900 | WO-A1553 | 0603 |
| WO-A1341 | 1501 | WO-A1435 | 0801 | WO-A1554 | 0603 |
| WO-A1343 | 2208. 1 | FM-A1435 | 0801 | WO-A1555 | 0603 |
| WO-A1344 | 2208. 1 | WO-A1436 | 0609. 1 | WO-A1556 | 0603 |
| WO-A1347 | 0608 | WO-A1437 | 0609. 1 | WO-A1557 | 0603 |
| WO-A1348 | 0608 | WO-A1439 | 0609. 1 | WO-A1558 | 0603 |
| WO-A1349 | 0608 | WO-A1440 | 0609. 1 | WO-A1559 | 0603 |
| WO-A1350 | {0605 | WO-A1443 | 0103 | WO-A1560 | 0603 |
| | 0608 | TP-14DM43 | 1401 | WO-A1561 | 0603 |

ORDNANCE AND MANUFACTURERS' PART NUMBER INDEX—Continued

| NUMBER | GROUP | NUMBER | GROUP | NUMBER | GROUP |
|----------|---------|-------------|---------|-------------|---------|
| WO-A1562 | 0603 | WO-A1656 | 0604. 1 | AN-X1755 | 1804 |
| WO-A1563 | 0603 | WO-A1657 | 0604. 1 | WO-A1757 | 0612 |
| WO-A1564 | 0604. 1 | AL-IG1657R | 0604. 1 | WO-A1760 | 1401. 1 |
| WO-A1565 | 0603 | WO-A1658 | 0604. 1 | WO-A1763 | 0306 |
| WO-A1566 | 0603 | WO-A1659 | 0604. 1 | WO-A1764 | 0802. 3 |
| WO-A1568 | 0603 | WO-A1660 | 0604. 1 | WO-A1765 | 1000 |
| WO-A1569 | 0603 | WO-A1661 | 0604. 1 | WO-A1785 | 0601. 1 |
| WO-A1570 | 0604. 1 | WO-A1662 | 0604. 1 | WO-1786 | 0601. 1 |
| WO-A1573 | 0603 | WO-A1663 | 0604. 1 | WO-A1787 | 0601. 1 |
| WO-A1574 | 0603 | WO-A1664 | 0604. 1 | WO-A1788 | 0601. 1 |
| WO-A1565 | 0603 | WO-A1665 | 0613. 1 | WO-A1789 | 0601. 1 |
| WO-A1576 | 0603 | WO-A1671 | 0604. 1 | WO-A1793 | 0601. 1 |
| WO-A1577 | 0603 | WO-A1672 | 0604. 1 | WO-A1795 | 1201. 1 |
| WO-A1578 | 0603 | WO-A1673 | 0604. 1 | WG-1AT84H2 | 0702. 2 |
| WO-A1579 | 0603 | WO-A1674 | 0604. 1 | WG-1AT84J2½ | 0702. 2 |
| WO-A1580 | 0603 | WO-A1675 | 0604. 1 | SP-18-5-1 | 0802. 2 |
| WO-A1581 | 0603 | WO-A1676 | 0604. 1 | SP-18-8-1 | 0802. 3 |
| WO-A1582 | 0603 | WO-A1677 | 0604. 1 | SP-18-8-2 | 0802. 3 |
| WO-A1583 | 0603 | WO-A1678 | 0604. 1 | SP-18-8-7 | 0802. 1 |
| WO-A1584 | 0603 | WO-A1679 | 0604. 1 | WO-A1910 | 0312 |
| WO-A1585 | 0603 | WO-A1681 | 0604. 1 | AL-MZ2001C | 0603 |
| WO-A1586 | 0603 | WO-A1682 | 0604. 1 | AL-IAD2001 | 0604. 1 |
| WO-A1590 | 0601. 1 | WO-A1684 | 0604. 1 | AL-IAD2004 | 0604. 1 |
| WO-A1591 | 0601. 1 | WO-A1687 | 0604. 1 | MSP-F2005 | 1501 |
| WO-1592 | 0601. 1 | WO-A1689 | 1312 | MSP-F2007 | 1501 |
| WO-A1593 | 0601. 1 | WO-A1690 | 1312 | MSP-F2009 | 1501 |
| WO-A1594 | 0601. 1 | WO-A1691 | 1312 | FM-GPW2010 | 1202 |
| WO-A1595 | 0601. 1 | WO-A1699 | 0615 | FM-GPW2011 | 1202 |
| WO-A1596 | 0601. 1 | WO-A1703 | 1001 | AL-GDJ2012S | 0601. 3 |
| WO-A1597 | 0601. 1 | WO-A1704 | 1401 | FM-GP2013 | 1202 |
| WO-A1598 | 0601. 1 | WO-1705 | 1401 | AL-IAD2015 | 0604. 1 |
| WO-A1599 | 0601. 1 | WO-A1706 | 1401 | FM-GP2018 | 1202 |
| WO-A1600 | 0601. 1 | WO-A1708 | 1401 | FM-GP2019 | 1202 |
| WO-A1601 | 0601. 1 | WO-A1709 | 1401 | FM-GP2021 | 1202 |
| WO-A1602 | 0601. 1 | WO-A1710 | 1004 | CAR-20-22 | 0301 |
| WO-A1603 | 0601. 1 | WO-A1712 | 1004 | FM-GP2022 | 1202 |
| WO-A1604 | 0601. 1 | WO-A1714 | 1004 | CAR-20-26 | 0301 |
| WO-A1605 | 0601. 1 | WO-A1715 | 1006 | FM-GP2028 | 1202 |
| WO-A1606 | 0601. 1 | WO-A1716 | 1006 | FM-GP2035 | 1202 |
| WO-A1607 | 0601. 1 | WO-A1718 | 1006 | FM-GP2038 | 1202 |
| WO-A1608 | 0601. 1 | WO-A1719 | 1006 | AL-MAB2040A | 0603 |
| WO-A1612 | 0601. 1 | WO-A1720 | 1006 | CAR-20-45 | 0301 |
| WO-A1621 | 0601. 1 | WO-A1721 | 1006 | CAR-20-61 | 0301 |
| WO-A1623 | 0601. 1 | WO-A1722 | 1006 | FM-GPW2061 | 1204. 2 |
| WO-A1624 | 0601. 1 | WO-A1723 | 1006 | SP-20B62 | 1201. 1 |
| WO-A1625 | 0601. 1 | WO-A1724 | 1006 | AL-GDJ2065F | 0601. 3 |
| WO-A1627 | 0601. 1 | WO-A1726 | 1006 | CAR-20-72 | 0301 |
| WO-A1628 | 0601. 1 | WO-A1727 | 1006 | SP-20B73 | 1201. 2 |
| WO-A1629 | 0601. 1 | WO-A1728 | 1006 | FM-GPW2073 | 1501 |
| WO-A1630 | 0601. 1 | WO-A1729 | 1006 | AL-GDJ2074 | 0601. 3 |
| WO-A1631 | 0604. 1 | WO-A1731 | 0609. 1 | FM-GP2074 | 1204. 3 |
| WO-A1637 | 0601. 1 | WO-A1734 | 0608 | FM-GP2076 | 1204. 1 |
| WO-A1639 | 0601. 1 | WO-A1735 | 1201. 1 | FM-GP2077 | 1204. 1 |
| WO-A1643 | 0601. 1 | | 1201. 2 | FM-GPW2078 | 1204. 3 |
| WO-A1644 | 0601. 1 | WO-A1738 | 0306 | FM-GP2078 | 1204. 3 |
| WO-A1646 | 0601. 1 | WO-A1739 | 0306 | FM-GPW2079 | 1204. 3 |
| WO-A1649 | 0601. 1 | WO-A1740 | 0306 | FM-GPW2081 | 1204. 3 |
| WO-A1652 | 0605 | WO-A1741 | 0306 | FM-GPW2082 | 1204. 3 |
| WO-A1653 | 0604. 1 | AL-X1750 | 1804 | FM-GPW2084 | 1204. 3 |
| WO-A1654 | 0604. 1 | FM-GPW1T750 | 2101 | FM-GP2087 | 1204. 3 |
| WO-A1655 | 0604. 1 | AN-X1754 | 1804 | AL-MZ2089 | 0603 |

ORDNANCE AND MANUFACTURERS' PART NUMBER INDEX—Continued

| NUMBER | GROUP | NUMBER | GROUP | NUMBER | GROUP |
|--------------|---------|-------------|----------|-------------|----------|
| FM-GPW2096 | 1204. 3 | WO-A2220 | 1804 | FM-GPW2473 | 1204. 1 |
| LO-S-FD2108F | 1204. 1 | FM-GPW2223 | 1204. 3 | WO-A2476 | 1804 |
| AL-GDJ2109 | 0601. 3 | WO-A2226 | 1804 | FM-GPW2476A | 1204. 1 |
| LO-S-FD2109B | 1204. 1 | WO-A2227 | 1804 | WO-A2478 | 1804 |
| AL-GCE2118 | 0601. 1 | WO-2232 | 1804 | WO-A2479 | 1804 |
| AL-GCE2118A | 0601. 1 | ECM-A2233 | 0603 | WO-A2480 | 1804 |
| AL-GCE2118 | 0601. 1 | WO-A2234 | 1804 | WO-A2482 | 1804 |
| AL-GEG2120F | 0601. 1 | WO-A2235 | 1804 | WO-A2483 | 1804 |
| SP-K2-1-28 | 0802. 3 | WO-A2238 | 1804 | WO-A2485 | 1804 |
| SP-K2-1-28X | 0802. 3 | WO-A2239 | 1804 | WO-A2487 | 1804 |
| FM-GPW2133 | 1204. 3 | FM-GPW2244 | 1204. 3 | SP-K2-4-88X | 0900 |
| AL-GEG2134F | 0601. 1 | WO-A2246 | 1804 | WO-A2501 | 1804 |
| AL-IGS2134L | 0604. 1 | FM-GPW2250 | {0304 | WO-2503 | 1808 |
| AL-IGS2134LA | 0604. 1 | | {1204. 3 | WO-A2512 | 2202. 1 |
| AL-IGS2135 | 0604. 1 | WO-A2250 | 1804 | WO-A2513 | 2202. 1 |
| FM-GPW2135 | 1204. 2 | WO-2255 | 1804 | WO-A2515 | 1806 |
| FM-GPW2138 | 1204. 1 | FM-GPW2261 | 1204. 2 | WO-A2517 | 0605 |
| WO-A2138 | 1804 | FM-GP2261 | 1204. 2 | WO-A2518 | 0605 |
| FM-GP2140 | 1204. 1 | FM-GPW2263 | 1204. 3 | WO-A2584 | 2202. 1 |
| FM-GP2143A | 1204. 1 | WO-2263 | 1805 | WO-A2586 | 2202. 1 |
| FM-GP2145 | 1204. 1 | FM-GPW2264 | 1204. 3 | FM-GPW2591 | 1201. 2 |
| AL-IGC2148C | 0604. 1 | FM-GPW2265 | 1204. 3 | FM-GPW2592 | 1201. 2 |
| FM-GP2155 | 1204. 1 | FM-GPW2266 | 1204. 3 | CAR-25-93S | 0301 |
| AL-MZ2156 | 0603 | FM-GPW2267 | 1204. 3 | FM-GPW2598 | 1201. 1 |
| AL-MZ2156A | 0603 | FM-GPW2268 | 1204. 3 | FM-GPW2598B | 1201. 2 |
| SPR-2159 | 0615 | FM-GPW2270A | 1201. 1 | FM-GPW2606 | 1201. 2 |
| FM-GP2160 | 1204. 1 | FM-GPW2270 | 1201. 2 | WO-A2607 | 1806 |
| FM-GP2162 | 1204. 1 | FM-GPW2270B | {1201. 1 | FM-GP2614 | 1201. 1 |
| FM-GP2167 | 1204. 1 | | {1201. 2 | FM-GPW2614 | 1201. 2 |
| AL-IGC2168L | 0604. 1 | WO-A2271 | 1804 | FM-GPW2615 | 1201. 2 |
| SP-K2-1-68X | 0802. 3 | FM-GPW2272 | {1201. 1 | FM-GPW2616 | 1201. 1 |
| WO-A2168 | {1804 | | {1201. 2 | FM-GPW2616B | 1201. 2 |
| | 2201 | FM-GPW2274 | 1204. 3 | FM-GP2620 | 1201. 1 |
| FM-GP2169 | 1204. 1 | WO-A2278 | 1805 | FM-GPW2620B | 1201. 2 |
| FM-GP2170 | 1204. 1 | FM-GPW2279 | 1201. 1 | FM-GPW2621 | 1201. 2 |
| FM-GP2173 | 1204. 1 | FM-GPW2281 | {1204. 3 | FM-GPW2630 | 1201. 1 |
| CAR-21-74S | 0301 | | {2208. 1 | FM-GPW2632 | 1201. 1 |
| FM-GP2174 | 1204. 1 | FM-2298 | 1204. 3 | FM-GPW2632B | 1201. 2 |
| FM-GP2175 | 1204. 1 | WO-A2301 | 1804 | FM-GPW2633 | 1201. 2 |
| FM-GP2176 | 1204. 1 | WO-A2311 | 1805 | FM-GPW2634 | 1201. 2 |
| FM-GP2180 | 1204. 1 | WO-A2312 | 1805 | FM-GPW2635 | {1201. 1 |
| FM-GP2180A | 1204. 1 | WO-A2325 | 1804 | | {1201. 2 |
| FM-GP2183 | 1204. 1 | WO-A2336 | 1804 | WO-A2639 | 2201 |
| FM-GP2188 | 1204. 1 | WO-A2359 | 1504 | FM-GPW2640 | 1201. 2 |
| WO-A2188 | 1703 | WO-A2361 | 1808 | FM-GPW2642 | 1201. 2 |
| WO-A2190 | 1804 | WO-A2375 | {1701 | FM-GP2648 | 1201. 1 |
| FM-GP2192 | 1204. 2 | | {1805 | FM-GPW2648 | 1201. 2 |
| FM-GP2194 | 1204. 2 | WO-A2386 | 1804 | FM-GPW2653 | 1201. 2 |
| FM-GPW2196 | 1204. 2 | WO-A2389 | 1804 | FM-GPW2656 | 1201. 1 |
| FM-GP2196 | 1204. 2 | WO-A2390 | 1804 | FM-GPW2659 | 1201. 1 |
| FM-GPW2201 | 1204. 2 | CAR-24-23 | 0301 | FM-GPW2660 | 1201. 2 |
| FM-GP2201 | 1204. 2 | FM-GPW2452A | 1204. 1 | WO-A2662 | 1701 |
| FM-GP2204 | 1204. 2 | FM-GPW2452B | 1204. 1 | SP-K2-6-78X | 0900 |
| FM-GP2205 | 1204. 2 | WO-A2453 | 1806 | SP-K2-7-29 | 0900 |
| FM-GPW2206 | 1204. 2 | FM-GPW2454 | 1204. 1 | WO-A2744 | 2201 |
| FM-GP2208 | 1204. 2 | FM-GPW2454A | 1204. 1 | WO-A2745 | 2201 |
| FM-GPW2210B | 1202 | AL-IG2456 | 0604. 1 | WO-A2754 | 2201 |
| FM-GPW2211B | 1202 | FM-GPW2462 | 1204. 1 | WO-A2756 | 1804 |
| WO-A2213 | 1804 | WO-A2466 | {1804 | WO-A2757 | 1804 |
| WO-A2214 | {1804 | | {1808 | WO-A2758 | 1804 |
| | 2201 | WO-A2470 | 1804 | WO-A2760 | 1805 |

ORDNANCE AND MANUFACTURERS' PART NUMBER INDEX—Continued

| NUMBER | GROUP | NUMBER | GROUP | NUMBER | GROUP |
|--------------|-----------|--------------|---------|--------------|---------|
| WO-A2772 | 1804 | WO-A2908 | 1806 | WO-A3051 | 2201 |
| FM-GPW2774 | 1201. 2 | WO-A2909 | 2201 | WO-A3052 | 2201 |
| WO-A2774 | 1808 | WO-A2910 | 1806 | WO-3053 | 2201 |
| WO-A2775 | 1808 | WO-A2911 | 1806 | WO-A3054 | 2201 |
| WO-A2776 | 1804 | LO-FC2917 | 1204. 1 | WO-A3055 | 0306 |
| FM-GPW2780 | 1201. 1 | WO-A2917 | 1805 | WO-A3056 | 0306 |
| FM-GPW2782 | 1201. 2 | LO-FC2918A | 1204. 1 | WO-A3059 | 1703 |
| WO-A2782 | 1806 | WO-A2918 | 1805 | AL-VR Y3070D | 0602. 1 |
| WO-A2783 | 1806 | LO-FC2919B | 1204. 1 | WO-A3070 | 2201 |
| FM-GPW2784 | 1201. 2 | WO-A2919 | 1805 | AL-VR Y3071B | 0602. 1 |
| WO-A2787 | 1806 | WO-A2925 | 1806 | AL-VRH3071 | 0602. 3 |
| WO-A2788 | 1806 | LO-FC2926 | 1204. 1 | ECM-F3073 | 0602. 3 |
| WO-A2791 | 1804 | LO-FC2927 | 1204. 1 | FM-GPW3074 | 1001 |
| FM-GPW2793 | 1201. 2 | WO-A2930 | 0306 | WO-A3094 | 2101 |
| WO-A2796 | 1804 | WO-A2931 | 1805 | WO-A3095 | 2101 |
| WO-A2798 | 1804 | WO-A2932 | 1805 | WO-A3096 | 1701 |
| FM-GPW2805 | 1201. 2 | WO-A2933 | 1805 | FM-GP3105 | 1004 |
| WO-A2810 | 1808 | WO-A2934 | 2202 | WO-A3106 | 1806 |
| WO-A2811 | 1808 | WO-A2939 | 1804 | WO-A3107 | 1806 |
| WO-A2815 | 1804 | WO-2939 | 1804 | WO-A3108 | 1806 |
| WO-A2816 | 1804 | B&B-2940 | 0201 | WO-A3109 | 2201 |
| AVM-TP2818 | 0201 | WO-A2940 | 1804 | WO-A3110 | 2201 |
| WO-A2830 | 1806 | WO-A2941 | 1804 | WO-A3111 | 2201 |
| WO-A2832 | 1808 | WO-A2942 | 1701 | FM-GPW3112 | 1004 |
| WO-A2833 | 1806 | WO-A2943 | 1701 | WO-A3112 | 2201 |
| WO-A2836 | 1703 | WO-A2945 | 1806 | FM-GPW3113 | 1004 |
| WO-A2837 | 1805 | WO-A2948 | 1805 | WO-A3113 | 2201 |
| WO-A2838 | 1805 | WO-A2950 | 1805 | WO-A3114 | 1806 |
| WO-A2841 | 1701 | WO-A2952 | 0306 | FM-GP3115 | 1004 |
| WO-A2842 | 1701 | WO-A2953 | 0306 | WO-3115 | 1806 |
| WO-A2843 | 1701 | WO-A2954 | 0306 | WO-A3116 | 1805 |
| WO-A2844 | 1701 | WO-A2968 | 1804 | FM-GP3117A | 1004 |
| FM-GPW2848 | { 1201. 1 | WO-A2970 | 0306 | FM-GP3117B | 1004 |
| | { 1201. 2 | WO-A2979 | 1804 | FM-GP3117C | 1004 |
| AVM-TP285-1 | 0201 | WO-A2982 | 1805 | FM-GP3117D | 1004 |
| FM-GPW2852 | 1201. 1 | WO-A2983 | 1806 | WO-A3120 | 1804 |
| FM-GPW2853 | 1201. 1 | WO-A2984 | 1808 | ECM-F3120 | 0603 |
| FM-GPW2853B | 1201. 2 | WO-A2985 | 1806 | FM-GP3122 | 1004 |
| WO-A2853 | 1804 | WO-A2986 | 1806 | FM-GPW3131 | 1401 |
| ECM-F2855 | 0603 | WO-A2987 | 1806 | FM-GPW3131B | 1401 |
| WO-A2858 | 2101 | WO-A2988 | 1806 | WO-A3132 | 1804 |
| WO-A2859 | 1401. 1 | WO-A2990 | 1805 | FM-GP3135 | 1004 |
| WO-A2870 | 0609. 1 | WO-A2992 | 1805 | ECM-F3136 | 0603 |
| AVM-TP28-7-1 | 0201 | WO-A2994 | 1805 | AL-IGW3139 | 0604. 1 |
| WO-A2871 | { 0609. 1 | WO-A2995 | 1808 | FM-GP3139 | 1004 |
| | { 1808 | WO-A2998 | 2201 | FM-GP3140 | 1004 |
| WO-A2873 | 0609. 1 | WO-A2999 | 2201 | WO-A3141 | 2201 |
| WO-2875 | 0609. 1 | FM-GPW3001 | 1000 | WO-A3144 | 1805 |
| AL-X2878 | 0604. 1 | ECM-F3004 | 0603 | FM-GP3148A | 1004 |
| WO-A2878 | 0609. 1 | MSP-F3005 | 1501 | FM-GP3149A | 1004 |
| WO-A2879 | 1804 | WO-A3005 | 1804 | WO-A3155 | 1804 |
| WO-A2886 | 1806 | AL-VRH3008 | 0602. 3 | WO-A3158 | 1701 |
| WO-A2891 | 1701 | FM-GPW3016A | 1006 | WO-A3159 | 1701 |
| WO-A2892 | 1201. 1 | FM-GPW3017A | 1006 | FM-GPW3165 | 1401 |
| WO-A2895 | 1808 | CAR-30-20 | 0301 | FM-GPW3166 | 1401 |
| WO-A2896 | 1703 | LO-FC3023 | 1204. 2 | FM-GPW3167 | 1401 |
| WO-A2897 | 2201 | AL-IGP3028FS | 0604. 1 | FM-GPW3168 | 1401 |
| WO-A2900 | 2201 | WO-A3029 | 1806 | FM-GPW3169 | 1401 |
| WO-A2901 | 2201 | AL-VR Y3035 | 0602. 1 | FM-GPW3170 | 1401 |
| WO-A2902 | 2201 | AL-VRH3035 | 0602. 3 | WO-A3173 | 1804 |
| WO-A2905 | 1806 | CAR-30A39 | 0301 | WO-A3182 | 1804 |

ORDNANCE AND MANUFACTURERS' PART NUMBER INDEX—Continued

| NUMBER | GROUP | NUMBER | GROUP | NUMBER | GROUP |
|-------------|-------|--------------|---------|---------------|---------|
| WO-A3189 | 1804 | LO-FC-34-74 | 1204. 1 | WO-A3823 | 1808 |
| WO-A3190 | 1804 | WO-A3497 | 0306 | WO-A3835 | 1808 |
| WO-A3197 | 1703 | FM-GPW3504 | 1401. 1 | CAR-39-10 | 0301 |
| WO-A3198 | 1808 | FM-GPW3506 | 1401. 1 | CAR-39-11 | 0301 |
| FM-GP3200 | 1006 | FM-GPW3509 | 1401. 1 | SP-39Q20 | {0704 |
| FM-GP3200A | 1006 | FM-GPW3511 | 1401. 1 | | {0804 |
| WO-A3203 | 1804 | FM-GPW3514 | 1401. 1 | WO-A3933 | 1808 |
| FM-GP3204 | 1006 | FM-GPW3517 | 1401. 1 | WO-A3934 | 1808 |
| WO-A3204 | 1804 | FM-GPW3518 | 1401. 1 | WO-A3943 | 1808 |
| FM-GP3205 | 1004 | FM-GPW3520 | 1401. 1 | WO-A3980 | 1806 |
| FM-GP3205A | 1004 | FM-GPW3521 | 1401. 1 | WO-A3981 | 1806 |
| FM-GPW3206A | 1006 | FM-GPW3524 | 1401. 1 | WO-A3982 | 1806 |
| WO-A3206 | 1805 | WO-A3531 | 1808 | WO-A3983 | 1806 |
| FM-GPW3207A | 1006 | WO-A3532 | 1808 | WO-A3984 | 1806 |
| WO-A3207 | 1805 | WO-A3536 | 1808 | WO-A3985 | 1806 |
| FM-GP3208A | 1006 | WO-A3537 | 1808 | FM-GPW4000 | 1100 |
| FM-GP3208B | 1006 | WO-A3538 | 1808 | FM-GPW4001 | 1100 |
| WO-A3208 | 1805 | FM-GPW3548 | 1401. 1 | AL-SPK4003 | 2208. 1 |
| WO-A3209 | 1805 | WO-A3549 | 2101 | FM-GPW4004 | 1100 |
| WO-A3210 | 1804 | FM-GPW3552 | 1401. 1 | AL-IAD4008 | 0604. 1 |
| WO-A3211 | 2201 | FM-GPW3563 | 1401. 1 | AL-SW4015 | 0603 |
| FM-GP3215A | 1006 | WO-3563 | 1800 | FM-GP4015 | {1001 |
| FM-GP3216 | 1006 | FM-GPW3568 | 1401. 1 | | {1100 |
| WO-A3216 | 2201 | WO-A3574 | 1804 | FM-GP4016A | 1001 |
| FM-GP3217 | 1006 | FM-GPW3575 | 1401. 1 | FM-GP4016 | {1001 |
| FM-GP3218 | 1006 | WO-A3575 | 1804 | | {1100 |
| FM-GPW3219 | 1006 | FM-GPW3576 | 1401. 1 | FM-GP4016A | 1100 |
| FM-GP3221 | 1006 | FM-GPW3577 | 1401. 1 | FM-GP4022 | {1001 |
| WO-A3222 | 1805 | WO-A3578 | 1804 | | {1100 |
| WO-A3225 | 1703 | FM-GPW3581 | 1401. 1 | FM-GP4032 | 1102 |
| FM-GPW3226 | 1006 | FM-GPW3583 | 1401. 1 | FM-GP4035 | {1001 |
| WO-A3226 | 1808 | FM-GPW3587 | 1401. 1 | | {1100 |
| FM-GPW3227 | 1006 | FM-GPW3589 | 1401. 1 | ECM-F4045 | 0603 |
| WO-A3227 | 1808 | FM-GPW3590 | 1401. 1 | AL-IG4070L | 0605 |
| FM-GPW3279 | 1401 | FM-GPW3593 | 1401. 1 | AL-VRH4101C | 0602. 3 |
| FM-GPW3280 | 1401 | FM-GPW3594 | 1401. 1 | AL-MZ4113 | 0603 |
| FM-GPW3281 | 1401 | FM-GPW3595 | 1401. 1 | WO-A4116 | 1804 |
| FM-GPW3282 | 1401 | FM-GPW3600A | 1401. 1 | WO-A4118 | 2101 |
| FM-GP3289 | 1401 | WO-A3615 | 2101 | WO-A4120 | 1804 |
| FM-GP3290 | 1401 | FM-GPW3627 | 0611 | WO-A4123 | 1808 |
| FM-GP3291 | 1401 | FM-GPW3631 | 0611 | AL-MZ4124 | 0603 |
| FM-GP3292 | 1401 | FM-GPW3635 | 0611 | WO-A4127 | 1808 |
| FM-GPW3304 | 1401 | FM-GPW3635B | 0611 | WO-A4128 | 1808 |
| FM-GPW3304B | 1401 | FM-GPW3646 | 0611 | WO-A4130 | 1808 |
| FM-GPW3305 | 1401 | FM-GPW3652 | 0611 | LO-FC4158 | 1204. 2 |
| FM-GPW3305B | 1401 | WO-A3652 | 1808 | AL-VR Y 4203A | 0602. 1 |
| FM-GPW3320 | 1401 | FM-GPW3655 | 1401. 1 | AL-VR Y 4203B | 0602. 1 |
| FM-GPW3323 | 1401 | FM-GPW3658 | 1401. 1 | AL-VR Y 4203C | 0602. 1 |
| FM-GPW3325 | 1004 | LO-S-FC3678A | 1204. 1 | AL-VR Y 4203D | 0602. 1 |
| FM-GPW3326 | 1401 | FM-GPW3682A | 1401. 1 | AL-VR Y 4203F | 0602. 1 |
| FM-GPW3327 | 1401 | FM-GPW3685B | 0605 | AL-VR Y 4203G | 0602. 1 |
| FM-GPW3328 | 1401 | FM-GPW3685 | 0605 | FM-GP4206 | {1002 |
| FM-GPW3328A | 1401 | FM-GPW3686 | 0605 | | {1102 |
| FM-GPW3336 | 1401 | FM-GPW3686B | 0605 | FM-GP4207 | {1002 |
| FM-GPW3365 | 0900 | WO-A3780 | 1703 | | {1102 |
| FM-GPW3370 | 0900 | WO-A3782 | 1805 | FM-GPW4207 | {1002 |
| FM-GP3374 | 1006 | WO-3783 | 0704 | | {1102 |
| WO-A3434 | 1808 | WO-A3783 | 1805 | FM-GPW4209 | {1002 |
| WO-A3436 | 1808 | WO-A3784 | {0804 | | {1102 |
| WO-A3437 | 1808 | | {1805 | FM-GP4211 | {1002 |
| CAR-3-465S | 0301 | WO-A3818 | 1808 | | {1102 |

ORDNANCE AND MANUFACTURERS' PART NUMBER INDEX—Continued

| NUMBER | GROUP | NUMBER | GROUP | NUMBER | GROUP |
|------------|---------|-------------|----------|-------------|---------|
| FM-GPW4212 | {1002 | FM-GP4660A | {1002 | FM-GPW5072 | 1501 |
| | 1102 | | 1102 | WO-A5073 | 0613. 1 |
| FM-GPW4215 | {1002 | FM-GP4660B | {1002 | WO-A5074 | 0613. 1 |
| | 1102 | | 1002 | FM-GPW5077 | 1501 |
| FM-GP4224 | {1002 | FM-GP4660C | {1102 | WO-A5078 | 0613. 1 |
| | 1102 | | 1102 | WO-A5079 | 0613. 1 |
| FM-GP4228 | {1002 | FM-GP4661 | {1002 | WO-A5080 | 0613. 1 |
| | 1102 | LO-FD4664 | 1204. 2 | WO-A5081 | 0613. 1 |
| FM-GP4229A | {1002 | LO-4665 | 1204. 2 | WO-A5082 | 0613. 1 |
| | 1102 | FM-GP4666 | 1002 | WO-A5083 | 0605 |
| FM-GP4229B | {1002 | FM-GP4666 | 1102 | FM-GPW5084 | {0800 |
| | 1102 | FM-GP4668 | {1002 | | 1501 |
| FM-GP4229C | {1002 | WO-A4680 | 1102 | FM-GPW5095 | 1501 |
| | 1102 | WG-4682K | 1703 | FM-GPW5097 | 1501 |
| FM-GP4229E | {1002 | WG-4684 | 0702. 2 | AL-GEG5101 | 0601. 1 |
| | 1102 | WG-4686 | 0701 | AL-GEG5101D | 0601. 1 |
| FM-GP4229D | {1002 | WG-4687 | 0702. 2 | WO-A5102 | 0202 |
| | 1102 | WO-A4687 | 2202. 1 | WO-A5104 | 0304 |
| FM-GP4230 | {1002 | AL-IGC4705 | 0604. 1 | WO-A5105 | 0106. 6 |
| | 1102 | SP-475-2 | 0802. 5 | WO-A5106 | 0312 |
| FM-GPW4234 | 1102 | AL-GDJ4808 | 0601. 3 | FM-GPW5106 | 1501 |
| FM-GPW4235 | 1102 | FM-GP4841 | 0900 | FM-GPW5113 | 1501 |
| FM-GPW4236 | {1002 | FM-GP4842 | 0900 | FM-GPW5116 | 1401. 1 |
| | 1102 | FM-GP4863 | 0802. 3 | FM-GPW5118 | 1204. 1 |
| FM-GP4241 | {1002 | FM-GPW4863 | 0802. 3 | WO-5120 | 1805 |
| | 1102 | FM-GP4865 | 0802. 3 | WO-A5121 | 0103 |
| FM-GP4252 | 1311 | FM-GP4866 | 0900 | WO-A5125 | 0100 |
| FM-GPW4259 | 1102 | CAR-48-84 | 0301 | FM-GPW5125 | 1501 |
| WO-A4260 | 1804 | AL-GEG5001A | 0601. 1 | WO-A5127 | 1501 |
| FM-GP4281 | {1002 | AL-GEG5002D | 0601. 1 | KS-5131 | 2208. 1 |
| | 1102 | FM-GPW5005 | 1501 | CA-S5143 | 1401 |
| WO-A4300 | 1804 | FM-GPW5005B | 1501 | CA-S5144 | 1401 |
| WO-A4303 | 1804 | FM-GPW5015 | 1501 | CA-S5145 | 1401 |
| B & B-4324 | 0201 | FM-GPW5016 | 1501 | WO-A5164 | 0503 |
| CAR-43-67 | 0301 | FM-GPW5019 | 1501 | WO-A5165 | 0106. 6 |
| WO-A4413 | 0501 | FM-GPW5025 | 1501 | FM-GPW5165 | 0612 |
| WO-A4414 | 1800 | WO-A5027 | 0615 | WO-A5168 | 0106. 6 |
| WO-A4415 | 1800 | AL-IGP5028 | 0604. 1 | FM-GPW5168 | 0612 |
| WG-4418M | 0704 | FM-GPW5028 | 1501 | FM-GPW5175 | 0612 |
| WG-4496K | 0704 | WO-A5030 | 0615 | FM-GPW5181 | 1501 |
| WG-4497 | 0704 | WO-A5031 | 0615 | WO-A5181 | 1501 |
| WG-4498K | 0704 | WO-A5032 | 0615 | FM-GPW5182 | 1503 |
| WO-A4518 | 1804 | WO-A5033 | 0615 | WO-5182 | 1808 |
| FM-GP4533 | 0900 | WO-A5034 | 0615 | FM-GPW5186 | {0617 |
| LO-FD4564 | 1204. 1 | WO-A5035 | 0615 | | 1503 |
| WO-A4592 | 1804 | FM-GPW5035 | 1501 | WO-5216 | 2201 |
| FM-GPW4602 | 0900 | WO-A5036 | 0615 | WO-A5224 | 1204. 3 |
| FM-GPW4605 | 0900 | WO-A5037 | 0615 | WO-A5225 | 1204. 3 |
| AL-EBA4611 | 0603 | WO-A5038 | 0615 | WO-A5226 | 1204. 3 |
| WG-4611 | 0704 | WO-A5039 | 0615 | WO-A5227 | 1204. 3 |
| FM-GP4619 | {1002 | WO-A5040 | 0615 | FM-GPW5230B | 0401 |
| | 1102 | WO-A5041 | {0613. 1 | FM-GPW5230 | 0401 |
| FM-GP4659A | {1002 | WO-A5048 | 0615 | FM-GPW5230A | 0401 |
| | 1102 | SW-5052 | 0613. 1 | FM-GPW5230C | 0401. 1 |
| FM-GP4659B | {1002 | FM-GPW-5057 | 2208. 1 | WO-A5231 | 0607 |
| | 1102 | WO-A5061 | 1501 | FM-GPW5233 | 0401. 1 |
| FM-GP4659C | {1002 | CA-S5069 | 0613. 1 | WO-5242 | 1804 |
| | 1102 | WO-A5070 | 1401 | FM-GPW5245B | 0401. 1 |
| FM-GP4659D | {1002 | CA-S5070 | 0613. 1 | FM-GPW5246 | 0401 |
| | 1102 | WO-A5072 | 1401 | FM-GPW5246B | 0401 |
| FM-4660B | 1102 | | 0613. 1 | FM-GPW5251 | 0401 |

ORDNANCE AND MANUFACTURERS' PART NUMBER INDEX—Continued

| NUMBER | GROUP | NUMBER | GROUP | NUMBER | GROUP |
|-------------|----------|-------------|---------|--------------|----------|
| FM-GPW5251B | 0401. 1 | FM-GPW5453 | 1601. 1 | FM-GPW5611 | 1602 |
| FM-GPW5253 | 0401. 1 | FM-GPW5453B | 1601. 1 | WO-A5621 | 0304 |
| WO-5256 | 0602. 1 | FM-GPW5455 | 1601. 1 | WO-A5629 | 0304 |
| WO-A5256 | 0602. 3 | FM-GPW5455B | 1601. 1 | WO-A5630 | 0304 |
| FM-GPW5262 | {0401 | FM-GPW5456 | 1601. 1 | WO-A5631 | 0304 |
| | {0401. 1 | FM-GPW5458 | 1601. 1 | WO-A5632 | 0304 |
| FM-GPW5264 | 0401 | FM-GPW5459 | 1601. 1 | WO-A5633 | 0304 |
| FM-GPW5264A | 0401 | FM-GPW5460 | 1601. 1 | FM-GPW5705 | 1601. 1 |
| | {0401 | FM-GPW5463 | 1601. 1 | FM-GPW5705B | 1601. 1 |
| FM-GPW5264B | {0401. 1 | FM-GPW5463B | 1601. 1 | FM-GPW5705C | 1601. 1 |
| | {0401. 1 | FM-GPW5464 | 1601. 1 | FM-GPW5724B | 1601 |
| FM-GPW5265 | 0401. 1 | FM-GPW5464B | 1601. 1 | FM-GPW5724A | 1601 |
| FM-GPW5266 | 0401. 1 | WO-A5467 | 1311 | LO-S-FC5727A | 1204. 1 |
| FM-GPW5269 | 0401 | WO-A5468 | 1311 | WO-A5734 | 2208. 1 |
| FM-GPW5270 | {0401 | FM-GPW5468 | 1601. 1 | WO-A5753 | {0401 |
| | {0401 | WO-A5469 | 1311 | | {0401. 1 |
| FM-GPW5274 | {0401. 1 | WO-A5470 | 1311 | LO-FC5778 | 1204. 3 |
| | {0401 | WO-A5471 | 1311 | FM-GPW5778 | 1601. 1 |
| FM-GPW5283 | {0401. 1 | WO-A5472 | 2210 | FM-GPW5779 | 1601. 1 |
| | {0401 | FM-GPW5481 | 1601. 1 | WO-A5781 | 1201. 2 |
| FM-GPW5291B | {1501 | FM-GPW5482 | 1601. 1 | FM-GPW5781 | 1601 |
| | {0401 | WO-A5497 | 0100 | FM-GPW5781A | 1601 |
| FM-GPW5298 | 0401 | WO-A5598 | 1000 | FM-GPW5783A | 1604 |
| FM-GPW5310B | 1601 | WO-A5499 | 1000 | LO-FC5784 | 1204. 3 |
| FM-GPW5310 | 1601 | WO-A5500 | 1100 | LO-FC5795 | 1204. 3 |
| FM-GPW5311 | 1601 | WO-A5504 | 1004 | SP-5815X | 1201. 1 |
| FM-GPW5313B | 1601 | WO-A5549 | 1311 | SP-5866X | 0802. 3 |
| FM-GPW5313A | 1601 | WO-A5553 | 0702. 1 | SP-5900X | 1201. 1 |
| FM-GPW5315B | 1601 | WO-A5554 | 0702. 1 | DM-5941 | 0605 |
| FM-GPW5315A | 1601 | LO-FC5555 | 1204. 3 | DM-5943 | 0608 |
| FM-GPW5316B | 1601 | FM-GPW5560 | 1601 | DM-5944 | 0608 |
| FM-GPW5316A | 1601 | FM-GPW5560B | 1601 | SP-5951X | 0806. 5 |
| FM-GPW5317B | 1601 | FM-GPW5563 | 1601 | SP-5962X | 0802. 3 |
| FM-GPW5317A | 1601 | FM-GPW5564 | 1601 | WO-A5980 | 0615 |
| FM-GPW5318B | 1601 | FM-GPW5565 | 1601 | WO-A5981 | 0613. 1 |
| FM-GPW5318A | 1601 | FM-GPW5566 | 1601 | WO-A5992 | 0601. 1 |
| FM-GPW5319B | 1601 | FM-GPW5567 | 1601 | LO-FC5992 | 1204. 2 |
| FM-GPW5319A | 1601 | FM-GPW5568 | 1601 | LO-FC5993 | 1204. 2 |
| FM-GPW5320B | 1601 | FM-GPW5569 | 1601 | LO-FC5994 | 1204. 2 |
| FM-GPW5320A | 1601 | FM-GPW5570 | 1601 | LO-FC5997 | 1204. 2 |
| FM-GPW5321B | 1601 | FM-GPW5571 | 1601 | LO-FC5998 | 1204. 2 |
| FM-GPW5312A | 1601 | FM-GPW5572 | 1601 | DM-5999 | 0608 |
| FM-GPW5330B | 1601 | WO-A5586 | 0609. 1 | LO-FC6003 | 1204. 2 |
| FM-GPW5330A | 1601 | FM-GPW5587B | 1602 | FM-GPW6004 | 0100 |
| FM-GPW5333A | 1601 | FM-GPW5587 | 1602 | FM-GPW6005 | 0100 |
| FM-GPW5333B | 1601 | FM-GPW5588A | 1602 | LO-FC6007 | 1204. 1 |
| | {1201. 1 | FM-GPW5588 | 1602 | AL-IG6009 | 0605 |
| WO-A5335 | {1201. 2 | FM-GPW5590 | 1602 | FM-GPW6009 | 0101 |
| | {0615 | FM-GPW5590B | 1602 | LO-FC6009 | 1204. 1 |
| WO-A5337 | 0615 | WO-A5598 | 0613. 1 | FM-GPW6010 | 0101 |
| FM-GPW5337 | 1501 | FM-GPW5601 | 1601. 1 | LO-FC6010 | 1204. 1 |
| FM-GPW5341 | 1501 | FM-GPW5602 | 1602 | LO-FC6011 | 1204. 1 |
| FM-GPW5345A | 1601 | FM-GPW5604 | 1602 | CB-6012 | 0609. 1 |
| FM-GPW5345B | 1601 | FM-GPW5604A | 1602 | LO-FC6014 | 1204. 1 |
| | {1201. 1 | FM-GPW5605 | 1602 | FM-GPW6016 | 0105. 4 |
| WO-A5393 | {1201. 2 | FM-GPW5606 | 1602 | LO-S-FC6018E | 1204. 1 |
| | {1501 | FM-GPW5607 | 1602 | LO-S-FC6019 | 1204. 1 |
| WO-A5415 | 1501 | FM-GPW5607A | 1602 | FM-GPW6020 | 0105. 4 |
| | {0613. 1 | FM-GPW5608 | 1601. 1 | WO-A6029 | 1000 |
| WO-A5449 | {1204. 3 | FM-GPW5609 | 1602 | FM-GPW6029 | 1501 |
| | {2208. 1 | FM-GPW5610 | 1602 | WO-A6030 | 1006 |
| | {0306 | | | | |
| WO-A5450 | {0613. 1 | | | | |
| FM-GPW5452 | 1501 | | | | |

ORDNANCE AND MANUFACTURERS' PART NUMBER INDEX—Continued

| NUMBER | GROUP | NUMBER | GROUP | NUMBER | GROUP |
|-------------|---------|-------------|---------|-------------|---------|
| FM-GPW6030 | 1501 | WO-A613-6 | 1601 | WO-A6278 | 1006 |
| FM-GPW6031 | 0105. 4 | WO-A613-7 | 1601 | WO-A6279 | 1006 |
| WO-A6031 | 1006 | WO-A613-8 | 1601 | DM-6282 | 0605 |
| FM-GPW6038 | 0100 | WO-A614-1 | 1601 | FM-GPW6285 | 0105. 3 |
| FM-GPW6038A | 0100 | WO-A6142 | 0609. 1 | FM-GPW6286 | 0105. 4 |
| FM-GPW6040A | 0100 | WO-A614-2 | 1601 | FM-GPW6287 | 0102 |
| FM-GPW6040B | 0100 | WO-A6143 | 0609. 1 | FM-GPW6288 | 0105. 4 |
| FM-GPW6043 | 0100 | WO-A614-3 | 1601 | WO-A6288 | 1006 |
| FM-GPW6044 | 0100 | WO-A614-4 | 1601 | WO-A6289 | 1006 |
| FM-GPW6050 | 0101 | WO-A614-5 | 1601 | WO-A6290 | 1006 |
| FM-GPW6051 | 0101 | WO-A614-6 | 1601 | WO-6290 | 1804 |
| FM-GPW6051B | 0101 | WO-A6147 | 0609. 1 | | 2201 |
| FM-GPW6054 | 0105. 4 | WO-A614-7 | 1601 | WO-A6291 | 1006 |
| FM-GPW6065 | 0101 | WO-A614-8 | 1601 | WO-A6292 | 1006 |
| FM-GPW6066 | 0101 | WO-A614-9 | 0503 | WO-A6293 | 1006 |
| WO-A6066 | 1602 | FM-GPW6149E | 0104 | WO-A6294 | 1006 |
| FM-GPW6067 | 0101 | FM-GPW6149G | 0104 | WO-A6295 | 1006 |
| WO-A6067 | 1602 | FM-GPW6149H | 0104 | WO-A6298 | 0601. 1 |
| WO-A6068 | 1602 | FM-GPW6149J | 0104 | WO-A6300 | 0601. 1 |
| FM-GPW6069 | 0100 | WO-A6149 | 0608 | WO-A6301 | 0601. 1 |
| WO-A6069 | 1602 | | 1601 | FM-GPW6303A | 0102 |
| FM-GPWS6071 | 0100 | FM-GPW6150A | 0104 | WO-A6305 | 1401 |
| WO-A6071 | 1602 | FM-GPW6150C | 0104 | FM-GPW6306 | 0105. 4 |
| WO-A6072 | 1602 | FM-GPW6150D | 0104 | FM-GPW6308 | 0102 |
| WO-A6073 | 1602 | FM-GPW6150E | 0104 | FM-GPW6310 | 0102 |
| WO-A6074 | 1602 | WO-A6152 | 0608 | FM-GPW6312 | 0102 |
| WO-A6075 | 1601. 1 | WO-A6153 | 0613. 1 | FM-GPWS6312 | 0102 |
| WO-A6084 | 1201. 2 | WO-A6154 | 0613. 1 | CAR-6-312S | 0301 |
| FM-GPW6098 | 0100 | FM-GPW6155A | 0104 | WO-A6313 | 0609. 1 |
| FM-GPW6105A | 0104 | FM-GPW6155G | 0104 | WO-A6317 | 0702. 2 |
| FM-GPW6105C | 0104 | FM-GPW6155H | 0104 | WO-A6318 | 0702. 2 |
| FM-GPW6105D | 0104 | FM-GPW6155J | 0104 | FM-GPW6319 | 0102 |
| FM-GPW6105F | 0104 | WO-A6156 | 0100 | WO-A6319 | 0702. 2 |
| WO-6108 | 1202 | FM-GPW6156F | 0104 | WO-A6320 | 0615 |
| WO-A6109 | 1202 | FM-GPW6156H | 0104 | FM-GPW6326 | 0102 |
| FM-GPW6110A | 0104 | FM-GPW6156J | 0104 | WO-A6326 | 1601. 1 |
| FM-GPW6110C | 0104 | FM-GPW6156K | 0104 | FM-GPW6331A | 0102. 1 |
| FM-GPW6110D | 0104 | CAR-61-57 | 0301 | FM-GPW6331B | 0102. 1 |
| WO-A6110 | 1204. 2 | WO-A6168 | 1602 | FM-GPW6331C | 0102. 1 |
| WO-A6111 | 1204. 2 | WO-A6169 | 1602 | FM-GPW6331D | 0102. 1 |
| WO-A6113 | 1204. 2 | WO-A6181 | 0603 | FM-GPW6333A | 0102. 1 |
| WO-A6116 | 1204. 2 | FM-GPW6200 | 0104. 1 | FM-GPW6333B | 0102. 1 |
| WO-A6117 | 1204. 2 | FM-GPW6201 | 0104. 1 | FM-GPW6333C | 0102. 1 |
| WO-A6118 | 0401 | DM-6203 | 0608 | FM-GPW6333D | 0102. 1 |
| WO-A6119 | 0401 | FM-GPW6211A | 0104. 1 | WO-A6333 | 0306 |
| WO-A612-1 | 1601 | FM-GPW6211B | 0104. 1 | CAR-63-35 | 0301 |
| WO-A612-2 | 1601 | FM-GPW6211C | 0104. 1 | FM-GPW6337A | 0102. 1 |
| WO-A612-3 | 1601 | FM-GPW6211D | 0104. 1 | FM-GPW6337B | 0102. 1 |
| WO-A612-4 | 1601 | FM-GPW6243 | 0105. 3 | FM-GPW6337C | 0102. 1 |
| WO-A612-5 | 1601 | FM-GPW6244 | 0105. 3 | FM-GPW6337D | 0102. 1 |
| WO-A612-6 | 1601 | DM-6244 | 0608 | FM-GPW6338A | 0102. 1 |
| WO-A6127 | 0503 | FM-GPW6245 | 0105. 3 | FM-GPW6338B | 0102. 1 |
| WO-A612-7 | 1601 | DM-6245 | 0608 | FM-GPW6338C | 0102. 1 |
| WO-A612-8 | 1601 | FM-GPW6250 | 0105. 3 | FM-GPW6338D | 0102. 1 |
| WO-A613-1 | 1601 | FM-GPW6256 | 0105. 4 | FM-GPW6339A | 0102. 1 |
| WO-A613-2 | 1601 | FM-GPW6260 | 0105. 4 | FM-GPW6339B | 0102. 1 |
| WO-A613-3 | 1601 | FM-GPW6262A | 0105. 3 | FM-GPW6339C | 0102. 1 |
| WO-A613-4 | 1601 | FM-GPW6269 | 0105. 4 | FM-GPW6339D | 0102. 1 |
| FM-GPW6135A | 0104 | WO-A6272 | 1006 | FM-GPW6341A | 0102. 1 |
| FM-GPW6135D | 0104 | WO-A6274 | 1006 | FM-GPW6341B | 0102. 1 |
| WO-A613-5 | 1601 | WO-A6275 | 1006 | FM-GPW6341C | 0102. 1 |

ORDNANCE AND MANUFACTURERS' PART NUMBER INDEX—Continued

| NUMBER | GROUP | NUMBER | GROUP | NUMBER | GROUP |
|-------------|-----------|-------------|---------|-------------|---------|
| FM-GPW6341D | 0102. 1 | FM-GPW6600 | 0106. 1 | WO-A6853 | 0312 |
| FM-GPW6342B | 0102 | FM-GPW6604 | 0106. 1 | WO-A6858 | 1401. 1 |
| FM-GPW6342A | 0105. 4 | FM-GPW6608 | 0106. 1 | WO-A6861 | 1602 |
| WO-A6343 | 1401. 1 | FM-GPW6610 | 0106. 1 | WO-A6895 | 0106. 5 |
| FM-GPW6345 | 0102 | FM-GPW6614 | 0106. 1 | WO-A6897 | 0306 |
| FM-GPW6353 | 0102 | FM-GPW6615 | 0106. 6 | WO-A6902 | 1604 |
| WO-A6355 | 0613. 1 | FM-GPW6617 | 0106. 6 | WO-A6903 | 1604 |
| WO-A6356 | 0617 | WO-A6618 | 0306 | WO-A6911 | 0304 |
| WO-A6357 | 0301 | FM-GPW6619 | 0106. 1 | WO-A6915 | 0106. 6 |
| WO-A6361 | 1006 | FM-GPW6625 | 0106. 1 | WO-A6918 | 0304 |
| WO-A6362 | 1006 | FM-GPW6627 | 0106. 6 | WO-A6919 | 0106. 5 |
| CAR-63-65 | 0301 | FM-GPW6628 | 0106. 1 | WO-A6922 | 0106. 5 |
| FM-GPW6369 | 0102. 1 | FM-GPW6630 | 0106. 1 | WO-A6933 | 0501 |
| WO-A6373 | 0503 | FM-GPW6642 | 0106. 1 | WO-A6941 | 0501 |
| WO-A6374 | 0503 | FM-GPW6644 | 0106. 1 | WO-A6942 | 0501 |
| FM-GPW6375 | 0103 | FM-GPW6648 | 0106. 5 | WO-A6945 | 0501 |
| SP-S638-1 | { 1002 | FM-GPW6654 | 0106. 1 | WO-A6946 | 0501 |
| | { 1102 | FM-GPW6659 | 0106. 1 | WO-A6949 | 0501 |
| WO-A6382 | 1006 | FM-GPW6663 | 0106. 1 | FM-GPW7000 | 0700 |
| SP-S638-2 | { 1002 | FM-GPW6664 | 0106. 1 | FM-GPW7000B | 0700 |
| | { 1102 | FM-GPW6673 | 0106. 1 | FM-GPW7005 | 0701 |
| WO-A6383 | 1006 | FM-GPW6675 | 0106. 6 | FM-GPW7005A | 0701 |
| SP-S638-3 | { 1002 | FM-GPW6684 | 0106. 1 | FM-GPW7007 | 0103 |
| | { 1102 | FM-GPW6700 | 0102 | FM-GPW7015 | 0702. 1 |
| FM-GPW6384 | 0103 | FM-GPW6701 | 0102 | FM-GPW7017 | 0702. 1 |
| WO-A6384 | 1006 | WO-A6701 | 0102 | FM-GPW7023 | 0105. 4 |
| FM-GPW6387 | 0103 | FM-GPW6702 | 0102 | BX-70S25 | 1201. 2 |
| FM-GPW6390 | 0103 | FM-GPW6710 | 0106. 6 | FM-GPW7050 | 0702. 1 |
| FM-GPW6392 | 0103 | WO-A6710 | 0312 | FM-GPW7051B | 0700 |
| CAR-63-93 | 0301 | FM-GPW6727 | 0106. 6 | FM-GPW7052 | 0702. 1 |
| WO-A6393 | { 0617 | FM-GPW6734 | 0106. 6 | FM-GPW7056 | 0701 |
| | { 1503 | WO-A6740 | { 0800 | FM-GPW7059 | 0702. 2 |
| WO-A6424 | 0306 | | { 1501 | FM-GPW7060 | 0702. 2 |
| WO-6436 | { 1601. 1 | WO-A6746 | 0102. 1 | GM-GPW7061 | 0702. 2 |
| | { 1602 | WO-A6747 | 0102. 1 | FM-GPW7062 | 0702. 2 |
| WO-A6439 | 1102 | WO-A6748 | 0102. 1 | FM-GPW7062B | 0702. 2 |
| WO-A6442 | 1000 | FM-GPW6756 | 0106. 5 | FM-GPW7063 | 0702. 2 |
| SP-6452X | 0801 | FM-GPW6758 | 0106. 5 | FM-GPW7064 | 0702. 1 |
| CAR-64-62S | 0301 | FM-GPW6758A | 0106. 5 | WG-B7070 | 0702. 1 |
| WO-A6470 | 1000 | FM-GPW6758B | 0106. 5 | FM-B7070 | 0702. 1 |
| FM-GPW6500A | 0105. 2 | FM-GPW6762 | 0106. 5 | FM-GPW7074 | 0900 |
| FM-GPW6500B | 0105. 2 | FM-GPW6763A | 0106. 6 | FM-GP7077 | 0900 |
| FM-GPW6505 | 0105. 1 | FM-GPW6763B | 0106. 6 | FM-GPW7080 | 0702. 2 |
| FM-GPW6507 | 0105. 1 | FM-GPW6763C | 0106. 6 | FM-GPW7082 | 0702. 2 |
| FM-GPW6510 | 0105. 1 | FM-GPW6766B | 0106. 6 | FM-GPW7084 | 0900 |
| FM-GPW6510B | 0105. 1 | FM-GPW6766C | 0106. 6 | FM-GP7092 | 0900 |
| FM-GPW6511 | 0105. 1 | FM-GPW6769 | 0106. 5 | FM-GP7097 | 0900 |
| FM-GPW6511B | 0105. 1 | FM-GPW6770 | 0106. 6 | FM-GPW7100 | 0702. 2 |
| WO-A6511 | 1601. 1 | FM-GPW6771 | 0304 | FM-GPW7102 | 0702. 2 |
| FM-GPW6513 | 0105. 1 | WO-A6783 | 0609. 1 | FM-GPW7104 | 0702. 2 |
| FM-GPW6514 | 0105. 1 | FM-GPW6789 | 0106. 6 | FM-GPW7104A | 0702. 2 |
| FM-GPW6519 | 0105. 1 | WO-A6793 | 0101 | FM-GPW7105 | 0702. 2 |
| FM-GPW6520 | 0105. 1 | WO-A6794 | 0104 | FM-GPW7106 | 0702. 2 |
| FM-GPW6521 | 0105. 1 | WO-A6796 | 0104 | FM-GPW7107 | 0702. 2 |
| WO-A6525 | 0106. 6 | WO-A6797 | 0104 | FM-GPW7109 | 0702. 2 |
| FM-GPW6546 | 0105. 1 | WO-A6798 | 0102. 1 | FM-GPW7111 | 0702. 3 |
| FM-GPW6549 | 0105. 2 | WO-A6811 | 0605 | FM-GPW7113 | 0702. 3 |
| FM-GPW6549B | 0105. 2 | WO-A6813 | 0605 | FM-GPW7115 | 0702. 3 |
| FM-GPW6552B | 0105. 2 | WO-A6814 | 0605 | CAR-7-116S | 0301 |
| FM-GPW6555A | 0105. 1 | WO-A6818 | 0106. 2 | FM-GPW7116 | 0702. 2 |
| SP6563X | 1201. 2 | WO-A6851 | 0312 | FM-GPW7119 | 0702. 3 |

ORDNANCE AND MANUFACTURERS' PART NUMBER INDEX—Continued

| NUMBER | GROUP | NUMBER | GROUP | NUMBER | GROUP |
|-------------|---------|-------------|----------|-------------|----------|
| FM-GPW7120 | 0702. 2 | FM-GPW7520A | 0202 | FM-GPW7773 | 0801 |
| FM-GPW7121 | 0702. 3 | FM-GPW7521 | 0202 | FM-GPW7774 | 0801 |
| FM-GPW7124 | 0702. 2 | FM-GPW7523 | 0202 | FM-GP7776 | 0802. 3 |
| FM-GPW7126 | 0702. 3 | FM-GPW7525 | 0202 | FM-GP7777 | 0802. 3 |
| FM-K7129B | 0501 | FM-GPW7525A | 0202 | FM-GP7777A | 0802. 3 |
| FM-GPW7129 | 0702. 3 | FM-GPW7530 | 0202 | FM-GPW7781A | 0800 |
| FM-GPW7129A | 0702. 3 | FM-GPW7532 | 0202 | FM-GP7782A | 0801 |
| FM-GPW7140 | 0702. 3 | FM-GPW7539 | 0202 | FM-GP7782B | 0801 |
| FM-GPW7141 | 0702. 3 | FM-GPW7545 | 0202 | FM-GP7782C | 0801 |
| FM-GPW7143 | 0702. 3 | FM-GPW7549 | 0201 | CB-7783 | 0609. 1 |
| FM-GPW7143A | 0702. 3 | FM-GPW7550 | 0201 | FM-GP7783 | 0802. 3 |
| FM-GPW7155 | 0702. 3 | FM-GPW7561 | 0202 | FM-GP7784 | 0802. 3 |
| WO-A7191 | 0304 | FM-GPW7562 | 0202 | FM-GPW7786 | 0804 |
| FM-GPW7204 | 0704 | FM-GPW7563 | 0201 | FM-GP7787 | 0804 |
| FM-GPW7206 | 0704 | FM-GPW7565 | 0201 | WO-7787 | 1102 |
| FM-GPW7207 | 0704 | FM-GPW7566 | 0201 | FM-GP7788 | 0804 |
| FM-GPW7208 | 0704 | FM-GPW7567 | 0201 | FM-GP7789 | 0804 |
| FM-GPW7210 | 0704 | WO-A7568 | 0102 | WO-A7792 | 0605 |
| FM-GPW7210A | 0704 | LO-FD7568 | 1204. 2 | FM-GPW7793 | 0804 |
| FM-GPW7211B | 0704 | FM-GPW7570 | 0201 | WO-A7795 | 0602. 1 |
| FM-GP7213 | {0704 | FM-GPW7572 | 0201 | WO-A7796 | {0602. 1 |
| | {0804 | FM-GPW7577 | 0201 | | {0602. 3 |
| FM-GPW7214 | 0704 | FM-GPW7590 | 0201 | FM-GP7796 | 0804 |
| FM-GPW7216 | 0704 | FM-GPW7591 | 0201 | WO-A7797 | {0602. 1 |
| FM-GPW7217 | 0704 | WO-A7596 | 0700 | | {0602. 3 |
| FM-BB7220 | 0704 | FM-GPW7600 | 0201 | WO-A7798 | 0602. 1 |
| FM-GPW7221 | 0704 | FM-GPW7700 | 0800 | WO-A7799 | 0602. 1 |
| FM-GPW7223 | 0704 | FM-GPW7700B | 0800 | FM-GP7799 | 0804 |
| WO-A7225 | 0603 | FM-GPW7704 | 0800 | WO-A7800 | 0602. 1 |
| FM-GPW7227 | 0704 | FM-GPW7704B | 0800 | WO-A7801 | 0602. 1 |
| FM-BB7228 | 0704 | FM-GPW7705 | 0801 | WO-A7804 | 0602. 1 |
| FM-GPW7230 | 0704 | FM-GPW7706 | 0801 | AL-EB7806 | 0603 |
| FM-GPW7231 | 0704 | FM-GPW7707 | 0801 | WO-A7806 | 0602. 1 |
| WO-A7233 | 0104. 1 | FM-GP7708 | 0801 | AL-EB8707 | 0603 |
| FM-GPW7233 | 0804 | FM-GP7709 | 0801 | WO-A7807 | 0602. 1 |
| WO-A7234 | 0104. 1 | FM-GPW7710 | 0804 | WO-A7808 | 0602. 1 |
| FM-GPW7234 | 0704 | FM-GPW7711 | 0804 | WO-A7809 | 0602. 1 |
| WO-A7235 | 0104. 1 | FM-GP7712 | 0804 | AL-EB7819S | 0603 |
| WO-A7236 | 0104. 1 | FM-GP7722 | 0802. 1 | WO-A7824 | 0613. 1 |
| WO-A7238 | 0106. 6 | FM-GPW7726 | 0802. 3 | WO-A7825 | 0613. 1 |
| FM-GPW7240 | 0704 | FM-GP7729 | 0900 | WO-A7826 | 0615 |
| FM-GPW7241 | 0704 | FM-GP7733 | {0802. 3 | WO-A7848 | 0615 |
| FM-GPW7245 | 0704 | | {0900 | WO-A7850 | 0309 |
| WO-A7260 | 0704 | FM-GPW7736 | 0802. 3 | FM-GPW8005 | 0501 |
| WO-A7261 | 0704 | FM-GP7742 | 0802. 2 | FM-GPW8005A | 0501 |
| WO-A7280 | 0106. 6 | FM-GP7743 | 0802. 2 | CB-8010 | 0609. 1 |
| LO-FD7379 | 1204. 2 | FM-GP7744 | 0802. 2 | WO-A8010 | 0615 |
| SP-7450 | 0804 | FM-GP7746 | 0802. 3 | FO-HA8031 | 0306 |
| WO-A7498 | 0100 | FM-GP7747 | 0802. 3 | WO-A8087 | 0617 |
| WO-A7503 | 0103 | FM-GP7754 | 0806. 5 | WO-A8088 | 0617 |
| FM-GPW7503 | 0202 | FM-GPW7756 | 0801 | FM-GPW8100A | 0501 |
| FM-GPW7509 | 0202 | FM-GP7761 | 0802. 3 | WO-A8101 | 0401 |
| FM-GPW7512 | 0202 | FM-GP7762 | 0802. 3 | FM-GPW8125A | 0501 |
| FM-GPW7514 | 0202 | FM-GP7763 | 0802. 3 | WO-A8125 | 2208. 1 |
| FM-GPW7515 | 0202 | FM-GP7765 | 0802. 3 | WO-A8126 | 2208. 1 |
| FM-GPW7516 | 0202 | FM-GP7766 | 0802. 3 | WO-A8127 | 2208. 1 |
| FM-GPW7517 | 0202 | FM-GP7767 | 0802. 2 | WO-A8130 | 0607 |
| WO-A7517 | 0312 | FM-GPW7768 | 0801 | WO-A8131 | 0607 |
| WO-A7518 | 0312 | FM-GPW7768B | 0801 | WO-A8132 | 0607 |
| FM-GPW7518 | 0701 | FM-GPW7769 | 0801 | FM-GPW8133 | 0501 |
| FM-GPW7520 | 0202 | FM-GP7771 | 0802. 3 | AL-8X137 | 0602. 1 |

ORDNANCE AND MANUFACTURERS' PART NUMBER INDEX—Continued

| NUMBER | GROUP | NUMBER | GROUP | NUMBER | GROUP |
|-------------|---------|--------------|---------|-------------|---------|
| FM-GPW8155 | 1804 | WO-A8440 | 0202 | WO-A8997 | 0602. 1 |
| FM-GPW8166 | 1804 | WG-T84-42 | 0704 | SP-8997SF | 0900 |
| WO-8180 | 2208. 1 | WG-T84G48 | 0702. 3 | FM-GPW9001 | 0306 |
| WO-A8184 | 0607 | WG-T84J50-A | 0802. 1 | FM-GPW9002A | 0306 |
| WO-A8186 | 0607 | WG-T84J54 | 0702. 1 | FM-GPW9002B | 0306 |
| WO-A8188 | 0607 | WO-A8463 | 1601 | FM-GPW9002C | 0306 |
| WO-A8190 | 0607 | WO-A8477 | 1204. 1 | FM-GPW9030 | 0306 |
| FM-GPW8222 | 1804 | TRI-848-1 | 2202. 2 | FM-GPW9030A | 0306 |
| FM-GPW8240 | 0102 | WG-T8485A | 0702. 3 | FM-GPW9030B | 0306 |
| WO-A8242 | 2208. 1 | TRI-848-5 | 2202. 2 | FM-GPW9034A | 0306 |
| WO-A8249 | 1401 | WO-T84J86A | 0804 | FM-GPW9035B | 0306 |
| FM-GPW8250 | 0503 | WO-A8498 | 0602. 1 | WO-A9042 | 0602. 1 |
| WO-A8250 | 1401 | FM-GPW8501 | 0504 | WO-A9043 | 0602. 1 |
| WO-A8252 | 1401 | LO-FC8502 | 1204. 3 | WO-A9044 | 0602. 1 |
| WO-A8253 | 1204. 1 | AL-EB8503 | 0603 | WO-A9046 | 0602. 1 |
| FM-GPW8255 | 0503 | FM-GPW8505 | 0504 | WO-A9047 | 0602. 1 |
| WO-A8255 | 1601. 1 | AL-EB8505 | 0603 | WO-A9048 | 0602. 1 |
| WO-A8256 | 1601. 1 | AL-EB8506 | 0603 | WO-A9049 | 0602. 1 |
| FM-GPW8260 | 0503 | AL-EB8507 | 0603 | WO-A9050 | 0602. 1 |
| FM-IGT8260 | 0503 | FM-GPW8509A | 0505 | FM-GPW9051 | 0306 |
| FM-GPW8269 | 0503 | FM-GPWS8509 | 0505 | FM-GPW9051B | 0306 |
| FM-GPW8284 | 0503 | FM-GPW8512 | 0504 | WO-A9051 | 0602. 1 |
| FM-GPW8285 | 0503 | CB-8523 | 0609. 1 | WO-A9052 | 0602. 1 |
| FM-GPW8286 | 0503 | FM-GPW8524 | 0504 | WO-A9053 | 0602. 1 |
| WO-A8289 | 1601. 1 | FM-GPW8524A | 0504 | WO-A9054 | 0602. 1 |
| FM-GPW8290 | 0503 | FM-GPW8543 | 0504 | | 0602. 3 |
| WO-A8291 | 1601. 1 | FM-GPW8548 | 0504 | FM-GPW9057 | 0306 |
| FM-GPW8307 | 2101 | LO-FC8553 | 1204. 3 | FM-GPW9062 | 0306 |
| WO-A8322 | 0602. 1 | FM-GPW8557A | 0504 | FM-GPW9063 | 0306 |
| WO-A8323 | 0302 | FM-GPW8557 | 0504 | FM-GPW9065 | 0306 |
| FM-GPW8348 | 2101 | WO-A8558 | 0101 | FM-GPW9065B | 0306 |
| FM-GPW8349 | 2101 | FM-GPW8572B | 0504 | FM-GPW9066 | 0306 |
| WG-AT84F10A | 0702. 3 | FM-GPW8575 | 0503 | FM-GPW9069 | 0306 |
| WG-T84F11A | 0702. 2 | FM-GPW8576 | 0504 | FM-GPW9071 | 0306 |
| WG-T84F12A | 0702. 2 | FM-GPW8578 | 0503 | FM-GPW9074 | 0306 |
| WG-C84B12A | 0704 | WO-A8578 | 1601. 1 | FM-GPW9075 | 0306 |
| WG-T84F13 | 0702. 2 | FM-GPW8600 | 0505 | WO-A9075 | 0604 |
| WG-T84F14 | 0702. 2 | FM-GPWS8620A | 0505 | WO-A9077 | 0801 |
| WG-AT84J15A | 0702. 1 | AL-EB8705 | 0603 | FM-GPW9078 | 0306 |
| WG-T84F15 | 0702. 2 | AL-EB8734 | 0603 | FM-GPW9079 | 0306 |
| WG-T84J16A | 0702. 1 | LO-FC8778 | 1204. 2 | WO-A9082 | 0401. 1 |
| WG-T8417 | 0762. 1 | LO-FC8779 | 1204. 2 | FM-GPW9082A | 1805 |
| WG-T84C19 | 0702. 2 | LO-FC8782 | 1204. 2 | FM-GPW9083A | 1805 |
| WG-T84J20A | 0704 | WO-A8834 | 0312 | WO-A9084 | 0401. 1 |
| WG-T84J21 | 0704 | WO-A8835 | 0802. 3 | FM-GPW9084 | 1805 |
| WG-T84-22 | 0704 | WO-A8836 | 1006 | FM-GPW9085A | 1805 |
| WG-T84C23A | 0704 | WO-A8837 | 1006 | WO-A9086 | 0401. 1 |
| WG-T84C24A | 0704 | WO-A8838 | 1401. 1 | WO-A9090A | 0401. 1 |
| WG-T84G25 | 0702. 2 | WO-A8841 | 0802. 3 | FM-GPW9095 | 0306 |
| WG-T84B25 | 0704 | WO-A8842 | 0601. 1 | FM-GPW9140 | 0309 |
| WG-AT84J25 | 0704 | WO-A8847 | 1201. 2 | FM-GPW9140A | 0309 |
| WG-T84G26 | 0702. 2 | WO-A8848 | 1201. 2 | WO-A9142A | 0401. 1 |
| WG-T84J28 | 0702. 3 | WO-A8858 | 1501 | WO-A9144 | 0613. 1 |
| WG-T84-29 | 0702. 3 | WO-A8859 | 0800 | FM-GPW9149 | 0309 |
| WG-T84J29 | 0702. 3 | WO-A8860 | 1201. 2 | WO-A9150B | 0401. 1 |
| WG-T84B30A | 0702. 3 | WO-A8883 | 0615 | FM-GPW9155 | 0309 |
| WG-T84-30 | 0704 | WO-A8884 | 0615 | FM-GPW9155A | 0309 |
| WG-T84J31 | 0702. 3 | AL-8X888 | 0602. 3 | FM-GPW9155B | 0309 |
| WG-T84-31 | 0704 | WO-A8898 | 1202 | FM-GPW9160 | 0309 |
| WG-T84B32 | 0704 | WO-A8977 | 0702. 3 | FM-GPW9162 | 0309 |
| WG-T84G35 | 0702. 3 | SP-8996SF | 0900 | FM-GPW9182 | 0309 |

ORDNANCE AND MANUFACTURERS' PART NUMBER INDEX—Continued

| NUMBER | GROUP | NUMBER | GROUP | NUMBER | GROUP |
|-------------|---------|-------------|---------|-------------|-------|
| FM-GPW9183 | 0309 | FM-GPW9388 | 0302 | FM-GPW9579 | 0301 |
| FM-GPW9184 | 0309 | FM-GPW9396B | 0302 | FM-GPW9581 | 0301 |
| FM-GPW9186 | 0309 | FM-GPW9398 | 0302 | FM-GPW9583 | 0301 |
| FM-GPW9211 | 0306 | FM-GPW9398B | 0302 | FM-GPW9585 | 0301 |
| CB-9212 | 0609. 1 | FM-GPW9399 | 0302 | FM-GPW9586 | 0301 |
| WO-A9220 | 0613. 1 | FM-GPW9410B | 0108 | FM-GPW9587 | 0301 |
| FM-GPW9237 | 0306 | FM-GPW9417 | 0302 | FM-GPW9588 | 0301 |
| FM-GPW9237B | 0306 | FM-GPW9424 | 0108 | FM-GPW9594 | 0301 |
| FM-GPW9267 | 0306 | FM-GPW9424B | 0108 | FM-GPW9595 | 0301 |
| FM-GPW9267A | 0306 | FM-GPW9426 | 0108 | FM-GPW9598 | 0301 |
| FM-GPW9269 | 0306 | FM-GPW9428 | 0108 | FM-GPW9599 | 0301 |
| FM-GPW9273 | 0607 | FM-GPW9435 | 0108 | FM-GPW9608 | 0301 |
| FM-GPW9275 | 0306 | FM-GPW9443 | 0108 | FM-GPW9609 | 0304 |
| FM-GPW9275A | 0306 | FM-GPW9445 | 0301 | FM-GPW9610 | 0301 |
| FM-GPW9276 | 0306 | FM-GPW9447 | 0301 | FM-GPW9612 | 0304 |
| CB-9276 | 0609. 1 | FM-GPW9448 | 0108 | FM-GPW9614 | 0301 |
| FM-GPW9280 | 0607 | FM-GPW9450 | 0401 | FM-GPW9615 | 0301 |
| CB-9281 | 0609. 1 | FM-GPW9456 | 0108 | FM-GPW9617 | 0304 |
| FM-GPW9282 | 0306 | FM-GPW9458 | 0108 | FM-GPW9618 | 0304 |
| FM-GPW9288 | 0306 | FM-GPW9460 | 0108 | FM-GPW9621 | 0304 |
| AL-9288A | 0607 | FM-GPW9462 | 0108 | FM-GPW9623 | 3004 |
| FM-GPW9289 | 0306 | FM-GPW9463 | 0108 | FM-GPW9624 | 0301 |
| FM-GPW9295 | 0306 | FM-GPW9465 | 0108 | FM-GPW9625 | 0304 |
| | 0613. 1 | FM-GPW9467 | 0108 | FM-GPW9627 | 0304 |
| WO-A9307 | 0604. 1 | FM-GPW9467A | 0108 | FM-GPW9628 | 0304 |
| WO-A9308 | 0604. 1 | FM-GPW9468 | 0302 | FM-GPW9629 | 0304 |
| WO-A9309 | 0604. 1 | FM-GPW9469 | 0302 | FM-GPW9631 | 0301 |
| WO-A9310 | 0604. 1 | FM-GPW9484 | 0108 | FM-GPW9632 | 0304 |
| WO-A9311 | 0604. 1 | WO-A9492 | 0601. 1 | FM-GPW9633 | 0304 |
| WO-A9312 | 0604. 1 | FM-GPW9510 | 0301 | FM-GPW9636 | 0301 |
| WO-A9313 | 0604. 1 | FM-GPW9515 | 0301 | FM-GPW9637B | 0304 |
| WO-A9314 | 0604. 1 | FM-GPW9516 | 0301 | FM-GPW9637 | 0304 |
| FM-GPW9316 | 0106. 6 | FM-GPW9518 | 0301 | FM-GPW9637A | 0304 |
| WO-A9316 | 0604. 1 | FM-GPW9519 | 0301 | FM-GPW9647 | 0304 |
| WO-A9317 | 0604. 1 | FM-GPW9520 | 0301 | FM-GPW9650 | 0301 |
| WO-A9318 | 0604. 1 | FM-GPW9522 | 0301 | FM-GPW9652 | 0304 |
| FM-GPW9319A | 0607 | FM-GPW9523 | 0301 | FM-GPW9652B | 0304 |
| FM-GPW9323 | 0106. 6 | FM-GPW9526 | 0301 | FM-GPW9653 | 0304 |
| WO-A9330 | 0801 | FM-GPW9527 | 0301 | CI-9654 | 0608 |
| WO-A9331 | 0801 | FM-GPW9528 | 0301 | FM-GPW9656 | 0304 |
| WO-A9332 | 1201. 2 | FM-GPW9529 | 0301 | FM-GPW9657 | 0304 |
| WO-A9333 | 1201. 2 | FM-GPW9531 | 0301 | FM-GPW9658 | 0304 |
| WO-A9334 | 0801 | FM-GPW9533 | 0301 | FM-GPW9686 | 0304 |
| WO-A9336 | 0801 | FM-GPW9541 | 0301 | FM-GPW9686A | 0304 |
| WO-A9337 | 0801 | FM-GPW9543 | 0301 | FM-GPW9686B | 0304 |
| WO-A9338 | 1201. 2 | FM-GPW9544 | 0301 | FM-GPW9696 | 0301 |
| WO-A9339 | 1201. 2 | FM-GPW9546 | 0301 | FM-GPW9700 | 0312 |
| FM-GPW9350 | 0302 | FM-GPW9549 | 0301 | FM-GPW9711 | 0312 |
| FM-GPW9350B | 0302 | FM-GPW9550 | 0301 | SP-97Q13 | 0804 |
| FM-GPW9354 | 0302 | FM-GPW9554 | 0301 | FM-GPW9716 | 0312 |
| FM-GPW9355 | 0302 | FM-GPW9558 | 0301 | FM-GPW9719 | 0312 |
| FM-GPW9364 | 0302 | FM-GPW9562 | 0301 | FM-GPW9726 | 0312 |
| FM-GPW9365 | 0302 | FM-GPW9566 | 0301 | FM-GPW9727 | 0312 |
| FM-GPW9369 | 0306 | SPW-B9567 | 0611 | FM-GPW9728 | 0312 |
| FM-GPW9373 | 0302 | FM-GPW9567 | 0301 | FM-GPW9730 | 0312 |
| FM-GPW9377 | 0302 | FM-GPW9569 | 0301 | FM-GPW9731B | 0312 |
| FM-GPW9378 | 0302 | FM-GPW9570 | 0301 | FM-GPW9735A | 0312 |
| FM-GPW9380 | 0302 | FM-GPW9574 | 0301 | FM-GPW9735B | 0312 |
| FM-INC9381 | 0302 | FM-GPW9575 | 0301 | FM-GPW9737 | 0312 |
| FM-GPW9386 | 0302 | FM-GPW9576 | 0301 | FM-GPW9739 | 0312 |
| FM-GPW9387 | 0302 | FM-GPW9578 | 0301 | FM-GPW9742 | 0312 |

ORDNANCE AND MANUFACTURERS' PART NUMBER INDEX—Continued

| NUMBER | GROUP | NUMBER | GROUP | NUMBER | GROUP |
|---------------|--------------|---------------|--------------|----------------|--------------|
| FM-GPW9745 | 0312 | FM-GPW10153A | 0601. 1 | FM-GPW10523 | {0602. 1 |
| FM-GPW9751 | 0312 | FM-GPW10155 | 0601. 1 | FM-GPW10528 | 0602. 3 |
| FM-GPW9752 | 0312 | FM-GPW10162 | 0601. 1 | FM-GPW10532 | {0602. 1 |
| FM-GPW9775 | 0312 | FM-GPW10166 | 0601. 1 | FM-GPW10536 | 0602. 3 |
| FM-GPW9775B | 0312 | FM-GPW10175 | 0601. 1 | FM-GPA10536 | 0602. 3 |
| FM-GPW9778 | 0312 | FM-GPW10176 | 0601. 1 | FM-GPW10540 | {0602. 1 |
| FM-GPW9797 | 0312 | FM-GPW10177 | 0601. 1 | FM-GPW10540 | 0602. 3 |
| FM-GPW9799 | 0312 | FM-GPW10178A | 0601. 1 | SPW-B10540 | 0611 |
| AL-9799A | 0607 | FM-GPW10191 | 0601. 1 | FM-GPW10544 | {0602. 1 |
| FM-GPW9905 | 0301 | FM-GPW10192 | 0601. 1 | FM-GPW10551 | 0602. 3 |
| FM-GPW9906 | 0301 | WO-A10199 | 0401 | FM-GPW10551 | 0602. 1 |
| FM-GPW9907 | 0301 | FM-GPW10202A | 0601. 1 | FM-GPA10551 | 0602. 3 |
| FM-GPW9914 | 0301 | FM-GPW10202C | 0601. 1 | FM-GPW10554 | {0602. 1 |
| FM-GPW9922 | 0301 | FM-GPW10208B | 0601. 1 | FM-GPW10564 | 0602. 1 |
| FM-GPW9926 | 0301 | FM-GPW10208A | 0601. 1 | FM-GPW10570 | 0602. 3 |
| FM-GPW9928 | 0301 | FM-GPW10211A | 0601. 1 | FM-GPA10570 | 0602. 3 |
| FM-GPW9930 | 0301 | FM-GPW10211B | 0601. 1 | FM-GPW10577 | {0602. 1 |
| FM-GPW9935 | 0301 | FM-GPW10212 | 0601. 1 | FM-GPW10594 | 0602. 1 |
| FM-GPW9940 | 0301 | FM-GPW10214 | 0601. 1 | FM-GPA10594A | 0602. 3 |
| AL-9979A | 0306 | FM-GPW10216 | 0601. 1 | FM-GPA10594B | 0602. 3 |
| FM-GPW10000 | 0601. 1 | FM-GPW10218 | 0601. 1 | FM-GPW10594 | 0602. 3 |
| FM-GPW10000A | 0601. 1 | WO-A10231 | {1001 | FM-GPW10623 | 0602. 1 |
| FM-GPW10005 | 0601. 1 | WO-A10269 | 1100 | FM-GPW10636 | {0502. 1 |
| FM-GPW10005B | 0601. 1 | WO-A10276 | 0202 | MAE-10639B | 0602. 3 |
| AL-10014A | 0607 | WO-A10277 | 0604. 1 | MAE-10640B | 1604 |
| FM-GPW10035 | 0601. 1 | WO-A10278 | 0604. 1 | BX-1067S3 | 1202 |
| FM-GPW10041 | 0601. 1 | WO-A10279 | 0604. 1 | BX-1067S4 | 1202 |
| WO-A10047 | 0604. 1 | WO-A10280 | 0604. 1 | FM-GPW10850 | 0607 |
| WO-A10048 | 0601. 1 | WO-A10291 | 0601. 1 | FM-GPW10850B | 0607 |
| FM-GPW10050 | 0601. 1 | WO-A10292 | 0601. 1 | MAE-10855 | 1604 |
| WO-A10052 | 1201. 2 | WO-A10293 | 0601. 1 | MAE-10875 | 1604 |
| FM-GPW10055 | 0601. 1 | WO-A10295 | 0601. 1 | MAE-10876A | 1604 |
| FM-GPW10057 | 0601. 1 | AL-10310A | 0607 | FM-GPW10883 | 0607 |
| FM-GPW10061 | 0601. 1 | AL-10311A | 0607 | MAE-10906A | 1604 |
| AL-10063 | 0607 | AL-10312 | 0607 | MAE-10950 | 1604 |
| FM-GPW10069 | 0601. 1 | AL-10313A | 0607 | MAE-10966 | 1604 |
| AL-10075A | 0607 | WO-A10320 | 1201. 2 | FM-GPW11001 | 0603 |
| FM-GPW10082 | 0601. 1 | WO-A10324 | 1201. 2 | FM-GPW11001A | 0603 |
| FM-GPW10084 | 0603 | WO-A10329 | 1201. 2 | AL-IAD1100LB-1 | 0604. 1 |
| FM-GPW10086 | 0601. 1 | WO-A10330 | 1201. 2 | FM-GPW11002 | 0603 |
| FM-GPW10087 | 0601. 1 | WO-A10331 | 1201. 2 | FM-GPW11005 | 0603 |
| FM-GPW10098 | 0601. 1 | WO-A10332 | 1201. 2 | FM-GPW11049 | 0603 |
| FM-GPW10100 | 0601. 1 | WO-A10333 | 1201. 2 | FM-GPW11053 | 0603 |
| FM-GPW10104 | 0601. 1 | WO-A10334 | 1201. 2 | FM-GPW11055 | 0603 |
| FM-GPW10105 | 0601. 1 | WO-A10335 | 1201. 2 | FM-GPW11056 | 0603 |
| FM-GPW10112 | 0601. 1 | WO-A10336 | 1201. 2 | FM-B11059 | 0603 |
| FM-GPW10116 | 0601. 1 | WO-A10337 | 1201. 2 | FM-GPW11061 | 0603 |
| FM-GPW10118 | 0601. 1 | WO-A10338 | 1201. 2 | FM-GPW11077 | 0603 |
| FM-GPW10119B | 0601. 1 | CB-10436 | 0609. 1 | FM-GPW11082 | 0603 |
| FM-GPW10119 | 0601. 1 | FM-GPW10455 | 0602. 1 | FM-GPW11083 | 0603 |
| FM-GPW10120 | 0601. 1 | FM-GPA10455 | 0602. 3 | FM-GPW11085 | 0603 |
| FM-GPW10121 | 0601. 1 | CB-10461 | 0609. 1 | FM-GPW11089 | 0603 |
| FM-GPW10122 | 0601. 1 | CB-10462 | 0609. 1 | FM-GPW11090 | 0603 |
| FM-GPW10128 | 0601. 1 | FM-GPW10502 | 0602. 3 | FM-GPW11094 | 0603 |
| FM-GPW10129B | 0601. 1 | FM-GPA10505 | 0602. 3 | FM-GPW11095 | 0603 |
| FM-GPW10130 | 0601. 1 | FM-GPW10505 | 0602. 1 | FM-GPW11102 | 0603 |
| FM-GPW10138 | 0601. 1 | FM-GPW10505C | 0602. 1 | | |
| FM-GPW10139 | 0601. 1 | CAR-105-13 | 0301 | | |
| FM-GPW10142 | 0601. 1 | FM-GPW10519A | 0602. 3 | | |
| FM-GPW10143 | 0601. 1 | FM-GPW10519B | 0602. 3 | | |
| FM-GPW10147 | 0601. 1 | | | | |

ORDNANCE AND MANUFACTURERS' PART NUMBER INDEX—Continued

| NUMBER | GROUP | NUMBER | GROUP | NUMBER | GROUP |
|--------------|---------|--------------|---------|--------------|---------|
| FM-GPW11103 | 0603 | WO-A11868 | 0608 | FM-GPW12178 | 0604. 1 |
| CAR-11B105 | 0301 | WO-A11869 | 0608 | FM-GPW12182 | 0604. 1 |
| FM-GPW11107 | 0603 | WO-A11871 | 0608 | FM-GPW12188B | 0604. 1 |
| CAR-11B108 | 0301 | WO-A11940 | 1808 | FM-GPW12188 | 0604. 1 |
| FM-GPW11120 | 0603 | WO-A11942 | 1808 | FM-GPW12191 | 0604. 1 |
| WO-A11121 | 0501 | WO-A11944 | 1808 | AL-12X193 | 0601. 1 |
| BB-11123 | 0201 | WO-A11945 | 1808 | FM-GPW12193 | 0604. 1 |
| CAR-11B125S | 0301 | WO-A11946 | 1808 | FM-GPW12195 | 0604. 1 |
| CAR-11B127S | 0301 | FM-GPA12000 | 0605 | FM-GPW12200 | 0604. 1 |
| CAR-11B129S | 0301 | FM-GPW12000 | 0605 | FM-GPW12217 | 0604. 1 |
| FM-GPW11130 | 0603 | FM-GPW12000B | 0605 | FM-GPW12218 | 0604. 1 |
| FM-GPW11131 | 0603 | WO-A12003 | 1805 | WO-12233 | 1800 |
| FM-GPW11134 | 0603 | FM-GPW12006 | 0605 | WO-A12237 | 1800 |
| FM-GPW11140 | 0603 | FM-GPW12010 | 0604. 1 | CAR-122-47S | 0301 |
| FM-GPW11155 | 0603 | FM-GPW12010B | 0604. 1 | FM-GPW12250E | 0608 |
| CAR-11B164 | 0301 | WO-A12010 | 1804 | FM-GPW12250B | 0608 |
| WO-A11176 | 0501 | FM-GPW12011 | 0604. 1 | FM-GPW12250A | 0608 |
| CAR-11-180S | 0301 | WO-A12011 | 1804 | FM-GPW12250C | 0608 |
| CAR-11-186S | 0301 | FM-GPW12012 | 0604. 1 | FM-GPW12250D | 0608 |
| CB-11200 | 0609. 1 | WO-A12017 | 1805 | CAR-12-255 | 0301 |
| WO-A11319 | 1808 | WO-A12023 | 1804 | CAR-122-64S | 0301 |
| FM-GPW11350 | 0603 | WO-A12024 | 1804 | FM-GPW12267 | 0604. 1 |
| FM-GPW11354 | 0603 | WO-A12025 | 1804 | FM-GPW12283 | 0605 |
| FM-B11357A | 0603 | FM-GPW12030 | 0605 | FM-GPW12284 | 0605 |
| FM-B11371 | 0603 | WO-A12054 | 1805 | FM-GPW12286 | 0605 |
| FM-GPW11375 | 0603 | WO-A12055 | 1805 | FM-GPW12287 | 0605 |
| FM-GPW11377 | 0603 | WO-A12056 | 0608 | FM-GPW12298B | 0605 |
| FM-GPW11378 | 0603 | FM-GPW12064 | 0605 | FM-GPW12300 | 0604. 1 |
| FM-B11379 | 0603 | FM-GPW12082 | 0604. 1 | CAR-12323 | 0301 |
| FM-B11381 | 0603 | FM-GPW12083 | 0604. 1 | WO-A12400 | 1806 |
| FM-GPW11382 | 0603 | FM-GPW12084 | 0604. 1 | FM-B12410 | 0106. 6 |
| FM-GPW11394 | 0603 | FM-GPW12084B | 0604. 1 | MAE-11488 | 1604 |
| BX-1141S1 | 1202 | FM-GPW12091A | 0605 | MAE-12449 | 1604 |
| BX-1141S2 | 1202 | FM-GPW12094 | 0604. 1 | MAE-12463 | 1604 |
| CAR-114-21S | 0301 | FM-GPW12095 | 0604. 1 | MAE-12464 | 1604 |
| WO-A11432 | 2202. 1 | FM-GPW12100 | 0604. 1 | MAE-12468 | 1604 |
| WO-A11433 | 2202. 1 | FM-GPW12100B | 0604. 1 | MAE-12469 | 1604 |
| FM-GPW11450 | 0603 | WO-A12105 | 1804 | MAE-12507 | 1604 |
| MAE-11465 | 1604 | FM-GPW12106 | 0604. 1 | FM-01-T2616 | 1201. 1 |
| MAE-11466 | 1604 | FM-GPW12106B | 0604. 1 | MAE-12620 | 1604 |
| FM-GPW11474 | 0312 | FM-GPW12120 | 0604. 1 | MAE-12621 | 1604 |
| FM-GPW11495 | 0312 | FM-GPW12133 | 0604. 1 | MAE-12622 | 1604 |
| CB-11495 | 0609. 1 | FM-GPW12139B | 0604. 1 | MAE-12623 | 1604 |
| CB-11500 | 0609. 1 | FM-GPW12139 | 0604. 1 | MAE-12626 | 1604 |
| CB-11503 | 0609. 1 | FM-GPW12144 | 0604. 1 | MAE-12627 | 1604 |
| FM-GPW11514A | 1805 | FM-GPW12151 | 0604. 1 | MAE-12628 | 1604 |
| CAR-115-59 | 0301 | FM-GPW12151B | 0604. 1 | MAE-12629 | 1604 |
| WO-A11581 | 1808 | FM-GPW12155 | 0604. 1 | MAE-12631 | 1604 |
| WO-A11584 | 1808 | CAR-121-56 | 0301 | FM-01T2634 | 1201. 1 |
| WO-A11701 | 1504 | FM-GPW12157 | 0604. 1 | FM-01T2640 | 1201. 1 |
| WO-A11729 | 1806 | FM-GPW12163 | 0604. 1 | FM-01T2642 | 1201. 1 |
| WO-A11730 | 1806 | FM-GPW12165 | 0604. 1 | WO-A12721 | 1808 |
| WO-A11731 | 1806 | FM-GPW12166 | 0604. 1 | WO-A12751 | 2202. 2 |
| WO-A11732 | 1806 | CAR-121-73 | 0301 | WO-A12755 | 2202. 2 |
| WO-A11757 | 2210 | FM-GPW12174 | 0604. 1 | WO-A12756 | 1804 |
| CAR-117-58 | 0301 | FM-GPW12175 | 0604. 1 | WO-A12758 | 1804 |
| WO-A11766 | 0615 | FM-GPW12175B | 0604. 1 | WO-A12759 | 1804 |
| WO-A11768 | 0609. 1 | FM-GPW12176 | 0604. 1 | WO-A12760 | 1804 |
| WO-A11770 | 0609. 1 | FM-GPW12176B | 0604. 1 | WO-A12761 | 1804 |
| WO-A11866 | 0608 | FM-GPW12177 | 0604. 1 | FM-01T2805 | 1201. 1 |
| WO-A11867 | 0608 | FM-GPW12178B | 0604. 1 | TRI-128-16ZE | 2202. 2 |

ORDNANCE AND MANUFACTURERS' PART NUMBER INDEX—Continued

| NUMBER | GROUP | NUMBER | GROUP | NUMBER | GROUP |
|---------------|---------|--------------|---------|--------------|---------|
| CAR-129-15 | 0301 | FM-GPWS14407 | 0613. 1 | WO-A15728 | 1601 |
| FM-GPW13005A | 0609. 1 | FM-GPW14407A | 0613. 1 | WO-A15801 | 1204. 3 |
| FM-GPW13006A | 0609. 1 | FM-GPW14407C | 0613. 1 | WO-A15802 | 1204. 3 |
| FM-GPW13012 | 0609. 1 | FM-GPW14407B | 0613. 1 | WO-A15803 | 1204. 3 |
| FM-GPW13015 | 0609. 1 | FM-GPW14409 | 0613. 1 | WO-A15804 | 0608 |
| FM-GPW13020 | 0609. 1 | FM-GPW14416 | 0613. 1 | SP-15926 | 1002 |
| FM-GPW13022 | 0609. 1 | FM-GPW14425 | 0613. 1 | FM-GPW16005 | 1701 |
| FM-GPW13032 | 0609. 1 | FM-GPW14425B | 0613. 1 | FM-GPW16006 | 1701 |
| FM-GPW13043 | 0609. 1 | FM-GPW14431 | 0603 | SP-16067 | 1401 |
| FM-GPW13070 | 0609. 1 | FM-GPW14432 | 0613. 1 | SP-16075 | 1002 |
| FM-GPW13071 | 0609. 1 | FM-GPW14436 | 0609. 1 | FM-GPW16082 | 1701 |
| FM-GPW13075 | 0609. 1 | FM-GPW14446 | 0613. 1 | FM-GPW16083 | 1701 |
| FM-GPW13076 | 0609. 1 | FM-GPWS14447 | 0612 | FM-GPW16094 | 1701 |
| RG-T13086 | 1401. 1 | FM-GPW14448A | 0608 | FM-GPW16095 | 1701 |
| FM-GPW13150 | 0609. 1 | FM-GPW14448C | 0608 | FM-GPW16105 | 1701 |
| FM-GPW13150C | 0609. 1 | FM-GPW14448D | 0608 | FM-GPW16128 | 1701 |
| FM-GPW13170 | 0609. 1 | FM-GPA14450C | 0612 | FM-GPW16132 | 1701 |
| FM-GPW13174 | 0609. 1 | FM-GPA14451C | 0612 | FM-GPW16133 | 1701 |
| FM-GPW13175C | 0609. 1 | FM-GPW14456 | 0605 | FM-GPW16159 | 1701 |
| FM-GPW13176 | 2101 | FM-GPW14458 | 0613. 1 | SP-16383 | 1002 |
| FM-GPW13180 | 0609. 1 | FM-GPW14459 | 0613. 1 | SP-16385 | 1102 |
| FM-GPW13181 | 0613. 1 | FM-B14463 | 0605 | SP-16409 | 1001 |
| FM-GPW13200 | 0609. 1 | FM-GPW14465 | 0613. 1 | SP-16412X | 1002 |
| FM-GPW13201 | 0609. 1 | FM-B14466 | 0605 | FM-GPW16610 | 1703 |
| FM-GPW13209 | 0609. 1 | FM-GPW14471B | 0602. 3 | FM-GPW16684 | 1703 |
| FM-GPW13209B | 0609. 1 | FM-GPW14471D | 0603 | FM-GPW16802 | 1703 |
| FM-GPW13217 | 0609. 1 | FM-GPW14487B | 0613. 1 | FM-GTB16847 | 1703 |
| FM-GPW13408B | 0609. 1 | FM-GPW14487A | 0613. 1 | FM-GTB16849A | 1703 |
| FM-GPW13410 | 0609. 1 | FM-01Y4529 | 0900 | SP-16866 | 1002 |
| FM-GPW13434A | 0106. 2 | FM-GPW14560 | 0613. 1 | FM-GPW16892 | 1703 |
| | 0613. 1 | FM-GPW14561 | 0613. 1 | SP-16909X | 1002 |
| | 2202. 2 | FM-GPW14566 | 0613. 1 | SP-16968X | 1102 |
| | 2208. 1 | FM-GPW14585 | 0306 | SP-16976 | 1101 |
| FM-GPW13437A | 0613. 1 | CAR-146-95S | 0301 | SP-16979 | 1001 |
| SP-13439 | 1401 | TP-14SV89A7 | 1401 | SP-16983 | 1004 |
| SP-13449 | 1002 | TP-14SV90A7 | 1401 | SP-16991 | 1004 |
| | 1102 | CAR-150A10 | 0301 | SP-17003 | 1004 |
| FM-GPW13532 | 0608 | CAR-150-97 | 0301 | SP-17015 | 1311 |
| SP-13575 | 1002 | CAR-150-98 | 0301 | SP-17016 | 1311 |
| | 1102 | SP-15099 | 1002 | SP-17017 | 1311 |
| FM-GPW13710 | 0607 | WO-A15137 | 1201. 2 | SP-17019 | 1004 |
| FM-GTB13739 | 0608 | WO-A15149 | 1201. 2 | SP-17041 | 1004 |
| FM-GPW13802 | 0611 | WO-A15150 | 1201. 2 | SP-17046S | 1401 |
| FM-GPW13831 | 0611 | WO-A15255 | 0602. 1 | SP-17047X | 1401 |
| FM-GPW13836 | 0611 | WO-A15283 | 0104 | SP-17048X | 1004 |
| FM-GPW14171 | 0611 | WO-A15304 | 0609. 1 | FM-GPW17055 | 1804 |
| CAR-14-246S | 0301 | SP-15367 | 1002 | SP-17071 | 1312 |
| FM-GPW14300 | 0613. 1 | | 1102 | FM-01T7078A | 0900 |
| FM-GPWS14300B | 0613. 1 | WO-A15427 | 0702. 2 | FM-GPW17079 | 1804 |
| FM-GPWS14301 | 0612 | WO-A15428 | 0702. 2 | FM-01Y7083 | 0900 |
| FM-GPW14301 | 0612 | WO-A15485 | 0601. 1 | FM-C1Y7096 | 0900 |
| FM-GPW14303 | 0615 | WO-A15498 | 0401. 1 | | |
| FM-GPW14305D | 0613. 1 | WO-A15507 | 0306 | | |
| FM-GPW14305 | 0613. 1 | WO-A15596 | 0306 | | |
| FM-GPW14321 | 0605 | WO-A15598 | 0306 | | |
| FM-GPW14401D | 0613. 1 | | | | |
| FM-GPW14401F | 0613. 1 | | | | |
| FM-GPW14402A | 0613. 1 | | | | |
| FM-GPW14402 | 0613. 1 | | | | |
| FM-GPW14402B | 0613. 1 | | | | |
| FM-GPW14406 | 0613. 1 | | | | |

ORDNANCE AND MANUFACTURERS' PART NUMBER INDEX—Continued

| NUMBER | GROUP | NUMBER | GROUP | NUMBER | GROUP |
|--------------|----------|--------------|---------|--------------|----------|
| SP-17121X | 1006 | FM-GP17531 | 2202. 1 | FM-GPW18840 | 0615 |
| SP-17133X | 1004 | FM-GP17535 | 2202. 1 | FM-GPW18846 | {0613. 1 |
| SP-17135X | 1004 | FM-GPW17536 | 2202. 2 | | {0615 |
| WO-A17143 | 0603 | SW-17641 | 2208. 1 | FM-GPW18849 | 0615 |
| SP-17146 | 1102 | FM-GPW17750 | 2101 | FM-GPW18850 | 0615 |
| SP-17153 | 1006 | FM-GPW17751 | 2101 | FM-GPW18852 | 0615 |
| SP-17202X | 1004 | FM-17752 | 1501 | FM-GPW18853 | 0615 |
| SP-17205 | 1401 | FM-GPW17753 | 1501 | FM-GPW18854 | 0615 |
| SP-17210 | 1401 | FM-17754 | 1501 | FM-GPW18857 | 0615 |
| SP-17211 | 1401 | FM-GPW17755 | 1501 | FM-GPW18858 | 0615 |
| SP-17213 | 1401 | FM-GPW17759 | 1501 | FM-GPW18859 | 0615 |
| SP-17214 | 1401 | FM-GPW17775 | 2101 | FM-GPW18871 | 0615 |
| SP-17215 | 1401 | AL-IC17980D | 0605 | FM-GPW18872 | 0615 |
| SP-17216 | 1006 | FM-GPW18040 | 1501 | FM-GPW18873 | 0615 |
| SP-17218 | 1006 | FM-GPW18041 | 1501 | FM-GPW18874 | 0615 |
| SP-17221 | 1004 | FM-GPW18045 | 1604 | FM-GPW18876B | 0615 |
| SP-17222 | 1004 | FM-GPW18060 | 1604 | FM-GPW18876 | 0615 |
| SP-17224 | 1006 | FM-GPW18060A | 1604 | FM-GPW18935B | 0615 |
| SP-17226X | 1100 | FM-GPW18075 | 1501 | FM-GPW18935A | 0615 |
| SP-17229 | 1006 | FM-GPW18080 | 1604 | FM-GPW18936A | 0615 |
| SP-17230 | 1006 | SP-18-12-1 | 0804 | FM-GPW18937 | 0615 |
| SP-17231 | 1006 | SP-18-15-9 | 0801 | FM-GPW18937B | 0615 |
| SP-17233 | 1006 | SP-18-16-3 | 0801 | FM-GPW18938B | 0615 |
| WO-A17253 | 1201. 2 | SP-18-19-8 | 0801 | FM-GPW18960 | 0615 |
| WO-A17254 | 1201. 2 | FM-GPW18205B | 0304 | RG-020122 | 1401 1 |
| FM-GPW17255 | 2208. 1 | SP-18-24-1 | 0802. 3 | SP-2051-1 | 1100 |
| FM-GPW17255A | 2208. 1 | SP-18-24-4 | 1201. 2 | SP-2058-1 | 1000 |
| FM-GPW17260 | 2208. 1 | FM-GPW18288 | 0102 | SP-2058-2 | 1000 |
| FM-GPW17260A | 2208. 1 | FM-GPW18289 | 0103 | SP-2058-3 | 1000 |
| FM-GPW17261A | 2208. 1 | CAR-183-19 | 0301 | RG-021116 | 1401 1 |
| FM-GPW17262 | 2208. 1 | FM-GPW18330A | 0104. 1 | SP-K2-14-69 | 0900 |
| FM-GPW17271 | 0802. 5 | FM-GPW18330B | 0104. 1 | AL-21608 | 0607 |
| FM-GP17277 | 0802. 5 | FM-GPW18330C | 0104. 1 | SP-K2-16-53 | 0900 |
| | {0602. 1 | FM-GPW18330D | 0104. 1 | FM-GPW2206A2 | 1204. 2 |
| WO-A17282 | {0602. 3 | SPW-A18345 | 0611 | SP-K2-2-329 | 0900 |
| | {0603 | FM-GPW18347 | 0102. 1 | SP-22-72-5 | 0804 |
| FM-GP17285 | 0802. 5 | FM-GPW18348 | 0102. 1 | SP-K2-3-198X | 0900 |
| SP-17301X | 1004 | FM-GPW18349 | 0102. 1 | SP-K2-4-108X | 0900 |
| SP-17302X | 1004 | FM-GPW18350 | 0102. 1 | FM-24325S | 0201 |
| SP-17307 | 1401 | FM-GPW18354 | 0604. 1 | KHW-24566 | 1312 |
| SP-17308X | 1401 | FM-GPW18664A | 0106. 2 | KHW-24568 | 1311 |
| SP-17309X | 1401 | FM-GPW18660 | 0106. 2 | KHW-24569 | 1311 |
| SP-17310X | 1001 | SP-18-66-1 | 0804 | KHW-24575 | {1311 |
| WO-A17317 | 0304 | FM-GPW18662A | 0106. 2 | | {1504 |
| WO-A17318 | 0304 | FM-GPW18662B | 0106. 2 | KHW-24576 | 1311 |
| WO-A17333 | 0608 | FM-GPW18663 | 0106. 2 | KHW-24659 | 1312 |
| FM-GP17333 | 0802. 5 | FM-GPW18666 | 0106. 6 | RG-025060 | 1401 1 |
| FM-GPW17333 | 0802. 5 | FM-GPW18667 | 0106. 6 | SP-K2-5-198X | 0900 |
| | {0601. 1 | SP-18-66-7 | 0804 | KHW-25646 | 1312 |
| WO-A17337 | {0613. 1 | SP-18-67-2 | 0804 | KHW-25647 | 1312 |
| WO-A17344 | 2210 | FM-GPW18675 | 0106. 2 | KHW-25692 | 1311 |
| SP-17347 | 1401 | SP-18-675 | 0804 | KHW-25693 | 1311 |
| WO-17356X | 1006 | FM-GPW18675A | 0106. 2 | KHW-25695 | 1311 |
| WO-17357 | 1006 | FM-GPW18685 | 0106. 2 | KHW-25696 | 2210 |
| WO-17358 | 1006 | FM-GPW18685A | 0106. 2 | PU-25755 | 0106. 2 |
| WO-17359 | 1006 | FM-GPW18687 | 0106. 2 | PU-25756 | 0106. 2 |
| SP-17377 | 1102 | FM-GPW18687A | 0106. 2 | PU-25757 | 0106. 2 |
| FM-GP17500 | 2202. 1 | FM-GPW18688 | 0106. 2 | KHW-25779 | 1311 |
| FM-GPW17500 | 2202. 1 | FM-GPW18688A | 0106. 2 | PU-25791 | 0106. 2 |
| FM-GPW17526 | 2202. 1 | FM-GPW18691A | 0106. 2 | PU-25795 | 0106. 2 |
| FM-GP17528 | 2202. 1 | FM-GPW18825 | 0615 | PU-25802 | 0106. 2 |

ORDNANCE AND MANUFACTURERS' PART NUMBER INDEX—Continued

| NUMBER | GROUP | NUMBER | GROUP | NUMBER | GROUP |
|--------------|---------|--------------|----------|---------------------------------------|---------|
| KHW-25917 | 1311 | BX-47665 | 1201. 2 | CAR-61-171 | 0301 |
| SP-K2-6-181 | 0900 | BX-47667 | 1201. 2 | CAR-61-190 | 0301 |
| PU-26637 | 0106. 2 | BX-47668 | 1201. 2 | CAR-61-207 | 0301 |
| SP-K2-68-23 | 0900 | BX-47669 | 1201. 2 | CAR-61-272 | 0301 |
| RG-026988 | 1401. 1 | BX-47670 | 1201. 2 | CAR-62-134 | 0301 |
| PU-27078 | 0106. 2 | BX-47674 | 1201. 2 | CAR-62-135S | 0301 |
| SP-K2-76-17 | 0900 | BX-47675 | 1201. 2 | RG-063011 | 1401. 1 |
| RG-028093 | 1401. 1 | BX-47676 | 1201. 2 | RG-063012 | 1401. 1 |
| PU-28549 | 0106. 2 | BX-47677 | 1201. 2 | FM-63848S | 2202. 1 |
| RG-029046 | 0611 | BX-47678 | 1201. 2 | RG-063991 | 0611 |
| RG-029049 | 0611 | RG-051033 | 0611 | RG-063996 | 1401. 1 |
| SP-K2-94-29 | 0900 | RG-051035 | 0611 | FM-64647S | 1201. 1 |
| AL-IGP3028F3 | 0604. 1 | DM-51104 | {0605 | WO-71633 | {1701 |
| RG-032087 | 0611 | | {0608 | | {1806 |
| RG-033046 | 1401. 1 | AL-5X1376 | 0603 | D72450 | 1201. 2 |
| RG-033047 | 1401. 1 | WO-51561 | 1806 | FM-73869S | 1201. 2 |
| RG-033048 | 1401. 1 | WO-51823 | 2101 | FM-73880S | 0202 |
| FM-33249 | 1804 | WO-51875 | 0105. 1 | CAR-75-547 | 0301 |
| FM-33979S | 1201. 2 | WO-52220 | 1808 | RG-7698-4 ⁵ / ₈ | 1401. 1 |
| SP-SKA34172 | 1000 | WO-52236 | 1808 | D78296 | 1808 |
| FM-34753S | 0617 | DM-52692 | 0613. 1 | WO-A78932 | 0613. 1 |
| FM-34886S | 1806 | WO-52768 | {0612 | TRI-79513ZE | 2202. 2 |
| FM-35526S | 1004 | | {0613. 1 | TRI-80540 | 2202. 1 |
| FM-GPW3600A3 | 1401. 1 | WO-52835 | 1204. 1 | TRI-80545ZE | 2202. 2 |
| NP-38371 | 1006 | WO-52839 | 1204. 3 | TRI-80994ZE | 2202. 2 |
| NP-38372 | 1006 | WO-52840 | 1204. 3 | 8-E-1000 | 0106. 2 |
| NP-38373 | 1006 | WO-52845 | 1804 | AL-8X1055 | 0602. 1 |
| NP-38487 | 1006 | WO-52857 | 1804 | WG-T84-115 | 0704 |
| NP-38488 | 1006 | WO-52863 | 1804 | WG-T84H137 | 0702 |
| NP-38489 | 1006 | WO-52893 | 1805 | WG-T84D145C | 0700 |
| NP-38491 | 1006 | WO-52968 | 1806 | WG-T84A148 | 0704 |
| NP-38492 | 1006 | WO-52990 | 1806 | WG-T84J167 | 0702. 3 |
| SP-K3-86-89 | 0900 | WO-52993 | 0609. 1 | WO-A8463-1 | 1601 |
| BX-39953 | 1202 | WO-53025 | {1804 | WO-A8463-2 | 1601 |
| BX-39956 | 1202 | | {2101 | WO-A8463-3 | 1601 |
| KS-40333 | 2208. 1 | WO-53026 | 1805 | WO-A8463-4 | 1601 |
| KS-40350 | 2208. 1 | WO-53027 | 0501 | WO-A8463-5 | 1601 |
| KS-40355 | 2208. 1 | WO-53037 | 1808 | WO-A8463-6 | 1601 |
| LK-S-40936 | 0105. 4 | WO-53056 | 1808 | WO-A8463-7 | 1601 |
| D40974 | 1311 | WO-53057 | 1808 | WO-A8463-8 | 1601 |
| D40975 | 1311 | WO-53071 | 0609. 1 | WO-A8463-9 | 1601 |
| BX-41545 | 1202 | DM-53097A | 0608 | TRI-848-14 | 2202. 2 |
| BX-41807 | 1204. 2 | WO-53135 | 1805 | TRI-848-27 | 2202. 2 |
| BX-41876 | 1202 | CAR-53A168S | 0301 | FM-88032S | 0401 |
| WO-42759 | 1805 | DM-53170A | 0605 | FM-88042S | 0108 |
| 45-F-430 | 1601. 1 | WO-53194 | 2208. 1 | HI-88632 | 0505 |
| 45-F-451 | {0202 | WO-53243 | 2202. 1 | RG-092021 | 1401. 1 |
| | {0900 | CAR-53A251S | 0301 | FM-95626S | 2201 |
| FM-B45482C | 1804 | WO-53379 | 1201. 2 | FM-95627S | 2201 |
| BX-45771 | 1202 | WO-53384 | 0304 | FM-95628S | 2201 |
| BX-45908 | 1204. 2 | WO-53538 | 1201. 2 | FM-95633S | 2201 |
| BX-46491 | 1204. 2 | DM-53875A | 0608 | FM-95705S | 2201 |
| BX-47047 | 1202 | DM-53879 | 0608 | SP-98-851 | 0900 |
| BX-47048 | 1202 | AL-5934A3 | 0603 | FM-GPW10000A3 | 0601. 1 |
| BX-47050 | 1202 | FM-GPW6031A3 | 0105. 4 | CAR-101-121 | 0301 |
| BX-47051 | 1202 | FM-60375S | 1806 | CAR-101-142S | 0301 |
| BX-47054 | 1202 | FM-60470S | 2201 | CAR-101-150S | 0301 |
| BX-47656 | 1201. 2 | CAR-61-119 | 0301 | FM-GPW102026 | 0601. 1 |
| BX-47660 | 1201. 2 | CAR-61-128 | 0301 | FM-GPW105193 | 0602. 3 |
| BX-47661 | 1201. 2 | CAR-61-143 | 0301 | WO-106313 | 0601. 1 |
| BX-47662 | 1201. 2 | CAR-61-169 | 0301 | WO-106740 | 0604. 1 |

ORDNANCE AND MANUFACTURERS' PART NUMBER INDEX—Continued

| NUMBER | GROUP | NUMBER | GROUP | NUMBER | GROUP |
|---------------|---------|-----------|---------|--------------|---------|
| MAE-10849-6 | 1604 | WO-116172 | 0301 | WO-116541 | 0301 |
| WO-108515 | 0601. 1 | WO-116173 | 0301 | WO-116542 | 0301 |
| MAE-10856-8 | 1604 | WO-116174 | 0301 | WO-116544 | 0301 |
| MAE-10863-1 | 1604 | WO-116175 | 0301 | WO-116545 | 0301 |
| MAE-10863-2 | 1604 | WO-116176 | 0301 | WO-116549 | 1202 |
| WO-109173 | 0601. 1 | WO-116177 | 0301 | WO-116550 | 1202 |
| WO-109427 | 0603 | WO-116178 | 0301 | WO-116551 | 1202 |
| WO-109428 | 0603 | WO-116179 | 0301 | WO-116552 | 1202 |
| WO-109431 | 0603 | WO-116180 | 0301 | WO-116584 | 0301 |
| WO-109433 | 0603 | WO-116181 | 0301 | WO-116585 | 0301 |
| WO-109436 | 0603 | WO-116183 | 0301 | WO-116586 | 0301 |
| WO-109437 | 0603 | WO-116184 | 0301 | WO-116587 | 0301 |
| WO-109442 | 0603 | WO-116185 | 0301 | WO-116588 | 0301 |
| WO-109445 | 0603 | WO-116186 | 0301 | WO-116589 | 1601 |
| WO-109446 | 0603 | WO-116187 | 0301 | WO-116609 | 1601 |
| WO-109452 | 0603 | WO-116188 | 0301 | WO-116610 | 1601 |
| WEB-110110 | 0617 | WO-116189 | 0301 | WO-116616 | 0104 |
| FM-01A10193 | 0601. 1 | WO-116191 | 0301 | WO-116694 | 0302 |
| WEB-110242 | 0617 | WO-116194 | 0301 | WO-116701 | 0104 |
| FM-GPW110605 | 1808 | WO-116195 | 0301 | WO-116703 | 0104 |
| FM-GPW111089S | 1805 | WO-116197 | 0301 | WO-116704 | 0104 |
| WO-116616 | 0104 | WO-116198 | 0301 | WO-116705 | 0104 |
| WO-113460 | 0302 | WO-116199 | 0301 | WO-116711 | 1601 |
| WO-113461 | 0302 | WO-116202 | 0301 | WO-116714 | 0802. 3 |
| WO-115641 | 0302 | WO-116203 | 0301 | WO-116716 | 1601 |
| WO-115643 | 0302 | WO-116204 | 0301 | C116902 | 0309 |
| WO-115644 | 0302 | WO-116205 | 0301 | WO-116925 | 0301 |
| WO-115650 | 0302 | WO-116206 | 0301 | WO-116995 | 0302 |
| WO-115651 | 0302 | WO-116208 | 0301 | CAR-117-106 | 0301 |
| WO-115653 | 0302 | WO-116209 | 0301 | WO-117369 | 0301 |
| WO-115654 | 0302 | WO-116210 | 0301 | C118349 | 0602. 3 |
| WO-115656 | 0302 | WO-116214 | 0301 | FM-11A9352 | 0302 |
| WO-115657 | 0302 | WO-116216 | 0301 | FM-11A9361 | 0302 |
| WO-115869 | 0302 | WO-116217 | 0301 | CAR-120-151S | 0301 |
| WO-115870 | 0302 | WO-116295 | 0103 | RG-T126000 | 1401. 1 |
| WO-115880 | 0302 | WO-116384 | 0301 | C127233 | 1201. 2 |
| WO-115905 | 0304 | WO-116385 | 0301 | C127234 | 1201. 2 |
| WO-115948 | 0105. 2 | WO-116458 | 1601 | C127235 | 1201. 2 |
| WO-116003 | 0104 | WO-116459 | 1601 | C127238 | 1201. 2 |
| WO-116019 | 0104 | WO-116460 | 1601 | RG-T129001 | 1401. 1 |
| WO-116020 | 0104 | WO-116502 | 0104 | FM-GPW131410 | 0609. 1 |
| WO-116021 | 0104 | WO-116503 | 0104 | C138301 | 2208. 1 |
| WO-116022 | 0104 | WO-116522 | 0102. 1 | FM-GPW144710 | 0601. 1 |
| WO-116023 | 0104 | WO-116523 | 0102. 1 | FM-GPW144713 | 0602. 1 |
| WO-116024 | 0104 | WO-116524 | 0102. 1 | TP-149V90A7 | 1401 |
| WO-116116 | 0104 | WO-116525 | 0102. 1 | B151311 | 0603 |
| WO-116117 | 0104 | WO-116526 | 0102. 1 | WO-A15728-1 | 1601 |
| WO-116154 | 0301 | WO-116527 | 0102. 1 | WO-A15728-2 | 1601 |
| WO-116157 | 0301 | WO-116528 | 0102. 1 | WO-A15728-3 | 1601 |
| WO-116159 | 0301 | WO-116529 | 0102. 1 | WO-A15728-4 | 1601 |
| WO-116160 | 0301 | WO-116530 | 0102. 1 | WO-A15728-5 | 1601 |
| WO-116161 | 0301 | WO-116531 | 0102. 1 | WO-A15728-6 | 1601 |
| WO-116162 | 0301 | WO-116532 | 0102. 1 | WO-A15728-7 | 1601 |
| WO-116163 | 0301 | WO-116533 | 0102. 1 | WO-A15728-8 | 1601 |
| WO-116164 | 0301 | WO-116534 | 0104. 1 | WO-A15728-9 | 1601 |
| WO-116165 | 0301 | WO-116535 | 0104. 1 | A160316 | 0900 |
| WO-116166 | 0301 | WO-116536 | 0104. 1 | A160323 | 1204. 1 |
| WO-116168 | 0301 | WO-116537 | 0301 | SP-16322-2 | 1002 |
| WO-116169 | 0301 | WO-116538 | 0301 | | 1102 |
| WO-116170 | 0301 | WO-116539 | 0301 | SP-16323-2 | 1002 |
| WO-116171 | 0301 | WO-116540 | 0301 | | 1102 |

ORDNANCE AND MANUFACTURERS' PART NUMBER INDEX—Continued

| NUMBER | GROUP | NUMBER | GROUP | NUMBER | GROUP |
|-------------|---------|---------------|---------|-----------|---------|
| A167516 | 0802. 5 | A175377 | 0601. 3 | B266177 | 0702. 2 |
| B167555 | 0601. 3 | SP-18-155-2 | 0801 | A276834 | 1204. 1 |
| B167562 | 0601. 3 | SP-18-187-1 | 0802. 2 | A278701 | 0601. 1 |
| B167565 | 0601. 3 | SP-18-19-18 | 0801 | A281434 | 0301 |
| B167566 | 0601. 1 | SP-18-223-2 | 0801 | A281437 | 0301 |
| B167569 | 0601. 3 | SP-18-223-3 | 0802. 3 | A281457 | 0301 |
| B167570 | 0601. 3 | SP-18-223-6 | 1201. 2 | A281470 | 0301 |
| B167571 | 0601. 3 | SP-18-228-7 | 0801 | A283318 | 1001 |
| B167573 | 0601. 3 | SP-18-228-8 | 0801 | A283457 | 0608 |
| B167576 | 0601. 3 | SP-18-228-9 | 0801 | A291275 | 0603 |
| B167577 | 0601. 3 | SP-18-267-4 | 0801 | A291725 | 0309 |
| B167578 | 0601. 3 | SP-18-324-2 | 0801 | A291726 | 0309 |
| B167579 | 0601. 1 | SP-18-352-5 | 0801 | A291727 | 0309 |
| | 0601. 3 | SP-18-362-3 | 0802. 3 | A291728 | 0309 |
| B167581 | 0601. 3 | SP-18-381-2 | 0802. 3 | A291729 | 0309 |
| B167583 | 0601. 3 | SP-18-452-2 | 0802. 5 | A292972 | 0302 |
| B167584 | 0601. 3 | SP-18-453-3 | 0802. 5 | A292976 | 0302 |
| B167587 | 0601. 3 | SP-18-454-2 | 0802. 5 | A292977 | 0302 |
| B167589 | 0605 | SP-18-466-1 | 0802. 3 | A292981 | 0302 |
| B167596 | 0604. 1 | TRI-1851-28ZE | 2202. 2 | A293022 | 0301 |
| B167602 | 0601. 3 | A190691 | 0617 | A293029 | 0301 |
| B167603 | 0601. 3 | FM-2042132 | 0900 | A293042 | 0301 |
| B167605 | 0601. 3 | TRI-2092-10 | 2202. 2 | A293047 | 0301 |
| B167606 | 0601. 3 | TRI-2092-44ZE | 2202. 2 | A293071 | 0301 |
| B167607 | 0601. 3 | B209586C | 2202. 1 | A293135 | 0301 |
| B167610 | 0601. 3 | A214539 | 1204. 1 | A296576 | 0702. 1 |
| B167634 | 0603 | A214749 | 0302 | WO-300143 | 0108 |
| B167636 | 0603 | A214776 | 0804 | WO-300329 | 0612 |
| B167638 | 0603 | A214784 | 0804 | WO-301435 | 0605 |
| B167639 | 0603 | A214819 | 0801 | WO-303922 | 1501 |
| B167640 | 0603 | A214870 | 0801 | A304419 | 1201. 2 |
| B167645 | 0603 | A214987 | 0302 | A304420 | 1201. 2 |
| B167648 | 0603 | A215019 | 0603 | A304421 | 1201. 2 |
| B167649 | 0603 | A215030 | 0603 | A304422 | 1201. 2 |
| B167650 | 0603 | A215033 | 0603 | A304423 | 1201. 2 |
| B167661 | 0603 | A215034 | 0603 | A304426 | 1201. 2 |
| SP-16992-1 | 1004 | A215035 | 0603 | A304427 | 1201. 2 |
| SP-16992-2 | 1004 | A215036 | 0603 | A304428 | 1201. 2 |
| SP-16992-3 | 1004 | CB-215242 | 0609. 1 | A304430 | 1201. 2 |
| SP-16992-4 | 1004 | A226157 | 0900 | A307178 | 0900 |
| SP-17122-3 | 1006 | A232404 | 1311 | A307281 | 0604. 1 |
| SP-17122-4 | 1006 | A232405 | 1311 | A307283 | 0604. 1 |
| SP-17128-2X | 1006 | A232465 | 1311 | A307289 | 0900 |
| SP-17128-3X | 1006 | TRI-2328-13ZE | 2202. 2 | A307299 | 0900 |
| SP-17144-3 | 1102 | A233140 | 1311 | A307309 | 0302 |
| SP-17144-4 | 1102 | FM-24454-2 | 1804 | A307333 | 0702. 3 |
| SP-17155-1 | 1006 | A244794 | 0613. 1 | A307335 | 0702. 1 |
| SP-17155-2 | 1006 | B245928 | 0106. 2 | A307419 | 0702. 3 |
| SP-17295-1 | 1401 | B246288 | 0309 | A307421 | 0702. 2 |
| SP-17295-2 | 1401 | A246557 | 0202 | A307456 | 0702. 2 |
| WO-17355-1X | 1006 | A250653 | 0605 | A307501 | 0702. 2 |
| WO-17355-2X | 1006 | SP-25Q1055 | 0804 | A307502 | 0702. 2 |
| WO-17360-1 | 1006 | SP-25Q1056 | 0804 | A307503 | 0702. 3 |
| WO-17360-2 | 1006 | A261672 | 0302 | A307504 | 0702. 3 |
| A175240 | 0601. 3 | A262210 | 0501 | A307505 | 0702. 3 |
| A175246 | 0603 | B264301 | 1201. 2 | A307550 | 0900 |
| A175280 | 0601. 3 | B264302B | 1201. 2 | A307552 | 0900 |
| A175281 | 0601. 3 | B264302A | 1201. 2 | WO-307556 | 0605 |
| A175282 | 0601. 3 | B264303 | 1201. 2 | A307627 | 0302 |
| A175283 | 0601. 3 | B266117 | 0702. 2 | A307671 | 0702. 3 |
| A175364 | 0604. 1 | B266142 | 2208. 1 | A308194 | 0702. 3 |

ORDNANCE AND MANUFACTURERS' PART NUMBER INDEX—Continued

| NUMBER | GROUP | NUMBER | GROUP | NUMBER | GROUP |
|-------------|---------|---------------|---------|------------|---------|
| A308198 | 0702. 1 | FM-350281S | 0801 | FM-356560S | 0802. 1 |
| A308239 | 0601. 1 | FM-350282S | 0801 | FM-356561S | 0202 |
| A308240 | 0601. 1 | FM-350311S | 1201. 2 | FM-357417S | 0702. 3 |
| A308275 | 0601. 3 | FM-351015S | 1805 | FM-357418S | 0704 |
| A308318 | 0603 | LK-S35116-1 | 0105. 4 | FM-357703S | 1004 |
| A308322 | 0601. 1 | LK-S35117-1 | 0105. 4 | FM-357703S | 1004 |
| WO-311003 | 0601. 1 | FM-351505S | 1604 | FM-358019S | 1805 |
| A312057 | 1201. 1 | FM-351915S | 1201. 2 | FM-358040S | 0106. 2 |
| A312058 | 1201. 2 | FM-351926S | 1202 | FM-358074S | 1006 |
| SP-31-246-2 | 0301 | FM-352101S | 0201 | WO-359039 | 1601 |
| WO-314338 | 0802. 2 | FM-352104S | 0800 | WO-371400 | 0612 |
| WO-314369 | 0106. 6 | FM-353104S | 2201 | WO-371567 | 0201 |
| WO-315932 | 0605 | FM-353201S | 1703 | WO-372438 | 0312 |
| A316845 | 0605 | FM-353202S | 1701 | WO-372668 | 0612 |
| A322952 | 0105. 4 | FM-355253S | 0304 | WO-374586 | 1202 |
| A323545 | 0601. 1 | FM-355262S | 0106. 1 | WO-374681 | 0201 |
| FM-32852S7 | 1401. 1 | FM-355378S | 0804 | WO-375217 | 0105. 4 |
| FM-32989S2 | 0106. 2 | FM-355426S | 1401. 1 | WO-375811 | 0105. 1 |
| WO-330964 | 0609. 1 | FM-355444S | 1204. 1 | WO-375877 | 0102 |
| A331979 | 1806 | FM-355451S | 0105. 1 | WO-375900 | 0105. 3 |
| WO-332515 | 0106. 1 | FM-GPW355452S | 0105. 1 | WO-375907 | 0105. 3 |
| A333811 | 0106. 2 | FM-355456S | 2101 | WO-375908 | 0105. 3 |
| WO-334103 | 0401 | FM-355476S | 0201 | WO-375910 | 0105. 2 |
| FM-33797S2 | 0101 | FM-355497S | 0103 | WO-375917 | 0105. 4 |
| FM-33896S2 | 0102 | FM-355499S | 0104 | WO-375920 | 0102 |
| WO-339043 | 1808 | FM-355533S | 0105. 4 | WO-375927 | 0106. 1 |
| FM-33921S7 | 1804 | FM-355533S | 0801 | WO-375994 | 0105. 1 |
| WO-339372 | 1806 | FM-355550S | 0804 | WO-380197 | 0106. 1 |
| WO-343306 | 1808 | FM-355551S | 1201. 1 | A381088 | 0608 |
| WO-344732 | 0202 | FM-355554S | 0801 | WO-381519 | 0102 |
| WO-345961 | 0201 | FM-355571S | 0105. 2 | FM-38192S2 | 1804 |
| A346490 | 1601. 1 | FM-355578S | 1202 | FM-38259S2 | 1804 |
| A346732A | 0106. 1 | FM-355597S | 0103 | WO-384228 | 1601. 1 |
| A346734 | 0108 | FM-355698S | 0700 | WO-384569 | 0106. 1 |
| A346740 | 0160. 2 | FM-355741S | 0804 | WO-384710 | 1204. 3 |
| A346767 | 0613. 1 | FM-355752S | 0800 | WO-387249 | 0306 |
| A346768 | 2202. 2 | FM-355872S | 1201. 1 | WO-387633 | 0102 |
| A346770 | 2208. 1 | FM-356016S | 1201. 2 | WO-387891 | 0106. 6 |
| A346771 | 0602. 3 | FM-356124S | 1805 | WO-390510 | 1401. 1 |
| A346774 | 0301 | FM-356125S | 1401 | WO-392328 | 0704 |
| A346775 | 0301 | FM-356126S | 0802. 3 | WO-392468 | 1201. 1 |
| A346776 | 0604. 1 | FM-356126S | 0900 | RG-400025 | 1401. 1 |
| A346777 | 0604. 1 | WO-356155 | 0900 | RG-401090 | 1401. 1 |
| A346778 | 0604. 1 | FM-356205S | 1006 | RG-401100 | 1401. 1 |
| A346779 | 0604. 1 | FM-356299S | 0106. 1 | RG-401107 | 0611 |
| A346780 | 0604. 1 | FM-356303S | 0801 | FM-40631S7 | 0609. 1 |
| A346784 | 0604. 1 | FM-356305S | 0608 | CB-415342 | 0609. 1 |
| A346791 | 0602. 1 | FM-356361S | 1401. 1 | CB-415442 | 0609. 1 |
| A346792 | 0602. 3 | FM-356276S | 0312 | 42-C-6620 | 2201 |
| A346792 | 0602. 1 | FM-356403S | 0612 | 42-E-4060 | 2201 |
| A346794 | 0602. 1 | FM-356436S | 0613. 1 | SW-441044 | 0607 |
| A346845 | 0601. 1 | FM-356439S | 1804 | RG-450054 | 0611 |
| A346846 | 0601. 1 | FM-356504S | 0102 | 45-C-9272 | 0604. 1 |
| A346854 | 0302 | FM-356519S | 1201. 2 | USL-461389 | 0304 |
| FM-348148S | 2201 | FM-356524S | 0601. 1 | 500813 | 2202. 1 |
| WO-349368 | 0101 | | 1401. 1 | RG-502282 | 1401. 1 |
| FM-350280S | 0801 | | 0802. 3 | RG-502540 | 1401. 1 |
| | | | 0900 | RG-503284 | 1401. 1 |
| | | | 1006 | RG-503308 | 1401. 1 |
| | | | 0802. 1 | BUE-505275 | 1808 |
| | | | 0800 | BUE-505282 | 1808 |

ORDNANCE AND MANUFACTURERS' PART NUMBER INDEX—Continued

| NUMBER | GROUP | NUMBER | GROUP | NUMBER | GROUP |
|------------|---------|------------|----------|-----------|---------|
| BUE-505284 | 1808 | WO-634759 | 0800 | WO-636879 | 0702. 2 |
| BUE-505285 | 1808 | WO-634762 | 0800 | WO-636882 | 0702. 3 |
| BUE-505287 | 1808 | WO-634796 | 0102 | WO-636954 | 0104 |
| BUE-505288 | 1808 | WO-634811 | 0108 | WO-636961 | 0104 |
| FM-51-3287 | 1401 | WO-634813 | 0106. 1 | WO-637007 | 0102. 1 |
| FM-60332S2 | 1804 | WO-634814 | {0401 | WO-637008 | 0102. 1 |
| OKS-613300 | 0304 | | {0401. 1 | WO-637020 | 0104. 1 |
| OKS-613306 | 0304 | WO-634850 | 0105. 4 | WO-637041 | 0104 |
| OKS-613313 | 0304 | WO-635097 | 0304 | WO-637042 | 0104 |
| OKS-613314 | 0304 | WO-635377 | 0102. 1 | WO-637044 | 0105. 1 |
| OKS-613380 | 0304 | WO-635394 | 0103 | WO-637045 | 0105. 1 |
| OKS-613387 | 0304 | WO-635532 | 1601. 1 | WO-637047 | 0105. 2 |
| OKS-613455 | 0304 | WO-635681 | {1201. 1 | WO-637048 | 0105. 2 |
| FM-62323S2 | 1808 | | {1201. 2 | WO-637052 | 0504 |
| WO-624969 | 0102 | WO-635804 | 0702. 3 | WO-637053 | 0504 |
| WO-630068 | 0202 | WO-635811 | 0702. 3 | WO-637065 | 0105. 3 |
| WO-630101 | {0103 | WO-635812 | 0702. 3 | WO-637098 | 0102 |
| | {0700 | WO-635820 | 0702. 2 | WO-637182 | 0105. 1 |
| WO-630103 | 0701 | WO-635836 | 0704 | WO-637183 | 0105. 1 |
| WO-630112 | 0202 | WO-635837 | 0704 | WO-637206 | 0108 |
| WO-630117 | 0202 | WO-635839 | 0704 | WO-637208 | 0108 |
| WO-630129 | 0201 | WO-635840 | 0704 | WO-637209 | 0108 |
| WO-630262 | 0102 | WO-635841 | 0704 | WO-637210 | 0108 |
| WO-630294 | 0102 | WO-635844 | 0702. 1 | WO-637211 | 0108 |
| WO-630298 | 0106. 5 | WO-635846 | 0702. 1 | WO-637237 | 0102 |
| WO-630299 | 0106. 5 | WO-635857 | 0704 | WO-637424 | 1204. 3 |
| WO-630303 | 0105. 1 | WO-635859 | 0704 | WO-637425 | 0106. 1 |
| WO-630305 | 0105. 1 | WO-635861 | 0704 | WO-637426 | 1204. 3 |
| WO-630359 | 0105. 4 | WO-635862 | 0704 | WO-637427 | 1204. 3 |
| WO-630364 | 0105. 3 | WO-635863 | 0704 | WO-637432 | 1204. 3 |
| WO-630365 | 0105. 4 | WO-635886 | 0605 | WO-637439 | 1204. 3 |
| WO-630384 | 0106. 1 | WO-635981 | 0613. 1 | WO-637495 | 0700 |
| WO-630387 | 0106. 1 | WO-635985 | 0613. 1 | WO-637503 | 0701 |
| WO-630389 | 0106. 1 | WO-636004 | {0401 | WO-637540 | 1204. 2 |
| WO-630390 | 0106. 1 | | {0401. 1 | WO-637541 | 1204. 2 |
| WO-630392 | 0106. 1 | WO-636109 | 0503 | WO-637544 | 1204. 2 |
| WO-630394 | 0106. 1 | WO-636196 | 0704 | WO-637545 | 1204. 2 |
| WO-630396 | 0106. 6 | WO-636197 | 0704 | WO-637546 | 1204. 2 |
| WO-630397 | 0106. 6 | WO-636200 | 0704 | WO-637577 | 1204. 2 |
| WO-630398 | 0106. 6 | WO-636298 | 0504 | WO-637579 | 1204. 2 |
| WO-630512 | 0503 | WO-636299 | 0505 | WO-637580 | 1204. 2 |
| WO-630518 | 0106. 1 | WO-636360 | {1002 | WO-637582 | 1204. 1 |
| WO-630526 | 0401 | | {1102 | WO-637583 | 1204. 1 |
| WO-630593 | 0202 | WO-636396 | 0802. 5 | WO-637584 | 1204. 1 |
| WO-630727 | 0105. 4 | WO-636438 | 0108 | WO-637585 | 1204. 1 |
| WO-630753 | 1401 | WO-636439 | 0108 | WO-637586 | 1204. 1 |
| WO-630754 | 1401 | WO-636504S | 0802. 3 | WO-637587 | 1204. 1 |
| WO-630755 | 1401 | WO-636565 | {1002 | WO-637590 | 1204. 1 |
| WO-630756 | 1401 | | {1102 | WO-637591 | 1204. 1 |
| WO-630757 | 1401 | WO-636566 | {1002 | WO-637595 | 1204. 1 |
| WO-631105 | 0605 | | {1102 | WO-637596 | 1204. 1 |
| WO-632156 | 0103 | WO-636568 | {1002 | WO-637597 | 1204. 1 |
| WO-632157 | {0103 | | {1102 | WO-637598 | 1204. 1 |
| | {0104 | WO-636569 | {0900 | WO-637599 | 1204. 1 |
| WO-632158 | 0105. 1 | | {1006 | WO-637602 | 1204. 1 |
| WO-632174 | 0312 | WO-636570 | {0900 | WO-637604 | 1204. 1 |
| WO-632177 | 0202 | | {1006 | WO-637605 | 1204. 1 |
| WO-633011 | 0312 | WO-636599 | 0106. 1 | WO-637606 | 1204. 1 |
| WO-633013 | 0312 | WO-636600 | 0106. 1 | WO-637608 | 1204. 1 |
| WO-634432 | 1601. 1 | WO-636755 | 0201 | WO-637612 | 1204. 1 |
| WO-634758 | 0800 | WO-636778 | 0201 | WO-637615 | 0604. 1 |

ORDNANCE AND MANUFACTURERS' PART NUMBER INDEX—Continued

| NUMBER | GROUP | NUMBER | GROUP | NUMBER | GROUP |
|------------|-----------|-----------|-----------|------------|-----------|
| WO-637636 | 0106. 1 | WO-639052 | 0105. 1 | WO-640360 | 0201 |
| WO-637646 | 0503 | WO-639090 | 1401. 1 | WO-640361 | 0201 |
| WO-637724 | 0102. 1 | WO-639091 | 1401. 1 | WO-640527 | 2202. 2 |
| WO-637725 | 0102. 1 | WO-639102 | 1401. 1 | WO-640720 | 0312 |
| WO-637787 | 1204. 2 | WO-639103 | 1401. 1 | WO-641046C | 0106. 1 |
| WO-637789 | 1204. 2 | WO-639107 | 1401. 1 | WO-641047 | 0106. 1 |
| WO-637790 | 0102 | WO-639108 | 1401. 1 | WO-641048D | 0105. 4 |
| WO-637831 | 0702. 2 | WO-639109 | 1401. 1 | WO-641049 | { 0105. 3 |
| WO-637832 | 0702. 2 | WO-639110 | 1401. 1 | | { 0105. 4 |
| WO-637833 | 0702. 2 | WO-639115 | 1401. 1 | WO-641049U | 0105. 3 |
| WO-637834 | 0702. 2 | WO-639116 | 1401. 1 | WO-641050 | 0106. 6 |
| WO-637835 | 0702. 2 | WO-639118 | 1401. 1 | WO-641055D | 0105. 3 |
| WO-637899 | 1202 | WO-639119 | 1401. 1 | WO-641096B | 0105. 4 |
| WO-637900 | 1202 | WO-639121 | 1401. 1 | WO-641128 | 0102 |
| WO-637901 | 1202 | WO-639190 | 1401. 1 | WO-641143A | 0105. 4 |
| WO-637905 | 1202 | WO-639191 | 1401. 1 | WO-641281D | 0105. 4 |
| WO-637936 | 1604 | WO-639192 | 1401. 1 | WO-641282C | 0105. 4 |
| WO-638058 | { 0401 | WO-639237 | 0102. 1 | WO-641283B | 0105. 4 |
| | { 0401. 1 | WO-639238 | 0102. 1 | WO-641284A | 0105. 3 |
| WO-638113 | 0102 | WO-639239 | 0102. 1 | WO-641293 | 0106. 1 |
| WO-638121 | 0102 | WO-639240 | 0102. 1 | WO-641478 | 0106. 1 |
| WO-638151 | 0201 | WO-639244 | { 1201. 1 | WO-641479 | 0106. 1 |
| WO-638152 | 0201 | | { 1201. 2 | WO-641481 | 0106. 1 |
| WO-638153 | 0201 | WO-639422 | 0702. 2 | WO-641482 | 0106. 1 |
| WO-638154 | 0201 | WO-639423 | 0702. 2 | WO-641483 | 0106. 1 |
| WO-638155 | 0201 | WO-639555 | 0106. 6 | WO-641695 | 0201 |
| WO-638157 | 0201 | WO-639578 | 0201 | WO-641742 | 0106. 1 |
| WO-638158 | 0201 | WO-639599 | 0608 | WO-641768 | 0104. 1 |
| WO-638159 | 0201 | WO-639607 | 0312 | WO-641769 | 0104. 1 |
| WO-638381 | 1401. 1 | WO-639610 | 0312 | WO-641774 | 0104. 1 |
| WO-638457 | 0105. 4 | WO-639650 | 0503 | WO-641775 | 0104. 1 |
| WO-638458 | 0105. 4 | WO-639651 | 0503 | WO-641839 | 0104. 1 |
| WO-638459 | 0105. 4 | WO-639654 | 0202 | WO-641921 | 1201. 2 |
| WO-638539 | 0101 | WO-639663 | 0504 | WO-642280B | 0103 |
| WO-638540B | 0101 | WO-639734 | 0603 | WO-642622 | 0201 |
| WO-638635 | 0101 | WO-639743 | 0108 | WO-642918 | 0201 |
| WO-638636 | 0105. 1 | WO-639858 | 0104. 1 | WO-643839 | 0102 |
| WO-638640 | 0108 | WO-639859 | 0104. 1 | WO-643842B | 0105. 4 |
| WO-638646 | 0603 | WO-639862 | 0104. 1 | WO-644963D | 0105. 3 |
| WO-638678 | 0101 | WO-639864 | 0104 | WO-645093D | 0105. 1 |
| WO-638730 | 0102. 1 | WO-639870 | 0106. 1 | WO-645094D | 0105. 1 |
| WO-638731 | 0102. 1 | WO-639979 | 0106. 6 | WO-645160 | 0102. 1 |
| WO-638732 | 0102. 1 | WO-639980 | 0106. 6 | WO-645161 | 0102. 1 |
| WO-638733 | 0102. 1 | WO-639992 | 0504 | WO-645162 | 0102. 1 |
| WO-638737 | 0302 | WO-639993 | 0504 | WO-645163 | 0102. 1 |
| WO-638780 | 1201. 1 | WO-639999 | 0104. 1 | WO-645164 | 0102. 1 |
| WO-638798 | 0702. 2 | WO-640000 | 0104. 1 | WO-645165 | 0102. 1 |
| WO-638809 | 1501 | WO-640006 | 0702. 2 | WO-645166 | 0102. 1 |
| WO-638884 | 0611 | WO-640017 | 0702. 1 | WO-645167 | 0102. 1 |
| WO-638885 | 0611 | WO-640018 | 0702. 1 | WO-645168 | 0102. 1 |
| WO-638918 | 1401. 1 | WO-640019 | 0105. 2 | WO-645169 | 0102. 1 |
| WO-638948 | 0702. 3 | WO-640020 | 0105. 2 | WO-645170 | 0102. 1 |
| WO-638949 | 0702. 3 | WO-640030 | 0106. 6 | WO-645171 | 0102. 1 |
| WO-638952 | 0702. 3 | WO-640031 | 0504 | WO-645187 | 0501 |
| WO-638979 | 0608 | WO-640032 | 0504 | WO-645282 | 0102 |
| WO-638992 | 0201 | WO-640033 | 0504 | WO-645595 | 0105. 3 |
| WO-638993 | 0201 | WO-640034 | 0504 | WO-645623B | 0102 |
| WO-639010 | { 1201. 1 | WO-640070 | 0104. 1 | WO-645628 | 0106. 1 |
| | { 1201. 2 | WO-640071 | 0104. 1 | WO-645629 | 0106. 1 |
| WO-639044 | 0105. 1 | WO-640072 | 0104. 1 | WO-645630 | 0106. 1 |
| WO-639051 | 0105. 3 | WO-640102 | 1201. 2 | WO-645631 | 0106. 2 |

ORDNANCE AND MANUFACTURERS' PART NUMBER INDEX—Continued

| NUMBER | GROUP | NUMBER | GROUP | NUMBER | GROUP |
|---------------|---------|-----------------|-------|----------------|---------|
| WO-646865 | 0100 | FM-GPW1100001 | 1800 | FM-GPW1111218 | 1805 |
| WO-647078 | 0102 | FM-GPW1101610 | 1804 | FM-GPW1111286A | 1805 |
| WO-647820 | 0605 | FM-GPW1'01621A | 2210 | FM-GPW1111299A | 1805 |
| WO-647843C | 0301 | FM-GPW1101627A | 2210 | FM-GPW1111322 | 0306 |
| WO-647845 | 0100 | FM-1101629A | 2210 | FM-GPW1111323 | 0306 |
| WO-650482 | 0312 | FM-GPW1101670 | 1804 | FM-GPW1111324 | 0306 |
| WO-650483 | 0312 | FM-GPW1101698A | 1805 | FM-GPW1111330 | 1805 |
| WO-651298 | 0312 | FM-GPW1101735A | 0804 | FM-GPW1111331 | 1805 |
| WO-654934 | 1806 | | 1805 | FM-GPW1111520A | 1805 |
| WO-662010 | 1701 | FM-GPW1102002 | 1804 | FM-GPW1112110 | 1805 |
| WO-662276 | 0613. 1 | FM-GPW1102003 | 1804 | FM-GPW1112115 | 1805 |
| WO-662420 | 0607 | FM-GPW1102015 | 1804 | FM-GPW1112116A | 1805 |
| SP-6-73-122 | 1201. 2 | FM-GPW1102038 | 1804 | FM-GPW1112117 | 1805 |
| SP-6-73-124 | 1006 | FM-GPW1102039 | 1804 | FM-GPW1112119 | 1805 |
| | 1102 | FM-GPW1102130 | 1804 | FM-GPW1112158 | 1805 |
| SP-6-73-218 | 1201. 1 | FM-GPW1102330A | 1808 | FM-11A12426 | 0605 |
| SP-6-73-513 | 1202 | FM-GPW-1102396 | 1804 | FM-11A13480 | 0608 |
| GM-709818 | 1204. 3 | FM-GPW1102510 | 1804 | FM-11A14452 | 0612 |
| 710161 | 0504 | FM-GPW1102511 | 1804 | FM-11C17489 | 2202. 2 |
| FM-72798S7 | 0603 | FM-GPW1102980 | 2201 | FM-GPW1120040 | 2201 |
| FM-73889S7 | 1201. 1 | FM-GPW1103010 | 1804 | FM-GPW1120041 | 2201 |
| FM-73904S7 | 1201. 1 | FM-GPW1103014 | 1804 | FM-GPW1127846 | 1804 |
| | 1201. 2 | FM-GP1103014B | 1804 | FM-GPW1127847 | 1804 |
| FM-73928S7 | 1201. 1 | FM-GP1103020 | 1804 | FM-GPW1127848 | 1804 |
| FM-74-6038 | 0800 | FM-GPW1103027 | 1703 | FM-GPW1127849 | 1804 |
| FM-74-6038A | 0800 | FM-GPW1103028 | 1804 | FM-GPW1127850 | 1804 |
| FM-78-2814A | 1204. 3 | FM-GPW1103030 | 1804 | FM-GPW1127851 | 1804 |
| FM-78-3332A | 1401 | FM-GPW1103050 | 1804 | FM-GPW1128242 | 1804 |
| FM-78-3336 | 1401 | FM-GPW1103080A | 1804 | FM-GPW1128244 | 1804 |
| FM-G8T11649 | 0608 | FM-GP1103100 | 1804 | FM-GPW1128254 | 1808 |
| FM-G8T11654 | 0608 | FM-GP1103106 | 1804 | FM-GPW1128256 | 1808 |
| FM-G8T11661 | 0608 | FM-GPW1103110 | 1804 | FM-GPW1128286 | 1804 |
| FM-G8T11670 | 0608 | FM-GPW1103162 | 1804 | FM-GPW1129068 | 2201 |
| FM-G8T13532 | 0608 | FM-GPW1103214 | 2201 | FM-GPW1129069 | 2201 |
| AC-838263 | 0302 | FM-GPW1103268 | 1804 | FM-GPW1129670 | 1804 |
| RG-828732 | 0611 | FM-GP1103302 | 1804 | FM-GPW1129672 | 1804 |
| WO-A8463-10 | 1601 | FM-GP1103304 | 1804 | FM-GPW1140324 | 1804 |
| AC-846709 | 0501 | FM-GP1103310 | 1804 | FM-GPW1140330 | 1808 |
| AC-846732 | 0501 | FM-GP1103334 | 1804 | FM-GPW1140334 | 1808 |
| AC-850042 | 0306 | FM-GP1103350 | 1804 | FM-GPW1140344 | 1808 |
| AC-853558 | 0309 | FM-GPW1103446A | 1804 | FM-GPW1140348 | 1808 |
| AC-853562 | 0309 | FM-GP1103482A | 1804 | FM-GPW1140441 | 1804 |
| AC-853572 | 0309 | FM-GPW1103488 | 1804 | FM-GPW1140447 | 1804 |
| AC-853634 | 0309 | FM-GPW1104320 | 1804 | FM-GPW1140449 | 1804 |
| AC-854005 | 0302 | FM-GPW1104364 | 1804 | FM-GPW1140474 | 0306 |
| AC-855763 | 0302 | FM-GPW1104366 | 1808 | FM-GPW1143507 | 1808 |
| ND-885141 | 0504 | FM-GPW1106024-B | 1808 | FM-GPW1144605 | 1804 |
| ND-885141D | 0504 | FM-GPW1106064 | 1808 | FM-GPW1144620 | 1804 |
| BX-900110 | 1201. 2 | FM-GPW1106068 | 1808 | FM-GPW1146100 | 1808 |
| FM-9N11450A | 0603 | FM-GPW1106084A | 1808 | FM-GPW1146102A | 1808 |
| FM-9N18679 | 0106. 6 | FM-GPW1106084B | 1808 | FM-GPW1146126 | 1808 |
| FM-9N18686 | 0106. 6 | FM-GPW1106085 | 1808 | FM-GPW1146132 | 1808 |
| FM-91A2027 | 1202 | FM-GPW1106087A | 1808 | FM-GPW1146152 | 1808 |
| FM-91A2030 | 1202 | FM-GPW1110610 | 1805 | FM-GPW1150498 | 1804 |
| FM-91A2151 | 1204. 1 | FM-GPW1110611 | 1805 | | 2201 |
| FM-91A2152 | 1204. 1 | GPW-1110625 | 1805 | FM-GPW1151266 | 2201 |
| FM-91A2201 | 1204. 2 | FM-GPW1110750 | 1805 | FM-GPW1151268 | 2201 |
| FM-09B14362 | 0617 | FM-GPW1111137A | 1805 | FM-GPW1151270 | 2201 |
| FM-91-A8287 | 0304 | FM-GPW1111140 | 1805 | FM-GPW1151272 | 2201 |
| FM-99A5090 | 1501 | FM-GPW1111155 | 1805 | FM-GPW1151289 | 1804 |
| FM-GPW1000000 | 1800 | FM-GPW1111162 | 1804 | FM-GPW1151297 | 1804 |

ORDNANCE AND MANUFACTURERS' PART NUMBER INDEX—Continued

| NUMBER | GROUP | NUMBER | GROUP | NUMBER | GROUP |
|----------------|-------|---------------|---------|--------------|----------|
| FM-GPW1152700 | 2201 | AC-1523096 | 0302 | FM-356229S7 | {0605 |
| FM-GPW1152720 | 2201 | AC-1523099 | 0302 | | {0608 |
| FM-GPW1152730 | 2201 | AC-1523106 | 0302 | FM-356263S7 | 0601. 1 |
| FM-GPW1152950 | 2201 | AC-1523231 | 0302 | | {1804 |
| FM-GPW1153030 | 2201 | AC-1523744 | 0302 | FM-356309S7 | {2101 |
| FM-GPW1153100 | 1808 | AC-1537065 | 0302 | FM-356314S7 | 0501 |
| FM-GPW1153104 | 1808 | AC-1537404 | 0302 | FM-356371S7 | 0601. 1 |
| FM-GPW1153106 | 1808 | AC-1537766 | 0302 | FM-356373S2 | 1804 |
| FM-GPW1153107 | 1808 | AC-1537812 | 0302 | FM-356394S2 | 1204. 1 |
| FM-GPW1153110 | 1808 | AC-1538205 | 0302 | FM-356522S2 | 2201 |
| FM-GPW1153123 | 1808 | AC-1538312 | 0302 | FM-357419S2 | 0609. 1 |
| FM-GPW1153124 | 1808 | AC-1538886 | 0302 | FM-357689S7 | 0605 |
| FM-GPW1153142 | 2201 | WO-A15728-10 | 1601 | FM-360036S8 | 0608 |
| FM-GPW1154810A | {1804 | WO-A15728-11 | 1601 | WG-4229A138A | 0702. 2 |
| | {2201 | AC-1595223 | 0309 | WG-4299A137A | 0702. 2 |
| FM-GPW1160012B | 1806 | AC-1595235 | 0309 | 5166140 | {0309 |
| FM-GPW1160016B | 1806 | AC-1595823 | 0309 | 5570232 | |
| FM-GPW1160026 | 1806 | AC-1595831 | 0309 | 5700002 | 2202. 1 |
| FM-GPW1160314 | 1806 | AC-1595848 | 0309 | 5700003 | 2202. 1 |
| FM-GPW1160326 | 1806 | FM-19B14451 | 0612 | SP-6-73-1117 | 1004 |
| FM-GPW1160327B | 1806 | FM-21CS17682B | 2202 | 7000419 | 0608 |
| FM-GPW1160780 | 1806 | SP-22-381-19 | 0802. 3 | | {0106. 2 |
| FM-GPW1161300 | 1806 | FM-256123S7 | 1808 | | {0613. 1 |
| FM-GPW1161302 | 1806 | HR-3108628 | 0503 | 7000997 | {2202. 2 |
| FM-GPW1161326 | 1806 | | {1601 1 | | {2208. 1 |
| FM-GPW1162180 | 1806 | FM-34033S18 | {1602 | 7001046 | 0602. 3 |
| FM-GPW1162181 | 1806 | FM-350110S7 | 0604. 1 | 7001402 | 0605 |
| FM-GPW1162400 | 1806 | | {1701 | 7001411 | 1202 |
| FM-GPW1162402 | 1806 | FM-350976S2 | {1805 | 7002108 | 0309 |
| FM-GPW1162410 | 1806 | FM-351303S2 | 2202. 1 | 7002601 | 0704 |
| FM-GPW1162414 | 1806 | FM-351355S7 | 0603 | 7002980 | 2202. 1 |
| FM-GPW1162552 | 1806 | | {1701 | 7002981 | 2202. 1 |
| FM-GPW1162606 | 1805 | FM-351370S2 | {1806 | 7002982 | 2202. 1 |
| FM-GPW1162900B | 1806 | | {2201 | 7007562 | 0304 |
| FM-GPW1162900C | 1806 | FM-351505S7 | 1604 | 7007587 | 0609. 1 |
| FM-GPW1163120B | 1806 | FM-352690S7 | 1201. 2 | 7010485 | 0304 |
| FM-GPW1163206 | 1806 | FM-353202S2 | 1701 | 7010486 | 0304 |
| FM-GPW1163804C | 1806 | FM-355067S7 | 0301 | 7010517 | 0304 |
| FM-GPW1163846B | 1806 | FM-355132S7 | 0301 | | {0617 |
| FM-GPW1164416 | 1806 | FM-355158S2 | 1808 | 7010531 | {1503 |
| FM-GPW1164812B | 1806 | FM-355158S7 | 1808 | 7010624 | 0609. 1 |
| FM-GPW1166400 | 1806 | | {1804 | 7010671 | 0602. 1 |
| FM-GPW1166401 | 1806 | FM-355162S2 | {2201 | 7010675 | 0601. 1 |
| FM-GPW1166600 | 1806 | | 0603 | 7016441 | 0608 |
| FM-GPW1166800B | 1806 | FM-355164S2 | 0603 | 7016452 | 0601. 3 |
| AC-1504117 | 0309 | FM-355200S7 | 0301 | 7016453 | 0601. 3 |
| AC-1504118 | 0309 | FM-355260S7 | 0601. 1 | 7016455 | 0601. 3 |
| AC-1504212 | 0309 | FM-355352S7 | 1201. 1 | 7016456 | 0601. 3 |
| AC-1521288 | 0302 | FM-355403S2 | 0106. 6 | 7036544 | 0802. 3 |
| AC-1521578 | 0302 | FM-355427S7 | 0602. 1 | 7036567 | 1401 |
| AC-1521708 | 0302 | FM-355449S2 | 1804 | 7036571 | 0105. 4 |
| AC-1521880 | 0302 | FM-355455S7 | 0601. 1 | 7036572 | 0105. 4 |
| AC-1521956 | 0302 | FM-355486S7 | 0601. 1 | 7036573 | 2202. 1 |
| AC-1521960 | 0302 | FM-355569S2 | 1806 | 7036574 | 0105. 4 |
| AC-1521985 | 0302 | FM-355762S7 | 0501 | 7036575 | 0304 |
| AC-1522046 | 0302 | FM-355900S2 | 1806 | 7036577 | 0505 |
| AC-1522072 | 0302 | FM-355909S2 | 1805 | 7036578 | 0106. 6 |
| AC-1522199 | 0302 | FM-355944S5 | 0603 | 7036579 | 0105. 1 |
| AC-1523068 | 0302 | FM-356077S5 | 1401. 1 | 7036580 | 0105. 1 |
| AC-1523084 | 0302 | FM-356123S7 | 1808 | 7036582 | 0608 |
| AC-1523090 | 0302 | FM-356200S7 | 1805 | 7036583 | 0900 |
| | | FM-356208S7 | 0601. 1 | | |

ORDNANCE AND MANUFACTURERS' PART NUMBER INDEX—Continued

| NUMBER | GROUP | NUMBER | GROUP | NUMBER | GROUP |
|---------|----------|---------|----------|---------|---------|
| 7036584 | 1401 | 7324917 | 1201. 1 | 7368266 | 0105. 1 |
| 7036585 | 1401 | 7324918 | 1201. 1 | 7368267 | 0106. 6 |
| 7036586 | 1401 | 7324920 | 1004 | 7368268 | 0306 |
| 7036587 | 1401 | 7326117 | 0106. 6 | 7368269 | 0306 |
| 7036588 | 1401 | 7326118 | 0202 | 7368270 | 0306 |
| 7036866 | 0608 | 7326119 | {1804 | 7368271 | 0306 |
| 7037380 | 0608 | | {2201 | 7368272 | 0306 |
| 7039934 | 0106 2 | 7326315 | 1503 | 7368273 | 0306 |
| 7044154 | 1504 | 7326316 | 1503 | 7368274 | 0306 |
| 7044167 | 1504 | 7329276 | 0104 | 7368275 | 0306 |
| 7044173 | 1504 | 7329277 | 0104 | 7444101 | 0603 |
| 7044232 | {0802. 5 | 7329386 | {0604. 1 | 7520047 | 1202 |
| | {2208. 1 | | {0106. 5 | 7697848 | 1601. 1 |
| 7056073 | 0607 | 7330714 | 0104 | 7697850 | 1602 |
| 7058919 | 0615 | 7331509 | 0802. 5 | 7697851 | 1703 |
| 7058922 | 0615 | 7332019 | 0401 | 7697852 | 0609. 1 |
| 7058923 | 0615 | 7335115 | 2201 | 7697853 | 0612 |
| 7058924 | 0615 | 7335119 | 2201 | 7697854 | 1501 |
| 7058926 | 0615 | 7335135 | 2201 | 7697855 | 1201. 1 |
| 7058927 | 0615 | 7335147 | 2201 | 7697856 | 2210 |
| 7058931 | 0615 | 7335148 | 2201 | 7697858 | 0609. 1 |
| 7062001 | 1503 | 7336451 | 0102 | 7697859 | 0609. 1 |
| 7062002 | 1503 | 7337026 | 0601. 1 | 7697860 | 1604 |
| 7069271 | 2202. 1 | 7337495 | 0602. 1 | 7697861 | 1601. 1 |
| 7069272 | 2202. 1 | 7337558 | 0615 | 7697862 | 1601. 1 |
| 7069273 | 2202. 1 | 7338861 | 1006 | 7697863 | 0501 |
| 7069274 | 2202. 1 | 7338991 | 0613. 1 | 7697865 | 0613. 1 |
| 7088715 | 1604 | 7340237 | 1204. 1 | 7697866 | 0613. 1 |
| 7088753 | 0605 | 7341364 | 0607 | 7697867 | 0607 |
| 7088755 | 0608 | 7341366 | 0603 | 7697868 | 1501 |
| 7089574 | 0201 | 7341765 | 1501 | 7697869 | {0401 |
| 7089882 | 0611 | 7341766 | 1501 | | {1501 |
| 7091769 | 1804 | 7341767 | 1501 | 7697870 | 1501 |
| 7099459 | 1804 | 7341768 | 1501 | 7697871 | 1204. 3 |
| 7099460 | 2202. 2 | 7341775 | 0613. 1 | 7697872 | 1204. 3 |
| 7099461 | 2202 2 | 7341800 | 1312 | 7697873 | 1204 |
| 7099792 | 0304 | 7341811 | 1808 | 7697874 | 1204. 1 |
| 7099909 | 1504 | 7343030 | 1401. 1 | 7697875 | 1602 |
| 7324060 | 0301 | 7343032 | 1604 | 7697876 | 0609. 1 |
| 7324173 | 0604. 1 | 7343076 | 1601. 1 | 7698204 | 0605 |
| 7324174 | 0604. 1 | 7343079 | 0104. 1 | 7698205 | 1204. 1 |
| 7324684 | 0603 | 7343086 | {0306 | 7698344 | 0617 |
| 7324773 | 1804 | | {0613. 1 | 7698430 | 1804 |
| 7324775 | 1804 | 7343162 | 0101 | 7698431 | 1804 |
| 7324834 | 1204. 1 | 7343368 | 0301 | 7698432 | 1804 |
| 7324836 | 2202. 1 | 7361993 | 1808 | 7698433 | 1808 |
| 7324837 | 0304 | 7361994 | 1805 | 7698434 | 1806 |
| 7324838 | 0105. 1 | 7362105 | 0504 | 7698435 | 1806 |
| 7324839 | 0105. 1 | 7362371 | 1204. 1 | 7698436 | 1808 |
| 7324840 | {0103 | 7365352 | 0900 | 7698437 | 1808 |
| | {0104 | 7367859 | 1401. 1 | 7698438 | 1703 |
| 7324841 | 0201 | 7367861 | {0900 | 7698439 | 1703 |
| 7324844 | 0608 | | {1006 | 7698440 | {1804 |
| 7324847 | 1804 | 7368257 | 0312 | | {2201 |
| 7324848 | 1804 | 7368258 | 0312 | 7698441 | 1808 |
| 7324849 | 1401. 1 | 7368259 | 0312 | 7698442 | 1806 |
| 7324850 | 0800 | 7368260 | 0202 | 7698443 | 1806 |
| 7324851 | 1201. 1 | 7368262 | 0202 | 7698444 | 1806 |
| 7324852 | {1201. 1 | 7368263 | 0306 | 7698445 | 1806 |
| | {1201. 2 | 7368264 | 0306 | 7698447 | 2201 |
| 7324874 | 0104. 1 | 7368265 | 0100 | 7698448 | 1501 |

ORDNANCE AND MANUFACTURERS' PART NUMBER INDEX—Continued

| NUMBER | GROUP | NUMBER | GROUP | NUMBER | GROUP |
|---------|----------|---------|----------|---------|----------|
| 7698449 | 1501 | 7702564 | 0106. 2 | 7713399 | 0601. 3 |
| 7698450 | 1501 | 7702591 | 0900 | 7713400 | 0613. 1 |
| 7698451 | 2101 | | | 7713401 | 0601. 3 |
| 7698452 | 1808 | 7702608 | {0602. 1 | 7713402 | 0505 |
| 7698454 | 2101 | 7702609 | 0602. 1 | 7713405 | 0100 |
| 7698455 | 2101 | 7702610 | 0301 | 7713408 | 0613. 1 |
| 7698456 | 1806 | 7702613 | 0602. 1 | 7713412 | 0612 |
| 7698457 | 1806 | 7702631 | 0900 | 7713413 | 0612 |
| 7698458 | 1808 | 7702632 | 0604. 1 | 7713415 | 0603 |
| 7698459 | 1808 | 7702637 | 0604. 1 | 7713416 | 0612 |
| 7698460 | 1806 | | | 7713417 | 0613. 1 |
| 7698461 | 1806 | 7702642 | {0602. 1 | 7713418 | 0612 |
| 7698462 | 1806 | | 0602. 3 | 7713500 | 0608 |
| 7698463 | 1806 | 7702645 | 0602. 1 | 7713588 | 0607 |
| 7698464 | 1804 | | 0602. 3 | 7713757 | 0613. 1 |
| 7698465 | 1805 | 7702646 | {0602. 1 | 7713899 | 0601. 3 |
| 7698466 | 1805 | | 0602. 3 | 7713900 | 0601. 3 |
| 7698467 | 1805 | 7702662 | 0602. 3 | 7713901 | 0601. 3 |
| 7698468 | 1804 | 7702663 | 0602. 3 | 7713902 | 0601. 3 |
| 7698469 | 1804 | 7702664 | 0602. 3 | 7713903 | 0601. 3 |
| 7698470 | 1804 | 7702665 | {0602. 1 | 7713904 | 0613. 1 |
| 7698471 | 1804 | | 0602. 3 | 7713904 | 0613. 1 |
| 7698472 | 1804 | 7702666 | 0602. 1 | 7717241 | 0100 |
| 7698473 | 1804 | 7702730 | 0601. 3 | 7721446 | 2201 |
| 7698474 | 1808 | 7702733 | 0301 | 7721596 | 0601. 3 |
| 7698475 | 1804 | | | 7734191 | 0603 |
| 7698476 | 2201 | 7702739 | {0602. 1 | 7734194 | 0603 |
| 7698477 | 2201 | | 0602. 3 | 7734206 | 1000 |
| 7698478 | 2201 | 7702743 | 1201. 1 | 7734389 | 0601. 1 |
| 7698479 | 2201 | 7702744 | 1201. 1 | 7734390 | 1006 |
| 7698480 | 2201 | 7702745 | 1201. 1 | 7734419 | 0401 |
| 7698481 | 2101 | 7703114 | 1604 | 7734710 | 0501 |
| 7698482 | 2101 | 7703774 | 0309 | 7734834 | 0601. 1 |
| 7698483 | 2201 | 7703778 | 0602. 3 | 7740511 | 1806 |
| 7698484 | 2201 | 7703783 | 0601. 1 | 7740517 | 0615 |
| 7698485 | 1804 | 7703974 | 1100 | 7740789 | 1204. 3 |
| 7698486 | 1805 | 7703975 | 0106. 2 | 7740808 | 1501 |
| 7698487 | 1805 | 7703977 | 0309 | 7740835 | 1804 |
| 7698488 | 1804 | 7704013 | 0312 | 7741329 | 1806 |
| 7698489 | 1808 | 7704014 | 0613. 1 | 7741330 | 1806 |
| 7698490 | 1808 | 7704015 | 0608 | 7741398 | 0704 |
| 7698604 | 0302 | 7704100 | 0104. 1 | 7741406 | 0105. 4 |
| 7698615 | 0301 | 7704110 | 0401 | 7741407 | 0105. 3 |
| 7699040 | 0102 | 7707535 | 0602. 3 | 7741408 | 0105. 3 |
| 7701013 | 0108 | 7712500 | 0104. 1 | 7741409 | 0105. 4 |
| 7701326 | 0501 | 7713376 | 0612 | 7741410 | 0106. 1 |
| 7701327 | 0501 | 7713377 | 0605 | 7741411 | 0101 |
| 7701328 | 1800 | 7713379 | 0605 | 7741412 | 0101 |
| 7701460 | 0304 | 7713380 | 0601. 3 | 7741414 | 0105. 4 |
| 7701461 | 0304 | 7713381 | 0615 | 7741415 | 0105. 4 |
| 7701926 | 0601. 1 | 7713384 | 0615 | 7741416 | 0104. 1 |
| 7702464 | 0604. 1 | 7713385 | 0601. 3 | 7741417 | 0104. 1 |
| 7702465 | 0900 | 7713387 | 0612 | 7741418 | 0105. 3 |
| | | 7713389 | 0612 | 7741419 | {0105. 4 |
| 7702474 | {0602. 1 | 7713390 | 0102 | | 0106. 1 |
| | 0602. 3 | 7713391 | 0601. 3 | 7741420 | 0105. 1 |
| 7702475 | 0602. 1 | 7713392 | 0505 | 7741421 | 0105. 1 |
| 7702476 | 0602. 1 | 7713393 | 0615 | 7741423 | 0201 |
| 7702478 | 0601. 3 | 7713394 | 0615 | 7741424 | 0201 |
| 7702479 | 0602. 1 | 7713395 | 0601. 3 | 7741425 | 0103 |
| 7702535 | 0602. 1 | 7713396 | 0608 | 7741426 | 0105. 4 |
| 7702557 | 0306 | 7713397 | 0612 | 7741427 | 0105. 4 |
| | | 7713398 | 0100 | | |

ORDNANCE AND MANUFACTURERS' PART NUMBER INDEX—Continued

| NUMBER | GROUP | NUMBER | GROUP | NUMBER | GROUP |
|---------|---------|---------|---------|-----------------------|-----------|
| 7741429 | 1703 | 7743876 | 1701 | 7744588 | 0301 |
| 7741430 | 1703 | 7743877 | 1701 | 7744589 | 0301 |
| 7741431 | 2101 | 7743886 | 0301 | 7744948 | { 1102 |
| 7741432 | 2101 | 7744102 | 0603 | | { 1002 |
| 7741978 | 1808 | 7744158 | 0106. 2 | 7744949 | 0104. 1 |
| 7743508 | 2201 | 7744196 | 0605 | 7744950 | 0104. 1 |
| 7743509 | 2201 | 7744207 | 1806 | 7744951 | 0104. 1 |
| 7743516 | 0612 | 7744208 | 1806 | 7744952 | 0104. 1 |
| 7743527 | 0613. 1 | 7744210 | 1806 | 7767292 | 1806 |
| 7743536 | 2201 | 7744246 | 0105. 3 | 7767293 | 1401. 1 |
| 7743537 | 0106. 2 | 7744253 | 1805 | 7768200 | 2210 |
| 7743538 | 2201 | 7744267 | 0106. 1 | 7744983 | 0501 |
| 7743560 | 2201 | 7744255 | 2208. 1 | FM-78-10212A | 0601. 1 |
| 7743569 | 0105. 2 | 7744273 | 0800 | WG-T84H137-12 | 0702. 2 |
| 7743570 | 1806 | 7744275 | 0302 | BX-901138K6 | 1201. 2 |
| 7743571 | 1806 | 7744283 | 0603 | BX-901835K6 | 1201. 2 |
| 7743589 | 1501 | 7744319 | 0105. 3 | FM-GPW11111238 | 1804 |
| 7743652 | 0802. 1 | 7744320 | 0105. 3 | FM-GPW1111286A3 | 0704 |
| 7743664 | 1804 | 7744324 | 0106. 1 | FM-351025S7-8 | 0101 |
| 7743681 | 0611 | 7744325 | 1204. 1 | FM-352692S15 | 1804 |
| 7743691 | 1501 | 7744326 | 1204. 1 | FM-35548557 | 0603 |
| 7743726 | 0309 | 7744327 | 1204. 3 | FM-356134S18 | 0802. 1 |
| 7743730 | 0306 | 7744328 | 0501 | FM-357553S18 | 1201. 1 |
| 7743738 | 0702. 3 | 7744331 | 0106. 1 | 45-V-18-129-3 | 0900 |
| 7743751 | 0104. 1 | 7744332 | 0106. 1 | 45-F-406-150 | 0804 |
| 7743752 | 0104. 1 | 7744333 | 0106. 1 | 45-F-448-200 | { 1204. 1 |
| 7743757 | 0312 | 7744365 | 0613. 1 | | { 1401 |
| 7743777 | 0100 | 7744399 | 1808 | { 1601. 1 | |
| 7743811 | 2210 | 7744463 | 0603 | SW-777F1-1038 | { 0802. 5 |
| 7743812 | 1604 | 7744469 | 0102 | { 2208. 1 | |
| 7743813 | 1808 | 7744470 | 0102 | FM-81W811189 | 1804 |
| 7743818 | 0102 | 7744471 | 0104. 1 | FM-G8T8103074B | 1804 |
| 7743844 | 1804 | 7744472 | 0104. 1 | 22-W1631-110 | 0804 |
| 7743846 | 1701 | 7744473 | 0102 | FM-99W8103311 | 1804 |
| 7743847 | 1701 | 7744493 | 1204. 1 | SP-18-362-4-5866X | 0802. 3 |
| 7743848 | 1701 | 7744585 | 1501 | SP-K2-62-210-212-1718 | 0900 |
| 7743849 | 1701 | 7744586 | 0106. 1 | SP-K2-62-210-212-1907 | 0900 |
| 7743875 | 1701 | | | | |

STOCK NUMBER INDEX

This index includes three types of stock numbers which are not intermixed—the SNL prefix type, the stock class code (manufacturer's numerical symbol) prefix type, and Federal stock numbers. These numbers are each arranged numerically by types. H, J, and K group numbers are not included generally in this index because they refer to standard items which may appear in various groups or already have a common application in the supply system for standard matériel and are not necessarily peculiar within an index of this kind.

| NUMBER | GROUP | NUMBER | GROUP | NUMBER | GROUP |
|--------------|---------|--------------|---------|--------------|---------|
| G057-0124276 | 1204. 1 | G116-0401031 | 2208. 1 | G154-0384602 | 0702. 3 |
| G067-0904740 | 0603 | G116-1781899 | 0601. 1 | G154-0443031 | 0702. 3 |
| G067-0904880 | 0603 | G116-1843100 | 0604. 1 | G154-0443057 | 0702. 3 |
| G067-0905370 | 0601. 3 | G116-1845184 | 0604. 1 | G158-6578296 | 1808 |
| G067-0905560 | 0603 | G121-0110500 | 0601. 1 | G160-0126260 | 0611 |
| G067-1200785 | 0603 | G121-0115950 | 0601. 1 | G160-0232827 | 0601. 3 |
| G067-6167649 | 0603 | G121-0127843 | 0601. 1 | G160-0389772 | 0804 |
| G085-0100660 | 0302 | G121-0127846 | 0601. 1 | G162-1583745 | 0106. 2 |
| G085-1100877 | 0601. 1 | G121-0131432 | 0601. 1 | G170-0392287 | 0202 |
| G085-1100878 | 0601. 1 | G121-0139650 | 0601. 1 | G179-5307552 | 0900 |
| G085-1101840 | 0201 | G121-0139665 | 0601. 1 | G179-5346854 | 0302 |
| G085-1102402 | 2208. 1 | G121-0155535 | 0609. 1 | G179-6266177 | 0702. 2 |
| G085-1305451 | 0601. 1 | G121-0193758 | 0601. 1 | G179-7062001 | 1503 |
| G085-1414736 | 0302 | G121-0194050 | 0607 | G179-7062002 | 1503 |
| G085-2102215 | 0608 | G121-0205450 | 0601. 1 | G240-7326315 | 1503 |
| G085-2212230 | 0900 | G121-0211480 | 0601. 1 | G240-7326316 | 1503 |
| G085-2215605 | 0612 | G121-0211490 | 0601. 1 | G501-5262210 | 0501 |
| G085-2219065 | 1204. 3 | G121-0232730 | 0601. 1 | G501-5291728 | 0309 |
| G085-2221780 | 1204. 2 | G121-0232740 | 0601. 1 | G501-7002108 | 0309 |
| G085-2266530 | 0601. 1 | G121-0232750 | 0601. 1 | G502-0110521 | 0601. 3 |
| G085-2319320 | 1202 | G121-0273850 | 0601. 1 | G502-0139775 | 0602. 1 |
| G085-2320185 | 1202 | G121-0340277 | 0604. 1 | G502-0139776 | 0602. 1 |
| G085-2341480 | 0601. 1 | G121-0340306 | 0604. 1 | G502-0139777 | 0602. 1 |
| G085-2371582 | 1401 | G121-0340310 | 0601. 1 | G502-0211410 | 0601. 3 |
| G085-3000180 | 0302 | G121-0342310 | 0601. 1 | G502-0340221 | 0601. 3 |
| G085-3000880 | 0302 | G121-0342320 | 0601. 1 | G502-0342415 | 0601. 3 |
| G085-3001540 | 0309 | G121-0367250 | 0602. 1 | G502-0398792 | 0601. 3 |
| G085-3002100 | 0301 | G121-0367615 | 0601. 1 | G502-5175280 | 0601. 3 |
| G085-3002220 | 0302 | G121-0389890 | 0604. 1 | G502-5175281 | 0601. 3 |
| G085-3002280 | 0309 | G121-0442944 | 0601. 1 | G502-5175282 | 0601. 3 |
| G085-3002300 | 0309 | G121-0442945 | 0601. 1 | G502-5175377 | 0601. 3 |
| G085-3002320 | 0309 | G121-0442947 | 0601. 1 | G502-5292976 | 0302 |
| G085-3003100 | 0302 | G121-0442956 | 0601. 1 | G502-5346490 | 0602. 3 |
| G085-3003640 | 0302 | G125-0882589 | 0301 | G502-6167555 | 0601. 3 |
| G085-3004580 | 0302 | G134-0340397 | 0101 | G502-6167562 | 0601. 3 |
| G085-3004880 | 0302 | G134-0340460 | 1204. 1 | G502-6167566 | 0601. 1 |
| G085-3004900 | 0301 | G147-0118049 | 0900 | G502-6167569 | 0601. 3 |
| G085-3004960 | 0301 | G154-0118006 | 0702. 2 | G502-6167570 | 0601. 3 |
| G085-3005000 | 0301 | G154-0128020 | 0702. 3 | G502-6167571 | 0601. 3 |
| G085-3005020 | 0301 | G154-0128027 | 0702. 3 | G502-6167573 | 0601. 3 |
| G085-3005380 | 0309 | G154-0140061 | 0702. 3 | G502-6167576 | 0601. 3 |
| G085-3005760 | 0302 | G154-0140096 | 0602. 1 | G502-6167578 | 0601. 3 |
| G085-3005780 | 0309 | G154-0279846 | 0702. 1 | G502-6167581 | 0601. 3 |
| G085-3005920 | 0301 | G154-0340207 | 0702. 3 | G502-6167583 | 0601. 3 |
| G102-5322952 | 1401. 1 | G154-0367641 | 0702. 2 | G502-6167584 | 0601. 3 |
| G104-1842779 | 0602. 1 | G154-0369905 | 0702. 2 | G502-6167587 | 0601. 3 |
| G116-0400320 | 0601. 1 | G154-0369909 | 0702. 2 | G502-6167602 | 0601. 3 |
| G116-0400771 | 0607 | G154-0382810 | 0702. 1 | G502-6167603 | 0601. 3 |

STOCK NUMBER INDEX—Continued

| NUMBER | GROUP | NUMBER | GROUP | NUMBER | GROUP |
|--------------|----------|--------------|----------|--------------|----------|
| G502-6167605 | 0601. 3 | G503-0217821 | 1204. 3 | G503-6167634 | 0603 |
| G502-6167606 | 0601. 3 | G503-0217822 | 0503 | G503-6167636 | 0603 |
| G502-6167607 | 0601. 3 | G503-0232469 | 0607 | G503-6167645 | 0603 |
| G502-6167610 | 0601. 3 | G503-0295835 | 0603 | G503-6167650 | 0603 |
| G502-7001046 | 0602. 3 | G503-0295838 | 0603 | G503-6167661 | 0603 |
| G502-7010671 | 0602. 1 | G503-0314838 | 1311 | G503-7002601 | 0704 |
| G502-7016453 | 0601. 3 | G503-0314839 | {1311 | G503-7002980 | 2202. 1 |
| G502-7329386 | 0604. 1 | | 1504 | G503-7002981 | 2202. 1 |
| G502-7337026 | 0601. 1 | G503-0314840 | 1311 | G503-7002982 | 2202. 1 |
| G502-7702478 | 0601. 3 | G503-0325902 | 0608 | G503-7010485 | 0304 |
| G502-7702535 | 0602. 3 | G503-0340661 | 0106. 6 | G503-7010486 | 0304 |
| G502-7702632 | 0604. 1 | G503-0345876 | 0302 | G503-7010624 | 0609. 1 |
| G502-7702637 | 0604. 1 | G503-0345896 | 0504 | G503-7010675 | 0601. 1 |
| G502-7702662 | 0602. 3 | G503-0373269 | 1401 | G503-7036544 | 0802. 3 |
| G502-7702663 | 0602. 3 | G503-0373270 | 1401 | G503-7036567 | 1401 |
| G502-7702655 | {0602. 1 | G503-0373279 | 1401 | G503-7036571 | 0105. 4 |
| | 0602. 3 | G503-0373638 | 0604. 1 | G503-7036572 | 0105. 4 |
| G502-7702664 | 0602. 3 | G503-0384600 | 2208. 1 | G503-7036573 | 2202. 1 |
| G502-7702739 | 0602. 1 | G503-0384601 | 1102 | G503-7036574 | 0105. 4 |
| G502-7703778 | {0602. 1 | G503-0384602 | 1102 | G503-7036575 | 0304 |
| | 0602. 3 | G503-0389782 | 1202 | G503-7036577 | 0505 |
| G502-7707535 | 0602. 3 | G503-0389783 | {1204. 1 | G503-7036578 | 0106. 6 |
| G503-0124253 | 1311 | | 0202 | G503-7036579 | 0105. 1 |
| G503-0125800 | 1202 | G503-0389784 | 1601 | G503-7036580 | 0105. 1 |
| G503-0125801 | 1202 | G503-0389793 | 1601 | G503-7036582 | 0608 |
| G503-0125900 | 0608 | G503-0389892 | 1601 | G503-7036583 | 0900 |
| G503-0125901 | 0608 | G503-0393787 | 0603 | G503-7036584 | 1401 |
| G503-0131476 | 0105. 3 | G503-0393790 | 0608 | G503-7036585 | 1401 |
| G503-0131548 | 0604. 1 | G503-0400093 | 0503 | G503-7036586 | 1401 |
| G503-0131549 | 0501 | G503-0407836 | 0306 | G503-7036587 | 1401 |
| G503-0131592 | 0301 | G503-0407837 | 0106. 6 | G503-7036588 | 1401 |
| G503-0131675 | 0800 | G503-5214776 | 0804 | G503-7036866 | 0608 |
| G503-0132455 | 0106. 6 | G503-5214784 | 0804 | G503-7037380 | 0608 |
| G503-0139784 | 0605 | G503-5214819 | 0801 | G503-7044232 | {0802. 5 |
| G503-0139920 | 0306 | G503-5214870 | 0801 | | 2208. 1 |
| G503-0145853 | 1204. 1 | G503-5215019 | 0603 | G503-7058922 | 0615 |
| G503-0145854 | 1204. 2 | G503-5215030 | 0603 | G503-7058923 | 0615 |
| G503-0145855 | 1204. 2 | G503-5215033 | 0603 | G503-7058924 | 0615 |
| G503-0152015 | 0604. 1 | G503-5226157 | 0900 | G503-7058927 | 0615 |
| G503-0169093 | 0304 | G503-5244794 | 0613. 1 | G503-7058931 | 0615 |
| G503-0169094 | 0304 | G503-5250653 | 0605 | G503-7058932 | 0615 |
| G503-0183053 | 0309 | G503-5261672 | 0302 | G503-7088715 | 1604 |
| G503-0194016 | 0504 | G503-5276834 | 1204. 1 | G503-7088755 | 0608 |
| G503-0194018 | 0101 | G503-5281411 | 0301 | G503-7089574 | 0201 |
| G503-0194021 | 0108 | G503-5281457 | 0301 | G503-7099459 | 1804 |
| G503-0194022 | 0105. 1 | G503-5291275 | 0603 | G503-7099460 | 2202. 2 |
| G503-0194025 | 0306 | G503-5293022 | 0301 | G503-7099461 | 2202. 2 |
| G503-0194030 | 0503 | G503-5293029 | 0301 | G503-7099792 | 0304 |
| G503-0194032 | 0105. 1 | G503-5293042 | 0301 | G503-7099909 | 1504 |
| G503-0194033 | 0106. 2 | G503-5293047 | 0301 | G503-7324684 | 0603 |
| G503-0194034 | 0301 | G503-5293071 | 0301 | G503-7324773 | 1804 |
| G503-0194063 | 0306 | G503-5296576 | 0702. 1 | G503-7324775 | 1804 |
| G503-0196299 | 0601. 1 | G503-5307178 | 0900 | G503-7324834 | 1204. 1 |
| G503-0211410 | 0609. 1 | G503-5307281 | 0604. 1 | G503-7324836 | 2202. 1 |
| G503-0211411 | 0609. 1 | G503-5307289 | 0900 | G503-7324837 | 0304 |
| G503-0217815 | 0106. 6 | G503-5307421 | 0702. 2 | G503-7324838 | 0105. 1 |
| G503-0217816 | 0106. 6 | G503-5333811 | 0101 | G503-7324839 | 0105. 1 |
| G503-0217817 | 0503 | G503-5381088 | 0608 | G503-7324840 | {0103 |
| G503-0217818 | 0503 | G503-5700002 | 2202. 1 | | 0104 |
| G503-0217819 | 1204. 3 | G503-5700003 | 2202. 1 | G503-7324844 | 0608 |
| G503-0217820 | 1204. 3 | G503-6151311 | 0603 | G503-7324847 | 1804 |

STOCK NUMBER INDEX—Continued

| NUMBER | GROUP | NUMBER | GROUP | NUMBER | GROUP |
|--------------|---------|--------------|---------|--------------|---------|
| G503-7324848 | 1804 | G503-7368268 | 0306 | G503-7698455 | 2101 |
| G503-7324849 | 1401. 1 | G503-7368269 | 0306 | G503-7698456 | 1806 |
| G503-7324850 | 0800 | G503-7368270 | 0306 | G503-7698457 | 1806 |
| G503-7324851 | 1201 1 | G503-7368271 | 0306 | G503-7698458 | 1808 |
| G503-7324852 | 1201. 1 | G503-7368272 | 0306 | G503-7698459 | 1808 |
| | 1201. 2 | G503-7368273 | 0306 | G503-7698460 | 1806 |
| G503-7324874 | 0104. 1 | G503-7368274 | 0306 | G503-7698461 | 1806 |
| G503-7324917 | 1201. 1 | G503-7368275 | 0306 | G503-7698462 | 1806 |
| G503-7324918 | 1201. 1 | G503-7520047 | 1202 | G503-7698463 | 1806 |
| G503-7324920 | 1004 | G503-7697848 | 1601. 1 | G503-7698464 | 1804 |
| G503-7326117 | 0106. 6 | G503-7697850 | 1602 | G503-7698465 | 1805 |
| G503-7326118 | 0202 | G503-7697851 | 1703 | G503-7698466 | 1805 |
| G503-7326119 | 1804 | G503-7697852 | 0609. 1 | G503-7698467 | 1805 |
| | 2201 | G503-7697853 | 0612 | G503-7698468 | 1804 |
| G503-7329276 | 0104 | G503-7697854 | 1501 | G503-7698469 | 1804 |
| G503-7329277 | 0104 | G503-7697855 | 1201. 1 | G503-7698470 | 1804 |
| G503-7329586 | 0106. 5 | G503-7697856 | 2210 | G503-7698471 | 1804 |
| G503-7330714 | 0104 | G503-7697858 | 0609. 1 | G503-7698472 | 1804 |
| G503-7332019 | 0401 | G503-7697859 | 0609. 1 | G503-7698473 | 1804 |
| G503-7335115 | 2201 | G503-7697860 | 1604 | G503-7698474 | 1808 |
| G503-7335119 | 2201 | G503-7697861 | 1601. 1 | G503-7698475 | 1804 |
| G503-7335135 | 2201 | G503-7697862 | 1601. 1 | G503-7698476 | 2201 |
| G503-7335147 | 2201 | G503-7697863 | 0501 | G503-7698477 | 2201 |
| G503-7335148 | 2201 | G503-7697865 | 0613. 1 | G503-7698478 | 2201 |
| G503-7336451 | 0102 | G503-7697866 | 0613. 1 | G503-7698479 | 2201 |
| G503-7337558 | 0615 | G503-7697867 | 0607 | G503-7698480 | 2201 |
| G503-7338861 | 1006 | G503-7697868 | 1501 | G503-7698481 | 2101 |
| G503-7340237 | 1204. 1 | G503-7697869 | 0401 | G503-7698482 | 2101 |
| G503-7341364 | 0607 | | 1501 | G503-7698483 | 2201 |
| G503-7341366 | 0603 | G503-7697870 | 1501 | G503-7698484 | 2201 |
| G503-7341765 | 1501 | G503-7697871 | 1204. 3 | G503-7698485 | 1804 |
| G503-7341766 | 1501 | G503-7697872 | 1204. 3 | G503-7698486 | 1805 |
| G503-7341767 | 1501 | G503-7697873 | 1204. 1 | G503-7698487 | 1805 |
| G503-7341768 | 1501 | G503-7697874 | 1204. 1 | G503-7698488 | 1804 |
| G503-7341775 | 0613. 1 | G503-7697875 | 1602 | G503-7698489 | 1808 |
| G503-7341800 | 1312 | G503-7697876 | 0609. 1 | G503-7698490 | 1808 |
| G503-7341811 | 1808 | G503-7698204 | 0605 | G503-7698615 | 0301 |
| G503-7343030 | 1401. 1 | G503-7698430 | 1804 | G503-7699040 | 0102 |
| G503-7343032 | 1604 | G503-7698431 | 1804 | G503-7701013 | 0108 |
| G503-7343076 | 1601. 1 | G503-7698432 | 1804 | G503-7701326 | 0501 |
| G503-7343079 | 0104. 1 | G503-7698433 | 1808 | G503-7701327 | 0501 |
| G503-7343086 | 0613. 1 | G503-7698434 | 1806 | G503-7701328 | 1800 |
| | 0306 | G503-7698435 | 1806 | G503-7701460 | 0304 |
| G503-7343162 | 0101 | G503-7698436 | 1808 | G503-7701461 | 0304 |
| G503-7343368 | 0301 | G503-7698437 | 1808 | G503-7702465 | 0900 |
| G503-7361993 | 1808 | G503-7698438 | 1703 | G503-7702557 | 0306 |
| G503-7361994 | 1805 | G503-7698439 | 1703 | G503-7702564 | 0106. 2 |
| G503-7362105 | 0504 | G503-7698440 | 1804 | G503-7702591 | 0900 |
| G503-7367859 | 1401. 1 | | 2201 | G503-7702610 | 0301 |
| G503-7367861 | 1006 | G503-7698441 | 1808 | G503-7702631 | 0900 |
| | 0900 | G503-7698442 | 1806 | G503-7702733 | 0301 |
| G503-7368257 | 0312 | G503-7698443 | 1806 | G503-7702743 | 1201. 1 |
| G503-7368258 | 0312 | G503-7698444 | 1806 | G503-7702744 | 1201. 1 |
| G503-7368259 | 0312 | G503-7698445 | 1806 | G503-7702745 | 1201. 1 |
| G503-7368260 | 0202 | G503-7698447 | 2201 | G503-7703114 | 1604 |
| G503-7368262 | 0202 | G503-7698448 | 1501 | G503-7703783 | 0601. 1 |
| G503-7368263 | 0306 | G503-7698449 | 1501 | G503-7703974 | 1100 |
| G503-7368264 | 0306 | G503-7698450 | 1501 | G503-7703975 | 0106. 2 |
| G503-7368265 | 0100 | G503-7698451 | 2101 | G503-7703977 | 0309 |
| G503-7368266 | 0105. 1 | G503-7698452 | 1808 | G503-7704013 | 0312 |
| G503-7368267 | 0106. 6 | G503-7698454 | 2101 | G503-7704014 | 0613. 1 |

STOCK NUMBER INDEX—Continued

| NUMBER | GROUP | NUMBER | GROUP | NUMBER | GROUP |
|--------------|------------------|--------------|---------|--------------|---------------------|
| G503-7704015 | 0608 | G503-7741427 | 0105. 4 | G503-7744325 | 1204. 1 |
| G503-7704100 | 0104. 1 | G503-7741429 | 1703 | G503-7744326 | 1204. 1 |
| G503-7704110 | 0401 | G503-7741430 | 1703 | G503-7744327 | 1204. 3 |
| G503-7712500 | 0104. 1 | G503-7741431 | 2101 | G503-7744328 | 0501 |
| G503-7713377 | 0605 | G503-7741432 | 2101 | G503-7744331 | 0106. 1 |
| G503-7713379 | {0605 0613. 1 | G503-7743368 | 0301 | G503-7744332 | 0106. 1 |
| G503-7713387 | 0612 | G503-7743508 | 2201 | G503-7744333 | 0106. 1 |
| G503-7713390 | 0102 | G503-7743509 | 2201 | G503-7744365 | 0613. 1 |
| G503-7713391 | 0601. 3 | G503-7743516 | 0612 | G503-7744399 | 1808 |
| G503-7713392 | 0505 | G503-7743527 | 0613. 1 | G503-7744463 | 0603 |
| G503-7713393 | 0615 | G503-7743536 | 2202. 1 | G503-7744469 | 0102 |
| G503-7713394 | 0615 | G503-7743537 | 0106. 2 | G503-7744470 | 0102 |
| G503-7713396 | 0608 | G503-7743538 | 2201 | G503-7744471 | 0104. 1 |
| G503-7713397 | 0612 | G503-7743560 | 2201 | G503-7744472 | 0104. 1 |
| G503-7713401 | 0601. 3 | G503-7743569 | 0105. 2 | G503-7744473 | 0102 |
| G503-7713402 | 0505 | G503-7743570 | 1806 | G503-7744493 | 1204. 1 |
| G503-7713415 | 0603 | G503-7743571 | 1806 | G503-7744585 | 1501 |
| G503-7713416 | 0612 | G503-7743652 | 0802. 1 | G503-7744586 | 0106. 1 |
| G503-7713418 | 0612 | G503-7743664 | 1804 | G503-7744588 | 0301 |
| G503-7713588 | 0607 | G503-7743681 | 0611 | G503-7744589 | 0301 |
| G503-7713899 | 0601. 3 | G503-7743691 | 1501 | G503-7744836 | 2202. 1 |
| G503-7713900 | 0601. 3 | G503-7743726 | 0309 | G503-7744948 | {1102 1002 |
| G503-7713901 | 0601. 3 | G503-7743730 | 0306 | G503-7744949 | 0104. 1 |
| G503-7713902 | 0601. 3 | G503-7743738 | 0702. 3 | G503-7744950 | 0104. 1 |
| G503-7713904 | 0613. 1 | G503-7743751 | 0104. 1 | G503-7744951 | 0104. 1 |
| G503-7717241 | 0100 | G503-7743752 | 0104. 1 | G503-7744952 | 0104. 1 |
| G503-7721446 | 2201 | G503-7743757 | 0312 | G503-7744982 | 0501 |
| G503-7734191 | 0603 | G503-7743777 | 0100 | G503-7767292 | 1806 |
| G503-7734194 | 0603 | G503-7743811 | 2210 | G503-7767293 | 1401. 1 |
| G503-7734206 | 1000 | G503-7743812 | 1604 | G503-7768200 | 2210 |
| G503-7734389 | 0601. 1 | G503-7743813 | 1808 | G504-7089882 | 0611 |
| G503-7734390 | 1006 | G503-7743818 | 0102 | G505-0131799 | 0603 |
| G503-7734419 | 0401 | G503-7743844 | 1804 | G505-0156045 | 0603 |
| G503-7740511 | 1806 | G503-7743846 | 1701 | G505-0156055 | 0802. 5 |
| G503-7740517 | 0615 | G503-7743847 | 1701 | G505-0179571 | 0603 |
| G503-7740789 | 1204. 3 | G503-7743848 | 1701 | G505-0179982 | 0603 |
| G503-7740808 | 1501 | G503-7743849 | 1701 | G505-0365732 | 0603 |
| G503-7740835 | 1804 | G503-7743875 | 1701 | G505-0579385 | 0603 |
| G503-7741329 | 1806 | G503-7743876 | 1701 | G505-0666927 | 0603 |
| G503-7741330 | 1806 | G503-7743877 | 1701 | G505-0666927 | 0601. 3 |
| G503-7741398 | 0704 | G503-7743886 | 0301 | G505-5175240 | 0604. 1 |
| G503-7741406 | 0105. 4 | G503-7744101 | 0603 | G505-5346771 | 0603 |
| G503-7741407 | 0105. 3 | G503-7744102 | 0603 | G505-6167638 | 0603 |
| G503-7741408 | 0105. 3 | G503-7744108 | 0106. 2 | G505-6167640 | 0603 |
| G503-7741409 | 0105. 4 | G503-7744158 | 0605 | G505-7701926 | 0601. 1 |
| G503-7741410 | 0106. 1 | G503-7744196 | 1806 | G505-7702730 | 0601. 3 |
| G503-7741411 | 0101 | G503-7744206 | 1806 | G507-0367615 | 0602. 3 |
| G503-7741412 | 0101 | G503-7744207 | 1806 | G507-0367616 | {0602. 1 0602. 3 |
| G503-7741414 | 0105. 4 | G503-7744208 | 1806 | G507-5175283 | {0601. 3 0602. 1 |
| G503-7741415 | 0105. 4 | G503-7744209 | 1806 | G507-5175364 | 0604. 1 |
| G503-7741416 | 0104. 1 | G503-7744246 | 0105. 3 | G507-5307283 | 0604. 1 |
| G503-7741417 | 0104. 1 | G503-7744283 | 0603 | G507-5308240 | {0601. 3 0601. 1 |
| G503-7741418 | 0105. 3 | G503-7744210 | 1806 | G507-5308275 | 0603 |
| G503-7741419 | 0105. 4 | G503-7744253 | 1805 | G507-5346740 | 0301 |
| G503-7741420 | 0105. 1 | G503-7744255 | 2208. 1 | G507-5346767 | 0604. 1 |
| G503-7741421 | 0105. 1 | G503-7744267 | 0106. 1 | G507-5346768 | 0604. 1 |
| G503-7741423 | 0201 | G503-7744273 | 0800 | G507-5346774 | 0604. 1 |
| G503-7741424 | 0201 | G503-7744275 | 0302 | G507-5346775 | 0604. 1 |
| G503-7741425 | 0103 | G503-7744283 | 0603 | | |
| G503-7741426 | 0105. 4 | G503-7744283 | 0603 | | |
| | | G503-7744319 | 0105. 3 | | |
| | | G503-7744320 | 0105. 2 | | |
| | | G503-7744324 | 0106. 1 | | |

STOCK NUMBER INDEX—Continued

| NUMBER | GROUP | NUMBER | GROUP | NUMBER | GROUP |
|--------------|---------|---------------|---------|-----------------|---------|
| G507-5346776 | 0604. 1 | 0340-14384 | 1601 | 2300-415442 | 0609. 1 |
| G507-5346784 | 0604. 1 | 0340-14385 | 1601 | 2580-1848532 | 0603 |
| G507-5618349 | 0602. 3 | 0340-14386 | 1601 | 2760-5941 | 0605 |
| G507-6167579 | 0601. 1 | 0340-14408 | 1601. 1 | 2980-IAD12 | 0604. 1 |
| | 0601. 3 | 0340-14409 | 1601. 1 | 2980-GEG-31 | 0601. 1 |
| G507-6167596 | 0604. 1 | 0523-TD2817 | 0201 | 2980-EBA46 | 0603 |
| G507-6167639 | 0603 | 0523-TP285-1 | 0201 | 2980-MZ51 | 0603 |
| G507-7324173 | 0604. 1 | 0820-41876 | 1202 | 2980-GDJ73 | 0601. 3 |
| G507-7702464 | 0604. 1 | 0820-45771 | 1202 | 2980-MZ74 | 0603 |
| G507-7702475 | 0602. 1 | 0820-47047 | 1202 | 2980-GBF79 | 0601. 1 |
| | 0604. 1 | 0820-47048 | 1202 | 2980-GCE125 | 0601. 1 |
| G507-7324174 | 0602. 1 | 0820-47050 | 1202 | 2980-IGB202S | 0604. 1 |
| | 0602. 3 | 0820-47051 | 1202 | 2980-IGB350S | 0604. 1 |
| G507-7702476 | 0602. 1 | 0820-47054 | 1202 | 2980-SP443 | 0601. 3 |
| G507-7702479 | 0602. 1 | 0820-47656 | 1201. 2 | 2980-SP484AS | 0601. 1 |
| | 0602. 3 | 0820-47661 | 1201. 2 | 2980-SP484 | 0601. 1 |
| G507-7702608 | 0602. 1 | 0820-47667 | 1201. 2 | 2980-IAD1004 | 0604. 1 |
| G507-7702609 | 0602. 1 | 0820-47668 | 1201. 2 | 2980-MZ1008 | 0603 |
| G507-7702613 | 0602. 1 | 0820-47669 | 1201. 2 | 2980-MZ1009B | 0603 |
| | 0602. 1 | 0820-47670 | 1201. 2 | 2980-MZ1009 | 0603 |
| G507-7702642 | 0602. 3 | 0820-47674 | 1201. 2 | 2980-MZ-1024 | 0603 |
| | 0602. 1 | 0820-47675 | 1201. 2 | 2980-PS1079A | 0603 |
| G507-7702645 | 0602. 3 | 0820-47676 | 1201. 2 | 2980-IGS1080 | 0604. 1 |
| | 0602. 1 | 0820-47677 | 1201. 2 | 2980-SPS1100R | 2208. 1 |
| G507-7702646 | 0602. 3 | 0820-47678 | 1201. 2 | 2980-IGC1132LB | 0604. 1 |
| | 0602. 1 | 1500-1A55 | 0301 | 2980-IG1324D | 0604. 1 |
| G507-7702666 | 0602. 1 | 1500-2-89 | 0301 | 2980-IG1798S | 0605 |
| G508-5160316 | 0900 | 1500-11B35 | 0301 | 2980-IAD2004 | 0604. 1 |
| G508-5160323 | 1204. 1 | 1500-11B79 | 0301 | 2980-IAD2015 | 0604. 1 |
| G508-5214539 | 1204. 1 | 1500-20-26 | 0301 | 2980-MZ2089 | 0603 |
| G508-7000419 | 0608 | 1500-20-61 | 0301 | 2980-GEG2134F | 0601. 1 |
| G508-7362371 | 1204. 1 | 1500-21-74S | 0301 | 2980-IGS2134L | 0604. 1 |
| G508-7703774 | 0309 | 1500-25-93S | 0301 | 2980-IGS2134LA | 0604. 1 |
| G508-7740835 | 1804 | 1500-3-465S | 0301 | 2980-IGS-2135 | 0604. 1 |
| G509-0131990 | 0106. 2 | 1500-43-67 | 0301 | 2980-MZ2156 | 0603 |
| G513-7088753 | 0605 | 1500-6-3125 | 0301 | 2980-IGC2168L | 0604. 1 |
| | 0613. 1 | 1500-7-116S | 0301 | 2980-X2878 | 0604. 1 |
| G518-7000997 | 0106. 2 | 1500-11B105 | 0301 | 2980-IAD4008 | 0604. 1 |
| | 2202. 2 | 1500-11B125S | 0301 | 2980-EBA4611 | 0603 |
| | 2208. 1 | 1500-11B127S | 0301 | 2980-EB8506 | 0603 |
| G518-7001402 | 0605 | 1500-114-21S | 0301 | 2980-EB8507 | 0603 |
| G523-0137984 | 0304 | 1500-121-73 | 0301 | 2980-1100LB1 | 0604. 1 |
| G529-0446892 | 1311 | 1500-12-255 | 0301 | 2980-IAD1100LB1 | 0604. 1 |
| G529-7010531 | 1503 | 1500-14-246S | 0301 | 3320-GPW1027 | 1311 |
| G529-7338991 | 0613. 1 | 1500-146-95S | 0301 | 3320-GPW2250 | 0304 |
| G532-7744158 | 0106. 2 | 1500-150-97 | 0301 | 3320-GPW2263 | 1204. 3 |
| G540-7091769 | 1804 | 1500-150-98 | 0301 | 3320-GPW2264 | 1204. 3 |
| G540-7337495 | 0602. 1 | 1500-53A168S | 0301 | 3320-GPW2265 | 1204. 3 |
| G540-7365352 | 0900 | 1500-53A251S | 0301 | 3320-GPW2266 | 1204. 3 |
| G544-0788832 | 0617 | 1500-61-119 | 0301 | 3320-GPW2267 | 1204. 3 |
| G571-7698344 | 0617 | 1500-61-169 | 0301 | 3320-GPW2268 | 1204. 3 |
| G716-7734834 | 0601. 1 | 1500-61-171 | 0301 | 3320-GPW2298 | 1204. 3 |
| 0040-1521880 | 0302 | 1500-61-190 | 0301 | 3320-GPW2614 | 1201. 2 |
| 0040-1521960 | 0302 | 1500-61272 | 0301 | 3320-GPW2635 | 1201. 1 |
| 0040-1521985 | 0302 | 1500-62-135S | 0301 | 3320-GPW2659 | 1201. 1 |
| 0040-1523744 | 0302 | 1500-75-547 | 0301 | 3320-GPW2774 | 1201. 2 |
| 0040-1538312 | 0302 | 1500-101-150S | 0301 | 3320-GPW2780 | 1201. 1 |
| 0340-14257 | 1601. 1 | 1500-117-106 | 0301 | 3320-GPW2782 | 1201. 1 |
| 0340-14312 | 1601. 1 | 1500-120-151S | 0301 | | 1201. 2 |
| 0340-14313 | 1601. 1 | 2300-CB11200 | 0609. 1 | | |
| 0340-14375 | 1601 | 2300-415342 | 0609. 1 | | |
| 0340-14376 | 1601 | | | | |

STOCK NUMBER INDEX—Continued

| NUMBER | GROUP | NUMBER | GROUP | NUMBER | GROUP |
|---------------|---------|---------------|---------|---------------|---------|
| 3320-GPW2784 | 1201. 2 | 3320-GPW5463 | 1601. 1 | 3320-GPW6308 | 0102 |
| 3320-GPW2793 | 1201. 1 | 3320-GPW5464B | 1601. 1 | 3320-GPW6310 | 0102 |
| 3320-GPW2848 | 1201. 1 | 3320-GPW5468 | 1601. 1 | 3320-GPW6312 | 0102 |
| | 1201. 2 | 3320-GPW5560B | 1601 | 3320-GPW6319 | 0102 |
| 3320-GPW2853 | 1201. 1 | 3320-GPW5564 | 1601 | 3320-GPW6326 | 0102 |
| 3320-GPW2853B | 1201. 2 | 3320-GPW5565 | 1601 | 3320-GPW6331A | 0102. 1 |
| 3320-GPW3131 | 1401 | 3320-GPW5566 | 1601 | 3320-GPW6331B | 0102. 1 |
| 3320-GPW3226 | 1006 | 3320-GPW5587B | 1602 | 3320-GPW6331C | 0102. 1 |
| 3320-GPW3227 | 1006 | 3320-GPW5587 | 1602 | 3320-GPW6331D | 0102. 1 |
| 3320-GPW3304B | 1401 | 3320-GPW5588 | 1602 | 3320-GPW6333A | 0102. 1 |
| 3320-GPW3323 | 1401 | 3320-GPW5590 | 1602 | 3320-GPW6333B | 0102. 1 |
| 3320-GPW3325 | 1004 | 3320-GPW5590B | 1602 | 3320-GPW6333C | 0102. 1 |
| 3320-GPW3327 | 1006 | 3320-GPW5602 | 1602 | 3320-GPW6337A | 0102. 1 |
| | 1501 | 3320-GPW5604 | 1602 | 3320-GPW6337B | 0102. 1 |
| 3320-GPW3509 | 1401. 1 | 3320-GPW5605 | 1602 | 3320-GPW6337C | 0102. 1 |
| 3320-GPW3521 | 1401. 1 | 3320-GPW5607 | 1602 | 3320-GPW6337D | 0102. 1 |
| 3320-GPW3563 | 1401. 1 | 3320-GPW5608 | 1601. 1 | 3320-GPW6338A | 0102. 1 |
| 3320-GPW3590 | 1401. 1 | 3320-GPW5609 | 1602 | 3320-GPW6338B | 0102. 1 |
| 3320-GPW3600A | 1401. 1 | 3320-GPW5610 | 1602 | 3320-GPW6338C | 0102. 1 |
| 3320-GP4533 | 0900 | 3320-GPW5705 | 1601. 1 | 3320-GPW6338D | 0102. 1 |
| 3320-GPW4605 | 0900 | 3320-GPW5705B | 1601. 1 | 3320-GPW6339A | 0102. 1 |
| 3320-GPW4863 | 0802. 3 | 3320-GPW5705C | 1601. 1 | 3320-GPW6339B | 0102. 1 |
| 3320-GPW5019 | 1501 | 3320-GPW5724B | 1601 | 3320-GPW6339C | 0102. 1 |
| 3320-GPW5084 | 0800 | 3320-GPW5724A | 1601 | 3320-GPW6339D | 0102. 1 |
| 3320-GPW5165 | 0612 | 3320-GPW5781 | 1601 | 3320-GPW6341A | 0102. 1 |
| 3320-GPW5230C | 0401. 1 | 3320-GPW6005 | 0100 | 3320-GPW6341B | 0102. 1 |
| 3320-GPW5233 | 0401. 1 | 3320-GPW6016 | 0105. 4 | 3320-GPW6341C | 0102. 1 |
| 3320-GPW5245B | 0401. 1 | 3320-GPW6020 | 0105. 4 | 3320-GPW6342B | 0102 |
| 3320-GPW5246 | 0401 | 3320-GPW6031 | 0105. 4 | 3320-GPW6342A | 0105. 4 |
| 3320-GPW5246B | 0401 | 3320-GPW6038 | 0100 | 3320-GPW6345 | 0102 |
| 3320-GPW5251 | 0401 | 3320-GPW6040A | 0100 | 3320-GPW6353 | 0102 |
| 3320-GPW5251B | 0401. 1 | 3320-GPW6040B | 0100 | 3320-GPW6369 | 0102. 1 |
| 3320-GPW5253 | 0401. 1 | 3320-GPW6043 | 0100 | 3320-GPW6375 | 0103 |
| 3320-GPW5262 | 0401 | 3320-GPW6044 | 0100 | 3320-GPW6384 | 0103 |
| | 0401. 1 | 3320-GPW6050 | 0101 | 3320-GPW6387 | 0103 |
| 3320-GPW5264A | 0401 | 3320-GPW6054 | 0105. 4 | 3320-GPW6390 | 0103 |
| 3320-GPW5264B | 0401 | 3320-GPW6065 | 0101 | 3320-GPW6392 | 0103 |
| | 0401. 1 | 3320-GPW6066 | 0101 | 3320-GPW6500A | 0105. 2 |
| 3320-GPW5265 | 0401. 1 | 3320-GPW6067 | 0101 | 3320-GPW6510B | 0105. 1 |
| 3320-GPW5266 | 0401. 1 | 3320-GPW6105A | 0104 | 3320-GPW6511B | 0105. 1 |
| 3320-GPW5269 | 0401 | 3320-GPW6105C | 0104 | 3320-GPW6513 | 0105. 1 |
| 3320-GPW5270 | 0401 | 3320-GPW6105D | 0104 | 3320-GPW6514 | 0105. 1 |
| | 0401. 1 | 3320-GPW6110C | 0104 | 3320-GPW6520 | 0105. 1 |
| 3320-GPW5274 | 0401 | 3320-GPW6110D | 0104 | 3320-GPW6546 | 0105. 1 |
| | 0401. 1 | 3320-GPW6135A | 0104 | 3320-GPW6549B | 0105. 2 |
| 3320-GPW5283 | 0401 | 3320-GPW6135D | 0104 | 3320-GPW6552B | 0105. 2 |
| | 0401. 1 | 3320-GPW6149E | 0104 | 3320-GPW6600 | 0106. 1 |
| 3320-GPW5298 | 0401 | 3320-GPW6149H | 0104 | 3320-GPW6608 | 0106. 1 |
| 3320-GPW5310B | 1601 | 3320-GPW6200 | 0104. 1 | 3320-GPW6610 | 0106. 1 |
| 3320-GPW5313A | 1601 | 3320-GPW6201 | 0104. 1 | 3320-GPW6614 | 0106. 1 |
| 3320-GPW5315A | 1601 | 3320-GPW6210A | 0104 | 3320-GPW6617 | 0106. 6 |
| 3320-GPW5316B | 1601 | 3320-GPW6211A | 0104. 1 | 3320-GPW6619 | 0106. 1 |
| 3320-GPW5316A | 1601 | 3320-GPW6211B | 0104. 1 | 3320-GPW6625 | 0106. 1 |
| 3320-GPW5333A | 1601 | 3320-GPW6211C | 0104. 1 | 3320-GPW6627 | 0106. 6 |
| 3320-GPW5333B | 1601 | 3320-GPW6243 | 0105. 3 | 3320-GPW6628 | 0106. 1 |
| 3320-GPW5337 | 1501 | 3320-GPW6244 | 0105. 3 | 3320-GPW6630 | 0106. 1 |
| 3320-GPW5345B | 1601 | 3320-GPW6245 | 0105. 3 | 3320-GPW6642 | 0106. 1 |
| 3320-GPW5453 | 1601. 1 | 3320-GPW6262A | 0105. 3 | 3320-GPW6644 | 0106. 1 |
| 3320-GPW5453B | 1601. 1 | 3320-GPW6269 | 0105. 4 | 3320-GPW6648 | 0106. 5 |
| 3320-GPW5455B | 1601. 1 | 3320-GPW6287 | 0102 | 3320-GPW6654 | 0106. 1 |
| 3320-GPW5456 | 1601. 1 | 3320-GPW6288 | 0105. 4 | 3320-GPW6659 | 0106. 1 |

STOCK NUMBER INDEX—Continued

| NUMBER | GROUP | NUMBER | GROUP | NUMBER | GROUP |
|---------------|---------|----------------|---------|----------------|---------|
| 3320-GPW6663 | 0106. 1 | 3320-GPW9237 | 0306 | 3320-GPW11495 | 0312 |
| 3320-GPW6664 | 0106. 1 | 3320-GPW9237B | 0306 | 3320-GPW12091A | 0605 |
| 3320-GPW6673 | 0106. 1 | 3320-GPW9282 | 0306 | 3320-GPW12283 | 0605 |
| 3320-GPW6675 | 0106. 6 | 3320-GPW9316 | 0106. 6 | 3320-GPW12284 | 0605 |
| 3320-GPW6684 | 0106. 1 | 3320-GPW9323 | 0106. 6 | 3320-GPW12286 | 0605 |
| 3320-GPW6700 | 0102 | 3320-GPW9325 | 0106. 6 | 3320-GPW12287 | 0605 |
| 3320-GPW6701 | 0102 | 3320-GPW9369 | 0306 | 3320-GPW12298B | 0605 |
| 3320-GPW6702 | 0102 | 3320-GPW9424 | 0108 | 3320-GPW13075 | 0609. 1 |
| 3320-GPW6710 | 0106. 6 | 3320-GPW9424B | 0108 | 3320-GPW13076 | 0609. 1 |
| 3320-GPW6734 | 0106. 6 | 3320-GPW9426 | 0108 | 3320-GPW13150 | 0609. 1 |
| 3320-GPW6756 | 0106. 5 | 3320-GPW9428 | 0108 | 3320-GPW13150C | 0609. 1 |
| 3320-GPW6758B | 0106. 5 | 3320-GPW9435 | 0108 | 3320-GPW13175C | 0609. 1 |
| 3320-GPW6762 | 0106. 5 | 3320-GPW9443 | 0108 | 3320-GPW13209B | 0609. 1 |
| 3320-GPW6763A | 0106. 6 | 3320-GPW9447 | 0301 | 3320-GPW13410 | 0609. 1 |
| 3320-GPW6763C | 0106. 6 | 3320-GPW9450 | 0401 | 3320-GPW13710 | 0607 |
| 3320-GPW6766C | 0106. 6 | 3320-GPW9456 | 0108 | 3320-GPW13802 | 0611 |
| 3320-GPW6769 | 0106. 5 | 3320-GPW9458 | 0108 | 3320-GPW13831 | 0611 |
| 3320-GPW6771 | 0304 | 3320-GPW9460 | 0108 | 3320-GPW14300 | 0613. 1 |
| 3320-GPW6789 | 0106. 6 | 3320-GPW9462 | 0108 | 3320-GPW14300B | 0613. 1 |
| 3320-GPW7007 | 0103 | 3320-GPW9463 | 0108 | 3320-GPW14301 | 0612 |
| 3320-GPW7015 | 0702. 1 | 3320-GPW9465 | 0108 | 3320-GPW14303 | 0615 |
| 3320-GPW7023 | 0105. 4 | 3320-GPW9467 | 0108 | 3320-GPW14305D | 0613. 1 |
| 3320-GPW7092 | 0900 | 3320-GPW9467A | 0108 | 3320-GPW14305 | 0613. 1 |
| 3320-GPW7503 | 0202 | 3320-GPW9484 | 0108 | 3320-GPW14321 | 0605 |
| 3320-GPW7512 | 0202 | 3320-GPW9627A | 0306 | 3320-GPW14401D | 0613. 1 |
| 3320-GPW7515 | 0202 | 3320-GPW9628 | 0304 | 3320-GPW14401F | 0613. 1 |
| 3320-GPW7516 | 0202 | 3320-GPW9632 | 0304 | 3320-GPW14402A | 0613. 1 |
| 3320-GPW7517 | 0202 | 3320-GPW9633 | 0304 | 3320-GPW14402B | 0613. 1 |
| 3320-GPW7518 | 0701 | 3320-GPW9637B | 0304 | 3320-GPW14407A | 0613. 1 |
| 3320-GPW7520 | 0202 | 3320-GPW9637A | 0304 | 3320-GPW14407C | 0613. 1 |
| 3320-GPW7521 | 0202 | 3320-GPW9652B | 0304 | 3320-GPW14407B | 0613. 1 |
| 3320-GPW7530 | 0202 | 3320-GPW9686 | 0304 | 3320-GPW14425 | 0613. 1 |
| 3320-GPW7532 | 0202 | 3320-GPW9686B | 0304 | 3320-GPW14425B | 0613. 1 |
| 3320-GPW7539 | 0202 | 3320-GPW9700 | 0312 | 3320-GPW14431 | 0603 |
| 3320-GPW7545 | 0202 | 3320-GPW9719 | 0312 | | 0613. 1 |
| 3320-GPW7561 | 0202 | 3320-GPW9726 | 0312 | 3320-GPW14432 | 0613. 1 |
| 3320-GPW7562 | 0202 | 3320-GPW9727 | 0312 | 3320-GPW14446 | 0613. 1 |
| 3320-GPW7563 | 0201 | 3320-GPW9730 | 0312 | 3320-GPWS14447 | 0612 |
| 3320-GPW7600 | 0201 | 3320-GPW9731B | 0312 | 3320-GPW14448A | 0608 |
| 3320-GPW7700B | 0800 | 3320-GPW9735A | 0312 | 3320-GPW14448C | 0608 |
| 3320-GPW7704B | 0800 | 3320-GPW9735B | 0312 | 3320-GPW14448D | 0608 |
| 3320-GPW7726 | 0802. 3 | 3320-GPW9737 | 0312 | 3320-GPA14450C | 0612 |
| 3320-GPW7747 | 0802. 3 | 3320-GPW9739 | 0312 | 3320-GPA14451C | 0612 |
| 3320-GPW7768 | 0801 | 3320-GPW9742 | 0312 | 3320-GPW14465 | 0613. 1 |
| 3320-GPW7768B | 0801 | 3320-GPW9752 | 0309 | 3320-GPW14487A | 0613. 1 |
| 3320-GPW7781A | 0800 | 3320-GPW9775B | 0312 | 3320-GPW16892 | 1703 |
| 3320-GPW8005 | 0501 | 3320-GPW9778 | 0312 | 3320-GPW17255 | 2208. 1 |
| 3320-GPW8240 | 0102 | 3320-GPW9795 | 0312 | 3320-GPW18288 | 0102 |
| 3320-GPW8250 | 0503 | 3320-GPW9799 | 0312 | 3320-GPW18289 | 0103 |
| 3320-GPW8269 | 0503 | 3320-GPW10129 | 0601. 1 | 3320-GPW18330A | 0104. 1 |
| 3320-GPW8284 | 0503 | 3320-GPW10143 | 0601. 1 | 3320-GPW18330B | 0104. 1 |
| 3320-GPW8290 | 0503 | 3320-GPW10153A | 0601. 1 | 3320-GPW18330C | 0104. 1 |
| 3320-GPW8505 | 0504 | 3320-GPW10155 | 0601. 1 | 3320-GPW18347 | 0102. 1 |
| 3320-GPW8509A | 0505 | 3320-GPW10162 | 0601. 1 | 3320-GPW18348 | 0102. 1 |
| 3320-GPW8512 | 0504 | 3320-GPW10166 | 0601. 1 | 3320-GPW18349 | 0102. 1 |
| 3320-GPW8524 | 0504 | 3320-GPW10176 | 0601. 1 | 3320-GPW18350 | 0102. 1 |
| 3320-GPW8576 | 0504 | 3320-GPW10177 | 0601. 1 | 3320-GPW18663 | 0106. 2 |
| 3320-GPW8578 | 0503 | 3320-GPW10178A | 0601. 1 | 3320-GPW18840 | 0615 |
| 3320-GPW9002C | 0306 | 3320-GPW11134 | 0603 | 3320-GPW18846 | 0613. 1 |
| 3320-GPW9030B | 0306 | 3320-GPW11140 | 0603 | | 0615 |
| 3320-GPW9211 | 0306 | 3320-GPW11474 | 0312 | 3320-GPW18849 | 0615 |

STOCK NUMBER INDEX—Continued

| NUMBER | GROUP | NUMBER | GROUP | NUMBER | GROUP |
|--------------------|---------|-----------------|---------|---------------|----------|
| 3320-GPW18850 | 0615 | 5960-C5509 | 0201 | 8080-S638 | {1002 |
| 3320-GPW18852 | 0615 | 6960-C5510 | 0201 | | {1102 |
| 3320-GPW18853 | 0615 | 6855-613300 | 0304 | 8080-690W | 0802. 2 |
| 3320-GPW18854 | 0615 | 6855-613306 | 0304 | 8080-710W | 0802. 3 |
| 3320-GPW18857 | 0615 | 7640-T13086 | 1401. 1 | 8080-715W | {0802. 3 |
| 3320-GPW18858 | 0615 | 7640-020122 | 1401. 1 | | {0900 |
| 3320-GPW18859 | 0615 | 7640-021116 | 1401. 1 | 8080-854D | 0804 |
| 3320-GPW18871 | 0615 | 7640-025060 | 1401. 1 | 8080-S953 | 1006 |
| 3320-GPW18872 | 0615 | 7640-026988 | 1401. 1 | 8080-S957 | 1004 |
| 3320-GPW18873 | 0615 | 7640-028093 | 1401. 1 | 8080-10B18 | 1201. 1 |
| 3320-GPW18874 | 0615 | 7640-029046 | 0611 | 8080-10S18 | 1201. 1 |
| 3320-GPW18876B | 0615 | 7640-029049 | 0611 | | {0900 |
| 3320-GPW18876 | 0615 | 7640-033046 | 1401. 1 | 8080-S1056 | {1006 |
| 3320-GPW18935B | 0615 | 7640-033047 | 1401. 1 | | {0802. 3 |
| 3320-GPW18937 | 0615 | 7640-033048 | 1401. 1 | 8080-S1106 | 1401 |
| 3320-GPW18937B | 0615 | 7640-051033 | 0611 | 8080-1244 | 0802. 3 |
| 3320-GPW18938B | 0615 | 7640-051035 | 0611 | 8080-18-5-1 | 0802. 2 |
| 3320-GPW18960 | 0615 | 7640-063011 | 1401. 1 | 8080-18-8-1 | 0802. 3 |
| 3320-73869S | 1201. 2 | 7640-063012 | 1401. 1 | 8080-18-8-2 | 0802. 3 |
| 3320-GPW131410 | 0609. 1 | 7640-063991 | 0611 | 8080-18-8-7 | 0802. 1 |
| 3320-350280S | 0801 | 7640-063996 | 1401. 1 | 8080-20B62 | 1201. 1 |
| 3320-350281S | 0801 | 7640-T126000 | 1401. 1 | 8080-K2-1-28 | 0802. 3 |
| 3320-350282S | 0801 | 7640-T129001 | 1401. 1 | 8080-K2-1-28X | 0802. 3 |
| 3320-351505S | 1604 | 7640-401090 | 1401. 1 | 8080-K2-4-88X | 0900 |
| 3320-355499S | 0105. 4 | 7640-401100 | 1401. 1 | 8080-39Q20 | {0704 |
| | | 7640-401107 | 0611 | | {0804 |
| 3320-355597S | {0103 | 7640-450054 | 0611 | 8080-5815X | 1201. 1 |
| | {0700 | 7640-502282 | 1401. 1 | 8080-5866X | 0802. 3 |
| 3320-355741S | 0800 | 7640-502540 | 1401. 1 | 8080-5900X | 1201. 1 |
| 3320-355752S | 1201. 1 | 7640-503284 | 1401. 1 | 8080-5951X | 0806. 5 |
| 3320-356299S | 0608 | 7640-503308 | 1401. 1 | 8080-5962X | 0802. 3 |
| 3320-356403S | 1201. 2 | 7640-828732 | 0611 | 8080-S638-1 | {1002 |
| 3320-356561S | 0202 | 7640-7698-4-5-8 | 1401. 1 | | {1102 |
| 3320-746038 | 0800 | 8080-S58 | {1002 | 8080-S638-2 | {1002 |
| 3320-78-3332A | 1401 | | {1102 | | {1102 |
| 3320-GPW1101735A | 1805 | 8080-S59 | {1002 | 8080-S638-3 | {1002 |
| 3320-GPW1103010 | 1804 | | {1102 | | {1102 |
| 3320-GPW1103014 | 1804 | 8080-S74 | {1002 | 8080-6563X | 1201. 2 |
| 3320-GPW1103027 | 1703 | | {1102 | 8080-8996SF | 0900 |
| 3320-GP1103106 | 1804 | 8080-S75 | {1002 | 8080-8997SF | 0900 |
| 3320-GP1103302 | 1804 | | {1102 | 8080-13439 | 1401 |
| 3320-GP1103304 | 1804 | 8080-S112 | {1002 | 8080-13449 | {1002 |
| 3320-GP1103310 | 1804 | | {1102 | | {1102 |
| 3320-GPW111128-6A | 1805 | 8080-S113 | {1002 | 8080-13575 | {1002 |
| 3320-11A14452 | 0612 | | {1102 | | {1102 |
| 3320-21CS1768-2B | 2202 | 8080-S114 | {1002 | 8080-15099 | {1002 |
| 3320-352690S7 | 1201. 2 | | {1102 | | {1102 |
| 3320-355164S2 | 0603 | 8080-124J | 0900 | 8080-15367 | {1002 |
| 3320-GPW3554555 | 0601. 1 | 8080-153SP | 1201. 1 | | {1102 |
| 3320-356371S7 | 0601. 1 | 8080-S171 | {1002 | 8080-15926 | {1002 |
| 3320-GPW1101-1735A | 0804 | | {1102 | | {1102 |
| 3320-81W811189 | 1804 | 8080-232SP | 1201. 1 | 8080-16075 | {1002 |
| 3320-G8T8103-074B | 1804 | 8080-363SP | 0804 | | {1102 |
| 3320-99W81033-11 | 1804 | 8080-373J | 1201. 1 | 8080-16383 | {1002 |
| 4410-T60B | 1503 | 8080-3Q74 | 1201. 1 | | {1102 |
| 5200-24568 | 1311 | 8080-4B26 | 1201. 1 | 8080-16385 | {1002 |
| 5200-24569 | 1311 | 8080-433D | 0804 | | {1102 |
| 5200-25646 | 1312 | 8080-5B15 | 1201. 1 | 8080-16409 | {1001 |
| 5200-25647 | 1312 | 8080-5B16 | 1201. 1 | | {1100 |
| 5200-25693 | 1311 | 8080-634D | 0801 | 8080-16412X | {1002 |
| 5200-25917 | 1311 | | | | {1102 |
| 5960-CM5508 | 0201 | | | | |

STOCK NUMBER INDEX—Continued

| NUMBER | GROUP | NUMBER | GROUP | NUMBER | GROUP |
|--------------|---------|----------------|---------|------------------|---------|
| 8080-16866 | 1102 | 8080-18-67-5 | 0804 | 9240-FC5997 | 1204. 2 |
| | 1102 | 8080-2051-1 | 1100 | 9240-FC5998 | 1204. 2 |
| 8080-16968X | 1002 | 8080-K24108X | 0900 | 9240-FC6003 | 1204. 2 |
| | 1102 | | | 9240-FC6007 | 1204. 1 |
| 8080-16969X | 1002 | 8080-16322-2 | 1002 | 9240-FC6009 | 1204. 1 |
| | 1102 | | 1102 | 9240-FC6011 | 1204. 1 |
| 8080-16976 | 1001 | 8080-16323-2 | 1102 | 9240-FC8778 | 1204. 2 |
| | 1100 | 8080-16992-1 | 1004 | 9410-AS2T84J | 0700 |
| 8080-16979 | 1001 | 8080-16992-2 | 1004 | 9410-AT84J1A | 0701 |
| | 1100 | 8080-16992-3 | 1004 | 9410-T84H2 | 0702. 2 |
| 8080-16983 | 1004 | 8080-16992-4 | 1004 | 9410-AT84H2 | 0702. 2 |
| 8080-16991 | 1004 | 8080-17120-3X | 1006 | 9410-AC84J2A | 0704 |
| 8080-17003 | 1004 | 8080-17122-3 | 1006 | 9410-T84J6 | 0702. 1 |
| 8080-17015 | 1311 | 8080-17122-4 | 1006 | 9410-T84J8 | 0702. 3 |
| 8080-17016 | 1311 | 8080-17155-1 | 1006 | 9410-AT84J8 | 0702. 3 |
| 8080-17017 | 1311 | 8080-17155-2 | 1006 | 9410-1AT84H2 | 0702. 2 |
| 8080-17019 | 1004 | 8080-17295-1 | 1401 | 9410-4496K | 0704 |
| 8080-17041 | 1004 | 8080-17295-2 | 1401 | 9410-4497 | 0704 |
| 8080-17046X | 1401 | 8080-18-155-2 | 0801 | 9410-4498K | 0704 |
| 8080-17047X | 1401 | 8080-18-187-1 | 0802. 2 | 9410-4611 | 0704 |
| 8080-17048X | 1004 | 8080-18-19-18 | 0801 | 9410-4684 | 0701 |
| 8080-17071 | 1312 | 8080-18-223-2 | 0801 | 9410-4686 | 0702. 2 |
| 8080-17121X | 1006 | 8080-18-223-3 | 0802. 3 | 9410-C8-2-1-2 | 0704 |
| 8080-17133X | 1004 | 8080-18-228-7 | 0801 | 9410-AT84F10A | 0702. 3 |
| 8080-17135X | 1004 | 8080-18-228-8 | 0801 | 9410-T84F11A | 0702. 2 |
| 8080-17146 | 1102 | 8080-18-228-9 | 0801 | 9410-T84F12A | 0702. 2 |
| 8080-17153 | 1006 | 8080-18-267-4 | 0801 | 9410-C84B12A | 0704 |
| 8080-17202X | 1004 | 8080-18-324-2 | 0801 | 9410-T84F15 | 0702. 2 |
| 8080-17205 | 1401 | 8080-18-352-5 | 0801 | 9410-T84J16A | 0702. 1 |
| 8080-17210 | 1401 | 8080-18-362-3 | 0802. 3 | 9410-T84C19 | 0702. 2 |
| 8080-17211 | 1401 | 8080-18-381-2 | 0802. 3 | 9410-T84J20A | 0704 |
| 8080-17213 | 1401 | 8080-18-452-2 | 0802. 5 | 9410-T84J21A | 0704 |
| 8080-17214 | 1401 | 8080-18-453-3 | 0802. 5 | 9410-T84-22 | 0704 |
| 8080-17215 | 1401 | 8080-18-454-2 | 0802. 5 | 9410-T84C23A | 0704 |
| 8080-17216 | 1006 | 8080-18-466-1 | 0802. 3 | 9410-T84C24A | 0704 |
| 8080-17218 | 1006 | 8080-25Q1055 | 0804 | 9410-T84B25 | 0704 |
| 8080-17221 | 1004 | 8080-25Q1056 | 0804 | 9410-AT84J25 | 0704 |
| 8080-17222 | 1004 | 8080-31-246-2 | 0802. 2 | 9410-T84-29 | 0702. 3 |
| 8080-17224 | 1006 | 8080-6-73-122 | 1201. 2 | 9410-T84-30 | 0704 |
| 8080-17226X | 1101 | | | 9410-T84-31 | 0704 |
| 8080-17229 | 1006 | 8080-6-73-124 | 1006 | 9410-T84J31 | 0702. 3 |
| 8080-17230 | 1006 | | 1102 | 9410-T84B32 | 0704 |
| 8080-17231 | 1006 | 8080-6-73-513 | 1202 | 9410-T84-42 | 0704 |
| 8080-17232 | 1006 | 8080-22-381-19 | 0802. 3 | | |
| 8080-17233 | 1006 | 8080-6-73-1117 | 1004 | 9410-T84J50½A | 0802. 1 |
| 8080-17301X | 1004 | 8604-8E-1000 | 0106. 2 | | 0802. 2 |
| 8080-17302X | 1004 | 8800-728-2 | 2202. 1 | 9410-T84J86A | 0804 |
| 8080-17307 | 1401 | 9240-FC1511 | 1204. 3 | 9410-T84-115 | 0704 |
| 8080-17310X | 1001 | 9240-FC2917 | 1204. 1 | 9410-T84H137 | 0702. 2 |
| 8080-17347 | 1401 | 9240-FC2918 | 1204. 1 | 9410-T84D145C | 0700 |
| 8080-18-12-1 | 0804 | 9240-FC2926 | 1204. 1 | 9410-T84A148 | 0704 |
| 8080-18-15-9 | 0801 | 9240-FC3023 | 1204. 2 | 9410-1AT84J2-1-2 | 0702. 2 |
| 8080-18-16-3 | 0801 | 9240-FC3678 | 1204. 1 | 9410-4229A138A | 0702. 2 |
| 8080-18-19-8 | 0801 | 9240-FD4564 | 1204. 1 | 9410-4299A137A | 0702. 2 |
| 8080-18-24-1 | 0802. 3 | 9240-FC5555 | 1204. 3 | 9410-T84H137-12 | 0702. 2 |
| 8080-18-24-4 | 1201. 2 | 9240-FC5727 | 1204. 1 | 9680-A450 | 1202 |
| 8080-18-66-1 | 0804 | 9240-FC5778 | 1204. 3 | 9680-A472 | 1312 |
| 8080-18-66-7 | 0804 | 9240-FC5795 | 1204. 3 | 9680-A621 | 1401 |
| 8080-18-67-2 | 0804 | 9240-FC5992 | 1204. 2 | 9680-A1096 | 0605 |
| | | 9240-FC5993 | 1204. 2 | 9680-A1203 | 1501 |

STOCK NUMBER INDEX—Continued

| NUMBER | GROUP | NUMBER | GROUP | NUMBER | GROUP |
|-------------|---------|-------------|---------|--------------|---------|
| 9680-A1388 | 0100 | 9680-A17337 | 0601. 1 | 45-F-451 | 0202 |
| 9680-A6853 | 0312 | | 0613. 1 | 45-C-9272 | 0604. 1 |
| 9680-A6941 | 0501 | 9680-635886 | 0605 | | |
| 9680-A6942 | 0501 | 9680-637615 | 0604. 1 | 45-V-18129-3 | 0900 |
| 9680-A8101 | 0401 | 9680-640070 | 0104. 1 | 45-F-406-150 | 0804 |
| 9680-A9086 | 0401. 1 | 8604-8E1000 | 0106. 2 | 45-F-448-200 | 1204. 1 |
| 9680-A17282 | 0602. 1 | 42-E-4060 | 2201 | | |
| | 0602. 3 | 42-C-6620 | 2201 | 1601. 1 | |
| | 0603 | 45-F-430 | 1601. 1 | | |

DEPARTMENT OF THE ARMY
SUPPLY CATALOG

ORD 9 SNL G-503

Group B

LIST OF ALL SERVICE PARTS

FOR

TRUCK, 1/4-TON, 4x4, COMMAND RECONNAISSANCE
(FORD, MODEL GPW; WILLYS, MODEL MB)

Supersedes ORD 9 SNL G-503, 15 February 1945

Ref: TM 9-1803A
TM 9-1803B

This pamphlet is correct to 23 August 1949

DEPARTMENT OF THE ARMY

OCTOBER 1949

DEPARTMENT OF THE ARMY
WASHINGTON 25, D. C., 14 October 1949

Department of the Army Supply Catalog, ORD 9 SNL G-503, is published for the information and guidance of all concerned.

[AG 461 (15 Sep 49)]

BY ORDER OF THE SECRETARY OF THE ARMY:

OFFICIAL:

• EDWARD F. WITSELL
Major General
The Adjutant General

J. LAWTON COLLINS
Chief of Staff, United States Army

DISTRIBUTION:

Tech Sv (2) except 9 (52); Arm & Sv Bd (2); AFF (2); OS Maj Comd (10); Base Comd (2); MDW (5); A (ZI) (18), (Overseas) (3); CHQ (2); D (2); R 9 (2); Bn 9 (2); C 9 (2); FC (1); Sch (5) except 9 (50); Gen Dep (1); Dep 9 (3); PE (Ord O) (5), OSD (1); PG 9 (3); Ars 9 (3); Dist 9 (3);
SPECIAL DISTRIBUTION.

For explanation of distribution formula, see SR 310-90-1

CONTENTS

| | Page |
|----------------------------------------------------|------|
| INTRODUCTION..... | 1 |
| 01 ENGINE..... | 21 |
| 02 CLUTCH..... | 47 |
| 03 FUEL SYSTEM..... | 56 |
| 04 EXHAUST SYSTEM..... | 76 |
| 05 COOLING SYSTEM..... | 83 |
| 06 ELECTRICAL SYSTEM..... | 100 |
| 07 TRANSMISSION..... | 148 |
| 08 TRANSFER..... | 158 |
| 09 PROPELLER SHAFT..... | 168 |
| 10 FRONT AXLE..... | 176 |
| 11 REAR AXLE..... | 191 |
| 12 BRAKES..... | 202 |
| 13 WHEELS..... | 218 |
| 14 CONTROLS..... | 222 |
| 15 FRAME..... | 231 |
| 16 SPRINGS AND SHOCK ABSORBERS..... | 241 |
| 17 FENDERS AND HOOD..... | 249 |
| 18 BODY..... | 254 |
| 21 BUMPERS AND GUARDS..... | 270 |
| 22 MISCELLANEOUS EQUIPMENT..... | 274 |
| NOTES..... | 280 |
| ALPHABETICAL INDEX..... | 281 |
| ORDNANCE AND MANUFACTURERS' PART NUMBER INDEX..... | 290 |
| STOCK NUMBER INDEX..... | 321 |

