

# LUBRICATION ORDER

30 OCTOBER 1996

# LO 9-6115-643-12

This Lubrication Order supersedes LO 9-6115-643-12,  
dated 30 December 1992

---

## GENERATOR SET, SKID MOUNTED TACTICAL QUIET 15kW, 50/60 AND 400 Hz

<u>DOD MODEL</u>	<u>CLASS</u>	<u>HERTZ</u>	<u>NSN</u>
MEP-804A	TACTICAL QUIET	50/60	6115-01-274-7388
MEP-814A	TACTICAL QUIET	400	6115-01-274-7393

Reference TM 9-6115-643-10

**DISTRIBUTION STATEMENT A** - Approved for public release; distribution is unlimited

### REPORTING ERRORS AND RECOMMENDING IMPROVEMENTS

You can help improve this publication. If you find any mistakes or if you know a way to improve these procedures, please let us know. Mail your letter or DA Form 2028 (Recommended Changes to Publications and Blank Forms), or DA-Form 2028-2 to: Commander, U.S. Army Aviation and Troop Command ATTN: AMSAT-I-MP, 4300 Goodfellow Blvd., St. Louis, MO 63120-1798. You may also submit your recommended changes by E-mail directly to <mpmt%avma28@st-louis-emh7.army.mil>. A reply will be furnished directly to you. Instructions for sending an electronic 2028 may be found at the back of this publication.

---

### NOTES

Intervals (on-condition or hard time) and the related man-hour times are based on normal operation. The man-hour time specified is the time you need to do all the services prescribed for a particular interval. On-condition (OC) oil sample intervals shall be applied unless changed by the Army Oil Analysis Program (AOAP) laboratory. Change the hard time interval if your lubricants are contaminated or if you are operating the equipment under adverse operating conditions, including longer-than-usual operating hours. The hard time interval may be extended during periods of low activity. If extended, adequate preservation precautions must be taken. Hard time intervals will be applied in the event AOAP laboratory support is not available.

Lubrication points are indicated by arrow shafts on the equipment.

The lowest level of maintenance authorized to lubricate a point is Unit Maintenance (C).

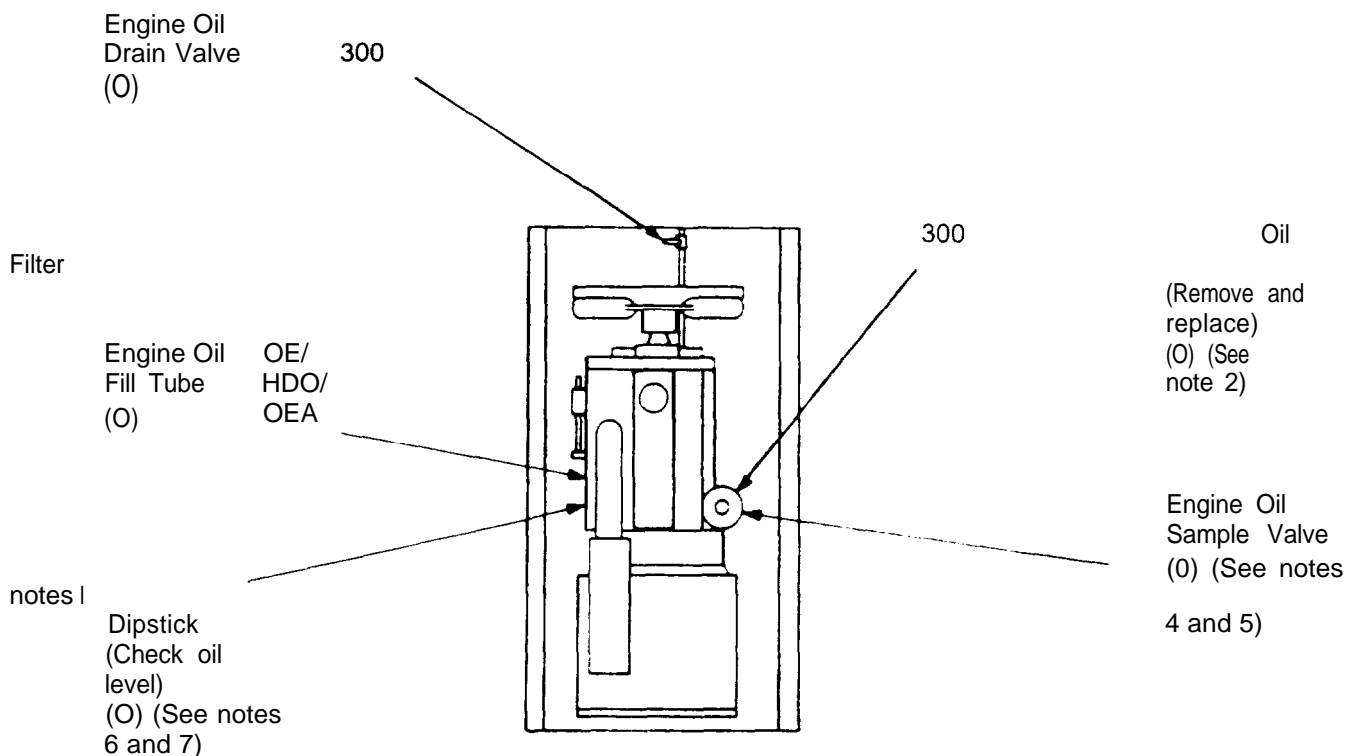
Warm engine oil by running engine for approximately 5 minutes prior to draining crankcase.

TOTAL TASK-HR

INTERVAL	TASK-HR
300	0.4

LUBRICANT • INTERVAL

INTERVAL • LUBRICANT



KEY

LUBRICANTS	CAPACITY	Above +32°F (0°C)	+40°F (+4°C) to -10°F (-23°C)	0°F (-17°C) to -65°F (-53°C)	INTERVALS
OE/HDO-Oil, Engine, Heavy Duty Crankcase Oil Can Points	With Filter 6 qts. 5.7 Liters	OE/HDO-30	OE/HDO-10	OEA	intervals given are in hours of normal operation
OEA-Oil, Engine, Sub-zero	Without Filter 5 qts. 4.7 Liters	OE-HDO-15/40			

NOTE: FOR ARCTIC OPERATION REFER TO FM9-207.

## WARNING

Clean parts in a well-ventilated area. Avoid inhalation of solvent fumes and prolonged exposure of skin to cleaning solvent. Wash exposed skin thoroughly. Dry Cleaning solvent (Fed. Spec. PD-680) used to clean parts is potentially dangerous to personnel and property. Do not use near open flame or excessive heat. Flash point of solvent is 100°F to 138°F (38°C to 59°C).

1. **FOR OPERATION OF EQUIPMENT IN COLD TEMPERATURES BELOW -10°F (-23°C).** Remove lubricants prescribed in the key for temperatures above -10°F (-23°C). Clean parts with dry cleaning solvent, PD-680 Type II or equivalent. Relubricate with lubricants specified in the key for temperatures 0°F to -65°F (-17°C to -53°C).
2. **OIL FILTER.** After installing filter, fill crankcase, operate engine 5 minutes, and check housing for leaks. Shut down engine, check crankcase oil level, and bring to full mark. Oil filter replacement interval shall align with on-condition, AOAP analysis or hard time oil change requirements. See notes 4 and 5.
3. **OIL CAN POINTS.** Every 100 hours, lubricate the door hinges, latches, control linkage, and all exposed adjusting threads with OE/HDO/OEA.
4. **CRANKCASE OIL.** A sample of the oil shall be sent to an AOAP laboratory for analysis at an interval of 50 hours or 90 days. Refer to DA PAM 738-750 for sampling requirements.
5. When AOAP laboratory support is not available, drain and refill crankcase oil every 300 hours or 6 months.

## CAUTION

The dipstick is marked so that the crankcase oil can be checked while engine IS stopped or running. Always make sure correct side of dipstick is checked. Remove oil filler cap when checking oil with engine running.

6. Fill and check oil level. After checking level, place dipstick into the adapter tube to prevent oil leakage or contamination.
7. **LUBRICANTS.** The following is a list of lubricants with the military symbols and applicable military specification numbers:

OE/HDO	- MIL-L-2104
OEA	- MIL-L-46147

Copy of this Lubrication Order will remain with the equipment at all times. Instructions contained herein are mandatory.

**LO 9-6115-643-12**

**LUBRICATION ORDER**

By Order of the Secretary of the Army:

Official:



JOEL B. HUDSON

*Administrative Assistant to the  
Secretary of the Army*

02966

DENNIS J. REIMER  
*General, United States Army  
Chief of Staff*

**DISTRIBUTION**

To be distributed in accordance with DA Form 12-25-E block no. 6010, requirements for LO 9-6115-643-12.

## *These are the instructions for sending an electronic 2028*

The following format must be used if submitting an electronic 2028. The subject line must be exactly the same and all fields must be included; however only the following fields are mandatory: 1, 3, 4, 5, 6, 7, 8, 9, 10, 13, 15, 16, 17, and 27.

From: "Whomever" <whomever@avma27.army.mil>  
TO: mpmt%avma28@st-louis-emh7.army.mil

Subject: DA Form 2028

1. **From:** Joe Smith
2. **Unit:** home
3. **Address:** 4300 Park
4. **City:** Hometown
5. **St:** MO
6. **Zip:** 77777
7. **Date Sent:** 19-OCT-93
8. **Pub no:** 55-2840-229-23
9. **Pub Title:** TM
10. **Publication Date:** 04-JUL-85
11. **Change Number:** 7
12. **Submitter Rank:** MSG
13. **Submitter FName:** Joe
14. **Submitter MName:** T
15. **Submitter LName:** Smith
16. **Submitter Phone:** 123-123-1234
17. **Problem:** 1
18. **Page:** 2
19. **Paragraph:** 3
20. **Line:** 4
21. **NSN:** 5
22. **Reference:** 6
23. **Figure:** 7
24. **Table:** 8
25. **Item:** 9
26. **Total:** 123
27. **Text:**

This is the text for the problem below line 27.

