

DEPARTMENT OF THE ARMY TECHNICAL MANUAL

TM 9-2800-1

DEPARTMENT OF THE AIR FORCE TECHNICAL ORDER

TO 19-75A-89

MILITARY VEHICLES

(ORDNANCE CORPS RESPONSIBILITY)

DEPARTMENTS OF THE ARMY AND THE AIR FORCE

FEBRUARY 1953

TM 9-2800-1/TO 19-75A-89

*This manual supersedes those portions of TM 9-2800, 27 October 1947, that pertain to Ordnance Corps vehicles; and TB 9-2800-2
8 March 1948, including C 1, 16 January 1950*

MILITARY VEHICLES

(ORDNANCE CORPS RESPONSIBILITY)



This manual is correct to 6 February 1952

DEPARTMENTS OF THE ARMY AND
THE AIR FORCE

WASHINGTON 25, D. C., 13 February 1953

TM 9-2800-1/TO 19-75A-89 is published for the information and guidance of all concerned.
[AG 451 (7 Jul 52)]

BY ORDER OF THE SECRETARIES OF THE ARMY AND THE AIR FORCE:

OFFICIAL:

WM. E. BERGIN
Major General, USA
The Adjutant General

J. LAWTON COLLINS

Chief of Staff, United States Army

OFFICIAL:

K. E. THIEBAUD
Colonel, USAF
Air Adjutant General

HOYT S. VANDENBERG,

Chief of Staff, United States Air Force

DISTRIBUTION:

Active Army:

Tech Svc (1); Tech Svc Bd (2); AFF (5); AA Comd (2); OS Maj Comd (10); Base Comd (2);
MDW (3); Log Comd (5); A (20); CHQ (2); Div (2); Brig (1); Regt (1) except 9 (2); Bn (1)
except 9 (2); Co (1) except 9 (2); FT (2); Sch (5) except 9 (50); PMS & T 9 (2); Gen Dep
(2); Dep 9 (10); POE (5), OSD (2); PRGR 9 (10); Ars 9 (10); Proc Dist 9 (10); Mil Dist (3).

NG: Same as Active Army except one copy to each unit.

Army Reserve: Same as Active Army except one copy to each unit.

For explanation of distribution formula, see SR 310-90-1.

CONTENTS

	<i>Paragraphs</i>	<i>Page</i>
SECTION I. INTRODUCTION		
Scope.....	1	1
Explanation of terminology.....	2	1
Definition of vehicles.....	3	2
Responsibility.....	4	3
Excessive weights and dimensions.....	5	3
Winterization and deep-water fording kits.....	6	3
Different voltages.....	7	3
II. ORDNANCE CORPS MILITARY VEHICLES.....		4
APPENDIX. REFERENCES.....		285
INDEX.....		296

Section I. INTRODUCTION

1. Scope

a. This manual covers the Army military vehicles for which the Ordnance Corps has the responsibility of storage and issue. Chassis that the Ordnance Corps supplies to other technical services for mounting bodies and special equipment peculiar to those services are also included.

b. A halftone illustration and dimensioned line sketch of each vehicle is shown, followed by tabulated data. These data include classification, purpose, characteristics, and performance of each vehicle. Data and illustrations have been obtained from the most reliable sources available at time of publication. These sources include vehicle manufacturers and responsible agencies of the Ordnance Corps. Further information is given in the technical manuals and supply catalogs listed for each vehicle.

c. Section II contains the vehicles arranged alphabetically. Within the alphabetical arrangement, the transport vehicles are listed by increasing capacities and the combat vehicles are listed by increasing caliber of the major armament. In the index, however, the vehicles are grouped by types.

d. Matériel which has been declared obsolete since publication of the superseded edition, 27 October 1947, has not been included in the revision.

e. The appendix contains a list of references to other pertinent publications.

2. Explanation of Terminology

a. *Classification.* Vehicles are classified from the standpoint of suitability for use as follows:

- (1) *Standard.* Standard vehicles are the most advanced and satisfactory that have been adopted, and are those which are preferred for procurement.
- (2) *Substitute standard.* Substitute standard vehicles are those that do not have as satisfactory military characteristics as standard vehicles, but are usable substitutes for standard vehicles and, when necessary, may be procured to supplement the supply of standard vehicles.

- (3) *Limited standard.* Limited standard vehicles are those that do not have as satisfactory military characteristics as standard vehicles, but are usable substitutes for standard vehicles, and are either in use or available for issue to meet supply demands. Complete vehicles will not be procured, but component parts, even though they may be limited-procurement articles, may be procured if necessary to maintain these vehicles in serviceable condition throughout a reasonable life expectancy.
- (4) *Nonclassified.* Vehicles to which no classification is assigned.

b. *Technical Data.*

- (1) *Wheels.* Where such data as "6 x 4" and "4 x 4" appear in vehicular nomenclature, the first figure indicates total number of wheels, and the second figure indicates number of driving wheels. Dual wheels are considered as one wheel.
- (2) *Net weight.* Weight of fully equipped vehicle in operating condition with fuel, lubricants, and water, but without crew or payload, unless otherwise specified.

Note. It is emphasized that weights given in this manual are for tactical use only, and are not intended as official shipping weights for use in shipment by commercial carriers, due to variations between vehicles, variations resulting from changes in stowage, etc. Official vehicular shipping weights are contained in TB9-OSSC-G.

- (3) *Payload.* Weight of cargo or passengers, including crew, which may be safely imposed on vehicle.
- (4) *On-highway payload.*
 - (a) Permissible payload for a tactical transport vehicle operated on highways only is based upon the maximum load capacity of the vehicle's tires.

Caution: Payload and maximum gross weight for unrestricted operation will not exceed those shown on the vehicle data plate.

- (b) Tactical vehicles for which the permissible on-highway loading is not given in this manual, nor on the vehicle data plate, will be reported by the using organization to the Office, Chief of Ordnance for determination of allowable loading.
- (5) *Gross weight or fighting weight.* Weight of vehicle fully equipped and serviced for operation, including crew, plus maximum allowable payload of cargo or passengers.
- (6) *Shipping dimensions.* Minimum dimensions to which a completely assembled vehicle may be reduced by lowering cab, top, or windshield, removing body bows, gun mounts, etc.
- (7) *Ground clearance.* Minimum clearance under lowest point of chassis.
- (8) *Computed grade ability.* The grade (slope), measured in percent, that a vehicle will ascend with given load and in specified gear or range, as calculated by standard formula. Percent of grade is defined as the ratio between the vertical rise and the horizontal distance traveled, expressed in percent. Examples of grades measured in terms of degree of angle and percent follow:
- | Degree of angle | Percent of grade |
|-----------------|------------------|
| 0..... | 0 |
| 10..... | 17. 633 |
| 30..... | 57. 735 |
| 45..... | 100 |
- (9) *Turning radius.* Radius of minimum circle withing which vehicle can negotiate a complete turn.
- (10) *Fording depth.* Depth of water through which vehicle can be successfully operated at slowest speed.
- (11) *Cruising range.* Average distance vehicle will travel on one filling of fuel at rated fuel consumption.
- (12) *Communications equipment.* The type numbers of communications equipment listed for combat vehicles have the following meanings:

AN/ARC-3	Radio Set
AN/GRC-3	Radio Set
AN/GRC-4	Radio Set
AN/GRC-5	Radio Set
AN/GRC-6	Radio Set
AN/GRC-7	Radio Set
AN/GRC-8	Radio Set
AN/GRC-9	Radio Set
AN/GRR-5	Radio Set
AN/PRC-9	Radio Set
AN/U1C-1	Auxiliary Interphone Equipment
AN/VIA-1	Auxiliary Interphone Equipment
AN/VRC-3	Radio Set
AN/VRC-5	Radio Set
AN/VRC-7	Radio Set
AN/VRC-8	Radio Set
AN/VRC-9	Radio Set
AN/VRC-10	Radio Set
AN/VRC-13	Radio Set
AN/VRC-14	Radio Set
AN/VRC-15	Radio Set
AN/VRQ-1	Radio Set
AN/VRQ-2	Radio Set
AN/VRQ-3	Radio Set
BC-667	Interphone Amplifier
NAVY TCS	Radio Set
RC-99	Interphone Equipment
RC-298	Interphone Extension Kit
SCR-52B	Radio Set
SCR-1938	Radio Set
SCR-193T	Radio Set
SCR-245	Radio Set
SCR-499	Radio Set
SCR-506	Radio Set
SCR-507	Radio Set
SCR-508	Radio Set
SCR-510	Radio Set
SCR-528	Radio Set
SCR-542	Radio Set
SCR-593	Radio Set
SCR-608	Radio Set
SCR-608B	Radio Set
SCR-610	Radio Set
SCR-619	Radio Set
SCR-628	Radio Set
SCR-694C	Radio Set

3. Definition of Vehicles

Vehicles are defined in AR 700-105. These definitions cover *vehicles* and *motor vehicles*, which are divided into *tactical* and *administrative vehicles*. Further groupings are *general-purpose vehicles*, *special-equipment vehicles*, *special-purpose vehicles*, *combat vehicles*, *trailers*, and *semitrailers*.

4. Responsibility

For each type of vehicle stored and issued by each technical service and the Air Force, the technical service responsible for design and development; preparation of specifications; purchase and inspection (including spare parts); storage and issue of spare parts for organizational, field, and depot maintenance; and performance of depot maintenance is given in SR 700-110-1 (AFR 65-17).

5. Excessive Weights and Dimensions

The weights and dimensions of some vehicles included in this manual exceed the permissible limits given in AR 700-105. SR 700-105-10 lists these vehicles and explains wherein they exceed the limitations.

6. Winterization and Deep-Water Fording Kits

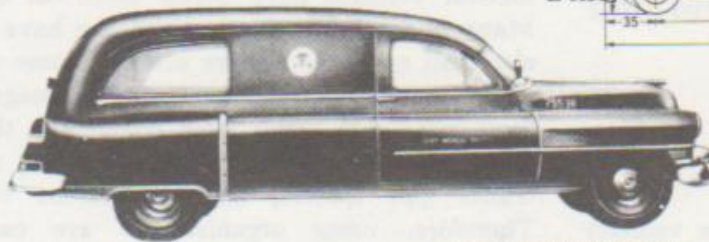
a. Winterization kits available for vehicles are listed in SB 9-16.

b. Deep-water fording kits available for vehicles are listed in TM 9-2853.

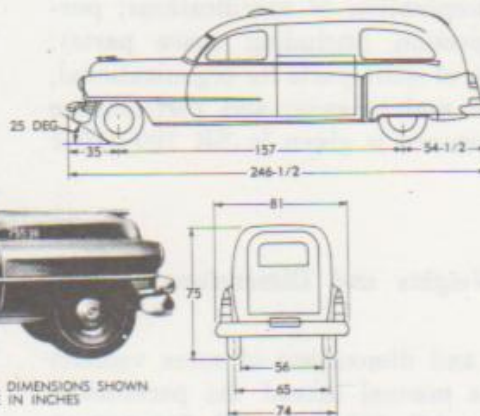
7. Different Voltages

The commercial-type vehicles and the older tactical vehicles have 6-volt electrical systems. Many of the newer tactical vehicles have 24-volt electrical systems. There are also some vehicles with 12-volt electrical systems. Damage is almost certain to result from connecting the electrical systems of two or more vehicles, such as trucks and trailers, having different voltages. Therefore, using organizations are cautioned against connecting the electrical systems of vehicles having different voltages, unless one vehicle has been modified to accommodate the voltage of the other.

Section II. ORDNANCE CORPS MILITARY VEHICLES
AMBULANCE, METROPOLITAN, 3/4-TON, 4-LITTER
 (Cadillac-Miller, Model 50-86 and Cadillac-Superior, Model 51-86, 1951)



RA PD 172754



NOTE: ALL DIMENSIONS SHOWN ARE IN INCHES

Vehicle illustrated: Model 51-86.
 Classification: Standard.

Purpose: To transport sick and wounded personnel.

GENERAL DATA

Crew	2; Passengers (including crew) 12
Weight (lb)	Net 5,720
Payload	1,500
Gross	7,220
Rear-axle gear ratio	4.27:1
Axle load (lb):	
Empty	front 2,740; rear 2,980
Loaded	front 3,000; rear 4,220
Tires:	
Ply 6; Size 8.90 x 15	Pressure (psi) front 24, rear 30
Tread, center-to-center, front	(in.) 59
Shipping dimensions, uncrated	(cu ft) 867; (sq ft) 139
Ground clearance	(in.) 9
Electrical system	(volts) 6
No. of batteries	1
Type of ground	negative
Fuel octane rating	80
Capacities:	
Fuel	(gal) 20
Cooling system (qt)	w/o heater 18; w/heater 19
Crankcase, refill	(qt) 5
Transmission	(qt) 3 3/4
Rear axle	(qt) 2 1/4
Brakes:	
Manufacturer; Bendix	Type; hydraulic
Parking brake, type	rear-wheel
Transmission forward speeds	3
Gear ratio	High 1:1; Low 2.393:1

PERFORMANCE

Computed grade ability in lowest gear, loaded	(percent) 25
Turning radius	(ft) 29
Fording depth	(in.) 9 3/4
Fuel consumption, loaded	(mpg) 8
Cruising range, loaded	(mi) 160
Allowable speed, recommended	(mph) 65

ENGINE

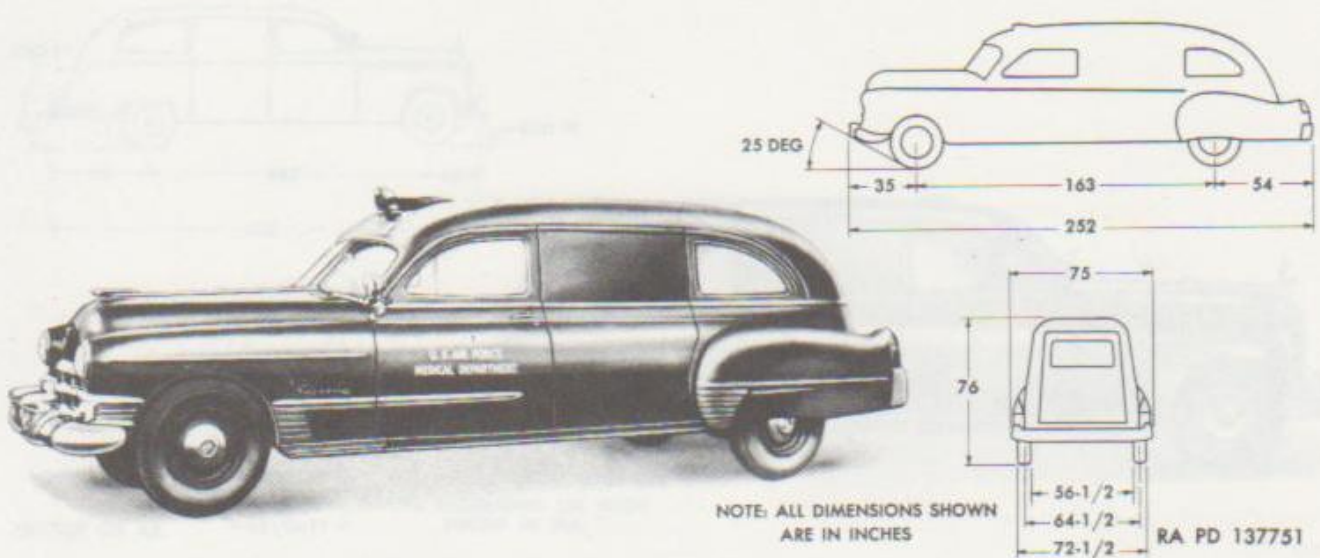
Manufacturer; Cadillac	Model 1951
Type	4-cycle, valve-in-head; No. of cylinders (90-deg V) 8
Displacement	(cu in.) 331
Bore	(in.) 3 1/4
Stroke	(in.) 3 3/4
Compression ratio	7.5:1
Governed speed	not governed
Brake horsepower (max w/std accessories)	141 at (rpm) 3,400
Torque (max w/std accessories)	297 lb-ft at (rpm) 1,800

ADDITIONAL DATA

Rear axle, type	hypoid, semi-floating
Transmission, type	synchromesh

AMBULANCE, METROPOLITAN, 3/4-TON, 4-LITTER

(Cadillac-Superior, Models 62, 1942; V-8, 1948; and 4986, 1949)



Vehicle illustrated: Model 4986, 1949.
Classification: Standard.

Purpose: To transport sick and wounded personnel.

GENERAL DATA

Crew	2; Passengers (including crew) 12
Weight (lb)	Net 5,530; Payload 1,500; Gross 7,030
Rear-axle gear ratio	3.77:1
Axle load (lb):	
Empty.....	front 2,660; rear 2,870
Loaded.....	front 2,920; rear 4,110
Tires:	
Ply 6; Size 8.90 x 15; Pressure (psi).....	front 24; rear 30
Tread, center-to-center, front.....	(in.) 59
Shipping dimensions, uncrated	(cu ft) 836; (sq ft) 132
Ground clearance	(in.) 9
Electrical system	(volts) 6
No. of batteries.....	1
Type of ground.....	negative
Fuel octane rating	88
Capacities:	
Fuel.....	(gal) 20
Cooling system (qt).....	w/o heater 18; w/heater 19
Crankcase, refill.....	(qt) 5
Transmission.....	(qt) 11 1/4
Rear axle.....	(qt) 2 1/4
Brakes:	
Manufacturer; Bendix.....	Type; hydraulic
Parking brake, type.....	rear-wheel
Transmission forward speeds	3
Gear ratio.....	High 1:1; low 2.39:1

PERFORMANCE

Computed grade ability in lowest gear, loaded	(percent) 25
Turning radius	(ft) 28 1/2
Fording depth	(in.) 9 1/4
Fuel consumption, loaded	(mpg) 8
Cruising range, loaded	(mi) 160
Allowable speed, recommended	(mph) 65

ENGINE

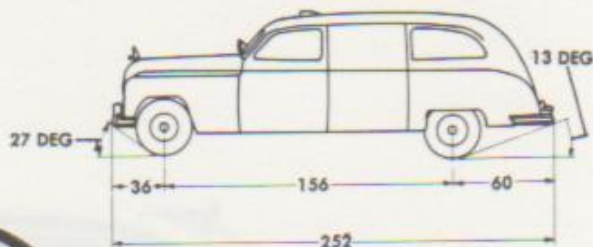
Manufacturer: Cadillac.....	Model 1940
Type: Valve-in-head, 4-cycle.....	No. of cylinders (90-deg V) 8
Displacement	(cu in.) 331
Bore	(in.) 3 1/4
Stroke	(in.) 3 5/8
Compression ratio	7.50:1
Governed speed	not governed
Brake horsepower (max w/std accessories)	141 at (rpm) 3,400
Torque (max w/std accessories)	297 lb-ft at (rpm) 1,800

ADDITIONAL DATA

Transmission, type	synchromesh
Rear axle, type	hypoid, semi-floating

AMBULANCE, METROPOLITAN, 3/4-TON, 4-LITTER

(Packard-Henney, Models 4294 HDA, 1942 and 2213-9, 1949)



NOTE: ALL DIMENSIONS SHOWN ARE IN INCHES

RA PD 137743

Vehicle illustrated: Model 2213-9, 1949.
Classification: Standard.

Purpose: To transport sick and wounded personnel.

GENERAL DATA

Crew	2; Passengers (including crew) 12
Weight (lb)	Net 6,223; Payload 1,500; Gross 7,723
Rear-axle gear ratio	4.54:1
Axle load (lb):	
Empty	front 3,295; rear 2,928
Loaded	front 3,540; rear 4,183
Tires:	
Ply 6; Size 7.50 x 16; Pressure (psi)	front 30, rear 40
Tread, center-to-center, front	(in.) 59 1/2
Shipping dimensions, uncrated	(cu ft) 900; (sq ft) 142
Vehicle dimensions:	
Ground clearance	(in.) 9
Loading height, empty	(in.) 24 1/2
Electrical system	(volts) 6
No. of batteries	1
Type of ground	positive
Fuel octane rating	80
Capacities:	
Fuel	(gal) 20
Cooling system (qt)	w/o heater 19; w/heater 19 1/2
Crankcase, refill	(qt) 7
Transmission	(qt) 1
Rear axle	(qt) 3
Brakes:	
Manufacturer: Packard	Type: hydraulic
Parking brake, type	rear-wheel
Transmission forward speeds	3
Gear ratio	High 1:1; Low 2.43:1

PERFORMANCE

Computed grade ability in lowest gear, loaded	(percent) 28
Turning radius	(ft) 28
Fording depth	(in.) 9
Fuel consumption, loaded	(mpg) 19
Cruising range, loaded	(mi) 200
Allowable speed, governed	(mph) 60

ENGINE

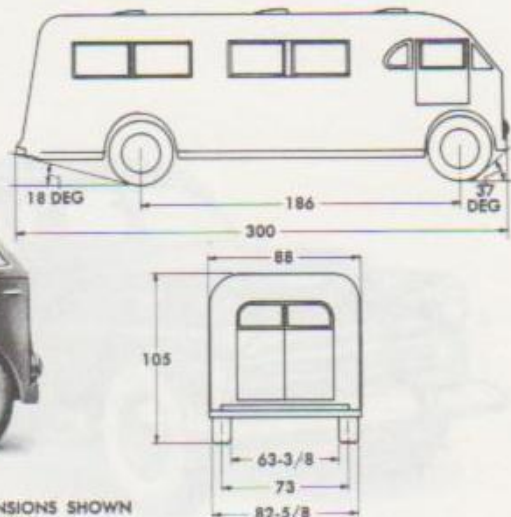
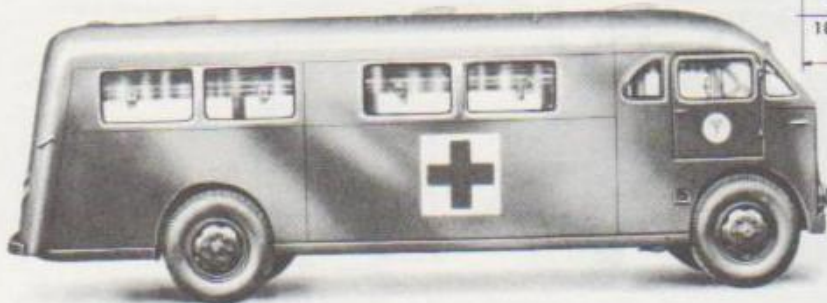
Manufacturer: Packard	Model 2213
Type	L-head, 4-cycle; No. of cylinders (in line) 8
Displacement	(cu. in.) 356
Bore	(in.) 3 1/2
Stroke	(in.) 4 5/8
Compression ratio	7.00:1
Governed speed	(rpm) 3,600
Brake horsepower (max w/std accessories)	144 at (rpm) 3,600
Torque (max)	282 lb-ft at (rpm) 2,000

ADDITIONAL DATA

Transmission, type	synchromesh
Rear axle, type	hypoid, semifloating

AMBULANCE, METROPOLITAN, 1½-TON, 12-LITTER, M423

(Linn Coach and Truck Division)



NOTE: ALL DIMENSIONS SHOWN ARE IN INCHES

RA PD 137731

Classification: Standard.

GENERAL DATA

Crew	2; Passengers (including crew) 14
Weight (lb)	Net 6,500; Payload 3,000; Gross 9,500
Front-axle gear ratio	5.6:1
Axle load (lb):	
Empty	front 4,000; rear 2,500
Loaded	front 5,000; rear 4,500
Tires:	
Ply 10; Size 9.00 x 20	Pressure (psi) front 60; rear 55
Tread, center-to-center, front	(in.) 64 3/4
Shipping dimensions, uncrated	(cu ft) 1,530; (sq ft) 180
Ground clearance	(in.) 10
Electrical system	(volts) 12
No. of batteries	1
Type of ground	positive
Fuel octane rating	70
Capacities:	
Fuel	(gal) 29
Cooling system (qt)	w/o heater 17; w/heater 18 1/2
Crankcase, refill	(qt) 5
Transmission	(qt) 2 1/2
Transfer	(qt) 3
Front axle	(qt) 2 1/2
Brakes:	
Manufacturer; Wagner Electric	Type; hydraulic
Parking brake, type	transmission
Transmission forward speeds	4
Gear ratio	High 1:1; Low 6.4:1
Transfer speeds	1
Gear ratio	1:1

Purpose: To transport sick and wounded personnel.

PERFORMANCE

Computed grade ability in lowest gear, loaded	(percent) 42
Turning radius	(ft) 32
Fuel consumption, loaded	(mpg) 8
Cruising range, loaded	(mi) 232
Allowable speed, governed	(mph) 50

ENGINE

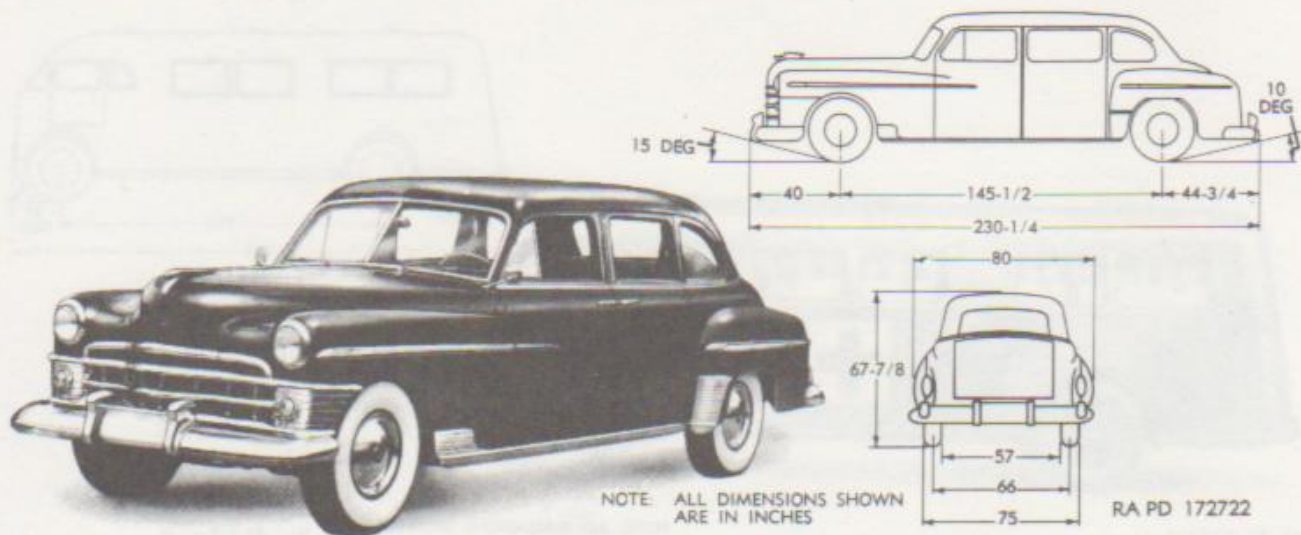
Manufacturer: Dodge	Model T-214
Type: L-head, 4-cycle	No. of cylinders (in line) 6
Displacement	(cu in.) 230.2
Bore	(in.) 3 1/4
Stroke	(in.) 4 5/8
Compression ratio	6.7:1
Governed speed	(rpm) 3,300
Brake horsepower (max w/std accessories)	94 at (rpm) 3,500
Torque (max)	175 lb-ft at (rpm) 1,300

ADDITIONAL DATA

Front-wheel drive only
Floodlight over rear door

AUTOMOBILE, LIMOUSINE, HEAVY, 7-PASSENGER, 4 x 2

(Chrysler, Crown Imperial)



Classification: Nonclassified.

Purpose: To transport personnel.

GENERAL DATA

Crew	1; Passengers (including crew) 7
Weight (lb)	Net 5,491
Payload.....	1,225
Gross.....	6,716
Rear-axle gear ratio	3.58:1
Axle load (lb):	
Empty.....	front 2,880; rear 2,611
Loaded.....	front 3,190; rear 3,526
Tires:	
Ply 6; Size 8.90 x 15; Pressure.....	(psi) 24
Tread, center-to-center, front.....	(in.) 57 1/4
Shipping dimensions, uncrated:	(cu ft) 725; (sq ft) 128
Ground clearance	(in.) 6 1/4
Electrical system	(volts) 6
No. of batteries.....	1
Type of ground.....	positive
Fuel octane rating	72
Capacities:	
Fuel.....	(gal) 20
Cooling system.....	(qt) 21
Crankcase, refill.....	(qt) 5
Transmission.....	(qt) 1 1/4
Rear axle.....	(qt) 2 1/4
Brakes:	
Manufacturer; Chrysler.....	Type; hydraulic
Parking brake, type.....	transmission
Transmission for ward speeds	4
Gear ratio: High 1:1.....	Low 3.57:1

PERFORMANCE

Computed grade ability in lowest gear, loaded	(percent) 32
Fuel consumption, loaded	(mpg) 14
Cruising range, loaded	(mi) 280
Allowable speed, recommended	(mph) 70

ENGINE

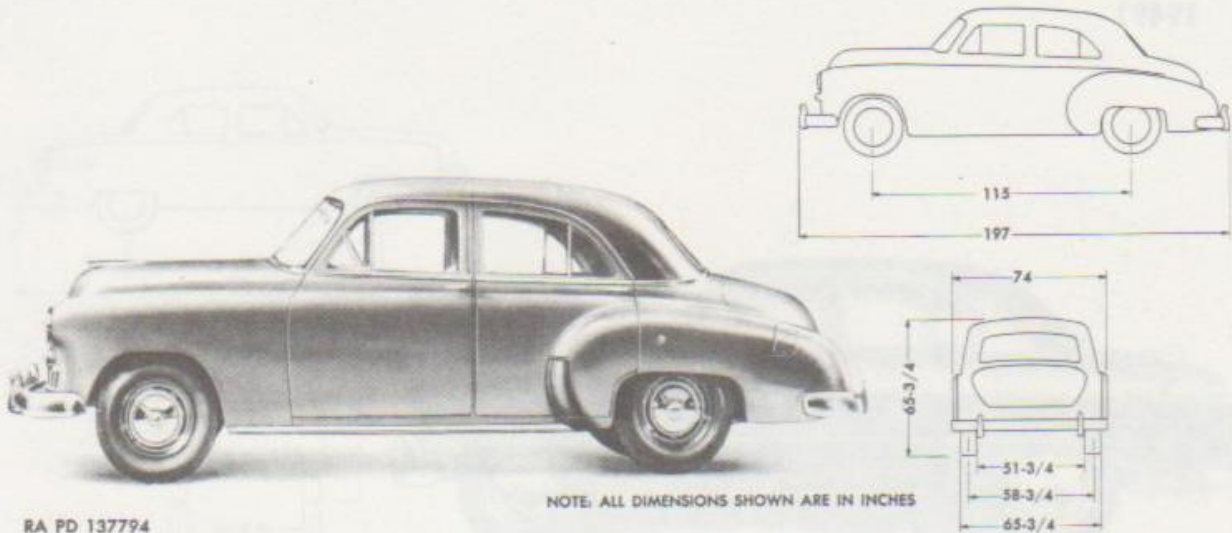
Manufacturer: Chrysler.....	Model C-50
Type: 4-cycle, valve-in-head.....	No. of cylinders (90-deg V) 8
Displacement	(cu in.) 331
Bore	(in.) 3 1/4
Stroke	(in.) 3 3/4
Compression ratio	7.5:1
Governed speed	not governed
Brake horsepower, gross	180 at (rpm) 4,000
Torque, maximum gross	312 lb-ft at (rpm) 2,000

ADDITIONAL DATA

Rear axle, type	hypoid, semifloating
Transmission, type	hydraulic, prestomatic

AUTOMOBILE, SEDAN, LIGHT, 5-PASSENGER

(Chevrolet, Models KB, 1940; 1503-AG, 1941; 1503-BG, 1942; 1553-GJ, 1949;
and 1503-GJ, 1949)



RA PD 137794

Vehicle illustrated: Model 1503-GJ, 1949.
Classification: Standard.

Purpose: To transport personnel.

GENERAL DATA

Crew	1; Passengers (including crew) 5
Weight (lb)	Net 3,220; Payload 800; Gross 4,020
Rear-axle gear ratio	4.11:1
Axle load (lb):	
Empty	front 1,740; rear 1,480
Loaded	front 2,010; rear 2,010
Tires:	
Ply 4; Size 6.70x16; Pressure	(psi) 24
Tread, center-to-center, front	(in.) 57
Shipping dimensions, uncrated	(cu ft) 550; (sq ft) 100
Ground clearance	(in.) 8 1/2
Electrical system	(volts) 6
No. of batteries	1
Type of ground	negative
Fuel octane rating	72
Capacities:	
Fuel	(gal) 16
Cooling system (qt)	w/o heater 18; w/heater 16
Crankcase, refill	(qt) 5
Transmission	(qt) 34
Rear axle	(qt) 1 1/4
Brakes:	
Manufacturer; Chevrolet	Type; hydraulic
Parking brake, type	rear-wheel
Transmission forward speeds	3
Gear ratio	High 1:1; Low 2.94:1

PERFORMANCE

Computed grade ability in lowest gear, loaded	(percent) 35
Turning radius (ft)	right 19; left 20
Fording depth	(in.) 15
Fuel consumption, loaded	(mpg) 14
Cruising range, loaded	(mi) 224
Allowable speed, recommended	(mph) 70

ENGINE

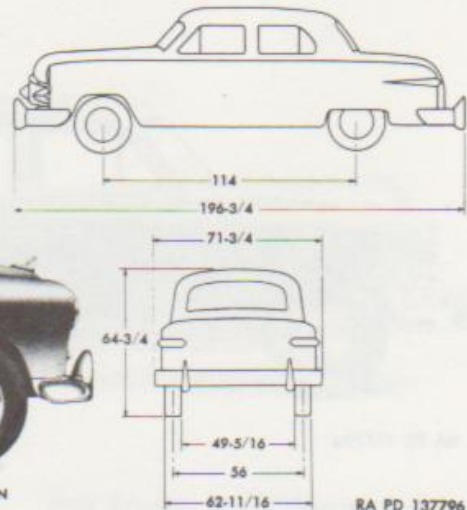
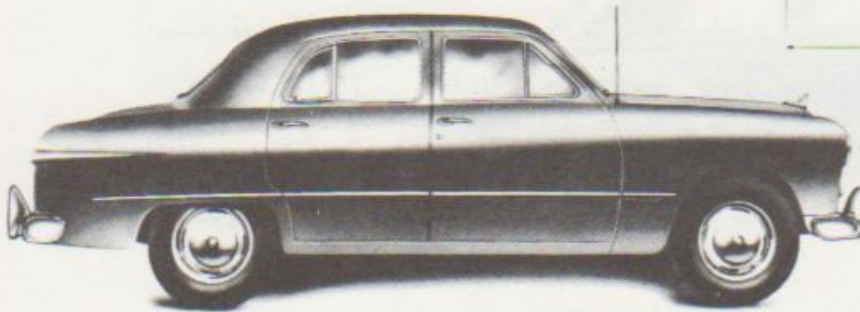
Manufacturer: Chevrolet	Model GAA or GAM 1001 up
Type: Valve-in-head, 4-cycle	No. of cylinders (in line) 6
Displacement	(cu in.) 216.5
Bore	(in.) 3 1/2
Stroke	(in.) 3 3/4
Compression ratio	6.6:1
Governed speed	not governed
Brake horsepower (max w/std accessories)	83 at (rpm) 3,200
Torque (max w/std accessories)	168 lb-ft at (rpm) 1,100

ADDITIONAL DATA

Transmission, type	synchromesh
Rear axle, type	hypoid, semifloating
Differences in data for Models KB, 1940; 1503-AG, 1941; and 1503-BG, 1942 are as follows:	
Tires:	
Ply 4; Size 6.00x16; Pressure	(psi) front 28; rear 30
Tread, center-to-center, front	(in.) 57 1/2
Engine	Model 2AA or 2AC or BA 1001 up

AUTOMOBILE, SEDAN, LIGHT, 5-PASSENGER

(Ford, Models 01A, 8-cyl, 112-in WB, 1940; 1GA73A, B, and C, 6-cyl, 114-in WB, 1941; 11A73A, B, and C (11AS73C), 8-cyl, 114-in WB, 1941; 2GA73A, B, and C, 6-cyl, 114-in WB, 1942; 21A73A, B, and C, 8-cyl, 114-in WB, 1942; 79A, 1947; and 98HA, 1949)



NOTE: ALL DIMENSIONS SHOWN
ARE IN INCHES

RA PD 137796

Technical Manual: 10-1375; Supply Catalog: SNL G-522.

Vehicle illustrated: Model 98HA, 1949.
Classification: Standard.

GENERAL DATA

Crew	1; Passengers (including crew) 5
Weight (lb)	Net 3,395; Payload 775; Gross 4,170
Rear-axle gear ratio	3.78:1
Axle load (lb):	
Empty	front 1,765; rear 1,630
Loaded	front 1,967; rear 2,203
Tires:	
Ply 6; Size 6.00 x 16; Pressure	(psi) 35
Tread, center-to-center, front	(in.) 58
Shipping dimensions, uncrated	(cu ft) 560; (sq ft) 99
Ground clearance	(in.) 7 1/4
Electrical system	(volts) 6
No. of batteries	1
Type of ground	positive
Fuel octane rating	72
Capacities:	
Fuel	(gal) 17
Cooling system	(qt) 15
Crankcase, refill	(qt) 5
Transmission	(qt) 13 1/2
Rear axle	(qt) 13 1/2
Brakes:	
Manufacturer; Ford-Wagner	Type; hydraulic
Parking brake, type	rear-wheel
Transmission for ward speeds	3
Gear ratio: High 1:1	Low 3.11:1

PERFORMANCE

Computed grade ability in lowest gear, loaded	(percent) 36
Turning radius	(ft) 20 1/4
Fording depth	(in.) 18 3/4
Fuel consumption, loaded	(mpg) 13
Cruising range, loaded	(mi) 221
Allowable speed, (recommended)	(mph) 70

Purpose: To transport personnel.

ENGINE

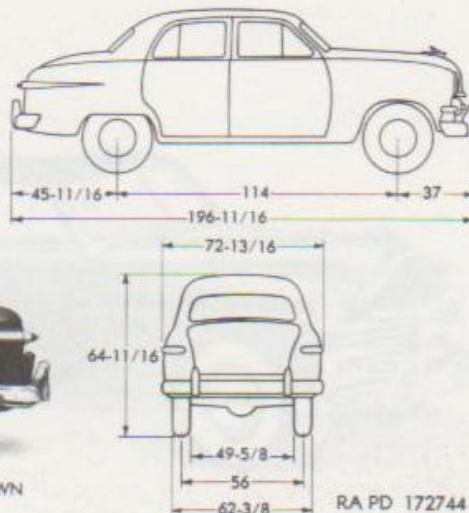
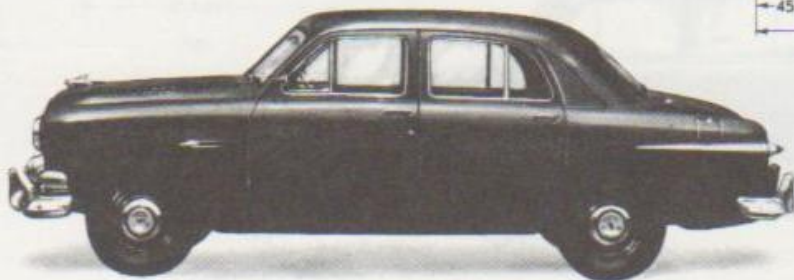
Manufacturer: Ford	Part No. (6-cyl) FM-2GA-6005
	(8-cyl, 100-hp) FM-59A-6005
	(8-cyl, 90-hp) FM-01A-6005
	FM-21A-6005
	FM-41A-6011B
Type: L-head, 4-cycle	No. of cylinders (in line) 6; (90-deg V) 8
Displacement: (cu in)	(6-cyl) 226
	(8-cyl, 100-hp) 239.4
	(8-cyl, 90-hp) 221
Bore: (in.)	(6-cyl) 3.3
	(8-cyl, 100-hp) 3 3/8
	(8-cyl, 90-hp) 3 1/8
Stroke: (in.)	(6-cyl) 4.4
	(8-cyl, 100-hp) 3 3/4
	(8-cyl, 90-hp) 3 3/4
Compression ratio	(6-cyl) 7.6:1
	(8-cyl, 100-hp) 6.4:1
	(8-cyl, 90-hp) 6.2:1
Governed speed	not governed
Brake horsepower (max w/std accessories)	(6-cyl) 90
	(8-cyl) 90 and 100
Torque (max) (lb.-ft.):	
(6 cyl)	180 at (rpm) 1,200
(8-cyl, 100-hp)	176 at (rpm) 2,000
(8-cyl, 90-hp)	156 at (rpm) 2,300

ADDITIONAL DATA

Transmission, type	synchromesh
Rear axle, type:	
(late models)	hypoid, semifloating
(early models)	spiral-bevel, semifloating

AUTOMOBILE, SEDAN, LIGHT, 5-PASSENGER

(Ford, Model 1HA, 1951)



NOTE: ALL DIMENSIONS SHOWN ARE IN INCHES

RA PD 172744

Classification: Standard.

Purpose: To transport personnel.

GENERAL DATA

Crew	1; Passengers (including crew) 5
Weight (lb)	Net 3,200
Payload.....	775
Gross.....	3,975
Rear-axle gear ratio	3.73:1
Axle-load (lb):	
Empty.....	front 1,600; rear 1,540
Loaded.....	front 1,705; rear 2,180
Tires:	
Ply 4; Size 6.00 x 16; Pressure (psi) front 28, rear 25.	
Tread, center-to-center, front.....	(in.) 50
Shipping dimensions, uncrated: (cu ft) 535.....	(sq ft) 98
Vehicle dimensions:	
Ground clearance.....	(in.) 6 3/4
Electrical system	(volts) 6
No. of batteries.....	1
Type of ground.....	positive
Fuel octane rating	72
Capacities:	
Fuel.....	(gal) 16
Cooling system.....	(qt) 16
Crankcase, refill.....	(qt) 5
Transmission.....	(qt) 13 1/4
Rear axle.....	(qt) 13 1/4
Brakes:	
Manufacturer; Ford.....	Type; hydraulic
Parking brake, type.....	rear-wheel
Transmission for ward speeds	3
Gear ratio: High 1:1.....	Low 2.819:1

PERFORMANCE

Computed grade ability in lowest gear, loaded	(percent) 36
Turning radius	(ft) 20
Fording depth	(in.) 18
Fuel consumption, loaded	(mpg) 17
Cruising range, loaded	(mi) 272
Allowable speed, recommended	(mph) 70

ENGINE

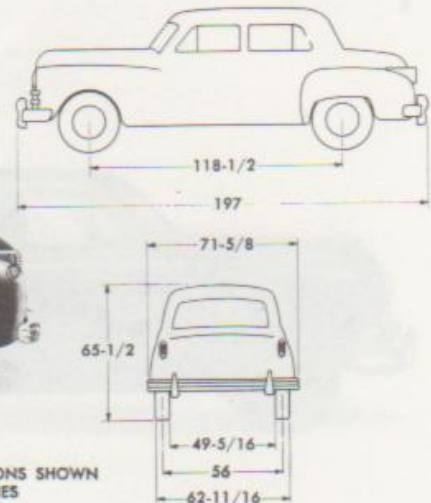
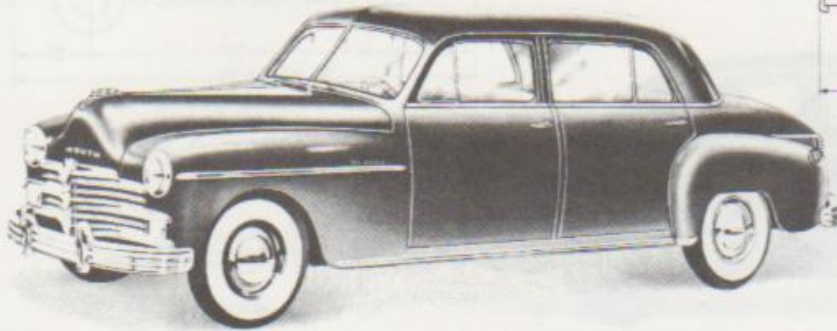
Manufacturer: Ford.....	Model Series H
Type: 4-cycle, L-head.....	No. of cylinders (in line) 6
Displacement	(cu in.) 226
Bore	(in.) 3.3
Stroke	(in.) 4.4
Compression ratio	6.8:1
Governed speed	not governed
Brake horsepower (max w/std accessories)	95 at (rpm) 3,300
Torque (max w/std accessories)	180 lb-ft at (rpm) 1,200

ADDITIONAL DATA

Rear axle, type	hypoid, semifloating
Transmission, type	synchromesh

AUTOMOBILE, SEDAN, LIGHT, 5-PASSENGER

(Plymouth, Models P9, 1940; P11, 1941; P14, 1942; P15S, 1947-48; and P18, 1949)



NOTE: ALL DIMENSIONS SHOWN
ARE IN INCHES

RA PD 137730

Technical Manuals: 10-1151; (Model P9) 10-1149 (Model P11); Supply Catalog: SNL G-521 (Models P11 and P14).

Vehicle illustrated: Model P18, 1949.
Classification: Standard.

Purpose: To transport personnel.

GENERAL DATA

Crew	1; Passengers (including crew) 5
Weight (lb)	Net 3,175; Payload 750; Gross 3,925
Rear-axle gear ratio	3.9:1
Axle load (lb):	
Empty	front 1,705; rear 1,470
Loaded	front 1,934; rear 1,991
Tires:	
Ply 4; Size 6.00 x 16; Pressure	(psi) 28
Tread, center-to-center, front	(in.) 57
Shipping dimensions, uncrated	(cu ft) 536; (sq ft) 100
Ground clearance	(in.) 8 1/2
Electrical system	(volts) 6
No. of batteries	1
Type of ground	positive
Fuel octane rating	72
Capacities:	
Fuel	(gal) 17
Cooling system	(qt) 15
Crankcase, refill	(qt) 5
Transmission	(qt) 1 1/4
Rear axle	(qt) 1 1/4
Brakes:	
Manufacturer: Chrysler	Type: hydraulic
Parking brake, type	transmission
Transmission for ward speeds	3
Gear ratio	High 1:1; Low 2.57:1

PERFORMANCE

Computed grade ability in lowest gear, loaded	(percent) 35
Turning radius	(ft) 20
Fuel consumption, loaded	(mpg) 17
Cruising range, loaded	(mi) 280
Allowable speed, recommended	(mph) 70

ENGINE

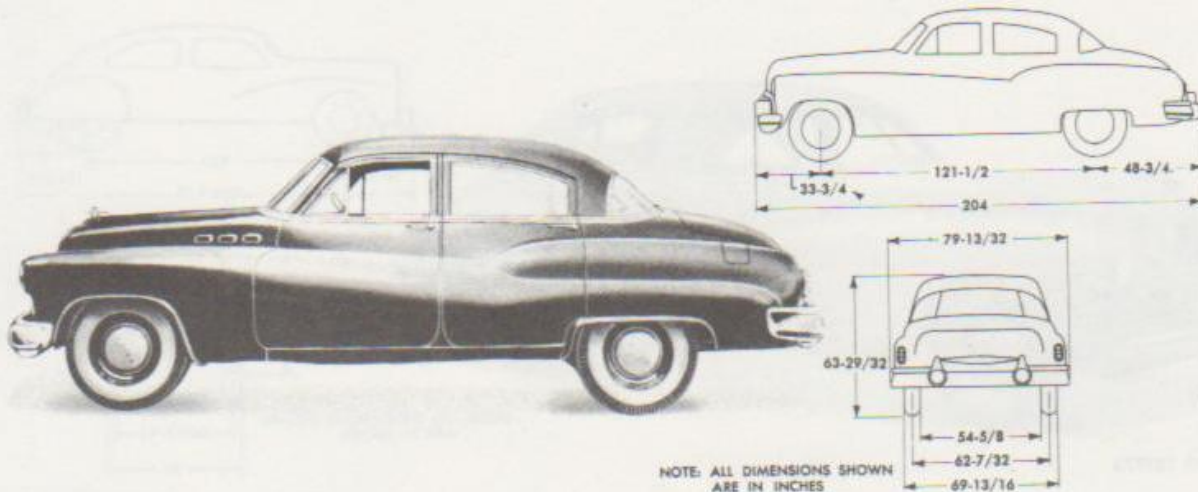
Manufacturer	Chrysler
Type	L-head, 4-cycle; No. of cylinders (in line) 6
Displacement	(cu in.) 217.8
Bore	(in.) 3 1/4
Stroke	(in.) 4 3/4
Compression ratio	5.6:1
Governed speed	not governed
Brake horsepower (max w/std accessories)	95 at (rpm) 3,600
Torque (max)	172 lb-ft at (rpm) 1,200

ADDITIONAL DATA

Transmission, type	synchronesh
Rear axle, type	hypoid, semifloating
Differences in data for Model P18, 1949.	
Tires:	
Ply 4; Size 6.70 x 15; Pressure	(psi) 24
Tread, center-to-center, front	(in.) 55
Compression ratio	7:1
Brake horsepower (max w/std accessories)	97 at (rpm) 3,600
Torque (max w/std accessories)	175 lb-ft at (rpm) 1,200

AUTOMOBILE, SEDAN, MEDIUM, 5-PASSENGER

(Buick, Model 41, 1948 and Model 41, 1950)



RA PD 137717

Vehicle illustrated: Model 41, 1950.
Classification: Standard.

Purpose: To transport personnel.

GENERAL DATA

Crew.....1; Passengers (including crew) 5
Weight (lb).....Net 3,786; Payload 750; Gross 4,536
Rear-axle gear ratio.....4.1:1
Axle load (lb):
Empty.....front 1,986; rear 1,800
Loaded (5 pass).....front 2,185; rear 2,351
Tires:
Ply 4; Size 7.60 x 15; Pressure.....(psi) 24
Tread, front, center-to-center.....(in.) 59 1/4
Shipping dimensions, uncrated.....(cu ft) 590; (sq ft) 112
Ground clearance.....(in.) 6 1/4
Electrical system.....(volts) 6
No. of batteries.....1
Type of ground.....negative
Fuel octane rating.....72
Capacities:
Fuel.....(gal) 19
Cooling system.....(qt) w/o heater 13; w/heater 14 1/2
Crankcase, refill.....(qt) 4 1/2
Transmission.....(qt) 7 1/2
Rear axle.....(qt) 2
Brakes:
Manufacturer; Bendix or Delco.....Type: hydraulic
Parking brake, type.....rear-wheel
Transmission forward speeds.....3
Gear ratio.....High 1:1; Low 2.07:1

PERFORMANCE

Computed grade ability in lowest gear, loaded.....(percent) 48
Turning radius.....(ft) 20
Fuel consumption, loaded.....(mpg) 17
Cruising range, loaded.....(mi) 320
Allowable speed, recommended.....(mph) 70

ENGINE

Manufacturer: Buick.....Model 1950-41
Type: Valve-in-head, 4-cycle.....No. of cylinders (in line) 8
Displacement.....(cu in.) 248.1
Bore.....(in.) 3 3/4
Stroke.....(in.) 4 1/4
Compression ratio.....6.6:1
Governed speed.....not governed
Brake horsepower (max w/std accessories).....110 at (rpm) 3,600
Torque (max).....212 lb-ft at (rpm) 2,000

ADDITIONAL DATA

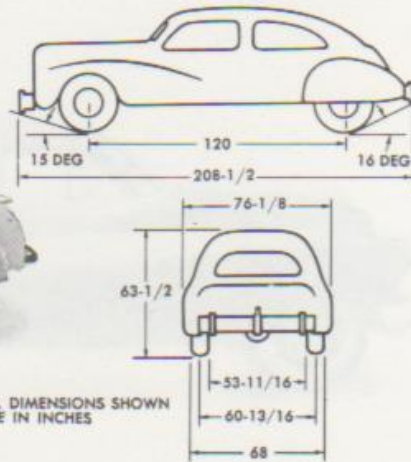
Transmission, type.....synchronesh
Rear axle, type.....hypoid, semifloating

AUTOMOBILE, SEDAN, MEDIUM, 5-PASSENGER

(Packard, Models 1803, 1940; 1903, 1941; 2003, 1942)



RA PD 137770



NOTE: ALL DIMENSIONS SHOWN ARE IN INCHES

Supply Catalogue: SNL G-644.

Vehicle illustrated: Model 2003, 1942.
Classification: Standard.

Purpose: To transport personnel.

GENERAL DATA

Crew	1 Passengers (including crew)	6
Weight (lb)	Net 3,560; Payload 850; Gross 4,410	
Rear-axle gear ratio		4.1:1
Axle load (lb):		
Empty	front 1,873; rear 1,687	
Loaded	front 2,078; rear 2,332	
Tires:		
Ply 4; Size 6.50x15; Pressure		(psi) 28
Tread, center-to-center, front		(in.) 59 1/4
Shipping dimensions, uncrated		(cu ft) 597; (sq ft) 106
Ground clearance		(in.) 6 1/4
Electrical system		(volts) 6
No. of batteries		1
Type of ground		positive
Fuel octane rating		70
Capacities:		
Fuel		(gal) 17
Cooling system		(qt) 17
Crankcase, refill		(qt) 5 1/4
Transmission		(qt) 1
Rear axle		(qt) 2 1/4
Brakes:		
Manufacturer; Packard	Type; hydraulic	
Parking brake, type		rear-wheel
Transmission for forward speeds		3
Gear ratio	High 1:1; Low 2.43:1	

PERFORMANCE

Computed grade ability in lowest gear, loaded	(percent)	33
Turning radius	(ft)	21
Fording depth	(in.)	18 1/4
Fuel consumption, loaded	(mpg)	13
Cruising range, loaded	(mi)	220
Allowable speed, recommended	(mph)	70

ENGINE

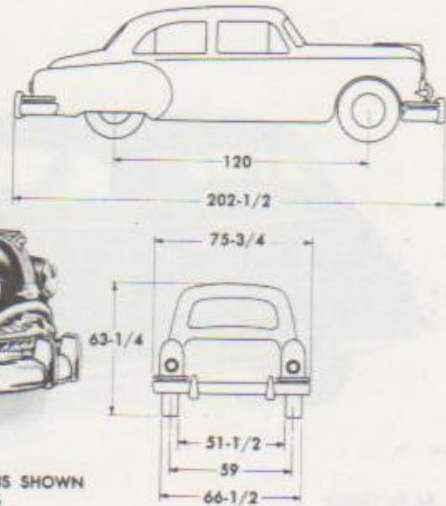
Manufacturer; Packard	Model 2001
Type; L-head, 4-cycle	No. of cylinders (in line) 8
Displacement	(cu in.) 282
Bore	(in.) 3 1/4
Stroke	(in.) 4 1/4
Compression ratio	6.85:1
Governed speed	not governed
Brake horsepower (max w/std accessories)	125 at (rpm) 3,600
Torque (max)	230 lb-ft at (rpm) 2,000

ADDITIONAL DATA

Transmission, type	synchronesh
Rear axle, type	hypoid, semifloating

AUTOMOBILE, SEDAN, MEDIUM, 5-PASSENGER

(Pontiac, Chieftain, 6-cyl, 1949 and 8-cyl, 1949)



NOTE: ALL DIMENSIONS SHOWN ARE IN INCHES

RA PD 137728

Classification: Standard.

Purpose: To transport personnel.

GENERAL DATA

Crew	1; Passengers (including crew) 5
Weight (lb)	Net 3,440; Payload 850; Gross 4,290
Rear-axle gear ratio	4.1:1
Axle load (lb):	
Empty	front 1,870; rear 1,570
Loaded	front 2,075; rear 2,215
Tires:	
Ply 4; Size 7.10 x 15; Pressure	(psi) 24
Tread, center-to-center, front	(in.) 58
Shipping dimensions, uncreated	(cu ft) 562; (sq ft) 107
Ground clearance	(in.) 6 3/4
Electrical system	(volts) 6
No. of batteries	1
Type of ground	negative
Fuel octane rating	75
Capacities:	
Fuel	(gal) 17 1/2
Cooling system (qt)	w/o heater 18 1/4; w/heater 19 1/4
Crankcase, refill	(qt) 5
Transmission	(qt) 5 1/2
Rear axle	(qt) 1 1/2
Brakes:	
Manufacturer, Bendix	Type; hydraulic
Parking brake, type	rear-wheel
Transmission for ward speeds	3
Gear ratio	High 1:1; Low 2.67:1

PERFORMANCE

Computed grade ability in lowest gear, loaded	(percent) 32
Turning radius	(ft) 20
Fuel consumption, loaded	(mpg) 16
Cruising range	(mi) 280
Allowable speed, recommended	(mph) 70

ENGINE

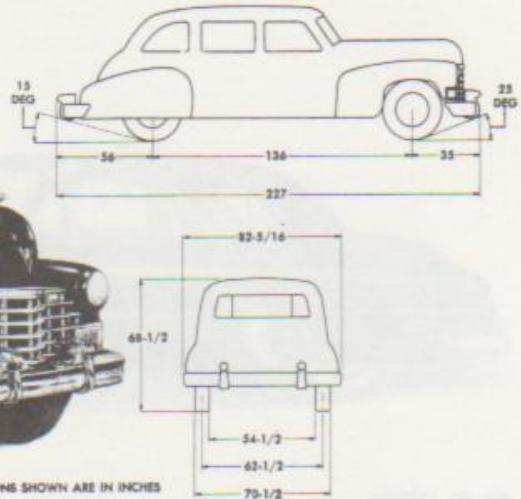
Manufacturer: Pontiac	Model: none
Type: L-head, 4-cycle	No. of cylinders (in line) 6
Displacement	(cu in.) 239.2
Bore	(in.) 3 1/4
Stroke	(in.) 4
Compression ratio	6.5:1
Governed speed	not governed
Brake horsepower, (max w/std accessories)	90 at (rpm) 3,400
Torque (max)	178 lb-ft at (rpm) 1,200

ADDITIONAL DATA

Rear axle, type	hypoid, semi-floating
Transmission, type	synchromesh
Data given for 6-cyl model. Changes in data for 8-cyl engine are as follows:	
No. of cylinders	(in line) 8
Displacement	(cu in.) 248.9
Bore	(in.) 3 1/4
Stroke	(in.) 3 3/4
Brake horsepower (gross)	104 at (rpm) 3,800
Torque (max gross)	190 lb-ft at (rpm) 2,200

AUTOMOBILE, SEDAN, HEAVY, 5-PASSENGER

(Cadillac, Model 75, 1948)



NOTE: ALL DIMENSIONS SHOWN ARE IN INCHES

RA PD 137800

Classification: Nonclassified.

Purpose: To transport personnel.

GENERAL DATA

Crew	1; Passengers (including crew) 5
Weight (lb)	Net 5,047; Payload 900; Gross 5,947
Rear-axle gear ratio	Standard 4.22:1; Hydramatic 3.77:1
Axle load (lb):	
Empty	front 2,410; rear 2,637
Loaded	front 2,660; rear 3,287
Tires:	
Ply 6; Size 7.50 x 16; Pressure	(psi) front 24; rear 32
Tread, center-to-center	(in.) 58½
Shipping dimensions, uncrated	(cu ft) 737; (sq ft) 130
Ground clearance	(in.) 9
Electrical system	(volts) 6
No. of batteries	1
Type of ground	negative
Fuel octane rating	80
Capacities:	
Fuel	(gal) 24
Cooling system (qt)	w/o heater 25; w/heater 26
Crankcase, refill	(qt) 7
Transmission	(qt) 1¼
Rear axle	(qt) 2½
Brakes:	
Manufacturer; Bendix	Type; hydraulic
Parking brake, type	rear-wheel
Transmission for ward speeds	Standard 3; Hydramatic 4
Gear ratio:	
Standard	High 1:1; Low 2.39:1
Hydramatic	High 1:1; Low 3.819:1

PERFORMANCE

Computed grade ability in lowest gear, loaded	(percent) 31
Turning radius	(ft) 23
Fording depth	(in.) 9
Fuel consumption, loaded	(mpg) 12
Cruising range, loaded	(mi) 288
Allowable speed, recommended	(mph) 70

ENGINE

Manufacturer; Cadillac	Model 1948
Type; L-head, 4-cycle	No. of cylinders (90-deg V) 8
Displacement	(cu in.) 346
Bore	(in.) 3¼
Stroke	(in.) 4¼
Compression ratio	7.25:1
Governed speed	not governed
Brake horsepower (max w/std accessories)	130 at (rpm) 3,200
Torque (max)	272 lb-ft at (rpm) 1,800

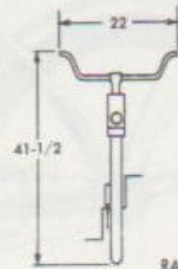
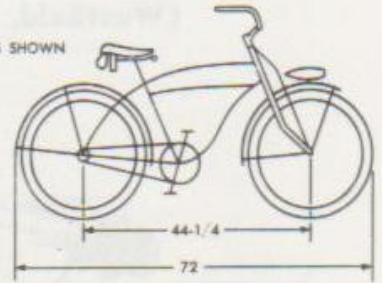
ADDITIONAL DATA

Transmission, type	synchromesh or hydramatic
Rear axle, type	full-floating

**BICYCLE, MILITARY, MEN'S, M305, AND BICYCLE, MILITARY, MEN'S
(Westfield, Columbia, Series MF and MG, 1942-43)**



NOTE: ALL DIMENSIONS SHOWN
ARE IN INCHES



RA PD 137779

Supply Catalog: SNI, G-519.

Vehicle illustrated: M305.
Classification: Standard.

Purpose: To transport personnel for messenger or dispatch service.

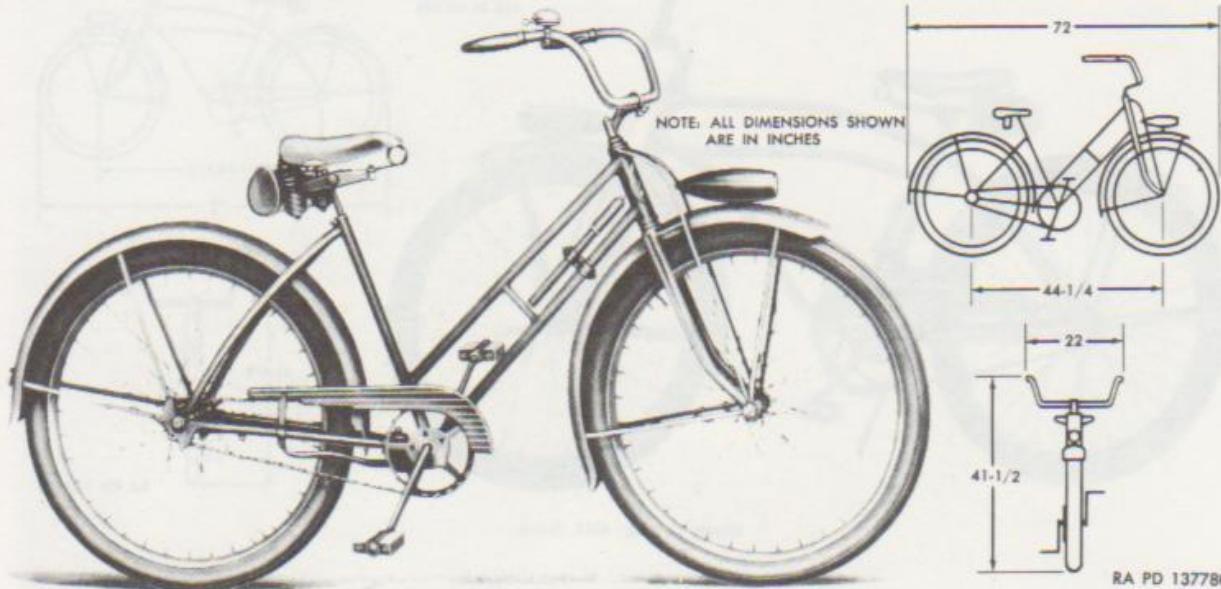
GENERAL DATA

Crew 1
Weight (lb) Net 55; Payload 200
Shipping dimensions, uncrated (cu ft) 40; (sq ft) 12
Tires Ply 2; Size 26 x 2.125; Pressure (psi) 22
Type of drive chain

ADDITIONAL DATA

BICYCLE, MILITARY, WOMEN'S, M306, AND BICYCLE, MILITARY, WOMEN'S

(Westfield, Columbia, Series MF and MG, 1942-43)



Technical Manual: 10-1481; Supply Catalog: SNL G-519.

Classification: Standard.

Purpose: To transport personnel for messenger or dispatch service.

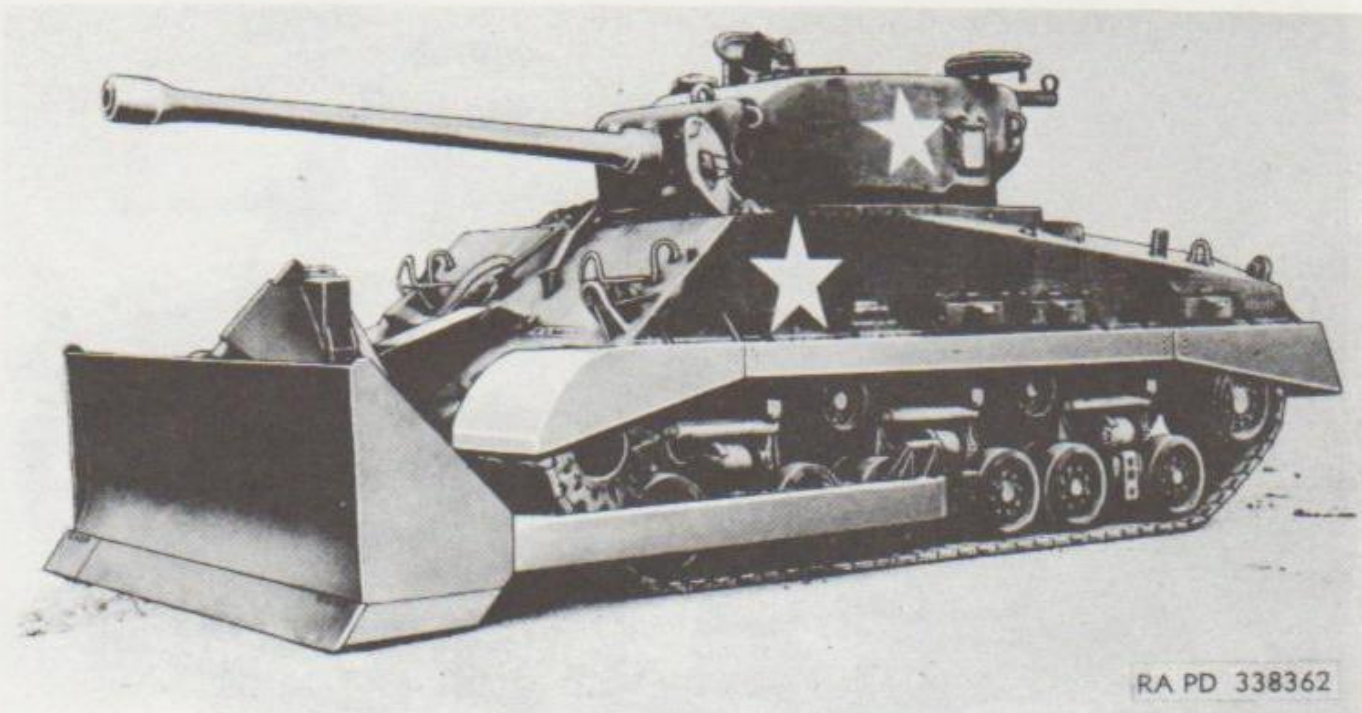
GENERAL DATA

Crew.....	1
Weight (lb).....	Net 52; Payload 175
Shipping dimensions, uncrated.....	(cu ft) 40; (sq ft) 12
Tires.....	Ply 2; Size 26 x 2.125; Pressure (psi) 22
Type of drive.....	chain

ADDITIONAL DATA

BULLDOZER, TANK-MOUNTING, M1 AND M1A1

(Mounted on medium tank M4 series)



RA PD 338362

Technical Manual: 9-719; Supply Catalog: SNL G-228.

Bulldozer illustrated: M1A1 (mounted on medium tank, M4A3).

Classification: Limited Standard.

Purpose: To be mounted on medium tanks of the M4 series for moving earth. The M1 is applicable to those having standard vertical volute suspension; the M1A1 is applicable to all tanks of this series.

GENERAL DATA

Weight (net increase to vehicle weight, including oil) (lb).....M1 7,100;
M1A1 7,400
Moldboard length (in.).....M1 124; M1A1 138
Moldboard height.....(in.) 48
Relation of moldboard cutting edge to ground:
Highest position above (in).....M1 30; M1A1 42
Lowest position below.....(in.) 18

PERFORMANCE

Lift load (on blade) (lb).....M1 4,000; M1A1 5,000

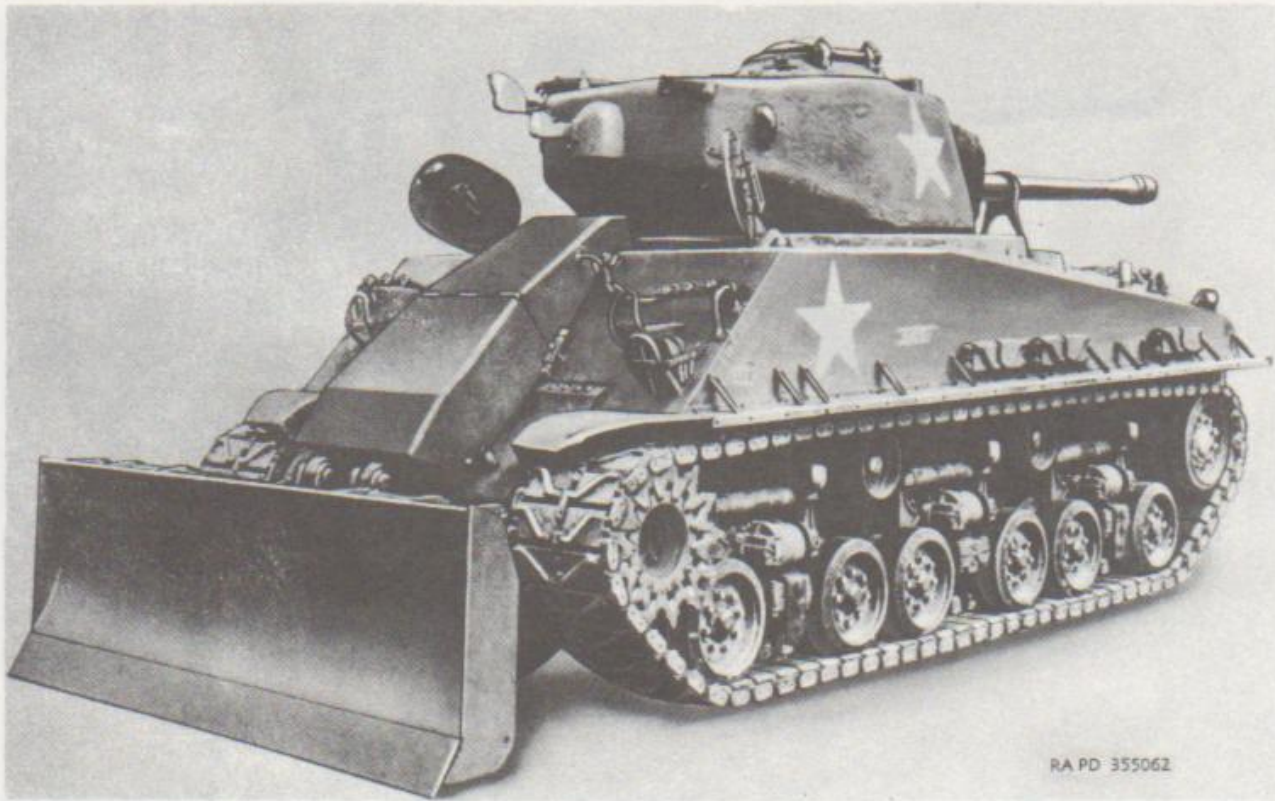
ADDITIONAL DATA

Blade can be jettisoned from inside of tank.

21F-0 MT

BULLDOZER, TANK-MOUNTING, M2

(Mounted on medium tank M4A3)



RA PD 355062

Technical Manual: 9-722; Supply Catalog: SNL G-228.

Classification: Standard.

Purpose: To be mounted on Medium Tank, M4A3, 76-mm Gun for moving earth.

GENERAL DATA

Weight (net increase to vehicle weight, including oil)	(lb) 6,000
Moldboard length	(in.) 124
Moldboard height	(in.) 36 $\frac{1}{4}$
Reversible moldboard cutting edge	(in.) 124 x 8 x $\frac{3}{4}$
Angle of moldboard cutting edge (with horizontal):	
At ground level	(deg) 58
At lowest position	(deg) 65
Relation of moldboard cutting edge to ground:	
Carrying position, above	(in.) 29
Highest position, above	(in.) 30 $\frac{1}{4}$
Lowest position, below	(in.) 12 $\frac{1}{4}$
Vehicle angle of approach:	
Blade in carrying position	(deg) 24
Blade in highest position	(deg) 25

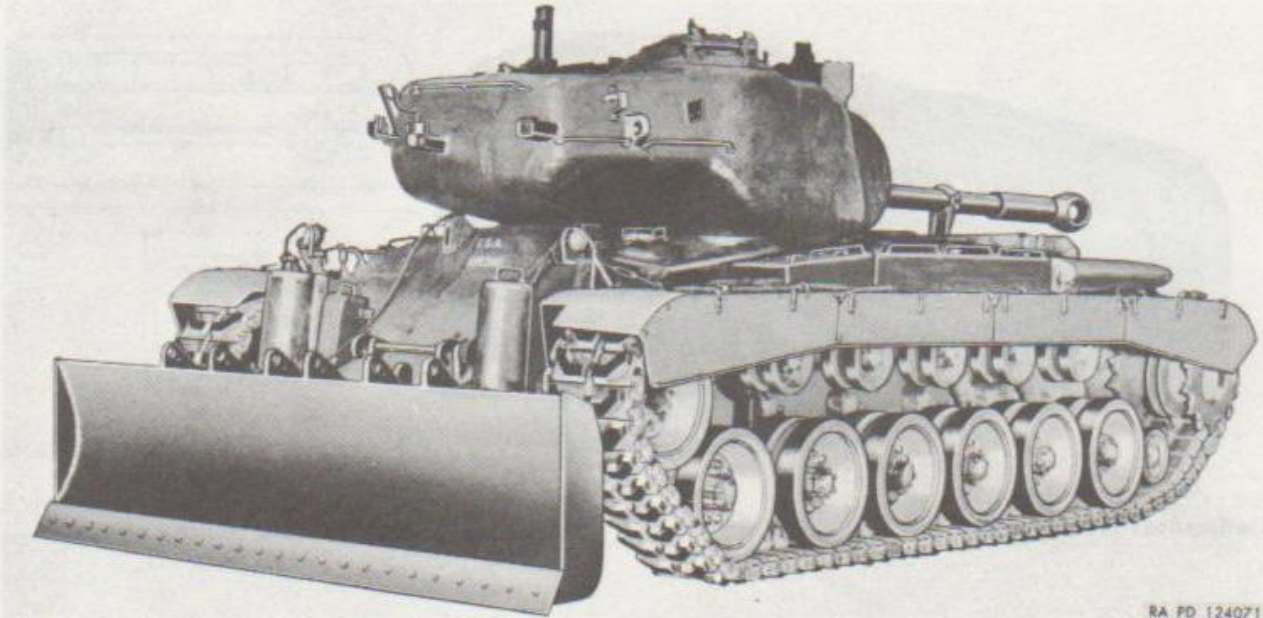
PERFORMANCE

Rate of lift:	
Vehicle engine at 1,500 rpm	(in. per sec) 5.83
Vehicle engine at 2,100 rpm	(in. per sec) 7.26
Forward speed of vehicle while bulldozing (vehicle in low gear with engine at 1,500 rpm)	(mph) 1 to 3
Recommended maximum speed of vehicle with bulldozer attached	(mph) 15

ADDITIONAL DATA

BULLDOZER, TANK-MOUNTING, M3

(Mounted on medium tank M46)



RA PD 124071

Technical Manual: 9-723; Supply Catalog: SNL G-246.

Classification: Standard.

Purpose: To be mounted on Medium Tank, M46 for moving earth.

GENERAL DATA

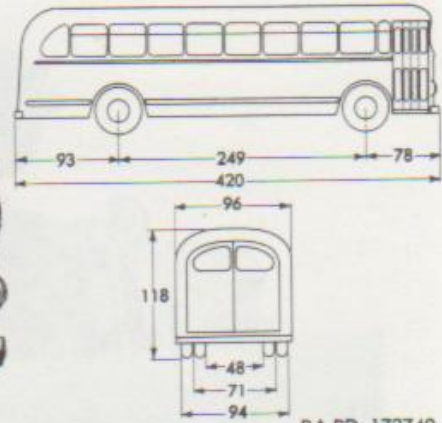
Weight (net increase to vehicle weight, including oil).....	(lb.) 6,000
Moldboard length.....	(in.) 124
Moldboard height.....	(in.) 36 3/4
Reversible moldboard cutting edge.....	(in.) 146 x 8 x 3 1/2
Angle of moldboard cutting edge (with horizontal):	
At ground level.....	(deg) 58
At lowest position.....	(deg) 60
Relation of moldboard cutting edge to ground:	
Carrying position, above.....	(in.) 29
Highest position, above.....	(in.) 30 1/4
Lowest position, below.....	(in.) 9
Vehicle angle of approach:	
Blade in carrying position.....	(deg) 21
Blade in highest position.....	(deg) 25

PERFORMANCE

Rate of lift:	
Vehicle engine at 1,500 rpm.....	(in. per sec) 5.50
Vehicle engine at 2,100 rpm.....	(in. per sec) 7.75
Forward speed of vehicle while bulldozing (vehicle in low gear with engine at 1,500 rpm).....	
	(mph) 1 to 2
Recommended maximum speed of vehicle with bulldozer attached	
	(mph) 15

ADDITIONAL DATA

BUS, AMBULANCE, 18-LITTER, 4 x 2 (ACF-Brill)



NOTE: ALL DIMENSIONS SHOWN
ARE IN INCHES

RA PD 172740

Classification: Nonclassified.

Purpose: To transport sick and wounded personnel.

GENERAL DATA

Crew.....	2; Passengers (including crew) 20
Weight (lb).....	Net 18,080
Rear-axle gear ratio.....	5.143:1
Axle load (lb):	
Empty, front 7,600.....	rear 10,480
Tires:	
Ply 12; Size 11.00 x 20; Pressure.....	(psi) 70
Tread, center-to-center, front.....	(in.) 80 3/4
Shipping dimensions, uncrated.....	(cu ft) 2,800; (sq ft) 280
Vehicle dimensions:	
Ground clearance.....	(in.) 8 1/4
Step height, empty.....	(in.) 15 3/4
Electrical system	(volts) 12
No. of batteries.....	1
Type of ground.....	positive
Fuel octane rating	75
Capacities:	
Fuel.....	(gal) 107
Cooling system, w/heater.....	(qt) 80
Crankcase, refill.....	(qt) 24
Transmission.....	(qt) 10
Rear axle.....	(qt) 13
Brakes:	
Manufacturer; Timken-Bendix.....	Type; air
Parking brake, type.....	transmission
Transmission forward speeds	3
Gear ratio.....	High 1:1; Low 3.32:1

PERFORMANCE

Computed grade ability in lowest gear, loaded.....	(percent) 16
Turning radius (ft).....	right 41; left 39 1/4
Fuel consumption, loaded.....	(mpg) 4
Cruising range, loaded.....	(mi) 428
Allowable speed, governed.....	(mph) 51

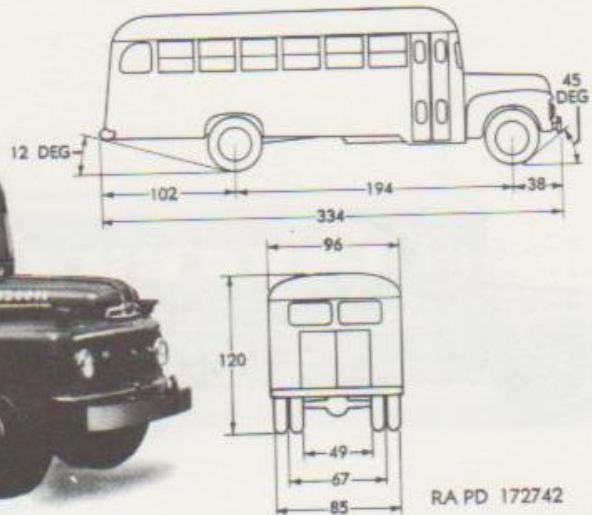
ENGINE

Manufacturer: Hall-Scott.....	Model 180
Type.....	4-cycle, valve-in-head
No. of cylinders.....	(horizontal, in line) 6
Displacement.....	(cu in.) 707
Bore.....	(in.) 5
Stroke.....	(in.) 6
Compression ratio.....	6:1
Governed speed.....	(rpm) 2,200
Brake horsepower (max w/std accessories).....	208 at (rpm) 2,200
Torque (max w/std accessories).....	540 lb-ft at (rpm) 1,200

ADDITIONAL DATA

Rear axle, type.....	spiral-bevel, full-floating
Transmission, type.....	synchromesh

BUS, BODY ON CHASSIS, 29-PASSENGER, 4 x 2 (Ford, Model F-5)



RA PD 172742

Classification: Nonclassified.

Purpose: To transport personnel.

GENERAL DATA

Crew	1; Passengers (including crew) 30
Weight (lb)	Net 9,750
Payload	8,250
Gross	15,000
Rear-axle gear ratio (two-speed)	High 5.83:1; Low 8.11:1
Axle load (lb):	
Empty	front 3,300; rear 6,550
Loaded	front, 4,050; rear 10,950
Tires:	
Ply 10	Size 8.25 x 20; Pressure (psi) 65
Tread, center-to-center, front	(in.) 58½
Shipping dimensions, uncrated	(cu ft) 2,220; (sq ft) 222
Vehicle dimensions:	
Ground clearance	(in.) 10¼
Step height, empty	(in.) 16
Electrical system	(volts) 6
No. of batteries	1
Type of ground	positive
Fuel octane rating	71
Capacities:	
Fuel	(gal) 30
Cooling system, w/o heater	(qt) 15
Crankcase, refill	(qt) 5
Transmission	(qt) 4
Rear axle	(qt) 7½
Brakes:	
Manufacturer; Ford	Type; hydrovac
Parking brake, type	transmission
Transmission forward speeds	4
Gear ratio: High 1:1	Low 6.4:1

PERFORMANCE

Computed grade ability in lowest gear, loaded	(percent) 38
Turning radius	(ft) 32
Fording depth	(in.) 24
Fuel consumption, loaded	(mpg) 8
Cruising range, loaded	(mi) 240
Allowable speed, governed	(mph) 60

ENGINE

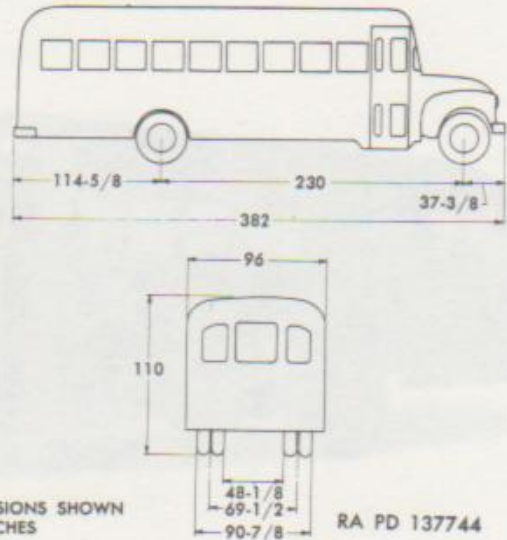
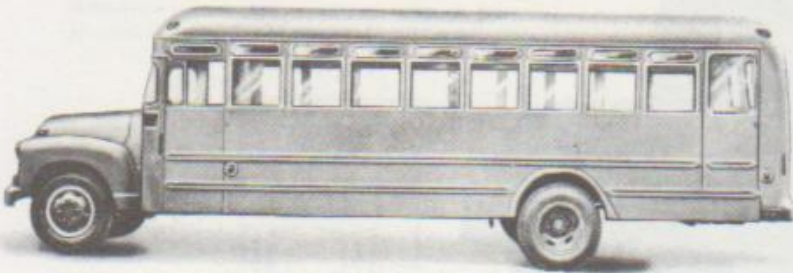
Manufacturer; Ford	Model 8 MTH
Type	4-cycle, L-head; No. of cylinders (in line) 6
Displacement	(cu in.) 254
Bore	(in.) 3.5
Stroke	(in.) 4.4
Compression ratio	6.8:1
Governed speed	(rpm) 3,200
Brake horsepower (max w/std accessories)	110 at (rpm) 3,150
Torque, maximum gross	212 lb-ft at (rpm) 1,300

ADDITIONAL DATA

Rear axle, type	2-speed, spiral-bevel, full-floating
Transmission, type	synchromesh

BUS, BODY ON CHASSIS, 37-PASSENGER, 4 x 2

(General Motors Corp., Model HCS-57)



NOTE: ALL DIMENSIONS SHOWN ARE IN INCHES

RA PD 137744

Classification: Nonclassified.

Purpose: To transport personnel.

GENERAL DATA

Crew	1; Passengers (including crew) 38
Weight (lb)	Net 11,985; Payload 6,000; Gross 17,985
Rear-axle gear ratio	High 6.67:1; Low 8.85:1
Axle load (lb):	
Empty.....	front 4,430; rear 7,565
Loaded.....	front 4,806; rear 13,179
Tires:	
Ply 10.....	Size 9.00 x 20; Pressure (psi) 65
Tread, center-to-center, front.....	(in.) 61 3/4
Shipping dimensions, uncrated	(cu ft) 2,340; (sq ft) 255
Ground clearance	(in.) 10 5/8
Electrical system	(volts) 6
No. of batteries.....	1
Type of ground.....	negative
Fuel octane rating	72
Capacities:	
Fuel.....	(gal) 30
Cooling system.....	(qt) 18
Crankcase, refill.....	(qt) 10 1/2
Transmission.....	(qt) 6
Rear axle.....	(qt) 13
Brakes:	
Manufacturer; GMC.....	Type; hydrovac
Parking brake, type.....	transmission
Transmission for ward speeds	5
Gear ratio.....	High 1:1; Fourth 1.72:1; Low 7.58:1

PERFORMANCE

Computed grade ability in lowest gear, loaded	(percent) 41
Turning radius	(ft) 38
Fording depth	(in.) 12
Fuel consumption, loaded	(mpg) 5
Cruising range, loaded	(mi) 150
Allowable speed, governed	(mph) 56

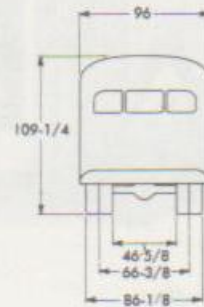
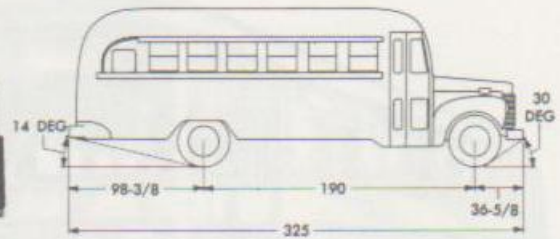
ENGINE

Manufacturer: GMC.....	Model 270
Type	Valve-in-head, 4-cycle; No. of cylinders (in line) 6
Displacement	(cu in.) 269.5
Bore	(in.) 3 7/8
Stroke	(in.) 4
Compression ratio	6.75:1
Governed speed	(rpm) 3,200
Brake horsepower (max w/std accessories)	106 at (rpm) 3,200
Torque (max w/std accessories)	216 lb-ft at (rpm) 1,100

ADDITIONAL DATA

Transmission, type	synchronesh
Rear axle, type	hypoid, full-floating

BUS, 29-PASSENGER, 4 x 2 (International Harvester, Model L-163)



NOTE:
ALL DIMENSIONS
SHOWN ARE IN
INCHES

RA PD 137755

Classification: Nonclassified.

Purpose: To transport personnel.

GENERAL DATA

Crew	1; Passengers (including crew) 30
Weight (lb)	Net 10,800; Payload 5,000; Gross 15,800
Rear-axle gear ratio	6.066:1
Axis load (lb):	
Empty	front 3,495; rear 7,005
Loaded	front 4,145; rear 11,355
Tires:	
Ply 10	Size 8.25 x 20; Pressure (psi) 65
Tread, center-to-center, front	(in.) 63
Shipping dimensions, uncrated	(cu ft) 1,980; (sq ft) 217
Vehicle dimensions:	
Ground clearance	(in.) 10 3/4
Step height	(in.) 15
Electrical system	(volts) 6
No. of batteries	1
Type of ground	negative
Fuel octane rating	72
Capacities:	
Fuel	(gal) 30
Cooling system	(qt) 17 1/4
Crankcase, refill	(qt) 7
Transmission	(qt) 4
Rear axle	(qt) 4
Brakes:	
Manufacturer; Wagner	Type; hydraulic
Parking brake, type	transmission
Transmission forward speeds	4
Gear ratios: High 1:1	Low 6.4:1

PERFORMANCE

Computed grade ability in lowest gear, loaded	(percent) 27
Turning radius	(ft) 32 1/4
Fording depth	(in.) 24
Fuel consumption, loaded	(mpg) 5
Cruising range, loaded	(mi) 150
Allowable speed, governed	(mph) 55

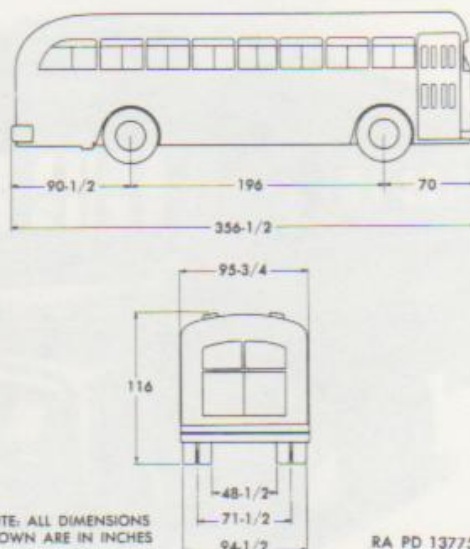
ENGINE

Manufacturer: International Harvester	Model SD-240
Type	Valve-in-head, 4-cycle; No. of cylinders (in line) 6
Displacement	(cu in.) 240.3
Bore	(in.) 3 1/4
Stroke	(in.) 4 1/4
Compression ratio	6.5:1
Governed speed	(rpm) 3,400
Brake horsepower (max w/std accessories)	63 at (rpm) 3,400
Torque (max)	186 lb ft at (rpm) 1,100

ADDITIONAL DATA

Transmission, type	synchronesh
--------------------	-------------

BUS, 37-PASSENGER, 4 x 2 (Southern Coach, Model S-36-M)



NOTE: ALL DIMENSIONS SHOWN ARE IN INCHES

RA PD 137754

Classification: Nonclassified.

Purpose: To transport personnel.

GENERAL DATA

Crew	1; Passengers (including crew) 38
Weight (lb)	Net 15,825; Payload 6,610; Gross 22,435
Rear-axle gear ratio	5:28:1
Axle load (lb):	
Empty.....	front 6,905; rear 8,920
Loaded.....	front 9,400; rear 13,035
Tires:	
Ply 12.....	Size 10:10 x 20; Pressure (psi) 70
Tread, center-to-center, front.....	(in.) 80 1/4
Shipping dimensions, uncrated	(cu ft) 2,300; (sq ft) 238
Vehicle dimensions:	
Ground clearance.....	(in.) 13
Step height, empty.....	(in.) 17 5/8
Electrical system	(volts) 12
No. of batteries.....	1
Type of ground.....	positive
Fuel octane rating	75
Capacities:	
Fuel.....	(gal) 75
Cooling system.....	(qt) 64
Crankcase, refill.....	(qt) 13
Transmission.....	(qt) 11 1/2
Rear axle.....	(qt) 11 1/2
Brakes:	
Manufacturer; Timken.....	Type; air
Parking brake, type.....	transmission
Transmission for ward speeds	4
Gear ratio.....	High 1:1; Low 4.67:1

PERFORMANCE

Computed grade ability in lowest gear, loaded	(percent) 24
Turning radius	(ft) 34
Fording depth	(in.) 12
Fuel consumption, loaded	(mpg) 5
Cruising range, loaded	(mi) 375
Allowable speed, governed	(mph) 60

ENGINE

Manufacturer: Waukesha.....	Model 140-GKB-33
Type	Valve-in-head, 4-cycle; No. of cylinders (in line) 6
Displacement	(cu in.) 525
Bore	(in.) 4 1/4
Stroke	(in.) 5 1/2
Compression ratio	6.4:1
Governed speed	(rpm) 2,700
Brake horsepower (max w/std accessories)	173 at (rpm) 2,700
Torque (max w/std accessories)	425 lb-ft at (rpm) 800

ADDITIONAL DATA

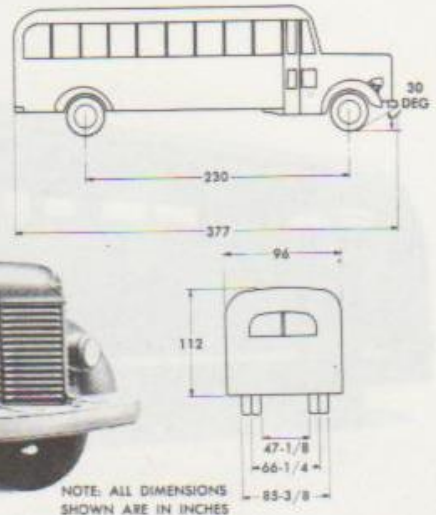
Transmission, type	synchromesh
Rear axle, type	spiral-bevel, full-floating

BUS, 37-PASSENGER, 2½-TON, 4 x 2

(International Harvester, Models K7 and K57 w/two-speed axle)



RA PD 137757



NOTE: ALL DIMENSIONS SHOWN ARE IN INCHES

Technical Manuals: 9-822; 9-1822; 9-1825A; 9-1826C; 9-1827B; 9-1827C; 9-1828A; Supply Catalog: SNI, G-541.

Classification: Nonclassified.

Purpose: To transport personnel.

GENERAL DATA

Crew	1; Passengers (including crew) 38
Weight (lb)	Net 12,387; Payload 6,650; Gross 19,037
Rear-axle gear ratio:	
K7	7.16:1
K57	High 6.143:1; Low 8.52:1
Axle load (lb):	
Empty	front 4,581; rear 7,806
Loaded	front 5,587; rear 13,450
Tires:	
Ply 10; Size 8.25 x 20; Pressure	(psi) 60
Tread, center-to-center, front	(in.) 65½
Shipping dimensions, uncrated	(cu ft) 2,348; (sq ft) 252
Ground clearance	(in.) 9½
Electrical system	(volts) 6
No. of batteries	1
Type of ground	negative
Fuel octane rating	70
Capacities:	
Fuel	(gal) 31
Cooling system	(qt) 20½
Crankcase, refill	(qt) 7
Transmission	(qt) 4¾
Rear axle	(qt) 3½
Brakes:	
Manufacturer; Wagner	Type; hydraulic
Parking brake, type	transmission
Transmission for ward speeds	5
Gear ratio	High 8.823:1; Fourth 1:1; Low 6.525:1

PERFORMANCE

Computed grade ability in lowest gear, loaded (percent)	K7, 29; K57, 34
Turning radius	(ft) 37¼
Fording depth	(in.) 30
Fuel consumption, loaded	(mpg) 8
Cruising range, loaded	(mi) 248
Allowable speed, governed	(mph) 45

ENGINE

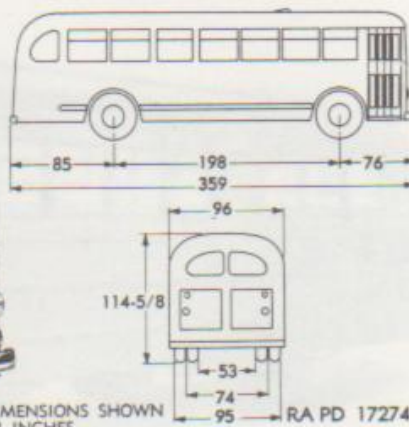
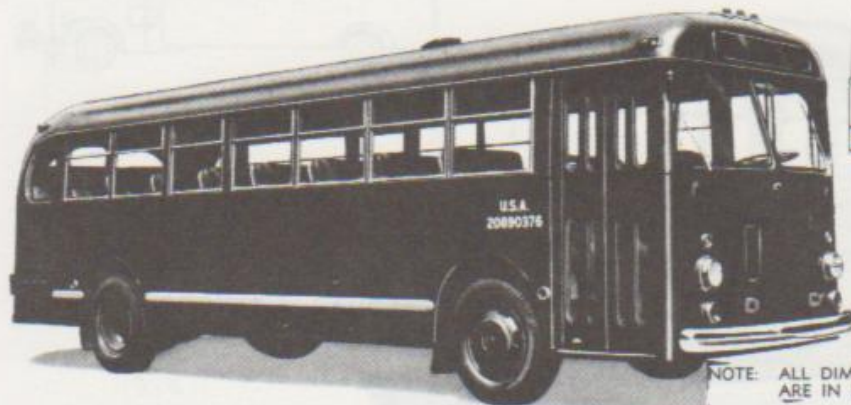
Manufacturer: International Harvester	Model, BLD-269
Type	Valve-in-head, 4-cycle; No. of cylinders (in line) 6
Displacement	(cu in.) 269.1
Bore	(in.) 3½
Stroke	(in.) 4½
Compression ratio	6.3:1
Governed speed	(rpm) 2,500
Brake horsepower (max w/std accessories)	87.5 at (rpm) 2,500
Torque (max)	216.5 lb-ft at (rpm) 1,000

ADDITIONAL DATA

Transmission, type	sliding-gear
Rear axle, type:	
K7	spiral-bevel, full-floating
K57	two-speed spiral-bevel, full-floating

BUS, INTEGRAL, 37-PASSENGER, 4 x 2

(ACF-Brill, Model C-37)



NOTE: ALL DIMENSIONS SHOWN ARE IN INCHES

Classification: Nonclassified.

Purpose: To transport personnel.

GENERAL DATA

Crew	1; Passengers (including crew)	38
Weight (lb)	Net	14,000
	Payload	8,700
	Gross	22,700
Rear-axle gear ratio		5.286:1
Axle load (lb):		
	Empty	front 4,730; rear 9,270
	Loaded	front 8,100; rear 14,600
Tires:		
	Ply 10	Size 9.00 x 20; Pressure (psi) 65
	Tread, center-to-center, front	(in.) 81 1/4
Shipping dimensions, uncrated		(cu ft) 2,290; (sq ft) 239
Vehicle dimensions:		
	Ground clearance	(in.) 10
	Step height, empty	(in.) 16
Electrical system		(volts) 12
	No. of batteries	1
	Type of ground	positive
Fuel octane rating		72
Capacities:		
	Fuel	(gal) 75
	Cooling system (qt)	w/heater 36
	Crankcase, refill	(qt) 10
	Transmission	(qt) 4
	Rear axle	(qt) 6 1/2
Brakes:		
	Manufacturer; Bendix-Westinghouse	Type; air
	Parking brake, type	transmission
Transmission for ward speeds		3
	Gear ratio	High 1.04:1; Low 4.06:1

PERFORMANCE

Computed grade ability in lowest gear, loaded	(percent) 17
Turning radius (ft)	Right 37; Left 36
Fording depth	(in.) 20
Fuel consumption, loaded	(mpg) 4
Cruising range, loaded	(mi) 300
Allowable speed, governed	(mph) 60

ENGINE

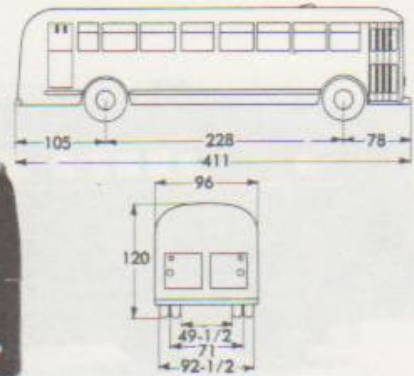
Manufacturer; International	Model RD-450
Type	4-cycle, valve-in-head; No. of cylinders (in line) 6
Displacement	(cu in.) 450
Bore	(in.) 4 1/2
Stroke	(in.) 5
Compression ratio	6.3:1
Governed speed	(rpm) 2,600
Brake horsepower (max w/std accessories)	146 at (rpm) 2,600
Torque (max w/std accessories)	354 lb-ft at (rpm) 1,000

ADDITIONAL DATA

Live axle, type	full-floating, spiral-bevel
Transmission, type	synchromesh

BUS, INTEGRAL, 37-PASSENGER, 4 x 2

(ACF-Brill, Model 37RC)



NOTE: ALL DIMENSIONS SHOWN ARE IN INCHES

RA PD 172703

Classification: Nonclassified.

Purpose: To transport personnel.

GENERAL DATA

Crew	1; Passengers (including crew) 38
Weight (lb)	Net 16,300
Payload.....	8,700
Gross.....	25,000
Rear-axle gear ratio	5.286:1
Axle load (lb):	
Empty.....	front 5,000; rear 11,300
Loaded.....	front 8,500; rear 16,500
Tires:	
Ply 12.....	Size 10.00 x 20; Pressure (psi) 70
Tread, center-to-center, front.....	(in.) 79 1/4
Shipping dimensions, uncrated	(cu ft) 2,740; (sq ft) 274
Vehicle dimensions:	
Ground clearance.....	(in.) 10
Step height, empty.....	(in.) 16
Electrical system	(volts) 12
No. of batteries.....	1
Type of ground.....	positive
Fuel octane rating	72
Capacities:	
Fuel.....	(gal) 75
Cooling system (qt).....	w/heater 36
Crankcase, refill.....	(qt) 10
Transmission.....	(qt) 6
Rear axle.....	(qt) 11 1/4
Brakes:	
Manufacturer; Bendix-Westinghouse.....	Type; air
Parking brake, type.....	transmission
Transmission forward speeds	4
Gear ratio.....	High 0.96:1; low 4.44:1

PERFORMANCE

Computed grade ability in lowest gear, loaded	(percent) 20
Turning radius	(ft) 41
Fording depth	(in.) 20
Fuel consumption, loaded	(mpg) 4
Cruising range, loaded	(mi) 300
Allowable speed, governed	(mph) 60

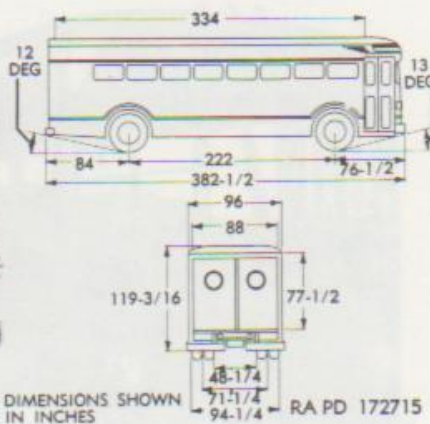
ENGINE

Manufacturer: Hercules.....	Model TDXC
Type	4-cycle, L-head; No. of cylinders (in line) 6
Displacement	(cu in.) 501
Bore	(in.) 4 1/4
Stroke	(in.) 5 1/4
Compression ratio	6.5:1
Governed speed	(rpm) 2,630
Brake horsepower, gross	173 at (rpm) 2,800
Torque, maximum, gross	388 at (rpm) 1,425

ADDITIONAL DATA

Rear axle, type	spiral-bevel, full-floating
Transmission, type	synchromesh

BUS, INTEGRAL, 37-PASSENGER, 4 x 2 (Twin Coach, Utility Convertible, Model F32F)



Classification: Nonclassified.

Purpose: To transport personnel; convertible to cargo carrier or ambulance.

GENERAL DATA

Crew	1; Passengers (including crew) 37
Weight (lb)	Net 14,620
Payload.....	9,700
Gross.....	24,320
Rear-axle gear ratio	4.857:1
Axle load (lb):	
Empty.....	front 6,180; rear 8,470
Loaded.....	front 9,630; rear 14,690
Tires:	
Ply 12.....	Size 10.00 x 20; Pressure (psi) front 70; rear 50
Tread, center-to-center, front.....	(in.) 79 3/4
Shipping dimensions, uncrated	(cu ft) 2,715; (sq ft) 261
Vehicle dimensions:	
Ground clearance.....	(in.) 10
Loading height, empty.....	(in.) 40
Step height, empty.....	(in.) 16
Electrical system	(volts) 12
No. of batteries.....	1
Type of ground.....	positive
Fuel octane rating	72
Capacities:	
Fuel.....	(gal) 51
Cooling system (gal).....	w/o heater 9 3/4; w/heater 11
Crankcase, refill.....	(qt) 12
Transmission.....	(qt) 6
Rear axle.....	(qt) 8
Brakes:	
Manufacturer; Eaton.....	Type; air
Parking brake, type.....	transmission
Transmission for ward speeds	4
Gear ratio.....	High 1:1; Low 4.88:1

PERFORMANCE

Computed grade ability in lowest gear, loaded	(percent) 17
Turning radius	(ft) 75 1/4
Fording depth	(in.) 18
Fuel consumption, loaded	(mpg) 6
Cruising range, loaded	(mi) 480
Allowable speed, governed	(mph) 60

ENGINE

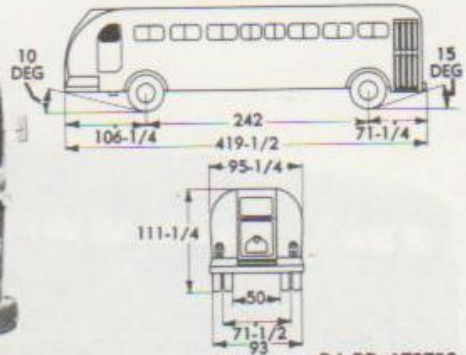
Manufacturer: Fageol.....	Model FTC 210-21
Type	4-cycle, valve-in-head
No. of cylinders	(horizontal, in line) 6
Displacement	(cu in.) 477
Bore	(in.) 4 1/2
Stroke	(in.) 5
Compression ratio	7.1:1
Governed speed	(rpm) 2,800
Brake horsepower (max w/std accessories)	210 at (rpm) 2,800
Torque (max w/std accessories)	480 lb-ft at (rpm) 1,600

ADDITIONAL DATA

Engine radiator coolant filler neck extends 1 inch beyond over-all width.
Seats are removable. Vehicle can be converted to an ambulance.
Rear axle, type..... hypoid, full-floating
Transmission, type..... constant-mesh

BUS, INTEGRAL, 2 1/2-TON, 4 x 2

(GMC Model PGA 3301)



NOTE: ALL DIMENSIONS SHOWN ARE IN INCHES

RA PD 172739

Classification: Nonclassified.

Purpose: To transport personnel.

GENERAL DATA

Crew	1; Passengers (including crew) 38
Weight (lb)	Net 15,160
Payload	8,700
Gross	23,860
Rear-axle gear ratio	5.286:1
Axle load (lb):	
Empty	front 4,590; rear 10,600
Loaded	front 7,730; rear 16,160
Tires:	
Ply 12	Size 10.00 x 20; Pressure (psi) 70
Tread, center-to-center, front	(in.) 80 1/2
Shipping dimensions, uncrated	(cu ft) 2,550; (sq ft) 277
Vehicle dimensions:	
Ground clearance	(in.) 10
Step height, empty	(in.) 17 1/4
Electrical system	(volts) 12
No. of batteries	1
Type of ground	positive
Fuel octane rating	72
Capacities:	
Fuel	(gal) 75
Cooling system (qt)	w/o heater 16 1/2; w/heater 30
Crankcase, refill	(qt) 9
Transmission	(qt) 6
Rear axle	(qt) 11 1/2
Brakes:	
Manufacturer; Bendix-Westinghouse	Type; air
Parking brake, type	transmission
Transmission for ward speeds	4
Gear ratio	High 1:1; Low 4.68:1

PERFORMANCE

Computed grade ability in lowest gear, loaded	(percent) 22
Turning radius	(ft) 43 1/2
Fording depth	(in.) 20
Fuel consumption, loaded	(mpg) 4
Cruising range, loaded	(mi) 300
Allowable speed, governed	(mph) 82

ENGINE

Manufacturer: GMC	Model 508
Type	4-cycle, valve-in-head; No. of cylinders (in line) 6
Displacement	(cu in.) 802.7
Bore	(in.) 4 1/8
Stroke	(in.) 5 1/4
Compression ratio	6.5:1
Governed speed	(rpm) 2,800
Brake horsepower (max w/std accessories)	175 at (rpm) 2,800
Torque (max w/std accessories)	412 lb-ft at (rpm) 1,200

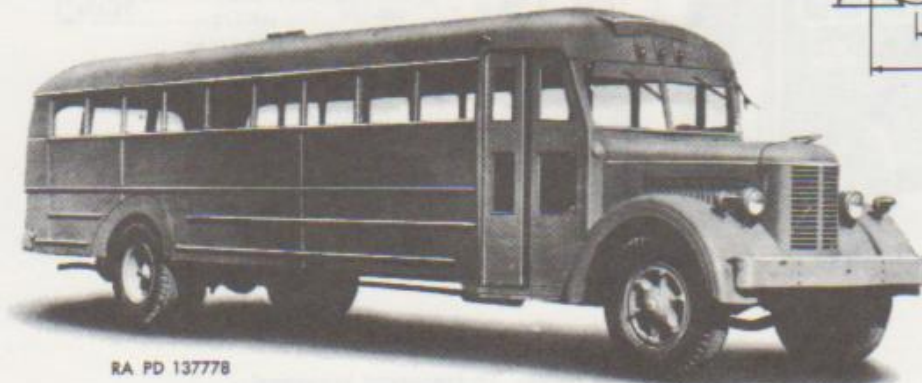
ADDITIONAL DATA

Rear axle, type	hypoid, full-floating
Transmission, type	constant-mesh

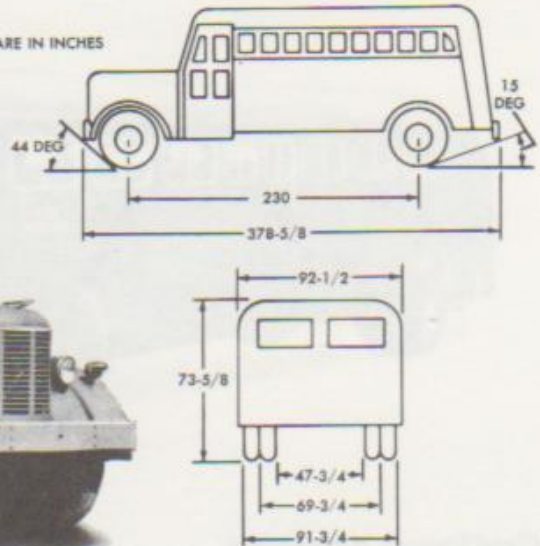
BUS, 37-PASSENGER, 5- TO 6-TON, 4 x 2

(Mack, Model EH)

NOTE: ALL DIMENSIONS SHOWN ARE IN INCHES



RA PD 137778



Technical Manual: 10-1681

Classification: Nonclassified.

Purpose: To transport personnel.

GENERAL DATA

PERFORMANCE

Crew	1; Passengers (including crew) 38
Weight (lb)	Net 14,900; Payload 10,500; Gross 25,400
Rear-axle gear ratio	8.59:1
Axle load (lb):	
Empty	front 8,050; rear 6,850
Loaded	front 8,290; rear 17,110
Tires:	
Ply 12	Size 10.00 x 20; Pressure (psi) 70
Tread, center-to-center, front	(in.) 69 1/2
Shipping dimensions, uncrated	(cu ft) 1,500; (sq ft) 243
Ground clearance	(in.) 10
Electrical system	(volts) 6
No. of batteries	1
Type of ground	negative
Fuel octane rating	70
Capacities:	
Fuel	(gal) 50
Cooling system	(qt) 31
Crankcase, refill	(qt) 11
Transmission	(qt) 10 1/2
Rear axle	(qt) 14
Brakes:	
Manufacturer; Bendix-Westinghouse	Type; air
Parking brake, type	transmission
Transmission for ward speeds	5
Gear ratio	High 1 : 1; Fourth 1.45 : 1; Low 8.05 : 1

Computed grade ability in lowest gear, loaded	(percent) 28
Turning radius	(ft) 42
Fording depth	(in.) 45
Fuel consumption, loaded	(mpg) 5.5
Cruising range, loaded	(mi) 275
Allowable speed, governed	(mph) 35

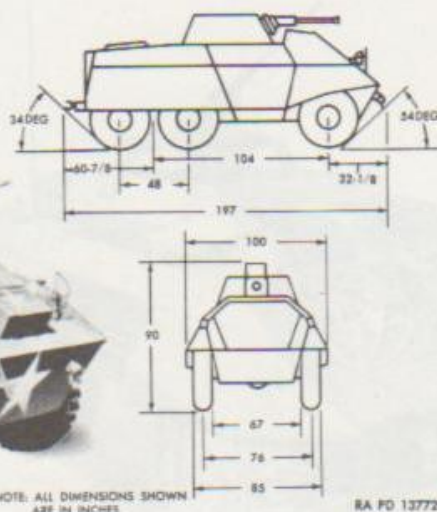
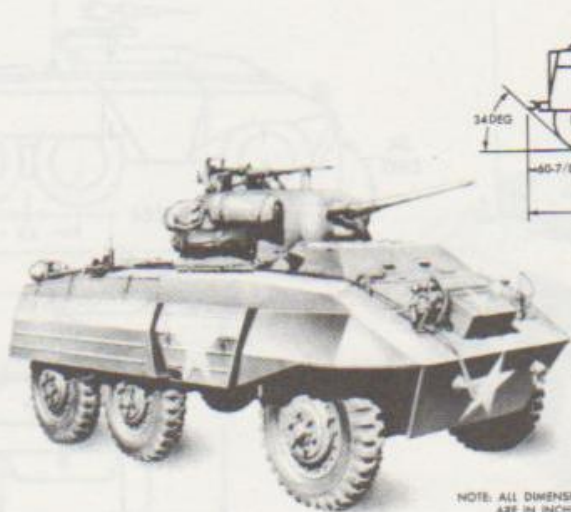
ENGINE

Manufacturer; Mack	Model EN 354
Type	L-head, 4-cycle; No. of cylinders (in line) 6
Displacement	(cu in.) 354
Bore	(in.) 3 3/4
Stroke	(in.) 5
Compression ratio	5.5:1
Governed speed	(rpm) 2,620
Brake horsepower (max w/std accessories)	110 at (rpm) 2,620
Torque (max)	255 lb-ft at (rpm) 1,200

ADDITIONAL DATA

Transmission, type	synchromesh
Rear axle, type	double-reduction, full-floating

CAR, ARMORED, LIGHT, M8



Technical Manuals: 9-743, 9-1743, 9-1825B, 9-1826C, 9-1827C, 9-1928A, 9-1832A; Supply Catalog: SNL G-136.

Classification: Limited Standard.

Armament: 1 gun, 37-mm, M6; 1 gun, machine cal. .30, M1919A4 (flexible), mounted coaxially; 1 gun, machine cal. .50; M2, heavy barrel (flexible), pedestal mounted on top of turret.

Ammunition: 80 rounds, 37-mm for vehicles having 64-round ammunition racks, 50 rounds for vehicles having 34-round racks; 400 rounds, cal. .30 for carbine M1; 1,575 rounds, cal. .30 (machine gun); 420 rounds cal. .50; 12 hand grenades; 4 pots, smoke, M1 or M2; 6 mines, antitank, w/fuze; 15 signal ground (assorted).

Fire Control and Vision Devices: Telescope, M70D (sight).

Communications: (SCR-506 or SCR-193T or AN/GRC-9) or (SCR-506 or SCR-193T or SCR-608B or RC-99); or (SCR-506 or SCR-193T or AN/GRC-9 or SCR-694C) and SCR-619 or SCR-610) and (RC-99; or SCR-619 or SCR-610) and (RC-99).

GENERAL DATA

Crew	4
Weight (lb)	Net 14,500; Payload 2,700; Gross 17,200
Axle gear ratio	6.06:1
Axle load (lb):	
Empty	front 5,010; rear (each) 4,745
Loaded	front 6,360; rear (each) 5,420
Tires:	
Ply 12; Size 9.00 x 20; Pressure (psi)	front 60; rear 50
Tread, center-to-center, front	(in.) 76
Vehicle dimensions:	
Ground clearance	(in.) 11 1/4
Pintle height	(in.) 26
Shipping dimensions, uncrated	(cu ft) 1,630; (sq ft) 137
Electrical system	(volts) 12
No. of batteries	1
Type of ground	negative
Fuel octane rating	72

Purpose: To provide high-speed mobility, defense firepower and crew protection for reconnaissance.

GENERAL DATA—Continued

Capacities:	
Fuel	(gal) 54
Cooling system	(qt) 23 1/2
Crankcase, refill	(qt) 7
Transfer	(qt) 234
Transmission	(qt) 4 1/2
Axles (qt)	front 234; rear (each) 234
Brakes:	
Manufacturer: Bendix	Type: hydrovac
Parking brake, type	transfer
Transmission forward speeds	4
Gear ratio	High 1:1; Low 6.499:1
Transfer speeds	2
Gear ratio	High 1:1; Low 1.956:1

PERFORMANCE

Computed grade ability in lowest gear, loaded	(percent) 60
Turning radius	(ft) 28
Fording depth	(ft.) 32
Fuel consumption, loaded	(mpg) 5
Cruising range, loaded	(mi) 250
Allowable speed, recommended	(mph) 56

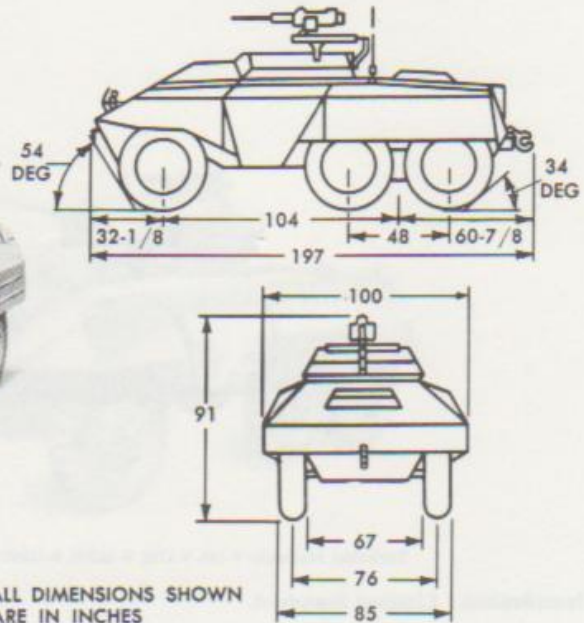
ENGINE

Manufacturer: Hercules	Model JXD
Type	L-head, 4-cycle; No. of cylinders (in line) 6
Displacement	(cu in.) 320
Bore	(in.) 4
Stroke	(in.) 4 1/4
Governed speed	not governed
Compression ratio	6.5:1
Brake horsepower (max w/std accessories)	.86 at (rpm) 2,800
Torque (max)	200 lb-ft at (rpm) 1,150

ADDITIONAL DATA

Transmission, type	sliding-gear
Rear axle, type	spiral-bevel, full-floating

CAR, ARMORED, UTILITY, M20



NOTE: ALL DIMENSIONS SHOWN ARE IN INCHES

RA PD 137749

Technical Manuals: 9-743, 9-1743, 9-1825B, 9-1826C, 9-1827C, 9-1828A, 9-1832A; Supply Catalog: SNL G-176.

Classification: Standard.

Armament: One gun, machine, cal. .50, M2, heavy barrel (flexible) ring mounted.

GENERAL DATA

Crew	6
Weight (lb)	Net 12,250; Payload 3,400; Gross 15,650
Axle gear ratio	8.66:1
Axle load (lb):	
Empty	front 3,900; rear (each) 4,175
Loaded	front 5,600; rear (each) 5,025
Tires (combat):	
Ply 12; Size 9.00 x 20; Pressure (psi)	front 60; rear 50
Tread, center-to-center, front	(in.) 76
Shipping dimensions, uncrated	(cu ft) 1,038; (sq ft) 137
Vehicle dimensions:	
Ground clearance	(in.) 11 1/4
Pintle height	(in.) 26
Electrical system	(volts) 12
No. of batteries	1
Type of ground	negative
Fuel octane rating	72
Capacities:	
Fuel	(gal) 54
Cooling system	(qt) 23 1/4
Crankcase, refill	(qt) 7
Transfer	(qt) 2 1/4
Transmission	(qt) 4 1/4
Axles (qt)	front 2 1/4; rear (each) 2 1/4
Brakes:	
Manufacturer; Bendix	Type; hydrovac
Parking brake, type	transfer
Transmission for forward speeds	4
Gear ratio	High 1:1; Low 6.499:1
Transfer speeds	2
Gear ratio	High 1:1; Low 1.966:1

Ammunition: 500 rounds cal. .30 for carbine M1; 1,050 rounds cal. .50; 12 hand grenades; 4 pots, smoke; 3 mines, antitank w/fuze; 10 rockets for launcher, rocket, 2.36-in., M9A1; 36 signal, ground (assorted).

Communications: (SCR-506 or AN/GRC-9 or SCR-694C) and (SCR-506 or SCR-608 or SCR-510 or SCR-619 or SCR-610); or (AN/VRC-3); or (AN/GRC-3, -4, -5, -6, -7, or -8) and (SCR-506).

Purpose: To provide a highly mobile armored personnel and cargo carrier or field commander's car.

PERFORMANCE

Computed grade ability in lowest gear, loaded	(percent) 60
Turning radius	(ft) 28
Fording depth	(in.) 32
Fuel consumption, loaded	(mpg) 5
Cruising range, loaded	(mi) 250
Allowable speed, recommended	(mph) 56

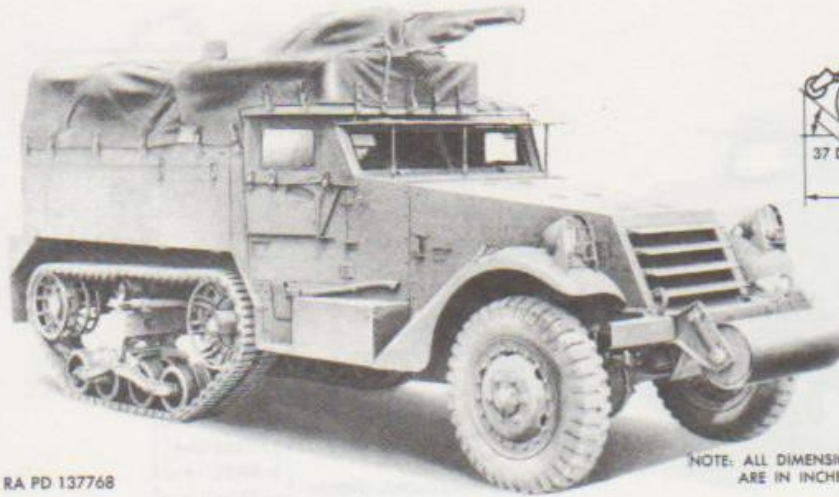
ENGINE

Manufacturer; Hercules	Model JXD
Type	L-head, 4-cycle; No. of cylinders (in line) 6
Displacement	(cu in.) 320
Bore	(in.) 4
Stroke	(in.) 4 1/4
Compression ratio	6.5:1
Governed speed	not governed
Brake horsepower (max w/std accessories)	86 at (rpm) 2,800
Torque (max)	200 lb-ft at (rpm) 1,150

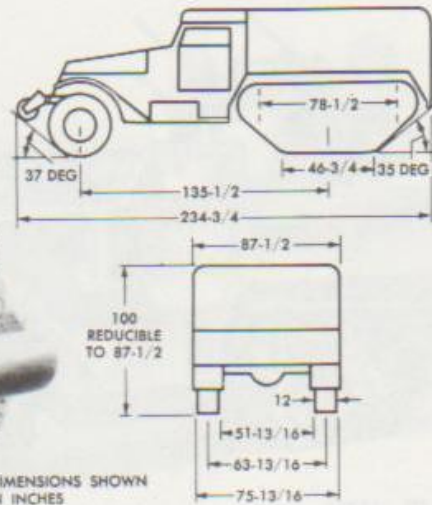
ADDITIONAL DATA

Transmission, type	sliding-gear
Rear axle, type	spiral-bevel, full-floating

CAR, HALF-TRACK, M2A1



RA PD 137768



NOTE: ALL DIMENSIONS SHOWN ARE IN INCHES

Technical Manuals: 9-710, 9-1710, 9-1710C, 9-1711, 9-1825A, 9-1826B, 9-1828A; Supply Catalog: SNI, G-102.

Classification: Limited Standard.

Armament: 1 gun, machine, cal. .50, M2, heavy barrel (flexible) ring mounted on front of driver's compartment; 1 gun, machine, cal. .30, M1919A4 (flexible) pintle mounted on right side or rear of body.

Ammunition: 700 rounds, cal. .50; 7,750 rounds, cal. .30; 540 rounds, cal. .45 for submachine gun; 10 hand grenades; 14 mines, antitank w/fuze.

Communications: (SCR-508 or SCR-528).

Purpose: To transport cargo and personnel in combat zone.

GENERAL DATA

Crew	10
Weight (lb)	Net 14,600; Payload 5,000; Gross 19,600
Front-axle gear ratio	6.8:1
Rear-axle (jackshaft) gear ratio	4.44:1
Axle load (lb):	
Empty	front 5,250; rear (each track) 4,675
Loaded	front 7,100; rear (each track) 6,250
Tires (combat):	
Ply 12	Size 8.25 x 20; Pressure (psi) 55
Tread, center-to-center, front	(in.) 63 ¹³ / ₁₆
Track ground pressure (loaded)	(psi) 11
Shipping dimensions, uncrated	(cu ft) 1,191; (sq ft) 143
Vehicle dimensions:	
Ground clearance	(in.) 11 ¹ / ₂
Pintle height (loaded)	(in.) 28
Electrical system	(volts) 12
No. of batteries	1
Type of ground	negative
Fuel octane rating	72
Capacities:	
Fuel	(gal) 60
Cooling system	(qt) 26
Crankcase, refill	(qt) 10 ¹ / ₂
Transfer and transmission (qt) 7 ¹ / ₂	P.T.O. 8
Axles (qt)	front 3 ¹ / ₂ ; rear 6
Winch:	
Load capacity	(lb) 10,000
Oil capacity	(qt) 2
Brakes: Manufacturer; Bendix	Type; hydrovac
Parking brake, type	transfer
Transmission forward speeds	4
Gear ratio	High 1:1; Low 4.92:1
Transfer speeds	2
Gear ratio	High 1:1; Low 2.48:1

PERFORMANCE

Computed grade ability in lowest gear, loaded	(percent) 60
Turning radius	(ft) 29 ¹ / ₂
Fording depth	(in.) 32
Fuel consumption, loaded	(mpg) 3 ¹ / ₂
Cruising range, loaded	(mi) 210
Allowable speed, recommended	(mph) 45
Maximum recommended towed load, gross	off highway (lb) 4,500

ENGINE

Manufacturer: White	Model 160AX
Type	L-head, 4-cycle; No. of cylinders (in line) 6
Displacement	(cu in.) 386
Bore	(in.) 4
Stroke	(in.) 5 ¹ / ₂
Compression ratio	6.44:1
Governed speed	not governed
Brake horsepower (max w/std accessories)	127 at (rpm) 3,000
Torque (max)	325 lb-ft at (rpm) 1,200

ADDITIONAL DATA

Data given for vehicle w/o winch and w/front roller. For vehicle w/winch and w/o front roller, changes in data are as follows: Weight (lb): Net 15,100; Payload 4,500. Axle load (lb): Empty, front 5,587, rear (each track) 4,757; Loaded, front 7,252, rear (each track) 6,174. Shipping dimensions uncrated: (cu ft) 1,242; (sq ft) 149. Over-all length (in) 241⁵/₈.

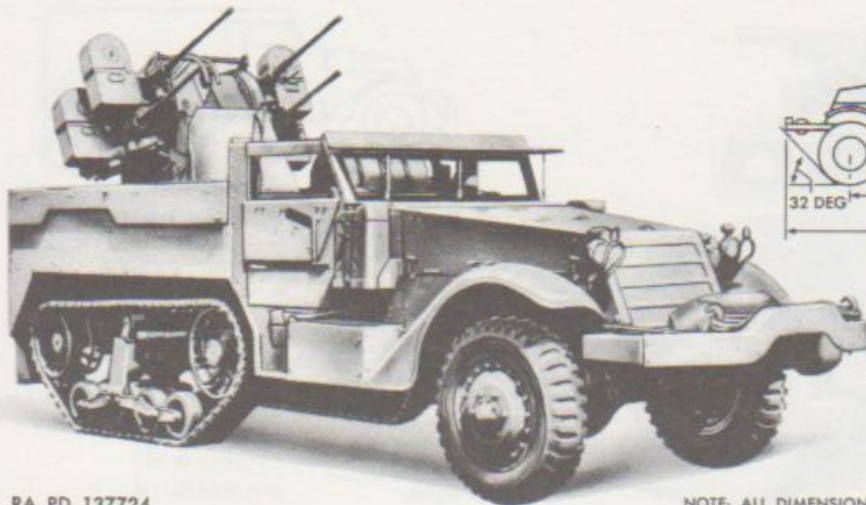
Angle of approach (deg) 33.

Equipped w/controller for trailer electric brakes.

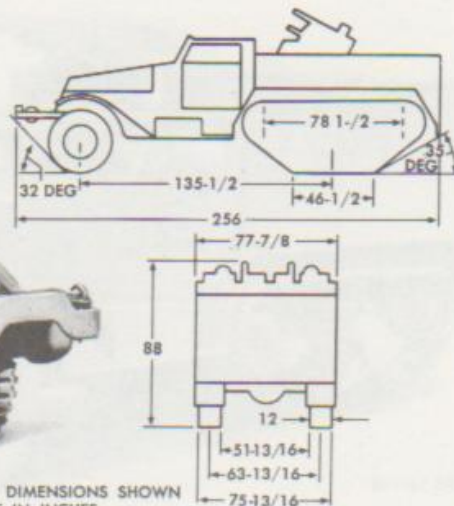
Transmission, type constant-mesh

Live axles, type spiral-bevel, full-floating

CARRIAGE, MOTOR, MULTIPLE GUN, M16



RA PD 137724



NOTE: ALL DIMENSIONS SHOWN ARE IN INCHES

Technical Manuals: 9-710, 9-1710, 9-1710C, 9-1711, 9-1825A, 9-1826B, 9-1828A, 9-1829A; Supply Catalog: S/N G-102.

Classification: Substitute Standard.
Armament: 4 guns, machine, cal. .50, Browning, M2, heavy barrel, turret type, turret mounted.
Ammunition: 5,000 rounds, cal. .50; 420 rounds, cal. .45 for submachine gun; 26 hand grenades; 10 rifle grenades.

Fire Control and Vision Devices: Sight, reflex, M18, or sight, illuminating, MK 9, Mod 1.
Communications: (SCR-52B) and (SCR-593); or (AN/VAC-13, -14, or -15) and (SCR-593 or AN/GRR-5).
Purpose: To provide mobility for machine guns.

GENERAL DATA

Crew	5
Weight (lb)	Net 18,640; Payload 3,000; Gross 21,640
Front-axle gear ratio	6.8:1
Rear-axle (jackshaft) gear ratio	4.44:1
Axle load (lb):	
Empty	front 7,224; rear (each track) 5,708
Loaded	front 7,824; rear (each track) 6,908
Tires (combat):	
Ply 12	Size 8.25 x 20; Pressure (psi) 55
Tread, center-to-center, front	(in.) 64½
Track ground pressure (loaded)	(psi) 11.2
Shipping dimensions, uncrated	(cu ft) 1,072; (sq ft) 146
Vehicle dimensions:	
Ground clearance	(in.) 17½
Pintle height (loaded)	(in.) 28
Electrical system	(volts) 12
No. of batteries	1
Type of ground	negative
Fuel octane rating	72
Capacities:	
Fuel	(gal) 60
Cooling system	(qt) 26
Crankcase, refill	(qt) 10½
Transmission and transfer w/PTO	(qt) 9
Axles (qt)	front 3¼; rear 6
Winch:	
Load capacity	(lb) 10,900
Oil capacity	(qt) 2
Brakes:	
Manufacturer; Bendix	Type; hydrovac
Parking brake, type	transfer
Transmission for forward speeds	4
Gear ratio	High 1:1; Low 4.92:1
Transfer speeds	2
Gear ratio	High 1:1; Low 2.48:1

PERFORMANCE

Maximum grade ability	(percent) 60
Turning radius	(ft) 30
Fording depth	(in.) 32
Fuel consumption, loaded	(mpg) 31½
Cruising range, loaded	(mi) 210
Allowable speed, recommended	(mph) 45
Maximum recommended towed load, gross, off highway	(lb) 4,500

ENGINE

Manufacturer: White	Model 160AX
Type	L-head, 4-cycle; No. of cylinders (in line) 6
Displacement	(cu in.) 386
Bore	(in.) 4
Stroke	(in.) 5½
Compression ratio	6.44:1
Governed speed	not governed
Brake horsepower (max w/std accessories)	127 at (rpm) 3,000
Torque (max w/std accessories)	325 lb-ft at (rpm) 1,300

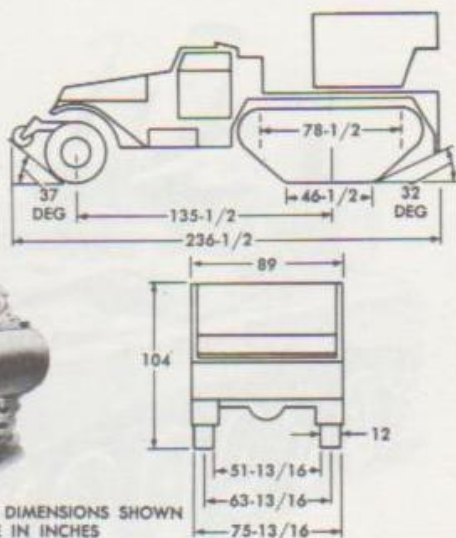
ADDITIONAL DATA

Equipped w/controller for trailer electric brakes.	
Live axles, type	spiral-bebel, full-floating
Transmission, type	constant mesh

CARRIAGE, MOTOR, COMBINATION GUN, M15A1



RA PD 137769



NOTE: ALL DIMENSIONS SHOWN ARE IN INCHES

Technical Manuals: 9-710, 9-1710, 9-1710C, 9-1711, 9-1825A, 9-1826B, 9-1828A, 9-1829A; Supply Catalog: SNL G-102.

Classification: Limited Standard.

Armament: 1 gun, automatic, 37-mm, M1A2, turret mounted; 2 guns, machine, cal. .50, Browning, M2, heavy barrel, mounted coaxially.

Ammunition: 200 rounds, 37-mm; 1,200 rounds, cal. .50.

Fire Control and Vision Devices: Sight, computing, M14.

Communications: (SCR-528).

Purpose: To provide a highly mobile anti-aircraft weapon.

GENERAL DATA

Crew	7
Weight (lb)	Net 18,385; Payload 2,415; Gross 20,800
Front-axle gear ratio	6.8:1
Rear-axle (jackshaft) gear ratio	4.44:1
Axle load (lb):	
Empty	front 5,760; rear (each track) 6,313
Loaded	front 7,624; rear (each track) 6,588
Tires (combat):	
Ply 12; Size 8.25 x 20; Pressure	(psi) 55
Tread, center-to-center front	(in.) 63 3/4
Track ground pressure (loaded)	(psi) 11.6
Shipping dimensions, uncrated	(cu ft) 1,400; (sq ft) 162
Vehicle dimensions:	
Ground clearance	(in.) 17 1/4
Pintle height (loaded)	(in.) 28
Electrical system	(volts) 12
No. of batteries	1
Type of ground	negative
Fuel octane rating	72
Capacities:	
Fuel	(gal) 60
Cooling system	(qt) 26
Crankcase, refill	(qt) 10 1/4
Transfer and transmission	(qt) 7 1/4
Axles (qt)	front 3 1/4; rear 6
Brakes:	
Manufacturer; Bendix	Type; hydrovac
Parking brake, type	transfer
Transmission for ward speeds	4
Gear ratio	High 1:1; Low 4.92:1
Transfer speeds	2
Gear ratio	High 1:1; Low 2.48:1

PERFORMANCE

Maximum grade ability	(percent) 60
Turning radius	(ft) 29 1/4
Fording depth	(in.) 32
Fuel consumption, loaded	(mpg) 3 1/4
Cruising range, loaded	(mi) 210
Allowable speed, recommended	(mph) 40
Maximum recommended towed load, gross, off highway	(lb) 4,500

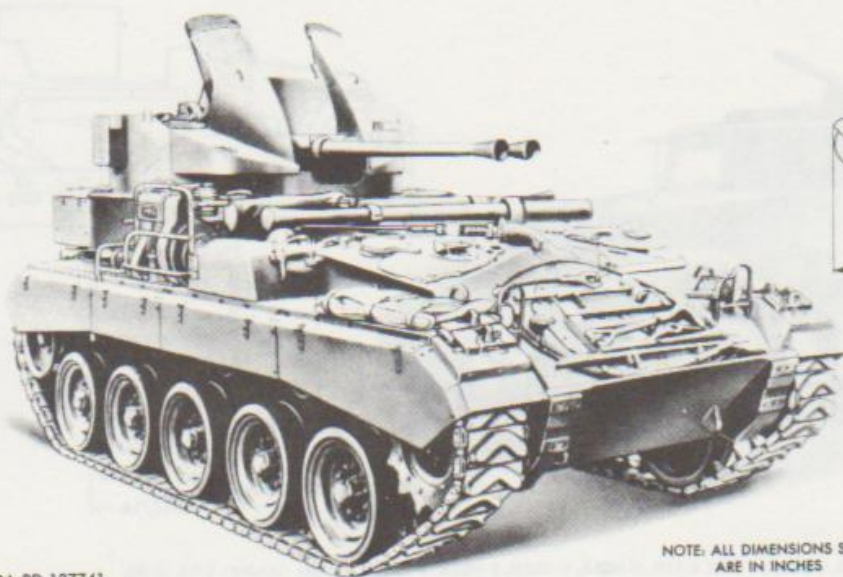
ENGINE

Manufacturer: White	Model 160AX
Type	L-head, 4-cycle; No. of cylinders (in line) 6
Displacement	(cu in.) 386
Bore	(in.) 4
Stroke	(in.) 5 1/4
Compression ratio	6.44:1
Governed speed	not governed
Brake horsepower (max w/std accessories)	127 at (rpm) 3,000
Torque (max)	325 lb-ft at (rpm) 1,200

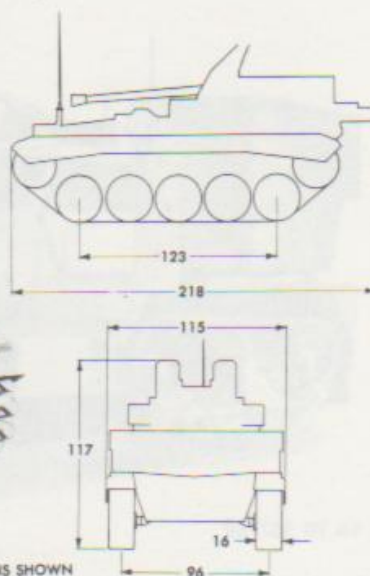
ADDITIONAL DATA

Equipped w/controller for trailer electric brakes.	
Live axles, type	spiral-bevel, full-floating
Transmission, type	constant-mesh

CARRIAGE, MOTOR, TWIN 40-MM GUN, M19A1



RA PD 137741



NOTE: ALL DIMENSIONS SHOWN ARE IN INCHES

Technical Manuals: 9-761, 9-1718C, 9-1727K, 9-1729A, 9-1729B, 9-1729C, 9-1731D, 9-1825A, 9-1826A, 9-1828A; Supply Catalog: SNL G-248.

Classification: Standard.

Armament: Gun, dual, automatic, 40-mm, M2, turret mounted.

Ammunition: 350 rounds, 40-mm; 480 rounds, cal. .45, for submachine gun; 900 rounds, cal. .30 for carbines; 10 rifle grenades w/cartridge for carbine; 12 hand grenades.

Fire Control and Vision Devices: Periscope M13 or M6 (drivers); quadrant, gunner's M1; sight, computing, M13; system, local control, M16A1, or M16.

Communications: (AN/VRC-5) and (SCR-593 or AN/GRR-5); or (AN/VRC-8 or -9) and (AN/UIC-1) and (SCR-593 or AN/GRR-5).

Purpose: To provide a mobile anti-aircraft weapon.

GENERAL DATA

Crew	6
Weight, fighting	(lb) 41,165
Shipping dimensions, uncrated	(cu ft) 1,705; (sq ft) 175
Ground pressure	(psi) 10.1
Ground clearance	(in.) 16½
Pintle height, unloaded	(in.) 18½
Electrical system	(volts) 24
No. of batteries	(6-volt) 4
Type of ground	negative
Fuel octane rating	70
Capacities:	
Fuel	(gal) 110
Cooling system (2 systems)	(each) (qt) 40
Crankcase, refill (each engine)	(qt) 8
Auxiliary-engine crankcase, refill	(qt) 3½
Transmission	(each) (qt) 15
Differential	(qt) 20
Transfer	(qt) 4½
Final drive	(each) (qt) 2
Brakes	mechanical, controlled-differential
Parking brake, type	locking knobs on steering-brake levers
Transmission for ward speeds	4
Gear ratio	High 1:1; 3d 1.55:1; Low 3.92:1
Transfer speeds	forward 2; reverse 1
Gear ratio	High 1.03:1; Low 2.34:1; Reverse 2.44:1
Differential-drive gear ratio	2.62:1
Final-drive gear ratio	2.94:1
Hull construction	welded homogeneous armor plate
Armor, Turret:	Welded homogeneous armor plate.

PERFORMANCE

Maximum grade ability	(percent) 60
Turning radius	(ft) 50
Fording depth	(in.) 42
Maximum width of ditch vehicle can cross	(in.) 88
Maximum vertical obstacle vehicle can climb	(in.) 32
Fuel consumption (average conditions)	(mpg) 34
Cruising range (average conditions)	(mi) 85
Allowable speed, recommended	(mph) 30
Maximum allowable to towed load, gross	(lb) 10,000

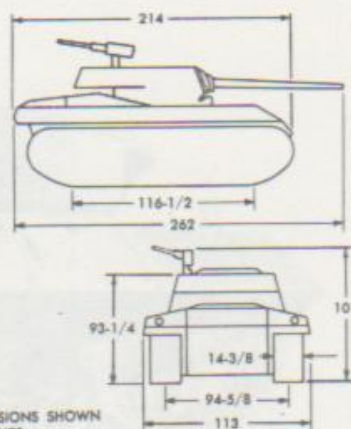
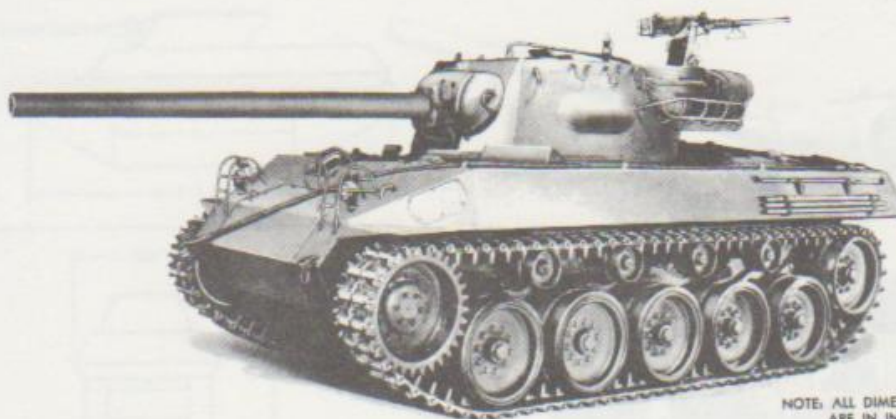
ENGINE

Manufacturer:	Cadillac	No. used 2; Model 44T24
Type	L-head, 4-cycle, No. of cylinders (90-deg V) 8	
Displacement	(cu in.) 349	
Bore	(in.) 3¼	
Stroke	(in.) 4¼	
Compression ratio	7.06:1	
Governed speed	not governed	
Brake horsepower (max w/std accessories)	110 at (rpm) 3,400	
Torque (max w/std accessories)	240 lb-ft at (rpm) 1,200	
Type of ignition	distributor	

ADDITIONAL DATA

Auxiliary-generator engine.....Wisconsin Model TFG
Manual and power traversing and elevating mechanism.
Data given for vehicle equipped w/track, steel, T72. Track steel T72E1 is interchangeable. Track, rubber, T85E1 also applicable w/changed sprocket.

CARRIAGE, MOTOR, 76-MM GUN, M18



NOTE: ALL DIMENSIONS SHOWN ARE IN INCHES

RA PD 137739

Technical Manuals: 9-755, 9-1725, 9-1731D, 9-1731G, 9-1731K, 9-1750D, 9-1755A, 9-1755B, 9-1826B, 9-1828A, 9-1829A; Supply Catalog: SNL G-163.

Classification: Standard.

Armament: 1 gun, 76-mm, M1A1C or M1A2, turret mounted; 1 gun, machine, cal. .50, Browning, M2, heavy barrel (flexible mounted on revolving ring on top of turret).

Ammunition: 45 rounds, 76-mm; 840 rounds, cal. .50; 450 rounds, cal. .30, carbine; 12 hand grenades; 4 smoke pots; 18 signals, aircraft.

Purpose: To provide mobility for 76-mm gun and crew protection.

Fire Control and Vision Devices: Periscope, M4A1 w/telescope, M47A2 (vision); periscope, M13, or M13B1, or M6 (vision); quadrant, elevation, M9; quadrant, gunner's M1; telescope, M76C (sight).

Communications: (SCR-619 or SCR-610) and (RC-99); or (SCR-619 or SCR-610) and (RC-99) and (AN/VRC-3).

GENERAL DATA

Crew.....	5
Weight, fighting.....	(lb) 37, 557
Over-all length w/gun in traveling position.....	(in.) 254
Shipping dimensions, uncrated.....	(cu ft) 1,550; (sq ft) 199
Ground clearance.....	(in.) 14 1/4
Pintle height, loaded.....	(in.) 25 1/4
Ground pressure.....	(psi) 11.9
Electrical system.....	(volts) 24
No. of batteries.....	(12-volt) 2
Type of ground.....	negative
Fuel octane rating.....	80
Capacities:	
Fuel.....	(gal) 170
Transmission and cooler.....	(qt) 48
Differential and transfer, including cooler.....	(qt) 20
Final drives.....	(each) (qt) 5
Engine oil tank.....	(qt) 48
Brakes:	mechanical, controlled-differential
Parking brake, type.....	pedal for locking steering brakes
Transmission forward speeds:	3
Gear ratio.....	High 1:1; Low 2.286:1
Transfer speeds:	1
Gear ratio.....	1:1
Final-drive gear ratio:	2.176:1
Differential-drive gear ratio:	3.133:1
Hull construction:	welded homogeneous armor plate
Turret construction:	casting and plate
Turret race diameter:	(in.) 81

PERFORMANCE

Maximum grade ability.....	(percent) 60
Turning radius.....	(ft) 33
Fording depth.....	(in.) 48
Maximum width of ditch vehicle can cross.....	(in.) 74
Maximum vertical obstacle vehicle can climb.....	(in.) 36
Fuel consumption (average conditions).....	(mpg) 0.6
Cruising range (average conditions).....	(mi) 105
Allowable speed, governed.....	(mph) 45
Maximum allowable towed load, gross.....	(lb) 10,000

ENGINE

Manufacturer:	Continental Model R975C4—from serial No. 1351 up
Type:	4-cycle, radial, air-cooled; No. of cylinders 9
Displacement:	(cu in.) 973
Bore:	(in.) 5
Stroke:	(in.) 5 1/4
Compression ratio:	5.7:1
Governed speed:	(rpm) 2,400
Brake horsepower (max w/std accessories):	400 at (rpm) 2,400
Torque (max w/std accessories):	940 lb-ft at (rpm) 1,700
Type of ignition:	magneto

ADDITIONAL DATA

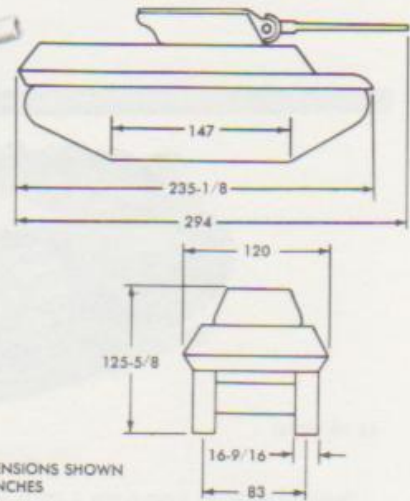
This vehicle from Serial Nos. 1 through 1350 uses Engine Model R975C1; changes in data are as follows:

Brake horsepower (max w/std accessories):	350 at (rpm) 2,400
Torque (max w/std accessories):	840 lb-ft at (rpm) 1,800
Engines R975C1 and R975C4 are interchangeable.	
Data given for vehicle equipped w/track, steel T69. Track, rubber, T85E1, also applicable w/changed sprocket.	
Manual and power turret-traversing mechanism.	
Auxiliary generator:	Homelite model HRUH-28

CARRIAGE, MOTOR, 90-MM GUN, M36



RA PD 137737



NOTE: ALL DIMENSIONS SHOWN
ARE IN INCHES

Technical Manuals: 9-758, 9-1731B, 9-1731D, 9-1731G, 9-1731K, 9-1750A, 9-1750B, 9-1750L, 9-1825A, 9-1825B, 9-1826B, 9-1828A, 9-1829A; Supply Catalog: SNL G-210.

Classification: Standard.

Armament: 1 gun, 90-mm, M3, turret mounted; 1 gun, machine, cal. .50, Browning, M2 heavy barrel (flexible), pedestal mounted on top of turret bustle.

Ammunition: 47 rounds, 90-mm; 1,050 rounds, cal. .50; 450 rounds, cal. .30, carbine; 12 hand grenades; 4 smoke pots; 18 signal, pyrotechnic.

Purpose: To provide mobility for 90-mm gun and crew protection in offensive combat.

Fire Control and Vision Devices: Periscope, M13, or M13B1, or M6 (vision); quadrant, elevation, M9; quadrant, gunner's, M1; telescope, M83C or M76F, or M71C; telescope, panoramic, M12 (sight); indicator, azimuth, M18.

Communications: (SCR-619 or SCR-610) and (RC-99); or (SCR-619 or SCR-610) and (RC-99) and (AN/VRC-3).

GENERAL DATA

Crew	5
Weight, fighting	(lb) 61,000
Overall length w/gun in traveling position	(in.) 254
Shipping dimensions, uncrated	(cu ft) 2,200; (sq ft) 240
Ground clearance	(in.) 17 3/4
Pintle height, loaded	(in.) 27 1/2
Ground pressure	(psi) 12.6
Electrical system	(volts) 24
No. of batteries	(12-volt) 2
Type of ground	negative
Fuel octane rating	80
Capacities:	
Fuel	(gal) 192
Cooling system	(qt) 68
Crankcase, refill	(qt) 32
Transmission, differential, and final drives:	
Three-piece, round-nose	(qt) 152
One-piece, sharp-nose	(qt) 164
Brakes	mechanical, controlled-differential
Parking brake, type	pedal for locking steering brake
Transmission forward speeds	5
Gear ratio	High 0.73:1; Fourth 1:1; Low 7.56:1
Differential-drive gear ratio	3.53:1
Final-drive gear ratio	2.84:1
Hull construction	welded homogeneous armor plate
Armor, Turret	Welded, armor plate.

PERFORMANCE

Maximum grade ability	(percent) 60
Turning radius	(ft) 31
Fording depth	(in.) 36
Maximum width of ditch vehicle can cross	(in.) 89
Maximum vertical obstacle vehicle can climb	(in.) 18
Fuel consumption (mpg): Off-highway 0.6	On highway 0.8
Cruising range (mi): Off highway 110	On highway 155
Allowable speed, governed	(mpg) 26
Maximum allowable towed load, gross	(lb) 10,000

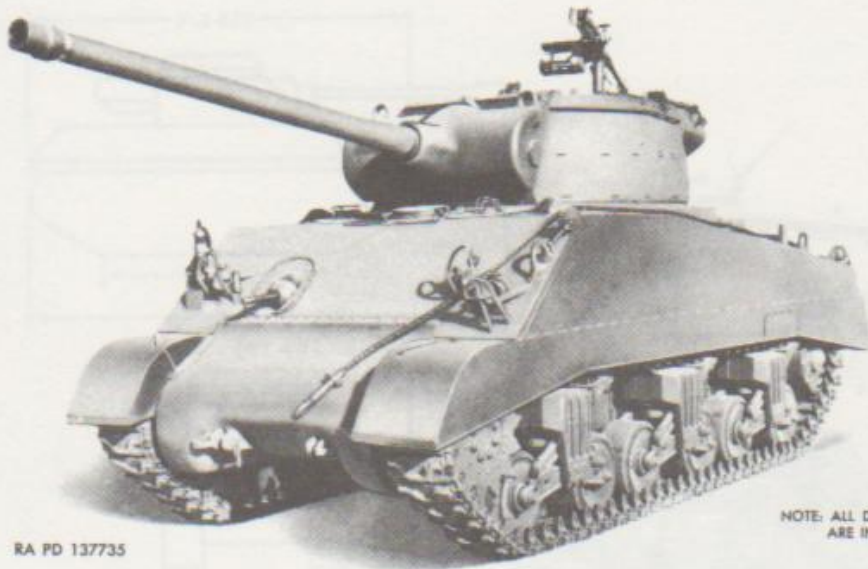
ENGINE

Manufacturer: Ford	Model GAA
Type	4-cycle, valve-in-head; No. of cylinders (60-deg V) 8
Displacement	(cu in.) 1,100
Bore	(in.) 5.4
Stroke	(in.) 6
Governed speed	(rpm) 2,600
Brake horsepower (max w/std accessories)	450 at (rpm) 2,600
Torque (max w/std accessories)	950 lb-ft at (rpm) 2,100
Type of ignition	magneto

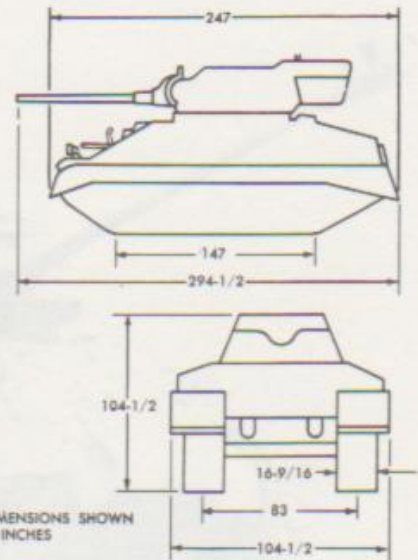
ADDITIONAL DATA

One-piece or three-piece differential housing used on this vehicle.
Data given w/track, rubber, T51. Track, rubber, T48; tracks, steel T49 and T54E1; track, rubber-backed steel, T74 are interchangeable.
Manual and power turret-traversing mechanism.
Auxiliary generator: Homelite Model HRUH-28.
Early models equipped w/hand brake on rear of transmission.

CARRIAGE, MOTOR, 90-MM GUN, M36B1



RA PD 137735



NOTE: ALL DIMENSIONS SHOWN ARE IN INCHES

Technical Manuals: 9-748, 9-1731B, 9-1731D, 9-1731G, 9-1731K, 9-1750D, 9-1750K, 9-1825A, 9-1825B, 9-1826B, 9-1828A, 9-1829A; Supply Catalog: SNL G-233.

Classification: Substitute Standard.

Armament: 1 gun, 90-mm, M3, turret mounted; 1 gun, machine cal. .50, Browning, M2, heavy barrel (flexible), pedestal mounted on top of turret bustle; 1 gun, machine, cal. .30, Browning, M1919A4, ball mounted at right front of hull.

Ammunition: 47 rounds, 90-mm; 1,000 rounds, cal. .50; 2,000 rounds, cal. .30, machine gun; 450 rounds, cal. .30, carbine; 12 hand grenades; 4 pots, smoke.

Purpose: To provide mobility for 90-mm gun and crew protection in offensive combat.

Fire Control and Vision Devices: Periscope, M13 or M13B1 or M6 (vision); quadrant, elevation, M9; quadrant, gunner's, M1; telescope, M83C or M76F or M71C; telescope panoramic, M12 (sight); azimuthal gunner's M20.

Communications: (SCR-619 or SCR-610) and (RC-99); or (SCR-619 or SCR-610) and (RC-99) and (AN/VRC-3).

GENERAL DATA

Crew	5
Weight, fighting	(lb) 68,000
Shipping dimensions, uncrated	(cu ft) 1,180; (sq ft) 208
Vehicle dimensions:	
Over-all length w/gun in traveling position	(in.) 286
Ground clearance	(in.) 17 1/4
Pintle height, loaded	(in.) 27 1/4
Ground pressure	(psi) 14.1
Electrical system:	
No. of batteries	(12-volt) 2
Type of ground	negative
Fuel octane rating	80
Capacities:	
Fuel	(gal) 168
Cooling system	(qt) 56
Crankcase, refill	(qt) 32
Transmission, differential, and final drives:	
Three-piece, round-nose	(qt) 152
One-piece, sharp-nose	(qt) 164
Brakes:	
mechanical, controlled-differential	
Parking brake, type	pedal for locking steering brakes
Transmission for ward speeds:	
Gear ratio	High 0.73:1; Fourth 1:1; Low 7.56:1
Differential-drive gear ratio	3.53:1
Final-drive gear ratio	2.84:1
Hull construction: welded homogeneous armor plate	
Armor, Turret: Welded homogeneous armor plate.	

PERFORMANCE

Maximum grade ability	(percent) 60
Turning radius	(ft) 31
Fording depth	(in.) 36
Maximum width of ditch vehicle can cross	(in.) 90
Maximum vertical obstacle vehicle can climb	(in.) 24
Fuel consumption (average conditions)	(mpg) 0.7
Cruising range (average conditions)	(mi) 115
Allowable speed, governed	(mph) 26
Maximum allowable towed load, gross	(lb) 10,000

ENGINE

Manufacturer	Ford	Model	GAA
Type	4-cycle, valve-in-head; No. of cylinders (60-deg V) 8		
Displacement	(cu in.) 1,100		
Bore	(in.) 5.4		
Stroke	(in.) 6		
Compression ratio	7.5:1		
Governed speed	(rpm) 2,800		
Brake horsepower (max w/std accessories)	450 at (rpm) 2,600		
Torque (max w/std accessories)	950 lb-ft at (rpm) 2,100		
Type of ignition	magneto		

ADDITIONAL DATA

Data given for vehicle equipped w/track, steel, T54E1, Tracks, rubber, T48 and T51; track, steel, T49; track, rubber-backed-steel, T74, are interchangeable.

One-piece or three-piece differential housing used on this vehicle.

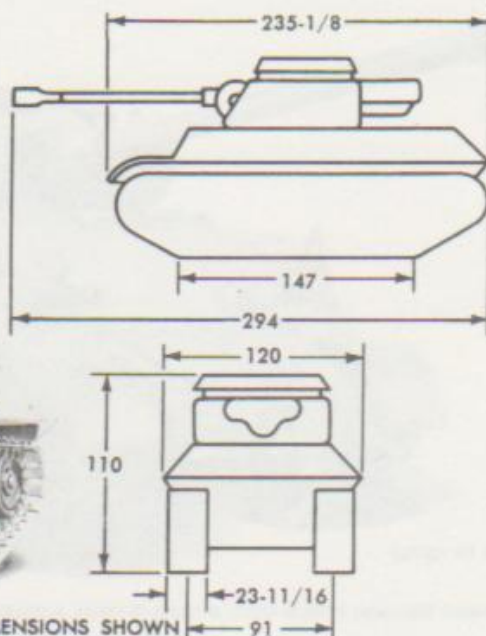
Manual and power turret-traversing mechanism.

Auxiliary generator: Homelite model HRUH-28.

CARRIAGE, MOTOR, 90-MM GUN, M36B2



RA PD 137734



NOTE: ALL DIMENSIONS SHOWN ARE IN INCHES

Technical Manuals: 9-745, 9-1731D, 9-1731G, 9-1731K, 9-1750A, 9-1750B, 9-1750G, 9-1750L, 9-1825A, 9-1829A; Supply Catalog: SNI, G-237.

Classification: Substitute Standard.

Armament: 1 gun, 90-mm, M3, turret mounted; 1 gun, cal. .50, Browning, heavy barrel, M2 (flexible) pedestal mounted on top of turret bustle.

Ammunition: 47 rounds, 90-mm; 1,000 rounds, cal. .50; 450 rounds cal. .30, carbine; 12 hand grenades; 4 pots, smoke; 18 signals, pyrotechnic.

GENERAL DATA

Crew	5
Weight, fighting	(lb) 66,000
Over-all length w/gun in traveling position	(in.) 254
Shipping dimensions, uncrated	(cu ft) 1,950; (sq ft) 212
Ground clearance	(in.) 18 3/4
Pintle height, loaded	(in.) 24
Ground pressure	(psi) 9.5
Electrical system	(volts) 24
No. of batteries	(12-volt) 2
Type of ground	negative
Fuel octane rating	(Diesel fuel oil) 40
Capacities:	
Fuel	(gal) 165
Cooling system	(qt) 120
Crankcase, refill	(each engine) (qt) 28
Transmission, differential, and final drives:	
Three-piece, round-nose	(qt) 152
One-piece, sharp-nose	(qt) 164
Transfer	(qt) 2 3/4
Oil tank (dry-sump engine only) (each tank)	(qt) 32
Brakes:	mechanical, controlled-differential
Parking brake, type	pedal lock on steering brakes
Transmission forward speeds	5
Gear ratio	High 0.73:1; Fourth 1:1; Low 7.56:1
Transfer speeds	1
Gear ratio	1.37:1
Differential-drive gear ratio	3.53:1
Final-drive gear ratio	2.84:1
Hull construction	welded homogeneous armor plate
Armor, Turret:	Cast homogeneous armor w/removable armor-plate top.

Purpose: To provide mobility for 90-mm gun, and protection for crew.

Fire Control and Vision Devices: Periscope, M13, or M13B1, or M6 (vision); quadrant elevation, M9; quadrant, gunner's, M1; telescope, M83C, M76F, or M71C (sight); telescope, panoramic, M12 (sight).

Communications: (SCR-619 or SCR-610) and (RC-99); or (SCR-619 or SCR-610) and RC-(99) and (AN/VRC-3).

PERFORMANCE

Maximum grade ability	(percent) 50
Turning radius	(ft) 31
Fording depth	(in.) 42
Maximum width of ditch vehicle can cross	(in.) 90
Maximum vertical obstacle vehicle can climb	(in.) 19
Fuel consumption (average conditions)	(mpg) 0.7
Cruising range (average conditions)	(mi) 115
Allowable speed, governed	(mph) 25
Maximum allowable towed load, gross	(lb) 10,000

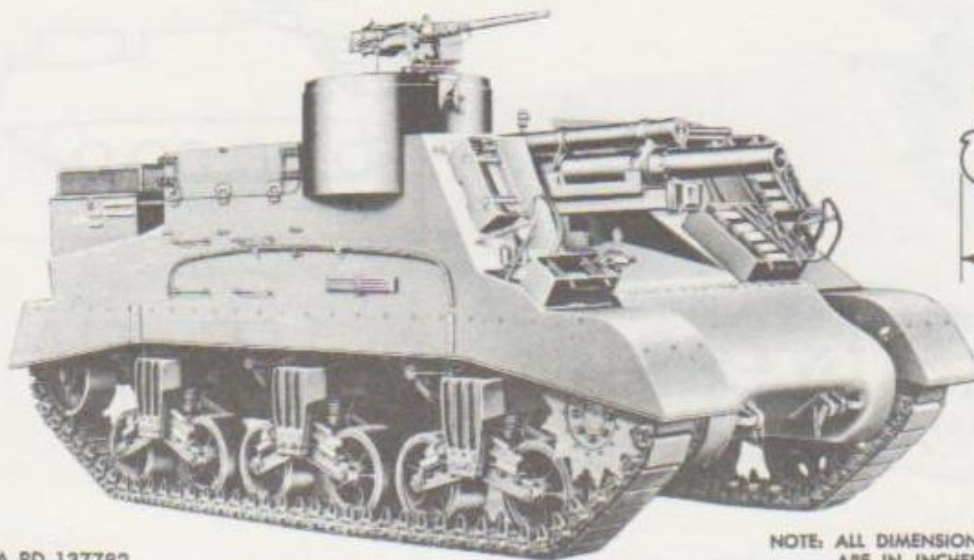
ENGINE

Manufacturer:	GMC	Model 6046 or 6046D
Type	Twin Diesel, 2-cycle; No. of cylinders 12	
Displacement	(cu in.) 850	
Bore	(in.) 4 3/4	
Stroke	(in.) 5	
Compression ratio	16:1	
Governed speed	(rpm) 2,100	
Brake horsepower (max w/std accessories)	575 at (rpm) 2,100	
Torque (max w/std accessories)	855 lb-ft at (rpm) 1,300	
Type of ignition	compression	

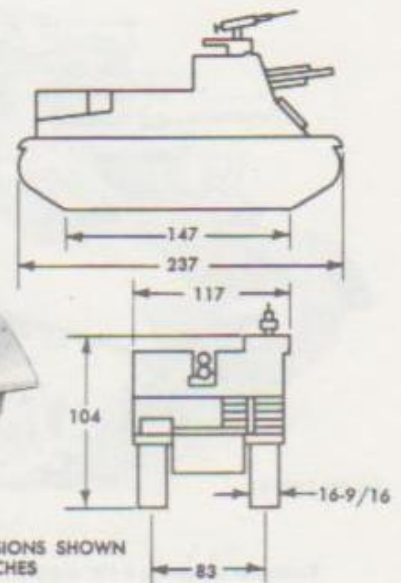
ADDITIONAL DATA

One-piece or three-piece differential housing used on this vehicle.
Manual and power turret-traversing mechanism.
Auxiliary generator: Homelite model HRUH-28.
Data given for vehicle equipped w/track, rubber, T54E1, w/extended end connectors.

CARRIAGE, MOTOR, 105-MM HOWITZER, M7



RA PD 137782



Technical Manuals: 9-731E, 9-1725, 9-1750A, 9-1750B, 9-1750C, 9-1750D, 9-1750K, 9-1751, 9-1825A, 9-1825B, 9-1826B, 9-1826A, 9-1829A; Supply Catalog: SNL G-128.

Classification: Substitute Standard.

Armament: 1 howitzer, 105-mm, M2A1, flexibly mounted in front end of fighting compartment; 1 gun, machine, cal. .50, Browning, M2, heavy barrel (flexible) ring mounted on machine gun turret at right side of hull.

Ammunition: 73 rounds, 105-mm; 600 rounds, cal. .50; 180 rounds, cal. .45, for submachine guns; 8 hand grenades.

Purpose: To provide mobility for 105-mm howitzer and crew protection.

Fire Control and Vision Devices: Quadrant, range, M4A1 or M4; quadrant, gunner's, M1; telescope, elbow, M16A1C (sight); telescope, panoramic, M12A2 (sight).

Communications: (RC-99).

GENERAL DATA

Crew	7
Weight, fighting	(lb) 52,000
Shipping dimensions, uncrated	(cu ft) 1,630; (sq ft) 190
Ground pressure	(psi) 10.7
Ground clearance	(in.) 17 1/4
Pintle height, loaded	(in.) 25 1/4
Electrical system	(volts) 24
No. of batteries	(12-volt) 2
Type of ground	negative
Fuel octane rating	80
Capacities:	
Fuel	(gal) 176
Engine oil tank:	
Early models	(qt) 32
Late models	(qt) 52
Transmission, differential, and final drives:	
Three-piece, round-nose	(qt) 152
One-piece, sharp-nose	(qt) 164
Brakes	mechanical, controlled-differential
Parking brake, type	pedal lock on steering brakes
Transmission forward speeds	5
Gear ratio	High 0.73:1; Fourth 1:1; Low 7.56:1
Final-drive gear ratio	2.84:1
Differential-drive gear ratio	3.53:1
Hull construction	welded homogeneous armor plate

PERFORMANCE

Maximum grade ability	(percent) 60
Turning radius	(ft) 31
Fording depth	(in.) 42
Maximum width of ditch vehicle can cross	(in.) 90
Maximum vertical obstacle vehicle can climb	(in.) 24
Fuel consumption (average conditions)	(mpg) 0.5
Cruising range (average conditions)	(mi) 85
Allowable speed, governed	(mph) 24
Maximum allowable towed load, gross	(lb) 10,000

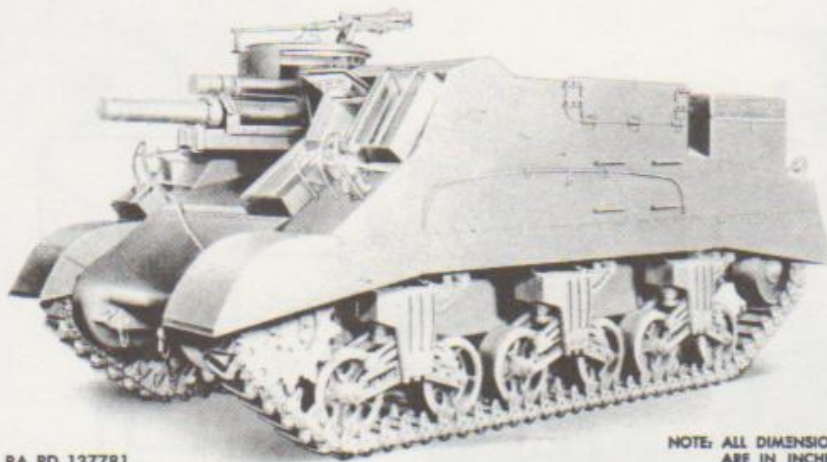
ENGINE

Manufacturer	Continental	Model R-975-C-1
Type	4-cycle, radial, air-cooled;	No. of cylinders 9
Displacement		(cu in.) 973
Bore		(in.) 5
Stroke		(in.) 5 1/4
Compression ratio		5.7:1
Governed speed		(rpm) 2,400
Brake horsepower (max w/std accessories)		350 at (rpm) 2,400
Torque (max w/std accessories)		840 lb-ft at (rpm) 1,800
Type of ignition		magneto

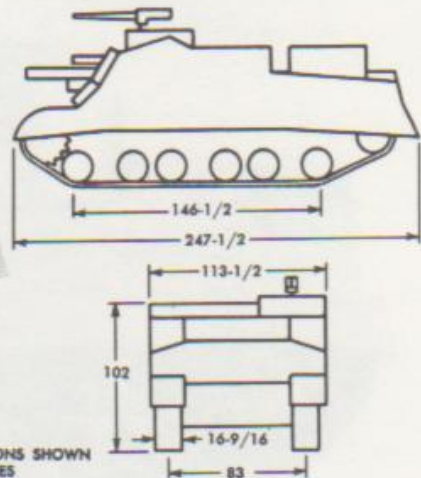
ADDITIONAL DATA

One-piece or three-piece final drive used.
 Parking brake, early model: Rear of transmission.
 Engine is interchangeable with model R-975-C-4.
 Data given w/track, rubber, T51. Tracks, rubber, T48 and T51E1; tracks, steel, T49 and T54E1; tracks, rubber-backed steel, T74 and T80, are interchangeable.

CARRIAGE, MOTOR, 105-MM HOWITZER, M7B1



RA PD 137781



NOTE: ALL DIMENSIONS SHOWN
ARE IN INCHES

Technical Manuals: 9-749, 9-1731B, 9-1750A, 9-1750B, 9-1750K, 9-1825A, 9-1825B, 9-1826B, 9-1828A, 9-1829A; Supply Catalog: SNL G-199.

Classification: Substitute Standard.

Armament: 1 howitzer, 105-mm, M2A1, flexibly mounted in forward end of fighting compartment; 1 gun, machine, cal. .50, Browning, M2, heavy barrel (flexible) ring mounted at right front of vehicle.

Ammunition: 73 rounds, 105-mm; 630 rounds, cal. .50; 180 rounds, cal. .45, for submachine gun; 540 rounds cal. .30, carbine; 8 hand grenades.

GENERAL DATA

Crew	7
Weight, fighting	(lb) 50,000
Shipping dimensions, uncrated	(cu ft) 1,695; (sq ft) 195
Ground pressure	(psi) 10.9
Ground clearance	(in.) 17 1/4
Pintle height, loaded	(in.) 25 1/4
Electrical system	(volts) 24
No. of batteries	(12-volt) 2
Type of ground	negative
Fuel octane rating	80
Capacities:	
Fuel	(gal) 168
Cooling system	(qt) 56
Crankcase, refill	(qt) 32
Transmission, differential, and final drives:	
Three-piece, round-nose	(qt) 152
One-piece, sharp-nose	(qt) 164
Brakes: mechanical, controlled-differential	
Parking brake type:	
Early models (round-nose)	rear of transmission
Late models (sharp-nose)	pedal for locking steering brakes
Transmission for forward speeds: 5	
Gear ratio	High 0.73:1; Fourth 1:1; Low 7.56:1
Final-drive gear ratio	2.84:1
Differential-drive gear ratio	3.53:1
Hull construction	welded homogeneous armor plate

Purpose: To provide mobility for 105-mm howitzer and crew protection in offensive combat.

Fire Control and Vision Devices: Quadrant, gunner's M1; quadrant range, M4A1 or M4; telescope, elbow, M16A1C (sight); telescope, panoramic, M12A2, (sight).

Communications: (RC-99).

PERFORMANCE

Maximum grade ability	(percent) 60
Turning radius	(ft) 31
Fording depth	(ft) 36
Maximum width of ditch vehicle can cross	(in.) 90
Maximum vertical obstacle vehicle can climb	(in.) 24
Fuel consumption (average conditions)	(mpg) 0.7
Cruising range (average conditions)	(mi) 125
Allowable speed, governed	(mph) 25
Maximum allowable towed load, gross	(lb) 10,000

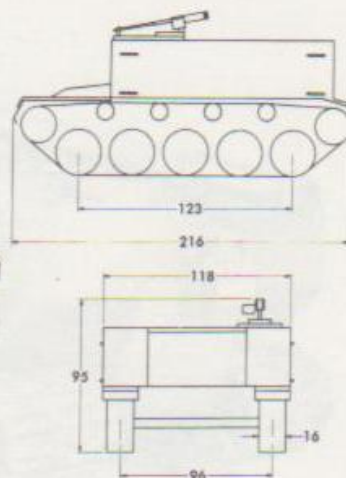
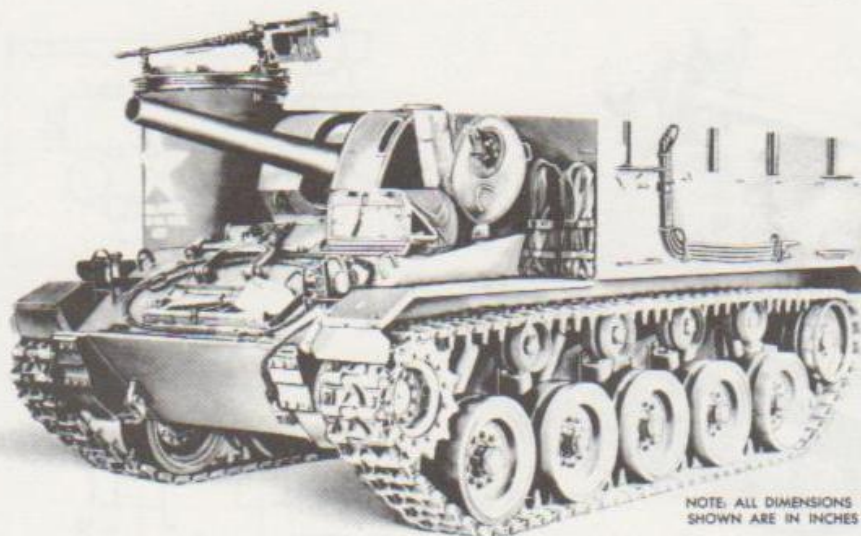
ENGINE

Manufacturer: Ford	Model GAA
Type	4-cycle, valve-in-head; No. of cylinders (60-deg V) 8
Displacement	(cu in.) 1,100
Bore	(in.) 5.4
Stroke	(in.) 6
Compression ratio	7.5:1
Governed speed	(rpm) 2,000
Brake horsepower (max w/std accessories)	450 at (rpm) 2,000
Torque (max w/std accessories)	950 lb-ft at (rpm) 2,100
Type of ignition	magneto

ADDITIONAL DATA

Data given for vehicle, equipped w/track, rubber, T15. Tracks, rubber, T48 and T51E; tracks, steel, T49 and T54E1 are interchangeable.

CARRIAGE, MOTOR, 105-MM, HOWITZER, M37



NOTE: ALL DIMENSIONS SHOWN ARE IN INCHES

RA PD 137748

Technical Manuals: 9-717, 9-1729A, 9-1729B, 9-1729C, 9-1825A, 9-1826A, 9-1828A, 9-1829A; Supply Catalog: SNL G-238.

Classification: Standard.

Armament: Howitzer, 105-mm, M4, flexibly mounted in front of fighting compartment. Gun, machine, cal. .50, Browning, M2, heavy barrel (flexible) ring mounted at right front of vehicle.

Ammunition: 126 rounds, 105-mm; 990 rounds, cal. .50; 750 rounds cal. .45 for submachine gun; 8 hand grenades.

GENERAL DATA

Crew	7
Weight, fighting	(lb) 46,000
Shipping dimensions, uncrated	(cu ft) 1,400; (sq ft) 177
Ground pressure	(psi) 11.7
Ground clearance	(in.) 18 3/4
Plate height, unloaded	(in.) 26 1/2
Electrical system	(volts) 24
No. of batteries	(6-volt) 4
Type of ground	negative
Fuel octane rating	70
Capacities:	
Fuel	(gal) 110
Cooling system	(each) (qt) 40
Crankcase, refill	(each engine) (qt) 8
Transmission (hydramatic)	(each) (qt) 15
Differential	(qt) 20
Transfer	(qt) 4 1/2
Final drive	(each) (qt) 2
Brakes	mechanical, controlled-differential
Parking brake, type	lever locks on steering brakes
Transmission (hydramatic) forward speeds	4
Gear ratio	High 1:1; Third 1.55:1; Low 3.92:1
Transfer speeds	(2 forward; 1 reverse) 3
Gear ratio	High 1.03:1; Low 2.34:1; Reverse 2.44:1
Final-drive gear ratio	2.94:1
Differential-drive gear ratio	2.62:1
Hull construction	welded homogeneous armor plate

Purpose: To provide mobility for 105-mm howitzer and crew protection in offensive combat.

Fire Control and Vision Devices: Periscope, M13 or M6 (vision); quadrant, elevation, M12; quadrant, gunner's M1; telescope, M76G; telescope, panoramic, M12 or M12A2 (sight).

Communications: (SCR-510) and (RC-99).

PERFORMANCE

Maximum grade ability	(percent) 60
Turning radius	(ft) 18
Fording depth	(in.) 42
Maximum width of ditch vehicle can cross	(in.) 108
Maximum vertical obstacle vehicle can climb	(in.) 36
Fuel consumption (average conditions)	(mpg) 9
Cruising range (average conditions)	(mi) 100
Allowable speed, recommended	(mph) 30
Maximum allowable towed load, gross	(lb) 10,000

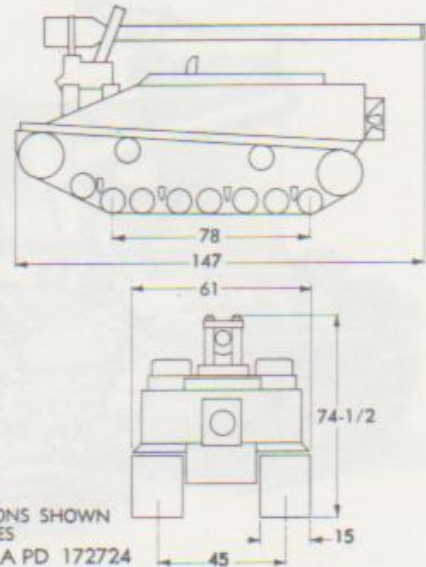
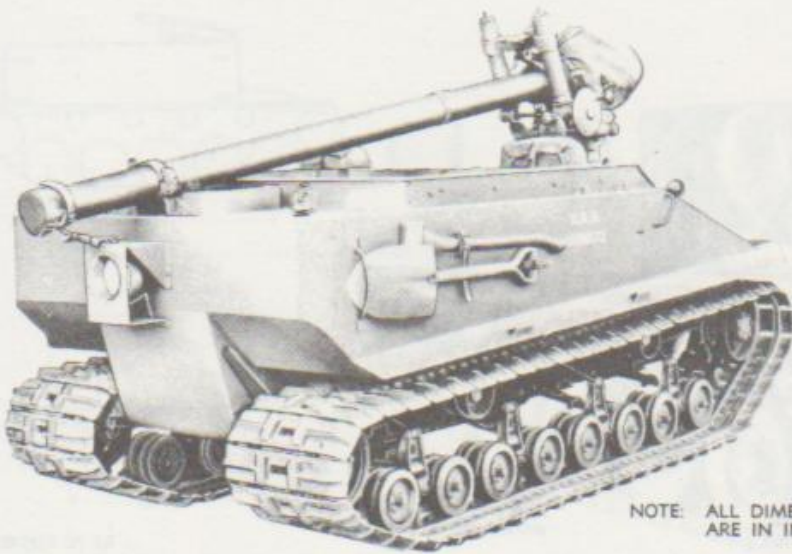
ENGINE

Manufacturer:	Cadillac	No. used	2; Model	44T24
Type	4-cycle, L-head; No. of cylinders (90-deg V) 6			
Displacement	(cu in.) 349			
Bore	(in.) 3 1/4			
Stroke	(in.) 4 1/4			
Compression ratio	7.06:1			
Governed speed	not governed			
Brake horsepower (max w/std accessories)	110 at (rpm) 3,400			
Torque (max w/std accessories)	240 lb-ft at (rpm) 1,200			
Type of ignition	distributor			

ADDITIONAL DATA

Data given for vehicle equipped w/track, steel, T72. Track, steel, T72E1 interchangeable. Track, rubber, T85E1 applicable w/changed sprocket.

CARRIAGE, MOTOR, 105-MM RIFLE, T106



NOTE: ALL DIMENSIONS SHOWN
ARE IN INCHES

RA PD 172724

Technical Manuals: (Installation of rifle and mount): 9-329 (for basic vehicle); 9-772, 9-1772; **Supply Catalog:** (for rifle): SNL C-77 (for vehicle): SNL G-179.

Armament: 1 gun, 105-mm, recoilless, M27 flexibly mounted in gun compartment.

Ammunition: 4 rounds, 105-mm, M3A3.

Fire-control and vision devices:

telescope, M90C (sight).

telescope, elbow, M62 (sight).

Purpose: To provide mobility for 105-mm recoilless gun over swampy and rough terrain.

Communications:

(SCR-506 or SCR-1935) and (SCR-508 or SCR-528 or SCR-608 or SCR-510 or SCR-619 or SCR-610); or (AN/GRC-9 or SCR-694C) and (SCR-510 or SCR-619 or SCR-610).

GENERAL DATA

Crew	2 to 4
Weight, fighting	(lb) 4,731
Over-all length (gun in traveling position)	(in.) 145
Shipping dimensions, uncrated	(cu ft) 381; (sq ft) 61.4
Ground pressure	(psi) 2.2
Ground clearance	(in.) 11
Pintle height, loaded	(in.) 27 1/4
Electrical system	(volts) 12
No. of batteries	(12-volt) 1 or (6-volt) 2
Type of ground	negative
Fuel octane rating	72
Capacities:	
Fuel	(gal) 35
Cooling system	(qt) 12 1/4
Crankcase, refill	(qt) 5
Transmission	(qt) 1
Differential and axle transmission	(qt) 6
Brakes	mechanical, controlled-differential
Parking brake, type:	
Early models	none
Late models	rear of axle transmission
Transmission for ward speeds	3
Gear ratio	High 1:1; Low 2.66:1
Axle transmission speeds	2
Gear ratio	High 0.866:1; Low 2.74:1
Differential-drive gear ratio	4.87:1
Hull construction	welded sheet steel

PERFORMANCE

Maximum grade ability	(percent) 65
Turning radius	(ft) 12
Fording depth	will float
Maximum width of ditch vehicle can cross	(in.) 36
Maximum vertical obstacle vehicle can climb	(in.) 24
Fuel consumption (average conditions)	(mpg) 5
Cruising range (average conditions)	(mi) 175
Allowable speed, recommended	(mph) 36
Maximum allowable to wad load, gross	(lb) 3,800

ENGINE

Manufacturer: Studebaker	Model: Champion
Type	4-cycle, L-head; No. of cylinders (in line) 6
Displacement	(cu in.) 170
Bore	(in.) 3
Stroke	(in.) 4
Compression ratio	7:1
Governed speed	not governed
Brake horsepower (max w/std accessories)	65 at (rpm) 3,600
Torque (max w/std accessories)	130 lb-ft at (rpm) 1,800
Type of ignition	distributor

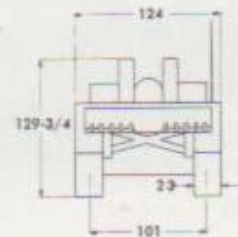
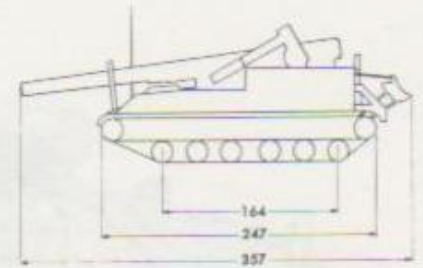
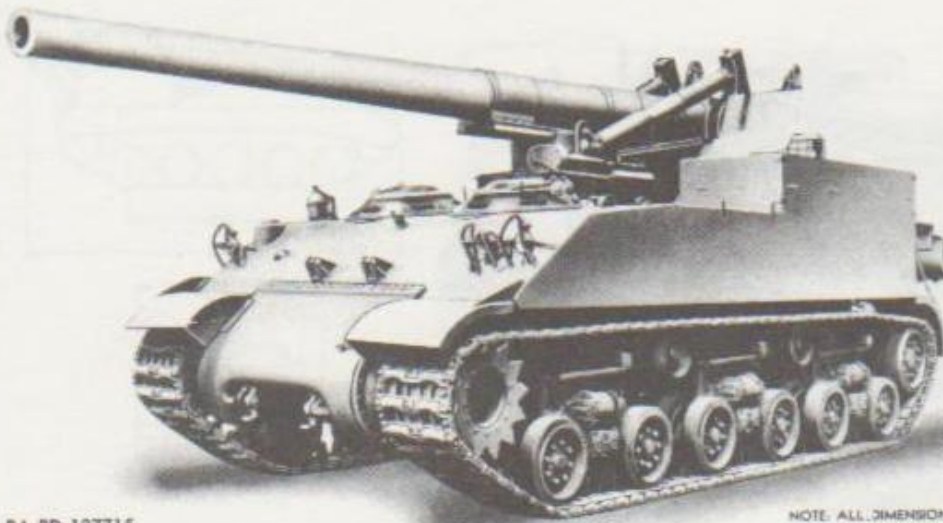
ADDITIONAL DATA

Data given for vehicle equipped with track, endless-rubber-band with riveted steel shoes, T76.

Track, endless-rubber-band with riveted steel shoes, T76E1 also applicable with changed suspension. Changes in data for vehicle equipped with track, T76E1 are as follows:

Track width	(in.) 20
Shipping dimensions	(cu ft) 443; (sq ft) 71.5
Over-all width	(in.) 71
Ground pressure	(psi) 1.75

CARRIAGE, MOTOR, 155-MM GUN, M40



RA PD 137715

NOTE: ALL DIMENSIONS SHOWN ARE IN INCHES

Technical Manuals: 9-747, 9-1725, 9-1747, 9-1750B, 9-1750C, 9-1750D, 9-1751, 9-1825A, 9-1825B, 9-1825B, 9-1828A, 9-1829A; Supply Catalog: SNL G-232.

Classification: Standard.

Armament: Gun, 155-mm, M2, flexibly mounted at rear of fighting compartment.

Ammunition: 20 rounds, 155-mm; 12 hand grenades; 10 rifle grenades.

Purpose: To provide mobility for 155-mm gun and crew protection in offensive combat.

Fire Control and Vision Devices: Periscope M13 or M6 (vision); quadrant gunner's M1; telescope, M69F (sight); telescope, elbow, MA161F (sight); telescope, panoramic, M12 (sight).

Communications: (SCR-619 or SCR-610) and (RC-99).

GENERAL DATA

Crew	8
Weight, fighting	(lb) 81,000
Shipping dimensions, uncrated	(cu ft) 3,320; (sq ft) 307
Ground pressure	(psi) 10.7
Ground clearance	(in.) 19 1/4
Pintle height, unloaded	(in.) 21 1/4
Electrical system	(volts) 24
No. of batteries	(12-volt) 2
Type of ground	negative
Fuel octane rating	80
Capacities:	
Fuel	(gal) 215
Engine oil tank	(qt) 52
Transmission, differential, and final drives	(qt) 152
Brakes	mechanical, controlled-differential
Parking brake, type	pedal for locking steering brakes
Transmission for ward speeds	5
Gear ratio	High 0.73:1; Fourth 1:1; Low 7.56:1
Differential-drive gear ratio	3.53:1
Final-drive gear ratio	2.84:1
Hull construction	welded homogeneous armor plate

PERFORMANCE

Maximum grade ability	(percent) 60
Turning radius	(ft) 41 1/2
Fording depth	(in.) 36
Maximum width of ditch vehicle can cross	(in.) 92
Maximum vertical obstacle vehicle can climb	(in.) 34
Fuel consumption (average conditions)	(mpg) 0.5
Cruising range (average conditions)	(mi) 107
Allowable speed, governed	(mph) 24
Maximum allowable towed load, gross	(lb) 10,000

ENGINE

Manufacturer: Continental	Model R975-C4
Type	4-cycle, radial, air-cooled; No. of cylinders 9
Displacement	(cu in.) 973
Bore	(in.) 5
Stroke	(in.) 5 1/4
Compression ratio	5.7:1
Governed speed	(rpm) 2,400
Brake horsepower (max w/std accessories)	400 at (rpm) 2,400
Torque (max w/std accessories)	900 lb-ft at (rpm) 1,700
Type of ignition	magneto

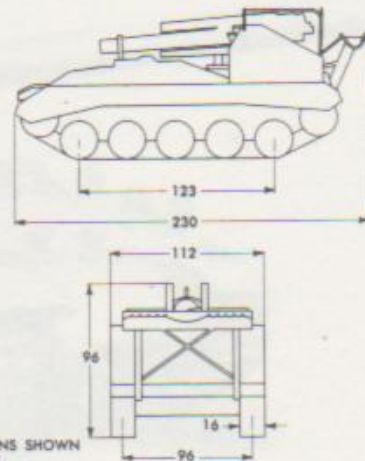
ADDITIONAL DATA

Data given for vehicle equipped w/track, steel, T66. Track, rubber-backed steel, T80 and track, rubber, T84 are interchangeable.

CARRIAGE, MOTOR, 155-MM HOWITZER, M41



RA PD 137746



NOTE: ALL DIMENSIONS SHOWN ARE IN INCHES

Technical Manuals: 9-744, 9-1729A, 9-1729B, 9-1729C, 9-1825A, 9-1826A, 9-1828A, 9-1829A; Supply Catalog: SNL G-236.

Classification: Standard.

Armament: Howitzer, 155-mm, M1, flexibly mounted at rear of fighting compartment.

Ammunition: 22 rounds, 155-mm; 420 rounds, cal. .45 for submachine-gun; 480 rounds, cal. .30, carbine; 12 hand grenades.

Purpose: To provide mobility for 155-mm howitzer and crew protection in offensive combat.

Fire Control and Vision Devices: Periscope, M13 or M6 (vision); quadrant gunner's, M1; telescope, panoramic, M12A6.

Communications: (SCR-619 or SCR-610 or SCR-510) and (RC-99).

GENERAL DATA

Crew.....	12
Weight, fighting.....	(lb) 42,500
Shipping dimensions, uncrated.....	(cu ft) 1,430; (sq ft) 179
Ground pressure.....	(psi) 10.8
Ground clearance.....	(in.) 17 3/4
Pintle height, unloaded.....	(in.) 19 3/4
Electrical system.....	(volts) 24
No. of batteries.....	(12-volt) 2
Type of ground.....	negative
Fuel octane rating.....	70
Capacities:	
Fuel.....	(gal) 110
Cooling system.....	(each) (qt) 40
Crankcase, refill.....	(each) (qt) 8
Transmission.....	(each) (qt) 15
Transfer.....	(qt) 4 1/2
Differential.....	(qt) 20
Final drive.....	(each) (qt) 2
Brakes.....	mechanical, controlled-differential
Parking brake, type.....	depressor knobs for locking steering brakes
Transmission for ward speeds.....	4
Gear ratio.....	High 1:1; Third 1.55:1; Low 3.92:1
Transfer speeds.....	(2 forward; 1 reverse) 3
Gear ratio.....	High 1.03:1; low 2.34:1; reverse 2.44:1
Differential-drive gear ratio.....	2.62:1
Final-drive gear ratio.....	2.94:1
Hull construction.....	welded homogeneous armor plate

PERFORMANCE

Computed maximum grade ability.....	(percent) 60
Turning radius.....	(ft) 18
Fording depth.....	(in.) 42
Maximum width of ditch vehicle can cross.....	(in.) 108
Maximum vertical obstacle vehicle can climb.....	(in.) 40
Fuel consumption (average conditions).....	(mpg) 0.9
Cruising range (average conditions).....	(mi) 96
Allowable speed, recommended.....	(mph) 30
Maximum allowable towed load, gross.....	(lb) 10,000

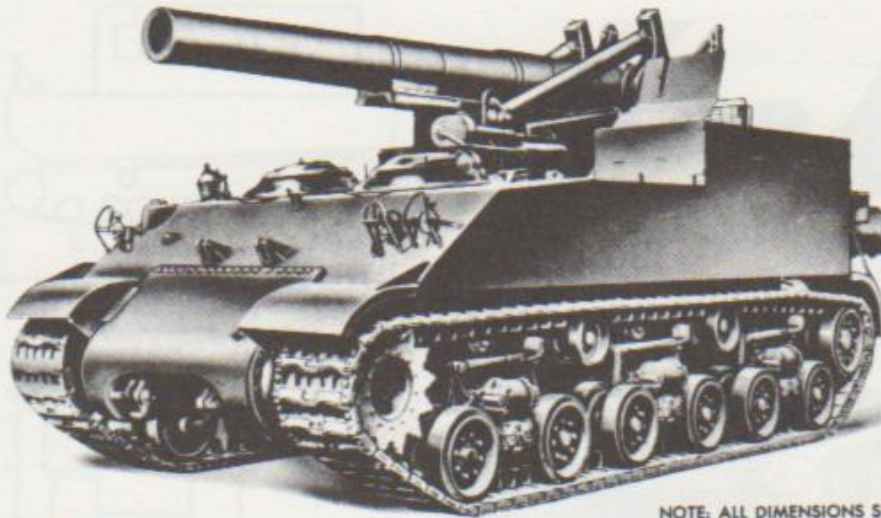
ENGINE

Manufacturer: Cadillac.....	No. used 2; Model 42
Type.....	4-cycle, L-head; No. of cylinders (90-deg V) 8
Displacement.....	(cu in.) 346
Bore.....	(in.) 3 1/2
Stroke.....	(in.) 4 1/2
Compression ratio.....	7.06:1
Governed speed.....	not governed
Brake horsepower (max w/std accessories).....	110 at (rpm) 3,400
Torque (max w/std accessories).....	240 lb-ft at (rpm) 1,200
Type of ignition.....	distributor

ADDITIONAL DATA

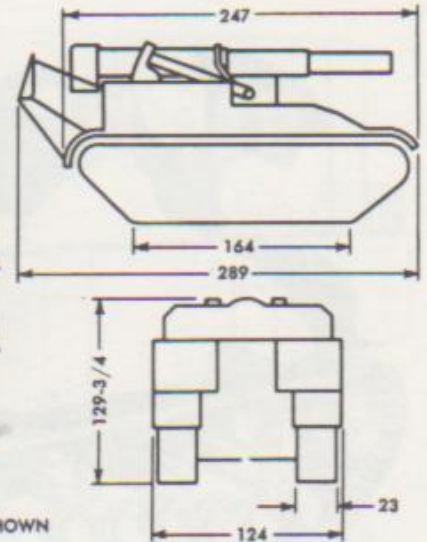
Manual and power traversing and elevating mechanism.
Data given for vehicle equipped w/track, steel, T72. Track, steel, T72E1 interchangeable. Track, rubber, T85E1 applicable w/changed sprocket.

CARRIAGE, MOTOR, 8-INCH HOWITZER, M43



RA PD 137750

NOTE: ALL DIMENSIONS SHOWN ARE IN INCHES



Technical Manuals: 9-747, 9-1725, 9-1747, 9-1750B, 9-1750C, 9-1750D, 9-1751, 9-1825A, 9-1825B, 9-1826B, 9-1828A, 9-1829A; Supply Catalog: ENL G-232.

Classification: Standard.

Purpose: To provide mobility for 8-in. howitzer and crew protection in offensive combat.

Armament: Howitzer, 8 in, M2, flexibly mounted at rear of fighting compartment.

Fire Control and Vision Devices: Periscope, M13 or M6 (vision); quadrant, gunner's, M1; telescope, M69G (sight); telescope, elbow, M16A1G (sight); telescope, panoramic, M12 (sight).

Ammunition: 12 rounds, 8 in; 12 hand grenades; 10 rifle grenades.

Communications: (SCR-619 or SCR-610) and (RC-99)

GENERAL DATA

Crew	8
Weight, fighting	(lb) 80,000
Shipping dimensions, uncrated	(cu ft) 2,690; (sq ft) 249
Ground clearance	(in.) 19 1/4
Pintle height, unloaded	(in.) 21 1/4
Ground pressure	(psi) 10.2
Electrical system	(volts) 24
No. of batteries	(12-volt) 2
Type of ground	negative
Fuel octane rating	.80
Capacities:	
Fuel	(gal) 215
Transmission, differential, and final drives	(qt) 152
Engine oil tank	(qt) 52
Brakes	mechanical, controlled-differential
Parking brake, type	pedal for locking steering brakes
Transmission for ward speeds	5
Gear ratio	High 0.73:1; Fourth 1:1; Low 7.56:1
Differential-drive gear ratio	3.53:1
Final-drive gear ratio	2.54:1
Hull construction	welded homogeneous armor plate

PERFORMANCE

Maximum grade ability	(percent) 60
Turning radius	(ft) 41 1/4
Fording depth	(in.) 36
Maximum width of ditch vehicle can cross	(in.) 92
Maximum vertical obstacle vehicle can climb	(in.) 34
Fuel consumption (average conditions)	(mpg) .5
Cruising range (average conditions)	(mi) 107
Allowable speed, governed	(mph) 24
Maximum allowable towed load, gross	(lb) 10,000

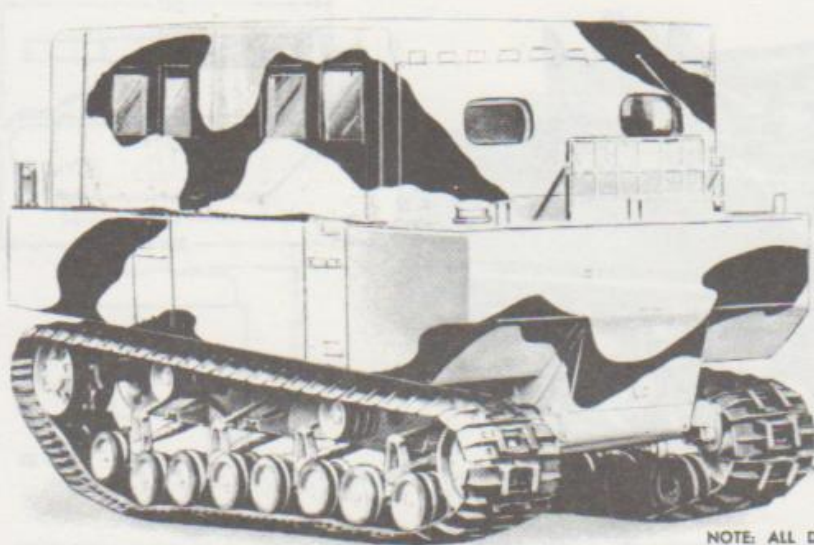
ENGINE

Manufacturer	Continental	Model R975-C4
Type	4-cycle, radial, air cooled;	No. of cylinders 9
Displacement	(cu in.) 973	
Bore	(in.) 5	
Stroke	(in.) 5 1/4	
Compression ratio	5.7:1	
Governed speed	(rpm) 2,400	
Brake horsepower (max w/std accessories)	400 at (rpm) 2,400	
Torque (max w/std accessories)	940 lb-ft at (rpm) 1,700	

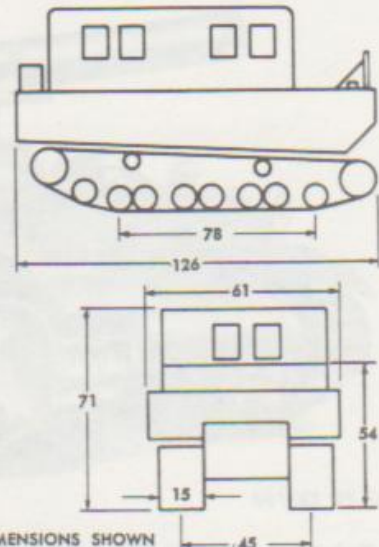
ADDITIONAL DATA

Data given for vehicle equipped w/track, steel T66. Track, rubber-backed steel, T80 and Track, rubber, T84 are interchangeable.

CARRIER, CARGO, M29



RA PD 137738



NOTE: ALL DIMENSIONS SHOWN ARE IN INCHES

Technical Manuals: 9-772, 9-1772, 9-1825B, 9-1826A, 9-1828A; Supply Catalog: SNL G-179.

Classification: Standard.

Communications: (SCR-506 or SCR-193S) and (SCR-508 or SCR-528 or SCR-608 or SCR-510 or SCR-619 or SCR-610); or (AN/GRC-9 or SCR-694C) and (SCR-510 or SCR-619 or SCR-610).

GENERAL DATA

Crew	2 to 4
Weight (lb)	Net 3,725; Crew and Equipment 1,200; Gross 4,925
Shipping dimensions, uncrated	(cu ft) 242; (sq ft) 54
Ground clearance	(in.) 11
Ground pressure	(psi) 2.1
Pintle height, loaded	(in.) 27½
Electrical system	(volts) 12
No. of batteries	one 12-volt or two 6-volt
Type of ground	negative
Fuel octane rating	72
Capacities:	
Fuel	(gal) 35
Cooling system	(qt) 1294
Crankcase, refill	(qt) 5
Transmission	(qt) 1
Differential and axle transmission	(qt) 6
Brakes	mechanical, controlled-differential
Parking brakes:	
Early models	none
Late models	rear of axle transmission
Transmission forward speeds	3
Gear ratio	High 1:1; Low 2.66:1
Axle-transmission speeds	2
Gear ratio	High 0.866:1; Low 2.74:1
Differential-drive gear ratio	4.87:1
Hull construction	welded sheet steel

PERFORMANCE

Maximum grade ability	(percent) 65
Turning radius	(ft) 12
Fording depth	will float

Purpose: To transport personnel or cargo over snow and ice or difficult terrain.

PERFORMANCE—Continued

Maximum width of ditch vehicle can cross	(in.) 36
Maximum vertical obstacle vehicle can climb	(in. 24)
Fuel consumption (average conditions)	(mpg) 5
Cruising range (average conditions)	(mi) 175
Allowable speed, recommended	(mph) 3½
Maximum allowable towed load, gross	(lb) 3,800

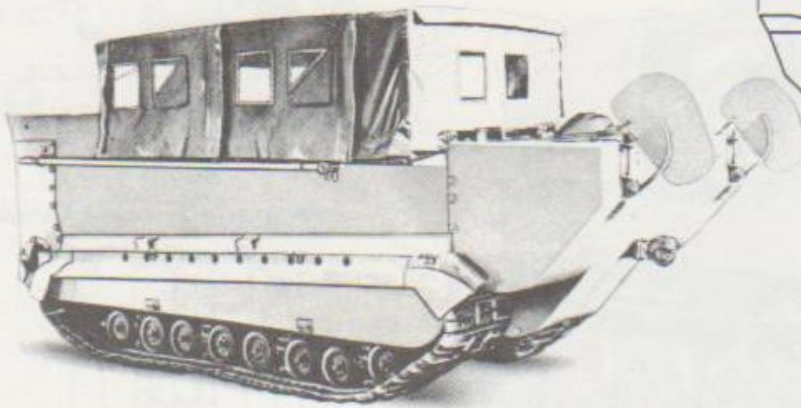
ENGINE

Manufacturer	Studebaker	Model	Champion
Type	4-cycle, L-head; No. of cylinders (in line) 6		
Displacement	(cu in.) 170		
Bore	(in.) 3		
Stroke	(in.) 4		
Compression ratio	7:1		
Governed speed	not governed		
Brake horsepower (max w/std accessories)	65	at (rpm)	3,600
Torque (max w/std accessories)	130 lb-ft	at (rpm)	1,800
Type of ignition	distributor		

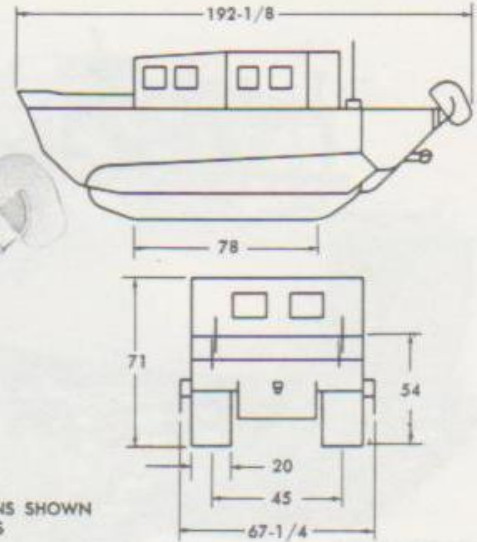
ADDITIONAL DATA

Above data is for early-production vehicles having 15-in. track.
For later-production vehicles having 20-in track, data is as follows:
Weight (lb) Net 4,077; Crew and equipment 1,200; Gross 5,277
Shipping dimensions, uncrated (cu ft) 261; (sq ft) 58
Over-all width (in.) 66
Ground pressure (psi) 1.6
Data given for vehicle equipped w/15-in. track, steel, endless rubber band, T76. Track, 20-in., steel, endless rubber band, T76E1 applicable w/changed suspension.

CARRIER, CARGO, AMPHIBIAN, M29C



RA PD 137745



NOTE: ALL DIMENSIONS SHOWN ARE IN INCHES

Technical Manuals: 9-772, 9-1772, 9-1825B, 9-1826A, 9-1828A; Supply Catalog: SNL G-179.

Classification: Standard.

Purpose: To transport personnel or light cargo on land or water.

Communications: (SCR-506 or SCR-193S) and (SCR-508 or SCR-528 or SCR-608 or SCR-510 or SCR-619 or SCR-610); or (AN/GRC-9 or SCR-694C) and (SCR-510 or SCR-619 or SCR-610).

GENERAL DATA

Crew	2 to 4
Weight (lb)	Net 4,778; Crew and equipment 1,200; Gross 5,971
Shipping dimensions, uncrated	(cu ft) 403; (sq ft) 90
Freeboard at gross weight:	
Bow	(in.) 10 1/2
Stern	(in.) 8
Ground clearance	(in.) 11
Pintle height, loaded	(in.) 27 1/2
Ground pressure	(psi) 1.91
Electrical system	(volts) 12
No. of batteries	(12-volt) 1 or (6-volt) 2
Type of ground	negative
Fuel octane rating	72
Capacities:	
Fuel	(gal) 35
Cooling system	(qt) 12 3/4
Crankcase, refill	(qt) 5
Transmission	(qt) 1
Differential and axle transmission	(qt) 6
Capstan	(qt) 1
Brakes	mechanical, controlled-differential
Parking brakes:	
Early models	none
Late models	rear of axle transmission
Transmission forward speeds	3
Gear ratio	High 1:1; Low 2.66:1
Axle-transmission speeds	2
Gear ratio	High 0.866:1; Low 2.74:1
Differential-drive gear ratio	4.87:1
Hull construction	welded sheet steel

PERFORMANCE

Maximum grade ability	(percent) 65
Turning radius (on land)	(ft) 12
Fording depth	will float
Maximum width of ditch vehicle can cross	(in.) 36
Maximum vertical obstacle vehicle can climb	(in.) 10
Fuel consumption (average conditions)	(mpg) 5
Fuel consumption on water:	
(2,000 rpm, wide-open throttle)	(gph) 2.5 to 2.7
Cruising range (average conditions)	(mi) 175
Allowable speed, recommended	(mph) 36
Maximum allowable towed load, gross	(lb) 3,800

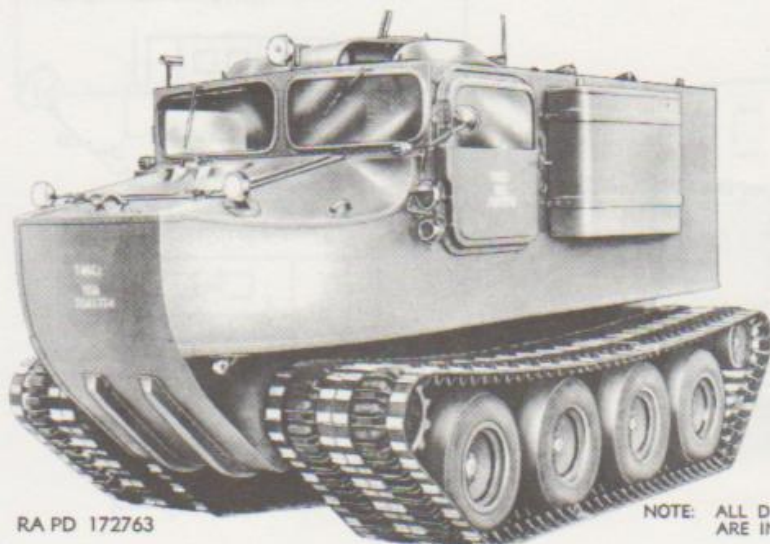
ENGINE

Manufacturer:	Studebaker	Model	Champion
Type	4-cycle, L-head;	No. of cylinders (in line)	6
Displacement	(cu in.)	170	
Bore	(in.)	3	
Stroke	(in.)	4	
Compression ratio	7:1		
Governed speed	not governed		
Brake horsepower (max w/std accessories)	65 at (rpm)	3,600	
Torque (max w/std accessories)	130 lb-ft at (rpm)	1,800	
Type of ignition	distributor		

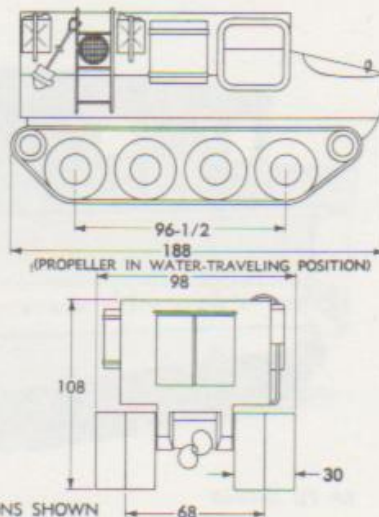
ADDITIONAL DATA

Data given for vehicle equipped w/track, steel, endless rubber band, T76E1.

CARRIER, CARGO, AMPHIBIOUS, T46E1



RA PD 172763



NOTE: ALL DIMENSIONS SHOWN ARE IN INCHES

Technical Manuals: 9-1825A, 9-1825C, 9-1825E, 9-1828A.

Purpose: To transport general cargo and personnel on land or water.

GENERAL DATA

Crew.....	2
Weight, fighting.....	(lb) 12,182
Shipping dimensions, uncrated.....	(cu ft) 1,180; (sq ft) 132
Ground pressure.....	(psi) 2.1
Vehicle dimensions:	
Ground clearance.....	(in.) 16 3/4
Pintle height, loaded.....	(in.) 39 3/4
Cargo-compartment inside dimensions (in.):	
Length 91.....	Width 68; Height 58
Cargo space.....	(cu ft) 208
Electrical system	
No. of batteries.....	(volts) 24
Type of ground.....	negative
Fuel octane rating.....	80
Capacities:	
Fuel.....	(gal) 60
Crankcase, refill.....	(qt) 16
Transmission, cross-drive.....	(qt) 21
Brakes:	
Hand-lever-controlled, hydraulic, multiple-disk steering brakes.	
Pedal operates them as service brakes.	
Parking brake: Latch locks on steering brakes.	
Transmission ranges (high, low, and reverse).....	3
Overall maximum useable ratio:	
High range.....	18.494
Low range.....	42.277
Torque-converter stall ratio.....	4.5:1
Final-drive gear ratio.....	4.11:1
Hull construction.....	riveted aluminum-alloy sheet

PERFORMANCE

Maximum grade ability.....	(percent) 60
Turning radius.....	pivots in place
Maximum width of ditch vehicle can cross.....	(in.) 60
Maximum vertical obstacle vehicle can climb.....	(in.) 18
Fuel consumption (average conditions)	
(on land) (mpg) 2.3	
(on water) (gph) 12	
Cruising range (average conditions)	
(on land) (mi) 140	
(on water) (hrs) 5	
Allowable speed, governed.....	(mph) 28
Maximum allowable towed load, gross.....	(lb) 6,000

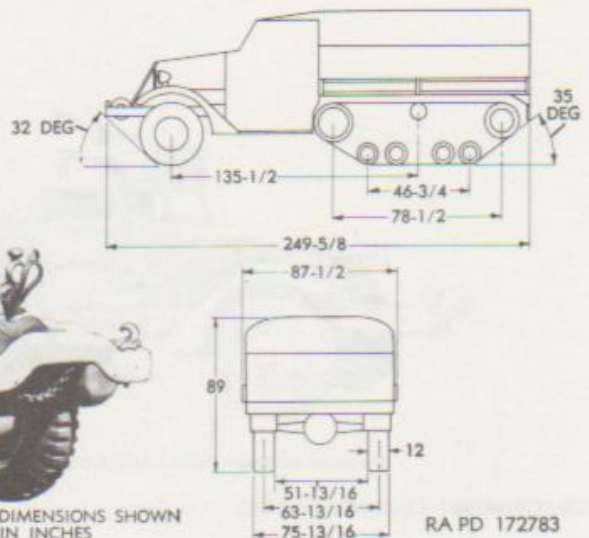
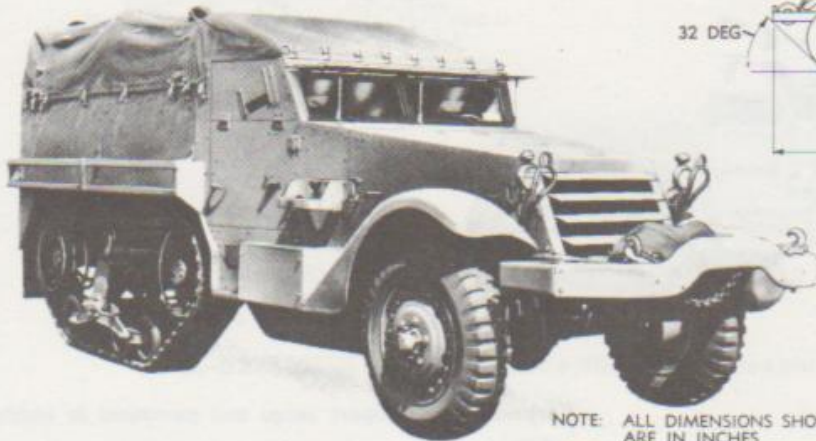
ENGINE

Manufacturer: Continental.....	Model AO-268-3A
Type.....	4-cycle, valve-in-head, air-cooled
No. of cylinders.....	(opposed) 4
Displacement.....	(cu in.) 269
Bore.....	(in.) 4 1/2
Stroke.....	(in.) 4
Compression ratio.....	6.9:1
Governed speed.....	(rpm) 3,200
Brake horsepower (max w/std accessories).....	127 at (rpm) 3,200
Torque (max w/std accessories).....	225 lb-ft at (rpm) 2,600
Type of ignition.....	magneto

ADDITIONAL DATA

Over-all length w/propeller in land traveling position..... (in.) 193

CARRIER, PERSONNEL, HALF-TRACK, M3



NOTE: ALL DIMENSIONS SHOWN ARE IN INCHES

RA PD 172783

Technical Manuals: 9-710, 9-1710, 9-1710C, 9-1711, 9-1827B, 9-1827C, 9-1828A, 9-1829A; Supply Catalog: SNL G-102.

Classification: Limited Standard.

Armament: 1 gun, machine, cal. .30, Browning, M1919A4 (flexible) pedestal mounted behind center seat of driver's compartment.

Ammunition: 4,000 rounds, cal. .30; 540 rounds, cal. .45, for sub-machine-gun; 22 hand grenades; 24 mines, antitank w/fuze.

GENERAL DATA

Crew	13
Weight (lb)	Net 15,500; Payload 4,500; Gross 20,000
Front-axle gear ratio	6.8:1
Rear-axle (jackshaft) gear ratio	4.44:1
Axle load (lb):	
Empty	front 5,735; rear (each track) 4,883
Loaded	front 7,400; rear (each track) 6,300
Tires (combat):	
Ply 12; Size 8.25 x 20; Pressure	(psi) 55
Tread, center-to-center, front	(in.) 63 ¹³ / ₁₆
Track ground pressure (loaded)	(psi) 11.3
Shipping dimensions, uncrated	(cu ft) 1,127; (sq ft) 152
Vehicle dimensions:	
Ground clearance	(in.) 17 ³ / ₄
Pintle height (loaded)	(in.) 28
Electrical system	(volts) 12
No. of batteries	1
Type of ground	negative
Fuel octane rating	72
Capacities:	
Fuel	(gal) 60
Cooling system	(qt) 26
Crankcase, refill	(qt) 10 ¹ / ₂
Transfer and transmission (qt)	w/o PTO 7 ¹ / ₂ ; w/PTO 9
Axles (qt)	front 3 ¹ / ₂ ; rear 6
Winch:	
Load capacity	(lb) 10,000
Oil capacity	(qt) 2
Brakes:	
Manufacturer: Bendix or Wagner	Type: hydrovac
Parking brake, type	transfer
Transmission forward speeds	4
Gear ratio	High 1:1; Low 4.92:1
Transfer speeds	2
Gear ratio	High 1:1; Low 2.48:1

Purpose: To transport cargo and personnel in combat zone.

Communications: (SCR-193 or SCR-245 or SCR-506 or SCR-508 or SCR-510).

PERFORMANCE

Maximum grade ability	(percent) 60
Turning radius	(ft) 29 ¹ / ₂
Fording depth	(in.) 32
Fuel consumption, loaded	(mpg) 3 ¹ / ₂
Cruising range, loaded	(mi) 210
Allowable speed, recommended	(mph) 45
Maximum recommended towed load, gross, off highway	(lb) 4,500

ENGINE

Manufacturer: White	Model 160AX
Type	L-head, 4-cycle; No. of cylinders (in line) 6
Displacement	(cu in.) 386
Bore	(in.) 4
Stroke	(in.) 5 ¹ / ₂
Compression ratio	6.44:1
Governed speed	not governed
Brake horsepower (max w/std accessories)	127 at (rpm) 3,000
Torque (max)	325 lb-ft at (rpm) 1,200

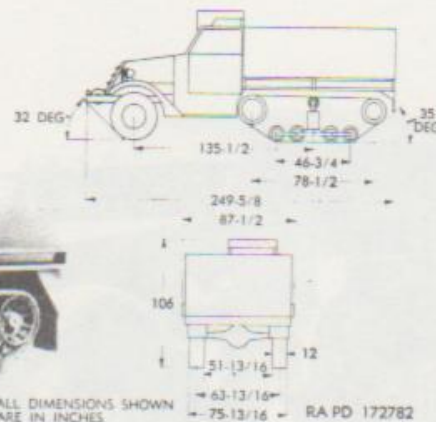
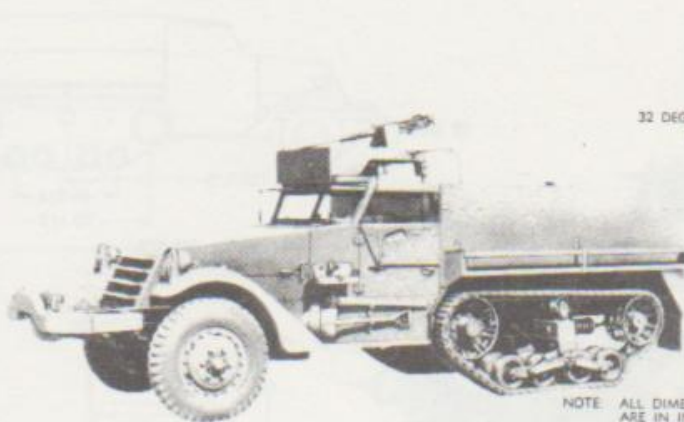
ADDITIONAL DATA

Data given for vehicle w/winch. For vehicle w/o winch and w/front roller, changes in data are as follows: Net weight (lb): 15,000; Payload 5,000. Axle load (lb): Loaded, front 6,900; rear (each track) 6,550; Empty, front 5,175; rear (each track) 4,913. Over-all length (in.) 243¹/₄; Shipping dimensions, uncrated: (cu ft) 1,100; (sq ft) 148. Angle of approach (deg) 37.

Equipped w/controller for trailer electric brakes.

Live axles, type.....spiral-bevel, full-floating
Transmission, type.....constant-mesh

CARRIER, PERSONNEL, HALF-TRACK, M3A1



Technical Manuals: 9-710, 9-1710, 9-1710C, 9-1711, 9-1827B, 9-1827C, 9-1828A; Supply Catalog: 8NL G-102.

Classification: Limited Standard.

Armament: 1 machine gun, cal. .50, Browning, heavy barrel, M2 (flexible) ring mounted at top right side of driver's compartment; 1 machine gun, cal. .30, Browning, M1919A4 (flexible), pintle mounted on either side or rear of vehicle.

Ammunition: 700 rounds, cal. .50; 7,750 rounds, cal. .30; 540 rounds, cal. .45, for submachine gun; 22 hand grenades; 24 mines, antitank, w/fuze.

GENERAL DATA

Crew	13
Weight (lb)	Net 15,300; Payload 5,200; Gross 20,500
Front-axle gear ratio	6.8 : 1
Rear-axle (jackshaft) gear ratio	4.44 : 1
Axle load (lb):	
Empty	front 5,661; rear (each track) 4,820
Loaded	front 7,585; rear (each track) 6,458
Tires (combat):	
Ply 12	size 8.25 x 20; Pressure (psi) 55
Tread, center-to-center, front	(in.) 63 3/4
Track ground pressure (loaded)	(psi) 11.6
Shipping dimensions, uncrated	(cu ft) 1,340; (sq ft) 152
Vehicle dimensions:	
Ground clearance	(in.) 11 3/4
Pintle height (loaded)	(in.) 28
Electrical system	(volts) 12
No. of batteries	1
Type of ground	negative
Fuel octane rating	72
Capacities:	
Fuel	(gal) 60
Cooling system	(qt) 26
Crankcase, refill	(qt) 10 1/2
Transmission and transfer (qt)	w/o PTO 7 1/4; w/PTO 9
Axles (qt)	front 3 1/4; rear 6
Winch:	
Load capacity	(lb) 10,000
Oil capacity	(qt) 2
Brakes:	
Manufacturer, Bendix or Wagner	Type: hydrovac
Parking brake, type	transfer
Transmission for ward speeds	4
Gear ratio	High 1:1; Low 4.92:1
Transfer speeds	2
Gear ratio	High 1:1; Low 2.48:1

Purpose: To transport cargo and personnel in combat zone.

Communications: (SCR-499 or SCR-542); or (SCR-507 or SCR-193T) and (SCR-508 or SCR-528 or SCR-608 or SCR-510 or SCR-619 or SCR-610); or (SCR-506 or SCR-193T) and (SCR-508 or SCR-528) and (AN/VRC-3); or (SCR-508 or SCR-528 or SCR-510) and (AN/VRC-3); or (SCR-508 or SCR-528) and (SCR-593); or (SCR-508) and (SCR-593) and (AN/GRC-9 or SCR-694C); or (SCR-506) and (SCR-508) and (SCR-593 or SCR-499); or (SCR-508) and (SCR-510); or (AN/GRC-3, -4, -5, -6, -7, or -8 or AN/VRQ-1, -2, or -3 or AN/VRC-8, -9, or -10) and (SCR-506 or AN/GRC-9 or SCR-694C or SCR-593 or AN/GRC-5).

PERFORMANCE

Maximum grade ability	(percent) 60
Turning radius	(ft) 29 1/4
Fording depth	(in.) 32
Fuel consumption, loaded	(mpg) 3 1/4
Cruising range, loaded	(mi) 210
Allowable speed, recommended	(mph) 45
Maximum recommended towed load, gross, off highway	(lb) 4,500

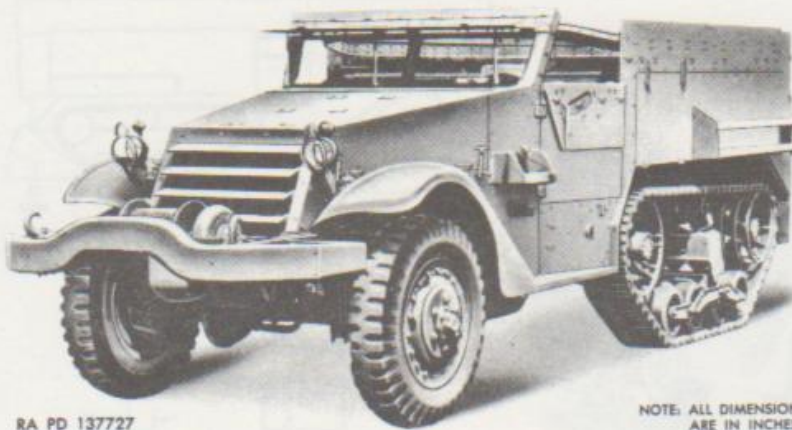
ENGINE

Manufacturer: White	Model 160AX
Type	L-head, 4-cycle; No. of cylinders (in line) 6
Displacement	(cu in.) 386
Bore	(in.) 4
Stroke	(in.) 5 1/4
Compression ratio	6.44 : 1
Governed speed	not governed
Brake horsepower (max w/std accessories)	127 at (rpm) 3,000
Torque (max)	325 lb-ft at (rpm) 1,200

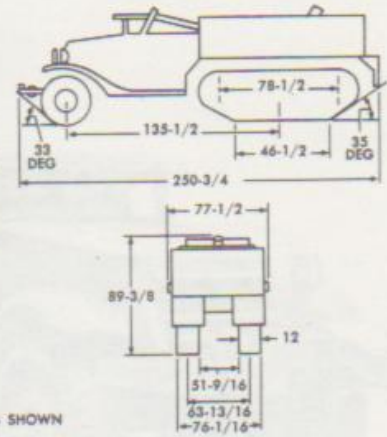
ADDITIONAL DATA

Data given for vehicle w/winch. For vehicle w/o winch and w/front roller, changes in data are as follows: Weight (lb): Net 14,800; Payload 5,700. Axle load (lb): Empty, front 5,106, rear (each track) 4,847; Loaded, front 7,073; rear (each track) 6,714. Over-all length (in.) 242 1/4. Shipping dimensions, uncrated: (cu ft) 1,306; (sq ft) 148. Angle of approach (deg) 37. Equipped w/controller for trailer electric brakes. Live axles, type: spiral-bevel, full-floating. Transmission, type: constant-mesh.

CARRIER, 81-MM MORTAR, HALF-TRACK, M4



RA PD 137727



NOTE: ALL DIMENSIONS SHOWN ARE IN INCHES

Technical Manuals: 9-710, 9-1710, 9-1710C, 9-1711, 9-1827B, 9-1827C, 9-1828A, 9-1829A; Supply Catalog: SNL G-102.

Classification: Limited Standard.

Armament: 1 gun, machine, cal. .50, Browning, M2, heavy barrel (flexible) and 1 gun, machine, cal. .30, Browning, M1919A4 (flexible) both skate mounted on gun ring running completely around inside of body. One mortar, 81-mm, M1, mounted on floor at rear of vehicle.

Purpose: To provide mobility for 81-mm mortar and protection for crew.

Ammunition: 96 rounds, 81-mm; 750 rounds, cal. .50; 540 rounds, cal. .45 for submachine gun; 2,000 rounds, cal. .30; 10 hand grenades; 14 mines, antitank, w/fuze.

Fire Control and Vision Devices: Sight, M4.

GENERAL DATA

Crew.....	8
Weight (lb).....	Net 14,430; Payload 3,420; Gross 17,850
Front-axle gear ratio.....	6.8:1
Rear-axle (jackshaft) gear ratio.....	4.44:1
Axle load (lb):	
Empty.....	front 5,339; rear (each track) 4,545
Loaded.....	front 5,630; rear (each track) 6,110
Tires (combat):	
Ply 12.....	Size 8.25 x 20; Pressure (psi) 35
Tread, center-to-center, front.....	(in.) 63 ¹ / ₄
Track ground pressure (loaded).....	(psi) 10.9
Shipping dimensions, uncrated.....	(cu ft) 1,005; (sq ft) 135
Vehicle dimensions:	
Ground clearances.....	(in.) 17 ¹ / ₄
Pintle height (loaded).....	(in.) 28
Electrical system.....	(volts) 12
No. of batteries.....	1
Type of ground.....	negative
Fuel octane rating.....	72
Capacities:	
Fuel.....	(gal) 60
Cooling system.....	(qt) 26
Crankcase, refill.....	(qt) 10 ¹ / ₂
Transmission and transfer.....	(qt) w/o PTO 7 ³ / ₄ ; w/PTO 9
Axles.....	(qt) front 3 ³ / ₄ ; rear 6
Winch:	
Load capacity.....	(lb) 10,000
Oil capacity.....	(qt) 2
Brakes: Manufacturer; Bendix.....	Type; hydrovac
Parking brake, type.....	transfer
Transmission for ward speeds.....	4
Gear ratio.....	High 1:1; Low 4.92:1
Transfer speeds.....	2
Gear ratio.....	High 1:1; Low 2.48:1

PERFORMANCE

Maximum grade ability.....	(percent) 60
Turning radius.....	(ft) 30
Fording depth.....	(in.) 32
Fuel consumption, loaded.....	(mpg) 3 ¹ / ₄
Cruising range, loaded.....	(mi) 210
Allowable speed, recommended.....	(mph) 45
Maximum recommended to wed load, gross, off highway.....	(lb) 4,500

ENGINE

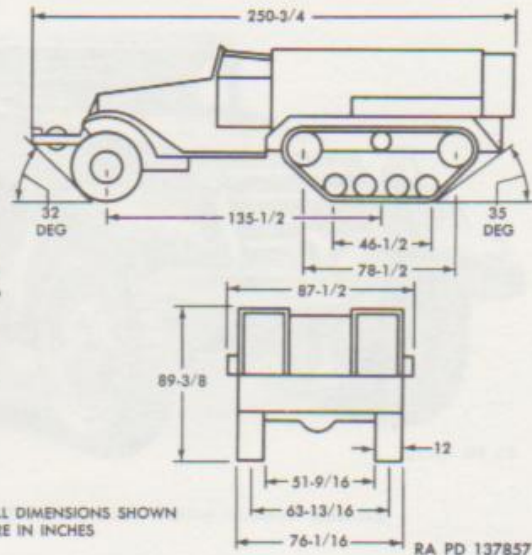
Manufacturer: White.....	Model 160AX
Type.....	L-head, 4-cycle; No. of cylinders (in line) 6
Displacement.....	(cu in.) 386
Bore.....	(in.) 4
Stroke.....	(in.) 5 ¹ / ₄
Compression ratio.....	6.44:1
Governed speed.....	not governed
Brake horsepower (max w/std accessories).....	127 at (rpm) 3,000
Torque (max).....	325 lb-ft at (rpm) 1,200

ADDITIONAL DATA

Data given for vehicle w/winch. Data changes for vehicle w/o winch and w/roller are as follows: Weight (lb): Net 14,000; Payload 3,850, Axle load (lb): Empty, front 4,329; rear (each track) 5,050; Loaded, front 5,200; rear (each track) 6,325. Over-all length (in.) 243³/₄. Shipping dimensions, (cu ft) 978; (sq ft) 132. Angle of approach (deg) 37.

Equipped w/controller for trailer electric brakes.
Live axles, type.....spiral-bevel, full-floating
Transmission, type.....constant-mesh

CARRIER, 81-MM MORTAR, HALF-TRACK, M4A1



NOTE: ALL DIMENSIONS SHOWN ARE IN INCHES

RA PD 137857

Technical Manuals: 9-710, 9-1710, 9-1710C, 9-1711, 9-1827B, 9-1827C, 9-1828A, 9-1829A; Supply Catalog: SNL G-102

Classification: Limited standard.

Armament: 1 mortar, 81-mm, mounted on floor at rear of vehicle; 1 gun, machine, cal. .30, Browning, M1919A4 (flexible) skate mounted on gun ring running completely around inside of body.

GENERAL DATA

Crew.....	8
Weight (lb).....	Net 15,750; Payload 4,300; Gross 20,140
Front-axle gear ratio.....	6.8:1
Rear-axle (jackshaft) gear ratio.....	4.44:1
Axle load (lb):	
Empty.....	front 5,830; rear (each track) 4,960
Loaded.....	front 7,460; rear (each track) 6,340
Tires (combat):	
Ply 12.....	Size 8.25 x 20; Pressure (psi) 55
Tread, center-to-center, front.....	(in.) 63 3/4
Track ground pressure (loaded).....	(psi) 11.4
Shipping dimensions, uncrated.....	(cu ft) 1,140; (sq ft) 153
Vehicle dimensions:	
Ground clearance.....	(in.) 17 1/4
Pintle height (loaded).....	(in.) 28
Electrical system.....	(volts) 12
No. of batteries.....	1
Type of ground.....	negative
Fuel octane rating.....	72
Capacities:	
Fuel.....	(gal) 60
Cooling system.....	(qt) 26
Crankcase, refill.....	(qt) 10 1/4
Transmission and transfer (qt).....	w/o PTO 7 1/4; w/PTO 9
Axles (qt).....	front 3 1/4; rear 6
Winch:	
Load capacity.....	(lb) 10,000
Oil capacity.....	(qt) 2
Brakes: Manufacturer; Bendix.....	Type; hydrovac
Parking brake, type.....	transfer
Transmission for ward speeds.....	4
Gear ratio.....	High 1:1; Low 4.92:1
Transfer speeds.....	2
Gear ratio.....	High 1:1; Low 2.48:1

Purpose: To provide mobility for 81-mm mortar, and protection for crew.

Ammunition: 96 rounds, 81-mm, 2,000 rounds, cal. .30; 540 rounds cal. .45, for submachine gun; 10 hand grenades; 14 mines, antitank w/fuze.

Fire Control and Vision Devices: Sight, M6.

PERFORMANCE

Maximum grade ability.....	(percent) 60
Turning radius.....	(ft) 30
Fording depth.....	(in.) 32
Fuel consumption, loaded.....	(mpg) 3 1/4
Cruising range, loaded.....	(mi) 210
Allowable speed, recommended.....	(mph) 45
Maximum recommended towed load, gross, off highway.....	(lb) 4,500

ENGINE

Manufacturer: White.....	Model 160AX
Type.....	L-head, 4-cycle; No. of cylinders (in line) 6
Displacement.....	(cu in.) 386
Bore.....	(in.) 4
Stroke.....	(in.) 5 1/4
Compression ratio.....	6.44:1
Governed speed.....	not governed
Brake horsepower (max w/std accessories).....	137 at (rpm) 3,000
Torque (max).....	325 lb-ft at (rpm) 1,200

ADDITIONAL DATA

Data given for vehicle w/winch. Data changes for vehicles w/o winch and w/roller are as follows: Weight (lb): Net 15,320; Payload 4,820. Axle load (lb): Empty, front 4,596, rear (each track) 5,362; Loaded, front 6,150, rear (each track) 6,995. Over-all length (in.) 243 3/4. Shipping dimensions (cu ft) 1,103, (sq ft) 148. Angle of approach (deg) 37.

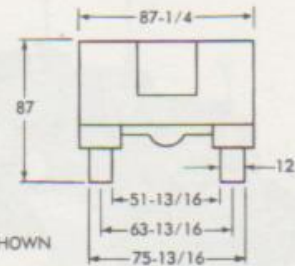
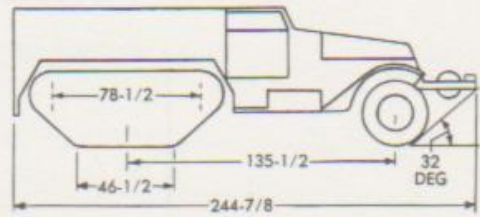
Equipped w/controller for trailer electric brakes.

Live axles, type.....spiral-bevel, full-floating
Transmission, type.....constant-mesh

CARRIER, 81-MM MORTAR, HALF-TRACK, M2



RA PD 172785



NOTE: ALL DIMENSIONS SHOWN ARE IN INCHES

Technical Manuals: 9-710, 9-1710, 9-1710C, 9-1711, 9-1827B, 9-1827C, 9-1828A, 9-1829A; Supply Catalog: SNL G-102

Classification: Standard.

Armament: 1 mortar, 81-mm, M1, mounted on floor at center of body (forward firing only); 1 gun, machine, cal. .50, Browning, M2, heavy barrel (flexible), pedestal mounted at rear of body.

GENERAL DATA

Crew	6
Weight (lb)	Net 15,500; Payload 4,500; Gross 20,000
Front-axle gear ratio	6.8:1
Rear-axle (jackshaft) gear ratio	4.44:1
Axle load (lb):	
Empty	front 5,735; rear (each track) 4,583
Loaded	front 6,900; rear (each track) 6,550
Tires (combat):	
Ply 12	Size 8.25 x 20; Pressure (psi) 55
Tread, center-to-center, front	(in.) 63 ³ / ₁₆
Track ground pressure (loaded)	(psi) 11.7
Shipping dimensions, uncrated	(cu ft) 1,100; (sq ft) 152
Vehicle dimensions:	
Ground clearance	(in.) 17 ¹ / ₄
Pintle height (loaded)	(in.) 28
Electrical system	(volts) 12
No. of batteries	1
Type of ground	negative
Fuel octane rating	72
Capacities:	
Fuel	(gal) 60
Cooling system	(qt) 26
Crankcase, refill	(qt) 10 ¹ / ₄
Transfer and transmission	(qt) 9
Axles (qt)	front 3 ¹ / ₄ ; rear 6
Winch:	
Load capacity	(lb) 10,000
Oil capacity	(qt) 2
Brakes:	
Manufacturer; Bendix	Type; hydrovac
Parking brake, type	transfer
Transmission for ward speeds	4
Gear ratio	High 1:1; Low 4.92:1
Transfer speeds	2
Gear ratio	High 1:1; Low 2.48:1

Purpose: To provide a self-propelled mount for 81-mm mortar.

Ammunition: 97 rounds, 81-mm; 400 rounds, cal. .50; 600 rounds, cal. .45, for submachine gun; 12 hand grenades; 12 mines, antitank w/fuze.

Fire-Control and Vision Devices: Sight, M6.

Communications: (SCR-510) and (SCR-509); or (AN/VRC-8, -9, or -10).

PERFORMANCE

Computed grade ability in lowest gear, loaded	(percent) 60
Turning radius	(ft) 30
Fording depth	(in.) 32
Fuel consumption, loaded	(mpg) 3 ¹ / ₄
Cruising range, loaded	(mi) 210
Allowable speed, recommended	(mph) 45
Maximum recommended towed load, gross, off highway	(lb) 4,500

ENGINE

Manufacturer: White	Model 160AX
Type	L-head, 4-cycle; No. of cylinders (in line) 6
Displacement	(cu in.) 386
Bore	(in.) 4
Stroke	(in.) 5 ¹ / ₄
Compression ratio	6.44:1
Governed speed	not governed
Brake horsepower (max w/std accessories)	127 at (rpm) 3,000
Torque (max)	325 lb-ft at (rpm) 1,200

ADDITIONAL DATA

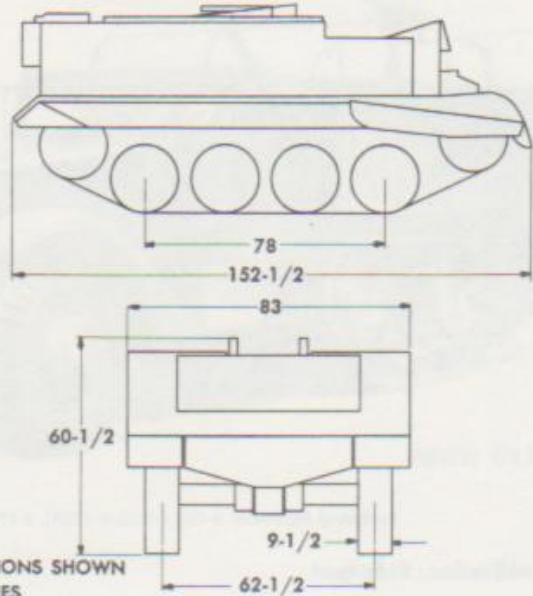
Equipped w/controller for trailer electric brakes.	
Live axles, type	spiral-bevel, full floating
Transmission, type	constant-mesh

CARRIER, UNIVERSAL, T16

(Universal Bren Carrier)



RA PD 137747



NOTE: ALL DIMENSIONS SHOWN
ARE IN INCHES

Technical Manuals: 9-746, 9-1746A, 9-1746B, 9-1825B, 9-1828A, 9-1829A; Supply Catalog: SNL G-166.

Classification: Nonclassified.

Purpose: To transport personnel or cargo and provide crew protection.

GENERAL DATA

Crew.....	4
Weight (lb).....	Net 7,756; Crew and equipment 1,684; Gross 9,440
Shipping dimensions, uncrated.....	(cu ft) 445; (sq ft) 88
Ground pressure.....	(psi) 6.4
Ground clearance.....	(in.) 11 3/4
Electrical system.....	(volts) 12
No. of batteries.....	(12-volt) 1
Type of ground.....	negative
Fuel octane rating.....	70
Capacities:	
Fuel.....	(gal) 24
Cooling system.....	(qt) 24 1/2
Crankcase, refill (including cooler).....	(qt) 6
Transmission.....	(qt) 2 1/2
Differential (including oil reservoir and cooler).....	(qt) 7
Brakes:	
Mechanical differential steering brakes, hand-lever controlled. Also mechanical sprocket-hub brakes, both pedal and hand-lever controlled.	
Parking brake, type..... lever for locking sprocket-hub brakes	
Transmission forward speeds.....	4
Gear ratio.....	High 1:1; Third 1.69:1; Low 6.4:1
Differential-drive gear ratio.....	5.83:1
Hull construction.....	watertight welded

PERFORMANCE

Maximum grade ability.....	(percent) 60
Turning radius.....	(ft) 17
Fording depth.....	(in.) 36
Maximum width of ditch vehicle can cross.....	(in.) 36
Maximum vertical obstacle vehicle can climb.....	(in.) 24
Fuel consumption (average conditions).....	(mpg) 5
Cruising range (average conditions).....	(mi) 120
Allowable speed, governed.....	(mph) 33

ENGINE

Manufacturer: Ford.....	Model 29W
Type.....	4-cycle, L-head; No. of cylinders (90-deg V) 8
Displacement.....	(cu in.) 239
Bore.....	(in.) 3 1/4
Stroke.....	(in.) 3 3/4
Compression ratio.....	6.4:1
Governed speed.....	(rpm) 3,800
Brake horsepower (max w/std accessories).....	100 at (rpm) 3,800
Torque (max w/std accessories).....	176 lb-ft at (rpm) 2,000
Type of ignition.....	distributor

ADDITIONAL DATA

Differences among models: The universal carrier T16 is equipped with four bogie wheels on each side, while the previous Canadian carriers were equipped with three bogie wheels on each side.

Right-hand drive.
Transmission, type..... selective sliding-gear

CRANE, TRUCK MOUNTED, M2

(Thev Shovel, Model MC 6 x 6)

Used w/TRAILER, 3-Ton, 2-Wheel, Clamshell, M16



RA PD 137736

Technical Manuals: 9-771, 9-1825A, 9-1826C, 9-1827A, 9-1828A, 9-1829A; Supply Catalog: SNL G-172.

Classification: Standard.

Purpose: To provide mobility for crane equipment.

GENERAL DATA

Crew	2
Weight (lb)	Gross 53,500
Axle gear ratio	8.43:1
Axle load (lb): Loaded	front 8800; rear (each) 22,350
Tires:	
Ply 14	Size 12.00 x 20; Pressure (psi) 85
Tread, center-to-center, front	(in.) 75
Shipping dimensions, uncrated	(cu ft) 3,382; (sq ft) 311
Vehicle dimensions:	
Ground clearance	(in.) 11
Pintle height, loaded	(in.) 33
Electrical system	(volts) 12
No. of batteries	(6-volt) 2
Fuel octane rating	70
Capacities:	
Fuel	(gal) 100
Cooling system	(qt) 64
Crankcase, refill	(qt) 16
Transfer	(qt) 4
Transmission	(qt) 11
Axles (each)	(qt) 10
Brakes:	
Manufacturer; Bendix-Westinghouse	Type, air
Parking brake, type	transfer
Transmission forward speeds	4
Gear ratio	High 1:1; Low 6.54:1
Transfer speeds	2
Gear ratio	High 1:1; Low 2.55:1

PERFORMANCE

Computed grade ability in lowest gear, loaded	(percent) 60
Turning radius (ft)	right 48; left 47½
Fording depth	(in.) 30
Fuel consumption, loaded	(mpg) 2
Cruising range, loaded	(mi) 200
Allowable speed, governed	(mph) 30
Maximum recommended towed load, gross	(lb) 24,000

ENGINE

Manufacturer: Hercules	Model HXC
Type	L-head, 4-cycle; No. of cylinders (in line) 6
Displacement	(cu in.) 779
Bore	(in.) 5¼
Stroke	(in.) 6
Compression ratio	5.69:1
Governed speed	(rpm) 2,100
Brake horsepower (max w/std accessories)	179 at (rpm) 2,100
Torque (max w/std accessories)	555 lb-ft at (rpm) 900

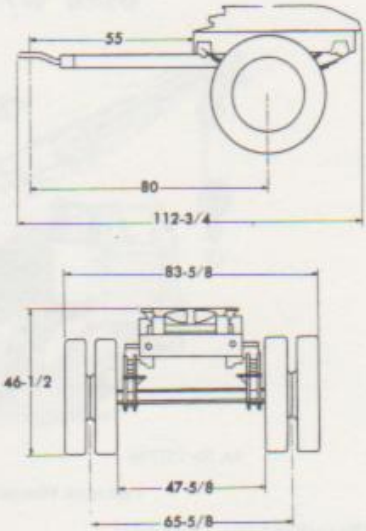
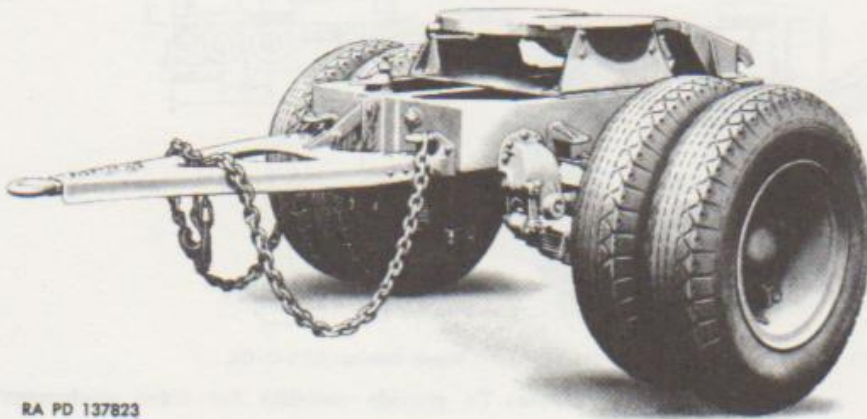
ADDITIONAL DATA

Turntable engine:		
Manufacturer: Waukesha	Model MZR	
Type	4-cycle, L-head; No. of cylinders (in line) 6	
Displacement	(cu in.) 404; Bore 4¼; Stroke 4¼	
Governed speed	(rpm) 1,375	
Brake horsepower (max w/std accessories)	70 at (rpm) 1,375	
Torque (max w/std accessories)	270 lb-ft at (rpm) 1,375	
Capacities:		
Fuel tank	(gal) 50	
Cooling system	(qt) 32	
Crankcase	(qt) 11	
Electrical system	(volts) 6	
No. of batteries	1	
Turntable assembly:		
Counterweight over-all width	(in.) 94	
Cab width	(in.) 91	
Tail swing (center of rotation to rear of counterweight)	(in.) 107	
Boom foot pin to ground	(in.) 70½	
Boom foot pin to center of rotation	(in.) 27	
Swing speed	(rpm) 4.19	
Hoist speed (rope speed)	(fpm) 149.8	
Boom hoisting time, from horizontal to 10-ft radius	(sec) 45	
Lifting capacity:		
	Outriggers extended	Outriggers retracted
Boom radius		
11 ft	40,000 lb	21,550 lb
12 ft	36,080 lb	19,350 lb
15 ft	29,050 lb	14,350 lb
18 ft	24,000 lb	11,350 lb
20 ft	21,500 lb	9,950 lb

For trailer data, see page 130.

DOLLY, TRAILER CONVERTER, LIGHT DUTY, 3-TON 2-WHEEL, M363 (Fruehauf, Model DC3)

NOTE: ALL DIMENSIONS SHOWN
ARE IN INCHES



RA PD 137823

Supply Catalog: SNL G-708.

Classification: Standard.

Purpose: To convert semitrailers up to 15,000 lb gross weight to full trailers.

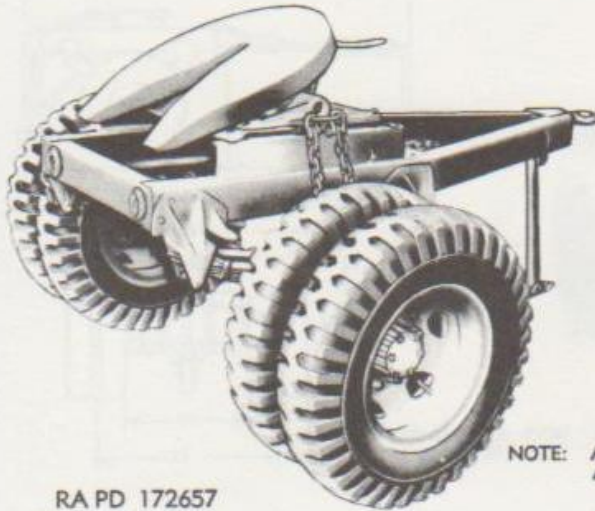
GENERAL DATA

Weight (lb).....	Net 1,765; Payload 7,000; Gross 8,765
Weight distribution (lb):	
Empty.....	axle 1,715; lunette 50
Loaded.....	axle 8,715; lunette 50
Tires.....	Ply 8; Size 7.50 x 20; Pressure (psi) 55
Shipping dimensions, uncrated.....	(cu ft) 251; (sq ft) 65
Vehicle dimensions:	
Ground clearance.....	(in.) 13 ³ / ₄
Center of fifth wheel to center of axle.....	(in.) 2
Height to center of fifth wheel.....	(in.) 46 ¹ / ₂
Fifth wheel.....	Size (in.) 33; Type: rigid semi-automatic
Brakes, service.....	none
Parking brake.....	none
Towing vehicle to be used.....	truck, 1 ¹ / ₂ -ton, 4 x 2

ADDITIONAL DATA

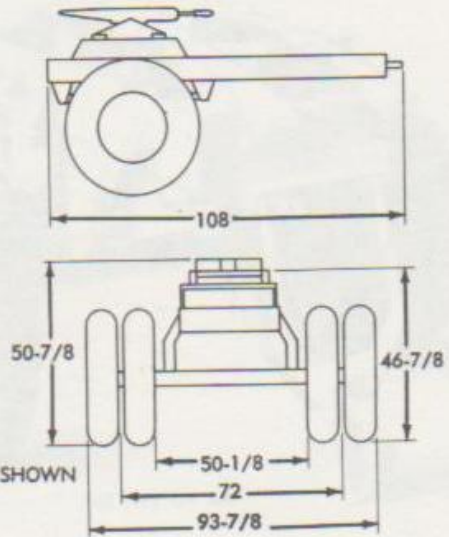
DOLLY, TRAILER CONVERTER, 6-TON, 2-WHEEL, M364

(Heil, Model D2)



RA PD 172657

NOTE: ALL DIMENSIONS SHOWN ARE IN INCHES



Technical Manual: 9-846; Supply Catalog: SNL G-745.

Classification: Standard.

Purpose: To convert semitrailer to full trailer.

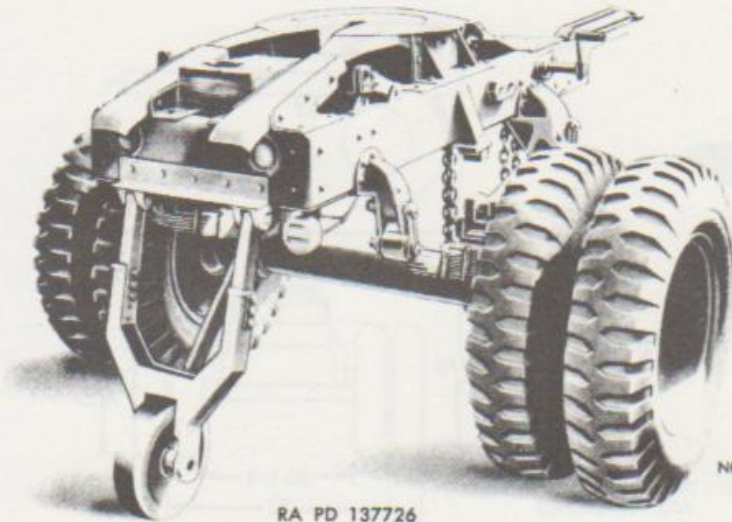
GENERAL DATA

Weight (lb).....Net 2,000; Payload 9,000; Gross 11,000
 Tires.....Ply 10; Size 9 x 30; Pressure (psi) 65
 Shipping dimensions, uncrated.....(cu ft) 300; (sq ft) 71
 Vehicle dimensions:
 Ground clearance.....(in.) 16 3/4
 Fifth wheel.....Size (in.) 30; Type: semiautomatic
 Brakes.....none
 Minimum towing vehicle to be used.....Truck, 2 1/4-ton, 4 x 2

ADDITIONAL DATA

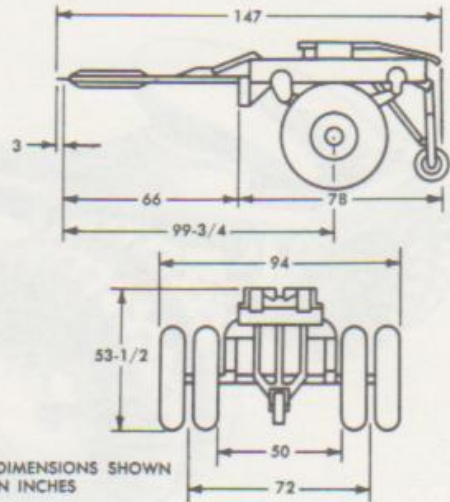
DOLLY, TRAILER CONVERTER, 8-TON, 2-WHEEL

(Fruehauf; Signal Corps Models K83 and K83A)



RA PD 137726

Technical Manual: 9-846; Supply Catalog: SNL G-695.



NOTE: ALL DIMENSIONS SHOWN ARE IN INCHES

Classification: Standard.

Purpose: To convert Signal Corps semitrailers, Models K78A and K78B to full trailers.

GENERAL DATA

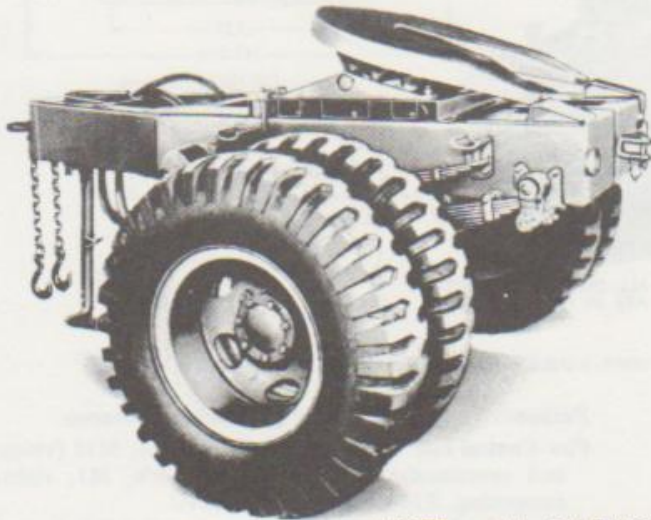
Weight (lb).....Net 3,000; Payload 15,000; Gross 18,000
 Fifth wheel.....Size (in.) 30; Type, rigid, semiautomatic
 Tires.....Ply 10; Size 9.00 x 20; Pressure (psi) 65
 Shipping dimensions, uncrated (drawbar removed)....(cu ft) 209; (sq ft) 52
 Ground clearance.....(in.) 15⁵/₁₆
 Brakes.....none
 Towing vehicle to be used.....truck, 2¹/₄-ton, 4 x 2

ADDITIONAL DATA

Hinged drawbar—optional hinge height, 40 or 32 inches. Lock provides rigid drawbar for transporting dolly with vehicle having 18-, 29-, or 4-inch pintle height. Equipped with taillights for protection when towed. Overall length given with drawbar in horizontal position, and landing gear down.

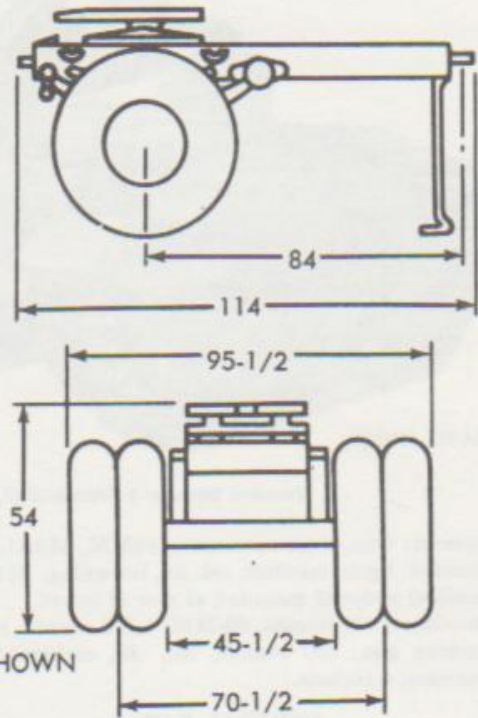
DOLLY, TRAILER CONVERTER, 10-TON, 2-WHEEL, M365

(Springfield Auto Works, Production Engineering)



RA PD 172691

NOTE: ALL DIMENSIONS SHOWN ARE IN INCHES



Technical Manuals: 9-892, 9-846; Supply Catalog: SNL G-676.

Classification: Standard.

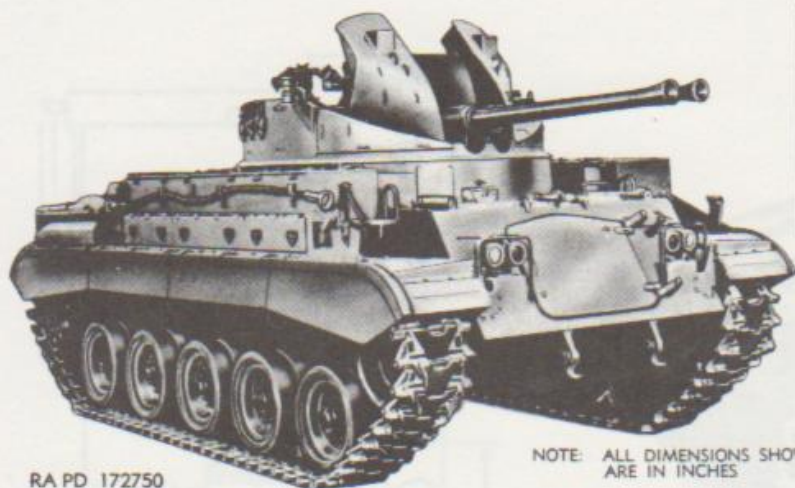
Purpose: To convert semitrailer, cargo, 10-ton, to full trailer.

GENERAL DATA

Weight (lb).....Net 3,380; Payload 12,520; Gross 15,900
 Fifth wheel.....Size (in.) 30; Type, Semiautomatic
 Tires.....Ply 14; Size 11.00 x 20; Pressure (psi) 80
 Shipping dimensions, uncrated.....(cu ft) 340; (sq ft) 76
 Ground clearance.....(in.) 16
 Brakes.....none
 Towing vehicle to be used.....truck, 4- to 5-ton, 4 x 4

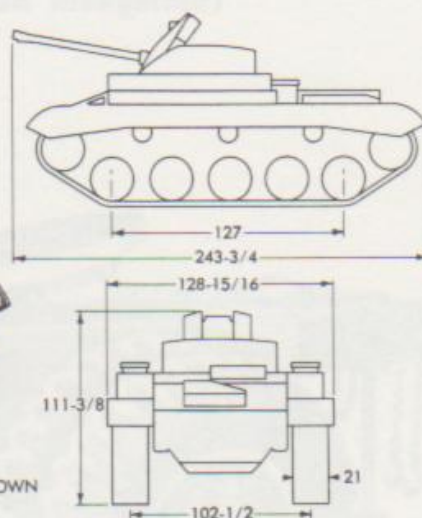
ADDITIONAL DATA

GUN, TWIN 40-MM, SELF-PROPELLED, T141



RA PD 172750

NOTE: ALL DIMENSIONS SHOWN ARE IN INCHES



Technical Manuals: 9-1730B, 9-1730F, 9-1825C, 9-1826B, 9-1828A, 9-1829A; Supply Catalog: SNL G-253.

Armament: Gun, dual automatic, 40MM, M2A1, turret mounted; 1 gun, machine, cal. .30, Browning, M1919A4 (flexible) pedestal mounted at rear of turret.

Ammunition: 480 rounds, 40-MM; 1,750 rounds, cal. .30, machine gun; 360 rounds, cal. .30, carbine; 8 hand grenades; 4 rockets.

Purpose: To provide a mobile antiaircraft weapon.

Fire-Control and Vision Devices: Periscope, M13 (vision and commander's); quadrant, gunner's, M1; sight, computing, T154; sight, reflex, M24C.

Communications: (AN/VRC-6 and AN/GRR-5 and AN/UIC-1).

GENERAL DATA

Crew.....	6
Weight, fighting.....	(lb) 43,000
Shipping dimensions.....	(cu ft) 1,900; (sq ft) 205
Ground pressure.....	(psi) 8
Ground clearance.....	(in.) 17 1/4
Pintle height, loaded.....	(in.) 30 1/4
Electrical system.....	(volts) 24
No. of batteries.....	4
Type of ground.....	negative
Fuel octane rating.....	.80
Capacities:	
Fuel.....	(gal) 140
Crankcase, refill.....	(qt) 44
Transmission.....	(qt) 32
Brakes:	
Hand-lever controlled, hydraulic, multiple-disk steering brakes.	
Pedal operates them as service brakes.	
Parking brake, type.....	Lever for locking service brakes
No. of ranges (high, low, and reverse).....	3
Ratio from engine output shaft to torque-converter input shaft.....	0.769:1
Torque-converter stall ratio.....	4:1
Ratio from torque-converter output shaft to final-drive flange:	
High range 1.4:1; Low range 5.34:1	
Final-drive gear ratio.....	4.25:1
Turret ring inside diameter.....	(in.) 31

PERFORMANCE

Maximum grade ability.....	(percent) 60
Turning radius (ft).....	pivots in place
Fording depth.....	(in.) 48
Maximum width of ditch vehicle can cross.....	(in.) 72
Maximum vertical obstacle vehicle can climb.....	(in.) 28
Fuel consumption (average conditions).....	(mpg) 0.7
Cruising range (average conditions).....	(mi) 100
Maximum speed.....	(mph) 45
Maximum allowable to towed load, gross.....	(lb) 5,000

ENGINE

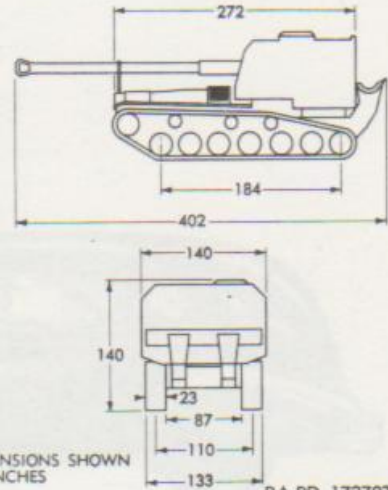
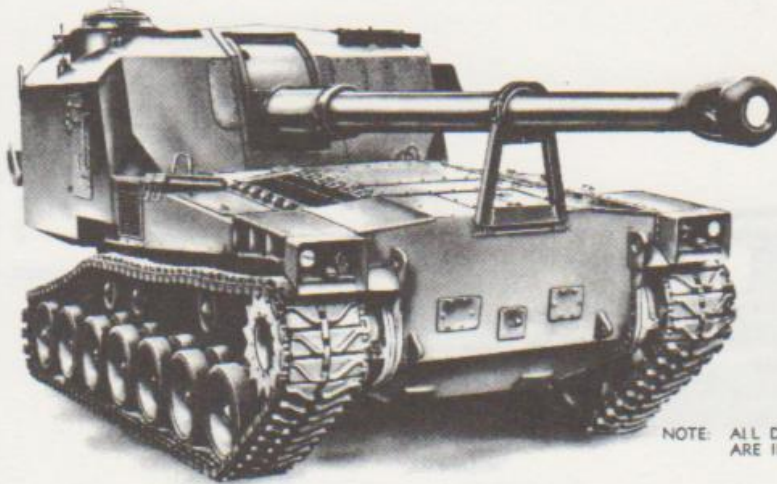
Manufacturer: Continental.....	Model AOS-895-3
Type.....	4-cycle, valve-in-head, air-cooled
No. of cylinders.....	(horizontal opposed) 6
Displacement.....	(cu in.) 895
Bore.....	(in.) 5 3/4
Stroke.....	(in.) 5 3/4
Compression ratio.....	5.5:1
Governed speed.....	(rpm) 2,800
Brake horsepower (max w/std accessories).....	446 at (rpm) 2,400
Torque (max w/std accessories).....	890 lb-ft at (rpm) 2,300
Type of ignition.....	magneto

ADDITIONAL DATA

Equipped with manual and power traversing and elevating mechanism. Data given for vehicle equipped with track, rubber-backed-steel, T91E3 w/detachable rubber grousers.

Auxiliary generator set: Engine, GMC model A41-1; generator, Delco, model GM-A-8585.

GUN, 155-MM, SELF-PROPELLED, T97



NOTE: ALL DIMENSIONS SHOWN ARE IN INCHES

RA PD 172707

Technical Manuals: 9-1718F, 9-1730F, 9-1825C, 9-1825E, 9-1826B, 9-1828A, 9-1829A; Supply Catalog: SNL G-259.

Armament: 1 gun, 155-mm, T8D; 1 gun, machine, cal. .50, Browning, M2, heavy barrel (flexible) mounted on top of turret.

Ammunition: 20 rounds, 155-mm; 945 rounds, cal. .50; 180 rounds, cal. .45 submachine gun; 1,050 rounds, cal. .30 carbine; 8 hand grenades.

Purpose: To provide mobility for 155-mm gun, and crew protection in offensive combat.

Fire-Control and Vision Devices: Periscope, M17 (vision); periscope, M15 (commander's); telescope, T159 (sight); telescope, panoramic, T149 (sight).

Communications: (SCR-619 or AN/PRC-9) and (RC-99).

GENERAL DATA

Crew.....	6
Weight, fighting.....	(lb) 90,000
Shipping dimensions, uncrated.....	(cu ft) 4,550; (sq ft) 390
Ground pressure.....	(psi) 10.6
Ground clearance.....	(in.) 18½
Pintle height, loaded.....	(in.) 25
Electrical system.....	(volts) 24
No. of batteries.....	(12-volt) 4
Type of ground.....	negative
Fuel octane rating.....	80
Capacities:	
Fuel.....	(gal) 350
Crankcase, refill.....	(qt) 104
Transmission, cross-drive (including cooler).....	(qt) 96
Final drive.....	(each) (qt) 5
Brakes:	
Hand-lever controlled, hydraulic, multiple-disk steering brakes. Pedal operates them as service brakes.	
Parking brake, type.....	Lever for locking service brakes
Ratio from engine output shaft to torque converter input shaft.....	1.162:1
Ratio from torque converter output shaft to final drive flange.....	High range 1.4:1; Low range 4.93:1
No. of ranges (High, low and reverse).....	3
Torque converter stall ratio.....	4:1
Final-drive gear ratio.....	5.0769:1
Hull construction.....	Welded homogeneous armor plates and castings
Turret-ring inside diameter.....	(in.) 67½

PERFORMANCE

Maximum grade ability.....	(percent) 60
Turning radius (ft).....	Pivots in place
Fording depth.....	(in.) 48
Maximum width of ditch vehicle can cross.....	(in.) 96
Maximum vertical obstacle vehicle can climb.....	(in.) 48
Fuel consumption (average conditions).....	(mpg) 0.4
Cruising range (average conditions).....	(mi) 150
Allowable speed, recommended.....	(mph) 35
Maximum allowable towed load, gross.....	(lb) 5,000

ENGINE

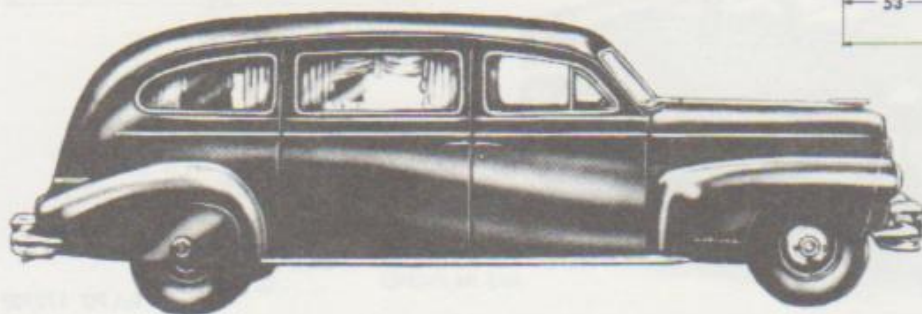
Manufacturer: Continental.....	Model AV-1790-5B
Type:	
4-cycle, valve-in-head, air-cooled No. of cylinders.....	(90-deg V) 12
Displacement.....	(cu in.) 1,790
Bore.....	(in.) 594
Stroke.....	(in.) 594
Compression ratio.....	6.5:1
Governed speed.....	(rpm) 2,950
Brake horsepower (max w/std accessories).....	810 at (rpm) 2,800
Torque (max w/std accessories).....	1,560 lb-ft at (rpm) 2,400
Type of ignition.....	magneto

ADDITIONAL DATA

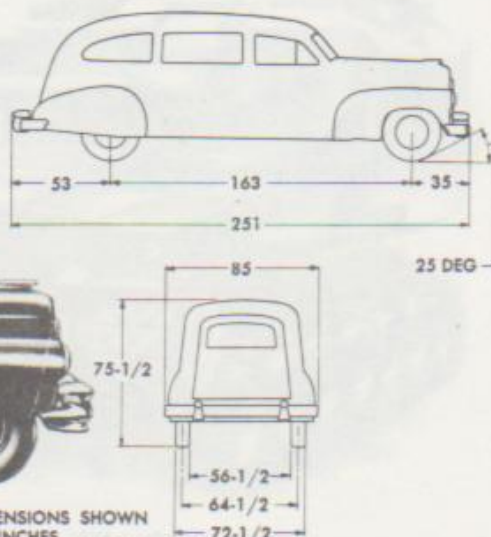
Auxiliary generator set: Engine, GMC model A41-1; Generator, Delco, Model GM-A-8585.
Data given for vehicle equipped with track, steel, T80E6.
Track, rubber T84E1 is interchangeable.

HEARSE, 3/4-TON, 4 x 2

(Watson Automotive; Cadillac Model 4876 w/Superior Hearse Body, 1948)



RA PD 137742



NOTE: ALL DIMENSIONS SHOWN ARE IN INCHES

Classification: Standard.

Purpose: To transport deceased personnel.

GENERAL DATA

Crew	2
Weight (lb)	Net 5,750; Pay load 1,500; Gross 7,250
Rear-axle gear ratio	Standard 4.27:1; Hydramatic 3.77:1
Axle load (lb):	
Empty	front 2,775; rear 2,975
Loaded	front 3,425; rear 3,825
Tires:	
Ply 6	Size 7.50 x 16; Pressure (psi) front 34; rear 36
Tread, center-to-center, front	(in.) 56 1/4
Shipping dimensions, uncrated	(cu ft) 933; (sq ft) 149
Ground clearance	(in.) 9
Electrical system	(volts) 6
No. of batteries	1
Type of ground	negative
Fuel octane rating	80
Capacities:	
Fuel	(gal) 24
Cooling system (qt)	w/o heater 25; w/heater 26
Crankcase, refill	(qt) 7
Transmission	(qt) 13 1/4
Axle	(qt) 2 1/4
Brakes:	
Manufacturer; Bendix	Type; hydraulic
Parking brake, type	rear-wheel
Transmission for ward speeds	Standard 3; Hydramatic 4
Gear ratio:	
Standard	High 1:1; Low 2.39:1
Hydramatic	High 1:1; Low 3.819:1

PERFORMANCE

Computed grade ability in lowest gear, loaded	(percent) 25
Turning radius	(ft) 28 1/4
Fording depth	(in.) 9
Fuel consumption, loaded	(mpg) 8
Cruising range, loaded	(mi) 192
Allowable speed, recommended	(mph) 70

ENGINE

Manufacturer; Cadillac	Model 1948
Type	L-head, 4-cycle; No. of cylinders (90-deg V) 8
Displacement	(cu in.) 346
Bore	(in.) 3 1/4
Stroke	(in.) 4 1/4
Compression ratio	7.25:1
Governed speed	not governed
Brake horsepower (max w/std accessories)	130 at (rpm) 3,200
Torque (max)	272 lb-ft at (rpm) 1,800

ADDITIONAL DATA

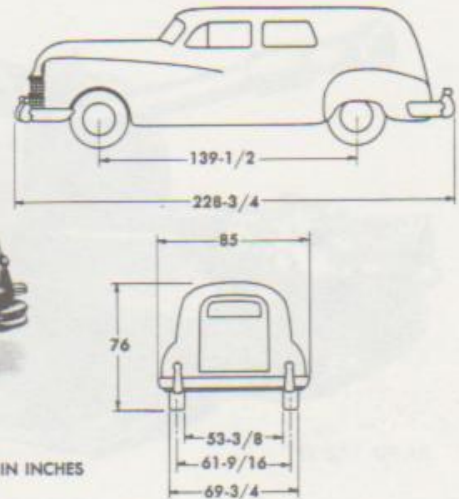
HEARSE, 3/4-TON, 4 x 2

(Watson Automotive, Chrysler Model C38 w/Superior Body, 1948-49)



RA PD 137752

NOTE: ALL DIMENSIONS SHOWN ARE IN INCHES



Classification: Nonclassified.

Purpose: To transport deceased personnel.

GENERAL DATA

Crew.....	1
Weight (lb).....	Net 4,330; Payload 1,000; Gross 5,330
Rear-axle gear ratio.....	3.73
Axle load (lb):	
Empty.....	front 2,205; rear 2,125
Loaded.....	front 2,605; rear 2,725
Tires:	
Ply 4.....	Size 7.60 x 15; Pressure (psi) 24
Tread, center-to-center, front.....	(in.) 57 1/4
Shipping dimensions, uncrated.....	(cu ft) 855; (sq ft) 135
Ground clearance.....	(in.) 9 3/4
Electrical system.....	(volts) 6
No. of batteries.....	1
Type of ground.....	positive
Fuel octane rating.....	75
Capacities:	
Fuel.....	(gal) 20
Cooling system (qt).....	w/o heater 17; w/heater 18
Crankcase, refill.....	(qt) 5
Transmission.....	(qt) 1 1/4
Rear axle.....	(qt) 1 3/4
Brakes:	
Manufacturer; Chrysler.....	Type; hydraulic
Parking brake, type.....	transmission
Transmission forward speeds.....	4
Gear ratio.....	High 1:1; Low 3.57:1

PERFORMANCE

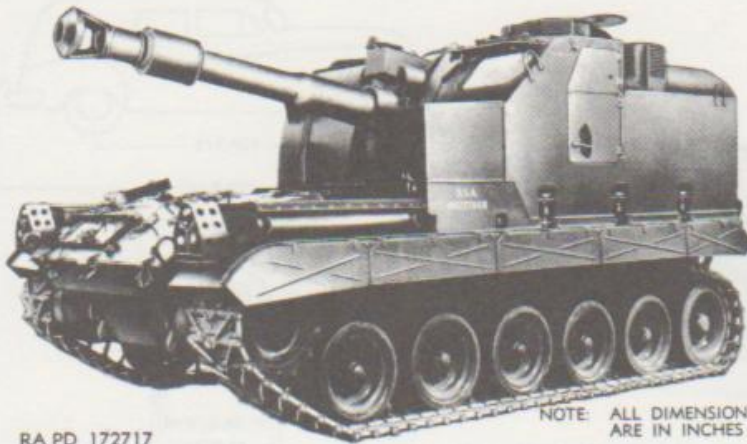
Computed grade ability in lowest gear, loaded.....	(percent) 31
Turning radius.....	(ft) 23
Fuel consumption, loaded.....	(mpg) 13
Cruising range, loaded.....	(mi) 200
Allowable speed, recommended.....	(mph) 70

ENGINE

Manufacturer; Chrysler.....	Model C38
Type.....	L-head, 4-cycle; No. of cylinders (in line) 6
Displacement.....	(cu in.) 280.6
Bore.....	(in.) 3 3/4
Stroke.....	(in.) 4 1/4
Compression ratio.....	6.6:1
Governed speed.....	not governed
Brake horsepower (max w/std accessories).....	114 at (rpm) 3,600
Torque (max).....	204 lb-ft at (rpm) 1,300

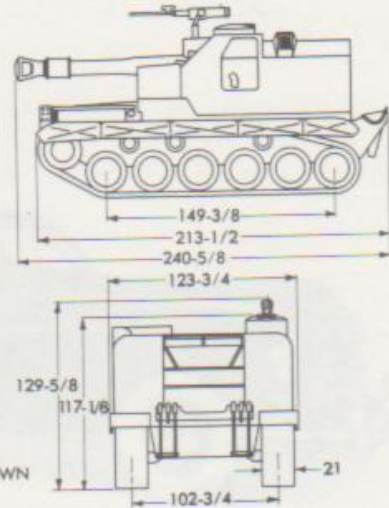
ADDITIONAL DATA

HOWITZER, 155-MM, SELF-PROPELLED, T99E1



RA PD 172717

NOTE: ALL DIMENSIONS SHOWN ARE IN INCHES



Technical Manuals: 9-1730B, 9-1730F, 9-1825C, 9-1825E, 9-1826B, 9-1828A; Supply Catalog: SNL G-267.

Armament: 1 Howitzer, 155-mm, T97E1, turret mounted; 1 gun, machine, cal. .50, Browning, M2, heavy barrel (flexible) pedestal mounted on top of turret.

Ammunition: 30 rounds, 155-mm; 945 rounds, cal. .50; 180 rounds, cal. .45 for sub-machine-gun; 840 rounds, cal. .30 carbine; 8 hand grenades.

Purpose: To provide high mobility for 155-mm howitzer to give close support to rapidly moving armored or infantry columns.

Fire-Control and Vision Devices: Periscope, M17 (vision); periscope, M15A1 (commander's); telescope, T153 (sight); telescope, panoramic, T149E1 (sight).

Communications: (SCR-610 or SCR-619) and (AN/VIA-1).

GENERAL DATA

Crew.....	5
Weight, fighting.....	(lb) 60,000
Shipping dimensions, uncrated.....	(cu ft) 2,130; (sq ft) 219
Ground pressure.....	(psi) 9.5
Ground clearance.....	(in.) 18 3/4
Pintle height, loaded.....	(in.) 23 1/4
Electrical system.....	(volts) 24
No. of batteries.....	4
Type of ground.....	negative
Fuel octane rating.....	80
Capacities:	
Fuel.....	(gal) 152
Crankcase, refill.....	(qt) 44
Auxiliary-engine crankcase.....	(qt) 3 1/4
Transmission, cross-drive (including cooler).....	(qt) 72
Final drive.....	(each) (qt) 5
Brakes:	
Hand-lever-controlled, hydraulic, multiple-disk steering brakes.	
Pedal operates them as service brakes.	
Parking brake, type.....	Lever for locking service brakes
Ratio from torque converter output shaft to final drive flange:	
High range 1.41:1; Low range 5.34:1	
No. of ranges (high, low, and reverse).....	3
Ratio from engine output shaft to torque converter input shaft.....	0.769:1
Torque-converter stall ratio.....	3.8:1
Final-drive gear ratio.....	4.25:1
Hull construction.....	welded homogeneous armor plate

PERFORMANCE

Maximum grade ability.....	(percent) 60
Turning radius (ft).....	pivots in place
Fording depth.....	(in.) 48
Maximum width of ditch vehicle can cross.....	(in.) 72
Maximum vertical obstacle vehicle can climb.....	(in.) 30
Fuel consumption (average conditions).....	(mpg) 0.5
Cruising range (average conditions).....	(mi) 80
Maximum speed.....	(mph) 35
Maximum allowable towed load, gross.....	(lb) 5,000

ENGINE

Manufacturer: Continental.....	Model AOS-895-3
Type.....	4-cycle, valve-in-head, air cooled
No. of cylinders.....	(opposed) 6
Displacement.....	(cu in.) 895
Bore.....	(in.) 5 3/4
Stroke.....	(in.) 5 3/4
Compression ratio.....	5.5:1
Governed speed.....	(rpm) 2,800
Brake horsepower (max w/std accessories).....	440 at (rpm) 2,800
Torque (max w/std accessories).....	900 lb-ft at (rpm) 2,100
Type of ignition.....	magneto

ADDITIONAL DATA

Data given for vehicle equipped with track, rubber-backed-steel, T91E3 w/detachable rubber grousers.

Auxiliary generator set: Engine, GMC Model A41-1; generator, Delco Model GM-A-8585.

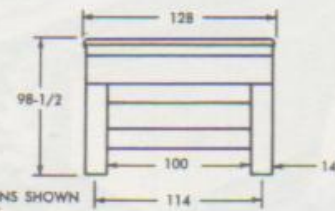
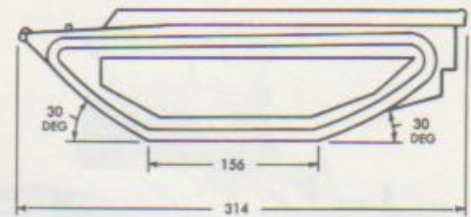
Manual and power turret-traversing mechanism.

Howitzer equipped with bore evacuator and muzzle brake.

LANDING VEHICLE, TRACKED, MK 4, LVT (4)



RA PD 137771



NOTE: ALL DIMENSIONS SHOWN ARE IN INCHES

Technical Manuals: 9-775, 9-1726A, 9-1726C, 9-1728, 9-1775, 9-1825A, 9-1826B, 9-1829A; Supply Catalog: SNL G-209.

Classification: Standard.

Armament: 2 guns, machine, cal. .50, Browning, M2, heavy barrel (flexible), pintle mounted at front of crew compartment; 3 guns, machine, cal. .30, Browning, M1919A4 (flexible), 1 ball mounted at right front of hull, 2 pintle mounted on sides of crew compartment.

Ammunition: 5,000 round, Cal. .30; 2,000 rounds, cal. .50; 450 rounds, cal. .45, for submachine guns; 24 hand grenades.

Purpose: To land personnel and cargo and transport it on rough terrain, swamp land, and water.

Fire-Control and Vision Devices: Periscope, M12 or M6 (vision).

Communications: (SCR-508 or AN/GRC-3, -4, -5, -6, -7, or -8) and (AN/GRC-9 or NAVY TCS); or (SCR-528 or AN/GRC-3, -4, -5, -6, -7, or -8) and (two AN/GRC-9 or two NAVY TCS).

GENERAL DATA

Crew	2 to 7
Weight (lb)	Payload 9,000; Fighting 36,400
Shipping dimensions, uncrated	(cu ft) 2,290; (sq ft) 279
Ground pressure	(psi) 8.5
Ground clearance (in.)	18; (on soft ground) 15 1/4
Loaded waterline length	(in.) 296
Loaded freeboard (min)	(in.) 42
Loaded draft (in.)	Front 35 1/4; Rear 31
Cargo space to top of coaming	(in.) 63 3/4
Electrical system	(volts) 12
No. of batteries	(6-volt) 2
Type of ground	negative
Fuel octane rating	80
Capacities:	
Fuel	(gal) 140
Transmission and differential	(qt) 24
Engine oil tank	(qt) 23
Final drives	(each) (qt) 3
Brakes	mechanical, controlled-differential
Parking brake, type	ratchet locks on steering brakes
Transmission forward speeds	5
Gear ratio	High 2.29:1; Low 5.37:1
Differential-drive gear ratio	2.76:1
Final-drive gear ratio	3.15:1
Hull construction	welded sheet steel

PERFORMANCE

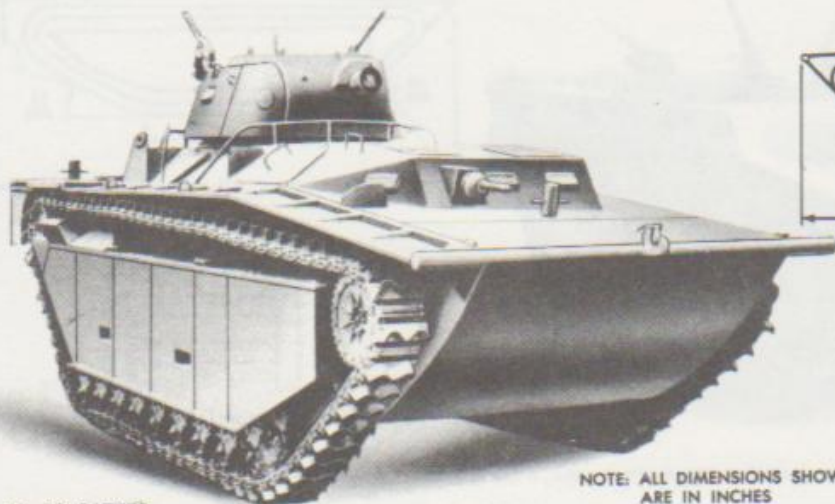
Maximum grade ability	(percent) 60
Turning radius (ft)	Water 48; Land 36
Fording depth	floats
Maximum width of ditch vehicle can cross	(in.) 60
Maximum vertical obstacle vehicle can climb	(in.) 36
Fuel consumption (average conditions)	(mpg) water 0.6; land 0.9
Cruising range (average conditions)	(mi) water 100; land 150
Allowable speed, governed	(mph) water 7; land 15

ENGINE

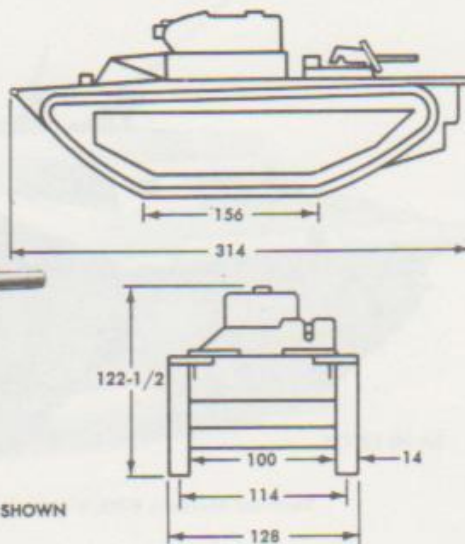
Manufacturer	Continental	Model W670-9A
Type	4-cycle, radial, air-cooled; No. of cylinders 7	
Displacement	(cu in.) 667.86	
Bore	(in.) 5 1/4	
Stroke	(in.) 4 3/4	
Compression ratio	6.1:1	
Governed speed	(rpm) 2,400	
Brake horsepower (max w/std accessories)	250 at (rpm) 2,400	
Torque (max w/std accessories)	578 lb-ft at (rpm) 1,600	
Type of ignition	magneto	

ADDITIONAL DATA

LANDING VEHICLE, TRACKED, (ARMORED), MK 4, LVT (A) (4) AND MK 5, LVT (A) (5)



RA PD 137772



NOTE: ALL DIMENSIONS SHOWN
ARE IN INCHES

Technical Manuals: 9-775, 9-1726A, 9-1726C, 9-1727K, 9-1728, 9-1775, 9-1825A, 9-1826B, 9-1829A; Supply Catalog: SNL G-214.

Classification: Limited Standard.

Armament: One 75-mm howitzer, M2 or M2A1, turret mounted; 3 guns, machine, cal. .30, Browning-M1919A4 (flexible), 1 ball mounted at right front of vehicle, 2 pintle mounted on sides of turret.

Ammunition: 75 rounds, 75-mm; 6,000 rounds cal. .30, for machine gun; 32 rounds, cal. .30 carbines; 1,440 rounds, cal. .45 for sub-machine-guns; 24 rockets, 4.5 in.; 6 rifle grenades; 24 hand grenades.

Fire-Control and Vision Devices: Periscope, M12 or M6 (vision); quadrant, gunner's, M1; telescope, M70C (sight); telescope, panoramic, M12A5 (sight).

Purpose: To land cargo and personnel in combat and for transport on swampy or rough terrain and water.

Communications: (SCR-508 or SCR-608B or AN/GRC-3, -4, -5, -6, -7, or -8) and (AN/GRC-9 or Navy-TCS); or (SCR-508 or SCR-528 or SCR-608B) and (AN/VRC-3); or (SCR-506) and (RC-99); or (SCR-619 or SCR-610) and (RC-99); or (SCR-506) and (SCR-508 or SCR-528 or SCR-608B or AN/GRC-3, -4, -5, -6, -7, or -8).

GENERAL DATA

Crew	6
Weight, fighting	(lb) 40,000
Shipping dimensions, uncrated	(cu ft) 2,850; (sq ft) 279
Ground clearance (in.)	18; (on soft ground) 14 1/4
Ground pressure	(psi) 9.9
Loaded waterline length	(in.) 279
Loaded freeboard (minimum)	(in.) 27
Loaded draft (in.)	front 21 3/4; rear 37 1/4
Cargo space to top of coaming	(in.) 52
Electrical system	(volts) 12
No. of batteries	(6-volt) 2
Type of ground	negative
Fuel octane rating	80
Capacities:	
Fuel	(gal) 140
Auxiliary-generator fuel tank	(gal) 12
Transmission and differential	(qt) 24
Engine oil tank	(qt) 23
Final drive	(each) (qt) 3
Brakes	mechanical, controlled-differential
Parking brake, type	ratchet locks on steering brakes
Transmission for ward speeds	5
Gear ratio	High 2.29:1; Low 5.37:1
Differential-drive gear ratio	2.76:1
Final-drive gear ratio	3.15:1
Hull construction	welded homogeneous armor plate

PERFORMANCE

Maximum grade ability	(percent) 60
Turning radius (ft)	Water 48; Land 30
Fording depth	floats
Maximum width of ditch vehicle can cross	(in.) 60
Maximum vertical obstacle vehicle can climb	(in.) 36
Fuel consumption (average conditions) (mpg)	Water 0.7; Land 1
Cruising range (average conditions) (mi)	Water 100; Land 150
Allowable speed, governed (mph)	Water 7; Land 15

ENGINE

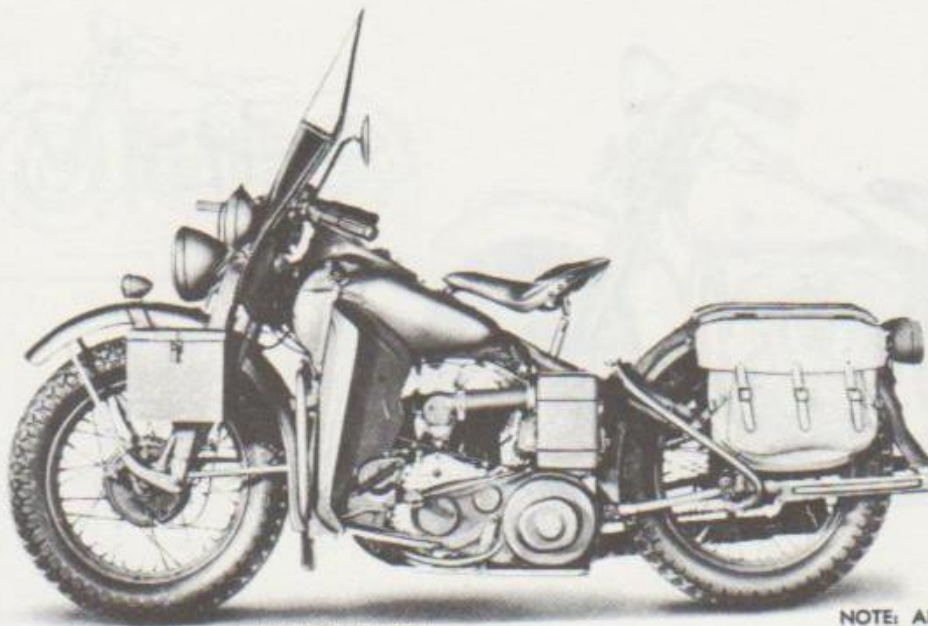
Manufacturer	Continental	Model W670-9A
Type	4-cycle, radial, air-cooled; No. of cylinders 7	
Displacement	(cu in.) 607.86	
Bore	(in.) 5 1/4	
Stroke	(in.) 4 3/4	
Compression ratio	6.1:1	
Governed speed	(rpm) 2,400	
Brake horsepower (max w/std accessories)	250 at (rpm) 2,400	
Torque (max w/std accessories)	578 lb-ft at (rpm) 1,600	
Type of ignition	magneto	

ADDITIONAL DATA

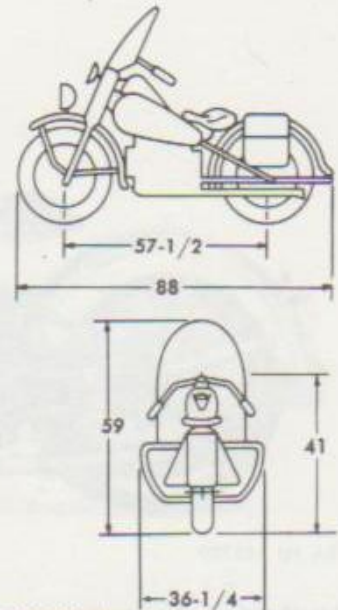
Both models have hand turret traverse. Mk. 5, LVT (A) (5) has power turret-traversing mechanism and elevation stabilizer.
Auxiliary generator: Delco Model 7-B-12.

MOTORCYCLE, SOLO, CHAIN DRIVE

(Harley-Davidson, Models 40 WLA, 41 WLA, 42 WLA)



RA PD 137773



NOTE: ALL DIMENSIONS SHOWN ARE IN INCHES

Technical Manuals: 9-879; 9-1879; Supply Catalog: SNL G-523.

Vehicle illustrated: Model 42 WLA.
Classification: Standard.

Purpose: To transport personnel for reconnaissance, messenger service, police operations, and convoy control.

GENERAL DATA

Crew	1
Weight (lb)	Net 513; Payload 250; Gross 763
Axle load (lb):	
Empty	front 245; rear 268
Loaded	front 370; rear 393
Tires	Ply 4; Size 4.00 x 18; Pressure (psi) front 18; rear 20
Shipping dimensions, uncrated	(cu ft) 76; (sq ft) 23
Ground clearance	(in.) 4
Electrical system:	(volts) 6
No. of batteries	1
Type of ground	negative
Fuel octane rating	72
Capacities:	
Fuel	(gal) 3 3/4
Cooling system	air
Oil tank	(qt) 4 1/4
Transmission	(qt) 3 1/4
Brakes: Manufacturer; Harley-Davidson	Type, mechanical
Transmission for ward speeds	3
Engine-to-wheel ratio	High 4.59 : 1; Low 11.34 : 1

PERFORMANCE

Computed grade ability in lowest gear, loaded	(percent) 32
Turning radius (ft)	right 7; left 7 1/4
Fording depth	(in.) 16
Fuel consumption, loaded	(mpg) 37
Cruising range, loaded	(mi) 124
Allowable speed, recommended	(mph) 70

ENGINE

Manufacturer: Harley-Davidson	Model WLA
Type	L-head, 4-cycle; No. of cylinders (45-deg V) 2
Displacement	(cu in.) 45.124
Bore	(in.) 2 3/4
Stroke	(in.) 3 1/8
Compression ratio	4.32 : 1
Governed speed	not governed
Brake horsepower (max w/std accessories)	23 at (rpm) 4,600
Torque (max)	28 lb-ft at (rpm) 3,000

ADDITIONAL DATA

Data given for Model 42 WLA.

Changes in data for Model 40 WLA are as follows:

Shipping dimensions, uncrated	(cu ft) 73; (sq ft) 21
Capacities:	
Oil tank	(qt) 1

ENGINE

Model	40 WLA
Compression ratio	4.3 : 1
Changes in data for Model 41 WLA are as follows:	
Shipping dimensions, uncrated	(cu ft) 84; (sq ft) 23
Capacities:	
Oil tank	(qt) 4

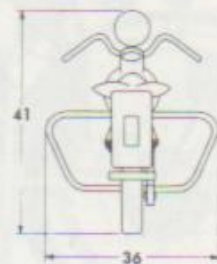
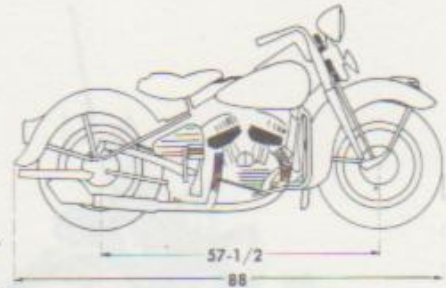
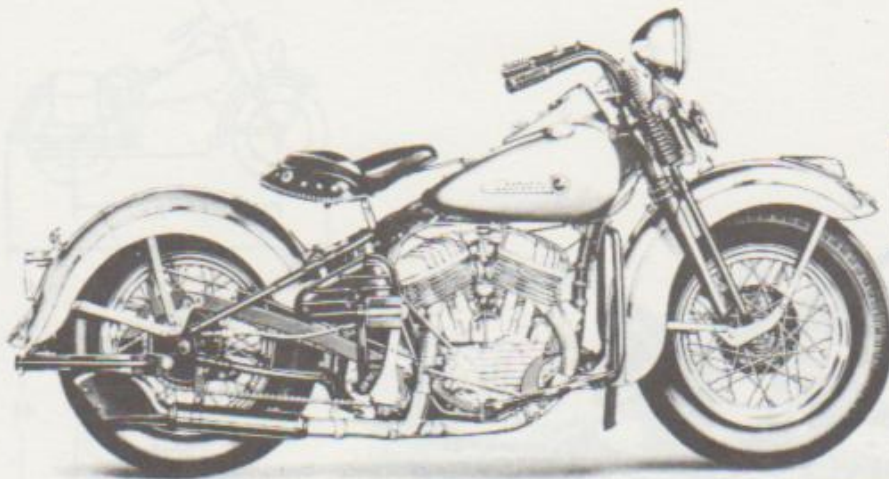
ENGINE

Model	41 WLA
Compression ratio	4.75 : 1
Torque (max)	24 lb-ft at (rpm) 4,000

CFB-2

MOTORCYCLE, SOLO, CHAIN DRIVE

(Harley-Davidson, Model WL45)



NOTE: ALL DIMENSIONS SHOWN ARE IN INCHES

RA PD 137729

Classification: Standard.

Purpose: To transport personnel for reconnaissance messenger service police operations, and convoy control.

GENERAL DATA

Crew.....	1
Weight (lb).....	Net 477; Payload 250; Gross 727
Axle load (lb):	
Empty.....	front 229; rear 248
Loaded.....	front 354; rear 373
Tires: Ply 4; Size 4.00 x 18; Pressure (psi).....	front 18; rear 20
Shipping dimensions, uncrated.....	(cu ft) 75; (sq ft) 22
Ground clearance.....	(in.) 4 1/2
Electrical system.....	(volts) 6
No. of batteries.....	1
Type of ground.....	negative
Fuel octane rating.....	72
Capacities:	
Fuel.....	(gal) 3 3/4
Cooling system.....	air
Oil tank.....	(qt) 3 1/2
Transmission.....	(qt) 1/2
Brakes: Manufacturer; Harley-Davidson.....	Type; mechanical
Transmission for ward speeds.....	3
Engine-to-wheel ratio.....	High 4.74:1; Low 11.72:1

PERFORMANCE

Computed grade ability in lowest gear, loaded.....	(percent) 29
Turning radius.....	(ft) 7 1/2
Fording depth.....	(in.) 16
Fuel consumption, loaded.....	(mpg) 37
Cruising range, loaded.....	(mi) 125
Allowable speed, recommended.....	(mph) 70

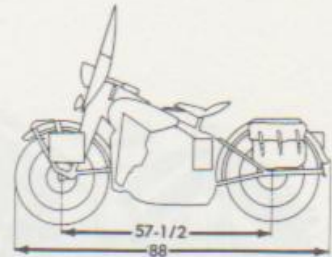
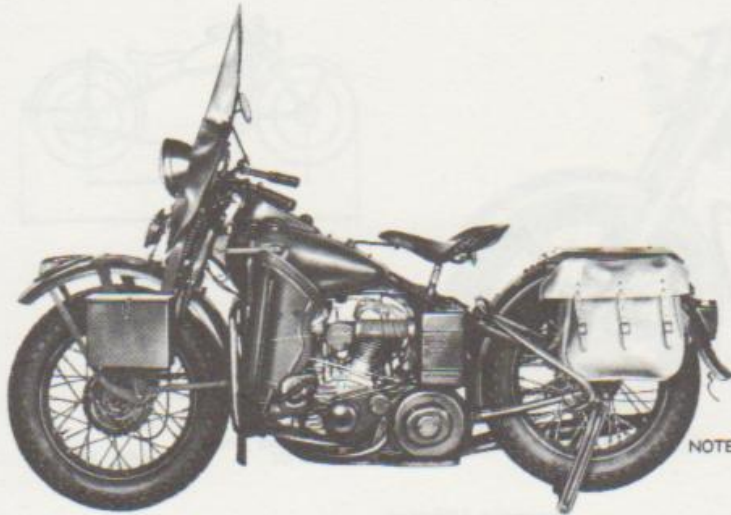
ENGINE

Manufacturer: Harley-Davidson.....	Model WL
Type.....	L-head, 4-cycle; No. of cylinders (45 deg V) 2
Displacement.....	(cu in.) 45
Bore.....	(in.) 2 1/4
Stroke.....	(in.) 3 1/4
Compression ratio.....	6:1
Governed speed.....	not governed
Brake horsepower (max w/std accessories).....	23 at (rpm) 4,600
Torque (max).....	27 1/4 lb-ft at (rpm) 4,000

ADDITIONAL DATA

MOTORCYCLE, SOLO, CHAIN DRIVE

(Harley-Davidson, Model 50 WLA)



NOTE: ALL DIMENSIONS SHOWN ARE IN INCHES

RA PD 172659

Classification: Standard.

Purpose: To transport personnel for reconnaissance, messenger service, police operations, and convoy control.

GENERAL DATA

Crew1
Weight (lb)Net 562; Payload 250; Gross 812
Axle load (lb):	
Emptyfront 241; rear 321
Loadedfront 366; rear 446
TiresPly 4; Size 18 x 4; Pressure (psi) front 16; rear 18
Shipping dimensions, uncrated(cu ft) 115; (sq ft) 23
Vehicle dimensions: Ground clearance(in.) 4
Electrical system(volts) 6
No. of batteries1
Type of groundnegative
Fuel octane rating72
Capacities:	
Fuel(gal) 3 3/4
Oil tank, refill(qt) 4 1/4
Transmission(qt) 3/4
Brakes: Manufacturer: Harley-DavidsonType: mechanical
Transmission for ward speeds3
Engine to wheel ratioHigh 4.59:1; Low 11.34:1

PERFORMANCE

Computed grade ability in lowest gear, loaded(percent) 30
Turning radius(ft) 8
Fording depth(in.) 16
Fuel consumption, loaded(mpg) 35
Cruising range, loaded(mi) 120
Allowable speed, recommended(mph) 65

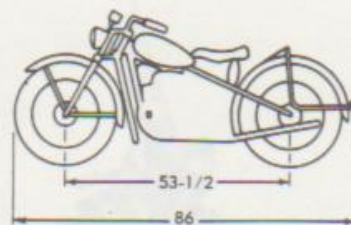
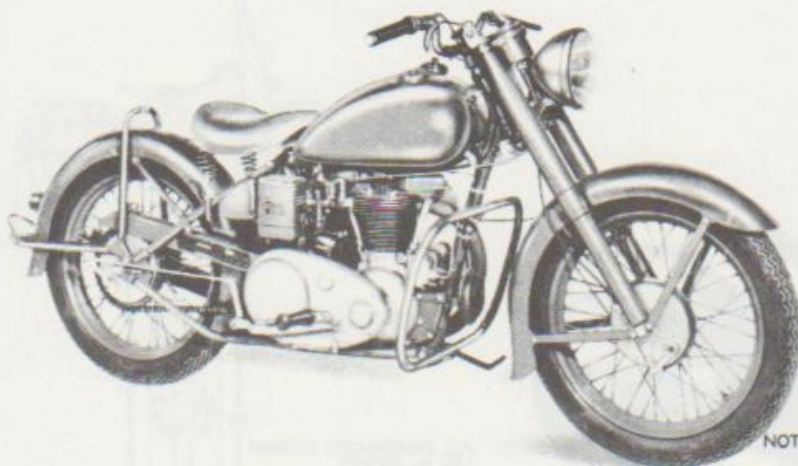
ENGINE

Manufacturer: Harley-DavidsonModel WLA
Type4-cycle, L-head; No. of cylinders (45-deg V) 2
Displacement(cu in.) 45
Bore(in.) 2 3/4
Stroke(in.) 3 1/4
Compression ratio5:1
Governed speednot governed
Brake horsepower (max w/std accessories)23 at (rpm) 4,600
Torque (max w/std accessories)28 lb-ft at (rpm) 3,000

ADDITIONAL DATA

MOTORCYCLE, SOLO, EXTRA LIGHT

(Indian, Model 149M, T3)



NOTE: ALL DIMENSIONS SHOWN ARE IN INCHES RA PD 172695

Classification: Standard.

Purpose: Airborne.

GENERAL DATA

Crew.....	1
Weight (lb).....	Net 310; Payload 200; Gross 510
Axle load (lb):	
Empty.....	front 144; rear 164
Loaded.....	front 247; rear 263
Tires.....	Ply 4; Size 3 3/4 x 18; Pressure (psi) 20
Shipping dimensions, uncrated.....	(cu ft) 55; (sq ft) 17
Ground clearance.....	(in.) 5
Electrical system.....	magneto and generator
No. of batteries.....	(6-volt) 1
Type of ground.....	negative
Fuel octane rating.....	72
Capacities:	
Fuel.....	(gal) 3 3/4
Oil tank.....	(qt) 1 1/2
Transmission.....	(qt) 7/8
Primary drive.....	(qt) 3/4
Type of drive.....	chain
Cooling system.....	air
Brakes: Manufacturer, Indian.....	Type: mechanical

PERFORMANCE

Computed grade ability in lowest gear, loaded.....	(percent) 30
Turning radius.....	(ft) 6 3/4
Fording depth.....	(in.) 12
Fuel consumption, loaded.....	(mpg) 80
Cruising range, loaded.....	(mi) 300
Maximum speed, recommended.....	(mph) 60
No. of forward speeds.....	4
Engine-to-wheel ratio.....	High 6:12:1; Low 17:01:1

ENGINE

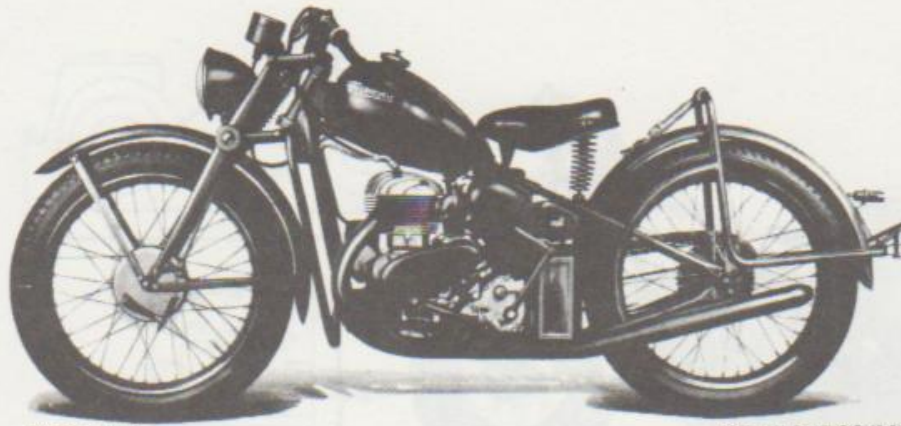
Manufacturer: Indian.....	Model 149M
Type.....	Vertical, 4-cycle; No. of cylinders 1
Displacement.....	(cu in.) 13.3
Bore.....	(in.) 2 3/4
Stroke.....	(in.) 3
Compression ratio.....	7:1
Brake horsepower (max w/std accessories).....	.9 at (rpm) 5,000
Torque (max).....	9.8 lb-ft at (rpm) 3,800

ADDITIONAL DATA

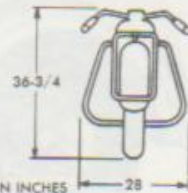
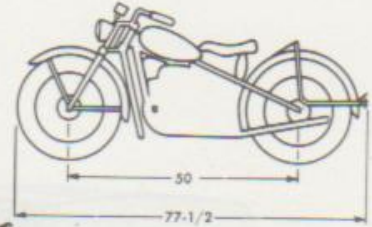
Equipped with parachute attaching rings.

MOTORCYCLE, SOLO, EXTRA LIGHT, M1

(Indian, Model 148)



RA PD 137774



NOTE: ALL DIMENSIONS SHOWN ARE IN INCHES

Classification: Standard.

Purpose: Airborne.

GENERAL DATA

Crew1
Weight (lb)Net 250; Payload 225; Gross 475
Axle load (lb):	
Emptyfront 110; rear 140
Loadedfront 222; rear 253
TiresPly 4; Size 3 x 18; Pressure (psi) 20
Shipping dimensions, uncrated(cu ft) 46 (sq ft) 15
Ground clearance(in.) 5 1/4
Electrical systemmagneto and generator
No. of batteries(6-volt) 1
Type of groundnegative
Fuel octane rating72
Capacities:	
Fuel(gal) 2 3/4
Oil tank(qt) 1 1/2
Transmission(qt) 1/4
Primary drive(qt) 1/4
Type of drivechain
Cooling systemair
Brakes: Manufacturer; IndianType; mechanical

PERFORMANCE

Computed grade ability in lowest gear, loaded(percent) 25
Turning radius(ft) 5 1/4
Fording depth(in.) 12
Fuel consumption, loaded(mpg) 90
Cruising range, loaded(mi) 250
Maximum speed, recommended(mph) 45
No. of forward speeds3
Engine-to-wheel ratioHigh 6.4:1; Low 18.2:1

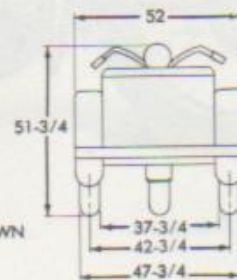
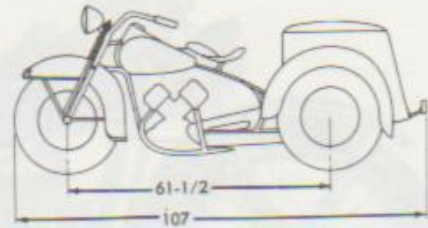
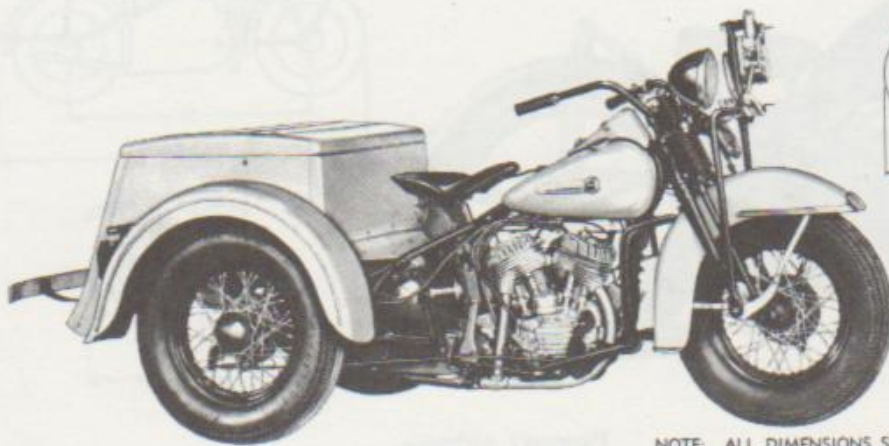
ENGINE

Manufacturer: IndianModel 1
TypeVertical, 4-cycle; No. of cylinders 1
Displacement(cu in.) 13.5
Bore(in.) 2 1/2
Stroke(in.) 2 3/4
Compression ratio4.75:1
Brake horsepower (max w/std accessories)6.3 at (rpm) 4,800
Torque (max)8.1 lb-ft at (rpm) 3,600

ADDITIONAL DATA

Equipped with parachute attaching rings.

MOTORCYCLE, SOLO, 3-WHEEL (Harley-Davidson, Model G, 1950)



NOTE: ALL DIMENSIONS SHOWN
ARE IN INCHES

RA PD 172660

Classification: Nonclassified.

Purpose: To provide transportation for messenger service, convoy control, and police operations.

GENERAL DATA

Crew.....	1
Weight (lb).....	Net 500; Payload 500; Gross 1,395
Tires.....	Ply 4; Size 5.00 x 16; Pressure (psi) front 12; rear 16
Shipping dimensions, uncrated.....	(cu ft) 167; (sq ft) 39
Vehicle dimensions:	
Ground clearance.....	(in.) 4 1/2
Electrical system:	
No. of batteries.....	1
Type of ground.....	negative
Fuel octane rating.....	72
Capacities:	
Fuel.....	(gal) 3 3/4
Oil tank, refill.....	(qt) 3 1/2
Transmission.....	(qt) 3/4
Brakes: Manufacturer; Harley-Davidson..... Type; mechanical	
Transmission forward speeds: 3	
Engine-to-wheel ratio.....	High 5.85:1; Low 14.4:1

PERFORMANCE

Turning radius.....	(ft) 8
Fording depth.....	(in.) 16
Fuel consumption, loaded.....	(mpg) 35
Cruising range, loaded.....	(mi) 120
Allowable speed.....	(mph) 45

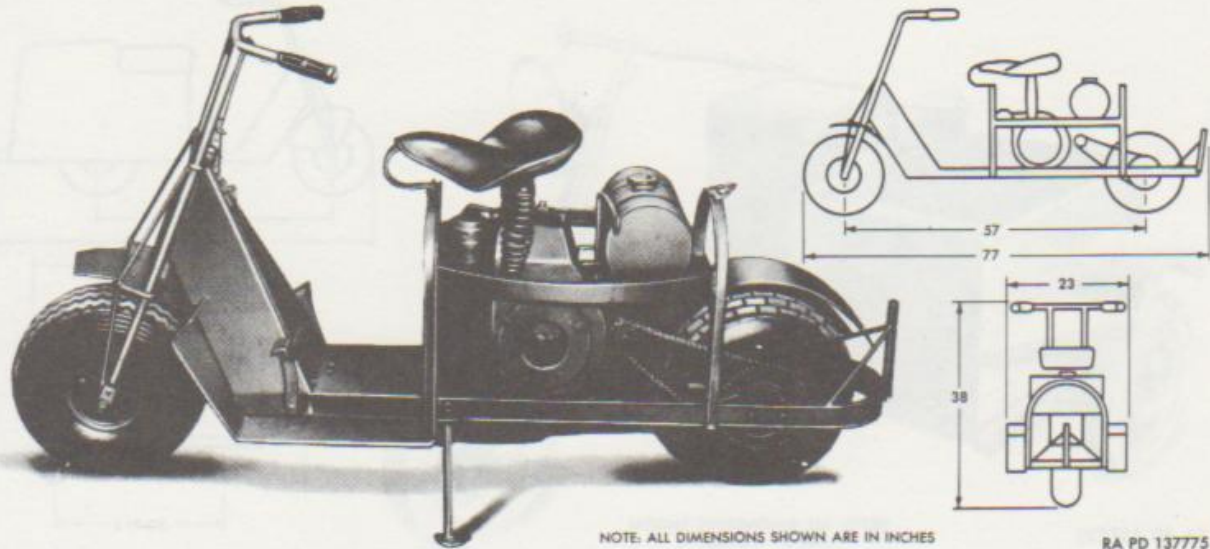
ENGINE

Manufacturer: Harley-Davidson.....	Model G
Type.....	4-cycle, L-head; No. of cylinders (45-deg V) 2
Displacement.....	(cu in.) 45
Bore.....	(in.) 2 3/4
Stroke.....	(in.) 3 1/4
Compression ratio.....	4.75:1
Governed speed.....	not governed
Brake horsepower (max w/std accessories).....	23 at (rpm) 4,600
Torque (max w/std accessories).....	25 at (rpm) 3,000

ADDITIONAL DATA

SCOOTER, MOTOR, AIRBORNE, 2-WHEEL

(Cushman, Model 53)



NOTE: ALL DIMENSIONS SHOWN ARE IN INCHES

RA PD 137775

Technical Manual: 9-876; Supply Catalog: SNL G-683

Classification: Limited Standard.

Purpose: To transport one person.

GENERAL DATA

Crew	1
Weight (lb)	Net 260; Payload 225; Gross 485
Axle load (lb):	
Empty	front 100; rear 160
Loaded	front 195; rear 290
Tires	Ply 4; Size 6.00 x 6; Pressure (psi) 15
Shipping dimensions, uncrated	(cu ft) 39; (sq ft) 12
Ground clearance	(in.) 6 3/4
Electrical system: ignition	magneto
Fuel octane rating	70
Capacities:	
Fuel	(gal) 2
Crankcase	(qt) 1 3/4
Transmission	(qt) 1 3/4
Cooling system	air
Brakes:	
Manufacturer; Cushman	Type; mechanical
Parking brake	none
Type of drive	chain
Transmission for ward speeds	2
Engine-to-wheel ratio	High 5.03:1; Low 14.99:1

PERFORMANCE

Computed grade ability in lowest gear, loaded	(percent) 25
Turning radius	(ft) 6 1/4
Fording depth	(in.) 12
Fuel consumption, loaded	(mpg) 80
Cruising range, loaded	(mi) 100
Maximum speed	(mph) 40

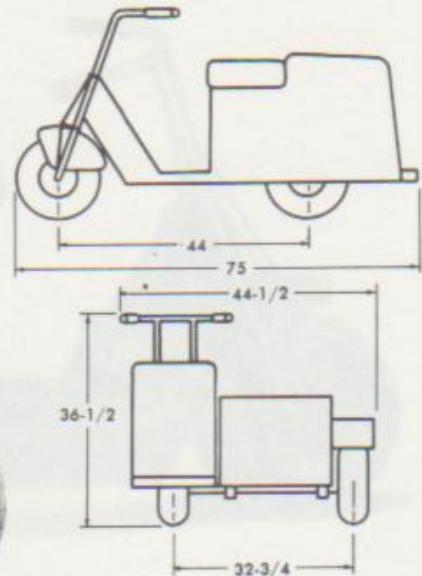
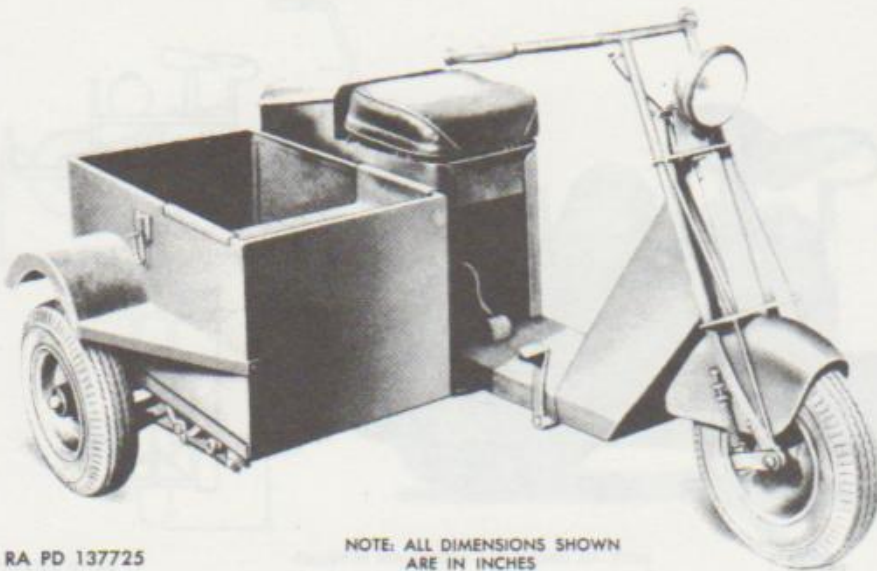
ENGINE

Manufacturer; Cushman	Model 16M71
Type	Vertical, 4-cycle; No. of cylinders 1
Displacement	(cu in.) 14.89
Bore	(in.) 2 5/8
Stroke	(in.) 2 5/8
Compression ratio	5.4:1
Brake horsepower (max w/std accessories)	4.6 at (rpm) 3,600
Torque (max)	7.5 lb-ft at (rpm) 2,600

ADDITIONAL DATA

SCOOTER, MOTOR, 3-WHEEL, W/SIDE CAR

(Cushman, Model 32)



RA PD 137725

NOTE: ALL DIMENSIONS SHOWN ARE IN INCHES

Technical Manual: 10-1399.

Classification: Limited Standard.

Purpose: For light delivery and messenger service.

GENERAL DATA

Crew	1
Weight (lb)	Net 325; Payload 325; Gross 650
Axle load (lb):	
Empty.....	front 100; rear 225
Loaded.....	front 220; rear 430
Shipping dimensions uncrated	(cu ft) 71; (sq ft) 23.1
Tires	Ply 4; Size 4.00 x 8; Pressure (psi) 30
Vehicle dimensions:	
Ground clearance.....	(in.) 4
Side car inside dimensions (in.).....	Length 30; Width 18; Height 16
Cargo space.....	(cu ft) 5
Electrical system	(volts) 6
No. of batteries.....	none
Fuel octane rating	70
Capacities:	
Fuel.....	(gal) 1 1/4
Crankcase.....	(qt) 1 1/4
Cooling system.....	air
Brakes:	
Manufacturer; Cushman.....	Type; mechanical
Parking brake.....	none
Type of drive	chain
Transmission speeds	no transmission
Engine-to-wheel ratio: 5:1 w/60-tooth rear-wheel sprocket, 4.41:1 w/53-tooth rear-wheel sprocket.	

PERFORMANCE

Computed grade ability, loaded	(percent) 4
Turning radius (ft)	left 5 1/4; right 6 1/4
Fording depth	(in.) 10
Fuel consumption, loaded	(mpg) 42
Cruising range, loaded	(mi) 50
Maximum speed	(mph) 35

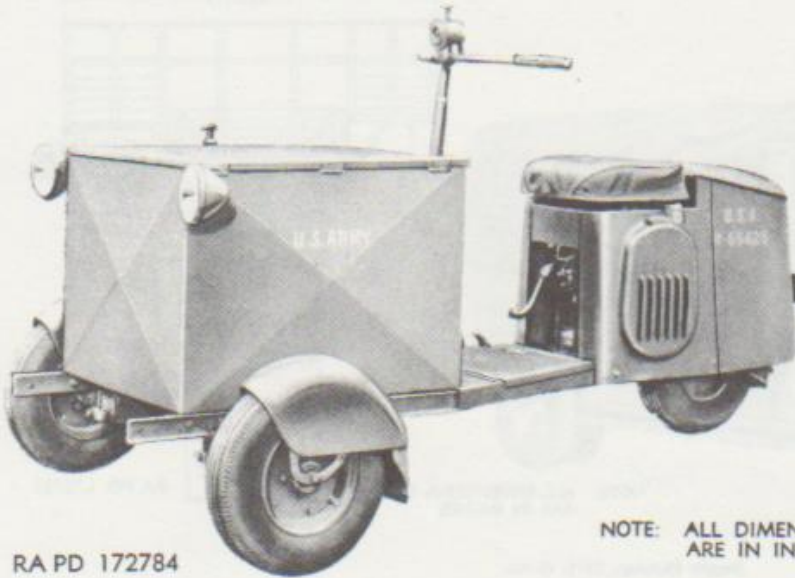
ENGINE

Manufacturer: Cushman.....	Model 15M71
Type	Vertical, 4-cycle; No. of cylinders 1
Displacement	(cu in.) 14.89
Bore	(in.) 2 1/4
Stroke	(in.) 2 1/4
Compression ratio	5.4:1
Brake horsepower (max w/std accessories)	4.6 at (rpm) 3,600
Torque (max)	7.5 lb-ft at (rpm) 2,600

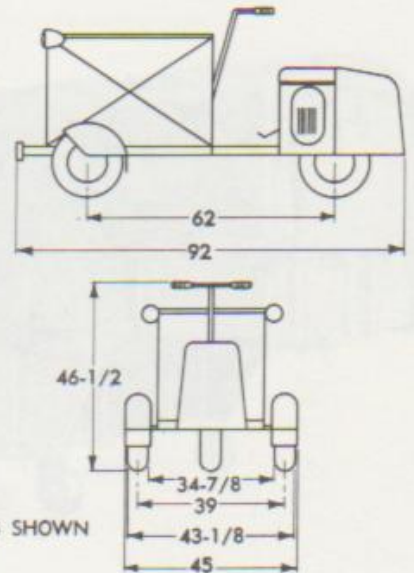
ADDITIONAL DATA

SCOOTER, MOTOR, PACKAGE DELIVERY, 3-WHEEL

(Cushman Package Kar, Model 39)



RA PD 172784



NOTE: ALL DIMENSIONS SHOWN ARE IN INCHES

Supply Catalog: SNL G-672.

Classification: Substitute Standard.

Purpose: For light delivery and messenger service.

GENERAL DATA

Crew.....	1
Weight (lb).....	Net 415; Payload 350; Gross 765
Axle load (lb):	
Empty.....	front 235; rear 180
Loaded.....	front 410; rear 355
Shipping dimensions, uncrated.....	(cu ft) 112; (sq ft) 28.8
Tires:	
Ply 4.....	Size 4.00 x 8; Pressure (psi) 30
Tread.....	center-to-center, front (in.) 39
Vehicle dimensions:	
Ground clearance.....	(in.) 5 1/4
Package compartment inside dimensions (in.):	
Length 28.....	Width 22; Height 21
Cargo space.....	(cu ft) 7 1/4
Electrical system.....	(volts) 6
No. of batteries.....	none
Fuel octane rating.....	70
Capacities:	
Fuel.....	(gal) 1 1/4
Crankcase.....	(qt) 1 1/4
Transmission.....	(qt) 1/4
Cooling system.....	air
Brakes:	
Manufacturer; Cushman.....	Type; mechanical
Parking brake.....	lock on service brake pedal
Type of drive.....	chain
Transmission for ward speeds.....	2
Engine-to-wheel ratio.....	High 6.48:1; Low 13.43:1

PERFORMANCE

Computed grade ability in lowest gear, loaded.....	(percent) 12
Turning radius.....	(ft) 11
Fording depth.....	(in.) 6
Fuel consumption, loaded.....	(mpg) 42
Cruising range, loaded.....	(mi) 50
Maximum speed.....	(mph) 30

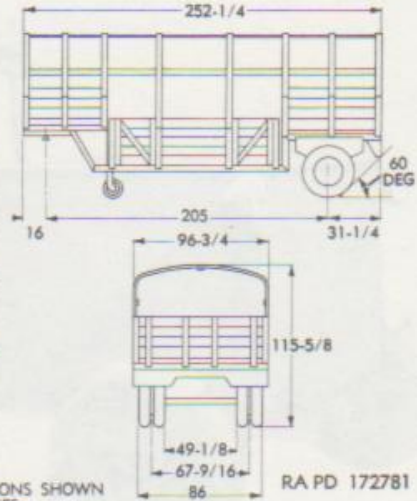
ENGINE

Manufacturer: Cushman.....	Model 10M70
Type.....	Vertical, 4-cycle; No. of cylinders 1
Displacement.....	(cu in.) 14.89
Bore.....	(in.) 2 1/4
Stroke.....	(in.) 2 1/4
Compression ratio.....	5.4:1
Brake horsepower (max w/std accessories).....	4 at (rpm) 3,600
Torque (max).....	7.5 lb-ft at (rpm) 2,600

ADDITIONAL DATA

SEMITRAILER, 32-PASSENGER BUS CHASSIS, 3-TON, 2-WHEEL

(Fruehauf, Model 220DDF-SP)



NOTE: ALL DIMENSIONS SHOWN ARE IN INCHES

Supply Catalog: SNL G-701.

Classification: Nonclassified.

Purpose: To transport personnel.

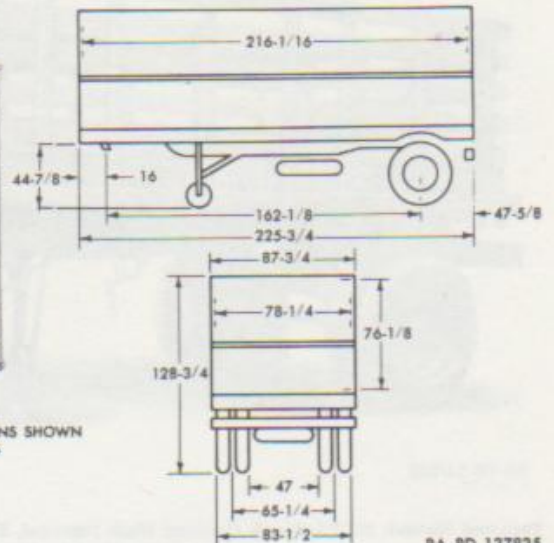
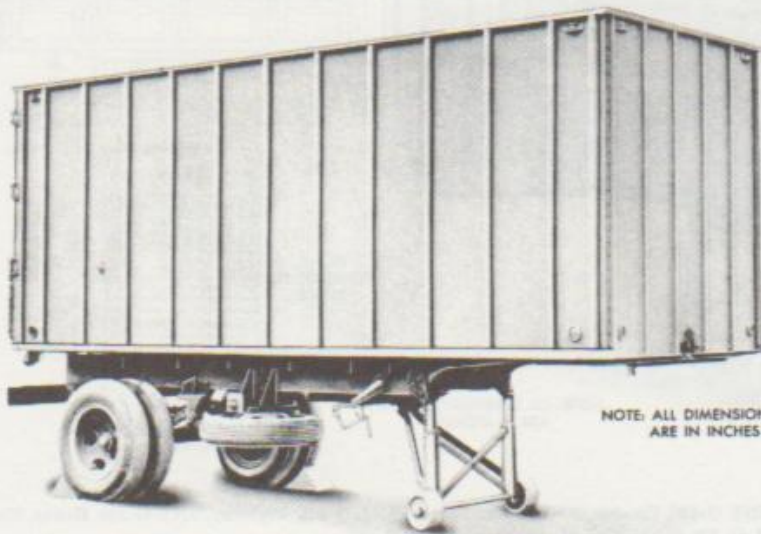
GENERAL DATA

Weight (lb).....Net 6,790; Payload 6,480; Gross 13,270
Weight distribution (lb):
Empty.....fifth wheel 3,010; axle 3,780
Loaded.....fifth wheel 6,480; axle 6,790
Tires.....Ply 8; Size 7.50 x 20; Pressure (psi) 55
Shipping dimensions uncrated.....(cu ft) 1,640; (sq ft) 170
Vehicle dimensions:
Ground clearance.....(in.) 15 1/4
Step height, empty.....(in.) 24 5/8
Height of fifth wheel, landing gear down.....(in.) 44
Body inside dimensions (in.):
Length 246.....Width 90; Height: front 61 3/4
center 90
rear 72
Brakes: Manufacturer; Borg-Warner.....Type; electric
Parking brake, type.....mechanical
Minimum towing vehicle to be used.....truck, tractor, 1 1/4-ton, 4 x 2

ADDITIONAL DATA

SEMITRAILER, VAN, 3-TON, 2-WHEEL

(Black, Diamond, Model T118, 1942-43; Carolina, Model M2A, 1943-44; Checker, Model CC3; Highway, Models SKD 1742A, 1941, SKD 2043, SKD 2269, steel, SKD 2316, wood, SKD 2353 WKD; Kingham, Model H30S, 1942-43; Steel Products, Model ASV, 1943; Strick, Models 300, 300-18, 1942-1943; Truck Engineering, Model 2SF, 1943)



RA PD 137835

Technical Manuals: 10-1168, 10-1363, 10-1675; Supply Catalogs: SNL G-530; Carolina, SNL G-570; Checker, SNL G-560; Highway, SNL G-579; Kingham, SNL G-565; Steel Products, SNL G-571; Strick, SNL G-582; Truck Engineering, SNL G-566.

Vehicle illustrated: Black Diamond.
Classification: Standard.

Purpose: To transport general cargo.

GENERAL DATA

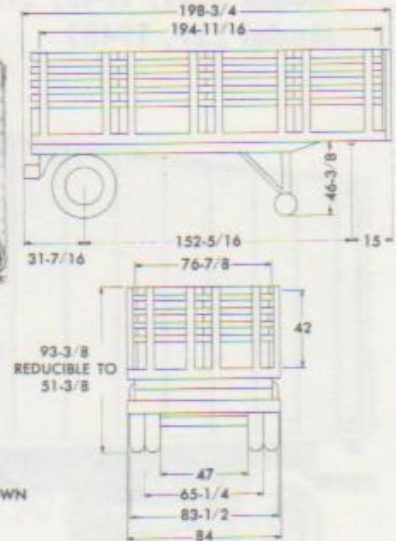
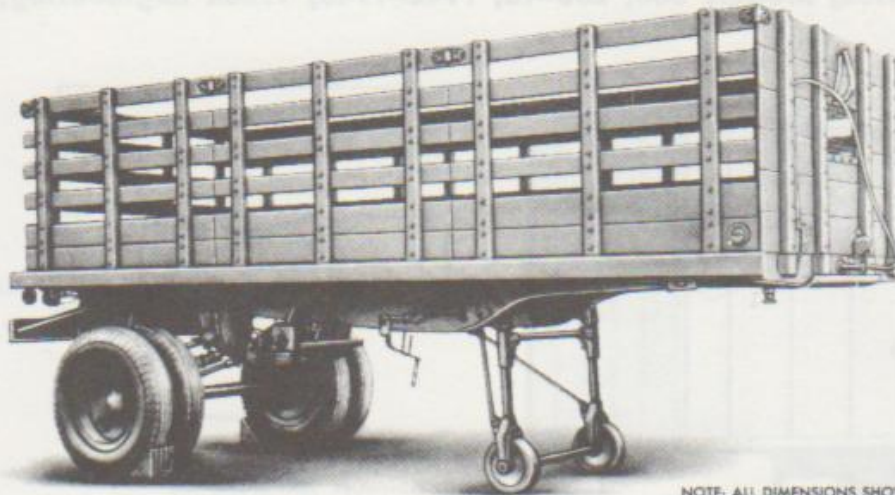
Weight (lb) Net.....	5,870
Payload.....	on inferior roads 6,000; on highway 10,000
Gross.....	on inferior roads 11,870; on highway 15,870
Weight distribution (lb):	
Empty.....	fifth wheel 1,860; axle 4,010
Loaded:	
On inferior roads.....	fifth wheel 4,512; axle 7,358
On highway.....	fifth wheel 6,280; axle 9,590
Tires.....	Ply 8; Size 7.50 x 20; Pressure (psi) 55
Shipping dimensions, uncrated.....	(cu ft) 1,468; (sq ft) 138
Vehicle dimensions:	
Ground clearance.....	(in.) 13 1/4
Loading height.....	(in.) 49 3/4
Height of fifth wheel, landing gear down.....	(in.) 44 3/4
Cargo space.....	(cu ft) 744
Brakes:	
Manufacturer; Warner.....	Type; electric
Parking brake.....	none
Minimum towing vehicle to be used.....	Truck, tractor, 1 1/4-ton, 4 x 2

ADDITIONAL DATA

Some models equipped with wood bodies; others with steel bodies.

SEMITRAILER, STAKE AND PLATFORM, 3 1/2-TON, 2-WHEEL

(Black Diamond, Models T118 and T118A; Checker, Model CC4; Dorsey, Model D8; Highway, Model SKD 2267; Hobbs, Models 5DF and DF18, 1942; Kingham, Model H30S, 1942-43; Strick, Models 300 and 300-18, 1942-43; Utility, Model G-SW2)



NOTE: ALL DIMENSIONS SHOWN ARE IN INCHES

RA PD 137802

Technical Manual: 10-1363; Supply Catalogs: Black Diamond, SNL G-530; Checker, SNL G-560; Dorsey, SNL G-563; Highway, SNL G-579; Hobbs, SNL G-564; Kingham, SNL G-565; Strick, SNL G-582; Utility, SNL G-567.

Vehicle Illustrated: Highway.
Classification: Standard.

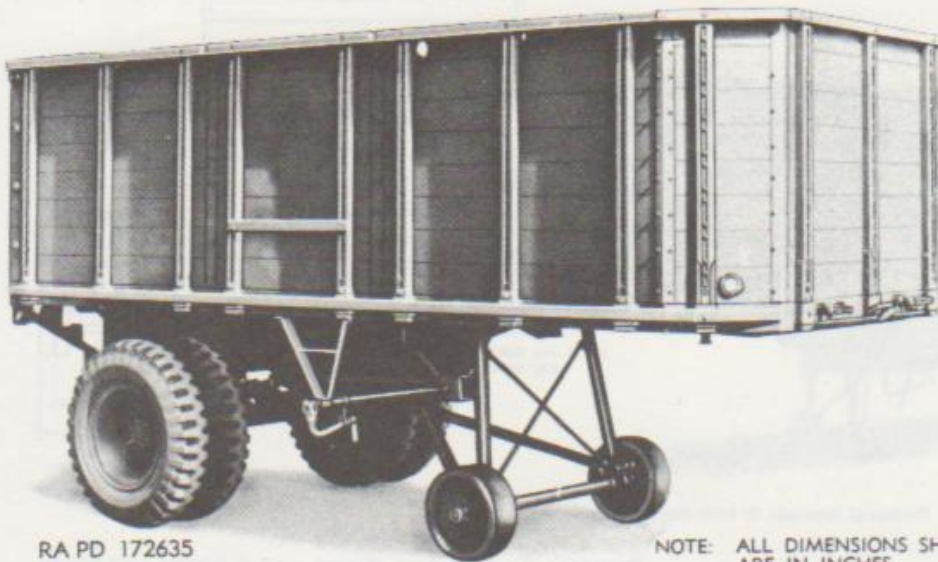
Purpose: To transport general cargo.

GENERAL DATA

Weight (lb) Net.....	4,700
Payload.....on inferior roads 7,000; on highway 12,000	
Gross.....on inferior roads 11,700; on highway 17,300	
Weight distribution (lb):	
Empty.....	fifth wheel 1,800; axle 2,810
Loaded:	
On inferior roads.....	fifth wheel 5,160; axle 6,540
On highway.....	fifth wheel 7,780; axle 9,520
Tires	Ply 8; Size 7.50 x 20; Pressure (psi) 55
Shipping dimensions, uncrated	(cu ft) 906; (sq ft) 116
Vehicle dimensions:	
Ground clearance.....	(in.) 13 1/4
Loading height, empty.....	(in.) 51 3/4
Height of fifth wheel landing gear down.....	(in.) 46 3/4
Cargo space.....	(cu ft) 364
Brakes:	
Manufacturer; Warner.....	Type; electric
Parking brake.....	none
Minimum towing vehicle to be used	truck, tractor, 1 1/2-ton, 4 x 2

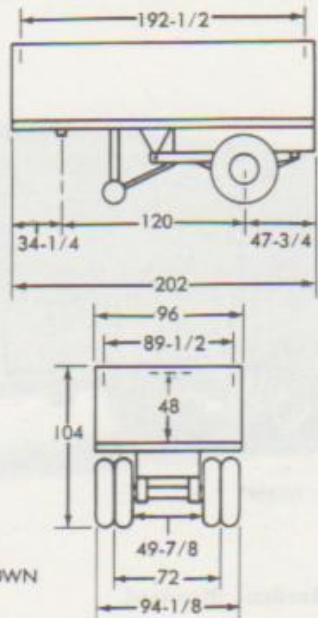
ADDITIONAL DATA

SEMITRAILER, STAKE AND PLATFORM, 5-TON, 2-WHEEL (Olson, Trailmobile, Truck Engineering, Model 516)



RA PD 172635

NOTE: ALL DIMENSIONS SHOWN ARE IN INCHES



Technical Manual: 9-890; Supply Catalog: SNL G-675.

Classification: Standard.

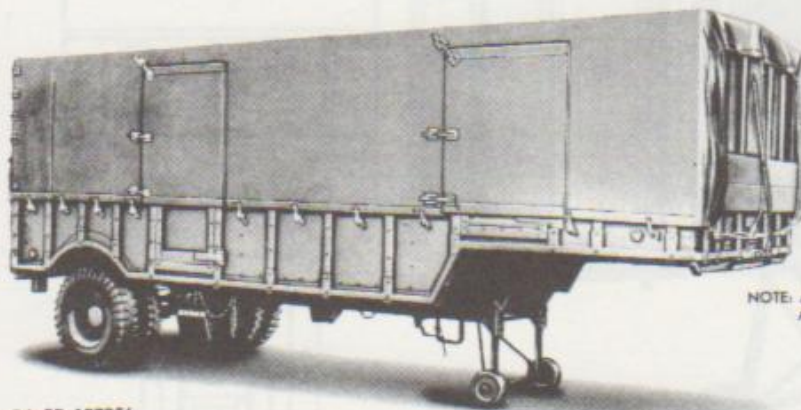
Purpose: To transport general cargo.

GENERAL DATA

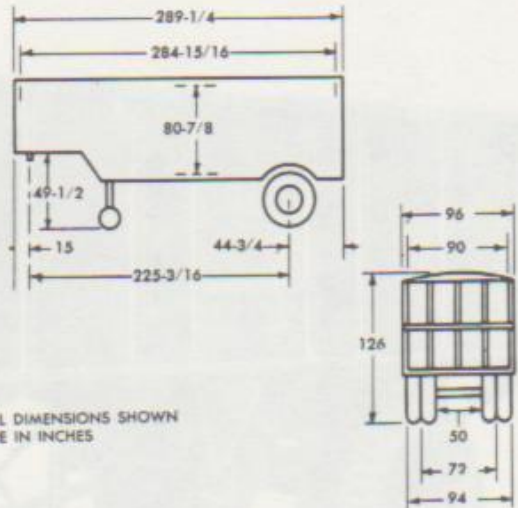
Weight (lb) Net	6,640
Payload.....	on inferior roads 10,000; on highway 15,000
Gross.....	on inferior roads 16,640; on highway 21,640
Weight distribution (lb):	
Empty.....	fifth wheel 2,275; axle 4,365
Loaded:	
On inferior roads.....	fifth wheel 7,000; axle 9,640
On highway.....	fifth wheel 9,365; axle 12,275
Tires	Ply 10; Size 9.00 x 20; Pressure (psi) 65
Shipping dimensions, uncrated	(cu ft) 1,167; (sq ft) 135
Vehicle dimensions:	
Ground clearance.....	(in.) 16 $\frac{1}{2}$
Loading height, empty.....	(in.) 52 $\frac{3}{4}$
Height of fifth wheel, landing gear down.....	(in.) 43 $\frac{3}{4}$
Cargo space.....	(cu ft) 51 $\frac{1}{2}$
Brakes:	
Manufacturer; Bendix-Westinghouse.....	Type; air
Parking brake, type.....	mechanical
Minimum towing vehicle to be used	truck, tractor, 5-ton, 4 x 2

ADDITIONAL DATA

SEMITRAILER, ANIMAL AND CARGO, 6-TON, 2-WHEEL (Highway, Model SKD 1815)



RA PD 137856



NOTE: ALL DIMENSIONS SHOWN ARE IN INCHES

Technical Manual: 10-1372; Supply Catalog: SNL G-825.

Classification: Standard.

Purpose: To transport 8 men and 8 horses and equipment for both, including rifles and saddles.

GENERAL DATA

Weight (lb)	Net 8,809; Payload 12,000; Gross 20,809
Weight distribution (lb):	
Empty.....	fifth wheel 2,849; axle 5,960
Loaded.....	fifth wheel 7,809; axle 13,000
Tires	Ply 10; Size 9.00 x 20; Pressure (psi) 65
Shipping dimensions, uncrated	(cu ft) 2,025; (sq ft) 193
Vehicle dimensions:	
Ground clearance.....	(in.) 14
Loading height, empty.....	(in.) 38
Height of fifth wheel, landing gear down.....	(in.) 49 3/4
Cargo space.....	(cu ft) 1,055
Brakes:	
Manufacturer; Bendix-Westinghouse.....	Type; air
Parking brake.....	none
Minimum towing vehicle to be used	truck, tractor, 3 1/2-ton, 4 x 2

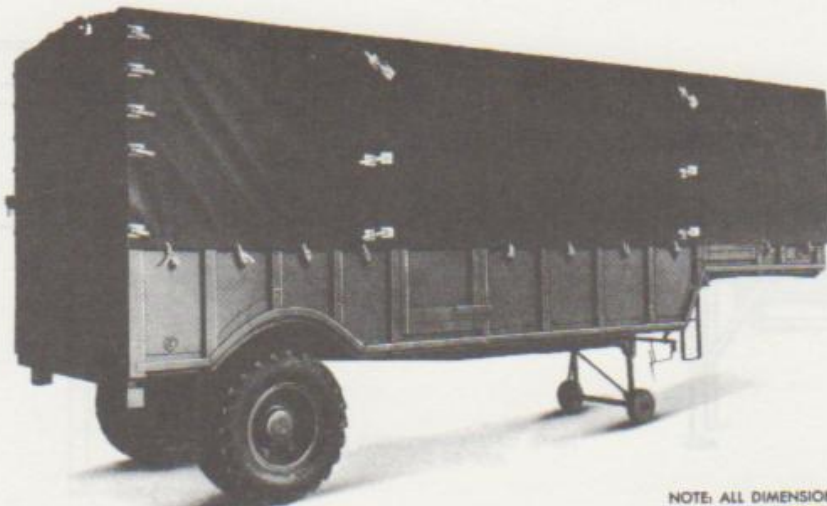
ADDITIONAL DATA

This model equipped with differential dual wheels.

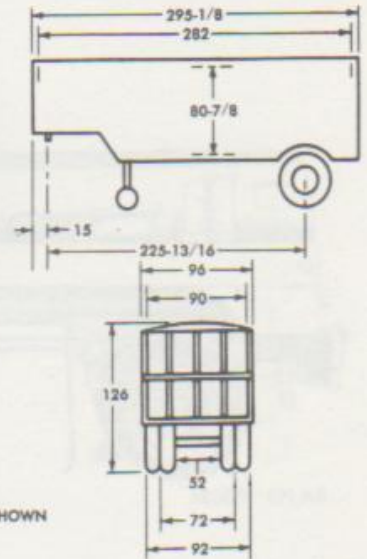
108-B NT

SEMITRAILER, ANIMAL AND CARGO, 6-TON, 2-WHEEL

(Trailer Co. of America, Model TD, 32G, 1940-41)



RA PD 172628



NOTE: ALL DIMENSIONS SHOWN ARE IN INCHES

Technical Manual: 10-1110; Supply Catalog: SNL G-580.

Classification: Standard.

Purpose: To transport 8 men and 8 horses and equipment for both, including rifles and saddles.

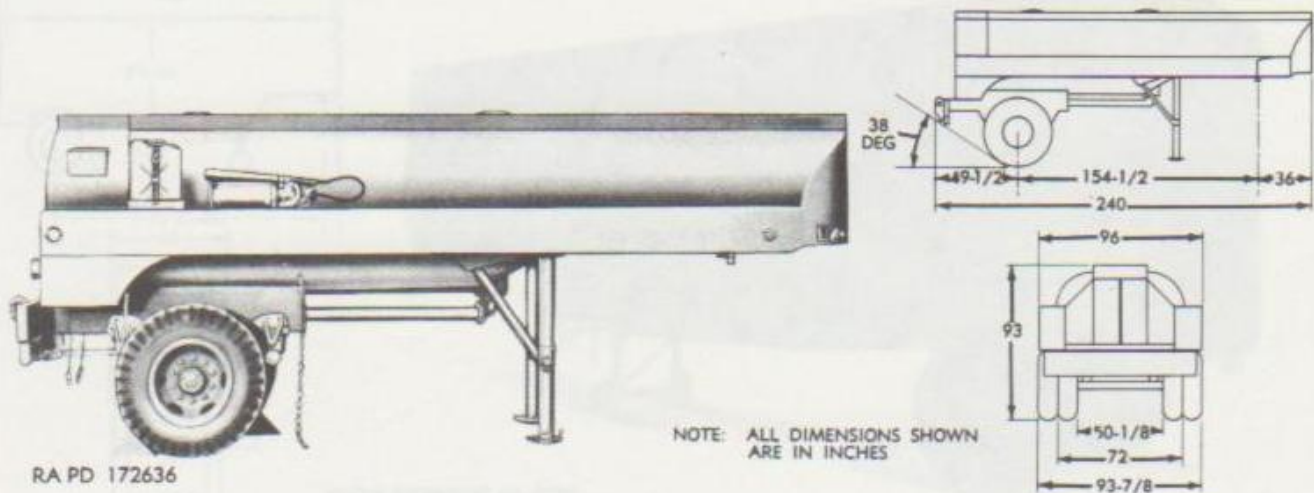
GENERAL DATA

Weight (lb)	Net 8,580
Payload.....	on inferior roads 12,000; on highway 16,020
Gross.....	on inferior roads 20,580; on highway 24,600
Weight distribution (lb):	
Empty.....	fifth wheel 3,710; axle 4,870
Loaded:	
On inferior roads.....	fifth wheel 8,930; axle 11,650
On highway.....	fifth wheel 10,800; axle 13,800
Tires	Ply 10; Size 9.00 x 20; Pressure (psi) 65
Shipping dimensions, uncrated	(cu ft) 2,070; (sq ft) 197
Vehicle dimensions:	
Ground clearance.....	(in.) 14 1/4
Loading height, empty.....	(in.) 45 1/4
Height of fifth wheel, landing gear down.....	(in.) 49 1/4
Cargo space.....	(cu ft) 1,064
Brakes:	
Manufacturer; Bendix-Westinghouse.....	Type; air
Parking brake, type.....	none
Minimum towing vehicle to be used	truck, tractor, 2 1/4-ton, 4 x 2

ADDITIONAL DATA

Equipped w/differential dual wheels.

SEMITRAILER, GASOLINE TANK, 6-TON, 2-WHEEL, 2,000-GAL., M30 (Davis Welding, Heil, Lufkin, Keystone, Krieger Steel, Independent, Progress, Model ST62M)



Technical Manual: 9-891; Supply Catalog: SNL G-678.

Classification: Substitute Standard.

Purpose: To transport and dispense gasoline.

GENERAL DATA

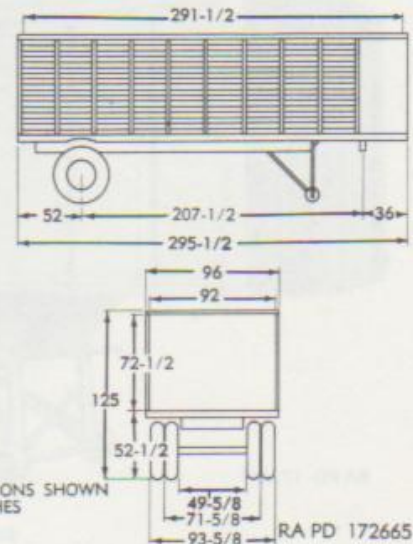
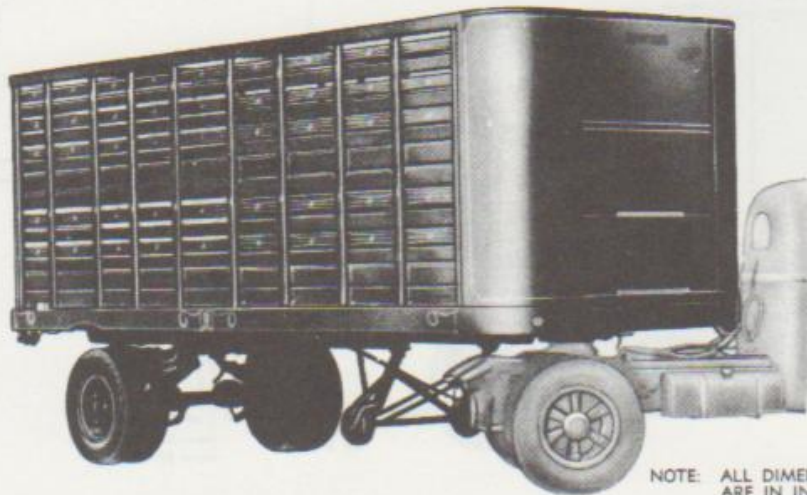
Weight (lb)	Net 6,750; Payload 12,200; Gross 18,950
Weight distribution (lb):	
Empty.....	fifth wheel 2,750; axle 4,000
Loaded.....	fifth wheel 7,750; axle 11,200
Tires	Ply 12; Size 9.00 x 20; Pressure (psi) 65
Shipping dimensions, uncrated	(cu ft) 1,790; (sq ft) 161
Vehicle dimensions:	
Ground clearance.....	(in.) 19½
Pintle height, empty.....	(in.) 36
Height of fifth wheel, landing gear down.....	(in.) 49¾
Brakes:	
Manufacturer; Bendix-Westinghouse.....	Type; air
Parking brake, type.....	none
Minimum towing vehicle to be used	truck, tractor, 4- to 5-ton, 4 x 4

ADDITIONAL DATA

20 gpm pump is powered by Briggs and Stratton air-cooled engine.

SEMITRAILER, STAKE AND PLATFORM, 6-TON, 2-WHEEL

(Fruehauf, Models WLS220S, 1941; WLS222, 1942; WLS223, 1942; WLS224, 1942-43; WLS224S, 1942; WLS225, 1942; WLS226, 1943; WLS226S, 1943; WLS227, 1943; WLS228S, 1943; WLS229, 1943; WLS230S, 1943, and Springfield, Model 939, 1943)



NOTE: ALL DIMENSIONS SHOWN ARE IN INCHES

RA PD 172665

Technical Manual: 10-1294; Supply Catalog: SNL G-581.

Vehicle illustrated: Fruehauf Model WLS226.

Classification: Nonclassified.

Purpose: To transport general cargo.

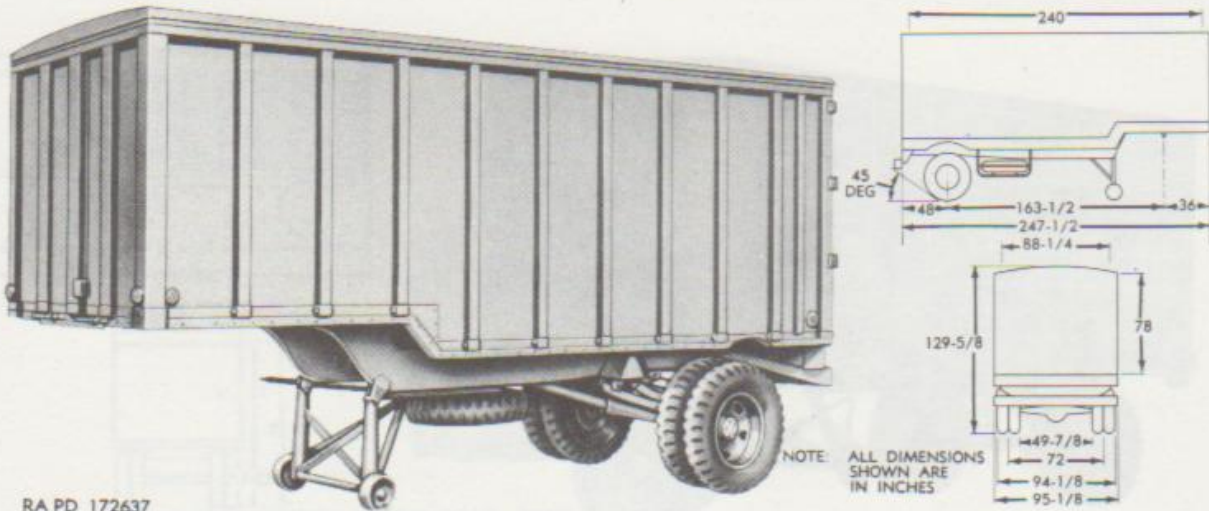
GENERAL DATA

Weight (lb) Net.....	8,170
Payload.....	on inferior roads 12,000; on highway 17,780
Gross.....	on inferior roads 20,170; on highway 25,950
Weight distribution (lb):	
Empty.....	fifth wheel 2,800; axle 5,370
Loaded:	
On inferior roads.....	fifth wheel 9,389; axle 10,881
On highway.....	fifth wheel 12,144; axle 13,800
Tires.....	Ply 10; Size 9.00 x 20; Pressure (psi) 65
Shipping dimensions, uncrated.....	(cu ft) 2,060; (sq ft) 197
Vehicle dimensions:	
Ground clearance.....	(in.) 15 3/4
Loading height, empty.....	(in.) 52 1/2
Height of fifth wheel, landing gear down.....	(in.) 49 3/4
Cargo space.....	(cu ft) 1,130
Brakes:	
Manufacturer; Fruehauf.....	Type; air
Parking brake, type.....	none
Minimum towing vehicle to be used.....	truck, tractor, 4- to 5-ton, 4 x 4

ADDITIONAL DATA

SEMITRAILER, VAN, 6-TON, 2-WHEEL

(American Body, Model DF233V; Carter, Model C15935A; Dorsey, Model E14; Kentucky, Model 1-ORD; Olson, Model KV10; Strick, Model 400W; Timpte, Model T8D; Utility, Model GSW4 (KD), 1943)



Technical Manual: 9-888; Supply Catalog: SNLG-665.

Classification: Standard.

Purpose: To transport general cargo.

GENERAL DATA

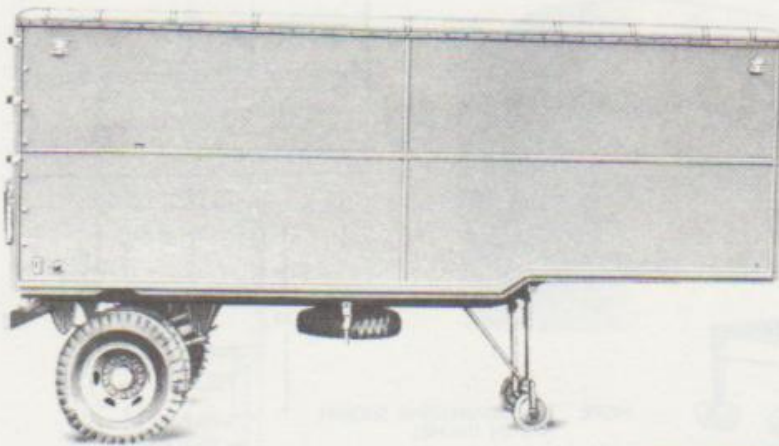
Weight (lb).....	Net 7,200
Payload.....	on inferior roads 12,000; on highway 18,500
Gross.....	on inferior roads 19,200; on highway 25,700
Weight distribution (lb):	
Empty.....	fifth wheel 3,350; axle 3,850
Loaded:	
On inferior roads.....	fifth wheel 8,900; axle 10,300
On highway.....	fifth wheel 11,900; axle 13,800
Tires.....	Ply 10; Size 9.00 x 20; Pressure (psi) 70
Shipping dimensions, uncrated.....	(cu ft) 1,780; (sq ft) 165
Vehicle dimensions:	
Ground clearance.....	(in.) 15 3/4
Loading height, empty.....	(in.) 46 3/4
Height of fifth wheel, landing gear down.....	(in.) 50
Body inside dimensions (in.).....	Length 240; Width 88 1/4; Height 78
Cargo space.....	(cu ft) 875
Brakes:	
Manufacturer; Bendix-Westinghouse.....	Type; air
Parking brake, type.....	none
Minimum towing vehicle to be used.....	truck, tractor, 4- to 5-ton, 4 x 4

ADDITIONAL DATA.

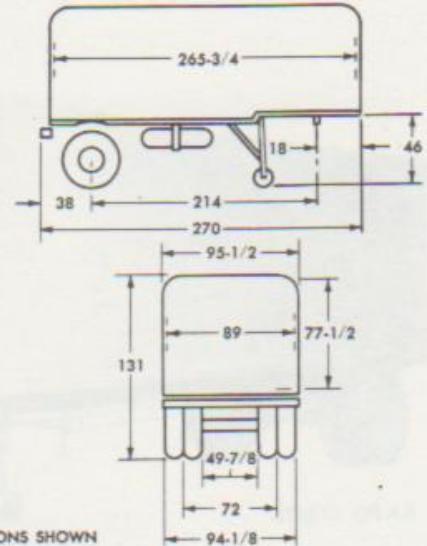
Bodies are knock-down type.

SEMITRAILER, VAN, 6-TON, 2-WHEEL

(Gerstenslager, Model W8125, 1942)



RA PD 137817



NOTE: ALL DIMENSIONS SHOWN ARE IN INCHES

Technical Manual: 10-1315; Supply Catalog: SNL G-664.

Classification: Standard.

Purpose: To transport general cargo.

GENERAL DATA

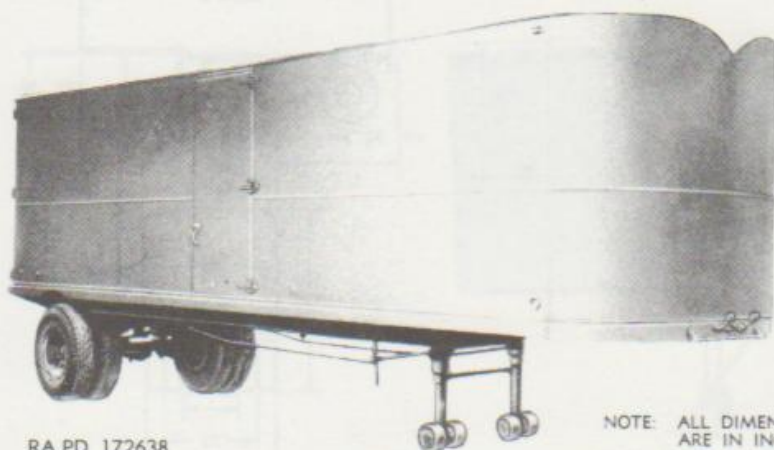
Weight (lb)	Net 7,500
Payload	on inferior roads 12,000; on highway 13,600
Gross	on inferior roads 19,500; on highway 21,100
Weight distribution (lb):	
Empty	fifth wheel 2,310; axle 5,190
Loaded:	
On inferior roads.....	fifth wheel 6,740; axle 12,760
On highway.....	fifth wheel 7,330; axle 13,770
Tires	Ply 10; Size 9.00 x 20; (Pressure (psi) 65
Shipping dimensions, uncrated	(cu ft) 1,819; (sq ft) 166
Vehicle dimensions:	
Ground clearance.....	(in.) 13
Loading height.....	(in.) 50 ³ / ₄
Height of fifth wheel, landing gear down.....	(in.) 48 ³ / ₄
Cargo space.....	(cu ft) 1,060
Brakes:	
Manufacturer; Bendix-Westinghouse.....	Type; air
Parking brake.....	none
Minimum towing vehicle to be used	truck, tractor, 2 ³ / ₄ ton, 4 x 2

PERFORMANCE

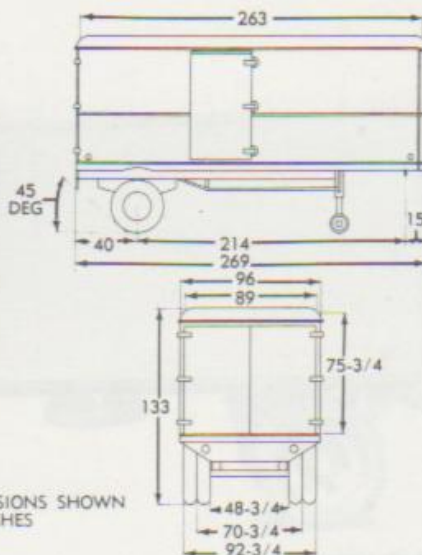
Procured with wood bodies and steel bodies. Steel body increases net and gross weights 500 lb.

SEMITRAILER, VAN, 6-TON, 2-WHEEL

(Gramm, Model DF-75)



RA PD 172638



NOTE: ALL DIMENSIONS SHOWN ARE IN INCHES

Technical Manual: 10-1217; Supply Catalog: SNL G-584.

Classification: Standard.

Purpose: To transport general cargo.

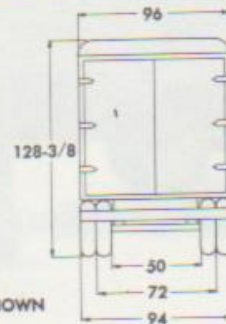
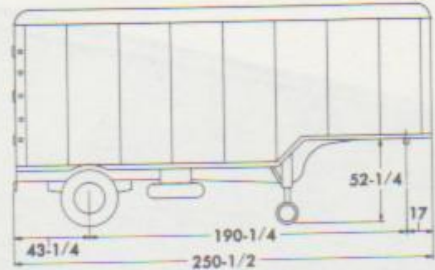
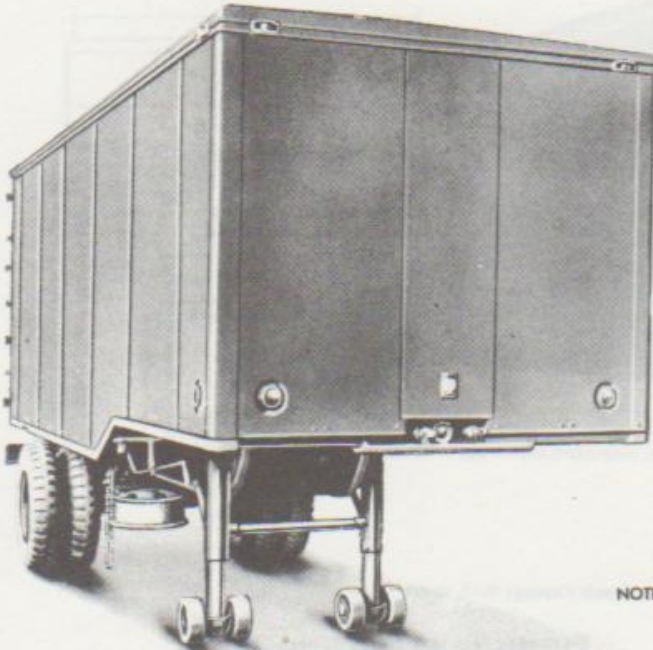
GENERAL DATA

Weight (lb).....	Net 8,000
Payload.....	on inferior roads 12,000; on highway 13,870
Gross.....	on inferior roads 20,000; on highway 21,870
Weight distribution (lb):	
Empty.....	fifth wheel 2,960; axle 5,040
Loaded:	
On inferior roads.....	fifth wheel 7,380; axle 12,620
On highway.....	fifth wheel 8,070; axle 13,800
Tires.....	Ply 10; Size 9.00 x 30; Pressure (psi) 65
Shipping dimensions, uncrated.....	(cu ft) 1,990; (sq ft) 179
Vehicle dimensions:	
Ground clearance.....	(in.) 14
Loading height, empty.....	(in.) 49
Height of fifth wheel, landing gear down.....	(in.) 49 3/4
Cargo space.....	(cu ft) 1,020
Brakes:	
Manufacturer; Bendix-Westinghouse.....	Type: air
Parking brake, type.....	none
Minimum towing vehicle to be used.....	truck, tractor, 2 1/2 ton, 4 x 2

ADDITIONAL DATA

SEMITRAILER, VAN, 6-TON, 2-WHEEL

(Gramm, Checker, American Bantam, Carolina, Model STV620)



NOTE: ALL DIMENSIONS SHOWN ARE IN INCHES

RA PD 137790

Technical Manual: 9-888; Supply Catalog: SNL G-707.

Classification: Standard.

Purpose: To transport general cargo.

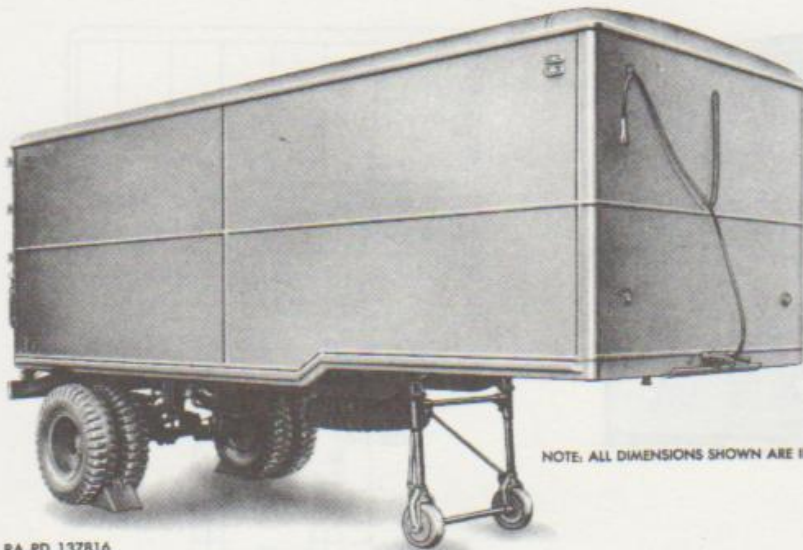
GENERAL DATA

Weight (lb).....	Net 7,400
Payload.....	on inferior roads 12,000; on highway 18,000
Gross.....	on inferior roads 19,400; on highway 22,400
Weight distribution (lb):	
Empty.....	fifth wheel 2,400; axle 5,000
Loaded:	
On inferior roads.....	fifth wheel 7,500; axle 5,000
On highway.....	fifth wheel 8,800; axle 13,600
Tires.....	Ply 10; Size 9.00 x 20; Pressure (psi) 65
Shipping dimensions, uncrated.....	(cu ft) 1,795; (sq ft) 167
Vehicle dimensions:	
Ground clearance.....	(in.) 17
Loading height, empty.....	(in.) 48 1/4
Body inside dimensions (in.)	
Length 240.....	Width 88; Height: rear 78, front 68 3/4
Cargo space.....	(cu ft) 899
Height to fifth wheel with landing gear down.....	(in.) 52 1/4
Brakes:	
Manufacturer; Bendix-Westinghouse.....	Type: air
Parking brake.....	none
Minimum towing vehicle to be used.....	truck, tractor, 2 1/2-ton, 4 x 2

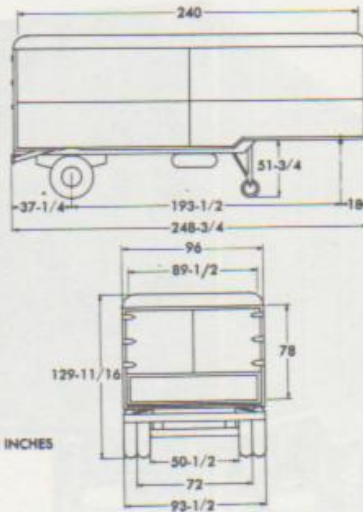
ADDITIONAL DATA

SEMITRAILER, VAN, 6-TON, 2-WHEEL

(Highway, Model SKD 2181)



RA PD 137816



NOTE: ALL DIMENSIONS SHOWN ARE IN INCHES

Technical Manual: 10-1169; Supply Catalog: SNL G-594.

Classification: Standard.

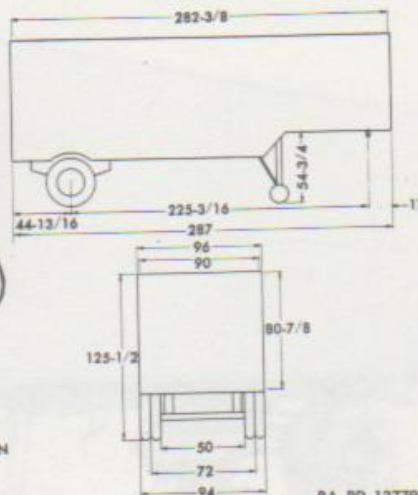
Purpose: To transport general cargo.

GENERAL DATA

Weight (lb) Net.....	7,170
Payload.....on inferior roads 12,000; on highway 16,000	
Gross.....on inferior roads 19,170; on highway 23,170	
Weight distribution (lb):	
Empty.....	fifth wheel 2,090; axle 5,080
Loaded:	
On inferior roads.....	fifth wheel 7,706; axle 11,464
On highway.....	fifth wheel 9,580; axle 13,590
Tires.....	Ply 10; Size 9.00 x 20; Pressure (psi) 65
Shipping dimensions, uncrated.....	(cu ft) 1,797; (sq ft) 166
Vehicle dimensions:	
Ground clearance.....	(in.) 14 3/4
Loading height, empty.....	(in.) 60 3/4
Height of fifth wheel, landing gear down.....	(in.) 51 3/4
Cargo space.....	(cu ft) 970
Brakes:	
Manufacturer; Bendix-Westinghouse.....	Type; air
Parking brake.....	none
Minimum towing vehicle to be used.....	truck, tractor, 2 1/2-ton, 4 x 2

ADDITIONAL DATA

SEMITRAILER, VAN, 6-TON, 2-WHEEL (Highway, Model SKD 2215)



NOTE: ALL DIMENSION SHOWN
ARE IN INCHES

RA PD 137795

Technical Manual: 10-1171; Supply Catalog: SNL G-525.

Classification: Standard.

Purpose: To transport general cargo.

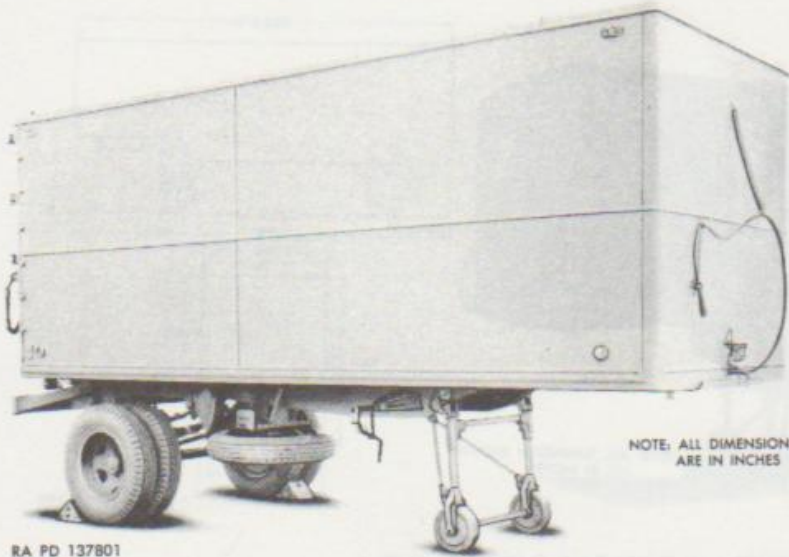
GENERAL DATA

Weight (lb) Net.....	8,580
Payload.....	on inferior roads 12,000; on highway 13,500
Gross.....	on inferior roads 20,580; on highway 22,080
Weight distribution (lb):	
Empty.....	fifth wheel 2,760; axle 5,820
Loaded:	
On inferior roads.....	fifth wheel 7,720; axle 12,860
On highway.....	fifth wheel 8,350; axle 13,730
Tires.....	Ply 10; Size 9.00 x 20; Pressure (psi) 65
Shipping dimensions, uncrated.....	(cu ft) 2,016; (sq ft) 192
Vehicle dimensions:	
Ground clearance.....	(in.) 14 3/4
Loading height, empty.....	(in.) 40 3/4
Height of fifth wheel, landing gear down.....	(in.) 49 1/4
Cargo space.....	(cu ft) 1,190
Brakes:	
Manufacturer; Bendix-Westinghouse.....	Type; air
Parking brake.....	none
Minimum towing vehicle to be used.....	truck, tractor, 2 1/4-ton, 4 x 2

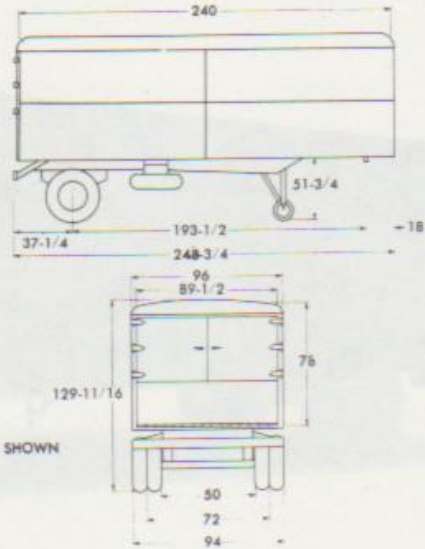
ADDITIONAL DATA

This semitrailer equipped with differential dual wheels.

SEMITRAILER, VAN, 6-TON, 2-WHEEL (Highway, Model SKD 2270)



RA PD 137801



NOTE: ALL DIMENSIONS SHOWN
ARE IN INCHES

Technical Manual: 10-1381; Supply Catalog: SNL G-594.

Classification: Standard.

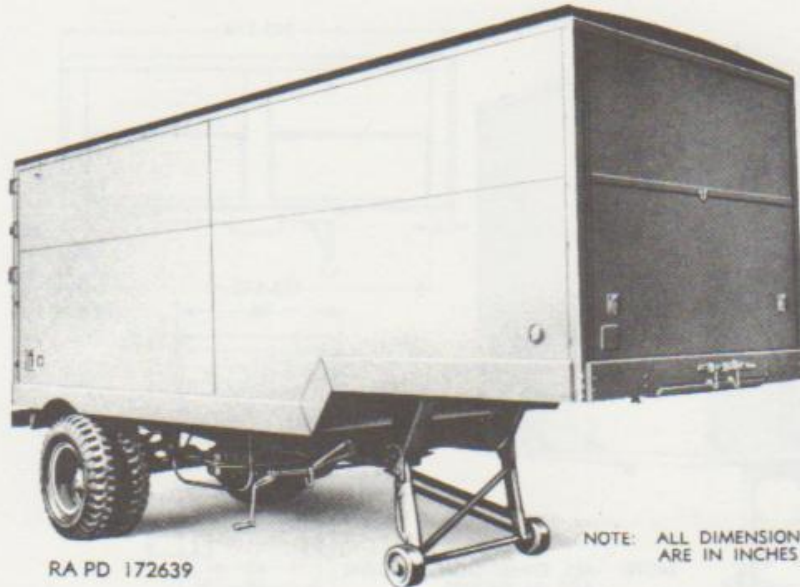
Purpose: To transport general cargo.

GENERAL DATA

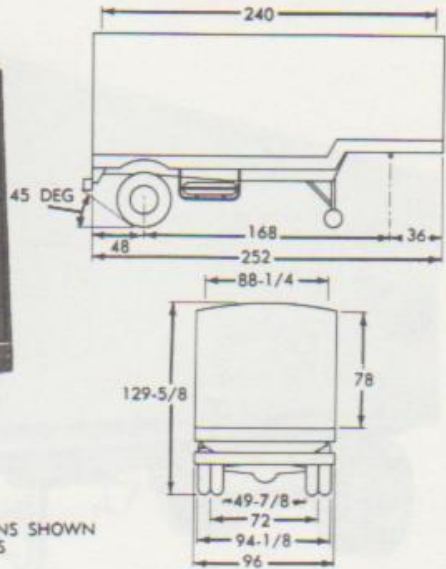
Weight (lb) Net	7,267
Payload.....	on inferior roads 12,000; on highway 16,000
Gross.....	on inferior roads 19,267; on highway 23,267
Weight distribution (lb):	
Empty.....	fifth wheel 2,067; axle 5,200
Loaded:	
On inferior roads.....	fifth wheel 7,683; axle 11,684
On highway.....	fifth wheel 9,557; axle 13,710
Tires	Ply 10; Size 9.00 x 20; Pressure (psi) 65
Shipping dimensions, uncrated	(cu ft) 1,797; (sq ft) 166
Vehicle dimensions:	
Ground clearance.....	(in.) 14 3/4
Loading height, empty.....	(in.) 50 7/8
Height of fifth wheel, landing gear down.....	(in.) 51 3/4
Cargo space.....	(cu ft) 970
Brakes:	
Manufacturer; Bendix-Westinghouse.....	Type: air
Parking brake.....	none
Minimum towing vehicle to be used	truck, tractor, 2 1/2-ton, 4 x 2

ADDITIONAL DATA

SEMITRAILER, VAN, 6-TON, 2-WHEEL (Olson, Model LV 10)



RA PD 172639



NOTE: ALL DIMENSIONS SHOWN
ARE IN INCHES

Technical Manual: 9-888; Supply Catalog: SNL G-545.

Classification: Standard.

Purpose: To transport general cargo.

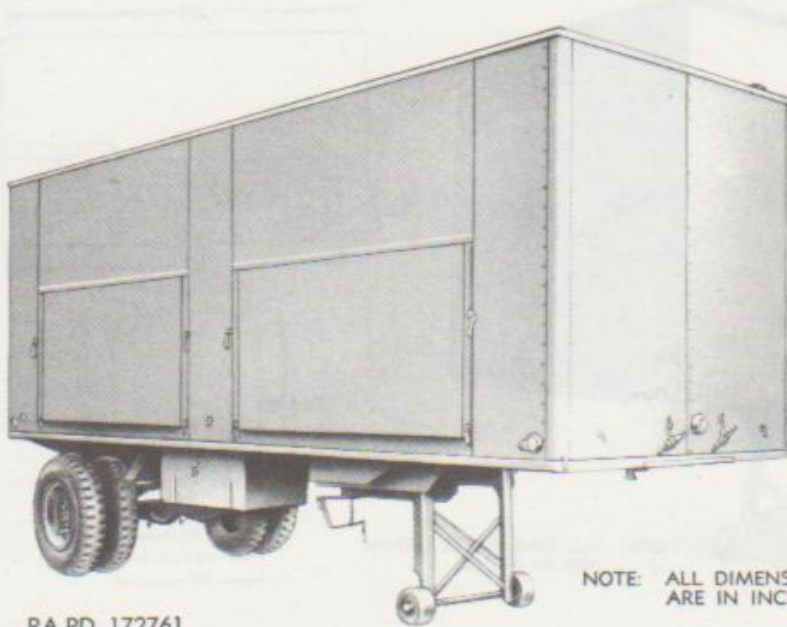
GENERAL DATA

Weight (lb) Net.....	7,970
Payload.....	on inferior roads 12,000; on highway 17,830
Gross.....	on inferior roads 19,970; on highway 25,800
Weight distribution (lb):	
Empty.....	fifth wheel 3,720; axle 4,250
Loaded:	
On inferior roads.....	fifth wheel 9,270; axle 10,700
On highway.....	fifth wheel 12,000; axle 13,800
Tires.....	Ply 10; Size 9.00 x 20; Pressure (psi) 70
Shipping dimensions, uncrated.....	(cu ft) 1,815; (sq ft) 168
Vehicle dimensions:	
Ground clearance.....	(in.) 14 3/4
Loading height, empty.....	(in.) 48 3/4
Height of fifth wheel, landing gear down.....	(in.) 49 3/4
Body inside dimensions (in.).....	Length 240; Width 88 1/4; Height 78
Cargo space.....	(cu ft) 875
Brakes:	
Manufacturer; Bendix-Westinghouse.....	Type: air
Parking brake, type.....	none
Minimum towing vehicle to be used.....	truck, tractor, 4- to 5-ton, 4 x 4

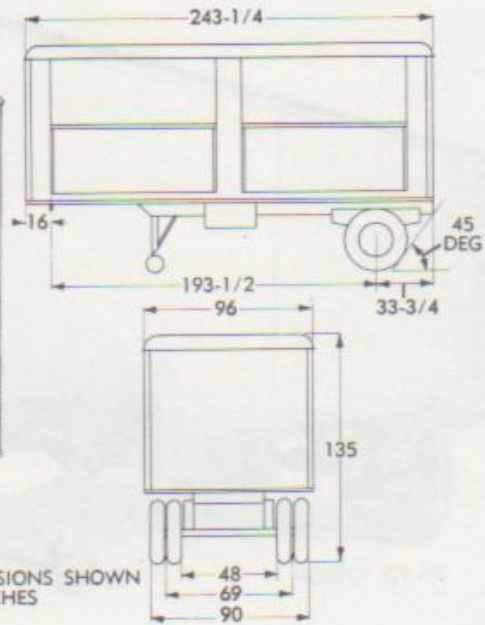
ADDITIONAL DATA

SEMITRAILER, VAN, 6-TON, 2-WHEEL

(Trailmobile, Model B34H, 1941-42)



RA PD 172761



NOTE: ALL DIMENSIONS SHOWN ARE IN INCHES

Supply Catalog: SNL G-592.

Classification: Standard.

Purpose: To transport general cargo.

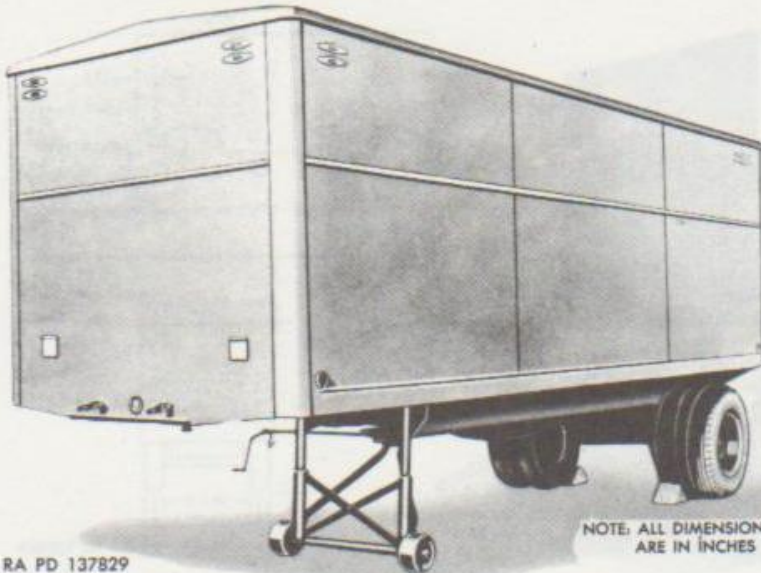
GENERAL DATA

Weight (lb).....	Net 7,050
Payload.....	on inferior roads 12,000; on highway 16,800
Gross.....	on inferior roads 19,050; on highway 23,850
Weight distribution (lb):	
Empty.....	fifth wheel 2,260; axle 4,790
Loaded:	
On inferior roads.....	fifth wheel 7,860; axle 11,190
On highway.....	fifth wheel 10,050; axle 13,800
Tires.....	Ply 10; Size 9.00 x 20; Pressure (psi) 65
Shipping dimensions, uncrated.....	(cu ft) 1,820; (sq ft) 162
Vehicle dimensions:	
Ground clearance.....	(in.) 17
Loading height, empty.....	(in.) 48
Height of fifth wheel, landing gear down.....	(in.) 45 3/4
Body inside dimensions (in.):	
Length 240.....	Width 89 1/4; Height 78 1/2
Cargo space.....	(cu ft) 980
Brakes:	
Manufacturer; Bendix-Westinghouse.....	Type; air
Parking brake, type.....	wheel chocks
Minimum towing vehicle to be used.....	Truck, tractor 2 1/2-ton, 4 x 2

ADDITIONAL DATA

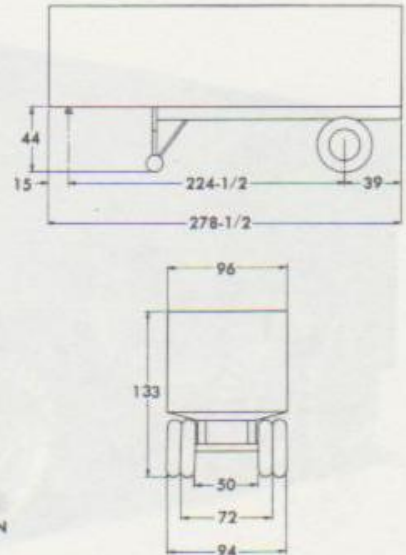
SEMITRAILER, VAN, 6-TON, 2-WHEEL

(Utility, Model G-SW4)



RA PD 137829

NOTE: ALL DIMENSIONS SHOWN ARE IN INCHES



Technical Manual: 9-888; Supply Catalog: SNL G-888.

Classification: Standard.

Purpose: To transport general cargo.

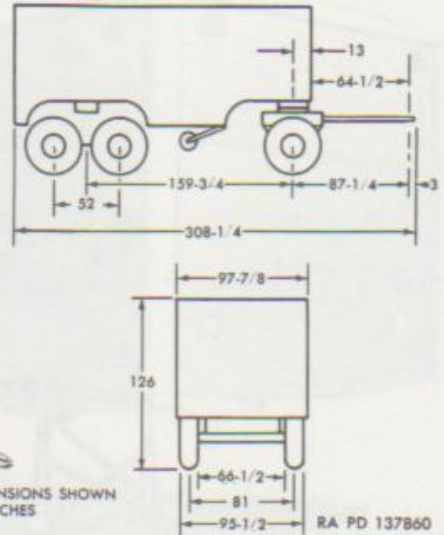
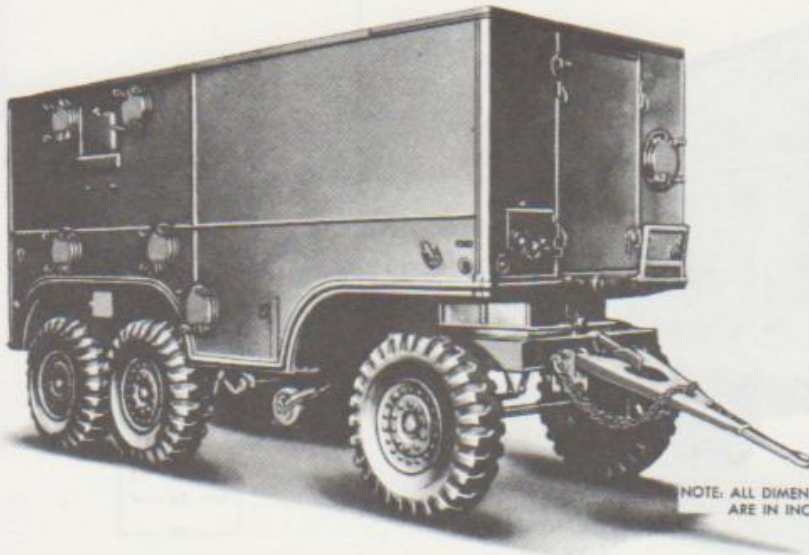
GENERAL DATA

Weight (lb).....	Net 7,550
Payload.....	on inferior roads 12,450; on highway 18,000
Gross.....	on inferior roads 20,000; on highway 25,550
Weight distribution (lb):	
Empty.....	fifth wheel 2,800; axle 4,750
Loaded:	
On inferior roads.....	fifth wheel 9,025; axle 10,975
On highway.....	fifth wheel 11,800; axle 13,750
Tires.....	Ply 10; Size 9.00 x 20; Pressure (psi) 65
Shipping dimensions, uncrated.....	(cu ft) 2,090; (sq ft) 186
Vehicle dimensions:	
Ground clearance.....	(in.) 15
Loading height, empty.....	(in.) 51 3/4
Body inside dimensions (in.):	
Length 270.....	Width 89 3/4; Height 78
Cargo space.....	(cu ft) 1,096
Height of fifth wheel, landing gear down.....	(in.) 44
Brakes:	
Manufacturer; Timken.....	Type; air
Parking brake, type.....	none
Towing vehicle to be used.....	truck, tractor, 4- to 5-ton, 4 x 4

ADDITIONAL DATA

SEMITRAILER, VAN, 7-TON, 4-WHEEL, M26

(Fruehauf, w/DOLLY, 7-ton, 2-wheel, trailer converter, Model C2); (Signal Corps Model V9/MPC-1)



NOTE: ALL DIMENSIONS SHOWN ARE IN INCHES

RA PD 137860

Technical Manual: 9-884; Supply Catalog: SNL G-713.

Classification: Standard.

Purpose: To transport gun computer M8N and M8P.

GENERAL DATA

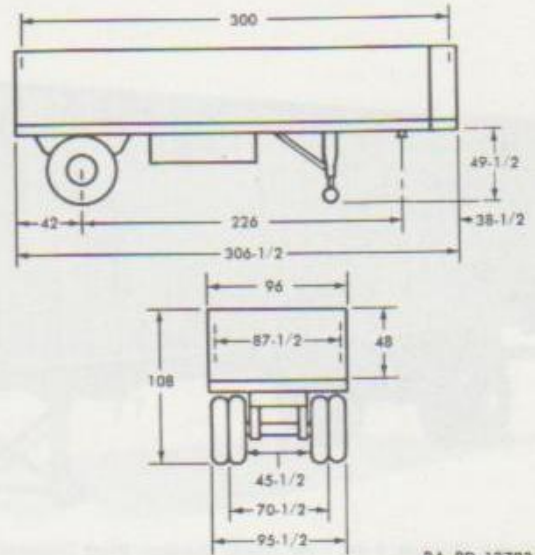
Weight (lb):	
As semitrailer.....	Net 13,030; Payload 14,000; Gross 27,030
W/dolly.....	Net 15,500; Payload 14,000; Gross 29,500
Weight distribution (lb):	
As semitrailer.....	fifth wheel 7,200; bogie axle (each) 9,915
W/dolly.....	dolly axle 9,670; bogie axle (each) 9,915
Tires.....	Ply 12; Size 14.00 x 20; Pressure (psi) 90
Shipping dimensions, uncrated.....	(cu ft) 2,210 ;(sq ft) 210
Vehicle dimensions:	
Ground clearance.....	(in.) 14
Loading height.....	(in.) 35
Pintle height.....	(in.) 24
Height of fifth wheel, landing gear down.....	(in.) 48 ³ / ₄
Body inside dimensions (in.):	
Length 227 ¹ / ₄	Width 90 ³ / ₄ ; Height 84 ³ / ₄
Cargo space.....	(cu ft) 1,010
Brakes:	
Manufacturer; Fruehauf.....	Type; air
Parking brake.....	none
Minimum towing vehicles to be used	
truck, tractor, 4- to 5-ton, 4 x 4; truck, 4-ton, 6 x 6	

ADDITIONAL DATA

Van body watertight for amphibious operations.
Weight of dolly 2,470 lb.

SEMITRAILER, STAKE AND PLATFORM, 10-TON, 2-WHEEL

(A. J. Miller, American Body, Carter, Coleman, Dorsey, Fruehauf, Highway, Keystone, Kreiger Steel, Omaha Std Body, Oneida, Pike, Queen City Trailer, Springfield Trailer, Strick, Timpte, Trailer Co of America, Utility, Winter-Weiss, Models 1025 and SKD 2361)



RA PD 137834

Technical Manual: 9-892; Supply Catalog: SNL G-676.

Vehicle illustrated: Highway Trailer Co.
Classification: Standard.

Purpose: Used by Transportation Corps and Ordnance to transport general cargo.

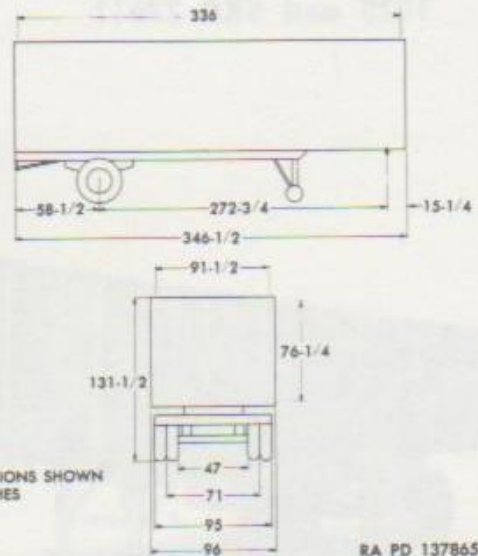
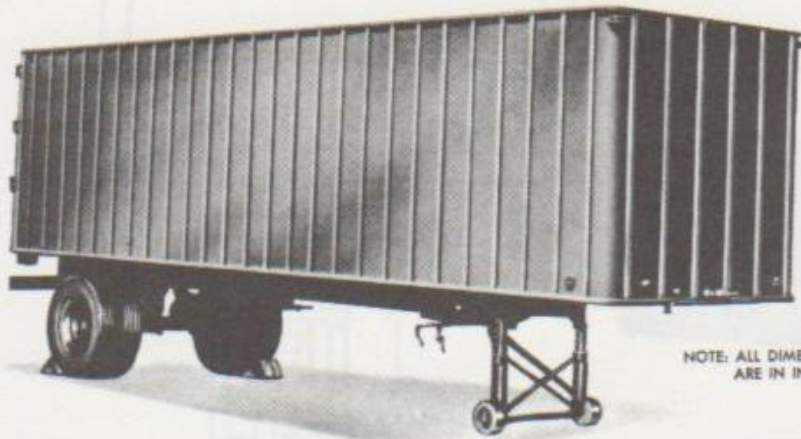
GENERAL DATA

Weight (lb): Net.....	9,430
Payload.....on inferior roads 20,000; on highway 22,000	
Gross.....on inferior roads 29,430; on highway 31,430	
Weight distribution (lb):	
Empty.....fifth wheel 3,390; axle 6,040	
Loaded:	
On inferior roads.....fifth wheel 12,520; axle 16,910	
On highway.....fifth wheel 13,450; axle 17,980	
Tires.....Ply 14; Size 11.00 x 20; Pressure (psi) 80	
Shipping dimensions, uncrated.....(cu ft) 1,785; (sq ft) 204	
Vehicle dimensions:	
Ground clearance.....(in.) 16	
Loading height.....(in.) 53 3/4	
Height of fifth wheel, landing gear down.....(in.) 52 1/4	
Cargo space.....(cu ft) 730	
Brakes:	
Manufacturer; Timken.....Type; air	
Parking brakes.....none	
Minimum towing vehicle to be used.....truck, tractor, 5-ton, 4 x 2	

ADDITIONAL DATA

SEMITRAILER, VAN, 11-TON, 2-WHEEL

(Black Diamond, Model SC728 (28 ft) 1944; Fruehauf, Model FF22BL (28 ft); Kentucky, Model C; Omaha Standard Body, Model F16 (28 ft) 1944; Reliance, Model STV1128; Trailer Co. of America, Model B34H15 (28 ft) 1944)



RA PD 137865

Technical Manuals: 9-894, 9-896; Supply Catalogs: Black Diamond: SNL G-682; Fruehauf: SNL G-723; Kentucky: SNL G-706; Omaha Standard Body: SNL G-677; Reliance: SNL-G712; Trailer Co. of America: SNL G-681.

Vehicle illustrated: Black Diamond.
Classification: Standard.

Purpose: To transport general cargo.

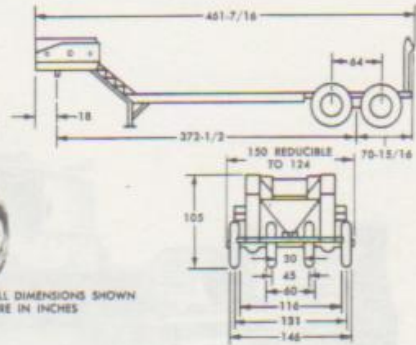
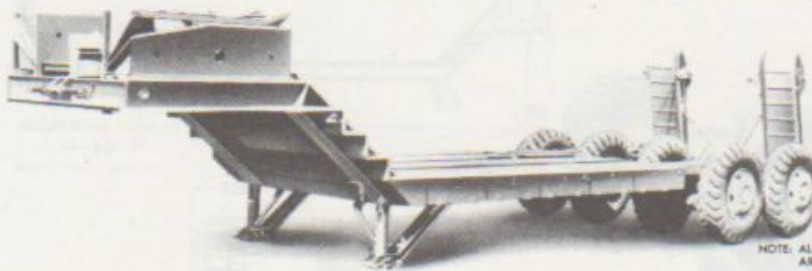
GENERAL DATA

Weight (lb):	
Net.....	8,830
Payload.....on highway	22,000; Gross 30,830
Weight distribution (lb):	
Empty.....	fifth wheel 2,740; axle 6,090
Loaded; on highway.....	fifth wheel 13,070; axle 17,760
Tires.....	Ply 12; Size 10.00 x 20; Pressure (psi) 70
Shipping dimensions, uncrated.....	(cu ft) 2,532; (sq ft) 252
Vehicle dimensions:	
Ground clearance.....	(in.) 16½
Loading height, empty.....	(in.) 51¾
Height of fifth wheel, landing gear down.....	(in.) 49¾
Cargo space.....	(cu ft) 1,355
Brakes:	
Manufacturer; Bendix-Westinghouse.....	Type; air
Parking brake.....	none
Minimum towing vehicle to be used.....	truck, tractor, 4- to 5-ton, 4 x 4

ADDITIONAL DATA

SEMITRAILER, TRANSPORTER, 40-TON, 8-WHEEL, M-15

(Used w/TRUCK, 12-ton, 6 x 6, tractor, M26 or M26A1 as component of TRUCK-TRAILER, 40-ton, tank recovery, M25)



NOTE: ALL DIMENSIONS SHOWN ARE IN INCHES

RA PD 137723

Technical Manuals: 9-767, 9-1767E; Supply Catalog: SNI G-160.

Classification: Limited Standard.

Purpose: To recover and transport damaged tanks and matériel up to 80,000 pounds.

GENERAL DATA

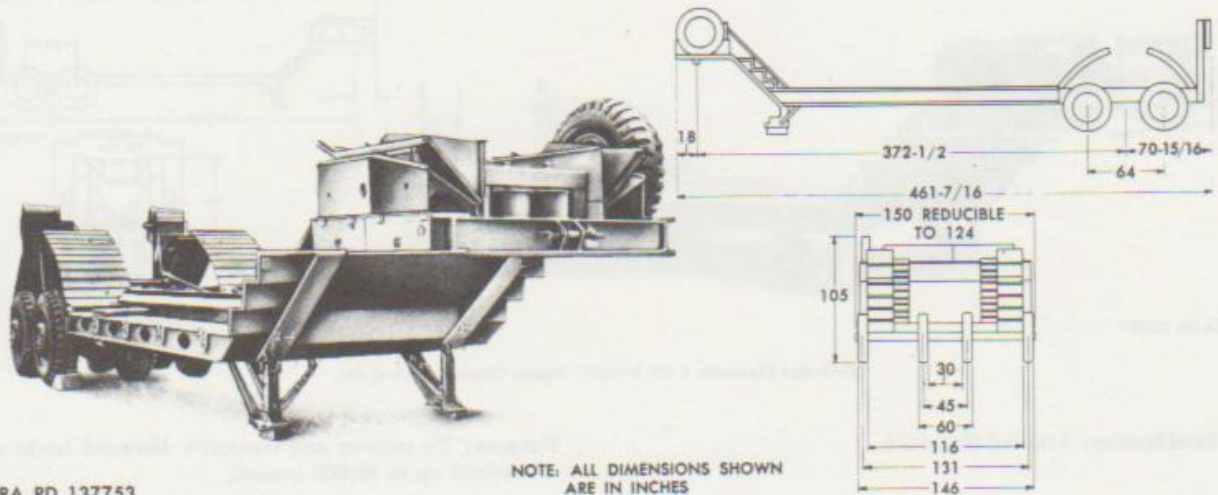
Weight (lb).....Net 42,370; Payload 80,000; Gross 122,370
 Weight distribution (lb):
 Empty: fifth wheel 14,170.....8 rear wheels 28,200
 Loaded: fifth wheel 52,670.....8 rear wheels 69,700
 Tires.....Ply 20; Size 14.00 x 24; Pressure (psi) 90
 Shipping dimensions, uncrated.....(cu ft) 3,490; (sq ft) 398
 Vehicle dimensions:
 Ground clearance.....(in.) 28
 Loading height.....(in.) 40½
 Height of fifth wheel, landing gear down.....(in.) 67¾
 Brakes:
 Manufacturer; Fruehauf.....Type; air
 Parking brake.....none
 Towing vehicle to be used.....truck, tractor, M26 or M26A1

ADDITIONAL DATA

Rear wheels retractable to reduce vehicle width from 150 to 124 in. for shipment.

SEMITRAILER, TRANSPORTER, 45-TON, 8-WHEEL, M15A1

(Used w/TRUCK, 12-ton, 6 x 6, tractor, M26 or M26A1 as component of TRUCK-TRAILER, 40-ton, tank recovery, M25)



RA PD 137753

NOTE: ALL DIMENSIONS SHOWN ARE IN INCHES

Technical Manuals: 9-767, 9-1767E; Supply Catalog: SNL G-190.

Classification: Substitute Standard.

Purpose: To recover and transport damaged tanks and matériel up to 90,000 pounds.

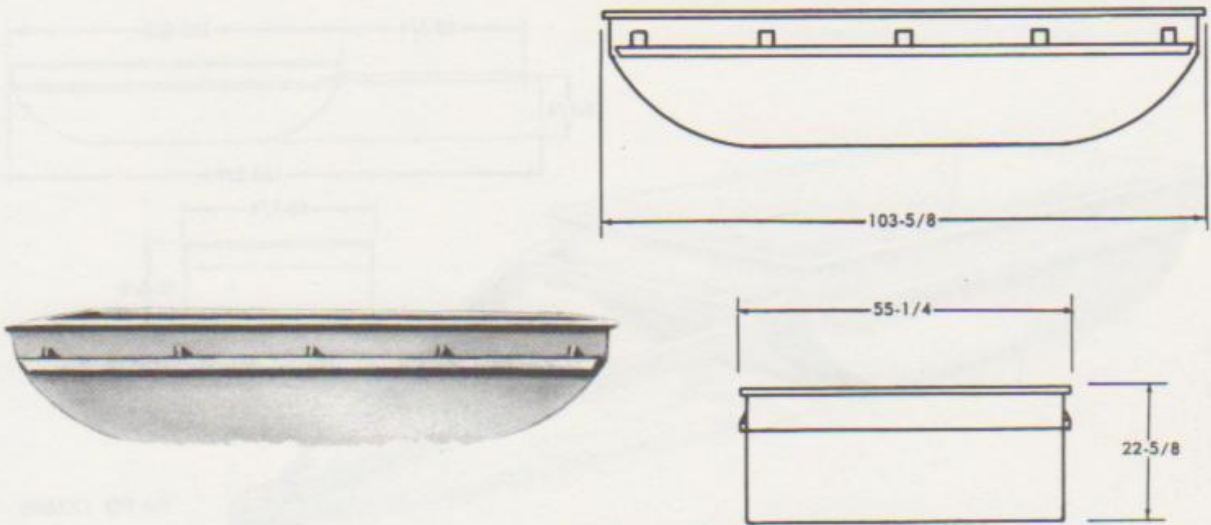
GENERAL DATA

Weight (lb).....	Net 42,370; Payload 90,000; Gross 132,370
Weight distribution (lb):	
Empty.....	fifth wheel 14,170; 8 rear wheels 28,200
Loaded.....	fifth wheel 57,500; 8 rear wheels 74,870
Tires.....	Ply 20; Size 14.00 x 24; Pressure (psi) 90
Shipping dimensions, uncrated.....	(cu ft) 3,490; (sq ft) 308
Vehicle dimensions:	
Ground clearance.....	(in.) 28
Loading height.....	(in.) 40½
Height of fifth wheel, landing gear down.....	(in.) 67¾
Brakes:	
Manufacturer; Fruehauf.....	Type; air
Parking brake.....	none
To wing vehicle to be used.....	truck, tractor, M26 or M26A1

ADDITIONAL DATA

Rear wheels retractable to reduce width from 150 to 124 in. for shipment.

SLED, CARGO, 1-TON, M1



NOTE: ALL DIMENSIONS SHOWN
ARE IN INCHES

RA PD 172686

Supply Catalog: SNL G-721.

Classification: Substitute Standard.

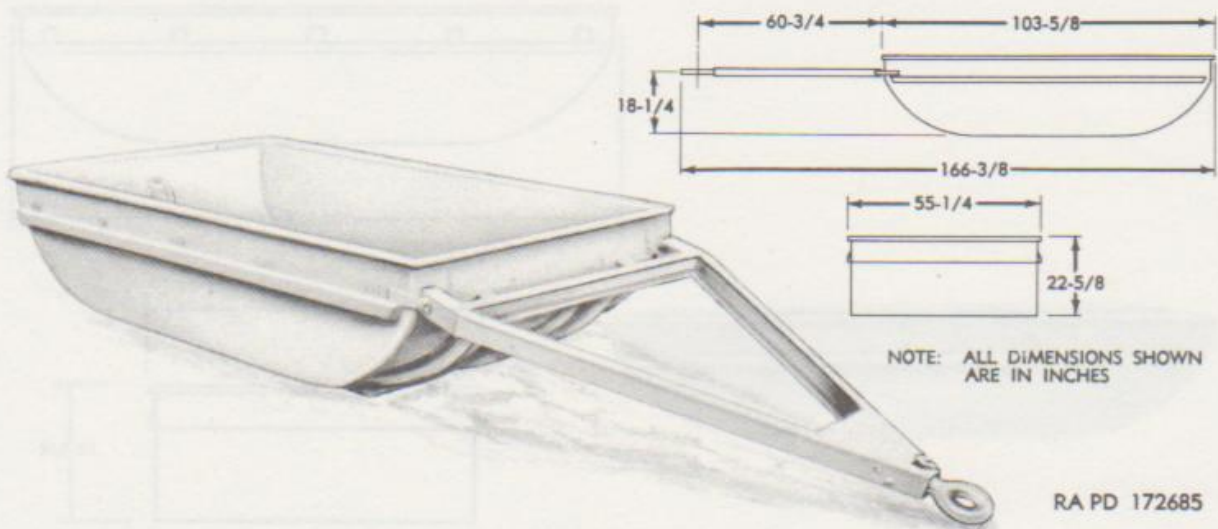
Purpose: To transport cargo over snow and ice.

GENERAL DATA

Weight (lb).....Net 500; Payload 2,000; Gross 2,500
 Shipping dimensions, uncrated.....(cu ft) 75; (sq ft) 40
Vehicle dimensions:
 Loading height, empty.....(in.) 22⁵/₈
 Body inside dimensions (in.):
 Length 101.....Width 53; Height 20
 Cargo space.....(cu ft) 62
Towing vehicle to be used...Any vehicle equipped with a pintle and traction devices.

ADDITIONAL DATA

SLED, CARGO, 1-TON, M1A1



Supply Catalog: SNL G-737.

Classification: Standard.

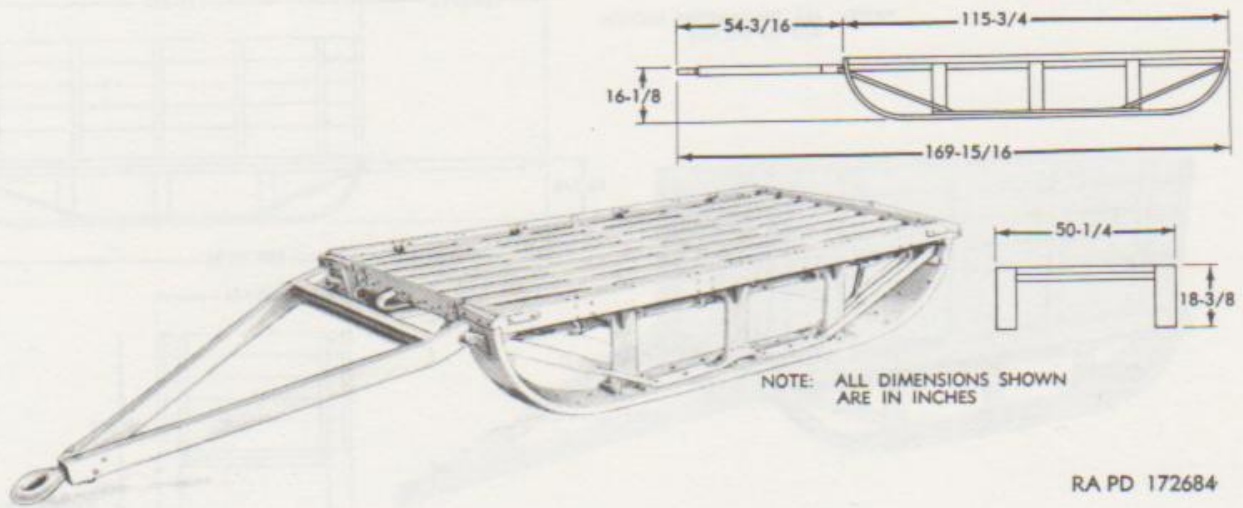
Purpose: To transport cargo over snow and ice.

GENERAL DATA

Weight (lb).....Net 560; Payload 2,000; Gross 2,560
 Shipping dimensions, uncrated (w/drawbar removed)....(cu ft) 75; (sq ft) 40
 Vehicle dimensions:
 Loading height, empty.....(in.) 22 $\frac{5}{8}$
 Body inside dimensions (in.):
 Length 101.....Width 53; Height 20
 Cargo space.....(cu ft) 62
 Towing vehicle to be used...Any vehicle equipped with a pintle and traction devices.

ADDITIONAL DATA

SLED, CARGO, 1-TON, M14



Supply Catalog: SNL G-738.

Classification: Substitute Standard.

Purpose: To transport cargo over snow and ice.

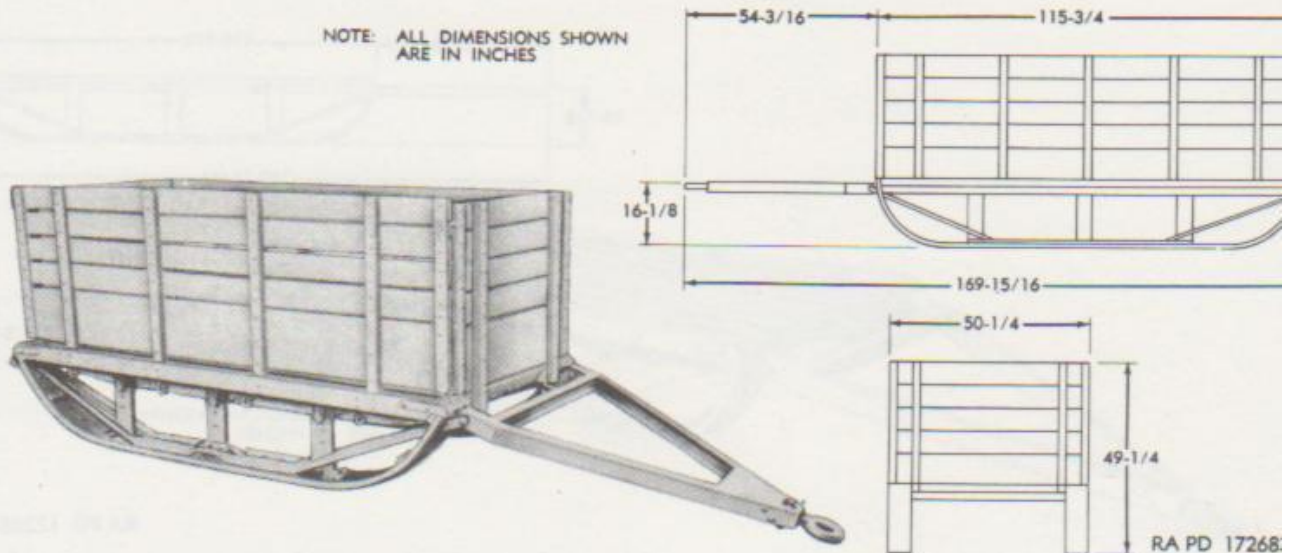
GENERAL DATA

Weight (lb).....Net 610; Payload 2,000; Gross 2,610
 Shipping dimensions, uncrated (w/drawbar removed).....(cu ft) 62; (sq ft) 41
Vehicle dimensions:
 Loading height, empty.....(in.) 18³/₈
 Cargo space.....(cu ft) none
Towing vehicle to be used.....Any vehicle equipped with
 a pintle and traction devices.

ADDITIONAL DATA

SLED, CARGO, 1-TON, M14A1

NOTE: ALL DIMENSIONS SHOWN ARE IN INCHES



Supply Catalog: SNI, G-739.

Classification: Standard.

Purpose: To transport cargo over snow and ice.

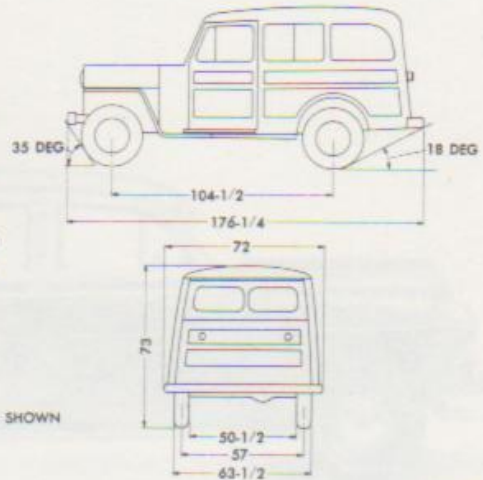
GENERAL DATA

Weight (lb).....Net 600; Payload 2,000; Gross 2,610
 Shipping dimensions, uncrated (w/draw bar removed).....(cu ft) 169; (sq ft) 41
Vehicle dimensions:
 Loading height, empty.....(in.) 18 3/4
 Body inside dimensions (in.):
 Length 110.....Width 48; Height 20 1/4
 Cargo space.....(cu ft) 61
Towing vehicle to be used.....Any vehicle equipped with
 a pintle and traction devices.

ADDITIONAL DATA

STATION WAGON, 7-PASSENGER, 4 x 2

(Willys, Models 4-63, 1948-49; 4-73-SW, 1950)



NOTE: ALL DIMENSIONS SHOWN
ARE IN INCHES

RA PD 137845

Vehicle illustrated: Model 4-73-SW, 1950.
Classification: Nonclassified.

Purpose: To transport personnel.

GENERAL DATA

Crew	1; Passengers (including crew) 7
Weight (lb)	Net 2,943; Payload 1,057; Gross 4,000
Rear-axle gear ratio	5.38:1
Axle load (lb):	
Empty.....	front 1,293; rear 1,650
Loaded.....	front 1,600; rear 2,600
Tires:	
Ply 4; Size 6.70 x 15; Pressure.....	(psi) front 20; rear 24
Tread, center-to-center, front.....	(in.) 55 1/4
Shipping dimensions, uncrated	(cu ft) 535; (sq ft) 88
Ground clearance	(in.) 8 1/4
Electrical system	(volts) 6
No. of batteries.....	1
Type of ground.....	negative
Fuel octane rating	70
Capacities:	
Fuel.....	(gal) 15
Cooling system (qt).....	w/o heater 11; w/heater 12
Crankcase, refill.....	(qt) 4
Transmission.....	(qt) 3 1/2
Rear axle.....	(qt) 1
Brakes:	
Manufacturer; Bendix.....	Type; hydraulic
Parking brake, type.....	rear-wheel
Transmission forward speeds	3
Gear ratio.....	High 1:1; Low 2.6:1

PERFORMANCE

Computed grade ability in lowest gear, loaded	(percent) 22
Turning radius	(ft) 17 1/4
Fording depth	(in.) 18
Fuel consumption, loaded	(mpg) 20
Cruising range, loaded	(mi) 300
Allowable speed, recommended	(mph) 65

ENGINE

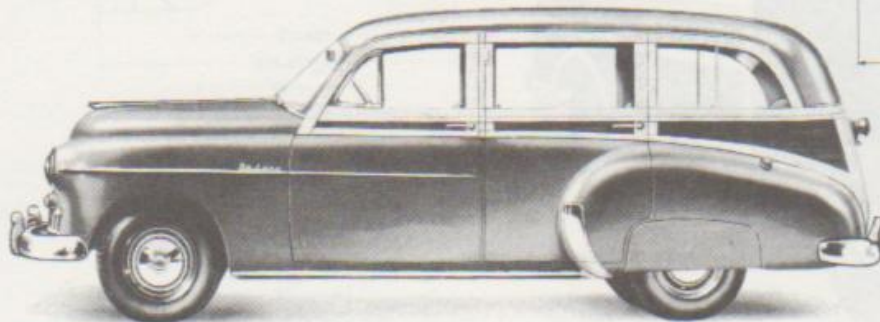
Manufacturer: Willys.....	Model 473
Type	F-head, 4-cycle; No. of cylinders (in line) 4
Displacement	(cu in.) 134.2
Bore	(in.) 3 1/4
Stroke	(in.) 4 3/4
Compression ratio	7.4:1
Governed speed	not governed
Brake horsepower (max w/std accessories)	64 at (rpm) 4,000
Torque (max)	114 lb-ft at (rpm) 2,000

ADDITIONAL DATA

Rear axle, type	hypoid, semifloating
Transmission, type	synchromesh

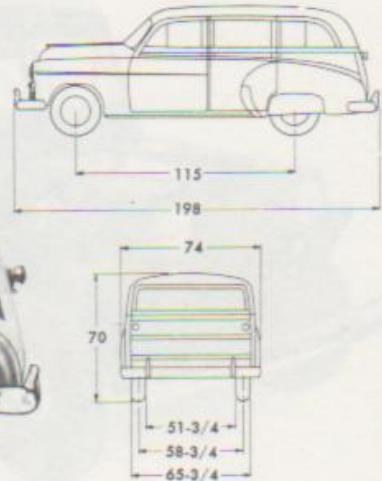
STATION WAGON, 8-PASSENGER, 4 x 2

(Chevrolet, Model 2109, 1949)



RA PD 137799

NOTE: ALL DIMENSIONS SHOWN ARE IN INCHES



Classification: Nonclassified.

Purpose: To transport personnel.

GENERAL DATA

Crew	1; Passengers (including crew) 8
Weight (lb)	Net 3,615; Payload 1,280; Gross 4,895
Rear-axle gear ratio	4.11:1
Axle load (lb):	
Empty	front 1,725; rear 1,890
Loaded	front 1,968; rear 2,927
Tires:	
Ply 6	Size 6.70 x 15; Pressure (psi) front 24; rear 30
Tread, center-to-center, front	(in.) 57
Shipping dimensions, uncrated	(cu ft) 605; (sq ft) 102
Ground clearance	(in.) 8 1/2
Electrical system	(volts) 6
No. of batteries	1
Type of ground	negative
Fuel octane rating	72
Capacities:	
Fuel	(gal) 16
Cooling system (qt)	w/heater 16; w/o heater 15
Crankcase, refill	(qt) 5
Transmission	(qt) 34
Rear axle	(qt) 134
Brakes:	
Manufacturer; Chevrolet	Type; hydraulic
Parking brake, type	rear-wheel
Transmission forward speeds	3
Gear ratio	High 1:1; Low 2.94:1

PERFORMANCE

Computed grade ability in lowest gear, loaded	(percent) 30
Turning radius (ft)	right 19 1/4; left 19 1/4
Fording depth	(in.) 15
Fuel consumption, loaded	(mpg) 14
Cruising range, recommended	(mi) 224
Allowable speed, recommended	(mph) 65

ENGINE

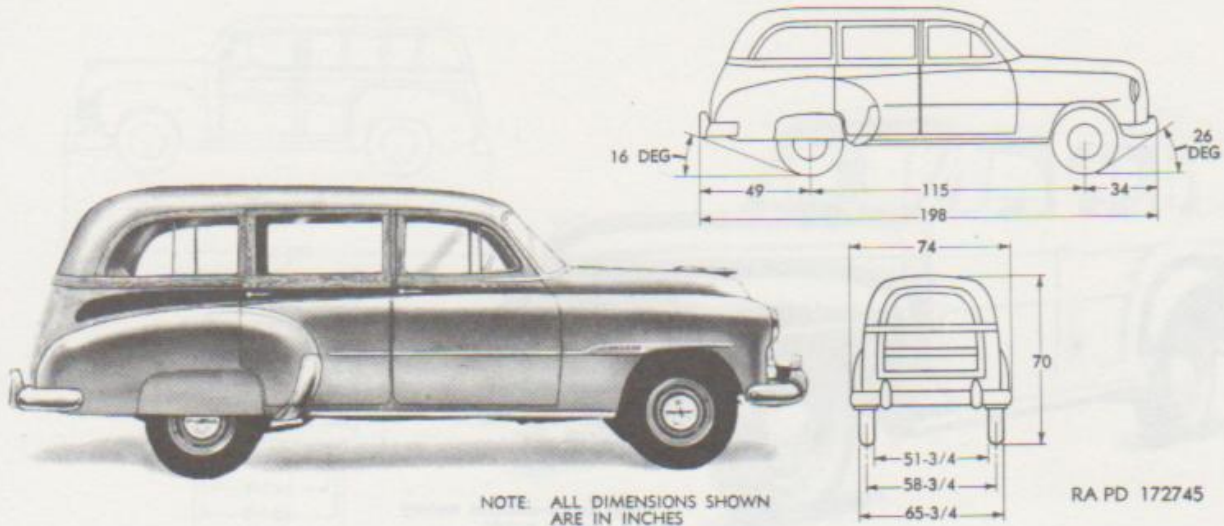
Manufacturer; Chevrolet	Model GAA or GAM 1001 up
Type	Valve-in-head, 4-cycle; No. of cylinders (in line) 6
Displacement	(cu in.) 216.5
Bore	(in.) 3 1/4
Stroke	(in.) 3 3/4
Compression ratio	6.6:1
Governed speed	not governed
Brake horsepower (max w/std accessories)	83 at (rpm) 3,200
Torque (max)	168 lb-ft at (rpm) 1,100

ADDITIONAL DATA

Rear axle, type	hypoid, semifloating
Transmission, type	synchronmesh

STATION WAGON, 8-PASSENGER, 4 x 2

(Chevrolet, Model 2119)



Classification: Standard.

Purpose: To transport personnel.

GENERAL DATA

Crew	1; No. Passengers (including crew)	8
Weight (lb)	Net	3,580
Payload		1,400
Gross		4,980
Rear-axle gear ratio		4.11:1
Axle load (lb):		
Empty	front	1,715; rear 1,865
Loaded	front	1,905; rear 3,075
Tires:		
Ply 6; Size 6.70 x 15; Pressure	(psi)	front 26; rear 30
Tread, center-to-center, front	(in.)	56 3/8
Shipping dimensions, uncrated	(cu ft) 593; (sq ft)	102
Ground clearance	(in.)	8
Electrical system	(volts)	6
No. of batteries		1
Type of ground		negative
Fuel octane rating		72
Capacities:		
Fuel	(gal)	16
Cooling system (qt)	w/o heater 15; w/heater	16
Crankcase, refill	(qt)	5
Transmission	(qt)	34
Rear axle	(qt)	134
Brakes:		
Manufacturer; Chevrolet	Type; hydraulic	
Parking brake, type		rear-wheel
Transmission for forward speeds		3
Gear ratio	High 1:1; Low 2.94:1	

PERFORMANCE

Computed grade ability in lowest gear, loaded	(percent)	30
Turning radius (ft)	Right 18 1/4; Left	19
Fording depth	(in.)	13
Fuel consumption, loaded	(mpg)	12
Cruising range, loaded	(mi)	192
Allowable speed, recommended	(mph)	65

ENGINE

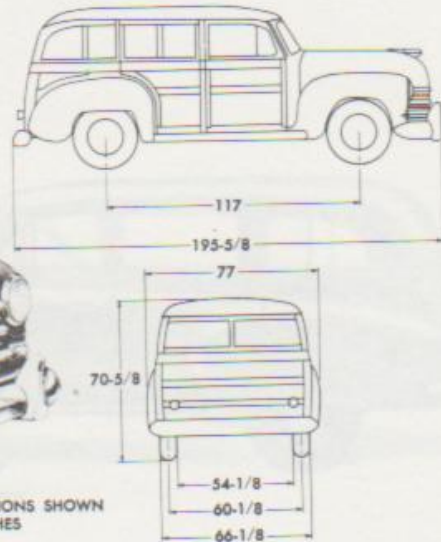
Manufacturer; Chevrolet	Model	HA or JA
Type	4-cycle, valve-in-head; No. of cylinders (in line)	6
Displacement	(cu in.)	216.5
Bore	(in.)	3 3/4
Stroke	(in.)	3 3/4
Compression ratio		6.6:1
Governed speed		not governed
Brake horsepower (max w/std accessories)	85 at (rpm)	3,300
Torque (max w/std accessories)	170 lb-ft at (rpm)	1,000-2,000

ADDITIONAL DATA

Rear axle, type	semifloating hypoid
Transmission, type	synchromesh

STATION WAGON, 8-PASSENGER, 4 x 2

(Plymouth, Model P15S, 1948)



NOTE: ALL DIMENSIONS SHOWN ARE IN INCHES

RA PD 137797

Classification: Standard.

Purpose: To transport personnel.

GENERAL DATA

Crew	1; Passengers (including crew) 8
Weight (lb)	Net 3,525; Payload 1,200; Gross 4,725
Rear-axle gear ratio	4.1:1
Axle load (lb):	
Empty	front 1,735; rear 1,700
Loaded	front 2,076; rear 2,649
Tires:	
Ply 4	Size 6.00 x 16; Pressure (psi) 28
Tread, center-to-center, front	(in.) 57
Shipping dimensions, uncrated	(cu ft) 615; (sq ft) 105
Ground clearance	(in.) 8 5/8
Electrical system	(volts) 6
No. of batteries	1
Type of ground	positive
Fuel octane rating	72
Capacities:	
Fuel	(gal) 17
Cooling system (qt)	w/heater 16; w/o heater 15
Crankcase, refill	(qt) 5
Transmission	(qt) 13 1/2
Rear axle	(qt) 13 1/2
Brakes:	
Manufacturer; Chrysler	Type; hydraulic
Parking brake, type	transmission
Transmission for ward speeds	3
Gear ratio	High 1:1; Low 2.57:1

PERFORMANCE

Computed grade ability in lowest gear, loaded	(percent) 32
Turning radius	(ft) 39

ENGINE

Manufacturer; Chrysler	Model Plymouth P15
Type	L-head, 4-cycle; No. of cylinders (in line) 6
Displacement	(cu in.) 217.8
Bore	(in.) 3 3/4
Stroke	(in.) 4 3/4
Compression ratio	5.6:1
Governed speed	not governed
Brake horsepower (max w/std accessories)	.95 at (rpm) 3,600
Torque (max)	176 lb-ft at (rpm) 1,200

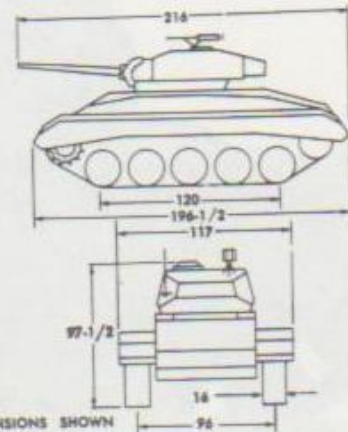
ADDITIONAL DATA

Rear axle, type	hypoid, semi-floating
Transmission, type	synchromesh

TANK, LIGHT, M24



RA PD 137718



NOTE: ALL DIMENSIONS SHOWN ARE IN INCHES

Technical Manuals: 9-729, 9-1727K, 9-1729A, 9-1729B, 9-1729C, 9-1731D, 9-1825A, 9-1826A, 9-1828A, 9-1829A; Supply Catalog: SNL G-200.

Classification: Standard.

Armament: 1 gun, 75-mm, M6, turret mounted; 2 guns, machine, cal. .30, Browning, M1919A4 (flexible); 1 mounted coaxially with main armament, 1 ball mounted at right front of hull; 1 gun, machine, cal. .50, Browning, M2, heavy barrel (flexible) pintle mounted on top of turret.

Ammunition: 48 rounds, 75-mm; 420 rounds, cal. .50; 180 rounds cal. .45 for sub-machine-gun; 4,125 rounds cal. .30; 90 rounds cal. .30, carbine; 8 hand grenades; 12 ground signals.

GENERAL DATA

Crew	5
Weight, fighting	(lb) 40,500
Shipping dimensions, uncrated	(cu ft) 1,310; (sq ft) 161
Ground pressure	(psi) 11
Ground clearance	(in.) 18
Pintle height, loaded	(in.) 20
Electrical system	(volts) 24
No. of batteries	(6-volt) 4
Type of ground	negative
Fuel octane rating	80
Capacities:	
Fuel	(gal) 110
Cooling system	(each) (qt) 40
Crankcase, refill	(each) (qt) 9
Transmission (hydramatic)	(each) (qt) 15
Differential	(qt) 20
Transfer	(qt) 4 1/2
Final drive	(each) (qt) 2
Brakes	mechanical, controlled-differential
Parking brake, type	Depressor knobs for locking steering brakes
Transmission forward speeds	4
Gear ratio	High 1:1; Third 1.55:1; Low 3.92:1
Transfer speeds	Forward 2; Reverse 1
Gear ratio	High 1.03:1; Low 2.34:1; Reverse 2.44:1
Differential-drive gear ratio	2.62:1
Final-drive gear ratio	2.94:1
Hull construction	welded homogeneous armor plate

Purpose: To provide mobile fire power and crew protection in offensive combat.

Fire Control and Vision Devices: Periscope, M10P or periscope M4A1 w/telescope, M77G or M38A2 (gunner's); periscope, M13 or M13B1 or M6 or periscope, M15 or M15A1 (vision); quadrant, elevation, M9; quadrant, gunner's M1; telescope, M83F or M71K (sight); indicator, azimuth, M19.

Communications: (SCR-508 or SCR-528 or SCR-608 or SCR-628 or RC-99) and (RC-298) and (AN/VRC-3); or (SCR-508 or SCR-528 or AN/GRC-3, -4, -5, -6, -7, or -8).

PERFORMANCE

Maximum grade ability	(percent) 60
Turning radius	(ft) 23
Fording depth	(in.) 40
Maximum width of ditch vehicle can cross	(in.) 96
Maximum vertical obstacle vehicle can climb	(in.) 36
Fuel consumption (average conditions)	(mpg) 34
Cruising range (average conditions)	(mi) 100
Allowable speed, recommended	(mph) 34
Maximum allowable towed load, gross	(lb) 10000

ENGINE

Manufacturer; Cadillac	No. used 2; Model 44T24
Type	4-cycle, L-head; No. of cylinders (90-deg V) 8
Displacement	(cu in.) 349
Bore	(in.) 3 1/2
Stroke	(in.) 4 1/2
Compression ratio	7.06:1
Brake horsepower (max w/std accessories)	110 at (rpm) 3,400
Torque (max w/std accessories)	240 lb-ft at (rpm) 1,300
Type of ignition	distributor

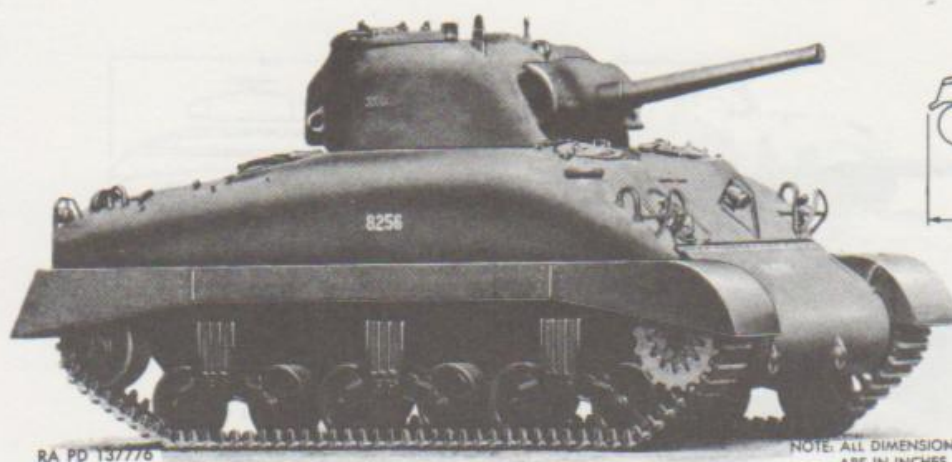
ADDITIONAL DATA

Data given for vehicle equipped with track, steel, T72. Track, steel, T72E1 is interchangeable. Track, rubber, T85E1 applicable with changed sprocket.

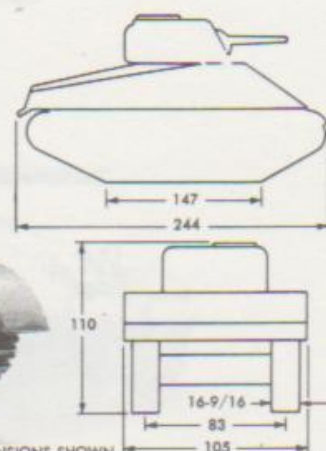
Equipped with elevation stabilizer.

Manual and power turret-traversing mechanism.

TANK, MEDIUM, M4A1, 75-MM GUN



RA PD 137776



NOTE: ALL DIMENSIONS SHOWN ARE IN INCHES

Technical Manuals: 9-731A, 9-731AA, 9-1725, 9-1731G, 9-1731K, 9-1750A, 9-1750B, 9-1750C, 9-1750D, 9-1750K, 9-1825B, 9-1825B, 9-1828A, 9-1829A; Supply Catalog: SNL G-104.

Classification: Limited Standard.

Armament: 1 gun, 75-mm, M3, turret mounted; 2 guns, machine, cal. .30, Browning, M1919A4 (flexible), 1 mounted coaxially with main armament, 1 ball mounted at right front of hull; 1 gun, machine, cal. .50, Browning, M2, heavy barrel (flexible), mounted on revolving hatch on top of turret.

Ammunition: 90 rounds, 75-mm; 300 rounds, cal. .50; 4,750 rounds, cal. .30; 900 rounds, cal. .45 for sub-machine gun; 12 hand grenades; 12 2-inch smoke bombs.

Communications: (SCR-508 or SCR-608 or SCR-528 or AN/GRC-3, -4, -5, -6, -7, or -8) and (RC-298); or (SCR-508 or SCR-528) and (RC-298) and (AN/VRC-3); or (AN/VRC-3) and (RC-99) and (RC-298).

GENERAL DATA

Crew	5
Weight, fighting	(lb) 67,700
Shipping dimensions, uncrated	(cu ft) 1,605; (sq ft) 175
Ground pressure	(psi) 13.9
Ground clearance	(in.) 17 3/4
Pintle height, loaded	(in.) 21 1/4
Electrical system	(volts) 24
No. of batteries	(12-volt) 2
Type of ground	negative
Fuel octane rating	80
Capacities:	
Fuel	(gal) 175
Auxiliary-engine fuel tank	(gal) 5
Engine oil tank	(qt) 36
Transmission, differential, and final drives (qt):	
Three-piece, round-nose	152
One-piece, sharp-nose	164
Brakes	mechanical, controlled-differential
Parking brake, type:	
Early models	rear of transmission
Late models	pedal for locking steering brakes
Transmission for forward speeds	5
Gear ratio	High 9.73:1; Fourth 1:1; Low 7.56:1
Differential-drive gear ratio	3.53:1
Final-drive gear ratio	2.84:1
Hull construction	welded homogeneous cast and plate armor
Armor, turret	cast homogeneous

Purpose: To provide mobile fire power and crew protection for offensive combat.

Fire Control and Vision Devices: Periscopes, M10C or periscope, M4A1 w/telescope, M38A2 (gunner's); periscope, M13 or M13B1 or M6 (vision); quadrant, elevation, M9; quadrant, gunner's, M1; telescope, M83F or M71K (sight); indicator, azimuth, M19.

PERFORMANCE

Maximum grade ability	(percent) 60
Turning radius	(ft) 31
Fording depth	(in.) 36
Maximum width of ditch vehicle can cross	(in.) 90
Maximum vertical obstacle vehicle can climb	(in.) 24
Fuel consumption (average conditions)	(mpg) 0.6
Cruising range (average conditions)	(mi) 100
Allowable speed, governed	(mph) 24
Maximum allowable to wed load, gross	(lb) 10,000

ENGINE

Manufacturer	Continental	Model R975-C1
Type	4-cycle, radial, air-cooled;	No. of cylinders 9
Displacement		(cu in.) 973
Bore		(in.) 5
Stroke		(in.) 5 1/4
Compression ratio		5.7:1
Governed speed		(rpm) 2,400
Brake horsepower (max w/std accessories)		350 at (rpm) 2,400
Torque (max w/std accessories)		840 lb-ft at (rpm) 1,800
Type of ignition		magneto

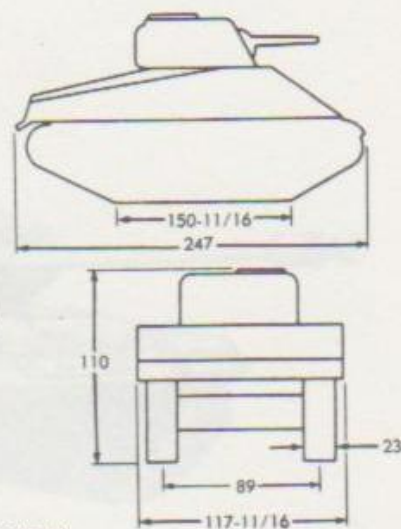
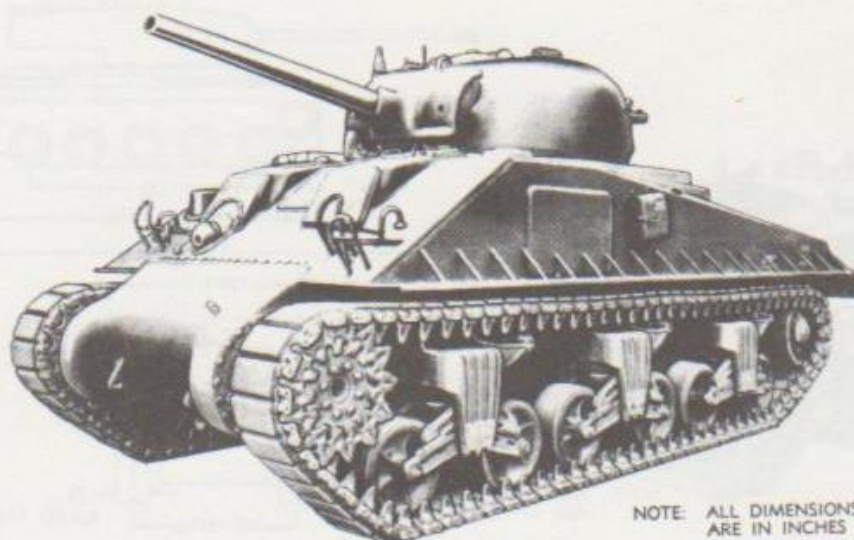
ADDITIONAL DATA

Data given for vehicle equipped with track, rubber, T48. Track, rubber, T51; tracks, steel, T49 and T54E1; and track, rubber-backed-steel, T74 are interchangeable.

Data given for vehicle equipped with vertical volute spring suspension. Auxiliary generator Homelite Model HRUH-28. Manual and power turret-traversing mechanism. One-piece or three-piece differential housing used on this vehicle. Continental engine R975-C4 is interchangeable. Changes in data are as follows:

Brake horsepower (max w/std accessories)	400 at (rpm) 2,400
Torque (max w/std accessories)	940 lb-ft at (rpm) 1,700

TANK, MEDIUM, M4A3, 75-MM GUN



NOTE: ALL DIMENSIONS SHOWN ARE IN INCHES

RA PD 172700

Technical Manuals: 9-759, 9-1731B, 9-1731G, 9-1731K, 9-1750B, 9-1750K, 9-1825A, 9-1825B, 9-1826B, 9-1828A, 9-1829A; Supply Catalog: SNL G-204.

Classification: Limited Standard.

Armament: 1 gun, 75-mm, M3, turret mounted; 2 guns, machine, cal. .30, Browning, M1919A4 (flexible), 1 mounted coaxially with main armament, 1 ball mounted at right front of hull; 1 gun, machine, cal. .50, Browning, M2, heavy barrel (flexible) mounted on revolving hatch on top of turret.

Fire Control and Vision Devices: Periscope, M10C or M4A1 w/telescope, M38A2 (Commander, gunner); periscope, M6 or M13 or M13B1 (vision); quadrant, elevation, M9; quadrant, gunner's M1; telescope, M10F (for tanks with combination gun mount M34A1) (sight); indicator, azimuth, M20.

Purpose: To provide mobile fire power and crew protection for offensive combat.

Ammunition: 104 rounds, 75-mm; 6,250 rounds, cal. .30 machine gun; 630 rounds, cal. .50; 900 rounds, cal. .45 for submachine gun; 12 hand grenades; 12 ground signals.

Communications: (SCR-508 or SCR-608 or SCR-528 or AN/GRC-3, -4, -5, -6, -7, or -8) and (RC-298); or (SCR-508 or SCR-528) and (RC-298) and (AN/VRC-3); or (AN/VRC-3) and (RC-99) and (RC-298).

GENERAL DATA

Crew	5
Weight, fighting	(lb) 69,565
Shipping dimensions, uncrated	(cu ft) 1,840; (sq ft) 201
Ground pressure	(psi) 10.1
Ground clearance	(in.) 17 1/4
Pintle height, loaded	(in.) 28
Electrical system	(volts) 24
No. of batteries	(12-volt) 2
Type of ground	negative
Fuel octane rating	80
Capacities:	
Fuel	(gal) 108
Cooling system	(qt) 56
Crankcase, refill	(qt) 32
Transmission, differential, and final drives (qt):	
Three-piece, round-nose	132
One-piece, sharp-nose	104
Brakesmechanical, controlled-differential	
Parking brake, type:	
Early models	rear of transmission
Late models	pedal for locking steering brakes
Transmission for ward speeds5	
Gear ratio	High 0.73:1; Fourth 1:1; Low 7.56:1
Differential-drive gear ratio	3.53:1
Final-drive gear ratio	2.84:1
Hull constructionwelded homogeneous armor plate	
Turret constructioncast homogeneous armor	

PERFORMANCE

Maximum grade ability	(percent) 60
Turning radius	(ft) 31
Fording depth	(in.) 36
Maximum width of ditch vehicle can cross	(in.) 90
Maximum vertical obstacle vehicle can climb	(in.) 24
Fuel consumption (average conditions)	(mpg) 0.6
Cruising range (average conditions)	(mi) 100
Allowable speed, governed	(mph) 26
Maximum allowable towed load, gross	(lb) 10,000

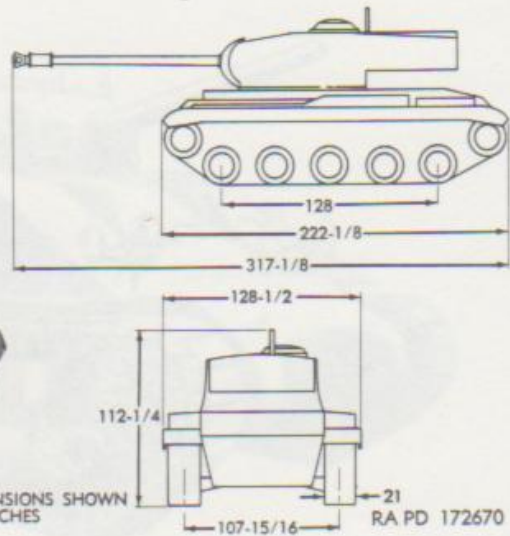
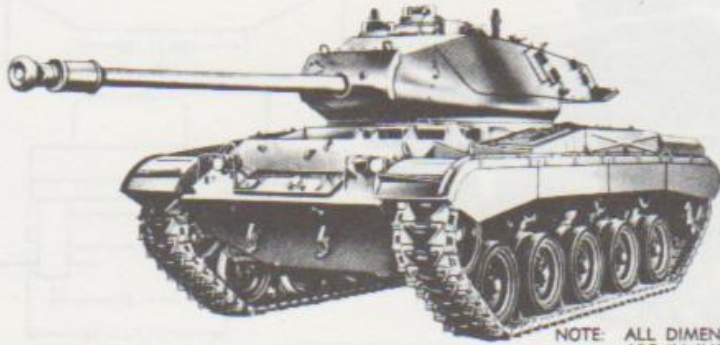
ENGINE

Manufacturer: Ford	Model GAA
Type	4-cycle, valve-in-head; No. of cylinders (60-deg V) 8
Displacement	(cu in.) 1,100
Bore	(in.) 5.4
Stroke	(in.) 6
Compression ratio	7.5:1
Governed speed	(rpm) 2,600
Brake horsepower (max w/std accessories)	450 at (rpm) 2,600
Torque (max w/std accessories)	950 lb-ft at (rpm) 2,100
Type of ignition	magneto

ADDITIONAL DATA

One-piece or three-piece differential housing used on this vehicle.
 Auxiliary engine: Homelite Model HRUH-28.
 Manual and power turret-traversing mechanism.
 Horizontal volute spring suspension.
 Data given for vehicle equipped with track, steel, T66. Track, rubber-backed-steel, T80 and track, rubber, T84 are interchangeable.

TANK, 76-MM GUN, T41E1



NOTE: ALL DIMENSIONS SHOWN ARE IN INCHES

Technical Manuals: 9-730, 9-1730B, 9-1730F, 9-1825C, 9-1825E, 9-1826B, 9-1828A, 9-1829A; Supply Catalog: SNI G-251.

Armament: 1 gun, 76-mm, T91E3, turret mounted; 1 gun, machine, cal. .50, Browning, M2, heavy barrel, turret type, mounted coaxially with main armament; 1 gun, machine, cal. .50, Browning, M2, heavy barrel (flexible) pintle mounted on top of turret.

Ammunition: 60 rounds 76-mm; 4,630 rounds cal. .50; 18 rounds cal. .45 for submachine gun; 90 rounds cal. .30 carbine; 8 hand grenades; 12 ground signals.

GENERAL DATA

Crew	4
Weight, fighting	(lb) 50,789
Over-all length (gun in traveling position)	(in.) 273 3/8
Shipping dimensions, uncrated	(cu ft) 2,290; (sq ft) 245
Ground pressure	(psi) 9.5
Ground clearance	(in.) 17 1/4
Pintle height, loaded	(in.) 30
Electrical system	(volts) 24
No. of batteries	(6-volt) 4
Type of ground	negative
Fuel octane rating	80
Capacities:	
Fuel	(gal) 140
Crankcase, refill	(qt) 56
Auxiliary engine crankcase	(qt) 3 1/2
Transmission, cross-drive (including cooler)	(qt) 64
Final drive	(each) (qt) 3
Brakes:	
Hand-lever controlled, hydraulic, multiple-disk steering brakes.	
Pedal operates them as service brakes.	
Parking brake, type: Park position on transmission selector lever.	
Ratio from engine output to torque converter input	0.715:1
Torque converter stall ratio	3.8:1
Ratio from torque converter output shaft to final-drive flange:	
High range	1.4:1; Low range 5.34:1
No. of ranges (high, low, and reverse)	3
Final-drive gear ratio	4.25:1
Hull construction	welded homogeneous armor plate
Turret construction	welded steel plate

Purpose: To provide mobile fire power and crew protection in offensive combat. Suitable for airborne use.

Fire Control and Vision Devices: Finder, range, T37; periscope, M15 (vision); periscope, T32 (commander, gunner); quadrant, elevation, M9; quadrant, gunner's, M1; drive, ballistic, T23; indicator, azimuth, T24.

Communications: (SCR-508 or SCR-528) and (AN/VIA-1); or (AN/GRC-3, -4, -5, -6, -7, or -8) and (AN/VIA-1).

PERFORMANCE

Maximum grade ability	(percent) 60
Turning radius (ft)	pivots in place
Fording depth	(in.) 48
Maximum width of ditch vehicle can cross	(in.) 72
Maximum vertical obstacle vehicle can climb	(in.) 28
Fuel consumption (average conditions)	(mpg) 1.2
Cruising range (average conditions)	(mi) 120
Maximum allowable speed, governed	(mph) 40
Maximum allowable towed load, gross	(lb) 10,000

ENGINE

Manufacturer; Continental	Model AOS 895-3
Type	4-cycle, valve-in-head, air-cooled
No. of cylinders	(opposed) 6
Displacement	(cu in.) 895
Bore	(in.) 5 1/4
Stroke	(in.) 5 1/4
Compression ratio	5.5:1
Governed speed	(rpm) 2,800
Brake horsepower, gross	500 at (rpm) 2,800
Torque, gross	960 lb-ft at (rpm) 2,400
Type of ignition	magneto

ADDITIONAL DATA

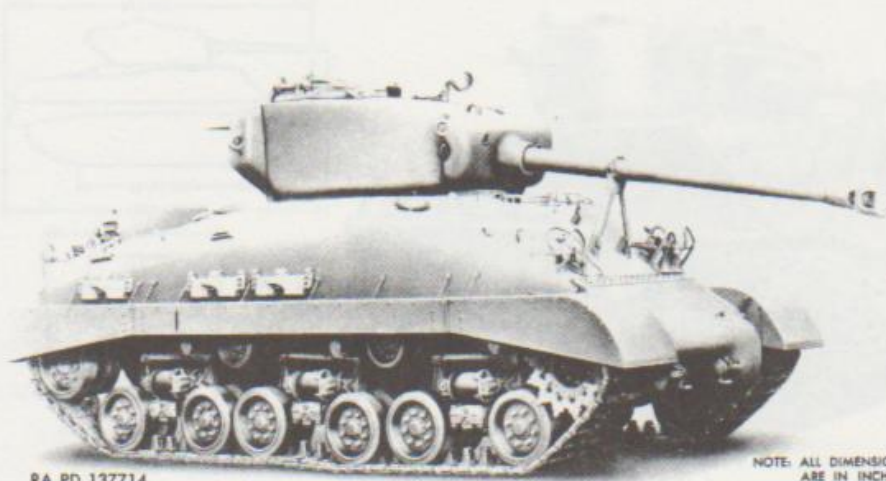
Auxiliary Generator Set: Engine GMC Model A41-1; Generator, Delco model GM-A-8585.

Manual and power turret-traversing mechanism.

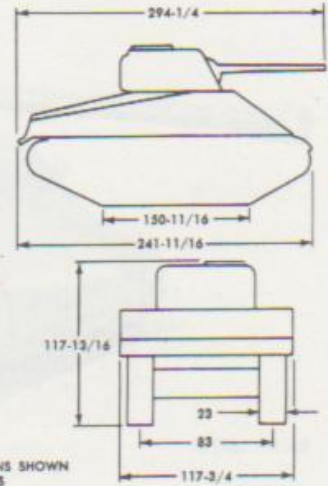
Gun equipped with bore evacuator and muzzle brake.

Data given for vehicle equipped with track, rubber-backed-steel, T87. Track, rubber, T88E1 is interchangeable.

TANK, MEDIUM, M4A1, 76-MM GUN



RA PD 137714



NOTE: ALL DIMENSIONS SHOWN ARE IN INCHES

Technical Manuals: 9-731AA, 9-1725, 9-1731G, 9-1731K, 9-1750A, 9-1750B, 9-1750C, 9-1750I, 9-1750K, 9-1825A, 9-1825B, 9-1826B, 9-1828A, 9-1829A; Supply Catalog: SNI, G-207.

Classification: Limited Standard.

Armament: 1 gun, 76-mm, M1A1C or M1A2, turret mounted; 2 guns, machine, cal. .30, Browning, M1919A4 (flexible), 1 mounted coaxially with main armament, 1 ball mounted at right front of hull; 1 gun, machine, cal. .50, Browning, M2, heavy barrel (flexible) mounted on revolving hatch door on top of turret.

Ammunition: 86 rounds, 76-mm; 630 rounds, cal. .50; 180 rounds, cal. .45 for submachine gun; 6,875 rounds, cal. .30; 90 rounds, cal. .30, carbine; 12 hand grenades; 12 ground signals.

GENERAL DATA

Crew	5
Weight, fighting	(lb) 73,595
Overall length w/gun in traveling position	(in.) 2937/16
Shipping dimensions, uncrated	(cu ft) 2,360; (sq ft) 240
Ground pressure	(psi) 10.6
Ground clearance	(in.) 18 3/8
Pintle height, loaded	(in.) 22
Electrical system	(volts) 24
No. of batteries	(12-volt) 2
Type of ground	negative
Fuel octane rating	80
Capacities:	
Fuel	(gal) 172
Auxiliary-engine fuel tank	(gal) 6
Engine oil tank	(qt) 36
Transmission, differential, and final drives (qt):	
Three-piece, round-nose	152
One-piece, sharp-nose	164
Brakes:	
	mechanical, controlled-differential
Parking brake, type	pedal for locking steering brakes
Transmission:	
Forward speeds	5
Gear ratio	High 0.73:1; Fourth 1:1; Low 7.56:1
Differential-drive gear ratio	3.53:1
Final-drive gear ratio	2.84:1
Hull construction	welded homogeneous armor casting and plates
Armor, turret	cast homogeneous armor

Purpose: To provide mobile fire power and crew protection for offensive combat.

Fire Control and Vision Devices: Periscope, M10G (gunner's); periscope, M8A1, w/telescope, M39A2 or periscope, M4A1, w/telescope, M47A2 (commander's); periscope, M13 or M13B1 or M6 (vision); quadrant, elevation, M9; quadrant, gunner's, M1; telescope, M83D, or M71D (sight); indicator, azimuth, M19.

Communications: (SCR-508 or SCR-608 or SCR-528 or AN/GRC-3, -4, -5, -6, -7, or -8) and (RC-298) or (SCR-508 or SCR-528) and (RC-298) and (AN/VRC-3); or (AN/VRC-3) and (RC-99) and (RC-298).

PERFORMANCE

Maximum grade ability	(percent) 60
Turning radius	(ft) 31
Fording depth	(in.) 42
Maximum width of ditch vehicle can cross	(in.) 90
Maximum vertical obstacle vehicle can climb	(in.) 24
Fuel consumption (average conditions)	(mpg) 0.5
Cruising range (average conditions)	(mi) 100
Allowable speed, governed	(mph) 24
Maximum allowable towed load, gross	(lb) 10,000

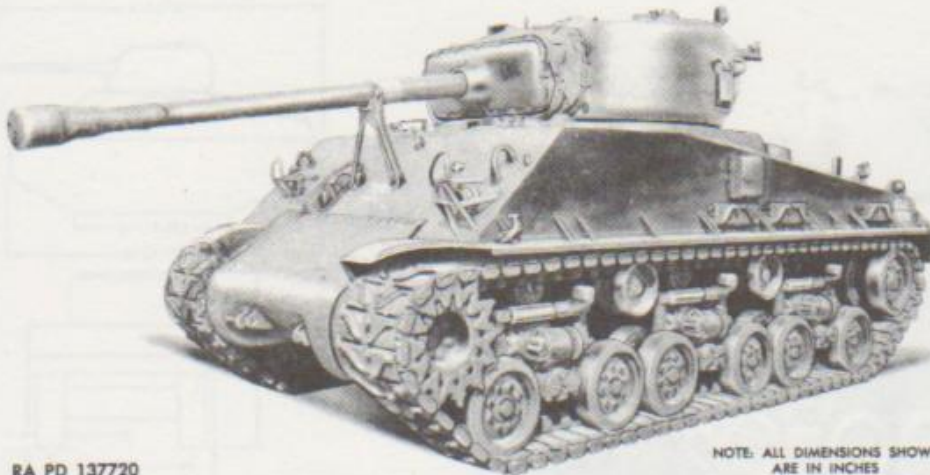
ENGINE

Manufacturer	Continental	Model R975-C4
Type	4-cycle, radial, air-cooled; No. of cylinders 9	
Displacement	(cu in.) 973	
Bore	(in.) 5	
Stroke	(in.) 5 1/2	
Compression ratio	5.7:1	
Governed speed	(rpm) 2,400	
Brake horsepower (max w/std accessories)	400 at (rpm) 2,400	
Torque (max w/std accessories)	940 lb-ft at (rpm) 1,700	
Type of ignition	magneto	

ADDITIONAL DATA

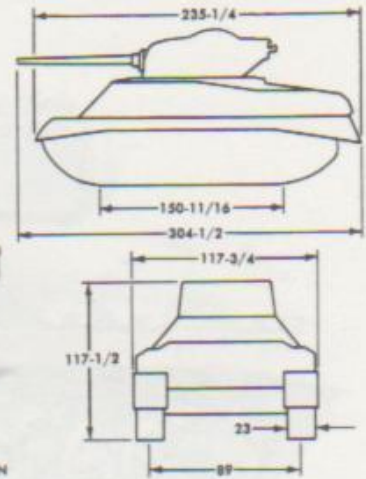
One-piece or three-piece differential housing used on this vehicle. Manual and power turret-traversing mechanism. Equipped with elevation stabilizer. Auxiliary generator Homelite Model HRUH-28. Data given for vehicle equipped with track, steel, T66. Track, rubber-backed-steel, T80, and track, rubber, T84 are interchangeable.

TANK, MEDIUM, M4A3, 76-MM GUN



RA PD 137720

NOTE: ALL DIMENSIONS SHOWN ARE IN INCHES



Technical Manuals: 9-759, 9-1731B, 9-1731G, 9-1731K, 9-1750A, 9-1750B, 9-1750K, 9-1825A, 9-1825B, 9-1826B, 9-1828A, 9-1829A; Supply Catalog: SNL G-205.

Classification: Substitute Standard.

Armament: 1 gun, 76-mm, M1A2 or M1A1C, turret mounted; 2 guns, machine, cal. .30, Browning, M1919A4 (flexible), 1 mounted coaxially with main armament, 1 ball mounted at right front of hull; 1 gun, machine, cal. .50, Browning, M2, heavy barrel (flexible) mounted on revolving hatch on top of turret.

Ammunition: 86 rounds, 76-mm; 6,875 rounds, cal. .30; 630 rounds, cal. .50; 180 rounds, cal. .45 for sub-machine-gun; 90 rounds, cal. .30, carbine; 12 ground signals; 12 hand grenades.

GENERAL DATA

Crew	5
Weight, fighting	(lb) 74,125
Over-all length (gun in traveling position)	(in.) 296
Shipping dimensions, uncrated	(cu ft) 2,370; (sq ft) 242
Ground pressure	(psi) 10.7
Ground clearance	(in.) 18 3/4
Pintle height, loaded	(in.) 28
Electrical system	(volts) 24
No. of batteries	(12-volt) 2
Type of ground	negative
Fuel octane rating	80
Capacities:	
Fuel	(gal) 168
Cooling system	(qt) 56
Crankcase, refill	(qt) 32
Transmission, differential, and final drives (qt):	
Three-piece, round-nose	162
One-piece, sharp-nose	164
Brakes	mechanical, controlled-differential
Parking brake, type:	
Early models	rear of transmission
Late models	pedal for locking steering brakes
Transmission forward speeds	5
Gear ratio	High 0.73:1; Fourth 1:1; Low 7.56:1
Differential-drive gear ratio	3.53:1
Final-drive gear ratio	2.84:1
Hull construction	welded homogeneous armor plate
Turret construction	cast homogeneous armor

Purpose: To provide mobile fire power and crew protection for offensive combat.

Fire Control and Vision Devices: Periscope, M10G, and periscope, M8A1 w/telescope, M39A2, or periscope, M4A1 w/telescope, M47A2 (gunner's); periscope, M13 or M13B1 or M6 (vision); quadrant, elevation, M9; quadrant gunner's, M1; telescope, M83D, or M71D (sight).

Communications: (SCR-508 or SCR-608 or SCR-528 or AN/GRC-3, -4, -5, -6, -7, or -8) and (RC-298); or (SCR-508 or SCR-528) and (RC-298) and (AN/VRC-3); or (AN/VRC-3) and (RC-99) and (RC-298).

PERFORMANCE

Maximum grade ability	(percent) 60
Turning radius	(ft) 31
Fording depth	(in.) 36
Maximum width of ditch vehicle can cross	(in.) 90
Maximum vertical obstacle vehicle can climb	(in.) 24
Fuel consumption (average conditions)	(mpg) 0.6
Cruising range (average conditions)	(mi) 100
Allowable speed, governed	(mph) 26
Maximum allowable towed load, gross	(lb) 10,000

ENGINE

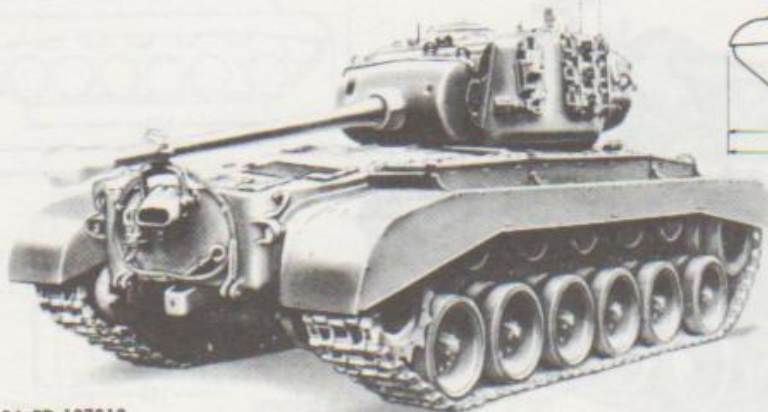
Manufacturer:	Ford	Model	GAA
Type	4-cycle, valve-in-head; No. of cylinders (60-deg V)	8	
Displacement	(cu in.)	1:100	
Bore	(in.)	5.4	
Stroke	(in.)	6	
Compression ratio		7.5:1	
Governed speed	(rpm)	2,800	
Brake horsepower (max w/std accessories)	450 at (rpm)	2,600	
Torque (max w/std accessories)	950 lb-ft at (rpm)	2,100	
Type of ignition		magneto	

ADDITIONAL DATA

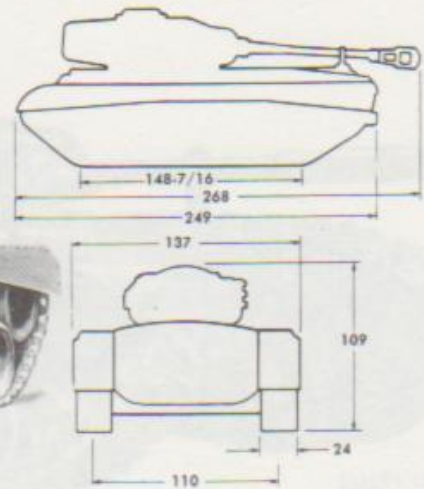
Auxiliary engine: Homelite model HRUH-28.
Data given for vehicle equipped with track, steel, T66. Track, rubber-backed-steel, and track, rubber, T84 are interchangeable.
One-piece or three-piece differential housing used on this vehicle.
Manual and power turret-traversing mechanism.

TANK, MEDIUM, M26 AND M26A1

NOTE: ALL DIMENSIONS SHOWN ARE IN INCHES



RA PD 137813



Technical Manuals: 9-735, 9-1731B, 9-1731G, 9-1735A, 9-1735B, 9-1735C, 9-1826B, 9-1826C, 9-1828A, 9-1829A; Supply Catalog: SNL G-226.

Vehicle illustrated: M26.

Classification: Limited Standard.

Armament: 1 gun, 90-mm, M3, turret mounted; 2 gun, machine, cal. .30, Browning, M1919A4 (flexible); 1 ball mounted at right front of hull, 1 mounted coaxially with main armament; 1 gun, machine, cal. .50, Browning, M2, heavy barrel (flexible) pintle mounted on top of turret.

Ammunition: 70 rounds 90-mm; 5,000 rounds cal. .30; 550 rounds cal. .50; 12 hand grenades.

Communications: (SCR-508 or SCR-608 or SCR-528) and (RC-298); or (SCR 508 or SCR-528) and (RC-298) and (AN/VRC-3); (AN/VRC-3) and (RC-99) and (RC-298).

GENERAL DATA

Crew	5
Weight, fighting	(lb) 92,000
Shipping dimensions, uncrated	(cu ft) 2,340; (sq ft) 257
Ground pressure	(psi) 12.7
Ground clearance	(in.) 17 1/4
Pintle height, loaded	(in.) 28
Electrical system	(volts) 24
No. of batteries	(12-volt) 2
Type of ground	negative
Fuel octane rating	80
Capacities:	
Fuel	(gal) 191
Cooling system	(qt) 88
Crankcase, refill	(qt) 32
Auxiliary-engine crankcase	(qt) 3
Transmission (including cooler)	(qt) 54 1/4
Differential	(qt) 72
Final drive	(each) (qt) 7
Brakes	mechanical, controlled-differential
Parking brake, type	hand-lever locks on steering brakes
Transmission (torqmatic):	
Forward speeds	3
Gear ratio	High 0.336:1; Low 1.377:1
Differential-drive gear ratio	3.41:1
Final-drive gear ratio	3.95:1
Hull construction	welded castings and plate; turret cast homogeneous

Purpose: To provide mobile fire power and crew protection for offensive combat.

Fire Control and Vision Devices: Periscope, M13 or M13B1 or M6 (vision); periscope, M15 or M13 or M13B1 or M6 (vision); periscope, M16 or M10F or periscope, M4A1 w/telescope M77F or M77H (gunner); quadrant, elevation, M9; quadrant gunner's, M1; telescope, M83C, or M71N, or M71C (sight); indicator, azimuth, M20.

PERFORMANCE

Maximum grade ability	(percent) 60
Turning radius	(ft) 31
Fording depth	(in.) 48
Maximum width of ditch vehicle can cross	(in.) 95
Maximum vertical obstacle vehicle can climb	(in.) 46
Fuel consumption (average conditions)	(mpg) 0.5
Cruising range (average conditions)	(mi) 92
Allowable speed, governed	(mph) 30
Maximum allowable to towed load, gross	(lb) 1,000

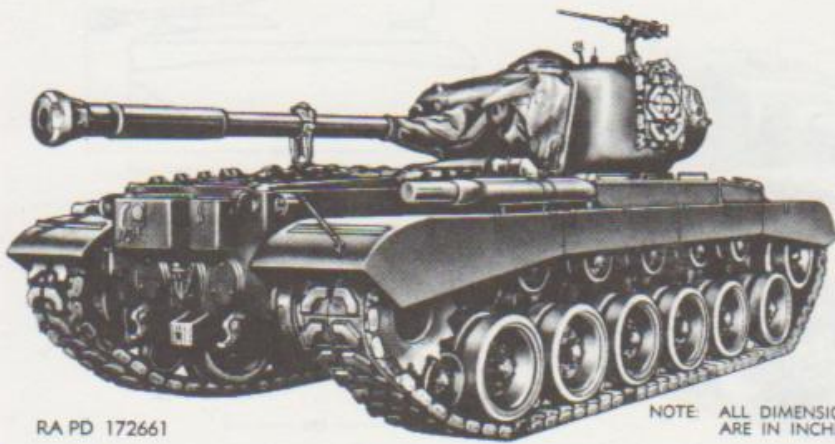
ENGINE

Manufacturer: Ford	Model GAF
Type	4-cycle, valve-in-head; No. of cylinders (60-deg V) 8
Displacement	(cu in.) 1,000
Bore	(in.) 5.4
Stroke	(in.) 6
Compression ratio	7.5:1
Governed speed	(rpm) 2,600
Brake horsepower (max w/std accessories)	500 at (rpm) 2,600
Torque (max w/std accessories)	950 lb-ft at (rpm) 2,100
Type of ignition	magneto

ADDITIONAL DATA

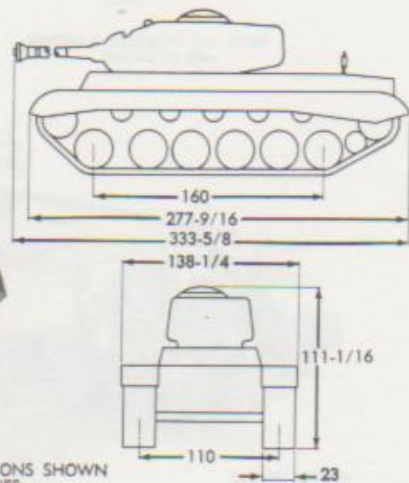
Variable torque multiplying through torque converter.
Stall ratio 4.04:1.
Manual and hydraulic turret-traversing mechanism. Elevation stabilizer.
Auxiliary engine: Waukesha, Model G-TGU.
Length of ground contact (wheelbase) on right side (in.) 152 1/4.
Data given for vehicle equipped with Steel Track, T81.
Rubber-backed-steel track, T80E1 and rubber track, T84E1 are also applicable with changed sprockets and final drive assemblies.
M26A1 equipped with Gun, 90-mm M3A1 and Mount, combination gun, M67A1.

TANK, MEDIUM, M46 AND M46A1



RA PD 172661

NOTE: ALL DIMENSIONS SHOWN ARE IN INCHES



Technical Manuals: 9-718, 9-1718A, 9-1718B, 9-1718C, 9-1718D, 9-1718E, 9-1718F, 9-1825A, 9-1825C, 9-1825D, 9-1825E, 9-1826H, 9-1828A, 9-1829A; Supply Catalog: SNL G-244.

Vehicle illustrated: M46.

Classification: Substitute Standard.

Purpose: To provide mobile fire power and crew protection for offensive combat.

Armament: 1 gun, 90-mm, M3A1, turret mounted; 1 gun, machine cal. .50, Browning, M2, heavy barrel (flexible) pedestal mounted on top of turret; 2 guns, machine, cal. .30, Browning, M1919A4 (flexible), 1 ball mounted at right front of hull, 1 mounted coaxially with main armament.

Ammunition: 70 rounds, 90-mm; 525 rounds, cal. .50; 5,500 cal. .30 machine gun, 90 rounds, cal. .30 carbine; 12 hand grenades; 12 ground signals.

GENERAL DATA

Crew	5
Weight, fighting	(lb) 97,000
Over-all length, gun in traveling position	(in.) 304 ¹³ / ₁₆
Shipping dimensions, uncrated	(cu ft) 2,700; (sq ft) 291
Ground pressure	(psi) 13.2
Ground clearance	(in.) 19 ³ / ₄
Pintle height, unloaded	(in.) 28 ¹ / ₂
Electrical system	(volts) 24
No. of batteries	(12-volt) 4
Type of ground	negative
Fuel octane rating	80
Capacities:	
Fuel	(gal) 233
Crankcase, refill	(qt) 72
Auxiliary engine crankcase	(qt) 3 ¹ / ₂
Transmission, cross-drive (including cooler)	(qt) 92
Final drive	(each) (qt) 8
Brakes:	
Hand-lever-controlled, hydraulic, multiple-disk steering brakes.	
Pedal operates them as service brakes.	
Parking brake, type	lever for locking service brakes
No. of ranges (high, low, and reverse)	3
Ratio from engine output to torque converter input	1.162:1
Torque-converter stall ratio	4:1
Ratio from torque converter output shaft to final drive flange:	
High range	1.4:1
Low range	4.93:1
Final-drive gear ratio	3.95:1
Hull construction	welded homogeneous armor plate

Fire Control and Vision Devices: Periscope, M16C (commander's); periscope, M13 or M13B1 or M6 (vision); periscope, M16C or M10F (gunner's); quadrant, M9; quadrant, gunner's M1; telescope, M71E5C or T152 (sight); indicator, azimuth, M20.

Communications: (SCR-508 or SCR-528 or SCR-608B) and (AN/VIA-1); or (SCR-508 or SCR-528 or SCR-608B) and (AN/VRC-3) and (AN/VIA-1); or (AN/VRC-3) and (RC-99) and (AN/VIA-1 or AN/GRC-3, -4, -5, -6, -7, or -8) and (AN/VIA-1); or (AN/VRC-7) and (AN/VIA-1).

PERFORMANCE

Maximum grade ability	(percent) 60
Turning radius	pivots in place
Fording depth	(in.) 48
Maximum width of ditch vehicle can cross	(in.) 102
Maximum vertical obstacle vehicle can climb	(in.) 36
Fuel consumption (average conditions)	(mpg) 5 ¹ / ₂
Cruising range (average conditions)	(mi) 70
Allowable speed, recommended	(mph) 30
Maximum allowable towed load, gross	(lb) 10,000

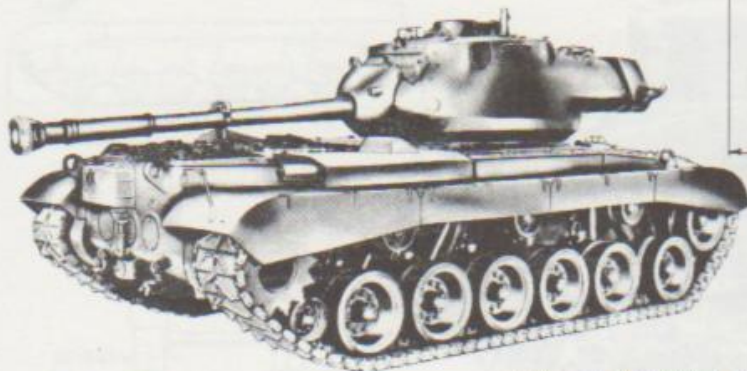
ENGINE

Manufacturer: Continental	Model AV-1790-5A (M46)
	AV-1790-5B (M46A1)
Type: 4-cycle, valve-in-head	air cooled
No. of cylinders	(90-deg V) 12
Displacement	(cu in.) 1,790
Bore	(in.) 5 ³ / ₄
Stroke	(in.) 5 ³ / ₄
Compression ratio	6.5:1
Governed speed	(rpm) 2,950
Brake horsepower (max w/std accessories)	810 at (rpm) 2,800
Torque (max w/std accessories)	1,560 lb-ft at (rpm) 2,400
Type of ignition	magneto

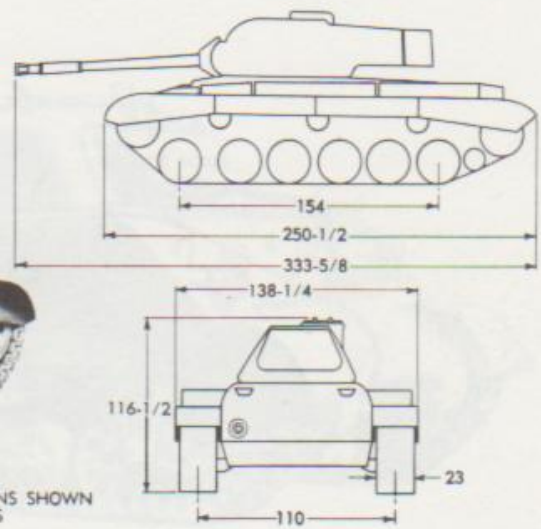
ADDITIONAL DATA

Manual and power turret-traversing mechanism.
Gun equipped with bore evacuator and muzzle brake.
Auxiliary engine: Wisconsin Model TFT.
Data given for vehicle equipped with track, rubber-backed-steel, T80E1. Track, rubber-backed-steel, T-80E4 and track, rubber, T84-E1 are interchangeable.

TANK, 90-MM GUN, M47



RA PD 172705



NOTE: ALL DIMENSIONS SHOWN ARE IN INCHES

Technical Manuals: 9-1718A, 9-1718F, 9-1730F, 9-1825C, 9-1825E, 9-1826B, 9-1828A, 9-1829A; Supply Catalog: SNL G-202

Classification: Standard.

Armament: 1 gun, 90-mm, T119, turret mounted; 1 gun, machine, cal. .50, Browning, M2, heavy barrel, turret type, mounted coaxially with main armament; 1 gun, machine, cal. .50, Browning, heavy barrel (flexible) mounted on revolving hatch on top of turret; 1 gun, machine, cal. .30, Browning, M1919A4 (flexible) ball mounted at right front of hull.

Ammunition: 71 rounds, 90-mm; 3,440 rounds, cal. .50; 180 rounds, cal. .45, sub-machine gun; 4,125 rounds, cal. .30 machine gun; 90 rounds, cal. .30 carbine; 8 smoke grenades; 12 ground signals.

Purpose: To provide mobile fire power and crew protection for offensive combat.

Fire Control and Vision Devices: Drive, ballistic, T23E1; finder, range, T41; indicator, azimuth, T24; periscope, M6 M13, or M13B1 (vision); periscope, T35 (commander, gunner); quadrant, gunner's M1; quadrant, elevation, T21.

Communications: (AN/GRC-3, -4, -5, -6, -7, or -8) and (AN/VIA-1).

GENERAL DATA

Crew	5
Weight, fighting	(lb) 97,200
Over-all length, gun in traveling position	(in.) 279 1/2
Shipping dimensions, uncrated	(cu ft) 2,610; (sq ft) 269
Ground pressure	(psi) 13.7
Ground clearance	(in.) 19 1/4
Pintle height, loaded	(in.) 28.6
Electrical system	(volts) 24
No. of batteries	4
Type of ground	negative
Fuel octane rating	80
Capacities:	
Fuel	(gal) 233
Crankcase, refill	(qt) 64
Auxiliary engine crankcase	(qt) 3 1/2
Transmission, cross-drive (including cooler)	(qt) 92
Final drive	(each) (qt) 8
Brakes:	
Hand-lever controlled, hydraulic, multiple-disk steering brakes.	
Pedal operates them as service brakes.	
Parking brake, type	Lever for locking service brakes.
No. of ranges (high, low, and reverse)	3
Ratio from engine output to torque converter input	1.162:1
Torque-converter stall ratio	4:1
Ratio from torque converter output shaft to final drive flange:	
High range	1.4:1
Low range	4.93:1
Final-drive gear ratio	4.47:1
Hull construction	Welded homogeneous armor plate and castings
Turret-ring inside diameter	(in.) 73

PERFORMANCE

Maximum grade ability	(percent) 60
Turning radius (ft)	Pivots in place
Fording depth	(in.) 48
Maximum width of ditch vehicle can cross	(in.) 102
Maximum vertical obstacle vehicle can climb	(in.) 36
Fuel consumption (average conditions)	(mpg) 0.4
Cruising range (average conditions)	(mi) 100
Allowable speed, recommended	(mph) 37
Maximum allowable towed load, gross	(lb) 10,000

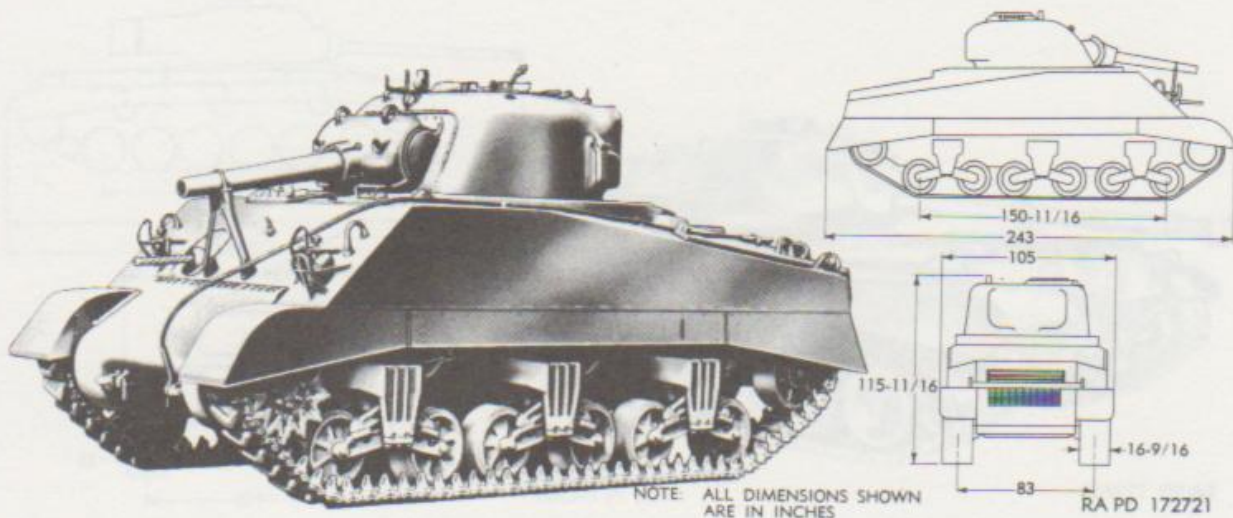
ENGINE

Manufacturer	Continental	Model AV-1790-5B
Type	4-cycle, valve-in-head; air-cooled	
No. of cylinders	(90-deg V)	12
Displacement	(cu in.)	1,790
Bore	(in.)	5 1/4
Stroke	(in.)	5 1/4
Compression ratio		6.5:1
Governed speed	(rpm)	2,950
Brake horsepower (max w/std accessories)	810 at (rpm)	2,800
Torque (max w/std accessories)	1,560 lb-ft at (rpm)	2,400
Type of ignition		magneto

ADDITIONAL DATA

Manual and power traversing and elevating mechanism.
 Gun equipped with bore evacuator and muzzle brake.
 Auxiliary generator: Wisconsin Model TFT.
 Data given for vehicle equipped w/track, steel, T80E6. Track, rubber T84E1 is interchangeable.

TANK, MEDIUM, M4, 105-MM HOWITZER



Technical Manuals: 9-731AA, 9-1725, 9-1731G, 9-1731K, 9-1750A, 9-1750B, 9-1750C, 9-1750D, 9-1750K, 9-1825A, 9-1825B, 9-1825H, 9-1828A, 9-1829A; Supply Catalog: SNL G-104.

Classification: Limited Standard.

Armament: 1 howitzer, 105-mm, M4, turret mounted; 2 guns, machine, cal. .30, Browning, M1919A4 (flexible), 1 mounted coaxially with main armament, 1 ball mounted at right front of hull; 1 gun machine, cal. .50, Browning, M2, heavy barrel (flexible) mounted on revolving hatch on top of turret.

Ammunition: 66 rounds 105-mm; 630 rounds cal. .50; 180 rounds cal. .45 for sub-machine-gun; 4,400 rounds cal. .30; 90 rounds cal. .30, carbine; 12 hand grenades; 12 ground signals.

GENERAL DATA

Crew	5
Weight, fighting	(lb) 69,385
Shipping dimensions, uncrated	(cu ft) 1,715; (sq ft) 178
Ground pressure	(psi) 13.9
Ground clearance	(in.) 18 3/4
Pintle height, loaded	(in.) 24 1/2
Electrical system	(volts) 24
No. of batteries	(12-volt) 2
Type of ground	negative
Fuel octane rating	80
Capacities:	
Fuel	(gal) 172
Auxiliary-engine fuel tank	(gal) 6
Engine oil tank	(qt) 36
Transmission, differential, and final drives (qt):	
Three-piece, round-nose	152
One-piece, sharp-nose	164
Brakes:	
Parking brake, type	mechanical, controlled-differential
Pedal for locking steering brakes	pedal for locking steering brakes
Transmission:	
Forward speeds	5
Gear ratio	High 0.73:1; Fourth 1:1; Low 7.56:1
Differential-drive gear ratio	3.53:1
Final-drive gear ratio	2.84:1
Hull construction	welded homogeneous armor plate
Armor, turret	cast homogeneous armor

Purpose: To provide mobile fire power and crew protection for offensive combat.

Fire Control and Vision Devices: Periscope, M4A1 w/telescope M77C (commander's); periscope, M10D (gunner's); periscope, M6, M13, or M13B1 (vision); quadrant, elevation, M9; quadrant, gunner's, M1; telescope, M768 (sight); indicator, azimuth, M19.

Communications: (SCR-528 or AN/GRC-3, -4, -5, -6, -7, or -8 and RC 298); or (SCR-508 or SCR-528) and (RC-298) and (AN/VRC-3); or (AN/VRC-3) and (RC-99) and (RC-298).

PERFORMANCE

Maximum grade ability	(percent) 60
Turning radius	(ft) 31
Fording depth	(in.) 36
Maximum width of ditch vehicle can cross	(in.) 90
Maximum vertical obstacle vehicle can climb	(in.) 24
Fuel consumption (average conditions)	(mpg) 0.6
Cruising range (average conditions)	(mi) 100
Allowable speed, governed	(mph) 24
Maximum allowable towed load, gross	(lb) 10,000

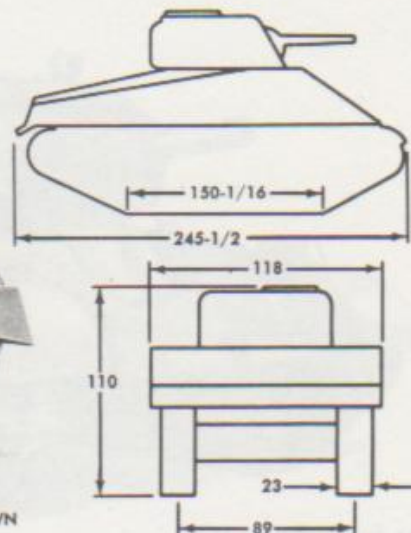
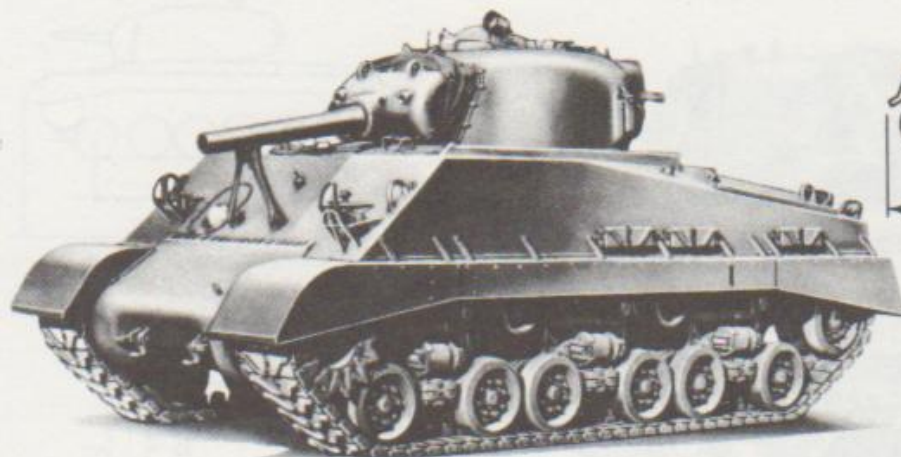
ENGINE

Manufacturer	Continental	Model R975-C4
Type	4-cycle, radial, air-cooled;	No. of cylinders 9
Displacement		(cu in.) 973
Bore		(in.) 5
Stroke		(in.) 5.5
Compression ratio		5.7:1
Governed speed		(rpm) 2,400
Brake horsepower (max w/std accessories)		400 at (rpm) 2,400
Torque (max w/std accessories)		940 lb-ft at (rpm) 1,700
Type of ignition		magneto

ADDITIONAL DATA

Auxiliary generator, Homelite Model HRUH-28.
Data given for vehicle equipped with track, rubber, T48.
Track, rubber, T51; tracks, steel, T49 and T54E1; and track, rubber-backed-steel, T74, are interchangeable.
Manual turret-traversing mechanism.

TANK, MEDIUM, M4A3, 105-MM HOWITZER



RA PD 137719

NOTE: ALL DIMENSIONS SHOWN ARE IN INCHES

Technical Manuals: 9-759, 9-1731B, 9-1731G, 9-1731K, 9-1750A, 9-1750B, 9-1750K, 9-1825A, 9-1825B, 9-1826B, 9-1828A, 9-1829A; Supply Catalog: SNL G-104.

Classification: Limited Standard.

Armament: 1 howitzer, 105-mm, M4, turret mounted; 1 gun machine cal. .30, Browning, M1919A4 (flexible) coaxially mounted w/main armament; 1 gun, machine cal. .50, Browning, M2, heavy barrel (flexible) pedestal mounted on top of turret.

Communications: (SCR-528 or AN/GRC-3, -4, -5, -6, -7, or -8) and (RC-298); or (SCR-508 or SCR-528) and (RC-298) and (AN/VRC-3); or (AN/VRC-3) and (RC-99) and (RC-298).

Purpose: To provide mobile fire power and crew protection for offensive combat.

Ammunition: 66 rounds, 105-mm; 4,000 rounds, cal. .30; 630 rounds cal. .50; 900 rounds, cal. .45 for sub-machine gun; 12 hand grenades; 12 ground signals.

Fire Control and Vision Devices: Periscope, M4A1 w/telescope M77C (gunner); periscope, M10D (commander); periscope, M13 or M13B1 or M6 (vision); quadrant elevation, M9; quadrant gunner's, M1; telescope, M76G (sight).

GENERAL DATA

Crew	5
Weight, fighting	(lb) 72,865
Shipping dimensions, uncrated	(cu ft) 1,850; (sq ft) 202
Ground pressure	(psi) 10.5
Ground clearance	(in.) 17 1/4
Pintle height, loaded	(in.) 28
Electrical system	(volts) 24
No. of batteries	(12-volts) 2
Type of ground	negative
Fuel octane rating	80
Capacities:	
Fuel	(gal) 108
Cooling system	(qt) 56
Crankcase, refill	(qt) 32
Transmission, differential, and final drives (qt):	
Three-piece, round-nose	152
One-piece, sharp-nose	164
Brakes	mechanical, controlled-differential
Parking brake, type:	
Early models	rear of transmission
Late models	pedal for locking steering brakes
Transmission forward speeds	5
Gear ratio	High 0.73:1; Fourth 1:1; Low 7.56:1
Differential-drive gear ratio	3.53:1
Final-drive gear ratio	2.84:1
Hull construction	welded homogeneous armor plate
Turret	cast homogeneous armor

PERFORMANCE

Maximum grade ability	(percent) 60
Turning radius	(ft) 31
Fording depth	(in.) 36
Maximum width of ditch vehicle can cross	(in.) 90
Maximum vertical obstacle vehicle can climb	(in.) 24
Fuel consumption (average conditions)	(mpg) 0.6
Cruising range (average conditions)	(mi) 100
Allowable speed, governed	(mph) 26
Maximum allowable towed load, gross	(lb) 1,000

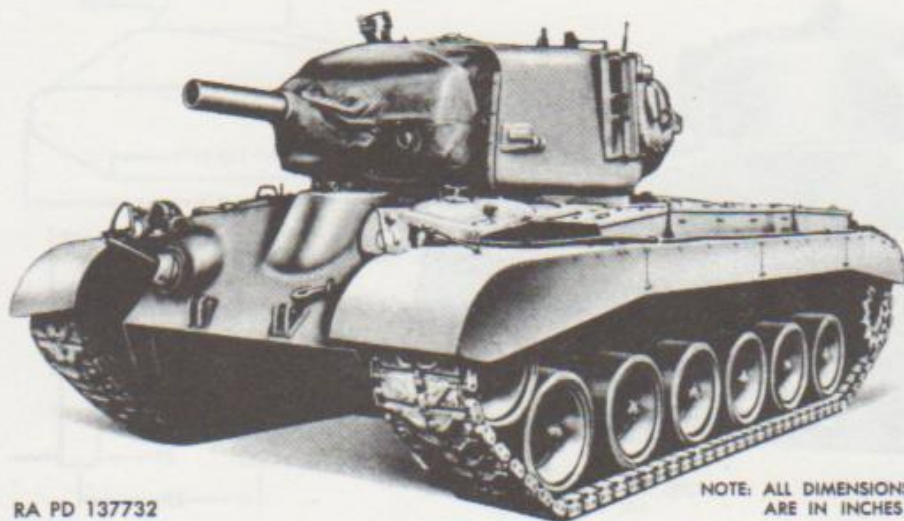
ENGINE

Manufacturer: Ford	Model GAA
Type	4-cycle, valve-in-head; No. of cylinders (60-deg V) 8
Displacement	(cu. in) 1,100
Bore	(in.) 5.4
Stroke	(in.) 6
Compression ratio	7.5:1
Governed speed	(rpm) 2,600
Brake horsepower (max w/std accessories)	450 at (rpm) 2,600
Torque (max w/std accessories)	950 lb-ft at (rpm) 2,100
Type of ignition	magneto

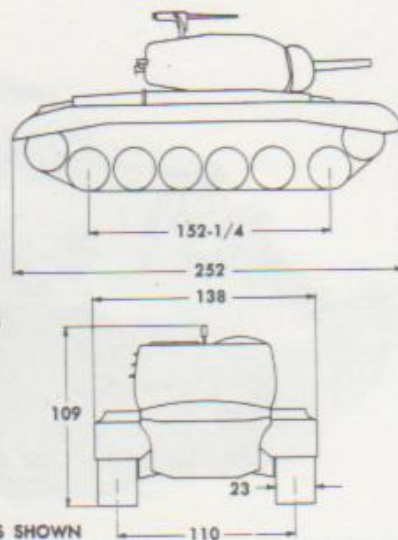
ADDITIONAL DATA

One-piece or three-piece differential housing used on this vehicle.
 Auxiliary engine: Homelite model HRUH-28.
 Manual turret-traversing mechanism.
 Data computed for vehicle equipped w/track, steel, T-66.
 Track, rubber-backed-steel, T80, and track, rubber, T84 are interchangeable.

TANK, MEDIUM, M45



RA PD 137732



NOTE: ALL DIMENSIONS SHOWN ARE IN INCHES

Technical Manuals: 9-735, 9-1731B, 9-1731D, 9-1731G, 9-1735A, 9-1735B, 9-1735C, 9-1825B, 9-1826B, 9-1826C, 9-1828A, 9-1829A; Supply Catalog: SNL G-225.

Classification: Standard.

Armament: 1 Howitzer, 105-mm, M4, turret mounted; 2 guns, machine, cal. .30, Browning, M1919A4 (flexible), 1 mounted coaxially with main armament, 1 ball mounted at right front of hull; 1 gun, machine, cal. .50, Browning, M2, heavy barrel (flexible), pedestal mounted on top of turret.

Ammunition: 74 rounds, 105-mm; 5,000 rounds, cal. .30; 550 rounds, cal. .50; 900 rounds, cal. .45, for sub-machine-gun; 12 hand grenades.

Purpose: To provide mobile fire power and crew protection for offensive combat.

Fire Control and Vision Devices: Periscope, M6, M13, or M13B1 (vision); periscope, M15 (gunner's); periscope, M18C or M10D (commander's); quadrant, elevation, M9; quadrant, gunner's, M1; telescope, M76G (sight); telescope, elbow, M62 (sight); indicator, azimuth, M20.

Communications: (SCR-528 or SCR-608 or AN/GRC-3, -4, -5, -6, -7, or -8) and (RC-298); or (SCR-508 or SCR-528) and (RC-298) and (AN/VRC-3); or (AN/VRC-3) and (RC-99) and (RC-298).

GENERAL DATA

Crew	5
Weight, fighting	(lb) 92,500
Shipping dimensions, uncrated	(cu ft) 2,190; (sq ft) 242
Ground pressure	(psi) 13.4
Ground clearance	(in.) 17 3/4
Pintle height, loaded	(in.) 28
Electrical system	(volts) 24
No. of batteries	(12-volt) 2
Type of ground	negative
Fuel octane rating	80
Capacities:	
Fuel	(gal) 191
Cooling system	(qt) 88
Crankcase, refill	(qt) 32
Auxiliary engine crankcase	(qt) 3
Transmission (including cooler)	(qt) 54 1/2
Differential	(qt) 72
Final drives	(each) (qt) 7
Brakes	mechanical, controlled-differential
Parking brake, type	hand-lever locks on steering brakes
Transmission (torqmatic):	
forward speeds	3
Gear ratio	High 0.336:1; Low 1.377:1
Differential-drive gear ratio	3.41:1
Final-drive gear ratio	3.95:1
Hull construction	cast homogeneous armor and welded armor plate

PERFORMANCE

Maximum grade ability	(percent) 60
Turning radius	(ft) 31
Fording depth	(in.) 48
Maximum width of ditch vehicle can cross	(in.) 95
Maximum vertical obstacle vehicle can climb	(in.) 46
Fuel consumption (average conditions)	(mpg) 0.5
Cruising range (average conditions)	(mi) 100
Allowable speed, governed	(mph) 30
Maximum allowable towed load, gross	(lb) 10,000

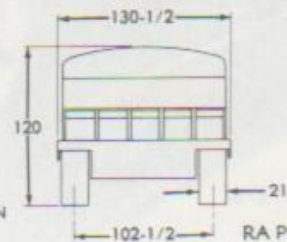
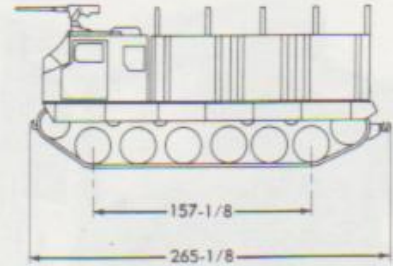
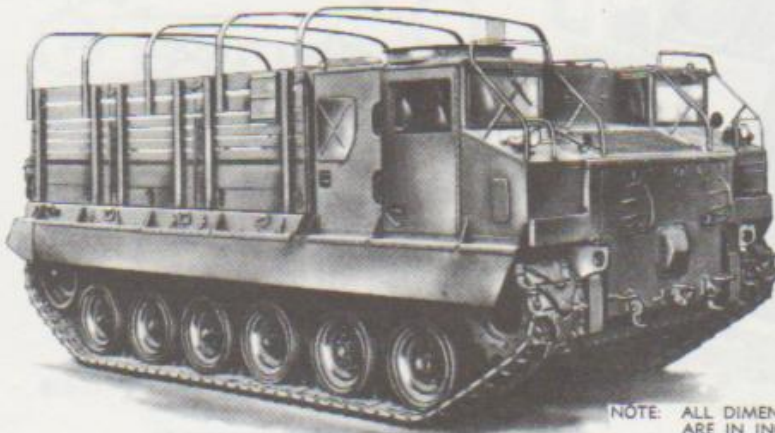
ENGINE

Manufacturer: Ford	Model GAF
Type	4-cycle, valve-in-head; No. of cylinders (60-deg V) 8
Displacement	(cu in.) 1,100
Bore	(in.) 5.4
Stroke	(in.) 6
Compression ratio	7.5:1
Governed speed	(rpm) 2,800
Brake horsepower (max w/std accessories)	500 at (rpm) 2,600
Torque (max w/std accessories)	950 lb-ft at (rpm) 2,100
Type of ignition	magneto

ADDITIONAL DATA

Auxiliary engine: Waukeschau, Model G-TGU.
 Data given for vehicle equipped with track, rubber-backed-steel, T80E1.
 Track, rubber, T84E1 is interchangeable.
 Manual and power turret-traversing mechanism.
 Equipped with elevation stabilizer.

TRACTOR, CARGO, M8E2



NOTE: ALL DIMENSIONS SHOWN ARE IN INCHES

RA PD 172687

Technical Manuals: 9-1730B, 9-1828A, 9-1829A; Supply Catalog: SNL G-252.

Classification: Standard.

Armament: 1 ring mount M-68 at top of cab.

Ammunition: 525 rounds cal. .50; 360 rounds cal. .30 carbine; 10 rockets.

GENERAL DATA

Crew	2
Weight (lb)	Net 37,500; Payload 17,500; Gross 55,000
Shipping dimensions, uncrated	(cu ft) 2,420; (sq ft) 242
Ground pressure	(psi) 8.3
Vehicle dimensions:	
Ground clearance	(in.) 19 3/4
Pintle height, loaded	(in.) 30
Loading height, empty	(in.) 57 3/4
Body inside dimensions (in.):	
Length 157	Width 114 3/4; Height 62 3/4
Cargo space	(cu ft) 650
Electrical system	(volts) 24
No. of batteries	2
Type of ground	negative
Fuel octane rating	80
Capacities:	
Fuel	(gal) 225
Crankcase, refill	(qt) 44
Transmission, cross-drive (including cooler)	(qt) 72
Power take-off	(qt) 1
Winch:	
Oil	(qt) 336
Transmission	(qt) 6
Load	(lb) 45,000
Final drive (each)	(qt) 5
Brakes:	
Hand-lever controlled, hydraulic, multiple-disk steering brakes. Pedal operates them as service brakes.	
Parking brake, type..... Lever for locking service brakes	
Ratio from engine output to torque converter input	0.715 : 1
Torque-converter stall ratio	3.8 : 1
No. of ranges (high, low, and reverse)	3
Ratio from torque converter output shaft to final drive flange:	
High range 1.4 : 1; Low range 5.34 : 1	
Final-drive gear ratio	4.75 : 1
Hull construction	welded sheet steel

Purpose: To tow heavy artillery, transport personnel, cargo, or ammunition over all types of terrain.

PERFORMANCE

Maximum grade ability	(percent) 60
Turning radius (ft)	pivots in place
Fording depth	(in.) 42
Maximum width of ditch vehicle can cross	
forward	(in.) 84
reverse	(in.) 80
Maximum vertical obstacle vehicle can climb	(in.) 30
Fuel consumption (average conditions)	(mpg) 0.8
Cruising range (average conditions)	(mi) 180
Maximum speed	(mph) 40
Maximum allowable towed load, gross	(lb) 39,000

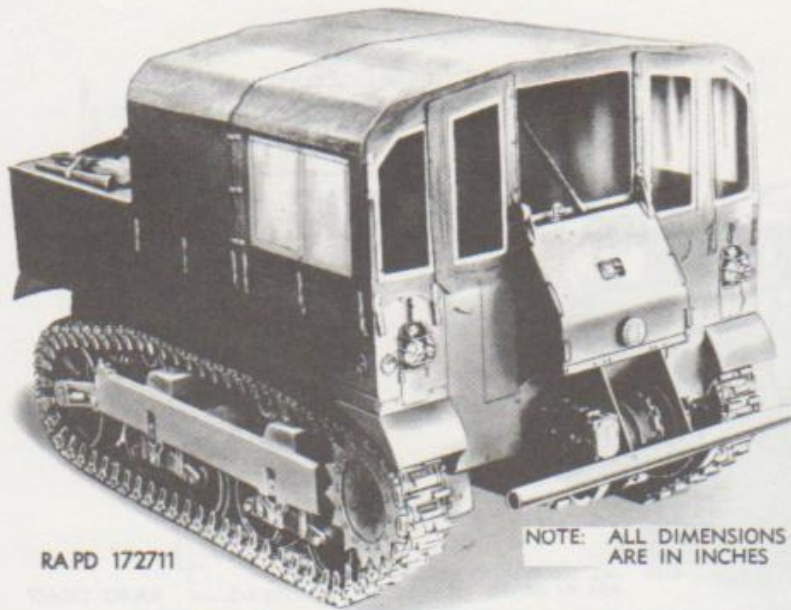
ENGINE

Manufacturer	Continental	Model	AGS 895-3
Type	4-cycle, valve-in-head, air cooled; No. of cylinders (opposed) 6		
Displacement	(cu in.) 895		
Bore	(in.) 5 3/4		
Stroke	(in.) 5 3/4		
Compression ratio	5.5 : 1		
Governed speed	(rpm) 2,800		
Brake horsepower (max w/std accessories)	363 at (rpm) 2,800		
Torque (max w/std accessories)	760 lb-ft at (rpm) 2,060		
Type of ignition	magneto		

ADDITIONAL DATA

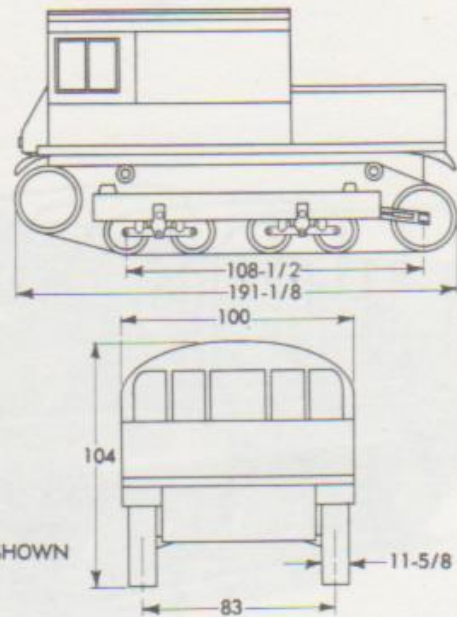
Data given for vehicle equipped with track, rubber-backed-steel, T91E3 w/detachable rubber grousers.

TRACTOR, HIGH-SPEED, 13-TON, M5



RAPD 172711

NOTE: ALL DIMENSIONS SHOWN ARE IN INCHES



Technical Manuals: 9-786, 9-1786A, 9-1786B, 9-1825A, 9-1826A, 9-1826C, 9-1828A, 9-1829A; Supply Catalog: SNL G-162.

Classification: Standard.

Armament: See Additional Data.

Ammunition: 56 rounds, 105-mm or 24 rounds, 155-mm with extra primers and fuzes; 550 rounds cal. .50.

Purpose: To tow heavy artillery over rough terrain, and transport gun crews and ammunition.

GENERAL DATA

Crew.....	9
Weight, fighting.....	(lb) 28,572
Shipping dimensions, uncrated.....	(cu ft) 1,150; (sq ft) 133
Ground pressure.....	(psi) 11.3
Ground clearance.....	(in.) 19 3/4
Pintle height, loaded.....	(in.) 28 1/4
Electrical system.....	(volts) 12
No. of batteries.....	1
Type of ground.....	negative
Fuel octane rating.....	70
Capacities:	
Fuel.....	(gal) 100
Cooling system.....	(qt) 100
Crankcase, refill.....	(qt) 22
Winch:	
Oil capacity.....	(pt) 134
Load capacity.....	(lb) 15,000
Clutch-reduction-gear case.....	(pt) 314
Clutch selector unit.....	(pt) 3
Transmission and differential.....	(qt) 48
Final drive.....	(each) (qt) 3
Brakes.....	mechanical, controlled-differential
Parking brake, type.....	buttons for locking steering levers
Clutch gear-reduction unit:	
Speeds.....	2
Gear ratio.....	High 1:1; Low 1.71:1
Transmission:	
Forward speeds.....	4
Gear ratio.....	High 1:1; Low 5.43:1
Differential-drive gear ratio.....	2.6:1
Final-drive gear ratio.....	2.353:1

PERFORMANCE

Maximum grade ability.....	(percent) 50
Turning radius.....	(ft) 20
Fording depth.....	(in.) 53
Maximum width of ditch vehicle can cross.....	(in.) 66
Maximum vertical obstacle vehicle can climb.....	(in.) 18
Fuel consumption (average conditions).....	(mpg) 1 1/2
Cruising range (average conditions).....	(mi) 150
Maximum allowable speed, recommended.....	(mph) 30
Maximum allowable towed load, gross.....	(lb) 20,000

ENGINE

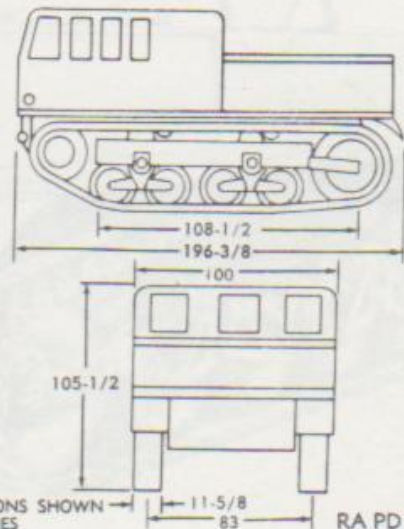
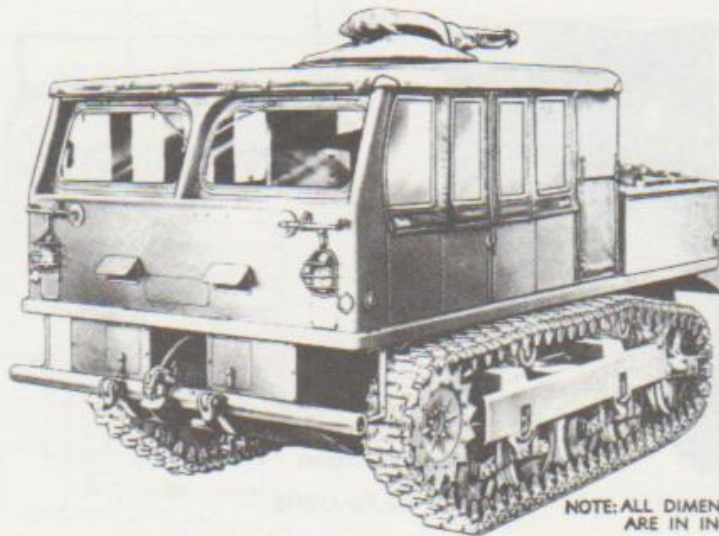
Manufacturer.....	Continental	Model R6572
Type.....	4-cycle, valve-in-head, No. of cylinders (in line) 6	
Displacement.....	(cu in.) 572	
Bore.....	(in.) 4 3/4	
Stroke.....	(in.) 5 3/4	
Compression ratio.....	6.5:1	
Governed speed.....	not governed	
Brake horsepower (max w/std accessories).....	207 at (rpm) 2,900	
Torque (max w/std accessories).....	455 lb-ft at (rpm) 1,600	
Type of ignition.....	distributor	

ADDITIONAL DATA

Provided with electric- and air-brake systems for use with trailers. Some vehicles provided with ring mount for cal. .50 machine gun, all others may be converted.

Data given for vehicle equipped with track, rubber, T16. Tracks, steel, T36E6 and T54E1, and track, rubber, T44 are interchangeable.

TRACTOR, HIGH-SPEED, 13-TON, M5A1



NOTE: ALL DIMENSIONS SHOWN ARE IN INCHES RA PD 172702

Technical Manuals: 9-786, 9-1786A, 9-1786B, 9-1825A, 9-1826A, 9-1826C, 9-1828A, 9-1829A; Supply Catalog: SNL G-162.

Classification: Substitute Standard.

Armament: Ring mount for gun, machine, cal. .50, Browning, M2, heavy barrel (flexible).

Ammunition: 56 rounds, 105-mm or 24 rounds, 155-mm with extra fuzes and primers; 550 rounds cal. .50.

Purpose: To tow heavy artillery over rough terrain, and transport gun crews and ammunition.

GENERAL DATA

Crew	11
Weight, fighting	(lb) 30,405
Shipping dimensions, uncrated	(cu ft) 1,200; (sq ft) 137
Ground pressure	(psi) 12.1
Ground clearance	(in.) 19 ³ / ₄
Pintle height, loaded	(in.) 28 ¹ / ₂
Electrical system	(volts) 12
No. of batteries	1
Type of ground	negative
Fuel octane rating	70
Capacities:	
Fuel	(gal) 100
Cooling system	(qt) 100
Crankcase, refill	(qt) 22
Winch:	
Oil capacity	(pt) 154
Load capacity	(lb) 15,000
Clutch-reduction-gear case	(pt) 334
Clutch-selector unit	(pt) 3
Transmission and differential	(qt) 48
Final drive	(each) (qt) 3
Brakes:	mechanical, controlled-differential
Parking brake, type	buttons for locking steering levers
Clutch gear-reduction-unit:	
Speeds	2
Gear ratio	High 1:1; Low 1.71:1
Transmission:	
Forward speeds	4
Gear ratio	High 1:1; Low 5.43:1
Differential-drive gear ratio	2.6:1
Final-drive gear ratio	2.353:1

PERFORMANCE

Maximum grade ability	(percent) 50
Turning radius	(ft) 20
Fording depth	(in.) 53
Maximum width of ditch vehicle can cross	(in.) 66
Maximum vertical obstacle vehicle can climb	(in.) 18
Fuel consumption (average conditions)	(mpg) 11 ¹ / ₂
Cruising range (average conditions)	(mi) 150
Allowable speed, recommended	(mph) 30
Maximum allowable towed load, gross	(lb) 20,000

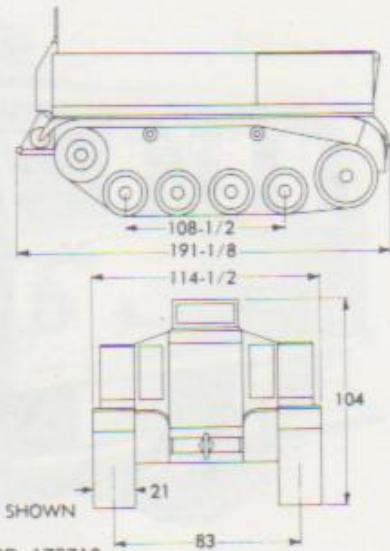
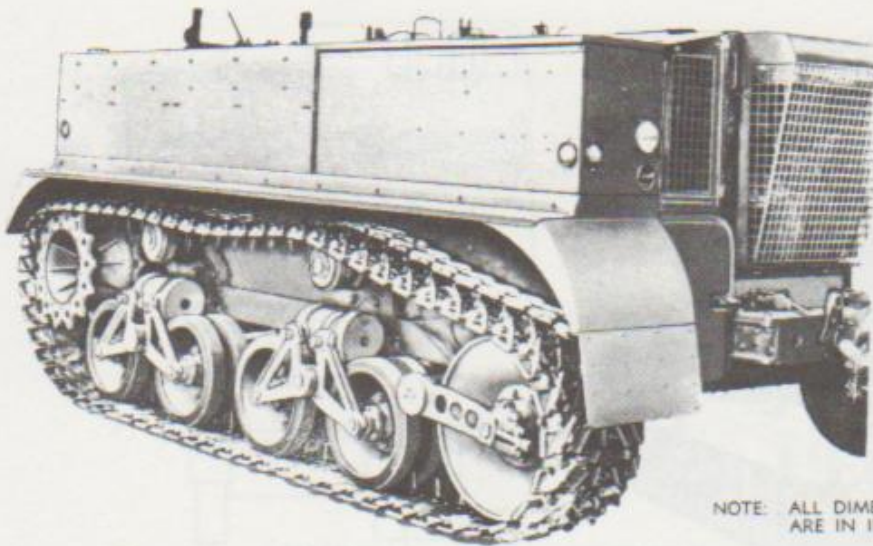
ENGINE

Manufacturer	Continental	Model R6572
Type	4-cycle, valve-in-head; No. of cylinders (in line)	6
Displacement	(cu in.)	572
Bore	(in.)	434
Stroke	(in.)	534
Compression ratio	6.5:1	
Governed speed	not governed	
Brake horsepower (max w/std accessories)	207 at (rpm)	2,900
Torque (max w/std accessories)	455 lb-ft at (rpm)	1,600
Type of ignition	distributor	

ADDITIONAL DATA

Provided with electric- and air-brake systems for use with trailers. Data given for vehicle equipped with track, rubber, T16. Tracks, steel, T36E6 and T56E1, and track, rubber, T44 are interchangeable.

TRACTOR, HIGH-SPEED, 13-TON, M5A2



NOTE: ALL DIMENSIONS SHOWN ARE IN INCHES

RA PD 172718

Technical Manuals: 9-786, 9-1786A, 9-1786B, 9-1825A, 9-1826A, 9-1826C, 9-1828A, 9-1829A; Supply Catalog: SNL G-162.

Classification: Substitute Standard.
Armament: See Additional Data.
Ammunition: 56 rounds, 105-mm, or 24 rounds, 155-mm with extra fuzes and primers; 550 rounds cal. .50.

Purpose: To tow heavy artillery over rough terrain, and transport gun crews and ammunition.

GENERAL DATA

Crew	9
Weight, fighting	(lb) 26,149
Shipping dimensions, uncrated	(cu ft) 1,315; (sq ft) 152
Ground pressure	(psi) 5.7
Ground clearance	(in.) 19 3/4
Pintle height, loaded	(in.) 28 3/4
Electrical system	(volts) 12
No. of batteries	1
Type of ground	negative
Fuel octane rating	70
Capacities:	
Fuel	(gal) 100
Cooling system	(qt) 100
Crankcase, refill	(qt) 22
Winch:	
Oil capacity	(pt) 13 1/4
Load capacity	(lb) 15,000
Clutch reduction-gear case	(pt) 3 1/4
Clutch selector unit	(pt) 3
Transmission and differential	(qt) 48
Final drive	(each) (qt) 3
Brakes	mechanical, controlled-differential
Parking brake, type	buttons for locking steering brakes
Clutch gear-reduction unit:	
Speeds	2
Gear ratio	High 1:1; Low 1.71:1
Transmission:	
Forward speeds	4
Gear ratio	High 1:1; Low 5.43:1
Differential-drive gear ratio	2.6:1
Final-drive gear ratio	2.53:1

PERFORMANCE

Maximum grade ability	(percent) 50
Turning radius	(ft) 20
Fording depth	(in.) 53
Maximum width of ditch vehicle can cross	(in.) 66
Maximum vertical obstacle vehicle can climb	(in.) 18
Fuel consumption (average conditions)	(mpg) 1 1/4
Cruising range (average conditions)	(mi) 150
Allowable speed, recommended	(mph) 30
Maximum allowable towed load, gross	(lb) 20,000

ENGINE

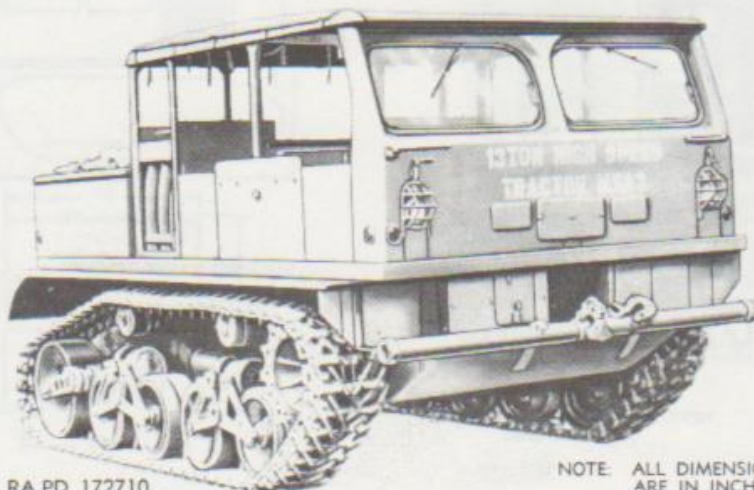
Manufacturer:	Continental	Model:	R6572
Type	4-cycle, valve-in-head; No. of cylinders (in line) 6		
Displacement	(cu in.) 572		
Bore	(in.) 4 3/4		
Stroke	(in.) 5 3/4		
Compression ratio	8.5:1		
Governed speed	not governed		
Brake horsepower (max w/std accessories)	207 at (rpm) 2,900		
Torque (max w/std accessories)	455 lb-ft at (rpm) 1,600		
Type of ignition	distributor		

ADDITIONAL DATA

Provided with electric- and air-brake systems for use with trailers. Some vehicles equipped with ring mount for cal. .50 machine gun; others can be converted.

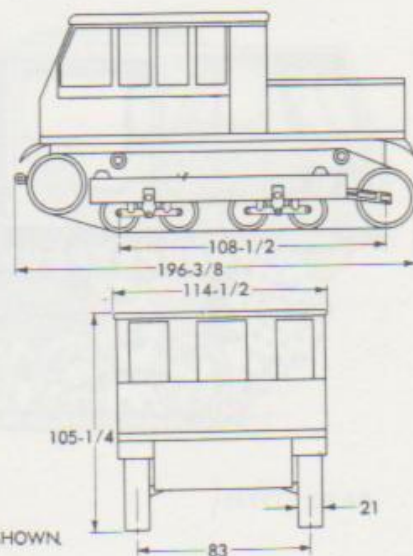
Data given for vehicle equipped with track, steel, T82.

TRACTOR, HIGH-SPEED, 13-TON, M5A3



RA PD 172710

NOTE: ALL DIMENSIONS SHOWN ARE IN INCHES



Technical Manuals: 9-786, 9-1786A, 9-1786B, 9-1825A, 9-1826A, 9-1826C, 9-1828A, 9-1829A; Supply Catalog: 8NL G-162

Classification: Standard.

Armament: Ring mount for gun, machine, cal. .50, Browning, M2, heavy barrel (flexible).

Ammunition: 56 rounds, 105-mm or 24 rounds, 155-mm with extra fuzes and primers; 550 rounds cal. .50.

Purpose: To tow heavy artillery over rough terrain, and transport gun crews and ammunition.

GENERAL DATA

Crew.....	11
Weight, fighting.....	(lb) 30,350
Shipping dimensions, uncrated.....	(cu ft) 1,375; (sq ft) 157
Ground pressure.....	(psi) 6.7
Ground clearance.....	(in.) 19 3/4
Pintle height, loaded.....	(in.) 28 1/2
Electrical system.....	(volts) 12
No. of batteries.....	1
Type of ground.....	negative
Fuel octane rating.....	70
Capacities:	
Fuel.....	(gal) 100
Cooling system.....	(qt) 100
Crankcase, refill.....	(qt) 22
Winch:	
Oil capacity.....	(pt) 1 1/4
Load capacity.....	(lb) 15,000
Clutch-reduction-gear case.....	(pt) 3 1/4
Clutch selector unit.....	(pt) 3
Transmission and differential.....	(qt) 48
Final drive.....	(each) (qt) 3
Brakes:	mechanical, controlled-differential
Parking brake, type.....	buttons for locking steering levers
Clutch gear-reduction unit:	
Speeds.....	2
Gear ratio.....	High 1:1; Low 1.71:1
Differential-drive gear ratio.....	2.6:1
Final-drive gear ratio.....	2.353:1
Transmission:	
Forward speeds.....	4
Gear ratio.....	High 1:1; Low 5.43:1

PERFORMANCE

Maximum grade ability.....	(percent) 50
Turning radius.....	(ft) 20
Fording depth.....	(in.) 53
Maximum width of ditch vehicle can cross.....	(in.) 66
Maximum vertical obstacle vehicle can climb.....	(in.) 18
Fuel consumption (average conditions).....	(mpg) 1 1/4
Cruising range (average conditions).....	(mi) 150
Allowable speed, recommended.....	(mph) 30
Maximum allowable towed load, gross.....	(lb) 20,000

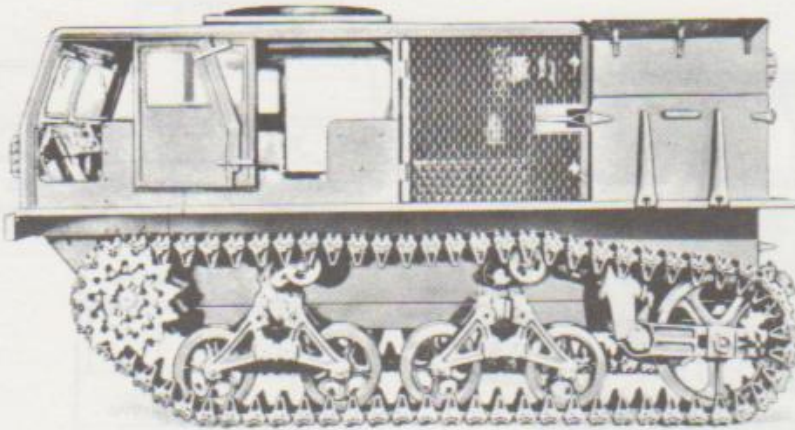
ENGINE

Manufacturer: Continental.....	Model: R6572
Type.....	4-cycle, valve-in-head; No. of cylinders (in line) 6
Displacement.....	(cu in.) 572
Bore.....	(in.) 4 3/4
Stroke.....	(in.) 5 3/8
Compression ratio.....	6.5:1
Governed speed.....	not governed
Brake horsepower (max w/std accessories).....	207 at (rpm) 2,900
Torque (max w/std accessories).....	455 lb-ft at (rpm) 1,600
Type of ignition.....	distributor

ADDITIONAL DATA

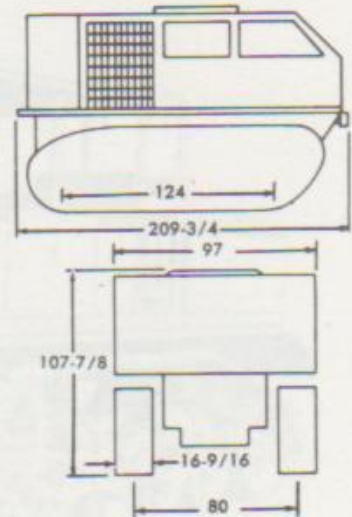
Provided with electric- and air-brake systems for use with trailers. Data given for vehicle equipped with track, steel, T82.

TRACTOR, HIGH-SPEED, 18-TON, M4, M4A1, M4C, AND M4A1C



RA PD 172748

NOTE: ALL DIMENSIONS SHOWN ARE IN INCHES



Technical Manuals: 9-785, 9-1785A, 9-1785B, 9-1825A, 9-1826C, 9-1827A, 9-1828A, 9-1829A; Supply Catalog: SNL G-150.

Vehicle illustrated: M4.

Classification: Limited Standard.

Armament: Ring mount on top of cab for 1 gun, machine, cal. .50, Browning, M2, heavy barrel (flexible), or 1 gun, machine, cal. .30, Browning, M1919A4 (flexible).

Purpose: To tow heavy artillery over rough terrain and transport gun crews and ammunition.

Ammunition: 54 rounds, 90-mm or 105-mm; 550 rounds, cal. .50.

GENERAL DATA

Crew	11
Weight, fighting	(lb) 31,400
Shipping dimensions, uncrated	(cu ft) 1,270; (sq ft) 141
Ground pressure	(psi) 7.6
Ground clearance	(in.) 20 5/8
Pintle height, loaded	(in.) 29
Electrical system	(volts) 12
No. of batteries	1
Type of ground	negative
Fuel octane rating	70
Capacities:	
Fuel	(gal) 125
Cooling system	(qt) 72
Crankcase, refill	(qt) 18
Winch:	
Oil capacity	(qt) 3
Load capacity	(lb) 30,000
Torque-converter-pump-drive housing	(qt) 1
Torque converter	(qt) 34
Fan-drive-gear housing	(qt) 34
Fan-drive housing	(qt) 34
Transmission and differential	(qt) 28
Final drive	(each) (qt) 10
Brakes	mechanical, controlled-differential
Parking brake, type	knobs for locking steering brakes
Torque-converter stall ratio	4.8:1
Transmission:	
Forward speeds	3
Gear ratio	High 0.438:1, Low 1.56:1; Creeper gear 2.16:1
Differential-drive gear ratio	2.682:1
Final-drive gear ratio	2.764:1

PERFORMANCE

Maximum grade ability	(percent) 30
Turning radius	(ft) 18 1/2
Fording depth	(in.) 41

PERFORMANCE—Continued

Maximum width of ditch vehicle can cross	(in.) 60
Maximum vertical obstacle vehicle can climb	(in.) 29
Fuel consumption (average conditions)	(mpg) 0.8
Cruising range (average conditions)	(mi) 100
Allowable speed, governed	(mph) 35
Maximum allowable towed load, gross	(lb) 38,700

ENGINE

Manufacturer	Waukesha	Model	145GZ
Type	4-cycle, valve-in-head; No. of cylinders (in line) 6		
Displacement	(cu in.) 817		
Bore	(in.) 5 1/4		
Stroke	(in.) 6		
Compression ratio	5.95:1		
Governed speed	(rpm) 2,100		
Brake horsepower (max w/std accessories)	190 at (rpm) 2,100		
Torque (max w/std accessories)	600 lb-ft at (rpm) 1,200		
Type of ignition	distributor		

ADDITIONAL DATA

Provided with electric- and air-brakes systems for use with trailers. Data given for vehicle equipped with track, rubber, T48. Tracks, steel, T49 and T54E1 are interchangeable.

Above data are for M4. Changes for others are as follows: M4C carries 30 rounds, 155-mm or 12 rounds, 240-mm and 550 rounds cal. .50.

M4A1 carries 30 rounds, 155-mm or 12 rounds, 240-mm and 550 rounds cal. .50. A hoist is provided for handling the shells.

Changes in data for M4A1:

Tracks used: Track, rubber, T48 with extended end connectors, tracks, steel, T49 and T54E1 with extended end connectors.

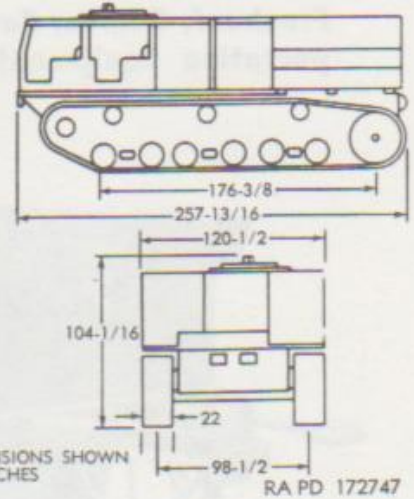
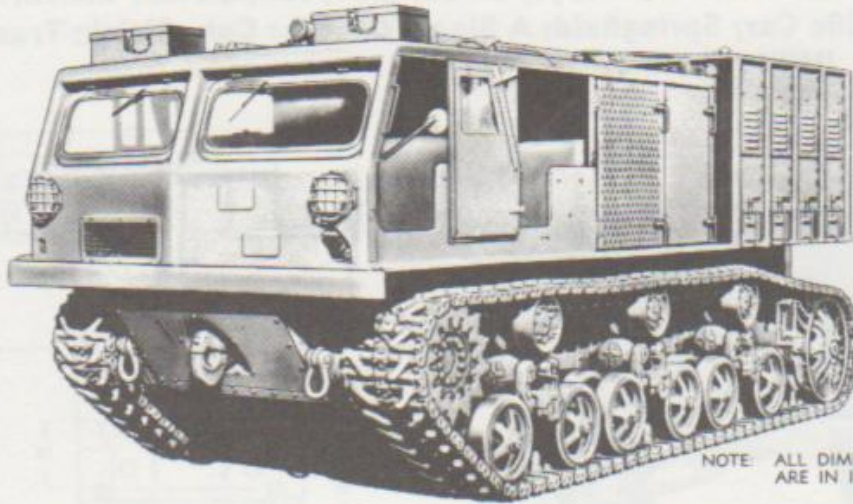
Over-all width (in.) 111

Ground pressure (psi) 5.4

Shipping dimensions, uncrated (cu ft) 1,460; (sq ft) 162

M4A1C is the same as M4A1, except the M4A1C has provision for stowage of shells in the rear crew compartment.

TRACTOR, HIGH-SPEED, 38-TON, M6



NOTE: ALL DIMENSIONS SHOWN ARE IN INCHES

RA PD 172747

Technical Manuals: 9-788, 9-1785A, 9-1788, 9-1825A, 9-1826C, 9-1827A, 9-1828A, 9-1829A; Supply Catalog: SNL G-184.

Classification: Standard.

Armament: Ring mount on top of cab for gun, machine, cal. .50, Browning, M2, heavy barrel (flexible).

Ammunition: 14 rounds, 240-mm, or 14 rounds, 8-inch, or 32 rounds, 120-mm; extra fuzes and primers; 550 rounds cal. .50.

Purpose: To tow heavy artillery and transport gun crews and ammunition.

GENERAL DATA

Crew.....	11
Weight, gross.....	(lb) 76,000
Shipping dimensions, uncrated.....	(cu ft) 1,870; (sq ft) 215
Ground pressure.....	(psi) 9.8
Ground clearance.....	(in.) 21½
Pintle height, loaded.....	(in.) 30
Electrical system.....	(volts) 12
No. of batteries.....	(12-volt) 2
Type of ground.....	negative
Fuel octane rating.....	70
Capacities:	
Fuel.....	(gal) 300
Cooling system.....	(each) (qt) 72
Crankcase, refill.....	(each) (qt) 20
Winch:	
Oil capacity.....	(qt) 4
Load capacity.....	(lb) 55,000
Torque-converter-pump-drive housing.....	(each) (qt) 1
Torque converter.....	(each) (qt) 38
Fan-drive-gear housing.....	(each) (qt) 1¼
Transmission and differential.....	(qt) 88
Final drive.....	(each) (qt) 25
Brakes.....	mechanical, controlled-differential
Parking brake, type.....	knobs for locking steering brakes
Transmission:	
Forward speeds.....	2
Gear ratio.....	High 0.695:1; Low 2.12:1
Torque-converter stall ratio.....	4.8:1
Differential-drive gear ratio.....	2.682:1
Final-drive gear ratio.....	3.06:1

PERFORMANCE

Maximum grade ability.....	(percent) 60
Turning radius.....	(ft) 26½
Fording depth.....	(in.) 54
Maximum width of ditch vehicle can cross:	
Forward.....	(in.) 102
Reverse.....	(in.) 96
Maximum vertical obstacle vehicle can climb.....	(in.) 30
Fuel consumption (average conditions).....	(mpg) 0.3
Cruising range (average conditions).....	(mi) 100
Maximum speed.....	(mph) 21
Maximum allowable towed load, gross.....	(lb) 50,000

ENGINE

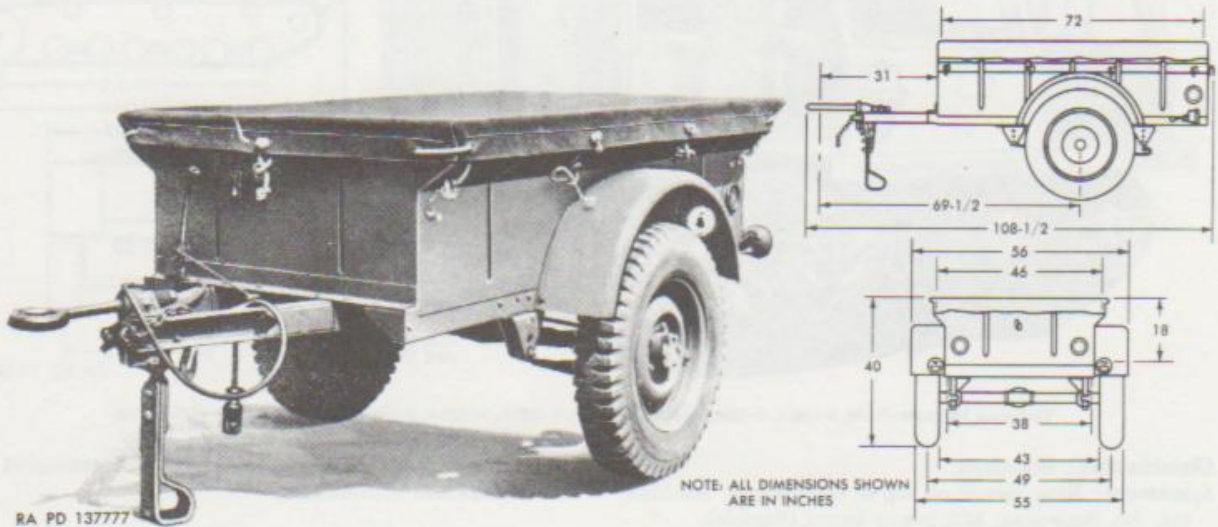
Manufacturer:	Waukesha	No. used 2; Model 145GZ
Type.....	4-cycle, valve-in-head; No. of cylinders (in line) 6	
Displacement.....	(cu in.) 817	
Bore.....	(in.) 5¾	
Stroke.....	(in.) 6	
Compression ratio.....	5.95:1	
Governed speed.....	(rpm) 2,100	
Brake horsepower (max w/std accessories).....	190 at (rpm) 2,100	
Torque (max w/std accessories).....	600 lb-ft at (rpm) 1,200	
Type of ignition.....	distributor	

ADDITIONAL DATA

Provided with electric- and air-brake systems for use with trailers.
Data given for vehicle equipped with track, steel, T73. Track rubber-backed-steel, T80E2, and track, rubber, T84E2 are applicable with spaced-out sprockets.

TRAILER, CARGO, 1/4-TON, 2-WHEEL

(American Bantam, Model T3, 1942-43; Willys, Model MBT, Amphibian; Converto; Fruehauf; Gemco; Pacific Car; Springfield; A Black; Checker Cab; Strick; Transportation Equipment; Utility)



RA PD 137777

NOTE: ALL DIMENSIONS SHOWN ARE IN INCHES

Technical Manual: 10-1281; Supply Catalog: SNL G-529.

Vehicle illustrated: Willys.
Classification: Standard.

Purpose: To transport general cargo on land or water.

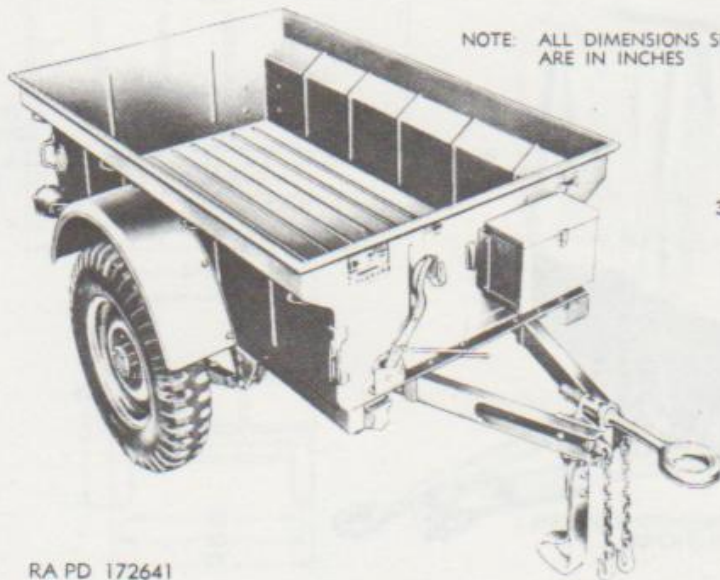
GENERAL DATA

Weight (lb): Net.....	550
Payload.....	off highway 500; on highway 1,000
Gross.....	off highway 1,050; on highway 1,550
Weight distribution (lb):	
Empty.....	lunette 80; axle 470
Loaded:	
Off highway.....	lunette 153; axle 897
On highway.....	lunette 226; axle 1,324
Tires.....	Ply 6; Size 6.00 x 16; Pressure (psi) 30
Shipping dimensions, uncrated.....	(cu ft) 116; (sq ft) 42
Vehicle dimensions:	
Ground clearance.....	(in.) 12½
Lunette height, empty.....	(in.) 22
Cargo space.....	(cu ft) 29
Parking brake, type.....	mechanical
Towing vehicles to be used:	
Any land vehicle or amphibian equipped with pintle hook	

ADDITIONAL DATA

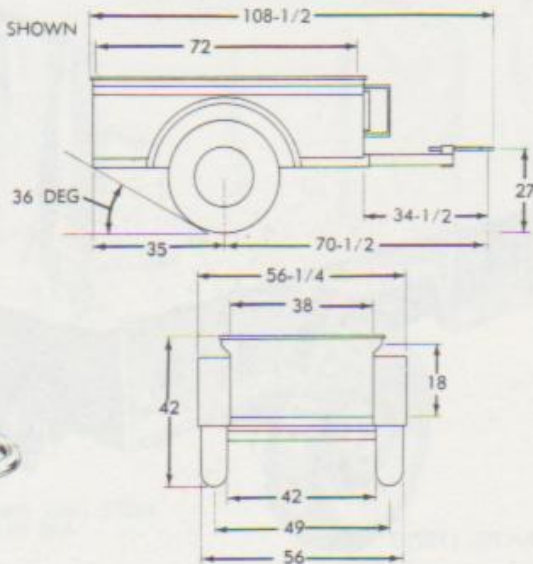
Trailer will float with 500-pound payload, with 6 inches freeboard.

TRAILER, CARGO, 1/4-TON, 2-WHEEL, M100



RA PD 172641

NOTE: ALL DIMENSIONS SHOWN ARE IN INCHES



Technical Manual: 9-871A; Supply Catalog: SNL G-747.

Classification: Standard.

Purpose: To transport general cargo on land or water.

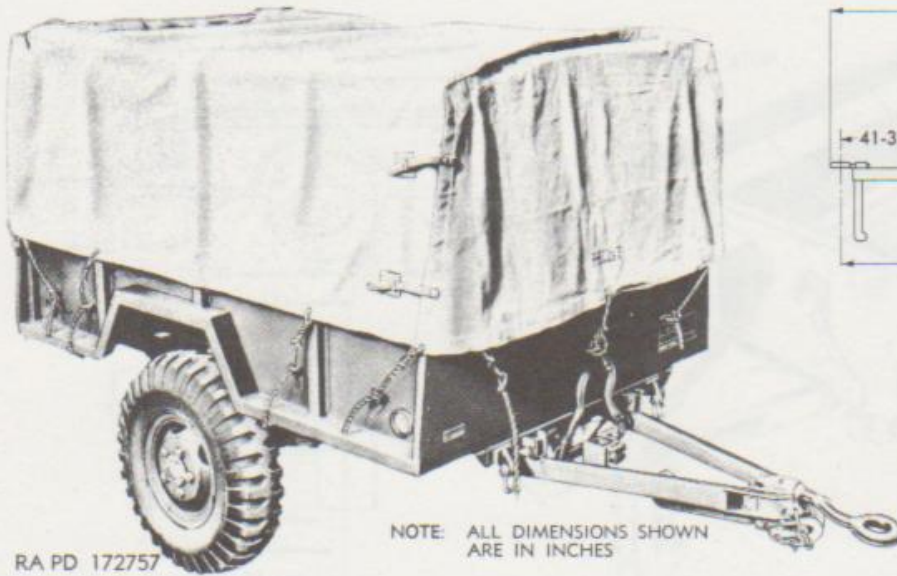
GENERAL DATA

Weight (lb): Net.....	56 ⁵
Payload.....	off highway 500; on highway 75 ⁰
Gross.....	off highway 1,065; on highway 1,315
Weight distribution (lb):	
Empty.....	lunette 85; axle 480
Loaded:	
Off highway.....	lunette 100; axle 965
On highway.....	lunette 120; axle 1,195
Tires.....	Ply 6; Size 7.00 x 16; Pressure (psi) 35
Shipping dimensions, uncrated.....	(cu ft) 149; (sq ft) 43
Vehicle dimensions:	
Ground clearance.....	(in.) 13 1/4
Loading height, empty.....	(in.) 42
Body inside dimensions (in):	
Length 72.....	Width 38; Height 18
Cargo space.....	(cu ft) 28 1/4
Parking brake, type.....	mechanical
Towing vehicle to be used:	
Any land or amphibious vehicle equipped with pintle hook.	

ADDITIONAL DATA

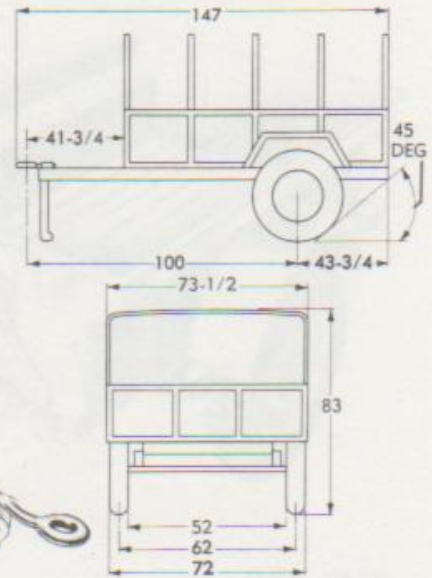
Trailer will float with 500-lb payload.

TRAILER, CARGO, 3/4-TON, 2-WHEEL, M101



RA PD 172757

NOTE: ALL DIMENSIONS SHOWN ARE IN INCHES



Purpose: To transport general cargo.

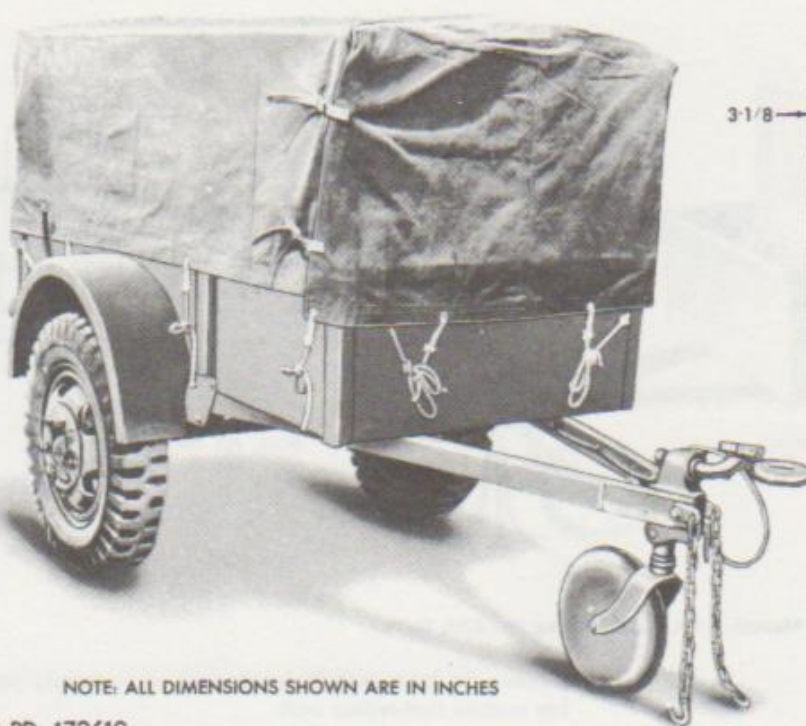
GENERAL DATA

Weight (lb).....	Net 1,340
Payload.....	off highway 1,600; on highway 2,250
Gross.....	off highway 2,840; on highway 3,590
Weight distribution (lb):	
Empty.....	lunette 115; axle 1,225
Loaded:	
Off highway.....	lunette 200; axle 2,640
On highway.....	lunette 230; axle 3,360
Tires.....	Ply 8; Size 9.00 x 16; Pressure (psi) 40
Shipping dimensions, uncrated.....	(cu ft) 520; (sq ft) 75
Vehicle dimensions:	
Ground clearance.....	(in.) 14
Loading height, empty.....	(in.) 35
Lunette height w/body horizontal.....	(in.) 21 3/4
Body inside dimensions (in.):	
Length 96.....	Width 65 1/2; Height 48
Cargo space.....	(cu ft) 175
Parking brake, type.....	mechanical
Minimum towing vehicle to be used.....	truck, 3/4-ton, 4 x 4

ADDITIONAL DATA

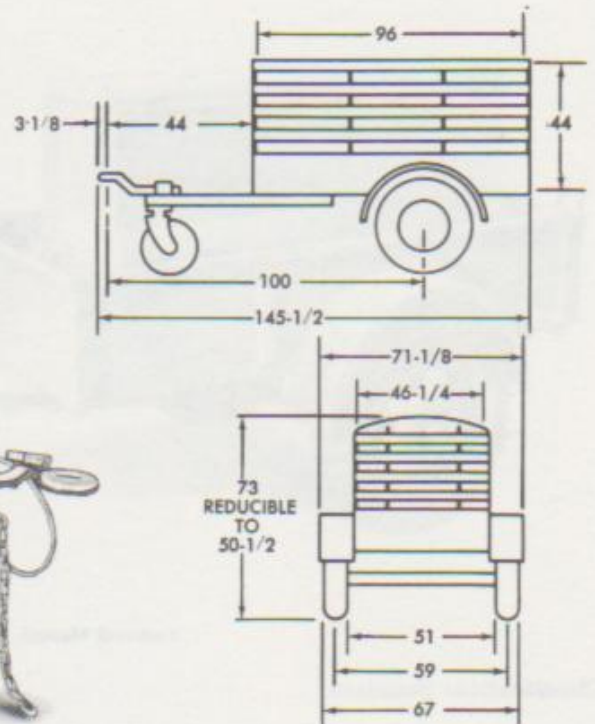
TRAILER, CARGO, 1-TON, 2-WHEEL

(American Bantam, T6; Ben Hur 41-33, 41-120; etc. See Additional Data)



NOTE: ALL DIMENSIONS SHOWN ARE IN INCHES

RA PD 172619



Technical Manual: 9-883; Supply Catalog: SNI, G-518.

Vehicle illustrated: Ben Hur.
Classification: Standard.

Purpose: To transport general cargo.

GENERAL DATA

Weight (lb).....	Net 1,300
Payload.....	off highway 2,000; on highway 3,000
Gross.....	off highway 3,300; on highway 4,300
Weight distribution (lb):	
Empty.....	lunette 150; axle 1,150
Loaded:	
Off highway.....	lunette 290; axle 3,040
On highway.....	lunette 315; axle 3,985
Tires.....	Ply 8; Size 7.50 x 20; Pressure (psi) 55
Shipping dimensions, uncrated.....	(cu ft) 437; (sq ft) 72
Vehicle dimensions:	
Ground clearance.....	(in.) 15
Loading height.....	(in.) 54
Cargo space.....	(cu ft) 113
Brakes.....	hand parking only
Towing vehicles to be used.....	truck, 3/4-ton, 4 x 4; 3/4-ton, 4 x 2

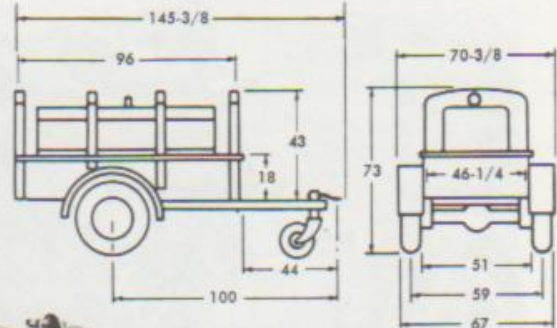
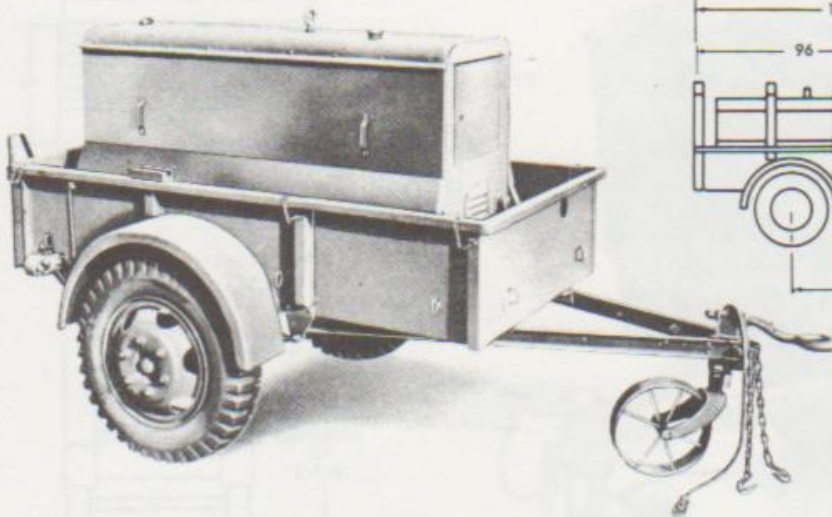
ADDITIONAL DATA

Similar vehicles manufactured by Century Boat works, T6; Checker, CC5, CC5A; Dorsey, T6; Gerstenslager, A; Henney, H1; Hercules Body, T6; Highland Body and Traller, T6; Hobbs, 0901D; Hyde, L1; Millinburg Body, T6; Nabors, 3GC; Nash Kelvinator, A; Omaha Std Body, TW2; Pike, T6; Queen City, T6; Redman, T6; Steel Products, AC; Strick, US; Transportation Equip, T6; Truck Eng Corp, T6; Willys Overland, TW6; Winter-Weiss, T6; Baker; Covered Wagon; Keystone; Streich, M1.

Weight data for wood body; steel body 1,490 lb net, 3,490 lb gross off highway, 4,300 lb gross on highway.

Height of lunette (in.).....High position 31; Low position 26

**TRAILER, TIRE REPAIR, 1-TON, 2-WHEEL, LOAD A, M25
(TRAILER, 1-ton, 2-wheel, cargo, w/equipment installed by Kreiger)**



NOTE: ALL DIMENSIONS SHOWN
ARE IN INCHES

RA PD 137766

Technical Manual: 9-883; Supply Catalog No: SNL G-234.

Classification: Standard.

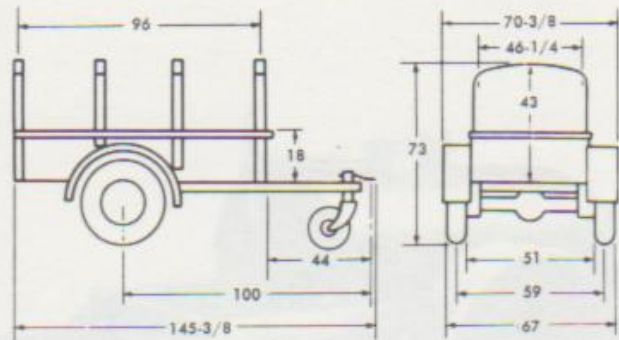
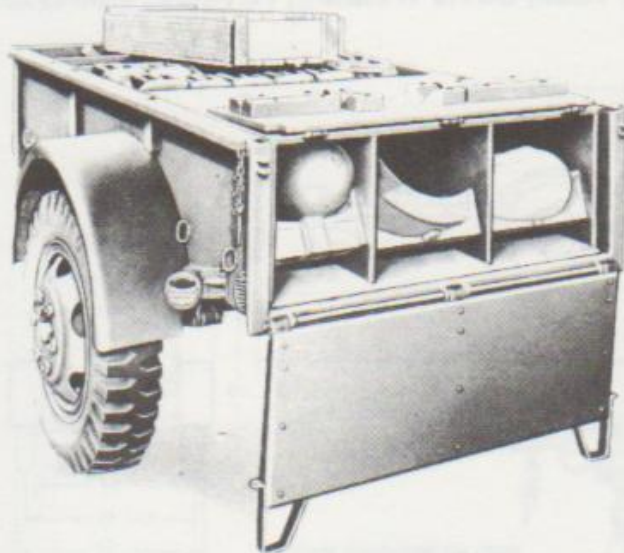
Purpose: To transport 25-kw generator to supply power for mobile tire-repair unit.

GENERAL DATA

Weight (lb).....Net 1,300; Payload 2,500; Gross 3,800
 Weight distribution (lb):
 Empty.....lunette 150; axle 1,150
 Loaded.....lunette 280; axle 3,520
 Tires.....Ply 8; Size 7.50 x 20; Pressure (psi) 55
 Shipping dimensions, uncrated.....(cu ft) 432; (sq ft) 71
 Vehicle dimensions:
 Ground clearance.....(in.) 15
 Loading height.....(in.) 31 3/4
 Brakes.....hand parking only
 Towing vehicle to be used.....truck, 3 1/2-ton, tire repair, load A, M32

ADDITIONAL DATA

**TRAILER, TIRE REPAIR, 1-TON, 2-WHEEL, LOAD B, M25
(TRAILER, cargo, 1-ton, 2-wheel, w/equipment installed by Kreiger)**



NOTE: ALL DIMENSIONS SHOWN ARE IN INCHES

RA PD 137767

Technical Manual: 9-883; Supply Catalog: SNL G-234.

Classification: Standard.

Purpose: To transport tire buffers, extra large matrices, head plate, and bags for mobile tire-repair unit, and water and gasoline in 5-gallon cans for servicing power unit in trailer carrying load A.

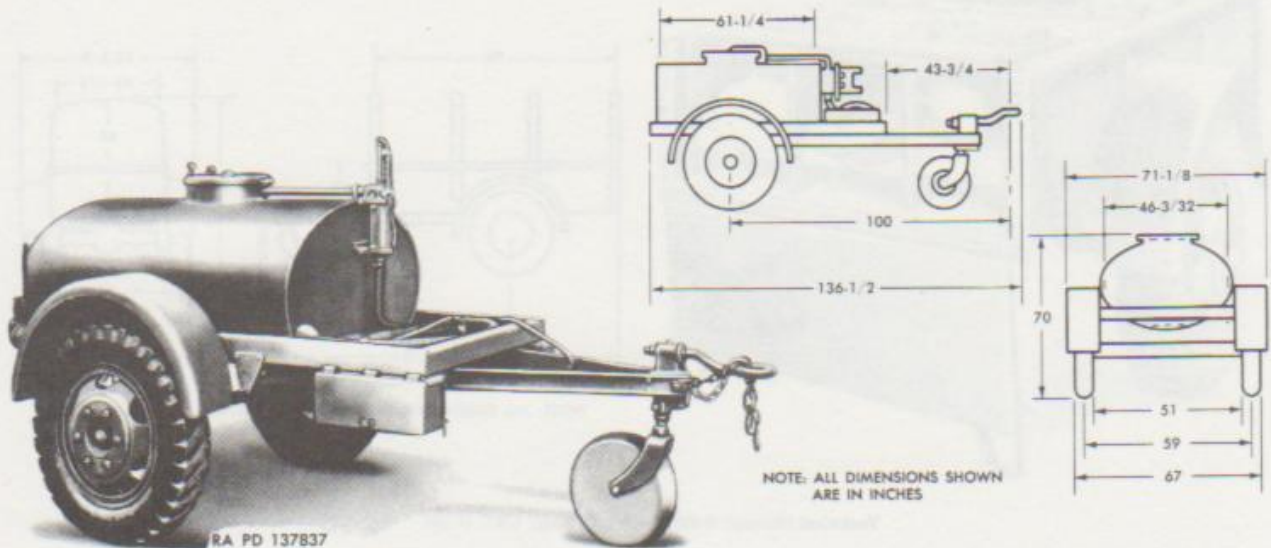
GENERAL DATA

Weight (lb)..... Net 1,300; Payload 1,050; Gross 2,350
 Weight distribution (lb):
 Empty..... lunette 150; axle 1,150
 Loaded..... lunette 220; axle 2,130
 Tires..... Ply 8; Size 7.50 x 20; Pressure (psi) 55
 Shipping dimensions, uncrated..... (cu ft) 432; (sq ft) 71
 Vehicle dimensions:
 Ground clearance..... (in.) 15
 Loading height..... (in.) 31 1/4
 Brakes..... hand parking only
 Towing vehicle to be used..... truck, 2 1/2 ton, 6 x 6, tire repair, load B, M32

ADDITIONAL DATA

TRAILER, WATER TANK, 1-TON, 2-WHEEL, 250-GAL

(Ben Hur, Model KWT; Checker, Models CC1, CC1A, CC1B, CC1C; Springfield Wagon and Trailer, Model SWT (T1-250); City Tank; Davis Welding; Fayette, Model 25; Lavine, Model KWT)



Technical Manual: 9-883; Supply Catalog: SNL G-527.

Vehicle illustrated: Ben Hur.
Classification: Standard.

GENERAL DATA

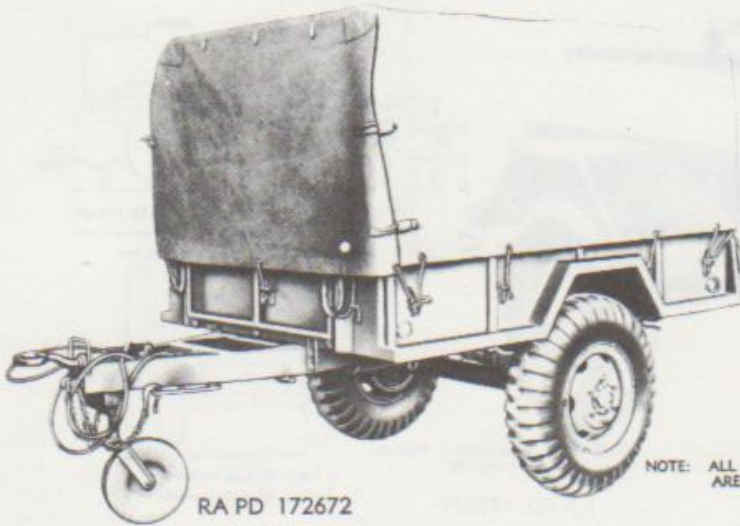
Weight (lb):
Steel tank.....Net 1,500; Payload 2,000; Gross 3,500
Aluminum tank.....Net 1,350; Payload 2,000; Gross 3,350
Weight distribution (w/steel tank) (lb):
Empty.....lunette, 225; axle 1,275
Loaded.....lunette 270; axle 3,230
Tires.....Ply 8; Size 7.50 x 20; Pressure (psi) 55
Shipping dimensions, uncrated.....(cu ft); 347 (sq ft) 68
Ground clearance.....(in.) 15
Brakes.....parking; mechanical
Towing vehicles to be used.....truck, ½-ton, 4 x 4; ½-ton, 4 x 2

Purpose: To transport, store, and dispense drinking water.

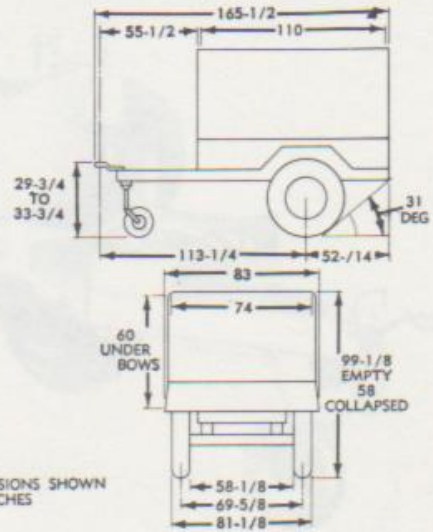
ADDITIONAL DATA

Height of lunette (in.).....High position 31; Low position 26

TRAILER, CARGO, 1½-TON, 2-WHEEL, M104



RA PD 172672



NOTE: ALL DIMENSIONS SHOWN ARE IN INCHES

Technical Manual: 9-875B; Supply Catalog: SNL G-754.

Classification: Standard.

Purpose: To transport general cargo.

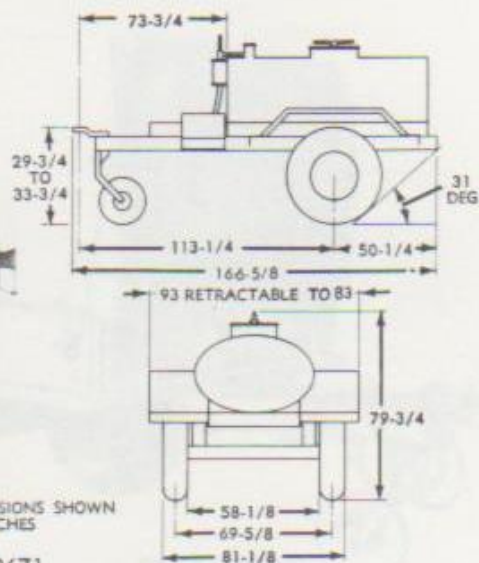
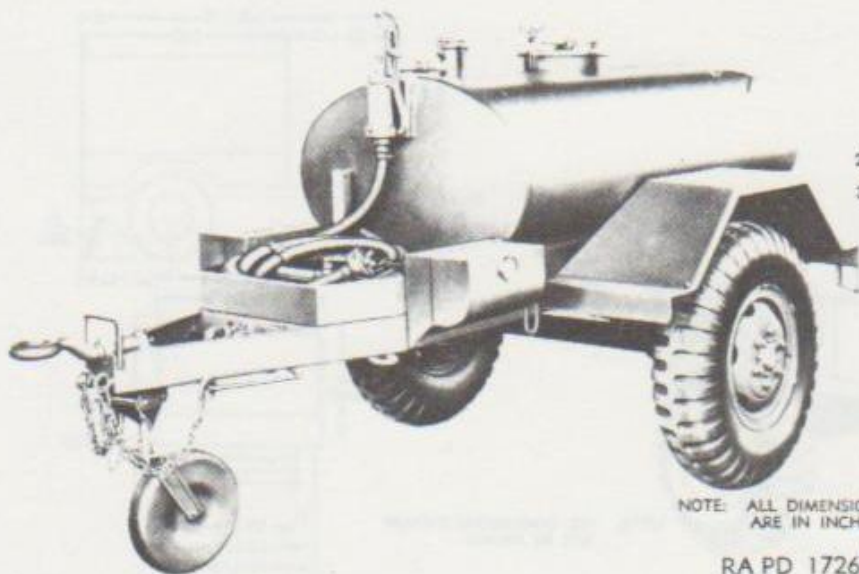
GENERAL DATA

Weight (lb): Net.....	2,400
Payload.....	off highway 3,000; on highway 5,500
Gross.....	off highway 5,400; on highway 7,900
Weight distribution (lb):	
Empty.....	lunette 200; axle 2,200
Loaded:	
Off highway.....	lunette 370; axle 5,030
On highway.....	lunette 510; axle 7,390
Tires: Ply 12; Size 11.00 x 20; Pressure (psi):	
On highway.....	50
Cross country.....	35
Shipping dimensions, uncrated.....	(cu ft) 462; (sq ft) 96
Vehicle dimensions:	
Ground clearance.....	(in.) 19½
Loading height, empty.....	(in.) 40
Body inside dimensions (in.):	
Length 110.....	Width 74; Height 60
Cargo space.....	(cu ft) 283
Brakes:	
Manufacturer; Timken-Detroit.....	Type; air-hydraulic
Parking brake, type.....	mechanical
Minimum towing vehicle to be used.....	truck, 2½-ton, 6 x 6

ADDITIONAL DATA

This trailer can be used only with a towing vehicle having an air supply such as the M34.

TRAILER, WATER TANK, 1½-TON, 2-WHEEL, M106



NOTE: ALL DIMENSIONS SHOWN ARE IN INCHES

RA PD 172671

Technical Manual: 9-875B; Supply Catalog: SNL G-754.

Classification: Standard.

Purpose: To transport, store, and dispense drinking water.

GENERAL DATA

Weight (lb).....	Net 2,280; Payload 3,335; Gross 5,615
Weight distribution (lb):	
Empty.....	lunette 280; axle 2,000
Loaded.....	lunette 280; axle 5,335
Tires: Ply 12; Size 11.00 x 20; Pressure (psi):	
On highway.....	50
Cross country.....	35
Shipping dimensions, uncrated..... (cu ft) 700; (sq ft) 105	
Vehicle dimensions:	
Ground clearance.....	(in.) 19½
Capacity.....	(gal) 400
Fording depth.....	complete submergence
Brakes:	
Manufacturer: Timken-Detroit.....	Type: air-hydraulic
Parking brakes, type.....	mechanical
Minimum towing vehicle to be used..... truck, 2½-ton, 6 x 6	

ADDITIONAL DATA

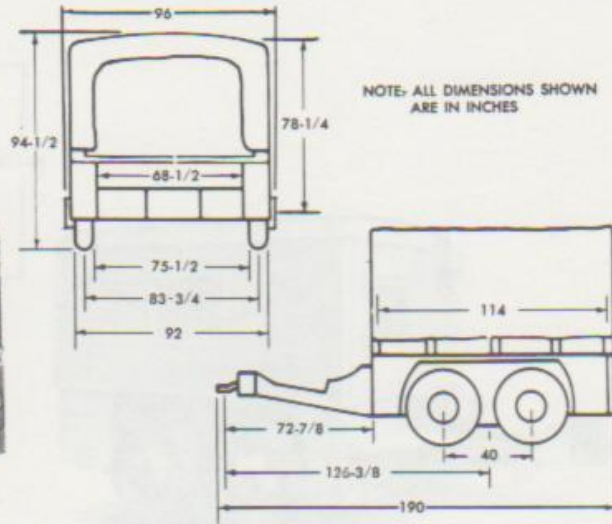
Can be used only with a towing vehicle having an air supply, such as the M34.

Equipped with hand pump and 25-ft suction hose for filling and faucets for dispensing. Also filler hatch and manhole with hinged cover.

TRAILER, DIRECTOR, 2-TON, 4-WHEEL, M13 (Brill)



RA PD 137832



Technical Manual: 9-881; Supply Catalog: SNL G-221.

Classification: Limited Standard.

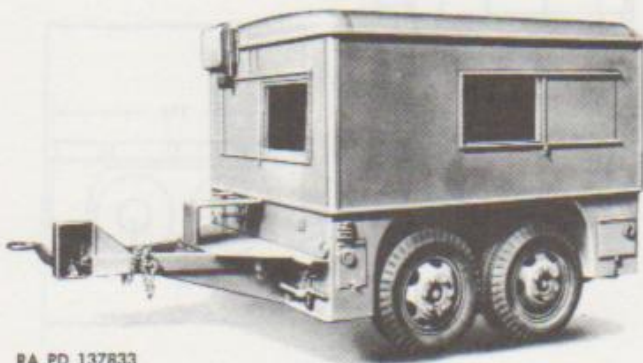
Purpose: To carry directors, M9 and M10.

GENERAL DATA

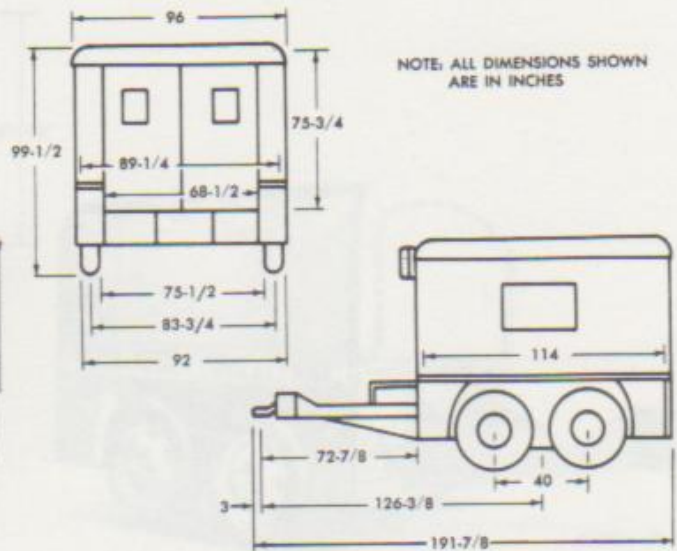
Weight (lb).....	Net 4,400; Gross 7,850
Weight distribution (lb):	
Empty.....	front axle 2,200; rear axle 2,200
Loaded.....	front axle 3,925; rear axle 3,925
Tires.....	Ply 12; Size 7.50 x 20; Pressure (psi) 65
Shipping dimensions, uncrated.....	(cu ft) 1,029; (sq ft) 126
Vehicle dimensions:	
Ground clearance.....	(in.) 4 1/4
Loading height.....	(in.) 17 3/4
Brakes:	
Manufacturer: Warner.....	Type: electric
Parking brake.....	manually operates the service brakes
Minimum to towing vehicle to be used.....	truck, 3/4-ton, 4 x 4

ADDITIONAL DATA

TRAILER, DIRECTOR, 2-TON, 4-WHEEL, M14 AND M22 (Brill, Fruehauf)



RA PD 137833



Technical Manual: 9-881; Supply Catalog: SNL G-221.

Vehicle illustrated: Fruehauf.
Classification: M14 Limited Standard; M22 Standard.

Purpose: To carry directors, M9 and M10.

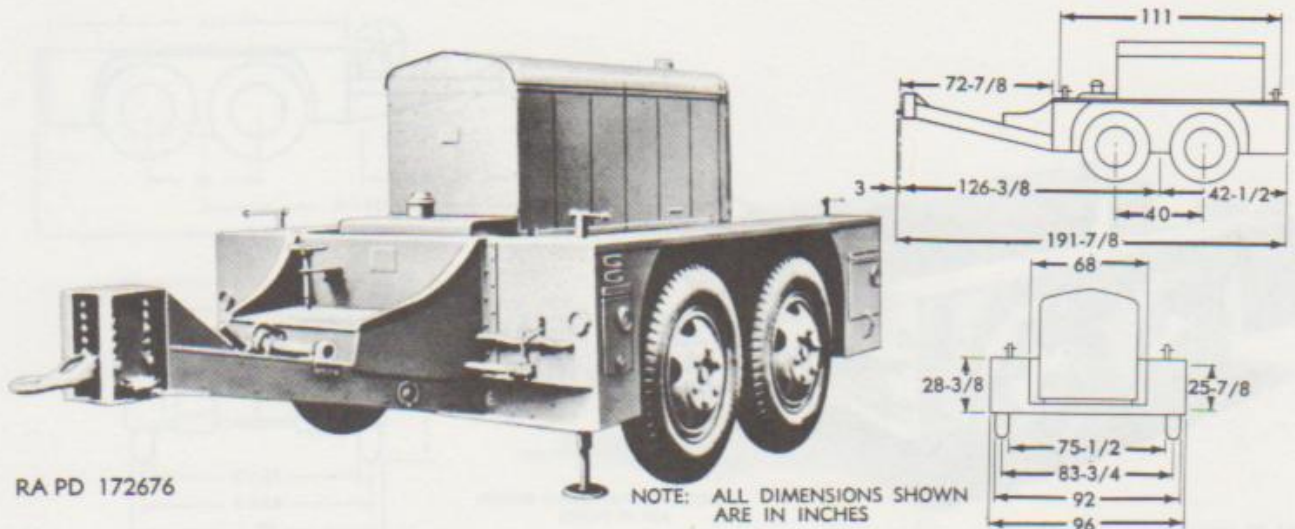
GENERAL DATA

Weight w/director (lb).....Gross 8,900
 Axle load (lb).....front, 4,450; rear 4,450
 Tires.....Ply 12; Size 7.50 x 20; Pressure (psi) 55
 Shipping dimensions, uncrated.....(cu ft) 1,060; (sq ft) 128
 Ground clearance.....(in.) 9 3/4
Brakes:
 Manufacturer; Warner.....Type; electric
 Parking brake, type.....handwheel operated
 Minimum towing vehicle to be used.....truck, 1 1/2-ton, 4 x 2

ADDITIONAL DATA

Height of lunette adjustable from 24 1/4 in. to 32 1/4 in.

TRAILER, GENERATOR, 2-TON, 4-WHEEL, M7 (Brill, Fruehauf, Kreiger)



Technical Manual: 9-881; Supply Catalog: SNL G-221.

Vehicle illustrated: Brill, with generator unit.
Classification: Standard.

Purpose: To transport generating units M7, M7A1, M15, M15A1 and M18.

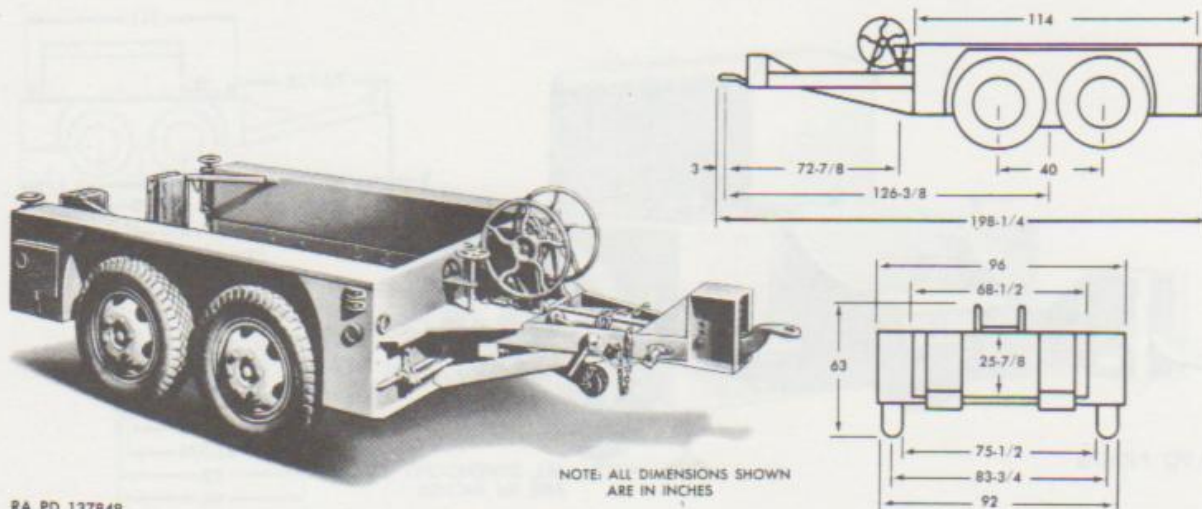
GENERAL DATA

Weight (lb).....Net 4,150; Payload 4,298; Gross 8,448
Axle load (lb):
Empty.....front 2,075; rear 2,075
Loaded.....front 4,224; rear 4,224
Tires.....Ply 12; Size 7.50 x 20; Pressure (psi) 55
Shipping dimensions, uncrated.....(cu ft) 470; (sq ft) 128
Vehicle dimensions:
Ground clearance.....(in.) 9 1/4
Loading height.....(in.) 17 3/4
Body inside dimensions (in.):
Length 111.....Width 68; Height 25 7/8
Brakes:
Manufacturer; Warner.....Type; electric
Parking brake, type.....handwheel operated
Towing vehicle to be used.....truck, 2 1/2-ton, 6 x 6

ADDITIONAL DATA

TRAILER, GENERATOR, 2-TON, 4-WHEEL, M18

(Fruehauf, Kreiger)



RA PD 137848

Technical Manual: 9-881; Supply Catalog: SNI, G-221.

Vehicle illustrated: Fruehauf.
Classification: Standard.

Purpose: To transport generating units.

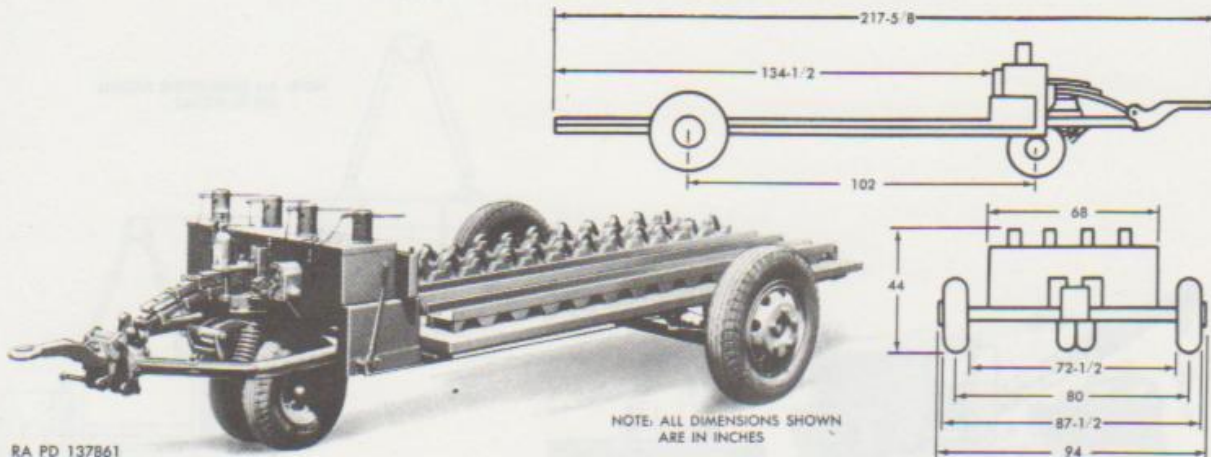
GENERAL DATA

Weight (lb).....Net 4,000; Payload 4,194; Gross 8,194
 Axle load (lb):
 Empty.....front 2,000; rear 2,000
 Loaded.....front 4,097; rear 4,097
 Tires.....Ply 12; Size 7.50 x 20; Pressure (psi) 55
 Shipping dimensions, uncrated.....(cu ft) 694; (sq ft) 132
 Vehicle dimensions:
 Ground clearance.....(in.) 9 3/4
 Loading height.....(in.) 17 3/4
 Brakes:
 Manufacturer: Warner.....Type: electric
 Parking brake, type.....handwheel operated
 Towing vehicle to be used.....truck, 2 1/4-ton, 6 x 6

ADDITIONAL DATA

Lunette height (in.).....Adjustable from 24 1/4 to 32 1/4

TRAILER, BOMB, 2½-TON, 3-WHEEL, M5 (American Seating, Oneida, Saginaw, Electric Wheel)



RA PD 137861

NOTE: ALL DIMENSIONS SHOWN ARE IN INCHES

Technical Manual: 9-760; Supply Catalog: SNL G-74.

Classification: Standard.

Purpose: Used by AF to transport bombs.

GENERAL DATA

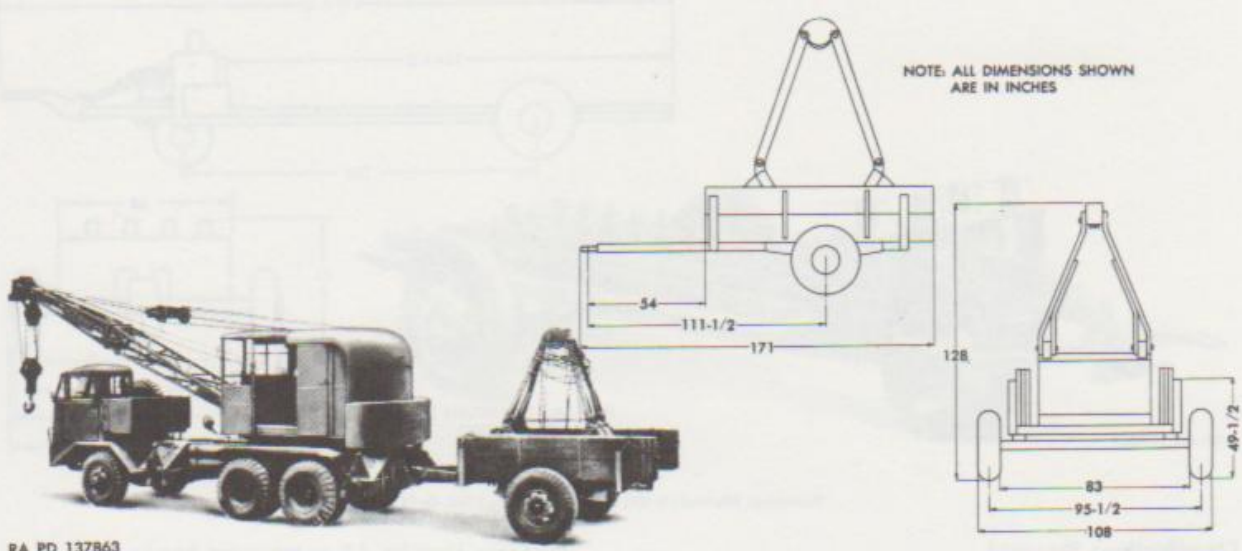
Weight (lb)	Net 3,200; Payload 5,000; Gross 8,200
Axle load (lb):	
Empty.....	front 1,066; rear 2,134
Loaded.....	front 2,400; rear 5,800
Vehicle dimensions:	
Ground clearance (rear axle).....	(in.) 9¼
Loading height.....	(in.) 21¼
Tires:	
Ply.....	front 6; rear 8; Size front 6.50 x 10; rear 7.50 x 18
Pressure (psi).....	front 45; rear 55
Tread, center-to-center, front.....	(in.) 10¼
Shipping dimensions, uncrated.....	(cu ft) 519; (sq ft) 142
Pintle height.....	(in.) 20¼
Brakes: Manufacturer: Warner.....	Type: electric
Minimum towing vehicle to be used.....	truck, 1½-ton, 4 x 2

ADDITIONAL DATA

Front of hitch yoke has reversible lunette to attach to rear pintle of another trailer, or to a prime mover, so that it can be towed in trains at speeds up to 45 mph on highways.

TRAILER, CLAMSHELL, 3-TON, 2-WHEEL, M16 (Gramm)

Used w/CRANE, Truck Mounted, M2



RA PD 137863

Technical Manual: 9-771; Supply Catalog: SNI, G-172.

Classification: Standard.

Purpose: Equipment for Truck-Mounted Crane, M2.

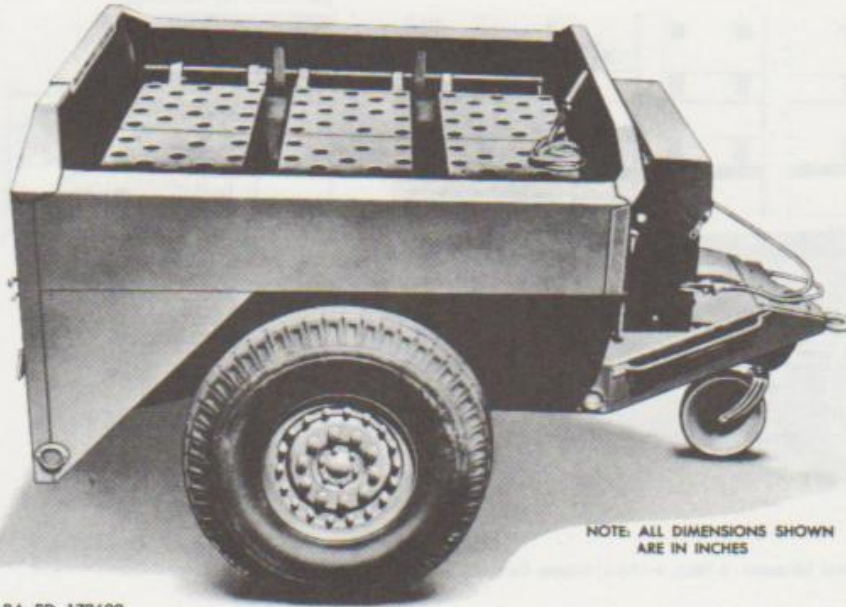
GENERAL DATA

Weight (lb).....Net 2,425; Payload 5,815; Gross 8,240
Weight distribution (lb).....Loaded lunette, 725; axle 7,515
Tires.....Ply 14; Size 12.00 x 20; Pressure (psi) 75
Shipping dimensions, uncrated:
 Loaded w/clamshell and 10-ft mats.....(cu ft) 1,370; (sq ft) 128
Vehicle dimensions:
 Ground clearance.....(in.) 15
 Loading height, empty.....(in.) 49 1/2
Brakes.....none
Minimum towing vehicle to be used.....Crane, Truck Mounted, M2

ADDITIONAL DATA

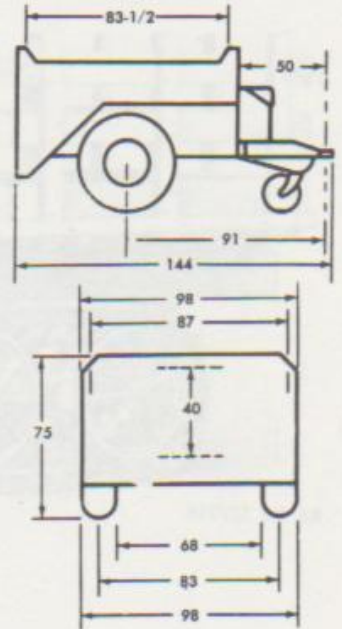
Lunette height.....(in.) 33 1/4

TRAILER, AMMUNITION, 4-TON, 2-WHEEL, M21 (Oneida, Trailmobile)



RA_PD 172629

NOTE: ALL DIMENSIONS SHOWN
ARE IN INCHES



Technical Manuals: 9-792, 9-1827A; Supply Catalog: 8NL G-213.

Classification: Limited Standard.

Purpose: To transport 72 rounds of 155-mm howitzer ammunition including powder charges, fuzes, and primers.

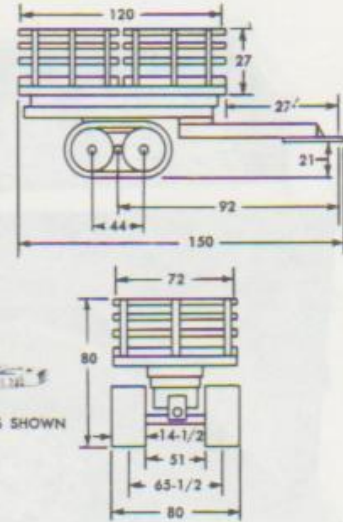
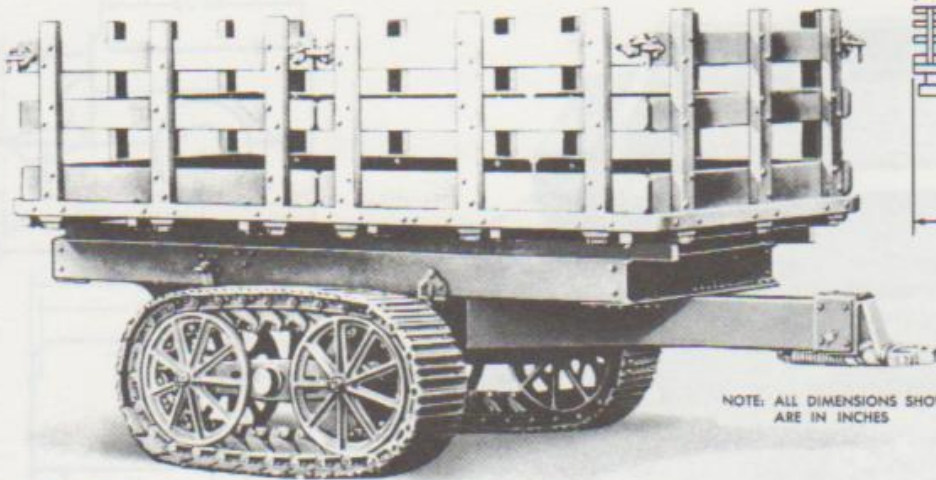
GENERAL DATA

Weight (lb).....Net 5,300; Payload 8,000; Gross 13,300
Weight distribution (lb):
 Empty.....lunette 150; axle 5,150
 Loaded.....lunette 275; axle 13,025
Tires.....Ply 18; Size 14.00 x 20; Pressure (psi) 75
Shipping dimensions, uncrated.....(cu ft) 61 $\frac{1}{2}$; (sq ft) 98
Vehicle dimensions:
 Ground clearance.....(in.) 12 $\frac{1}{4}$
 Loading height.....(in.) 35
 Height of lunette, trailer level.....(in.) 27
Brakes:
 Manufacturer; Timken-Detroit.....Type; air
 Parking brake, type.....mechanical
Minimum towing vehicle to be used.....Truck, 4-ton, 6 x 6

ADDITIONAL DATA

TRAILER, CARGO, 6-TON, TRACKED

(Athey, Model BT898-1)



NOTE: ALL DIMENSIONS SHOWN ARE IN INCHES

RA PD 137716

Technical Manuals: 9-790A, 9-1790A; Supply Catalog: SNL G-123.

Classification: Nonclassified.

Purpose: To transport general cargo over soft or rough terrain.

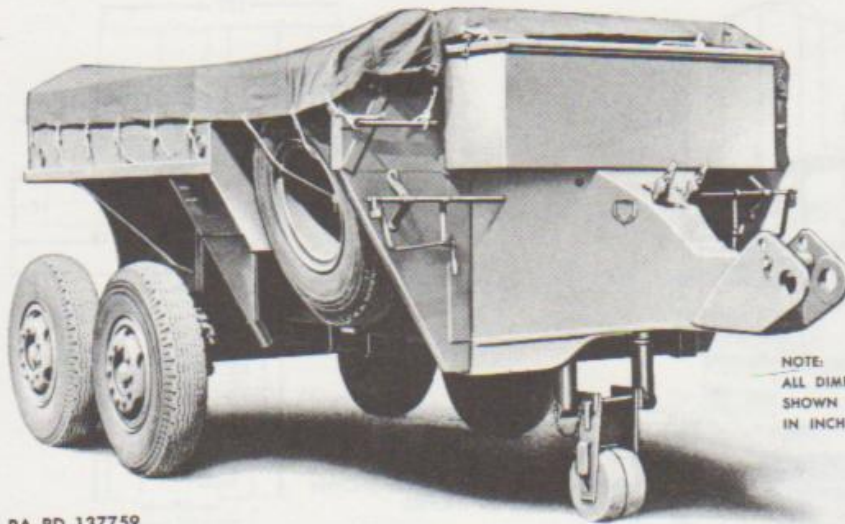
GENERAL DATA

Body type.....	stake
Weight (lb).....	Net 6,300; Payload 12,000; Gross 18,300
.Weight distribution (lb):	
Empty.....	lunette 440; axle 5,860
Loaded.....	lunette 1,220; axle 17,080
Ground pressure.....	(psf) 13.3
Shipping dimensions, uncrated.....	(cu ft) 505; (sq ft) 83
Vehicle dimensions:	
Body inside dimensions (in.):	
Length 120.....	Width 72; Height, side rack 27
Cargo space.....	(cu ft) 135
Ground clearance.....	(in.) 15
Loading height.....	(in.) 40
Pintle height.....	(in.) 21
Turning radius.....	(ft) 11
Towing vehicle to be used.....	tractor

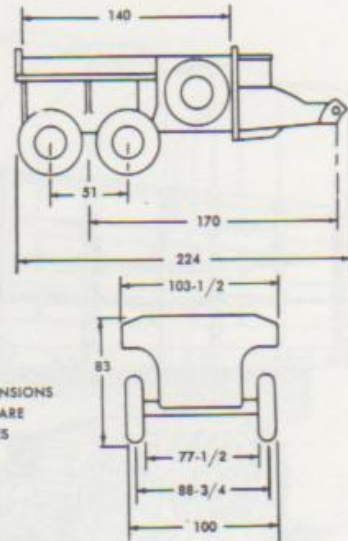
ADDITIONAL DATA

After serial No. 3611, loading height is 52 inches. Body inside height, under bows 72 inches. Cargo space 371 cubic feet.
 After serial No. 3440, over-all length is 172 inches. Wheel base 110 inches. Serial Nos. 3216 to 3611, inside body height 32 inches and cargo space 160 cubic feet.
 Spring-cushioned or rigid lunette used.
 Rear coupler or pintle hook used.

TRAILER, AMMUNITION, 8-TON, 4-WHEEL, M23 (Utility)



RA PD 137759



NOTE:
ALL DIMENSIONS
SHOWN ARE
IN INCHES

Technical Manuals: 9-793, 9-1827A; Supply Catalog: SNL G-216.

Classification: Standard.

Purpose: To transport ammunition; 96 rounds 155-mm or 60 rounds 8-in or 32 rounds 240-mm.

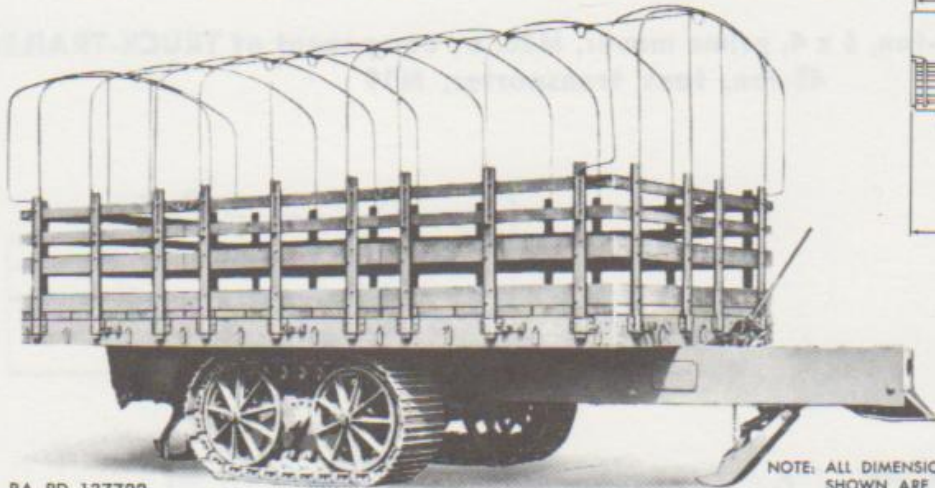
GENERAL DATA

Weight (lb).....Net 10,000; Payload 16,000; Gross 26,000
Weight distribution (lb):
 Empty.....connecting eye 2,400; axle (each) 3,800
 Loaded.....connecting eye 6,000; axle (each) 10,000
Tires.....Ply 12; Size 11.00 x 20; Pressure (psi) 70
Shipping dimensions, uncrated.....(cu ft) 1,599; (sq ft) 186
Vehicle dimensions (in.):
 Ground clearance.....13 1/4
 Loading height.....34
 Height to connecting eye, loaded.....40 1/4
 Pintle height.....18
Brakes: Manufacturer; Westinghouse.....Type; air
Towing vehicles to be used: Attached directly to 7 1/2-ton prime mover or towed by truck, 4- to 5-ton, 4 x 4, or greater capacity, with front of trailer supported on Heavy Carriage Limber, M5.

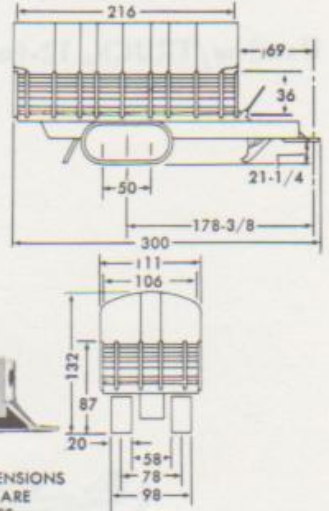
ADDITIONAL DATA

TRAILER, CARGO, 20-TON, TRACKED

(Athey, Model ET1076-1)



RA PD 137722



NOTE: ALL DIMENSIONS SHOWN ARE IN INCHES

Technical Manuals: 9-790B, 9-1790A; Supply Catalog: SNL G-123.

Classification: Nonclassified.

Purpose: To transport general cargo over soft or rough terrain.

GENERAL DATA

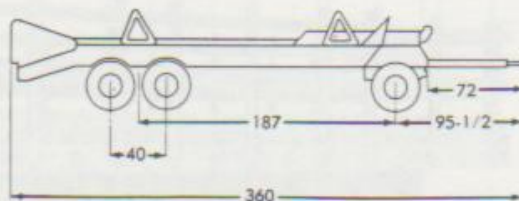
Body type.....	stake
Weight (lb).....	Net 14,700; Payload 40,000; Gross 54,700
Weight distribution (lb):	
Empty.....	Lunette 340; axle 14,360
Loaded.....	Lunette 340; axle 54,360
Ground pressure.....	(psi) 27.1
Shipping dimensions, uncrated.....	(cu ft) 1,680; (sq ft) 231
Vehicle dimensions:	
Body inside dimensions (in.):	
Length.....	216
Width.....	106
Height.....	under bows 72; side rack 36
Cargo space.....	(cu ft) 960
Ground clearance.....	(in.) 17
Loading height.....	(in.) 53
Pintle height.....	(in.) 21 1/4
Turning radius.....	(ft) 21
Towing vehicle to be used.....	tractor

ADDITIONAL DATA

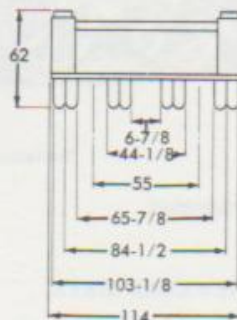
TRAILER, TRANSPORTER, 45-TON, 12-WHEEL, M9

(Pointer-Willamette, Model D45LF1; Checker Cab, Model D45LF1; Rogers Brothers, Model D45LF1; Winter-Weiss, Model D45LF1; Fruehauf Model CPT45SP)

Used w/TRUCK, 12-ton, 6 x 4, prime mover, M20, as component of TRUCK-TRAILER, 45-ton, tank transporter, M19



NOTE: ALL DIMENSIONS SHOWN ARE IN INCHES



RA PD 172642

Technical Manuals: 9-768, 9-1768C; Supply Catalog: SNL G-159.

Vehicle illustrated: Fruehauf.

Classification: Substitute Standard.

Purpose: To recover and transport damaged tanks and matériel weighing up to 90,000 pounds.

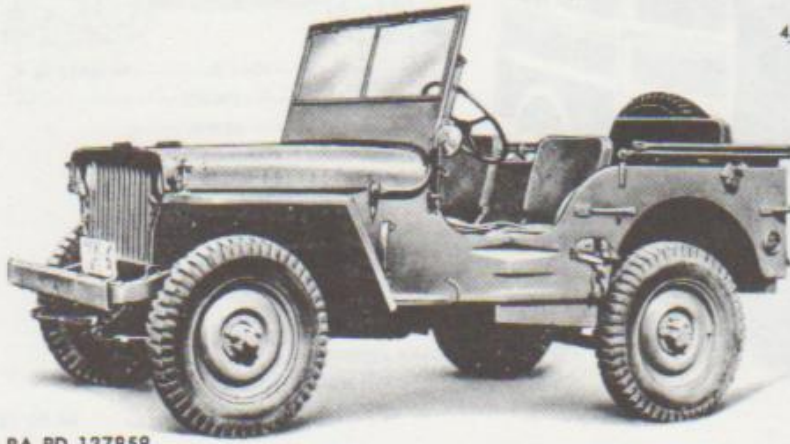
GENERAL DATA

Weight (lb).....Net 20,150; Payload 90,000; Gross 110,150
 Weight distribution (lb):
 Empty.....lunette 165; axle, front 6,550; rear (each) 6,718
 Loaded.....lunette 165; axle, front 36,550; rear (each) 36,718
 Tires.....Ply 14; Size 8.25 x 15; Pressure (psi) 100
 Shipping dimensions, uncrated.....(cu ft) 1,475; (sq ft) 285
 Vehicle dimensions:
 Ground clearance.....(in.) 12
 Loading height.....(in.) 41
 Brakes:
 Manufacturer; Fruehauf.....Type; air
 Parking brake, type.....mechanical
 Towing vehicle to be used.....truck, 12-ton, 6 x 4, prime mover, M20

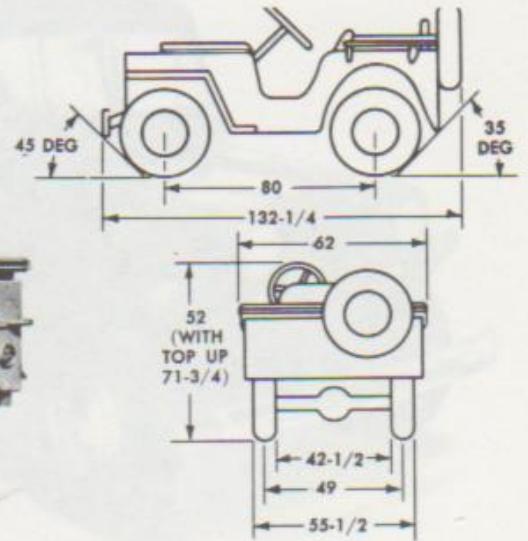
ADDITIONAL DATA

TRUCK, COMMAND RECONNAISSANCE, 1/4-TON, 4 x 4 (Ford, Model GPW; Willys, Model MB)

NOTE: ALL DIMENSIONS SHOWN
ARE IN INCHES



RA PD 137858



Technical Manuals: 9-803, 9-1803A, 9-1803B, 9-1825B, 9-1826A, 9-1827C, 9-1828A; Supply Catalog: SNL G-503.

Classification: Standard.

Purpose: To transport command and reconnaissance personnel and light cargo.

GENERAL DATA

Crew	2; Passengers (including) crew 5
Weight (lb)	Net 2,450
Payload.....	off highway 800; on highway 1,200
Gross.....	off highway 3,250; on highway 3,650
Live-axle gear ratio	4.88:1
Axle load (lb):	
Empty.....	front 1,240; rear 1,210
Loaded:	
Off highway.....	front 1,390; rear 1,860
On highway.....	front 1,465; rear 2,185
Tires	Ply 6; Size 6.00 x 16; Pressure (psi) 30
Tread, center-to-center, front.....	(in.) 49
Shipping dimensions, uncrated	(cu ft) 247; (sq ft) 57
Vehicle dimensions:	
Ground clearance.....	(in.) 8 3/4
Pintle height, loaded.....	(in.) 21
Electrical system	(volts) 6
No. of batteries.....	1
Type of ground.....	negative
Fuel octane rating	68
Capacities:	
Fuel.....	(gal) 15
Cooling system.....	(qt) 11
Crankcase, refill.....	(qt) 4
Transfer.....	(qt) 1 1/2
Transmission.....	(qt) 3 1/2
Axles (each).....	(qt) 1 1/2
Brakes:	
Manufacturer; Bendix.....	Type; hydraulic
Parking brake, type.....	transmission
Transmission:	
Forward speeds.....	4
Gear ratio.....	High 1:1; Low 2.665:1
Transfer:	
Speeds.....	2
Gear ratio.....	High 1:1; Low 1.97:1

PERFORMANCE

Computed grade ability in lowest gear, loaded	(percent) 58
Turning radius (ft)	right 18; left 18 1/2
Fording depth	(in.) 25
Fuel consumption, loaded	(mpg) 19
Cruising range, loaded	(mi) 285
Allowable speed, recommended	(mph) 65
Maximum recommended towed load:	
Off highway.....	gross-(lb) 1,000
On highway.....	gross-(lb) 2,000

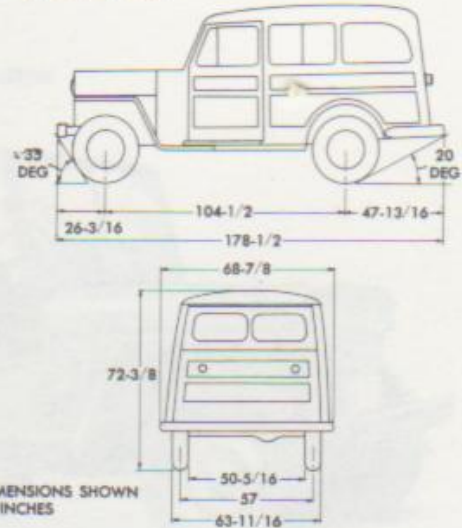
ENGINE

Manufacturer: Willys.....	Model 442
Type	L-head, 4-cycle; No. of cylinders (in line) 4
Displacement	(cu in.) 134.2
Bore	(in.) 3 1/4
Stroke	(in.) 4 7/8
Compression ratio	6.48:1
Governed speed	not governed
Brake horsepower (max w/std accessories)	54 at (rpm) 4,000
Torque (max)	105 lb-ft at (rpm) 2,000

ADDITIONAL DATA

Live axles, type	hypoid, full-floating
Transmission, type	synchromesh

TRUCK, STATION WAGON, 1/4-TON, 4 x 4 (Willys, Models 4 X 463 and 4 X 473)



NOTE: ALL DIMENSIONS SHOWN ARE IN INCHES

RA PD 137824

Technical Manuals: 9-804, 9-1804A, 9-1804B, 9-1825B, 9-1826A, 9-1827C, 9-1828A; Supply Catalog: SNL G-740.

Vehicle illustrated: Model 4 x 463.
Classification: Nonclassified.

Purpose: To transport personnel and light cargo.

GENERAL DATA

Crew	2; Passengers (including crew) 7
Weight (lb)	Net 3,250; Payload 1,000; Gross 4,250
Live-axle gear ratio	5.38:1
Axle load (lb):	
Empty	front 1,452; rear 1,798
Loaded	front 1,700; rear 2,550
Tires:	
Ply 4	Size 6.50 x 15; Pressure (psi) front 24; rear 28
Tread, center-to-center, front	(in.) 57
Shipping dimensions, uncrated	(cu ft) 515; (sq ft) 86
Vehicle dimensions (in.):	
Ground clearance	8 3/4
Loading height, empty	22 3/4
Electrical system	(volts) 6
No. of batteries	1
Type of ground	negative
Fuel octane rating	68
Capacities:	
Fuel	(gal) 15
Cooling system (qt)	w/o heater 11; w/heater 12
Crankcase, refill	(qt) 4
Transmission	(qt) 1 1/2
Transfer	(qt) 2
Axles (each)	(qt) 1 1/4
Brakes:	
Manufacturer; Bendix	Type; hydraulic
Parking brake, type	rear-wheel
Transmission:	
Forward speeds	3
Gear ratio	High 1:1; Low 2.798:1
Transfer:	
Speeds	2
Gear ratio	High 1:1; Low 2.43:1

PERFORMANCE

Computed grade ability to lowest gear, loaded	(percent) 57
Turning radius	(ft) 23
Fording depth	(in.) 18
Fuel consumption, loaded	(mpg) 20
Cruising range, loaded	(mi) 300
Allowable speed, recommended	(mph) 60

ENGINE

Manufacturer: Willys	Model 4 x 463
Type	L-head, 4-cycle; No. of cylinders (in line) 4
Displacement	(cu in.) 134.2
Bore	(in.) 3 1/4
Stroke	(in.) 4 3/4
Compression ratio	6.48:1
Governed speed	not governed
Brake horsepower (max w/std accessories)	54 at (rpm) 4,000
Torque (max)	105 lb-ft at (rpm) 2,000

ADDITIONAL DATA

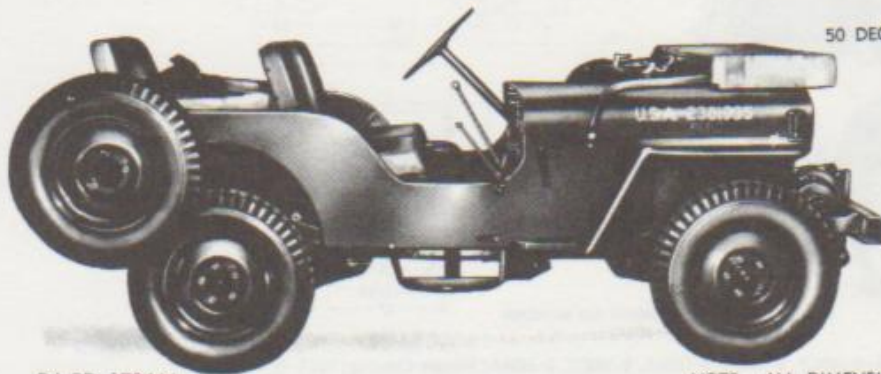
Live axles, type	hypoid, full-floating
Transmission, type	synchromesh
Above data given for Model 4 x 463.	
Changes in data for model 4 x 473 are as follows:	

ENGINE

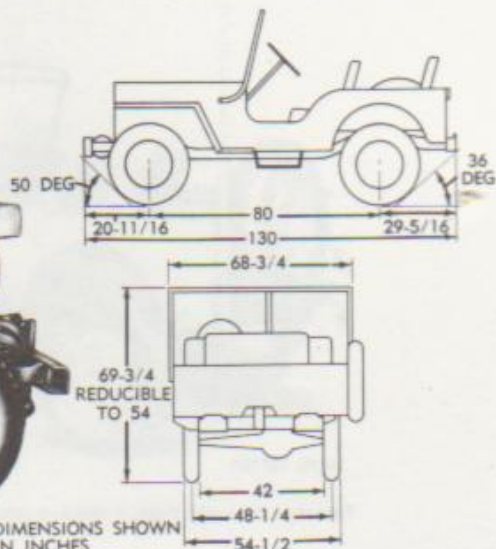
Manufacturer: Willys	Model 4 x 473
Type	F-head, 4-cycle; No. of cylinders (in line) 4
Displacement	(in.) 134.2
Compression ratio	7.4:1

TRUCK, UTILITY, 1/4-TON, 4 x 4, W/WINCH

(Willys, Model CJ-3A)



RA PD 172644



NOTE: ALL DIMENSIONS SHOWN ARE IN INCHES

Classification: Nonclassified.

Purpose: To transport command and reconnaissance personnel and light cargo.

GENERAL DATA

Crew	1; Passengers (including crew) 4
Weight (lb):	
Net.....	2,283
Payload.....	off highway 800; on highway 1,200
Gross.....	off highway 3,083; on highway 3,483
Live-axle gear ratio	5.38 : 1
Axle load (lb):	
Empty.....	front 1,305; rear 978
Loaded:	
Off highway.....	front 1,449; rear 1,634
On highway.....	front 1,521; rear 1,962
Tires:	
Ply 4.....	Size 6.00 x 16; Pressure (psi) front 26; rear 28
Tread, center-to-center, front.....	(in.) 48 1/4
Shipping dimensions, uncrated	(cu ft) 276; (sq ft) 61 1/2
Vehicle dimensions:	
Ground clearance.....	(in.) 8
Pintle height, empty.....	(in.) 20 3/4
Electrical system	(volts) 6
No. of batteries.....	1
Type of ground.....	negative
Fuel octane rating	88
Capacities:	
Fuel.....	(gal) 10 1/2
Cooling system.....	(qt) w/o heater 11; w/heater 12
Crankcase, refill.....	(qt) 4
Transmission.....	(qt) 13 1/2
Transfer.....	(qt) 13 1/4
Axles (each).....	(qt) 13 1/4
Winch.....	Oil capacity (qt) 3/2; Load capacity (lb) 6,000
Brakes:	
Manufacturer: Bendix.....	Type; hydraulic
Parking brake, type.....	transfer
Transmission:	
Forward speeds.....	3
Gear ratio.....	High 1:1; Low 2.80:1
Transfer:	
Speeds.....	2
Gear ratio.....	High 1:1; Low 2.43:1

PERFORMANCE

Computed grade ability in lowest gear, loaded	(percent) 76
Turning radius	(ft) 18
Fuel consumption, loaded	(mpg) 17
Cruising range, loaded	(mi) 178
Allowable speed, governed	(mph) 60
Maximum recommended towed load:	
Off highway, gross.....	(lb) 1,000
On highway, gross.....	(lb) 2,000

ENGINE

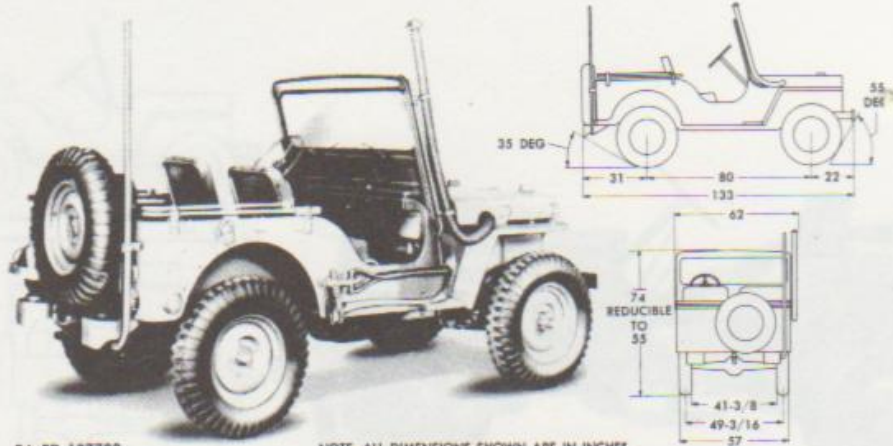
Manufacturer: Willys.....	CJ-3A
Type	L-head, 4 cycle; No. of cylinders (in line) 4
Displacement	(cu in.) 134.2
Bore	(in.) 3 1/4
Stroke	(in.) 4 3/4
Compression ratio	6.48:1
Governed speed	(rpm) 3,700
Brake horsepower (max w/std accessories)	51 at (rpm) 4,000
Torque (max)	105 lb-ft at (rpm) 2,000

ADDITIONAL DATA

Live axles, type	hypoid, full-floating
Transmission, type	synchronesh

TRUCK, UTILITY, 1/4-TON, 4 x 4, M38

(Willys)



RA PD 137783

NOTE: ALL DIMENSIONS SHOWN ARE IN INCHES

Technical Manuals: 9-804, 9-1804A, 9-1804B, 9-1825B, 9-1826A, 9-1827C, 9-1828A; Supply Catalog: SNL G-740.

Classification: Standard.

Purpose: To transport command and reconnaissance personnel and light cargo.

GENERAL DATA

Crew	2; Passengers (including crew) 4
Weight (lb):	
Net	2,625
Payload	off highway 800; on highway 1,200
Gross	off highway 3,425; on highway 3,825
Live-axle gear ratio	5.38:1
Axle load (lb):	
Empty	front 1,363; rear 1,262
Loaded:	
Off highway	front 1,475; rear 1,950
On highway	front 1,475; rear 2,350
Tires:	
Ply 6; Size 7.00 x 16; Pressure (psi):	
Highway	28
Off highway	22
Mud, sand, or snow	15
Tread, center-to-center, front	(in.) 49 1/4
Shipping dimensions, uncrated	(cu ft) 266; (sq ft) 57
Vehicle dimensions:	
Ground clearance	(in.) 9 1/4
Pintle height, empty	(in.) 21 1/2
Electrical system	(volts) 24
No. of batteries	(12-volt) 2
Type of ground	negative
Fuel octane rating	.68
Capacities:	
Fuel	(gal) 13
Cooling system	(qt) 11 1/2
Crankcase, refill	(qt) 4
Transmission	(qt) 1 1/2
Transfer	(qt) 2
Axles (qt)	front 1 1/4; rear 1 3/4
Winch	Oil capacity (qt) 1/2; load capacity (lb) 3,500
Brakes:	
Manufacturer; Bendix	Type: hydraulic
Parking brake, type	transmission
Transmission:	
Forward speeds	3
Gear ratio	High 1:1; Low 2.80:1
Transfer:	
Speeds	2
Gear ratio	High 1:1; Low 2.43:1

PERFORMANCE

Computed grade ability in lowest gear, loaded	(percent) 65
Turning radius (ft)	right 20; (left) 19
Fording depth	(in.) 70
Fuel consumption, loaded	(mpg) 17
Cruising range, loaded	(mi) 220
Allowable speed, recommended	(mph) 60
Maximum recommended towed load:	
Off highway, gross	(lb) 1,500
On highway, gross	(lb) 2,000

ENGINE

Manufacturer: Willys	Model MC
Type	L-head, 4-cycle; No. of cylinders (in line) 4
Displacement	(cu in.) 134.2
Bore	(in.) 3 3/4
Stroke	(in.) 4 3/4
Compression ratio	6.48:1
Governed speed	not governed
Brake horsepower (max w/std accessories)	.51 at (rpm) 4,000
Torque (max)	.97 lb-ft at (rpm) 2,000

ADDITIONAL DATA

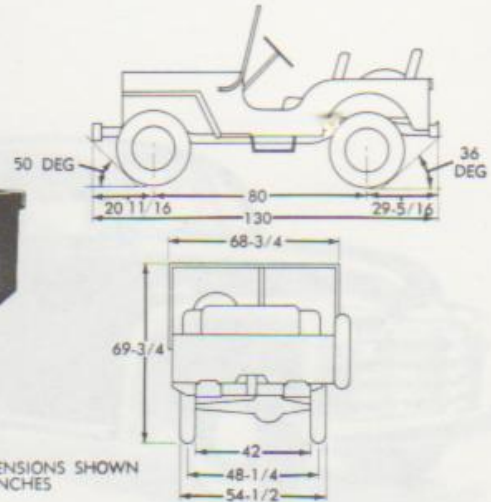
Live axles, type	hypoid, front full-floating; rear semi-floating
Transmission, type	synchromesh
Weights and axle loads are given for vehicle w/o winch. For vehicle w/winch, they are as follows:	
Weight (lb):	
Net	2,750
Payload	off highway 800; on highway 1,200
Gross	off highway 3,550; on highway 3,950
Axle load (lb):	
Empty	front 1,482; rear 1,268
Loaded:	
Off highway	front 1,595; rear 1,955
On highway	front 1,595; rear 2,355

TRUCK, UTILITY, 1/4-TON, 4 x 4 AND TRUCK, CARGO, 1/4-TON, 4 x 4

(Willys, Model CJ-3A)



RA PD 172643



NOTE: ALL DIMENSIONS SHOWN ARE IN INCHES

Classification: Nonclassified.

Purpose: To transport command and reconnaissance personnel and light cargo.

GENERAL DATA

Crew	1; Passengers (including crew) 4
Weight (lb):	
Net.....	2,203
Payload.....	off highway 800; on highway 1,200
Gross.....	off highway 3,003; on highway 3,403
Live-axle gear ratio	5.38:1
Axle load (lb):	
Empty.....	front 1,215; rear 988
Loaded:	
Off highway.....	front 1,359; rear 1,644
On highway.....	front 1,431; rear 1,972
Tires:	
Ply 4.....	Size 6.00 x 16; Pressure (psi) front 26; rear 28
Tread, center-to-center, front.....	(in.) 48 1/4
Shipping dimensions, uncrated	(cu ft) 276; (sq ft) 61 1/2
Vehicle dimensions:	
Ground clearance.....	(in.) 8 5/8
Pintle height, empty.....	(in.) 20 3/4
Electrical system	(volts) 6
No. of batteries.....	1
Type of ground.....	negative
Fuel octane rating	68
Capacities:	
Fuel.....	(gal) 10 1/2
Cooling system (qt).....	w/o heater 11; w/heater 12
Crankcase, refill.....	(qt) 4
Transmission, each.....	(qt) 1 1/2
Transfer.....	(qt) 1 3/4
Axles (each).....	(qt) 1 1/4
Brakes:	
Manufacturer; Bendix.....	Type; hydraulic
Parking brake, type.....	transfer
Transmission:	
Forward speeds.....	3
Gear ratio.....	High 1:1; Low 2.80:1
Transfer:	
Speeds.....	2
Gear ratio.....	High 1:1; Low 2.43:1

PERFORMANCE

Computed grade ability in lowest gear, loaded	(percent) 76
Turning radius	(ft) 18
Fuel consumption, loaded	(mpg) 17
Cruising range, loaded	(mi) 178
Allowable speed, recommended	(mph) 60
Maximum recommended towed load:	
Off highway, gross.....	(lb) 1,000
On highway, gross.....	(lb) 2,000

ENGINE

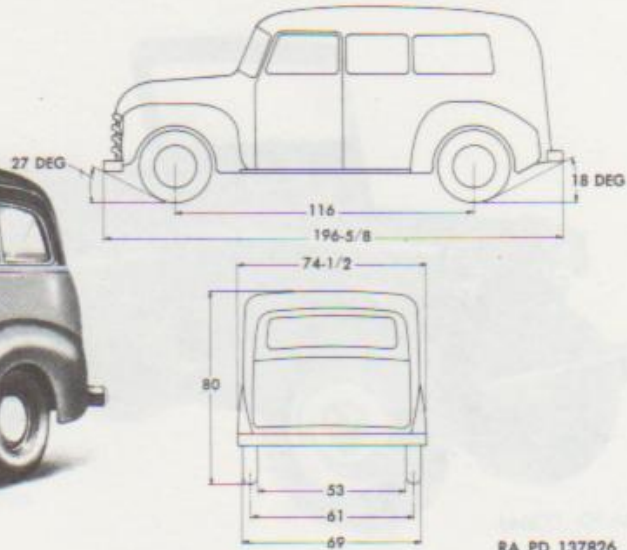
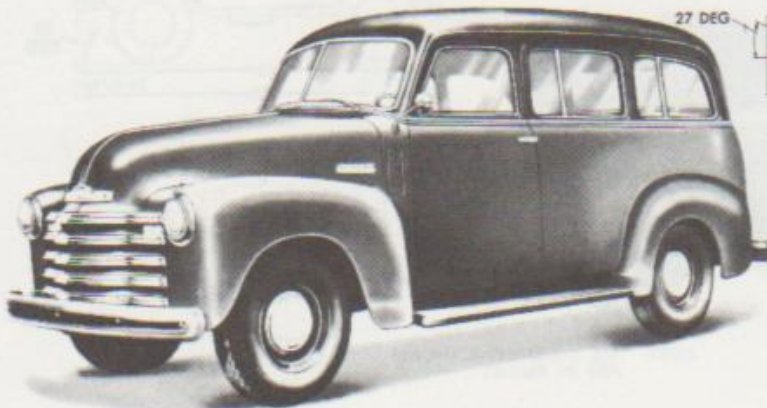
Manufacturer: Willys.....	CJ-3A
Type	L-head, 4-cycle; No. of cylinders (in line) 4
Displacement	(cu in.) 134.2
Bore	(in.) 3 1/4
Stroke	(in.) 4 3/4
Compression ratio	6.48:1
Governed speed	not governed
Brake horsepower, (max w/std accessories)54 at (rpm) 4,000
Torque (max)	105 lb-ft at (rpm) 2,000

ADDITIONAL DATA

Live axles, type	hypoid, full floating
Transmission	synchronesh

TRUCK, CARRYALL, 1/2-TON, 4 x 2

(Chevrolet, Model 3116, HP and JP, Suburban, 1950-51)



RA PD 137826

Classification: Standard.

Purpose: To transport light cargo and personnel.

GENERAL DATA

Crew	1; Passengers (including crew) 8
Weight (lb)	Net 3,855; Payload 1,000; Gross 4,855
Rear-axle gear ratio	4.11:1
Axle load (lb):	
Empty	front 1,835; rear 2,020
Loaded	front 2,045; rear 2,810
Tires:	
Ply 6	Size 6.50 x 16; Pressure (psi) front 35; rear 45
Tread, center-to-center, front	(in.) 56 3/4
Shipping dimensions, uncrated	(cu ft) 680; (sq ft) 102
Vehicle dimensions:	
Ground clearance	(in.) 8 3/4
Loading height, empty	(in.) 27 1/2
Body inside dimensions (in):	
Length 91 1/4	Width 61 1/4; Height 50 3/4
Cargo space	(cu ft) 165
Electrical system	(volts) 6
No. of batteries	1
Type of ground	negative
Fuel octane rating	70
Capacities:	
Fuel	(gal) 16
Cooling system	(qt) 15
Crankcase, refill	(qt) 5
Transmission	(qt) 3 1/2
Rear axle	(qt) 2 1/4
Brakes:	
Manufacturer; Chevrolet	Type; hydraulic
Parking brake, type	rear-wheel
Transmission:	
Forward speeds	3
Gear ratio	High 1:1; Low 2.94:1

PERFORMANCE

Computed grade ability in lowest gear, loaded	(percent) 25
Turning radius (ft)	right 19 3/4; left 20
Fording depth	(in.) 18
Fuel consumption, loaded	(mpg) 13
Cruising range, loaded	(mi) 208
Allowable speed, recommended	(mph) 70

ENGINE

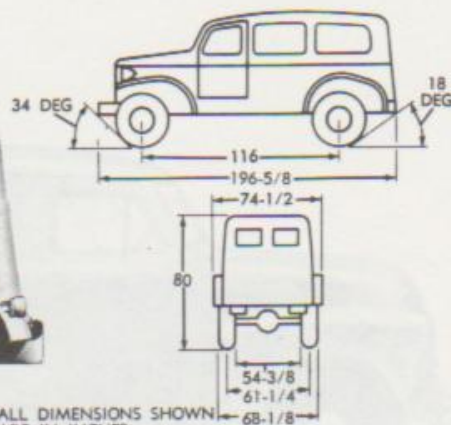
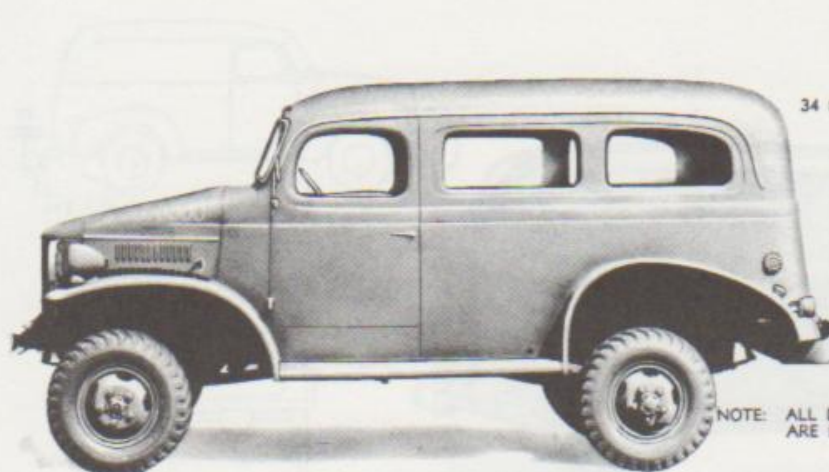
Manufacturer: Chevrolet	Model 1950-HB-1001 UP
	Model 1951-JB-1001 UP
Type	Valve-in-head, 4-cycle; No. of cylinders (in line) 6
Displacement	(cu in.) 216.5
Bore	(in.) 3 3/4
Stroke	(in.) 3 3/4
Compression ratio	6.6:1
Governed speed	not governed
Brake horsepower (max w/std accessories)	85 at (rpm) 3,300
Torque (max)	170 lb-ft at (rpm) 1,500

ADDITIONAL DATA

Rear axle, type	hypoid, semifloating
Transmission, type	synchromesh

TRUCK, CARRYALL, 1/2-TON, 4 x 2

(Dodge, Models WC-36, T112; WC-48, T112)



NOTE: ALL DIMENSIONS SHOWN ARE IN INCHES

RA PD 172697

Technical Manual: 10-1378.

Classification: Standard.

Purpose: To transport light cargo and personnel.

GENERAL DATA

Crew	1; Passengers (including crew) 8
Weight (lb)	Net 3,800; Payload 1,000 (on highway); Gross 4,800
Rear-axle gear ratio	4.1:1
Axle load (lb):	
Empty.....	front 1,820; rear 1,980
Loaded.....	front 2,030; rear 2,770
Tires:	
Ply 6.....	Size 6.50 x 16; Pressure (psi) 40
Tread, center-to-center, front.....	(in.) 55 3/4
Shipping dimensions, uncrated	(cu ft) 680; (sq ft) 102
Vehicle dimensions:	
Ground clearance.....	(in.) 8 1/4
Loading height, empty.....	(in.) 27 1/2
Body inside dimensions (in.):	
Length.....	91 1/2; Width 61 3/4; Height 50 1/4
Cargo space.....	(cu ft) 165
Electrical system	(volts) 6
No. of batteries.....	1
Type of ground.....	positive
Fuel octane rating	72
Capacities:	
Fuel.....	(gal) 18
Cooling system.....	(qt) 15 1/2
Crankcase, refill.....	(qt) 5
Transmission.....	(qt) 13 1/4
Rear axle.....	(qt) 13 1/4
Brakes:	
Manufacturer; Dodge.....	Type; hydraulic
Parking brake, type.....	transmission
Transmission:	
Forward speeds.....	3
Gear ratio.....	High 1:1; Low 3.3:1

PERFORMANCE

Computed grade ability in lowest gear, loaded	(percent) 37
Turning radius (ft)	Right 20 1/4; Left 23
Fording depth	(in.) 18
Fuel consumption, loaded	(mpg) 10
Cruising range, loaded	(mi) 180
Allowable speed, governed	(mph) 60

ENGINE

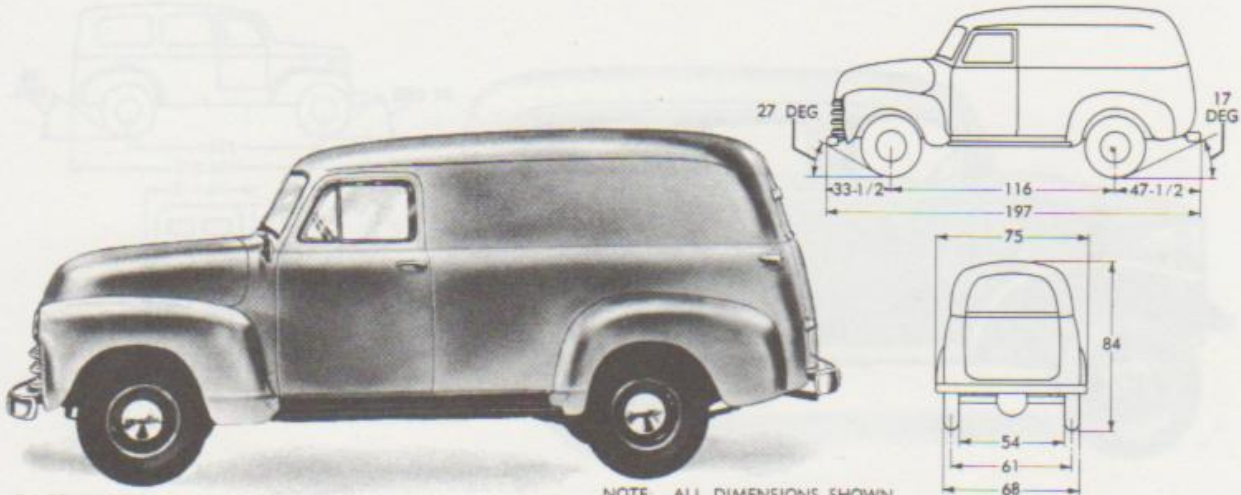
Manufacturer: Dodge.....	Model T-112
Type	L-head, 4-cycle; No. of cylinders (in line) 6
Displacement	(cu in.) 217.7
Bore	(in.) 3 1/4
Stroke	(in.) 4 3/4
Compression ratio	6.8:1
Governed speed	(rpm) 3,100
Brake horsepower (max w/std accessories)	85 at (rpm) 3,000
Torque (max)	170 lb-ft at (rpm) 1,200

ADDITIONAL DATA

Rear axle, type	hypoid, semifloating
Transmission, type	selective sliding-gear

TRUCK, PANEL, 1/2-TON, 4 x 2

(Chevrolet, Model 3105)



RA PD 172752

NOTE ALL DIMENSIONS SHOWN ARE IN INCHES

Classification: Nonclassified.

Purpose: To transport light cargo.

GENERAL DATA

Crew	1; Passengers (including crew) 2
Weight (lb)	Net 3,575
Payload	1,175
Gross	4,750
Rear-axle gear ratio	4.11:1
Axle load (lb):	
Empty	front 1,805; rear 1,770
Loaded	front 2,000; rear 2,750
Tires:	
Ply 6	Size 6.50 x 16; Pressure (psi) front 26; rear 36
Tread, center-to-center, front	(in.) 56 1/2
Shipping dimensions, uncrated	(cu ft) 723; (sq ft) 103
Vehicle dimensions:	
Ground clearance	(in.) 8 3/4
Loading height, empty	(in.) 28 1/4
Body inside dimensions (in.):	
Length 77 5/8	Width 61 1/2; Height 51 1/4
Cargo space	(cu ft) 141
Electrical system	(volts) 6
No. of batteries	1
Type of ground	negative
Fuel octane rating	72
Capacities:	
Fuel	(gal) 16
Cooling system (qt)	w/o heater 15; w/heater 16
Crankcase, refill	(qt) 5
Transmission	(qt) 34
Rear axle	(qt) 2 1/4
Brakes:	
Manufacturer; Chevrolet	Type; hydraulic
Parking brake, type	rear-wheel
Transmission:	
Forward speeds	3
Gear ratio	High 1:1; Low 2.94:1

PERFORMANCE

Computed grade ability in lowest gear, loaded	(percent) 30
Turning radius (ft)	right 19 1/4; left 20
Fording depth	(in.) 18
Fuel consumption, loaded	(mpg) 11
Cruising range, loaded	(mi) 176
Allowable speed, recommended	(mph) 60

ENGINE

Manufacturer; Chevrolet	Model HB or JB
Type	4-cycle, valve-in-head; No. of cylinders (in line) 6
Displacement	(cu in.) 216.5
Bore	(in.) 3 1/4
Stroke	(in.) 3 3/4
Compression ratio	6.6:1
Governed speed (rpm)	not governed
Brake horsepower (max w/std accessories)	85 at (rpm) 3,300
Torque (max w/std accessories)	170 lb-ft at (rpm) 1,000-2,000

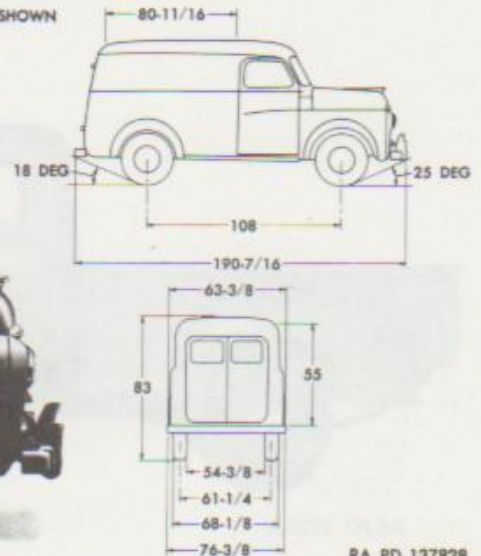
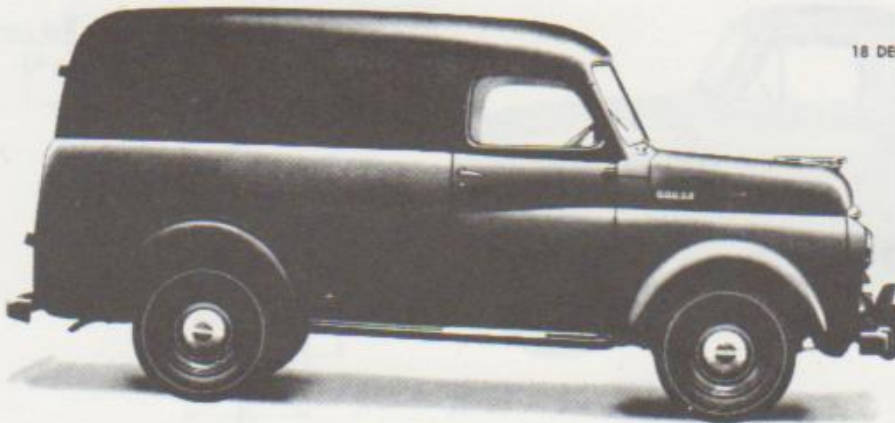
ADDITIONAL DATA

Rear axle, type	hypoid, semi-floating
Transmission, type	synchromesh

TRUCK, PANEL, 1/2-TON, 4 x 2

(Dodge, Model B1B108)

NOTE: ALL DIMENSIONS SHOWN ARE IN INCHES



RA PD 137828

Classification: Standard.

Purpose: To transport light cargo.

GENERAL DATA

Crew.....	2
Weight (lb).....	Net 3,400; Payload 1,450; (on highway) Gross 4,850
Rear-axle gear ratio.....	4.1:1
Axle load (lb):	
Empty.....	front 1,960; rear 1,440
Loaded.....	front 2,000; rear 2,850
Tires:	
Ply 6.....	Size 6.50 x 16; Pressure (psi) 36
Tread, center-to-center, front.....	(in.) 58 3/4
Shipping dimensions, uncrated.....	(cu ft) 698; (sq ft) 101
Vehicle dimensions:	
Ground clearance.....	(in.) 5 1/4
Loading height, empty.....	(in.) 28 1/2
Electrical system.....	(volts) 6
No. of batteries.....	1
Type of ground.....	positive
Fuel octane rating.....	70
Capacities:	
Fuel.....	(gal) 18
Cooling system.....	(qt) 17 1/2
Crankcase, refill.....	(qt) 5
Transmission.....	(qt) 13 1/4
Rear axle.....	(qt) 13 1/4
Brakes:	
Manufacturer; Dodge.....	Type; hydraulic
Parking brake, type.....	transmission
Transmission:	
Forward speeds.....	3
Gear ratio.....	High 1:1; Low 3.3:1

PERFORMANCE

Computed grade ability in lowest gear, loaded.....	(percent) 34
Turning radius.....	(ft) 19
Fording depth.....	(in.) 18
Fuel consumption, loaded.....	(mpg) 12
Cruising range, loaded.....	(mi) 216
Allowable speed, recommended.....	(mph) 60

ENGINE

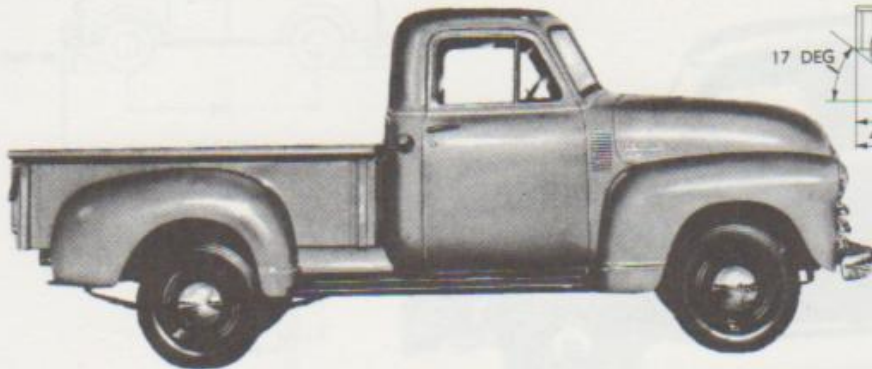
Manufacturer: Dodge.....	Model T-142
Type.....	L-head, 4-cycle; No. of cylinders (in line) 6
Displacement.....	(cu in.) 218
Bore.....	(in.) 3 1/4
Stroke.....	(in.) 4 3/4
Compression ratio.....	6.6:1
Brake horsepower, (max w/std accessories).....	82 at (rpm) 3,200
Torque (max w/std accessories).....	164 lb-ft at (rpm) 1,200

ADDITIONAL DATA

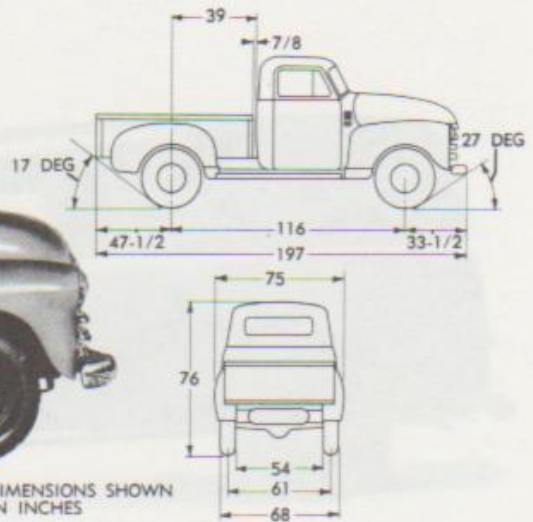
Rear axle, type.....	hypoid, semifloating
Transmission, type.....	selective sliding-gear

TRUCK, PICKUP, 1/2-TON, 4 x 2

(Chevrolet, Model 3104)



RA PD 172706



NOTE: ALL DIMENSIONS SHOWN ARE IN INCHES

Classification: Standard.

Purpose: To transport light cargo.

GENERAL DATA

Crew	1; No. Passengers (including crew)	3
Weight (lb):		
Net		3,330
Payload		1,270
Gross		4,600
Rear-axle gear ratio		4.11:1
Axle load (lb):		
Empty	front 1,855; rear 1,455	
Loaded	front 1,950; rear 2,650	
Tires:		
Ply 6	Size 6.50 x 16; Pressure (psi) front 26; rear 36	
Tread, center-to-center, front		(in.) 56 1/2
Shipping dimensions, uncrated		(cu ft) 650; (sq ft) 103
Vehicle dimensions:		
Ground clearance		(in.) 8 3/4
Loading height, empty		(in.) 30
Body inside dimensions (in.):		
Length 78	Width 50; Height 16 3/4	
Cargo space		(cu ft) 37
Electrical system (volts) 6		
No. of batteries		1
Type of ground		negative
Fuel octane rating		72
Capacities:		
Fuel		(gal) 17 1/2
Cooling system (qt)	w/o heater 15; w/heater 16	
Crankcase, refill		(qt) 5
Transmission		(qt) 9 1/2
Rear axle		(qt) 2 1/2
Brakes:		
Manufacturer; Chevrolet	Type; hydraulic	
Parking brake, type		rear-wheel
Transmission:		
Forward speeds		3
Gear ratio	High 1:1; Low 2.94:1	

PERFORMANCE

Computed grade ability in lowest gear, loaded	(percent) 31
Turning radius (ft)	Right 19 1/4; Left 20
Fording depth	(in.) 18
Fuel consumption, loaded	(mpg) 11
Cruising range, loaded	(mi) 192
Allowable speed, recommended	(mph) 60

ENGINE

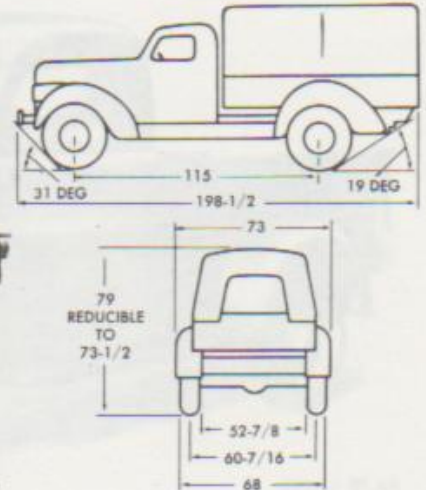
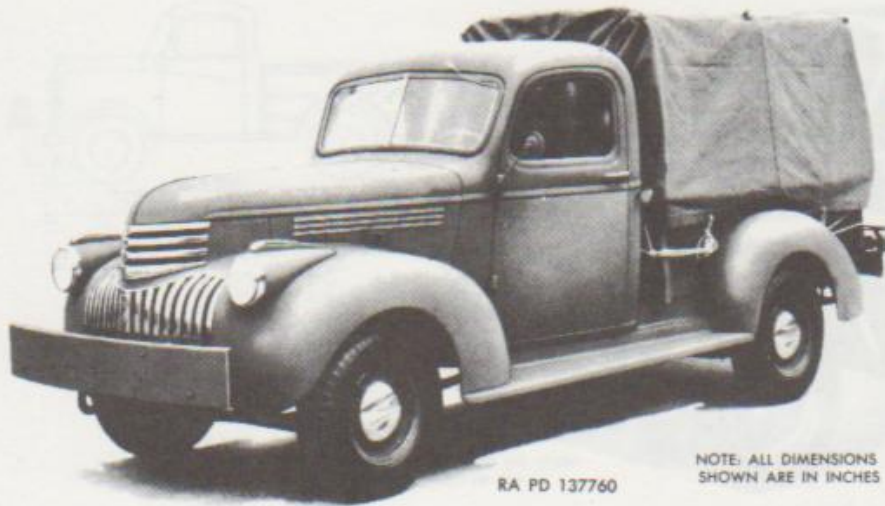
Manufacturer; Chevrolet	Model HB or JB
Type	4-cycle, valve-in-head; No. of cylinders (in line) 6
Displacement	(cu in.) 216.5
Bore	(in.) 3 1/4
Stroke	(in.) 3 3/4
Compression ratio	6.6:1
Governed speed	not governed
Brake horsepower (max w/std accessories)	85 at (rpm) 3,300
Torque (max w/std accessories)	170 lb-ft at (rpm) 1,000-2,000

ADDITIONAL DATA

Rear axle, type	hypoid, semifloating
Transmission, type	synchromesh

TRUCK, PICKUP, 1/2-TON, 4 x 2

(Chevrolet, Models KC, 1940; AK, 3104, 1941; BK, 3104, 1942)



NOTE: ALL DIMENSIONS SHOWN ARE IN INCHES

Technical Manuals: 10-1251; 10-1305; Supply Catalog: SNL G-612.

Vehicle illustrated: 1941-42, AK, 3104 and BK, 3104.
Classification: Standard.

Purpose: To transport light cargo.

GENERAL DATA

Crew	2
Weight (lb)	Net 3,385; Payload 1,000; Gross 4,385
Rear-axle gear ratio	4.11:1
Axle load (lb):	
Empty	front 1,780; rear 1,605
Loaded	front 1,855; rear 2,530
Tires:	
Ply 6	Size 15 in; Pressure (psi) 36
Tread, center-to-center, front	(in.) 57 1/4
Shipping dimensions, uncrated	(cu ft) 615; (sq ft) 101
Vehicle dimensions:	
Loading height, empty	(in.) 29
Ground clearance	(in.) 8 1/4
Body inside dimensions (in.):	
Length	78
Width	48 1/4
Height:	
Under bows	56
Over flares	16 1/4
Body cargo space	(cu ft) 122
Electrical system	(volts) 6
No. of batteries	1
Type of ground	negative
Fuel octane rating	70
Capacities:	
Fuel	(gal) 18
Cooling system	(qt) 14
Crankcase, refill	(qt) 5
Transmission	(qt) 3 1/4
Rear axle	(qt) 1 1/4
Brakes:	
Manufacturer; Chevrolet	Type; hydraulic
Parking brake, type	rear-wheel
Transmission:	
Forward speeds	3
Gear ratio	High 1:1; Low 2.94:1

PERFORMANCE

Computed grade ability in lowest gear, loaded	(percent) 25
Turning radius (ft)	right 19 1/4; left 20
Fording depth	(in.) 18
Allowable speed, governed	(mph) 60

ENGINE

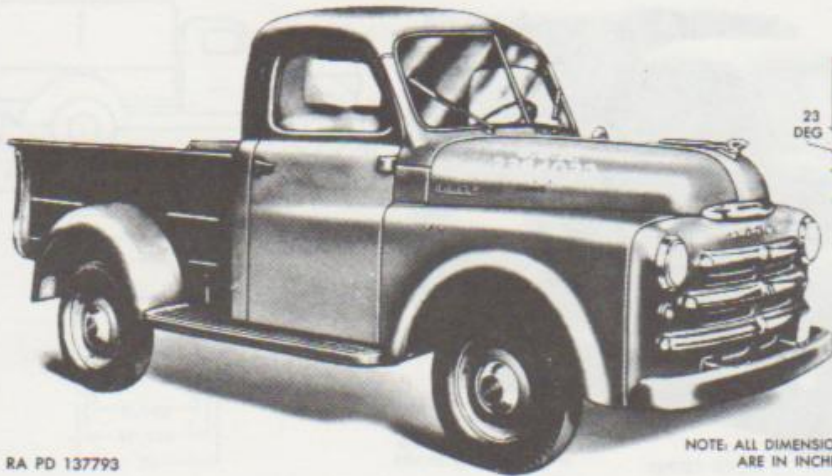
Manufacturer: Chevrolet:	
1941	Model AD or AE-1001 up
1942	Model BD 1001 up
Type	Valve-in-head, 4 cycle; No. of cylinders (in line) 6
Displacement	(cu in.) 216.5
Bore	(in.) 3 1/4
Stroke	(in.) 3 1/4
Compression ratio	6.5:1
Governed speed	(rpm) 3,100
Brake horsepower (max w/std accessories)	81.5 at (rpm) 3,100
Torque (max)	168 lb-ft at (rpm) 1,100

ADDITIONAL DATA

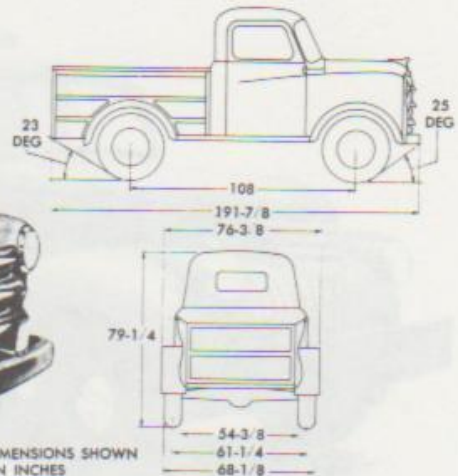
Rear axle, type	hypoid, semi-floating
Transmission, type	synchromesh

TRUCK, PICKUP, 1/2-TON, 4 x 2

(Dodge, Model B1B108)



RA PD 137793



NOTE: ALL DIMENSIONS SHOWN ARE IN INCHES

Classification: Standard.

Purpose: To transport light cargo.

GENERAL DATA

Crew	2; Passengers (including crew) 3
Weight (lb):	
Net.....	3,325
Payload.....	off highway 1,000; on highway 1,275
Gross.....	off highway 4,325; on highway 4,600
Rear-axle gear ratio	4.1:1
Axle load (lb):	
Empty.....	front 2,010; rear 1,315
Loaded:	
Off highway.....	front 2,010; rear 2,315
On highway.....	front 2,010; rear 2,590
Tires:	
Fly 6.....	Size 6.50 x 16; Pressure (psi) 45
Tread, center-to-center, front.....	(in.) 58 5/8
Shipping dimensions, uncrated	(cu ft) 672; (sq ft) 102
Vehicle dimensions (in.):	
Ground clearance.....	8 7/8
Loading height, empty.....	26
Body inside dimensions (in.):	
Length.....	78 1/8
Width.....	49
Height:	
Under bows.....	48
Side panel.....	22 1/4
Cargo space.....	(cu ft) 106
Electrical system	(volts) 6
No. of batteries.....	1
Type of ground.....	positive
Fuel octane rating	70
Capacities:	
Fuel.....	(gal) 18
Cooling system.....	(qt) 17 3/4
Crankcase, refill.....	(qt) 5
Transmission.....	(qt) 13 1/4
Rear axle.....	(qt) 13 1/4
Brakes:	
Manufacturer: Dodge.....	Type, hydraulic
Parking brake, type.....	transmission
Transmission:	
Forward speeds.....	3
Gear ratio.....	High 1:1; Low 3.3:1

PERFORMANCE

Computed grade ability in lowest gear, loaded	(percent) 33
Turning radius	(ft) 19
Fording depth	(in.) 18
Fuel consumption, loaded	(mpg) 12
Cruising range, loaded	(mi) 216
Allowable speed, recommended	(mph) 61

ENGINE

Manufacturer: Dodge.....	Model T-172
Type	L-head, 4-cycle; No. of cylinders (in line) 6
Displacement	(cu in.) 217.76
Bore	(in.) 3 1/4
Stroke	(in.) 4 3/4
Compression ratio	6.6:1
Governed speed	not governed
Brake horsepower (max w/std accessories)	82 at (rpm) 3,600
Torque (max w/std accessories)	165 lb-ft at (rpm) 1,200

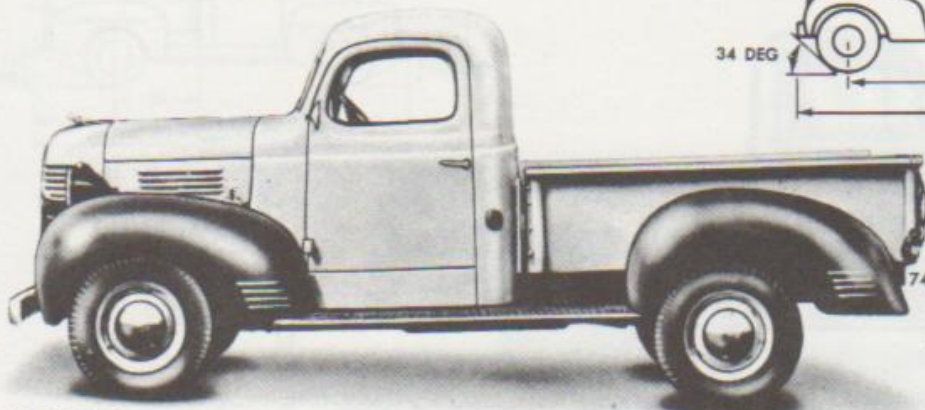
ADDITIONAL DATA

Rear axle, type	hypoid, semifloating
Transmission, type	selective sliding-gear

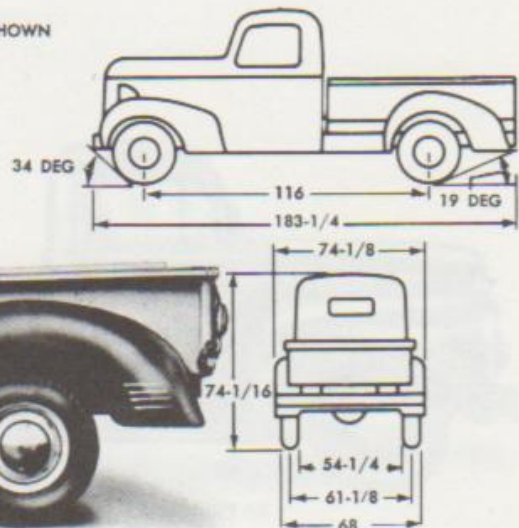
TRUCK, PICKUP, 1/2-TON, 4 x 2

(Dodge, Model WC, 1947)

NOTE: ALL DIMENSIONS SHOWN ARE IN INCHES



RA PD 137805



Classification: Standard.

Purpose: To transport light cargo and personnel.

GENERAL DATA

Crew	2
Weight (lb)	Net 3,365; Payload 1,000; Gross 4,365
Rear-axle gear ratio	4.1:1
Axle load (lb):	
Empty	front 1,800; rear 1,475
Loaded	front 1,885; rear 2,470
Tires:	
Ply 6; Size 6.50 x 16; Pressure	(psi) 36
Tread, center-to-center, front	(in.) 55 3/4
Shipping dimensions, uncrated	(cu ft) 594; (sq ft) 96
Vehicle dimensions:	
Ground clearance	(in.) 8 1/2
Loading height, empty	(in.) 25 3/4
Body inside dimensions (in.):	
Length	78
Width	48 1/2
Height:	
Over flares	16 1/4
Under bows	56
Body cargo space	(cu ft) 122
Electrical system	(volts) 6
Type of ground	positive
No. of batteries	1
Fuel octane rating	72
Capacities:	
Fuel	(gal) 18
Cooling system	(qt) 15 1/2
Crankcase, refill	(qt) 5
Transmission	(qt) 13 1/4
Rear axle	(qt) 13 1/4
Brakes:	
Manufacturer: Dodge	Type: hydraulic
Parking brake, type	transmission
Transmission:	
Forward speeds	3
Gear ratio	High 1:1; Low 3.3:1

PERFORMANCE

Computed grade ability in lowest gear, loaded	(percent) 37
Turning radius (ft)	right 19; left 24
Fording depth	(in.) 32
Fuel consumption, loaded	(mpg) 12
Cruising range, loaded	(mi) 216
Allowable speed, governed	(mph) 64

ENGINE

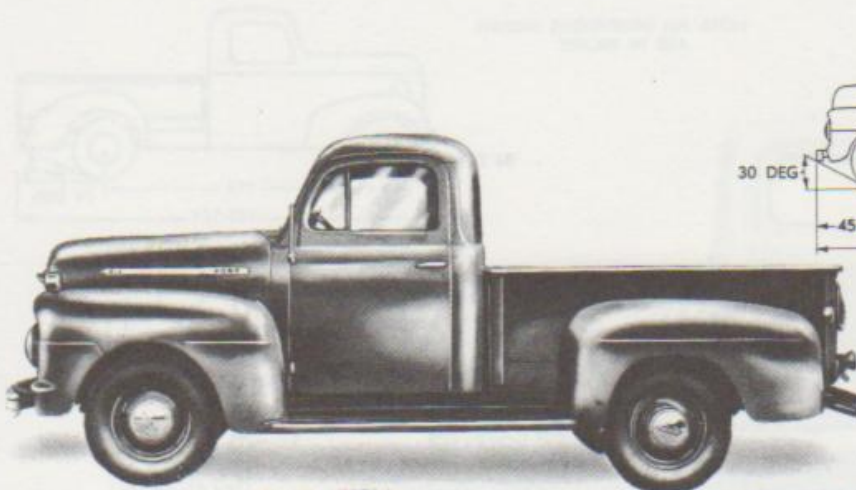
Manufacturer: Dodge	Model T-112
Type	L-head, 4-cycle; No. of cylinders (in line) 6
Displacement	(cu in.) 217.7
Bore	(in.) 3 1/4
Stroke	(in.) 4 3/4
Compression ratio	6.6:1
Governed speed	(rpm) 3,200
Brake horsepower (max w/std accessories)	85 at (rpm) 3,000
Torque (max)	172 lb-ft at (rpm) 1,200

ADDITIONAL DATA

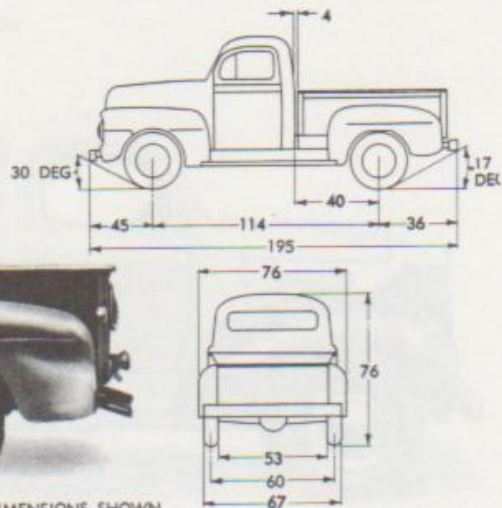
Rear axle, type	hypoid, semifloating
Transmission, type	selective sliding-gear

TRUCK, PICKUP, 1/2-TON, 4 x 2

(Ford, Model F-1)



RA PD 172714



NOTE: ALL DIMENSIONS SHOWN ARE IN INCHES

Classification: Standard.

Purpose: To transport light cargo.

GENERAL DATA

Crew	2
Weight (lb)	Net 3,305; Payload 1,295; Gross 4,600
Rear-axle gear ratio	3.92:1
Axle load (lb):	
Empty	front 1,905; rear 1,400
Loaded	front 2,000; rear 2,600
Tires:	
Ply 6	Size 6.50 x 16; Pressure (psi) 36
Tread, center-to-center, front	(in.) 58
Shipping dimensions, uncrated	(cu ft) 650; (sq ft) 103
Vehicle dimensions:	
Ground clearance	(in.) 8 1/2
Loading height	(in.) 27
Body inside dimensions (in.):	
Length	78
Width	49
Height	20
Cargo space	(cu ft) 44
Electrical system	(volts) 6
No. of batteries	1
Type of ground	positive
Fuel octane rating	72
Capacities:	
Fuel	(gal) 20
Cooling system	(qt) 23
Crankcase, refill	(qt) 5
Transmission	(qt) 13 1/4
Rear axles	(qt) 1 1/4
Brakes:	
Manufacturer; Ford	Type; hydraulic
Parking brake, type	rear-wheel
Transmission:	
Forward speeds	3
Gear ratio	High 1:1; Low 2.819:1

PERFORMANCE

Computed grade ability in lowest gear, loaded	(percent) 30
Turning radius	(ft) 21
Fording depth	(in.) 24
Fuel consumption, loaded	(mpg) 10
Cruising range, loaded	(mi) 200
Allowable speed, recommended	(mph) 55

ENGINE

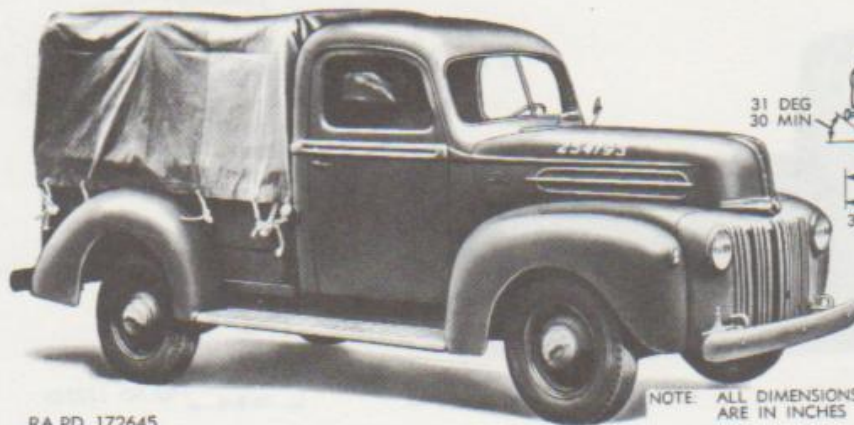
Manufacturer: Ford	Model B
Type	4-cycle, L-head; No. of cylinders (90-deg V) 8
Displacement	(cu in.) 239
Bore	(in.) 3 3/4
Stroke	(in.) 3 3/4
Compression ratio	6.8:1
Governed speed	not governed
Brake horsepower (max w/std accessories)	100 at (rpm) 3,800
Torque (max w/std accessories)	176 lb-ft at (rpm) 2,000

ADDITIONAL DATA

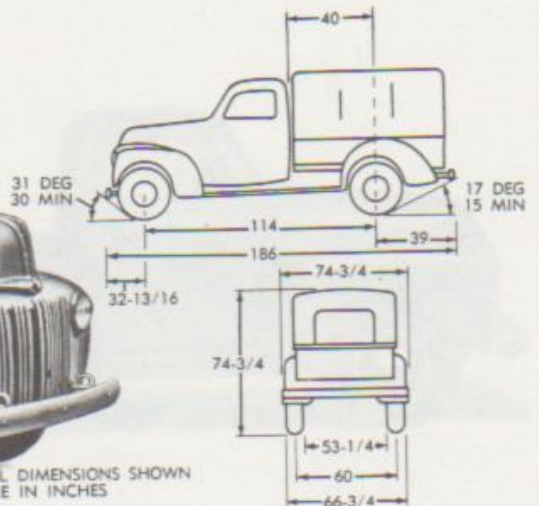
Rear axle, type	hypoid, semi-floating
Transmission, type	selective sliding-gear

TRUCK, PICKUP, 1/2-TON, 4 x 2

(Ford, Models 2GC, 6-cyl, 1942; 21C, 8-cyl, 1942)



RA PD 172645



NOTE: ALL DIMENSIONS SHOWN ARE IN INCHES

Technical Manuals: 10-1436, 10-1437; Supply Catalog: SNI, G-615.

Classification: Standard.

Purpose: To transport light cargo.

GENERAL DATA

Crew	2
Weight (lb): Net.....	3,290
Payload.....	off highway 1,000; on highway 1,310
Gross.....	off highway 4,290; on highway 4,600
Rear-axle gear ratio	3.78:1
Axle load (lb):	
Empty.....	front 1,700; rear 1,590
Loaded:	
Off highway.....	front 1,810; rear 2,480
On highway.....	front 1,840; rear 2,760
Tires:	
Ply 6.....	Size 6.50 x 16; Pressure (psi) 40
Tread, center-to-center, front.....	(in.) 58
Shipping dimensions, uncrated	(cu ft) 626; (sq ft) 99
Vehicle dimensions:	
Ground clearance.....	(in.) 5 1/4
Loading height, empty.....	(in.) 27
Body inside dimensions (in.):	
Length 78 3/4.....	Width 49; Height 50
Cargo space.....	(cu ft) 112
Electrical system	(volts) 6
No. of batteries.....	1
Type of ground.....	positive
Fuel octane rating	72
Capacities:	
Fuel.....	(gal) 19
Cooling system.....	(qt) 17 1/2
Crankcase, refill.....	(qt) 5
Transmission.....	(pt) 23 1/2
Differential.....	(pt) 23 1/2
Brakes:	
Manufacturer; Ford.....	type; hydraulic
Parking brake, type.....	rear-wheel
Transmission:	
Forward speeds.....	3
Gear ratio.....	High 1:1; Low 3.11:1

PERFORMANCE

Computed grade ability in lowest gear, loaded	(percent) 38
Turning radius	(ft) 21
Fording depth	(in.) 24
Fuel consumption, loaded	(mpg) 10
Cruising range, loaded	(mi) 190
Allowable speed, recommended	(mph) 65

ENGINE

Manufacturer: Ford.....	Model 20CS
Type	4-cycle, L-head; No. of cylinders (in line) 6
Displacement	(cu in.) 226
Bore	(in.) 3.3
Stroke	(in.) 4.4
Compression ratio	6.7:1
Governed speed	not governed
Brake horsepower (max w/std accessories)	90 at (rpm) 3,300
Torque (max w/std accessories)	180 lb-ft at (rpm) 1,200

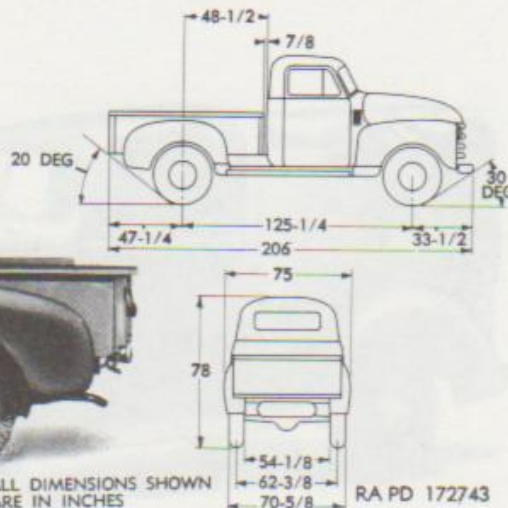
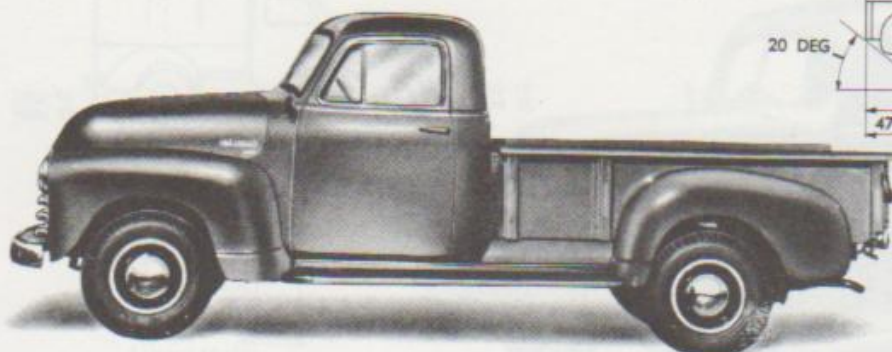
ADDITIONAL DATA

Changes in data for Model 21C, 8 cyl, are as follows:

Capacity:	
Cooling system.....	(qt) 21 1/2
Engine:	
Manufacturer: Ford.....	Model 21A
Type.....	4-cycle, L-head; No. of cylinders (90-deg) V8
Displacement.....	(cu in.) 221
Bore.....	3 1/4
Stroke.....	3 3/4
Compression ratio.....	6.2:1
Governed speed.....	not governed
Brake horsepower (max w/std accessories)	90 at (rpm) 3,800
Torque (max w/std accessories)	156 lb-ft at (rpm) 2,000
Data for 4-speed transmission:	
Gear ratio.....	High 1:1; Fourth 1.89:1; Low 6.4:1
Rear axle, type	spiral-bevel, semifloating
Transmission, type	selective sliding-gear

TRUCK, PICKUP, 3/4-TON, 4 x 2

(Chevrolet, Model 3604)



Classification: Nonclassified.

Purpose: To transport light cargo.

GENERAL DATA

Crew	1; No. Passengers (including crew)	3
Weight (lb):		
Net		3,650
Payload		1,750
Gross		5,400
Rear-axle gear ratio		4.57:1
Axle load (lb):		
Empty	front 1,990; rear 1,655	
Loaded	front 2,140; rear 3,260	
Tires:		
Ply 6	Size 15-in.; Pressure (psi) front 36; rear 40	
Tread, center-to-center, front		(in.) 57 1/4
Shipping dimensions, uncrated		(cu ft) 698; (sq ft) 107
Vehicle dimensions:		
Ground clearance		(in.) 7 1/4
Loading height, empty		(in.) 32
Body inside dimensions (in.):		
Length	87	Width 50; Height 16 1/4
Cargo space		(cu ft) 41
Electrical system		
No. of batteries		(volts) 6
Type of ground		negative
Fuel octane rating		72
Capacities:		
Fuel		(gal) 17 1/2
Cooling system (qt)	w/o heater 15; w/heater 16	
Crankcase, refill		(qt) 5
Transmission (qt)	3-speed, 3; 4-speed, 3 3/4	
Rear axle		(qt) 3
Brakes:		
Manufacturer; Chevrolet	Type; hydraulic	
Parking brake, type		rear-wheel
Transmission:		
Forward speeds		3 or 4
Gear ratio		High 1:1; Low 2.94:1

PERFORMANCE

Computed grade ability in lowest gear loaded	(percent)	24
Turning radius (ft)	Right 23 1/4; Left 24 1/4	
Fording depth		(in.) 18
Fuel consumption, loaded		(mpg) 10
Cruising range, loaded		(mi) 175
Allowable speed, recommended		(mph) 60

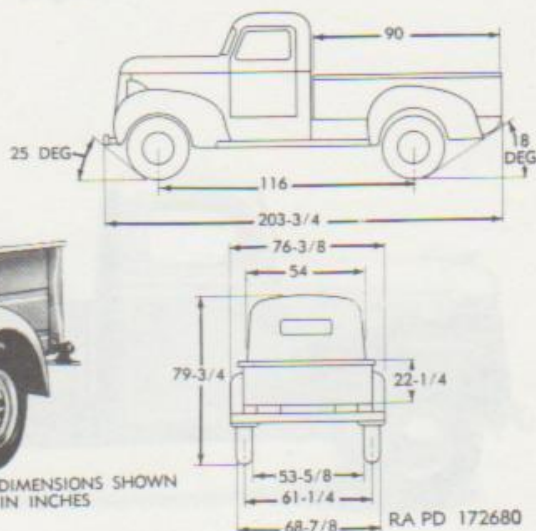
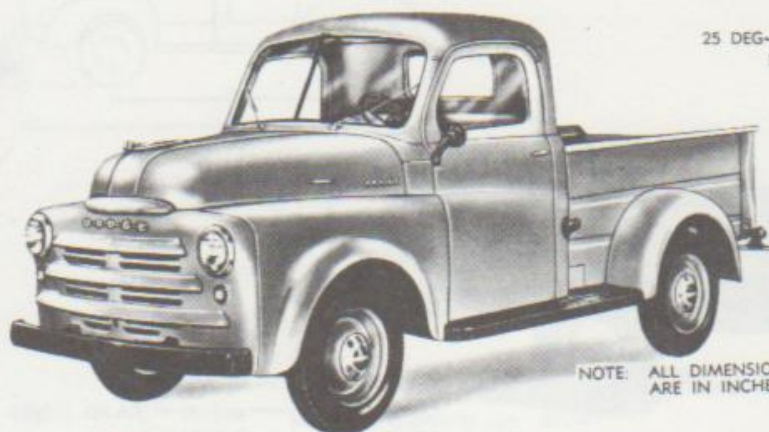
ENGINE

Manufacturer; Chevrolet	Model HB or JB
Type	4-cycle, valve-in-head; No. of cylinders (in line) 6
Displacement	(cu in.) 216.5
Bore	(in.) 3 1/2
Stroke	(in.) 3 3/4
Compression ratio	5.6:1
Governed speed	not governed
Brake horsepower (max w/std accessories)	.85 at (rpm) 3,300
Torque (max w/std accessories)	170 lb-ft at (rpm) 1,000-2,000

ADDITIONAL DATA

Rear axle, type	hypoid, full-floating
Transmission, type	synchromesh
This vehicle also comes equipped with 7.00 x 17 tires.	

TRUCK, PICKUP, 3/4-TON, 4 x 2 (Dodge, Model B1C116)



NOTE: ALL DIMENSIONS SHOWN ARE IN INCHES

RA PD 172680

Classification: Nonclassified.

Purpose: To transport light cargo.

GENERAL DATA

Crew	2; Passengers (including crew) 3
Weight (lb):	
Net.....	3,475
Payload.....	off highway 1,500; on highway 1,500
Gross.....	off highway 4,975; on highway 4,975
Rear-axle gear ratio	4.1:1
Axle load (lb):	
Empty.....	front 2,075; rear 1,400
Loaded:	
Off highway.....	front 2,090; rear 2,885
On highway.....	front 2,090; rear 2,885
Tires:	
Ply 6.....	Size 7.00 x 15; Pressure (psi) 40
Tread, center-to-center, front.....	(in.) 58 9/16
Shipping dimensions, uncrated	(cu ft) 718; (sq ft) 108
Vehicle dimensions:	
Ground clearance.....	(in.) 8 3/4
Loading height, empty.....	(in.) 30 3/4
Body inside dimensions (in.):	
Length.....	90
Width.....	54
Height:	
Under bows.....	47
Side panel.....	22 1/4
Cargo space.....	(cu ft) 132
Electrical system	(volts) 6
No. of batteries.....	1
Type of ground.....	positive
Fuel octane rating	70
Capacities:	
Fuel.....	(gal) 18
Cooling system.....	(qt) 17 1/4
Crankcase, refill.....	(qt) 5
Transmission	(qt) 19 1/4
Rear axle	(qt) 13 1/4
Brakes:	
Manufacturer: Dodge.....	Type; hydraulic
Parking brake, type.....	transmission
Transmission:	
Forward speeds.....	3
Gear ratio.....	High 1:1; Low 3.3:1

PERFORMANCE

Computed grade ability in lowest gear, loaded	(percent) 29
Turning radius	(ft) 20
Fording depth	(in.) 18
Fuel consumption, loaded	(mpg) 9
Cruising range	(mi) 162
Allowable speed, recommended	(mph) 62

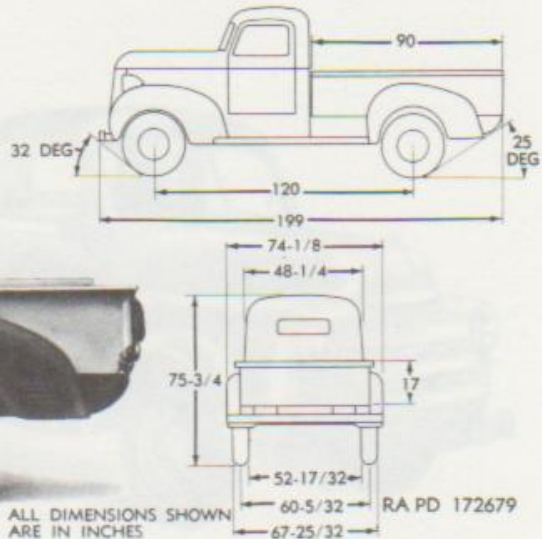
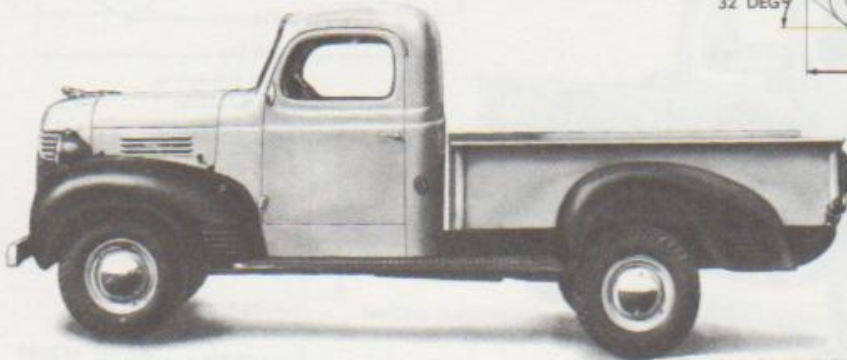
ENGINE

Manufacturer: Dodge.....	Model T-144
Type	L-head, 4 cycle; No. of cylinders (in line) 6
Displacement	(cu in.) 217.76
Bore	(in.) 3 1/4
Stroke	(in.) 4 3/4
Compression ratio	6.6:1
Governed speed	not governed
Brake horsepower (max w/std accessories)	82 at (rpm) 3,200
Torque (max)	164 lb-ft at (rpm) 1,200

ADDITIONAL DATA

Rear axle, type	hypoid, semifloating
Transmission, type	selective sliding-gear

TRUCK, PICKUP, 3/4-TON, 4 x 2 (Dodge, Model WD-15, 1947)



NOTE ALL DIMENSIONS SHOWN ARE IN INCHES

Classification: Nonclassified.

Purpose: To transport light cargo.

GENERAL DATA

Crew	2; Passengers (including crew) 3
Weight (lb):	
Net.....	3,200
Payload.....	off highway 1,500; on highway 1,500
Gross.....	off highway 4,700; on highway 4,700
Rear-axle gear ratio	4.1:1
Axle load (lb):	
Empty.....	front 1,800; rear 1,400
Loaded:	
Off highway.....	front 1,800; rear 2,900
On highway.....	front 1,800; rear 2,900
Tires:	
Ply 6.....	Size 7.00 x 15; Pressure (psi) 40
Tread, center-to-center, front.....	(in.) 55 ⁵ / ₁₆
Shipping dimensions, uncrated	(cu ft) 647; (sq ft) 103
Vehicle dimensions:	
Ground clearance.....	(in.) 8 ³ / ₄
Loading height, empty.....	(in.) 31 ¹ / ₄
Body inside dimensions (in.):	
Length.....	90
Width.....	48 ¹ / ₄
Height:	
Under bows.....	42 ¹ / ₂
Side panel.....	17
Cargo space.....	(cu ft) 107
Electrical system	(volts) 6
No. of batteries.....	1
Type of ground.....	positive
Fuel octane rating70
Capacities:	
Fuel.....	(gal) 18
Cooling system.....	(qt) 17
Crankcase, refill.....	(qt) 5
Transmission.....	(qt) 13 ⁴ / ₈
Rear axle.....	(qt) 13 ⁴ / ₈
Brakes:	
Manufacturer; Dodge.....	Type; hydraulic
Parking brake, type.....	transmission
Transmission:	
Forward speeds.....	3
Gear ratio.....	High 1:1; Low 3.3:1

PERFORMANCE

Computed grade ability in lowest gear, loaded	(percent) 30
Turning radius (ft.)	Right 21; Left 27
Fording depth	(in.) 18
Fuel consumption, loaded	(mpg) 9
Cruising range, loaded	(mi) 162
Allowable speed, recommended	(mph) 62

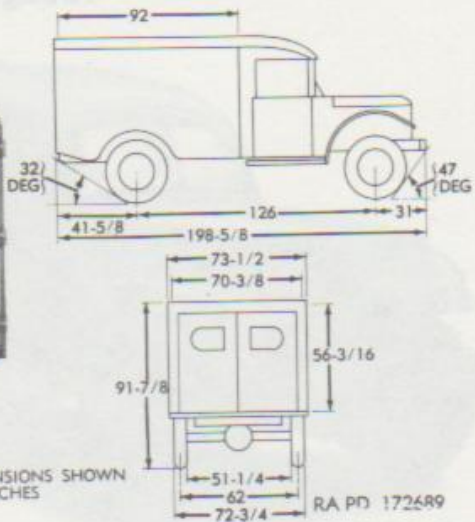
ENGINE

Manufacturer; Dodge.....	Model T-114
Type	L-head, 4-cycle; No. of cylinders (in line) 6
Displacement	(cu in.) 217.76
Bore	(in.) 3 ¹ / ₄
Stroke	(in.) 4 ³ / ₈
Compression ratio	6.6:1
Governed speed	not governed
Brake horsepower (max w/std accessories)	80 at (rpm) 3,200
Torque (max)	162 lb-ft at (rpm) 1,200

ADDITIONAL DATA

Rear axle, type	hypoid, semifloating
Transmission, type	selective sliding-gear

TRUCK, AMBULANCE, 3/4-TON, 4 x 4, M43



NOTE: ALL DIMENSIONS SHOWN ARE IN INCHES

Technical Manuals: 9-840, 9-1825A, 9-1825B, 9-1826A, 9-1828A, 9-1829A, 9-1840A, 9-1840B; Supply Catalog: SNL G-741.

Classification: Standard.

Purpose: To transport sick and wounded personnel.

GENERAL DATA

Crew	2
Weight (lb)	Net 7,150; Payload 1,400; Gross 8,550
Live-axle gear ratio	5.83:1
Axle load (lb):	
Empty	front 3,300; rear 3,850
Loaded	front 3,460; rear 5,090
Tires:	
Ply 8	Size 9.00 x 16; Pressure (psi) 40
Tread, center-to-center, front	(in.) 62
Shipping dimensions, uncrated	(cu ft) 790; (sq ft) 103.5
Vehicle dimensions:	
Ground clearance	(in.) 10 3/4
Loading height, empty	(in.) 34
Electrical system	(volts) 24
No. of batteries	2
Type of ground	negative
Fuel octane rating	72
Capacities:	
Fuel	(gal) 24
Cooling system, w/o heater	(qt) 17
Crankcase, refill	(qt) 5
Transmission	(qt) 2 1/2
Transfer	(qt) 1 1/2
Axles	(each) (qt) 3
Brakes:	
Manufacturer; Dodge	Type; hydraulic
Parking brake, type	transfer
Transmission:	
Forward speeds	4
Gear ratio	High 1:1; Low 6.4:1
Transfer:	
Speeds	2
Gear ratio	High 1:1; Low 1.96:1

PERFORMANCE

Computed grade ability in lowest gear, loaded	(percent) 65
Turning radius	(ft) 27
Fuel consumption	(mpg) 9
Cruising range, loaded	(mi) 215
Allowable speed, governed	(mph) 55

ENGINE

Manufacturer: Dodge	Model T-245
Type	4-cycle, L-head; No. of cylinders (in line) 6
Displacement	(cu in.) 230.2
Bore	(in.) 3 3/4
Stroke	(in.) 4 9/16
Compression ratio	6.7:1
Governed speed	(rpm) 3,400
Brake horsepower (max w/std accessories)	78 at (rpm) 3,200
Torque (max w/std accessories)	177 lb-ft at (rpm) 1,200

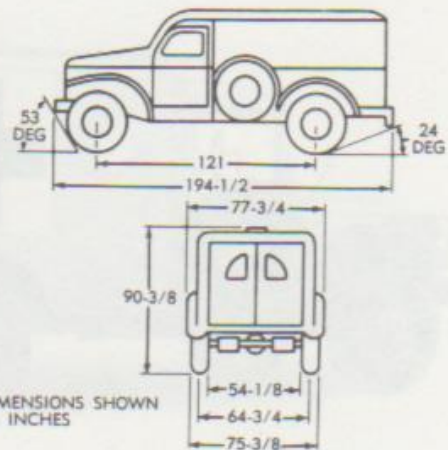
ADDITIONAL DATA

4-litter, insulated body	
Live axles, type	hypoid, full-floating
Transmission, type	synchromesh

TRUCK, AMBULANCE, 3/4-TON, 4 x 4 (Dodge, Model WC54, T214)



RA PD 172696



NOTE: ALL DIMENSIONS SHOWN
ARE IN INCHES

Technical Manuals: 9-805; 9-1808A; 9-1808B; Supply Catalog: SNL G-502.

Classification: Limited Standard.

Purpose: To transport sick and wounded personnel.

GENERAL DATA

Crew.....	2
Passengers in addition to crew:	
Litter patients.....	4
Or sitting patients.....	7
Weight (lb)	Net 5,920; Payload 1,800; Gross 7,720
Live-axle gear ratio	5.83:1
Axle load (lb):	
Empty.....	front 2,740; rear 3,180
Loaded.....	front 2,980; rear 4,740
Tires:	
Ply 8.....	Size 9.00 x 16; Pressure (psi) 40
Tread, center-to-center, front.....	(in.) 64 3/4
Shipping dimensions, uncrated	(cu ft) 791; (sq ft) 105
Vehicle dimensions:	
Ground clearance.....	(in.) 10 3/4
Loading height, empty.....	(in.) 30
Pintle height (in.).....	loaded 24; empty 28
Electrical system	(volts) 6
No. of batteries.....	1
Type of ground.....	negative
Fuel octane rating	72
Capacities:	
Fuel.....	(gal) 30
Cooling system.....	(qt) 17
Crankcase, refill.....	(qt) 5
Transfer.....	(qt) 2
Transmission.....	(qt) 3
Axles (each).....	(qt) 2 1/2
Brakes:	
Manufacturer; Dodge.....	Type; hydraulic
Parking brake, type.....	transmission
Transmission:	
Forward speeds.....	4
Gear ratio.....	High 1:1; Low 6.40:1
Transfer:	
Speeds.....	1
Gear ratio.....	1:1

PERFORMANCE

Computed grade ability in lowest gear, loaded	(percent) 52
Turning radius	(ft) 26
Fording depth	(in.) 34
Fuel consumption, loaded	(mpg) 8
Cruising range, loaded	(mi) 240
Allowable speed, governed	(mph) 54
Maximum recommended towed load:	
Off highway, gross.....	(lb) 1,000
On highway, gross.....	(lb) 4,000

ENGINE

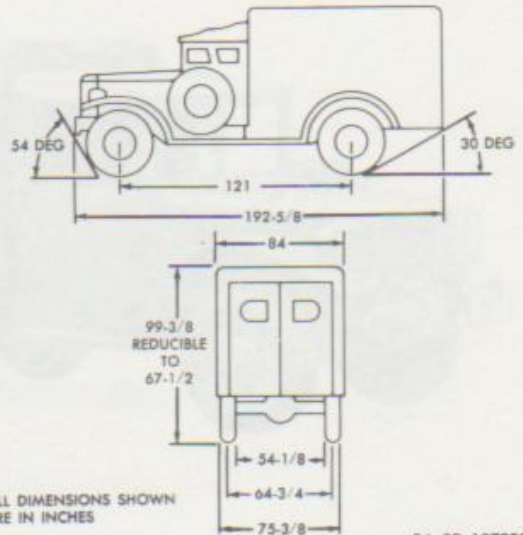
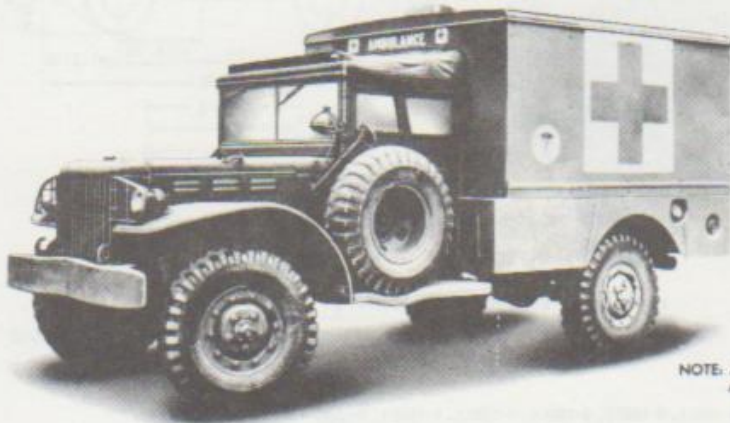
Manufacturer: Dodge.....	Model T-214
Type	L-head, 4-cycle; No. of cylinders (in line) 6
Displacement	(cu in.) 230.2
Bore	(in.) 3 3/4
Stroke	(in.) 4 5/8
Compression ratio	6.7:1
Governed speed	(rpm) 3,200
Brake horsepower (max w/std accessories)	76 at (rpm) 3,200
Torque (max)	180 lb-ft at (rpm) 1,200

ADDITIONAL DATA

Live Axles, type	hypoid, full-floating
Transmission, type	selective sliding-gear
S8 Body used on some World War II vehicles when rebuilt.	

TRUCK, AMBULANCE, 3/4-TON, 4 x 4, (KD)

(Dodge, Model WC 64, T214)



NOTE: ALL DIMENSIONS SHOWN ARE IN INCHES

RA PD 137838

Technical Manuals: 9-808; 9-1808A; 9-1808B; Supply Catalog: SNI, G-502.

Classification: Limited Standard.

Purpose: To transport sick and wounded personnel.

GENERAL DATA

Crew	2; Passengers (including crew) 6
Weight (lb)	Net 7,000; Payload 1,500; Gross 8,500
Live-axle gear ratio	5.83:1
Axle load (lb):	
Empty	front 2,895; rear 4,105
Loaded	front 2,935; rear 5,565
Tires:	
Ply 8	Size 9.00 x 16; Pressure (psi) 40
Tread, center-to-center, front	(in.) 64 3/4
Shipping dimensions, uncrated	(cu ft) 917; (sq ft) 111
Vehicle dimensions:	
Ground clearance	(in.) 10 1/2
Pintle height, empty	(in.) 28
Electrical system	(volts) 6
No. of batteries	1
Type of ground	negative
Fuel octane rating	72
Capacities:	
Fuel	(gal) 30
Cooling system	(qt) 17
Crankcase, refill	(qt) 5
Transfer	(qt) 2
Transmission	(qt) 3
Axles (each)	(qt) 2 1/2
Brakes:	
Manufacturer: Dodge	Type; hydraulic
Parking brake, type	transmission
Transmission:	
Forward speeds	4
Gear ratio	High 1:1; Low 6.40:1
Transfer:	
Speeds	1
Gear ratio	1:1

PERFORMANCE

Computed grade ability in lowest gear, loaded	(percent) 46
Turning radius	(ft) 26
Fording depth	(in.) 34
Fuel consumption, loaded	(mpg) 8
Cruising range, loaded	(mi) 240
Allowable speed, governed	(mph) 54
Maximum recommended towed load:	
Off highway, gross	(lb) 1,000
On highway, gross	(lb) 4,000

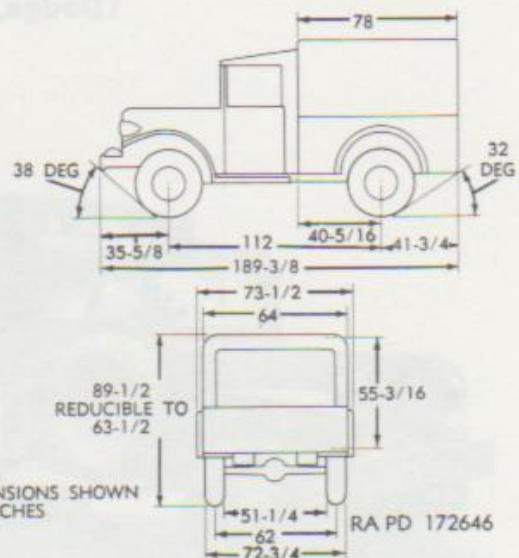
ENGINE

Manufacturer: Dodge	Model T-214
Type	L-head, 4-cycle; No. of cylinders (in line) 6
Displacement	(cu in.) 290.2
Bore	(in.) 3 3/4
Stroke	(in.) 4 1/2
Compression ratio	6.7:1
Governed speed	(rpm) 3,200
Brake horsepower (max w/std accessories)	76 at (rpm) 3,200
Torque (max)	180 lb-ft at (rpm) 1,200

ADDITIONAL DATA

Live Axles, type	hypoid, full-floating
Transmission, type	selective sliding-gear
SS Body used on some World War II vehicles when rebuilt.	

TRUCK, CARGO, 3/4-TON, 4 x 4, M37, W/ AND W/O WINCH (Dodge)



NOTE: ALL DIMENSIONS SHOWN ARE IN INCHES

Technical Manuals: 9-840, 9-1340A, 9-1480B; 9-1825A, 9-1825B, 9-1826A, 9-1828A, 9-1829A, Supply Catalog: SNL G-741.

Classification: Standard.

Purpose: To transport general cargo.

GENERAL DATA

Crew.....	2
Weight (lb):	
Net.....	5,917
Payload w/crew.....	off highway 1,500; on highway 2,000
Gross.....	off highway 7,417; on highway 7,917
Live-axle gear ratio.....	5.83:1
Axle load (lb):	
Empty.....	front 3,251; rear 2,666
Loaded:	
Off highway.....	front 3,251; rear 4,166
On highway.....	front 3,251; rear 4,666
Tires:	
Ply 8.....	Size 9.00 x 16; Pressure (psi) 45
Tread, center-to-center, front.....	(in.) 62
Shipping dimensions, uncrated:	
W/winch.....	(cu ft) 515; (sq ft) 97
W/o winch.....	(cu ft) 503; (sq ft) 95
Vehicle dimensions (in.):	
Ground clearance.....	10 1/4
Pintle height, empty.....	25 1/4
Loading height, empty.....	29 1/4
Body inside dimensions:	
Length 78.....	Width 64; Height 55 1/2
Body cargo space.....	(cu ft) 160
Electrical system.....	(volts) 24
No. of batteries.....	(12-volt) 2
Type of ground.....	negative
Fuel octane rating.....	72
Capacities:	
Fuel.....	(gal) 24
Cooling system.....	(qt) 25
Crankcase, refill.....	(qt) 5
Transmission (qt).....	w/power take-off 5 1/4
.....	w/o power take-off 4 1/4
Transfer.....	(qt) 2 1/2
Axles.....	(each) (qt) 3
Winch.....	Oil capacity (qt) 1; load capacity (lb) 7,500
Brakes:	
Manufacturer; Dodge.....	Type; hydraulic
Parking brake, type.....	transfer

GENERAL DATA—Continued

Transmission:	
Forward speeds.....	4
Gear ratio.....	High 1:1; Low 6.4:1
Transfer:	
Speeds.....	2
Gear ratio.....	High 1:1; Low 1.96:1

PERFORMANCE

Computed grade ability in lowest gear, loaded.....	(percent) 65
Turning radius.....	(ft) 25
Fording depth.....	complete submergence
Fuel consumption, loaded.....	(mpg) 9
Cruising range, loaded.....	(mi) 215
Allowable speed, governed.....	(mph) 55
Maximum recommended towed load.....	(lb) 4,000

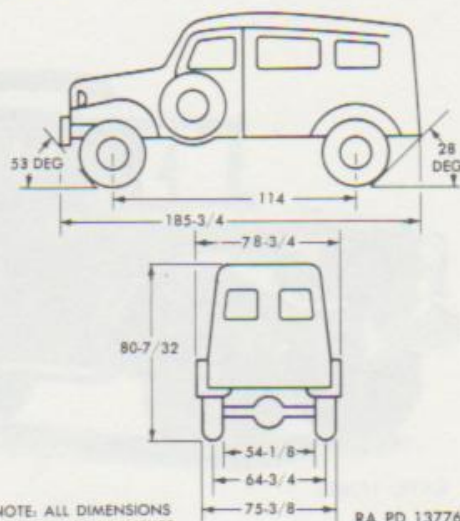
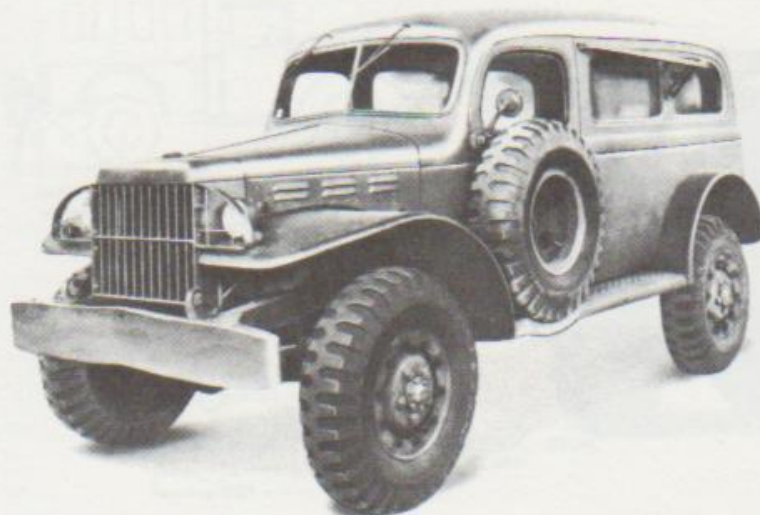
ENGINE

Manufacturer: Dodge.....	Model T-245
Type.....	L-head, 4-cycle; No. of cylinders (in line) 6
Displacement.....	(cu in.) 236.2
Bore.....	(in.) 3 1/4
Stroke.....	(in.) 4 3/4
Compression ratio.....	6.7:1
Governed speed.....	(rpm) 3,200
Brake horsepower (max w/ std accessories).....	78 at (rpm) 3,200
Torque (max w/ std accessories).....	177 lb-ft at (rpm) 1,200

ADDITIONAL DATA

Live Axles, type.....	hypoid, full-floating
Transmission, type.....	synchromesh
Data given for vehicle w/winch. Changes in data for vehicles w/o winch are as follows:	
Length, over-all.....	(in.) 184 1/4
Weight (lb):	
Net.....	5,887
Gross.....	off highway 7,187; on highway 7,687
Axle load (lb):	
Empty.....	front 2,981; rear 2,706
Loaded:	
Off highway.....	front 2,981; rear 4,206
On highway.....	front 2,981; rear 4,706

TRUCK, CARRYALL, 3/4-TON, 4 x 4 (Dodge, Model WC53, T-214)



NOTE: ALL DIMENSIONS SHOWN ARE IN INCHES

RA PD 137761

Technical Manuals: 9-808; 9-1808A; 9-1808B; 9-1829A; Supply Catalog: SNL G-502.

Classification: Limited Standard.

Purpose: To transport personnel and light cargo.

GENERAL DATA

Crew	2; Passengers (including crew) 7
Weight (lb)	Net 5,750; Payload 1,800; Gross 7,550
Live-axle gear ratio	5.83:1
Axle load (lb):	
Empty	front 2,875; rear 2,875
Loaded	front 3,130; rear 4,420
Tires:	
Ply 8	Size 9.00 x 16; Pressure (psi) front 40; rear 40
Tread, center-to-center, front	(in.) 64 3/4
Shipping dimensions, uncrated	(cu ft) 678; (sq ft) 102
Vehicle dimensions:	
Ground clearance	(in.) 10 3/4
Loading height, empty	(in.) 29
Electrical system	(volts) 12
No. of batteries	1
Type of ground	negative
Fuel octane rating	72
Capacities:	
Fuel	(gal) 30
Cooling system	(qt) 17
Crankcase, refill	(qt) 5
Transfer case	(qt) 2
Transmission	(qt) 3
Axles (each)	(qt) 2 1/2
Brakes:	
Manufacturer; Dodge	Type; hydraulic
Parking brake, type	transmission
Transmission:	
Forward speeds	4
Gear ratio	High 1:1; Low 6.40:1
Transfer:	
Speeds	1
Gear ratio	1:1

PERFORMANCE

Computed grade ability in lowest gear, loaded	(percent) 53
Turning radius (ft)	right 25; left 25
Fording depth	(in.) 34
Fuel consumption, loaded	(mpg) 8
Cruising range, loaded	(mi) 240
Allowable speed, governed	(mph) 54

ENGINE

Manufacturer; Dodge	Model T-214
Type	L-head, 4-cycle; No. of cylinders (in line) 6
Displacement	(cu in.) 230.2
Bore	(in.) 3 1/4
Stroke	(in.) 4 3/4
Compression ratio	.67:1
Governed speed	(rpm) 3,200
Brake horsepower (max w/std accessories)	76 at (rpm) 3,200
Torque (max)	180 lb-ft at (rpm) 1,200

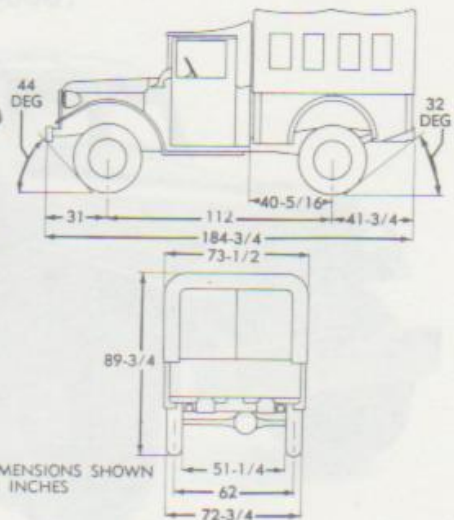
ADDITIONAL DATA

Live axles, type	hypoid, full-floating
Transmission, type	selective sliding gear
Body inside dimensions (cargo space) (in.):	
Length 92	Width 58 1/2; Height 50 1/2

TRUCK, COMMAND, 3/4-TON, 4 x 4, M42



RA PD 172653



NOTE: ALL DIMENSIONS SHOWN ARE IN INCHES

Technical Manuals: 9-840, 9-1825A, 9-1825B, 9-1826A, 9-1828A, 9-1829A, 9-1840A, 9-1840B; Supply Catalog: SNL G-741

Classification: Standard.

Purpose: To transport command and reconnaissance personnel and light cargo.

GENERAL DATA

Crew	2
Weight (lb)	Net 6,050; Payload 1,500; Gross 7,550
Live-axle gear ratio	5.83:1
Axle load (lb):	
Empty	front 3,000; rear 3,050
Loaded	front 3,175; rear 4,375
Tires:	
Ply 8	Size 9.00 x 16; Pressure (psi) 40
Tread, center-to-center, front	(in.) 62
Shipping dimensions, uncrated	(cu ft) 695; (sq ft) 93 1/2
Vehicle dimensions:	
Ground clearance	(in.) 10 1/4
Pintle height, empty	(in.) 25 1/4
Loading height, empty	(in.) 33
Body inside dimensions (in.):	
Length	78
Width	64
Height	53 1/4
Cargo space	(cu ft) 155
Electrical system	(volts) 24
No. of batteries	2
Type of ground	negative
Fuel octane rating	72
Capacities:	
Fuel	(gal) 24
Cooling system, w/o heater	(qt) 17
Crankcase, refill	(qt) 5
Transmission	(qt) 2 1/2
Transfer	(qt) 1 1/4
Axles (each)	(qt) 3
Brakes:	
Manufacturer: Dodge	Type; hydraulic
Parking brake, type	transfer
Transmission:	
Forward speeds	4
Gear ratio	High 1:1; Third 1.69:1; Low 6.4:1
Transfer:	
Speeds	1
Gear ratio	High 1:1; Low 1.96:1

PERFORMANCE

Computed grade ability in lowest gear, loaded	(percent) 65
Turning radius	(ft) 25
Fording depth	(in.) 84
Fuel consumption, loaded	(mpg) 9
Cruising range, loaded	(mi) 215
Allowable speed, governed	(mph) 55
Maximum recommended towed load	(lb) 4,000

ENGINE

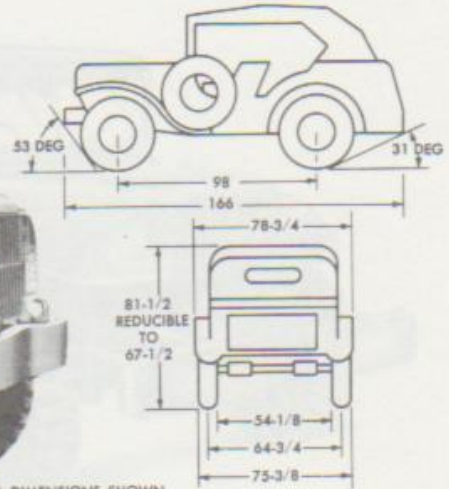
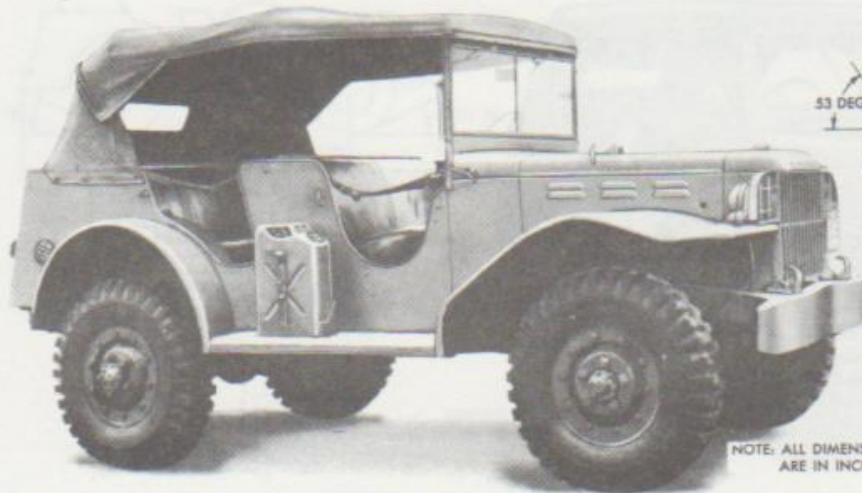
Manufacturer: Dodge	Model T-245
Type	4-cycle, L-head; No. of cylinders (in line) 6
Displacement	(cu in.) 230.2
Bore	(in.) 3 1/4
Stroke	(in.) 4 5/8
Compression ratio	6.7:1
Governed speed	(rpm) 3,400
Brake horsepower (max w/std accessories)	78 at (rpm) 3,200
Torque (max w/std accessories)	177 lb-ft at (rpm) 1,200

ADDITIONAL DATA

Live Axles, type	hypoid, full-floating
Transmission, type	synchronesh

TRUCK, COMMAND RECONNAISSANCE, 3/4-TON, 4 x 4

(Dodge, Model WC56, T214)



NOTE: ALL DIMENSIONS SHOWN ARE IN INCHES

RA PD 137862

Technical Manuals: 9-808; 9-1808A; 9-1808B; Supply Catalog: SNL G-502.

Classification: Limited Standard.

Purpose: To transport command and reconnaissance personnel in the field.

GENERAL DATA

Crew	2; Passengers (including crew) 5
Weight (lb)	Net 5,375; Payload 1,800; Gross 7,175
Live-axle gear ratio	5.83:1
Axle load (lb):	
Empty	front 2,635; rear 2,740
Loaded	front 2,710; rear 4,465
Tires:	
Ply 8	Size 9.00 x 16; Pressure (psi) 40
Tread, center-to-center, front	(in.) 64 3/4
Shipping dimensions, uncrated	(cu ft) 616; (sq ft) 91
Vehicle dimensions:	
Ground clearance	(in.) 10 3/4
Pintle height:	
Loaded	(in.) 25
Empty	(in.) 27
Electrical system	(volts) 12
No. of batteries	1
Type of ground	negative
Fuel octane rating	72
Capacities:	
Fuel	(gal) 30
Cooling system	(qt) 17
Crankcase, refill	(qt) 5
Transfer	(qt) 2
Transmission	(qt) 3
Axles (each)	(qt) 2 1/2
Brakes:	
Manufacturer: Dodge	Type; hydraulic
Parking brake, type	transmission
Transmission:	
Forward speeds	4
Gear ratio	High 1:1; Low 6.40:1
Transfer:	
Speeds	1
Gear ratio	1:1

PERFORMANCE

Computed grade ability in lowest gear, loaded	(percent) 56
Turning radius	(ft) 22
Fording depth	(in.) 34
Fuel consumption, loaded	(mpg) 8
Cruising range, loaded	(mi) 240
Allowable speed, governed	(mph) 54
Maximum recommended towed load:	
Off highway, gross	(lb) 1,000
On highway, gross	(lb) 4,000

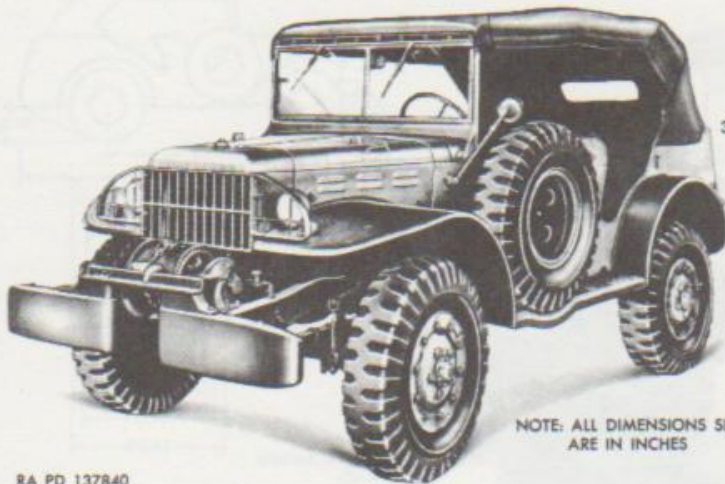
ENGINE

Manufacturer: Dodge	Model T214
Type	L-head, 4-cycle; No. of cylinders (in line) 6
Displacement	(cu in.) 230.2
Bore	(in.) 3 1/4
Stroke	(in.) 4 5/8
Compression ratio	6.7:1
Governed speed	(rpm) 3,200
Brake horsepower (max w/std accessories)	76 at (rpm) 3,200
Torque (max)	180 lb-ft at (rpm) 1,200

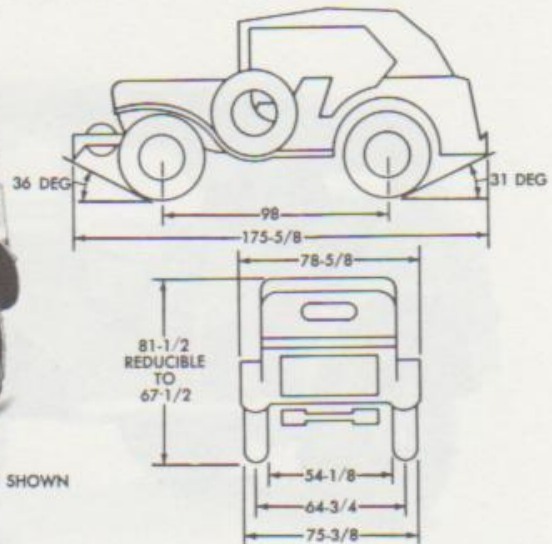
ADDITIONAL DATA

Live axles, type	hypoid, full-floating
Transmission, type	selective sliding-gear

TRUCK, COMMAND RECONNAISSANCE, 3/4-TON, 4 x 4, W/WINCH (Dodge, Model WC57, T214)



RA PD 137840



NOTE: ALL DIMENSIONS SHOWN
ARE IN INCHES

Technical Manuals: 9-808; 9-1808A; 9-1808B; Supply Catalog: SNL G-502.

Classification: Limited Standard.

Purpose: To transport command and reconnaissance personnel in the field.

GENERAL DATA

Crew	2; Passengers (including crew) 5
Weight (lb)	Net 5,675; Payload 1,800; Gross 7,475
Live-axle gear ratio	5.83:1
Axle load (lb):	
Empty	front 2,995; rear 2,080
Loaded	front 3,075; rear 4,400
Tires:	
Ply 8	Size 9.00 x 16; Pressure (psi) 40
Tread, center-to-center, front	(in.) 64 3/4
Shipping dimensions, uncrated	(cu ft) 651; (sq ft) 96
Vehicle dimensions:	
Ground clearance	(in.) 10 3/4
Pintle height:	
Loaded	(in.) 24
Empty	(in.) 27
Electrical system	(volts) 12
No. of batteries	1
Type of ground	negative
Fuel octane rating	72
Capacities:	
Fuel	(gal) 30
Cooling system	(qt) 17
Crankcase, refill	(qt) 5
Transfer	(qt) 2
Transmission w/power take-off	(qt) 3 3/4
Axles (each)	(qt) 2 1/2
Winch:	
Oil capacity	(qt) 1
Load capacity	(lb) 5,000
Brakes:	
Manufacturer; Dodge	Type; hydraulic
Parking brake, type	transmission
Transmission:	
Forward speeds	4
Gear ratio	High 1:1; Low 6.40:1
Transfer:	
Speeds	1
Gear ratio	1:1

PERFORMANCE

Computed grade ability in lowest gear, loaded	(percent) 54
Turning radius	(ft) 22
Fording depth	(in.) 34
Fuel consumption, loaded	(mpg) 8
Cruising range, loaded	(mi) 240
Allowable speed, governed	(mph) 54
Maximum recommended towed load:	
Off highway, gross	(lb) 1,000
On highway, gross	(lb) 4,000

ENGINE

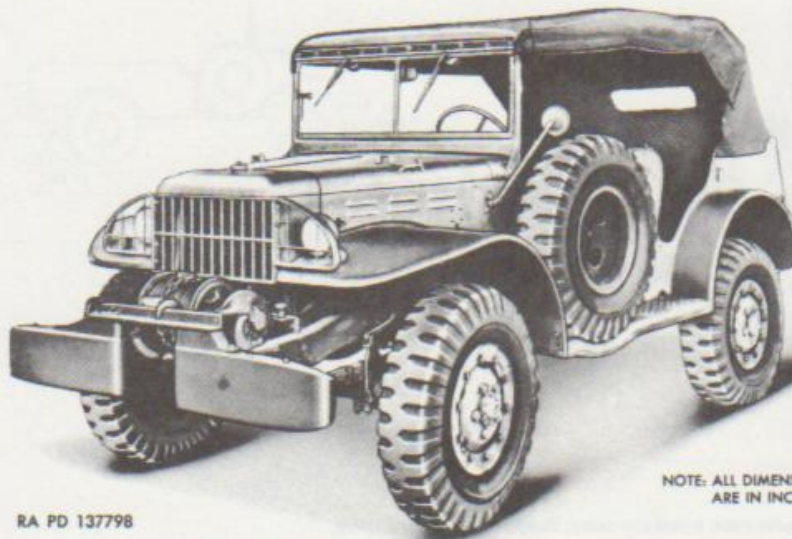
Manufacturer; Dodge	Model T-214
Type	L-head, 4-cycle; No. of cylinders (in line) 6
Displacement	(cu in.) 230.2
Bore	(in.) 3 1/4
Stroke	(in.) 4 3/4
Compression ratio	6.7:1
Governed speed	(rpm) 3,200
Brake horsepower (max w/std accessories)	76 at (rpm) 3,200
Torque (max)	180 lb-ft at (rpm) 1,200

ADDITIONAL DATA

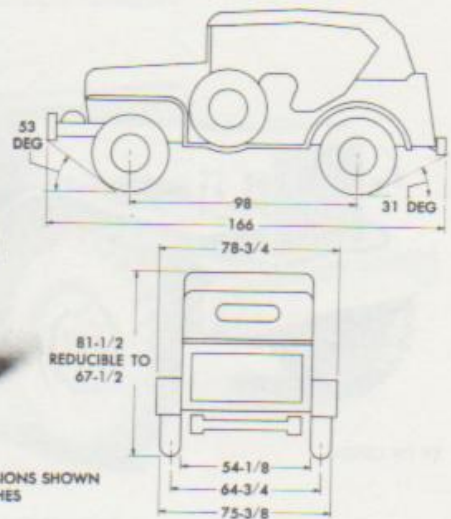
Live axles, type	hypoid, full-floating
Transmission, type	selective sliding-gear

TRUCK, COMMAND RECONNAISSANCE, 3/4-TON, 4 x 4, W/RADIO

(Dodge, Model WC58, T214)



RA PD 137798



NOTE: ALL DIMENSIONS SHOWN ARE IN INCHES

Technical Manuals: 9-808, 9-1808A, 9-1808B; Supply Catalog: SNL G-502.

Classification: Limited Standard.

Purpose: To transport command and reconnaissance personnel.

GENERAL DATA

Crew	2; Passengers (including crew)	5
Weight (lb)	Net	5,375; Payload 1,800; Gross 7,175
Live-axle gear ratio		5.83:1
Axle load (lb):		
Empty	front, 2,635; rear	2,740
Loaded	front	2,710; rear 4,465
Tires:		
Ply	8	Size 9.00 x 16; Pressure (psi) 40
Tread, center-to-center, front		(in.) 64 3/4
Shipping dimensions, uncrated		(cu ft) 616; (sq ft) 91
Vehicle dimensions:		
Ground clearance		(in.) 10 3/4
Pintle height, empty		(in.) 27
Electrical system		(volts) 12
No. of batteries		1
Type of ground		negative
Fuel octane rating		72
Capacities:		
Fuel		(gal) 30
Cooling system		(qt) 17
Crankcase, refill		(qt) 5
Transmission		(qt) 3
Transfer		(qt) 2
Axles (each)		(qt) 2 1/2
Brakes:		
Manufacturer; Dodge		Type; hydraulic
Parking brake, type		transmission
Transmission:		
Forward speeds		4
Gear ratio		High 1:1; Low 6.4:1
Transfer:		
Speeds		1
Gear ratio		1:1

PERFORMANCE

Computed grade ability in lowest gear, loaded	(percent)	56
Turning radius	(ft)	22
Fording depth	(in.)	34
Fuel consumption, loaded	(mpg)	8
Cruising range, loaded	(mi)	240
Allowable speed, governed	(mph)	54
Maximum recommended to w/e/d load:		
Off highway, gross	(lb)	1,000
On highway, gross	(lb)	4,000

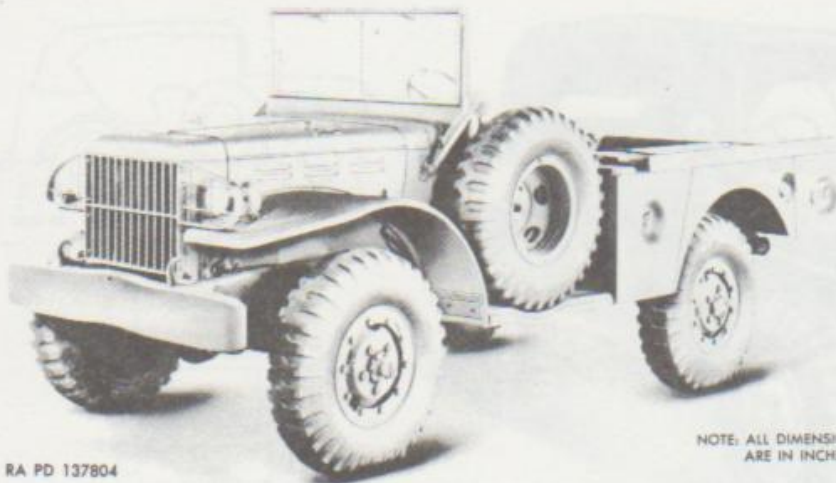
ENGINE

Manufacturer; Dodge		Model T-214
Type		L-head, 4-cycle; No. of cylinders (in line) 6
Displacement	(cu in.)	230.2
Bore	(in.)	3 1/4
Stroke	(in.)	4 3/4
Compression ratio		6.7:1
Governed speed	(rpm)	3,200
Brake horsepower (max w/std accessories)		76 at (rpm) 3,200
Torque (max)		180 lb-ft at (rpm) 1,200

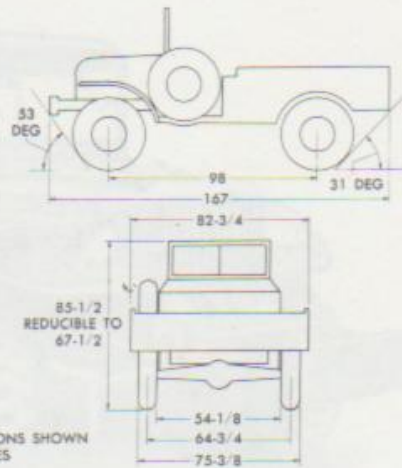
ADDITIONAL DATA

Live axles, type		hypoid, full-floating
Transmission, type		selective sliding gear

TRUCK, WEAPONS CARRIER, 3/4-TON, 4 x 4 (6-VOLT) AND (12-VOLT) (Dodge, Model WC51, T214)



RA PD 137804



NOTE: ALL DIMENSIONS SHOWN ARE IN INCHES

Technical Manuals: 9-808; 9-1808A; 9-1808B; Supply Catalog: SNL G-502.

Classification: Limited Standard.

Purpose: To transport weapons, tools, equipment, and personnel.

GENERAL DATA

Crew	2; Passengers (including crew) 10
Weight (lb)	Net 5,645; Payload 1,500; Gross 7,445
Live-axle gear ratio	5.83:1
Axle load (lb):	
Empty.....	front 2,785; rear 2,860
Loaded.....	front 2,825; rear 4,620
Tires:	
Ply 8.....	Size 9.00 x 16; Pressure (psi) 40
Tread, center-to-center, front.....	(in.) 64 3/4
Shipping dimensions, uncrated	(cu ft) 684; (sq ft) 96
Vehicle dimensions:	
Loading height, empty.....	(in.) 33 3/4
Ground clearance.....	(in.) 10 3/4
Pintle height (in.).....	loaded 24; empty 26
Body inside dimensions (in.):	
Length 72.....	Width 48 1/4; Height, under bows 49 1/4
Cargo space.....	(cu ft) 100
Electrical system	(volts) 6 or 12
No. of batteries.....	1
Type of ground.....	negative
Fuel octane rating	72
Capacities:	
Fuel.....	(gal) 30
Cooling system.....	(qt) 17
Crankcase, refill.....	(qt) 5
Transfer.....	(qt) 2
Transmission.....	(qt) 3
Axles (each).....	(qt) 2 1/2
Brakes:	
Manufacturer; Dodge.....	Type; hydraulic
Parking brake, type.....	transmission
Transmission:	
Forward speeds.....	4
Gear ratio.....	High 1:1; Low 6.40:1
Transfer speeds	1
Gear ratio.....	1:1

PERFORMANCE

Computed grade ability in lowest gear, loaded	(percent) 56
Turning radius	(ft) 22
Fording depth	(in.) 34
Fuel consumption, loaded	(mpg) 8
Cruising range, loaded	(mi) 240
Allowable speed, governed	(mph) 54
Maximum recommended towed load:	
Off highway, gross.....	(lb) 1,000
On highway, gross.....	(lb) 4,000

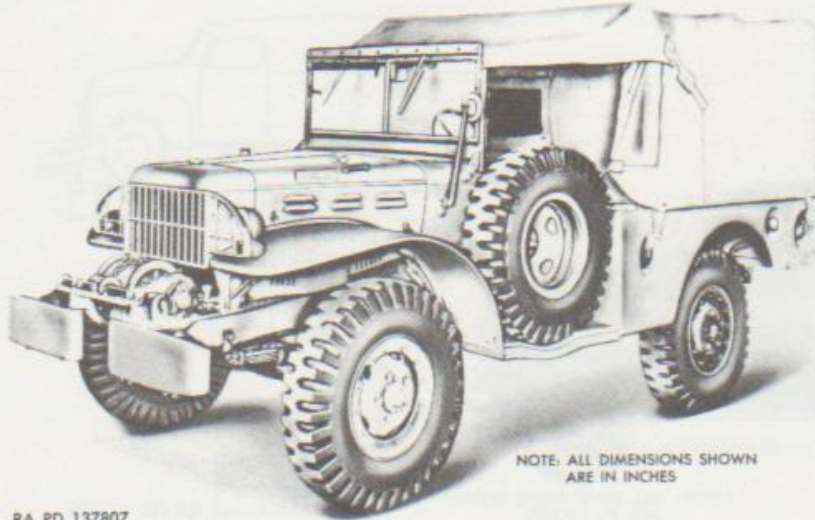
ENGINE

Manufacturer: Dodge.....	Model T214
Type	L-head, 4-cycle; No. of cylinders (in line) 6
Displacement	(cu in.) 230.2
Bore	(in.) 3 1/4
Stroke	(in.) 4 1/4
Compression ratio	6.7:1
Governed speed	(rpm) 3,200
Brake horsepower (max w/ std accessories)	76 at (rpm) 3,200
Torque (max)	180 lb-ft at (rpm) 1,200

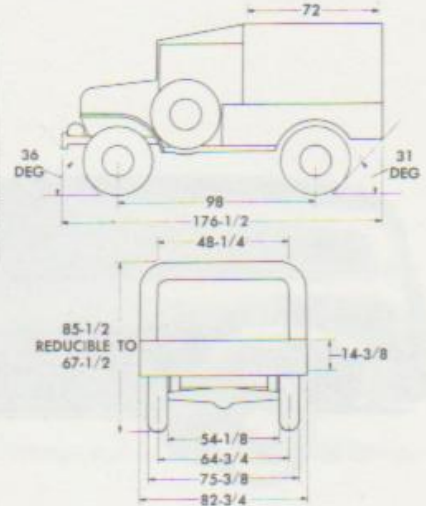
ADDITIONAL DATA

Live axles, type	hypoid, full-floating
Transmission, type	selective sliding-gear

TRUCK, WEAPONS CARRIER, 3/4-TON, 4 x 4, (6-VOLT) AND (12-VOLT) W/WINCH



NOTE: ALL DIMENSIONS SHOWN
ARE IN INCHES



RA PD 137807

Technical Manuals: 9-808; 9-1808A; 9-1808B; Supply Catalog: SNL G-502.

Classification: Limited Standard.

Purpose: To transport weapons, tools, equipment, and personnel.

GENERAL DATA

Crew	2; Passengers (including crew) 10
Weight (lb)	Net 5,940; Payload 1,800; Gross 7,740
Live-axle gear ratio	5.83:1
Axle load (lb):	
Empty	front 3,145; rear 2,795
Loaded	front 3,185; rear 4,555
Tires:	
Ply 8	Size 9.00 x 16; Pressure (psi) 40
Tread, center-to-center, front	(in.) 64 3/4
Shipping dimensions, uncrated	(cu ft) 723; (sq ft) 102
Vehicle dimensions:	
Ground clearance	(in.) 10 3/4
Loading height, empty	(in.) 34
Pintle height (in.)	loaded 24; empty 26
Body inside dimensions (in.)	
Length 72	Width 48 1/4; Height, under bows 49 1/4
Body cargo space	(cu ft) 1,000
Electrical system	(volts) 6 or 12
No. of batteries	1
Type of ground	negative
Fuel octane rating	72
Capacities:	
Fuel	(gal) 30
Cooling system	(qt) 17
Crankcase, refill	(qt) 5
Transfer	(qt) 2
Transmission w/power take-off	(qt) 3 1/2
Winch	Oil capacity (qt) 1; Load capacity (lb) 5,000*
Brakes:	
Manufacturer: Dodge	Type: hydraulic
Parking brake, type	transmission
Transmission:	
Forward speeds	4
Gear ratio	High 1:1; Low 6.40:1
Transfer:	
Speeds	1
Gear ratio	1:1

*Last production equipped w/7,500-lb cap winch.

PERFORMANCE

Computed grade ability in lowest gear, loaded	(percent) 54
Turning radius (ft)	Right 22; Left 22
Fording depth	(in.) 34
Fuel consumption, loaded	(mpg) 8
Cruising range, loaded	(mi) 240
Allowable speed, governed	(mph) 54
Maximum recommended towed load:	
Off highway, gross	(lb) 1,000
On highway, gross	(lb) 4,000

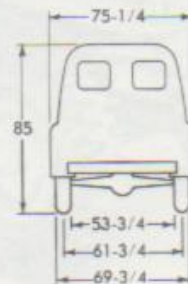
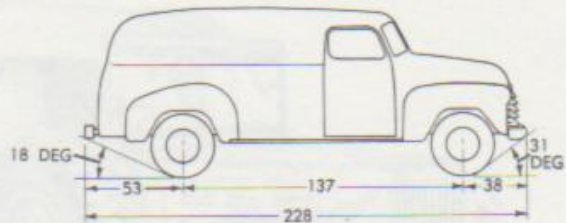
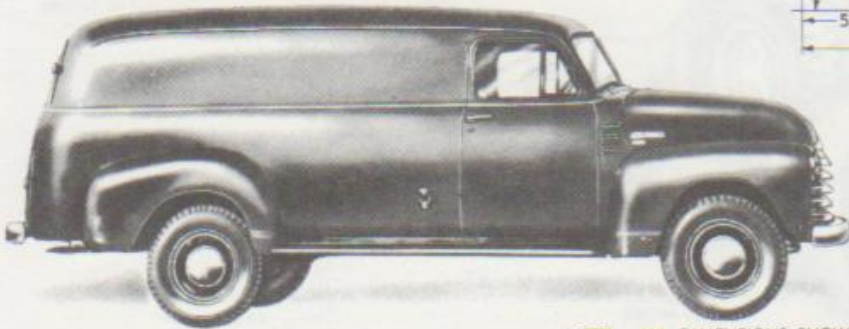
ENGINE

Manufacturer: Dodge	Model T214
Type	L-head, 4-cycle; No. of cylinders (in line) 6
Displacement	(cu in.) 230.2
Bore	(in.) 3 1/4
Stroke	(in.) 4 3/4
Compression ratio	6.7:1
Maximum governed speed	(rpm) 3,200
Brake horsepower (max w/std accessories)	76 at (rpm) 3,200
Torque (max)	180 lb-ft at (rpm) 1,200

ADDITIONAL DATA

Live axles, type	hypoid, full-floating
Transmission	selective sliding-gear

TRUCK, PANEL, 1-TON, 4 x 2 (Chevrolet, Model 3805)



NOTE: ALL DIMENSIONS SHOWN ARE IN INCHES

RA PD 172719

Classification: Nonclassified.

Purpose: To transport light cargo.

GENERAL DATA

Crew	2
Weight (lb)	Net 4,505; Payload 2,495; Gross 7,000
Rear-axle gear ratio	5.14:1
Axle load (lb):	
Empty.....	front 2,155; rear 2,350
Loaded.....	front 2,440; rear 4,560
Tires:	
Ply 8.....	Size 7.50 x 17; Pressure—(psi) front 40; rear 60
Tread, center-to-center, front.....	(in.) 56 1/4
Shipping dimensions, uncrated	(cu ft) 845; (sq ft) 119
Vehicle dimensions:	
Ground clearance.....	(in.) 9 3/4
Loading height, empty.....	(in.) 34
Body inside dimensions (in.):	
Length.....	108 3/4; Width 62 3/4; Height 51 1/4
Cargo space.....	(cu ft) 203
Electrical system	(volts) 6
No. of batteries.....	1
Type of ground.....	negative
Fuel octane rating	72
Capacities:	
Fuel.....	(gal) 18
Cooling system.....	(qt) 15
Crankcase, refill.....	(qt) 5
Transmission.....	(qt) 3
Rear axle.....	(qt) 3
Brakes:	
Manufacturer; Chevrolet.....	Type; hydraulic
Parking brake, type.....	rear-wheel
Transmission:	
Forward speeds.....	4
Gear ratio.....	High 1:1; Low 7.06:1

PERFORMANCE

Computed grade ability in lowest gear, loaded	(percent) 57
Turning radius	(ft) 26
Fording depth	(in.) 21
Fuel consumption, loaded	(mpg) 19
Cruising range, loaded	(mi) 180
Allowable speed, recommended	(mph) 55

ENGINE

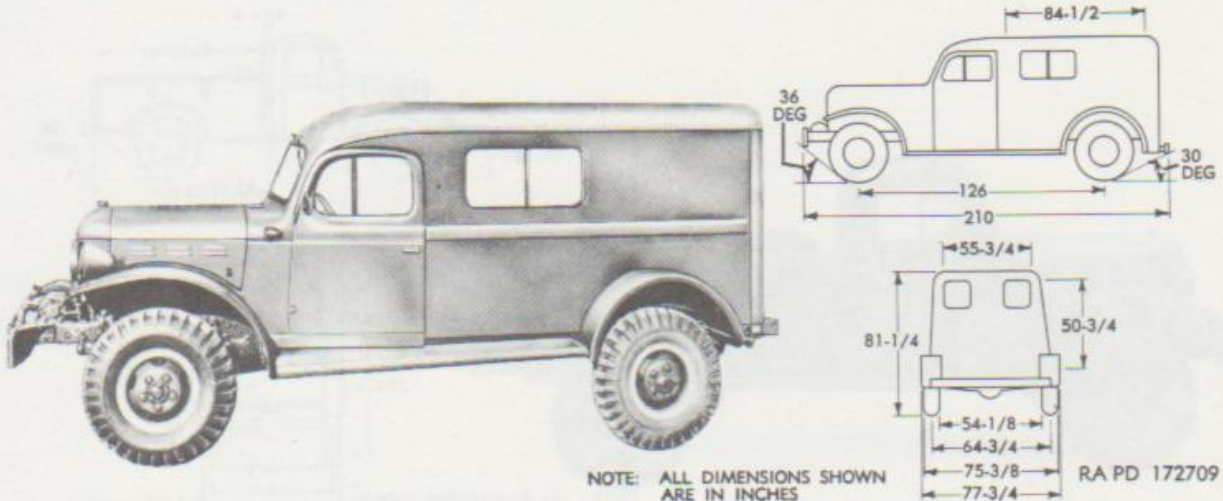
Manufacturer: Chevrolet.....	Model AJC
Type	4-cycle, valve-in-head; No. of cylinders (in line) 6
Displacement	(cu in.) 216.5
Bore	(in.) 3 1/4
Stroke	(in.) 3 3/4
Compression ratio	6.6:1
Governed speed	not governed
Brake horsepower, gross	92 at (rpm) 3,400
Torque, maximum gross	178 lb-ft at (rpm) 1,000-2,000

ADDITIONAL DATA

Rear axle, type	hypoid, full-floating
Transmission	synchromesh

TRUCK, CARRYALL, 1-TON, 4 x 4

Dodge, Model B1PW26 w/Gerstenslager body



Classification: Nonclassified.

Purpose: To transport personnel and light cargo.

GENERAL DATA

Crew	2 Passengers (including crew) 8
Weight (lb)	Net 5,500; Payload 1,775; Gross 7,275
Live-axle gear ratio	5.83:1
Axle load (lb):	
Empty.....	front 3,225; rear 2,275
Loaded.....	front 3,375; rear 3,900
Tires:	
Ply 8.....	Size 9.00 x 16; Pressure (psi) 45
Tread, center-to-center, front.....	(in.) 64 3/4
Shipping dimensions, uncrated	(cu ft) 798; (sq ft) 114
Vehicle dimensions:	
Ground clearance.....	(in.) 10 3/4
Pintle height, empty.....	(in.) 27
Loading height, empty.....	(in.) 35
Body inside dimensions (in.):	
Length 84 1/2.....	Width 55 3/4; Height 50 3/4
Body cargo space.....	(cu ft) 138
Electrical system	(volts) 6
No. of batteries.....	1
Type of ground.....	positive
Fuel octane rating	72
Capacities:	
Fuel.....	(gal) 30
Cooling system.....	(qt) 17
Crankcase, refill.....	(qt) 5
Transmission.....	(qt) 3
Transfer.....	(qt) 1 1/2
Axles (each).....	(qt) 3
Brakes:	
Manufacturer; Dodge.....	Type; hydraulic
Parking brake, type.....	transmission
Transmission:	
Forward speeds.....	4
Gear ratio.....	High 1:1; Low 6.40:1
Transfer:	
Speeds.....	2
Gear ratio.....	High 1:1; Low 1.96:1

PERFORMANCE

Computed grade ability in lowest gear, loaded	(percent) 65
Turning radius	(ft) 27 1/2
Fording depth	(in.) 34
Fuel consumption, loaded	(mpg) 9
Cruising range, loaded	(mi) 240
Allowable speed (governed)	(mph) 54
Maximum recommended towed load:	
Off highway, gross.....	(lb) 1,000
On highway, gross.....	(lb) 4,000

ENGINE

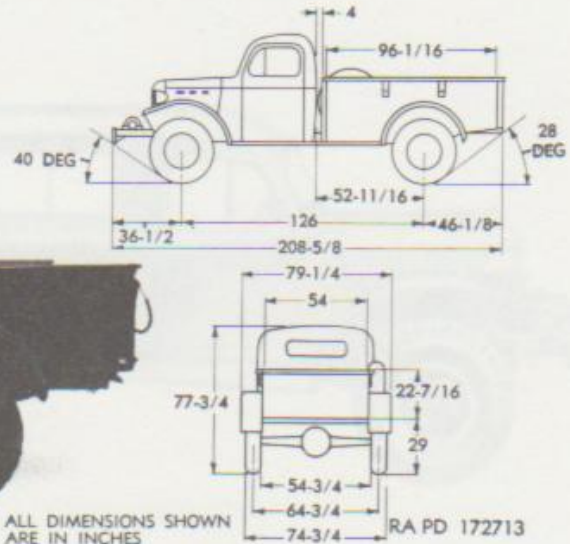
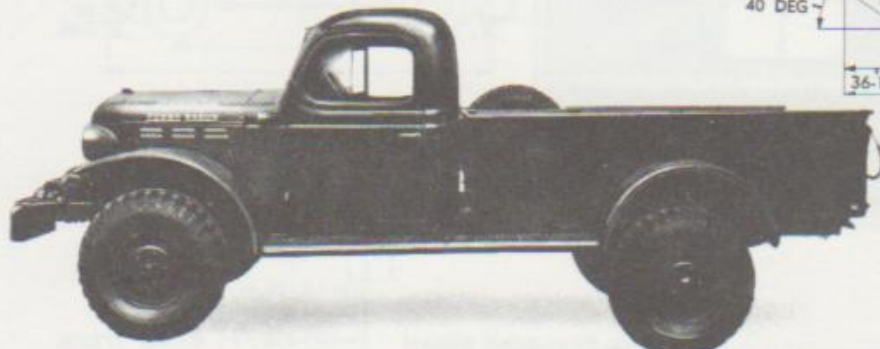
Manufacturer: Dodge.....	Model T-137
Type	L-head, 4-cycle; No. of cylinders (in line) 6
Displacement	(cu in.) 230.2
Bore	(in.) 3 1/4
Stroke	(in.) 4 1/4
Compression ratio	6.7:1
Governed speed	(rpm) 3,200
Brake horsepower (max w/std accessories)	76 at (rpm) 3,200
Torque (max)	180 lb-ft at (rpm) 1,300

ADDITIONAL DATA

Live axles, type	hypoid, full-floating
Transmission, type	selective sliding-gear

TRUCK, PICKUP, 1-TON, 4 x 4, W/WINCH

(Dodge, Model B2PW126, 1950)



Classification: Nonclassified.

GENERAL DATA

Crew	2
Weight (lb) Net	5,295
Payload	off highway 2,000; on highway 3,405
Gross	off highway 7,295; on highway 8,700
Live-axle gear ratio	5.83:1
Axle load (lb):	
Empty	front 3,155; rear 2,150
Loaded:	
Off highway	front 3,215; rear 4,080
On highway	front 3,255; rear 5,445
Tires:	
Ply 8	Size 9.00 x 16; Pressure (psi) 55
Tread, center-to-center, front	(in.) 64 3/4
Shipping dimensions, uncrated	(cu ft) 745; (sq ft) 115
Vehicle dimensions:	
Ground clearance	(in.) 10 3/4
Loading height, empty	(in.) 29
Body inside dimensions (in.): Length 96 1/16; Width 54; Height 22 7/16	
Cargo space	(cu ft) 68
Electrical system	(volts) 6
No. of batteries	1
Type of ground	positive
Fuel octane rating	72
Capacities:	
Fuel	(gal) 18
Cooling system	(qt) 17
Crankcase, refill	(qt) 5
Transmission w/PTO	(qt) 3
Transfer	(qt) 1 1/2
Axles (each)	(qt) 3
Winch:	
Oil capacity	(qt) 1
Load capacity	(lb) 5,000
Brakes:	
Manufacturer; Dodge	Type; hydraulic
Parking brake, type	transfer
Transmission:	
Forward speeds	4
Gear ratio	High 1:1; Low 6.4:1
Transfer:	
Speeds	2
Gear ratio	High 1:1; Low 1.96:1

Purpose: To transport light cargo.

PERFORMANCE

Computed grade ability in lowest gear w/off-highway load	(percent) 65
Turning radius	(ft) 27 1/4
Fording depth	(in.) 28
Fuel consumption, loaded	(mpg) 8
Cruising range, loaded	(mi) 144
Allowable speed, governed	(mph) 55

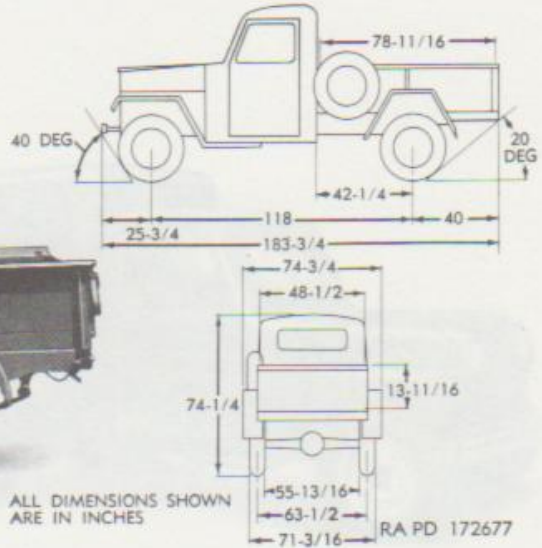
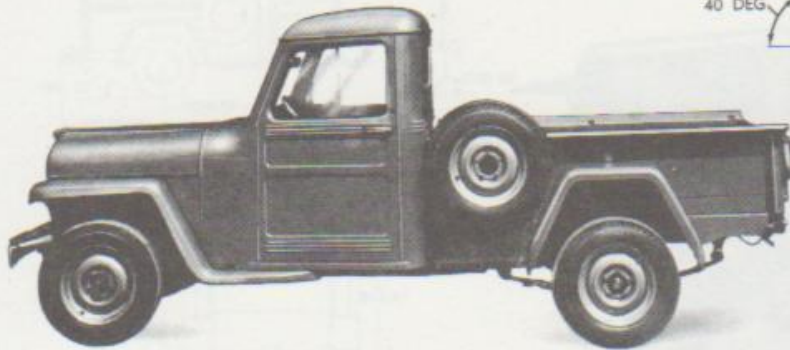
ENGINE

Manufacturer; Dodge	Model T-137
Type	4-cycle, L-head; No. of cylinders (in line) 6
Displacement	(cu in.) 230.2
Bore	(in.) 3 1/4
Stroke	(in.) 4 9/16
Compression ratio	6.7:1
Governed speed	(rpm) 3,200
Brake horsepower (max w/std accessories)	94 at (rpm) 3,200
Torque (max w/std accessories)	186 lb-ft at (rpm) 1,200

ADDITIONAL DATA

Live axles, type	hypoid, full-floating
Transmission, type	synchromesh

TRUCK, PICKUP, 1-TON, 4 x 4 (Willys, Model 4-73-4WD, 1950)



Classification: Nonclassified.

GENERAL DATA

Crew	2; Passengers (including crew) 3
Weight (lb)	Net 3,240; Payload (on highway) 2,000; Gross 5,300
Axle gear ratio	5.38:1
Axle load (lb):	
Empty.....	front 1,655; rear 1,585
Loaded.....	front 1,700; rear 3,750
Tires:	
Ply 6.....	Size 7.00 x 16; Pressure (psi) front 30; rear 45
Tread, center-to-center, front.....	(in.) 57
Shipping dimensions, uncrated	(cu ft) 591; (sq ft) 96
Vehicle dimensions:	
Ground clearance.....	(in.) 9 3/4
Loading height, empty.....	(in.) 28 1/4
Pintle height, empty.....	(in.) 23 1/4
Body inside dimensions (in.):	
Length.....	78 1/4
Width.....	48 1/2
Height:	
Under bows.....	44 1/2
Side panel.....	13 3/4
Cargo space.....	(cu ft) 98
Electrical system	(volts) 6
No. of batteries.....	1
Type of ground.....	negative
Fuel octane rating	70
Capacities:	
Fuel.....	(gal) 15
Cooling system (qt).....	w/o heater 11; w/heater 12
Transmission.....	(qt) 13 1/4
Transfer.....	(qt) 13 1/4
Axles (qt).....	front 1 1/4; rear 1 1/4
Winch.....	Oil capacity (qt) 1/2; Load capacity (lb) 6,000
Brakes:	
Manufacturer; Bendix.....	Type; hydraulic
Parking brake, type.....	rear-wheel
Transmission:	
Forward speeds.....	3
Gear ratio.....	High 1:1; Low 2.80:1
Transfer:	
Speeds.....	2
Gear ratio.....	High 1:1; Low 2.43:1

Purpose: To transport light cargo.

PERFORMANCE

Computed grade ability in lowest gear, loaded	(percent) 41
Turning radius	(ft) 25
Fording depth	(in.) 18
Fuel consumption, loaded	(mpg) 17
Cruising range, loaded	(mi) 255
Allowable speed, governed	(mph) 60

ENGINE

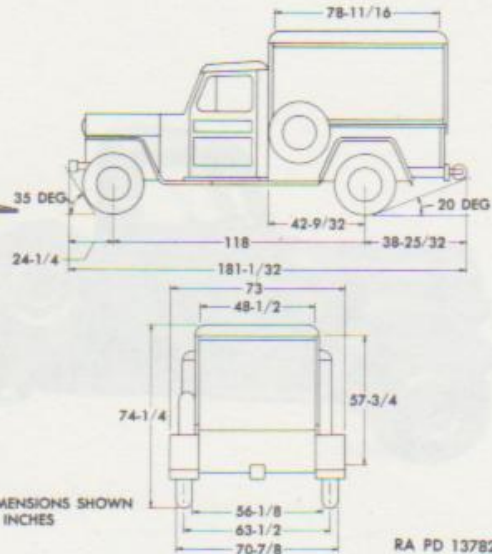
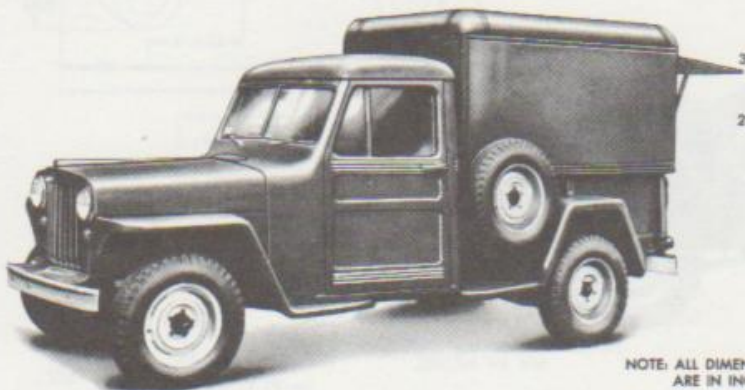
Manufacturer: Willys.....	Model 473-4WD
Type	F-head, 4-cycle; No. of cylinders (in line) 4
Displacement	(cu in.) 134.2
Bore	(in.) 3 1/4
Stroke	(in.) 4 1/4
Compression ratio	7.4:1
Governed speed	(rpm) 3,700
Brake horsepower (max w/std accessories)	64 at (rpm) 4,000
Torque (max)	114 lb-ft at (rpm) 2,000

ADDITIONAL DATA

Live axles, type	hypoid, full-floating
Transmission, type	synchromesh

TRUCK, VAN, 1-TON, 4 x 4

(Willys, Model 4WD)



Classification: Nonclassified.

Purpose: To transport general cargo.

GENERAL DATA

Crew	2; Passengers (including crew) 3
Weight (lb)	Net 3,286; Payload (on highway) 2,014; Gross 5,300
Axle gear ratio	5.38:1
Axle load (lb):	
Empty.....	front 1,649; rear 1,637
Loaded.....	front 1,806; rear 3,494
Tires:	
Ply 6.....	Size 7.00 x 16; Pressure (psi) front 30; rear 45
Tread, center-to-center, front.....	(in.) 57
Shipping dimensions, uncrated	(cu ft) 570; (sq ft) 92
Vehicle dimensions:	
Ground clearance.....	(in.) 9 3/4
Loading height, empty.....	(in.) 28 3/4
Pintle height, empty.....	(in.) 23 1/2
Body inside dimensions (in.):	
Length.....	78 3/4; Width 48 1/4; Height 57
Cargo space.....	(cu ft) 126
Electrical system	(volts) 6
No. of batteries.....	1
Type of ground.....	negative
Fuel octane rating68
Capacities:	
Fuel.....	(gal) 15
Cooling system (qt).....	w/o heater 11; w/heater 12
Crankcase, refill.....	(qt) 4
Transmission.....	(qt) 1 1/2
Transfer.....	(qt) 2
Axles (qt).....	front 1 1/4; rear 1 1/4
Brakes:	
Manufacturer; Bendix.....	Type; hydraulic
Parking brake, type.....	rear-wheel
Transmission:	
Forward speeds.....	3
Gear ratio.....	High 1:1; Low 2.798:1
Transfer:	
Speeds.....	2
Gear ratio.....	High 1:1; Low 2.43:1

PERFORMANCE

Computed grade ability in lowest gear, loaded	(percent) 48
Turning radius	(ft) 25
Fuel consumption, loaded	(mpg) 16
Cruising range, loaded	(mi) 240
Allowable speed, governed	(mph) 55
Maximum recommended towed load on highway, gross	(lb) 1,500

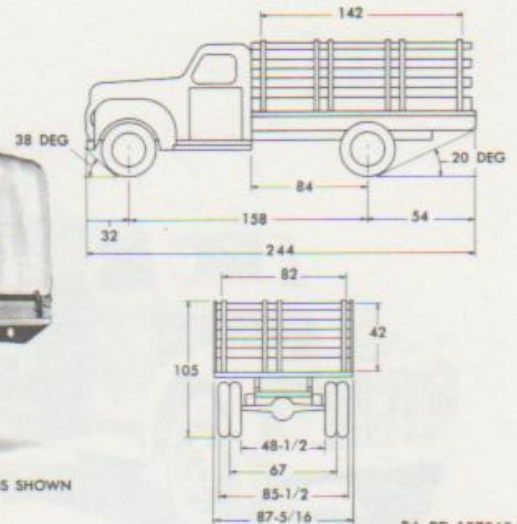
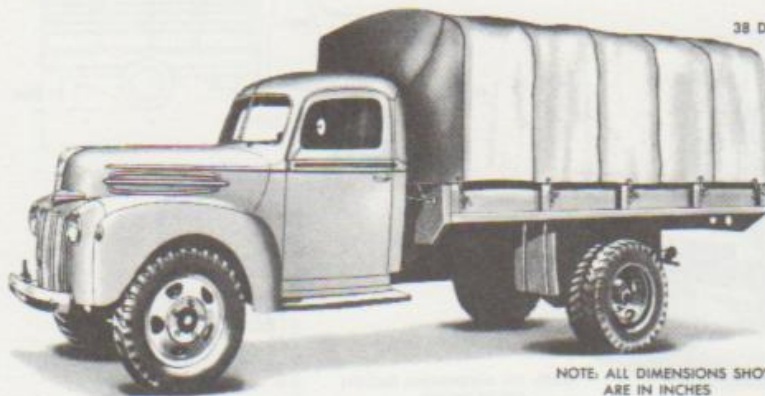
ENGINE

Manufacturer: Willys.....	Model 4 WD
Type	L-head, 4-cycle; No. of cylinders (in line) 4
Displacement	(cu in.) 134.2
Bore	(in.) 3 1/4
Stroke	(in.) 4 1/4
Compression ratio	6.48:1
Governed speed	(rpm) 3,700
Brake horsepower (max w/std accessories)51 at (rpm) 4,000
Torque (max)	105 lb-ft at (rpm) 2,000

ADDITIONAL DATA

Live axles, type	hypoid, full-floating
Transmission	synchromesh

TRUCK, CARGO, 1½-TON, 4 x 2 (Ford, Model 2G8T, 6-Cyl, 1942)



NOTE: ALL DIMENSIONS SHOWN
ARE IN INCHES

RA PD 137869

Technical Manuals: 9-806, 9-1806A, 9-1806B; Supply Catalog: SNL G-540.

Classification: Nonclassified.

Purpose: To transport general cargo.

GENERAL DATA

Crew.....	2
Weight (lb).....	Net 5,138
Payload.....	off highway 3,140; on highway 7,362
Gross.....	off highway 8,278; on highway 12,500
Rear-axle gear ratio.....	6.67:1
Axle load (lb):	
Empty.....	front 2,338; rear 2,800
Loaded:	
Off highway.....	front 2,448; rear 5,830
On highway.....	front 2,600; rear 9,900
Tires:	
Ply 8.....	Size 7.50 x 20; Pressure (psi) 55
Tread, center-to-center, front.....	(in.) 56½
Shipping dimensions, uncrated.....	(cu ft) 1,360; (sq ft) 155
Vehicle dimensions:	
Ground clearance.....	(in.) 9¼
Loading height, empty.....	(in.) 43¾
Pintle height, empty.....	(in.) 25½
Body inside dimensions (in):	
Length.....	142
Width.....	82
Height:	
Under bows.....	57
Side rack.....	42
Cargo space.....	(cu ft) 385
Electrical system.....	(volts) 6
No. of batteries.....	1
Type of ground.....	positive
Fuel octane rating.....	72
Capacities:	
Fuel.....	(gal) 49
Cooling system.....	(qt) 17½
Crankcase, refill.....	(qt) 5
Transmission.....	(qt) 2½
Rear axle.....	(qt) 2½
Brakes:	
Manufacturer; Ford.....	Type; hydraulic
Parking brake, type.....	transmission
Transmission:	
Forward speeds.....	4
Gear ratio.....	High 1:1; Low 6.4:1

PERFORMANCE

Computed grade ability in lowest gear, loaded.....	(percent) 38
Turning radius.....	(ft) 29½
Fording depth.....	(in.) 25
Fuel consumption, loaded.....	(mpg) 9
Cruising range, loaded.....	(mi) 441
Allowable speed, governed.....	(mph) 45
Maximum recommended towed load:	
Off highway, gross.....	(lb) 3,000
On highway, gross.....	(lb) 6,000

ENGINE

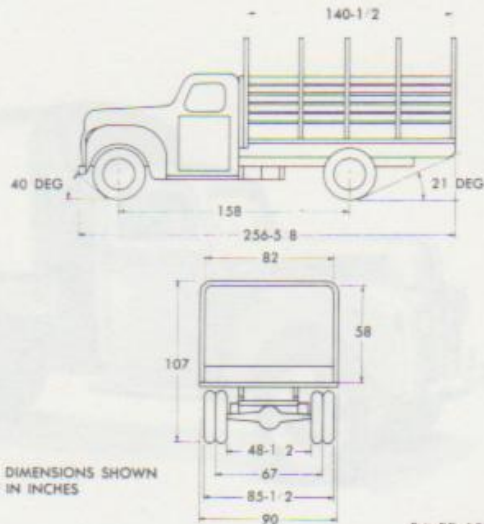
Manufacturer: Ford.....	Model 2GT
Type.....	L-head, 4-cycle; No. of cylinders (in line) 6
Displacement.....	(cu in.) 226
Bore.....	(in.) 3.3
Stroke.....	(in.) 4.4
Compression ratio.....	6.7:1
Governed speed.....	(rpm) 3,400
Brake horsepower (max/std accessories).....	81 at (rpm) 3,300
Torque (max).....	170 lb-ft at (rpm) 1,200

ADDITIONAL DATA

Rear axle, type.....	spiral-bevel, full-floating
Transmission, type.....	selective sliding-gear

TRUCK, CARGO, 1½-TON, 4 x 2

(Ford, Model G8T, 6-Cyl, 1943)



NOTE: ALL DIMENSIONS SHOWN ARE IN INCHES

RA PD 137868

Technical Manuals: 9-806; 9-1806A; 9-1806B; Supply Catalog: SNL G-540.

Classification: Nonclassified.

Purpose: To transport general cargo.

GENERAL DATA

Crew.....	2
Weight (lb): Net.....	6,500
Payload.....	off highway 3,340; on highway * 6,000
Gross.....	off highway 9,840; on highway 12,500
Rear-axle gear ratio.....	6.67:1
Axle load (lb):	
Empty.....	front 2,630; rear 3,870
Loaded:	
Off highway.....	front 2,981; rear 6,859
On highway.....	front 3,260; rear 9,240
Tires:	
Ply 8.....	Size 7.50 x 20; Pressure (psi) 55
Tread, center-to-center, front.....	(in.) 59½
Shipping dimensions, uncrated.....	(cu ft) 1,440; (sq ft) 161
Vehicle dimensions:	
Ground clearance.....	(in.) 10
Loading height, empty.....	(in.) 46
Pintle height, empty.....	(in.) 25¾
Body inside dimensions (in.):	
Length.....	140½
Width.....	82
Height:	
Under bows.....	58
Side rack.....	42
Body cargo space.....	(cu ft) 388
Electrical system.....	(volts) 6
No. of batteries.....	1
Type of ground.....	positive
Fuel octane rating.....	72
Capacities:	
Fuel.....	(gal) 49
Cooling system.....	(qt) 16
Crankcase.....	(qt) 5
Transmission.....	(qt) 2½
Rear axle.....	(qt) 2½

GENERAL DATA

Brakes:	
Manufacturer; Ford.....	Type; hydrovac
Parking brake, type.....	transmission
Transmission:	
Forward speeds.....	4
Gear ratio.....	High 1:1; Low 6.4:1

PERFORMANCE

Computed grade ability in lowest gear, loaded.....	(percent) 38
Turning radius.....	(ft) 31½
Fording depth.....	(in.) 25
Fuel consumption, loaded.....	(mpg) 9
Cruising range, loaded.....	(mi) 441
Allowable speed, governed.....	(mph) 45
Maximum recommended towed load:	
Off highway, gross.....	(lb) 3,000
On highway, gross.....	(lb) 6,000

ENGINE

Manufacturer; Ford.....	Model G8T
Type.....	L-head, 4-cycle; No. of cylinders (in line) 6
Displacement.....	(cu in.) 226
Bore.....	(in.) 3.3
Stroke.....	(in.) 4.4
Compression ratio.....	6.7:1
Governed speed.....	(rpm) 3,400
Brake horsepower (max w/std accessories).....	81 at (rpm) 3,300
Torque (max).....	170 lb-ft at (rpm) 1,200

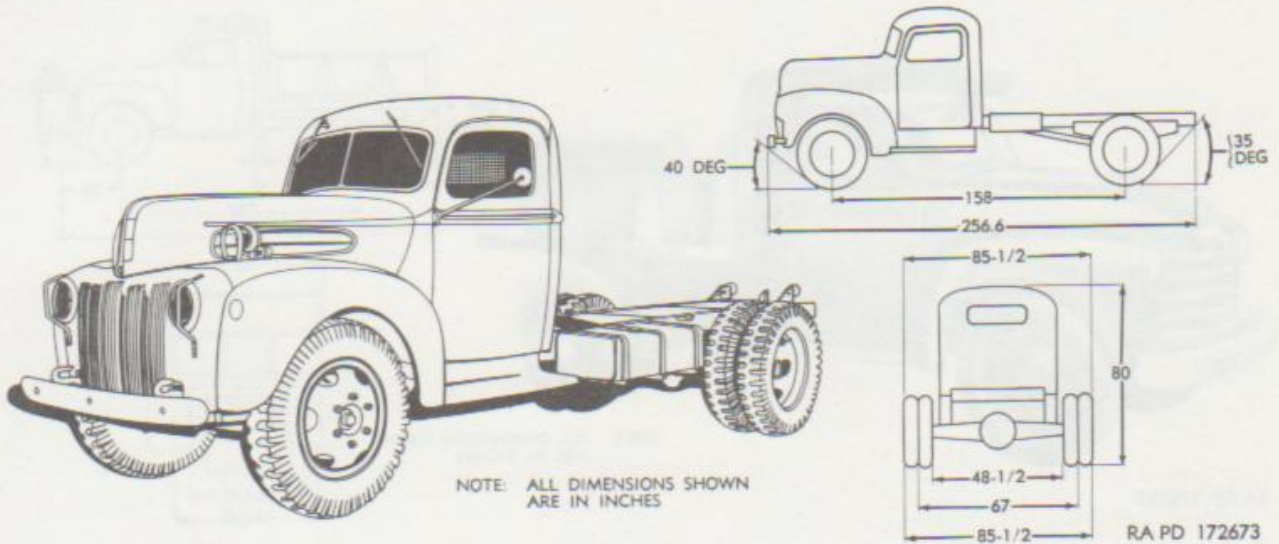
ADDITIONAL DATA

Rear axle, type.....	spiral-bevel, full-floating
Transmission, type.....	selective sliding-gear

* Truck must be equipped with helper springs for 3-ton payload.

TRUCK, CHASSIS, 1 1/2-TON, 4 x 2

(Ford, Model G8T, 6-Cyl 1943, 1945)



Technical Manuals: 9-806, 9-1806A, 9-1806B, 9-1828A, 9-1829A; Supply Catalog: SNL G-540.

Classification: Standard.

Purpose: To be used as component of general-purpose or special-equipment vehicle

GENERAL DATA

Crew	2
Weight (lb) Net	5,025
Rear-Axle gear ratio	6.666:1
Axle load (lb):	
Empty	front 1,950; rear 3,075
Tires:	
Ply 8	Size 7.50 x 20; Pressure (psi) 55
Tread, center-to-center, front	(in.) 57 1/4
Shipping dimensions, uncrated	(cu ft) 1,025; (sq ft) 153
Vehicle dimensions:	
Ground clearance	(in.) 9 3/4
Pintle height, empty	(in.) 25 3/4
Height of frame	(in.) 34
Electrical system	(volts) 6
No. of batteries	1
Type of ground	positive
Fuel octane rating	70
Capacities:	
Fuel	(gal) 49
Cooling system	(qt) 16
Crankcase, refill	(qt) 5
Transmission	(qt) 2 1/2
Rear axle	(qt) 2 1/2
Brakes:	
Manufacturer: Ford	Type: hydraulic
Parking brake, type	transmission
Transmission:	
Forward speeds	4
Gear ratio	High 1:1; Low 6.4:1

PERFORMANCE

Computed grade ability in lowest gear, loaded	(percent) 32
Turning radius	(ft) 32
Fording depth	(in.) 25
Fuel consumption, loaded	(mpg) 9
Cruising range, loaded	(mi) 446
Allowable speed, governed	(mph) 45
Maximum recommended towed load (lb):	
Off highway, gross	(lb) 3,000
On highway, gross	(lb) 6,000

ENGINE

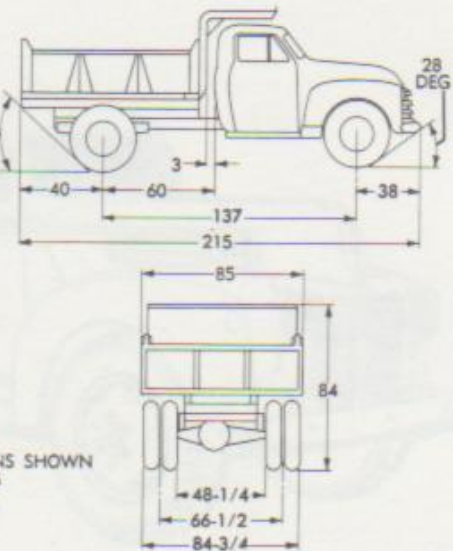
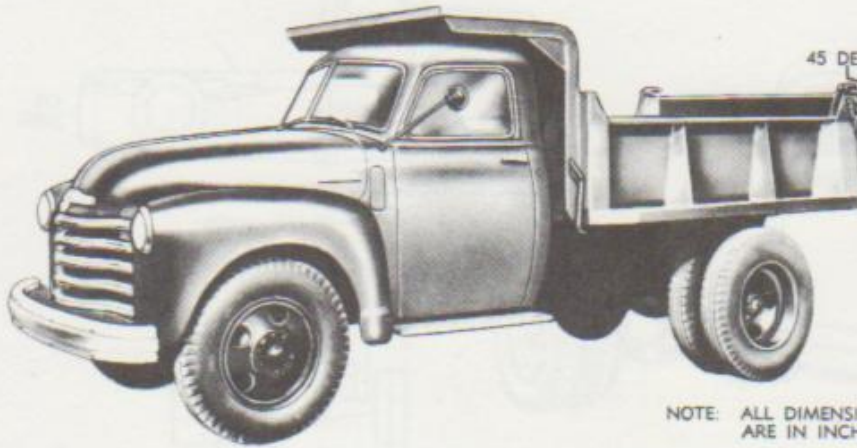
Manufacturer: Ford	Model G8T
Type	L-head, 4-cycle; No. of cylinders (in line) 6
Displacement	(cu in.) 225
Bore	(in.) 3.3
Stroke	(in.) 4.4
Compression ratio	6.7:1
Governed speed	(rpm) 3,400
Brake horsepower (max w/std accessories)	81 at (rpm) 3,300
Torque (max w/std accessories)	170 lb-ft at (rpm) 1,200

ADDITIONAL DATA

Rear Axle, type	spiral-bevel, full-floating
Transmission, type	selective sliding-gear

TRUCK, DUMP, 1½-TON, 4 x 2

(Chevrolet, Model 4103)



NOTE: ALL DIMENSIONS SHOWN ARE IN INCHES

RA PD 172755

Classification: Standard.

Purpose: To transport and dump earth, sand, gravel, etc., and transport general cargo.

GENERAL DATA

Crew	1; No. Passengers (including crew) 3
Weight (lb)	Net 6,415
Payload	off highway 3,000; on highway 6,085
Gross	off highway 9,415; on highway 12,500
Rear-axle gear ratio	6.17:1
Axle load (lb):	
Empty	front 2,755; rear 3,660
Loaded:	
Off highway	front 2,995; rear 6,420
On highway	front 3,325; rear 9,175
Tires:	
Ply 8	Size 7.50 x 20; Pressure (psi) front 40; rear 60
Tread, center-to-center, front	(in.) 59½
Shipping dimensions, uncrated	(cu ft) 888; (sq ft) 127
Vehicle dimensions:	
Ground clearance	(in.) 10
Body inside dimensions (in.):	
Length	96; Width 72; Height 11
Struck capacity	(cu yds) 1½
Electrical system	(volts) 6
No. of batteries	1
Type of ground	negative
Fuel octane rating	72
Capacities:	
Fuel	(gal) 17½
Cooling system (qt)	w/o heater 15; w/heater 16
Crankcase, refill	(qt) 5
Transmission w/P.T.O.	(qt) 3½
Rear axle	(qt) 5½
Brakes:	
Manufacturer; Chevrolet	Type; hydrovac
Parking brake, type	transmission
Transmission:	
Forward speeds	4
Gear ratio	High 1:1; Low 7.06:1

PERFORMANCE

Computed grade ability in lowest gear w/off-highway load	(percent) 37
Turning radius (ft)	Right 24; Left 24¾
Fording depth	(in.) 22
Fuel consumption, loaded	(mpg) 8½
Cruising range, loaded	(mi) 150
Allowable speed, governed	(mph) 54

ENGINE

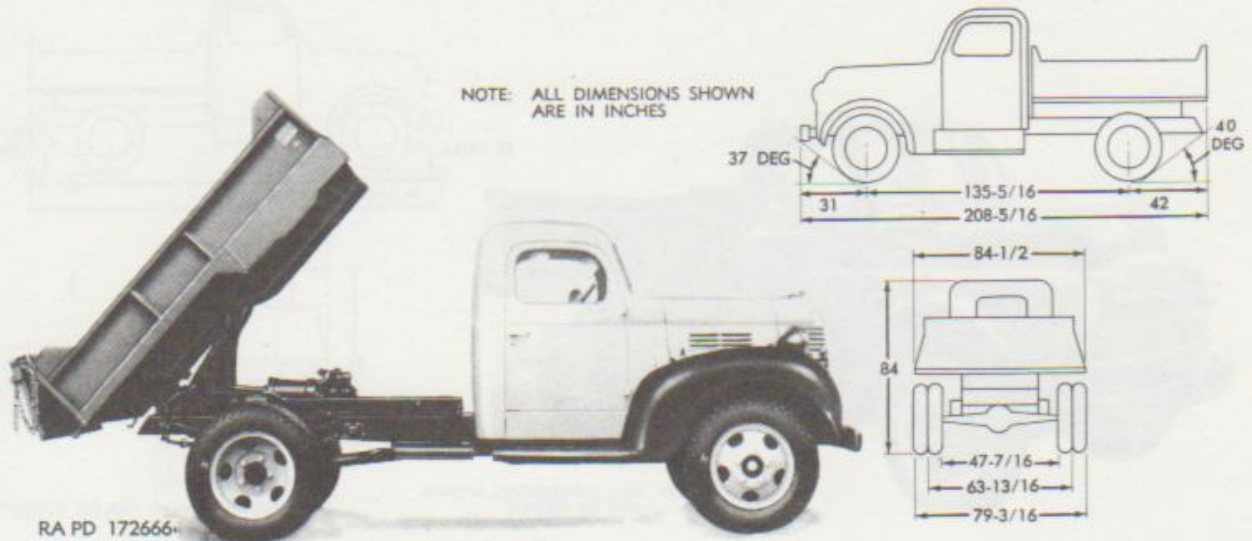
Manufacturer; Chevrolet	Model AJE
Type	4-cycle, valve-in-head; No. of cylinders (in line) 6
Displacement	(cu in.) 235.5
Bore	(in.) 3¾
Stroke	(in.) 3¾
Compression ratio	6.7:1
Governed speed	(rpm) 3,200
Brake horsepower (max w/std accessories)	98 at (rpm) 3,500
Torque (max w/std accessories)	186 lb-ft at (rpm) 2,000

ADDITIONAL DATA

Rear axle, type	hypoid, full-floating
Transmission, type	synchromesh

TRUCK, DUMP, 1½-TON, 4 x 2

(Dodge, Model WF-31, 1947)



RA PD 172666-

Classification: Standard.

Purpose: To transport and dump stone, sand, gravel, etc., and to transport general cargo.

GENERAL DATA

Crew3
Weight (lb)Net 6,155; Payload 7,345; Gross 13,500
Rear-axle gear ratio6.833:1
Axle load (lb):	
Emptyfront 2,530; rear 3,625
Loadedfront 3,020; rear 10,480
Tires:	
Ply 10Size 7.00 x 20; Pressure (psi) 70
Tread, center-to-center, front(in.) 57¾
Shipping dimensions, uncrated(cu ft) 965; (sq ft) 138
Vehicle dimensions:	
Ground clearance(in.) 8¼
Body inside dimensions (in.):	
Length96; Width 72; Height 13½
Struck capacity(cu yd) 2
Electrical system(volts) 6
No. of batteries1
Type of groundpositive
Fuel octane rating70
Capacities:	
Fuel(gal) 18
Cooling system, w/o heater(qt) 30½
Crankcase, refill(qt) 5
Transmission (qt)w/power take-off 3½
Rear-axle(qt) 5½
Brakes:	
Manufacturer: DodgeType: hydraulic
Parking brake, typetransmission
Transmission:	
Forward speeds4
Gear ratioHigh 1:1; Low 6.4:1

PERFORMANCE

Computed grade ability in lowest gear, loaded(percent) 34
Turning radius (ft)Right 22; Left 24
Allowable speed, recommended(mph) 45

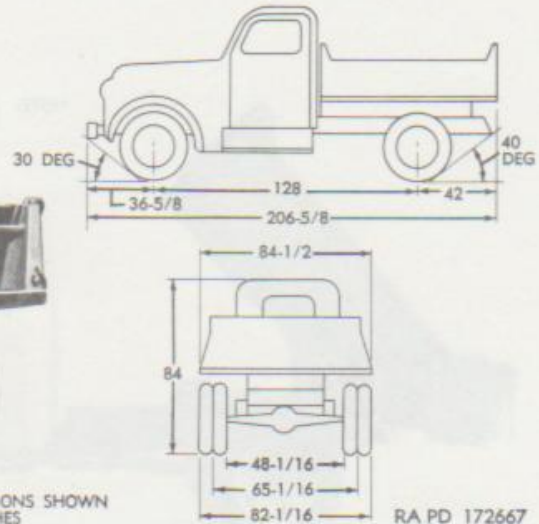
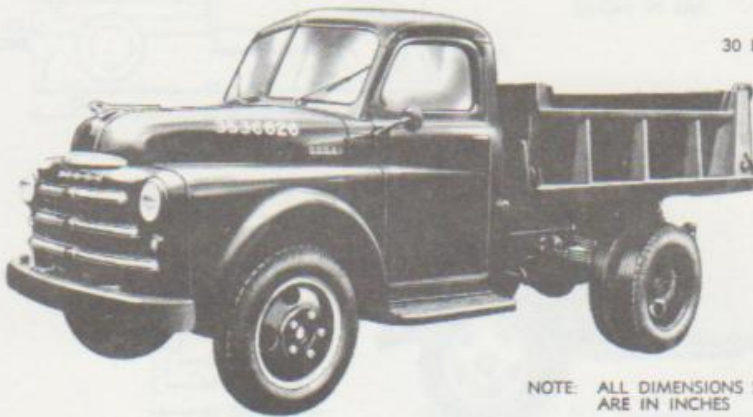
ENGINE

Manufacturer: DodgeModel T-118
Type4-cycle, L-head; No. of cylinders (in line) 6
Displacement(cu. in.) 236.6
Bore(in.) 3¼
Stroke(in.) 4¼
Compression ratio6.6:1
Governed speednot governed
Brake horsepower (max w/std accessories)87 at (rpm) 3,200
Torque (max w/std accessories)179 lb-ft at (rpm) 1,200

ADDITIONAL DATA

Rear Axle, typehypoid, full-floating
Transmission, typesynchromesh

TRUCK, DUMP, 1½-TON, 4 x 2 (Dodge, Model B1F128, 1948)



NOTE: ALL DIMENSIONS SHOWN
ARE IN INCHES

RA PD 172667

Classification: Standard.

Purpose: To transport and dump stone, sand, gravel, etc., and transport general cargo.

GENERAL DATA

Crew.....	3
Weight (lb).....	Net 6,620; Payload 6,880; Gross 13,500
Rear-axle gear ratio.....	6.833:1
Axle load (lb):	
Empty.....	front 2,810; rear 3,810
Loaded.....	front 3,295; rear 10,205
Tires:	
Ply 10.....	Size 7.00 x 20; Pressure (psi) 70
Tread, center-to-center, front.....	(in.) 62
Shipping dimensions, uncrated.....	(cu ft) 850; (sq ft) 121
Vehicle dimensions:	
Ground clearance.....	(in.) 8½
Body inside dimensions (in.).....	Length 96; Width 78; Height 16
Struck capacity.....	(cu yd) 2½
Electrical system	(volts) 6
No. of batteries.....	1
Type of ground.....	positive
Fuel octane rating	70
Capacities:	
Fuel.....	(gal) 18
Cooling system.....	(qt) 19¼
Crankcase, refill.....	(qt) 5
Transmission (qt).....	w/power take off 3¾
Rear axle.....	(qt) 5¼
Brakes:	
Manufacturer: Dodge.....	Type: hydraulic
Parking brake, type.....	transmission
Transmission:	
Forward speeds.....	4
Gear ratio.....	High 1:1; Low 6.4:1

PERFORMANCE

Computed grade ability in lowest gear, loaded.....	(percent) 34
Turning radius.....	(ft) 22
Allowable speed, recommended.....	(mph) 45

ENGINE

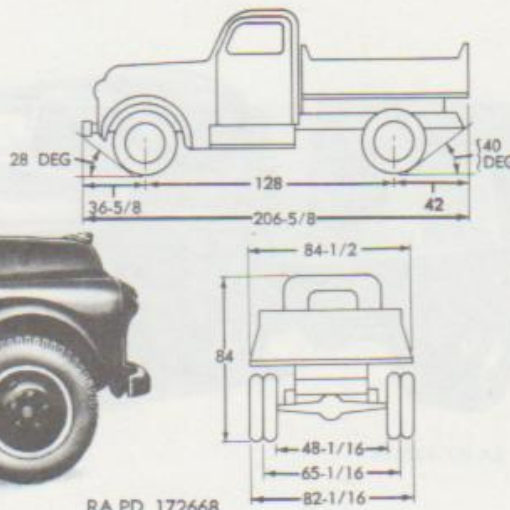
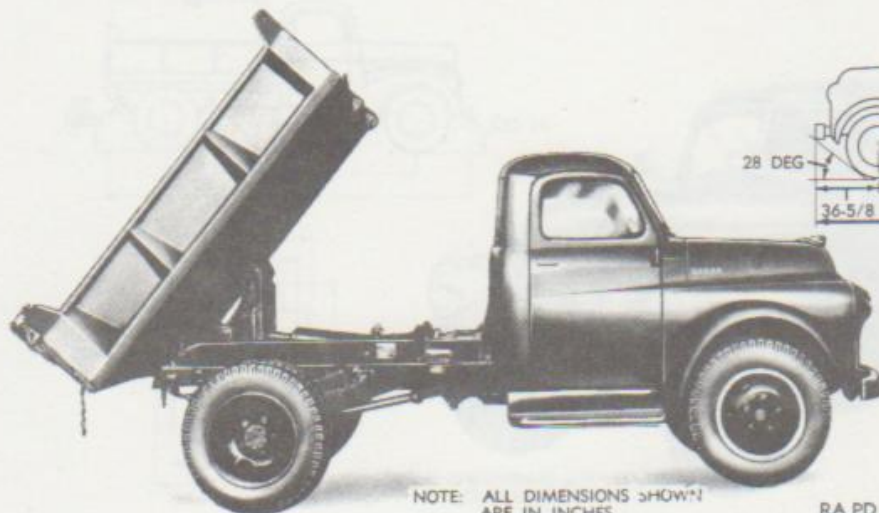
Manufacturer: Dodge.....	Model T-148
Type.....	4-cycle, L-head; No. of cylinders (in line) 6
Displacement.....	(cu in.) 236.6
Bore.....	(in.) 3¼
Stroke.....	(in.) 4¼
Compression ratio.....	6.6:1
Governed speed.....	not governed
Brake horsepower (max w/std accessories).....	.91 at (rpm) 3,200
Torque (max w/std accessories).....	180 lb-ft at (rpm) 1,200

ADDITIONAL DATA

Rear axle, type.....	hypoid, full-floating
Transmission, type.....	synchromesh

TRUCK, DUMP, 1½-TON, 4 x 2

(Dodge, Model B1FA128, w/Garwood Model G12 body, 1948)



NOTE: ALL DIMENSIONS SHOWN ARE IN INCHES

RA PD 172668

Classification: Standard.

Purpose: To transport and dump stone, sand, gravel, etc., and to transport general cargo.

GENERAL DATA

Crew.....	3
Weight (lb).....	Net 5,405; Payload 7,095; Gross 13,500
Rear-axle gear ratios (2-speed):	
High.....	5.83:1
Low.....	8.11:1
Axle load (lb):	
Empty.....	front 2,830; rear 3,575
Loaded.....	front 3,225; rear 10,275
Tires:	
Ply 8.....	Size 7.50 x 20; Pressure (psi) 60
Tread, center-to-center, front.....	(in.) 62
Shipping dimensions, uncrated.....	(cu ft) 965; (sq ft) 138
Vehicle dimensions:	
Ground clearance.....	(in.) 9
Body inside dimensions (in.):	
Length.....	96; Width 72; Height 13½
Struck capacity.....	(cu yds) 2
Electrical system.....	(volts) 6
No. of batteries.....	1
Type of ground.....	positive
Fuel octane rating.....	70
Capacities:	
Fuel.....	(gal) 18
Cooling system.....	(qt) 19½
Crankcase.....	(qt) 5
Transmission (qt).....	w/power take off 3½
Rear axle.....	(qt) 6½
Brakes:	
Manufacturer; Dodge.....	Type; vacuum-hydraulic
Parking brake, type.....	transmission
Transmission:	
Forward speeds.....	4
Gear ratio.....	High 1:1; Low 6.40:1

PERFORMANCE

Computed grade ability in lowest gear, loaded.....	(percent) 42
Turning radius.....	(ft) 22
Allowable speed, recommended.....	(mph) 50

ENGINE

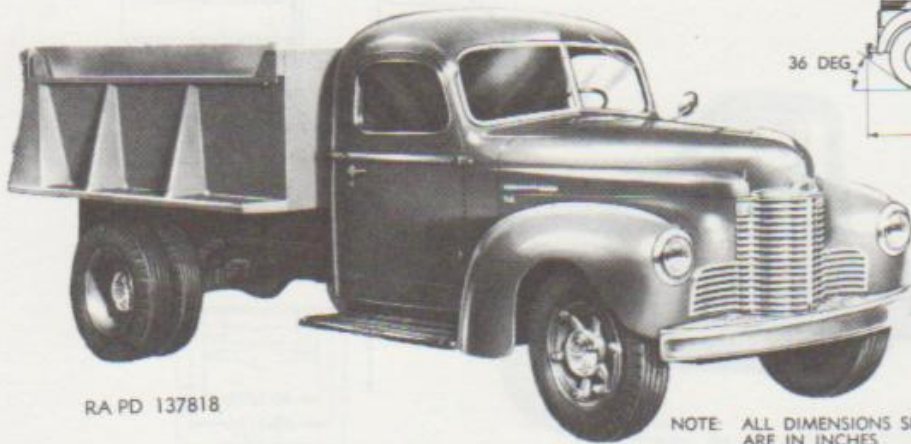
Manufacturer; Dodge.....	Model T-178
Type.....	4-cycle, L-head; No. of cylinders (in line) 6
Displacement.....	(cu in.) 236.6
Bore.....	(in.) 3½
Stroke.....	(in.) 4¾
Compression ratio.....	6.6:1
Governed speed.....	not governed
Brake horsepower (max w/std accessories).....	91 at (rpm) 3,200
Torque (max w/std accessories).....	180 lb-ft at (rpm) 1,200

ADDITIONAL DATA

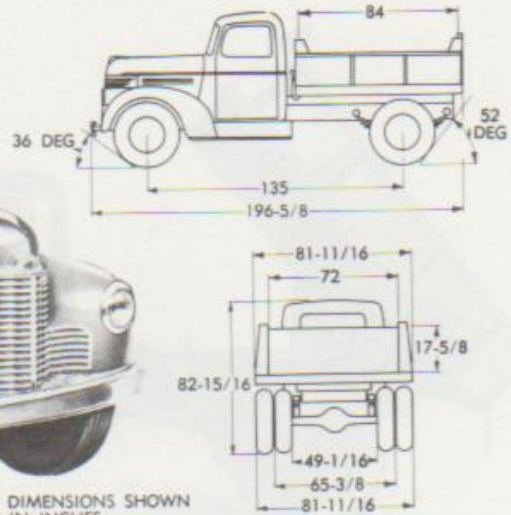
Rear axle, type.....	hypoid, full-floating
Transmission, type.....	synchromesh

TRUCK, DUMP, 1½-TON, 4 x 2

(International Harvester, Model KB 5, 1949)



RA PD 137818



NOTE: ALL DIMENSIONS SHOWN ARE IN INCHES

Classification: Standard.

Purpose: To haul and dump earth, sand, gravel, coal, etc., and transport general cargo.

GENERAL DATA

Crew.....	2
Weight (lb).....	Net 5,800
Payload:	
Off highway.....	3,000; Gross 8,800
On highway.....	5,900; Gross 11,700
Rear-axle gear ratio.....	6.166:1
Axle load (lb):	
Empty.....	front 2,500; rear 3,300
Loaded:	
Off highway.....	front 2,860; rear 5,940
On highway.....	front 3,208; rear 8,492
Tires:	
Ply 8.....	Size 7.00 x 20; Pressure (psi) 55
Tread, center-to-center, front.....	(in.) 58½
Shipping dimensions, uncrated.....	(cu ft) 771; (sq ft) 112
Vehicle dimensions:	
Ground clearance.....	(in.) 9¾
Body inside dimensions (in.):	
Length.....	84; Width 72; Height 17¾
Struck capacity.....	(cu yd) 2¼
Electrical system.....	(volts) 6
No. of batteries.....	1
Type of ground.....	positive
Fuel octane rating.....	75
Capacities:	
Fuel.....	(gal) 18
Cooling system.....	(qt) 14
Crankcase, refill.....	(qt) 5
Transmission w/power take-off.....	(qt) 2¼
Rear axle.....	(qt) 3½
Brakes:	
Manufacturer; Wagner.....	Type; hydraulic
Parking brake, type.....	transmission
Transmission:	
Forward speeds.....	4
Gear ratio.....	High 1:1; Low 6.4:1

PERFORMANCE

Computed grade ability in lowest gear, loaded.....	(percent) 46
Turning radius.....	(ft) 24
Fording depth.....	(in.) 28¾
Fuel consumption, loaded.....	(mpg) 10
Cruising range, loaded.....	(mi) 180
Allowable speed, governed.....	(mph) 56

ENGINE

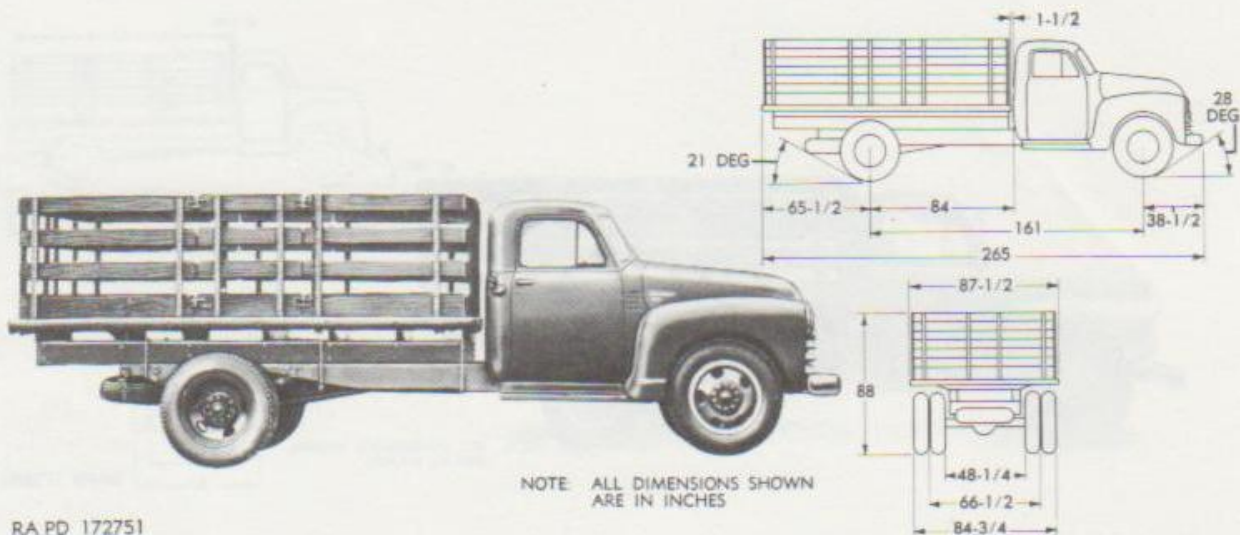
Manufacturer: International Harvester.....	Model GRD-233
Type.....	L-head, 4-cycle; No. of cylinders (in line) 6
Displacement.....	(cu in.) 233
Bore.....	(in.) 3¾
Stroke.....	(in.) 4½
Compression ratio.....	6.3:1
Governed speed.....	(rpm) 3,500
Brake horsepower (max w/std accessories).....	93 at (rpm) 3,400
Torque (max).....	181 lb-ft at (rpm) 1,000

ADDITIONAL DATA

Rear axle, type.....	spiral-bevel, full-floating
Transmission, type.....	synchronesh

TRUCK, STAKE AND PLATFORM, 1½-TON, 4 x 2

(Chevrolet, Model 4409)



RA PD 172751

Classification: Standard.

Purpose: To transport general cargo.

GENERAL DATA

Crew.....	1; No. Passengers (including crew) 3
Weight (lb).....	Net 5,675
Payload.....	off highway 3,000; on highway 6,825
Gross.....	off highway 8,675; on highway 12,500
Rear-axle gear ratio.....	6.17:1
Axle load (lb):	
Empty.....	front 2,650; rear 3,025
Loaded:	
Off highway.....	front 2,830; rear 5,845
On highway.....	front 3,100; rear 9,400
Tires:	
Ply 8.....	Size 7.50 x 20; Pressure (psi) front 40; rear 60
Tread, center-to-center, front.....	(in.) 59¼
Shipping dimensions, uncrated.....	(cu ft) 1,181; (sq ft) 161
Vehicle dimensions:	
Ground clearance.....	(in.) 10
Loading height, empty.....	(in.) 49
Body inside dimensions (in.):	
Length.....	141½
Width.....	80¾
Height.....	38½
Cargo space.....	(cu ft) 254
Electrical system.....	(volts) 6
No. of batteries.....	1
Type of ground.....	negative
Fuel octane rating.....	72
Capacities:	
Fuel.....	(gal) 17½
Cooling system (qt).....	w/o heater 15; w/heater 16
Crankcase, refill.....	(qt) 5
Transmission.....	(qt) 3
Rear axle.....	(qt) 5½
Brakes:	
Manufacturer: Chevrolet.....	Type: hydrovac
Parking brake, type.....	transmission
Transmission:	
Forward speeds.....	4
Gear ratio.....	High 1:1; Low 7.06:1

PERFORMANCE

Computed grade ability in lowest gear w/off-highway load.....	(percent) 37
Turning radius.....	(ft) 28
Fording depth.....	(in.) 22
Fuel consumption, loaded.....	(mpg) 8½
Cruising range, loaded.....	(mi) 150
Allowable speed, governed.....	(mph) 54

ENGINE

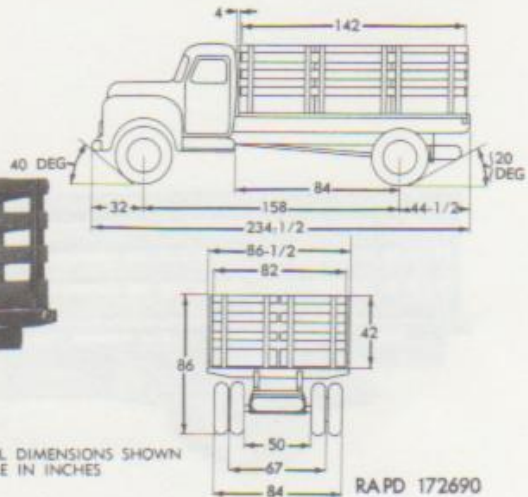
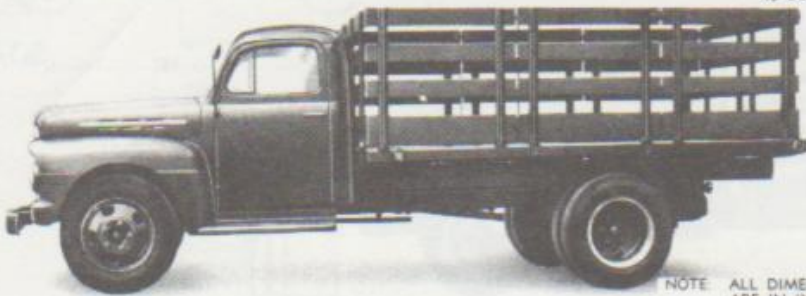
Manufacturer: Chevrolet.....	Model AJE
Type.....	4-cycle, valve-in-head; No. of cylinders (in line) 6
Displacement.....	(cu in.) 235.5
Bore.....	(in.) 3¾
Stroke.....	(in.) 3½
Compression ratio.....	6.7:1
Governed speed.....	(rpm) 3,200
Brake horsepower (max w/std accessories).....	98 at (rpm) 3,500
Torque (max w/std accessories).....	186 lb-ft at (rpm) 2,000

ADDITIONAL DATA

Rear axle, type.....	hypoid, full floating
Transmission, type.....	synchromesh

TRUCK, STAKE AND PLATFORM, 1½-TON, 4 x 2

(Ford, Model F-5)



Classification: Standard.

Purpose: To transport general cargo.

GENERAL DATA

Crew.....	2
Weight (lb): Net.....	5,885
Payload.....	off highway 3,000; on highway 6,615
Gross.....	off highway 8,885; on highway 12,500
Rear-axle gear ratio.....	6.67:1
Axle load (lb):	
Empty.....	front 2,600; rear 3,285
Loaded:	
Off highway.....	front 2,840; rear 6,045
On highway.....	front 3,125; rear 9,375
Tires:	
Ply 8.....	Size 7.50 x 20; Pressure (psi) 60
Tread, center-to-center, front.....	(in.) 58 1/4
Shipping dimensions, uncrated.....	(cu ft) 1,030; (sq ft) 141
Vehicle dimensions:	
Ground clearance.....	(in.) 9 1/4
Loading height, empty.....	(in.) 44
Body inside dimensions (in.):	
Length.....	Width 82; Height 42
Cargo space.....	(cu ft) 288
Electrical system.....	(volts) 6
No. of batteries.....	1
Type of ground.....	positive
Fuel octane rating.....	72
Capacities:	
Fuel.....	(gal) 20
Cooling system.....	(qt) 23
Crankcase, refill.....	(qt) 5
Transmission.....	(qt) 2 1/4
Transfer.....	(qt) 1 1/4
Rear axle.....	(qt) 2 1/4

GENERAL DATA—Continued

Brakes:	
Manufacturer; Ford.....	Type; hydraulic
Parking brake, type.....	transmission
Transmission:	
Forward speeds.....	4
Gear ratio.....	High 1:1; Low 6.4:1

PERFORMANCE

Computed grade ability in lowest gear w/off-highway load.....	(percent) 65
Turning radius.....	(ft) 28
Fording depth.....	(in.) 24
Fuel consumption, loaded.....	(mpg) 9
Cruising range, loaded.....	(mi) 180
Allowable speed, governed.....	(mph) 60

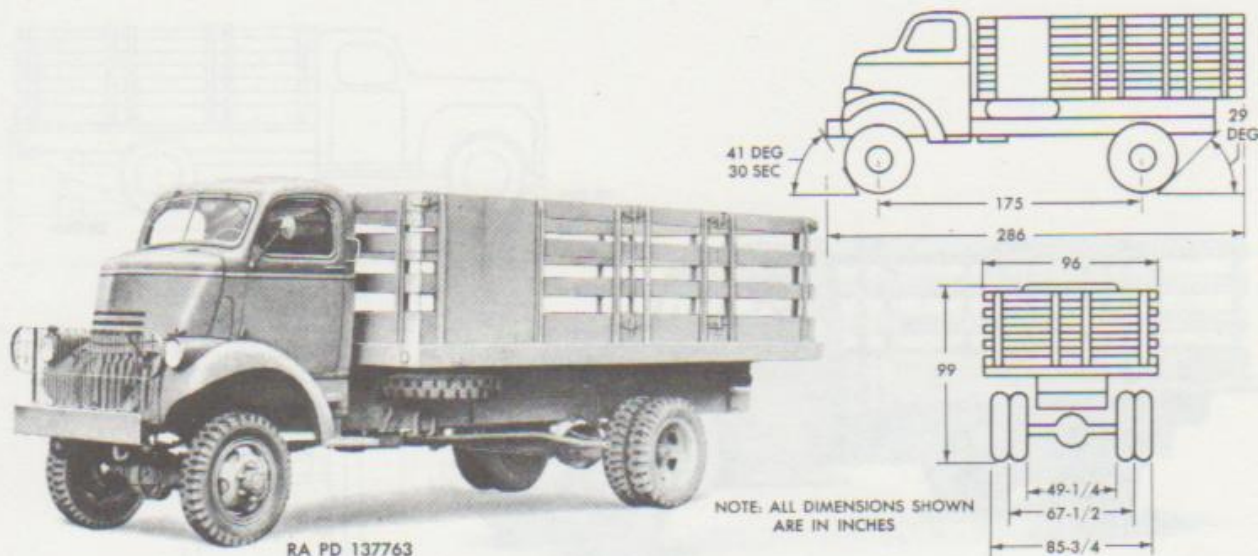
ENGINE

Manufacturer; Ford.....	Model 8RT
Type.....	4-cycle, L-head; No. of cylinders (90-deg F) 8
Displacement.....	(cu. in.) 239
Bore.....	(in.) 3 1/4
Stroke.....	(in.) 3 3/4
Compression ratio.....	6.8:1
Governed speed.....	(rpm) 3,800
Brake horsepower, gross.....	100 at (rpm) 3,800
Torque, gross.....	185 lb-ft at (rpm) 1,900

ADDITIONAL DATA

Rear axle, type.....	spiral-bevel, full-floating
Transmission, type.....	selective sliding gear

TRUCK, STAKE AND PLATFORM, 1½-TON, 4 x 2 (Ford, Model G8T)



Technical Manuals: 9-806, 9-1806A, 9-1806B; Supply Catalog: SNL G-540.

Classification: Standard.

Purpose: To transport general cargo.

GENERAL DATA

Crew.....	2
Weight (lb) Net.....	6,500
Payload.....	off highway 3,350; on highway 6,000
Gross.....	off highway 9,850; on highway 12,500
Rear-axle gear ratio.....	6.67:1
Axle load (lb):	
Empty.....	front 2,630; rear 3,870
Loaded:	
Off highway.....	front 3,006; rear 6,844
On highway.....	front 3,290; rear 9,210
Tires:	
Ply 8.....	Size 7.50 x 20; Pressure (psi) 55
Tread, center-to-center, front.....	(in.) 29½
Shipping dimensions, uncrated.....	(cu ft) 1,173; (sq ft) 167.4
Vehicle dimensions:	
Loading height, empty.....	(in.) 46
Ground clearance.....	(in.) 10
Pintle height, empty.....	(in.) 25¾
Body inside dimensions (in.):	
Length.....	140½
Width.....	82
Height:	
Under bows.....	57
Side rack.....	42
Body cargo space.....	(cu ft) 370
Electrical system.....	(volts) 6
No. of batteries.....	1
Type of ground.....	positive
Fuel octane rating.....	70
Capacities:	
Fuel.....	(gal) 49
Cooling system.....	(qt) 16
Crankcase.....	(qt) 5
Transmission.....	(qt) 2½
Rear axle.....	(qt) 2½

GENERAL DATA—Continued

Brakes:	
Manufacturer; Ford.....	Type; hydraulic
Parking brake, type.....	transmission
Transmission:	
Forward speeds.....	4
Gear ratio.....	High 1:1; Low 6.4:1

PERFORMANCE

Computed grade ability in lowest gear, loaded.....	(percent) 32
Turning radius.....	(ft) 29
Fording depth.....	(in.) 25
Fuel consumption, loaded.....	(mpg) 9
Cruising range, loaded.....	(mi) 440
Allowable speed, governed.....	(mph) 45
Maximum recommended towed load:	
Off highway, gross.....	(lb) 3,000
On highway, gross.....	(lb) 6,000

ENGINE

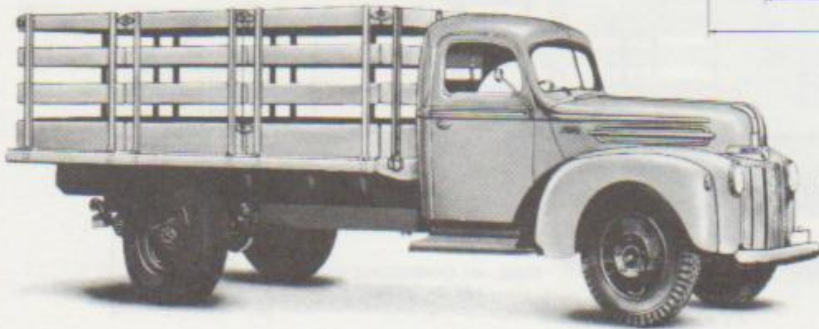
Manufacturer; Ford.....	Model G8T
Type.....	L-head, 4-cycle; No. of cylinders (in line) 6
Displacement.....	(cu in.) 225
Bore.....	(in.) 3.3
Stroke.....	(in.) 4.4
Compression ratio.....	6.7:1
Governed speed.....	(rpm) 3,400
Brake horsepower (max w/std accessories).....	81 at (rpm) 3,300
Torque (max).....	170 lb-ft at (rpm) 1,200

ADDITIONAL DATA

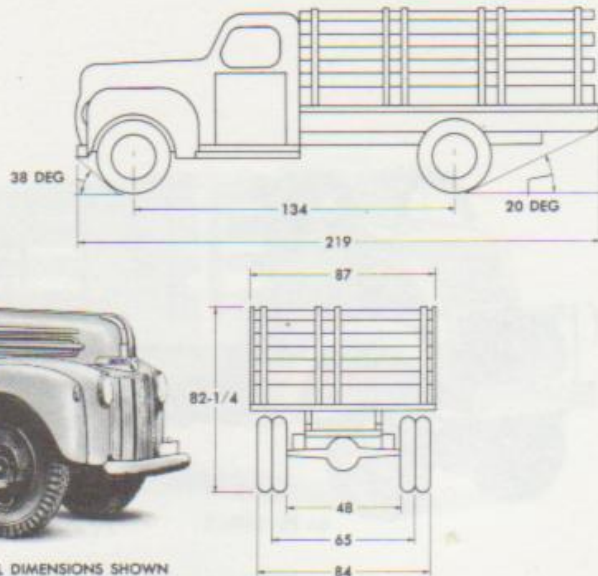
Rear axle, type.....	spiral-bevel, full-floating
Transmission, type.....	selective sliding-gear

TRUCK, STAKE AND PLATFORM, 1½-TON, 4 x 2

(Ford, Models 2GT, 1942; 2GT, 6-cyl, 1942; 2GT, 1943)



RA PD 137811



NOTE: ALL DIMENSIONS SHOWN ARE IN INCHES

Technical Manuals: 9-806, 9-1806A, 9-1806B; Supply Catalog: SNL G-540.

Classification: Standard.

GENERAL DATA

Crew	2
Weight (lb): Net	4,680
Payload	off highway 3,000; on highway *7,820
Gross	off highway 7,680; on highway 12,500
Rear-axle gear ratio	6.67:1
Axle load (lb):	
Empty	front 2,010; rear 2,670
Loaded:	
Off highway	front 2,235; rear 5,445
On highway	front 2,590; rear 9,910
Tires:	
Ply 8	Size 7.50 x 20; Pressure (psi) 55
Tread, center-to-center, front	(in.) 56.66
Shipping dimensions, uncrated	(cu ft) 910; (sq ft) 133
Vehicle dimensions:	
Ground clearance	(in.) 9¼
Loading height, empty	(in.) 43¼
Body inside dimensions (in.):	
Length	106
Width	82¼
Height:	
Under bows	57
Side rack	42
Body cargo space	(cu ft) 284
Electrical system	(volts) 6
No. of batteries	1
Type of ground	positive
Fuel octane rating	72
Capacities:	
Fuel	(gal) 19
Cooling system	(qt) 17¼
Crankcase, refill	(qt) 5
Transmission	(qt) 2½
Rear axle	(qt) 2½

Purpose: To transport general cargo.

GENERAL DATA—Continued

Brakes:	
Manufacturer; Ford	Type; hydraulic
Parking brake, type	transmission
Transmission:	
Forward speeds	4
Gear ratio	High 1:1; Low 6.4:1

PERFORMANCE

Computed grade ability in lowest gear, loaded	(percent) 38
Turning radius	(ft) 25
Fording depth	(in.) 25
Fuel consumption, loaded	(mpg) 9
Cruising range, loaded	(mi) 171
Allowable speed, governed	(mph) 45

ENGINE

Manufacturer; Ford	Model 2GT
Type	L-head, 4-cycle; No. of cylinders (in line) 6
Displacement	(cu in.) 226
Bore	(in.) 3.3
Stroke	(in.) 4.4
Compression ratio	6.7:1
Governed speed	(rpm) 3,400
Brake horsepower (max w/std accessories)	81 at (rpm) 3,300
Torque (max)	170 lb-ft at (rpm) 1,200

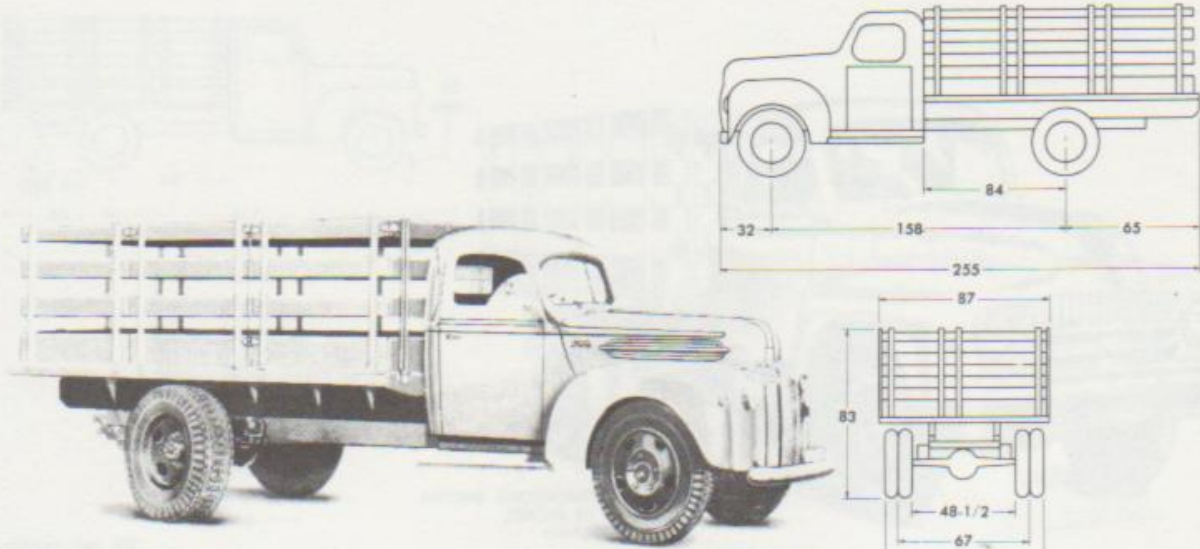
ADDITIONAL DATA

Rear axle, type	spiral-bevel, full-floating
Transmission, type	selective sliding-gear

*Truck must be equipped with helper springs for this payload.

TRUCK, STAKE AND PLATFORM, 1½-TON, 4 x 2

(Ford, Models 2G8T and 2GT86, 6-cyl, 1942)



RA PD 137812

NOTE: ALL DIMENSIONS SHOWN ARE IN INCHES

Technical Manuals: 9-806, 9-1806A, 9-1806B; Supply Catalog: SNL G-540.

Classification: Standard.

GENERAL DATA

Crew	2
Weight (lb)	Net 5,138
Payload	off highway 3,140; on highway 7,362
Gross	off highway 8,278; on highway 12,500
Rear axle-gear ratio	6.67:1
Axle load (lb):	
Empty	front 2,338; rear 2,800
Loaded:	
Off highway	front 2,448; rear 5,830
On highway	front 2,600; rear 9,900
Tires:	
Ply 8	Size 7.50 x 20; Pressure (psi) 55
Tread, center-to-center, front	(in.) 56½
Shipping dimensions, uncrated	(cu ft) 1,360; (sq ft) 155
Vehicle dimensions:	
Ground clearance	(in.) 9½
Loading height, empty	(in.) 43½
Pintle height, empty	(in.) 25½
Body inside dimensions (in.):	
Length	142
Width	82
Height:	
Under bows	57
Side rack	42
Body cargo space	(cu ft) 385
Electrical system	(volts) 6
No. of batteries	1
Type of ground	positive
Fuel octane rating	72
Capacities:	
Fuel	(gal) 49
Cooling system	(qt) 17½
Crankcase, refill	(qt) 5
Transmission	(qt) 2½
Rear axle	(qt) 2½

Purpose: To transport general cargo.

GENERAL DATA—Continued

Brakes:	
Manufacturer: Ford	Type: hydraulic
Parking brake, type	transmission
Transmission:	
Forward speeds	4
Gear ratio	High 1:1; Low 6.4:1

PERFORMANCE

Computed grade ability in lowest gear, loaded	(percent) 38
Turning radius	(ft) 29½
Fording depth	(in.) 25
Fuel consumption, loaded	(mpg) 9
Cruising range, loaded	(mi) 441
Allowable speed, governed	(mph) 45
Maximum recommended towed load:	
Off highway, gross	(lb) 3,000
On highway, gross	(lb) 6,000

ENGINE

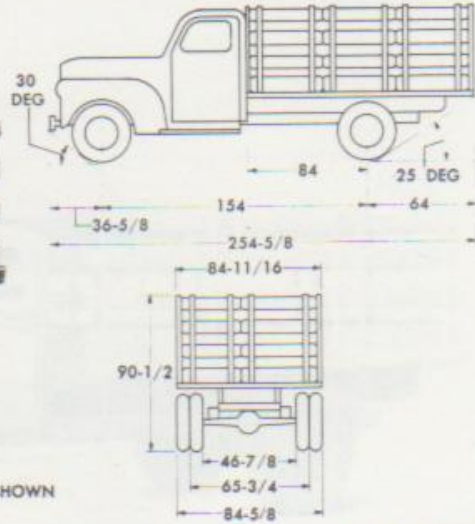
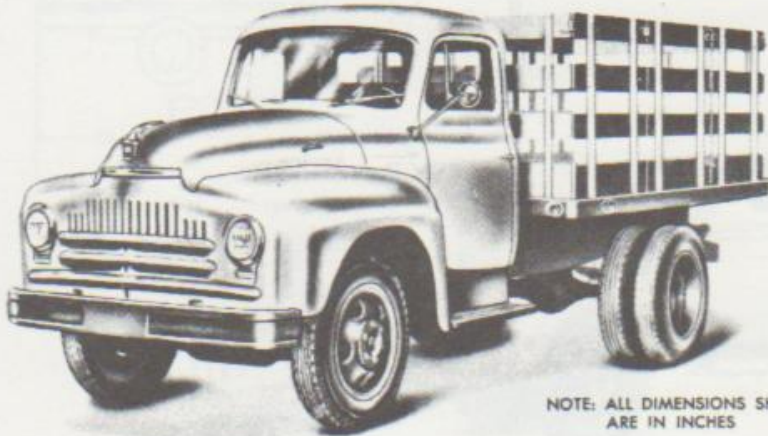
Manufacturer: Ford	Model 2GT
Type	L-head, 4-cycle; No. of cylinders (in line) 6
Displacement	(cu in.) 226
Bore	(in.) 3.3
Stroke	(in.) 4.4
Compression ratio	6.7:1
Governed speed	(rpm) 3,400
Brake horsepower (max w/std accessories)	81 at (rpm) 3,300
Torque (max)	170 lb-ft at (rpm) 1,300

ADDITIONAL DATA

Rear axle, type	spiral-bevel, full-floating
Transmission, type	selective sliding-gear

TRUCK, STAKE AND PLATFORM, 1½-TON, 4 x 2

(International Harvester, Model L-152)



NOTE: ALL DIMENSIONS SHOWN ARE IN INCHES

RA PD 137803

Classification: Standard.

Purpose: To transport general cargo.

GENERAL DATA

Crew	2
Weight (lb): Net	5,505
Payload	off highway 3,000; on highway 6,995
Gross	off highway 8,505; on highway 12,500
Rear-axle gear ratio	6.166:1
Axle load (lb):	
Empty	front 2,830; rear 2,675
Loaded:	
Off highway	front 3,010; rear 5,495
On highway	front 3,250; rear 9,250
Tires:	
Ply 8	Size 7.50 x 20; Pressure (psi) 60
Tread, center-to-center, front	(in.) 62½
Shipping dimensions, uncrated	(cu ft) 1,130; (sq ft) 150
Vehicle dimensions:	
Ground clearance	(in.) 10½
Loading height, empty	(in.) 46½
Body inside dimensions (in.):	
Length	140; Width 80; Height 42
Cargo space	(cu ft) 272
Electrical system	(volts) 6
No. of batteries	1
Type of ground	positive
Fuel octane rating	72
Capacities:	
Fuel	(gal) 21
Cooling system	(qt) 17¾
Crankcase, refill	(qt) 7
Transmission	(qt) 2½
Rear axle	(qt) 2¾
Brakes:	
Manufacturer; Bendix	Type; hydraulic
Parking brake, type	transmission
Transmission:	
Forward speeds	4
Gear ratio	High 1:1; Low 6.4:1

PERFORMANCE

Computed grade ability in lowest gear, loaded	(percent) 33
Turning radius	(ft) 27
Fording depth	(in.) 24½
Fuel consumption, loaded	(mpg) 6
Cruising range, loaded	(mi) 126
Allowable speed, governed	(mph) 57

ENGINE

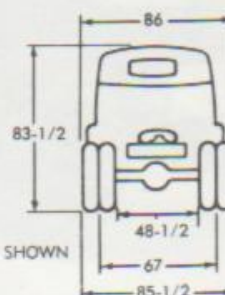
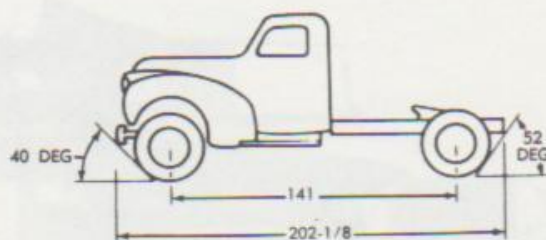
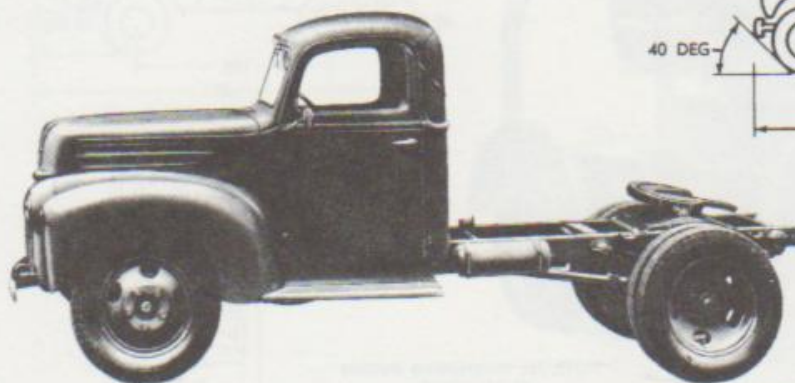
Manufacturer: International Harvester	Model SD-240
Type	Valve-in-head, 4-cycle; No. of cylinders (in line) 6
Displacement	(cu. in.) 240.3
Bore	(in.) 3½
Stroke	(in.) 4¼
Compression ratio	6.5:1
Governed speed	(rpm) 3,400
Brake horsepower (max w/std accessories)	93 at (rpm) 3,400
Torque (max)	186 lb-ft at (rpm) 1,100

ADDITIONAL DATA

Rear axle, type	hypoid, full-floating
Transmission, type	synchromesh

TRUCK, TRACTOR, 1½-TON, 4 x 2

(Ford, Models 2G8TA, 2GT, 1942; 2GT, 6-cyl, 1942; 2GT86, 6-cyl, 1942; 2G8T, 6-cyl, 1942; 2GT, 1943)



NOTE: ALL DIMENSIONS SHOWN ARE IN INCHES

RA PD 172701

Technical Manuals: 9-806, 9-1806A, 9-1806B, 9-1825B, 9-1827C, 9-1828A, 9-1829A; Supply Catalog: SNL G-540.

Classification: Standard.

Purpose: To tow semitrailers.

GENERAL DATA

Crew.....	2
Weight (lb):	
Net.....	5,800
Payload.....	off highway 4,320; on highway 6,780
Gross.....	off highway 10,120; on highway 12,660
Rear-axle gear ratio.....	6.67:1
Axle load (lb):	
Empty.....	front 2,760; rear 3,040
Loaded:	
Off highway.....	front 2,950; rear 7,170
On highway.....	front 3,060; rear 9,500
Tires:	
Ply 8.....	Size 7.50 x 20; Pressure (psi) 55
Tread, center-to-center, front.....	(in.) 65
Shipping dimensions, uncrated.....	(cu ft) 840; (sq ft) 121
Vehicle dimensions:	
Ground clearance.....	(in.) 934
Height to center of fifth wheel.....	(in.) 40
Fifth-wheel center to center of rear axle.....	(in.) 3
Electrical system.....	(volts) 6
No. of batteries.....	1
Type of ground.....	positive
Fuel octane rating.....	68
Capacities:	
Fuel.....	(gal) 19
Cooling system.....	(qt) 16
Crankcase.....	(qt) 5
Transmission.....	(qt) 214
Rear axle.....	(qt) 214
Brakes:	
Manufacturer.....	Ford; Type: hydraulic w/vacuum booster
Parking brake, type.....	transmission
Transmission:	
Forward speeds.....	4
Gear ratio.....	High 1:1; Low 6.4:1

PERFORMANCE

Computed grade ability in low gear, loaded.....	(percent) 24
Turning radius.....	(ft) 29
Fording depth.....	(in.) 25
Fuel consumption, loaded.....	(mpg) 7
Cruising range, loaded.....	(mph) 130
Allowable speed, governed.....	(mph) 45
Maximum semitrailer, gross.....	(lb) 12,000

ENGINE

Manufacturer: Ford.....	Model G8TA
Type.....	4-cycle, L-head; No. of cylinders (in line) 6
Displacement.....	(cu in.) 225
Bore.....	(in.) 3 1/4
Stroke.....	(in.) 4 3/4
Compression ratio.....	6.7:1
Governed speed.....	(rpm) 3,400
Brake horsepower (max w/std accessories).....	90 at (rpm) 3,400
Torque (max w/std accessories).....	180 lb-ft at (rpm) 1,200

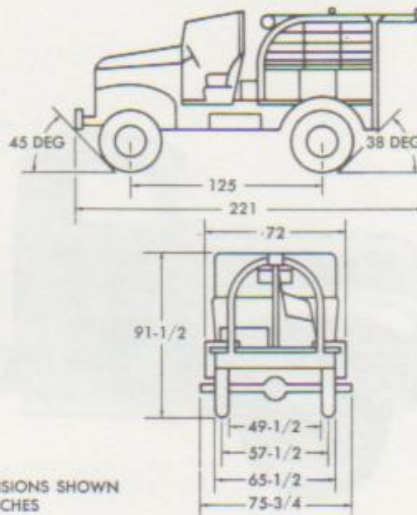
ADDITIONAL DATA

Equipped with controls for semitrailer electric brakes.	
Rear axle, type.....	spiral-bevel, full-floating
Transmission, type.....	selective sliding gear

TRUCK, BOMB SERVICE, 1½-TON, 4 x 4, M6 (Chevrolet, Model NQ, G7128)



RA PD 137762



NOTE: ALL DIMENSIONS SHOWN
ARE IN INCHES

Technical Manuals: 9-765, 9-805, 9-1765A, 9-1765B, 9-1825A, 9-1827B; Supply Catalog: SNL G-55, Vol. 4.

Classification: Limited Standard.

Purpose: To tow bomb trailers and lift bombs on and off trailers.

GENERAL DATA

Crew	2; Passengers (including crew) 5
Weight (lb)	Net 6,325; Payload 2,000; Gross 8,325
Live-axle gear ratio	6.67:1
Axle load (lb):	
Empty	front 3,180; rear 3,145
Loaded	front 3,405; rear 4,920
Tires:	
Ply 8	Size 7.50 x 20; Pressure (psi) 55
Tread, center-to-center, front	(in.) 60½
Shipping dimensions, uncrated	(cu ft) 887; (sq ft) 116
Vehicle dimensions:	
Ground clearance	(in.) 9¾
Pintle height, loaded	(in.) 25¼
Electrical system	(volts) 6
No. of batteries	1
Type of ground	negative
Fuel octane rating	70
Capacities:	
Fuel	(gal) 48
Cooling system	(qt) 17¼
Crankcase, refill	(qt) 5
Transfer	(qt) 2
Transmission	(qt) 2¾
Axles (each)	(qt) 7
Brakes:	
Manufacturer	Chevrolet; Type; hydrovac
Parking brake, type	transfer
Transmission:	
Forward speeds	4
Gear ratio	High 1:1; Low 7.06:1
Transfer:	
Speeds	2
Gear ratio	High 1:1; Low 1.941:1

PERFORMANCE

Computed grade ability in lowest gear, loaded	(percent) 65
Turning radius	(ft) 27¼
Fording depth	(in.) 29
Fuel consumption, loaded:	
W/towed load	(mpg) 5
W/o towed load	(mpg) 9
Cruising range, loaded:	
W/towed load	(mi) 240
W/o towed load	(mi) 432
Allowable speed, governed	(mph) 50
Maximum recommended towed load, gross	(lb) 8,000

ENGINE

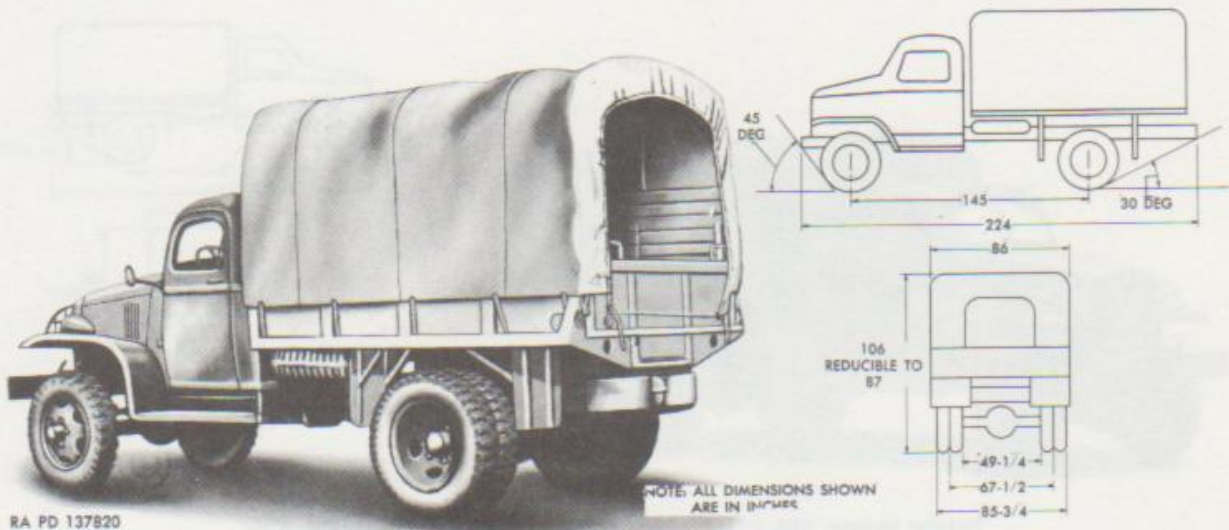
Manufacturer: Chevrolet	Model BV-1001 up
Type	Valve-in-head, 4-cycle; No. of cylinders (in line) 6
Displacement	(cu in.) 235.5
Bore	(in.) 3¾
Stroke	(in.) 3½
Compression ratio	6.62:1
Governed speed (when governor is furnished)	(rpm) 3,100
Brake horsepower (max w/std accessories)	.83 at (rpm) 3,100
Torque (max)	184 lb-ft at (rpm) 1,000

ADDITIONAL DATA

Hoist hand-operated	Capacity 1 ton.
Live axle, type	hypoid, full-floating
Transmission, type	selective sliding-gear

TRUCK, CARGO, 1½-TON, 4 x 4

(Chevrolet, Models YP, G4112, 1941; NJ, G7107, 1942)



Technical Manuals: 9-805, 9-1765A, 9-1765B, 9-1825A, 9-1827B; Supply Catalog: SNL G-506.

Classification: Standard.

Purpose: To transport general cargo and personnel.

GENERAL DATA

Crew.....	2
Weight (lb).....	Net 7,545
Payload:	
Off highway.....	3,350; Gross 10,895
On highway.....	5,400; Gross 12,945
Live-axle gear ratio.....	6.67:1
Axle load (lb):	
Empty.....	front 3,200; rear 4,345
Loaded:	
Off highway.....	front 3,610; rear 7,285
On highway.....	front 3,860; rear 9,085
Tires:	
Ply 8.....	Size 7.50 x 20; Pressure (psi); front 55, rear 40
Tread, center-to-center, front.....	(in.) 60½
Shipping dimensions, uncrated.....	(cu ft) 970; (sq ft) 134
Vehicle dimensions:	
Ground clearance.....	(in.) 9¾
Loading height, empty.....	(in.) 46
Pintle height, loaded.....	(in.) 29
Body inside dimensions (in.):	
Length.....	108
Width.....	70
Height:	
Under bows.....	59
Side panel.....	14
Side rack.....	36½
Body cargo space.....	(cu ft) 258
Electrical system.....	(volts) 6
No. of batteries.....	1
Type of ground.....	negative
Fuel octane rating.....	70
Capacities:	
Fuel.....	(gal) 30
Cooling system.....	(qt) 17¾
Crankcase, refill.....	(qt) 5
Transmission.....	(qt) 2¾
Transfer.....	(qt) 2
Axles (each).....	(qt) 7

GENERAL DATA—Continued

Brakes:	
Manufacturer.....	Chevrolet; Type; hydraulic
Parking brake, type.....	transfer
Transmission:	
Forward speeds.....	4
Gear ratio.....	High 1:1; Low 7.06:1; on early YP 7.23:1
Transfer:	
Speeds.....	2
Gear ratio.....	High 1:1; Low 1.94:1

PERFORMANCE

Computed grade ability in lowest gear, loaded.....	(percent) 65
Turning radius.....	(ft) 31
Fording depth.....	(in.) 29
Fuel consumption, loaded:	
W/towed load.....	(mpg) 6½
W/o towed load.....	(mpg) 9
Cruising range, loaded:	
W/towed load.....	(mi) 195
W/o towed load.....	(mi) 270
Allowable speed.....	(mph) 48
Maximum recommended towed load, gross.....	(lb) 8,000

ENGINE

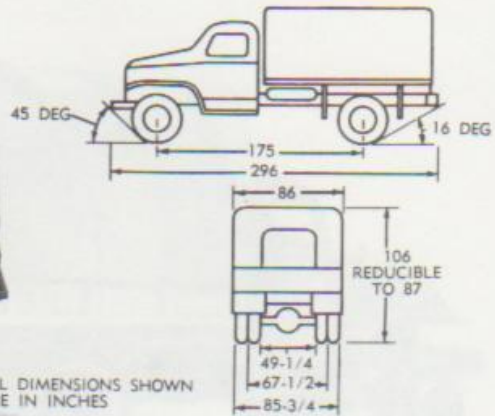
Manufacturer: Chevrolet.....	Model BV 1001 up
Type.....	Valve-in-head, 4-cycle; No. of cylinders (in line) 6
Displacement.....	(cu in.) 235.5
Bore.....	(in.) 3¾
Stroke.....	(in.) 3¾
Compression ratio.....	6.62:1
Governed speed.....	(rpm) 3,100
Brake horsepower (max w/std accessories).....	.83 at (rpm) 3,100
Torque (max).....	184 lb-ft at (rpm) 1,000

ADDITIONAL DATA

Live axle, type.....	hypoid, full-floating
Transmission, type.....	selective sliding-gear

TRUCK, CARGO, 1½-TON, 4 x 4

(Chevrolet, Models YQ, G4112, 1941; ZQ, G4174, 1941; NP, G7127, 1942, LWB)



NOTE: ALL DIMENSIONS SHOWN ARE IN INCHES

RA PD 172692

Technical Manuals: 9-805, 9-1765A, 9-1765B, 9-1825A, 9-1827B; Supply Catalog: SNL G-506.

Classification: Limited Standard.

Purpose: To transport general cargo and personnel.

GENERAL DATA

Crew	2
Weight (lb)	Net 8,150
Payload:	
Off highway	3,350; Gross 11,500
On highway	4,800; Gross 12,950
Live-axle gear ratio	6.67:1
Axle load (lb):	
Empty	front 3,120; rear 5,030
Loaded:	
Off highway	front 3,415; rear 8,085
On highway	front 3,540; rear 9,410
Tires:	
Ply 8	Size 7.50 x 20; Pressure (psi) front 55; rear 45
Tread, center-to-center, front	(in.) 60½
Shipping dimensions, uncrated	(cu ft) 1,282; (sq ft) 177
Vehicle dimensions:	
Loading height, empty	(in.) 47
Ground clearance	(in.) 90¾
Pintle height, loaded	(in.) 29
Body inside dimensions (in.):	
Length	180
Width	70
Height under bows	59
Body cargo space	(cu ft) 430
Electrical system	(volts) 6
No. of batteries	1
Type of ground	negative
Fuel octane rating	70
Capacities:	
Fuel	(gal) 30
Cooling system	(qt) 17¼
Crankcase, refill	(qt) 5
Transfer	(qt) 2
Transmission	(qt) 29¼
Axles (each)	(qt) 7
Brakes:	
Manufacturer: Chevrolet	Type: hydrovac
Parking brake, type	transfer on ZQ & NP; rear-wheel on YQ

GENERAL DATA—Continued

Transmission:	
Forward speeds	4
Gear ratio	High 1:1; Low 7.06:1; on early YQ 7.23:1
Transfer:	
Speeds	2
Gear ratio	High 1:1; Low 1.94:1

PERFORMANCE

Computed grade ability in lowest gear, loaded	(percent) 65
Turning radius	(ft) 36½
Fording depth	(in.) 29
Fuel consumption, loaded:	
W/towed load	(mpg) 6½
W/o towed load	(mpg) 9
Cruising range, loaded:	
W/towed load	(mi) 195
W/o towed load	(mi) 270
Allowable speed, governed	(mph) 48
Maximum recommended towed load, gross	(lb) 8,000

ENGINE

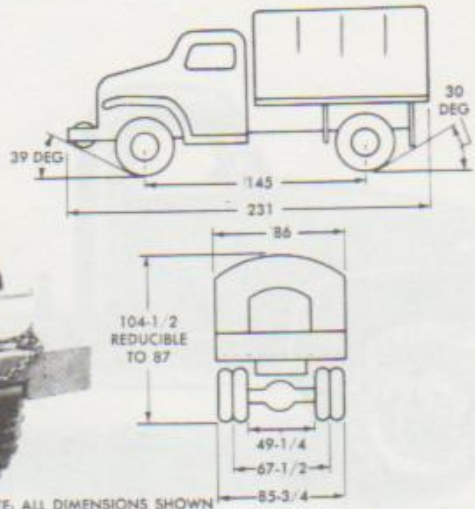
Manufacturer: Chevrolet	Model BV-1001 up
Type	Valve-in-head, 4-cycle; No. of cylinders (in line) 6
Displacement	(cu in.) 235.5
Bore	(in.) 39¼
Stroke	(in.) 3½¼
Compression ratio	6.62:1
Governed speed	(rpm) 3,100
Brake horsepower (max w/std accessories)	83 at (rpm) 3,100
Torque (max)	184 lb-ft at (rpm) 1,000

ADDITIONAL DATA

Live Axles, type	hypoid, full-floating
Transmission, type	selective sliding-gear

TRUCK, CARGO, 1½-TON, 4 x 4 W/WINCH

(Chevrolet, Models ZP, G4163, 1941; NM, G7117, (1942))



NOTE: ALL DIMENSIONS SHOWN
ARE IN INCHES

RA PD 137764

Technical Manuals: 9-805; 9-1765A; 9-1765B; 9-1825A; 9-1827B; Supply Catalog: SNL G-506.

Classification: Standard.

Purpose: To transport general cargo and personnel.

GENERAL DATA

Crew.....	2
Weight (lb).....	Net 8,215
Payload:	
Off highway.....	3,350; Gross 11,565
On highway.....	4,700; Gross 12,915
Live-axle gear ratio.....	6.67:1
Axle load (lb):	
Empty.....	front 3,825; rear 4,390
Loaded:	
Off highway.....	front 4,235; rear 7,330
On highway.....	front 4,395; rear 8,520
Tires:	
Ply 8.....	Size 7.50 x 20; Pressure (psi) front 55; rear 40
Tread, center-to-center, front.....	(in.) 60½
Shipping dimensions, uncrated.....	(cu ft) 1,000; (sq ft) 138
Vehicle dimensions:	
Ground clearance.....	(in.) 9½
Loading height, empty.....	(in.) 47
Pintle height, loaded.....	(in.) 29
Body inside dimensions (in.):	
Length 108.....	Width 70
Height.....	To roof bows 59; Side rack 36½; Side panels 14
Body cargo space.....	(cu ft) 258
Electrical system.....	(volts) 6
No. of batteries.....	1
Type of ground.....	negative
Fuel octane rating.....	70
Capacities:	
Fuel.....	(gal) 30
Cooling system.....	(qt) 17½
Crankcase, refill.....	(qt) 5
Transfer.....	(qt) 2
Transmission w/power take-off.....	(qt) 5
Axles (each).....	(qt) 7
Winch:	
Oil capacity.....	(qt) 1¾
Load capacity.....	(lb) 10,000

GENERAL DATA—Continued

Brakes:	
Manufacturer.....	Chevrolet; Type; hydrovac
Parking brake, type.....	transfer
Transmission:	
Forward speeds.....	4
Gear ratio.....	High 1:1; Low 7.06:1
Transfer:	
Speeds.....	2
Gear ratio.....	High 1:1; Low 1.941:1

PERFORMANCE

Computed grade ability in lowest gear, loaded.....	(percent) 65
Turning radius.....	(ft) 31
Fording depth.....	(in.) 29
Fuel consumption, loaded:	
W/towed load.....	(mpg) 6½
W/o towed load.....	(mpg) 9
Cruising range, loaded:	
W/towed load.....	(mi) 195
W/o towed load.....	(mi) 270
Allowable speed, governed.....	(mph) 48
Maximum recommended towed load, gross.....	(lb) 8,000

ENGINE

Manufacturer: Chevrolet.....	Model BV-1001 up
Type.....	Valve-in-head, 4-cycle; No. of cylinders (in line) 6
Displacement.....	(cu in.) 235.5
Bore.....	(in.) 3¾
Stroke.....	(in.) 3½
Compression ratio.....	6.62:1
Governed speed.....	(rpm) 3,100
Brake horsepower (max w/std accessories).....	83 at (rpm) 3,100
Torque (max).....	184 lb-ft at (rpm) 1,000

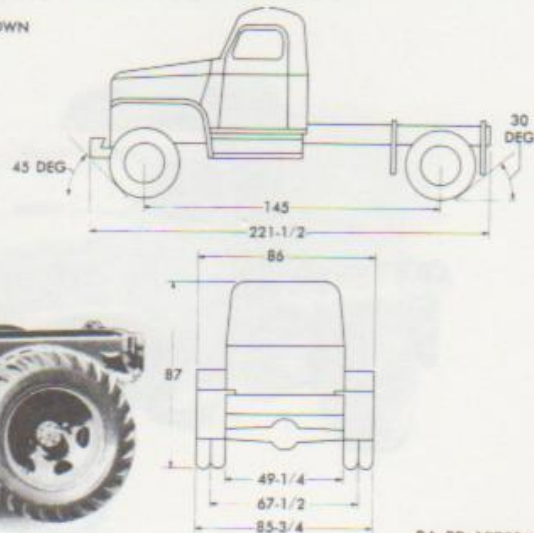
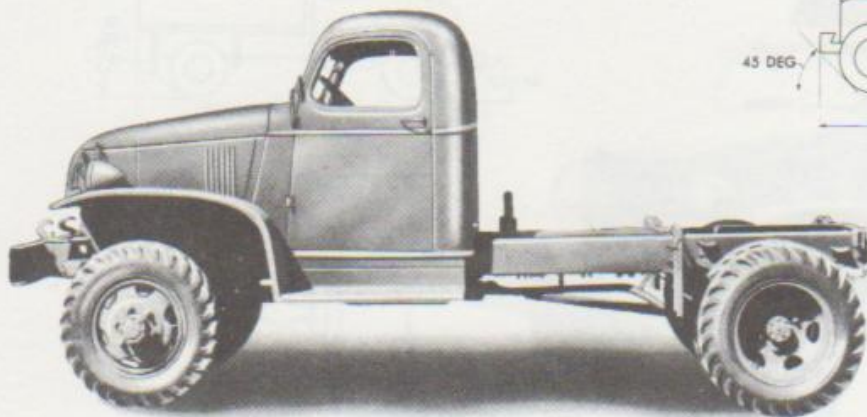
ADDITIONAL DATA

Live Axles, type.....	hypoid, full-floating
Transmission, type.....	selective sliding-gear

TRUCK, CHASSIS, 1½-TON, 4 x 4

(Chevrolet, Models NJ, G7107, 1942; NE, G7103, 1942-43)

NOTE: ALL DIMENSIONS SHOWN
ARE IN INCHES



RA PD 137806

Technical Manuals: 9-805, 9-1765A, 9-1765B, 9-1825A, 9-1827B; Supply Catalog: SNL G-506.

Classification: Nonclassified.

Purpose: For use as component of cargo or special-equipment truck.

GENERAL DATA

Crew.....	2
Weight (lb).....	Net 5,935; Maximum gross 11,500
Live-axle gear ratio.....	6.67:1
Axle load (lb).....	front 3,265; rear 2,670
Tires:	
Ply 8.....	Size 7.50 x 20; Pressure (psi) front 55; rear 40
Tread, center-to-center, front.....	(in.) 60½
Shipping dimensions, uncrated.....	(cu ft) 960; (sq ft) 132
Vehicle dimensions:	
Ground clearance.....	(in.) 9¾
Pintle height, empty.....	(in.) 30¾
Electrical system..... (volts) 6	
No. of batteries.....	1
Type of ground.....	negative
Fuel octane rating.....	70
Capacities:	
Fuel.....	(gal) 30
Cooling system.....	(qt) 17¼
Crankcase, refill.....	(qt) 5
Transmission.....	(qt) 2¾
Transfer.....	(qt) 2
Axles (each).....	(qt) 7
Brakes:	
Manufacturer; Chevrolet.....	Type; hydraulic
Parking brake, type.....	transfer
Transmission:	
Forward speeds.....	4
Gear ratio.....	High 1:1; Low 7.06:1
Transfer:	
Speeds.....	2
Gear ratio.....	High 1:1; Low 1.94:1

PERFORMANCE

Computed grade ability in lowest gear, loaded.....	(percent) 65
Turning radius.....	(ft) 31
Fording depth.....	(in.) 29
Fuel consumption, loaded:	
W/towed load.....	(mpg) 6¼
W/o towed load.....	(mpg) 9
Cruising range, loaded:	
w/towed load.....	(mi) 195
W/o towed load.....	(mi) 270
Allowable speed, governed.....	(mph) 48
Maximum recommended towed load, gross.....	(lb) 5,000

ENGINE

Manufacturer; Chevrolet.....	Model BV 1001 up
Type.....	Valve-in-head, 4-cycle; No. of cylinders (in line) 6
Displacement.....	(cu in.) 235.5
Bore.....	(in.) 3¾
Stroke.....	(in.) 3½
Compression ratio.....	6.62:1
Governed speed.....	(rpm) 3,100
Brake horsepower (max w/std accessories).....	83 at (rpm) 3,100
Torque (max).....	184 lb.ft at (rpm) 1,000

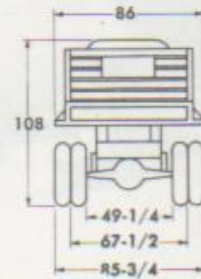
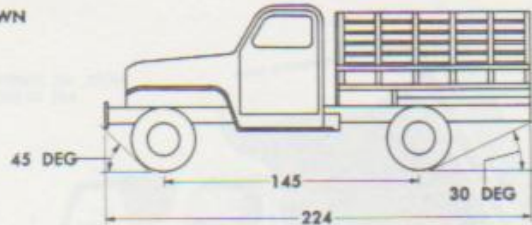
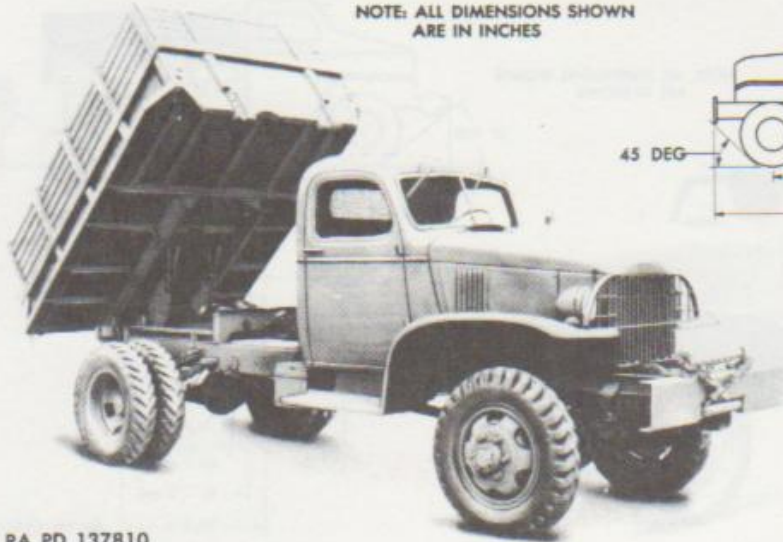
ADDITIONAL DATA

Live axles, type.....	hypoid, full-floating
Transmission, type.....	selective sliding-gear

TRUCK, DUMP, 1½-TON, 4 x 4

(Chevrolet, Models YP, G4112, 1941; ZP, G4152, 1941; NH, G7106, 1942)

NOTE: ALL DIMENSIONS SHOWN ARE IN INCHES



RA PD 137810

Classification: Substitute Standard.

Purpose: To haul and dump earth, sand, gravel, coal, etc. and transport general cargo.

GENERAL DATA

Crew	2
Weight (lb)	Net 8,365
Payload:	
Off highway	3,350; gross 11,715
On highway	4,600; gross 12,965
Axle load (lb):	
Empty	front 3,425; rear 4,940
Loaded:	
Off highway	front 3,835; rear 7,880
On highway	front 3,985; rear 8,980
Live-axle gear ratio	6.67:1
Tires:	
Ply 8	Size 7.50 x 20; Pressure (psi) front 55; rear 40
Tread, center-to-center, front	(in.) 60½
Shipping dimensions, uncrated	(cu ft) 970; (sq ft) 134
Vehicle dimensions:	
Ground clearance	(in.) 9¾
Loading height, empty	(in.) 48
Pintle height, loaded	(in.) 29
Body inside dimensions (in.):	
Length	108
Width	70
Height:	
Under bows	59
Side panel	14
Side rack	36½
Body cargo space	(cu ft) 258
Electrical system	(volts) 6
No. of batteries	1
Type of ground	negative
Fuel octane rating	70
Capacities:	
Fuel	(gal) 30
Cooling system	(qt) 17¼
Crankcase, refill	(qt) 5
Transmission w/power take-off	(qt) 3¼
Transfer	(qt) 2
Axles, each	(qt) 7

GENERAL DATA—Continued

Brakes:	
Manufacturer	Chevrolet; Type; hydraulic
Parking brake	type; transfer on ZP and NH; rear-wheel on YP
Transmission:	
Forward speeds	4
Gear ratio	High 1:1; Low 7.06:1; on early YP 7.23:1
Transfer:	
Speeds	2
Gear ratio	High 1:1; Low 1.94:1

PERFORMANCE

Computed grade ability in lowest gear, loaded	(percent) 65
Turning radius	(ft) 31
Fording depth	(in.) 29
Fuel consumption, loaded:	
W/towed load	(mpg) 6½
W/o towed load	(mpg) 9
Cruising range, loaded:	
W/towed load	(mi) 195
W/o towed load	(mi) 270
Allowable speed, governed	(mph) 48
Maximum recommended towed load, gross	(lb) 8,000

ENGINE

Manufacturer	Chevrolet	Model BV 1001 up
Type	Valve-in-head, 4-cycle; No. of cylinders (in line) 6	
Displacement	(cu. in.) 235.5	
Bore	(in.) 3½	
Stroke	(in.) 3½	
Compression ratio	6.62:1	
Governed speed	(rpm) 3,100	
Brake horsepower (max w/std accessories)	83 at (rpm) 3,100	
Torque (max)	184 lb-ft at (rpm) 1,000	

ADDITIONAL DATA

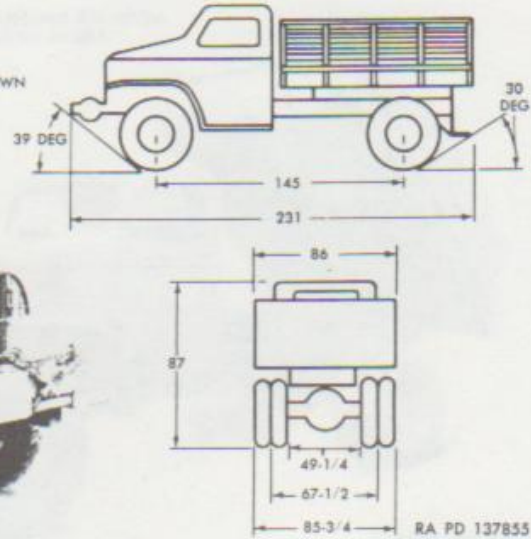
Live axles, type	hypoid, full-floating
Transmission, type	selective sliding gear

TRUCK, DUMP, 1½-TON, 4 x 4, W/WINCH

(Chevrolet, Models ZP, G4162, 1941; NL, G7116, 1942)



NOTE: ALL DIMENSIONS SHOWN
ARE IN INCHES



RA PD 137855

Technical Manuals: 9-805, 9-1765A, 9-1765B, 9-1825A; 9-1827B, 9-1829A; Supply Catalog: SNL G-506.

Classification: Substitute Standard.

Purpose: To transport and dump earth, sand, gravel, coal, etc., and to carry general cargo.

GENERAL DATA

Crew.....	2
Weight (lb).....	Net 9,010
Payload:	
Off highway.....	3,350; gross 12,360
On highway.....	3,900; gross 12,910
Live-axle gear ratio.....	6.67:1
Axle load (lb):	
Empty.....	front 4,040; rear 4,970
Loaded:	
Off highway.....	front 4,450; rear 7,910
On highway.....	front 4,520; rear 8,390
Tires:	
Ply 8.....	Size 7.50 x 20; Pressure (psi) front 55; rear 40
Tread, center-to-center, front.....	(in.) 60½
Shipping dimensions, uncrated.....	(cu ft) 1,000; (sq ft) 138
Vehicle dimensions:	
Ground clearance.....	(in.) 9½
Loading height, empty.....	(in.) 48
Pintle height, loaded.....	(in.) 29
Body inside dimensions (in.):	
Length.....	108
Width.....	70
Height:	
To roof bows.....	59
Side panels.....	14
Side rack.....	36½
Body cargo space.....	(cu ft) 258
Electrical system.....	(volts) 6
No. of batteries.....	1
Type of ground.....	negative
Fuel octane rating.....	70
Capacities:	
Fuel.....	(gal) 30
Cooling system.....	(qt) 17¼
Crankcase, refill.....	(qt) 5
Transmission w/power take-off.....	(qt) 5¼
Axles (each).....	(qt) 7
Winch:	
Oil capacity.....	(qt) 1¾
Load capacity.....	(lb) 10,000

GENERAL DATA—Continued

Brakes:	
Manufacturer.....	Chevrolet; Type; hydrovac
Parking brake, type.....	transfer
Transmission:	
Forward speeds.....	4
Gear ratio.....	High 1:1; Low 7.06:1
Transfer:	
Speeds.....	2
Gear ratio.....	High 1:1; Low 1.94:1

PERFORMANCE

Computed grade ability in lowest gear, loaded.....	(percent) 65
Turning radius.....	(ft) 31
Fording depth.....	(in.) 29
Fuel consumption, loaded:	
W/towed load.....	(mpg) 6½
W/o towed load.....	(mpg) 9
Cruising range, loaded:	
W/towed load.....	(mi) 195
W/o towed load.....	(mi) 270
Allowable speed, governed.....	(mph) 48
Maximum recommended towed load, gross.....	(lb) 8,000

ENGINE

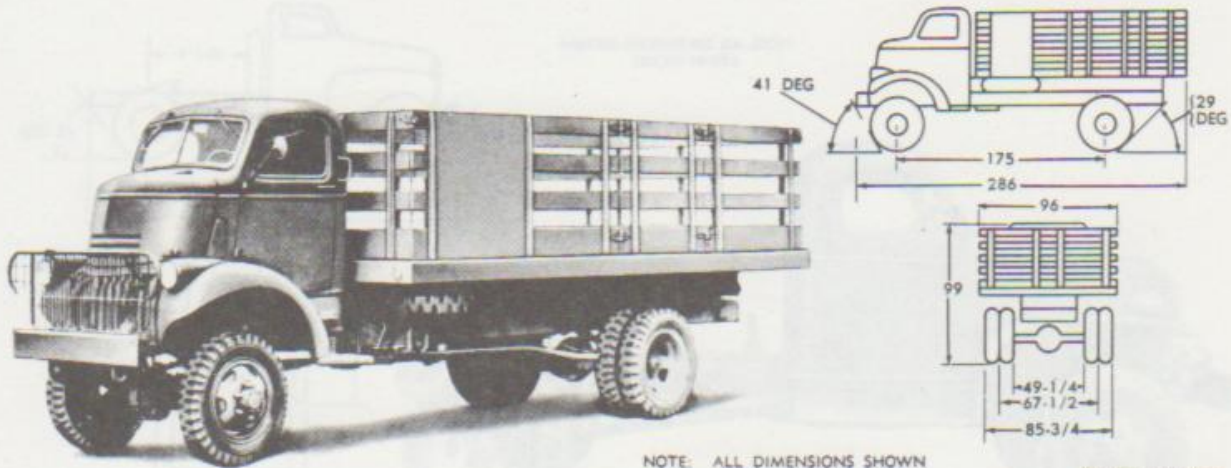
Manufacturer: Chevrolet.....	Model BV-1001 up
Type.....	Valve-in-head, 4-cycle; No. of cylinders (in line) 6
Displacement.....	(cu in.) 235.5
Bore.....	(in.) 3¾
Stroke.....	(in.) 3¼
Compression ratio.....	6.62:1
Governed speed.....	(rpm) 3,100
Brake horsepower (max w/std accessories).....	53 at (rpm) 3,100
Torque (max).....	184 lb-ft at (rpm) 1,000

ADDITIONAL DATA

Live axles, type.....	hypoid, full-floating
Transmission, type.....	selective sliding-gear

TRUCK, STAKE AND PLATFORM, 1½-TON, 4 x 4

(Chevrolet, Models YX, G4103, 1941; NN, G-7123, 1942-43, COE)



NOTE: ALL DIMENSIONS SHOWN ARE IN INCHES

RA PD 172693

Technical Manuals: 9-805, 9-1765A, 9-1765B, 9-1825A, 9-1827B; Supply Catalog: SNL G-306.

Classification: Limited Standard.

Purpose: To transport general cargo.

GENERAL DATA

Crew	2
Weight (lb)	Net 8,570
Payload:	
Off highway.....	3,350; gross 11,920
On highway.....	4,400; gross 12,970
Live-axle gear ratio	6.67:1
Axle load (lb):	
Empty.....	front 4,070; rear 4,500
Loaded:	
Off highway.....	front 4,775; rear 7,145
On highway.....	front 4,965; rear 7,975
Tires:	
Ply s.....	Size 7.50 x 20; Pressure (psi) front 55; rear 40
Tread, center-to-center, front.....	(in.) 60¼
Shipping dimensions, uncrated	(cu ft) 1,631; (sq ft) 198
Vehicle dimensions:	
Ground clearance.....	(in.) 9¾
Pintle height, loaded.....	(in.) 28½
Loading height.....	(in.) 52
Body inside dimensions (in.):	
Length.....	193; Width 80¼; Height 42
Body cargo space.....	(cu ft) 416
Electrical system	(volts) 6
No. of batteries.....	1
Type of ground.....	negative
Fuel octane rating	70
Capacities:	
Fuel.....	(gal) 30
Cooling system.....	(qt) 16
Crankcase, refill.....	(qt) 5
Transfer.....	(qt) 2
Transmission.....	(qt) 2¾
Axles (each).....	(qt) 7
Brakes:	
Manufacturer: Chevrolet.....	Type: hydrovac
Parking brake, type: transfer on NN.....	rear-wheel on YX

GENERAL DATA—Continued

Transmission:	
Forward speeds.....	4
Gear ratio.....	High 1:1; Low 7.06:1
Transfer:	
Speeds.....	2
Gear ratio.....	High 1:1; Low 1.94:1

PERFORMANCE

Computed grade ability in lowest gear, loaded	(percent) 65
Turning radius	(ft) 36¼
Fuel consumption, loaded:	
W/towed load.....	(mpg) 5¼
W/o towed load.....	(mpg) 8
Cruising range, loaded:	
W/towed load.....	(mi) 165
W/o towed load.....	(mi) 240
Fording depth	(in.) 29
Allowable speed, governed	(mph) 43
Maximum recommended towed load, gross	(lb) 8,000

ENGINE

Manufacturer: Chevrolet.....	Model BVA-1061 up
Type	Valve-in-head, 4-cycle; No. of cylinders (in line) 6
Displacement	(cu in.) 235.5
Bore	(in.) 3¾
Stroke	(in.) 3¾
Compression ratio	6.62:1
Governed speed	(rpm) 2,850
Brake horsepower (max w/std accessories)	82 at (rpm) 3,000
Torque (max)	183 lb-ft at (rpm) 1,000

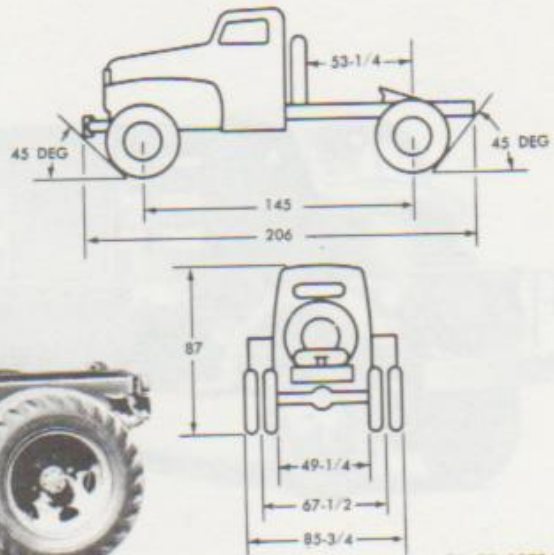
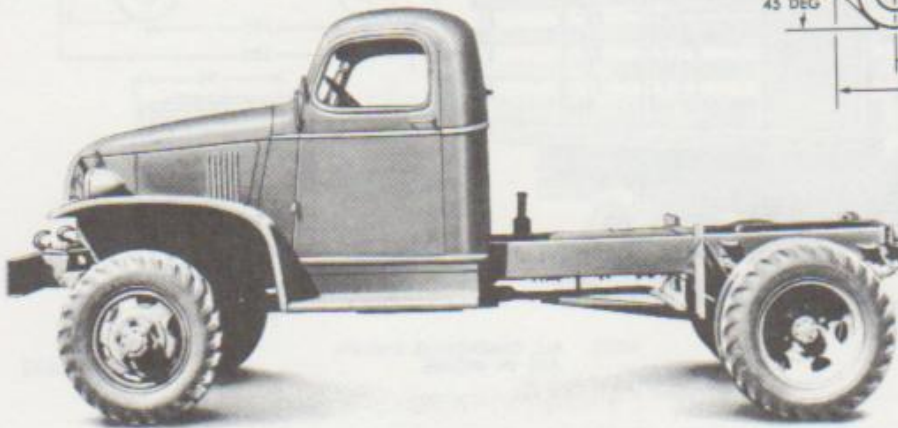
ADDITIONAL DATA

Gas-tank filler neck extends ¾ in. beyond over-all width.	
Live axles, type	hypoid, full-floating
Transmission, type	selective sliding-gear

TRUCK, TRACTOR, 1½-TON, 4 x 4

(Chevrolet, Model NK, G7113, 1942)

NOTE: ALL DIMENSIONS SHOWN ARE IN INCHES



RA PD 137841

Technical Manuals: 9-805, 9-1765A, 9-1765B, 9-1825A, 9-1827B; Supply Catalog: SNL G-506.

Classification: Standard.

GENERAL DATA

Crew.....	2
Weight (lb).....	Net 6,140
Payload.....	off highway 4,830; on highway 6,845
Gross.....	off highway 10,970; on highway 12,985
Live-axle gear ratio.....	6.67:1
Axle load (lb):	
Empty.....	front 3,255; rear 2,905
Loaded:	
Off highway.....	front 3,510; rear 7,480
On highway.....	front 3,605; rear 9,400
Tires:	
Ply 8.....	Size 7.50 x 20; Pressure (psi) front 55; rear 40
Tread, center-to-center, front.....	(in.) 60½
Shipping dimensions, uncrated.....	(cu ft) 890; (sq ft) 123
Vehicle dimensions:	
Ground clearance.....	(in.) 9½
Pintle height, empty.....	(in.) 30
Center of fifth wheel to center of rear axle.....	(in.) 37½
Height to center of fifth wheel.....	(in.) 42
Height to rear of fifth wheel.....	(in.) 35
Electrical system.....	(volts) 6
No. of batteries.....	1
Type of ground.....	negative
Fuel octane rating.....	70
Capacities:	
Fuel.....	(gal) 30
Cooling system.....	(qt) 17¼
Crankcase, refill.....	(qt) 5
Transfer.....	(qt) 2
Transmission.....	(qt) 2¾
Axles (each).....	(qt) 7
Brakes:	
Manufacturer.....	Chevrolet; Type; hydrovac
Parking brake, type.....	transfer

Purpose: To tow semitrailers.

GENERAL DATA—Continued

Transmission:	
Forward speeds.....	4
Gear ratio.....	High 1:1; Low 7.06:1
Transfer:	
Speeds.....	2
Gear ratio.....	High 1:1; Low 1.941:1

PERFORMANCE

Computed grade ability in lowest gear, loaded.....	(percent) 65
Turning radius.....	(ft) 31
Fuel consumption:	
W/towed load.....	(mpg) 6
W/o towed load.....	(mpg) 9
Cruising range:	
W/towed load.....	(mi) 180
W/o towed load.....	(mi) 270
Fording depth.....	(in.) 29
Allowable speed, governed.....	(mph) 45
Maximum semitrailer, gross.....	(lb) 12,000

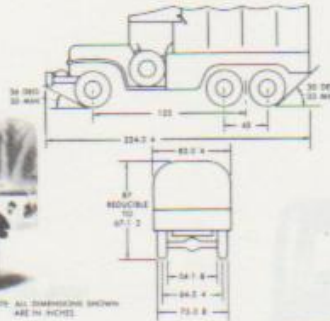
ENGINE

Manufacturer.....	Chevrolet; Model BV-1001 up
Type.....	Valve-in-head, 4-cycle; No. of cylinders (in line) 6
Displacement.....	(cu in.) 235.5
Bore.....	(in.) 3¾
Stroke.....	(in.) 3½
Compression ratio.....	6.62:1
Governed speed.....	(rpm) 3,100
Brake horsepower (max w/std accessories).....	83 at (rpm) 3,100
Torque (max).....	184 lb-ft at (rpm) 1,000

ADDITIONAL DATA

Live Axles, type.....	hypoid, full-floating
Transmission, type.....	selective sliding-gear

TRUCK, PERSONNEL AND CARGO, 1½-TON, 6 x 6 (Dodge, Models WC62 and WC63, T223, 1943)



SA-PC (2722)

Technical Manuals: 9-810, 9-1808A, 9-1808B, 9-1825A, 9-1826A, 9-1826C; Supply Catalog: SNL G-507.

Vehicle illustrated: Model WC63, T223, 1943.
Classification: Standard.

Purpose: To transport personnel and general cargo.

GENERAL DATA

Crew	2; Passengers (including crew) 17
Weight (lb)	Net 7,550
Payload:	
Off highway	gross 10,850
On highway	gross 12,450
Live-axle gear ratio	5.83:1
Axle load (lb):	
Empty	front 3,314; rear (each) 2,118
Loaded:	
Off highway	front 3,414; rear (each) 3,718
On highway	front 3,460; rear (each) 4,495
Tires:	
Ply 8	Size 9.00 x 16; Pressure (psi) 40
Tread, center-to-center, front	(in.) 64¾
Shipping dimensions, uncrated:	
W/winch	(cu ft) 937; (sq ft) 130
W/o winch	(cu ft) 895; (sq ft) 124
Vehicle dimensions:	
Ground clearance	(in.) 16½
Loading height, empty	(in.) 31
Pintle height:	
Loaded	(in.) 27
Empty	(in.) 28
Body inside dimensions (in.):	
Length	120
Width	48½
Height, under bows	54
Body cargo space	(cu ft) 181
Electrical system	(volts) 6
No. of batteries	1
Type of ground	negative
Fuel octane rating	70
Capacities:	
Fuel	(gal) 30
Cooling system	(qt) 17
Crankcase, refill	(qt) 5
Transfer	(qt) 2½
Transmission (qt):	
W/power take-off	3½
W/o power take-off	2¾
Axles (each)	(qt) 2½
Winch:	
Oil capacity	(qt) 1
Load capacity	(lb) 7,500
Brakes:	
Manufacturer: Dodge	Type: hydraulic
Parking brake, type	transfer

GENERAL DATA—Continued

Transmission:	
Forward speeds	4
Gear ratio	High 1:1; Low 6.40:1
Transfer:	
Speeds	2
Gear ratio	High 1:1; * Low 1.50:1

PERFORMANCE

Computed grade ability in lowest gear, loaded	(percent) ^b 55
Turning radius	(ft) 27
Fording depth	(in.) 24
Fuel consumption, loaded	(mpg) 8
Cruising range, loaded	(mi) 240
Allowable speed, governed	(mph) 50
Maximum recommended towed load, gross	(lb) 8,000

ENGINE

Manufacturer: Dodge	Model T-223
Type	L-head, 4-cycle; No. of cylinders (in line) 6
Displacement	(cu in.) 230.2
Bore	(in.) 3¼
Stroke	(in.) 4½
Compression ratio	6.7:1
Governed speed	(rpm) 3,200
Brake horsepower (max w/std accessories)	76 at (rpm) 3,200
Torque (max w/std accessories)	180 lb-ft at (rpm) 1,200

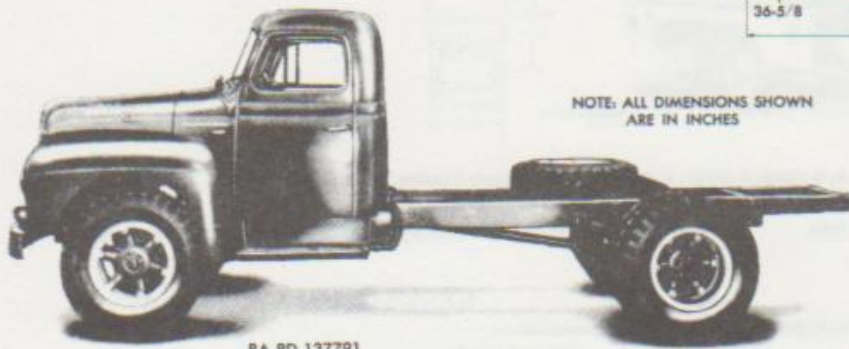
ADDITIONAL DATA

Data given for Model WC63 w/winch; for Model WC62 w/o winch changes in data are as follows:

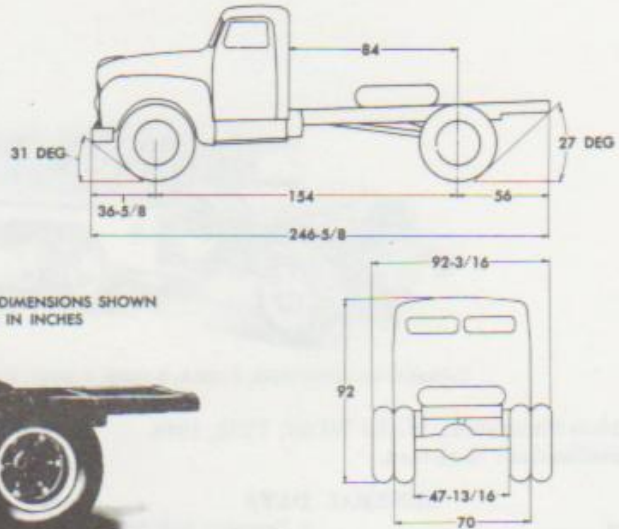
Over-all length	(in.) 215
Weight (lb):	
Net	7,250
Gross:	
Off highway	10,550
On highway	12,450
Axle load (lb):	
Empty	front 2,970; rear (each) 2,140
Loaded:	
Off highway	front 3,070; rear (each) 3,740
On highway	front 3,130; rear (each) 4,660
Live Axles, type	hypoid, full-floating
Transmission, type	selective sliding-gear

* 1.96:1 on last production.
* 57 percent w/1.96:1 ratio in transfer.

TRUCK, CHASSIS, 2½-TON, 4 x 2 (International Harvester, Model L-171)



RA PD 137791



NOTE: ALL DIMENSIONS SHOWN ARE IN INCHES

Classification: Standard.

Purpose: To be used as component of general-purpose or special-equipment truck.

GENERAL DATA

Crew	1
Weight (lb)	Net 6,080; Maximum gross 17,500
Rear-axle gear ratio (two-speed)	High 6.33:1; Low 8.81:1
Axle load (lb)	Front 3,445; Rear 2,635
Tires:	
Ply 10	Size 9.00 x 20; Pressure (psi) 65
Tread, center-to-center, front	(in.) 64½
Shipping dimensions uncrated	(cu ft) 1,210; (sq ft) 157
Ground clearance	(in.) 10¾
Electrical system:	
No. of batteries	1
Type of ground	negative
Fuel octane rating	72
Capacities:	
Fuel	(gal) 20
Cooling system	(qt) 21
Crankcase, refill	(qt) 7
Transmission	(qt) 5¾
Rear axle	(qt) 5¾
Brakes:	
Manufacturer	Wagner; Type; hydraulic
Parking brake, type	transmission
Transmission:	
Forward speeds	5
Gear ratio	High 1:1; Fourth 1.42:1; Low 7.35:1

PERFORMANCE

Computed grade ability in lowest gear, loaded	(percent) 42
Turning radius	(ft) 27¼
Fording depth	(in.) 25
Fuel consumption, loaded	(mpg) 5½
Cruising range, loaded	(mi) 110
Allowable speed, governed	(mph) 53

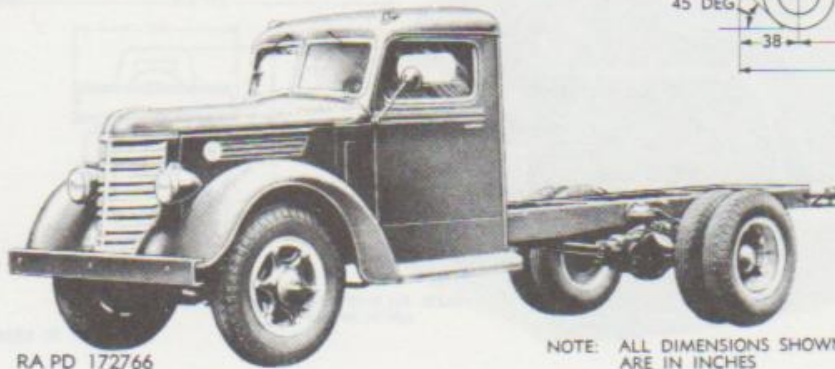
ENGINE

Manufacturer: International Harvester	Model BD-269
Type	Valve-in-head, 4-cycle; No. of cylinders (in line) 6
Displacement	(cu in.) 269.1
Bore	(in.) 3¾
Stroke	(in.) 4¼
Compression ratio	6.3:1
Governed speed	(rpm) 3,000
Brake horsepower (max w/std accessories)	.88 at (rpm) 2,800
Torque (max)	216 lb-ft at (rpm) 1,000

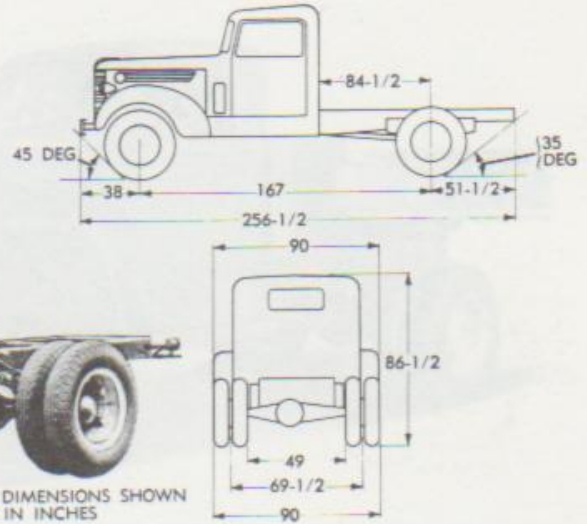
ADDITIONAL DATA

Rear Axle, type	two-speed spiral-bevel, full-floating
Transmission, type	synchromesh

TRUCK, CHASSIS, 2½-TON, 4 x 2 AND TRUCK, TRACTOR, 2½-TON, 4 x 2 (Federal, Model 25M2)



RA PD 172766



NOTE: ALL DIMENSIONS SHOWN ARE IN INCHES

Vehicle illustrated: Chassis.
Classification: Standard.

Purpose: Chassis; to be used as component of general-purpose or special equipment-vehicle. Tractor; to tow semitrailers.

GENERAL DATA

Crew.....	2
Weight (lb).....	Net 5,745
Maximum gross.....	(lb) 16,500
Rear-axle gear ratio.....	8.15:1
Axle load (lb):	
Empty.....	front 3,050; rear 2,995
Loaded.....	front 4,000; rear 12,500
Tires:	
Ply 12.....	Size 9.00 x 20; Pressure (psi) 65
Tread, center-to-center, front.....	(in.) 63¼
Shipping dimensions, uncrated.....	(cu ft) 1,150; (sq ft) 159
Vehicle dimensions:	
Ground clearance.....	(in.) 10½
Frame height.....	(in.) 32
Electrical system.....	(volts) 6
No. of batteries.....	1
Type of ground.....	positive
Fuel octane rating.....	72
Capacities:	
Fuel.....	(gal) 26
Cooling system.....	(qt) 23
Crankcase, refill.....	(qt) 9
Transmission.....	(qt) 6½
Rear axle.....	(qt) 10
Brakes:	
Manufacturer:	
Front.....	Lockheed; Type; hydrovac
Rear.....	Timken
Parking brake, type.....	transmission
Transmission:	
Forward speeds.....	5
Gear ratio.....	High 1:1; Fourth 1.48:1; Low 7.58:1

PERFORMANCE

Computed grade ability in lowest gear w/maximum load.....	(percent) 34
Turning radius.....	(ft) 31
Fuel consumption, loaded.....	(mpg) 6
Cruising range, loaded.....	(mi) 156
Allowable speed, governed.....	(mph) 50

ENGINE

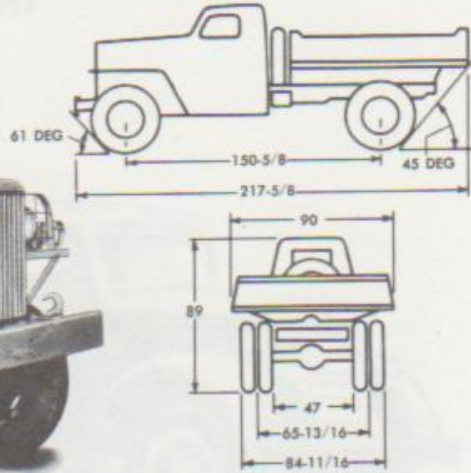
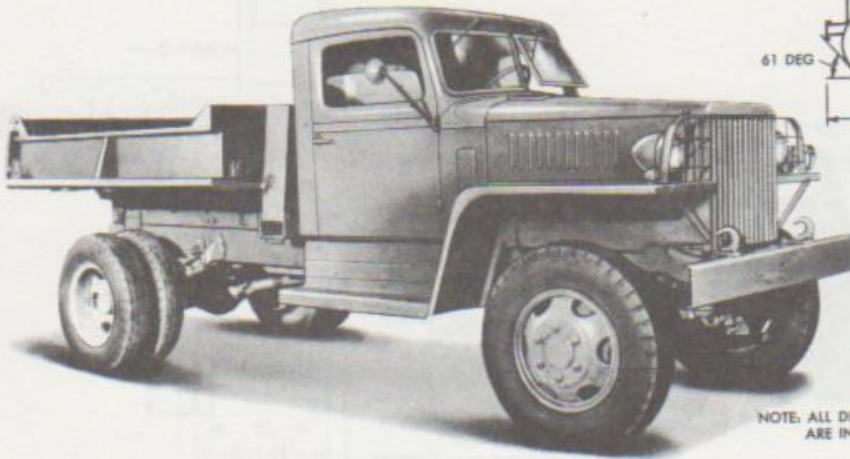
Manufacturer: Hercules.....	Model 5XCF
Type.....	4-cycle, L-head; No. of cylinders (in line) 6
Displacement.....	(cu in.) 282
Bore.....	(in.) 3¼
Stroke.....	(in.) 4¼
Compression ratio.....	6.5:1
Governed speed.....	(rpm) 3,000
Brake horsepower (max w/std accessories).....	102 at (rpm) 3,000
Torque (max w/std accessories).....	212 lb-ft at (rpm) 1,400

ADDITIONAL DATA

Rear axle, type.....	hypoid, full-floating
Transmission, type.....	constant-mesh
Data given for chassis; changes in data for tractor truck are as follows:	
Over-all length.....	(in.) 200
Shipping dimensions, uncrated.....	(cu ft) 900; (sq ft) 125
Brakes:	
Service: Manufacturer; Bendix-Westinghouse.....	Type; air
Maximum semitrailer, gross.....	(lb) 25,000
Maximum computed grade ability in lowest gear w/loaded semitrailer.....	(percent) 14
Wheel base.....	(in.) 139
Chassis overhang, rear.....	(in.) 23
Distance from rear of cab to center of rear axle.....	(in.) 60½
Height to center of fifth wheel, empty.....	(in.) 39
Height to rear of fifth wheel, empty.....	(in.) 33
Fifth wheel mounted forward of rear axle.....	(in.) 3

TRUCK, DUMP, 2½-TON, 4 x 2

(Federal, Model 2G)



NOTE: ALL DIMENSIONS SHOWN ARE IN INCHES

RA PD 172632

Technical Manuals: 9-821, 9-1821, 9-1825B, 9-1826A, 9-1827B, 9-1827C, 9-1828A, 9-1829A, 9-1832A; Supply Catalog: SNL G-539

Classification: Standard.

Purpose: To transport and dump earth, sand, gravel, etc, and to transport general cargo.

GENERAL DATA

Crew.....	2
Weight (lb):	
Net.....	7,975
Payload.....	Off highway 5,000; on highway 7,525
Gross.....	Off highway 12,975; on highway 15,500
Rear-axle gear ratio.....	7.4:1
Axle load (lb):	
Empty.....	front 3,425; rear 4,550
Loaded:	
Off highway.....	front 3,830; rear 9,145
On highway.....	front 4,130; rear 11,370
Tires:	
Ply 10.....	Size 8.25 x 20; Pressure (psi) 60
Tread, center-to-center, front.....	(in.) 63½
Shipping dimensions, uncrated.....	(cu ft) 1,010; (sq ft) 137
Vehicle dimensions:	
Ground clearance.....	(in.) 9¾
Pintle height, loaded.....	(in.) 31
Body inside dimensions (in.):	
Length.....	96
Struck capacity.....	(cu yd) 2
Electrical system.....	(volts) 6
No. of batteries.....	1
Fuel octane rating.....	72
Capacities:	
Fuel.....	(gal) 40
Cooling system.....	(qt) 22
Crankcase, refill.....	(qt) 6
Transmission.....	(qt) 7
Rear axle.....	(qt) 7½
Brakes:	
Manufacturer.....	Timken-Bendix; Type; hydraulic
Parking brake, type.....	transmission
Transmission:	
Speeds.....	5
Gear ratio.....	High 0.799:1; Fourth 1:1; Low 6.06:1

PERFORMANCE

Computed grade ability in lowest gear, loaded.....	(percent) 43
Turning radius.....	(ft) 25
Fording depth.....	(in.) 24
Fuel consumption, loaded.....	(mpg) 6¼
Cruising range, loaded.....	(mi) 250
Allowable speed, governed.....	(mph) 51
Maximum recommended towed load:	
Off highway, gross.....	(lb) 4,500
On highway, gross.....	(lb) 7,500

ENGINE

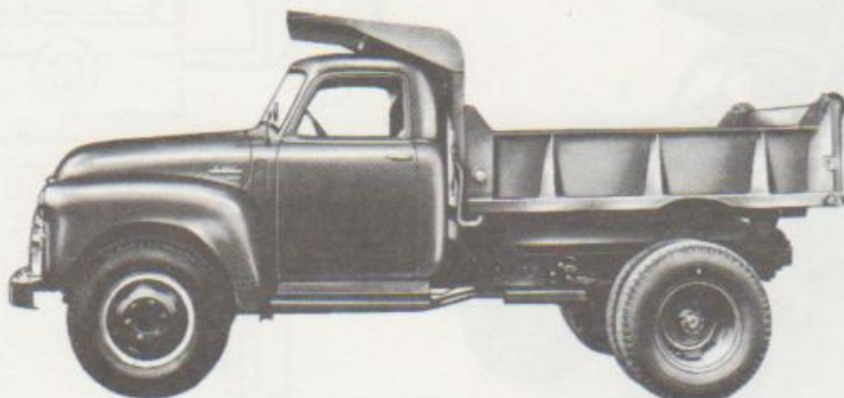
Manufacturer: Hercules.....	Model JXD
Type.....	4-cycle, L-head; No. of cylinders (in line) 6
Displacement.....	(cu in.) 230
Bore.....	(in.) 4
Stroke.....	(in.) 4¼
Compression ratio.....	5.9:1
Governed speed.....	(rpm) 2,800
Brake horsepower (max w/std accessories).....	86 at (rpm) 2,400
Torque (max w/std accessories).....	228 lb-ft at (rpm) 1,200

ADDITIONAL DATA

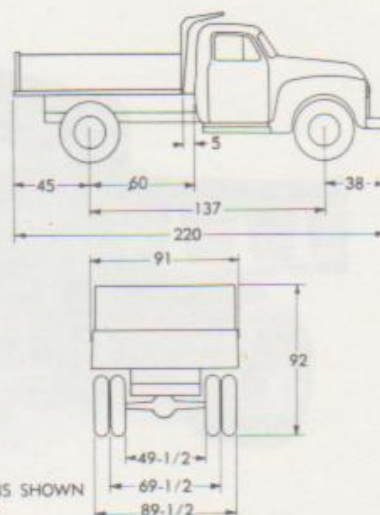
Rear Axle, type.....	spiral-bevel, full-floating
Transmission, type.....	selective sliding-gear

TRUCK, DUMP, 2½-TON, 4 x 2

(GMC, Model HC-451)



RA PD 172749



NOTE: ALL DIMENSIONS SHOWN ARE IN INCHES

Classification: Standard.

Purpose: To transport and dump earth, sand, gravel, etc, and to transport general cargo.

GENERAL DATA

Crew	2
Weight (lb)	Net 8,135
Payload	Off highway 5,000; on highway 9,865
Gross	Off highway 13,135; on highway 18,000
Rear-axle gear ratio (two-speed)	High 6.50:1; Low 9.04:1
Axle load (lb):	
Empty	front 3,170; rear 4,965
Loaded:	
Off highway	front 3,445; rear 9,690
On highway	front 3,720; rear 14,280
Tires:	
Ply 10	Size 9.00 x 20; Pressure (psi) 65
Tread, center-to-center, front	(in.) 61¾
Shipping dimensions, uncreated	(cu ft) 1,070; (sq ft) 139
Vehicle dimensions:	
Ground clearance	(in.) 9
Body inside dimensions (in.):	
Length	96; Width 78; Height 17
Struck capacity	(cu yds) 2½
Electrical system	(volts) 6
No. of batteries	1
Type of ground	negative
Fuel octane rating	72
Capacities:	
Fuel	(gal) 17½
Cooling system	(qt) 18
Crankcase, refill	(qt) 10½
Transmission	(qt) 6
Rear axle	(qt) 10
Brakes:	
Manufacturer	GMC; Type; hydrovac
Parking brake, type	transmission
Transmission:	
Forward speeds	5
Gear ratio	High 1:1; Fourth 1.72:1; Low 7.58:1

PERFORMANCE

Computed grade ability in lowest gear w/off-highway load	(percent) 45
Turning radius	(ft) 25
Fording depth	(in.) 28
Fuel consumption, loaded	(mpg) 7½
Cruising range, loaded	(mi) 130
Allowable speed, governed	(mph) 55

ENGINE

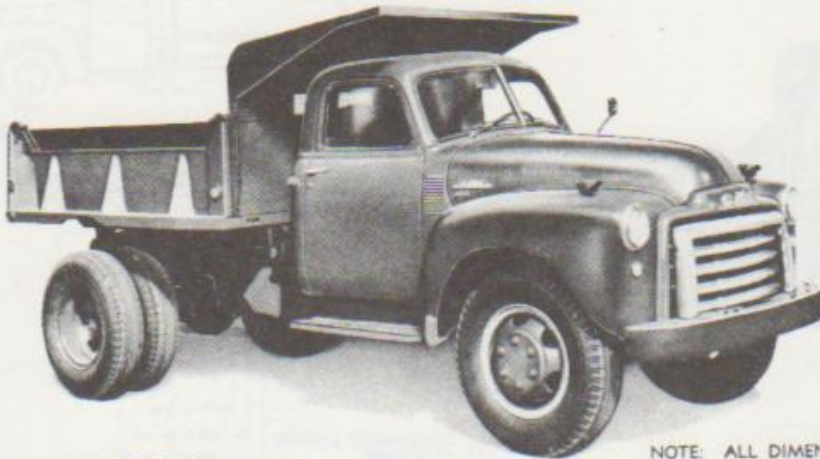
Manufacturer: GMC	Model 270
Type	4-cycle, valve-in-head; No. of cylinders (in line) 6
Displacement	(cu. in.) 269.5
Bore	(in.) 3¾
Stroke	(in.) 4
Compression ratio	7.2:1
Governed speed	(rpm) 3,200
Brake horsepower (max w/std accessories)	115 at (rpm) 3,200
Torque (max w/std accessories)	226 lb-ft at (rpm) 2,000

ADDITIONAL DATA

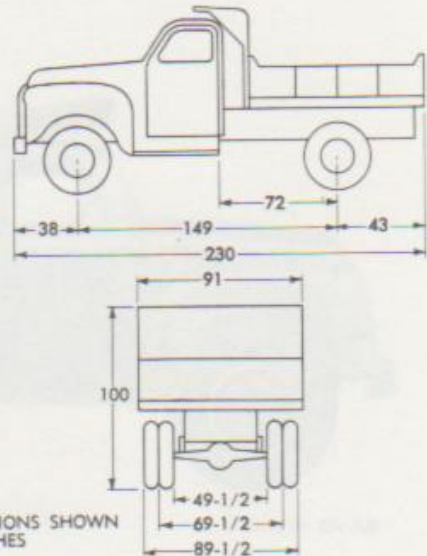
Rear axle, type	two-speed, full-floating
Transmission, type	constant-mesh

TRUCK, DUMP, 2½-TON, 4 x 2

(GMC, Model HC-452, 1950)



RA PD 172716



NOTE: ALL DIMENSIONS SHOWN ARE IN INCHES

Classification: Standard.

Purpose: To transport and dump earth, sand, gravel, coal, etc., and to carry general cargo.

GENERAL DATA

Crew.....	2
Weight (lb).....	Net 8,371
Payload.....	Off highway 5,000; on highway 9,629
Gross.....	Off highway 13,371; on highway 18,000
Rear-axle gear ratios (2-speed).....	High 6.50:1; Low 9.04:1
Axle load (lb):	
Empty.....	front 3,298; rear 5,073
Loaded:	
Off highway.....	front 3,618; rear 9,753
On highway.....	front 4,000; rear 14,000
Tires:	
Ply 10.....	Size 9.00 x 20; Pressure (psi) 65
Tread, center-to-center, front.....	(in.) 61¾
Shipping dimensions, uncrated.....	(cu ft) 1,210; (sq ft) 145
Vehicle dimensions:	
Ground clearance.....	(in.) 7
Pintle height, empty.....	(in.) 27
Body inside dimensions:	
Length.....	96; Width 72; Height 17
Cargo space.....	(cu ft) 68
Struck capacity.....	(cu yds) 2½
Electrical system.....	(volts) 6
No. of batteries.....	1
Type of ground.....	negative
Fuel octane rating.....	72
Capacities:	
Fuel.....	(gal) 17½
Cooling system.....	(qt) 18
Crankcase, refill.....	(qt) 10½
Transmission.....	(qt) 6
Rear axle.....	(qt) 10
Brakes:	
Manufacturer.....	GMC; Type; hydrovac
Parking brake, type.....	transmission
Transmission:	
Forward speeds.....	5
Gear ratio.....	High 1:1; Fourth 1.72:1; Low 7.58:1

PERFORMANCE

Computed grade ability in lowest gear w/off highway load.....	(percent) 58
Turning radius.....	(ft) 25
Fording depth.....	(in.) 26
Fuel consumption, loaded.....	(mpg) 7½
Cruising range, loaded.....	(mi) 130
Allowable speed, governed.....	(mph) 55
Maximum pintle to w:	
Off highway gross (lb).....	10,000
On highway gross (lb).....	5,000

ENGINE

Manufacturer: GMC.....	Model 270
Type.....	4-cycle, valve-in-head; No. of cylinders (in line) 6
Displacement.....	(cu in.) 270
Bore.....	(in.) 3¾
Stroke.....	(in.) 4
Compression ratio.....	7.2:1
Governed speed.....	(rpm) 3,200
Brake horsepower (max w/std accessories).....	115 at (rpm) 3,200
Torque (max w/std accessories).....	226 lb-ft at (rpm) 2,000

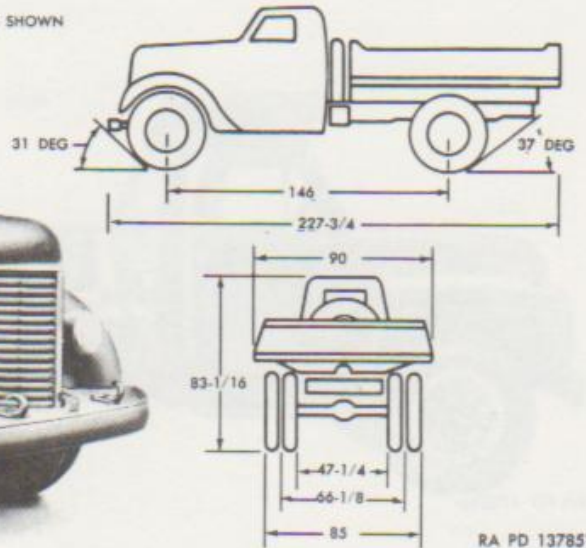
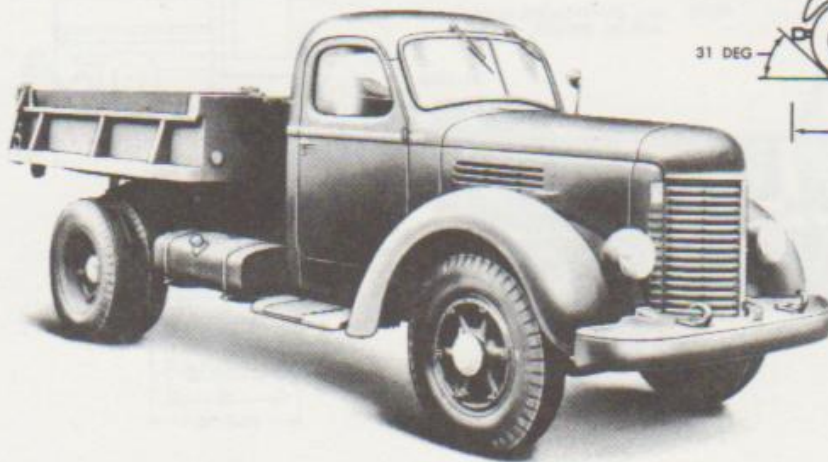
ADDITIONAL DATA

Rear Axle, type.....	two-speed, spiral-bevel, full-floating
Transmission type.....	synchromesh

TRUCK, DUMP, 2½-TON, 4 x 2

(International Harvester, Model K7, 1942-43)

NOTE: ALL DIMENSIONS SHOWN ARE IN INCHES



RA PD 137851

Technical Manuals: 9-822, 9-1822, 9-1825A, 9-1827B, 9-1827C, 9-1828A; Supply Catalog: SNL G-541.

Classification: Standard.

Purpose: To haul and dump earth, sand, gravel, etc., and to transport general cargo.

GENERAL DATA

Crew.....	2
Weight (lb).....	Net 7,800
Payload:	
Off highway.....	5,000; gross 12,800
On highway.....	7,600; gross 15,450
Rear-axle gear ratio.....	7.16:1
Axle load (lb):	
Empty.....	front 3,565; rear 4,285
Loaded:	
Off highway.....	front 3,600; rear 9,250
On highway.....	front 3,620; rear 11,830
Tires:	
Ply 10.....	Size 8.25 x 20; Pressure (psi) 60
Tread, center-to-center, front.....	(in.) 65½
Shipping dimensions, uncrated.....	(cu ft) 989; (sq ft) 143
Vehicle dimensions:	
Ground clearance.....	(in.) 10¾
Loading height, empty.....	(in.) 45¾
Pintle height, loaded.....	(in.) 27¾
Body inside dimensions (in.):	
Length.....	96; Width 78; Height 12
Struck capacity.....	(cu yd) 1.93
Electrical system.....	(volts) 6
No. of batteries.....	1
Type of ground.....	negative
Fuel octane rating.....	72
Capacities:	
Fuel.....	(gal) 31
Cooling system.....	(qt) 23½
Crankcase.....	(qt) 6½
Transmission, w/power take-off.....	(qt) 6
Rear axle.....	(qt) 3½
Brakes:	
Manufacturer; Wagner.....	Type; hydraulic-vacuum
Parking brake, type.....	transmission
Transmission:	
Forward speeds.....	5
Gear ratio.....	High 0.823:1; Fourth 1:1; Low 6.825:1

PERFORMANCE

Computed grade ability in lowest gear, loaded.....	(percent) 43
Turning radius.....	(ft) 25¾
Fording depth.....	(in.) 30¾
Fuel consumption, loaded.....	(mpg) 9¼
Cruising range, loaded.....	(mi) 290
Allowable speed, governed.....	(mph) 55
Maximum recommended towed load, gross.....	(lb) 10,000

ENGINE

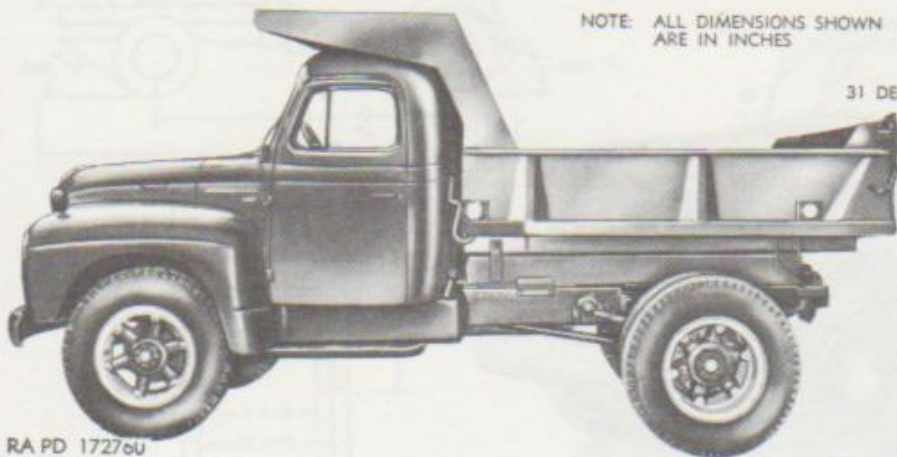
Manufacturer: IHC.....	Model, BLD-269
Type.....	Valve-in-head, 4-cycle; No. of cylinders (in line) 6
Displacement.....	(cu in.) 269.1
Bore.....	(in.) 3¾
Stroke.....	(in.) 4¾
Compression ratio.....	6.3:1
Governed speed.....	(rpm) 3,000
Brake horsepower (max w/std accessories).....	.88 at (rpm) 2,800
Torque (max).....	216 lb-ft at (rpm) 1,000

ADDITIONAL DATA

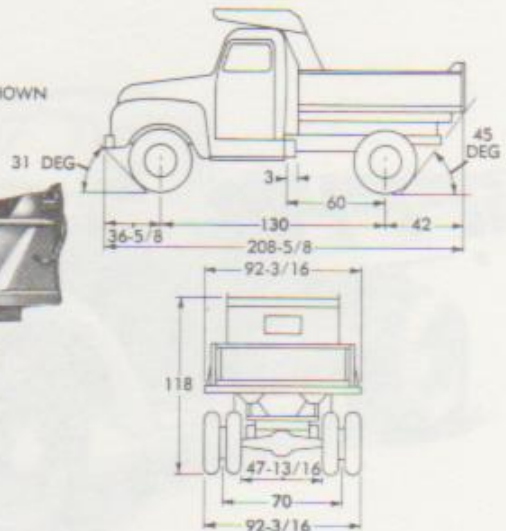
Rear Axle, type.....	spiral-bevel, full-floating
Transmission, type.....	selective sliding-gear

TRUCK, DUMP, 2½-TON, 4 x 2

(International Harvester, Model L-171)



NOTE: ALL DIMENSIONS SHOWN ARE IN INCHES



Classification: Standard.

Purpose: To haul and dump earth, sand, gravel, coal, etc, and to transport general cargo.

GENERAL DATA

Crew	2
Weight (lb)	Net 8,630
Payload	Off highway 5,000; on highway 9,070
Gross	Off highway 13,630; on highway 17,700
Rear-axle gear ratio (2-speed)	High 6.166:1; Low 8.577:1
Axle load (lb):	
Empty	front 3,755; rear 4,875
Loaded:	
Off highway	front 4,205; rear 9,425
On highway	front 4,575; rear 13,125
Tires:	
Ply 10	Size 9.00 x 20; Pressure (psi) 65
Tread, center-to-center, front	(in.) 64½
Shipping dimensions, uncrated	(cu ft) 1,320; (sq ft) 134
Vehicle dimensions:	
Ground clearance	(in.) 10
Body inside dimensions (in.):	
Length	96; Width 78; Height 17
Struck capacity	(cu yds) 2½
Electrical system	(volts) 6
No. of batteries	1
Type of ground	positive
Fuel octane rating	72
Capacities:	
Fuel	(gal) 21
Cooling system	(qt) 21½
Crankcase, refill	(qt) 7
Transmission	(qt) 6
Rear axle	(qt) 7½
Brakes:	
Manufacturer	Bendix-Wagner; Type; hydrovac
Parking brake, type	transmission
Transmission:	
Forward speeds	5
Gear ratio	High 1:1; Fourth 1.42:1; Low 7.35:1

PERFORMANCE

Computed grade ability in lowest gear w/off-highway load	(percent) 52
Turning radius	(ft) 24
Fording depth	(in.) 25
Fuel consumption, loaded	(mpg) 5½
Cruising range, loaded	(mi) 115
Allowable speed, governed	(mph) 50

ENGINE

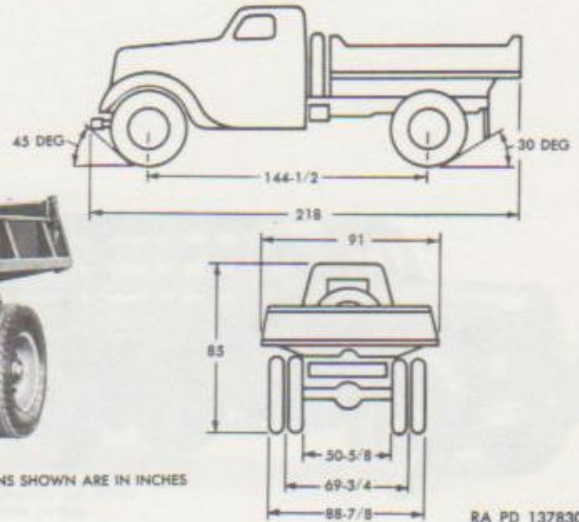
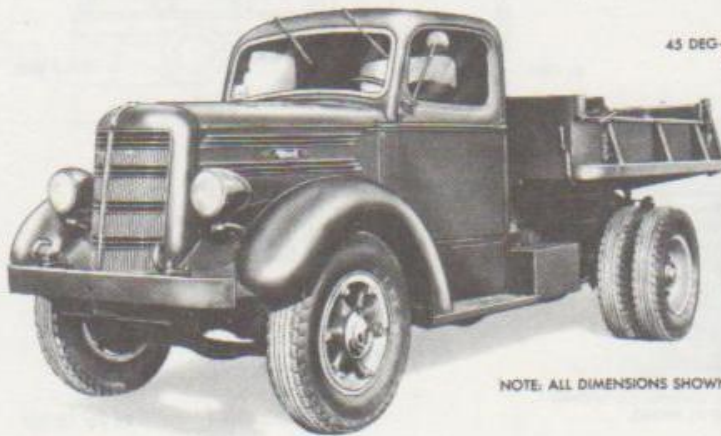
Manufacturer: IHC	Model BD-269
Type	4-cycle, valve-in-head; No. of cylinders (in line) 6
Displacement	(cu in.) 269
Bore	(in.) 3½
Stroke	(in.) 4½
Compression ratio	6.3:1
Governed speed	(rpm) 2,800
Brake horsepower (max w/std accessories)	89 at (rpm) 2,800
Torque (max w/std accessories)	217 lb-ft at (rpm) 1,000

ADDITIONAL DATA

Rear axle, type	2-speed, full-floating
Transmission, type	synchromesh
Dump bodies as follows: Daybrook, Model A54 w/model 7-DLH hoist; Anthony Model D-6 w/model 620-7 in hoist; Galion Model 12 w/model GS-367-A hoist.	

TRUCK, DUMP, 2 1/2-TON, 4 x 2

(Mack, Model EES, 1940)



NOTE: ALL DIMENSIONS SHOWN ARE IN INCHES

RA PD 137830

Supply Catalog: SNL G-634.

Classification: Nonclassified.

Purpose: To haul and dump earth, sand, gravel, coal, etc.

GENERAL DATA

Crew.....	2
Weight (lb).....	Net 8,450
Payload:	
Off highway.....	5,000; gross 13,450
On highway.....	7,000; gross 15,450
Axle load (lb):	
Empty.....	front 3,585; rear 4,865
Loaded:	
Off highway.....	front 4,120; rear 9,330
On highway.....	front 4,335; rear 11,115
Tires:	
Ply 10; Size 8.25 x 20; Pressure.....	(psi) 60
Tread, center-to-center, front.....	(in.) 63
Shipping dimensions, uncrated.....	(cu ft) 978; (sq ft) 138
Vehicle dimensions:	
Loading height, empty.....	(in.) 32 1/4
Ground clearance.....	(in.) 9
Pintle height, loaded.....	(in.) 25
Body inside dimensions (in.):	
Length.....	96
Width.....	75
Height.....	12
Struck capacity.....	(cu yd) 1.93
Electrical system.....	(volts) 6
No. of batteries.....	1
Type of ground.....	positive
Fuel octane rating.....	70
Capacities:	
Fuel.....	(gal) 24
Cooling system.....	(qt) 28
Crankcase, refill.....	(qt) 13
Transmission w/PTO.....	(qt) 6
Rear axle.....	(qt) 13

GENERAL DATA—Continued

Brakes:	
Manufacturer: Wagner.....	Type: hydraulic
Parking brake, type.....	transmission
Transmission:	
Forward speeds.....	5
Gear ratio.....	High 1:1; Fourth 1.41:1; Low 7.53:1

PERFORMANCE

Computed grade ability in lowest gear, loaded.....	(percent) 45
Turning radius (ft).....	Right 27 1/4; Left 29
Fording depth.....	(in.) 38 1/4
Fuel consumption, loaded.....	(mpg) 7
Cruising range, loaded.....	(mi) 168
Allowable speed, governed.....	(mph) 45
Maximum recommended towed load, gross.....	(lb) 10,000

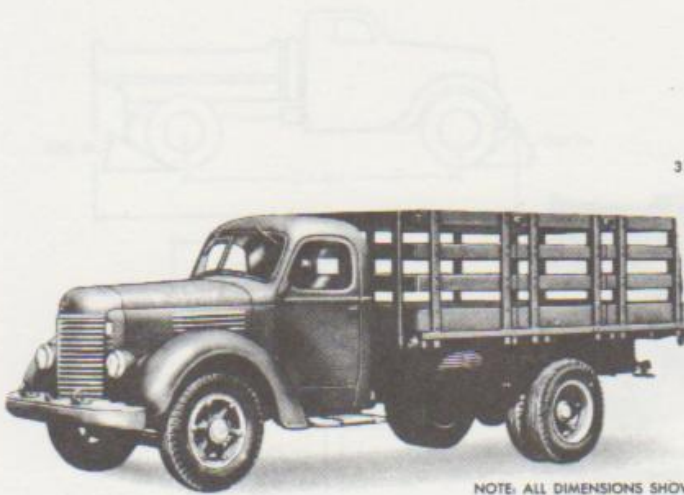
ENGINE

Manufacturer: Mack.....	Model FK
Type.....	L-head, 4-cycle; No. of cylinders (in line) 6
Displacement.....	(cu in.) 290
Bore.....	(in.) 3 3/4
Stroke.....	(in.) 4 3/4
Compression ratio.....	6.00:1
Governed speed.....	(rpm) 2,750
Brake horsepower (max w/std accessories).....	91 at (rpm) 2,750
Torque (max).....	200 lb-ft at (rpm) 1,000

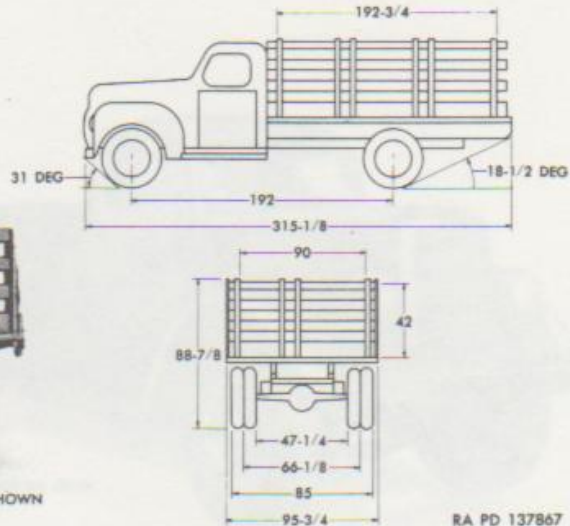
ADDITIONAL DATA

Rear axle, type.....	spiral-bevel, full-floating
Transmission, type.....	constant-mesh

TRUCK, STAKE AND PLATFORM, 2½-TON, 4 x 2 (International Harvester, Model K7, 1941)



NOTE: ALL DIMENSIONS SHOWN
ARE IN INCHES



RA PD 137867

Technical Manuals: 9-822, 9-1822, 9-1825A, 9-1827B, 9-1827C, 9-1828A; Supply Catalog: SNL G-541.

Classification: Standard.

Purpose: To transport general cargo.

GENERAL DATA

PERFORMANCE

Crew	2
Weight (lb)	Net 8,337
Payload:	
Off highway.....	5,000; gross 13,337
On highway.....	7,000; gross 15,337
Rear-axle gear ratio	7.16:1
Axle load (lb):	
Empty.....	front 3,739; rear 4,598
Loaded:	
Off highway.....	front 4,219; rear 9,118
On highway.....	front 4,409; rear 10,928
Tires:	
Ply 10.....	Size 8.25 x 20; Pressure (psi) 60
Tread, center-to-center, front.....	(in.) 65½
Shipping dimensions, uncrated	(cu ft) 1,552; (sq ft) 210
Vehicle dimensions:	
Ground clearance.....	(in.) 10½
Loading height, empty.....	(in.) 46½
Body inside dimensions (in.):	
Length.....	192¾; Width 90; Height 42
Body cargo space.....	(cu ft) 420
Electrical system	(volts) 6
No. of batteries.....	1
Type of ground.....	positive
Fuel octane rating	70
Capacities:	
Fuel.....	(gal) 31
Cooling system.....	(qt) 18½
Crankcase, refill.....	(qt) 6¾
Transmission.....	(qt) 5½
Rear axle.....	(qt) 5
Brakes:	
Manufacturer.....	Wagner; Type; hydraulic-vacuum
Parking brake, type.....	transmission
Transmission:	
Forward speeds.....	5
Gear ratio.....	High 0.823:1; Fourth 1:1; Low 6.525:1

Computed grade ability in lowest gear, loaded	(percent) 39
Turning radius	(ft) 27½
Fording depth	(in.) 26
Fuel consumption, loaded	(mpg) 9
Cruising range, loaded	(mi) 279
Allowable speed, governed	(mph) 45
Maximum recommended tow load, gross	(lb) 10,000

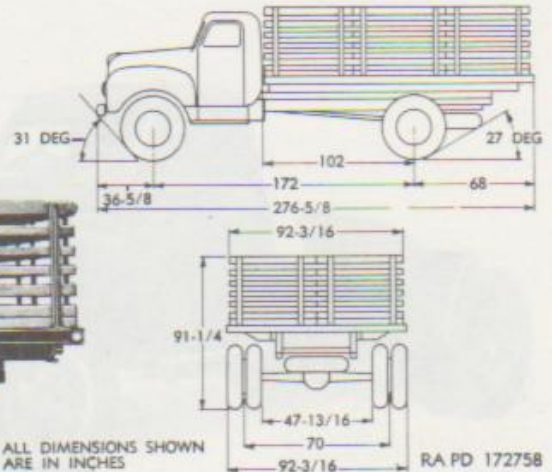
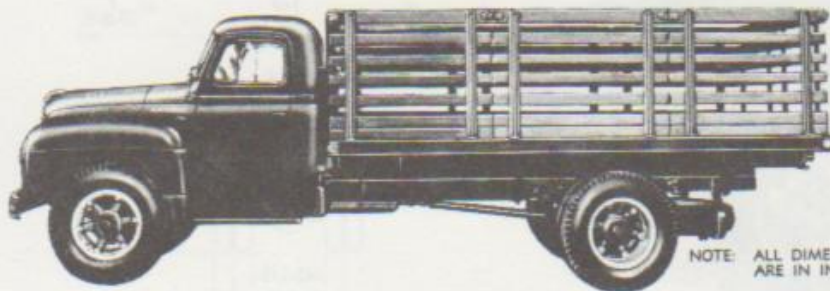
ENGINE

Manufacturer: International Harvester.....	Model FAC-269
Type	Valve-in-head, 4-cycle; No. of cylinders (in line) 6
Displacement	(cu in.) 269.1
Bore	(in.) 3¾
Stroke	(in.) 4½
Compression ratio	6.2:1
Governed speed	(rpm) 3,000
Brake horsepower (max w/std accessories)	101 at (rpm) 3,200
Torque (max)	212 lb-ft at (rpm) 800

ADDITIONAL DATA

Rear axle, type	spiral-bevel, full-floating
Transmission, type	selective sliding-gear

TRUCK, STAKE AND PLATFORM, 2½-TON, 4 x 2 (International Harvester, Model L-172)



Classification: Standard.

Purpose: To transport general cargo.

GENERAL DATA

Crew	2
Weight (lb)	Net 7,110
Payload	Off highway 5,000; on highway 11,800
Gross	Off highway 12,110; on highway 19,000
Rear-axle gear ratio (2 speed)	High 6.33:1; Low 8.81:1
Axle load (lb):	
Empty	front 3,320; rear 3,790
Loaded:	
Off highway	front 3,770; rear 8,340
On highway	front 4,435; rear 14,565
Tires:	
Ply 10	Size 9.00 x 20; Pressure (psi) 65
Tread, center-to-center, front	(in.) 64½
Shipping dimensions, uncrated	(cu ft) 1,350; (sq ft) 178
Vehicle dimensions:	
Ground clearance	(in.) 10½
Loading height	(in.) 45½
Body inside dimensions (in.):	
Length	168; Width 84; Height 42
Cargo space	(cu ft) 343
Electrical system	(volts) 6
No. of batteries	1
Type of ground	positive
Fuel octane rating	72
Capacities:	
Fuel	(gal) 21
Cooling system	(qt) 21
Crankcase, refill	(qt) 7
Transmission	(qt) 6
Rear axle	(qt) 4
Brakes:	
Manufacturer	Wagner; Type, hydraulic
Parking brake, type	transmission
Transmission:	
Forward speeds	5
Gear ratio	High 1:1; Fourth 1.42:1; Low 7.35:1

PERFORMANCE

Computed grade ability in lowest gear w/off-highway load	(percent) 61
Turning radius	(ft) 30
Fording depth	(in.) 25
Fuel consumption, loaded	(mpg) 5½
Cruising range, loaded	(mi) 115
Allowable speed, governed	(mph) 50

ENGINE

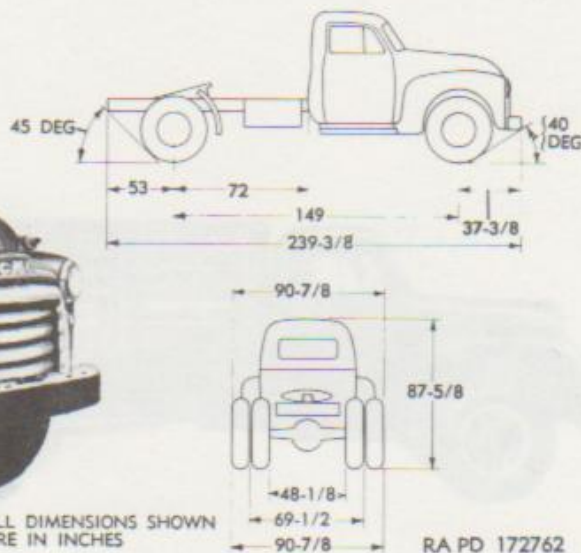
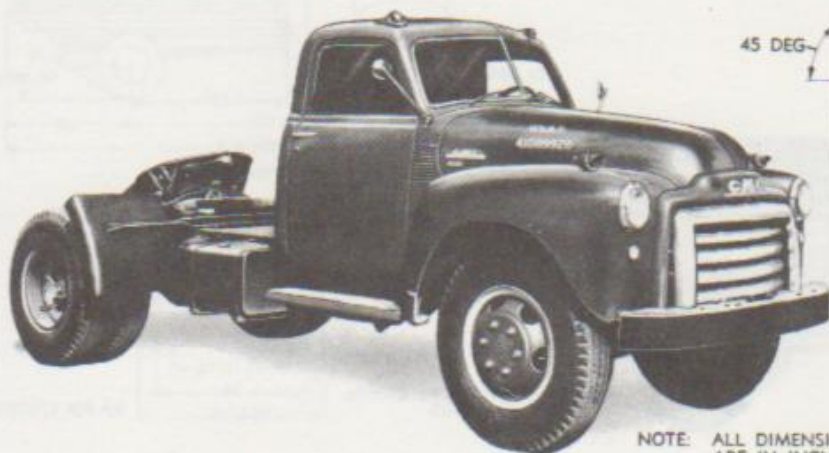
Manufacturer: IHC	Model BD-269
Type	4-cycle, valve-in-head; No. of cylinders (in line) 6
Displacement	(cu in.) 269
Bore	(in.) 3½
Stroke	(in.) 4½
Compression ratio	6.3:1
Governed speed	(rpm) 2,800
Brake horsepower (max w/std accessories)	89 at (rpm) 2,800
Torque (max w/std accessories)	217 lb-ft at (rpm) 1,000

ADDITIONAL DATA

Rear axle, type	two-speed, full-floating
Transmission, type	synchromesh

TRUCK, TRACTOR, 2½-TON, 4 x 2

(GMC, Model HC-452, 1950)



NOTE: ALL DIMENSIONS SHOWN ARE IN INCHES

RA PD 172762

Classification: Standard.

Purpose: To tow semitrailers.

GENERAL DATA

Crew	2
Weight (lb)	Net 7,470
Payload	11,530
Gross	19,000
Rear-axle gear ratio (two speed)	High 6.67:1; Low 8.85:1
Axle load (lb):	
Empty	front 3,810; rear 3,660
Loaded	front 5,000; rear 14,000
Tires:	
Ply 10	Size 9.00 x 30; Pressure (psi) 65
Tread, center-to-center, front	(in.) 61¾
Shipping dimensions, uncrated	(cu ft) 1,100; (sq ft) 151
Vehicle dimensions:	
Ground clearance	(in.) 10¾
Frame height	(in.) 35½
Height to center of fifth wheel, empty	(in.) 43¾
Height to rear of fifth wheel, empty	(in.) 36½
Fifth wheel mounted forward of rear axle	(in.) 4
Electrical system	(volts) 6
No. of batteries	1
Type of ground	positive
Fuel octane rating	72
Capacities:	
Fuel	(gal) 50
Cooling system	(qt) 18
Crankcase, refill	(qt) 8
Transmission	(qt) 6
Rear axle	(qt) 6½
Brakes:	
Manufacturer	GMC; Type; air-hydraulic
Parking brake, type	transmission
Transmission:	
Forward speeds	5
Gear ratio	High 1:1; Fourth 1.72:1; Low 7.58:1

PERFORMANCE

Computed grade ability in lowest gear, loaded	(percent) 43
Turning radius	(ft) 26
Fording depth	(in.) 26
Fuel consumption, loaded	(mpg) 7½
Cruising range, loaded	(mi) 375
Allowable speed, governed	(mph) 55
Maximum semitrailer, gross	(lb) 20,000

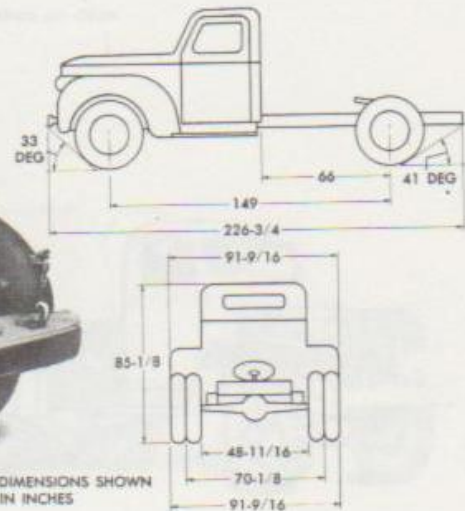
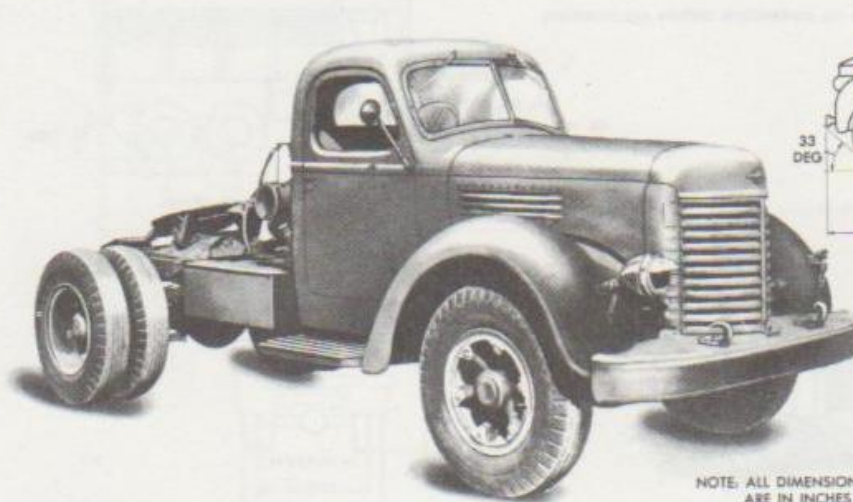
ENGINE

Manufacturer: GMC	Model 270
Type	4-cycle, valve-in-head, No. of cylinders (in line) 6
Displacement	(cu in.) 269.5
Bore	(in.) 3¾
Stroke	(in.) 4
Compression ratio	6.75:1
Governed speed	(rpm) 3,200
Brake horsepower (max w/std accessories)	106 at (rpm) 3,200
Torque (max w/std accessories)	216 lb-ft at (rpm) 1,000-1,200

ADDITIONAL DATA

Rear axle, type	two-speed, spiral-bevel, full-floating
Transmission, type	synchromesh

TRUCK, TRACTOR, 2½-TON, 4 x 2 (International Harvester, Model KR8R, 1942)



NOTE: ALL DIMENSIONS SHOWN
ARE IN INCHES

RA PD 137819

Technical Manuals: 9-822; 9-1822; 9-1825A; 9-1827B; 9-1827C; 9-1828A; Supply Catalog: SNL G-541.

Classification: Standard.

GENERAL DATA

Crew	2
Weight (lb)	Net 9,247; Payload 8,500; Gross 17,747
Rear-axle gear ratio	8.49:1
Axle load (lb.):	
Empty	front 4,480; rear 4,767
Loaded	front 4,822; rear 12,925
Tires:	
Ply 12	Size 9.00 x 20; Pressure (psi) 80
Tread, center-to-center, front	(in.) 68½
Shipping dimensions, uncrated	(cu ft) 1,023; (sq ft) 144
Vehicle dimensions:	
Ground clearance	(in.) 9¾
Pintle height, empty	(in.) 34
Center of fifth wheel to center of rear axle	(in.) 6
Height to center of fifth wheel, loaded	(in.) 44
Height to rear of fifth wheel	(in.) 38
Electrical system	(volts) 6
No. of batteries	1
Type of ground	positive
Fuel octane rating	70
Capacities:	
Fuel	(gal) 21
Cooling system	(qt) 25½
Crankcase, refill	(qt) 9
Transmission, w/power take-off	(qt) 9
Rear axle	(qt) 10
Winch:	
Oil capacity	(qt) 2
Load capacity	(lb) 25,000
Brakes:	
Manufacturer	Wagner; Type: hydraulic
Parking brake, type	transmission
Transmission:	
Forward speeds	5
Gear ratio	High 0.823:1; Fourth 1:1; Low 6.525:1

Purpose: To tow semitrailers.

PERFORMANCE

Computed grade ability in lowest gear, loaded	(percent) 37
Turning radius	(ft) 25
Fording depth	(in.) 30
Fuel consumption:	
W/towed load	(mpg) 5½
W/o towed load	(mpg) 6
Cruising range:	
W/towed load	(mi) 115
W/o towed load	(mi) 126
Allowable speed, governed	(mph) 43
Maximum semitrailer, gross	(lb) 25,000

ENGINE

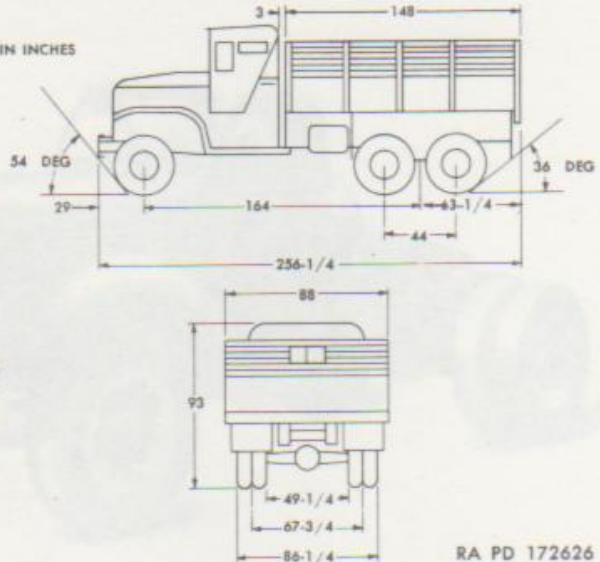
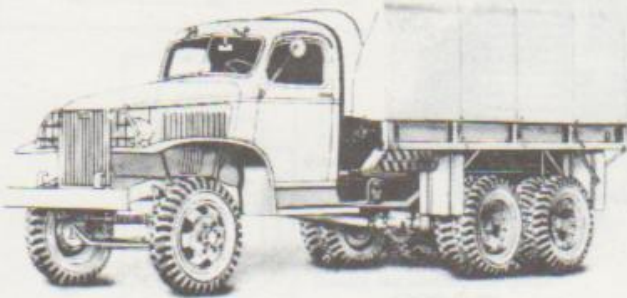
Manufacturer: International Harvester	Model FBC-318
Type	4-cycle, valve-in-head; No. of cylinders (in line) 6
Displacement	(cu in.) 318.41
Bore	(in.) 3¾
Stroke	(in.) 4¼
Compression ratio	5.45:1
Governed speed	(rpm) 2,700
Brake horsepower (max w/std accessories)	85 at (rpm) 2,900
Torque (max w/std accessories)	229 lb-ft at (rpm) 800

ADDITIONAL DATA

Rear-axle, type	spiral-bevel, full-floating
Transmission, type	selective sliding-gear

TRUCK, CARGO, 2½-TON, 6 x 4 (GMC, Model CCW353, 1941-42)

NOTE: ALL DIMENSIONS SHOWN ARE IN INCHES



RA PD 172626

Technical Manuals: 9-801, 9-1801, 9-1802A, 9-1825A, 9-1826C, 9-1827B, 9-1827C, 9-1828A; Supply Catalog: SNL G-508

Classification: Not classified.

Purpose: To transport general cargo.

GENERAL DATA

Crew	2
Weight (lb)	Net 10,050
Payload:	
Off highway	5,350; gross 15,400
On highway	6,550; gross 20,450
Live-axle gear ratio	6.6:1
Axle load (lb):	
Empty	front 3,130; rear (each) 3,465
Loaded:	
Off highway	front 3,720; rear (each) 5,840
On highway	front 4,150; rear (each) 7,550
Tires:	
Ply 8	Size 7.50 x 20; Pressure (psi) 55
Tread, center-to-center, front	(in.) 62½
Shipping dimensions, uncrated	(cu ft) 1,216; (sq ft) 157
Vehicle dimensions:	
Ground clearance	(in.) 9½
Pintle height, loaded	(in.) 31½
Loading height, empty	(in.) 48½
Body inside dimensions (in.):	
Length	144
Width	81½
Height	64
Cargo space	(cu ft) 430
Rear of cab to center of bogie axle	(in.) 90
Electrical system	(volts) 6
No. of batteries	1
Type of ground	negative
Fuel octane rating	70
Capacities:	
Fuel	(gal) 40
Cooling system	(qt) 19
Crankcase, refill (qt)	1-pc oil pan 10; 2-pc oil pan 7½
Transmission	(qt) 4½
Transfer	(qt) 2¾
Live-axes (qt)	forward 6½; rear 5¼
Brakes:	
Manufacturer, GMC-Bendix	Type; hydrovac
Parking brake, type	transfer

GENERAL DATA—Continued

Transmission:	
Forward speeds	5
Gear ratio	High 0.799:1; Fourth 1:1; Low 6.06:1
Transfer:	
Speeds	2
Gear ratio	High 1.16:1; (blocked out) Low 2.63:1

PERFORMANCE

Computed grade ability in lowest gear, loaded	(percent) 65
Turning radius	(ft) 35
Fording depth	(in.) 30
Fuel consumption, loaded	(mpg) 7½
Cruising range, loaded	(mi) 309
Allowable speed, governed	(mph) 45
Maximum recommended towed load:	
Off highway	gross (lb) 4,500
On highway	gross (lb) 7,500

ENGINE

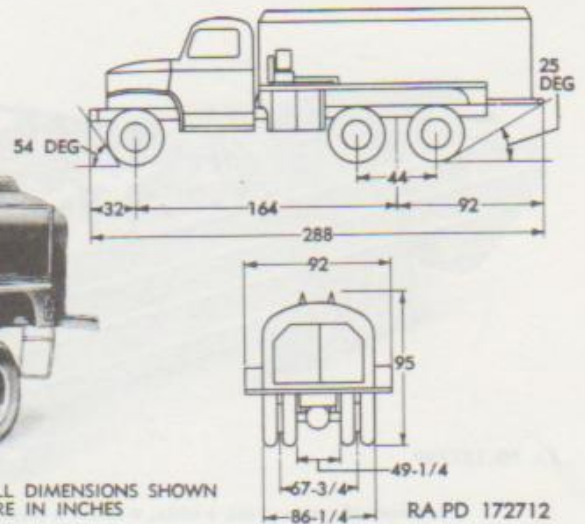
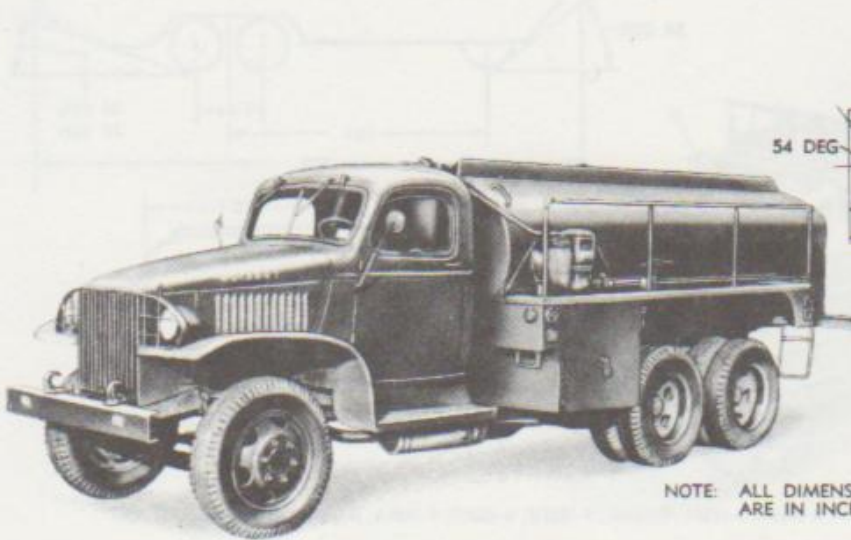
Manufacturer: GMC	Model 270
Type	4-cycle, valve-in-head; No. of cylinders (in line) 6
Displacement	(cu in.) 269.5
Bore	(in.) 3¾
Stroke	(in.) 4
Compression ratio	6.75:1
Governed speed	(rpm) 2,750
Brake horsepower (max w/std accessories)	91.5 at (rpm) 2,750
Torque (max w/std accessories)	216 lb-ft at (rpm) 1,400

ADDITIONAL DATA

Live axes, type	spiral-bevel, full-floating
Transmission, type	constant-mesh

TRUCK, GASOLINE TANK, 2 1/2-TON, 6 x 4, 1,350-GAL

GMC; Body { Heil, single-compartment or
Gar Wood, single-compartment or
Gar Wood, double-compartment



NOTE: ALL DIMENSIONS SHOWN ARE IN INCHES

Technical Manuals: 9-801, 9-1801, 9-1802A, 9-1825A, 9-1826C, 9-1827B, 9-1827C, 9-1828A; Supply Catalog: SNL G-718 (See G-508 for chassis parts).

Classification: Nonclassified.

Purpose: To transport and dispense gasoline.

GENERAL DATA

Crew	2
Weight (lb)	Net 11,100; Payload 8,370; Gross, 19,470
Live-axle gear ratio	6.6:1
Axle load (lb):	
Empty	front 4,590; rear (each) 3,255
Loaded	front 5,362; rear (each) 7,054
Tires:	
Ply-8	Size 7.50 x 20; Pressure (psi) 55
Tread, center-to-center, front	(in.) 62 3/4
Shipping dimensions, uncrated	(cu ft) 1,460; (sq ft) 184
Ground clearance	(in.) 9 5/4
Electrical system	(volts) 6
No. of batteries	1
Type of ground	negative
Fuel octane rating	70
Capacities:	
Fuel	(gal) 40
Cooling system	(qt) 19
Crankcase, refill (qt)	1-pe oil pan 10; 2-pe oil pan 7 1/2
Transmission	(qt) 4 1/2
Transfer	(qt) 2 3/4
Live axles (qt)	front 6 1/2; rear 5 1/4
Brakes:	
Manufacturer	GMC-Bendix; Type: hydrovac
Parking brake, type	transfer
Transmission:	
Forward speeds	5
Gear ratio	High 0.799:1; Fourth 1:1; Low 6.06:1
Transfer:	
Speeds	2
Gear ratio	High 1.16:1; Low 2.63:1

PERFORMANCE

Computed grade ability in lowest gear, loaded	(percent) 59
Turning radius	(ft) 35
Fording depth	(in.) 30
Fuel consumption, loaded	(mpg) 7 1/2
Cruising range, loaded	(mi) 300
Allowable speed, governed	(mph) 45

ENGINE

Manufacturer:	GMC	Model 270
Type	Valve-in-head, 4-cycle; No. of cylinders (in line)	
Displacement	(cu in.) 269.5	
Bore	(in.) 3 3/4	
Stroke	(in.) 4	
Compression ratio	6.75:1	
Governed speed	(rpm) 2,750	
Brake horsepower (max w/std accessories)	91.5 at (rpm) 2,750	
Torque (max)	216 lb-ft at (rpm) 1,400	

ADDITIONAL DATA

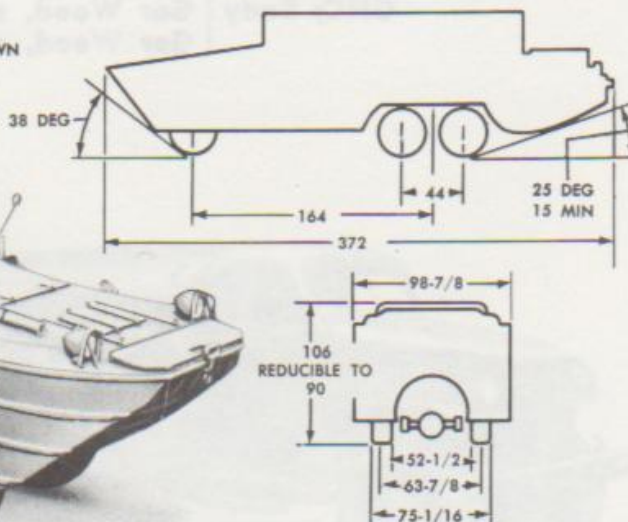
Live axles, type	spiral-bevel, full-floating
Transmission, type	constant-mesh

TRUCK, AMPHIBIAN, 2½-TON, 6 x 6 (GMC, Model DUKW353)

NOTE: ALL DIMENSIONS SHOWN
ARE IN INCHES



RA PD 137789



Technical Manuals: 9-802, 9-1802A, 9-1802B, 9-1802C, 9-1825A, 9-1826C, 9-1827B, 9-1827C, 9-1828A; Supply Catalog: SNL G-501.

Classification: Standard.

Purpose: To transport cargo or personnel on land or water.

GENERAL DATA

Crew	2
Weight (lb)	Net 14,880; Payload 5,175; Gross 20,055
Live-axis gear ratio	6.6:1
Tires:	
Ply 10	Size 11.00 x 18
Pressure (psi) for paved roads	front 40; rear 40
Tread, center-to-center, front	(in.) 63¾
Shipping dimensions, uncrated	(cu ft) 2,260; (sq ft) 256
Vehicle dimensions (in.):	
Water line length, loaded	344
Loaded freeboard:	
At coaming	front 28; rear 28
At deck	front 24; rear 16
Loaded draft	front 42; rear 51
Ground clearance	(in.) 11¼
Pintle height, loaded	(in.) 49¾
Cargo-space inside dimensions (in.):	
Length	96; Width 72; Height, under bows 96
Cargo capacity	(cu ft) 384
Electrical system	
No. of batteries	(volts) 6
Type of ground	negative
Fuel octane rating	70
Capacities:	
Fuel	(gal) 40
Cooling system	(qt) 20
Crankcase, refill	(qt) 11¼
Transmission w/power take-off	(qt) 5¼
Axles (qt)	front 6¼
Bogie	front 6¼; rear 5¼
Transfer	(qt) 2¼
Water-propeller transfer	(qt) ¼
Tire pump	(qt) ¼
Winch:	
Oil capacity	(qt) ¾
Load capacity	(lb) 10,000
Brakes:	
Manufacturer	GMC-Bendix; Type; hydrovac
Parking brake, type	transfer

GENERAL DATA—Continued

Transmission:	
Forward speeds	5
Gear ratio	High 0.799:1; Fourth 1:1; Low 6.06:1
Water-propeller-transfer:	
Speeds	2
Gear ratio	Reverse 0.38:1; Forward 0.743:1

PERFORMANCE

Computed grade ability in lowest gear, loaded	(percent) 55
Turning radius:	
Right (ft)	land 35; water 20
Left (ft)	land 36; water 20
Fuel consumption, loaded:	
Land	(mpg) 6
Water	(mpg) 0.9
Cruising range, loaded: land	
On water: at top speed, 2nd gear (mi) 30	3rd gear (mi) 50
Allowable speed:	
Land, governed	(mph) 50
Water	(mph) 6
Maximum recommended towed load:	
Off highway	gross (lb) 4,500
On highway	gross (lb) 7,500

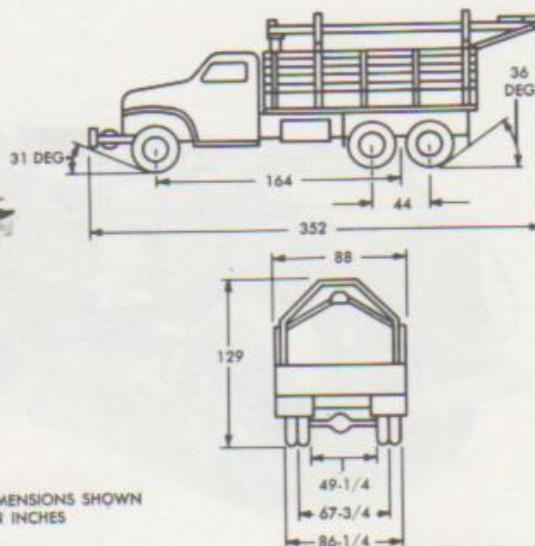
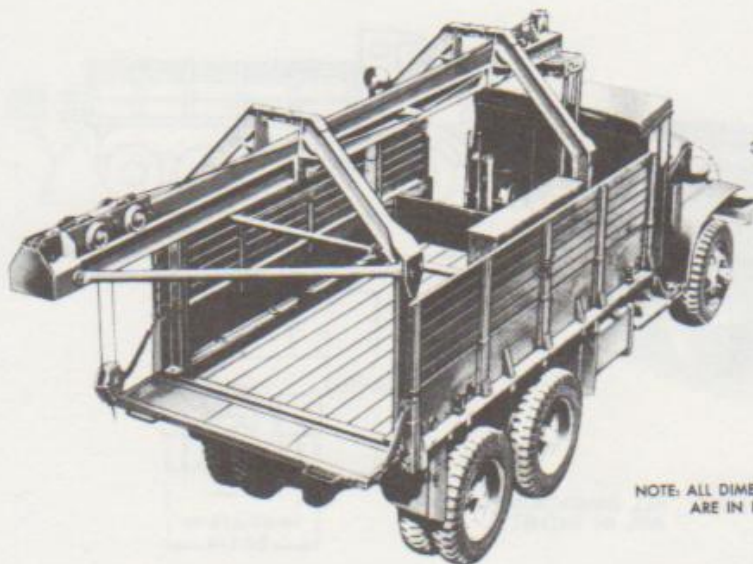
ENGINE

Manufacturer: GMC	Model 270
Type	Valve-in-head, 4-cycle; No. of cylinders (in line) 6
Displacement	(cu in.) 269.5
Bore	(in.) 3½½
Stroke	(in.) 4
Compression ratio	6.75:1
Governed speed	(rpm) 2,750
Brake horsepower (max w/std accessories)	91.5 at (rpm) 2,750
Torque (max)	216 lb-ft at (rpm) 1,400

ADDITIONAL DATA

Live-axles, type	spiral-bevel, full-floating
Transmission, type	constant-mesh

TRUCK, BOMB SERVICE, 2½-TON, 6 x 6, M27 AND M27B1 (GMC, Model CCKW353, LWB)



NOTE: ALL DIMENSIONS SHOWN ARE IN INCHES

RA PD 137765

Technical Manuals: 9-766, 9-801, 9-1801, 9-1802A, 9-1825A, 9-1826C, 9-1827B, 9-1827C, 9-1828A; Supply Catalog: SNL G-508.

Classification: M27B1 standard; M27 substitute standard.

Purpose: To lift and transport bombs from depots to planes and airfields.

GENERAL DATA

Crew	2
Weight (lb)	Net 14,115; Payload 5,158; Gross 19,273
Live-axle gear ratio	6.6:1
Axle load (lb):	
Empty.....	front 5,081; rear (each) 4,517
Loaded.....	front 5,649; rear (each) 6,812
Tires:	
Ply 8.....	Size 7.50 x 20; Pressure (psi) 55
Tread, center-to-center, front.....	(in.) 62¼
Shipping dimensions, uncrated	(cu ft) 2,312; (sq ft) 215
Vehicle dimensions:	
Loading height, empty.....	(in.) 48¼
Ground clearance.....	(in.) 9¼
Pintle height, loaded.....	(in.) 31¼
Electrical system	(volts) 6
No. of batteries.....	1
Type of ground.....	negative
Fuel octane rating	70
Capacities:	
Fuel.....	(gal) 40
Cooling system.....	(qt) 19
Crankcase, refill (qt).....	1-pe oil pan 10; 2-pe oil pan 7¼
Transfer.....	(qt) 3
Transmission w/power take-off.....	(qt) 6¼
Axles (qt)	front 3
Bogie.....	front 3; rear 2¼
Winch:	
Oil capacity.....	(qt) 1¼
Load capacity.....	(lb) 10,000
Brakes:	
Manufacturer.....	GMC-Bendix; Type; hydrovac
Parking brake, type.....	transfer
Transmission:	
Forward speeds.....	5
Gear ratio.....	High 0.799:1; Fourth 1:1; Low 6.06:1
Transfer:	
Speeds.....	2
Gear ratio.....	High 1.16:1; Low 2.63:1

PERFORMANCE

Computed grade ability in lowest gear, loaded	(percent) 65
Turning radius	(ft) 35
Fording depth	(in.) 30
Fuel consumption, loaded	(mpg) 7¼
Cruising range, loaded	(mi) 300
Allowable speed, governed	(mph) 45
Maximum recommended towed load:	
Off highway gross (lb).....	4,500
On highway gross (lb).....	7,600

ENGINE

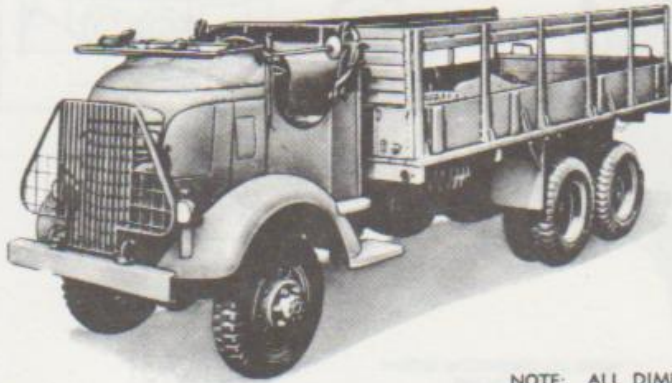
Manufacturer: GMC.....	Model 270
Type	Valve-in-head, 4-cycle; No. of cylinders (in line) 6
Displacement	(cu in.) 269.5
Bore	(in.) 3¼
Stroke	(in.) 4
Governed speed	(rpm) 2,750
Brake horsepower (max w/std accessories)	91.5 at (rpm) 2,750
Torque (max)	216 lb-ft at (rpm) 1,400

ADDITIONAL DATA

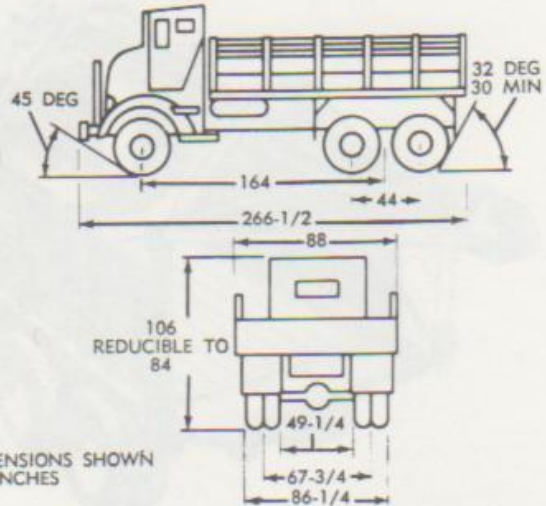
Live-axles, type	spiral-bevel, full-floating
Transmission, type	constant-mesh
Data given for vehicle with split-type axle. For banjo-type axle, changes in data are as follows:	
Tread:	
Center-to-center (in.).....	front 60; rear 67¼
Outside to outside (in.).....	86; Inside to inside (in.) 49
Capacities:	
Transfer.....	(qt) 2¼
Axles (qt).....	front 6¼
Bogie.....	front 6¼; rear 5¼

TRUCK, CARGO, 2½-TON, 6 x 6

(GMC, Model AFKWX353, COE, 15-ft. body)



RA PD 172647



NOTE: ALL DIMENSIONS SHOWN ARE IN INCHES

Technical Manuals: 9-809, 9-1801, 9-1802A, 9-1825A, 9-1826C, 9-1827B, 9-1827C, 9-1828A, 9-1829A; Supply Catalog: SNL G-508.

Classification: Limited Standard.

Purpose: To transport general cargo.

GENERAL DATA

Crew	2
Weight (lb)	Net 10,800; Payload 5,350; Gross 16,150
Live-axle gear ratio	6.6:1
Axle load (lb):	
Empty	front 4,439; rear (each) 3,180
Loaded*	front 5,148; rear (each) 5,501
Tires:	
Ply 8	Size 7.50 x 20; Pressure (psi); front 55; rear 55
Tread, center-to-center, front	(in.) 62¾
Shipping dimensions, uncrated	(cu ft) 1,440; (sq ft) 163
Vehicle dimensions:	
Loading height, empty	(in.) 49½
Ground clearance	(in.) 9½
Pintle height, loaded	(in.) 31½
Body inside dimensions (in.):	
Length	176; Width 80; Height, under bows 59
Cargo space	(cu ft) 475
Electrical system	(volts) 6
No. of batteries	1
Type of ground	negative
Fuel octane rating	70
Capacities:	
Fuel	(gal) 40
Cooling system	(qt) 21
Crankcase, refill (qt)	1-pe oil pan 10; 2-pe oil pan 7½
Transmission	(qt) 4½
Transfer	(qt) 3
Axles (qt)	front 3
Bogie	front 3; rear 2½
Brakes:	
Manufacturer	GMC-Bendix; Type; hydrovac
Parking brake, type	transfer
Transmission:	
Forward speeds	5
Gear ratio	High 0.799:1; Fourth 1:1; Low 6.00:1
Transfer:	
Speeds	2
Gear ratio	High 1.16:1; Low 2.63:1

PERFORMANCE

Computed grade ability in lowest gear, loaded	(percent) 65
Turning radius (ft)	Right 35; Left 35
Fording depth	(in.) 30
Fuel consumption, loaded	(mpg) 7½
Cruising range, loaded	(mi) 300
Allowable speed, governed	(mph) 45
Maximum recommended towed load, gross	(lb) 4,500

ENGINE

Manufacturer: GMC	Model 270
Type	Valve-in-head, 4-cycle; No. of cylinders (in line) 6
Displacement	(cu in.) 269.5
Bore	(in.) 3½
Stroke	(in.) 4
Compression ratio	6.75:1
Governed speed	(rpm) 2,750
Brake horsepower (max w/std accessories)	91.5 at (rpm) 2,750
Torque (max w/std accessories)	216 lb-ft at (rpm) 1,400

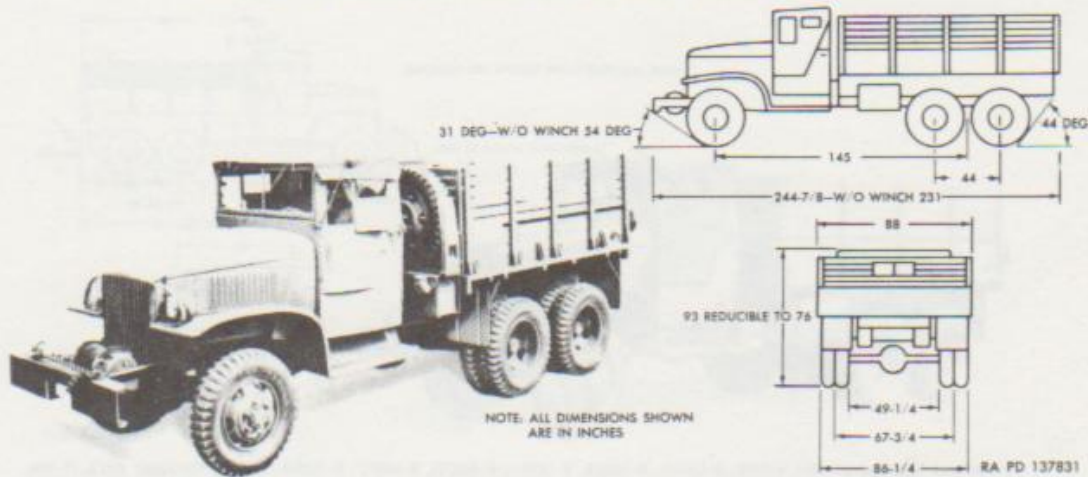
ADDITIONAL DATA

Live axles, type	spiral-bevel, full-floating
Transmission, type	constant-mesh
Data given for vehicle with split-type axle. For banjo-type axle, changes in data are as follows:	
Tread dimensions (in.):	
Front	60
Rear	67½
Outside to outside	86
Inside to inside	49
Capacities:	
Transfer	(qt) 2¼
Axles (qt)	front 6½
Bogie	front 6½; rear 5¼

* Increased loading of this vehicle on highway not permitted.

TRUCK, CARGO, 2½-TON, 6 x 6, W/ AND W/O WINCH

(GMC, Model CCKW352, SWB, 1941-42-43)



Technical Manuals: 9-801, 9-1801, 9-1802A, 9-1825A, 9-1826C, 9-1827B, 9-1827C, 9-1828A; Supply Catalog: SNL G-508.

Classification: Limited Standard.

Purpose: To transport general cargo and personnel.

GENERAL DATA

GENERAL DATA—Continued

Crew	2
Weight (lb)	Net 10,350
Payload:	
Off highway	5,350; Gross 15,700
On highway	10,000; Gross 20,350
Live-axle gear ratio	6.6:1
Axle load (lb):	
Empty	front 3,792; rear (each) 3,279
Loaded:	
Off highway	front 3,992; rear (each) 5,854
On highway	front 4,170; rear (each) 8,090
Tires:	
Ply 8	Size 7.50 x 20; Pressure, (psi) 55
Tread, center-to-center, front	(in.) 62½
Shipping dimensions, uncrated:	
W/winch	(cu ft) 1,160; (sq ft) 150
W/o winch	(cu ft) 1,136; (sq ft) 147
Vehicle dimensions:	
Loading height, empty	(in.) 48½
Ground clearance	(in.) 9¾
Pintle height, loaded	(in.) 31½
Body inside dimensions (in.):	
Length	120; Width 81½; Height 64
Body cargo space	(cu ft) 340
Electrical system	(volts) 6
No. of batteries	1
Type of ground	negative
Fuel octane rating	70
Capacities:	
Fuel	(gal) 40
Cooling system	(qt) 19
Crankcase, refill (qt)	1-pe oil pan 10; 2-pe oil pan 7½
Transfer	(qt) 3
Transmission (qt)	w/PTO 6¼; w/o PTO 4½
Axles (qt)	front 3
Bogie	front 3; rear 2½
Winch:	
Oil capacity	(qt) 1½
Load capacity	(lb) 10,000
Brakes:	
Manufacturer	GMC-Bendix; Type; hydrovac
Parking brake, type	transfer
Transmission:	
Forward speeds	5
Gear ratio	High 0.799:1; Fourth 1:1; Low 6.06:1

Transfer:	
Speeds	2
Gear ratio	High 1.16:1; Low 2.63:1

PERFORMANCE

Computed grade ability in lowest gear, loaded	(percent) 65
Turning radius	(ft) 34
Fording depth	(in.) 30
Fuel consumption, loaded	(mpg) 7½
Cruising range, loaded	(mi) 300
Allowable speed, governed	(mph) 45
Maximum recommended towed load:	
Off highway	4,500
On highway	7,500

ENGINE

Manufacturer: GMC	Model 270
Type	Valve-in-head, 4-cycle; No. of cylinders (in line) 6
Displacement	(cu in.) 269.5
Bore	(in.) 3¾
Stroke	(in.) 4
Compression ratio	6.75:1
Governed speed	(rpm) 2,750
Brake horsepower (max w/std accessories)	91.5 at (rpm) 2,750
Torque (max)	216 lb-ft at (rpm) 1,400

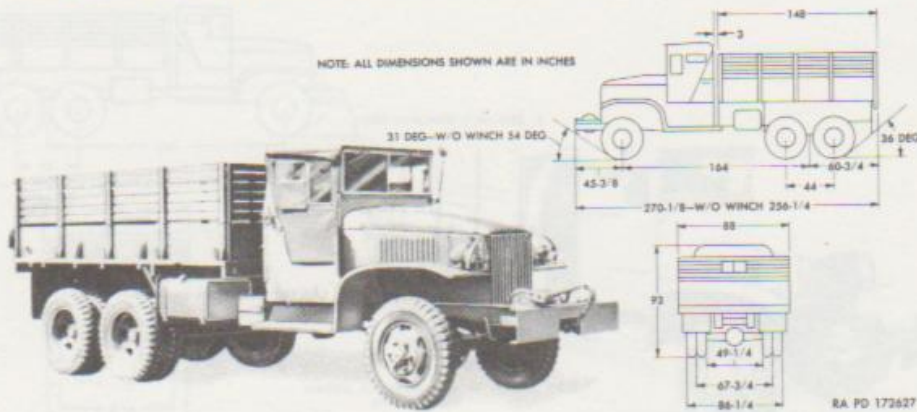
ADDITIONAL DATA

Weights and axle loads given for vehicle w/o winch, Weight of winch 700 lb.

Live axles, type	spiral-bevel, full-floating
Transmission, type	constant-mesh
Data given for vehicle with split-type axle. For banjo-type axle, changes in data are as follows:	
Tread dimensions (in.):	
Front	60
Rear	67½
Outside to outside	86
Inside to inside	49
Capacities:	
Transfer	(qt) 2¼
Axles (qt)	front 6½
Bogie	front 6½; rear 5¼

TRUCK, CARGO, 2½-TON, 6 x 6, W/ AND W/O WINCH

(GMC, Models CCKW353, LWB, 1941-42-43 and CCKWX353, LWB, 1941)



Technical Manuals: 9-801, 9-1801, 9-1802A, 9-1825A, 9-1826C, 9-1827B, 9-1827C, 9-1828A; Supply Catalog: SNL G-508.

Classification: Limited standard.

Purpose: To transport general cargo and personnel.

GENERAL DATA

Crew	2
Weight (lb)	Net 11,250
Payload:	
Off highway	5,350; Gross 16,600
On highway	9,200; Gross 20,450
Live-axle gear ratio	6.6 : 1
Axle load (lb):	
Empty	front 4,120; rear (each) 3,565
Loaded:	
Off highway	front 4,270; rear (each) 5,940
On highway	front 5,150; rear (each) 7,650
Tires:	
Ply 8; Size 7.50 x 20; Pressure	(psi) 55
Tread, center-to-center, front	(in.) 62½
Shipping dimensions, uncrated:	
W/winch	(cu ft) 1,280; (sq ft) 165
W/o winch	(cu ft) 1,216; (sq ft) 157
Vehicle dimensions:	
Loading height, empty	(in.) 48½
Ground clearance	(in.) 97½
Pintle height, loaded	(in.) 31½
Body inside dimensions (in.):	
Length	144
Width	81½
Height	64
Body cargo space	(cu ft) 430
Rear of cab to center of bogie axle	(in.) 90
Electrical system	(volts) 6
No. of batteries	1
Type of ground	negative
Fuel octane rating	70
Capacities:	
Fuel	(gal) 40
Cooling system	(qt) 19
Crankcase, refill (qt)	1-pc oil pan 10; 2-pc oil pan 7½
Transfer	(qt) 3
Transmission (qt)	w/PTO 6½; w/o PTO; (qt) 4½
Axles (qt)	front 3
Bogie	front 3; rear 2½
Winch:	
Oil capacity	(qt) 1½
Load capacity	(lb) 10,000
Brakes:	
Manufacturer: GMC-Bendix	Type: hydrovac
Parking brake, type	transfer

GENERAL DATA—Continued

Transmission:	
Forward speeds	5
Gear ratio	High 0.799 : 1; Fourth 1 : 1; Low 6.06 : 1
Transfer:	
Speeds	2
Gear ratio	High 1.16 : 1; Low 2.63 : 1

PERFORMANCE

Computed grade ability in lowest gear, loaded	(percent) 65
Turning radius	(ft) 35
Fording depth	(in.) 30
Fuel consumption, loaded	(mpg) 7½
Cruising range, loaded	(mi) 300
Allowable speed, governed	(mph) 45
Maximum recommended towed load:	
Off highway; gross (lb)	4,500
On highway; gross (lb)	7,500

ENGINE

Manufacturer: GMC	Model 270
Type	Valve-in-head, 4-cycle; No. of cylinders (in line) 6
Displacement	(cu in.) 269.5
Bore	(in.) 3½½
Stroke	(in.) 4
Compression ratio	6.75 : 1
Governed speed	(rpm) 2,750
Brake horsepower (max w/std accessories)	91.5 at (rpm) 2,750
Torque (max)	216 lb-ft at (rpm) 1,400

ADDITIONAL DATA

Weight and axle loads given for vehicle w/winch. Weight of winch 700 lb.

Live-axes, type	spiral-bevel, full-floating
Transmission, type	constant-mesh

Data given for vehicle with split-type axle. For banjo-type axle, changes in data are as follows:

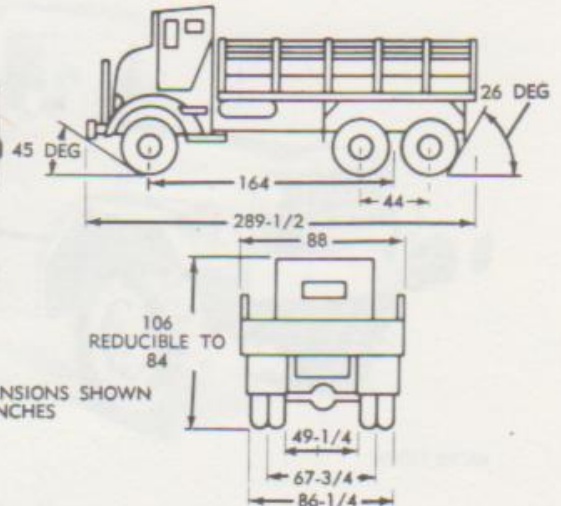
Tread dimensions (in.):	
Front	60
Rear	67½
Outside to outside	86
Inside to inside	49
Capacities:	
Transfer	(qt) 2½
Axles (qt)	front 6½
Bogie	front 6½; rear 5½

TRUCK, CARGO, 2½-TON, 6 x 6, 17 FT, M427

(GMC, Model AFKWX353, COE, 1942)



RA PD 172648



NOTE: ALL DIMENSIONS SHOWN ARE IN INCHES

Technical Manuals: 9-809, 9-1801, 9-1802A, 9-1825A, 9-1826C, 9-1827B, 9-1827C, 9-1828A; Supply Catalog: SNL G-508.

Classification: Standard.

Purpose: To transport general cargo and personnel.

GENERAL DATA

Crew	2
Weight (lb.):	Net 11,950; Payload 5,350; Gross 17,300
Live-axle gear ratio	6.6:1
Axle load (lb.):	
Empty	front 4,439; rear (each) 3,755
Loaded*	front 5,148; rear (each) 6,076
Tires:	
Ply 8	Size 7.50 x 20; Pressure (psi) 55
Tread, center-to-center, front	(in.) 62¾
Shipping dimensions, uncrated	(cu ft) 1,788; (sq ft) 193
Vehicle dimensions:	
Loading height, empty	(in.) 49½
Ground clearance	(in.) 97¼
Pintle height, loaded	(in.) 31½
Body inside dimensions (in.):	
Length	200; Width 80; Height, under bows 59
Body cargo space	(cu ft) 540
Electrical system	(volts) 6
No. of batteries	1
Type of ground	negative
Fuel octane rating	70
Capacities:	
Fuel	(gal) 40
Cooling system	(qt) 21
Crankcase, refill (qt)	1-pe oil pan 10; 2-pe oil pan 7½
Transfer	(qt) 3
Transmission	(qt) 4¾
Axles (qt)	front 3
Bogie	front 3; rear 2½
Brakes:	
Manufacturer	GMC-Bendix; Type; hydrovac
Parking brake, type	transfer
Transmission:	
Forward speeds	5
Gear ratio	High 0.799:1; Fourth 1:1; Low 6.06:1
Transfer:	
Speeds	2
Gear ratio	High 1.16:1; Low 2.63:1

*Increased loading of this vehicle on highways not permitted.

PERFORMANCE

Computed grade ability in lowest gear, loaded	(percent) 65
Turning radius	(ft) 35
Fording depth	(in.) 30
Fuel consumption, loaded	(mpg) 7½
Cruising range, loaded	(mi) 300
Allowable speed, governed	(mph) 45
Maximum recommended towed load, gross	(lb) 4,500

ENGINE

Manufacturer: GMC	Model 270
Type	Valve-in-head, 4-cycle; No. of cylinders (in line) 6
Displacement	(cu in.) 269.5
Bore	(in.) 3¾
Stroke	(in.) 4
Compression ratio	6.75:1
Governed speed	(rpm) 2,750
Brake horsepower (max w/std accessories)	91.5 at (rpm) 2,750
Torque (max w/std accessories)	215 lb-ft at (rpm) 1,400

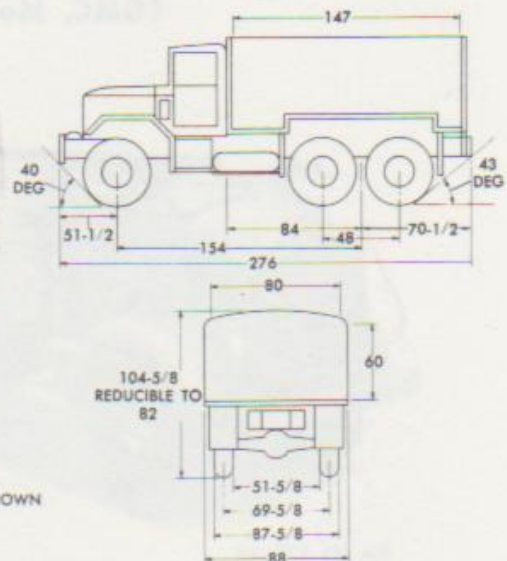
ADDITIONAL DATA

Live-axles, type	spiral-bevel, full-floating
Transmission, type	constant-mesh
Data given for vehicle with split-type axles. For banjo-type axles, changes in data are as follows:	
Tread dimensions (in.):	
Front	60
Rear	67½
Outside to outside	86
Inside to inside	49
Capacities:	
Transfer	(qt) 2¼
Axles (qt)	front 6¼
Bogie	front 6¼; rear 5¼

TRUCK, CARGO, 2 1/2-TON, 6 x 6, M34, W/ AND W/O WINCH



RA PD 137808



NOTE: ALL DIMENSIONS SHOWN ARE IN INCHES

Technical Manual: 9-819; Supply Catalog: SNL G-742.

Classification: Standard.

GENERAL DATA

Crew	2
Weight (lb)	Net 2,1901
Payload w/crew	off highway 5,350; on highway 10,350
Gross	off highway 17,540; on highway 22,540
Live-axle gear ratio	6.72:1
Axle load (lb):	
Empty	front 5,900; rear (each) 3,145
Loaded:	
Off highway	front 6,325; rear (each) 5,607
On highway	front 6,525; rear (each) 8,007
Tires:	
Ply 12	Size 11.00 x 20; Pressure (psi) 50
Tread, center-to-center, front	(in.) 69 5/8
Shipping dimensions, uncrated:	
W/winch	(cu ft) 1,150; (sq ft) 189
W/o winch	(cu ft) 1,094; (sq ft) 160
Vehicle dimensions:	
Ground clearance	(in.) 19 1/2
Loading height, empty	(in.) 43 1/2
Pintle height, empty	(in.) 35 7/8
Body inside dimensions (in.): Length	147; Width 80; Height 60
Cargo space	(cu ft) 408
Electrical system	(volts) 24
No. of batteries (12-volt)	2
Type of ground	negative
Fuel octane rating	75
Capacities:	
Fuel	(gal) 50
Cooling system (qt)	w/o heater 22; w/heater 24
Crankcase, refill	(qt) 9
Transmission (qt):	
W/o power take-off	4 3/4
W/power take-off	5
Transfer	(qt) 7
Axles, each	(qt) 7
Winch:	
Oil capacity	(qt) 2
Load capacity	(lb) 10,000
Brakes:	
Manufacturer; Timken	Type; air-actuated hydraulic
Parking brake, type	transfer

Purpose: To transport general cargo.

GENERAL DATA—Continued

Transmission:	
Forward speeds	5
Gear ratio	High 1:1; Fourth 1.45:1; Low 7.55:1
Transfer:	
Speeds	2
Gear ratio	High 1:1; Low 1.98:1

PERFORMANCE

Computed grade ability in lowest gear, w/5,350-lb payload	(percent) 64
Turning radius (ft)	w/winch 36; w/o winch 35
Fording depth	(in.) 72
Fuel consumption, loaded	(mpg) 7
Cruising range, loaded	(mi) 350
Allowable speed, governed	(mph) 62
Maximum recommended towed load:	
Off highway, gross	(lb) 6,000
On highway, gross	(lb) 10,000

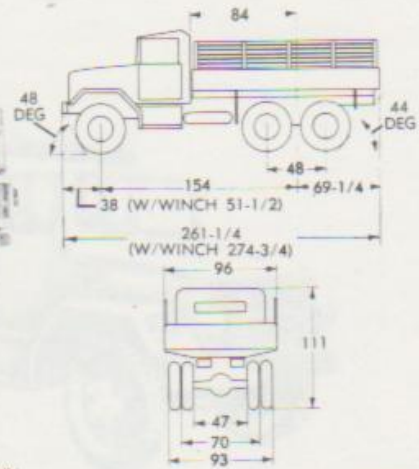
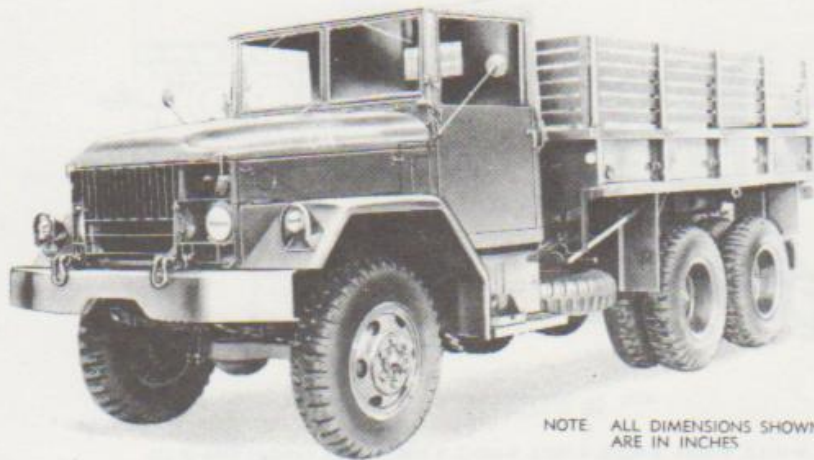
ENGINE

Manufacturer: Reo Motors, Inc	Model OA-331
Type	Valve-in-head, 4-cycle; No. of cylinders (in line) 6
Displacement	(cu in.) 331
Bore	(in.) 4 1/4
Stroke	(in.) 4 1/4
Compression ratio	6.73:1
Governed speed	(rpm) 3,400
Brake horsepower (max w/std accessories)	127 at (rpm) 3,200
Torque (max)	248 lb-ft at (rpm) 1,400

ADDITIONAL DATA

Live axles, type	spiral-bevel, double-reduction, full-floating
Transmission, type	synchromesh
Weights and axle loads given are for vehicle w/winch; for vehicle w/o winch, they are as follows:	
Weight (lb):	
Net	11,775
Gross	off highway 17,125; on highway 22,125
Axle load (lb):	
Empty	front 5,405; rear (each) 3,185
Loaded:	
Off highway	front 5,830; rear (each) 5,647
On highway	front 6,030; rear (each) 8,047

TRUCK, CARGO, 2 1/2-TON, 6 x 6, M35, W/ AND W/O WINCH



NOTE ALL DIMENSIONS SHOWN ARE IN INCHES

RA PD 172780

Technical Manuals: 9-819, 9-1819A, 9-1819B, 9-1825A, 9-1826D, 9-1827A, 9-1827C, 9-1828A; Supply Catalog: SNL G-742.

GENERAL DATA

Crew	2
Weight (lb):	
Net	w/o winch 12,465; w/winch 12,880
Payload:	
Off highway	5,000
On highway	10,000
Gross:	
Off highway	w/o winch 17,465; w/winch 17,880
On highway	w/o winch 22,465; w/winch 23,380
Axle gear ratio:	6.722:1
Axle load (lb):	
Empty:	
Front:	
W/o winch	5,315; rear (each) w/o winch 3,575
W/winch	5,810; w/winch 3,535
Loaded, off highway:	
Front:	
W/o winch	5,511; rear (each) w/o winch 5,977
W/winch	6,006; w/winch 5,937
Loaded on highway:	
Front:	
W/o winch	5,705; rear (each) w/o winch 8,380
W/winch	6,700; w/winch 8,340
Tires:	
Ply 8	Size 9.00 x 20; Pressure (psi) 45
Tread, center-to-center, front	(in.) 67 3/4
Shipping dimensions, uncrated:	
W/o winch	(cu ft) 1,610; (sq ft) 174
W/winch	(cu ft) 1,690; (sq ft) 183
Vehicle dimensions:	
Ground clearance	(in.) 12 1/2
Pintle height, empty	(in.) 34 1/2
Loading height, empty	(in.) 51
Body inside dimensions (in.):	
Length	147; Width 88; Height 60
Cargo space	(cu ft) 456
Electrical system	(volts) 24
No. of batteries	2
Type of ground	negative
Fuel octane rating	80
Capacities:	
Fuel	(gal) 50
Cooling system	(qt) 22
Crankcase, refill	(qt) 9

Purpose: To transport general cargo and personnel and tow 105-mm howitzer.

GENERAL DATA—Continued

Capacities:	
Transmission (qt)	w/o PTO 454; w/PTO 514
Transfer	(qt) 7
Axle	(qt) 7
Winch:	
Oil capacity	(qt) 1
Load capacity	(lb) 10,000
Brakes:	
Manufacturer	Timken-Detroit; Type: air-hydraulic
Parking brake, type	transfer
Transmission:	
Forward speeds	5
Gear ratio	High 1:1; Fourth 1.45:1; Low 7.55:1
Transfer:	
Speeds	2
Gear ratio	High 1:1; Low 1.98:1

PERFORMANCE

Computed grade ability in lowest gear, w/off-highway load	(percent) 65
Turning radius	(ft) 36
Fording depth	(in.) 72
Fuel consumption, loaded	(mpg) 6
Cruising range, loaded	(mi) 300
Allowable speed, governed	(mph) 58
Maximum pintle tow:	
Off highway, gross	6,000
On highway, gross	10,000

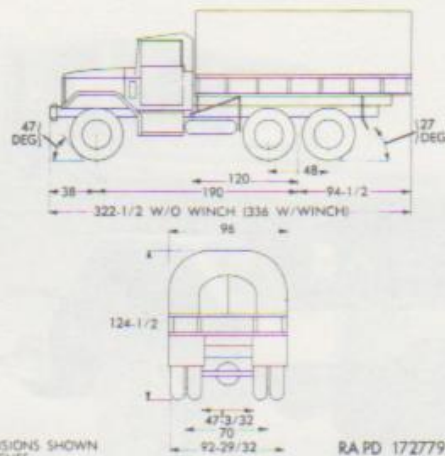
ENGINE

Manufacturer: Reo	Model 331 O A
Type:	4-cycle, valve-in-head; No. of cylinders (in line) 6
Displacement:	(cu in.) 331
Bore:	(in.) 4 1/2
Stroke:	(in.) 4 1/2
Compression ratio:	6.73:1
Governed speed:	(rpm) 3,400
Brake horsepower (max w/std accessories):	127 at (rpm) 3,400
Torque (max w/std accessories):	248 lb-ft at (rpm) 1,400

ADDITIONAL DATA

Axles, type:	double-reduction, full floating
Transmission, type:	synchromesh

TRUCK, CARGO, 2 1/2-TON, 6 x 6, M36, W AND W/O WINCH



NOTE: ALL DIMENSIONS SHOWN ARE IN INCHES

RA PD 172779

Technical Manuals: 9-819, 9-1819A, 9-1819B, 9-1825A, 9-1825D, 9-1827A, 9-1827C, 9-1828A; Supply Catalog: SNL G-742.

Purpose: To transport general cargo and personnel.

GENERAL DATA

Crew	2
Weight (lb)	Net w/o winch 13,500; w/winch 13,915
Payload:	
Off highway	5,000
On highway	10,000
Gross:	
Off highway	w/o winch 18,500; w/winch 18,915
On highway	w/o winch 23,500; w/winch 23,915
Axle gear ratio	6.722:1
Axle load (lb):	
Empty:	
Front:	
W/o winch	5,580; rear (each) w/o winch 3,960
W/winch	6,085; w/winch 3,915
Loaded:	
Off highway:	
Front:	
W/o winch	5,850; rear (each) w/o winch 6,325
W/winch	6,355; w/winch 6,280
On highway:	
Front:	
W/o winch	6,120; rear (each) w/o winch 8,690
W/winch	6,625; w/winch 8,645
Tires:	
Ply 8	Size 9.00 x 20; Pressure (psi) 45
Tread, center-to-center, front	(in.) 67 3/4
Shipping dimensions, uncrated:	
W/o winch	(cu ft) 2,240; (sq ft) 217
W/winch	(cu ft) 2,320; (sq ft) 223
Vehicle dimensions:	
Ground clearance	(in.) 12 1/2
Pintle height, empty	(in.) 34 3/4
Loading height, empty	(in.) 51 1/4
Body inside dimensions (in.):	
Length	204
Width	88
Height	60
Cargo space	(cu ft) 630
Electrical system	(volts) 24
No. of batteries	2
Type of ground	negative
Fuel octane rating	80

GENERAL DATA—Continued

Capacities:	
Fuel	(gal) 50
Cooling system	(qt) 22
Crankcase, refill	(qt) 9
Transmission (qt)	w/o PTO 4 1/4; w/PTO 5 1/4
Transfer	(qt) 7
Axle	(each) (qt) 7
Winch:	
Oil capacity	(qt) 1
Load capacity	(lb) 10,000
Brakes:	
Manufacturer	Timken-Detroit; Type; air-hydraulic
Parking brake, type	transfer
Transmission:	
Forward speeds	5
Gear ratio	High 1:1; Fourth 1.45:1; Low 7.55:1
Transfer:	
Speeds	2
Gear ratio	High 1:1; Low 1.98:1

PERFORMANCE

Computed grade ability in lowest gear w/off-highway load	(percent) 65
Turning radius	(ft) 45
Fording depth	(in.) 72
Fuel consumption, loaded	(mpg) 6
Cruising range, loaded	(mi) 300
Allowable speed, governed	(mph) 58
Maximum pintle tow:	
Off highway	gross (lb) 6,000
On highway	gross (lb) 10,000

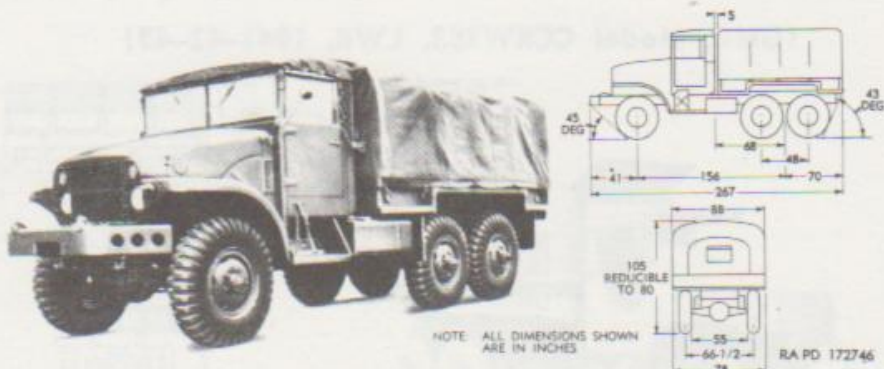
ENGINE

Manufacturer: Rco	Model 331 O A
Type	4-cycle, valve-in-head; No. of cylinders (in line) 6
Displacement	(cu in.) 331
Bore	(in.) 4 1/4
Stroke	(in.) 4 1/4
Compression ratio	6.73:1
Governed speed	(rpm) 3,400
Brake horsepower (max w/std accessories)	127 at (rpm) 3,400
Torque (max w/std accessories)	248 lb-ft at (rpm) 1,400

ADDITIONAL DATA

Axles, type	double-reduction, full-floating
Transmission, type	synchromesh

TRUCK, CARGO, 2 1/2-TON, 6 x 6, M135 W/ AND W/O WINCH



Technical Manual: 9-819A; Supply Catalog: SNL G-749.

Purpose: To transport general cargo and personnel and tow 105-mm howitzer.

GENERAL DATA

Crew	2
Weight (lb):	
Net..... w/o winch 12,330; w/winch 12,740	
Payload..... off highway 5,000; on highway 10,000	
Gross:	
Off highway:	
W/o winch.....	17,680
W/winch.....	18,090
On highway:	
W/o winch.....	22,680
W/winch.....	23,090
Live-axle gear ratio	6.17:1
Axle load (lb):	
Empty:	
Front:	
W/o winch.....	5,360
W/winch.....	5,540
Rear (each):	
W/o winch.....	3,485
W/winch.....	3,600
Loaded:	
Off highway:	
Front:	
W/o winch.....	5,780
W/winch.....	6,270
Rear (each):	
W/o winch.....	5,950
W/winch.....	5,910
On highway:	
Front:	
W/o winch.....	7,430
W/winch.....	7,970
Rear (each):	
W/o winch.....	7,625
W/winch.....	7,560
Tires:	
Ply 12.....	Size 11.00 x 20
Pressure (psi).....	On highway 70; off highway 35
Tread, center-to-center, front.....	(in.) 71
Shipping dimensions, uncrated	(cu ft) 1,425; (sq ft) 163
Vehicle dimensions:	
Ground clearance.....	(in.) 12 1/2
Pintle height, empty.....	(in.) 37 1/2
Loading height, empty.....	(in.) 45
Body inside dimensions (in.):	
Length.....	147; Width 80; Height 60
Cargo space.....	(cu ft) 408
Electrical system	(volts) 24
No. of batteries.....	2
Type of ground.....	negative

GENERAL DATA—Continued

Fuel octane rating	72
Capacities:	
Fuel.....	(gal) 56
Cooling system.....	(qt) 22
Crankcase, refill.....	(qt) 11
Transmission.....	(qt) 15
Transfer (qt).....	w/PTO 3 3/4; w/o PTO 3 1/4
Axles (qt).....	front 7 3/4; intermediate 6 3/4; rear 5 3/4
Winch:	
Oil capacity.....	(pt) 114
Load capacity.....	(lb) 10,000
Brakes:	
Manufacturer.....	Bendix; Type; air-hydraulic
Parking brake, type.....	transfer
Transmission:	
Forward speeds.....	8
High range.....	High 1:1; Third 1.55:1; Low 4.07:1
Low range.....	High 3.82:1; Third 5.92:1; Low 15.55:1
Transfer:	
Speeds.....	1
Gear ratio.....	1.16:1

PERFORMANCE

Computed grade ability in lowest gear w/off-highway load	(percent) 60
Turning radius	(ft) 35
Fording depth, w/o fording kit	(in.) 60
Fuel consumption, loaded	(mpg) 4
Cruising range, loaded	(mi) 234
Allowable speed, governed	(mph) 58
Maximum pintle tow:	
Off highway.....	gross (lb) 6,000
On highway.....	gross (lb) 10,000

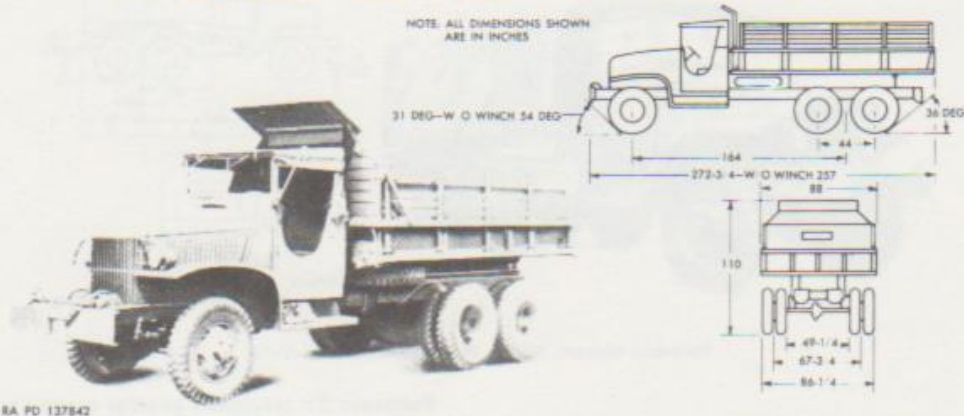
ENGINE

Manufacturer: GMC.....	Model 302
Type	4-cycle, valve-in-head; No. of cylinders (in line) 6
Displacement	(cu in.) 302
Bore	(in.) 4
Stroke	(in.) 4
Compression ratio	7.2:1
Governed speed	(rpm) 3,400
Brake horsepower (max w/std accessories)	130 at (rpm) 3,200
Torque, maximum, gross	262 lb-ft at (rpm) 1,200

ADDITIONAL DATA

Live axles, type	hypoid, full-floating
Transmission, type	hydraulic

TRUCK, CARGO AND DUMP, 2½-TON, 6 x 6, W/ AND W/O WINCH (GMC, Model CCKW353, LWB, 1941-42-43)



Technical Manuals: 9-801; 9-1801; 9-1802A; 9-1825A; 9-1826C; 9-1827C; 9-1828A; Supply Catalog: SNL G-508.

Classification: Standard.

GENERAL DATA

Crew.....	2
Weight (lb).....	Net 11,950
Payload:	
Off highway.....	5,350; Gross 17,300
On highway.....	8,500; Gross 20,450
Live-axle gear ratio.....	6.6:1
Axle load (lb):	
Empty.....	front 4,900; rear (each) 3,525
Loaded:	
Off highway.....	front 6,180; rear (each) 5,500
On highway.....	front 6,940; rear (each) 6,755
Tires:	
Ply 8.....	Size 7.50 x 20; Pressure (psi) 55
Tread, center-to-center, front.....	(in.) 62½
Shipping dimensions, uncrated:	
W/winch.....	(cu ft) 1,530; (sq ft) 167
W/o winch.....	(cu ft) 1,440; (sq ft) 157
Vehicle dimensions:	
Loading height, empty.....	(in.) 49½
Ground clearance.....	(in.) 9½
Pintle height, loaded.....	(in.) 31½
Body inside dimensions (in.):	
Length 120.....	Width 81½; Height 64
Body cargo space.....	(cu ft) 340
Electrical system.....	(volts) 6
No. of batteries.....	1
Type of ground.....	negative
Fuel octane rating.....	70
Capacities:	
Fuel.....	(gal) 40
Cooling system.....	(qt) 19
Crankcase, refill (qt).....	1-pc oil pan 10; 2-pc oil pan 7½
Transfer.....	(qt) 3
Transmission (qt).....	w/PTO 6½; w/o PTO 4½
Axles (qt).....	front 3
Bogie.....	front 3; rear 2½
Winch:	
Oil capacity.....	(qt) 1½
Load capacity.....	(lb) 10,000
Brakes:	
Manufacturer.....	GMC-Bendix; Type; hydrovac
Parking brake, type.....	transfer
Transmission:	
Forward speeds.....	5
Gear ratio.....	High 0.799:1; Fourth 1:1; Low 6.06:1

Purpose: To transport and dump earth, sand, gravel, coal, etc., and to carry general cargo.

GENERAL DATA—Continued

Transfer:	
Speeds.....	2
Gear ratio.....	High 1.16:1; Low 2.63:1

PERFORMANCE

Computed grade ability in lowest gear, loaded (percent).....	65
Turning radius.....	(ft) 35
Fording depth.....	(in.) 30
Fuel consumption, loaded.....	(mpg) 7½
Cruising range, loaded.....	(mi) 300
Allowable speed, governed.....	(mph) 45
Maximum recommended towed load., gross (lb):	
Off highway.....	4,500
On highway.....	7,500

ENGINE

Manufacturer: GMC.....	Model 270
Type.....	Valve-in-head, 4-cycle; No. of cylinders (in line) 6
Displacement.....	(cu in.) 269.5
Bore.....	(in.) 3¾½
Stroke.....	(in.) 4
Compression ratio.....	6.75:1
Governed speed.....	(rpm) 2,750
Brake horsepower (max w/std accessories).....	91.5 at (rpm) 2,750
Torque (max).....	216 lb-ft at (rpm) 1,400

ADDITIONAL DATA

Weights and axle loads given for vehicle w/winch. Weight of winch 700 lb.

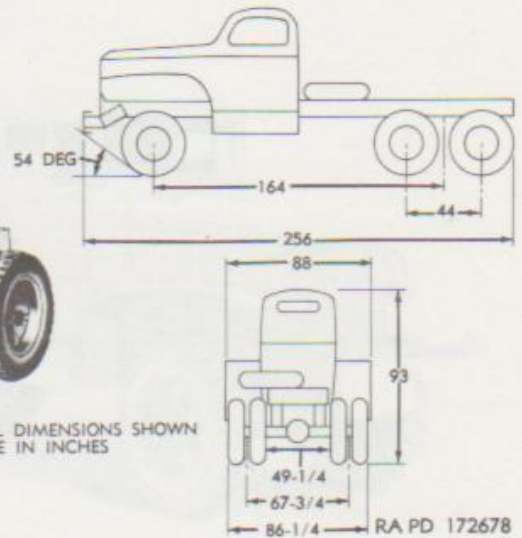
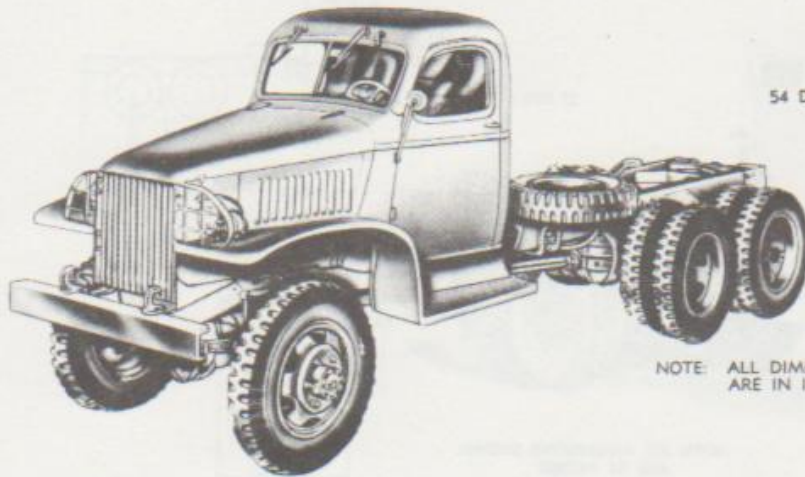
Live Axles, type.....	spiral-bevel, full-floating
Transmission, type.....	constant-mesh

Above data given for vehicles w/split-type axle. For vehicles w/banjo-type axle changes in data are as follows:

Tread dimensions (in.):	
Front.....	60
Rear.....	67½
Outside to outside.....	86
Inside to inside.....	49
Capacities:	
Transfer.....	(qt) 2½
Axles (qt).....	front 6½
Bogie.....	front 6½; rear 4¾

TRUCK, CHASSIS, 2½-TON, 6 x 6

(GMC, Models CCKWX353, 1941; CCKW353, 1941-42-43, LWB)



Technical Manuals: 9-801, 9-1801, 9-1802A, 9-1825A, 9-1826C, 9-1827C, 9-1828A; Supply Catalog: SNL G-508.

Vehicle illustrated: Model CCKW353.
Classification: Standard.

GENERAL DATA

Crew	1
Weight (lb)	Net 8,100
Live-axle gear ratio	6.6:1
Axle load (lb)	front 4,290; rear (each) 1,905
Tires:	
Ply 8	Size 7.50 x 20; Pressure (psi) 55
Tread, center-to-center, front	(in.) 62½
Shipping dimensions, uncrated	(cu ft) 1,220; (sq ft) 157
Vehicle dimensions:	
Ground clearance	(in.) 9¾
Pintle height, loaded	(in.) 31½
Electrical system	
No. of batteries	1
Type of ground	negative
Fuel octane rating	70
Capacities:	
Fuel	(gal) 40
Cooling system	(qt) 19
Crankcase, refill (qt)	1-pe oil pan 10; 2-pe oil pan 7½
Transmission	(qt) 4½
Transfer	(qt) 3
Axles (qt)	front 3
Bogie	front 3; rear 2½
Brakes:	
Manufacturer	GMC-Bendix; Type, hydrovac
Parking brake, type	transfer
Transmission:	
Forward speeds	5
Gear ratio	High 0.799:1; Fourth 1:1; Low 6.06:1
Transfer:	
Speeds	2
Gear ratio	High 1.16:1; Low 2.63:1

Purpose: For use as component of cargo or special-equipment vehicle.

PERFORMANCE

Computed grade ability in lowest gear, loaded	(percent) 65
Turning radius	(ft) 35
Fording depth	(in.) 30
Fuel consumption	(mpg) 9
Cruising range	(mi) 360
Allowable speed, governed	(mph) 45
Maximum recommended towed load:	
Off highway	gross (lb) 4,500
On highway	gross (lb) 7,500

ENGINE

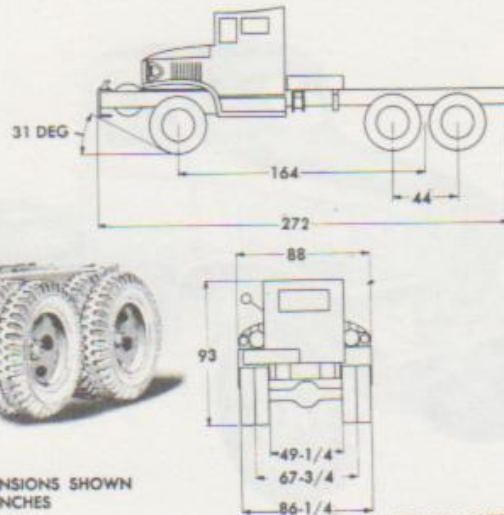
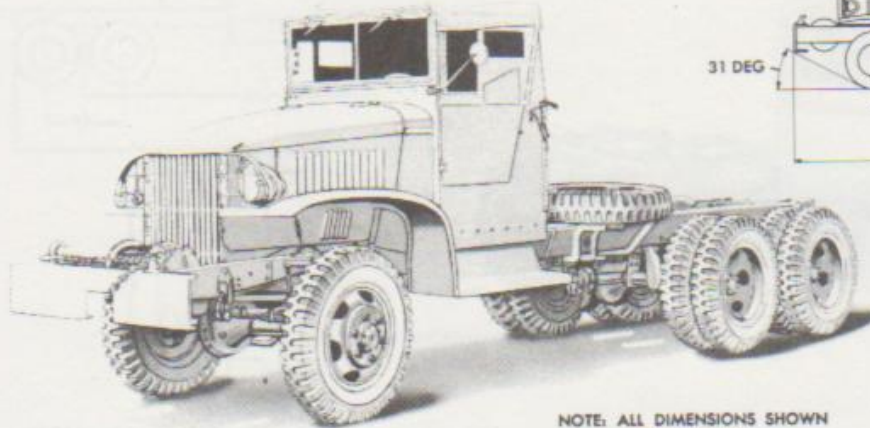
Manufacturer: GMC	Model 270
Type	Valve-in-head, 4-cycle; No. of cylinders (in line) 6
Displacement	(cu in.) 269.5
Bore	(in.) 3¾
Stroke	(in.) 4
Compression ratio	6.75:1
Governed speed	(rpm) 2,750
Brake horsepower (max w/std accessories)	91.5 at (rpm) 2,750
Torque (max)	216 lb-ft at (rpm) 1,400

ADDITIONAL DATA

Live axles, type	spiral-bevel, full-floating
Transmission, type	constant-mesh
Data given for vehicle with split-type axle. For banjo-type axle, changes in data are as follows:	
Tread dimensions:	
Front	(in.) 60
Rear	(in.) 67½
Outside to outside	(in.) 86
Inside to inside	(in.) 49
Capacities:	
Transfer	(qt) 2¼
Axles (qt)	front 6½
Bogie	front 6½; rear 5¼

TRUCK, CHASSIS, 2½-TON, 6 x 6, W/WINCH

(GMC, Model CCKWX353, LWB, 1941)



NOTE: ALL DIMENSIONS SHOWN
ARE IN INCHES

RA PD 137733

Technical Manuals: 9-801; 9-1801; 9-1802A; 9-1825A; 9-1826C; 9-1828A; Supply Catalog: SNL G-508.

Classification: Standard.

GENERAL DATA

Crew	1
Weight (lb)	Net 8,800
Live-axle gear ratio	6.6:1
Axle load (lb)	front 4,900; rear (each) 1,905
Tires:	
Ply 8; Size 7.50 x 20; Pressure	(psi) 55
Tread, center-to-center, front	(in.) 62¼
Shipping dimensions, uncrated	(cu ft) 1,290; (sq ft) 166
Vehicle dimensions:	
Ground clearance	(in.) 9¾
Pintle height, loaded	(in.) 31½
Electrical system	
No. of batteries	1
Type of ground	negative
Fuel octane rating	70
Capacities:	
Fuel	(gal) 40
Cooling system	(qt) 19
Crankcase, refill (qt.)	1-pe oil pan 10; 2-pe oil pan 7½
Transmission	(qt) 6¼
Transfer	(qt) 3
Axles (qt)	front 3
Bogie	front 3; rear 2½
Winch:	
Oil capacity	(qt) 1½
Load capacity	(lb) 10,000
Brakes:	
Manufacturer: GMC-Bendix	Type: hydrovac
Parking brake, type	transfer
Transmission:	
Forward speeds	5
Gear ratio	High 0.799:1; Fourth 1:1; Low 6.06:1
Transfer:	
Speeds	2
Gear ratio	High 1.16:1; Low 2.63:1

Purpose: For use as component of cargo or special equipment vehicle.

PERFORMANCE

Computed grade ability in lowest gear, loaded	(percent) 65
Turning radius	(ft) 35
Fording depth	(in.) 30
Fuel consumption	(mpg) 9
Cruising range	(mi) 360
Allowable speed, governed	(mph) 45
Maximum recommended towed load, gross	(lb) 10,000

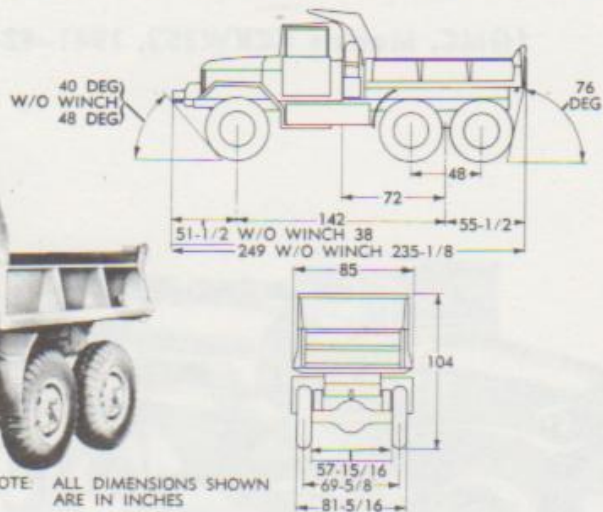
ENGINE

Manufacturer: GMC	Model 270
Type	Valve-in-head, 4-cycle; No. of cylinders (in line) 6
Displacement	(cu in.) 269.5
Bore	(in.) 3¾
Stroke	(in.) 4
Compression ratio	6.75:1
Governed speed	(rpm) 2,750
Brake horsepower (max w/std accessories)	91.5 at (rpm) 2,750
Torque (max)	216 lb-ft at (rpm) 1,400

ADDITIONAL DATA

Live axles, type	spiral-bevel, full-floating
Transmission, type	constant-mesh
Data given for vehicle with split-type axle. For banjo-type axle, changes in data are as follows:	
Tread dimensions:	
Front	(in.) 60
Rear	(in.) 67½
Outside to outside	(in.) 86
Inside to inside	(in.) 49
Capacities:	
Transfer	(qt) 2¼
Axles (qt)	front 6¼
Bogie	front 6¼; rear 5¼

TRUCK, DUMP, 2 1/2-TON, 6 x 6, M47, W/ AND W/O WINCH



Technical Manuals: 9-819, 9-1819A, 9-1819B, 9-1825A, 9-1826D, 9-1827A, 9-1827C, 9-1828A; Supply Catalog: SNL G-742.

Purpose: To haul and dump earth, sand, gravel, coal, etc., and to transport general cargo.

GENERAL DATA

Crew	2
Weight (lb):	
Net	w/o winch 13,540; w/winch 13,860
Payload:	
Off highway	5,000
On highway	10,000
Gross:	
Off highway	w/o winch 18,450; w/winch 18,860
On highway	w/o winch 23,450; w/winch 23,860
Axle gear ratio	6.722:1
Axle load (lb):	
Empty:	
Front:	
W/o winch	5,580; rear (each) w/o winch 3,935
W/winch	6,110; w/o winch 3,875
Loaded:	
Off highway:	
Front:	
W/o winch	5,630; rear (each) w/o winch 6,410
W/winch	6,110; w/o winch 6,350
On highway:	
Front:	
W/o winch	5,680; rear (each) w/o winch 8,885
W/winch	6,210; w/o winch 8,825
Tires:	
Ply 12	Size 11.00 x 20; Pressure (psi) 50
Tread, center-to-center, front	(in.) 69 3/4
Shipping dimensions, uncrated:	
W/o winch	(cu ft) 1,200; (sq ft) 139
W/winch	(cu ft) 1,270; (sq ft) 147
Vehicle dimensions:	
Ground clearance	(in.) 13 3/4
Pintle height, empty	(in.) 34 3/4
Body inside dimensions (in.):	
Length	108; Width 70; Height 15
Struck capacity	(cu yds) 2 1/4
Electrical system	(volts) 24
No. of batteries	2
Type of ground	negative
Fuel octane rating	80
Brakes:	
Manufacturer	Timken-Detroit; Type: air-hydraulic
Parking brake, type	transfer

GENERAL DATA—Continued

Capacities:	
Fuel	(gal) 50
Cooling system	(qt) 22
Crankcase, refill	(qt) 9
Transmission (qt)	w/o PTO 434; w/PTO 514
Transfer	(qt) 7
Axles (each)	(qt) 7
Winch:	
Oil capacity	(qt) 1
Load capacity	(lb) 10,000
Transmission:	
Forward speeds	5
Gear ratio	High 1:1; Fourth 1.45:1; Low 7.55:1
Transfer:	
Speeds	2
Gear ratio	High 1:1; Low 1.98:1

PERFORMANCE

Computed grade ability in lowest gear, w/off-highway load	(percent) 65
Turning radius	(ft) 35
Fording depth	(in.) 72
Fuel consumption, loaded	(mpg) 6
Cruising range, loaded	(mi) 300
Allowable speed, governed	(mph) 62
Maximum pintle tow:	
Off highway	gross (lb) 6,000
On highway	gross (lb) 10,000

ENGINE

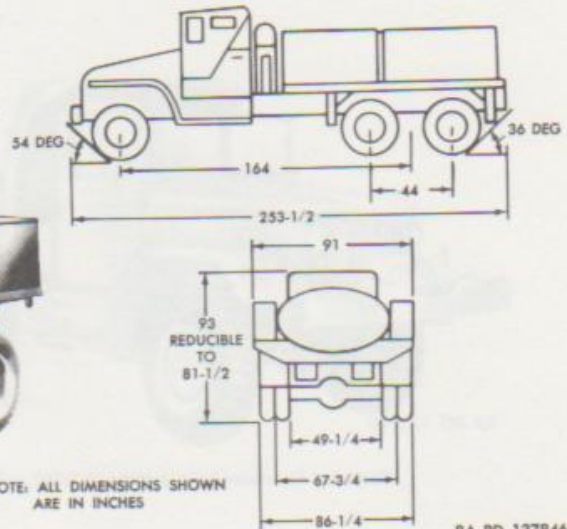
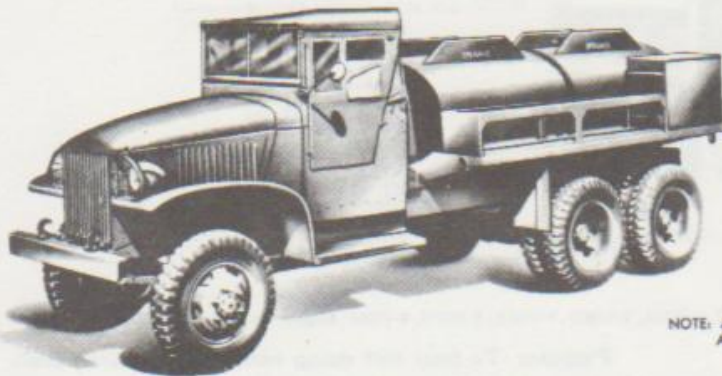
Manufacturer: Reo	Model 331 O A
Type	4-cycle, valve-in-head; No. of cylinders (in line) 6
Displacement	(cu in.) 331
Bore	(in.) 4 3/4
Stroke	(in.) 4 3/4
Compression ratio	6.73:1
Governed speed	(rpm) 3,400
Brake horsepower (max w/std accessories)	127 at (rpm) 3,400
Torque (max w/std accessories)	248 lb-ft at (rpm) 1,400

ADDITIONAL DATA

Axles, type	double-reduction, full-floating
Transmission, type	synchronesh

TRUCK, GASOLINE TANK, 2½-TON, 6 x 6, 750-GAL

(GMC, Models CCKW353, 1941-42-43; CCKWX353, 1941, LWB)



NOTE: ALL DIMENSIONS SHOWN ARE IN INCHES

RA PD 137846

Technical Manuals: 9-801, 9-1801, 9-1802A, 9-1825A, 9-1826C, 9-1827B, 9-1827C, 9-1828A; Supply Catalog: SNL G-508.

Classification: Standard.

Purpose: To transport and dispense gasoline.

GENERAL DATA

Crew	2
Weight (lb)	Net 10,750; Payload 5,350; Gross 16,100
Live-axle gear ratio	6.6:1
Axle load (lb):	
Empty	front 4,126; rear (each) 3,312
Loaded	front 4,480; rear (each) 5,510
Tires:	
Ply s.	Size 7.50 x 20; Pressure (psi) 55
Tread, center-to-center, front	(in.) 62¼
Shipping dimensions, uncrated	(cu ft) 1,242; (sq ft) 160
Ground clearance	(in.) 9¾
Electrical system	(volts) 6
No. of batteries	1
Type of ground	negative
Fuel octane rating	70
Capacities:	
Fuel	(gal) 40
Cooling system	(qt) 19
Crankcase, refill (qt)	1-pc oil pan 10; 2-pc oil pan 7½
Transfer	(qt) 3
Transmission	(qt) 4½
Axles (qt)	front 3
Bogie	front 3; rear 2½
Brakes:	
Manufacturer	GMC-Bendix; Type; hydrovac
Parking brake, type	transfer
Transmission:	
Forward speeds	5
Gear ratio	High 0.799:1; Fourth 1:1; Low 6.06:1
Transfer:	
Speeds	2
Gear ratio	High 1.16:1; Low 2.63:1

PERFORMANCE

Computed grade ability in lowest gear, loaded	(percent) 65
Turning radius	(ft) 35
Fording depth	(in.) 30
Fuel consumption, loaded	(mpg) 7½
Cruising range, loaded	(mi) 300
Allowable speed, governed	(mph) 45

ENGINE

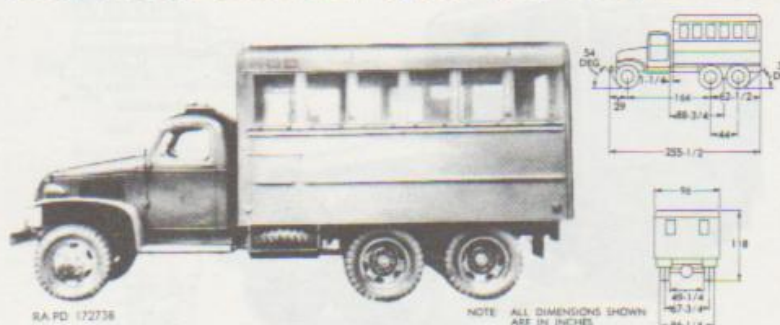
Manufacturer: GMC	Model 270
Type	Valve-in-head, 4-cycle; No. of cylinders (in line) 6
Displacement	(cu in.) 269.5
Bore	(in.) 3¾
Stroke	(in.) 4
Compression ratio	6.75:1
Governed speed	(rpm) 2,750
Brake horsepower (max w/std accessories)	91.5 at (rpm) 2,750
Torque (max)	216 lb-ft at (rpm) 1,400

ADDITIONAL DATA

Live axles, type	spiral-bevel, full-floating
Transmission, type	constant-mesh
Data given for vehicle with split-type axle. For banjo-type axle, changes in data are as follows:	
Tread dimensions:	
Front	(in.) 60
Rear	(in.) 67½
Outside to outside	(in.) 86
Inside to inside	(in.) 49
Capacities:	
Transfer	(qt) 2¼
Axles (qt)	front 6½
Bogie	front 6½; rear 5¼

TRUCK, SHOP VAN, 2 1/2-TON, 6 x 6

GMC, Model CCKW353, w/ST5 Non-Collapsible Body)



Technical Manuals: 9-801, 9-1801, 9-1802A, 9-1825A, 9-1826C, 9-1827B, 9-1827C, 9-1828A, 9-1829A; Supply Catalogs: SNL G-138, 139, 140, 141, 142, 146, 229, 508

GENERAL DATA

Crew	2
Weight (lb)	Net 10,100; Payload 5,000; Gross 15,100
Axle gear ratio	6.66:1
Axle load (lb):	
Empty.....	front 3,366; rear (each) 3,367
Loaded.....	front 3,856; rear (each) 5,622
Tires:	
Ply 8.....	Size 7.50 x 20; Pressure (psi) 55
Tread, center-to-center, front.....	(in.) 62 1/4
Shipping dimensions, uncrated	(cu ft) 1,690; (sq ft) 171
Vehicle dimensions:	
Ground clearance.....	(in.) 9 3/4
Pintle height, empty.....	(in.) 31 1/2
Loading height, empty.....	(in.) 40 1/2
Body inside dimensions (in.):	
Length.....	144
Width.....	90
Height.....	75 1/2
Cargo space.....	(cu ft) 565
Electrical system	(volts) 6
No. of batteries.....	1
Type of ground.....	negative
Fuel octane rating	70
Capacities:	
Fuel.....	(gal) 40
Cooling system.....	(qt) 19
Crankcase, refill (qt).....	1-pc oil pan 10; 2-pc oil pan 7 1/2
Transmission.....	(qt) 4 1/2
Transfer.....	(qt) 3
Axles (qt).....	front 3
Bogie.....	front 3; rear 2 1/2
Brakes:	
Manufacturer.....	GMC-Bendix; Type; hydrovac
Parking brake, type.....	transfer
Transmission:	
Forward speeds.....	5
Gear ratio.....	High 0.799:1; Fourth 1:1; Low 6.06:1
Transfer:	
Speeds.....	2
Gear ratio.....	High 1.16:1; Low 2.63:1

PERFORMANCE

Computed grade ability in lowest gear, loaded	(percent) 65
Turning radius (ft)	Right 35; Left 36
Fording depth	(in.) 30
Fuel consumption, loaded	(mpg) 7 1/2
Cruising range, loaded	(mi) 300
Allowable speed, governed	(mph) 45
Maximum pintle tow:	
Off highway.....	gross (lb) 4,500
On highway.....	gross (lb) 7,500

Classification: Nonclassified.

Purpose: To provide mobile facilities for maintenance and repair for various services.

ENGINE

Manufacturer: GMC.....	Model 270
Type	4-cycle, valve-in-head; No. of cylinders (in line) 6
Displacement	(cu in.) 270
Bore	(in.) 3 3/4
Stroke	(in.) 4
Compression ratio	6.75:1
Governed speed	(rpm) 2,750
Brake horsepower (max w/std accessories)	92 at (rpm) 2,750
Torque (max w/std accessories)	216 lb-ft at (rpm) 1,400

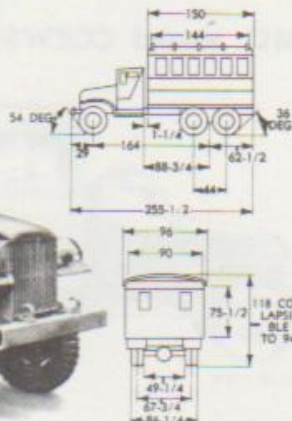
ADDITIONAL DATA

Axles, type	spiral-bevel, full-floating
Transmission, type	constant-mesh
Insulated body and personnel heater.	
Above data given for vehicles with split axle; for banjo axle, changes in data are as follows:	
Tread dimensions:	
Front.....	(in.) 60
Rear.....	(in.) 67 1/2
Outside to outside.....	(in.) 86
Inside to inside.....	(in.) 49
Capacities:	
Transfer.....	(qt) 2 1/2
Axles (qt).....	front 6 1/2
Bogie.....	front 6 1/2; rear 5 1/2

The same chassis and body is also used in the following vehicles:

Truck, 2 1/2-ton, 6 x 6, Artillery Repair, M9.....	(L Std)
Truck, 2 1/2-ton, 6 x 6, Artillery Repair, M9A1.....	(Std)
Truck, 2 1/2-ton, 6 x 6, Automotive Repair, Load A, M8.....	(L Std)
Truck, 2 1/2-ton, 6 x 6, Automotive Repair, Load B, M8.....	(L Std)
Truck, 2 1/2-ton, 6 x 6, Electrical Repair, M18.....	(L Std)
Truck, 2 1/2-ton, 6 x 6, Instrument Repair, Load A, M10.....	(L Std)
Truck, 2 1/2-ton, 6 x 6, Instrument Repair, Load B, M10.....	(L Std)
Truck, 2 1/2-ton, 6 x 6, Instrument Repair, Load A, M10A1.....	(Std)
Truck, 2 1/2-ton, 6 x 6, Instrument Repair, Load B, M10A1.....	(Std)
Truck, 2 1/2-ton, 6 x 6, Machine Shop, Load A, M16.....	(L Std)
Truck, 2 1/2-ton, 6 x 6, Machine Shop, Load B, M16.....	(L Std)
Truck, 2 1/2-ton, 6 x 6, Machine Shop, Load B1, M16.....	(L Std)
Truck, 2 1/2-ton, 6 x 6, Machine Shop, Load B2, M16.....	(L Std)
Truck, 2 1/2-ton, 6 x 6, Machine Shop, Load C, M16.....	(L Std)
Truck, 2 1/2-ton, 6 x 6, Machine Shop, Load D, M16.....	(L Std)
Truck, 2 1/2-ton, 6 x 6, Machine Shop, Load F, M16.....	(L Std)
Truck, 2 1/2-ton, 6 x 6, Small Arms Repair, M7.....	(L Std)
Truck, 2 1/2-ton, 6 x 6, Small Arms Repair (Signal Corps), M7.....	(L Std)
Truck, 2 1/2-ton, 6 x 6, Spare Parts, Load A, M14.....	(L Std)
Truck, 2 1/2-ton, 6 x 6, Spare Parts, Load B, M14.....	(L Std)
Truck, 2 1/2-ton, 6 x 6, Welding, M12.....	(L Std)

TRUCK, SHOP VAN, 2 1/2-TON, 6 x 6, M535



NOTE ALL DIMENSIONS SHOWN ARE IN INCHES
RA PD 172768

Technical Manuals: 9-801, 9-1801, 9-1802A, 9-1825A, 9-1826C, 9-1827B, 9-1827C, 9-1828A, 9-1829A; Supply Catalogs: SNL G-138, 139, 142, 146, 149, 178, 229, 294, 235, 508

Classification: Standard.

Purpose: To provide mobile facilities for maintenance and repair for various services.

GENERAL DATA

Crew	2
Weight (lb)	Net 10,100; Payload 5,000; Gross 15,100
Axle gear ratio	6.66:1
Axle load (lb):	
Empty	front 3,366; rear (each) 3,367
Loaded	front 3,856; rear (each) 5,622
Tires:	
Ply 8	Size 7.50 x 20; Pressure (psi) 55
Tread, center-to-center, front	(in.) 62 1/2
Shipping dimensions, uncrated	(cu ft) 1,340; (sq ft) 171
Vehicle dimensions:	
Ground clearance	(in.) 9 1/4
Pintle height, empty	(in.) 31 1/2
Loading height, empty	(in.) 49 1/2
Electrical system	(volts) 6
No. of batteries	1
Type of ground	negative
Fuel octane rating	70
Capacities:	
Fuel	(gal) 40
Cooling system	(qt) 19
Crankcase, refill (qt)	1-pc oil pan 10; 2-pc oil pan 7 1/2
Transmission	(qt) 4 1/2
Transfer	(qt) 3
Axles (qt)	front 3
Bogie	front 3; rear 2 1/2
Brakes:	
Manufacturer	GMC-bendix; Type; hydrovac
Parking brake, type	transfer
Transmission:	
Forward speeds	5
Gear ratio	High 0.799:1; Fourth 1:1; Low 6.06:1
Transfer:	
Speeds	2
Gear ratio	High 1.16:1; Low 2.63:1

PERFORMANCE

Computed grade ability in lowest gear, loaded	(percent) 65
Turning radius (ft)	Right 35; Left 36
Fording depth	(in.) 30
Fuel consumption, loaded	(mpg) 7 1/2
Cruising range, loaded	(mi) 300
Allowable speed, governed	(mpg) 45
Maximum pintle to w:	
Off highway	gross (lb) 4,500
On highway	gross (lb) 7,500

ENGINE

Manufacturer: GMC	Model 270
Type	4-cycle, valve-in-head; No. of cylinders (in line) 6
Displacement	(cu in.) 270
Bore	(in.) 3 7/8
Stroke	(in.) 4
Compression ratio	6.75:1
Governed speed	(rpm) 2,750
Brake horsepower (max w/std accessories)	92 at (rpm) 2,750
Torque (max w/std accessories)	216 lb-ft at (rpm) 1,400

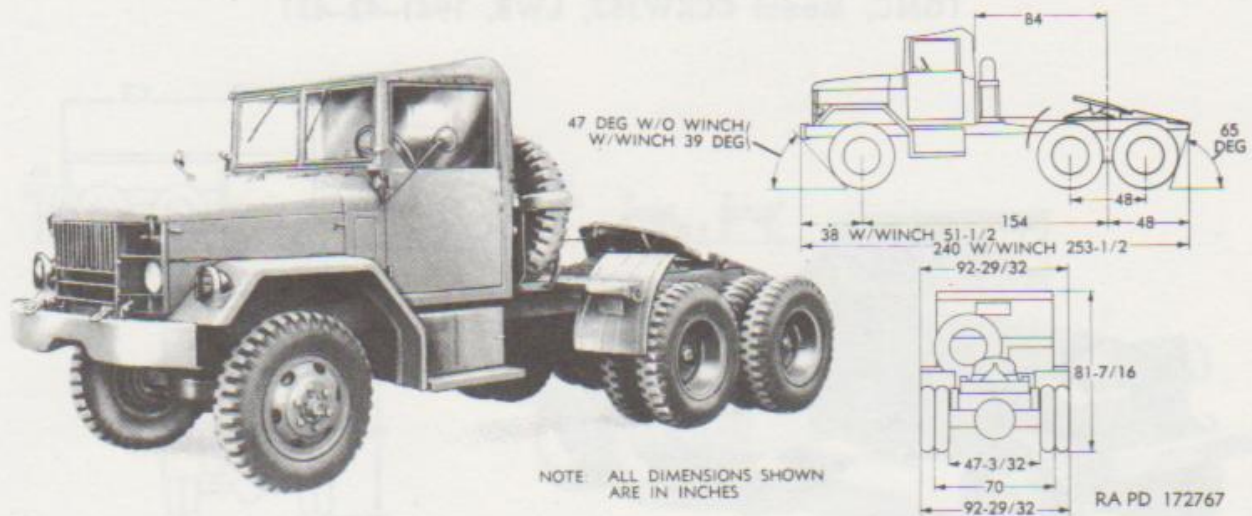
ADDITIONAL DATA

Axles, type	spiral-bevel, full-floating
Transmission, type	constant-mesh
Insulated body and personnel heater.	
Above data given for vehicles with split axle; for banjo axle, changes in data are as follows:	
Tread dimensions:	
Front	(in.) 60
Rear	(in.) 67 1/2
Outside to outside	(in.) 86
Inside to inside	(in.) 49
Capacities:	
Transfer	(qt) 2 1/2
Axles (qt)	Front 6 1/2
Bogie	front 6 1/2; rear 5 1/2

The same chassis and body is also used in the following vehicles:

Truck, 2 1/2-ton, 6 x 6, Automotive Repair, Load A, M8A1	(L Std)
Truck, 2 1/2-ton, 6 x 6, Automotive Repair, Load B, M8A1	(L Std)
Truck, 2 1/2-ton, 6 x 6, Electrical Repair, M18A1	(L Std)
Truck, 2 1/2-ton, 6 x 6, Electrical Repair, M18A2	(Std)
Truck, 2 1/2-ton, 6 x 6, Instrument Bench, M23	(Std)
Truck, 2 1/2-ton, 6 x 6, Machine Shop, Load A, M16A1	(L Std)
Truck, 2 1/2-ton, 6 x 6, Machine Shop, Load B, M16A1	(L Std)
Truck, 2 1/2-ton, 6 x 6, Machine Shop, Load B1, M16A1	(L Std)
Truck, 2 1/2-ton, 6 x 6, Machine Shop, Load B2, M16A1	(L Std)
Truck, 2 1/2-ton, 6 x 6, Machine Shop, Load C, M16A1	(Std)
Truck, 2 1/2-ton, 6 x 6, Machine Shop, Load D, M16A1	(Std)
Truck, 2 1/2-ton, 6 x 6, Machine Shop, Load F, M16A1	(Std)
Truck, 2 1/2-ton, 6 x 6, Machine Shop, Load A, M16A2	(Std)
Truck, 2 1/2-ton, 6 x 6, Machine Shop, Load B, M16A2	(Std)
Truck, 2 1/2-ton, 6 x 6, Signal Corps General Repair, M30	(Std)
Truck, 2 1/2-ton, 6 x 6, Signal Corps General Repair, M31	(Std)
Truck, 2 1/2-ton, 6 x 6, Signal Corps General Repair, M32	(Std)
Truck, 2 1/2-ton, 6 x 6, Small Arms Repair, M7A1	(L Std)
Truck, 2 1/2-ton, 6 x 6, Small Arms Repair, M7A2	(Std)
Truck, 2 1/2-ton, 6 x 6, Tire Repair, Load A, M32	(Std)
Truck, 2 1/2-ton, 6 x 6, Tire Repair, Load B, M32	(Std)
Truck, 2 1/2-ton, 6 x 6, Welding, M12A1	(L Std)

TRUCK, TRACTOR, 2½-TON, 6 x 6, M48, W/ AND W/O WINCH



Technical Manuals: 9-819, 9-1819A, 9-1819B, 9-1825A, 9-1826D, 9-1827A, 9-1827C, 9-1828A; Supply Catalog: SNL G-742.

GENERAL DATA

Crew	2
Weight (lb):	
Net	w/o winch 11,430; w/winch 11,841
Payload:	
Off highway	7,000
On highway	12,000
Gross:	
Off highway	w/o winch 18,430; w/winch 18,841
On highway	w/o winch 23,430; w/winch 23,841
Axle gear ratio	6.722:1
Axle load (lb):	
Empty:	
Front:	
W/o winch	5,420; rear (each) w/o winch 3,005
W/winch	5,915; w/winch 2,963
Loaded:	
Off highway:	
Front:	
W/o winch	5,600; rear (each) w/o winch 6,415
W/winch	6,097; w/winch 6,372
On highway:	
Front:	
W/o winch	5,227; rear (each) w/o winch 8,850
W/winch	5,730; w/winch 8,807
Tires:	
Ply 8	Size 9.00 x 20; Pressure (psi) 45
Tread, center-to-center, front	(in.) 67½
Shipping dimensions, uncrated:	
W/o winch	(cu ft) 1,058; (sq ft) 155
W/winch	(cu ft) 1,118; (sq ft) 164
Vehicle dimensions:	
Ground clearance	(in.) 12¾
Pintle height, empty	(in.) 34¾
Height to center of fifth wheel, empty	(in.) 51¾
Height to rear of fifth wheel, empty	(in.) 39¾
Fifth wheel mounted forward of bogie axle	(in.) 4
Electrical system	(volts) 24
No. of batteries	(12-volts) 2
Type of ground	negative
Fuel octane rating	80
Brakes:	
Manufacturer	Timken-Detroit; Type; air hydraulic
Parking brake, type	transfer

Purpose: To tow semitrailers.

GENERAL DATA—Continued

Capacities:	
Fuel	(gal) 80
Cooling system	(qt) 22
Crankcase, refill	(qt) 9
Transmission (qt)	w/o PTO 4¼; w/PTO 5¼
Transfer	(qt) 7
Axles	(each) (qt) 7
Winch:	
Oil capacity	(qt) 1
Load capacity	(lb) 10,000
Transmission:	
Forward speeds	5
Gear ratio	High 1:1; Fourth 1.45:1; Low 7.55:1
Transfer:	
Speeds	2
Gear ratio	High 1:1; Low 1.98:1

PERFORMANCE

Computed grade ability in lowest gear, w/off-highway load	(percent) 40
Turning radius	(ft) 36
Fording depth	(in.) 72
Fuel consumption, loaded	(mpg) 6
Cruising range, loaded	(mi) 300
Allowable speed, governed	(mph) 58
Maximum pintle to w:	
Off highway	gross (lb) 6,000
On highway	gross (lb) 10,000
Maximum semitrailer, gross	(lb) 25,000

ENGINE

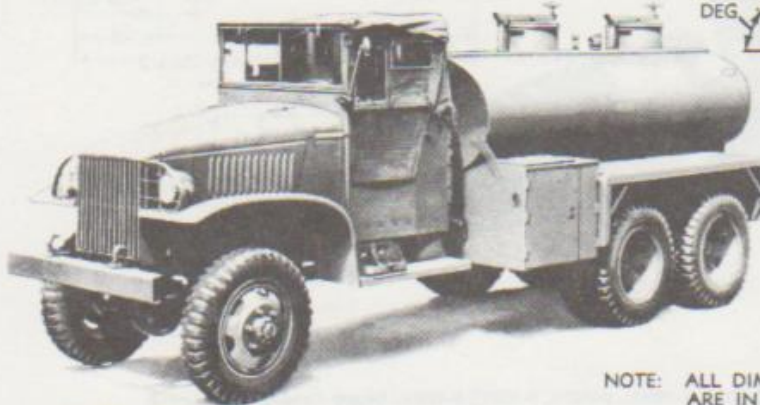
Manufacturer: Reo	Model 331 O.A
Type	4-cycle, valve-in-head; No. of cylinders (in line) 6
Displacement	(cu in.) 331
Bore	(in.) 4¼
Stroke	(in.) 4¼
Compression ratio	6.73:1
Governed speed	(rpm) 3,400
Brake horsepower (max w/std accessories)	127 at (rpm) 3,400
Torque (max w/std accessories)	245 lb-ft at (rpm) 1,400

ADDITIONAL DATA

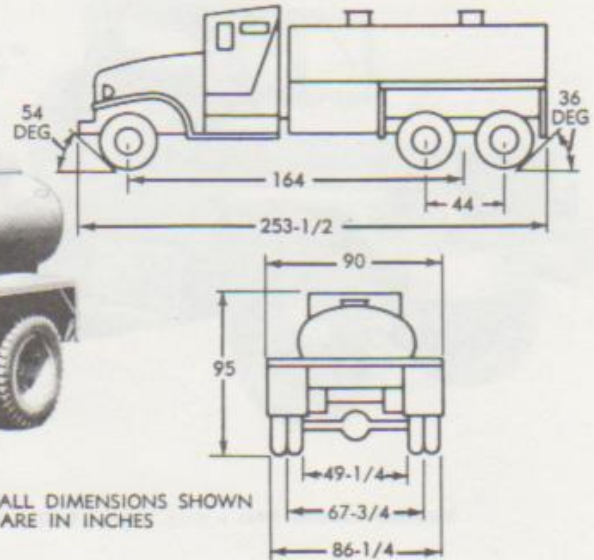
Axles, type	double-reduction, full-floating
Transmission, type	synchromesh

TRUCK, WATER TANK, 2½-TON, 6 x 6, 700-GAL

(GMC, Model CCKW353, LWB, 1941-42-43)



RA PD 172694



NOTE: ALL DIMENSIONS SHOWN ARE IN INCHES

Technical Manuals: 9-801, 9-1801, 9-1802A, 9-1825A, 9-1826C, 9-1827B, 9-1828A; Supply Catalog: 8NL G-508.

Classification: Standard.

Purpose: To transport drinking water.

GENERAL DATA

Crew	2
Weight (lb)	Net 11,913; Payload 5,350; Gross 17,263
Live-axle gear ratio	6.6:1
Axle load (lb.):	
Empty	front 4,261; rear (each) 3,526
Loaded	front 6,151; rear (each) 5,556
Tires:	
Ply 8	Size 7.50 x 20; Pressure (psi) 55
Tread, center-to-center, front	(in.) 62¼
Shipping dimensions, uncrated	(cu ft) 1,280; (sq ft) 159
Ground clearance	(in.) 9¾
Electrical system	(volts) 6
No. of batteries	1
Type of ground	negative
Fuel octane rating	70
Capacities:	
Fuel	(gal) 40
Cooling system	(qt) 19
Crankcase, refill (qt)	1-pc oil pan 10; 2-pc oil pan 7½
Transfer	(qt) 3
Transmission	(qt) 4½
Axles (qt)	front 3
Bogie	front 3; rear 2½
Brakes:	
Manufacturer	GMC-Bendix; Type; hydrovac
Parking brake, type	transfer
Transmission:	
Forward speeds	5
Gear ratio	High 0.799:1; Fourth 1:1; Low 0.06:1
Transfer:	
Speeds	2
Gear ratio	High 1.16:1; Low 2.63:1

PERFORMANCE

Computed grade ability in lowest gear, loaded	(percent) 65
Turning radius	(ft) 35
Fording depth	(in.) 30
Fuel consumption, loaded	(mpg) 7½
Cruising range, loaded	(mi) 300
Allowable speed, governed	(mph) 45

ENGINE

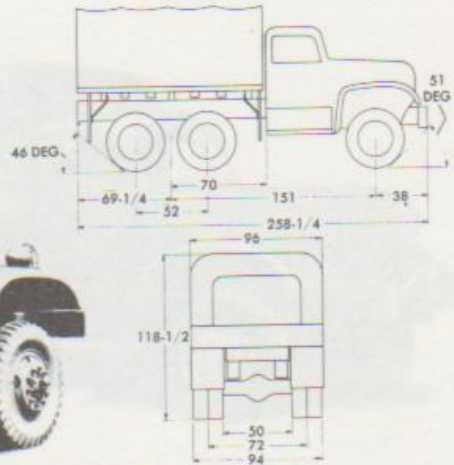
Manufacturer:	GMC	Model 270
Type	Valve-in-head, 4-cycle; No. of cylinders (in line)	6
Displacement	(cu in.)	209.5
Bore	(in.)	3¾
Stroke	(in.)	4
Compression ratio		6.75:1
Governed speed	(rpm)	2,750
Brake horsepower (max w/std accessories)		91.5 at (rpm) 2,750
Torque (max)		216 lb-ft at (rpm) 1,400

ADDITIONAL DATA

Live axles, type	spiral-bevel, full-floating
Transmission, type	constant-mesh
Data given for vehicle with split-type axle. For banjo-type, changes in data are as follows:	
Tread, center-to-center, front 60 in.; rear 67½ in., outside to outside 86 in., inside to inside 49 in.	
Capacities:	
Transfer	(qt) 2¼
Axles (qt)	front 6½
Bogie	front 6¼; rear 5¼

TRUCK, CARGO, 4-TON, 6 x 6

(Diamond T, Model 968A, SWB, 1942)



NOTE: ALL DIMENSIONS SHOWN ARE IN INCHES

RA PD 137756

Technical Manuals: 9-811, 9-1811, 9-1825B, 9-1826C, 9-1827A, 9-1828A, 9-1832A; Supply Catalog: SNL G-309.

Classification: Standard.

Purpose: To transport general cargo and tow 155-mm howitzer.

GENERAL DATA

Crew	2
Weight (lb)	Net 17,200
Payload w/crew	off highway 8,350; on highway 17,300
Gross	off highway 25,550; on highway 34,500
Live-axle gear ratio	8.435:1
Axle load (lb):	
Empty	front 6,620; rear each 5,290
Loaded:	
Off highway	front 6,870; rear each 9,340
On highway	front 6,870; rear each 13,815
Tires:	
Ply 10; Size 9.00 x 20; Pressure	(psi) 65
Tread, center-to-center, front	(in.) 73 3/4
Shipping dimensions, uncrated	(cu ft) 1,700; (sq ft) 172
Vehicle dimensions:	
Ground clearance	(in.) 11
Pintle height, loaded	(in.) 36 1/4
Loading height, empty	(in.) 58 1/4
Body inside dimensions (in.):	
Length	132
Width	88
Height	59
Cargo space	(cu ft) 397
Electrical system (12-volt starting)	(vo ts) 6
No. of batteries	(6-volt) 2
Type of ground	positive
Fuel octane rating	72
Capacities:	
Fuel	(gal) 60
Cooling system	(qt) 48
Crankcase, refill	(qt) 16
Transmission	(qt) 10 1/2
Transfer	(qt) 1 1/2
Axles (qt)	front 7 1/4; rear (each) 3 1/4
Winch:	
Oil capacity	(qt) 1 1/4
Load capacity	(lb) 15,000

GENERAL DATA—Continued

Brakes:	
Manufacturer: Bendix-Westinghouse	Type: air
Parking brake, type	transmission
Transmission:	
Forward speeds	5
Gear ratio	High 0.768:1; Fourth 1:1; Low 7.08:1
Transfer:	
Speeds	2
Gear ratio	High 1:1; Low 1.72:1

PERFORMANCE

Computed grade ability in lowest gear, loaded	(percent) 65
Turning radius (ft)	Right 32 1/4; Left 34
Fording depth	(in.) 24
Fuel consumption, loaded	(mpg) 3
Cruising range, loaded	(mi) 180
Allowable speed, governed	(mph) 40
Maximum recommended towed load:	
Off highway, gross	(lb) 11,000
On highway, gross	(lb) 25,000

ENGINE

Manufacturer: Hercules	Model RX C
Type	L-head, 4-cycle; No. of cylinders (in line) 6
Displacement	(cu in.) 529
Bore	(in.) 4 3/4
Stroke	(in.) 5 1/4
Compression ratio	5.4:1
Governed speed	(rpm) 2,300
Brake horsepower (max w/std accessories)	106 at (rpm) 2,300
Torque (max w/std accessories)	342 lb-ft at (rpm) 900

ADDITIONAL DATA

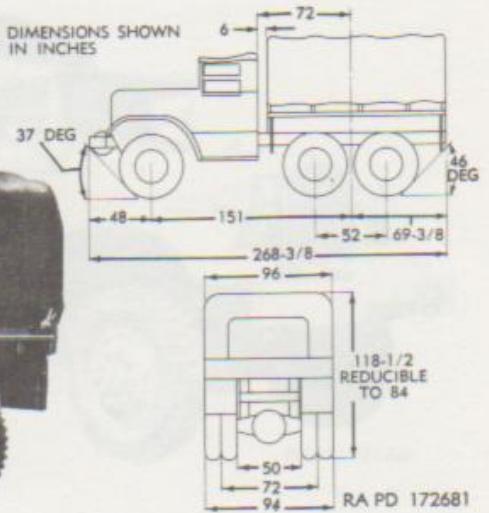
Over-all height with gun mount	(in.) 127 1/4
This model supplied w/both open and closed cabs.	
Live axles, type	double-reduction, full-floating
Transmission, type	constant-mesh

TRUCK, CARGO, 4-TON, 6 x 6, W/WINCH

(Diamond T, Models 968, SWB, 1941; 968A, SWB, 1942; and 968B, SWB)



NOTE: ALL DIMENSIONS SHOWN ARE IN INCHES



Technical Manuals: 9-811, 9-1811, 9-1825B, 9-1826C, 9-1827A, 9-1828A, 9-1832A; Supply Catalog: SNL G-509.

Vehicle illustrated: Model 968B, SWB.
Classification: Standard.

Purpose: To transport general cargo and tow 155-mm howitzer.

GENERAL DATA

Crew	2
Weight (lb)	Net 18,050
Payload w/crew	off highway 8,350; on highway 16,450
Gross	off highway 26,400; on highway 34,500
Live-axle gear ratio	8.435:1
Axle load (lb):	
Empty	front 6,620; rear (each) 5,290
Loaded:	
Off highway	front 6,870; rear (each) 9,340
On highway	front 6,870; rear (each) 13,815
Tires:	
Fly 10	Size 9.00 x 20; Pressure (psi) 65
Tread, center-to-center, front	(in.) 73 3/4
Shipping dimensions, uncrated	(cu ft) 1,246; (sq ft) 178
Vehicle dimensions (in.):	
Ground clearance	11
Pintle height, loaded	36 1/2
Loading height, empty	58 3/4
Body inside dimensions (in.):	
Length	132; Width 88; Height 59
Cargo space	(cu ft) 397
Electrical system (12-volt starting)	(volts) 6
No. of batteries	(6-volt) 2
Type of ground	positive
Fuel octane rating	72
Capacities:	
Fuel	(gal) 60
Cooling system	(qt) 48
Crankcase, refill	(qt) 16
Transmission	(qt) 10 1/2
Transfer	(qt) 1 1/2
Axles (qt)	front 7 3/4; rear (each) 3 3/4
Winch:	
Oil capacity	(qt) 1 3/4
Load capacity	(lb) 15,000
Brakes:	
Manufacturer	Bendix-Westinghouse; Type: air
Parking brake, type	transmission

GENERAL DATA—Continued

Transmission:	
Forward speeds	5
Gear ratio	High 0.788:1; Fourth 1:1; Low 7.08:1
Transfer:	
Speeds	2
Gear ratio	High 1:1; Low 1.72:1

PERFORMANCE

Computed grade ability in lowest gear, loaded	(percent) 65
Turning radius (ft)	Right 32 1/4; Left 34
Fording depth	(in.) 24
Fuel consumption, loaded	(mpg) 3
Cruising range, loaded	(mi) 180
Allowable speed, governed	(mph) 40
Maximum recommended towed load:	
Off highway, gross	(lb) 11,000
On highway, gross	(lb) 25,000

ENGINE

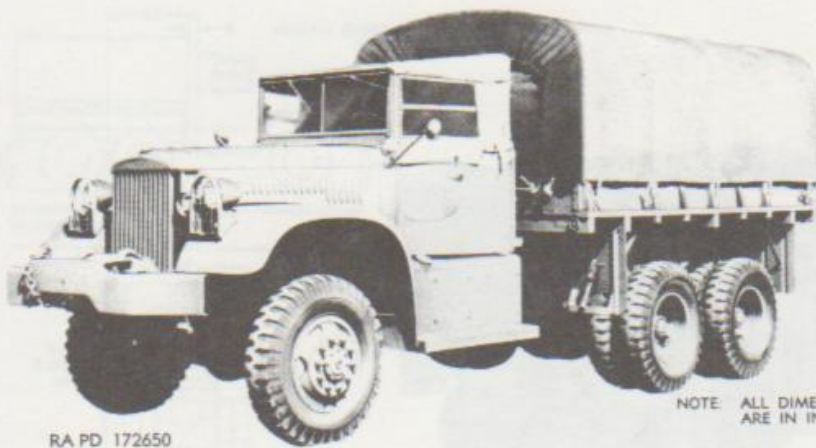
Manufacturer: Hercules	Model RXC
Type	L-head, 4-cycle; No. of cylinders (in line) 6
Displacement	(cu in.) 629
Bore	(in.) 4 5/8
Stroke	(in.) 5 1/4
Compression ratio	5.4:1
Governed speed	(rpm) 2,300
Brake horsepower (max w/std accessories)	106 at (rpm) 2,300
Torque (max w/std accessories)	342 lb-ft at (rpm) 900

ADDITIONAL DATA

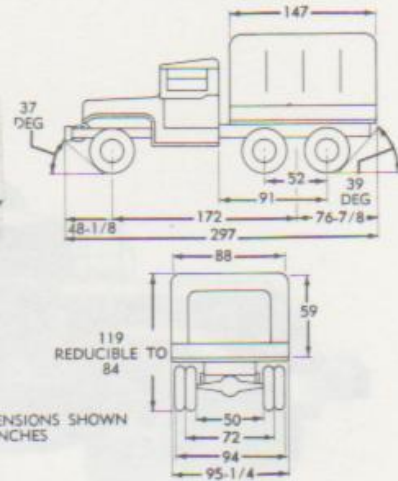
Over-all height with gun mount (in.)	127 1/4
Models 968 and 968B supplied with closed cab; model 968A with open and closed cabs.	
Live axles, type	double-reduction, full-floating
Transmission, type	constant-mesh

TRUCK, CARGO, 4-TON, 6 x 6, W/WINCH

(Diamond T, Model 970A, LWB, 1942)



RA PD 172650



NOTE: ALL DIMENSIONS SHOWN ARE IN INCHES

Technical Manuals: 9-811, 9-1811, 9-1825B, 9-1826C, 9-1827A, 9-1828A, 9-1832A; Supply Catalog: SNL G-509.

Classification: Standard.

Purpose: To transport general cargo and tow 155-mm howitzer.

GENERAL DATA

Crew	2
Weight (lb)	Net 18,400
Payload w/crew	off highway 8,350; on highway 16,050
Gross	off highway 26,800; on highway 34,500
Live-axle gear ratio	8.435:1
Axle load (lb):	
Empty	front 7,745; rear (each) 5,363
Loaded:	
Off highway	front 7,850; rear (each) 9,475
On highway	front 7,965; rear (each) 13,268
Tires:	
Ply 10	Size 9.00 x 20; Pressure (psi) 65
Tread, center-to-center, front	(in.) 73 3/4
Shipping dimensions, uncrated	(cu ft) 1,970; (sq ft) 199
Vehicle dimensions (in.):	
Ground clearance	11
Pintle height, loaded	36 1/4
Loading height, empty	58 3/4
Body inside dimensions (in.):	
Length	147; Width 88; Height 59
Cargo space	(cu ft) 44
Electrical system (12-volt starting)	(volts) 6
No. of batteries	(6-volt) 2
Type of ground	positive
Fuel octane rating	72
Capacities:	
Fuel	(gal) 60
Cooling system	(qt) 48
Crankcase, refill	(qt) 16
Transmission	(qt) 12
Transfer	(qt) 1 1/4
Axles (qt)	front 7 1/4; rear (each) 3 1/4
Winch:	
Oil capacity	(qt) 1 1/4
Load capacity	(lb) 15,000
Brakes:	
Manufacturer	Bendix-Westinghouse; Type; air
Parking brake, type	transmission

GENERAL DATA—Continued

Transmission:	
Forward speeds	5
Gear ratio	High 0.768:1; Fourth 1:1; Low 7.08:1
Transfer:	
Speeds	2
Gear ratio	High 1:1; Low 1.72:1

PERFORMANCE

Computed grade ability in lowest gear, loaded	(percent) 65
Turning radius (ft)	right 37 1/4; left 39
Fording depth	(in.) 24
Fuel consumption, loaded	(mpg) 3
Cruising range, loaded	(mi) 180
Allowable speed, governed	(mph) 40
Maximum recommended towed load:	
Off highway, gross	(lb) 11,000
On highway, gross	(lb) 25,000

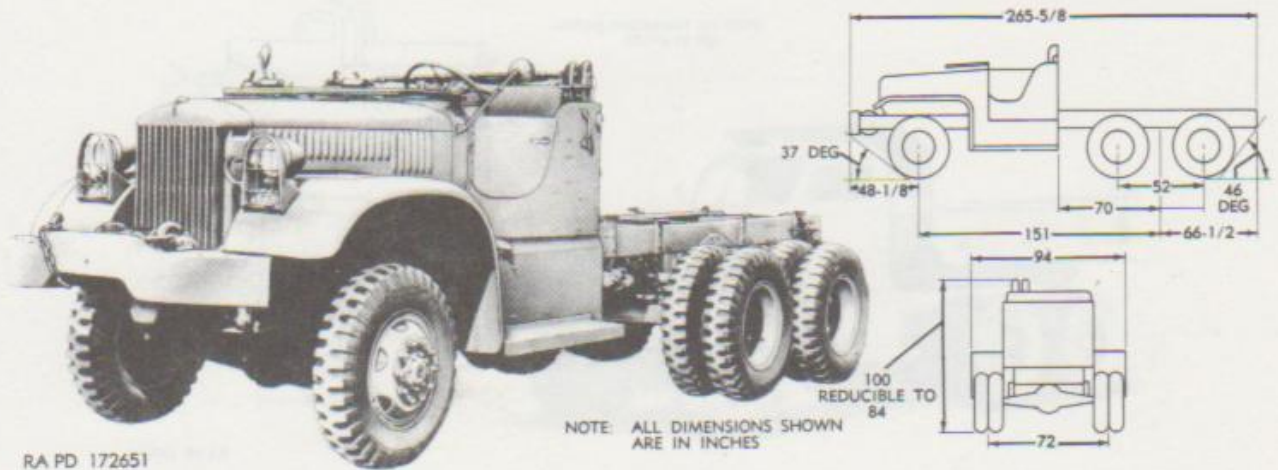
ENGINE

Manufacturer: Hercules	Model RXC
Type	L-head, 4-cycle; No. of cylinders (in line) 6
Displacement	(cu in.) 529
Bore	(in.) 4 1/4
Stroke	(in.) 5 1/4
Compression ratio	5.4:1
Governed speed	(rpm) 2,300
Brake horsepower (max w/std accessories)	106 at (rpm) 2,300
Torque (max w/std accessories)	342 lb-ft at (rpm) 900

ADDITIONAL DATA

Supplied w/open and closed cabs	
Live axles, type	double-reduction, full-floating
Transmission, type	constant-mesh

TRUCK, CHASSIS, 4-TON, 6 x 6, W/ AND W/O WINCH (Diamond T, Model 968A, SWB, 1942)



RA PD 172651

NOTE: ALL DIMENSIONS SHOWN ARE IN INCHES

Technical Manuals: 9-811, 9-1811, 9-1825B, 9-1826C, 9-1827A, 9-1828A, 9-1832A; Supply Catalog: SNL G-509.

Classification: Nonclassified.

Purpose: To be used as component of general-purpose or special-equipment truck.

GENERAL DATA

Crew	2
Weight (lb)	Net 14,800; Max gross 34,500
Live-axle gear ratio	8.435:1
Axle load, empty (lb)	front 7,600; rear (each) 3,600
Tires:	
Ply 10	Size 9.00 x 20; Pressure (psi) 65
Tread, center-to-center, front	(in.) 73 3/4
Shipping dimensions, uncrated	(cu ft) 1,440; (sq ft) 173
Vehicle dimensions:	
Ground clearance	(in.) 11
Pintle height, loaded	(in.) 36 1/4
Electrical system (12-volt starting) (volts) 6	
No. of batteries	(6-volt) 2
Type of ground	positive
Fuel octane rating	72
Capacities:	
Fuel	(gal) 60
Cooling system	(qt) 48
Crankcase, refill	(qt) 16
Transmission	(qt) 12
Transfer	(qt) 1 1/2
Axles (qt)	front 7 1/2; rear (each) 3 1/4
Winch:	
Oil capacity	(qt) 1 1/4
Load capacity	(lb) 15,000
Brakes:	
Manufacturer	Bendix-Westinghouse; Type; air
Parking brake, type	transmission
Transmission:	
Forward speeds	5
Gear ratio	High 0.768:1; Fourth 1:1; Low 7.08:1
Transfer:	
Speeds	2
Gear ratio	High 1:1; Low 1.72:1

PERFORMANCE

Computed grade ability in lowest gear, loaded	(percent) 68
Turning radius (ft)	Right 32 1/4; Left 34
Fording depth	(in.) 24
Fuel consumption, loaded	(mpg) 3
Cruising range, loaded	(mi) 180
Allowable speed, governed	(mph) 40
Maximum recommended towed load:	
Off highway, gross	(lb) 11,000
On highway, gross	(lb) 25,000

ENGINE

Manufacturer: Hercules	Model RXC
Type	L-head, 4-cycle; No. of cylinders (in line) 6
Displacement	(cu in.) 529
Bore	(in.) 4 3/4
Stroke	(in.) 5 1/4
Compression ratio	5.4:1
Governed speed	(rpm) 2,300
Brake horsepower (max w/std accessories)	106 at (rpm) 2,300
Torque (max w/std accessories)	342 lb-ft at (rpm) 900

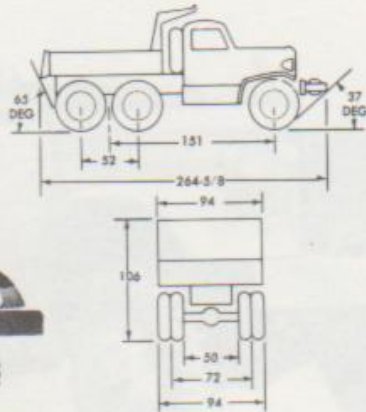
ADDITIONAL DATA

Over-all height with gun mount (empty)	(in.) 127 1/4
Weights and dimensions given for chassis w/winch; for chassis w/o winch they are as follows:	
Weight, net	(lb) 13,950
Axle loads (lb)	front 5,620; rear (each) 3,665
Over-all length	(in.) 250 1/4
Shipping dimensions, uncrated	(cu ft) 1,390; (sq ft) 166
Supplied w/open and closed cabs.	
Live Axles, type	double-reduction, full-floating
Transmission, type	constant-mesh

TRUCK, DUMP, 4-TON, 6 x 6

(Diamond T, Model 972, SWB)

NOTE: ALL DIMENSIONS SHOWN ARE IN INCHES



RA PD 137844

Technical Manuals: 9-811, 9-1811, 9-1825B, 9-1826C, 9-1827A, 9-1828A, 9-1832A; Supply Catalog: SNL G-509.

Classification: Standard.

GENERAL DATA

Crew.....	2
Weight (lb):	
Net.....	w/o winch 17,200; w/winch 18,050
Payload:	
W/crew:	
W/o winch.....	off highway 9,200; on highway 17,300
W/winch.....	off highway 8,350; on highway 16,450
Gross:	
W/o winch.....	off highway 26,400; on highway 34,500
W/winch.....	off highway 26,400; on highway 34,500
Live-axle gear ratio.....	8.435:1
Axle load (lb):	
Empty:	
W/o winch.....	front 6,620; rear (each) 5,290
W/winch.....	front 7,600; rear (each) 5,225
Loaded:	
W/o winch:	
Off highway.....	front 6,660; rear (each) 9,870
On highway.....	front 7,140; rear (each) 13,680
W/winch:	
Off highway.....	front 7,850; rear (each) 9,275
On highway.....	front 8,100; rear (each) 13,200
Tires:	
Ply 10.....	Size 9.00 x 20; Pressure (psi) 65
Tread, center-to-center, front.....	(in.) 73 3/4
Shipping dimensions:	
Uncrated:	
W/winch.....	(cu ft) 1,520; (sq ft) 173
W/o winch.....	(cu ft) 1,465; (sq ft) 166
Vehicle dimensions:	
Ground clearance.....	(in.) 11
Loading height, empty.....	(in.) 58 1/2
Pintle height, loaded.....	(in.) 36 3/4
Body inside dimensions (in.):	
Length.....	120; Width 80; Height 17
Struck capacity.....	(cu yd) 3 1/4
Electrical system (12-volt starting).....	(volts) 6
No. of batteries.....	(6-volt) 2
Type of ground.....	positive
Fuel octane rating.....	72
Brakes:	
Manufacturer.....	Bendix-Westinghouse; Type: air
Parking brake, type.....	transfer

Purpose: To haul and dump earth, sand, gravel, etc.

GENERAL DATA—Continued

Capacities:	
Fuel.....	(gal) 60
Cooling system.....	(qt) 48
Crankcase, refill.....	(qt) 16
Transfer, w/PTO.....	(qt) 1 1/4
Transmission.....	w/o PTO (qt) 10 1/4; w/PTO (qt) 12
Axles (qt).....	front 7 1/4; rear (each) 3 3/4
Winch.....	Oil capacity (qt) 2; load capacity (lb) 15,000
Transmission:	
Forward speeds.....	5
Gear ratio.....	High 0.768:1; Fourth 1:1; Low 7.08:1
Transfer:	
Speeds.....	2
Gear ratio.....	High 1:1; Low 1.72:1

PERFORMANCE

Computed grade ability in lowest gear, loaded.....	(percent) 68
Turning radius (ft).....	Right 32 1/4; Left 34
Fording depth.....	(in.) 24
Fuel consumption, loaded.....	(mpg) 3
Cruising range, loaded.....	(mi) 180
Allowable speed, governed.....	(mph) 40
Maximum recommended towed load:	
Off highway, gross.....	(lb) 11,000
On highway, gross.....	(lb) 25,000

ENGINE

Manufacturer: Hercules.....	Model RXC
Type.....	L-head, 4-cycle; No. of cylinders (in line) 6
Displacement.....	(cu in.) 529
Bore.....	(in.) 4 1/4
Stroke.....	(in.) 5 1/4
Compression ratio.....	5.4:1
Governed speed.....	(rpm) 2,300
Brake horsepower (max w/std accessories).....	106 at (rpm) 2,300
Torque (max w/std accessories).....	342 lb-ft at (rpm) 900

ADDITIONAL DATA

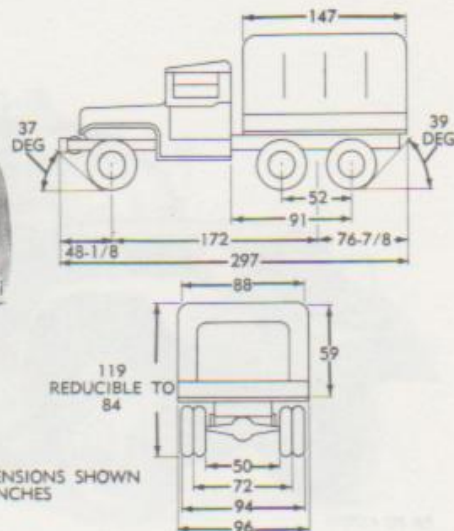
Over-all length w/o winch (in.).....	254 1/4
Live Axles, type.....	double-reduction, full-floating
Transmission, type.....	constant-mesh

TRUCK, PONTON, 4-TON, 6 x 6, W/WINCH

(Diamond T, Models 970, LWB, 1941 and 970A, LWB, 1942-43)



RA PD 172652



NOTE: ALL DIMENSIONS SHOWN ARE IN INCHES

Technical Manuals: 9-811, 9-1811, 9-1825B, 9-1826C, 9-1827A, 9-1828A, 9-1832A; Supply Catalog: SNL G-509.

Vehicle Illustrated: Model 970.
Classification: Standard.

GENERAL DATA

Crew	2
Weight (lb) Net	18,450
Payload w/crew	off highway 8,350; on highway 16,050
Gross	off highway 26,800; on highway 34,500
Live-axle gear ratio	8.435:1
Axle load (lb):	
Empty	front 7,745; rear (each) 5,353
Loaded:	
Off highway	front 7,850; rear (each) 9,475
On highway	front 7,965; rear (each) 13,268
Tires:	
Ply 10	Size 9.00 x 20; Pressure (psi) 65
Tread, center-to-center	(in.) 73 3/4
Shipping dimensions, uncrated	(cu ft) 1,970; (sq ft) 199
Vehicle dimensions (in.):	
Ground clearance	11
Pintle height, loaded	36 1/4
Loading height, empty	58 1/2
Body inside dimensions (in.):	
Length	147; Width 88; Height 59
Cargo space	(cu ft) 441
Electrical system (12-volt starting)	(volts) 6
No. of batteries	(6-volt) 2
Type of ground	positive
Fuel octane rating	72
Capacities:	
Fuel	(gal) 60
Cooling system	(qt) 48
Crankcase, refill	(qt) 16
Transmission	(qt) 12
Transfer	(qt) 1 1/2
Axles (qt)	front 7 1/2; rear (each) 3 1/4
Winch:	
Oil capacity	(qt) 1 1/4
Load capacity	(lb) 15,000
Brakes:	
Manufacturer	Bendix-Westinghouse; Type: air
Parking brake, type	transmission

Purpose: Used by Corps of Engineers to transport pontoons or cargo.

GENERAL DATA—Continued

Transmission:	
Forward speeds	5
Gear ratio	High 0.768:1; Fourth 1:1; Low 7.08:1
Transfer:	
Speeds	2
Gear ratio	High 1:1; Low 1.72:1

PERFORMANCE

Computed grade ability in lowest gear, loaded	(percent) 67
Turning radius (ft)	Right 37 1/2; Left 39
Fording depth	(in.) 24
Fuel consumption, loaded	(mpg) 3
Cruising range, loaded	(mi) 180
Allowable speed, governed	(mph) 40
Maximum recommended towed load:	
Off highway, gross	(lb) 11,000
On highway, gross	(lb) 25,000

ENGINE

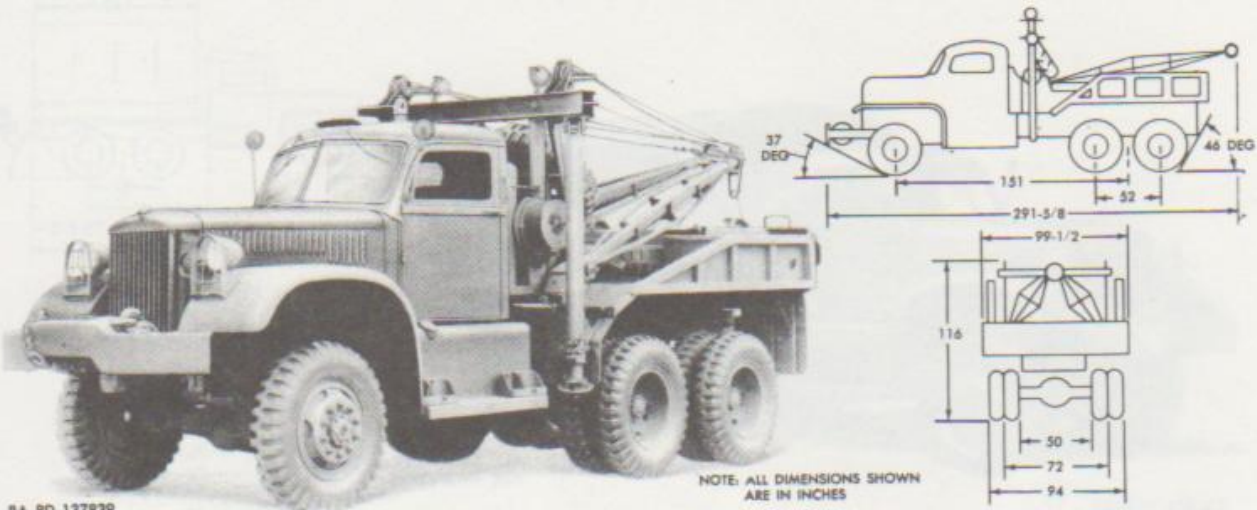
Manufacturer: Hercules	Model RXC
Type	L-head, 4-cycle; No. of cylinders (in line) 6
Displacement	(cu in.) 529
Bore	(in.) 4 1/4
Stroke	(in.) 5 1/4
Compression ratio	5.4:1
Governed speed	(rpm) 2,300
Brake horsepower (max w/std accessories)	106 at (rpm) 2,300
Torque (max w/std accessories)	342 lb-ft at (rpm) 900

ADDITIONAL DATA

Model 970 supplied w/closed cab; Model 970A w/open and closed cabs.	
Live Axles, type	double-reduction, full-floating
Transmission, type	constant-mesh

TRUCK, WRECKER, 4-TON, 6 x 6, W/WINCH

(Diamond T, Models 969, SWB, 1941; 969A, SWB 1942; and 969B, SWB)



RA PD 137839

Technical Manuals: 9-811, 9-1811, 9-1825B, 9-1826C, 9-1827A, 9-1828A, 9-1832A; Supply Catalog: SNL G-509.

Vehicle illustrated: Model 969A or 969B, SWB.
Classification: Standard.

Purpose: To lift and tow disabled vehicles.

GENERAL DATA

Crew.....	2
Weight (lb).....	Net 21,360; w/crew (350 lb) 21,700
Live-axle gear ratio.....	8.435:1
Axle load w/equipment and crew (lb):	
Front.....	8,000; rear (each) 6,850
Tires.....	Ply 10; Size 9.00 x 20; Pressure (psi) 65
Tread, center-to-center, front.....	(in.) 73 3/4
Shipping dimensions, uncrated.....	(cu ft) 1,960; (sq ft) 202
Vehicle dimensions:	
Ground clearance.....	(in.) 11
Pintle height, loaded.....	(in.) 36 3/4
Electrical system (12-volt starting).....	(volts) 6
No. of batteries.....	(6-volt) 2
Type of ground.....	positive
Fuel octane rating.....	72
Capacities:	
Fuel.....	(gal) 60
Cooling system.....	(qt) 48
Crankcase, refill.....	(qt) 16
Transfer w/power take-off.....	(qt) 1 1/2
Transmission w/power take-off.....	(qt) 12
Axles (qt).....	front 7 1/2; rear (each) 3 3/4
Winch: Oil capacity.....	(qt) 2; Load capacity (lb) 15,000
Brakes:	
Manufacturer.....	Bendix-Westinghouse; Type; air
Parking brake, type.....	transfer
Transmission:	
Forward speeds.....	5
Gear ratio.....	High 0.768:1; Fourth 1:1; Low 7.08:1
Transfer:	
Speeds.....	2
Gear ratio.....	High 1:1; Low 1.72:1

PERFORMANCE

Computed grade ability in lowest gear, w/o towed load.....	(percent) 65
Turning radius (ft).....	Right 32 1/2; Left 34
Fording depth.....	(in.) 24
Fuel consumption, loaded.....	(mpg) 3
Cruising range, loaded.....	(mi) 180
Allowable speed, governed.....	(mph) 40
Maximum recommended towed load:	
Off highway, gross.....	(lb) 11,000
On highway, gross.....	(lb) 25,000

ENGINE

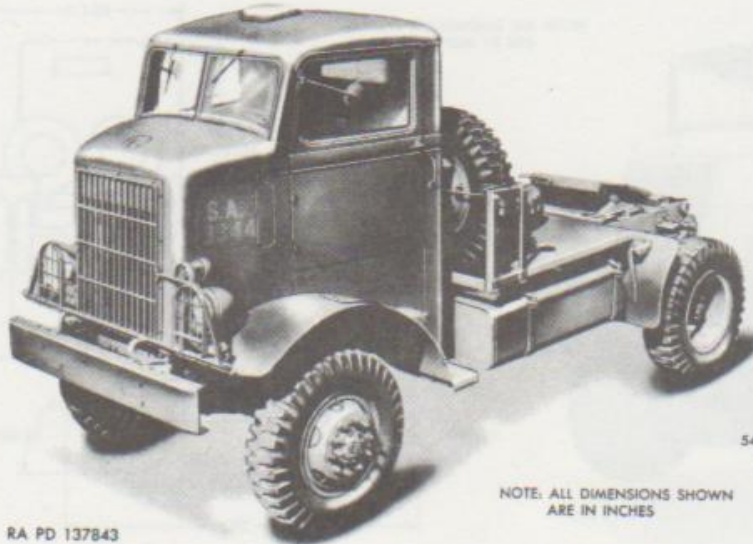
Manufacturer: Hercules.....	Model RXC
Type.....	L-head, 4-cycle; No. of cylinders (in line) 6
Displacement.....	(cu in.) 529
Bore.....	(in.) 4 1/2
Stroke.....	(in.) 5 1/4
Compression ratio.....	5.4:1
Governed speed.....	(rpm) 2,300
Brake horsepower (max w/std accessories).....	106 at (rpm) 2,300
Torque (max).....	342 lb-ft at (rpm) 900

ADDITIONAL DATA

Live-axles, type.....	double-reduction, full-floating
Transmission, type.....	constant-mesh
Crane lifting capacity:	
Per boom, while standing.....	(lb) 10,000
Max boom load when towed.....	(lb) 6,000
Model 969 supplied with closed cab; models 969A and 969B with open and closed cabs.	

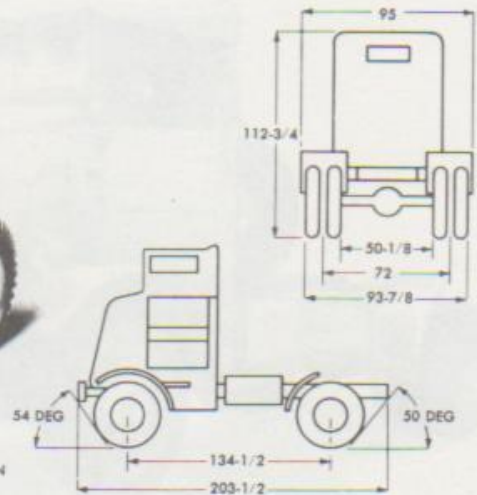
TRUCK, TRACTOR, 4- TO 5-TON, 4 x 4

(Autocar, Model U7144T, COE)



RA PD 137843

NOTE: ALL DIMENSIONS SHOWN ARE IN INCHES



Technical Manuals: 9-816, 9-1816, 9-1825B, 9-1826C, 9-1827A, 9-1828A, 9-1832A; Supply Catalog: SNL G-510.

Classification: Standard.

Purpose: To tow semitrailers.

GENERAL DATA

Crew	2
Weight (lb)	Net 12,360; Payload 8,650; Gross 21,010
Live-axle, gear ratio	8.43:1
Axle load (lb):	
Empty	front 7,020; rear 5,340
Loaded	front 7,120; rear 13,890
Tires:	
Ply 10; Size 9.00 x 20; Pressure	(psi) 65
Tread, center-to-center, front	(in.) 73 3/4
Shipping dimensions, uncrated	(cu ft) 1,260; (sq ft) 135
Vehicle dimensions:	
Ground clearance	(in.) 11 3/4
Pintle height, loaded	(in.) 32 1/2
Center of fifth wheel to rear of cab	(in.) 87
Center of fifth wheel to center of rear axle	(in.) 3
Height to center of fifth wheel	(in.) 48
Height to rear of fifth wheel	(in.) 42
Electrical system	(volts) 12
No. of batteries	(6-volt) 2
Type of ground	positive
Fuel octane rating	68
Capacities:	
Fuel	(gal) 60
Cooling system	(qt) 40
Crankcase	dryfill (qt) 14; refill (qt) 12
Transfer	(qt) 2
Transmission	summer (qt) 7; winter (qt) 10
Axles	front (qt) 8; rear (qt) 10
Brakes:	
Manufacturer: Bendix-Westinghouse	Type; air
Parking brake, type	transmission
Transmission:	
Forward speeds	5
Gear ratio	High 0.75:1; Fourth 1:1; Low 5.9:1
Transfer:	
Speeds	2
Gear ratio	High 1:1; Low 1.72:1

PERFORMANCE

Computed grade ability in lowest gear, w/semitrailer	(percent) 48
Turning radius	(ft) 30
Fording depth	(in.) 24 1/2
Fuel consumption (empty)	(mpg) 9
With maximum allowable towed load	(mpg) 3.3
Cruising range (empty)	(mi) 540
With maximum allowable towed load	(mi) 198
Allowable speed, governed	(mph) 41
Maximum recommended semitrailer, gross	(lb) 20,000

ENGINE

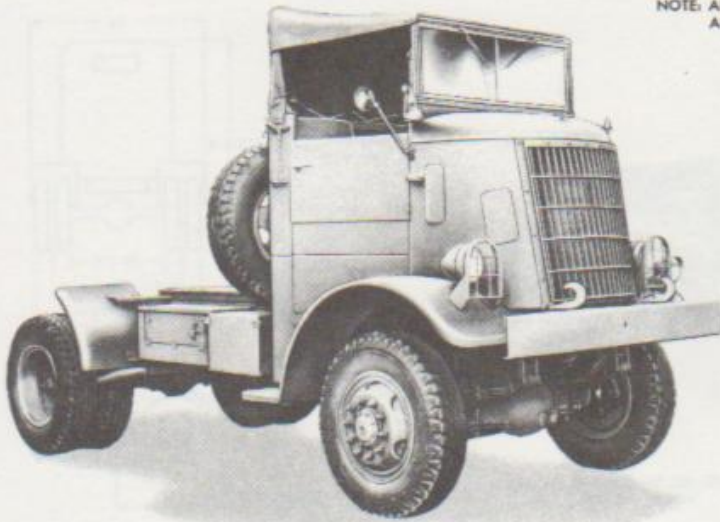
Manufacturer: Hercules	Model RXC
Type	L-head, 4-cycle; No. of cylinders (in line) 6
Displacement	(cu in.) 529
Bore	(in.) 4 1/4
Stroke	(in.) 5 1/4
Compression ratio	5.4:1
Governed speed	(rpm) 2,300
Brake horsepower (max w/std accessories)	112 at (rpm) 2,200
Torque (max)	368 lb-ft at (rpm) 1,000

ADDITIONAL DATA

Height with closed cab	108 1/2 in.
Live-axles, type	double-reduction, full-floating
Transmission, type	constant-mesh

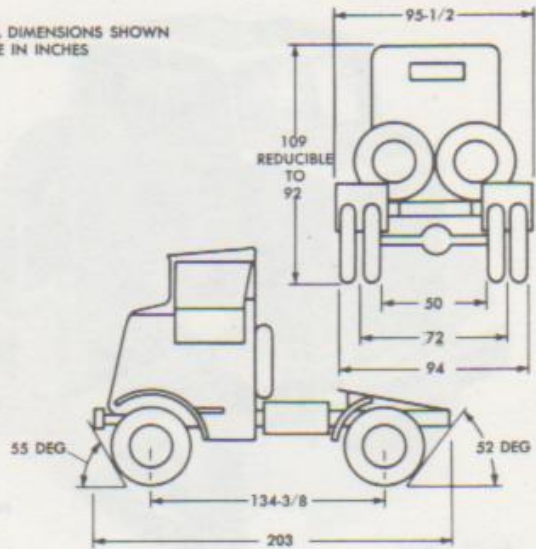
TRUCK, TRACTOR, 4- TO 5-TON, 4 x 4

(Federal, Model 94X43A, 94X43B, 94X43C)



RA PD 172630

NOTE: ALL DIMENSIONS SHOWN ARE IN INCHES



Technical Manuals: 9-820, 9-1816, 9-1825A, 9-1825B, 9-1826C, 9-1827A, 9-1828A, 9-1829A, 9-1832A; Supply Catalog: SNL G-513.

Vehicle Illustrated: Model 94X43C.
Classification: Standard.

Purpose: To tow semitrailers.

GENERAL DATA

Crew	2
Weight (lb)	Net 11,950; Payload 8,270; Gross 20,220
Live-axle gear ratio	8.43:1
Axle load (lb):	
Empty	front 6,650; rear 5,300
Loaded	front 8,650; rear 13,570
Tires:	
Ply 10	Size 9.00 x 20; Pressure (psi) 65
Tread, center-to-center, front	(in.) 73 3/4
Shipping dimensions, uncrated	(cu ft) 1,035; (sq ft) 135
Vehicle dimensions:	
Ground clearance	(in.) 11 1/4
Pintle height, empty	(in.) 38
Fifth wheel center to center of rear axle	(in.) 3
Height to center of fifth wheel	(in.) 48
Electrical system (12-volt starting)	(volts) 6
No. of batteries	(6-volt) 2
Fuel octane rating	72
Capacities:	
Fuel	(gal) 62
Cooling system	(qt) 40
Crankcase, refill	(qt) 14
Transmission	(qt) 10
Transfer	(qt) 2
Axles (each)	(qt) 6
Brakes:	
Manufacturer; Bendix-Westinghouse	Type; air
Parking brake, type	propeller-shaft
Transmission:	
Forward speeds	5
Gear ratio	High 0.768:1; Fourth 1:1; Low 7.08:1
Transfer:	
Speeds	2
Gear ratio	High 1:1; Low 1.72:1

PERFORMANCE

Computed grade ability w/loaded semitrailer	(percent) 50
Turning radius	(ft) 27
Fording depth	(in.) 26
Fuel consumption w/loaded semitrailer	(mpg) 4 1/2
Cruising range w/loaded semitrailer	(mi) 280
Allowable speed, governed	(mph) 40
Maximum semitrailer, gross	(lb) 30,000

ENGINE

Manufacturer: Hercules	Model RXC
Type	L-head, 4-cycle; No. of cylinders (in line) 6
Displacement	(cu in.) 529
Bore	(in.) 4 5/8
Stroke	(in.) 5 1/4
Compression ratio	5.4:1
Governed speed	(rpm) 2,300
Brake horsepower (max w/std accessories)	112 at (rpm) 2,200
Torque (max w/std accessories)	368 lb-ft at (rpm) 1,000

ADDITIONAL DATA

These models equipped with either hard or soft cab.
Live axles, type.....double-reduction, full-floating
Transmission, type.....selective sliding-gear

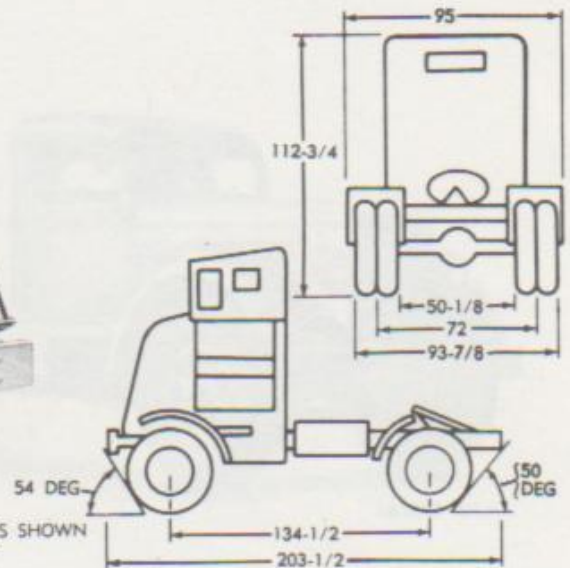
TRUCK, TRACTOR, 4- TO 5-TON, 4 x 4

(White, Model 444T, COE)



RA PD 172699

NOTE: ALL DIMENSIONS SHOWN ARE IN INCHES



Technical Manuals: 9-816, 9-1816, 9-1825B, 9-1826C, 9-1827A, 9-1828A, 9-1829A, 9-1832A; Supply Catalog: SNL G-691.

Classification: Standard.

Purpose: To tow semitrailers.

GENERAL DATA

Crew	2
Weight (lb)	Net 11,660; Payload 9,350; Gross 21,010
Live-axle gear ratio	8.43:1
Axle load (lb):	
Empty	front 7,020; rear 4,640
Loaded	front 7,120; rear 13,890
Tires:	
Ply 10	Size 9.00 x 20; Pressure (psi) 65
Tread, center-to-center, front	(in.) 73 1/4
Shipping dimensions, uncrated	(cu ft) 1,260; (sq ft) 135
Vehicle dimensions:	
Ground clearance	(in.) 11 1/4
Pintle height, empty	(in.) 38
Center of fifth wheel to center of rear axle	(in.) 3
Height to center of fifth wheel	(in.) 48 1/4
Electrical system	
No. of batteries	(6-volt) 2
Fuel octane rating	72
Capacities:	
Fuel	(gal) 60
Cooling system	(qt) 40
Crankcase, refill	(qt) 12
Transfer	(qt) 2
Transmission	(qt) 7
Axles (qt)	front 8; rear 10
Brakes:	
Manufacturer	Bendix-Westinghouse; Type; air
Parking brake, type	transfer
Transmission:	
Forward speeds	5
Gear ratio	High 0.75:1; Fourth 1:1; Low 5.9:1
Transfer:	
Speeds	2
Gear ratio	High 1:1; Low 1.72:1

PERFORMANCE

Computed grade ability in lowest gear w/semitrailer	(percent) 52
Turning radius	(ft) 30
Fording depth	(in.) 24 1/4
Fuel consumption: w/max allowable towed load	(mpg) 3
Cruising range: w/max allowable towed load	(mi) 198
Maximum allowable speed, governed	(mph) 41
Maximum semitrailer, gross	(lb) 30,000

ENGINE

Manufacturer: Hercules	Model RXC
Type	4-cycle, L-head; No. of cylinders (in line) 6
Displacement	(cu in.) 529
Bore	(in.) 4 1/4
Stroke	(in.) 5 1/4
Compression ratio	5.4 : 1
Governed speed	(rpm) 2,300
Brake horsepower (max w/std accessories)	112 at (rpm) 2,200
Torque (max w/std accessories)	368 lb-ft at (rpm) 1,000

ADDITIONAL DATA

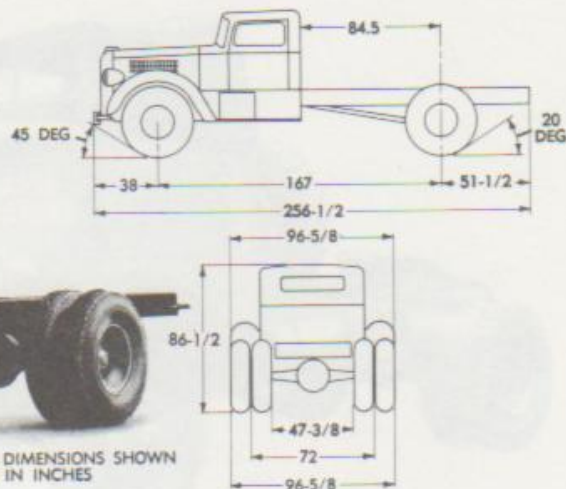
This model equipped with either hard or soft cab.	
Live axles, type	double reduction, full-floating
Transmission, type	constant-mesh

TRUCK, CHASSIS, 5-TON, 4 x 2

(Federal, Model 45M2, 167-in WB and 179-in WB)



RA PD 172764



NOTE: ALL DIMENSIONS SHOWN ARE IN INCHES

Vehicle illustrated: 167-in. WB.
Classification: Standard.

Purpose: To be used as component of general-purpose or special-equipment vehicle.

GENERAL DATA

Crew	2
Weight (lb):	
Net:	
167-in. WB	9,475
179-in. WB	9,785
Maximum gross	15,350
Rear-axle gear ratio (two-speed)	High 6.53:1; Low 8.53:1
Axle load (lb):	
Empty:	
167-in. WB	front 5,100; rear 4,375
179-in. WB	front 4,900; rear 4,885
Tires:	
Ply 12	Size 11.00 x 20; Pressure (psi) 70
Tread, center-to-center, front	(in.) 70 3/4
Shipping dimensions, uncrated:	
167-in. WB	(cu ft) 1,230; (sq ft) 171
179-in. WB	(cu ft) 1,380; (sq ft) 192
Ground clearance	(in.) 10
Electrical system	(volts) 6
No. of batteries	1
Type of ground	positive
Fuel octane rating	72
Capacities:	
Fuel	(gal) 60
Cooling system	(qt) 29
Crankcase, refill	(qt) 8
Transmission	(qt) 10
Rear axle	(qt) 15 1/4
Brakes:	
Manufacturer; Bendix-Westinghouse	Type; air
Parking brake, type	transmission
Transmission:	
Forward speeds	5
Gear ratio	High 1:1; Fourth 1.48:1; Low 7.88:1

PERFORMANCE

Computed grade ability in 1st gear, loaded	(percent) 65
Turning radius (ft):	
167-in. WB	30
179-in. WB	36
Fuel consumption, loaded	(mpg) 4 1/2
Cruising range, loaded	(mi) 270
Allowable speed, governed	(mph) 48

ENGINE

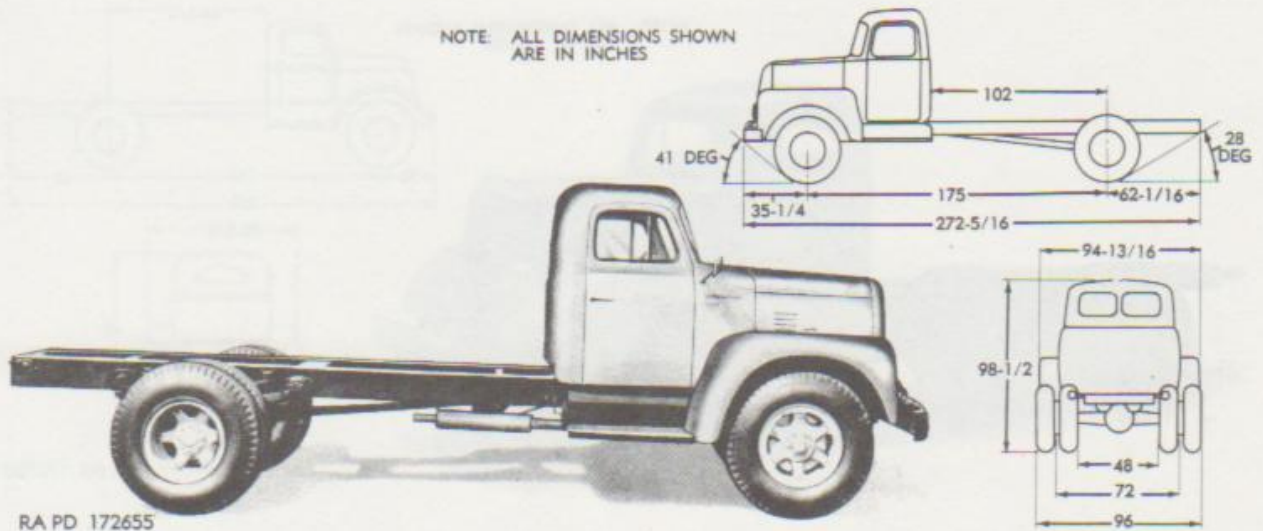
Manufacturer: Continental	Model T-6427F
Type	4-cycle, valve-in-head; No. of cylinders (in line) 6
Displacement	(cu in.) 427
Bore	(in.) 4 1/4
Stroke	(in.) 4 3/4
Compression ratio	6.4:1
Governed speed	(rpm) 2,600
Brake horsepower (max w/std accessories)	158 at (rpm) 2,600
Torque (max w/std accessories)	325 lb-ft at (rpm) 1,400

ADDITIONAL DATA

Rear axle, type	2-speed, full-floating
Transmission, type	synchronesh

TRUCK, CHASSIS, 5-TON, 4 x 2

(International Harvester, Model L-201, 175-in and 193-in WB)



Vehicle Illustrated: 175-in. WB.
Classification: Standard.

Purpose: To be used as component of general-purpose or special-equipment truck.

GENERAL DATA

Crew	1
Weight (lb)	Net 8,820; Max gross 27,000
Rear-axle gear ratio	High 6.53:1; Low 8.54:1
Axle load (lb):	
Empty	front 4,795; rear 4,070
Tires:	
Ply 12	Size 11.00 x 20; Pressure (psi) 70
Tread, center-to-center, front	(in.) 70 3/4
Shipping dimensions, uncrated	(cu ft) 1,457; (sq ft) 179
Ground clearance	(in.) 10 1/16
Electrical system	(volts) 6
No. of batteries	1
Type of ground	negative
Fuel octane rating	72
Capacities:	
Fuel	(gal) 31
Cooling system	(qt) 28
Crankcase, refill	(qt) 9
Transmission	(qt) 9 1/4
Rear axle	(qt) 8
Brakes:	
Manufacturer	Bendix-Westinghouse; Type: air
Parking brake, type	transmission
Transmission:	
Forward speeds	5
Gear ratio	High 1:1; Fourth 1.41:1; Low 8.03:1

PERFORMANCE

Computed grade ability in lowest gear, loaded	(percent) 40
Turning radius	(ft) 31
Fording depth	(in.) 29 1/2
Fuel consumption, loaded	(mpg) 3 1/2
Cruising range, loaded	(mi) 108
Allowable speed, governed	(mph) 50

ENGINE

Manufacturer	International Harvester; Model RD-406
Type	Valve-in-head, 4-cycle; No. of cylinders (in line) 6
Displacement	(cu in.) 405.9
Bore	(in.) 4 3/4
Stroke	(in.) 4 1/2
Compression ratio	6.3:1
Governed speed	(rpm) 2,750
Brake horsepower (max w/std accessories)	138 at (rpm) 2,750
Torque (max)	313 lb-ft at (rpm) 1,000

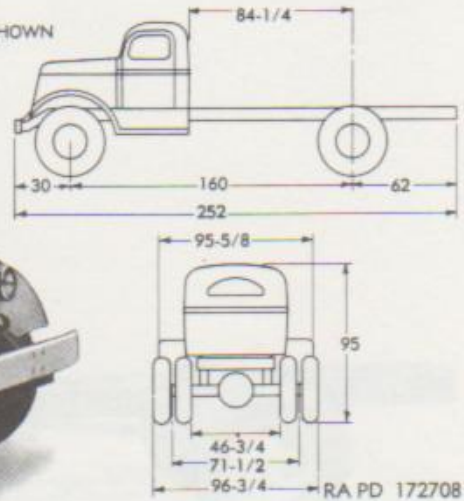
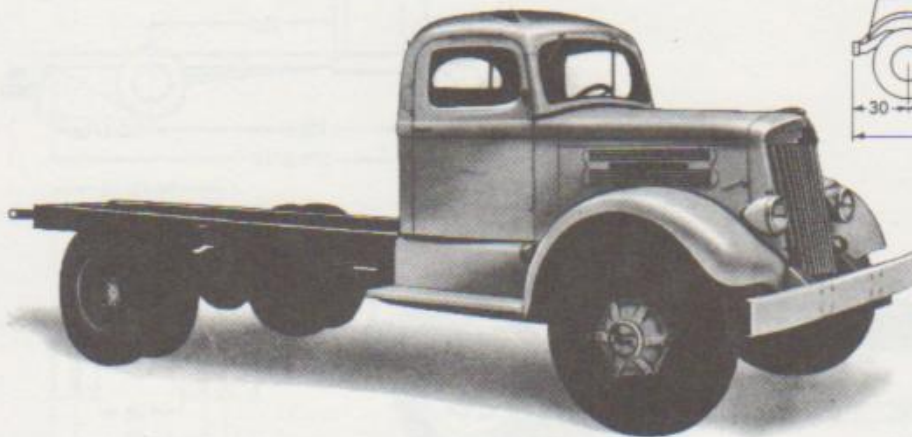
ADDITIONAL DATA

Rear axle, type	two-speed, spiral-bevel, full-floating
Transmission, type	synchromesh
Data given for chassis with 175-in. wheelbase. Changes in data for chassis with 193-in. wheelbase are as follows:	
Net weight (lb)	8,865
Axle load (lb)	Empty; front 4,885; rear 3,935
Shipping dimensions, uncrated	(cu ft) 1,586; (sq ft) 195
Turning radius (ft)	34
Overall length	(in.) 296 1/2
Distance from rear of cab to center of rear axle	(in.) 120
Rear overhang	(in.) 68 1/2
Angle of departure	(deg) 25

TRUCK, CHASSIS, W/CAB, 5-TON, 4 x 2

(White, Model WC22)

NOTE: ALL DIMENSIONS SHOWN ARE IN INCHES



Classification: Standard.

Purpose: To be used as component of general-purpose or special-equipment vehicle.

GENERAL DATA

Crew.....	2
Weight (lb): Net.....	15,360
Rear-axle gear ratio (two-speed).....	High 6.5 : 1; Low 8.87 : 1
Axle load (lb):	
Empty.....	front 4,840; rear 10,520
Tires:	
Ply 12.....	Size 11.00 x 20; Pressure (psi) 70
Tread, center-to-center, front.....	(in.) 70 3/4
Shipping dimensions, uncrated.....	(cu ft) 1,320; (sq ft) 167
Vehicle dimensions:	
Ground clearance.....	(in.) 17 3/4
Frame height.....	(in.) 47
Electrical system.....	(volts) 6
No. of batteries.....	1
Type of ground.....	positive
Fuel octane rating.....	72
Capacities:	
Fuel.....	(gal) 32
Cooling system.....	(qt) 30
Crankcase, refill.....	(qt) 12
Transmission.....	(qt) 8
Rear axle.....	(qt) 9
Brakes:	
Manufacturer; Bendix-Westinghouse.....	Type; air
Parking brake, type.....	transmission
Transmission:	
Forward speeds.....	5
Gear ratio.....	High 1 : 1; Fourth 1.48 : 1; Low 7.88 : 1

PERFORMANCE

Computed grade ability in lowest gear, loaded.....	(percent) 43
Turning radius.....	(ft) 20
Fording depth.....	(in.) 30
Fuel consumption, loaded.....	(mpg) 3
Cruising range, loaded.....	(mi) 95
Allowable speed, governed.....	(mph) 55

ENGINE

Manufacturer: White.....	Model 150A
Type.....	4-cycle, L-head; No. of cylinders (in line) 6
Displacement.....	(cu in.) 386
Bore.....	(in.) 4
Stroke.....	(in.) 5 1/4
Compression ratio.....	6.40 : 1
Governed speed.....	(rpm) 3,000
Brake horsepower (max w/std accessories).....	735 at (rpm) 3,000
Torque (max w/std accessories).....	315 lb-ft at (rpm) 1,300

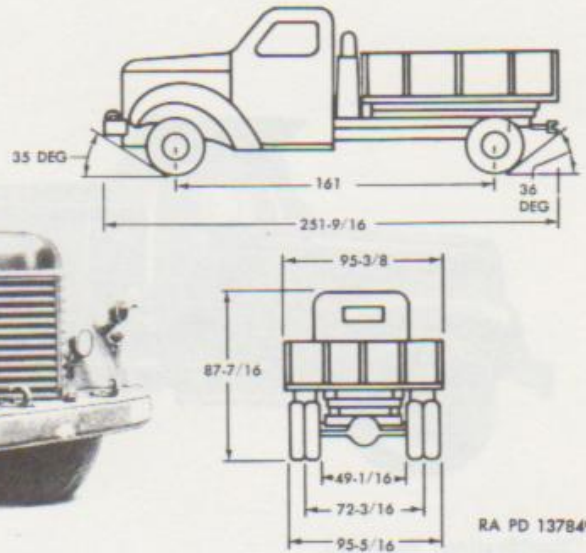
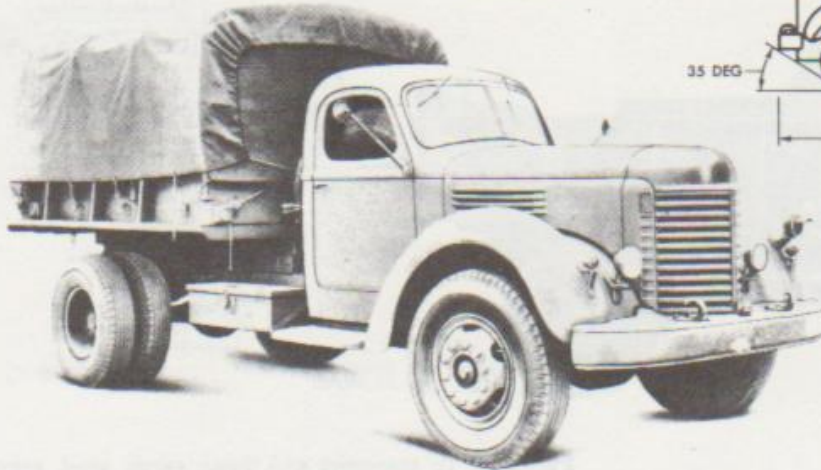
ADDITIONAL DATA

Rear axle, type.....	two-speed, spiral-bevel, full-floating
Transmission, type.....	synchromesh

TRUCK, DUMP, 5-TON, 4 x 2

(International Harvester, Model KR11)

NOTE: ALL DIMENSIONS SHOWN ARE IN INCHES



RA PD 137849

Technical Manuals: 9-823, 9-1823, 9-1825A, 9-1826C, 9-1827A, 9-1828A; Supply Catalog: SNL G-542.

Classification: Standard.

Purpose: To haul and dump earth, sand, gravel, etc., and to transport general cargo.

GENERAL DATA

Crew	2
Weight (lb)	Net 12,815
Payload	10,000
Gross	22,815
Rear-axle gear ratio	8.05:1
Axle load (lb):	
Empty	front 5,285; rear 7,530
Loaded	front 5,845; rear 16,970
Tires:	
Ply 12	Size 10.00 x 20; Pressure (psi) 70
Tread, center-to-center, front	(in.) 71 3/4
Shipping dimensions, uncrated	(cu ft) 1,215; (sq ft) 167
Vehicle dimensions:	
Ground clearance	(in.) 11 1/4
Pintle height, loaded	(in.) 32 3/4
Loading height, empty	(in.) 48 1/4
Body inside dimensions (in.):	
Length	114; Width 84; Height under bows 59, side panels 31
Cargo space	(cu ft) 172
Electrical systems	(volts) 12
No. of batteries (6-volt)	2
Type of ground	positive
Fuel octane rating	72
Capacities:	
Fuel	(gal) 31
Cooling system	(qt) 27
Crankcase, refill	(qt) 8
Transmission w/power take-off	(qt) 13
Rear axle	(qt) 8 1/2
Brakes:	
Manufacturer	Bendix-Westinghouse; Type; air
Parking brake, type	transmission
Transmission:	
Forward speeds	5
Gear ratio	High 1:1; Fourth 1.38:1; Low 8.08:1

PERFORMANCE

Computed grade ability in lowest gear, loaded	(percent) 50
Turning radius	(ft) 29
Fording depth	(in.) 32 3/4
Fuel consumption, loaded	(mpg) 5 1/4
Cruising range, loaded	(mi) 162
Allowable speed, governed	(mph) 36
Maximum recommended tow load	(lb) 15,000

ENGINE

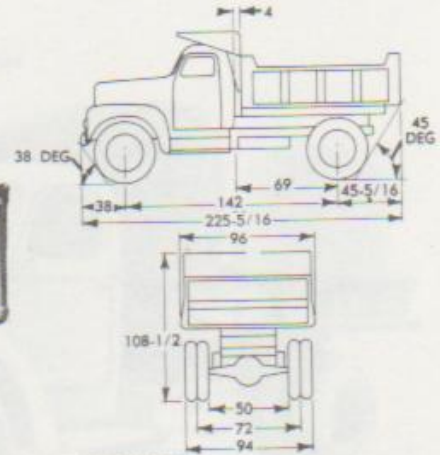
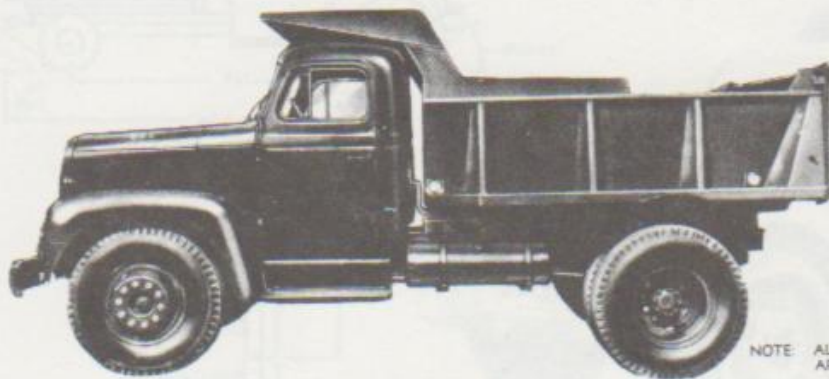
Manufacturer: I.H.C.	Model REO 480-D
Type	Valve-in-head, 4-cycle; No. of cylinders (in line) 6
Displacement	(cu in.) 480.99
Bore	(in.) 4 3/4
Stroke	(in.) 5
Compression ratio	6.3:1
Governed speed	(rpm) 2,600
Brake horsepower (max w/std accessories)	133 at (rpm) 2,600
Torque (max)	300 lb-ft at (rpm) 1,000

ADDITIONAL DATA

Overall height w/top	(in.) 109 1/4
Rear axle, type	double-reduction, full-floating
Transmission, type	constant-mesh

TRUCK, DUMP, 5-TON, 4 x 2

(International Harvester, Model L-201)



NOTE: ALL DIMENSIONS SHOWN ARE IN INCHES
RAPD 172720

Classification: Standard.

Purpose: To transport and dump earth, sand, gravel, coal, etc, and to carry general cargo.

GENERAL DATA

Crew	2
Weight (lb)	Net 12,435
Payload.....	off highway 10,000; on highway 11,500
Gross.....	off highway 22,435; on highway 23,935
Rear-axle gear ratio (2 speed)	High 6.5:1; Low 8.866:1
Axle load (lb):	
Empty.....	front 4,995; rear 7,440
Loaded:	
Off highway.....	front 5,845; rear 16,590
On highway.....	front 5,935; rear 18,000
Tires:	
Ply 12.....	Size 11.00 x 20; Pressure (psi) 70
Tread, center-to-center, front.....	(in.) 70 1/4
Shipping dimensions, uncrated	(cu ft) 1,360; (sq ft) 151
Vehicle dimensions:	
Ground clearance.....	(in.) 10 3/4
Body inside dimensions (in.):	
Length.....	108; Width 84; Height 25 3/4
Struck capacity.....	(cu yds) 5
Electrical system	(volts) 6
No. of batteries.....	1
Type of ground.....	positive
Fuel octane rating	72
Capacities:	
Fuel.....	(gal) 31
Cooling system.....	(qt) 28
Crankcase, refill.....	(qt) 9
Transmission.....	(qt) 6
Rear axle.....	(qt) 8
Brakes:	
Manufacturer.....	Bendix-Westinghouse; Type; air
Parking brake, type.....	transmission
Transmission:	
Forward speeds.....	5
Gear ratio.....	High 1:1; Fourth 1.45:1; Low 7.4:1

PERFORMANCE

Computed grade ability in lowest gear w/off-highway load	(percent) 45
Turning radius	(ft) 29
Fuel consumption, loaded	(mpg) 4 1/2
Cruising range, loaded	(mi) 140
Allowable speed, governed	(mph) 50

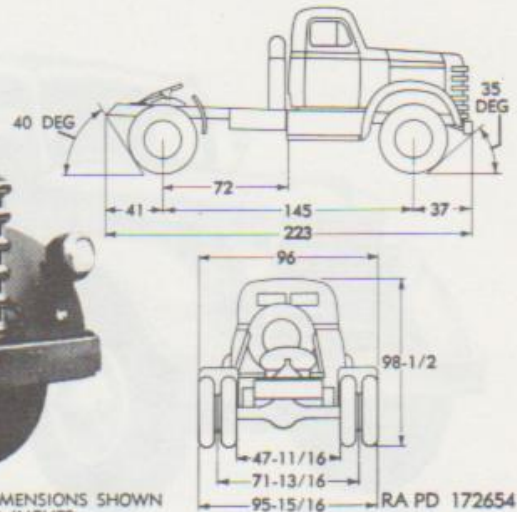
ENGINE

Manufacturer: International.....	Model RD-406
Type	4-cycle, valve-in-head; No. of cylinders (in line) 6
Displacement	(cu in.) 406
Bore	(in.) 4 3/4
Stroke	(in.) 4 3/4
Compression ratio	6.3:1
Governed speed	(rpm) 2,800
Brake horsepower (max w/std accessories)	138 at (rpm) 2,750
Torque (max w/std accessories)	314 lb-ft at (rpm) 1,000

ADDITIONAL DATA

Rear axle, type	two-speed, spiral-bevel, full-floating
Transmission, type	synchromesh

TRUCK, TRACTOR, 5-TON, 4 x 2 (Diamond T, Model 720)



NOTE: ALL DIMENSIONS SHOWN ARE IN INCHES

RA PD 172654

Purpose: To tow semitrailers.

GENERAL DATA

Crew.....	2
Weight (lb).....	Net 10,260
Payload.....	14,740
Gross.....	25,000
Rear-axle gear ratio (two speed).....	High 6.5:1; Low 8.86:1
Axle load (lb):	
Empty.....	front 5,320; rear 4,940
Loaded:	
On highway.....	front 6,000; rear 19,000
Tires:	
Ply 12.....	Size 11.00 x 20; Pressure (psi) 80
Tread, center-to-center, front.....	(in.) 71 ⁵ / ₁₆
Shipping dimensions, uncrated.....	(cu ft) 1,220; (sq ft) 149
Vehicle dimensions:	
Ground clearance.....	(in.) 10 ³ / ₄
Frame height.....	(in.) 38 ³ / ₄
Height to center of fifth wheel, empty.....	(in.) 47 ³ / ₄
Height to rear of fifth wheel, empty.....	(in.) 39 ³ / ₄
Fifth wheel mounted forward of rear axle.....	(in.) 6
Electrical system.....	(volts) 6
No. of batteries.....	1
Type of ground.....	positive
Fuel octane rating.....	72
Capacities:	
Fuel.....	(gal) 86
Cooling system (qt).....	w/o heater 36; w/heater 37
Crankcase, refill.....	(qt) 10
Transmission.....	(qt) 9
Rear axle.....	(qt) 10
Brakes:	
Manufacturer.....	Bendix; Type, air-hydraulic
Parking brake, type.....	transmission
Transmission:	
Forward speeds.....	5
Gear ratio.....	High 1:1; Fourth 1.48:1; Low 7.88:1

PERFORMANCE

Computed grade ability in lowest gear, loaded.....	(percent) 26
Turning radius (ft).....	Right 47; Left 50
Fording depth.....	(in.) 23
Fuel consumption, loaded.....	(mpg) 4 ¹ / ₄
Cruising range, loaded.....	(mi) 390
Allowable speed, governed.....	(mph) 50
Maximum semitrailer, gross ²	(lb) 39,750

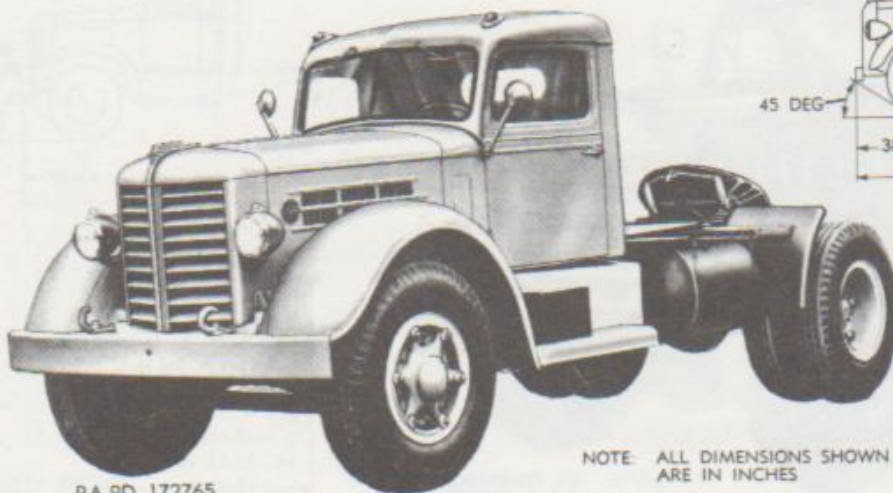
ENGINE

Manufacturer.....	Continental; Model T6427
Type.....	4-cycle, valve-in-head; No. of cylinders (in line) 6
Displacement.....	(cu in.) 427
Bore.....	(in.) 4 ⁹ / ₁₆
Stroke.....	(in.) 4 ⁷ / ₈
Compression ratio.....	6.44:1
Governed speed.....	(rpm) 2,700
Brake horsepower (max w/std accessories).....	148 at (rpm) 2,700
Torque (max w/std accessories).....	328 lb-ft at (rpm) 1,500

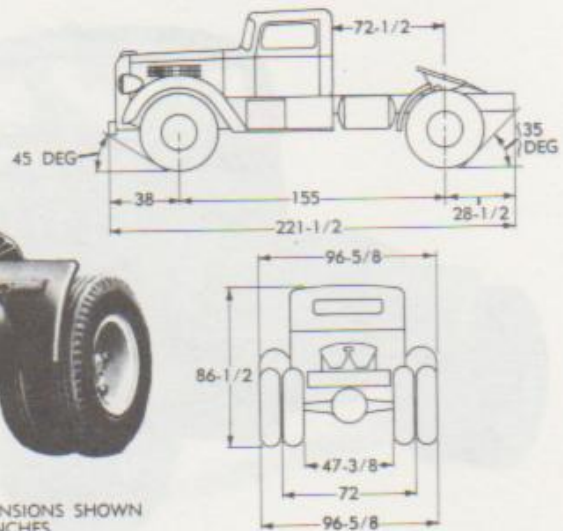
ADDITIONAL DATA

Rear axle, type.....	2-speed, full-floating
Transmission, type.....	synchromesh

TRUCK, TRACTOR, 5-TON, 4 x 2 (Federal, Model 45M2)



RA PD 172765



NOTE: ALL DIMENSIONS SHOWN ARE IN INCHES

Classification: Nonclassified.

Purpose: To tow semitrailers.

GENERAL DATA

Crew.....	2
Weight (lb).....	Net 9,800
Payload.....	14,700
Gross.....	24,500
Rear-axle gear ratio (two-speed).....	High 6.53:1; Low 8.53:1
Axle load (lb):	
Empty.....	front 5,040; rear 4,780
Loaded.....	front 6,000; rear 18,500
Tires:	
Ply 12.....	Size 11.00 x 20; Pressure (psi) 70
Tread, center-to-center, front.....	(in.) 70 3/4
Shipping dimensions, uncrated.....	(cu ft) 1,070; (sq ft) 149
Vehicle dimensions:	
Ground clearance.....	(in.) 10
Frame height.....	(in.) 45
Height to center of fifth wheel, empty.....	(in.) 52
Height to rear of fifth wheel, empty.....	(in.) 46
Fifth wheel mounted forward of rear axle.....	(in.) 4
Electrical system.....	(volts) 6
No. of batteries.....	1
Type of ground.....	positive
Fuel octane rating.....	72
Capacities:	
Fuel.....	(gal) 60
Cooling system.....	(qt) 29
Crankcase, refill.....	(qt) 8
Transmission.....	(qt) 10
Rear axle.....	(qt) 15 1/4
Brakes:	
Manufacturer.....	Bendix-Westinghouse; Type, air
Parking brake, type.....	transmission
Transmission:	
Forward speeds.....	5
Gear ratio.....	High 1:1; Fourth 1.48:1; Low 7.88:1

PERFORMANCE

Computed grade ability in lowest gear, loaded.....	(percent) 23
Turning radius.....	(ft) 28
Fuel consumption, loaded.....	(mpg) 4 1/4
Cruising range, loaded.....	(mi) 270
Allowable speed, governed.....	(mph) 48
Maximum semitrailer, gross.....	(lb) 28,000

ENGINE

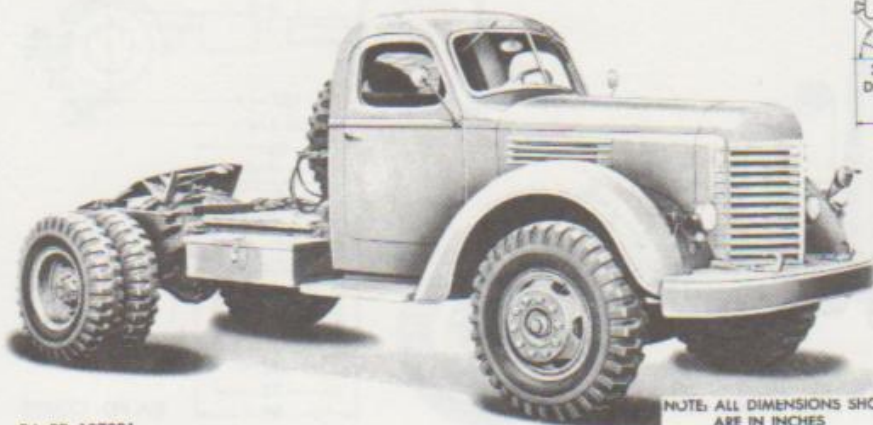
Manufacturer: Continental.....	Model T-6427F
Type.....	4-cycle, valve-in-head; No. of cylinders (in line) 6
Displacement.....	(cu in.) 427
Bore.....	(in.) 11 3/16
Stroke.....	(in.) 4 3/4
Compression ratio.....	6.4:1
Governed speed.....	(rpm) 2,600
Brake horsepower (max w/std accessories).....	158 at (rpm) 2,600
Torque (max w/std accessories).....	325 lb-ft at (rpm) 1,400

ADDITIONAL DATA

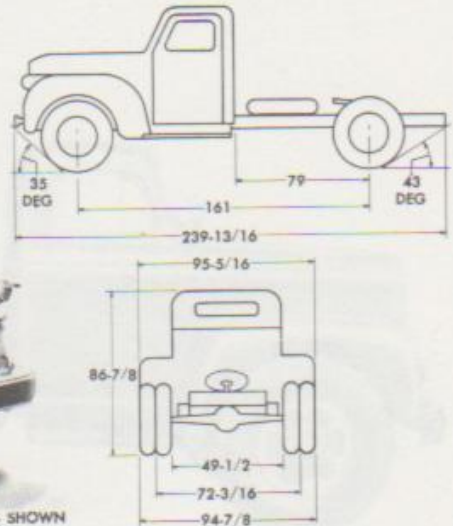
Rear axle, type.....	two-speed, full-floating
Transmission, type.....	synchromesh

TRUCK, TRACTOR, 5-TON, 4 x 2

(International Harvester, Model KR11, 1943)



RA PD 137821



NOTE: ALL DIMENSIONS SHOWN ARE IN INCHES

Technical Manuals: 9-823, 9-1823, 9-1825A, 9-1826C, 9-1827A, 9-1828A; Supply Catalog: SNL G-542.

Classification: Nonclassified.

Purpose: To tow semitrailers.

GENERAL DATA

Crew.....	2
Weight (lb).....	Net 9,801; Payload 13,000; Gross 22,801
Rear-axle gear ratio.....	8.05:1
Axle load (lb):	
Empty.....	front 4,798; rear 5,003
Loaded.....	front 5,301; rear 17,600
Tires:	
Ply 12.....	Size 10.00 x 20; Pressure (psi) 70
Tread, center-to-center, front.....	(in.) 72 3/4
Shipping dimensions, uncrated.....	(cu ft) 1,149; (sq ft) 159
Vehicle dimensions:	
Ground clearance.....	(in.) 10 3/4
Pintle height, empty.....	(in.) 34 3/4
Center of fifth wheel to center of rear axle.....	(in.) 5
Height to center of fifth wheel, empty.....	(in.) 48 3/4
Height to rear of fifth wheel.....	(in.) 42
Electrical system.....	(volts) 6
N of batteries.....	2
Type of ground.....	positive
Fuel octane rating.....	70
Capacities:	
Fuel.....	(gal) 40
Cooling system.....	(qt) 26 1/4
Crankcase, refill.....	(qt) 8
Transmission.....	(qt) 13
Rear axle.....	(qt) 8 1/4
Brakes:	
Manufacturer.....	Bendix-Westinghouse; Type; air
Parking brake, type.....	transmission
Transmission:	
Forward speeds.....	5
Gear ratio.....	High 0.776:1; Fourth 1:1; Low 7.07:1

PERFORMANCE

Computed grade ability in lowest gear, loaded.....	(percent) 25
Turning radius.....	(ft) 29
Fording depth.....	(in.) 32 1/4
Fuel consumption:	
W/max towed load.....	(mpg) 3.5
W/o towed load.....	(mpg) 4.5
Cruising range:	
W/max towed load.....	(mi) 140
W/o towed load.....	(mi) 180
Allowable speed, governed.....	(mph) 50
Maximum semitrailer, gross.....	(lb) 30,000

ENGINE

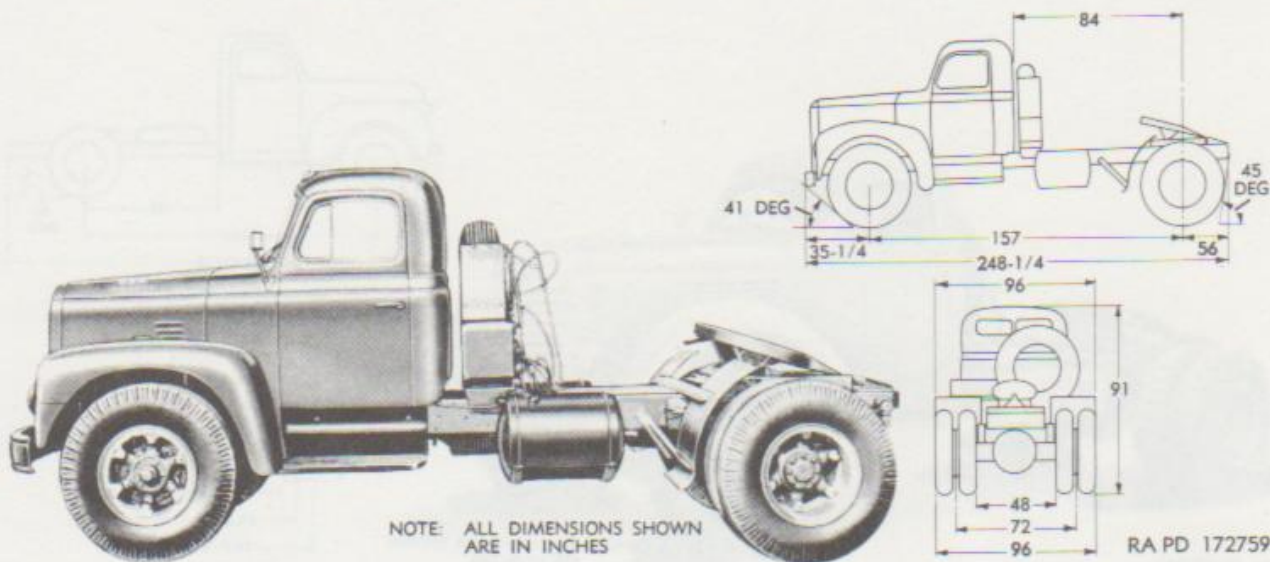
Manufacturer.....	International Harvester; Model RED-450
Type.....	4-cycle, valve-in-head; No. of cylinders (in line) 6
Displacement.....	(cu in.) 450.99
Bore.....	(in.) 4 3/4
Stroke.....	(in.) 5
Compression ratio.....	6.3:1
Governed speed.....	(rpm) 2,700
Brake horsepower (max w/std accessories).....	130 at (rpm) 2,600
Torque (max).....	354 lb-ft at (rpm) 900

ADDITIONAL DATA

Rear Axle, type.....	double-reduction, full-floating
Transmission, type.....	constant-mesh

TRUCK, TRACTOR, 5-TON, 4 x 2

(International Harvester Model L-201)



Classification: Nonclassified.

Purpose: To tow semitrailers.

GENERAL DATA

Crew	2
Weight (lb)	Net 10,220; Payload 13,500; Gross 23,720
Rear-axle gear ratio (2-speed)	High 6.5:1; Low 8.866:1
Axle load (lb):	
Empty	front 5,180; rear 5,040
Loaded	front 5,720; rear 18,000
Tires:	
Ply 12	Size 11.00 x 20; Pressure (psi) 70
Tread, center-to-center, front	(in.) 70 1/4
Shipping dimensions, uncrated	(cu ft) 1,250; (sq ft) 165
Vehicle dimensions:	
Ground clearance	(in.) 10 1/4
Frame height	(in.) 38 3/4
Height to center of fifth wheel, empty	(in.) 52
Height to rear of fifth wheel, empty	(in.) 45
Fifth wheel mounted forward of rear axle	(in.) 6
Electrical system	(volts) 6
No. of batteries	1
Type of ground	positive
Fuel octane rating	72
Capacities:	
Fuel	(gal) 68
Cooling system	(qt) 28
Crankcase, refill	(qt) 9
Transmission	(qt) 9 1/4
Rear axle	(qt) 11
Brakes:	
Manufacturer: Bendix-Westinghouse	Type, air
Parking brake, type	transmission
Transmission:	
Forward speeds	5
Gear ratio	High 1:1; Fourth 1.41:1; Low 8.03:1

PERFORMANCE

Computed grade ability in lowest gear, loaded	(percent) 28
Turning radius	(ft) 28 1/4
Fording depth	(in.) 29 1/4
Fuel consumption, loaded	(mpg) 3.4
Cruising range, loaded	(mi) 232
Allowable speed, governed	(mph) 50
Maximum semitrailer, gross	(lb) 25,000

ENGINE

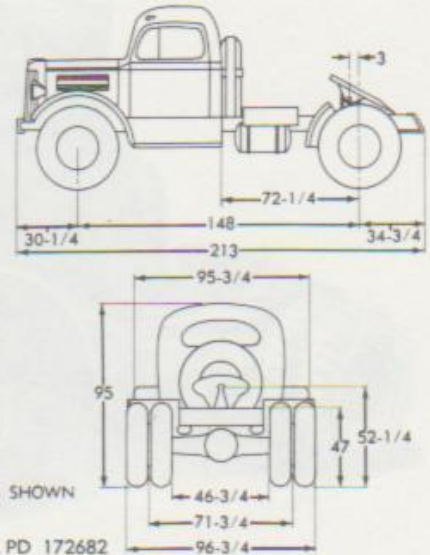
Manufacturer	IHC; Model RD-406
Type	4-cycle, valve-in-head; No. of cylinders (in line) 6
Displacement	(cu in.) 406
Bore	(in.) 4 3/4
Stroke	(in.) 4 1/4
Compression ratio	6.3:1
Governed speed	(rpm) 2,750
Brake horsepower (max w/std accessories)	138 at (rpm) 2,750
Torque (max w/std accessories)	314 lb-ft at (rpm) 1,000

ADDITIONAL DATA

Rear axle, type	two-speed, full-floating
Transmission, type	constant-mesh

TRUCK, TRACTOR, 5-TON, 4 x 2

(White, Model WC 22 PLT)



NOTE: ALL DIMENSIONS SHOWN ARE IN INCHES

RA PD 172682

Classification: Nonclassified.

Purpose: To tow semitrailers.

GENERAL DATA

Crew.....	2
Weight (lb).....	Net 9,840; Payload 14,530; Gross 24,370
Rear-axle gear ratio (two-speed).....	High 6.5:1; Low 8.87:1
Axle load (lb):	
Empty.....	front 4,570; rear 5,370
Loaded.....	on highway 6,370; rear 18,000
Tires:	
Ply 12.....	Size 11.00 x 20; Pressure (psi) 70
Tread, center-to-center, front.....	(in.) 70 1/4
Shipping dimensions, uncrated.....	(cu ft) 1,120; (sq ft) 142
Vehicle dimensions:	
Ground clearance.....	(in.) 17 1/4
Frame height.....	(in.) 47
Electrical system	(volts) 6
No. of batteries.....	1
Type of ground.....	positive
Fuel octane rating	72
Capacities:	
Fuel.....	(gal) 68
Cooling system.....	(qt) 30
Crankcase, refill.....	(qt) 12
Transmission.....	(qt) 8
Rear axle.....	(qt) 11 1/2
Brakes:	
Manufacturer.....	Bendix-Westinghouse; Type; air
Parking brake, type.....	transmission
Transmission:	
Forward speeds.....	5
Gear ratio.....	High 1:1; Fourth 1.48:1; Low 7.88:1

PERFORMANCE

Computed grade ability in lowest gear, loaded.....	(percent) 43
Turning radius.....	(ft) 28
Fording depth.....	(in.) 30
Fuel consumption, loaded.....	(mpg) 3
Cruising range, loaded.....	(mi) 200
Allowable speed, governed.....	(mph) 55
Maximum semitrailer, gross.....	(lb) 30,000

ENGINE

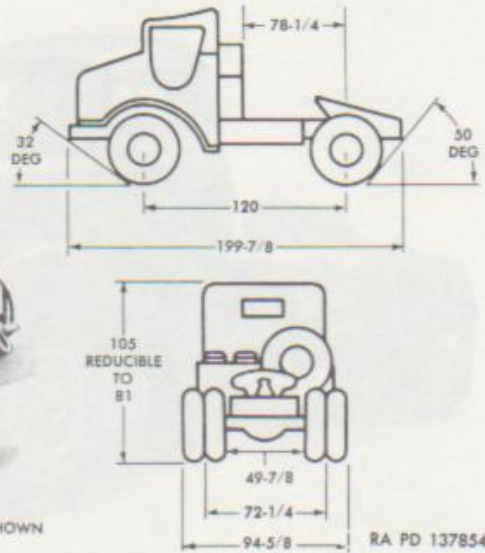
Manufacturer: White.....	Model 150A
Type.....	4-cycle, L-head; No. of cylinders (in line) 6
Displacement.....	(cu in.) 386
Bore.....	(in.) 4
Stroke.....	(in.) 5 1/4
Compression ratio.....	6.45:1
Governed speed.....	(rpm) 3,000
Brake horsepower (max w/std accessories).....	135 at (rpm) 3,000
Torque (max w/std accessories).....	315 lb-ft at (rpm) 1,300

ADDITIONAL DATA

Rear-axle, type.....	two-speed, spiral-bevel, full-floating
Transmission, type.....	selective sliding-gear

TRUCK, TRACTOR, 5-TON, 4 x 2, M425

(International Harvester, Model H542-9, COE)



NOTE: ALL DIMENSIONS SHOWN ARE IN INCHES

RA PD 137854

Technical Manuals: 9-812, 9-1812, 9-1825A, 9-1826C, 9-1827A, 9-1828A; Supply Catalog: SNL G-671.

Classification: Limited Standard.

Purpose: To tow semitrailers.

GENERAL DATA

Crew	2
Weight (lb)	Net 11,400; Payload 13,000; Gross 24,400
Rear-axle gear ratio	8.14:1
Axle load (lb):	
Empty	front 6,617; rear 4,783
Loaded	front 7,717; rear 16,683
Tires:	
Ply 10	Size 9.00 x 20; Pressure (psi) 65
Tread, center-to-center, front	(in.) 69 3/4
Shipping dimensions, uncrated	(cu ft) 1,122; (sq ft) 132
Vehicle dimensions:	
Ground clearance	(in.) 9
Pintle height (in.)	Loaded 30 3/4; Empty 33 3/4
Center of fifth wheel to center of rear axle	(in.) 3
Height to center of fifth wheel, empty	(in.) 53 1/2
Height to rear of fifth wheel	(in.) 47 1/2
Electrical system	(volts) 6
No. of batteries	1
Type of ground	negative
Fuel octane rating	72
Capacities:	
Fuel	(gal) 80
Cooling system	(qt) 36
Crankcase, refill	(qt) 15
Transmission	(qt) 12 3/4
Rear axle	(qt) 10
Brakes:	
Manufacturer; Bendix-Westinghouse	Type; air
Parking brake, type	transmission
Transmission:	
Forward speeds	5
Gear ratio	High 1:1; Fourth 1.5:1; Low 8.08:1

PERFORMANCE

Computed grade ability in lowest gear, loaded	(percent) 41
Turning radius	(ft) 23 1/2
Fording depth	(in.) 32 3/4
Fuel consumption, empty	(mpg) 4
W/max towed load	(mpg) 3 1/2
Cruising range, empty	(mi) 320
W/max towed load	(mi) 280
Allowable speed, governed	(mph) 35
Maximum semitrailer, gross	(lb) 30,000

ENGINE

Manufacturer	IHC; Model REO 450-D
Type	Valve-in-head, 4-cycle; No. of cylinders (in line) 6
Displacement	(cu in.) 450.99
Bore	(in.) 4 3/4
Stroke	(in.) 5
Compression ratio	6.3:1
Governed speed	(rpm) 2,600
Brake horsepower (max w/std accessories)	124.5 at (rpm) 2,600
Torque (max)	348 lb-ft at (rpm) 800

ADDITIONAL DATA

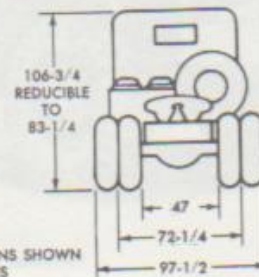
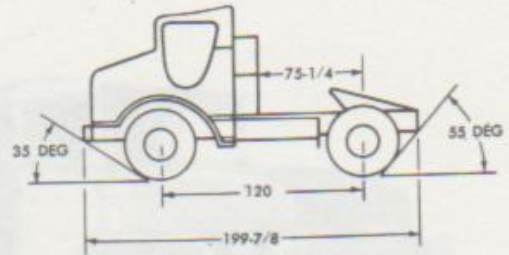
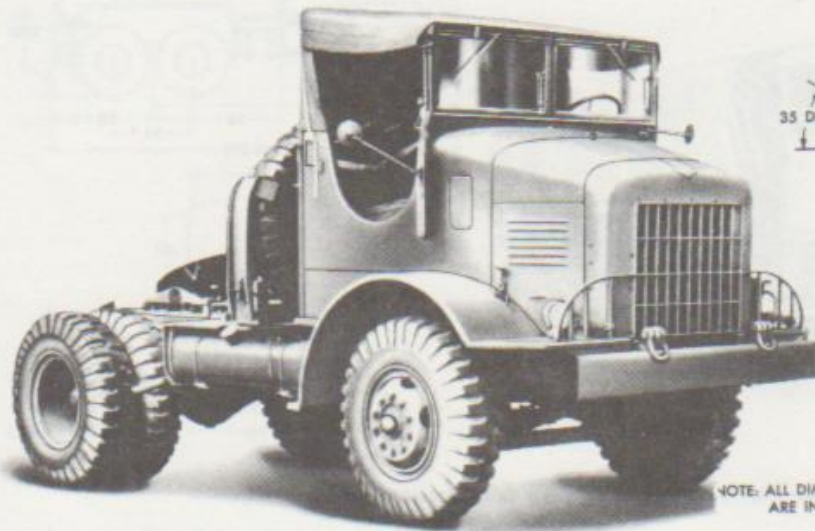
All vehicles equipped with truck mount M36 for antiaircraft machine gun.

Rear axle, type.....double-reduction, full-floating

Transmission, type.....constant-mesh

TRUCK, TRACTOR, 5-TON, 4 x 2, M426

(International Harvester, Marmon Herrington, Kenworth, Model H542-11, COE)



NOTE: ALL DIMENSIONS SHOWN ARE IN INCHES

RA PD 137852

Technical Manuals: 9-812, 9-1812, 9-1825A, 9-1826C, 9-1827A, 9-1828A; Supply Catalog: SNL G-671.

Vehicle illustrated: International Harvester.
Classification: Standard.

Purpose: To tow semitrailers.

GENERAL DATA

Crew	2
Weight (lb)	Payload 13,000; Gross 25,100; Net 12,100
Payload	off highway 13,000; on highway 15,400
Gross	off highway 25,100; on highway 27,500
Rear-axle gear ratio	8.14:1
Axle load (lb)	front 6,800; rear 5,300
Loaded:	
Off highway	front 7,900; rear 17,200
On highway	front 8,100; rear 19,400
Tires:	
Ply 14	Size 11.00 x 20; Pressure (psi) 70
Tread, center-to-center, front	(in.) 69 3/4
Shipping dimensions, uncrated	(cu ft) 1,182; (sq ft) 136
Vehicle dimensions:	
Ground clearance	(in.) 10 3/4
Pintle height (in.)	Loaded 34; Empty 37
Center of fifth wheel to center of rear axle	(in.) 6
Height to center of fifth wheel, empty	(in.) 53 1/4
Height to rear of fifth wheel, empty	(in.) 47 1/4
Electrical system	(volts) 6
No. of batteries	1
Type of ground	negative
Fuel octane rating	72
Capacities:	
Fuel	(gal) 80
Cooling system	(qt) 36
Crankcase refill	(qt) 15
Transmission	(qt) 12 1/4
Rear axle	(qt) 10
Brakes:	
Manufacturer	Bendix-Westinghouse; Type: air
Parking brake, type	transmission
Transmission:	
Forward speeds	5
Gear ratio	High 1:1; Fourth 1.5:1; Low 8.08:1

PERFORMANCE

Computed grade ability in lowest gear, loaded	(percent) 25
Turning radius (ft)	Right 25 1/4; Left 25 1/4
Fording depth	(in.) 35 1/4
Fuel consumption:	
Empty	(mpg) 4
W/towed load	(mpg) 3
Cruising range:	
Empty	(mi) 320
W/towed load	(mi) 240
Allowable speed, governed	(mph) 38
Maximum semitrailer, gross	(lb) 30,000

ENGINE

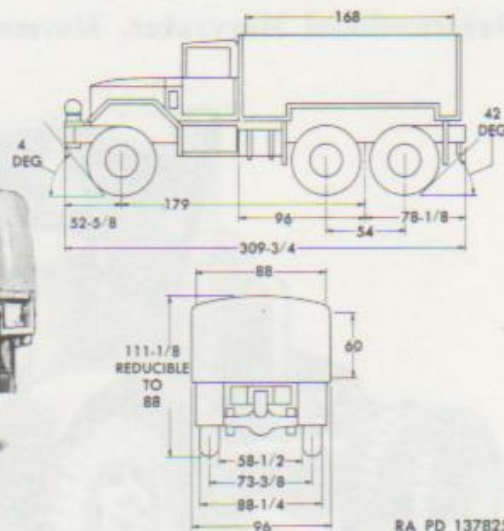
Manufacturer	International Harvester; Model Red-450-D
Type	Valve-in-head, 4-cycle; No. of cylinders (in line) 6
Displacement	(cu in.) 450.99
Bore	(in.) 4 3/4
Stroke	(in.) 5
Compression ratio	6.3:1
Governed speed	(rpm) 2,600
Brake horsepower (max w/std accessories)	124.5 at (rpm) 2,600
Torque (max)	348 lb-ft at (rpm) 800

ADDITIONAL DATA

All vehicles equipped with truck mount M36 for antiaircraft machine gun.
Rear axle, type.....double-reduction, full-floating
Transmission, type.....constant-mesh

TRUCK, CARGO, 5-TON, 6 x 6, M41

NOTE: ALL DIMENSIONS SHOWN ARE IN INCHES



RA PD 137825

Technical Manuals: 9-837, 9-1837A, 9-1837B; Supply Catalog: SNL G-744.

Classification: Standard.

Purpose: To transport general cargo and tow 155-mm howitzer.

GENERAL DATA

Crew	2
Weight (lb):	
Net	w/o winch 19,119; w/winch 19,835
Payload w/crew	off highway 10,350; on highway 15,350
Gross:	
W/o winch	off highway 29,469; on highway 34,469
W/winch	off highway 30,185; on highway 35,185
Live-axle gear ratio	6.443:1
Axle load (lb):	
Empty:	
W/o winch	front 8,331; rear (each) 5,394
W/winch	front 9,185; rear (each) 5,325
Loaded:	
W/o winch:	
Off highway	front 8,811; rear (each) 10,329
On highway	front 8,941; rear (each) 12,764
W/winch	
Off highway	front 9,663; rear (each) 10,261
On highway	front 9,793; rear (each) 12,696
Tires:	
Ply 12	Size 14 x 20; Pressure (psi) 45
Tread, center-to-center, front	(in.) 76 3/4
Shipping dimensions:	
Uncrated:	
W/winch	(cu ft) 1,912; (sq ft) 206
W/o winch	(cu ft) 1,817; (sq ft) 196
Vehicle dimensions:	
Ground clearance	(in.) 13
Pintle height, empty	(in.) 32 3/4
Loading height, empty	(in.) 48 1/4
Electrical system	(volts) 24
No. of batteries	(12-volt) 2
Type of ground	negative
Brakes:	
Manufacturer	Timken; Type, air-actuated hydraulic
Parking brake, type	transfer
Transmission:	
Forward speeds	5
Gear ratio	High 1:1; Fourth 1.43:1; Low 7.31:1
Transfer:	
Speeds	2
Gear ratio	High 1:1; Low 2.024:1

GENERAL DATA—Continued

Fuel octane rating	80
Capacities:	
Fuel	(gal) 70
Cooling system	(qt) 44
Crankcase, refill	(qt) 18
Transmission	w/o PTO (qt) 13; w/PTO (qt) 14
Transfer	(qt) 5
Axles (each)	(qt) 12
Winch:	
Oil capacity	(qt) 1
Load capacity	(lb) 20,000

PERFORMANCE

Computed grade ability in lowest gear, loaded	(percent) 65
Turning radius	(ft) 41
Fording depth	(in.) 78
Fuel consumption, loaded	(mpg) 4
Cruising range, loaded	(mi) 280
Allowable speed, governed	(mph) 59
Maximum recommended towed load:	
Off highway, gross (lb)	15,000
On highway, gross (lb)	30,000

ENGINE

Manufacturer	Continental; Model R-660 ²
Type	Valve-in-head, 4-cycle, No. of cylinders (in line) 6
Displacement	(cu in.) 602
Bore	(in.) 4 3/4
Stroke	(in.) 5 3/4
Compression ratio	5.4:1
Governed speed	(rpm) 2,800
Brake horsepower (max w/std accessories)	196 at (rpm) 2,800
Torque (max w/std accessories)	480 lb-ft at (rpm) 1,200

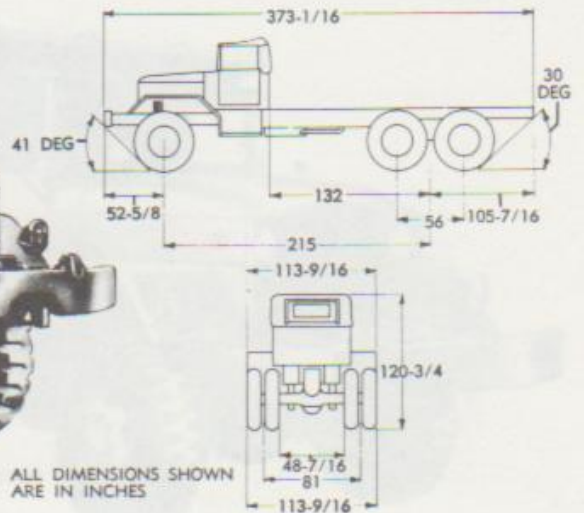
ADDITIONAL DATA

Dimensions w/o winch: over-all length (in.) 294 3/4; chassis overhang, front (in.) 37 3/4; angle of approach (deg) 57.
 Live-axles, type double-reduction, full-floating
 Transmission, type synchromesh
 Equipped with hydraulic power steering gear.

TRUCK, CHASSIS, 5-TON, 6 x 6, M139



RA PD 172756



NOTE: ALL DIMENSIONS SHOWN ARE IN INCHES

Technical Manual: 9-837.

Purpose: To be used as component of general-purpose or special-equipment vehicle.

GENERAL DATA

Crew.....	2
Weight (lb).....	Net 19,500
Maximum gross.....	(lb) 42,000
Axle gear ratio.....	6.443:1
Axle load (lb):	
Empty.....	front 9,070; rear (each) 10,520
Tires:	
Ply.....	Size 14.00 x 20; Pressure (psi) 45
Tread, center-to-center, front.....	(in.) 76 5/8
Shipping dimensions, uncrated.....	(cu ft) 2,900; (sq ft) 293
Vehicle dimensions:	
Ground clearance.....	(in.) 13
Pintle height, empty.....	(in.) 33
Frame height.....	(in.) 45 3/4
Electrical system.....	(volts) 24
No. of batteries.....	2
Type of ground.....	negative
Fuel octane rating.....	.80
Capacities:	
Fuel.....	(gal) 70
Cooling system.....	(qt) 44
Crankcase, refill.....	(qt) 22
Transmission w/PTO.....	(qt) 11
Transfer.....	(qt) 5
Axles, each.....	(qt) 12
Winch:	
Oil capacity.....	(qt) 1 1/4
Load capacity.....	(lb) 20,000
Brakes:	
Service:	
Manufacturer.....	Timken-Bendix-Westinghouse
Type.....	air-hydraulic
Parking brake, type.....	transfer
Transmission:	
Forward speeds.....	5
Gear ratio.....	High 1:1; Fourth 1.43:1; Low 7.31:1
Transfer:	
Speeds.....	2
Gear ratio.....	High 1:1; Low 2.024:1

PERFORMANCE

Computed grade ability in lowest gear w/off-highway load.....	(percent) 43
Turning radius.....	(ft) 47
Fording depth.....	(in.) 78
Fuel consumption, loaded.....	(mpg) 3.2
Cruising range, loaded.....	(mi) 224
Allowable speed, governed.....	(mph) 59
Maximum pintle tow:	
Off highway.....	gross (lb) 15,000
On highway.....	gross (lb) 30,000

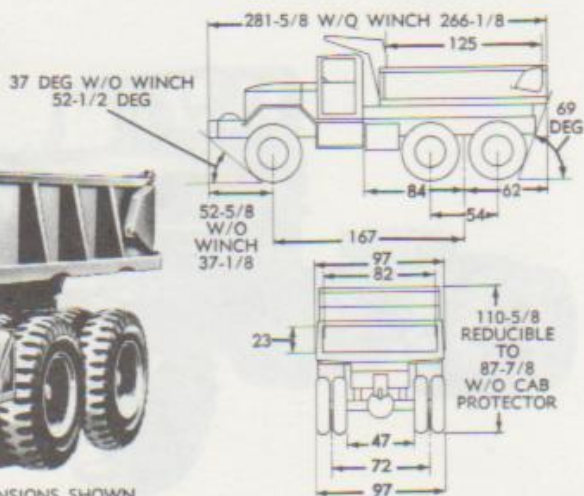
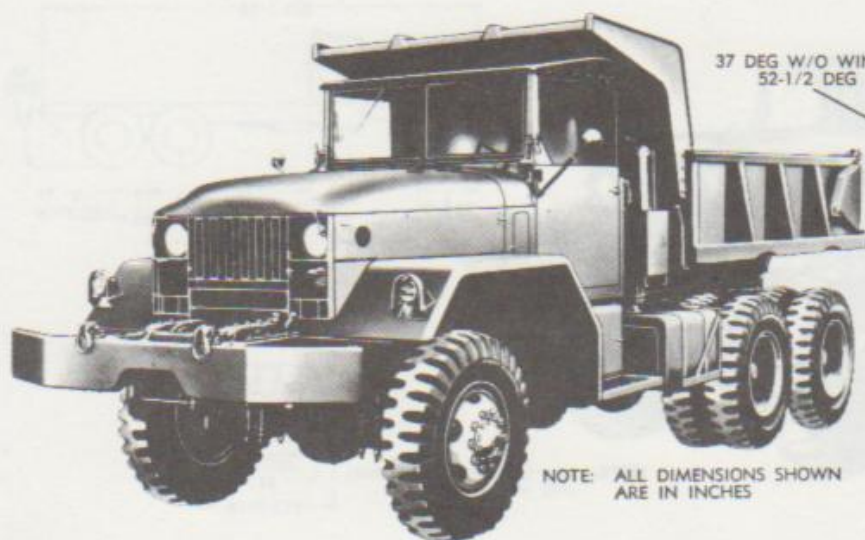
ENGINE

Manufacturer: Continental.....	Model R6602
Type.....	4-cycle, valve-in-head; No. of cylinders (in line) 6
Displacement.....	(cu in.) 602
Bore.....	(in.) 4 3/4
Stroke.....	(in.) 5 3/4
Compression ratio.....	6.4:1
Governed speed.....	(rpm) 2,800
Brake horsepower (max w/std accessories).....	196 at (rpm) 2,800
Torque (max w/std accessories).....	480 lb-ft at (rpm) 1,200

ADDITIONAL DATA

Axles, type.....	double-reduction, full-floating
Transmission, type.....	synchromesh
Equipped with hydraulic power steering gear.	

TRUCK, DUMP, 5-TON, 6 x 6, M51



NOTE: ALL DIMENSIONS SHOWN ARE IN INCHES

RA PD 172669

Technical Manuals: 9-837, 9-1837A, 9-1837B; Supply Catalog: SNL G-744.

Classification: Standard.

GENERAL DATA

Crew	2
Weight (lb): Net	w/o winch 21,981; w/winch 22,664
Payload, w/crew	off highway 10,350; on highway 20,350
Gross:	
W/o winch	off highway 32,331; on highway 42,331
W/winch	off highway 33,014; on highway 43,014
Live-axis gear ratio	6.443:1
Axle load (lb):	
Empty:	
W/o winch	front 8,459; rear (each) 6,761
W/winch	front 9,304; rear (each) 6,680
Loaded:	
W/o winch:	
Off highway	front 8,867; rear (each) 11,732
On highway	front 9,067; rear (each) 16,632
W/winch:	
Off highway	front 9,712; rear (each) 11,651
On highway	front 9,912; rear (each) 16,551
Tires:	
Ply 12	Size 11.00 x 20; Pressure (psi) 50
Tread, center-to-center, front	(in.) 73 3/4
Shipping dimensions:	
Uncrated:	
W/winch	(cu ft) 1,753; (sq ft) 190
W/o winch	(cu ft) 1,667; (sq ft) 179
Vehicle dimensions:	
Ground clearance	(in.) 10 3/4
Pintle height, empty	(in.) 30 3/4
Loading height, empty	(in.) 58
Struck capacity	(cu yd) 5
Electrical system	(volts) 24
No. of batteries	(12-volt) 2
Type of ground	negative
Brakes:	
Manufacturer	Timken; Type, air-actuated hydraulic
Parking brake, type	transfer
Transmission:	
Forward speeds	5
Gear ratio	High 1:1; Fourth 1.43:1; Low 7.31:1
Transfer:	
Speeds	2
Gear ratio	High 1:1; Low 2.024:1

Purpose: To haul and dump earth, sand, gravel, etc.

GENERAL DATA—Continued

Fuel octane rating	80
Capacities:	
Fuel	(gal) 110
Cooling system	(qt) 44
Crankcase, refill	(qt) 18
Transmission, w/PTO	(qt) 13
Transfer	(qt) 5
Axles	(qt) 12
Winch:	
Oil capacity	(qt) 1
Load capacity	(lb) 20,000

PERFORMANCE

Computed grade ability in lowest gear, loaded	(percent) 65
Turning radius	(ft) 39 1/4
Fording depth	(in.) 78
Fuel consumption, loaded	(mpg) 4
Cruising range, loaded	(mi) 440
Allowable speed, governed	(mph) 52
Maximum recommended towed load:	
Off highway	gross (lb): 15,000
On highway	gross (lb): 30,000

ENGINE

Manufacturer	Continental Motors; Model; R-6602
Type	Valve-in-head, 4-cycle; No. of cylinders (in line) 6
Displacement	(cu in.) 602
Bore	(in.) 4 7/8
Stroke	(in.) 5 3/4
Compression ratio	6.4:1
Governed speed	(rpm) 2,800
Brake horsepower (max w/std accessories)	196 at (rpm) 2,800
Torque (max w/std accessories)	480 lb-ft at (rpm) 1,200

ADDITIONAL DATA

Dimensions w/o winch: over-all length (in.) 266 1/8; chassis overhang, front (in.) 37 1/4; angle of approach (deg) 52.
 Live-axes, type.....double-reduction, full-floating
 Transmission, type.....synchromesh
 Equipped with hydraulic power steering gear.

TRUCK, TRACTOR, 5-TON, 6 x 6, M52, W/ AND W/O WINCH



Technical Manual: 9-837; Supply Catalog: SNL G-744.

Classification: Standard.

GENERAL DATA

Crew	2
Weight (lb):	
Net:	
W/winch	18,313
W/o winch	18,996
Payload	off highway 15,000; on highway 25,000
Gross:	
Off highway:	
W/winch	33,996
W/o winch	33,313
On highway:	
W/winch	43,996
W/o winch	43,313
Rear-axle gear ratio	6.443:1
Axle load (lb):	
Empty:	
Front:	
W/winch	9,008
W/o winch	8,163
Rear:	
W/winch	(each) 4,994
W/o winch	(each) 5,075
Loaded:	
Off highway:	
Front:	
W/winch	9,618
W/o winch	8,773
Rear:	
W/winch	(each) 12,189
W/o winch	(each) 12,270
On highway:	
Front:	
W/winch	9,868
W/o winch	9,023
Rear:	
W/winch	(each) 17,064
W/o winch	(each) 17,145
Tires:	
Ply 12	Size 11.00 x 20; Pressure (psi) 70
Tread, center-to-center, front	(in.) 73 5/8
Shipping dimensions, uncrated:	
W/winch	(cu ft) 1,580; (sq ft) 184
W/o winch	(cu ft) 1,500; (sq ft) 174
Vehicle dimensions:	
Ground clearance	(in.) 11 3/8
Pintle height, empty	(in.) 31 1/2
Frame height	(in.) 44 9/16
Height to center of fifth wheel, empty	(in.) 56 1/16
Height to rear of fifth wheel, empty	(in.) 45 9/16
Center of fifth wheel forward of rear axle	(in.) 4 9/16
Electrical system	(volts) 24
No. of batteries	2
Type of ground	negative

Purpose: To tow semitrailers.

GENERAL DATA—Continued

Fuel octane rating	80
Capacities:	
Fuel	(gal) 110
Cooling system	(qt) 44
Crankcase, refill	(qt) 18
Transmission (qt)	w/o power take-off 6; w/power take-off 8
Transfer	(qt) 5
Rear axle	(qt) 12
Winch:	
Oil capacity	(qt) 3
Load capacity	(lb) 20,000
Brakes:	
Manufacturer	Bendix; Type, air-hydraulic
Parking brake, type	transfer
Transmission:	
Forward speeds	5
Gear ratio	High 1:1; Fourth 1.43:1; Low 7.31:1
Transfer:	
Speeds	2
Gear ratio	High 1:1; Low 2.024:1

PERFORMANCE

Computed grade ability in lowest gear w/off highway load	(percent) 65
Turning radius (ft):	
W/o winch	38
W/winch	38 1/2
Fording depth	(in.) 30
Fuel consumption, loaded	(mpg) 2.7
Cruising range, loaded	(mi) 300
Allowable speed, governed	(mph) 52
Maximum pintle tow:	
Off highway	gross (lb) 15,000
On highway	gross (lb) 30,000
Maximum semitrailer, gross	(lb) 30,000

ENGINE

Manufacturer: Continental	Model R6602-69
Type	4-cycle, valve-in-head; No. of cylinders (in line) 6
Displacement	(cu in.) 602
Bore	(in.) 4 7/8
Stroke	(in.) 5 7/8
Compression ratio	6.4:1
Governed speed	(rpm) 2,800
Brake horsepower (max w/std accessories)	196 at (rpm) 2,800
Torque (max w/std accessories)	480 lb-ft at (rpm) 1,200

ADDITIONAL DATA

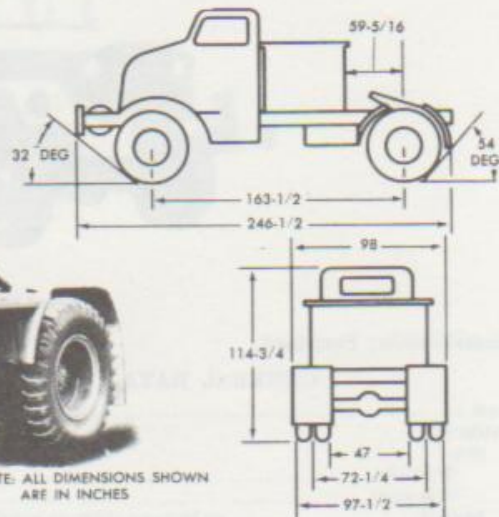
Live axles, type	double-reduction, full-floating
Transmission, type	synchronesh
	Equipped with hydraulic power steering gear.

TRUCK, PONTON TRACTOR, 5- TO 6-TON, 4 x 4

(Autocar, Model U8144T, COE)



RA PD 137847



NOTE: ALL DIMENSIONS SHOWN ARE IN INCHES

Technical Manuals: 9-817, 9-1817, 9-1825B, 9-1826C, 9-1827A, 9-1828A, 9-1832A; Supply Catalog: SNL G-511.

Classification: Standard.

GENERAL DATA

Crew	2
Weight (lb)	Net 16,660; Payload, 10,460; Gross, 27,120
Live-axle gear ratio	8.148:1
Axle load (lb):	
Empty	front 9,490; rear 7,170
Loaded	front 11,020; rear 16,100
Tires:	
Ply 14	Size 12.00 x 20; Pressure (psi) 80
Tread, center-to-center, front	(in.) 71 3/4
Shipping dimensions, uncrated	(cu ft) 1,605; (sq ft) 168
Vehicle dimensions:	
Ground clearance	(in.) 10 3/4
Pintle height (in.)	Loaded 34 1/2; empty 38
Center of fifth wheel to center of rear axle	(in.) 3
Height to center of fifth wheel	(in.) 48 1/2
Height to rear of fifth wheel	(in.) 42 1/2
Electrical system	(volts) 12
No. of batteries	(6-volt) 2
Type of ground	positive
Fuel octane rating	.68
Capacities:	
Fuel	(gal) 90
Cooling system	(qt) 40
Crankcase (qt)	dryfill 14; refill 12
Transfer	(qt) 2
Transmission w/PTO (qt)	winter 10; summer 8
Axles (qt)	front 8; rear 10
Winch:	
Oil capacity	(qt) 2
Load capacity	(lb) 15,000
Brakes:	
Manufacturer	Bendix-Westinghouse; Type, air
Parking brake, type	transmission
Transmission:	
Forward speeds	5
Gear ratio	High 0.75:1; Fourth 1:1; Low 5.9:1
Transfer:	
Speeds	2
Gear ratio	High 1:1; Low 1.72:1

Purpose: Used by Corps of Engineers to tow semi-trailers with ponton equipment.

PERFORMANCE

Computed grade ability in lowest gear, loaded	(percent) 36.2
Turning radius	(ft) 35
Fording depth	(in.) 25
Fuel consumption, empty	(mpg) 7
With maximum allowable towed load	(mpg) 3
Cruising range, empty	(mi) 630
With maximum allowable towed load	(mi) 270
Allowable speed, governed	(mph) 45
Maximum semitrailer, gross	(lb) 30,000

ENGINE

Manufacturer	Herules; Model RXC
Type	4-cycle, L-head; No. of cylinders (in line) 6
Displacement	(cu in.) 529
Bore	(in.) 4 1/4
Stroke	(in.) 5 1/4
Compression ratio	5.4:1
Governed speed	(rpm) 2,300
Brake horsepower (max w/std accessories)	112 at (rpm) 2,200
Torque (max)	368 lb-ft at (rpm) 1,000

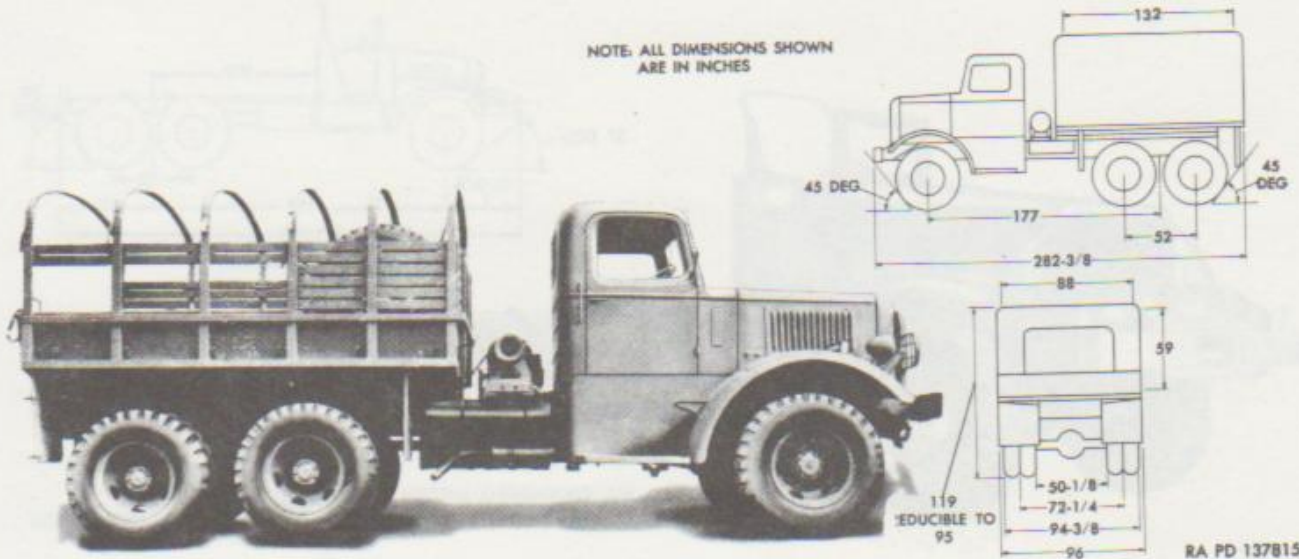
ADDITIONAL DATA

Over-all height w/closed cab	(in.) 110
Live axles, type	double-reduction, full-floating
Transmission, type	constant-mesh

TRUCK, CARGO, 6-TON, 6 x 6, W/WINCH

(Mack, Models NM1, NM3 NM5, NM6)

NOTE: ALL DIMENSIONS SHOWN
ARE IN INCHES



RA PD 137815

Technical Manual: 10-1477; Supply Catalog: SNL G-835.

Classification: Nonclassified.

Purpose: To transport general cargo, and prime mover for field artillery.

GENERAL DATA

Crew	2
Weight (lb) Net	22,650
Payload:	
Off highway	12,350; Gross 35,000
On highway	19,300; Gross 41,950
Live-axle gear ratio	7.33:1
Axle load (lb):	
Empty	front 9,687; rear (each) 6,486
Loaded:	
Off highway	front 10,337; rear (each) 12,336
On highway	front 10,703; rear (each) 15,628
Tires:	
Ply 12	Size 10.00 x 22; Pressure (psi) 70
Tread, center-to-center, front	(in.) 73 1/4
Shipping dimensions, uncrated	(cu ft) 1,870; (sq ft) 188
Vehicle dimensions:	
Ground clearance	(in.) 10 3/4
Pintle height, empty	(in.) 32
Loading height, empty	(in.) 58
Body inside dimensions (in.):	
Length	132
Width	88
Height	59
Body cargo space	(cu ft) 396
Electrical system (12-volt starting)	(volts) 6
No. of batteries (6-volt)	2
Type of ground	positive
Fuel octane rating	70
Brakes:	
Manufacturer	Bendix-Westinghouse; Type: air
Parking brake, type	transfer
Transmission:	
Forward speeds	5
Gear ratio	High 1:1; Fourth 1.45:1; Low 8.05:1
Transfer:	
Speeds	2
Gear ratio	High 1:1; Low 2.55:1

GENERAL DATA—Continued

Capacities:	
Fuel	(gal) 80
Cooling system	(qt) 54
Crankcase, refill	(qt) 19
Transmission	(qt) 10
Transfer	(qt) 4
Axles (qt)	front 6
Bogie (each)	10
Winch:	
Oil capacity	(qt) 294
Load capacity	(lb) 30,000

PERFORMANCE

Computed grade ability in lowest gear, loaded	(percent) 65
Turning radius (ft)	Right 37; Left 36
Fording depth	(in.) 44
Fuel consumption, loaded	(mpg) 3 1/4
Cruising range, loaded	(mi) 280
Allowable speed, governed	(mph) 34
Maximum recommended towed load:	
Off highway gross (lb)	15,000
On highway gross (lb)	30,000

ENGINE

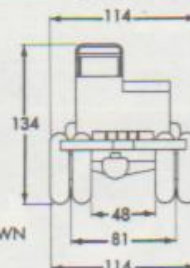
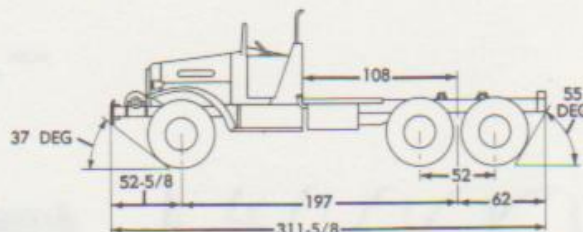
Manufacturer	Mack; Model EY
Type	Valve-in-head, 4-cycle; No. of cylinders (in line) 6
Displacement	(cu in.) 707
Bore	(in.) 5
Stroke	(in.) 6
Compression ratio	5.35:1
Governed speed	(rpm) 2,100
Brake horsepower (max w/std accessories)	150 at (rpm) 2,100
Torque (max)	530 lb-ft at (rpm) 1,000

ADDITIONAL DATA

Live axles, type	double-reduction, full-floating
Transmission, type	constant-mesh

TRUCK, CRANE CHASSIS, 6-TON, 6 x 6

(Corbitt, Model C666)



NOTE: ALL DIMENSIONS SHOWN ARE IN INCHES

RA PD 172656

Technical Manuals: 9-813, 9-1813, 9-1825A, 9-1826C, 9-1827A, 9-1828A, 9-1829A, 9-1832A; Supply Catalog: SNL G-514.

Classification: Nonclassified.

Purpose: Used by Corps of Engineers for mounting crane.

GENERAL DATA

Crew.....	1
Weight (lb):	
Net.....	22,400; Payload (crane) 10,450; Gross 32,850
Live-axle gear ratio.....	7.33:1
Axle load (lb):	
Loaded.....	front 11,600; rear (each) 10,675
Tires:	
Ply 18.....	Size 14.00 x 20; Pressure (psi) 40
Tread, center-to-center, front.....	(in.) 74
Shipping dimensions, uncrated.....	(cu ft) 4,390; (sq ft) 251
Vehicle dimensions:	
Ground clearance.....	(in.) 13
Pintle height, empty.....	(in.) 41
Electrical system (12-volt starting).....	(volts) 6
No. of batteries.....	(6-volt) 2
Type of ground.....	positive
Fuel octane rating.....	72
Capacities:	
Fuel.....	(gal) 118
Cooling system.....	(qt) 58
Crankcase, refill.....	(qt) 14
Transmission.....	(qt) 10
Transfer.....	(qt) 3 1/2
Axles.....	(qt) front 8; rear (each) 6
Winch:	
Oil capacity.....	(qt) 1
Load capacity.....	(lb) 25,000
Brakes:	
Manufacturer.....	Bendix-Westinghouse; Type; air
Parking brake, type.....	transfer
Transmission:	
Forward speeds.....	4
Gear ratio.....	High 1:1; Low 6.54:1
Transfer:	
Speeds.....	2
Gear ratio.....	High 1:1; Low 2.55:1

PERFORMANCE

Computed grade ability in lowest gear, loaded.....	(percent) 65
Turning radius (ft).....	(Right) 44; (Left) 43
Fording depth.....	(in.) 35
Fuel consumption, loaded.....	(mpg) 2.6
Cruising range, loaded.....	(mi) 306
Allowable speed, governed.....	(mph) 37

ENGINE

Manufacturer: Hercules.....	Model HXD
Type.....	4-cycle, L-head; No. of cylinders (in line) 6
Displacement.....	(cu in.) 885
Bore.....	(in.) 5 1/2
Stroke.....	(in.) 6
Compression ratio.....	5.5:1
Governed speed.....	(rpm) 2,160
Brake horsepower (max w/std accessories).....	202 at (rpm) 2,160
Torque (max w/std accessories).....	642 lb-ft at (rpm) 900

ADDITIONAL DATA

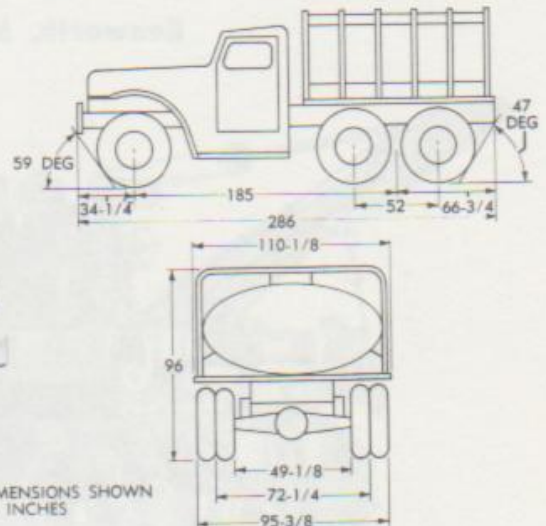
Live axles, type.....	double-reduction, full-floating
Transmission, type.....	constant-mesh

TRUCK, GASOLINE TANK, 6-TON, 6 x 6, 2,000-GAL

(White, Model 666, 1942-43-44)



RA PD 172674



NOTE: ALL DIMENSIONS SHOWN ARE IN INCHES

Technical Manuals: 9-813, 9-1813, 9-1825A, 9-1826C, 9-1827A, 9-1828A, 9-1829A, 9-1832A; Supply Catalog: SNL G-514.

Classification: Nonclassified.

Purpose: To transport and dispense gasoline.

GENERAL DATA

Crew.....	2
Weight (lb).....	Net 23,820; Payload 12,000; Gross 35,820
Live-axle gear ratio.....	7.33:1
Axle load (lb):	
Empty.....	front 8,580; rear (each) 7,620
Loaded.....	front 8,780; rear (each) 13,520
Tires:	
Ply 12.....	Size 10.00 x 22; Pressure (psi) 70
Tread, center-to-center, front.....	(in.) 73 1/4
Shipping dimensions, uncrated.....	(cu ft) 1,780; (sq ft) 220
Vehicle dimensions:	
Ground clearance.....	(in.) 10 3/4
Distance from rear of cab to center of rear suspension.....	(in.) 96
Distance from rear of cab to front of body.....	(in.) 18
Electrical system (12-volt starting).....	(volts) 6
No. of batteries.....	(6-volt) 2
Type of ground.....	positive
Fuel octane rating.....	72
Capacities:	
Fuel.....	(gal) 80
Cooling system.....	(qt) 58
Crankcase, refill.....	(qt) 16
Transmission.....	(qt) 9
Transfer.....	(qt) 3 1/2
Live axles, each (qt).....	front 8; rear 6
Brakes:	
Manufacturer.....	Bendix-Westinghouse; Type; air
Parking brake, type.....	transfer
Transmission:	
Forward speeds.....	4
Gear ratio.....	High 1:1; Low 6.54:1
Transfer:	
Speeds.....	2
Gear ratio.....	High 1:1; Low 2.55:1

PERFORMANCE

Computed grade ability in lowest gear, loaded.....	(percent) 65
Turning radius.....	(ft) 41
Fording depth.....	(in.) 24
Fuel consumption, loaded.....	(mpg) 33 1/4
Cruising range, loaded.....	(mi) 300
Allowable speed, governed.....	(mph) 35

ENGINE

Manufacturer.....	Hercules; Model HXD
Type.....	4-cycle, L-head; No. of cylinders (in line) 6
Displacement.....	(cu in.) 85 1/2
Bore.....	(in.) 5 1/4
Stroke.....	(in.) 6
Compression ratio.....	5.49:1
Governed speed.....	(rpm) 2,150
Brake horsepower (max w/std accessories).....	202 at (rpm) 2,150
Torque (max w/std accessories).....	642 lb-ft at (rpm) 900

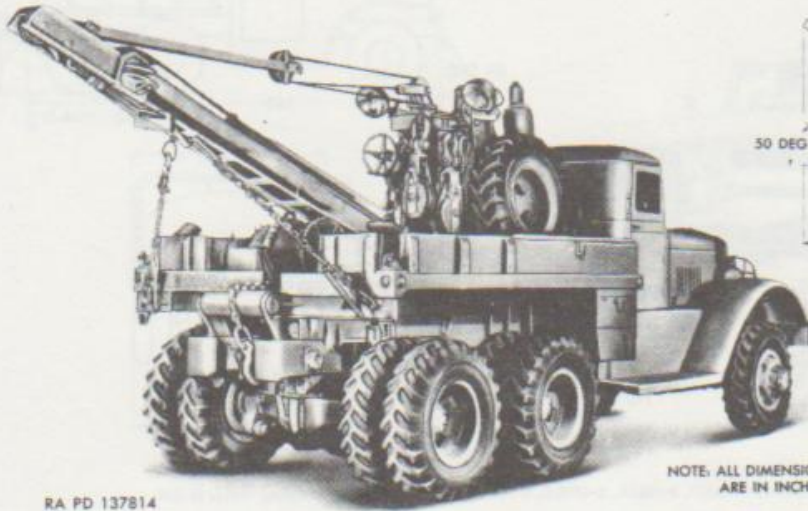
ADDITIONAL DATA

Live axles, type.....	double-reduction, full-floating
Transmission, type.....	constant-mesh

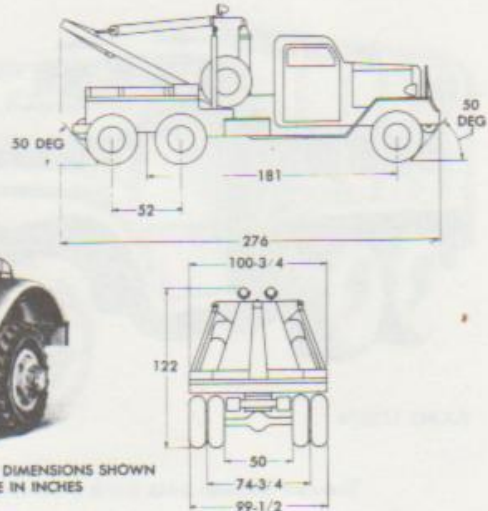
TRUCK, HEAVY WRECKER, 6-TON, 6 x 6, M1

(Ward La France, Model 1000, Series 1, 2, 3, and 4;

Kenworth, Models 570, 571, and 572)



RA PD 137814



NOTE: ALL DIMENSIONS SHOWN ARE IN INCHES

Technical Manual: 9-796; Supply Catalog: SNL G-116.

Classification: Limited Standard.

GENERAL DATA

Crew	2
Weight (lb)	Net 27,330; Payload 8,000; Gross 35,330
Live-axle gear ratio	8.27:1
Axle load (lb):	
Empty	front 7,652; rear (each) 9,539
Loaded	front 9,892; rear (each) 12,719
Tires:	
Ply 12	Size 11 x 20; Pressure (psi) 70
Tread, center-to-center, front	(in.) 72
Shipping dimensions, uncrated	(cu ft) 1,900; (sq ft) 194
Vehicle dimensions (in.):	
Ground clearance	11
Loading height, empty	56
Pintle height, loaded	36
Electrical system	(volts) 12
No. of batteries	1
Type of ground	positive
Fuel octane rating	68
Capacities:	
Fuel	(gal) 100
Cooling system	(qt) 40
Crankcase, refill	(qt) 10
Transmission	(qt) 12
Transfer	(qt) 2½
Axles (qt)	front 8; rear (each) 7
Winch:	
Oil capacity (qt)	front 2; rear 4½
Load capacity (lb)	front 20,000; rear 47,500
Boom winch gear case	(qt) 2
Crane winch gear case	(qt) 2
Pivot gear case	(qt) 4
Crane lift capacity (max)	(lb) 20,000
Brakes:	
Manufacturer	Bendix-Westinghouse; Type; air
Parking brake, type	transfer

Purpose: To tow, salvage, and recover disabled heavy vehicles and equipment and for numerous repair operations where heavy hoist and winch equipment is needed.

GENERAL DATA—Continued

Transmission:	
Forward speeds	5
Gear ratio	High 0.776:1; Fourth 1:1; Low 7.07:1
Transfer:	
Speeds	2
Gear ratio	High 1:1; Low 2.55:1

PERFORMANCE

Computed grade ability in lowest gear, loaded	(percent) 54
Turning radius	(ft) 44
Fording depth	(in.) 40
Fuel consumption, loaded	(mpg) 2½
Cruising range, loaded	(mi) 250
Allowable speed, governed	(mph) 45
Maximum recommended towed load, gross	(lb) 60,000

ENGINE

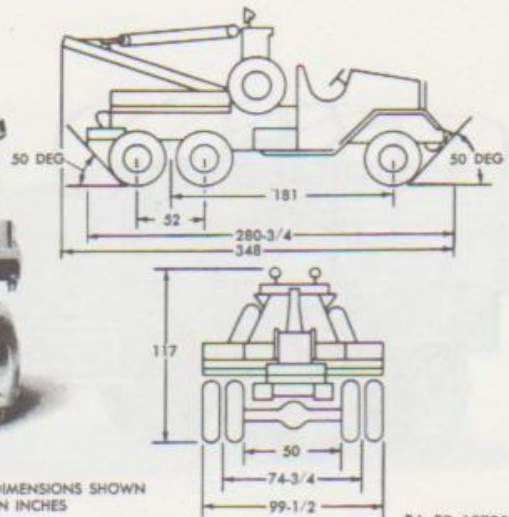
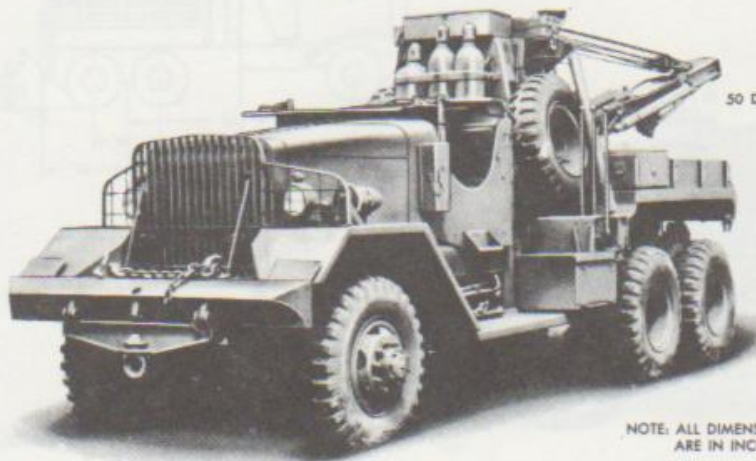
Manufacturer	Continental; Model 22R
Type	Valve-in-head, 4-cycle; No. of cylinders (in line) 6
Displacement	(cu in.) 501
Bore	(in.) 4½
Stroke	(in.) 5¼
Compression ratio	5.23:1
Governed speed	(rpm) 2,400
Brake horsepower (max w/std accessories)	145 at (rpm) 2,400
Torque (max)	372 lb-ft at (rpm) 1,200

ADDITIONAL DATA

Live axles, type	double-reduction, full-floating
Transmission, type	constant-mesh

TRUCK, HEAVY WRECKER, 6-TON, 6 x 6, M1A1

(Ward La France, Model 1000, Series 5; Kenworth, Model 573)



NOTE: ALL DIMENSIONS SHOWN ARE IN INCHES

RA PD 137853

Technical Manual: 9-796; Supply Catalog: SNL G-116.

Vehicle illustrated: Ward La France.
Classification: Standard.

GENERAL DATA

Crew	2
Weight (lb)	Net 30,000; Payload 8,000; Gross 38,000
Live-axle gear ratio	8.27:1
Axle load (lb):	
Empty	front 8,400; rear (each) 10,800
Loaded	front 10,940; rear (each) 13,680
Tires:	
Ply 12	Size 11.00 x 20; Pressure (psi) 70
Tread, center-to-center, front	(in.) 73
Shipping dimensions, uncrated	(cu ft) 1,900; (sq ft) 195
Vehicle dimensions:	
Ground clearance	(in.) 11
Loading height	(in.) 56
Pintle height, loaded	(in.) 36
Electrical system	(volts) 12
No. of batteries	1
Type of ground	positive
Fuel octane rating	.68
Capacities:	
Fuel	(gal) 100
Cooling system	(qt) 35
Crankcase, refill	(qt) 10
Transmission	(qt) 12
Transfer	(qt) 2 1/4
Axles (qt)	front 8; rear (each) 7
Winch:	
Oil capacity (qt)	front 1 1/4; rear 4
Load capacity (lb)	front 20,000; rear 47,500
Rear-winch transmission	(qt) 3
Crane:	
Oil capacity	(qt) 3 1/2
Lift capacity (max)	(lb) 16,000
Brakes:	
Manufacturer	Bendix-Westinghouse; Type: air
Parking brake, type	transfer

Purpose: To tow, salvage, and recover disabled heavy vehicles and equipment and for numerous repair operations where heavy hoist and winch equipment is needed.

GENERAL DATA—Continued

Transmission:	
Forward speeds	5
Gear ratio	High 0.776:1; Fourth 1:1; Low 7.07:1
Transfer:	
Speeds	2
Gear ratio	High 1:1; Low 2.55:1

PERFORMANCE

Computed grade ability in lowest gear, loaded	(percent) 54
Turning radius	(ft) 35
Fording depth	(in.) 40
Fuel consumption, loaded	(mpg) 2 1/2
Cruising range, loaded	(mi) 250
Allowable speed, governed	(mph) 45
Maximum recommended tow load, gross	(lb) 60,000

ENGINE

Manufacturer	Continental; Model 22R
Type	Valve-in-head, 4-cycle; No. of cylinders (in line) 6
Displacement	(cu in.) 501
Bore	(in.) 4 1/4
Stroke	(in.) 5 1/4
Compression ratio	5.23:1
Governed speed	(rpm) 2,400
Brake horsepower (max w/std accessories)	145 at (rpm) 2,400
Torque (max)	372 lb-ft at (rpm) 1,200

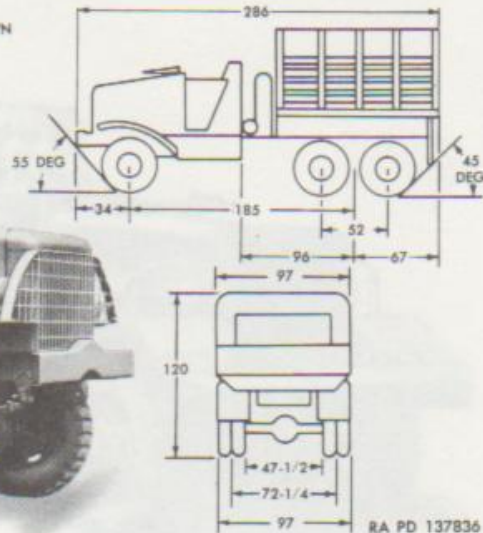
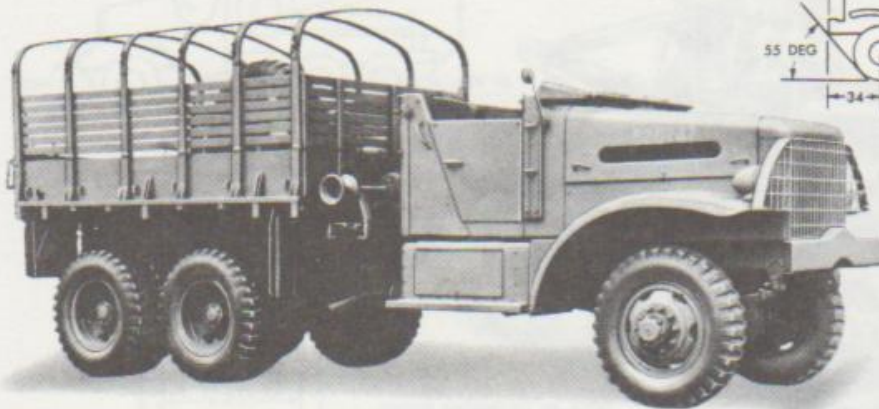
ADDITIONAL DATA

Height with gun mount	(in.) 119 1/2
Live axles, type	double-reduction, full-floating
Transmission, type	constant-mesh

TRUCK, PRIME MOVER, 6-TON, 6 x 6, W/WINCH

(Corbitt Model 50SD6)

NOTE: ALL DIMENSIONS SHOWN ARE IN INCHES



Technical Manuals: 9-813, 9-1813, 9-1825A, 9-1826C, 9-1827A, 9-1828A, 9-1832A; Supply Catalog: SNL G-512.

Classification: Standard.

GENERAL DATA

Crew.....	2
Weight (lb).....	Net 22,070
Payload:	
Off highway.....	12,350*; gross 34,420
On highway.....	20,000; gross 42,070
Live-axle gear ratio.....	7.33:1
Axle load (lb):	
Empty.....	front 8,650; rear (each) 6,710
Loaded:	
Off highway.....	front 8,820; rear (each) 12,800
On highway.....	front 8,900; rear (each) 16,585
Tires:	
Ply 12.....	Size 10.00 x 22; Pressure (psi) 70
Tread, center-to-center, front.....	(in.) 73 1/4
Shipping dimensions, uncrated.....	(cu ft) 1,450; (sq ft) 193
Vehicle dimensions:	
Ground clearance.....	(in.) 10
Loading height, empty.....	(in.) 57 1/4
Pintle height, loaded.....	(in.) 32
Body inside dimensions (in.):	
Length.....	132; Width 93; Height 60
Body cargo space.....	(cu ft) 427
Electrical system (12-volt starting).....	(volts) 6
No. of batteries.....	(6-volt) 2
Type of ground.....	positive
Fuel octane rating.....	70
Capacities:	
Fuel.....	(gal) 80
Cooling system.....	(qt) 65
Crankcase, refill.....	(qt) 14
Transfer.....	(qt) 3 1/2
Transmission.....	(qt) 9
Axles (qt).....	front 8; rear (each) 6
Winch:	
Oil capacity.....	(qt) 1
Load capacity.....	(lb) 15,000

*With maximum trailed load, the payload should be reduced to 10,350 lb.

Purpose: To tow heavy artillery and transport personnel and cargo.

GENERAL DATA—Continued

Brakes:	
Manufacturer.....	Westinghouse; Type; air
Parking brake, type.....	transfer
Transmission:	
Forward speeds.....	4
Gear ratio.....	High 1:1; Low 6.51:1
Transfer:	
Speeds.....	2
Gear ratio.....	High 1:1; Low 2.55:1

PERFORMANCE

Computed grade ability in lowest gear, loaded.....	(percent) 65
Turning radius (ft).....	Right 41; Left 42
Fording depth.....	(in.) 24
Fuel consumption, loaded.....	(mpg) 2 1/2
Cruising range, loaded.....	(mi) 200
Allowable speed, governed.....	(mph) 37 1/2
Maximum recommended towed load:	
Off highway, gross.....	(lb) 16,500
On highway, gross.....	(lb) 40,000

ENGINE

Manufacturer: Hercules.....	Model HXD
Type.....	L-head, 4-cycle; No. of cylinders (in line) 6
Displacement.....	(cu in.) 855
Bore.....	(in.) 5 1/2
Stroke.....	(in.) 6
Compression ratio.....	5.49:1
Governed speed.....	(rpm) 2,150
Brake horsepower (max w/std accessories).....	202 at (rpm) 2,150
Torque (max w/std accessories).....	642 lb-ft at (rpm) 900

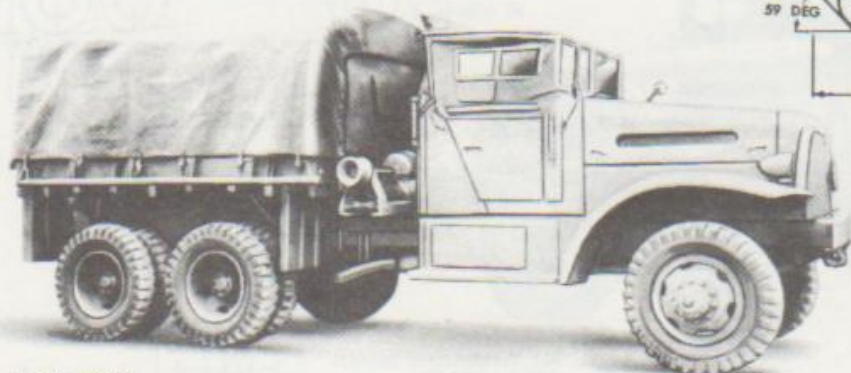
ADDITIONAL DATA

Equipped with controls for electric trailer brakes.	
Live axles, type.....	double-reduction, full-floating
Transmission, type.....	constant-mesh

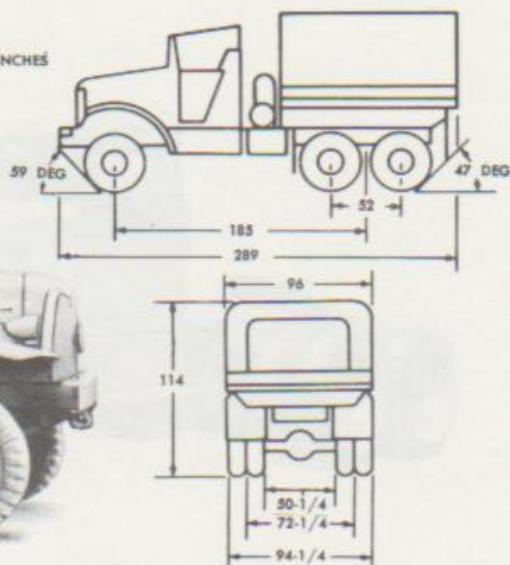
TRUCK, PRIME MOVER AND CARGO, 6-TON, 6 x 6, W/WINCH

(White, Model 666, 1942-43-44)

NOTE: ALL DIMENSIONS SHOWN ARE IN INCHES



RA PD 172631



Technical Manuals: 9-813, 9-1813, 9-1825A, 9-1826C, 9-1827A, 9-1828A, 9-1829A, 9-1832A; Supply Catalog: SNL G-514.

Classification: Standard.

GENERAL DATA

Crew	2
Weight (lb): Net	22,900
Payload	off highway 12,000; on highway 19,100
Gross	off highway 34,900; on highway 42,000
Live-axle gear ratio	7:33:1
Axle load (lb):	
Empty	front 8,580; rear (each) 7,160
Loaded:	
Off highway	front 8,780; rear (each) 13,060
On highway	front 8,980; rear (each) 16,540
Tires:	
Ply	12; Size 10.00 x 22; Pressure (psi) 70
Tread, center-to-center, front	(in.) 73 1/4
Shipping dimensions, uncrated	(cu ft) 1,840; (sq ft) 193
Vehicle dimensions:	
Ground clearance	(in.) 18 3/4
Loading height, empty	(in.) 58 3/4
Pintle height, loaded	(in.) 29 1/4
Body inside dimensions (in.):	
Length	90; Width 92; Height 43 1/4
Body cargo space	(cu ft) 208
Electrical system (12-volt starting)	(volts) 6
No. of batteries	(6-volt) 2
Type of ground	positive
Fuel octane rating	72
Capacities:	
Fuel	(gal) 80
Cooling system	(qt) 58
Crankcase, refill	(qt) 14
Transmission	(qt) 9
Transfer	(qt) 3 1/4
Axles (qt)	front 11; rear (each) 12
Winch	Oil capacity (qt) 3; Load capacity (lb) 25,000
Brakes:	
Manufacturer	Bendix-Westinghouse; Type: air
Parking brake, type	propeller-shaft

Purpose: To tow heavy artillery and transport personnel and cargo.

GENERAL DATA—Continued

Transmission:	
Forward speeds	4
Gear ratio	High 1:1; Low 6.54:1
Transfer:	
Speeds	2
Gear ratio	High 1:1; Low 2.55:1

PERFORMANCE

Computed grade ability in lowest gear, loaded	(percent) 65
Turning radius	(ft) 41
Fording depth	(in.) 24
Fuel consumption, loaded	(mpg) 3/4
Cruising range, loaded	(mi) 300
Allowable speed, governed	(mph) 35
Maximum recommended towed load:	
Off highway	gross (lb) 20,000
On highway	gross (lb) 40,000

ENGINE

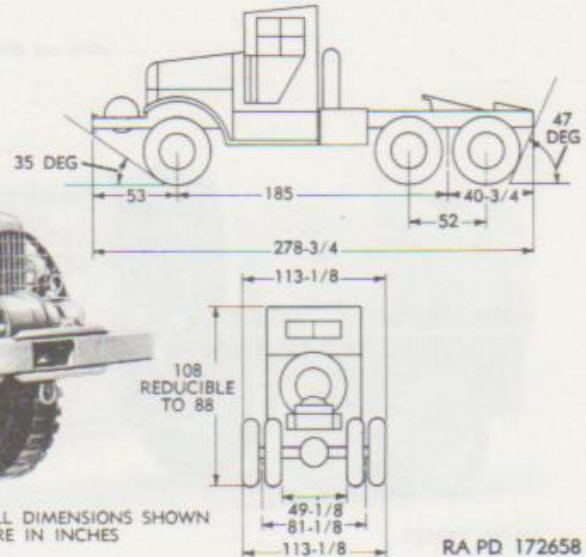
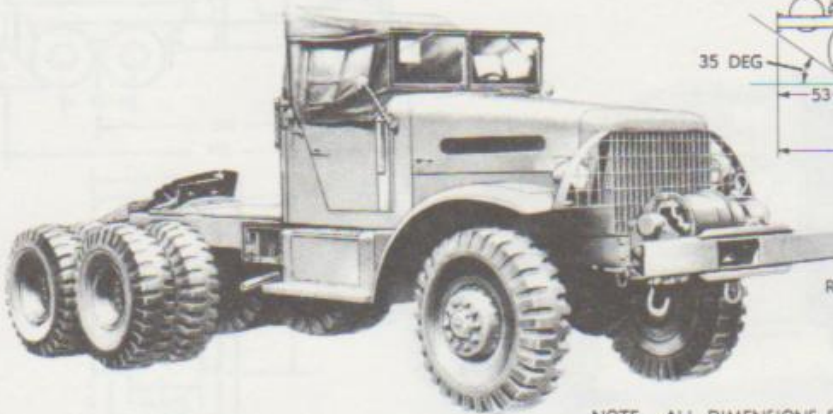
Manufacturer	Hercules; Model HXD
Type	4-cycle, L-head; No. of cylinders (in line) 6
Displacement	(cu in.) 855
Bore	(in.) 5 1/4
Stroke	(in.) 6
Compression ratio	5.5:1
Governed speed	(rpm) 2,150
Brake horsepower (max w/std accessories)	202 at (rpm) 2,150
Torque (max w/std accessories)	642 lb-ft at (rpm) 900

ADDITIONAL DATA

Live axles, type	double reduction, full-floating
Transmission, type	constant-mesh

TRUCK, TRACTOR, 6-TON, 6 x 6

(White, Model 666, 1942-43-44)



NOTE: ALL DIMENSIONS SHOWN ARE IN INCHES

RA PD 172658

Technical Manuals: 9-813, 9-1813, 9-1825A, 9-1826C, 9-1827A, 9-1828A, 9-1829A, 9-1832A; Supply Catalog: SNL G-514.

Classification: Standard.

GENERAL DATA

Crew	2
Weight (lb)	Net 21,530
Payload	off highway 12,000; on highway 20,000
Gross	off highway 33,530; on highway 41,530
Live-axle gear ratio	7.33:1
Axle load (lb):	
Empty	front 9,080; rear (each) 6,225
Loaded:	
Off highway	front 9,480; rear (each) 12,025
On highway	front 9,580; rear (each) 15,975
Tires:	
Ply 12	Size 14.00 x 20; Pressure: (psi) 70
Tread, center-to-center, front	(in.) 75 1/4
Shipping dimensions, uncrated, w/winch:	
(cu ft) 1,970	(sq ft) 218
Vehicle dimensions:	
Ground clearance	(in.) 13 1/4
Pintle height, empty	(in.) 33 1/2
Height of frame	(in.) 48 1/2
Height of fifth wheel	(in.) 59 1/2
Horizontal center-to-center distance between fifth wheel and axle	(in.) 3 1/2
Electrical system (12-volt starting)	(volts) 6
No. of batteries	2
Type of ground	positive
Fuel octane rating	72
Capacities:	
Fuel	(gal) 80
Cooling system	(qt) 58
Crankcase, refill	(qt) 16
Transmission	(qt) 9
Transfer	(qt) 3 1/2
Live axles, each (qt)	front 8; rear 6
Winch:	
Oil capacity	(qt) 3
Load capacity	(lb) 25,000

Purpose: To tow semitrailers.

GENERAL DATA—Continued

Brakes:	
Manufacturer: Bendix-Westinghouse	Type: air
Parking brake, type	transfer
Transmission:	
Forward speeds	4
Gear ratio	High 1:1; Low 6.54:1
Transfer:	
Speeds	2
Gear ratio	High 1:1; Low 2.55:1

PERFORMANCE

Computed grade ability in lowest gear, loaded	(percent) 65
Turning radius	(ft) 41
Fording depth	(in.) 24
Fuel consumption, loaded	(mpg) 34
Cruising range, loaded	(mi) 300
Allowable speed, governed	(mph) 35
Maximum semitrailer, gross	(lb) 30,000

ENGINE

Manufacturer: Hercules	Model HXD
Type	4-cycle, L-head; No. of cylinders (in line) 6
Displacement	(cu in.) 855
Bore	(in.) 5 1/4
Stroke	(in.) 6
Compression ratio	5.49:1
Governed speed	(rpm) 2,150
Brake horsepower (max w/std accessories)	302 at (rpm) 2,150
Torque (max w/std accessories)	642 lb-ft at (rpm) 900

ADDITIONAL DATA

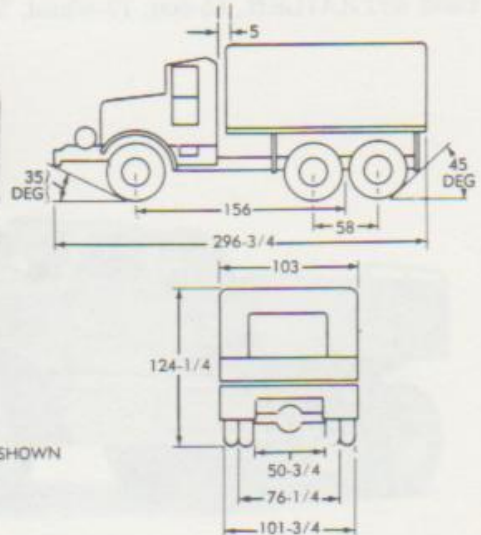
Equipped with controls for trailer electric brakes.	
Live axles, type	double-reduction, full-floating
Transmission, type	constant-mesh

TRUCK, PRIME MOVER, 7½-TON, 6 x 6, W/WINCH

(Mack, Models N02, N03, N06, N07)



RA PD 172675



NOTE: ALL DIMENSIONS SHOWN ARE IN INCHES

Technical Manuals: 10-1679, 9-1826C, 9-1828A, 9-1829A; Supply Catalog: SNL G-532.

Classification: Standard.

GENERAL DATA

Crew	2
Weight (lb)	Net 29,103
Payload	off highway 15,350;* on highway 20,897
Gross	off highway 44,453; on highway 50,000
Live-axle gear ratio	9.02:1
Axle load (lb):	
Empty	front 12,684; rear (each) 8,285
Loaded:	
Off highway	front 13,363; rear (each) 15,845
On highway	front 13,581; rear (each) 15,209
Tires:	
Ply 14	Size 12.00 x 24; Pressure (psi) front 80; rear 65
Tread, center-to-center, front	(in.) 76¼
Shipping dimensions, uncrated	(cu ft) 2,200; (sq ft) 212
Vehicle dimensions:	
Ground clearance	(in.) 129¼
Loading height, empty	(in.) 83¼
Pintle height, loaded	(in.) 42½
Body inside dimensions (in.):	
Length	132
Width	96
Height	58
Body cargo space	(cu ft) 425
Electrical system (volts)	6; starting 12
No. of batteries	(6-volt) 2
Type of ground	positive
Brakes:	
Manufacturer; Bendix-Westinghouse	Type, air
Parking brake, type	propeller-shaft
Transmission:	
Forward speeds	5
Gear ratio	High 1:1; Low 8.05:1
Transfer:	
Speeds	2
Gear ratio	High 1:1; Low 2.55:1

*With maximum towed load, the payload should be reduced to 10,350 lb.

Purpose: To tow heavy artillery (155-mm gun and 8-in. howitzer) and transport general cargo and personnel.

GENERAL DATA—Continued

Fuel octane rating	70
Capacities:	
Fuel	(gal) 160
Cooling system	(qt) 54
Crankcase, refill	(qt) 19
Transmission	(qt) 14
Transfer (w/PTO)	(qt) 15
Axles (qt)	front 7½; rear (each) 11¼
Winch:	
Oil capacity (qt)	3
Load capacity (lb)	40,000

PERFORMANCE

Computed grade ability in lowest gear, loaded	(percent) 65
Turning radius	(ft) 36
Fording depth	(in.) 48
Fuel consumption, loaded	(mpg) 25½
Cruising range, loaded	(mi) 400
Allowable speed, governed	(mph) 32
Maximum recommended towed load:	
Off highway	gross (lb) 32,000
On highway	gross (lb) 30,000

ENGINE

Manufacturer; Mack	Model EY
Type	4-cycle, valve-in-head; No. of cylinders (in line) 6
Displacement	(cu in.) 707
Bore	(in.) 5
Stroke	(in.) 6
Compression ratio	5.35:1
Governed speed	(rpm) 2,100
Brake horsepower (max w/std accessories)	159 at (rpm) 2,100
Torque (max w/std accessories)	534 lb-ft at (rpm) 800

ADDITIONAL DATA

Live axles, type	double-reduction, full-floating
Transmission, type	constant-mesh

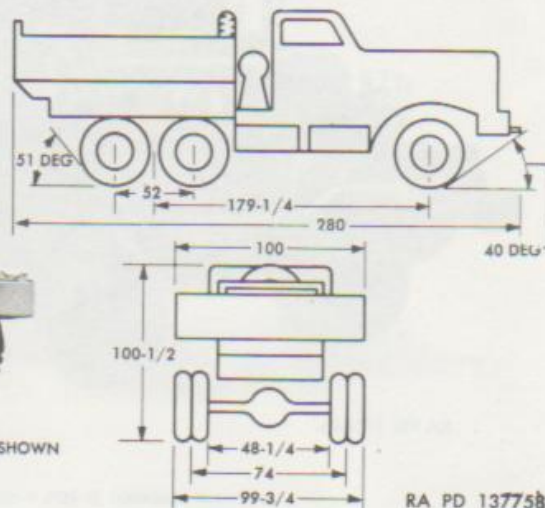
TRUCK, PRIME MOVER, 12-TON, 6 x 4, M20

(Diamond T, Models 980 and 981)

Used w/TRAILER, 45-ton, 12-wheel, Transporter, M9, as component of TRUCK-TRAILER, 45-Ton, Tank Transporter, M19



NOTE: ALL DIMENSIONS SHOWN ARE IN INCHES



RA PD 137758

Technical Manuals: 9-768, 9-1768A, 9-1768B, 9-1768C, 9-1825A, 9-1827A, 9-1829A; Supply Catalog: SNL G-159.

Classification: Substitute Standard.

GENERAL DATA

Crew	2
Weight (lb)	Net 26,950; Payload 18,060; Gross 45,000
Live-axle gear ratio	11.66:1
Axle load (lb):	
Empty	front 10,950; rear (each) 8,000
Loaded	front 11,300; rear (each) 16,850
Tires: Ply 14	Size 12.00 x 20; Pressure (psi) 80
Shipping dimensions, uncrated	(cu ft) 1,630; (sq ft) 194
Vehicle dimensions:	
Ground clearance	(in.) 11 1/4
Loading height, empty	(in.) 57 3/4
Pintle height, loaded	(in.) 30
Ballast body inside dimensions (in.):	
Length 102	Width 94; Height 24
Electrical system	(volts) 24
No. of batteries	(6-volt) 4
Type of ground	positive
Fuel octane rating	45
Capacities:	
Fuel (diesel fuel oil)	(gal) 150
Cooling system	(qt) 61
Crankcase, refill	(qt) 26
Transmission (qt)	Main 9; Auxillary w/P.T.O 8 1/2
Live axles (each)	(qt) 16
Winch	Oil capacity (qt) 4; Load capacity (lb) 40,000
Brakes:	
Manufacturer	Bendix-Westinghouse; Type, Air
Parking brake, type	transmission
Transmission:	
Forward speeds	4
Gear ratio	High 1:1; Low 5.55:1
Auxiliary transmission:	
Speeds	3
Gear ratio	High 0.754:1; Second 1:1; Low 2.09:1

Purpose: To recover and transport damaged tanks and matériel weighing up to 90,000 pounds in connection with trailer, 45-ton, M9, component of 45-ton tank transporter truck-trailer, M19.

PERFORMANCE

Computed grade ability in lowest gear w/towed load	(percent) 27
Turning radius (ft)	right 32 3/4; left 36
Fording depth	(in.) 22
Fuel consumption, loaded	(mpg) 2
Cruising range, loaded	(mi) 300
Allowable speed, governed	(mph) 23
Maximum recommended towed load, gross	(lb) 115,000

ENGINE

Manufacturer	Hercules; Model DXFE
Type	Valve-in-head, 4-cycle diesel, No. of cylinders (in line) 6
Displacement	(cu in.) 895
Bore	(in.) 5 1/4
Stroke	(in.) 6
Compression ratio	14.8:1
Governed speed	(rpm) 1,600
Brake horsepower (max w/std accessories)	185 at (rpm) 1,600
Torque (max)	665 lb-ft at (rpm) 1,200

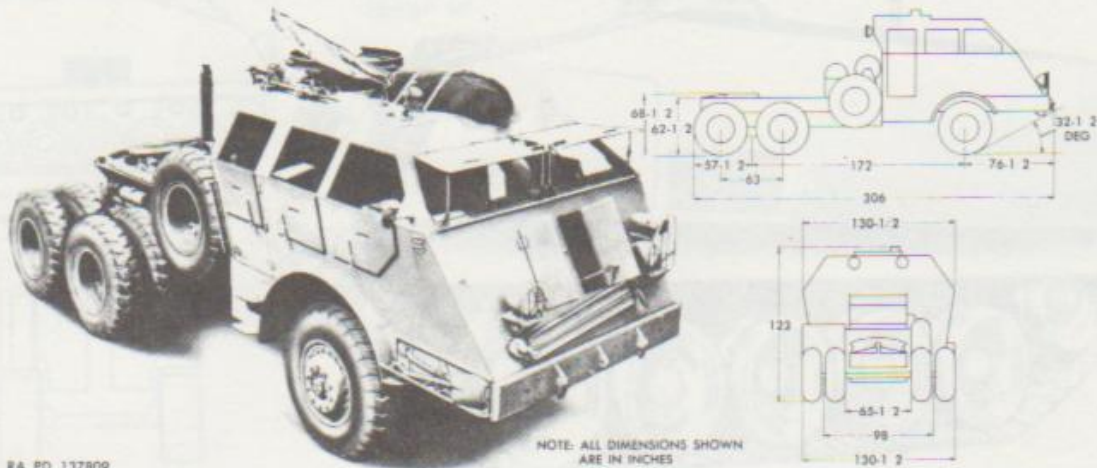
ADDITIONAL DATA

Live axles, type	double-reduction, full-floating
Transmission, type	constant-mesh

TRUCK, TRACTOR, 12-TON, 6 x 6, M26 AND M26A1

(Pacific Car and Foundry Co)

Used w/SEMITRAILER, 45-ton, 8-wheel, transporter, M15 and SEMITRAILER, 45-ton, 8-wheel, transporter, M15A1 as component of TRUCK-TRAILER, 40-ton, tank recovery, M25



RA PD 137809

NOTE: ALL DIMENSIONS SHOWN ARE IN INCHES

Technical Manuals: 9-767, 9-1767A, 9-1767B, 9-1767C; Supply Catalog: SNL G-160.

Classification: Limited Standard.

GENERAL DATA

Crew	7
Weight (lb)	Net 48,895
Payload	On fifth wheel 60,000; Gross 108,895
Live-axle gear ratio	7.69:1
Axle load (lb):	
Empty	front 22,950; rear 25,945
Loaded	front 22,950; rear 85,945
Tires:	
Ply 20	Size 14 x 24; Pressure (psi) 90
Tread, center-to-center, front	(in.) 82
Shipping dimensions, uncrated	(cu ft) 2,957; (sq ft) 278
Vehicle dimensions:	
Ground clearance	(in.) 15
Pintle height, loaded	(in.) 39
Center of fifth wheel to center of jackshaft	(in.) 4
Height to center of fifth wheel	(in.) 68½
Height to rear of fifth wheel	(in.) 62½
Electrical system	(volts) 12
No. of batteries	(6-volt) 2
Type of ground	negative
Fuel octane rating	72
Capacities:	
Fuel	(gal) 120
Cooling system	(qt) 56
Crankcase, refill	(qt) 28
Transmission (qt)	main 8½; auxiliary 10
Transfer	(qt) 2½
Axles (qt)	front 20; rear 14
Steering gear	(qt) 8½
Winch:	
Oil capacity, each	(qt) 4
Load capacity (lb)	front 35,000; rear (2) (ea) 60,000
Chain oilers	(qt) 20
Hydraulic steering	(qt) 10
Brakes:	
Manufacturer	Bendix-Westinghouse; Type: air
Parking brake, type	transfer

Purpose: To tow 40-ton semitrailers M15 and M15A1 in recovery and transportation of damaged tanks, and matériel weighing up to 80,000 lb.

GENERAL DATA—Continued

Transmission:	
Forward speeds	4
Gear ratio	High 1:1; Low 5.55:1
Auxiliary transmission:	
Speeds	3
Transfer:	
Speeds	1
Gear ratio	1.91:1

PERFORMANCE

Computed grade ability in lo west gear, loaded	(percent) 30
Turning radius	(ft) 40
Fording depth	(in.) 56
Fuel consumption, w/towed load	(mpg) 1
Cruising range, w/towed load	(mi) 120
Allowable speed, governed	(mph) 28
Maximum semitrailer, gross	(lb) 117,500

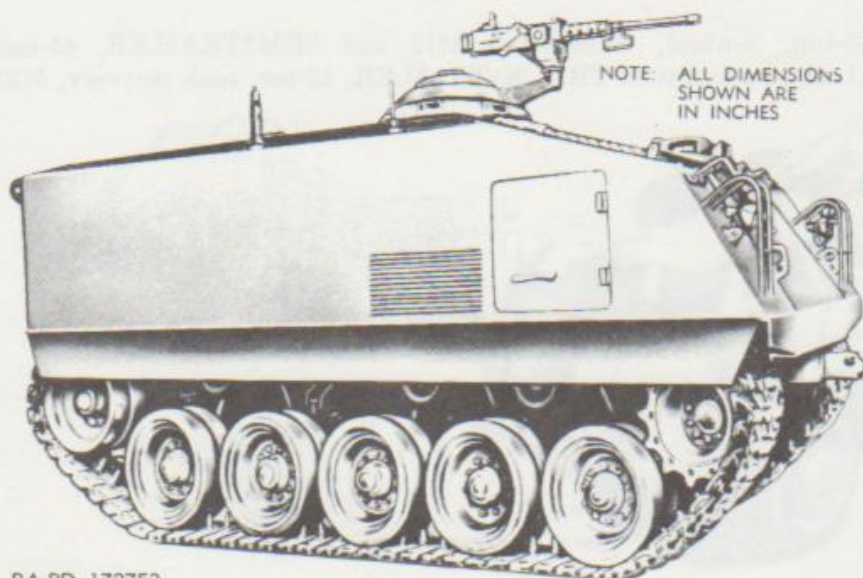
ENGINE

Manufacturer	Hall Scott; Model 440
Type	Valve-in-head, 4-cycle; No. of cylinders (in line) 6
Displacement	(cu in.) 1,090
Bore	(in.) 5¼
Stroke	(in.) 7
Compression ratio	5.7:1
Governed speed	(rpm) 2,100
Brake horsepower (max w/std accessories)	240 at (rpm) 2,000
Torque (max w/std accessories)	810 lb-ft at (rpm) 1,200

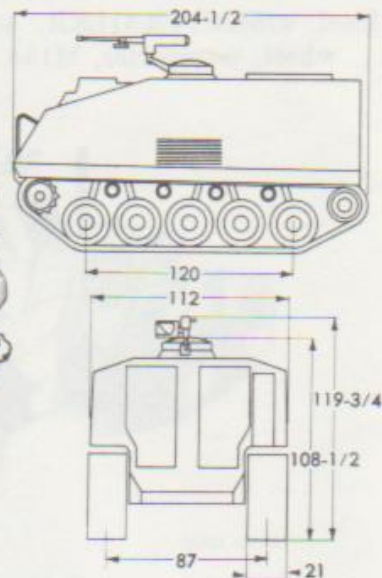
ADDITIONAL DATA

Winch, front	300 ft ¾-in. cable.
Winches, rear (2)	300 ft ¾-in. cable (each).
Live axles, type	double-reduction, full-floating
Transmission, type	constant-mesh

VEHICLE, ARMORED INFANTRY, FULL-TRACK, T18E1



RA PD 172753



Technical Manuals: 9-755B, 9-1730B, 9-1730F, 9-1825C, 9-1825E, 9-1826B, 9-1828A, 9-1829A; Supply Catalog: SNL G-260.

Armament: 1 gun, machine, cal. .50, Browning, M2, heavy barrel (flexible) mounted on revolving ring at top of vehicle.

Ammunition: 1,800 rounds, cal. .50; 10 rockets; 180 rounds, cal. .30 carbine.

Fire Control and Vision Devices: Periscope, M17 (vision).

GENERAL DATA

Crew	1; Passengers (including crew) 12
Weight, fighting	(lb) 42,000
Shipping dimensions, uncrated	(cu ft) 1,438; (sq ft) 159
Ground pressure	(psi) 8.3
Ground clearance	(in.) 17 3/4
Pintle height, loaded	(in.) 29 1/4
Electrical system	(volts) 24
No. of batteries	(12-volt) 2
Type of ground	negative
Fuel octane rating	80
Capacities:	
Fuel	(gal) 150
Crankcase, refill	(qt) 48
Auxiliary-engine crankcase, refill	(qt) 4
Transmission, cross-drive (including cooler)	(qt) 64
Final drive	(each) (qt) 2
Brakes: Hand-lever-controlled, hydraulic, multiple-disk steering brakes. Pedal operates them as service brakes.	
Parking brake, type.....pedal for locking service brakes	
No. of ranges (High, Low, and Reverse)	3
Ratio from engine output to torque-converter input	0.769:1
Torque-converter stall ratio	4:1
Ratio from torque converter output shaft to final-drive flange:	
High range	1.4:1; Low range 5.34:1
Final-drive gear ratio	4:1
Hull construction	welded steel plate

Purpose: To transport, and furnish protection for troops with full equipment.

Communications: Location No. 1: (SCR-508) or (SCR-528) or (SCR-608B) or (AN/VRC-7) or (BC-667); or (SCR-510 or SCR-610 or SCR 619) and (BC-667); or (SCR-510 or SCR-610 or SCR-619) and (AN/VRC-7). Location No. 2: (SCR-506) or (SCR-694C) or (AN/GRC-9) or (AN/ARC-3) or (AN/GRC-5).

PERFORMANCE

Maximum grade ability	(percent) 60
Fording depth:	
W/o kit	(in.) 48
W/kit	(in.) 80
Maximum width of ditch vehicle can cross	(in.) 66
Maximum vertical obstacle vehicle can climb	(in.) 18
Fuel consumption (average conditions)	(mpg) 0.8
Cruising range (average conditions)	(mi) 115
Maximum speed	(mph) 43
Maximum recommended towed load, gross	(lb) 14,000

ENGINE

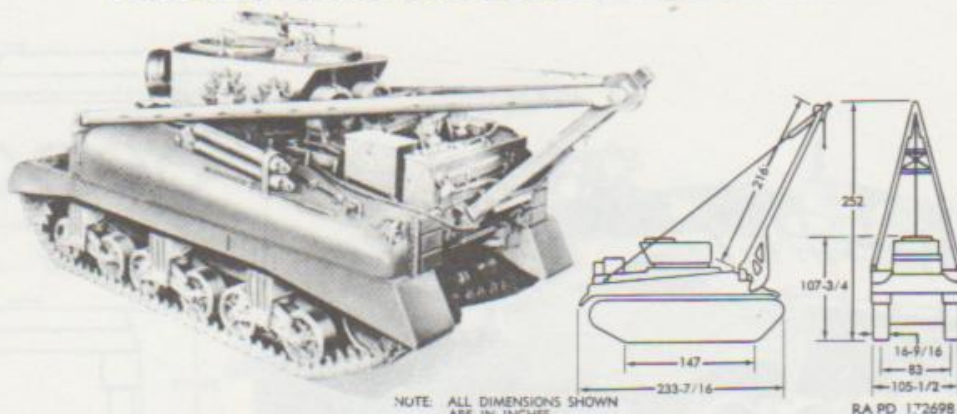
Manufacturer	Continental; Model: A O-895-4
Type	4-cycle, valve-in-head; air cooled
No. of cylinders (horizontal opposed)	6
Displacement	(cu in.) 896
Bore	(in.) 5 3/4
Stroke	(in.) 5 3/4
Compression ratio	6.5:1
Governed speed	(rpm) 2,800
Brake horsepower (max w/std accessories)	295 at (rpm) 2,660
Torque (max w/std accessories)	672 lb-ft at (rpm) 1,850
Type of ignition	magneto

ADDITIONAL DATA

Data given for vehicle equipped w/track, rubber-backed-steel, T-91E3 w/detachable rubber grousers.

Auxiliary generator set: Engine, GMC Model A41-1; Generator, Delco Model GM-A-8585.

VEHICLE, TANK RECOVERY, M32 SERIES



Technical Manuals: 9-738, 9-1725, 9-1731D, 9-1750A, 9-1750B, 9-1750C, 9-1750D, 9-1750K, 9-1825B, 9-1826B, 9-1828A, 9-1829A; Supply Catalogs: 8NL G-185 and G-187.

Vehicle illustrated: M32A1.

Classification: See additional data.

Purpose: To recover disabled tanks and mechanized equipment.

Armament: 1 gun, machine, cal. .50, M2, heavy barrel (flexible) ring mounted in turret; 1 gun, machine, cal. .30, M1919A4 (flexible) ball mounted at right front of hull.

Ammunition: 2,000 rounds, cal. .30, machine gun; 600 rounds, cal. .45, sub-machine-gun; 315 rounds, cal. .50; 20 hand grenades; 6 smoke pots.

Fire-Control and Vision Devices: Periscope, M13, M13B1, or M6 (vision).

Communications: (SCR-619 or SCR-610) and (RC-99); or (RC-99) and (AN/VRC-3); or (SCR-528); or (AN/GRC-3, -4, -5, -6, -7, or -8); or (AN/VRC-13, -14, or -15).

GENERAL DATA

Crew	5
Weight, fighting (all models)	(lb) 61,706
Shipping dimensions, uncrated:	
M32 and M32A1	(cu ft) 1,880; (sq ft) 195
M32A1B1, M32A1B3, M32B1, and M32B3	(cu ft) 2,090; (sq ft) 218
Ground pressure	(psi) 8.9
Ground clearance	(in.) 18
Pintle height, loaded	(in.) 28
Boom:	
Height above ground in traveling position	(in.) 115½
Height above ground in lifting position	(in.) 252
Length of boom	(in.) 216
Electrical system	(volts) 24
No. of batteries	(12-volt) 2
Type of ground	negative
Fuel octane rating	80
Capacities:	
Fuel	(gal) 172
Oil tank	(qt) 36
Winch transmission	(qt) 2
Winch oil capacity	(qt) 3
Winch load capacity	(lb) 60,000
Winch and boom lifting capacity	(lb) 30,000
Winch and boom lifting and moving capacity	(lb) 20,000
Winch and boom lifting and moving capacity w/o stabilizer plates	(lb) 10,000
Transmission, differential and final drives:	
Three-piece, round-nose	(qt) 152
One-piece, sharp-nose	(qt) 164
Brakes	mechanical, controlled-differential
Parking brake, type	pedal for locking steering brakes
Transmission for forward speeds	5
Gear ratio	High 0.73:1; Fourth 1:1; Low 7.56:1
Differential-drive gear ratio	3.53:1
Final-drive gear ratio	2.84:1
Hull construction	welded homogeneous armor plate
Turret	cast homogeneous armor

PERFORMANCE

Maximum grade ability	(percent) 60
Turning radius	(ft) 31
Fording depth	(in.) 42
Maximum width of ditch vehicle can cross	(in.) 90
Maximum vertical obstacle vehicle can climb	(in.) 24
Fuel consumption (average conditions)	(mpg) 0.6
Cruising range (average conditions)	(mi) 100
Allowable speed, governed	(mph) 26
Maximum allowable towed load, gross	(lb) 20,000

ENGINE

Manufacturer	Continental; Model R975-C1
Type	4-cycle, radial, air-cooled; No. of cylinders 9
Displacement	(cu in.) 973
Bore	(in.) 5
Stroke	(in.) 5½
Compression ratio	5.7:1
Governed speed	(rpm) 2,400
Brake horsepower (max w/std accessories)	350 at (rpm) 2,400
Torque (max w/std accessories)	840 lb-ft at (rpm) 1,800
Type of ignition	magneto

ADDITIONAL DATA

Tank recovery vehicle, M32 is manufactured from the medium tank M4 chassis. Classification: Limited Standard.

Tank recovery vehicle, M32A1 is manufactured from the medium tank M4 chassis. Classification: Standard.

Tank recovery vehicle, M32A1B1 is manufactured from the medium tank M4A1 chassis. Classification: Standard.

Tank recovery vehicle, M32A1B3 is manufactured from the medium tank M4A3 chassis. Classification: Standard.

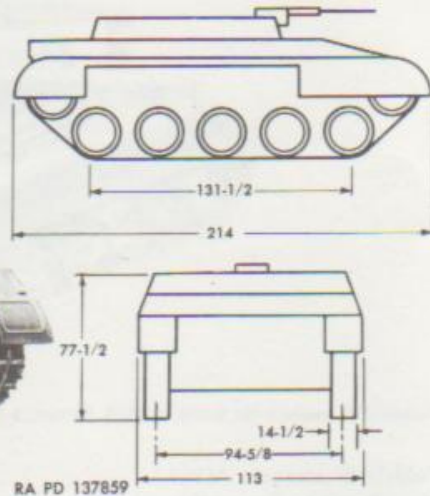
Tank recovery vehicle, M32B1 is manufactured from the medium tank M4A1 chassis. Classification: Limited Standard.

Tank recovery vehicle, M32B3 is manufactured from the medium tank M4A3 chassis. Classification: Limited Standard.

The M32 and M32B series are earlier models, and have tracks 16¾ in. wide. Applicable tracks are T48, T49, T54E1, and T74. The M32A1 series are later models, and have a track 23 in. wide. Applicable tracks are T66, T80, and T84. All the recovery vehicles have fixed turrets.

VEHICLE, ARMORED, UTILITY, M39

NOTE: ALL DIMENSIONS SHOWN
ARE IN INCHES



Technical Manuals: 9-755, 9-1725, 9-1731K, 9-1750D, 9-1755A, 9-1755B, 9-1826B, 9-1828A, 9-1829A; Supply Catalog: SNL G-163.

Classification: Standard.

GENERAL DATA

Crew	10
Weight, fighting(lb)	35,500
Shipping dimensions, uncrated(cu ft)	1,127; (sq ft) 168
Ground clearance(in.)	14 3/4
Pintle height, loaded(in.)	25 3/4
Ground pressure(psi)	9.6
Electrical system(volts)	24
No. of batteries(12-volt)	2
Type of ground	negative
Fuel octane rating	80
Capacities:		
Fuel(gal)	165
Auxiliary-generator fuel tank(gal)	5
Transmission (and cooler)(qt)	48
Differential and transfer (including cooler)(qt)	20
Final drive(each) (qt)	5
Engine oil tank(qt)	44
Brakesmechanical, controlled-differential	
Parking brake, typelever locks on steering brakes	
Transmission forward speeds	3
Gear ratioHigh 1:1; Low 2.286:1	
Transfer speeds	1
Gear ratio	1:1
Differential-drive gear ratio	3.133:1
Final-drive gear ratio	2.176:1
Hull constructionwelded homogeneous armor plate	

PERFORMANCE

Maximum grade ability(percent)	60
Turning radius(ft)	33
Fording depth(in.)	48
Maximum width of ditch vehicle can cross(in.)	74
Maximum vertical obstacle vehicle can climb(in.)	36
Fuel consumption (average conditions)(mpg)	0.9
Cruising range (average conditions)(mi)	155
Allowable speed, governed(mph)	60
Maximum allowable towed load, gross(lb)	10,000

ADDITIONAL DATA

Data given for vehicle w/track, steel, T69. Track, rubber, T85E1 applicable w/changed sprocket and hub assembly.
Auxiliary generator: Homelite model HRUH-28.

Purpose: To transport cargo and personnel in combat zone and use as a prime mover for artillery.

Armament: 1 gun, machine, cal. .50, Browning, heavy barrel, M2 (flexible) mounted on revolving ring in machine-gun turret.

Ammunition: 945 rounds, cal. .50; 1,620 rounds, cal. .30, carbine; 12 hand grenades; 4 smoke pots; 10 signals, aircraft, pyrotechnic.

Communications: (SCR-506) and (SCR-608B); or (SCR-619 or SCR-610) and (RC-99); or (SCR-506 or AN/GRC-9 or SCR-694C or AN/VRC-3) and (SCR-508 or SCR-510 or SCR-528); or (SCR-506) and (SCR-510 or SCR-619) and (RC-99); or (SCR-506 or SCR-510 or SCR-619) and (RC-99); or (SCR-506) and (SCR-508) and (SCR-593 or SCR-499); or (SCR-508) and (SCR-593) and (AN/GRC-9 or SCR-694C); or (SCR-506 or SCR-508) and (VRC-3); or (SCR-508) and (SCR-510 or SCR-619 or SCR-610); or (SCR-499 or SCR-628 or AN/ARC-3); or (AN/GRC-3, -4, -5, -6, -7, or -8); or (AN/GRC-3, -4, -5, -6, -7, or -8) and (SCR-506 or AN/GRC-9 or SCR-694C); or (AN/VRQ-1, -2, or -3) and (AN/V1C-1); or (AN/VRQ-1, -2, or -3) and (SCR-506) and (AN/V1C-1, or AN/VRC-13, -14, or -15) and (SCR-593 or AN/GRR-5); or (AN/GRC-3, -4, -5, -6, -7, or -8) and (SCR-506) and (AN/ARC-3).

ENGINE

ManufacturerContinentalModel R975C4
Type	4-cycle, radial, air-cooled; No. of cylinders 9
Displacement(cu in.)	973
Bore(in.)	5
Stroke(in.)	5 1/4
Governed speed(rpm)	2,400
Brake horsepower (max w/std accessories)	400 at (rpm) 2,400
Torque (max w/std accessories)	940 lb-ft at (rpm) 1,700
Type of ignition	magneto

APPENDIX REFERENCES

1. Publication Indexes

The following publication indexes and lists of current issue should be consulted frequently for latest changes or revisions of references given in this appendix and for new publications relating to matériel covered in this manual:

Index of Administrative Publications.....	SR 310-20-5
Index of Army Motion Pictures, Kinescope Recordings, and Film Strips....	SR 110-1-1
Index of Technical Manuals, Technical Regulations, Technical Bulletins, Supply Bulletins, Lubrication Orders, and Modification Work Orders.	SR 310-20-4
Index to Tables of Organization and Equipment, Reduction Tables, Tables of Organization, Tables of Equipment, and Tables of Allowances.	SR 310-20-7
Introduction and Index (supply catalogs).....	ORD 1
Ordnance Major Items and Combinations and Pertinent Publications.....	SB 9-1

2. Supply Catalogs

The following catalog of the Department of the Army Supply Catalog pertains to this matériel:

Major Items and Major Combinations of Group G.....	ORD 3 SNL G-1
--	---------------

3. Other Publications

The following explanatory publications contain information pertinent to this matériel and associated equipment:

a. General.

Commercial, Nonstandard, and Limited Volume Transport Vehicles.....	SB 9-60
Dictionary of United States Army Terms.....	SR 320-5-1
General Supply: Winterization Equipment for Automotive Matériel.....	SB 9-16
Preparation of Ordnance Matériel for Deep Water Fording.....	TM 9-2853
Supplies and Equipment: Motor Vehicles.....	AR 700-105
Supplies and Equipment: Motor Vehicles Exceeding Weight and Dimension Limitations.	SR 700-105-10
Supplies and Equipment: Responsibilities for Automotive Equipment.....	SR 700-110-1

b. Preventive Maintenance.

Preventive Maintenance for Administrative Vehicles.....	TM 38-660
Motor Vehicle Inspections and Preventive Maintenance Services.....	TM 37-2810

INDEX

Ambulances

	Page
Ambulance, metropolitan, ¼-ton, 4-litter (Cadillac-Miller, Model 50-86 and Cadillac-Superior, Model 51-86, 1951).....	4
Ambulance, metropolitan, ¼-ton, 4-litter (Cadillac-Superior, Models 62, 1942; V-8, 1938; and 4986, 1949).....	5
Ambulance, metropolitan, ¼-ton, 4-litter (Packard-Henney, Models 4294 HDA, 1942 and 2213-9, 1949).....	6
Ambulance, metropolitan, 1½-ton, 12-litter, M423 (Linn Coach and Truck Division).....	7
Bus, ambulance, 18-litter, 4 x 2 (ACF-Brill).....	22
Truck, ambulance, ¼-ton, 4 x 4, M43.....	169
Truck, ambulance, ¼-ton, 4 x 4 (Dodge, Model WC54, T214).....	170
Truck, ambulance, ¼-ton, 4 x 4 (KD) (Dodge, Model WC64, T214).....	171

Amphibious Vehicles

Carrier, cargo, amphibian, M29C.....	51
Carrier, cargo, amphibious, T46E1.....	52
Landing Vehicle, tracked, MK4, LVT (4).....	69
Landing Vehicle, tracked, (armored), MK4, LVT (A) (4) and MK5, LVT (A) (5).....	70
Trailer, cargo, ¼-ton, 2-wheel (American Bantam, Model T3, 1942-43; Willys, Model MBT, Amphibian; Convento; Fruehauf; Gemco; Pacific Car; Springfield; A. Black; Checker Cab; Strick; Transportation Equipment; Utility).....	130
Trailer, cargo, ¼-ton, 2-wheel, M100.....	131
Truck, amphibian, 2½-ton, 6 x 6 (GMC, Model DUKW353).....	224

Armored Cars

Car, armored, light, M8.....	33
Car, armored, utility, M20.....	34

Automobiles

Automobile, limousine, heavy, 7-passenger, 4 x 2 (Chrysler, Crown Imperial).....	8
Automobile, sedan, light, 5-passenger (Chevrolet, Models KB, 1940; 1503-AG, 1941; 1503-BG, 1942; 1553-GJ, 1949; and 1503-GJ, 1949).....	9
Automobile, sedan, light, 5-passenger (Ford, Models 01A, 8-cyl, 112-in WB, 1940; 1GA73A, B, and C, 6-cyl, 114-in WB, 1941; 11A73A, B, and C (11AS73C), 8-cyl, 114-in WB, 1941; 2GA73A, B, and C, 6-cyl, 114-in WB, 1942; 21A73A, B, and C, 8-cyl, 114-in WB, 1942; 79A, 1947; and 98HA, 1949).....	10
Automobile, sedan, light, 5-passenger (Ford, Model 1HA, 1951).....	11
Automobile, sedan, light, 5-passenger (Plymouth, Models P9, 1940; P11, 1941; P14, 1942; P15S, 1947-48; and P18, 1949).....	12
Automobile, sedan, medium, 5-passenger (Buick, Model 41, 1948 and Model 41, 1950).....	13
Automobile, sedan, medium, 5-passenger (Packard, Models 1803, 1940; 1903, 1941; 2003, 1942).....	14
Automobile, sedan, medium, 5-passenger (Pontiac, Chieftain, 6-cyl, 1949 and 8-cyl, 1949).....	15
Automobile, sedan, heavy, 5-passenger (Cadillac, Model 75, 1948).....	16

Bicycles

	Page
Bicycle, military, men's M305 and Bicycle, military, men's (Westfield, Columbia, Series MF and MG, 1942-43).....	17
Bicycle, military, women's, M306 and Bicycle, military, women's (Westfield, Columbia, Series MF and MG, 1942-43).....	18

Bulldozers (Tank-Mounting)

Bulldozer, tank-mounting, M1 and M1A1.....	19
Bulldozer, tank-mounting, M2.....	20
Bulldozer, tank-mounting, M3.....	21

Busses (See also Ambulances)

Bus, body on chassis, 29-passenger, 4 x 2 (Ford, Model F-5).....	23
Bus, body on chassis, 37-passenger, 4 x 2 (General Motors Corp, Model HCS-457).....	24
Bus, 29-passenger, 4 x 2 (International Harvester, Model L-163).....	25
Bus, 37-passenger, 4 x 2 (Southern Coach, Model S-36-M).....	26
Bus, 37-passenger, 2½-ton, 4 x 2 (International Harvester, Models K7 and KS7 w/two-speed axle).....	27
Bus, integral, 37-passenger, 4 x 2 (ACF-Brill, Model C-37).....	28
Bus, integral, 37-passenger, 4 x 2 (ACF-Brill, Model 37RC).....	29
Bus, integral, 37-passenger, 4 x 2 (Twin Coach, Utility Convertible, Model F32F).....	30
Bus, integral, 2½-ton, 4 x 2 (GMC Model PGA 3301).....	31
Bus, 37-passenger, 5- to 6-ton, 4 x 2 (Mack, Model EH).....	32

Carriers (Full-Track) (See also Amphibious Vehicles)

Carrier, Universal, T-16 (Universal Bren Carrier).....	58
Carrier, cargo, M29.....	50

Cranes and Crane Chassis

Crane, truck mounted, M2 (Thew Shovel, Model MC 6 x 6).....	59
Truck, crane chassis, 6-ton, 6 x 6 (Corbitt, Model C666).....	272

Dollies

Dolly, trailer converter, light duty, 3-ton, 2-wheel, M363 (Fruehauf, Model DC3).....	60
Dolly, trailer converter, 6-ton, 2-wheel, M364 (Heil, Model D2).....	61
Dolly, trailer converter, 8-ton, 2-wheel (Fruehauf; Signal Corps Models K83 and K83A).....	62
Dolly, trailer converter, 10-ton, 2-wheel, M365 (Springfield Auto Works, Production Engineering).....	63

Gun and Howitzer Motor Carriages (Full-Track) (See also Self-Propelled Guns and Howitzers)

Carriage, motor, twin 40-mm gun, M19A1.....	38
Carriage, motor, 76-mm gun, M18.....	39
Carriage, motor, 90-mm gun, M36.....	40
Carriage, motor, 90-mm gun, M36B1.....	41
Carriage, motor, 90-mm gun, M36B2.....	42
Carriage, motor, 105-mm howitzer, M7.....	43
Carriage, motor, 105-mm howitzer, M7B1.....	44

Gun and Howitzer Motor Carriages—Continued

	Page
Carriage, motor, 105-mm howitzer, M37.....	45
Carriage, motor, 105-mm rifle, T106.....	46
Carriage, motor, 155-mm gun, M40.....	47
Carriage, motor, 155-mm howitzer, M41.....	48
Carriage, motor, 8-inch howitzer, M43.....	49

Half-Track Vehicles

Car, half-track, M2A1.....	35
Carriage, motor, combination gun, M15A1.....	37
Carriage, motor, multiple gun, M16.....	36
Carrier, personnel, half-track, M3.....	53
Carrier, personnel, half-track, M3A1.....	54
Carrier, 81-mm mortar, half-track, M4.....	55
Carrier, 81-mm mortar, half-track, M4A1.....	56
Carrier, 81-mm mortar, half-track, M21.....	57

Hearses

Hearse, ¼-ton, 4 x 2 (Watson Automotive; Cadillac Model 4876 w/Superior body, 1948)....	66
Hearse, ¼-ton, 4 x 2 (Watson Automotive; Chrysler Model C38 w/Superior body, 1948-49)....	67

Landing Vehicles (See Amphibious Vehicles)

Motorcycles

Motorcycle, solo, chain drive (Harley-Davidson, Models, 40 WLA, 41 WLA, 42 WLA).....	71
Motorcycle, solo, chain drive (Harley-Davidson, Model WL 45).....	72
Motorcycle, solo, chain drive (Harley-Davidson, Model 50 WLA).....	73
Motorcycle, solo, extra light (Indian, Model 149M, T3).....	74
Motorcycle, solo, extra light, M1 (Indian, Model 148).....	75
Motorcycle, solo, 3-wheel (Harley-Davidson, Model G, 1950).....	76

Recovery Vehicles (See Vehicles)

Scoters

Scoter, motor, airborne, 2-wheel (Cushman, Model 53).....	77
Scoter, motor, 3-wheel, w/side car (Cushman, Model 32).....	78
Scoter, motor, package delivery, 3-wheel (Cushman Package Kar, Model 39).....	79

Self-Propelled Guns and Howitzers (See also Gun and Howitzer Motor Carriages (Full-Track))

Gun, twin 40-mm, self-propelled, T-141.....	64
Gun, 155-mm, self-propelled, T-97.....	65
Howitzer, 155-mm- self-propelled, T99E1.....	68

Semitrailers

	Page
Semitrailer, 32-passenger bus chassis, 3-ton, 2-wheel (Fruehauf, Model 220DDF-SP).....	80
Semitrailer, van, 3-ton, 2-wheel (Black Diamond, Model T118, 1942-43; Carolina, Model M2A, 1943-44; Checker, Model CC3; Highway, Models SKD 1742A, 1941, SKD 2043, SKD 2269, steel SKD 2316, wood, SKD 2353 WKD; Kingham, Model H30S, 1942-43; Steel Products, Model ASV, 1943; Strick, Models 300, 300-18, 1942-43; Truck Engineering, Model 2SF, 1943).....	81
Semitrailer, stake and platform, 3½-ton, 2-wheel (Black Diamond, Models T118 and T118A; Checker, Model CC4; Dorsey, Model D8; Highway Model SKD 2267; Hobbs, Models 5DF and DF18, 1942; Kingham, Model H30S, 1942-43; Strick, Models 300 and 300-18, 1942-43; Utility, Model G-SW2).....	82
Semitrailer, stake and platform, 5-ton, 2-wheel (Olson, Trailmobile, Truck Engineering, Model 516).....	83
Semitrailer, animal and cargo, 6-ton, 2-wheel (Highway, Model SKD 1815).....	84
Semitrailer, animal and cargo, 6-ton, 2-wheel (Trailer Co. of America, Model TD 32G, 1940-41).....	85
Semitrailer, gasoline tank, 6-ton, 2-wheel, 2,000-gal., M30 (Davis Welding, Heil, Lufkin, Keystone, Krieger Steel, Independent, Progress, Model ST62M).....	86
Semitrailer, stake and platform, 6-ton, 2-wheel (Fruehauf, Models WLS220S, 1941; WLS222, 1942; WLS223, 1942; WLS224, 1942-43; WLS224S, 1942; WLS225, 1942; WLS226, 1943; WLS226S, 1943; WLS227, 1943; WLS228S, 1943; WLS229, 1943; WLS230S, 1943 and Springfield, Model 939, 1943).....	87
Semitrailer, van, 6-ton, 2-wheel (American Body, Model DF233V; Carter, Model C15935A; Dorsey, Model E14; Kentucky, Model 1-ORD; Olson, Model KV10; Strick, Model 400W; Tipte, Model T8D; Utility, Model GSW4 (KD), 1943).....	88
Semitrailer, van, 6-ton, 2-wheel (Gerstenslager, Model W8125, 1942).....	89
Semitrailer, van, 6-ton, 2-wheel (Gramm, Model DF-75).....	90
Semitrailer, van, 6-ton, 2-wheel (Gramm, Checker, American Bantam, Carolina, Model STV620).....	91
Semitrailer, van, 6-ton, 2 wheel (Highway, Model SKD 2181).....	92
Semitrailer, van, 6-ton, 2-wheel (Highway, Model SKD 2215).....	93
Semitrailer, van, 6-ton, 2-wheel (Highway, Model SKD 2270).....	94
Semitrailer, van, 6-ton, 2-wheel (Olson Model LV10).....	95
Semitrailer, van, 6-ton, 2-wheel (Trailmobile, Model B34H, 1941-42).....	96
Semitrailer, van, 6-ton, 2-wheel (Utility, Model G-SW4).....	97
Semitrailer, van, 7-ton, 4-wheel, M-26 (Fruehauf, w/DOLLY, 7-ton, 2-wheel, trailer converter Model C2); (Signal Corps Model V9/MPC-1).....	98
Semitrailer, stake and platform, 10-ton, 2-wheel (A. J. Miller, American Body, Carter, Coleman, Dorsey, Fruehauf, Highway, Keystone Kreiger Steel, Omaha Std Body, Oneida, Pike, Queen City Trailer, Springfield Trailer, Strick, Tipte, Trailer Co. of America, Utility, Winter-Weiss, Models 1025 and SKD 2361).....	99
Semitrailer, van, 11-ton, 2-wheel (Black Diamond, Model SC728 (28 ft) 1944; Fruehauf, Model FF22BL (28 ft); Kentucky Model C; Omaha Standard Body, Model F16 (28 ft) 1944; Reliance, Model STV1128, Trailer Co of America, Model B34H15 (28 ft) 1944).....	100
Semitrailer, transporter, 40-ton, 8-wheel, M15.....	101
Semitrailer, transporter, 45-ton, 8-wheel, M15A1.....	102

Sleds

	<i>Page</i>
Sled, cargo, 1-ton, M1.....	103
Sled, cargo, 1-ton, M1A1.....	104
Sled, cargo, 1-ton, M14.....	105
Sled, cargo, 1-ton, M14A1.....	106

Station Wagons

Station Wagon, 7-passenger, 4 x 2 (Willys, Models 4-63, 1948-49; 4-73-SW, 1950).....	107
Station Wagon, 8-passenger, 4 x 2 (Chevrolet, Model 2109, 1949).....	108
Station Wagon, 8-passenger, 4 x 2 (Chevrolet, Model 2119).....	109
Station Wagon, 8-passenger, 4 x 2 (Plymouth, Model P15S, 1948).....	110
Truck, station wagon, ¼-ton, 4 x 4 (Willys, Models 4 x 463 and 4 x 473).....	152

Tanks

Tank, light, M24.....	111
Tank, medium, M4A1, 75-mm gun.....	112
Tank, medium, M4A3, 75-mm gun.....	113
Tank, 76-mm gun, T41E1.....	114
Tank, medium, M4A1, 76-mm gun.....	115
Tank, medium, M4A3, 76-mm gun.....	116
Tank, medium, M26 and M26A1.....	117
Tank, medium, M46 and M46A1.....	118
Tank, 90-mm gun, M47.....	119
Tank, medium, M4, 105-mm howitzer.....	120
Tank, medium, M4A3, 105-mm howitzer.....	121
Tank, medium, M45.....	122

Tank Transporters

Truck-Trailer, 40-ton, tank recovery, M25.....	101, 102, 281
Truck-Trailer, 45-ton, tank transporter, M19.....	150, 280

Tractors (See also Amphibious Vehicles and Carriers (Full-Track))

Tractor, cargo, M8E2.....	123
Tractor, high-speed, 13-ton, M5.....	124
Tractor, high-speed, 13-ton, M5A1.....	125
Tractor, high-speed, 13-ton, M5A2.....	126
Tractor, high-speed, 13-ton, M5A3.....	127
Tractor, high-speed, 18-ton, M4, M4A1, M4C, and M4A1C.....	128
Tractor, high-speed, 38-ton, M6.....	129

Tractor Trucks

Truck, tractor, 1½-ton, 4 x 2 (Ford, Models 2G8TA, 2GT, 1942; 2GT, 6-cyl, 1942; 2GT86, 6-cyl, 1942; 2G8T, 6-cyl, 1942, 2GT, 1943).....	199
Truck, tractor, 1½-ton, 4 x 4 (Chevrolet, Model NK, G7113, 1942).....	208
Truck, tractor, 2½-ton, 4 x 2 (Federal, Model 25M2).....	211
Truck, tractor, 2½-ton, 4 x 2 (GMC, Model HC-452, 1950).....	220
Truck, tractor, 2½-ton, 4 x 2 (International Harvester, Model KR8R, 1942).....	221

Tractor Trucks—Continued

	Page
Truck, tractor, 2½-ton, 6 x 6, M48, w and w/o winch	241
Truck, tractor, 4- to 5-ton, 4 x 4 (Autocar, Model U7144T, COE)	251
Truck, tractor, 4- to 5-ton, 4 x 4 (Federal, Model 94X43A, 94X43B, 94X43C)	252
Truck, tractor, 4- to 5-ton, 4 x 4 (White, Model 444T, COE)	253
Truck, tractor, 5-ton, 4 x 2 (Diamond T, Model 720)	259
Truck, tractor, 5-ton, 4 x 2 (Federal, Model 45M2)	260
Truck, tractor, 5-ton, 4 x 2 (International Harvester, Model KR11, 1943)	261
Truck, tractor, 5-ton, 4 x 2 (International Harvester, Model L-201)	262
Truck, tractor, 5-ton, 4 x 2 (White, Model WC 22 PLT)	263
Truck, tractor, 5-ton, 4 x 2, M425 (International Harvester, Model H542-9, COE)	264
Truck, tractor, 5-ton, 4 x 2, M426 (International Harvester, Marmon Herrington, Kenworth, Model H542-11, COE)	265
Truck, tractor, 5-ton, 6 x 6, M52, w and w/o winch	269
Truck ponton, tractor, 5- to 6-ton, 4 x 4 (Autocar, Model U8144T, COE)	270
Truck, tractor, 6-ton, 6 x 6 (White, Model 666, 1942-43-44)	278
Truck, tractor, 12-ton, 6 x 6, M26 and M26A1 (Pacific Car and Foundry Co)	281

Trailers (See also Amphibious Vehicles)

Trailer, cargo, ¾-ton, 2-wheel, M101	132
Trailer, cargo, 1-ton, 2-wheel (American Bantam, T6; Ben Hur 41-33, 41-120; etc)	133
Trailer, tire repair, load A, 1-ton, 2-wheel, M25	L134
Trailer, tire repair, load B, 1-ton, 2-wheel, M25	135
Trailer, water tank, 1-ton, 2-wheel, 250-gal (Ben Hur, Model KWT; Checker, Models CC1, CC1A, CC1B, CC1C; Springfield Wagon and Trailer, Model SWT (T1-250); City Tank; Davis Welding; Fayette, Model 25; Lavine, Model KWT)	136
Trailer, cargo, 1½-ton, 2-wheel, M104	137
Trailer, water tank, 1½-ton, 2-wheel, M106	138
Trailer, director, 2-ton, 4-wheel, M13 (Brill)	139
Trailer, director, 2-ton, 4-wheel, M14 and M22 (Brill, Fruehauf)	140
Trailer, generator, 2-ton, 4-wheel, M7 (Brill, Fruehauf, Kreiger)	141
Trailer, generator, 2-ton, 4-wheel, M18 (Fruehauf, Kreiger)	142
Trailer, bomb, 2½-ton, 3-wheel, M5 (American Seating, Oneida, Saginaw, Electric Wheel)	143
Trailer, clamshell, 3-ton, 2-wheel, M16 (Gramm)	144
Trailer, ammunition, 4-ton, 2-wheel, M21 (Oneida, Trailmobile)	145
Trailer, cargo, 6-ton, tracked (Athey, Model BT898-1)	146
Trailer, cargo, 6-ton, tracked (Athey, Model BT898-4)	147
Trailer, ammunition, 8-ton, 4-wheel, M23 (Utility)	148
Trailer, cargo, 20-ton, tracked (Athey, Model ET1076-1)	149
Trailer, transporter, 45-ton, 12-wheel, M9 (Pointer-Willamette, Model D45LF1; Checker Cab, Model D45LF1; Rogers Brothers, Model D45LF1; Winter-Weiss, Model D45LF1; Fruehauf Model CPT45SP)	150

Trucks (See also Ambulances, Amphibious Vehicles, Station Wagons, and Tractor Trucks)

	Page
Truck, command reconnaissance, ¼-ton, 4 x 4 (Ford, Model GPW; Willys, Model MB).....	151
Truck, utility, ¼-ton, 4 x 4, w/winch (Willys, Model CJ-3A).....	153
Truck, utility, ¼-ton, 4 x 4, M38 (Willys).....	154
Truck, utility, ¼-ton, 4 x 4 and Truck, cargo, ¼-ton, 4 x 4 (Willys, Model CJ-3A).....	155
Truck, carryall, ½-ton, 4 x 2 (Chevrolet, Model 3116, HP and JP, Suburban, 1950-51).....	156
Truck, carryall, ½-ton, 4 x 2 (Dodge, Models WC-36, T112; WC-48, T112).....	157
Truck, panel, ½-ton, 4 x 2 (Chevrolet, Model 3105).....	158
Truck, panel, ½-ton, 4 x 2 (Dodge, Model B1B108).....	159
Truck, pickup, ½-ton, 4 x 2 (Chevrolet, Model 3104).....	160
Truck, pickup, ½-ton, 4 x 2 (Chevrolet, Models KC, 1940; AK 3104, 1941; BK, 3104, 1942).....	161
Truck, pickup, ½-ton, 4 x 2 (Dodge, Model B1B108).....	162
Truck, pickup, ½-ton, 4 x 2 (Dodge, Model WC, 1947).....	163
Truck, pickup, ½-ton, 4 x 2 (Ford, Model F-1).....	164
Truck, pickup, ½-ton, 4 x 2 (Ford, Models 2GC, 6-cyl, 1942; 21C, 8-cyl, 1942).....	165
Truck, pickup, ¾-ton, 4 x 2 (Chevrolet, Model 3604).....	166
Truck, pickup, ¾-ton, 4 x 2 (Dodge, Model B1C116).....	167
Truck, pickup, ¾-ton, 4 x 2 (Dodge, Model WD-15, 1947).....	168
Truck, cargo, ¾-ton, 4 x 4, M37 w and w/o winch (Dodge).....	172
Truck, carryall, ¾-ton, 4 x 4 (Dodge, Model WC53, T-214).....	173
Truck, command, ¾-ton, 4 x 4, M42.....	174
Truck, command reconnaissance, ¾-ton, 4 x 4 (Dodge, Model WC56, T214).....	175
Truck, command reconnaissance, ¾-ton, 4 x 4 w/winch (Dodge, Model WC57, T214).....	176
Truck, command reconnaissance, ¾-ton, 4 x 4 w/radio (Dodge, Model WC58, T214).....	177
Truck, weapons carrier, ¾-ton, 4 x 4, 6-volt and 12-volt (Dodge, Model WC51, T214).....	178
Truck, weapons carrier, ¾-ton, 4 x 4, 6-volt and 12-volt w/winch (Dodge, Model WC52, T214).....	179
Truck, panel, 1-ton, 4 x 2 (Chevrolet, Model 3805).....	180
Truck, carryall, 1-ton, 4 x 4 (Dodge, Model B1PW26 w/Gerstenslager body).....	181
Truck, pickup, 1-ton, 4 x 4 (Dodge, Model B2PW126, 1950).....	182
Truck, pickup, 1-ton, 4 x 4 (Willys, Model 4-73-4WD, 1950).....	183
Truck, van, 1-ton, 4 x 4 (Willys, Model 4WD).....	184
Truck, cargo, 1½-ton, 4 x 2 (Ford, Model 2G8T, 6-cyl, 1942).....	185
Truck, cargo, 1½-ton, 4 x 2 (Ford, Model G8T, 6-cyl, 1943).....	186
Truck, chassis, 1½-ton, 4 x 2 (Ford, Model G8T, 6-cyl, 1943, 1945).....	187
Truck, dump, 1½-ton, 4 x 2 (Chevrolet, Model 4103).....	188
Truck, dump, 1½-ton, 4 x 2 (Dodge, Model WF-31, 1947).....	189
Truck, dump, 1½-ton, 4 x 2 (Dodge, Model B1F128, 1948).....	190
Truck, dump, 1½-ton, 4 x 2 (Dodge, Model B1FA128, w/Garwood Model G12 body, 1948).....	191
Truck, dump, 1½-ton, 4 x 2 (International Harvester, Model KR 5, 1949).....	192
Truck, stake and platform, 1½-ton, 4 x 2 (Chevrolet, Model 4409).....	193
Truck, stake and platform, 1½-ton, 4 x 2 (Ford, Model F-5).....	194
Truck, stake and platform, 1½-ton, 4 x 2 (Ford, Model G8T).....	195
Truck, stake and platform, 1½-ton, 4 x 2 (Ford, Models 2G8T and 2GT86, 6-cyl, 1942).....	197
Truck, stake and platform, 1½-ton, 4 x 2 (International Harvester, Model L-152).....	198
Truck, bomb service, 1½-ton, 4 x 4, M6 (Chevrolet, Model NQ, G7128).....	200
Truck, cargo, 1½-ton, 4 x 4 (Chevrolet, Models YP, G4112, 1941; NJ, G7107, 1942).....	201
Truck, cargo, 1½-ton, 4 x 4 (Chevrolet, Models YQ, G4112, 1941; ZQ, G4174, 1941; NP, G7127, 1942, LWB).....	202
Truck, cargo, 1½-ton, 4 x 4 w/winch (Chevrolet, Models ZP, G4163, 1941; NM, G7117, 1942).....	203

Trucks—Continued

	Page
Truck, chassis, 1½-ton, 4 x 4 (Chevrolet, Models NJ, G7107, 1942; NE, G7103, 1942-43)....	204
Truck, dump, 1½-ton, 4 x 4 (Chevrolet, Models YP, G4112, 1941; ZP, G4152, 1941; NH, G7106, 1942).....	205
Truck, dump, 1½-ton, 4 x 4 w/winch (Chevrolet, Models ZP, G4162, 1941; NL, G7116, 1942).....	206
Truck, stake and platform, 1½-ton, 4 x 4 (Chevrolet, Models YX, G4103, 1941; NN, G7123, 1942-43, COE).....	207
Truck, personnel and cargo, 1½-ton, 6 x 6 (Dodge, Models WC62 and WC63, T223, 1943)f.....	209
Truck, chassis, 2½-ton, 4 x 2 (International Harvester, Model L-171).....	210
Truck, chassis, 2½-ton, 4 x 2 (Federal, Model 25M2).....	211
Truck, dump, 2½-ton, 4 x 2 (Federal, Model 2G).....	212
Truck, dump, 2½-ton, 4 x 2 (GMC, Model HC-451).....	213
Truck, dump, 2½-ton, 4 x 2 (GMC, Model HC-452, 1950).....	214
Truck, dump, 2½-ton, 4 x 2 (International Harvester, Model K7, 1942-43).....	215
Truck, dump, 2½-ton, 4 x 2 (International Harvester, Model L-171).....	216
Truck, dump, 2½-ton, 4 x 2 (Mack, Model EES, 1940).....	217
Truck, stake and platform, 2½-ton, 4 x 2 (International Harvester, Model K7, 1941).....	218
Truck, stake and platform, 2½-ton, 4 x 2 (International Harvester, Model L-172).....	219
Truck, cargo, 2½-ton, 6 x 4 (GMC, Model CCW353, 1941-42).....	222
Truck, gasoline tank, 2½-ton, 6 x 4, 1,350-gal (GMC; w/Heil, single-compartment or Gar Wood, single-compartment or Gar Wood, double-compartment body).....	223
Truck, bomb service, 2½-ton, 6 x 6, M27 and M27B1 (GMC, Model CCKW353, LWB).....	225
Truck, cargo, 2½-ton, 6 x 6 (GMC, Model AFKWX353, COE, 15-ft body).....	226
Truck, cargo 2½-ton, 6 x 6 w and w/o winch (GMC, Model CCKW352, SWB, 1941-42-43).....	227
Truck, cargo, 2½-ton, 6 x 6 w and w/o winch (GMC, Models CCKW353, LWB, 1941-42-43 and CCKWX353, LWB, 1941).....	228
Truck, cargo, 2½-ton, 6 x 6, 17-ft, M427 (GMC, Model AFKWX353, COE 1942).....	229
Truck, cargo, 2½-ton, 6 x 6, M34, w and w/o winch.....	230
Truck, cargo, 2½-ton, 6 x 6, M35, w and w/o winch.....	231
Truck, cargo, 2½-ton, 6 x 6, M36, w and w/o winch.....	232
Truck, cargo, 2½-ton, 6 x 6, M135, w and w/o winch.....	233
Truck, cargo and dump, 2½-ton, 6 x 6, w and w/o winch (GMC, Model CCKW353, LWB, 1941-42-43).....	234
Truck, chassis, 2½-ton, 6 x 6 (GMC, Models CCKWX353, 1941; CCKW353, 1941-42-43, LWB).....	235
Truck, chassis, 2½-ton, 6 x 6, w/winch (GMC, Model CCKWX353, LWB, 1941).....	236
Truck, dump, 2½-ton, 6 x 6, M47, w and w/o winch.....	237
Truck, gasoline tank, 2½-ton, 6 x 6, 750-gal (GMC Models CCKW353, 1941-42-43; CCKWX353, 1941, LWB).....	238
Truck, shop van, 2½-ton, 6 x 6 (GMC, Model CCKW353, w/ST5 non-collapsible body).....	239
Truck, shop van, 2½-ton, 6 x 6, M535.....	240
Truck, water tank, 2½-ton, 6 x 6, 700-gal (GMC, Model CCKW353, LWB, 1941-42-43).....	242
Truck, cargo, 4-ton, 6 x 6 (Diamond T, Model 968A, SWB, 1942).....	243
Truck, cargo, 4-ton, 6 x 6, w/winch (Diamond T, Model 967, SWB, 1941).....	244
Truck, cargo, 4-ton, 6 x 6, w/winch (Diamond T, Models 968, SWB, 1941; 968A, SWB, 1942; and 968B, SWB).....	245
Truck, cargo, 4-ton, 6 x 6, w/winch (Diamond T, Model 970A, LWB, 1942).....	246
Truck, chassis, 4-ton, 6 x 6, w and w/o winch (Diamond T, Model 968A, SWB, 1942).....	247
Truck, dump, 4-ton, 6 x 6 (Diamond T, Model 972, SWB).....	248

Trucks—Continued

	Page
Truck, ponton, 4-ton, 6 x 6, w/winch (Diamond T, Models 970, LWB, 1941 and 970A, LWB, 1942-43).....	249
Truck, wrecker, 4-ton, 6 x 6, w/winch (Diamond T, Models 969, SWB, 1941; 969A, SWB, 1942; and 969B, SWB).....	250
Truck, chassis, 5-ton, 4 x 2 (Federal, Model 45M2, 167-in WB and 179-in WB).....	254
Truck, chassis, 5-ton, 4 x 2 (International Harvester, Model L-201, 175-in and 193-in WB).....	255
Truck, chassis, 5-ton, 4 x 2 w/cab (White, Model WC22).....	256
Truck, dump, 5-ton, 4 x 2 (International Harvester, Model KR11).....	257
Truck, dump, 5-ton, 4 x 2 (International Harvester, Model L-201).....	258
Truck, cargo, 5-ton, 6 x 6, M41.....	266
Truck-chassis, 5-ton, 6 x 6, M139.....	267
Truck, dump, 5-ton, 6 x 6, M51.....	268
Truck, cargo, 6-ton, 6 x 6, w/winch (Mack, Models NM1, NM3, NM5, NM6).....	271
Truck, gasoline tank, 6-ton, 6 x 6, 2,000-gal (White, Model 666, 1942-43-44).....	273
Truck, heavy wrecker, 6-ton, 6 x 6, M1 (Ward La France, Model 1000, Series 1, 2, 3, and 4; Kenworth, Models 570, 571, and 572).....	274
Truck, heavy wrecker, 6-ton, 6 x 6, M1A1 (Ward La France, Model 1000, Series B; Kenworth Model 573).....	275
Truck, prime mover, 6-ton, 6 x 6, w/winch (Corbitt, Model 50SD6).....	276
Truck, prime mover and cargo, 6-ton, 6 x 6, w/winch (White, Model 666, 1942-43-44).....	277
Truck, prime mover, 7½-ton, 6 x 6, w/winch (Mack, Models N02, N03, N06, N07).....	279
Truck, prime mover, 12-ton, 6 x 4, M20 (Diamond T, Models 980 and 981).....	280

Vehicles (See also Landing Vehicles)

Vehicle, armored infantry, full-track, T18E1.....	282
Vehicle, armored utility, M39.....	284
Vehicle, tank recovery, M32 series.....	283

Reproduced by, and sold by Portrayal Press,
P.O. Box 1190, Andover, N.J. 07821 USA

ALL CHANGES IN FORCE

C1, TM 9-2800-1
TO 19-75A-89

DEPARTMENT OF THE ARMY TECHNICAL MANUAL
DEPARTMENT OF THE AIR FORCE TECHNICAL ORDER

MILITARY VEHICLES (Ordnance Corps Responsibility)

C1, TM 9-2800-1 }
TO 19-75A-89 }

DEPARTMENTS OF THE ARMY AND
THE AIR FORCE
WASHINGTON 25, D. C., 16 February 1954

TM 9-2800-1/TO 19-75A-89, 13 February 1953, is changed as follows:

Delete page 66 in its entirety.

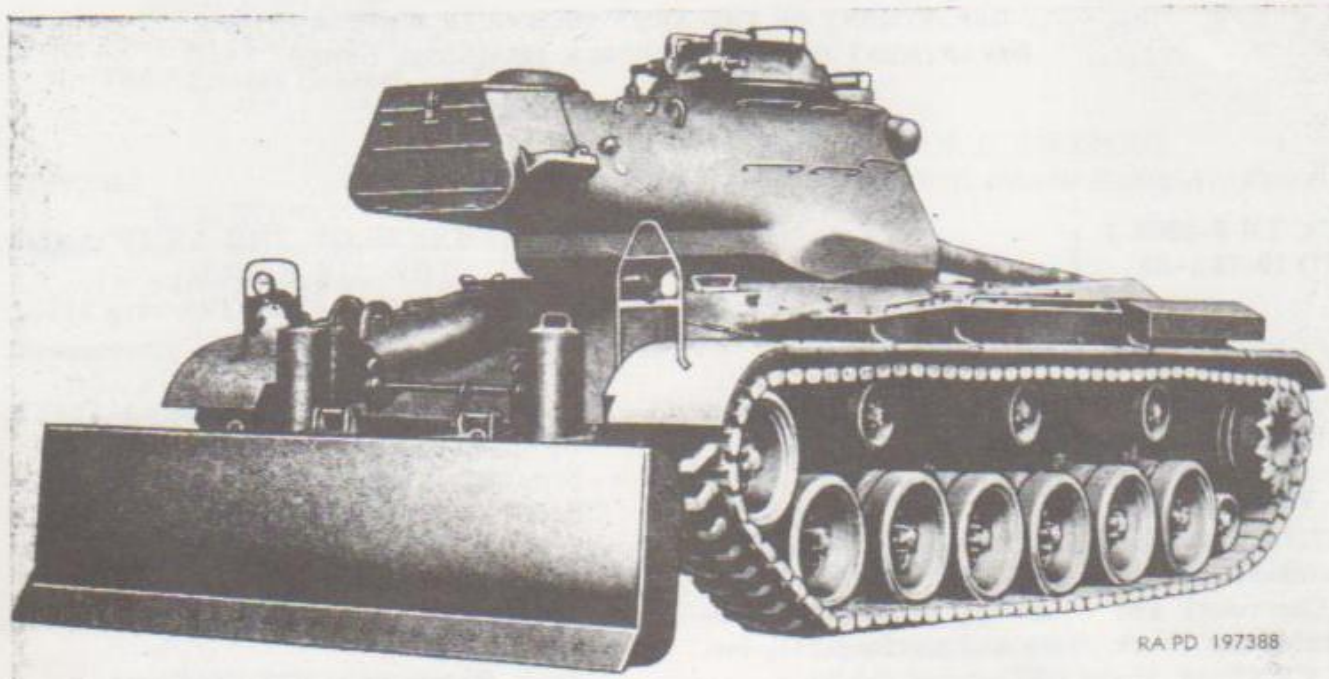
On page 195, delete illustration, RA PD 137763, which represents Truck, 1½-ton, 4 x 4, combination stake and platform, C. O. E. (Chevrolet) and which was incorrectly illustrated for Truck, stake and platform, 1½-ton, 4 x 2 (Ford, Model G8T).

Add the following items in alphabetical sequence:

- Bulldozer, tank-mounting, M3E1
- Bulldozer, tank-mounting, M4
- Bulldozer, tractor-mounting, T8E4
- Carriage, motor, multiple gun, M16A1
- Chassis, truck, 5-ton, 6 x 6, M40
- Chassis, truck, 5-ton, 6 x 6, M61
- Chassis, truck, 5-ton, 6 x 6, M63

- Howitzer, 105-mm, self-propelled, T98E1
- Howitzer, 8-inch, self-propelled, T108
- Semitrailer, cargo, 6-ton, 2-wheel, M118
- Semitrailer, cargo van, 6-ton, 2-wheel, M119
- Semitrailer, cargo, 12-ton, 4-wheel, M127
- Semitrailer, gasoline tank, 12-ton, 4-wheel, M131
- Tank, 90-mm gun, M48 (T48)
- Tank, 120-mm gun, T43E1
- Truck, ¼-ton, 4 x 4, utility, M38A1
- Truck, cargo, 2½-ton, 6 x 6, M211 w/and w/o winch
- Truck, cargo, 5-ton, 6 x 6, M54
- Truck, medium wrecker, 5-ton, 6 x 6, M62
- Truck, gun lifting, heavy, 4 x 4, front, M249
- Truck, gun lifting, heavy, 4 x 4, rear, M250

BULLDOZER, TANK-MOUNTING, M3E1 (Mounted on 90-mm Gun Tank M47)



RA PD 197388

Technical Manual: 9-7410; Supply Catalog: SNL G-275.

Classification: Standardization pending.

GENERAL DATA

Weight (net increase to vehicle weight, including oil).....	(lb) 6,000
Moldboard length.....	(in.) 146
Moldboard height.....	(in.) 36 $\frac{1}{4}$
Reversible moldboard cutting edge.....	(in.) 146 x 8 x $\frac{3}{4}$
Angle of moldboard cutting edge (with horizontal):	
At float position.....	(deg) 58
At lowest position.....	(deg) 68
Relation of moldboard cutting edge to ground:	
Carrying position, above.....	(in.) 51
Highest position, above.....	(in.) 32
Lowest position, below.....	(in.) 9 $\frac{1}{4}$

GENERAL DATA—Continued

Vehicle angle of approach:	
Blade in carrying position.....	(deg) 20
Blade in highest position.....	(deg) 22

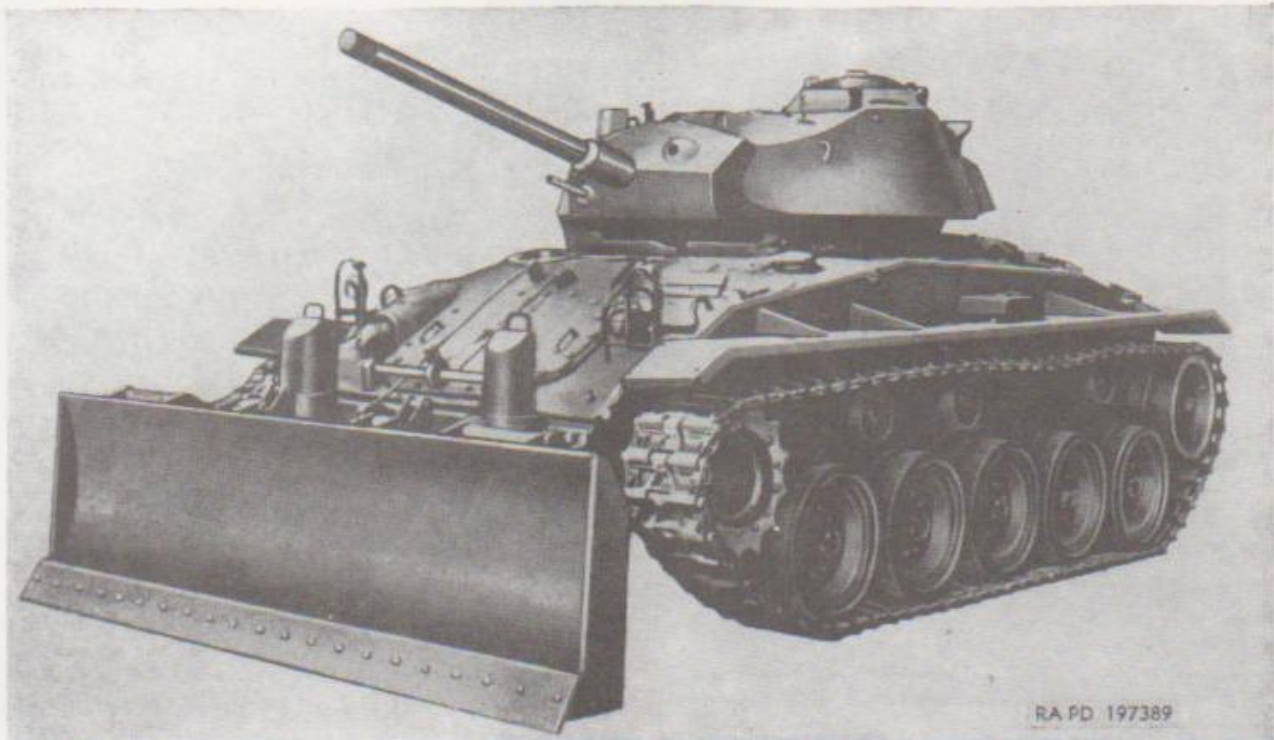
Purpose: To be mounted on 90-mm gun tank M47 for moving earth.

PERFORMANCE

Rate of lift:	
Vehicle engine at 1,500 rpm.....	(in. per sec) 5.5
Vehicle engine at 2,400 rpm.....	(in. per sec) 9.0
Forward speed of vehicle while bulldozing.....	(mph) 1 to 3
Recommended maximum speed of vehicle with bulldozer attached.....	(mph) 15

ADDITIONAL DATA

BULLDOZER, TANK-MOUNTING, M4 (Mounted on Light Tank M24)



RA PD 197389

Technical Manual: 9-7408; Supply Catalog: SNL G-265.

Classification: Standard.

GENERAL DATA

Weight (net increase to vehicle weight, including oil).....(lb)	3,600
Moldboard length.....(in.)	124
Moldboard height.....(in.)	36 $\frac{1}{4}$
Reversible moldboard cutting edge.....(in.)	124x8x $\frac{3}{4}$
Angle of moldboard cutting edge (with horizontal):	
At float position.....(deg)	62
At lowest position.....(deg)	70
Relation of moldboard cutting edge to ground:	
Carrying position, above.....(in.)	25 $\frac{1}{4}$
Highest position, above.....(in.)	28
Lowest position, below.....(in.)	9

GENERAL DATA—Continued

Vehicle angle of approach:	
Blade in carrying position.....(deg)	17
Blade in highest position.....(deg)	20

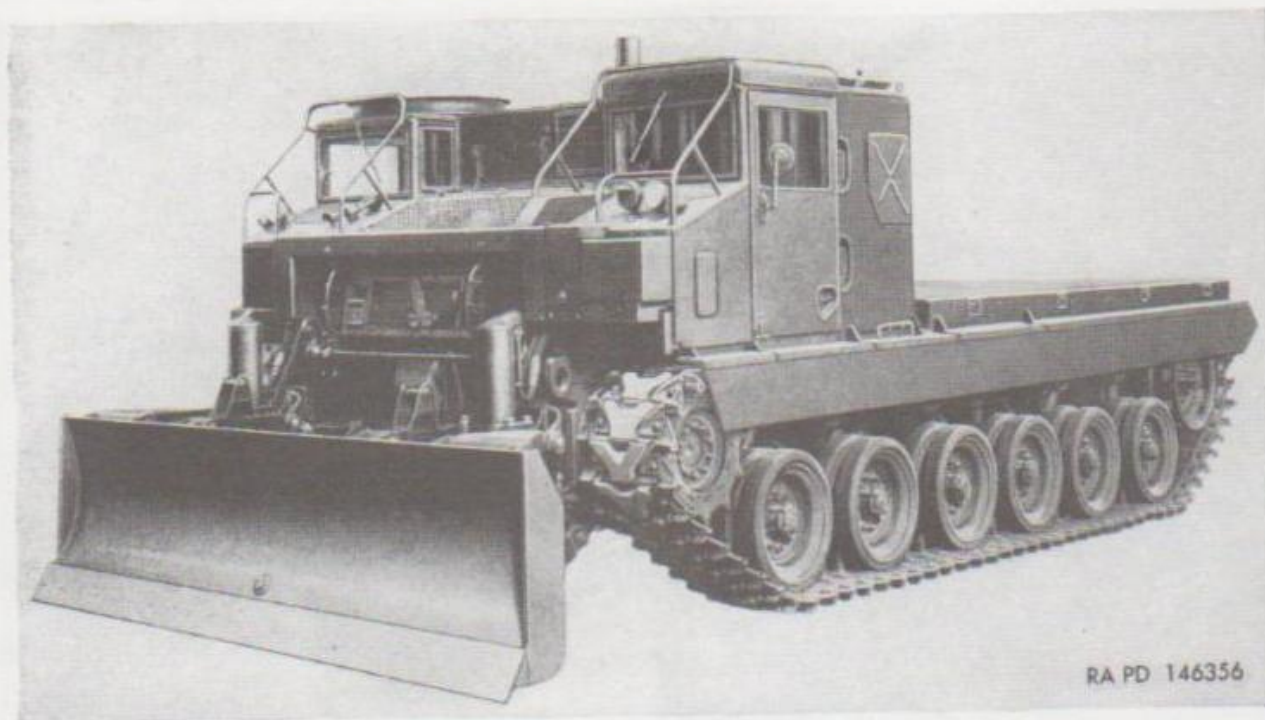
Purpose: To be mounted on light tank M24 for moving earth.

PERFORMANCE

Rate of lift:	
Vehicle engine at 1,500 rpm.....(in. per sec)	5.25
Vehicle engine at 2,400 rpm.....(in. per sec)	8.75
Forward speed of vehicle while bulldozing.....(mph)	1 to 3
Recommended maximum speed of vehicle with bulldozer attached.....(mph)	15

ADDITIONAL DATA

BULLDOZER, TRACTOR-MOUNTING, T8E4 (Mounted on Cargo Tractor M8E2)



RA PD 146356

Technical Manual: 9-7406; Supply Catalog: SNL G-266.

Classification: Standardization pending.

GENERAL DATA

Weight (net increase to vehicle weight, including oil).....	(lb) 4,000
Moldboard length.....	(in.) 129 $\frac{1}{2}$
Moldboard height.....	(in.) 34 $\frac{1}{2}$
Reversible moldboard cutting edge.....	(in.) 130x8x $\frac{3}{4}$
Angle of moldboard cutting edge (with horizontal):	
At float position.....	(deg) 60
At lowest position.....	(deg) 68
Relation of moldboard cutting edge to ground:	
Carrying position, above.....	(in.) 30 $\frac{1}{2}$ g
Highest position, above.....	(in.) 32 $\frac{1}{2}$ g
Lowest position, below.....	(in.) 7 $\frac{1}{2}$

GENERAL DATA—Continued

Vehicle angle of approach:	
Blade in carrying position.....	(deg) 20 (ft) 30
Blade in highest position.....	(deg) 21 (ft) 30

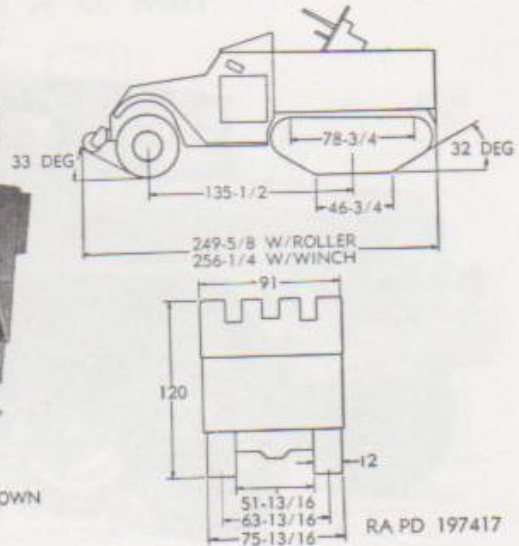
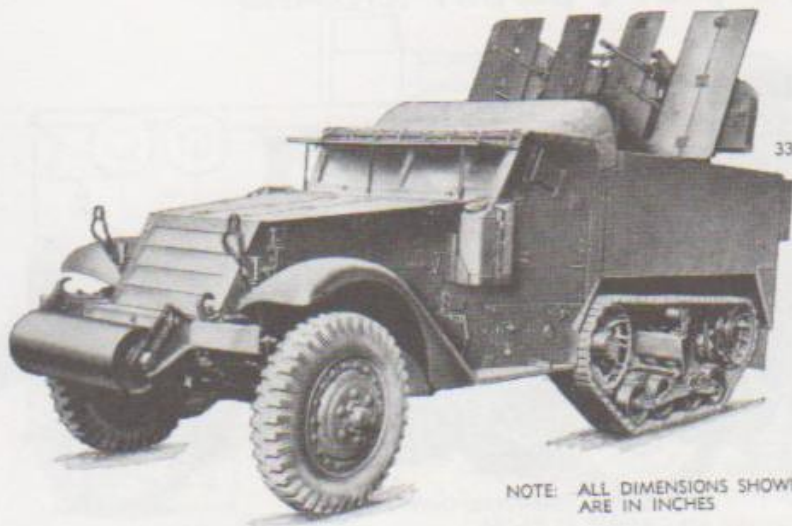
Purpose: To be mounted on cargo tractor M8E2 for moving earth.

PERFORMANCE

Rate of lift:	
Vehicle engine at 1,500 rpm.....	(in. per sec) 7.20
Vehicle engine at 2,400 rpm.....	(in. per sec) 14.14
Forward speed of vehicle while bulldozing.....	(mph) 1 to 3
Recommended maximum speed of vehicle with bulldozer attached.....	(mph) 15

ADDITIONAL DATA

CARRIAGE, MOTOR, MULTIPLE GUN, M16A1



NOTE: ALL DIMENSIONS SHOWN ARE IN INCHES

Technical Manuals: 9-710, 9-1710A, 9-1710C, 9-1711, 9-1825A, 9-1826B, 9-1828A, 9-1829A; Supply Catalog: SNL G-102, Vol 14.

Classification: Substitute Standard.

Armament: 4 guns, machine, cal. .50, Browning, M2, heavy barrel, turret type, turret mounted.

Ammunition: 5,800 rounds, cal. .50; 180 rounds, cal. .45 for submachine gun; 26 hand grenades; 10 rifle grenades.

Fire-Control and Vision Devices: Sight, reflex, M18, or sight, illuminating, MK 9, Mod 1 (12 v).

Communications: Radio and Interphone.

GENERAL DATA

Crew	5
Weight (lb):	gross 21,250
Front-axle gear ratio	6.8:1
Rear-axle (jackshaft) gear ratio	4.44:1
Tires (combat): Ply 12; Size 8.25 x 20—	Pressure (psi) 55
Tread, center-to-center, front	(in.) 64½
Shipping dimensions, uncrated:	(cu ft) 1,630 (sq ft) 163
Vehicle dimensions:	
Ground clearance	(in.) 11½
Pintle height (loaded)	(in.) 20
Electrical system:	(volts) 12
No of batteries	1
Type of ground	negative
Fuel octane rating	72
Capacities:	
Fuel	(gal) 60
Cooling system	(qt) 26
Crankcase, refill	(qt) 12
Transmission and transfer w/PTO	(qt) 9
Axles (qt)	front 3½; rear 9
Winch:	
Load capacity	(lb) 10,000
Oil capacity	(qt) 4

GENERAL DATA—Continued

Brakes:	Type: Hydraulic, vacuum power assisted
Parking brake, type	Propeller shaft
Transmission forward speeds	4
Gear ratio: High 1:1	Low 4.92:1
Transfer speeds	2
Gear ratio: High 1:1	Low 2.48:1
Purpose: To provide mobility for machine guns.	

PERFORMANCE

Maximum grade ability	(percent) 60
Turning radius	(ft) 30
Fording depth	(in.) 32
Fuel consumption, loaded	(mpg) 2.9
Cruising range, loaded	(mi) 175
Allowable speed, recommended	(mph) 40

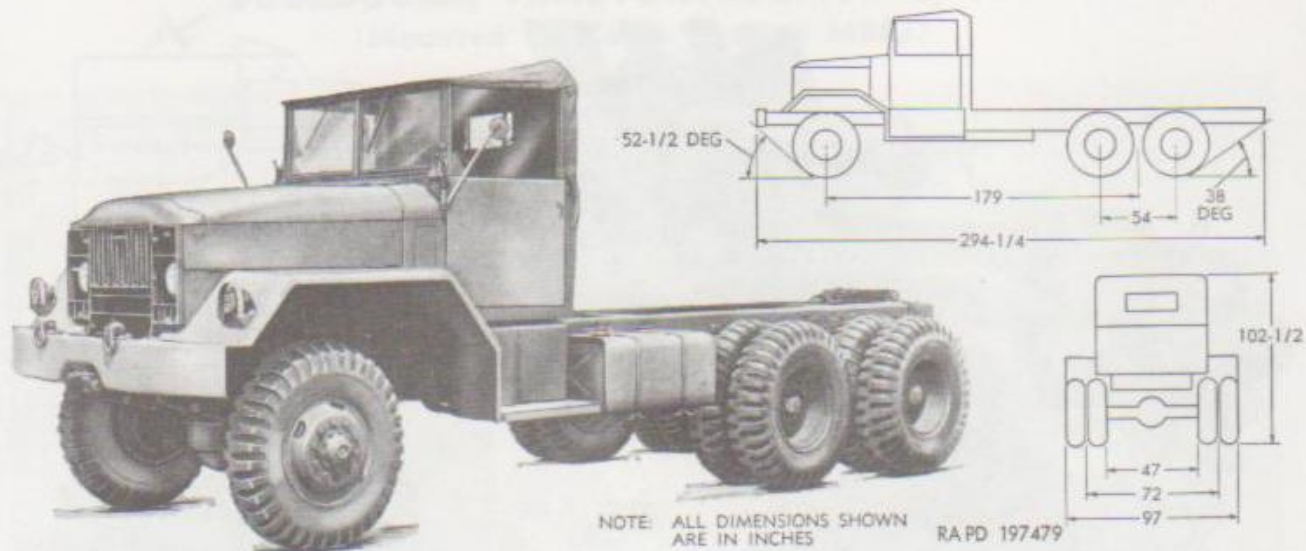
ENGINE

Manufacturer:	White Motor Car Co. Model 160 AX
Type: L-head, 4-cycle	No. of cylinders (in line) 6
Displacement	(cu in.) 386
Bore	(in.) 4
Stroke	(in.) 5¼
Compression ratio	6.44:1
Brake horsepower (max w/std accessories)	142 at (rpm) 3,000
Torque (max w/std accessories)	320 lb-ft at (rpm) 1,300

ADDITIONAL DATA

Live axle, type spiral, bevel-gear, single reduction, full floating	
Transmission, type	constant mesh, helical gear

CHASSIS, TRUCK, 5-TON, 6 X 6, M40



Technical Manuals: 9-837, 9-1937A; Supply Catalog: SNL G-744.

Classification: Standard.

GENERAL DATA

Crew	2
Weight (lb):	Net w/o winch 16,786 w/winch 17,501
Gross:	
W/o winch	off highway 29,136 on highway 39,136
W/winch	off highway 29,852 on highway 39,852
Axle gear ratio	6.448:1
Axle load (lb):	
Empty:	
W/o winch, front	7,776 rear (each) 4,505
W/winch, front	8,627 rear (each) 4,437
Tires: Ply 12; Size 11.00 x 20	Pressure (psi) 70
Tread, center-to-center, front	(in.) 73 1/2
Shipping dimensions, uncrated:	
W/o winch	(cu ft) 1,693 (sq ft) 193
W/winch	(cu ft) 1,782 (sq ft) 208
Vehicle dimensions:	
Ground clearance (under rear bogie torque rod)	(in.) 10 1/2
Pintle height, empty	(in.) 39 1/2
Frame height (at rear)	(in.) 43 1/2
Electrical system:	(volts) 24
No. of batteries	(12-volt) 2
Type of ground	negative
Fuel octane rating	80
Capacities:	
Fuel	(gal) 78
Cooling system	(qt) 44
Crankcase, refill	(qt) 18
Transmission w/PTO	(qt) 11
Transfer	(qt) 5.2
Axles, each	(qt) 12
Winch:	
Oil capacity	(qt) 1.5
Load capacity	(lb) 20,000

GENERAL DATA—Continued

Brakes:

Service:	Manufacturer	Timken
Type	hydraulic, air actuated	
Parking brake, type	dual grip	
Transmission forward speeds	5	
Gear ratio: High: 1:1	4th: 1.43:1	Low: 7.31:1
Transfer speeds	2	
Gear ratio: High front: 1.068	Low front: 2.163	
rear: 1.000	rear: 2.024	

Purpose: To be used as component of general-purpose or special equipment vehicle.

PERFORMANCE

Computed grade ability in lowest gear (with towed load off highway)	(percent) w/winch 49.93; w/o winch 50.76
Turning radius (ft)	w/winch 41.583; w/o winch 41.08
Fording depth	(in.) 78
Fuel consumption, loaded (at 30 mph w/winch off highway)	(mpg) 2.78
Cruising range, loaded	(mi) 217
Allowable speed, governed	(mph) 52.6
Maximum pintle tow, gross (lb):	off highway 15,000 on highway 30,000

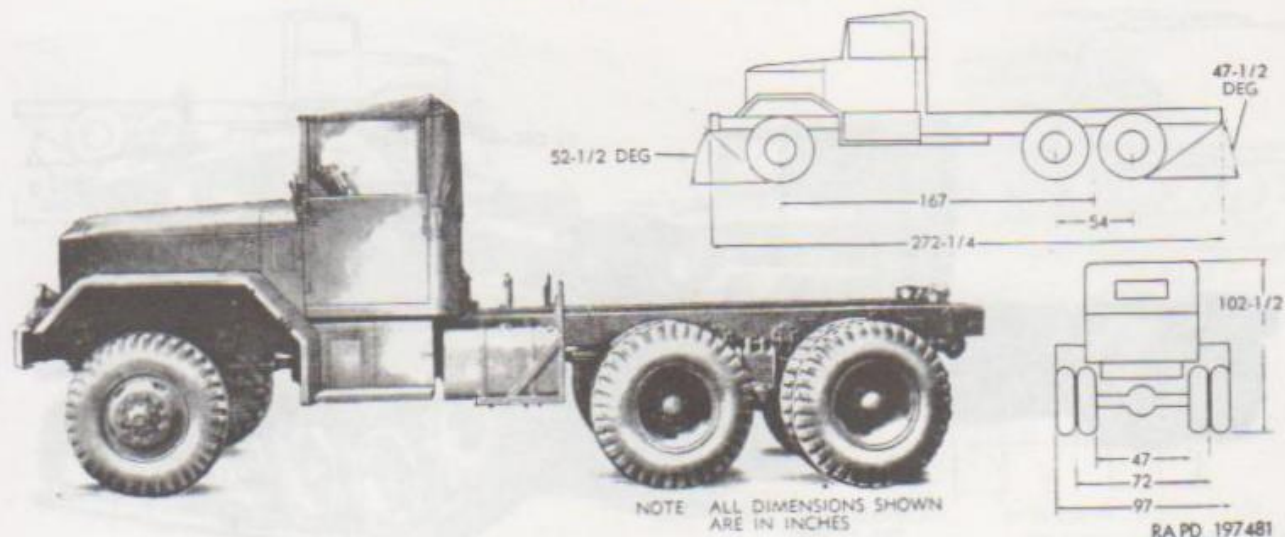
ENGINE

Manufacturer: Continental	Model R-6602
Type: 4-cycle, valve-in-head	No. of cylinders (in line) 6
Displacement	(cu in.) 602
Bore	(in.) 4 1/4
Stroke	(in.) 5 3/4
Compression ratio	6.4
Governed speed (rpm)	(full load) 2,800; (no load) 2,950
Brake horsepower (max w/std accessories)	196 at (rpm) 2,800
Torque (max w/std accessories)	480 lb-ft at (rpm) 1,200

ADDITIONAL DATA

Axles, type	double reduction
Transmission, type	synchro-mesh

CHASSIS, TRUCK, 5-TON, 6 X 6, M61



Technical Manuals: 9-837, 9-1857A; Supply Catalog: SNL G-744.

Classification: Standard.

GENERAL DATA

Crew	2
Weight (lb):	Net w/o winch 17,960 w/ winch 18,943
Gross:	
W/o winch	off highway 29,711 on highway 39,711
W/ winch	off highway 30,393 on highway 40,394
Axle gear ratio	6.443:1
Axle load (lb):	
Empty:	
W/o winch, front	8,060 rear (each) 4,659
W/ winch, front	8,905 rear (each) 4,569
Tires: Ply 12; Size 11.00 x 20	Pressure (psi) 70
Tread, center-to-center, front	(in.) 73 1/2
Shipping dimensions, uncrated:	
W/o winch	(cu ft) 1,567 (sq ft) 183
W/ winch	(cu ft) 1,657 (sq ft) 194
Vehicle dimensions:	
Ground clearance (under rear bogie torque rod)	(in.) 10 1/2
Pintle height, empty	(in.) 30 1/2
Frame height (at rear)	(in.) 43 1/2
Electrical system:	(volts) 24
No. of batteries	(12-volt) 2
Type of ground	negative
Fuel octane rating	80
Capacities:	
Fuel (2 tanks)	(each) (gal) 55
Cooling system	(qt) 44
Crankcase, refill	(qt) 18
Transmission w/PTO	(qt) 11
Transfer	(qt) 5.2
Axles, each	(qt) 12
Winch:	
Oil capacity	(qt) 1.3
Load capacity	(lb) 20,000
Brakes:	
Service:	
Manufacturer	Timken
Type	Hydraulic, air actuated
Parking brake, type	Dual grip

GENERAL DATA—Continued

Transmission forward speeds	5	
Gear ratio: High: 1.00:1	4th: 1.43:1	Low: 7.31:1
Transfer speeds	2	
Gear ratio: High front: 1.068	Low front: 2.163	
rear: 1.000	rear: 2.024	

Purpose: For mounting optional type bodies or for use as a truck-tractor.

PERFORMANCE

Computed grade ability in lowest gear (with towed load, off-highway)	(percent): w/ winch 49.32; w/o winch 51.07
Turning radius (ft)	w/ winch 39.20; w/o winch 38.75
Fording depth	(in.) 78
Fuel consumption, loaded (at 30 mph, w/ winch, off highway)	(mpg) 2.79
Cruising range, loaded	(mi) 307
Allowable speed, governed	(mph) 52.6
Maximum pintle tow, gross (lb):	off highway 15,000 on highway 30,000

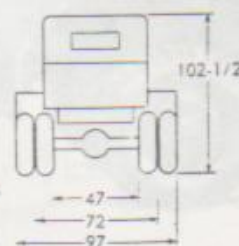
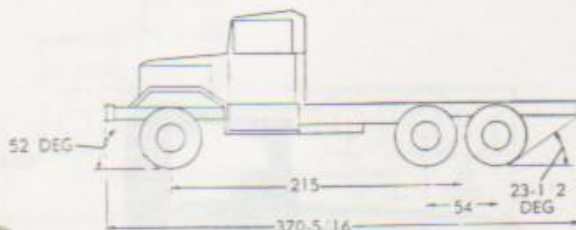
ENGINE

Manufacturer: Continental	Model R-6602
Type: 4-cycle, valve-in-head	No. of cylinders (in line) 6
Displacement	(cu in.) 602
Bore	(in.) 4 1/2
Stroke	(in.) 5 1/2
Compression ratio	6.4
Governed speed (rpm) full load 2,800	no load 2,950
Brake horsepower (max w/std accessories)	196 at (rpm) 2,800
Torque (max w/std accessories)	450 lb-ft at (rpm) 1,200

ADDITIONAL DATA

Axles, type	double reduction
Transmission, type	synchro-mesh

CHASSIS, TRUCK, 5-TON, 6 X 6, M63



NOTE: ALL DIMENSIONS SHOWN ARE IN INCHES

RA PD 1974B3

Technical Manuals: 9-887, 9-1887A; Supply Catalog: SNL G-744.

Classification: Standard.

GENERAL DATA

Crew	2
Weight (lb): w/o winch	Net 19,242
Gross	off highway 31,592 on highway 41,592
Axle gear ratio	6.443:1
Axle load (lb):	
Empty, w/o winch	front 8,364 rear (each) 5,439
Tires: Ply 12; Size 11.00 x 20	Pressure (psi) 70
Tread, center-to-center, front	(in.) 73 1/2
Shipping dimensions, uncrated (w/o winch): (cu ft)	2,169
	(sq ft) 249
Vehicle dimensions:	
Ground clearance (under rear bogie torque rod)	(in.) 10 1/2
Pintle height, empty	(in.) 30 1/2
Frame height (at rear, empty chassis)	(in.) 43 1/2
Electrical system:	
No. of batteries	(volts) 24
	(12-volt) 2
Type of ground	negative
Fuel octane rating	80
Capacities:	
Fuel	(gal) 75
Cooling system	(qt) 44
Crankcase, refill	(qt) 18
Transmission w/PTO	(qt) 11
Transfer	(qt) 5.2
Axles, each	(qt) 12
Brakes:	
Service:	
Manufacturer	Timken
Type	hydraulic, air actuated
Parking brake, type	dual grip
Transmission forward speeds	
Gear ratio: High: 1.00:1	4th 1.43:1 Low 7.31:1

GENERAL DATA—Continued

Transfer speeds	2
Gear ratio:	
High front: 1.068	Low front: 2.163
rear: 1.000	rear: 2.024

Purpose: For mounting general purpose bodies or special bodies.

PERFORMANCE

Computed grade ability in lowest gear (with towed load, off-highway, w/o winch)	(percent) 48.02
Turning radius (w/o winch)	(ft) 46.166
Fording depth	(in.) 78
Fuel consumption, loaded (at 30 mph w/o winch off highway)	(mpg) 2.78
Cruising range, loaded (at 30 mph w/o winch off highway)	(mi) 217
Allowable speed, governed	(mph) 52.6
Maximum pintle tow, gross (lb):	off highway 15,000 on highway 30,000

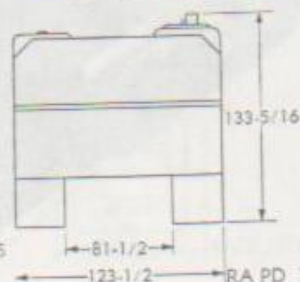
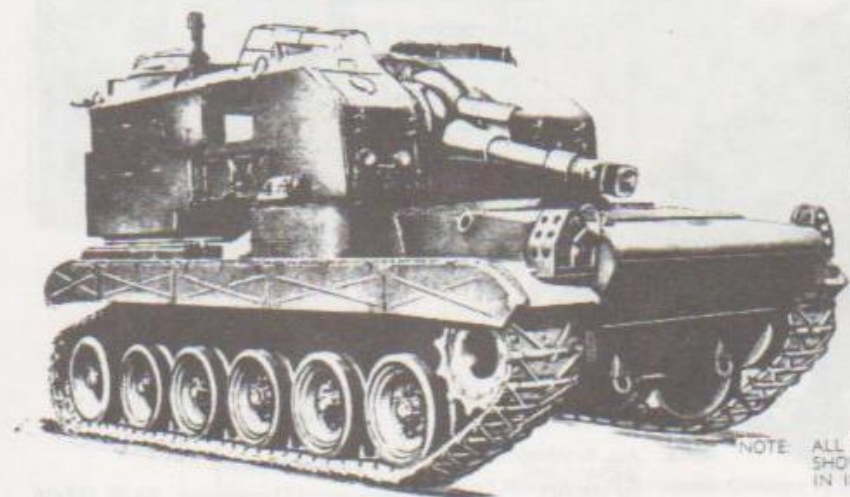
ENGINE

Manufacturer: Continental	Model R-6002
Type: 4-cycle, valve-in-head	No. of cylinders (in line) 6
Displacement	(cu in.) 602
Bore	(in.) 4 1/2
Stroke	(in.) 5 3/4
Compression ratio	6.4
Governed speed (rpm) (full load): 2,800	(no load) 2,950
Brake horsepower (max w/std accessories)	196 at (rpm) 2,800
Torque (max w/std accessories)	450 lb-ft at (rpm) 1,200

ADDITIONAL DATA

Axles, type	double reduction
Transmission, type	synchro-mesh

HOWITZER, 105-MM, SELF-PROPELLED, T98E1



NOTE: ALL DIMENSIONS SHOWN ARE IN INCHES

IRA PD 197442

Technical Manuals: 9-717A, 9-7205-1, 9-7205-2; Supply Catalog: SNL G-258.

Classification: Standardization pending.

Armament: 1 Howitzer, 105-mm, T96E1, turret mounted; 1 gun, machine, cal. .50, Browning, M2, heavy barrel, flexible, pedestal mounted on top of turret; 1 mechanism, recoil, concentric, T77E1; 4 carbine, cal. .30, M2; Gun, submachine, cal. .45, M3A1.

Ammunition: 102 rounds, 105-mm; 945 rounds, cal. .50; 180 rounds, cal. .45 for submachine gun; 840 rounds, cal. .30 carbine; 8 smoke or fragmentation grenades.

Fire-Control and Vision Devices (Ultimate): Computer, out of level, T28; controller, drive, T21; mount, telescope, T168; mount, telescope; T169E1; mount, telescope, T179; periscope, M15A1 or M15; periscope, M17; quadrant, elevation, M9; quadrant, gunner's, M1A1 or M1; telescope, T150E1; telescope, panoramic, T149E1.

Communications: (SCR-619 or SCR-610) and (AN/UIC-1 or RC-99).

GENERAL DATA

Crew	5
Weight, fighting	(lb) 54,100
Ground pressure	(psi) 8
Ground clearance	(in.) 19 ¹ / ₂
Electrical system:	(volts) 24
No. of Batteries	4
Type of ground	negative
Fuel octane rating	80
Capacities:	
Fuel	right (gal) 81 left (gal) 53
Crankcase, refill	(qt) 56
Auxiliary-engine crankcase	(qt) 3 ¹ / ₂
Transmission, cross-drive (including cooler)	(qt) 50
Final drive	(each) (qt) 5

GENERAL DATA—Continued

Brakes: Multiple-disk, wet
No. of ranges (high, low, and reverse) 3

Purpose: To provide an improved, highly mobile and maneuverable 105-mm howitzer to give close support to both rapidly moving armored columns and standard infantry divisions.

PERFORMANCE

Maximum grade ability	(percent) 60
Turning radius (ft)	pivots in place
Fording depth	(in.) 48
Maximum width of ditch vehicle can cross	(in.) 72
Maximum vertical obstacle vehicle can climb	(in.) 30
Cruising range (average conditions)	(mi) 87
Maximum speed	(mph) 35
Maximum allowable towed load, gross	(lb) 5,000

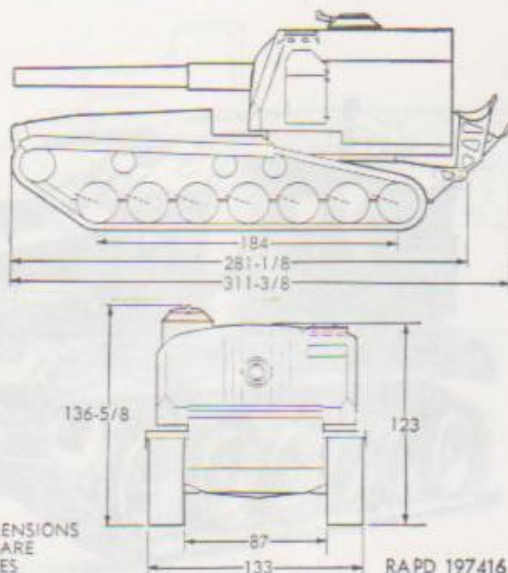
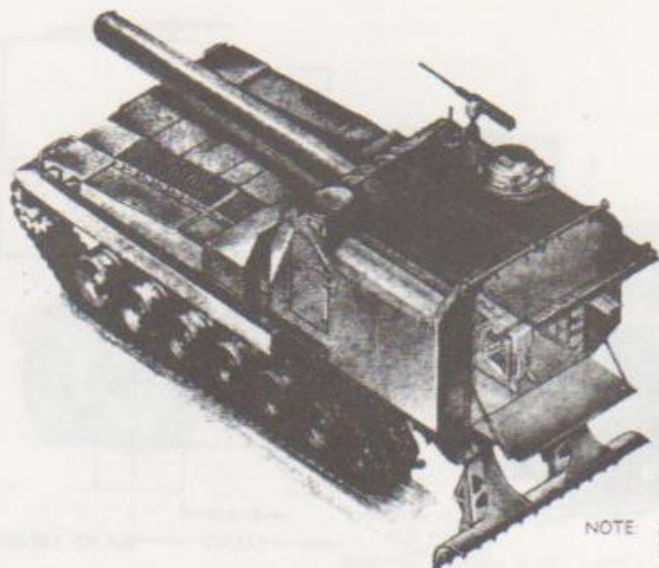
ENGINE

Manufacturer:	Continental	Model AOS-895-3
Type:	4-cycle, overhead valves, air cooled	
No. of cylinders	(opposed) 6	
Displacement	(cu in.) 895.9	
Bore	(in.) 5 ¹ / ₂	
Stroke	(in.) 5 ¹ / ₂	
Compression ratio	5.5:1	
Governed speed	(rpm) 2,950	
Brake horsepower (max w/std accessories)	500 at (rpm) 2,500	
Torque (max w/std accessories)	960 lb-ft at (rpm) 2,400	
Type of ignition	magneto	

ADDITIONAL DATA

Data given for vehicle equipped with track, rubber-backed steel, T91E3.
 Auxiliary generator set: Engine, GMC Model A41-1; Generator, Delco Model GM-A-8585.
 Manual and power turret-traversing mechanism.
 Howitzer equipped with counterweight.

HOWITZER, 8-INCH, SELF-PROPELLED, T108



NOTE: ALL DIMENSIONS SHOWN ARE IN INCHES

Technical Manual: 9-7220; Supply Catalog: SNL G-269.

Classification: Standardization pending.

Armament: 1 howitzer, 8-in., T89; 1 gun, machine, cal. .50, Browning, M2, heavy barrel (flexible) mounted on top of turret. Gun, submachine, cal. .45, M3A1, 5 carbine, cal. .30, M2.

Ammunition: 10 rounds, 80 in.; 900 rounds, cal. .50; 180 rounds, cal. .45 submachine gun; 900 rounds, cal. .30 carbine; 8 hand grenades.

Fire-Control and Vision Devices: Indicator, azimuth, T27; mount, telescope, T179E2; mount, telescope, T181; periscope, M13; periscope, M15A1; periscope, M17; quadrant, gunner's, M1A1 or M1; telescope, T159E1; telescope, panoramic, T149E1.

Communications: (AN/PRC9 w/power supply AM-598-U) and (AN/UIC-1).

GENERAL DATA

Crew	6
Weight, fighting (estimated)	(lb) 94,000
Shipping dimensions uncrated	(cu ft) 3,526 (sq ft) 288
Ground pressure (average)	(psi) 13.16
Ground clearance	(in.) 18½
Pintle height (loaded)	(in.) 25
Electrical system	(volts) 24
No. of batteries	(12-volt) 4
Type of ground	negative
Fuel octane rating	80
Capacities	
Fuel (both tanks)	(gal) 380
Crankcase, refill (without cooler, cores, and lines)	(qt) 64
Transmission, cross-drive (without cooler, cores, and lines)	(qt) 92
Final drive	(each) (qt) 5
Brakes	Pedal controlled hydraulically operated multiple disk service brakes. Pedal operated them as service brakes. Parking brake, type: Lever for locking service brakes.

GENERAL DATA—Continued

Ratio from engine output shaft to torque converter input shaft	1:1
Ratio from torque converter output shaft to final drive flange	
High range	1.26:1
Low range	3.5:1
Reverse range	4.9:1
No. of Ranges: (High, low, and reverse)	3
Torque converter stall ratio	4.1:1
Final-drive gear ratio	5.0769:1

Purpose: To provide mobility for 8-in. howitzer, and crew protection in offensive combat.

PERFORMANCE

Maximum grade ability	(percent) 60
Turning radius (ft)	pivots in place
Fording depth	(in.) 48
Maximum vertical obstacle vehicle can climb	(in.) 40
Maximum width of ditch vehicle can cross	(in.) 89
Fuel consumption (average conditions)	(mpg) 0.43
Cruising range (average conditions)	(mi) 163
Allowable speed, recommended	(mph) 30
Maximum allowable towed load, gross	(lb) 5,000

ENGINE

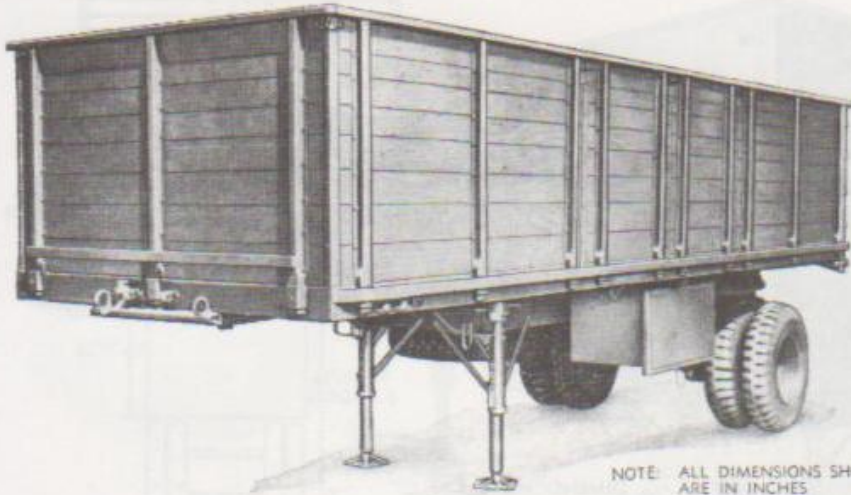
Manufacturer	Continental	Model AV-1790-5B
Type	4-cylinder, valve-in-head, air cooled	
No. of cylinders	(90-deg V) 12	
Displacement	(cu in.) 1,792	
Bore	(in.) 5¼	
Stroke	(in.) 5½	
Compression ratio	6.5:1	
Max. governed speed (full load)	(rpm) 2,800	
Brake horsepower (max w/std accessories)	704 at (rpm) 2,800	
Torque (max w/std accessories)	1,400 lb-ft at (rpm) 2,800	
Type of ignition	dual magneto	

ADDITIONAL DATA

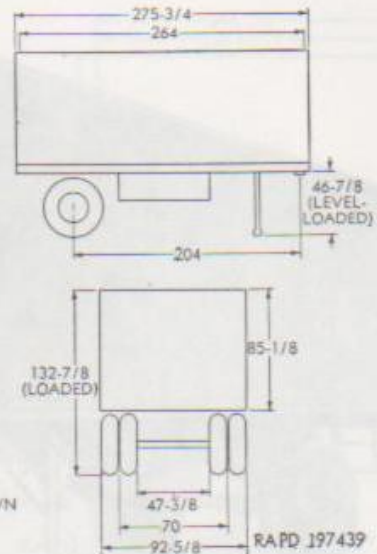
Auxiliary generator set: Engine, GMC Model A41-1;
Generator, Delco, Model GM-A-8585.
Data given for vehicle equipped with track, rubber, T84E1.

AGO 1832A

SEMITRAILER, CARGO, 6-TON, 2-WHEEL, M118



NOTE: ALL DIMENSIONS SHOWN ARE IN INCHES



RAPD 197439

Technical Manual: 9-8220; Supply Catalog: SNL G-751.

Classification: Standardization pending.

GENERAL DATA

Weight (lb): Net 7,140
 Payload on highway 16,200 cross country 12,000
 Gross on highway 23,340 cross country 19,140

Weight distribution (lb):
 Empty fifth wheel 2,315; axle 4,825
 Loaded:
 On inferior roads fifth wheel 7,475; axle 11,665
 On highway fifth wheel 9,281; axle 14,059

Tires: Ply 8; Size 9.00 x 20 Pressure (psi) 40

Shipping dimensions, uncrated: (cu ft) 1,559; (sq ft) 184

GENERAL DATA—Continued

Vehicle dimensions:

Ground clearance (at props) (in.) 12½
 Loading height (empty) (in.) 48
 Height of fifth wheel, landing gear down (in.) 50½
 Body inside dimensions (in.):
 Length 266½ Width 88½ Height 48
 Cargo space (cu ft) 184

Brakes:

Manufacturer: Timken-Detroit Type: air
 Parking brakes, type Orscheln wheel chocks

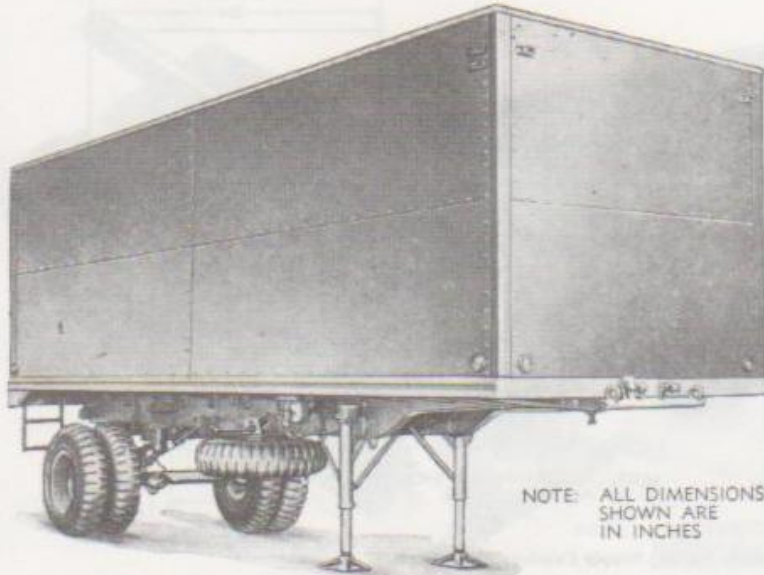
Minimum towing vehicle to be used:

truck-tractor, 2½-ton, 6 x 6, M48

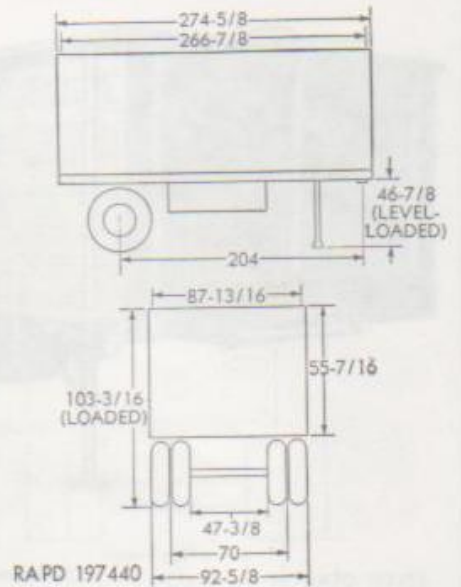
Purpose: To transport general cargo.

ADDITIONAL DATA

SEMITRAILER, CARGO VAN, 6-TON, 2-WHEEL, M119



NOTE: ALL DIMENSIONS SHOWN ARE IN INCHES



Technical Manual: 9-8220; Supply Catalog: SNL G-751.

Classification: Standardization pending.

GENERAL DATA

Weight (lb): Net 7,150
 Payload on highway 16,200 cross country 12,000
 Gross on highway 23,350 cross country 19,120

Weight distribution (lb):
 Empty fifth wheel 2,255; axle 4,925
 Loaded, on inferior roads fifth wheel 7,415; axle 11,765

Tires: Ply 8; Size 9.00 x 20 Pressure (psi) 40

Shipping dimensions, uncrated: (cu ft) 2,023; (sq ft) 184

Vehicle dimensions:
 Ground clearance (at props) (in.) 12 3/4
 Loading height (empty) (in.) 77 3/4

GENERAL DATA—Continued

Vehicle dimensions—Continued

Height of fifth wheel, landing gear down (in.) 50 1/2
 Body inside dimensions (in.):
 Length 264 Width 89 3/4 Height 77 3/4
 Cargo space (cu ft) 165

Brakes:

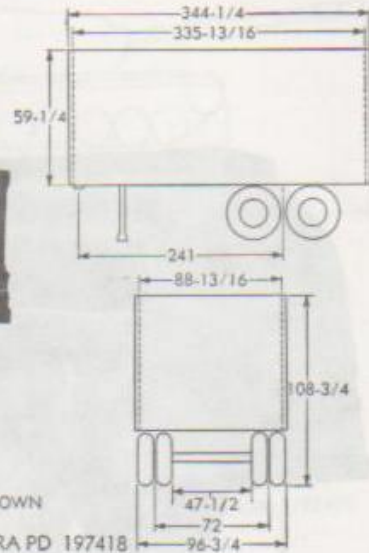
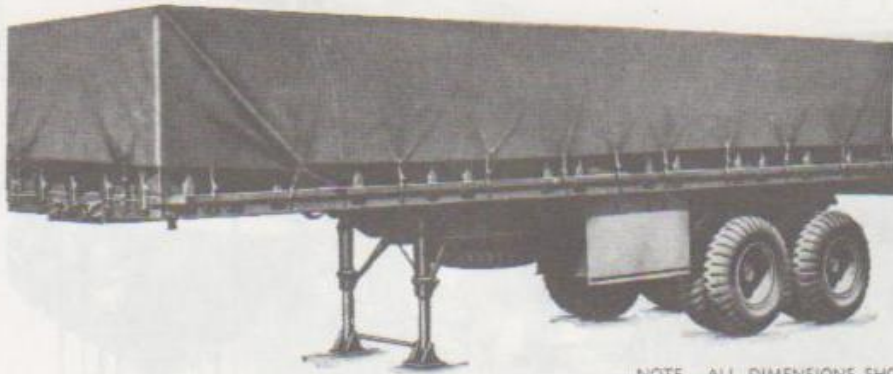
Manufacturer: Timken-Detroit Type: air
 Parking brakes, type Orscheln wheel chocks

Minimum towing vehicle to be used:
 truck-tractor, 2 1/2-ton, 6 x 6, M45

Purpose: To transport general cargo.

ADDITIONAL DATA

SEMITRAILER, CARGO, 12-TON, 4-WHEEL, M127



NOTE ALL DIMENSIONS SHOWN ARE IN INCHES

RA PD 197418

Technical Manual: 9-8214; Supply Catalog: SNL G-760.

Classification: Standard.

GENERAL DATA

Weight (lb): Net 13,500
 Payloadon hard surface roads 36,000cross country 24,000
 Grosson hard surface roads, 49,500cross country 37,500

Weight distribution (lb):
 Emptyfifth wheel 3,550; axle 9,950
 Loaded:
 On inferior roadsfifth wheel 13,700; axle 23,600
 On highwayfifth wheel 18,800; axle 30,700

Tires: Ply 12; Size 11.00 x 20 Pressure (psi) 50

Shipping dimensions, uncrated (with racks)
 (cu ft) 2,096; (sq ft) 33,306

Vehicle dimensions:
 Ground clearance (from bottom of radius rods) (in.) 11 3/4
 Loading height, empty (in.) 60 3/4
 Height of fifth wheel, landing gear down (in.) 49 1/4
 Body inside dimensions (in.):
 Length 335 1/2 Width 88 1/2 Height 48

GENERAL DATA—Continued

Vehicle dimensions—Continued
 Cargo space (cu ft) 830

Brakes:
 Manufacturer: Timken Type: air
 Parking brake, type wheel chocks

Minimum towing vehicle to be used: truck, tractor, 5-ton, 6 x 6

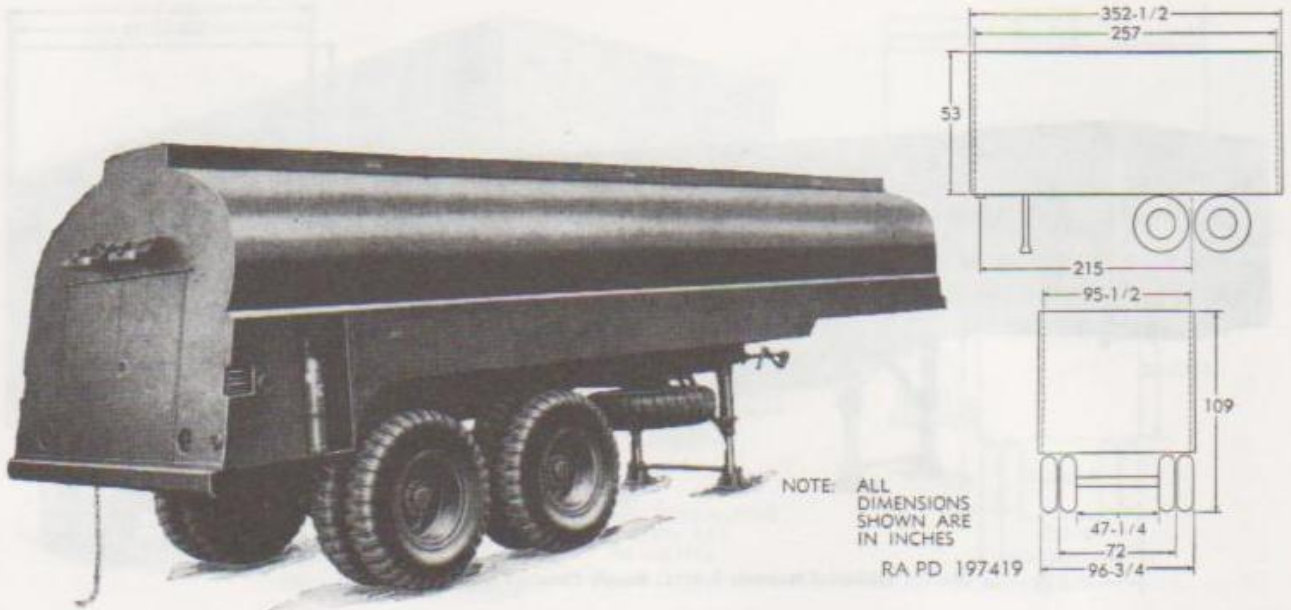
Purpose: To transport general cargo.

ADDITIONAL DATA

Vehicle dimensions:
 Overall (with racks) (in.):
 Length 344 1/4 Width 96 3/4 Height 108 3/4
 Overall (without racks) (in.):
 Length 344 1/4 Width 96 3/4 Height 60 3/4
 Ground clearance (from bottom of raised landing gear when semitrailer is coupled to towing vehicle) (in.) 15 1/4

Shipping dimensions, uncrated (without racks)
 (cu ft) 1,171; (sq ft) 33,306

SEMITRAILER, GASOLINE TANK, 12-TON, 4-WHEEL, M131



Technical Manual: 9-8216; Supply Catalog: SNL G-755.

Classification: Standardization pending.

GENERAL DATA

Weight (lb): Net 14,850
 Payload on hard surface roads...30,540.....cross country 19,820
 Gross on hard surface roads...45,390.....cross country 34,470

Weight distribution (lb):
 Empty fifth wheel 3,320..... axle 11,530

Loaded:
 On inferior roads..... fifth wheel 12,730..... axle 21,740
 On highway fifth wheel 17,480..... axle 27,910

Tires: Ply 12; size 11.00 x 20..... Pressure (psi) 50

Shipping dimensions, uncrated: (cu ft) 2,203.....(sq ft) 34,927

Vehicle dimensions:
 Ground clearance (from bottom of radius rods).....(in.) 11½
 Height of fifth wheel, landing gear down.....(in.) 56

GENERAL DATA—Continued

Brakes:
 Manufacturer: Timken Type: air
 Parking brake, type wheel chock blocks

Minimum towing vehicle to be used: truck, tractor, 5-ton, 6 x 6

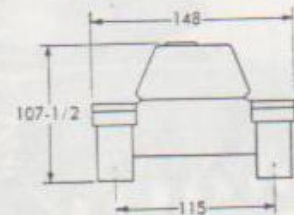
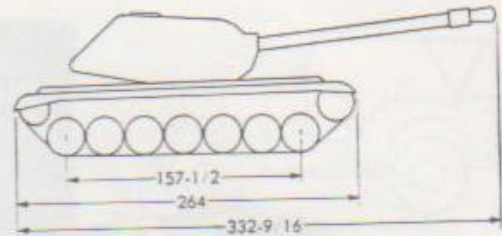
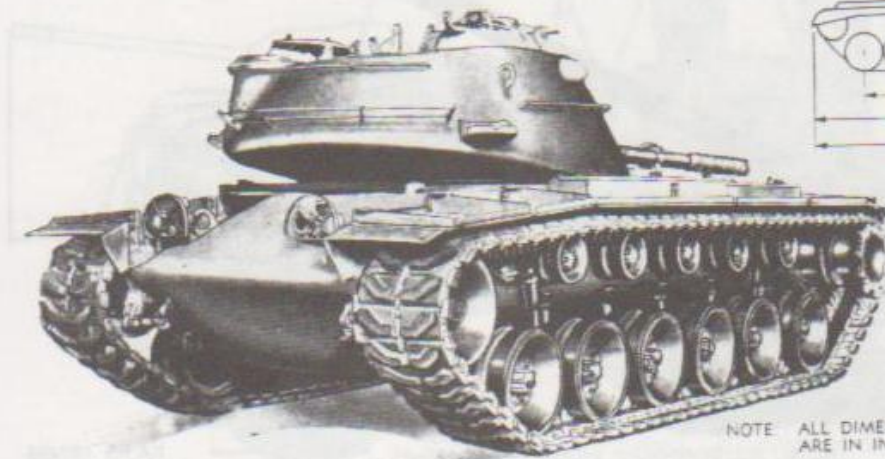
Purpose: To transport and dispense gasoline.

ADDITIONAL DATA

Vehicle dimensions:
 Loading height, empty.....(to top of walkway guard rail)
 (in.) 109

Dimension overall:
 Length.....(Tank length 29 ft 4¼ in. plus 8½ in.
 overall of dummy coupling) 30 ft 1 in.

TANK, 90-MM GUN, M48 (T48)



NOTE ALL DIMENSIONS SHOWN ARE IN INCHES

RA PD 197495

Technical Manual: 9-715B; Supply Catalog: G-254.

Classification: Standard.

Armament: 1 gun, 90-mm, T139, turret mounted; 1 gun, machine, cal. .30, M37 (T153) or 1 gun, machine, cal. .30, Browning, M1919A4E1, flexible, mounted coaxially with main armament; 1 gun, machine, cal. .50, Browning, M2, heavy barrel, flexible is mounted on turret roof; mechanism, concentric recoil, T88.

Ammunition: 60 rounds, 90-mm; 3,810 rounds, cal. .30; 600 rounds, cal. .50; 180 rounds, cal. .45 submachine gun; 180 rounds, cal. .30 carbine; 8 grenades.

Fire Control and Vision Devices (Ultimate): Computer, ballistic, T30; drive, ballistic, T24E2; finder, range, T46E1; indicator, azimuth, T28; mount, periscope, T184E1; mount, telescope, T191; periscope, M20A1 or M20A2; quadrant, elevation, M13; telescope, T156E1.

Communications: (AN/GRC-3, 4, 5, 6, 7, or 8) or (AN/VRQ-1) or (AN/VBC-7) and (AN/VIA-1).

GENERAL DATA

Crew	4
Weight, fighting	(lb) 90,000
Overall length, gun in traveling position	(in) 289 1/2
Shipping dimensions, uncrated	(cu ft) 2,910 (sq ft) 284
Ground pressure	(psi) 10.2
Ground clearance	(in.) 12
Electrical system	(volts) 24
No. of batteries	(12 V) 4
Type of ground	negative
Fuel Octane rating	80
Capacities:	
Fuel	(gal) 215
Crankcase, refill	(qt) 64
Auxiliary engine crankcase	(qt) 3 1/2
Transmission, cross-drive (including cooler)	(qt) 92

GENERAL DATA—Continued

Brakes	Manual, wet, multiple disk, external adjustment
No. of ranges (high, low, and reverse)	3
Torque-converter stall ratio	4.3:1
Final-drive gear ratio	5.05:1
Turret-ring inside diameter	(in.) 85

Purpose: To provide mobile fire power and crew protection for offensive combat.

PERFORMANCE

Maximum grade ability	(percent) 60
Turning radius (ft)	pivots in place
Fording depth	(in.) 48
Maximum width of ditch vehicle can cross	(in.) 102
Maximum vertical obstacle vehicle can climb	(in.) 36
Fuel consumption (average conditions)	(mpg) 0.4
Cruising range (average conditions)	(mi) 100
Allowable speed, recommended	(mph) 30

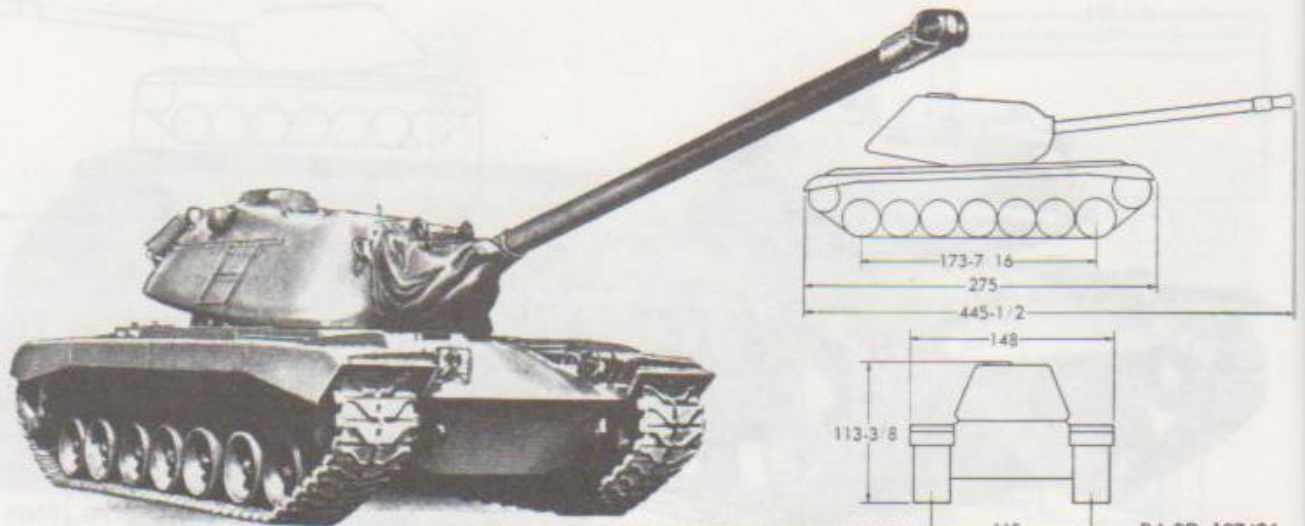
ENGINE

Manufacturer	Continental	Model AV-1790-5B
Type	4-cycle, overhead valves	air-cooled
No. of cylinders	(90 deg V)	12
Displacement	(cu in.)	1,790
Bore	(in.)	5.75
Stroke	(in.)	5.75
Compression ratio		6.5:1
Governed speed	(rpm)	2,500
Brake horsepower (max w/std accessories)	704 at (rpm)	2,500
Torque (max w/std accessories)	1,440 lb-ft at (rpm)	2,000
Type of ignition		magneto

ADDITIONAL DATA

Manual and power traversing and elevating mechanism.
Gun equipped with bore evacuator and muzzle brake.
Auxiliary generator and engine assy: General Motors Model A-41-1.
Data given for vehicle equipped w/track T97.

TANK, 120-MM GUN, T43E1



NOTE: ALL DIMENSIONS SHOWN ARE IN INCHES

RA PD 197496

Technical Manuals: 9-7014, 9-7015-1; Supply Catalog: SNL G-256.

Classification: Standardization pending.

Armament: 1 gun, 120-mm, T123E1; 1 gun, machine, cal. .30, M37 (T153) (tank) or 1 gun, machine, cal. .30, Browning, M1919A4E1, flexible mounted coaxially with main armament; 1 gun, machine, cal. .50, Browning, M2, heavy barrel, flexible mounted on top of turret.

Ammunition: 34 rounds, 120-mm; 4,000 rounds, cal. .50; 300 rounds, cal. .45, submachine gun; 4,000 rounds cal. .30 machine gun; 12 grenades.

Fire Control and Vision Devices: Drive, ballistics, T23E2 w/light, instrument, M30; finder, range, T42E1; periscope, M19; periscope, M17 (commander's cupola); periscope T25; periscope, M20, (gunner's); quadrant, elevation, M13 (T21); quadrant, gunner's, M1A1 or quadrant, gunner's, M1.

Communications: (AN/GRC-3 or AN/GRC-4 plus AN/VIA-1); (AN/VRC-7 plus AN/VIA-1); (AN/GRC-3 plus AN/VIA-1 plus air-ground radio set).

GENERAL DATA

Crew	5
Weight, fighting	(lb) 120,000
Overall length, gun in traveling position	(in.) 897 $\frac{1}{2}$
Ground pressure	(psi) 12.4
Ground Clearance	(in.) 16 $\frac{1}{2}$
Electrical system:	(volts) 24
No. of batteries	4
Type of ground	positive
Fuel octane rating	80
Capacities:	
Fuel	(gal) 290
Brakes:	Manual, wet, multiple disk, external adjustment
No. of ranges (high, low, and reverse)	3

GENERAL DATA—Continued

Torque-converter stall ratio	4.0:1
Final-drive gear ratio	7.077:1
Overall usable ratio	low 12.8:1, high 4.2:1, reverse 18.1:1
Turret-ring inside diameter	(in.) 83

Purpose: To provide a heavy tank armed with 120-mm gun with decreased weight and increased maneuverability, greater flexibility, and accessibility of all components.

PERFORMANCE

Maximum grade ability	(percent) 60
Turning radius (ft)	Pivots in place
Fording depth	(in.) 48
Maximum width of ditch vehicle can cross	(in.) 104
Maximum vertical obstacle vehicle can climb	(in.) 36
Fuel consumption (average conditions)	(mpg) 0.53
Cruising range (average conditions)	(mi) 100
Allowable speed, recommended	(mph) 21

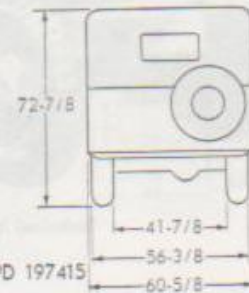
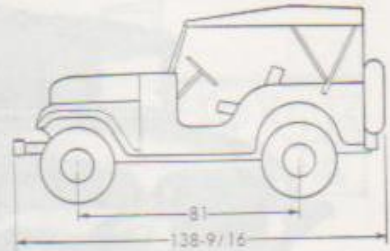
ENGINE

Manufacturer: Continental	Model AV-1790-5B
Type	4 cycle, over-head valve, air-cooled
No. of cylinders	12
Displacement	(cu in.) 1,790
Bore	(in.) 5.75
Stroke	(in.) 5.75
Compression ratio	6.5:1
Governed speed	(rpm) 2,800
Brake horsepower (max w/std accessories)	704 at (rpm) 2,800
Torque (max w/std accessories)	1,440 lb-ft at (rpm) 2,000
Type of ignition	magneto

ADDITIONAL DATA

Manual and power elevating and traversing mechanism.
Gun equipped with bore evacuator and muzzle brake. Auxiliary generator and engine assembly; General Motors Model A-41-1.

TRUCK, 1/4-TON, 4 X 4, UTILITY, M38A1



NOTE ALL DIMENSIONS SHOWN ARE IN INCHES

Technical Manual: 9-804A; Supply Catalog: SNL G-705.

Classification: Standardization pending.

GENERAL DATA

Crew 1	Passengers (including crew)	4
Weight (lbs): Net		2,690
Payload	off highway 500; on highway 1,200	
Gross	off highway 3,490; on highway 3,565	
Live-axle gear ratio		8.35:1
Axle load (lb):		
Empty	front 1,370; rear 1,255	
Loaded, off highway	front 1,419; rear 2,071	
Tires:		
Ply 6	Size 7.00 x 16; Pressure (psi):	
On highway		28
Off highway		22
Mud, sand, or snow		15
Tread, center-to-center, front	(in.)	49 1/4
Shipping dimensions, uncrated:	(cu ft) 267; (sq ft) 55.6	
Vehicle dimensions:		
Ground clearance	(in.)	9 3/4
Pintle height, empty	(in.)	21 1/2
Electrical system:		
No. of batteries		24
Type of ground	(12-volt)	2
Fuel octane rating		72
Capacities:		
Fuel	(gal)	17 1/2
Cooling system	(qt)	11
Crankcase, refill	(qt)	5
Transmission	(pt)	2
Transfer	(pt)	3
Axles (qt):	front 1 1/4; rear 1 1/2	
Brakes:	Type: hydraulic	
Parking brake, type	mechanical-internal expanding	

GENERAL DATA—Continued

Transmission forward speeds	3
Gear ratio: High 1:1	Low 2.80:1
Transfer speeds	2
Gear ratio: High 1:1	Low 2.43:1

Purpose: To transport command and reconnaissance personnel and light cargo.

PERFORMANCE

Computed grade ability in lowest gear, loaded	(percent)	69
Turning radius (ft): right 19 1/4	(left)	19
Fording depth	(in.)	19 1/2
Fuel consumption, loaded	(mpg)	200
Cruising range, loaded	(mi)	364
Allowable speed, recommended	(mph)	55
Maximum recommended towed load:		
Off highway; gross (lb)		1,500
On highway; gross (lb)		2,000

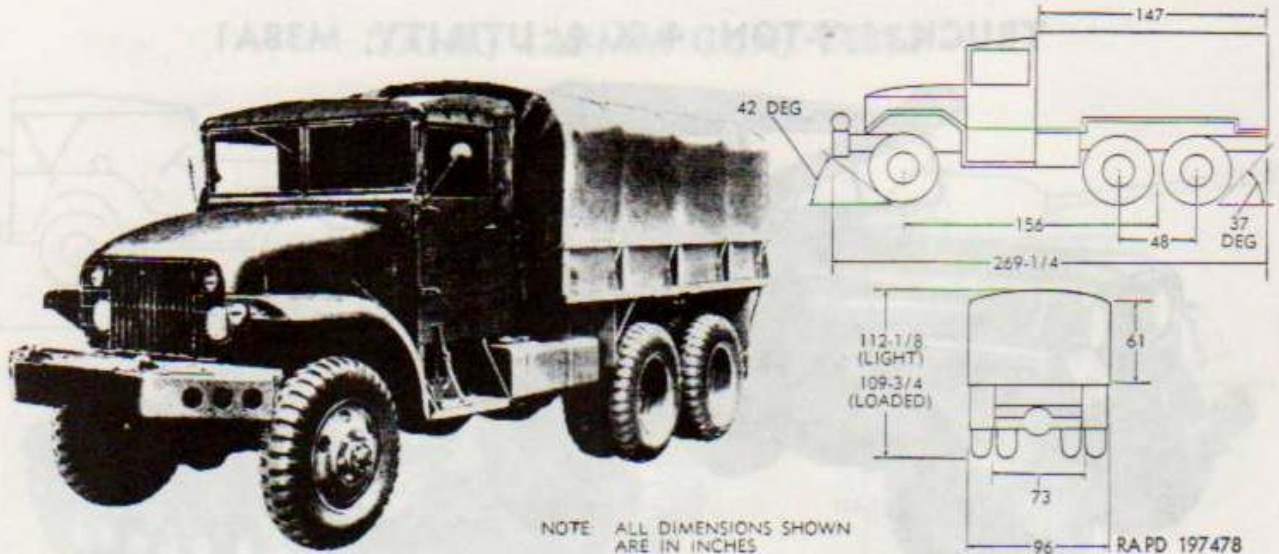
ENGINE

Manufacturer:	Willys
Type: F-head, 4-cycle	No. of cylinders 4
Displacement	(cu in.) 134.2
Bore	(in.) 3 1/4
Stroke	(in.) 4 3/4
Compression ratio	.69
Brake horsepower (max w/std accessories)	72 at (rpm) 4,000
Torque (max)	114 lb-ft at (rpm) 2,000

ADDITIONAL DATA

Live axles, type	hypoid, full-floating
Transmission, type	synchronesh

TRUCK, CARGO, 2½-TON, 6 X 6, M211 W/AND W/O WINCH



NOTE: ALL DIMENSIONS SHOWN ARE IN INCHES

Technical Manuals 9-1819AC, TM 9-1819AB, TM 9-1819AA; Supply Catalog: SNL G-749.

Classification: Standard.

GENERAL DATA

Crew	2
Weight (lb):	
Net	w/o winch 13,170; w/ winch 13,580
Payload	off highway 5,000; on highway 10,000
Gross:	
Off highway:	
W/o winch	18,520; on highway w/o winch 23,520
W/ winch	18,930; w/ winch 23,930
Live-axle gear ratio	6.17:1
Axle load (lb):	
Empty:	
W/o winch	front 5,300; rear inter axle 3,955; rear rear axle 3,915; Total 13,170
W/ winch	front 5,740; rear inter axle 3,940; rear rear axle 3,900; Total 13,580
Loaded, off highway:	
W/o winch	front 5,630; rear inter axle 6,465; rear rear axle 6,425; Total 18,520
W/ winch	front 6,070; rear inter axle 6,450; rear rear axle 6,410; Total 18,930
Loaded, on highway:	
W/o winch	front 5,740; rear inter axle 8,910; rear rear axle 8,570; Total 23,520
W/ winch	front 6,180; rear inter axle 8,895; rear rear axle 8,855; Total 23,930
Tires: 8 ply rating	Size 9.00 x 20
Pressure (psi): on highway	45; mud or snow 15
Tread, center-to-center, front	(in.) 60 1/4
Shipping dimensions, uncrated:	(cu ft) 1,167
Vehicle dimensions:	
Ground clearance	(in.) 12
Pintle height, empty	(in.) 35
Loading height, empty	(in.) 51 1/4
Body inside, dimensions (in.):	
Length	147
Width	88
Height	14
Cargo space	(cu ft) 104.7
Electrical system	(volts) 24
No. of batteries	2
Type of ground	negative
Fuel octane rating	72
Capacities:	
Fuel	(gal) 55

GENERAL DATA—Continued

Capacities—Continued	
Cooling system	(qt) 22
Crankcase, refill	(qt) 11
Transmission	(qt) 16
Transfer (pt): w/ PTO 7 1/2; w/o PTO 6 1/2	
Axles (pt): front 15 1/2; intermediate 19 1/2; rear 11 1/2	
Winch: Oil capacity (pt): bearing and frame housing	1
worm housing	1 1/4
Load capacity	(lb) 10,000

Purpose: To transport general cargo and personnel.

Brakes:	Manufacturer: Bendix; Type: air-hydraulic
Parking brake, type	transfer
Transmission forward speeds	8
High range: High 1:1; 3d 1.55:1; 2d 2.63:0; Low 4.09:1	
Low range: High 3.82:1; 3d 5.95:1; 2d 10.05:0; Low 15.67:1	
Transfer speeds	1
Gear ratio	1.16:1

PERFORMANCE

Computed grade ability in lowest gear w/off-highway	
load	(percent) 60
Turning radius	(ft) 34 1/2
Fording depth, w/o fording kit	(in.) 30
Fuel consumption, loaded	(mpg) 5.8
Cruising range, loaded (average terrain)	(mi) 300
Allowable speed, governed	(mph) 25
Maximum pintle tow, gross (lb):	off highway 6,000; on highway 10,000

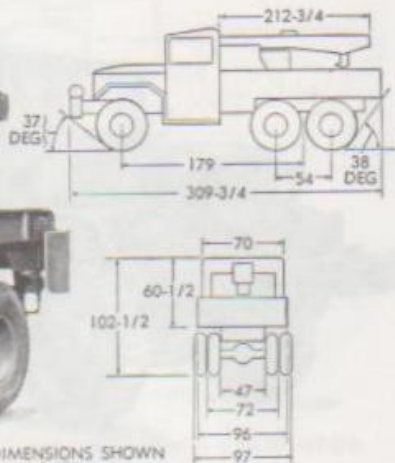
ENGINE

Manufacturer: GMC	Model 302
Type: 4-cycle, valve-in-head	No. of cylinders (in line) 6
Displacement	(cu in.) 301.5
Bore	(in.) 4
Stroke	(in.) 4
Compression ratio	7.2:1
Governed speed	(rpm) 3,400
Brake horsepower (max w/std accessories)	130 at (rpm) 3,400
Torque, maximum, gross	265 lb-ft at (rpm) 1,400-2,000

ADDITIONAL DATA

Live axles, type	hypoid, full-floating
Transmission, type	Hydrumatic

TRUCK, MEDIUM WRECKER, 5-TON, 6 X 6, M62



NOTE: ALL DIMENSIONS SHOWN ARE IN INCHES

RA PD 197482

Technical Manuals: 9-827, 9-1837A; Supply Catalog: SNL G-744.

Classification: Standard.

GENERAL DATA

Crew	2
Weight (lb):	Net 33,675
Payload	off highway 7,000; on highway 12,000
Gross	off highway 41,025; on highway 46,025
Live-axle gear ratio	6.443:1
Axle load (lb):	
Empty	front 9,325; rear (each) 12,175
Off-highway Loaded	front 5,246; rear (each) 17,889
Tires: Ply 12; Size 11.00 x 20;	Pressure (psi) 70
Tread, center-to-center, front	(in.) 73 1/2
Shipping dimensions, uncrated:	(cu ft) 2,486; (sq ft) 234
Vehicle dimensions (in.):	
Ground clearance (under rear bogie torque rod)	(in.) 18 1/2
Loading height, empty	(in.) 231 1/2
Pintle height, loaded	(in.) 25 1/2
Electrical system:	(volts) 24
No. of batteries	(12-volt) 2
Type of ground	negative
Fuel octane rating	80
Capacities:	
Fuel	(gal) 78
Cooling system	(qt) 44
Crankcase, refill	(qt) 18
Transmission (w/PTO)	(qt) 11
Transfer	(qt) 5.2
Axles (qt):	front 12; rear (each) 12
Winch:	
Oil capacity (qt)	front 1.3; rear 3
Load capacity (lb)	front 20,000; rear 40,000
Crane winch gear case	(qt) 8
Pivot gear case	(lb) 15
Crane lift capacity (max)	(lb) 20,000
Brakes:	
Manufacturer: Timken	Type; hydraulic, air actuated
Parking brake, type	dual grip

GENERAL DATA—Continued

Transmission forward speeds	
Gear ratio:	High: 1.00:1; 4th 1.43:1; Low 7.31:1
Transfer speeds	2
Gear ratio	High front: 1.068; Low front: 2.163
	rear: 1.000; rear: 2.024

Purpose: To tow, salvage, and recover disabled medium vehicles and equipment and for numerous repair operations where medium hoist and winch equipment is needed.

PERFORMANCE

Computed grade ability in lowest gear (with towed load, off-highway)	(percent) 30.38
Turning radius	(ft) 41.583
Fording depth	(in.) 78
Fuel consumption, loaded (at 30 mph, off highway)	(mpg) 2.74
Cruising range, loaded	(mi) 214
Allowable speed, governed	(mph) 52.6
Maximum recommended towed load, gross (lb):	off highway: 20,000
	on highway: 30,000

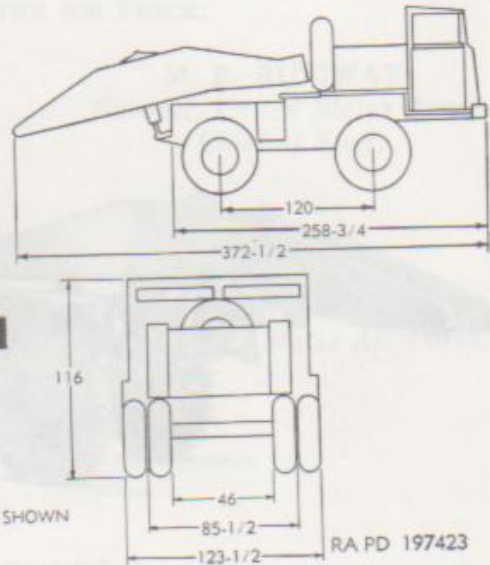
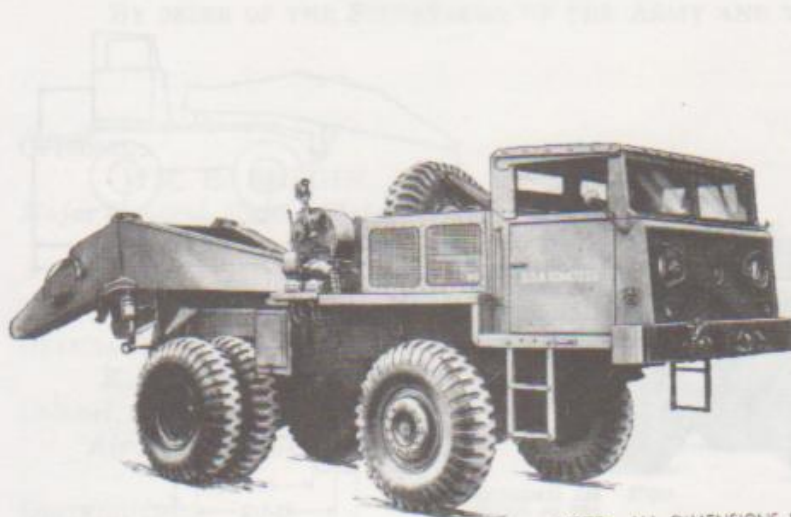
ENGINE

Manufacturer: Continental	Model R-6002
Type: 4-cycle, valve-in-head	No. of cylinders (in line) 6
Displacement	(cu in.) 602
Bore	(in.) 4 1/2
Stroke	(in.) 5 3/4
Compression ratio	6.4
Governed speed (rpm)	full load 2,800; no load 2,950
Brake horsepower (max w/std accessories)	196 at (rpm) 2,800
Torque (max)	480 lb-ft at (rpm) 1,200

ADDITIONAL DATA

Live axles, type	double reduction
Transmission, type	synchromesh

TRUCK, GUN, LIFTING, HEAVY, 4 X 4, FRONT, M249



NOTE: ALL DIMENSIONS SHOWN ARE IN INCHES

RA PD 197423

Technical Manual: 9-8096; Supply Catalog: SNL G-268.

Classification: Standardization pending.
Communications: Interphone.

GENERAL DATA

Crew	4
Weight (lb):	Net 37,293
Axle gear ratio:	front 10.873; rear 10:16
Axle load (lb):	
Empty	front 14,870; rear 21,660
Tires: Ply 20; Size 16.00 x 25; Pressure	(psi) 65
Shipping dimensions, uncrated: (cu ft) 3,400	(sq ft) 322
Vehicle dimensions:	
Ground clearance	(in.) 14
Pintle height (in.)	front 52½; rear 55
Electrical system:	(volts) 24
No. of batteries	2
Type of ground	negative
Fuel octane rating	80
Capacities:	
Fuel	(gal) 140
Crankcase, refill	(qt) 44
Transmission	(gal) 14
Winch: Oil capacity (qt) 10; Load capacity (lb)	60,000
Steering reservoir	(gal) 5
Hoist and winch hydraulic reservoir	(gal) 20
Brakes:	
Manufacturer: Bendix-Westinghouse	Type: Air
Parking brake, type	mechanical, drum

GENERAL DATA—Continued

Transmission forward speeds	3
Gear ratio: High 1:1	2d 2.02:1
Low	4.40:1

Purpose: Used w/Truck, gun lifting, heavy, 4 x 4, rear, M250 to lift and transport the 280-mm gun T131 and 280-mm gun carriage T72.

PERFORMANCE

Computed grade ability in lowest gear w/towed load	(percent) 30
Turning radius (ft)	(right or left) 40
Fording depth	(in.) 60
Fuel consumption, loaded	(mpg) 1
Cruising range, loaded	(mi) 150
Allowable speed, governed	(mph) 30

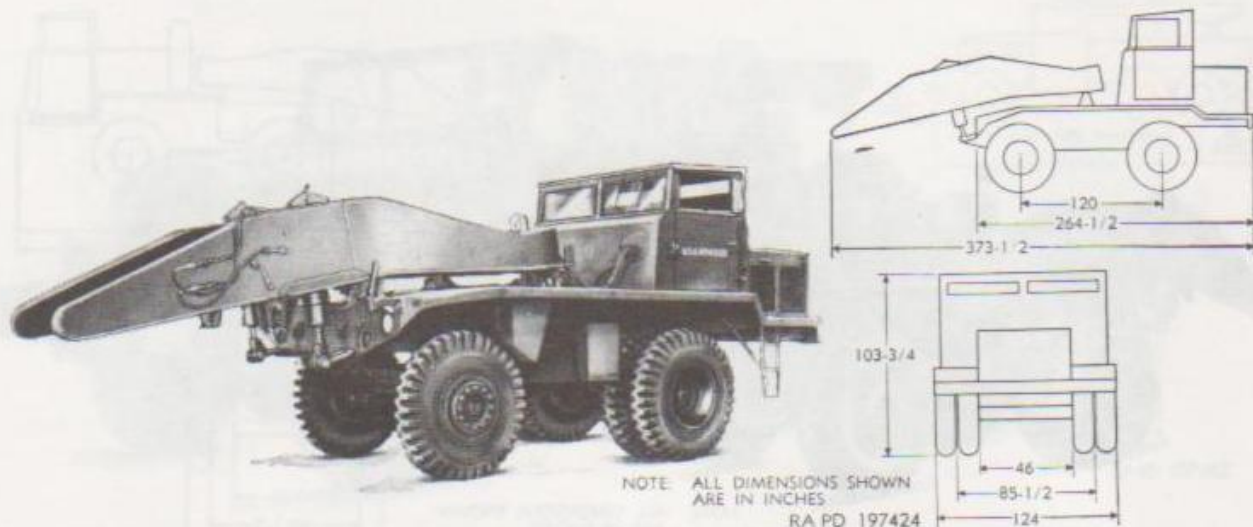
ENGINE

Manufacturer: Continental	Model AO-895-4, spec 3
Type: Overhead valve, 4-cycle, air-cooled	
	No. of cylinders (opposed) 6
Displacement	(cu in.) 895
Bore	(in.) 5¼
Stroke	(in.) 5¼
Compression ratio	6.5:1
Governed speed (rpm)	(no load) 2,950 (load) 2,800
Brake horsepower (max w/std accessories)	375 at (rpm) 2,800
Torque (max)	775 lb-ft at (rpm) 2,100

ADDITIONAL DATA

Transmission, type.....manually-controlled, full torque shifting.

TRUCK, GUN LIFTING, HEAVY, 4 X 4, REAR, M250



NOTE: ALL DIMENSIONS SHOWN ARE IN INCHES.

RA PD 197424

Technical Manual: 9-8006; Supply Catalog: SNL G-265.

Classification: Standardization pending.
Communications: Interphone.

GENERAL DATA

Crew	4
Weight (lb):	Net 35,341
Axle gear ratio	front 10.873; rear 10:16
Axle load (lb):	
Empty	front 15,630; rear 18,950
Tires: Ply 20; Size 16.00 x 25; Pressure	(psi) 65
Vehicle dimensions:	
Ground clearance	(in.) 14 1/2
Pintle height (in.)	rear 55 1/2
Electrical system:	(volts) 24
No. of batteries	2
Type of ground	negative
Fuel octane rating	80
Capacities:	
Fuel	(gal) 140
Hoist hydraulic reservoir	(gal) 12
Steering reservoir	(gal) 5
Transfer case	(qt) 6
Crankcase, refill	(qt) 44
Transmission	(gal) 14
Brakes:	
Manufacturer: Bendix-Westinghouse	Type: Air
Parking brake, type	mechanical, drum on rear axle

GENERAL DATA—Continued

Transmission forward speeds	3
Gear ratio: High 1:1	2d 2.02:1 Low 4.40:1
Purpose: Used w/Truck, gun lifting, heavy, 4 x 4, front, M249 to lift and transport the 280-mm gun T131 and 280-mm gun carriage T72.	

PERFORMANCE

Computed grade ability in lowest gear w/towed load	(percent) 30
Turning radius (ft):	(right or left) 40
Fording depth	(in.) 60
Fuel consumption, loaded	(mpg) 1
Cruising range, loaded	(mi) 150
Allowable speed, governed	(mph) 30

ENGINE

Manufacturer: Continental	Model AO-895-4, spec 4
Type: Overhead valve, 4 cycle, air-cooled,	
No. of cylinders (opposed)	6
Displacement	(cu in.) 895
Bore	(in.) 5 1/4
Stroke	(in.) 5 1/4
Compression ratio	6.5:1
Governed speed (rpm)	(no load) 2,950 (load) 2,800
Brake horsepower (max w/std accessories)	375 at (rpm) 2,800
Torque (max)	775 lb-ft at (rpm) 2,100

ADDITIONAL DATA

Transmission, type.....manually controlled, full-torque shifting.

[AG 451 (8 Oct 53)]

TM 9-370-1
TO 36-2-3
23

BY ORDER OF THE SECRETARIES OF THE ARMY AND THE AIR FORCE:

M. B. RIDGWAY,
General, United States Army,
Chief of Staff.

OFFICIAL:

WM. E. BERGIN,
Major General, United States Army,
The Adjutant General.

N. F. TWINING,
Chief of Staff, United States Air Force.

OFFICIAL:

K. E. THIEBAUD,
Colonel, United States Air Force,
Air Adjutant General.

DISTRIBUTION:

Active Army:

Tech Svc (1); Tech Svc Bd (2); AFF (3); AA Comd (2); OS Maj Comd (5); Base Comd (2); MDW (3); Log Comd (5); A (5); CHQ (2); Div (2); Brig (1); Regt (1) except 9 (2); Bn (1) except 9 (2); Co (1) except 9 (2), less T/O&E's 9-17A, 9-387; FT (2); Sch (5) except 9 (50); Gen Dep (2); Dep 9 (10); POE (2), OSD (2); PRGR 9 (10); Ars 9 (10) less Plants & Works; Proc Dist 9 (10); Mil Dist (3).

NG: Same as Active Army except one copy to each unit.

Army Reserve: None.

For explanation of distribution formula, see SR 310-90-1.

DEPARTMENT OF THE ARMY TECHNICAL MANUAL
DEPARTMENT OF THE AIR FORCE TECHNICAL ORDER

MILITARY VEHICLES
(Ordnance Corps Responsibility)

TM 9-2800-1
TO 36-1-2
CHANGES No. 2

DEPARTMENTS OF THE ARMY AND
THE AIR FORCE
WASHINGTON 25, D. C., 12 January 1956

TM 9-2800-1/TO 36-1-2, 13 February 1953,
is changed as follows:

For items appearing on pages 123, 124, 125,
126, 127, 128, and 129 change text of *Purpose*
paragraph to read "General utility tractor."

Delete the following vehicle model numbers
wherever they occur on the pages indicated:

	Page
AUTOMOBILE, SEDAN, light, 5-passenger: (Ford Models, 01A, 1940; 11A73A, B, and C, 1941)	10
(Plymouth Models, P9, 1940; P11, 1941; P14, 1942)	12
AUTOMOBILE, SEDAN, medium, 5-passen- ger (Packard Model, 2003, 1942)	14
TRUCK TRACTOR, 1½-ton, 4 x 2 (Ford Models, 2G8TA, 2GT, 1942; 2G8T, 1942; 2GT, 1943)	199

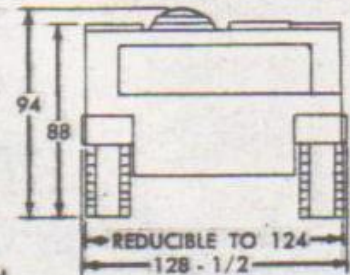
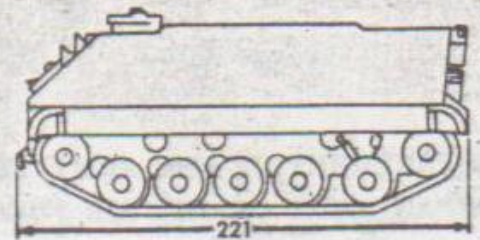
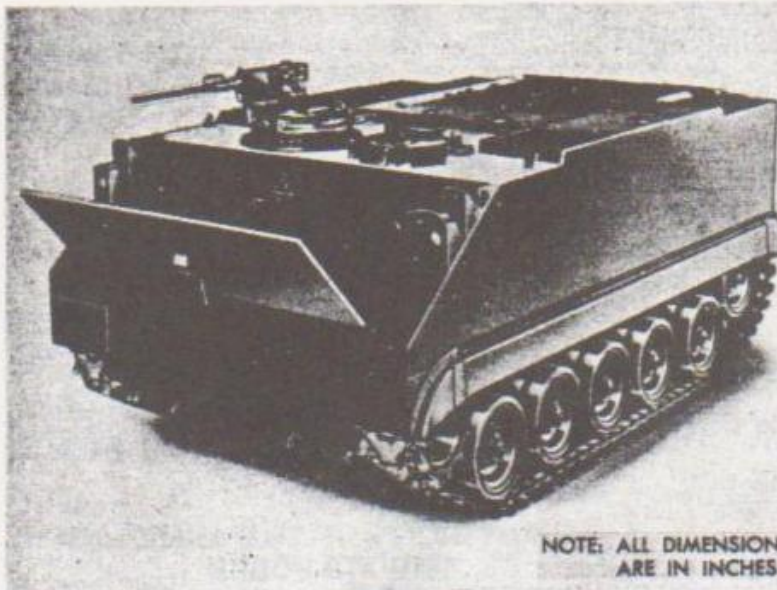
Delete the following items in their entirety:

	Page
BULLDOZER, tank mounting, M1 and M1A1 ..	19
BUS, 37-passenger, 5- to 6-ton, 4 x 2 (Mack, Model EH)	32
CARRIAGE, MOTOR, 105-mm howitzer, M7 ..	43

	Page
HOWITZER, 155-mm, SELF-PROPELLED, T99E1	68
MOTORCYCLE, SOLO, extra light, M1 (In- dian, Model 148)	75
SEMITRAILER, VAN, 3-ton, 2-wheel (All Models)	81
SEMITRAILER, STAKE and platform, 3½- ton, 2-wheel (All Models)	82
TRAILER, CARGO, 8-ton, tracked: (Athey, Model BT898-1)	146
(Athey, Model BT898-4)	147
TRAILER, CARGO, 20-ton, tracked (Athey, Model ET1076-1)	149
TRUCK, CARRYALL, ½-ton, 4 x 2 (Dodge, Models WC-36, T112; WC-48, T112)	157
TRUCK, PICKUP, ½-ton, 4 x 2 (Chevrolet, Models KC, 1940; AK, 3104, 1941; BK, 3104, 1942)	161
TRUCK, DUMP, 2½-ton, 4 x 2 (IHC, Model K77, 1942, 1943)	215
(Mack, Model EES, 1940)	217

Add the following items in alphabetical se-
quence throughout the technical manual.

CARRIER, PERSONNEL, FULL TRACKED: ARMORED, M59



NOTE: ALL DIMENSIONS SHOWN
ARE IN INCHES

RA PD 368640

Technical Manual: 9-7002, 9-7003; Supply Manual: SNL G-280

Classification: Standard.

Purpose: To transport cargo and/or personnel in combat zones or use as a weapons carrier.

Armament: 1 gun machine, cal. .50, Browning, M2, heavy barrel (flexible) in AA mount on commanders cupola.

Ammunition: 2,000 rounds cal. .50; 180 rounds cal. .45.

Fire Control and Vision Devices: Periscope, M17 (driver's); Periscope, M19.

Communications: (AN/GRC-3, -4, -5, -6, -7, or -8) or (AN/VRC-7) or (AN/VRC-13, -14, or -15) or (AN/VRC-20, -21, or -22) or (AN/GRC-19) and AN/UIC-1) or (AN/PRC-8, -9, or -10) and (AN/UIC-1) or (AN/GRC-3, -4, -5, -6, -7, or -8) and (AN/GRC-19) or (AN/VRC-13, -14, or -15) and (AN/GRC-19) or (AN/VRC-20, -21, or -22) and (AN/GRC-19) (AN/GRC-3, -4, -5, -6, -7, or -8) and (AN/ARC-3) or (AN/GRC-3, -4, -5, -6, -7, or -8) and (AN/ARC-27) or (AN/GRC-3, -4, -5, -6, -7, or 8) and (AN/ARC-3) and (AN/GRC-19) or (AN/GRC-3, -4, -5, -6, -7, or -8) and (AN/ARC-27) and (AN/GRC-19) or (AN/VRG-1, -2, or -3) and (AN/UIC-1) and (AN/GRC-19).

GENERAL DATA

Crew 1; Passengers (including crew) 12
 Weight (lb) Net 38,700; Payload 3,100; Gross 41,800
 Shipping dimensions, uncrated (cu ft) 1,520; (sq ft) 156
 Ground pressure (3-in. penetration) (psi) 7.1
 Ground clearance (in.) 15
 Minimum freeboard, loaded (in.) 13
 Towing pintle height, vehicle loaded (in.) 28 1/4

Cargo space (cu ft) 266
 Loading ramp operating system hydraulic, power driven
 Electrical system (volts) 24
 No. of batteries 2
 Type of ground negative
 Fuel octane rating 80
Capacities:
 Fuel tank (gal) 135
 Cooling system (each) (qt) 28
 Crankcase, refill (with filter) (each) (qt) 11
 Transmission, hydra-matic, complete system (each) (qt) 14
 Right-angle gearbox (each) (qt) 2
 Controlled differential, including cooler (qt) 24
 Final drive (each) (qt) 6 1/2
 Carburetor air cleaner (each) (qt) 2
 Hydraulic system (qt) 6 1/2

Brakes:
 Manufacturer Food Machinery and Chemical Corporation
 Type hand-lever-controlled, mechanical, controlled-differential steering brakes.
 Parking brakes ratchet locks on steering brakes

No. of ranges 2
Overall ratios, engines to final drive output:
 Low range: First 77.51:1 High range: First 30.09:1
 Second 49.96:1 Second 19.40:1
 Third 29.45:1 Third 11.43:1
 Fourth 19.00:1 Fourth 7.38:1
 Reverse 55.25:1 Reverse 33.48:1

PERFORMANCE

Maximum required grade ability (percent) 60
 Turning radius, outside (ft) 23
 Fording depth unlimited
 Maximum width of ditch vehicle can cross (in.) 87
 Maximum vertical obstacle vehicle can climb (in.) 26
 Fuel consumption (average condition) (mpg) 1.0
 Cruising range (average conditions) 120
 Maximum speed, land (mph) 32

Maximum speed, water, approx.....(mph) 4.3
 Maximum recommended towed load, gross.....(lb) 14,000

Torque (max w/std accessories).....254 lb-ft at (rpm) 1,500
 Type of ignition:.....24-volt, battery, distributor

ENGINES

Number for each vehicle.....2
 Manufacturer: General Motors Corporation.....Model 302
 Type:.....4-cycle, valve-in-head; No. of cylinders (in line) 6
 Displacement.....cu in.: 301.6
 Bore.....(in.) 4.0
 Stroke.....(in.) 4.0
 Compression ratio.....7.2:1
 Governed speed, full load.....(rpm) 3,400
 Brake horsepower (max w/std accessories).....127 at (rpm) 3,350

ADDITIONAL DATA

Fully loaded, the M59 can traverse inland waterways under its own power without any special preparation or equipment. Standard T91E3 track provides propulsion and steering in water as well as on land. The vehicle's even distribution of weight results in uniform loading of suspension on land and level trim in water. Roof location of air intake and slight pressurization of personnel compartment minimize entrance of dust stirred up by the tracks.



Dimensions (including protrusions):
 Length.....ft. 11.0
 Width.....ft. 6.0
 Height.....ft. 6.0

Dimensions (including protrusions):
 Length.....ft. 11.0
 Width.....ft. 6.0
 Height.....ft. 6.0

ENGINE DATA

Engine type.....
 Displacement.....
 Bore.....
 Stroke.....
 Compression ratio.....
 Governed speed.....
 Brake horsepower.....

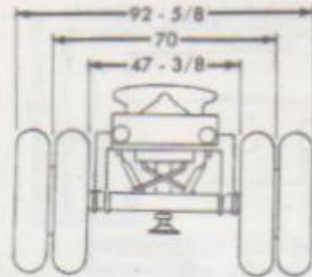
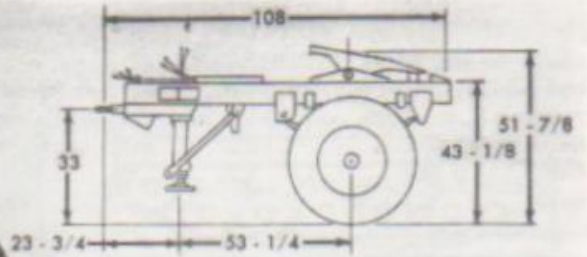
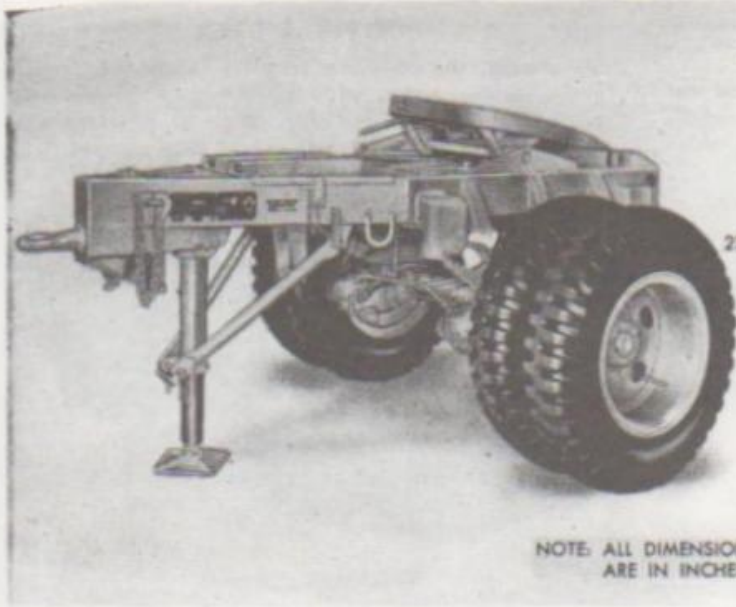
ADDITIONAL DATA

Weight.....
 Maximum speed.....
 Torque.....
 Type of ignition.....

ADDITIONAL DATA

ADDITIONAL DATA

DOLLY, TRAILER CONVERTER: 6-TON, 2-WHEEL, M197



NOTE: ALL DIMENSIONS SHOWN
ARE IN INCHES

RA PD 368637

Technical Manual: 9-5202; Supply Manual: SNL G-500

Classification: Pending. (Recommended Standard).

Purpose: To convert 6-ton series semitrailers into full trailers.

GENERAL DATA

Weight (lb).....Net 2,970; Payload 12,000; Gross 14,970

Weight distribution (lb):

Empty.....axle 2,730; lunette 240

Loaded.....axle 14,574; lunette 396

Tires.....Ply 8; Size 9:00 x 20

Shipping dimensions, uncrated.....(cu ft) 306; (sq ft) 72½

Vehicle dimensions (in.):

Length 112.....Width 92½.....Height 51½

Ground clearance.....(in.) 17½

Height to center of fifth wheel.....(in.) 51½

Fifth wheel.....Size (in.) 34

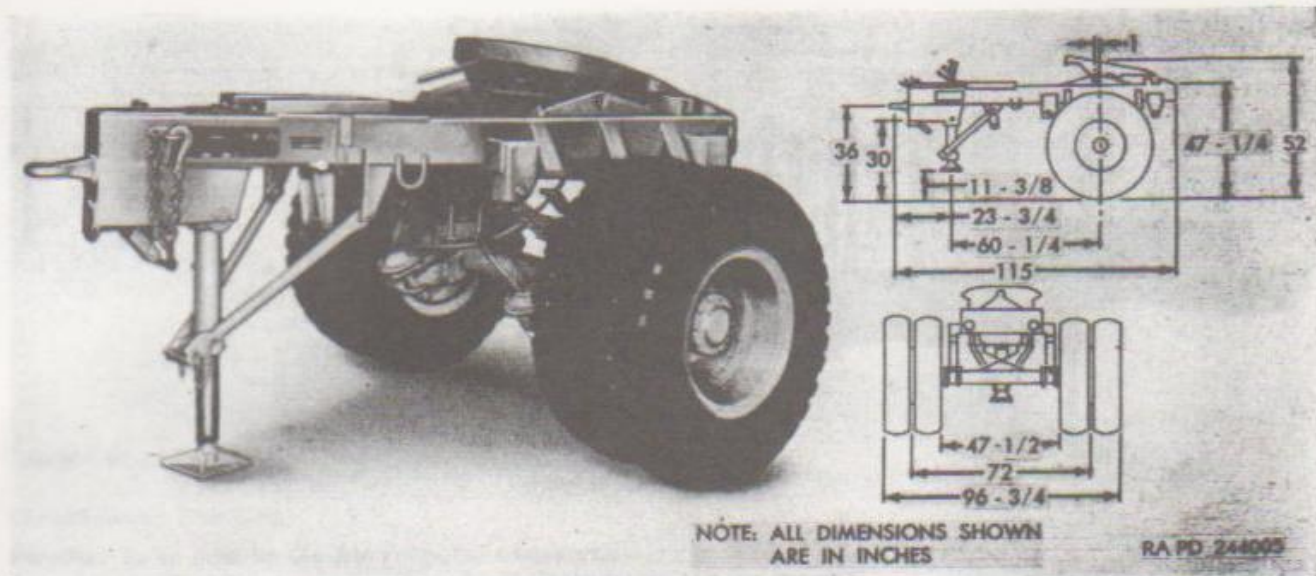
Brakes:

Manufacturer: Midland.....type "S" cam 2 shoe

Parking brake.....none

ADDITIONAL DATA

DOLLY, TRAILER CONVERTER: 8-TON, 2-WHEEL, M198



Technical Manual: 9-8202; Supply Manual: SNL G-800

Classification: Pending. (Recommended Standard).

Purpose: To convert 8-ton series semitrailers into full trailers.

GENERAL DATA

Weight (lb).....Net 3,500; Payload 16,000; Gross 19,500

Weight distribution (lb):

Empty.....axle 3,150; lunette 300

Loaded.....axle 18,958; lunette 492

Tires.....Ply 10; Size 11:00 x 20

Shipping dimensions, uncrated.....(cu ft) 351; (sq ft) 81

Vehicle dimensions (in.):

Length 120.....Width 96 $\frac{3}{4}$Height 52

Ground clearance.....(in.) 19

Height to center of fifth wheel.....(in.) 56

Fifth wheel.....Size (in.) 34

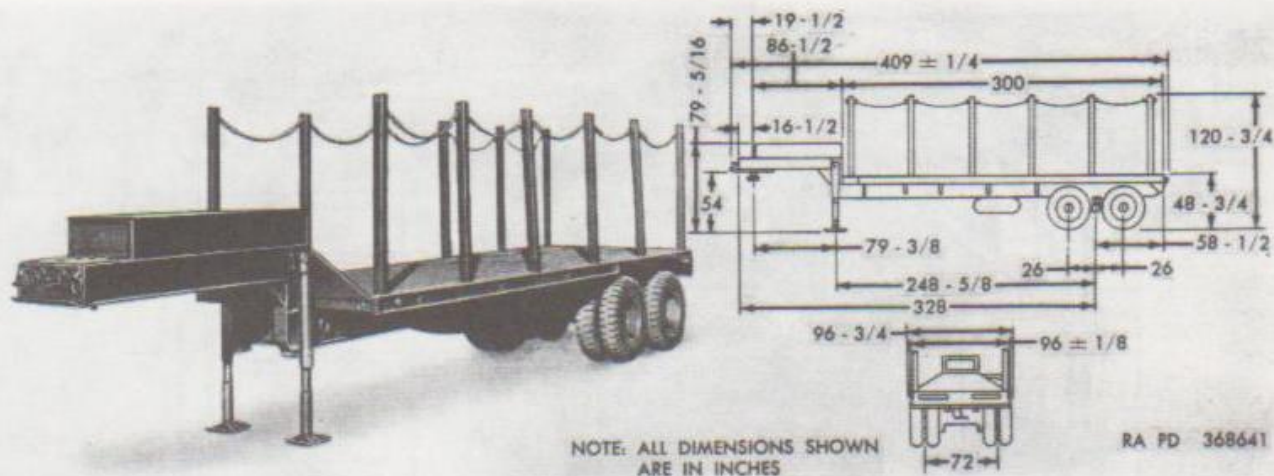
Brakes:

Manufacturer: Midland.....type "S" cam 2 shoe

Parking brake, type.....none

ADDITIONAL DATA

SEMITRAILER. LOW BED: WRECKER, 12-TON, 4-WHEEL, M269



Classification: Standard.

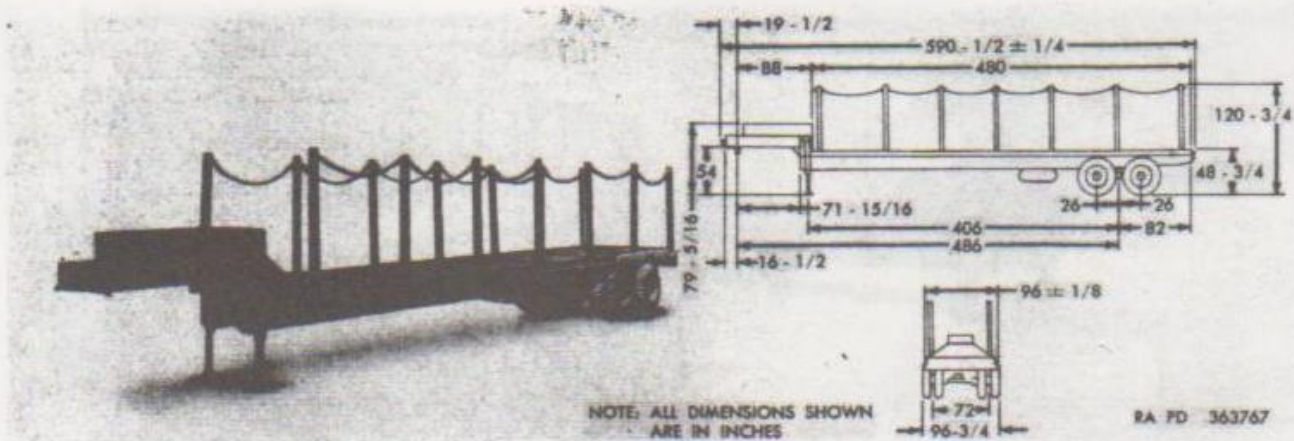
Purpose: Intended primarily for use by the Air Force for transporting new or salvaged aircraft, and is also suitable for general purpose hauling.

GENERAL DATA

Weight (lb) Net	14,200
Payloadon inferior roads 24,000; on highway 40,000	
Grosson inferior roads 38,200; on highway 54,200	
Weight distribution (lb):	
Empty	fifth wheel 3,680; axle 10,520
Loaded:	
On inferior roads	fifth wheel 10,160; axle 28,040
On highway	fifth wheel 18,200; axle 36,000
Tires	Ply 12; Size 11:00 x 20; Pressure (psi) 70
Shipping dimensions, uncrated	(cu ft) 1,816; (sq ft) 202
Vehicle dimensions:	
Ground clearance	(in.) 18
Loading height	(in.) 48 3/4
Height of fifth wheel, landing gear down.....	(in.) 54
Overall dimensions (in.):	
Length	409
Width	96 3/4
Height landing gear retracted.....	reducible to 60
Brakes:	
Manufacturer: Bendix-Westinghouse	type, air
Parking brake	none
Minimum towing vehicle to be used	Truck Tractor: M246, M52, or equal

ADDITIONAL DATA

SEMITRAILER, LOW-BED: WRECKER, 12-TON, 4-WHEEL, M270



Classification: Standard.

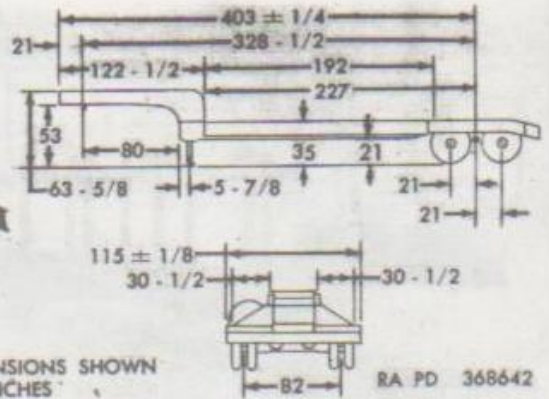
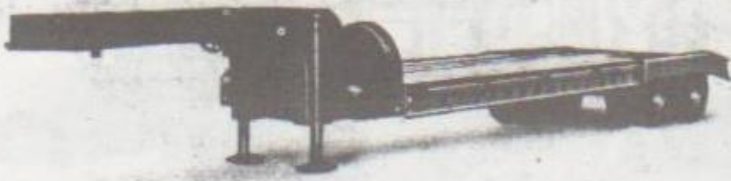
Purpose: To be used by the Air Force for transporting new or salvaged aircraft, and is suitable for general purpose hauling.

GENERAL DATA

Weight (lb) Net	17,500
Payload	on inferior roads 24,000 ; on highway 40,000
Gross	on inferior roads 41,500 ; on highway 57,500
Kingpin load: (w/payload distributed uniformly):	
On inferior roads	12,900
On highway	21,500
Tires	Ply 12; Size 11:00 x 12; Pressure (psi) 70
Shipping dimensions, uncrated	(cu ft) 1,770; (sq ft) 393
Vehicle dimensions:	
Ground clearance	(in.) 18
Loading height	(in.) 49
Height of fifth wheel plate above ground	(in.) 54
Overall dimensions (in.):	
Length	590 1/2
Width	96 3/4
Height	landing gear retracted, reducible to 60
Brakes:	
Manufacturer: Bendix-Westinghouse	type, air
Parking brake, type	none
Minimum towing vehicle to be used	Truck Tractor, M246, M52, or equal

ADDITIONAL DATA

SEMITRAILER, LOW BED: 25-TON, 4-WHEEL, M172



NOTE: ALL DIMENSIONS SHOWN
ARE IN INCHES

RA PD 368642

Technical Manual: 9-8222; Supply Manual: SNL G-797

Classification: Standard.
Purpose: To transport general cargo.

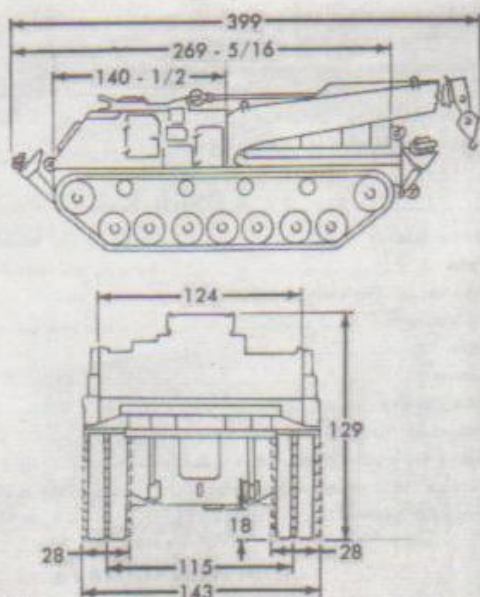
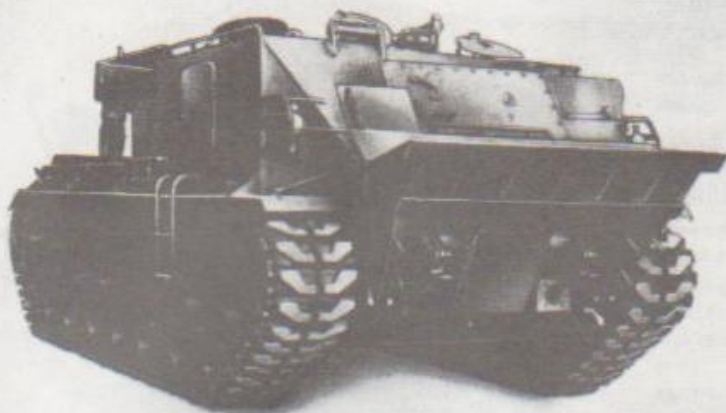
GENERAL DATA

- Weight (lb)** Net 15,500; Payload 50,000; Gross 65,500
- Weight distribution (lb):**
 - Empty fifth wheel 4,650; rear wheels 10,850
 - Loaded fifth wheel 24,650; rear wheels 40,850
- Tires** Ply 14; Size 10:00 x 15; Pressure (psi) 85
- Shipping dimensions, uncrated** (cu ft) 1,273; (sq ft) 324
- Vehicle dimensions:**
 - Ground clearance (in.) 13 3/4
 - Loading height, empty 35
 - Overall dimensions (in):
 - Length 405 width 115; Height 63 1/2
- Brakes:**
 - Manufacturer: Bendix-Westinghouse type, air
 - Parking brake, type mechanical
- Towing vehicle to be used** M52 Truck Tractor or equal

ADDITIONAL DATA

(Faint, mostly illegible text in this section, possibly bleed-through from the reverse side of the page.)

TANK RECOVERY VEHICLE: HEAVY, M51



NOTE: ALL DIMENSIONS SHOWN
ARE IN INCHES

RA PD 368646

Technical Manual: 9-7009-1

Classification: Standard.

Purpose: To recover disabled tanks and mechanized equipment.

Armament: 1 Gun, machine, cal. .50, Browning, M2 heavy barrel, (flexible) mounted on AA mount on commanders cupola.

Ammunition: 1,500 rounds, cal. .50 machinegun; 180 rounds cal. .45, submachine; 540 rounds cal. .30, carbine; 6 rounds for launcher, rocket, M20; 8 hand grenades.

Fire Control and Vision Devices: Periscope, M17; Periscope, M19.

Communications: (AN/GRC-3, 4, 7, or 8 and AN/UIC-1).

GENERAL DATA

Crew	4
Weight, fighting	120,000
Shipping dimensions, uncrated	(cu ft) 4,260; (sq ft) 400
Ground Pressure	(psi) 12.2
Pintle heights, loaded	(in.) 36
Boom:	
Height above ground in traveling position	(in.) 129
Height above ground in lifting position	(max) (in.) 209
Electrical system	(volts) 24
No. of batteries	2
Type of ground	negative
Fuel octane rating	80

AGO 4006A

Capacities:

Fuel	(gal) 400
Oil tank (hydraulic system)	(qt) 140
Main winch chain case	(qt) 7
Main winch oil capacity	(qt) 36
Auxiliary winch oil capacity	(qt) 10
Main winch load capacity	(lb) 100,000
Auxiliary winch load capacity	(lb) 10,000
Hook and boom lifting capacity	(lb) 60,000
Hook and boom lifting and moving capacity	(lb) 10,000
Transmission and final drives	(qt) 68

Transmission:

Manufacturer: Allison	Model XT-1400-2A
Type	Cross-Drive
Number of speeds	3 forward, 1 reverse
Planet gear ratio:	
Low	4.57:1
Intermediate	2.14:1
High	1.00:1
Reverse	4.95:1
Bevel gear ratio	1.09:1
Steer planet ratio	1.35:1
Converter ratio	(max at stall) (approx) 3.8:1
Final output reduction ratio	4.63:1
Total gear ratio (not including torque converter):	
Low	31.09:1
Intermediate	14.56:1
High	6.80:1
Reverse	33.65:1
Steering	regenerative, geared, triple differential
Brake—Self-energized, multiple plate, wet,	
in final output	reduction sections
Construction	fabricated
Turret	none

PERFORMANCE

Maximum grade ability	(percent) 60
Turning radius	(ft) pivot steer

Forging depth (in.) 60
 Maximum width of ditch vehicle can cross (in.) 96
 Maximum vertical obstacle vehicle can climb (in.) 36
 Fuel consumption (average conditions):
 (W/o towed load on highway) (mpg) 0.375
 Cruising range (average conditions):
 (W/o towed load on highway) 150
 Allowable speed, governed (mph) 35
 Maximum allowable towed load, gross (lb) 120,000

ENGINE

Manufacturer Continental; Model AVSi-1790-6
 Type 4-cycle, valve-in-head; air-cooled
 Number of cylinders (90° V) 12
 Displacement (cu in.) 1,790
 Bore (in.) 5.75
 Stroke (in.) 5.75
 Compression ratio 5.5:1
 Governed speed (rpm) 2,800
 Brake horsepower (max w/std accessories) 1020 at (rpm) 2,800
 Torque (max w/std accessories) 1,900 lb ft at (rpm) 2,200
 Type of ignition high tension magneto

ADDITIONAL DATA

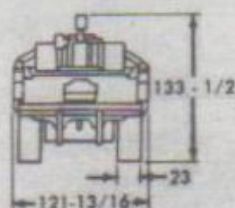
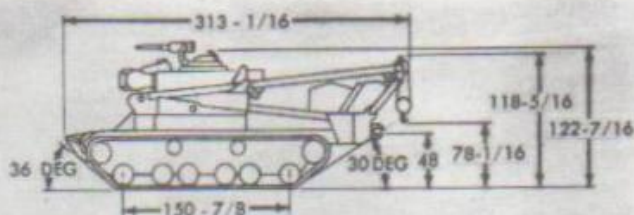
(Faint, mostly illegible text in the left column of the 'ADDITIONAL DATA' section)

(Faint, mostly illegible text in the right column of the 'ADDITIONAL DATA' section)

GENERAL DATA

(Faint, mostly illegible text in the right column of the 'GENERAL DATA' section)

TANK RECOVERY VEHICLE: MEDIUM, M74



NOTE: ALL DIMENSIONS SHOWN ARE IN INCHES

RA PD 368644

Supply Manual: SNL G-281

Classification: Standard.

Purpose: To recover disabled tanks and mechanized equipment.

Armament: 1 gun, machine, cal. .50, M2, heavy barrel (flexible) mounted on Commander's Cupola; 1 gun, machine, cal. .30, M1919A4 (flexible) mounted in Bow Mount.

Ammunition: 2,000 rounds, cal. .30, machine gun; 1050 rounds, cal. .50, machine gun, 180 rounds, cal. .30, carbine; 180 rounds cal. .45, submachinegun; 6 rounds for 3.5" Launcher, Rocket; 8 hand grenades.

Fire-control and Vision Devices: Periscope, M13 or M13B1; Periscope, M19.

Communications: (AN/GRC-3, -4, -6 or -8) or (AN/VRC-13, -14, or -15) or (AN/UIC-1).

GENERAL DATA

Crew	4
Weight, fighting	(lb) 93,750
Shipping dimensions, uncrated	(cu ft) 2611.2; (sq ft) 264
Ground pressure	(psi) 13 1/2
Ground clearance	(in.) 15 1/2
Pintle height, loaded	(in.) 48
Electrical system	(volts) 24
No. of batteries	4
Type of ground	negative
Fuel octane rating	80
Capacities:	
Fuel	(gal) 168
Oil reservoirs (hydraulic)	(gal) 80
Winch oil capacity (main tow)	(qt) 36
Winch oil capacity (boom hoist)	(qt) 16
Winch oil capacity (auxiliary)	(qt) 6
Winch load capacity (main tow)	(lb) 90,000
Winch load capacity (boom hoist)	(single line) (lb) 25,000
	(double line) (lb) 50,000
Winch load capacity (auxiliary)	(lb) 10,000
Winch and boom lifting capacity	w/spade (lb) 50,000

Winch and boom lifting and moving capacity	w/o spade (lb) 30,000
Transmission, differential and final drives	(qt) 164
Brakes, (type)	mechanical-controlled differential steering lever
Parking brake, type	steering lever
Transmission:	
No. of forward speeds	5
Gear ratio	High 0.73:1; Fourth 1.11:1; Low 7.56:1
Differential-drive gear ratio	5.53:1
Final-drive gear ratio	3.36:1
Hull construction	rolled homogenous, armor, welded
Turret	cast and rolled homogenous, armor, welded

PERFORMANCE

Maximum grade ability	(percent) 60
Turning radius	(ft) 31
Fording depth	(in.) 56
Maximum width of ditch vehicle can cross	(in.) 90
Maximum vertical obstacle vehicle can climb	(in.) 24
Fuel consumption (average conditions)	(mpg) 0.6
Cruising range (average conditions)	(mi) 100
Allowable speed, governed	(mph) 21
Maximum allowable towed load, gross	(lb) 100,000

ENGINE

Manufacturer	Ford; Model GAA
Type	4-cycle, valve-in-head; No. of cylinders (60° V) 8
Displacement	(cu in.) 1,100
Bore	(in.) 5.4
Stroke	(in.) 6
Compression ratio	7.5:1
Governed speed	(rpm) 2,500
Brake horsepower (max w/std accessories)	525 at (rpm) 2,500
Torque (max w/std accessories)	980 lb-ft at (rpm) 2,400
Type of ignition	magneto

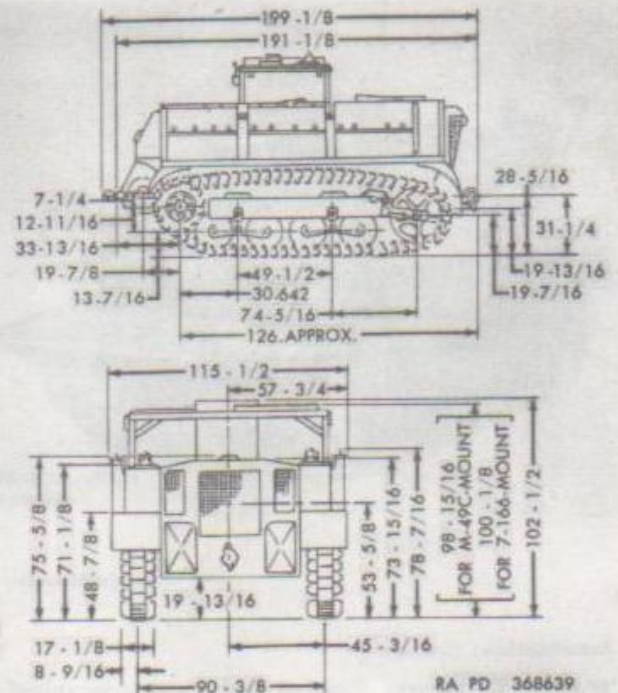
ADDITIONAL DATA

Basic chassis	TANK, MEDIUM, M4A3
Track	Steel T80E5; Rubber T84
Spade used to stabilize vehicle in heavy lifting, or winching, or as a bulldozer blade. Release, height adjustment, and stowage accomplished from within vehicle while main tow winch cable is engaged or stowed.	

TRACTOR, FULL TRACKED, HIGH SPEED: 13-TON, M5A4



NOTE: ALL DIMENSIONS SHOWN
ARE IN INCHES



RA PD 368639

Technical Manuals: 9-786, 9-1786A, 9-1786B, 9-8627, 9-1829A; Supply Manual: SNL G-162

Classification: Standard.

Armament: Ring mount for gun, machine, cal. .50, Browning, M2, heavy barrel, flexible.

Ammunition: 56 rounds, 105-mm or 24 rounds, 155-mm with extra fuzes and primers, 525 rounds cal. .50.

Purpose: General utility tractor.

GENERAL DATA

Crew	12
Weight, fighting	(lb) 29,804
Shipping dimensions, uncrated	(cu ft) 1,332; (sq ft) 159
Ground pressure	(psi) 11.1
Ground clearance	(in.) 19 5/8
Electrical system	(volts) 12
No. of batteries	1
Type of ground	negative
Fuel octane rating	72
Capacities:	
Fuel	(gal) 100
Cooling system	(qt) 80
Crankcase, refill	(qt) 22
Winch:	
Oil capacity	(qt) 1 1/4
Load capacity	(lb) 15,000
Transmission and differential	(qt) 45
Final drive	(qt) 3
Brakes	mechanical
Differential-drive gear ratio	2.6:1
Final drive gear ratio	2.353:1
Transmission:	
Forward speeds	4
Gear ratio	High 6.117:1; Low 76.317:1

PERFORMANCE

Maximum grade ability	(percent) 72
Turning radius	(ft) 20
Fording depth	(in.) 53
Maximum width of ditch vehicle can cross	(in.) 66
Maximum vertical obstacle vehicle can climb	(in.) 18
Fuel consumption (average conditions)	(mpg) 1 1/2
Cruising range (average conditions)	(mi) 160
Allowable speed, recommended	(mph) 30
Maximum allowable towed load, gross	(lb) 20,300

ENGINE

Manufacturer: Continental	Model R-6572
Type	4-cycle, valve-in-head; No. of cylinders (in line) 6
Displacement	(cu ft) 571.7
Bore	(in.) 4 3/4
Stroke	(in.) 5 1/4
Compression ratio	6.5:1
Governed speed	(rpm) 2,900
Brake horsepower (max w/std accessories)	207 at (rpm) 2,900
Torque (max w/std accessories)	455 lb-ft at (rpm) 1,600
Type of ignition	distributor

ADDITIONAL DATA

TRAILER, FLAT BED: GUIDED MISSILE, M261



Supply Manual: SNL G-789

Classification: Pending.

Purpose: To transport missile and booster. Vehicle is not to be used for general or miscellaneous hauling.

GENERAL DATA

Weight (lb).....Net 7,694; Payload 3,245; Gross 10,939
 Tires.....ply 8; size 9.00 x 16; Pressure (psi) 34
 Shipping dimensions, uncrated.....(cu ft) 1,888; (sq ft) 307
 Vehicle dimensions:
 Ground clearance.....(in.) 14 1/4
 Loading height.....(in.) 46 7/16
 Tread, center-to-center (front).....(in.) 73
 Fifth wheel:
 Size.....(in.) 42
 Type.....cone
 Brakes:
 Manufacturer: Warner Electric Brake Mfg Co.....type: electric
 Parking brake, type.....hand operated, electric
 Towing vehicle.....truck, 2 1/2-ton, 6 x 6

ADDITIONAL DATA

Special Equipment:

Extension ramps. Vehicle equipped with two telescoping-type extension ramps. When the ramps are emplaced between the trailer and the loading racks, the launching and transporting rail (with or without the missile and booster) can be rolled off the trailer, across the extension ramps, and onto the loading rack.

Missile hoist beam. This hoist beam, when attached to mobile crane, is used to lift missile from transporting rail and place it on universal-handling dolly for draining of the fuel and oxidizer tank.

Handling-ring segments. Each trailer is equipped with eight handling ring segments that, when assembled, form two complete rings by which the missile is handled.

Universal-handling dolly. The purpose of this dolly is to hold the missile for emergency draining of fuel or oxidizer tank.

TRAILER, DROP BED: ANTENNA MOUNT, M260



Supply Manual: SNL G-789

Classification: Pending.

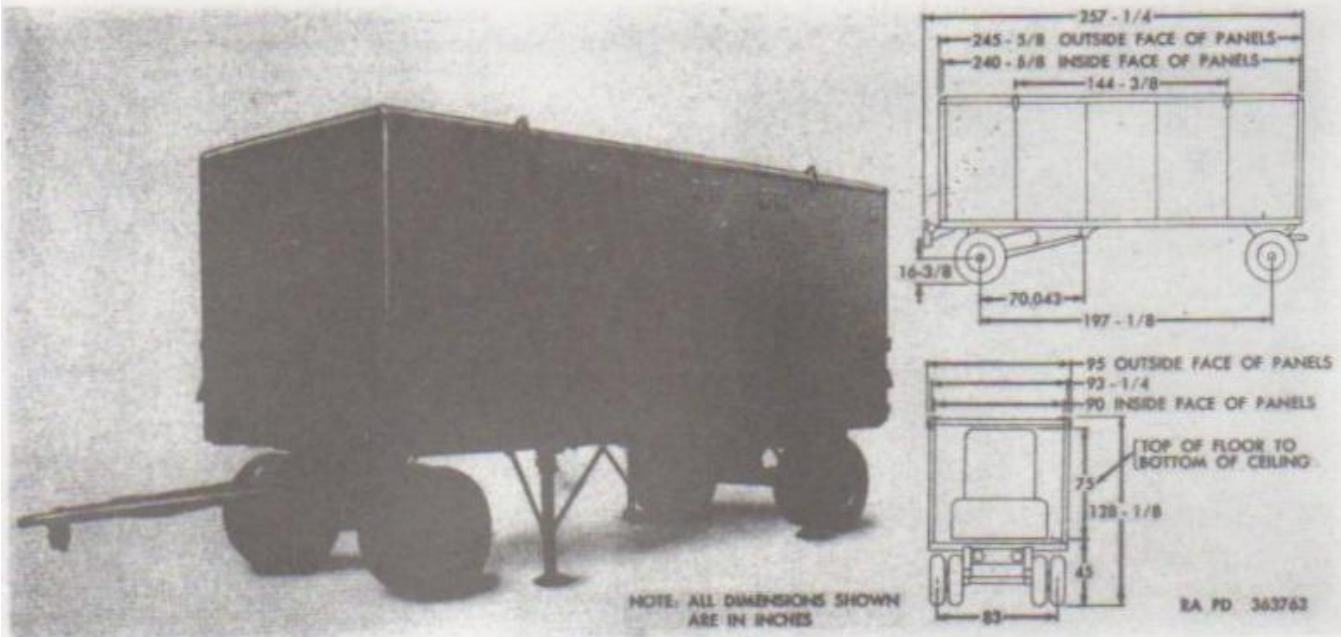
Purpose: To accommodate and transport target tracking radar equipment.

GENERAL DATA

Weight (lb)..... Net 5,156; Payload 4,750; Gross 9,906
 Tires..... Ply 8; Size 9.00 x 16; Pressure (psi) 32
 Shipping dimensions, uncrated..... (cu ft) 650; (sq ft) 224
Vehicle dimensions:
 Ground clearance..... (in.) 14 1/4
 Loading height..... (in.) 45 1/2
 Lunette height (adjustable)..... (in.) 27 1/2
 Pintle height..... none
 Tread, center-to-center..... (in.) 60
Fifth wheel:
 Height..... (in.) 39 1/4
 Size..... (in.) 38
 Type..... kingpin with drawbar
Brakes:
 Manufacturer: Warner Electric Brake Mfg Co..... Type: electric
 Parking brake, type..... hand operated, electric
Towing facilities..... lunette and drawbar
Towing vehicle..... truck, 2 1/2-ton, 6 x 6

ADDITIONAL DATA

TRAILER, VAN: DIRECTOR STATION, M259



Supply Manual: SNG G-789

Classification: Pending.

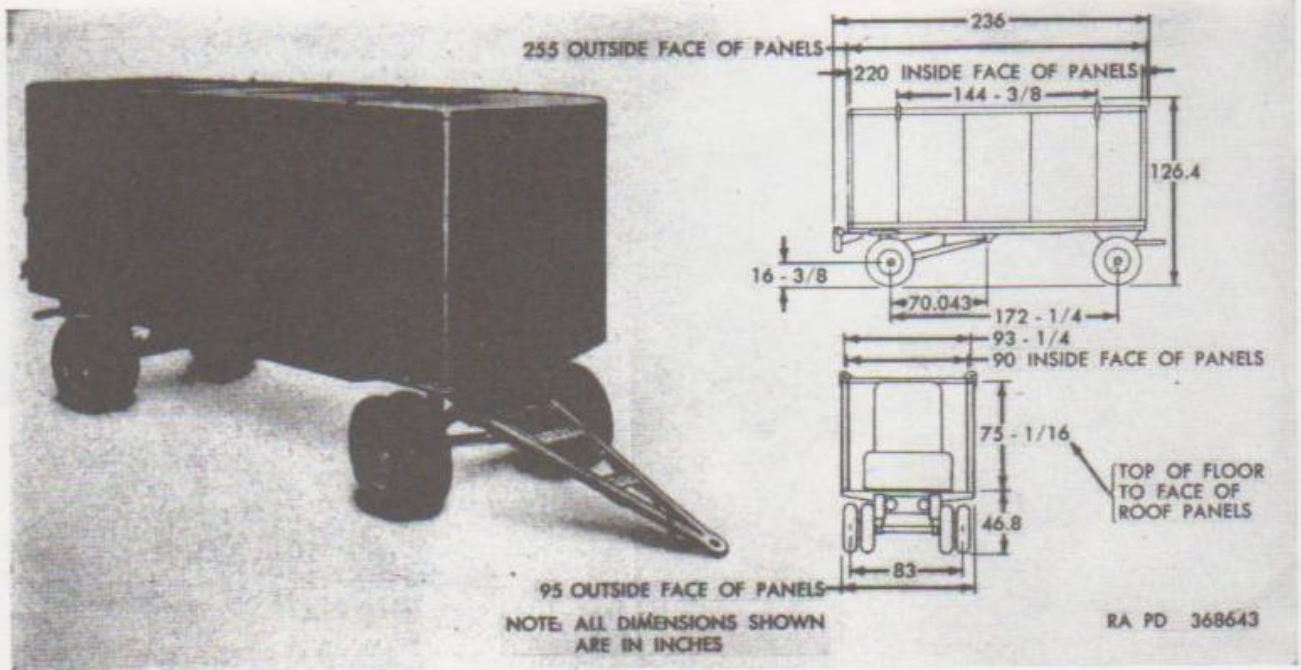
Purpose: To house battery control equipment and personnel.

GENERAL DATA

Weight (lb) Net 7,054; Payload 4,895; Gross 11,949
 Tires Ply 8; Size 9.00 x 16; Pressure (psi) 32
 Shipping dimensions, uncrated (cu ft) 1,794; (sq ft) 218
Vehicle dimensions:
 Ground clearance (in.) 14 $\frac{1}{4}$
 Loading height (in.) 45
 Lunette height (adjustable) (in.) 27 $\frac{3}{8}$
 Pintle height none
 Tread, center-to-center (in.) 60
Fifth wheel:
 Height (in.) 38 $\frac{1}{4}$
 Size 38
 Type kingpin with drawbar
Brakes:
 Manufacturer: Warner Electric Brake Mfg Co. Type: electric
 Parking brake, type hand operated, electric
 Towing facilities lunette and drawbar
 Towing vehicle truck, 2 $\frac{1}{2}$ -ton, 6 x 6

ADDITIONAL DATA

TRAILER, VAN: FIRE CONTROL, 2-TON, 4-WHEEL, M244



Supply Manual: SNL G-789

Classification: Standard.

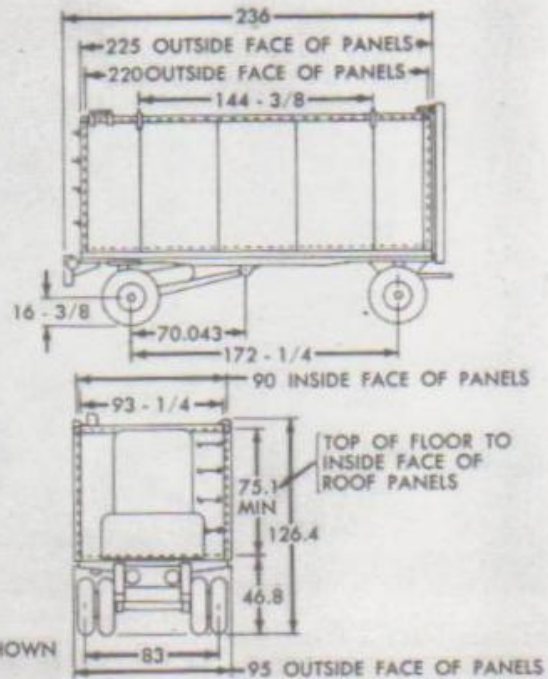
Purpose: To transport components of the acquisition antenna assembly and spare parts and to serve as a work space for the M33C and M33D fire control systems.

GENERAL DATA

Weight (lb)..... Net 7,122; Payload 4,950; Gross 12,072
 Tires..... Ply 8; Size 8.00 x 16; Pressure (psi) 32
 Shipping dimensions, uncrated..... (cu ft) 1,622; (sq ft) 298
Vehicle dimensions:
 Ground clearance 14 1/4
 Loading height (in.) 47
 Lunette height (adjustable) (in.) 27 1/2
 Pintle height none
 Tread, center-to-center (in.) 60
Fifth wheel:
 Height (in.) 39 1/2
 Size (in.) 38
 Type kingpin with drawbar
Brakes:
 Manufacturer; Warner Electric Brake Mfg Co. Type: electric
 Parking brake, type hand operated, electric
Towing facilities: lunette and drawbar
Towing vehicle: truck, 2 1/2-ton, 6 x 6

ADDITIONAL DATA

TRAILER, VAN: LAUNCHING CONTROL, M262



NOTE: ALL DIMENSIONS SHOWN ARE IN INCHES

RA PD 363765

Supply Manual: SNL G-769

Classification: Pending.

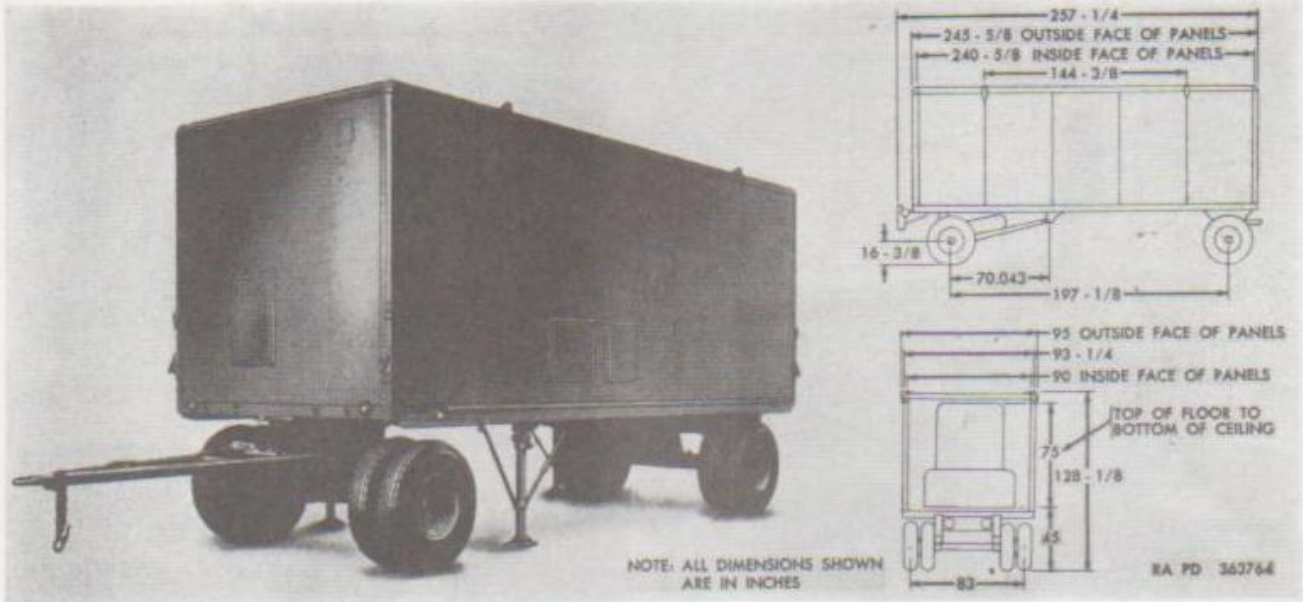
Purpose: To house launcher control equipment and personnel.

GENERAL DATA

Weight (lb)..... Net 6,978; Payload 5,529; Gross 12,507
 Tires..... Ply 8; Size 9.00 x 16; Pressure (psi) 32
 Shipping dimensions, uncrated..... (cu ft) 1,622; (sq ft) 208
 Vehicle dimensions:
 Ground clearance..... (in.) 14 1/4
 Loading height (adjustable)..... (in.) 27 1/2
 Pintle height..... none
 Tread, center-to-center..... (in.) 60
 Fifth wheel:
 Height..... (in.) 39 1/4
 Size..... (in.) 38
 Brakes:
 Manufacturer: Warner Electric Brake Mfg Co..... Type; electric
 Parking brake, type..... hand-operated, electric
 Towing facilities..... lunette and drawbar
 Towing vehicle..... truck, 2 1/2-ton, 6 x 6

ADDITIONAL DATA

TRAILER, VAN: RADAR TRACKING CENTRAL, M258



Supply Manual: SNL G-759

Classification: Pending.

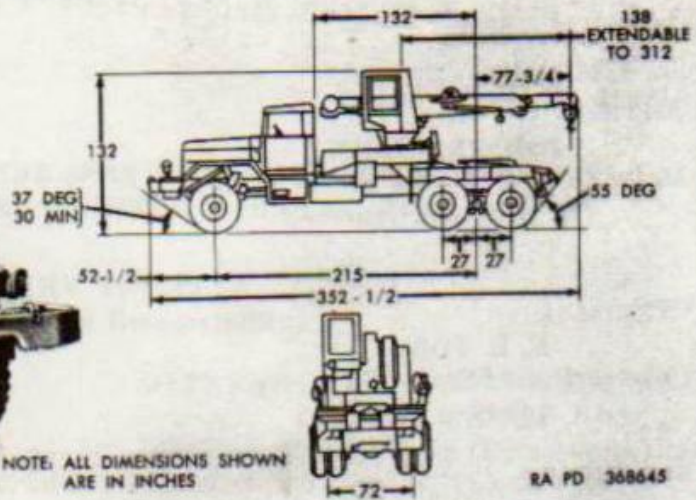
Purpose: To house radar control equipment and personnel.

GENERAL DATA

Weight (lb).....Net 7,054; Payload 4,895; Gross 11,949
 Tires.....Ply 8; Size 9.00 x 16; Pressure (psi) 32
 Shipping dimensions, uncrated.....(cu ft) 1,794; (sq ft) 216
Vehicle dimensions:
 Ground clearance.....(in.) 14 $\frac{1}{4}$
 Loading height.....(in.) 45
 Lunette height.....(in.) 27 $\frac{1}{2}$
 Pintle height.....none
 Tread, center-to-center.....(in.) 60
Fifth wheel:
 Height.....(in.) 38 $\frac{1}{4}$
 Size.....(in.) 38
 Type.....kingpin with drawbar
Brakes:
 Manufacturer; Warner Electric Brake Mfg Co.....Type; electric
 Parking brake, type.....hand operated, electric
 Towing facilities.....lunette and drawbar
 Towing vehicle.....truck, 2 $\frac{1}{2}$ -ton, 6 x 6

ADDITIONAL DATA

TRUCK TRACTOR, WRECKER: 5-TON, 6 x 6, M246



Technical Manuals: 9-8028, 9-8029-3; Supply Manual: SNL G-744

Classification: Standard.

Purpose: To salvage crashed aircraft, and to perform general towing.

GENERAL DATA

Crew	2
Weight (lb):	Net 32,830
Payload	off highway 12,000; on highway 16,000
Gross	off highway 45,000; on highway 49,350
Live-axle gear ratio	6.443:1
Axle load (lb):	
Empty	front 12,785; rear (each) 10,028
Loaded	front 13,026; rear (each) 18,077
Tires:	
Ply 12; Size 11.00 x 20	pressure (psi) 70
Tread, center-to-center, front	(in.) 73 1/2
Shipping dimensions, uncrated	(cu ft) 2,626; (sq ft) 238
Vehicle dimensions (in.):	
Ground clearance	10 1/2
Loading height, empty (fifth wheel)	57
Pintle height, loaded	29 1/2
Electrical system	(volts) 24
No. of batteries	2
Type of ground	negative
Fuel octane rating	80
Capacities:	
Fuel	(gal) 78
Cooling system	(qt) 44
Crankcase (refill)	(qt) 18
Transmission (w/power-take-off)	(qt) 11
Transfer	(qt) 5.2
Axles (qt)	front 12; rear (each) 12
Winch	(lb) 20,000
Crane lift capacity (max)	(lb) 20,000
Brakes:	
Manufacturer; Timken	type; air-hydraulic
Parking brake, type	dual grip

Transmission forward speeds	5
Gear ratio:	High 1.00:1; fourth 1.43:1; Low: 7.31:1
Transfer speeds	2
Gear ratio: High front: 1.068:1, rear: 1.00:1; Low front: 2.163:1, rear: 2.024:1	

PERFORMANCE

Computed grade ability in lowest gear	(percent) 47.62
Turning radius (max)	(ft) 47
Fording depth	(in.) 78
Fuel consumption, loaded	(mpg) 3.84
Cruising range, loaded	(mi) 3.00
Maximum recommended towed load, gross (lb):	
Semitrailer (gross weight):	
Off highway 27,500; on highway	46,000
Trailer (gross weight) (max pintle tow):	
Off highway 20,000; on highway	30,000

ENGINE

Manufacturer: Continental	Model R-6602
Type: 4-cycle, valve-in-head, No. of cylinders (in line)	6
Displacement	(cu in.) 602
Bore	(in.) 4 1/4
Stroke	(in.) 5 1/2
Compression ratio	6.40:1
Governed speed	(rpm) 2,800
Brake horsepower (max w/std accessories)	196 at (rpm) 2,800
Torque (max)	480 lb-ft at (rpm) 2,800

ADDITIONAL DATA

Crane:	Austin-Western hydraulically operated unit
Swing:	360°, limited to 270° by stops
Boom: Maximum angle of elevation, 45°. Length (retracted) 11 1/2 feet. Length (extended) 26 feet.	

[AGO 451 (13 Dec 55)]

BY ORDER OF THE SECRETARIES OF THE ARMY AND THE AIR FORCE:

MAXWELL D. TAYLOR,
*General, United States Army,
Chief of Staff.*

OFFICIAL:

JOHN A. KLEIN,
*Major General, United States Army,
The Adjutant General.*

N. F. TWINING,
Chief of Staff, United States Air Force.

OFFICIAL:

E. E. TORO,
*Colonel, United States Air Force,
Air Adjutant General.*

DISTRIBUTION:

Active Army:

CNGB (2)
Tec Svc, DA (1)
Ord Bd (2)
Hq CONARC (3)
Army AA Comd (2)
OS Maj Comd (5)
OS Base Comd (2)
Log Comd (5)
MDW (3)
Armies (5)
Corps (2)
Div (2)
Brig (1)
Regt/Gp (1) except Ord Gp (2)
Bn (1) except Ord Bn (2)
Co/Btry (1) except: Ord Co
(2), TOE 9-17R, 9-387 (None).

Ft & Cp (2)
Ord AUTMV Sch (50)
Gen & Br Svc Sch (5) except
Ord Sch (50)
Gen Depots (2) except Atlanta
Gen Depot (None)
Ord Sec Gen Depots (10)
Ord Depots (10)
Trans Terminal Comd (2)
OS Sup Agencies (2)
Ord PG (10)
Ord Arsenals (10) except
Plants and Works (None)
Mil Dist (3)
Ord Proc Dist (10)

NG: State AG (6) units—same as Active Army Except allowance is one copy per unit.

USAR: None.

For explanation of abbreviations used, see SR 320-50-1.