

TECHNICAL MANUAL

**OPERATOR'S, ORGANIZATIONAL, DIRECT SUPPORT, AND GENERAL
SUPPORT MAINTENANCE MANUAL**

FOR

**PLUG-IN UNIT, ELECTRONIC TEST EQUIPMENT PL1388/U
(HEWLETT-PACKARD MODEL 8552B)
(NSN 6625-00-431-9939)**

TECHNICAL MANUAL }
No. 11-6625-2781-14-1 }

HEADQUARTERS
DEPARTMENT OF THE ARMY
WASHINGTON, DC 18 September 1978

OPERATORS, ORGANIZATIONAL, DIRECT SUPPORT, AND GENERAL SUPPORT
MAINTENANCE MANUAL
FOR
PLUG-IN UNIT, ELECTRONIC TEST EQUIPMENT PL-1388/U
(HEWLETT-PACKARD MODEL 8552B)
(NSN 6625-00-431-9939)

REPORTING OF ERRORS

You can improve this manual by recommending improvements using DA Form 2028-2 located in the back of the manual. Simply tear out the self-addressed form, fill it out as shown on the sample, fold it where shown, and drop it in the mail.

If there are no blank DA Forms 2028-2 in the back of your manual, use the standard DA Form 2028 (Recommended Changes to Publications and Blank Forms) and forward to the Commander, US Army Communications and Electronics Materiel Readiness Command, ATTN: DRSEL-MA-Q, Fort Monmouth, NJ 07703.

In either case a reply will be furnished direct to you.

This manual is an authentication of the manufacturer's commercial literature which, through usage, has been found to cover the data required to operate and maintain this equipment. Since the manual was not prepared in accordance with military specifications, the format has not been structured to consider levels of maintenance.

CONTENTS

Section	Page	Section	Page
0 INTRODUCTION OOOOOO	0-1	V ADJUSTMENTS (cont'd)	
I GENERAL INFORMATION I I I I s I	1-1	5-11. HP 11592A Service Kit	5-1
1-1. Introduction	1-1	5-14. Extender Cable Installation	5-1
1-8. Instruments Covered by Manual	1-1	5-17. Plug-in Cover Removal	5-1
1-12. Description	1-2	5-19. Extender Connections	5-2
1-16. Options.	1-2	5-22. Factory Selected Components	5-2
1-21. Equipment Required but not Supplied	1-2	5-24. Related Adjustments	5-2
1-23. RF Section.	1-2	5-26. Checks and Adjustments	5-3
1-25. Display Section	1-2	5-27. Power Supply Check and Adjustment	5-3
1-27. Equipment Available	1-4	5-28. Horizontal Scan Check and Adjustment	5-4
1-29. Recommended Test Equipment	1-4	5-29. Final Scan Check	5-6
II INSTALLATION	2-1	5-30. Vertical Deflection Amplifier Check	5-8
2-1. Shipping Information	2-1	5-31. Log/Linear Amplifier Check and Adjustment	5-11
2-3. Initial Inspection	2-1	5-32. 300 kHz Bandpass Filter Adjustment	5-14
2-4. Mechanical Check	2-1	5-33. LC Filter Adjustment	5-15
2-6. Performance Check	2-1	5-34. Crystal Filter Fine Adjustment	5-16
2-8. Claims for Damage	2-1	5-35. Crystal Filter Coarse Adjustment	5-20
2-10. Power Requirements.	2-1	5-36. 3 MHz IF Gain Adjustment	5-22
2-12. Connections	2-1	5-37. 47 MHz LO Automatic Phase Lock Check and Adjustment	5-25
2-14. Installation Check	2-1	5-38. 50 MHz IF Bandpass Check and Adjustment	5-29
2-16. Storage and Shipment	2-1	5-39. 44 MHz Rejection Adjustment	5-32
2-17. Original Packaging	2-1	5-40. 30 MHz Calibration Oscillator Check and Adjustment	5-34
2-21. Other Packaging Materials	2-1	5-41. Analogic Check and Adjustment.	5-37
III OPERATION	3-1	VI REPLACEABLE PARTS DELETED	
3-1. Introduction	3-1	VII MANUAL CHANGES	7-1
3-3. Panel Features	3-1	7-1. Introduction	7-1
3-5. Operator's Checks	3-1	7-5. Manual Change Instructions	7-4
3-8. Operational Adjustments	3-1	VIII SERVICE	8-1
3-10. H01/H02 Instruments	3-1	8-1. Introduction	8-1
3-12. H04 Instruments	3-1	8-3. Line Voltage Requirements	8-1
3-14. Operating Instructions	3-1	8-5. Maintenance Aids	8-1
3-16. Operating Tips	3-1	8-7. Test Equipment and Accessories Required.	8-1
3-19. Operator's Maintenance	3-2	8-10. Adjustments	8-2
IV PERFORMANCE TESTS	4-1	8-12. General Procedures	8-2
4-1. Introduction	4-1	8-15. General Service Information	8-2
4-5. Front Panel Checks	4-1	8-23. Etched Circuits	8-2
4-7. Performance Tests	4-1	8-26. Component Replacement	8-4
4-12. Front Panel Check Procedure	4-1	8-27. Transistor Replacement	8-5
4-13. preset Adjustments	4-1	8-31. Diode Replacement	8-6
4-16. Display Section Adjustments	4-2	8-33. Switching Information	8-6
4-17. IF Section Display Adjustments	4-2	SERVICE SHEETS	
4-18. Ampl Cal Adjustment RF Section	4-3	1. Block Diagram	8-20
4-19. Ampl Cal Check for Linear Sensitivity Accuracy.	4-3	2. RF Section/IF Section/Display Section Interconnections	8-22
4-23. Calibrator Output.	4-5	3. 50 MHz Converter	8-24
4-24. Bandwidth Accuracy.	4-7	4. 47 MHz Automatic Phase Control and 2 MHz Voltage Tuned Oscillator.	8-26
4-25. Bandwidth Selectivity	4-9	5. 2 MHz VTO Shaping Circuit	8-28
4-26. Switching Between Bandwidths Accuracy	4-11	6. 3 MHz Amplifier (Sheet 1).	8-30
4-27. Amplitude Display Accuracy	4-12	7. 3 MHz Amplifier (Sheet 2).	8-32
4-28. Scan Time Accuracy.	4-13		
V ADJUSTMENTS	5-1		
5-1. Introduction	5-1		
5-3. Equipment Required	5-1		
5-5. Posidriv Screwdriver	5-1		
5-7. Slug Tuning Tools	5-1		
5-9. Blade Tuning Tools	5-1		

CONTENTS (cont'd)

SERVICE SHEETS (cont'd)

8. LC Bandwidth Filter 8.34
 9. Amplifier Filter Control Circuits. 8.36
 10. Crystal Filter (Sheet 1) 8-38
 11. Crystal Filter (Sheet 2) 8.40
 12. Log/Linear Amplifier (Sheet 1) 8.42
 13. Log/Linear Amplifier (Sheet 2) 8-44

14. Deflection Amplifier 8-46
 15. Scan Generator and Trigger Circuits 8-48
 16. Scan Driver and Pen Lift Driver 8-50
 17. Analogic Circuit 8-52
 18. Reference Oscillator & LOG REFERENCE
 Index Light Circuit 8-54
 19. Power Supply 8-56

ILLUSTRATIONS

Figure	Page
1-1. Model 8552B Spectrum Analyzer IF Section	1-0
1-2. HP 11592A Service Kit Required for Maintenance	1-7
2-1. Model 8552B Spectrum Analyzer IF Section with 8553B RF Section and 141T Display Section	2-0
3-1. 82552B Spectrum Analyzer IF Section Controls, Indicators and Connectors.	3-3
4-1. 30 MHz Calibrator Signal & Harmonica	4-2
4-2. Vertical Gain Adjustment	4-2
4-3. Calibrator Amplitude Test Setup	4-5
4-4. Calibrator Frequency Check Test Setup	4-7
4-5. 10 kHz Bandwidth Accuracy Test Setup	4-8
4-6. Scan Time Accuracy Test Setup	4-13
4-7. Scan Time Modulation Peaks	4-14
5-1. Power Supply Check & Adjustment Test Setup	5-3
5-2. Scan Generator Check & Adjustment Test Setup.	5-4
5-3. Scan Voltage Waveform Measurement	5-5
5-4. Final Scan Time Adjustment Test Setup	5-6
5-5. Vertical Deflection Amplifier Test Setup	5-9
5-6. Log/Linear Amplifier Check and Adjustment Test Setup	5-11
5-7. Crystal Filter Fine Adjustment Test Setup	5-17
5-8. Crystal Filter Bypass Network	5-21
5-9. 3 MHz IF Gain Adjustment Test Setup	5-22
5-10. 47 MHz LO Automatic Phase Lock Test Setup	5-26
5-11. Search Waveform	5-28
6-12. 50 MHz IF Bandpass Adjustment Test Setup.	5-30
5-13. 50 MHz Bandpass Display for 10 MHz and 3 MHz Sweeps	5-31
5-14. 50 MHz Bandpass Flatness Display	5-32
5-15. 44 MHz Rejection Adjustment Test Setup	5-33
5-16. 30 MHz Calibration Amplitude Adjustment setup	5-35
7-1. Power Supply Partial Schematic (Part of Change F)	7-5
7-2. Deflection Amplifier A7 Component Identification (Part of Change H)	7-12
7-3. Deflection Amplifier (Part of Change H)	7-13
7-4. Log/Linear Amplifier Partial Schematic (Part of Change J)	7-14
7-5. Log/Linear Amplifier Partial Schematic (Part of Change J)	7-14
7-6. Deflection Amplifier A7 Component Identification (Part of Change O).	7-16
7-7. Deflection Amplifier Partial Schematic (Part of Change O)	7-17
7-8. Deflection Amplifier Partial Schematic (Part of Change O)	7-17

Figure	Page
7-9. Log/Linear Amplifier Partial Schematic (Part of Change U)	7-19
7-10. Log/Linear Amplifier Partial Schematic (Part of Change U)	7-19
7-11. 50 MHz Converter (Part of Change X)	7-24
7-12. Power Supply Partial Schematic (Part of Change Y)	7-25
8-1. 8552B IF Section with Circuit Board Extended for Maintenance.	8-1
8-2. Diagram of Modular Exchange Program	8-3
8-3. Examples of Diode and Transistor Marking Methods.	8-5
8-4. Integrated Circuit Packaging	8-6
8-5. Evolution of Straight-Line Switch presentation	8-7
8-6. Three Positions of Typical Switch Wafers	8-7
8-7. Wafer Switch Presentation Versus Straight-Line Presentation	8-8
8-8. 8553B Component, Assembly and Adjustment Locations	8-19
8-9. Simplified Block Diagram	8-20
8-10. 8552B Block Diagram	8-21
8-11. Video Filter Assembly All,	8-22
8-12. Log Reference Level Switch Assembly A10 ,	8-22
8-13. Scan Time Switch Assembly A9	8-22
8-14. RF Section/IF Section/Display Section Interconnections	8-23
8-15. 50 MHz Bandpass Filter A3A1, Component Identification,	8-25
8-16. 47 MHz LO A3A2 Component Identification	8-25
8-17. 50 MHz Converter A3 Component Identification,	8-25
8-18. 50 MHz Converter, Schematic Diagram.	8-25
8-19. 47 MHz APC A1 2 Component Identification.	8-27
8-20. 2 MHz VTO A13 Component Identification	8-27
8-21. 47 MHz Automatic Phase Control and 2 MHz Voltage Tuned Oscillator.	8-27
8-22. P/O Power Supply A5 Component Identification ,	8-29
8-23. 2 MHz VTO Shaping Circuit	8-29
8-24. P/O 3 MHz Amplifier A2 Component Identification	8-31
8-25. 3 MHz Amplifier (Sheet 1 of 2)	8-31
8-26. P/O 3 MHz Amplifier A2 Component Identification	8-33
8-27. 3 MHz Amplifier (Sheet 2 of 2)	8-33
8-28. LC Filter A1 Component Identification	8-35
8-29. LC Bandwidth Filter	8-35
8-30. Amplifier/Filter Control Circuits	8-37

ILLUSTRATIONS (cont'd)

Figure	Page	Figure	Page
8-31. P/O Crystal Filter A4 Component Identification	8-39	8-42. P/O Scan Generator A6 Component Identification	8-49
8-32. Crystal Filter (1 of 2)	8-39	8-43. Scan Generator and Trigger Circuits	8-49
8-33. P/O Crystal Filter A4 Component Identification	8-41	8-44. P/O Scan Generator A6 Component Identification	8-51
8-34. Crystal Filter (2 of 2)	8-41	8-45. Scan Driver and Pen Lift Driver	8-51
8-35. Simplified Diagram, Log Mode of Operation	8-42	8-46. P/O Power Supply AS Component Identification	8-53
8-36. P/O Log/Linear Amplifier A8 Component Identification	8-43	8-47. Analogic Circuit	8-53
8-37. Log/Linear Amplifier (1 of 2)	8-43	8-48. P/O Scan Generator A6 Component Identification	8-55
8-38. P/O Log/Linear Amplifier A8, Component Identification	8-45	8-49. Reference Oscillator and LOG REFERENCE Index Light Circuit	8-55
8-39. Log/Linear Amplifier (2 of 2)	8-45	8-50. P/O Power Supply AS Component Identification	8-57
8-40. Deflection Amplifier A7 Component Identification	8-47	8-51. Power Supply	8-57
8-41. Deflection Amplifier	8-47		

TABLES

Table	Page	Table	Page
1-1. 8552B Specifications	1-3	7-1. Manual Changes by Serial Number	7-1
1-2. Test Equipment and Accessories.	1-4	7-2. Summary of Changes by Component	7-2
4-1. Front Panel Checks	4-4	7-3. Replaceable Parts (Part of Change H)	7-10
4-2. Bandwidth Checks	4-8	7-4. Replaceable Parts (Part of Change X)	7-22
4-3. Bandwidth Selectivity Checks	4-10	8-1. Etched Circuit Soldering Equipment	8-4
4-4. Modulation Frequencies for Checking Scan Time	4-14	8-2. System Test and Troubleshooting Procedure	8-9
4-5. Performance Check Test Record.	4-15	8-3. Schematic Diagram Notes	8-16
5-1. Modulation Frequencies for Checking Scan Time.	5-7	8-4. IF Section Assy & Component Location	8-17
5-2. Analogic Threshold Adjustment	5-37	8-5. Gain Changes when LOG REF LEVEL Switch is Adjusted.	8-21
5-3. Display Calibration Conditions	5-38	8-6. IF-to-RF Sections Interconnecting Jack Identification	8-23
5-4. Factory Selected Components	5-39	8-7. IF-to-Display Sections Interconnecting Plug Identification	8-23
5-5. Check and Adjustment Test Record	5-40		

APPENDIXES

A. REFERENCE	A - 1
B. COMPONENTS OF END ITEM LIST (Not Applicable)	
C. ADDITIONAL AUTHORIZATION LIST (Not Applicable)	
D. MAINTENANCE ALLOCATION	
E. EXPENDABLE SUPPLIES AND MATERIALS LIST (Not Applicable)	

SECTION O

INTRODUCTION

0-1. SCOPE .

This manual describes Plug-in Unit, Electronic Test Equipment PL-1388/U and provides instructions for operation and maintenance. Throughout this manual, the PL-1388/U is referred to as Hewlett-Packard Model 8552B Spectrum Analyzer IF Section.

0-2. INDEXES OF PUBLICATIONS.

a. DA Pam 310-4. Refer to the latest issue of DA Pam 310-4 to determine whether there are new editions, changes, or additional publications pertaining to the equipment.

b. DA Pam 310-7. Refer to DA Pam 310-7 to determine whether there are modification work orders (MWO's) pertaining to the equipment.

0-3. FORMS AND RECORDS.

a. Reports of Maintenance and Unsatisfactory Equipment. Maintenance forms, records, and reports which are to be used by maintenance personnel at all maintenance levels are listed in and prescribed by TM 38-750.

b. Report of Packaging and Handling Deficiencies. Fill out and forward DD Form 6 (Packaging Improvement Report) as prescribed in AR 700-58/NAVSUPINST 4030.29/AFR 71-13/MCO P4030.29A and DLAR 4145.8.

c. Discrepancy in Shipment Report (DISREP) (SF 361). Fill out and forward Discrepancy in Shipment Report (DISREP) (SF 361) as prescribed in AR 55-38/NAVSUPINST 4610.33B/AFR 75-18/MCO P4610.19C and DLAR 4500.15.

0-4. REPORTING EQUIPMENT IMPROVEMENT RECOMMENDATIONS (EIR).

EIR's will be prepared using DA Form 2407, Maintenance Request. Instructions for preparing EIR's are provided in TM 38-750, The Army Maintenance Management System. EIR's should be mailed directly to Commander, US Army CERCOM, ATTN: DRSEL-MA-Q, Fort Monmouth, NJ 07703. A reply will be furnished directly to you.

0-5. ADMINISTRATIVE STORAGE.

"Administrative storage of equipment issued to and used by Army activities shall be *in* accordance with paragraph 4-7.

0-6. DESTRUCTION OF ARMY ELECTRONICS MATERIEL.

Destruction of Army electronics materiel to prevent enemy use shall be in accordance with TM 750-244-2.

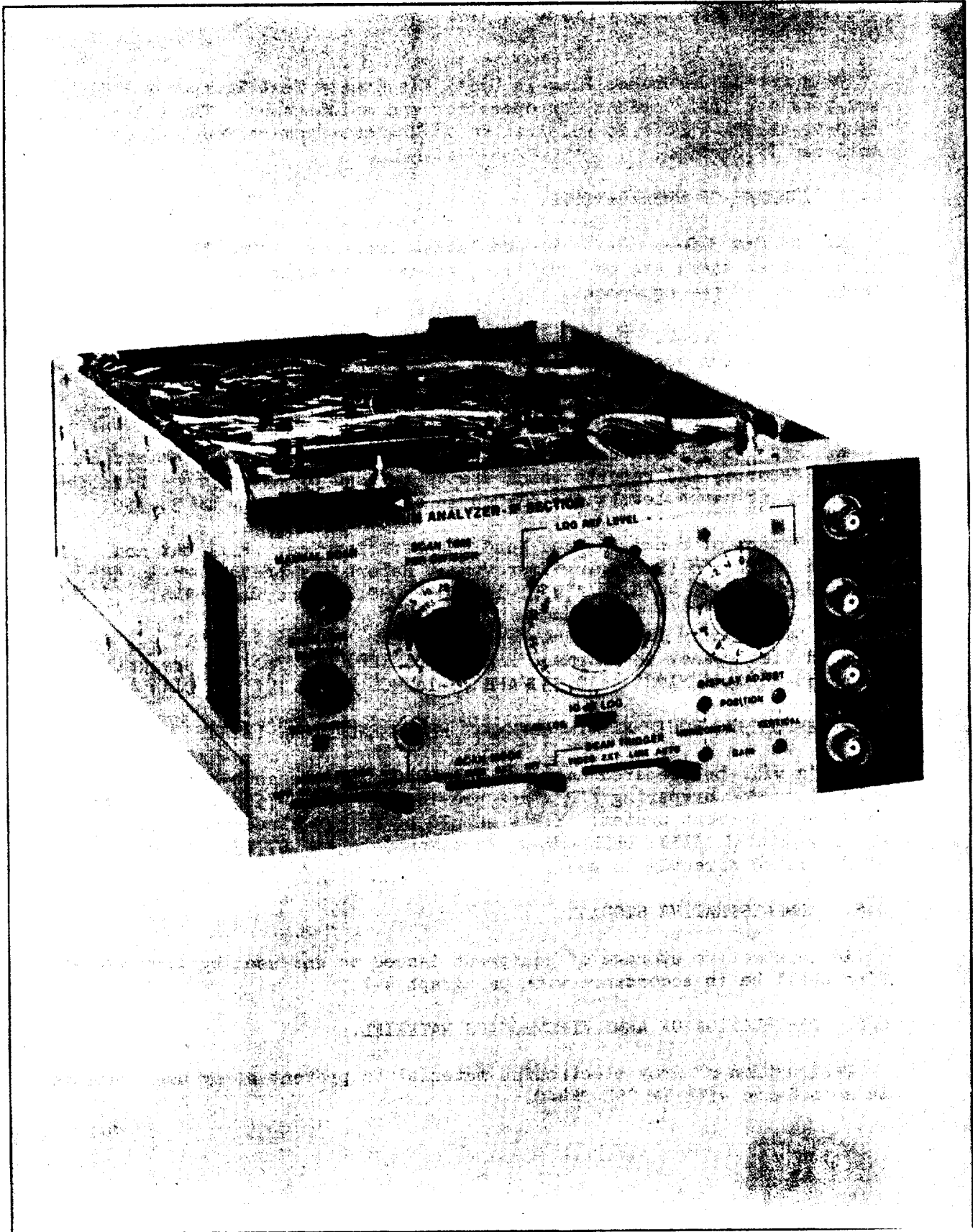


Figure 1-1. Model 8552B Spectrum Analyzer IF Section

SECTION I

GENERAL INFORMATION

1-1. INTRODUCTION

1-2. This manual contains pertinent information required to install, operate, test, adjust and service the Hewlett-Packard Model 8552B Spectrum Analyzer IF Section. This section covers instrument identification, description, accessories, specifications and other basic information. A more complete discussion of overall operation of the Spectrum Analyzer system is given in RF Section manuals.

1-3. Figure 1-1 shows the Hewlett-Packard Model 8552B Spectrum Analyzer IF Section.

1-4. The various sections in this manual provide information as follows:

SECTION II, INSTALLATION, provides information relating to inspection, power requirements, mounting, packing and shipping, etc.

SECTION III, OPERATION, provides information relative to operating the equipment.

SECTION IV, PERFORMANCE TESTS, provides information required to ascertain whether the instrument is performing in accordance with published specifications.

SECTION V, ADJUSTMENTS, provides information required to properly adjust and align the instrument.

SECTION VI, REPLACEABLE PARTS, **deleted. Refer to TM 11-6625-2781-24P-1 for replaceable parts.**

SECTION VII, MANUAL CHANGES, provides backdating information.

SECTION VIII, SERVICE, provides information required to service the instrument.

1-5. Deleted.

1-8. Instrument specifications are listed in Table 1-1. These specifications are the performance standards, or limits against which the instrument

may be tested. Table 1-1 also lists supplemental characteristics. Supplemental characteristics are not specifications but are typical characteristics included as additional information for the user.

1-7. INSTRUMENTS COVERED BY MANUAL

1-8. This instrument has a two-part serial number. The first four digits and the letter or the first three digits and the hyphen comprise the serial number prefix. The last five digits form the sequential suffix that is unique to each instrument. The contents of this manual apply directly to instruments having the **serial prefix 1410A**.

1-9. An instrument manufactured after the printing of this manual may have a serial prefix that is **different from that indicated above. If so, refer to Section VII and make the applicable manual changes.**

1-10. In addition to change information, **Section VII** may contain information for correcting errors in the manual. To keep this manual as current and accurate as possible, Hewlett-Packard recommends that you periodically request the latest Manual Changes supplement.

1-11. For information concerning a serial number prefix not **covered in this manual, contact your nearest Hewlett-Packard office.**

1-12. DESCRIPTION

1-13. The HP Model 8552B Spectrum Analyzer IF Section was designed to be used in conjunction with an RF Section and a Display Section.

1-14. The complete analyzer is a highly sensitive superheterodyne receiver with spectrum scanning capabilities determined by the RF Section. Output video from the receiver circuits is applied to the CRT in the display section; thus, a signal or group of signals can be analyzed in the frequency

domain. Input signals are plotted on the CRT as a function of amplitude versus frequency. The amplitude (Y-axis) of the CRT is calibrated in absolute units of power (dBm) or voltage (μ accordingly, absolute and relative measurements of both amplitude and frequency can be made.

1-15. The instrument controls are arranged for easy operation. For wide spectrum analysis, the operator can use the preset scan of the RF Section used, or for a more detailed study, the spectrum width can be progressively narrowed. The frequency scan can be stopped to allow use of the instrument as a fixed frequency receiver. The RF Section's widest bandwidth is automatically selected for preset scan operation; for variable scan and fixed frequency operation, narrower bandwidths can be selected by the operator.

1-16. OPTIONS

1-17. The standard 8552B provides -30 ± 0.3 dBm calibrator output (7.07 mV into 50 ohms) at 30 ± 0.003 MHz. A standard BNC connector is used.

1-18. Option HO1. The calibrator output impedance is 75 ohms with an output of 8.66 mV (-30 dBm). The CAL OUTPUT Connector is equivalent to the Western Electric WE-560A.

1-19. Option H02. The calibrator output impedance is 75 ohms with an output of 8.66 mV (-30 dBm). The CAL OUTPUT connector is a BNC.

1-20. Option H04. The Log Amplitude reference is calibrated in dB μ V (0 dB μ V is 1 μ V across 50 ohms).

1-21. EQUIPMENT REQUIRED BUT NOT SUPPLIED

1-22. The Model 8552B must be mated with a standard 8550 series RF Section and a 140 series Display Section before it can function as a spectrum analysis system.

1-23. RF Sections

1-24. The available 8552B Options must be mated with the following RF Sections:

- 1) 8552B-H01 8553B-H01
- 2) 8553B-H02 8553B-H02
- 3) 8552B-H04 8553,8554,8555 (standard)
8556A-H11 (special)

1-25. Display Sections

1-26. The 140 Display Sections are equipped with a fixed-persistence, non-storage CRT. 141T Display Sections are equipped with a variable persistence, storage CRT. The 143 Display Sections have a large screen (8 x 10 inch) fixed-persistence, non-storage CRT.

Table 1-1. 8552B Specifications

SPECIFICATIONS																
FREQUENCY																
<p>Resolution: Bandwidth: IF bandwidths of 10 Hz to 300 kHz provided in a 1, 3 sequence. Bandwidth Accuracy: Individual IF bandwidths' 3 dB points calibrated to *20%(10 kHz bandwidth ±5%).</p>	<p>Bandwidth Selectivity: 60 dB/3 dB IF bandwidth ratio <11:1 for IF bandwidths from 30 Hz to 3 kHz and <20:1 for IF bandwidths from 10 kHz to 300 kHz, 60 dB points separated by <100 Hz for 10 Hz bandwidth.</p>															
AMPLITUDE																
<p>Absolute Amplitude Calibration Range: Log: From -130 to +10 dBm. 10 dB/div on a 70 dB display or 2 dB/div expand below LOG reference. H04: From -23 to +117 dBV, 10 dB/div on a 70 dB display or 2 dB/div expand below LOG reference.</p>	<p>Amplitude Accuracy: Switching between bandwidths (at 20°C):</p> <table border="0"> <thead> <tr> <th></th> <th style="text-align: center;">Log</th> <th style="text-align: center;">Linear</th> </tr> </thead> <tbody> <tr> <td>0.1-300 kHz</td> <td style="text-align: center;">±0.5 dB</td> <td style="text-align: center;">±5.8%</td> </tr> <tr> <td>0.03-300 kHz</td> <td style="text-align: center;">±1.0 dB</td> <td style="text-align: center;">±12.0%</td> </tr> <tr> <td>0.01-300 kHz</td> <td style="text-align: center;">±1.5 dB</td> <td style="text-align: center;">±19.0%</td> </tr> <tr> <td>Amplitude Display</td> <td style="text-align: center;">±0.25 dB/dB but not more than ±1.5 dB over full 70 dB display range</td> <td style="text-align: center;">±2.8% of full 8 div. deflection</td> </tr> </tbody> </table>		Log	Linear	0.1-300 kHz	±0.5 dB	±5.8%	0.03-300 kHz	±1.0 dB	±12.0%	0.01-300 kHz	±1.5 dB	±19.0%	Amplitude Display	±0.25 dB/dB but not more than ±1.5 dB over full 70 dB display range	±2.8% of full 8 div. deflection
	Log	Linear														
0.1-300 kHz	±0.5 dB	±5.8%														
0.03-300 kHz	±1.0 dB	±12.0%														
0.01-300 kHz	±1.5 dB	±19.0%														
Amplitude Display	±0.25 dB/dB but not more than ±1.5 dB over full 70 dB display range	±2.8% of full 8 div. deflection														
<p>Calibrator Output: Amplitude: -30 dBm ± 0.3 dB; +77 dBμV (H04) Standard/H04-8552B: 7.07 mV into 50 ohms H01/H02-8552B: 8.66 mV into 75 ohms</p>																
GENERAL																
<p>Scan Time: 16 internal scan rates from 0.1 ms/div to 10 sec/div in a 1, 2, 5 sequence, or Manual Scan. Scan Time Accuracy: 0.1 ms/div to 20 ms/div: ±10% 50 ms/div to 10 sec/div: ±20%</p>	<p>Power Requirements: 115 or 230 volts ±10%, 50 to 60 Hz, normally less than 225 watts for complete analyzer (varies with plug-in units used). Weight: Model 8552B IF Section: Net 9 lb., 11 oz., (4,4 kg.)</p>															
Scan Characteristics																
<p>Scan Mode: Internal: Analyzer repetitively scanned by internally generated ramp; synchronization selected by Scan Trigger. Single: Single scan actuated by front panel push button. External: Scan determined by 0 to +8 volt external signal; scan input impedance >10 kΩ. Blanking: -1.5V external blanking signal required. Manual: Scan controlled by position of Manual Scan knob.</p>	<p>Scan Trigger: For Internal scan mode, select between: Auto: Scan free runs. Line: Scan synchronized with power line frequency. External: Scan synchronized with >2 volt (20V max) trigger signal. Polarity selected by internal switch (on assembly A6) of 8552B IF Section. Scan triggers with negative impulse when switch in NORMAL position. Video: Scan internally synchronized to envelope of RF input signal (signal amplitude of 1.5 major divisions peak-to-peak required on display section CRT).</p>															
Penlift Characteristics																
<p>Penlift output: 0 to +14 volts (0V pen down). Available in Internal and Single Scan modes and Auto, Line and Video Scan Tigger.</p>																

1-27. EQUIPMENT AVAILABLE

1-28. The following equipment is recommended for maintenance purposes:

- a. HP 11592A Service Kit (shown in Figure 1-2).
- b. Six-pin extender board (not included in HP 11592A Service Kit) HP Part Number 5060-5914.

1-29. RECOMMENDED TEST EQUIPMENT

1-30. Table 1-2 lists the test equipment and accessories required to check, adjust and repair the 8552B Spectrum Analyzer IF Section. If substitute equipment is used, it must meet the Minimum Specifications listed in **Table 1-2. Refer to the Maintenance Allocation Chart in the appendix for the required test equipments.**

Table 1-2. Test Equipment and Accessories

Item	Minimum Specifications or Required Features	Suggested Model	Note*
Amplifier	Frequency Range: 3 to 30 MHz Gain: 20 dB Input and Output Impedance: 50 ohms Flatness: ±1 dB	HP 8447A	P, A
Attenuator	Frequency Range: 0 – 30 MHz Flatness: ±0.5 dB Steps: 1 dB from 0 to 12 dB	HP 355C	A
Attenuator	Frequency Range: 0 – 30 MHz Flatness: ±0.5 dB Steps: 10 dB – 0 to 110 dB	HP 355D	A
Audio Oscillator	Frequency Range: 10 kHz Output Amplitude: 2V rms Frequency Accuracy: ±2% Output Impedance: 600 ohms	HP 200CD	P, A
Digital Voltmeter	Voltage Accuracy: ±0.2% Range Selection: Manual or Automatic Voltage Range: 1 – 1000 Vdc full scale Input Impedance: 10 megohms Polarity: Automatic Indication	HP 3440A Digital Voltmeter with HP 3443A Plug-in	P, A, T
Crystal Detector	Frequency: 1 – 50 MHz Sensitivity: >0.04 mV/μW Frequency Response: ±0.2 dB Polarity: Negative	HP 423A Crystal Detector	A
Frequency Counter	Frequency Range: 100 kHz – 50 MHz Accuracy: ±0.001% Sensitivity: 30 mV rms Readout Digits: 7	HP 5245L Frequency Counter with HP 5261A Plug-in	P, A
Oscilloscope	Frequency Range: Dc to 50 MHz Time Base: 1 μs/div to 10 ms/div Time Base Accuracy: ±3% Dual Channel, Alternate Operation Ac or dc Coupling External Sweep Mode Voltage Accuracy: ±3% Sensitivity: 0.005 V/div	HP 180A with HP 1801A Vertical Amplifier and HP 1821A Horizontal Amplifier HP 10004A 10:1 Divider Probes (2)	A, T

Note*

Performance = P; Adjustment = A; Troubleshooting = T

Table 1-2. Test Equipment and Accessories (cont'd)

Item	Minimum Specifications or Required Features	Suggested Model	Note*
Ohmmeter	Resistance Range: 1 ohm to 100 megohms Accuracy: ± 10 of Reading	HP 412A	T
Power Supply	Output Voltage: Variable, 0 – 30 Vdc Output Current: 0 – 400 mA Meter Resolution: <5 mV	HP 6217A Power supply	A
Signal Generator	Frequency Range: 1 – 30 MHz Output Amplitude: >0 dBm Amplitude Accuracy: $\pm 1\%$ Frequency Accuracy: $\pm 1\%$ Output Impedance: 50 ohms Modulation: External to 100%	HP 606B HF Signal Generator	A
Signal Generator	Frequency Range: 30 to 50 MHz Output Amplitude: >-20 dBm Amplitude Accuracy: $\pm 1\%$ Output Impedance: 50 ohms Modulation: External Pulse or CW to 100%	HP 608F VHF Signal Generator	P, A, T
Oscillator Synchronizer	Frequency Range: 50 kHz – 310 MHz Input Signal Level: 50 kHz – 20 MHz; 0.1 – 2V rms into 50 ohms, 10 – 310 MHz; 180 – 500 mV rms into 50 ohms. Frequency Reference Stability: Short term, 5 x 10 ⁻⁸ /minute Frequency Control Output: Frequency control voltage directly compatible with HP 606B and HP 608F signal generators; output voltage range, -2 to -32 Vdc (maximum)	HP 8708A Synchronizer	A
Sweep Oscillator	Frequency Range: 1 – 60 MHz Output Flatness: ± 0.25 dB over full band Output Impedance: 50 ohms Sweep Width: Up to 10 MHz Output Amplitude: At least 0 dBm.	HP 8601A Generator/Sweeper	A
Pulse Generator	Rep Rate: 10 kHz to 100 kHz Pulse Width: 0.5 to 5 msec Pulse Amplitude: 2V	HP 222A	A
RF Voltmeter	Frequency Range: 3 MHz to 50 MHz Amplitude Range: 0 to -40 dBm Accuracy: $\pm 5\%$	HP 3406A	T
Tunable RF Voltmeter	Bandwidth: 1 kHz Frequency Range: 1 – 50 MHz Sensitivity: 10 mV – 1V rms Input Impedance: ≥ 0.1 megohms	HP 8405A Vector Voltmeter	P, A, T
Extender Board	6-Pin	HP 5060-0050	A, T
50-ohm Tee	Type N female connectors on two ports, with the third port able to accept HP 8405A probe tips.	HP 11536A 50.ohm Tee	P, A

Note*

Performance = P; Adjustment = A; Troubleshooting = T

Table 1-2. Test Equipment and Accessories (cont'd)

Item	Minimum Specifications or Required Features	Suggested Model	Note*
50-ohm Termination	Frequency Range: Dc -310 MHz VSWR: 1.1 Power Rating: 0.5 Watt Connector Type N Male	HP 908A Coaxial Termination	P, A
Variable Voltage Transformer	Range: 102 – 127 Vac Voltmeter Range: 103 – 127 Vac ±1 volt	General Radio W5MT3A or Superior Electric UC1M	A
BNC Tee (2)	Two BNC Female Connectors; one Male BNC Connector	UG-274B/U HP 1250-0781	P, A, T
Adapter	BNC Male to Type N Female	UG-349A/U HP 1250-0077	A
Adapter	BNC Male to Binding Post	HP 10110A	A
Adapter (3)	BNC Female to Type N Male	UG-201A/U HP 1250-0780	P, A
Voltage Probe	Dust Banana Plug-to-Probe Tip and Clip (Ground) Lead	HP 10025A Straight-thru Voltage Probe	A, T
Cable Assy (6)	Male BNC Connectors, 48 inches long	HP 10503A	P, A, T
Cable Assy	BNC Male to Dual Banana Plug, 45 inches long	HP 11001A	P, A, T
Cable Assy	Dual Banana Plug to Clip Leads, 45 inches long	HP 11002A	A, T
Cable Assy	Dual Banana Plug to Dual Banana Plug, 44 inches long	HP 11000A	A, T
Cable Assy	BNC Male to one end only; 44 inches. (Attach Teat Clips to Shield and Center Conductor.)	HP 10501A	A, T
Tuning Tool, Slot	Nonmetallic, 6-inch shaft	Gowanda PC9668	A, T
Screwdrivers	Pozidrive No. 1 (small) Stanley No. 5531	HP 8710-0899	A, T
Tuning Tool, Slot	Nonmetallic, 2.5-inch shaft	HP 8710-0095	A, T
Capacitor	8200 pF (approx.), See paragraph 5-38	HP 0140-0184	A, T
Adapter	Type N Female Connector to Type N Female Connector	UG-29B/U HP 1250-0777	A, T
Adapter	Type N Female to BNC Female Adapter	FXR 21850	A, T
Adapter	Type NBC Plug-to-Plug Adapter	UG-491B/U HP 1250-0216	A, T
Tuning Tool	Fluted Tip, Siemans Halske B63399-B004-X000	HP 8710-0957	A

Note

Performance = P; Adjustment = A; Troubleshooting = T

Table 1-2. Test Equipment and Test Accessories (cont'd)

Item	Minimum Specifications or Required Features	Suggested Model	Note
Service Kit	<p>Contents:</p> <p>140/141 Display Section to Spectrum Analyzer Plug-in Extender Assembly (HP 11592-60015)</p> <p>IF to RF Unit Interconnection Extender Cable Assembly (HP 11592-60016)</p> <p>Selectro Female to BNC Male Test Cable, Three each, 36 inches long (HP 11592-60001)</p> <p>Selectro Male to Selectro Female Test Cable, Two each, 8 inches long (HP 11592-60003)</p> <p>Selectro Female to Selectro Female Cable, One each, 8 inches long (HP 11592-60002)</p> <p>Extender Board Assembly, 15 pins, 30 conductors, for Plug-in Circuit Boards (HP 11592-60011)</p> <p>Fastener Assembly, 8553 Circuit Board Extender, Two each (HP 11592-20001 and HP 1390-0170)</p> <p>Selectro Jack-to-Jack Adapter (HP 1250-0827)</p> <p>Wrench, open end, 15/64 inch (HP 8710-0946)</p> <p>BNC Jack-to-OSM Plug Adapter (HP 1250-1200)</p> <p>OSM Plug-to-Plug Adapter (HP 1250-1158)</p> <p>Cable Assembly, R and P Connector (HP 11592-60013)</p>	HP 11592A Service Kit	Adjustment, Troubleshooting

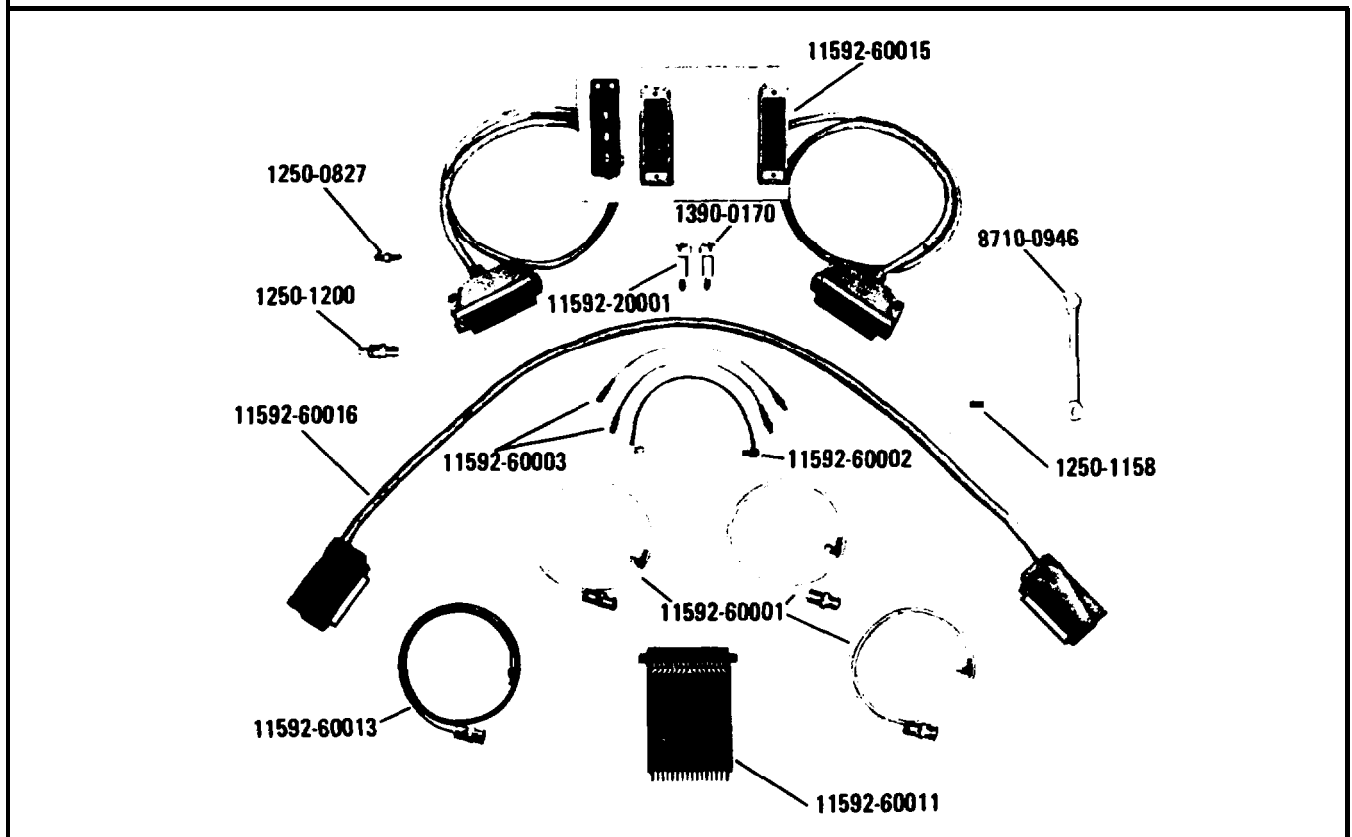


Figure 1-2. HP 11592A Service Kit Required for Maintenance

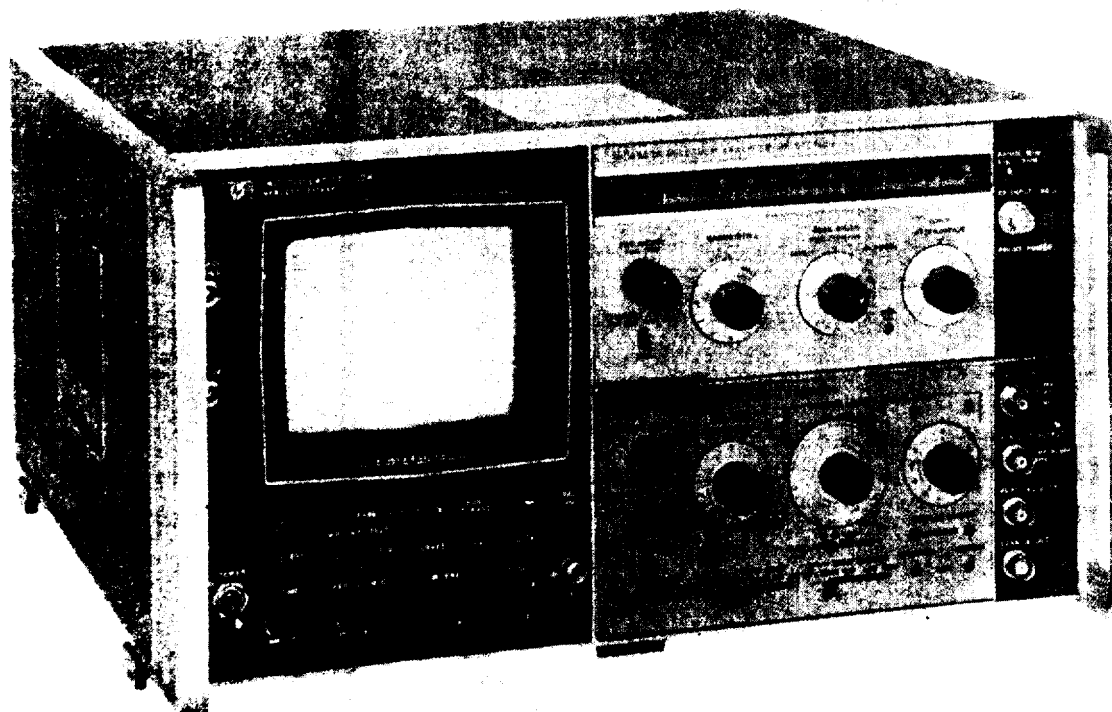


Figure 2-1. Model 8552B Spectrum Analyzer IF Section with 8553B RF Section and 141T Display Section

SECTION II

INSTALLATION

2-1. SHIPPING INFORMATION

2-2. Because of individual customer requirements, shipping configurations are flexible. Initial inspection is based on the premise that the RF and IF Sections are installed in the Display Section; thus the instrument is physically and functionally complete for test. Since the RF and IF Sections are received separately, the plug-ins must be mechanically fitted together, electrically connected, and inserted in a Display Section.

2-3. INITIAL INSPECTION

2-4. Mechanical Check

2-5. If shipping carton is damaged, ask that agent of carrier be present when instrument is unpacked. Inspect instrument for mechanical damage such as scratches, dents, broken knobs, or other defects. Also, check cushioning material for signs of severe stress.

2-6. Performance Check

2-7. As soon as possible after receipt, the instrument should be checked in accordance with the Performance Tests in Section IV.

2-8. CLAIMS FOR DAMAGE

2-9. If the Spectrum Analyzer IF Section is mechanically damaged or fails to meet the specified performance tests, **refer to paragraph 0-3 and complete the proper form. Retain**

shipping carton and padding material for inspection by the carrier.

2-10. POWER REQUIREMENTS

2-11. The IF Section receives its power from the Display Section. Before connecting the analyzer to a line power source, perform the installation procedures given in the Display Section manual.

2-12. CONNECTIONS

2-13. Since the RF and IF Sections are shipped separately, the plug-ins must be mechanically fitted

together, electrically connected, and then inserted into the Display Section mainframe. To make these connections refer to the RF Section Manual.

2-14. INSTALLATION CHECK

2-15. After installing the IF/RF Sections in the Display Section, the installation procedures given in Section II of the RF Section manual should be performed.

2-16. STORAGE AND SHIPMENT

2-17. Original Packaging

2-18. The same containers and materials used in factory packaging can be obtained through any Hewlett-Packard Sales and Service office.

2-19. If the instrument is being returned to Hewlett-Packard for servicing attach a tag indicating the type of service required, return address, model number and full serial number. Also mark the container FRAGILE to assure careful handling.

2-20. In any correspondence refer to the instrument by model number and full serial number.

2-21. Other Packaging Materials

2-22. The following general instructions should be used for repackaging with commercially available materials.

a. Wrap the instrument in heavy paper or plastic. (If shipping to a Hewlett-Packard Service office or center, attach a tag indicating the type of service required, return address, model number and full serial number.)

b. Use a strong shipping container. A double-wall carton made of 350 pound test material is adequate.

c. Use enough shock-absorbing material (three to four inch layer) around all sides of the instrument to provide firm cushion and prevent movement inside the container. Protect the control panel with cardboard.

d. Seal the shipping container securely.

e. Mark the shipping container FRAGILE to assure careful handling.

SECTION III OPERATION

3-1. INTRODUCTION

3-2. This section provides operating instructions for the HP 8552B IF Section. The panel features are described in Figure 3-1, Operator's checks are outlined in Figure 3-2, and Operating Instructions are provided in the appropriate RF Section manual. Operator's Maintenance provides instructions for maintenance that can be done by the operator.

3-3. PANEL FEATURES

3-4. The panel features of the 8552B are shown and explained in Figure 3-1, 8552B Spectrum Analyzer IF Section Controls, Connectors and Indicators.

3-5. OPERATOR'S CHECKS

3-6. The Operator's Checks are designed to familiarize the operator with the 8552B and give him an understanding of the instrument capabilities.

3-7. The FRONT PANEL CHECK PROCEDURE and Table 4-1, (in Section 4), provide the Operator's Checks for the 8552B.

NOTE

When the 8552B-H04 is being used, the adjustment of paragraph 3-14 should be substituted for those in Section IV.

3-8. OPERATIONAL ADJUSTMENTS

3-9. During checkout at the factory, the IF Section is adjusted for proper operation. Upon receipt of the instrument the operator must perform the front panel adjustments as shown in the RF Section manual.

3-10. H01/H02 Instruments

3-11. For H01/H02 instruments it should be recalled that at -30 dBm, the equivalent voltage is 8.66 mV (75 ohms). Perform the tests and adjustments as shown in the RF Section Manual.

3-12. H04 Instruments

3-13. The -30 dBm CAL OUTPUT signal is used to calibrate the analyzer. However, since 0 dB μ V (across 50 ohms) = -107 dBm, the -30 dBm signal corresponds to +77 dB μ V. To achieve correct log calibration, LOG REF LEVEL is set to 80 dB μ V

and AMPL CAL is set so that the signal peaks 3 dB below the LOG REF graticule line. And since -30 dBm = 7.07 mV (across 50 ohms), AMPL CAL is fine-adjusted for 7.1 mV (\approx 7.07 mV) on the CRT display.

Use the following procedure as a supplement to the procedures specified in Section IV and the RF Section manuals for AMPL CAL adjustment.

NOTE

When the 8556A RF Section is used, the correct adjustment procedure is located in the RF Section manual.

1. Make VERTICAL GAIN and POSITION adjustments as specified in the manuals.
2. Set LOG REF LEVEL to 80 dB μ V (check that LOG/LINEAR is set to 10 dB LOG, LOG REF LEVEL Vernier is set to 0, and CAL OUTPUT is connected to RF INPUT).
3. Adjust AMPL CAL to set the 30 MHz calibrator signal 3 dB below the top (0 dB) graticule line on the CRT.
4. Step INPUT ATTENUATION and LOG REF LEVEL through their ranges. The signal should increase or decrease 10 dB per step.
5. Set LOG/LINEAR to LINEAR and LINEAR SENSITIVITY to 1 mV/div. Adjust AMPL CAL to set the 30 MHz Calibrate; signal for 7.1 divisions on the CRT.

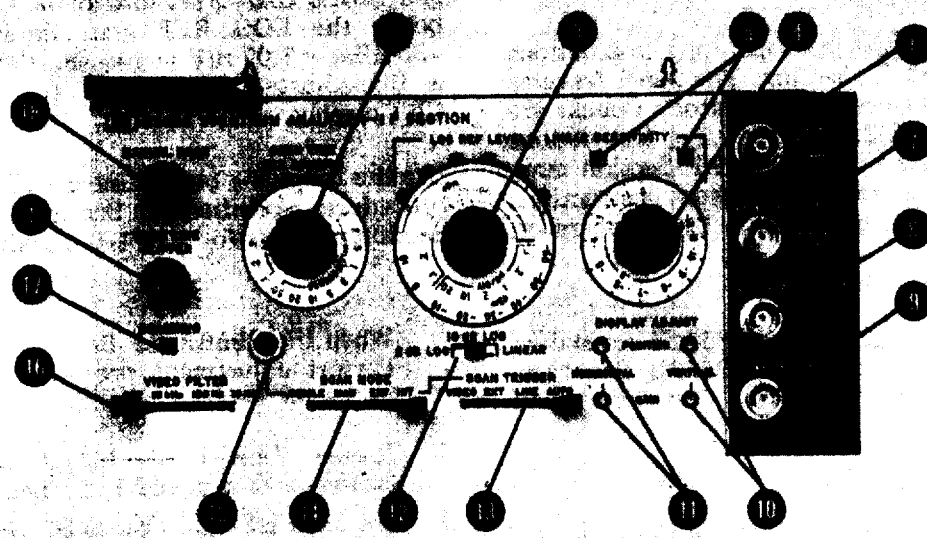
3-14. OPERATING INSTRUCTIONS

3-15. Refer to the RF Section manuals for specific operating instructions.

3-16. OPERATING TIPS

3-17. When using the 10 Hz Bandwidth, use a scan time of 1 second or slower, Special provision is made in the 8552B IF Section to increase the stability of the 50 MHz Converter during the slow scans.

3-18. When using MANUAL SCAN or EXTERNAL SCAN, the DISPLAY UNCAL lamp warns if the combination of control settings being used degrades the calibration. Do not sweep the analyzer any faster than it would be swept by an internal scan with the control settings selected.



REAR



Figure 3-1. 8662B Spectrum Analyzer IF Section Controls and Connectors Indicators

FRONT AND REAR PANEL CONTROLS AND CONNECTORS

- 1 **BASE LINE CLIPPER.** Blanks lower part of trace to blank baseline noise. Blanking function also prevents blooming with a variable-persistence storage display section.
- 2 **SCAN TIME PER DIVISION.** Controls scan time.
- 3 **LOG REF LEVEL · LINEAR SENSITIVITY Ranges.** When the Log-Linear Mode Switch is in either of the Log positions and the vernier dial to the right is set at *black* zero, the *black* number under any illuminated index lamp indicates the power level at the display's LOG REF LEVEL. With the Log-Linear Mode Switch in the LINEAR position, the *blue* number under any illuminated index lamp indicates the per division multiplier for calibrated voltage amplitude, provided the vernier is set to *blue* 1. If the LOG REF LEVEL switch carries a third red scale, these numbers apply only when an 8556 RF Section is used.
- 4 **LOG REF LEVEL · LINEAR SENSITIVITY Vernier.** Indicates 1-dB increments for logarithmic amplification; indicates multiplication factors up to unity for linear amplification.
- 5 **LOG REF LEVEL LINEAR SENSITIVITY Mode Indicators.**
 "+" indicates the amplitude is to be read in dB-Log mode (the Range, Vernier and Display levels are to be added algebraically).
 "x" indicates the amplitude is to be read in volts-linear mode (the Range, Vernier and Display levels are to be multiplied together).
- 6 **CAL OUTPUT.** Provides a 30-MHz signal at -30 dBm for amplitude calibration of spectrum analyzer.
- 7 Provides penlift output 0 to 14 Vdc (0 Vdc while scanning) to compatible TTL HP recorders (HP 7005, 7035, 7004 and 7034). Blanking input when SCAN MODE is set to EXT (-15 Vdc required). Trigger Input of > 2 Vpk maximum) when SCAN MODE is set to INT and SCAN TRIG is set to EXT. (Polarity depends on position of internal switch A6S1, NORM-negative and REV-positive; factory set in the NORM (normal) position.
- 8 **VERTICAL OUTPUT.** Detected video output proportional to vertical deflection on CRT.
- 9 **SCAN IN/OUT.** Scan Output of -5 to +5 Vdc for 10-divisions of horizontal deflection on CRT (1k ohm output impedance). Scan Input 0 to +8 Vdc for 10-divisions of horizontal deflection on CRT (10k ohm input impedance).
- 10 **VERTICAL.** Adjusts vertical position and gain of deflection amplifier.
- 11 **HORIZONTAL.** Adjusts horizontal position and gain of deflection amplifier.
- 12 **Log-Linear Mode Switch.** Selects log (2 or 10 dB) or linear display modes.
- 13 **SCAN TRIGGER.** Selects scan trigger mode. Operable only when SCAN MODE is in the INT position.
- 14 **SCAN MODE.** Selects an internally generated ramp scan voltage in SINGLE or INT. The manual scan voltage is set by the MANUAL SCAN control. The EXT. scan voltage must be provided by an external generator.
- 15 **SINGLE.** Press to initiate or stop scan with SCAN MODE switch set to SINGLE.
- 16 **VIDEO FILTER.** May select 10 Hz, 100 Hz, 10 kHz or OFF sections of low-pass filter for detected video.
- 17 **SCANNING.** Lights for duration of each scan.
- 18 **MANUAL SCAN.** Controls scan in MAN position of SCAN MODE (14).
- 19 **P1.** Connects to display section.

NOTE

Do NOT make any VERTICAL GAIN or POSITION adjustments in the 2 dB LOG mode as the front panel calibration will become invalid.

Figure 3-1. 8552B Spectrum Analyzer IF Section Controls, Connectors and Indicators (cont 'd)

3-19. OPERATOR'S MAINTENANCE

3-20. Operator's maintenance involves changing the -12.6 and -10 Vdc fuses, which are located on the rear panel of the 8552B.

3-21. Both fuses (F1 and F2), may be ordered under HP part number 2110-0001.

3-22. If the fuse is replaced and it immediately burns out again, a competent technician should be called to troubleshoot the instrument.

SECTION IV
PERFORMANCE TESTS

4-1. INTRODUCTION

4-2. Perform tests in procedural order with the test equipment called for, or with its equivalent. Specifications of test equipment and accessories required to performance-test the analyzer are given in Table 1-2.

4-3. Front panel checks for routine inspection are given in Table 4-1. Procedures for verifying that the instrument meets specifications are given in Paragraphs 4-23 through 4-28, and a test card in Table 4-5 contains data spaces for recording test results.

4-4. During any performance test, all shields and attaching hardware must be in place and the RF and IF Section plug-ins must be installed in the display section. The analyzer must be allowed to warm up at least one-half hour before being tested or adjusted.

4-5. FRONT PANEL CHECKS

4-6. Before proceeding to the front panel checks, the instrument must be adjusted and all the controls set as specified in the preset adjustment instructions in paragraph 4-13. After the instrument is set up, proceed with the checks. The instrument should perform as called out in the procedure (paragraphs 4-12 through 4-21) before going on to the performance tests.

4-7. PERFORMANCE TESTS

4-8. The performance tests given in this manual are suitable for incoming inspection, troubleshooting or preventive maintenance. The tests are designed to verify published instrument specifications. Perform the tests in the order given, and record data on the test card (Table 4-5) at the end of this section. These tests assume the use of an 8553B RF Section and a 141T Display Section unless otherwise noted. If another RF Section is used the procedure must be adjusted accordingly: the frequencies used may change and some bandwidths will not be available for checking. If another Display Section is used, the tests that require variable persistence can be performed using an X-Y Recorder.

4-9. The tests are arranged in the following order:

Para.	Test Description
4-23	Calibrator Output
4-24	Bandwidth Accuracy
4-25	Bandwidth Selectivity
4-26	Switching between Bandwidths Accuracy
4-27	Amplitude Display Accuracy
4-28	Scan Time Accuracy

4-10. Each test is arranged so that the specification is written out as it appears in the Table of Specifications. Next, a description of the test and any special instructions or problem areas is included. Each test that requires test equipment has a test setup drawing and a list of required equipment. Each procedure gives control settings required for that particular test. Data spaces are included in each test procedure, and the spaces are repeated in the Performance Test Card at the end of this section.

4-11. Required specifications for test equipment are detailed in Table 1-2 in Section 1. If substitute test equipment is to be used, it must meet the specifications listed in order to check the analyzer.

4-12. FRONT PANEL CHECK PROCEDURE

4-13. Preset Adjustments

4-14. Turn analyzer ON and preset the INTENSITY & FOCUS to approximately 1 o'clock. While the analyzer is warming up make the following control settings:

RANGE MHz 0-110
 FREQUENCY 40 MHz
 FINE TUNE Centered
 BANDWIDTH 300 kHz
 SCAN WIDTH 0-100 MHz
 SCAN WIDTH PER DIVISION 10 MHz
 INPUT ATTENUATION 10 dB
 TUNING STABILIZER On
 BASELINE CLIPPER ccw
 SCAN TIME PER DIVISION 5 MILLISECONDS
 LOG REF LEVEL -10 dBm
 LOG REF LEVEL Vernier 0
 LOG LINEAR 10 dB LOG
 VIDEO FILTER 10 kHz
 SCAN MODE INT
 SCAN TRIGGER AUTO

4-15. Connect CAL OUTPUT to RF INPUT using a BNC-to-BNC cable. The display on your analyzer should be similar to Figure 4-1.

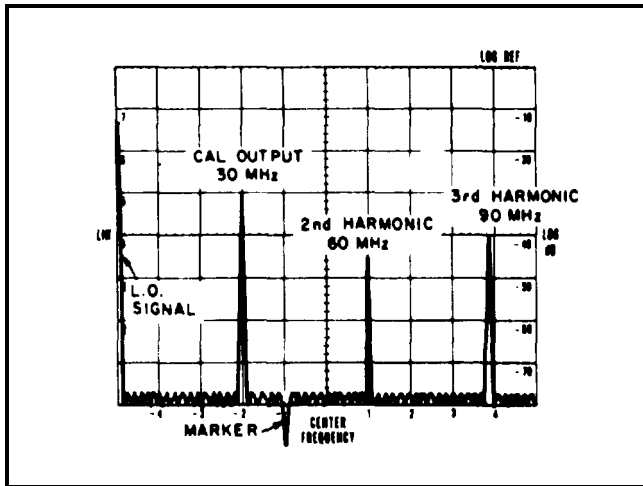


Figure 4-1. 30 MHz Calibrator Signal & Harmonics

4-16. Display Section Adjustments

- a. Set LOG REF LEVEL max ccw.
- b. Set SCAN TIME PER DIVISION to 10 SECONDS and adjust FOCUS and ASTIGMATISM for the smallest round spot possible.
- c. Reset SCAN TIME PER DIVISION to 5 MILLISECONDS. Adjust TRACE ALIGN so that horizontal base line of the CRT trace is exactly parallel to the horizontal graticule lines.

4-17. IF Section Display Adjustments

- a. Adjust VERTICAL POSITION so that the horizontal base line of the CRT trace is exactly on the bottom horizontal graticule line of the CRT. Set LOG REF LEVEL to 0 dBm.
- b. Adjust HORIZONTAL POSITION so display is centered on CRT. Then adjust HORIZONTAL GAIN until the displayed scan width is exactly 10 divisions. Some interaction between HORIZONTAL POSITION and GAIN may occur, requiring slight readjustment of the controls.

The display on your CRT should now match Figure 4-1 almost exactly. (The amplitudes of the individual signals may be slightly different.)

- c. Note the inverted marker below the bottom graticule line. This marker indicates the display center frequency of the ZERO and SCAN WIDTH PER DIVISION tuning modes. Adjust the FREQUENCY control to place this *marker* exactly under the signal three divisions from the left,

This signal is the 30 MHz calibrator signal. Tune the marker carefully to null the signal.

NOTE

The other signals on the display are the "zero frequency" First LO feed through and the 60 MHz and 90 MHz harmonics of the calibrator signal.

- d. Set the SCAN WIDTH PER DIVISION control to .05 MHz and the BANDWIDTH to 10 kHz.

- e. Switch the red SCAN WIDTH control to the PER DIVISION position. The BANDWIDTH, SCAN WIDTH PER DIVISION, and Center Frequency are now those selected in steps c and d. (The marker makes it easy to select any signal in 0-100 MHz scan and expand the display about that signal.)

- f. Adjust FREQUENCY tuning to center 30 MHz calibrator signal, if necessary. Then reduce SCAN WIDTH PER DIVISION to 10 kHz. Use FINE TUNE to center the signal on the display, (The analyzer's First LO is automatically phase-locked to a crystal oscillator reference for the blue color-coded SCAN WIDTH positions since the TUNING STABILIZER was set on. Therefore, the FREQUENCY control — which tunes the First LO — should not be used to tune the analyzer; frequency would tune in 100 kHz steps,)

- g. Adjust the LOG REF LEVEL controls so the maximum signal amplitude is exactly on the -70 dB, graticule line. Rotate LOG REF LEVEL control seven steps in the clockwise direction. The amplitude of the signal should increase in increments of one division per 10-dB step (see Figure 4-2),

- h. Adjust VERTICAL GAIN to place maximum signal amplitude exactly on LOG REF (top) graticule line (Figure 4-2). Repeat steps g and h to obtain optimum adjustment of VERTICAL GAIN (increments as close to one division per 10 dB step as possible),

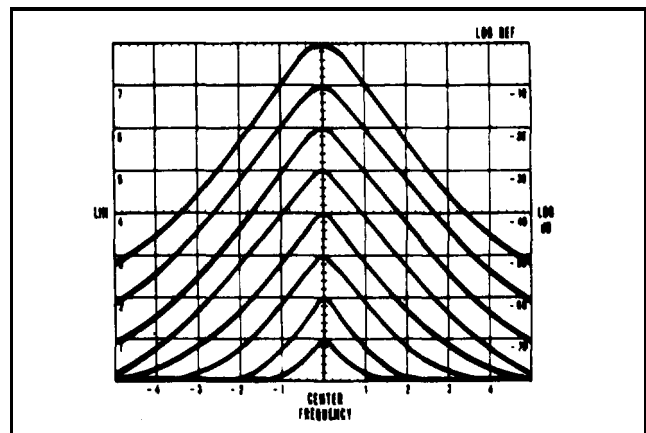


Figure 4-2. Vertical Gain Adjustment

4-18. Ampl. Cal Adjustment Resection

- a. Set the LOG REF LEVEL controls to -30 dBm (-30 +0).
- b. Adjust AMPL CAL so that the signal amplitude (-30 dBm) is exactly on the LOG REF (top) graticule line of the CRT.

The analyzer is now calibrated in the LOG display mode.

4-19. Ampl Cal Check for Linear Sensitivity Accuracy

4-20. In the LINEAR display mode the vertical display is calibrated in absolute voltage. For LINEAR measurements the LIN scale factors on the left side of the CRT and the blue color-coded scales of the LINEAR SENSITIVITY controls are used. The signal voltage is the product (note lighted "x" lamp) of the CRT deflection and LINEAR SENSITIVITY control settings. It is usually most convenient to normalize the LINEAR SENSITIVITY vernier by setting it to "1" (blue scale).

- a. Set the LOG-LINEAR switch to LINEAR, Set LINEAR SENSITIVITY to 1 mV/div (1 mV x 1).

Since the -30 dBm calibrator output is \cong mV (across 50 ohms), the CRT deflection should be \cong 7.1 divisions.

NOTE

For standard options H01/H02 the CRT deflection should be \approx 8.7 mV across 75 ohms.

- b. Adjust AMPL CAL on RF Section for a \cong 7.1 div CRT deflection, if necessary. (LINEAR display is more expanded than the compressed LOG display, so adjustment of the AMPL CAL control can be made with more resolution in LINEAR without noticeable effect on the LOG calibration.)

The analyzer is now calibrated for both the LOG and LIN display modes.

4-21. Set controls as follows:

- SCAN WIDTH, 0-100 MHZ
- SCAN WIDTH PER DIVISION 10 MHz
- BANDWIDTH 10 kHz
- LOG LINEAR10 dB LOG
- LOG REF LEVEL -10 dBm
- TUNING STABILIZER On

Perform tests in Table 4-1, Front Panel Checks.

NOTE

Make NO Front Panel adjustments with LOG- LINEAR set to 2 dB LOG.

Table 4-1. Front Panel Checks

Function	Procedure	Result
Base Line Clipper	1. Turn BASE LINE CLIPPER cw. 2. Return clipper to ccw.	1. At least the bottom 2 divisions should blank.
Scan	3. Tune SCAN TIME across its range. 4. Return to 5 ms/div.	3. Scan should occur in all positions.
Scan Width	5. Turn SCAN WIDTH to PER DIVISION. 6. Center CAL OUTPUT signal on display. 7. Reduce SCAN WIDTH PER DIVISION to 20 kHz; use FINE TUNE to center display.	5.30 MHz signal and harmonics visible. DISPLAY UNCAL light comes on. 7. Signal remains on-screen, centered.
Phase Lock	8. With TUNING STABILIZER on, slowly turn the FREQUENCY control. 9. Turn TUNING STABILIZER to OFF; use FREQUENCY to center display. 10. Turn TUNING STABILIZER on, use FINE TUNE to center display,	8. Signal jumps to left or right hand edges of CRT (± 100 kHz). This corresponds to the 100 kHz reference oscillator in the automatic phase control circuit. 9. Signal should tune continuously. 10. Signal should not jump 100 kHz.
Bandwidth and Display Uncal Light	11. Reduce BANDWIDTH, SCAN TIME PER DIVISION, and SCAN WIDTH PER DIVISION, using FINE TUNE to center display. 12. Return BANDWIDTH to 10 kHz, SCAN WIDTH PER DIVISION to 20 kHz and SCAN TIME PER DIVISION to 5 MILLISECONDS.	11. Display should be stable, and viewable as long as DISPLAY UNCAL is unlit.
Calibration	13. Lit index light on LOG REF LEVEL. LINEAR SENSITIVITY corresponds to top line of graticule; with input attenuation at 20 dB and LOG REF LEVEL at -10 dBm, signal level is -30 dBm.	13. Calibrator signal is -30 dBm level (2 divisions down from top of graticule).
Gain Vernier	14. Turn LOG REF LEVEL LINEAR SENSITIVITY vernier cw.	14. Signal level increases by amount marked on vernier dial.
Attenuators	15. Turn INPUT ATTENUATION and LOG REF LEVEL-LINEAR SENSITIVITY in 10 dB steps.	15. Signal increases or decreases one vertical division per 10 dB step.

PERFORMANCE TESTS

4-23. Calibrator Output

SPECIFICATION:

Amplitude: .30 dBm ±0.3 dB
Frequency: 30 MHz ± 3 kHz

DESCRIPTION: The Calibrator's amplitude accuracy is checked by comparing the 30 MHz fundamental signal with a source of known accuracy. The frequency is checked by amplifying the signal and measuring it with a frequency counter.

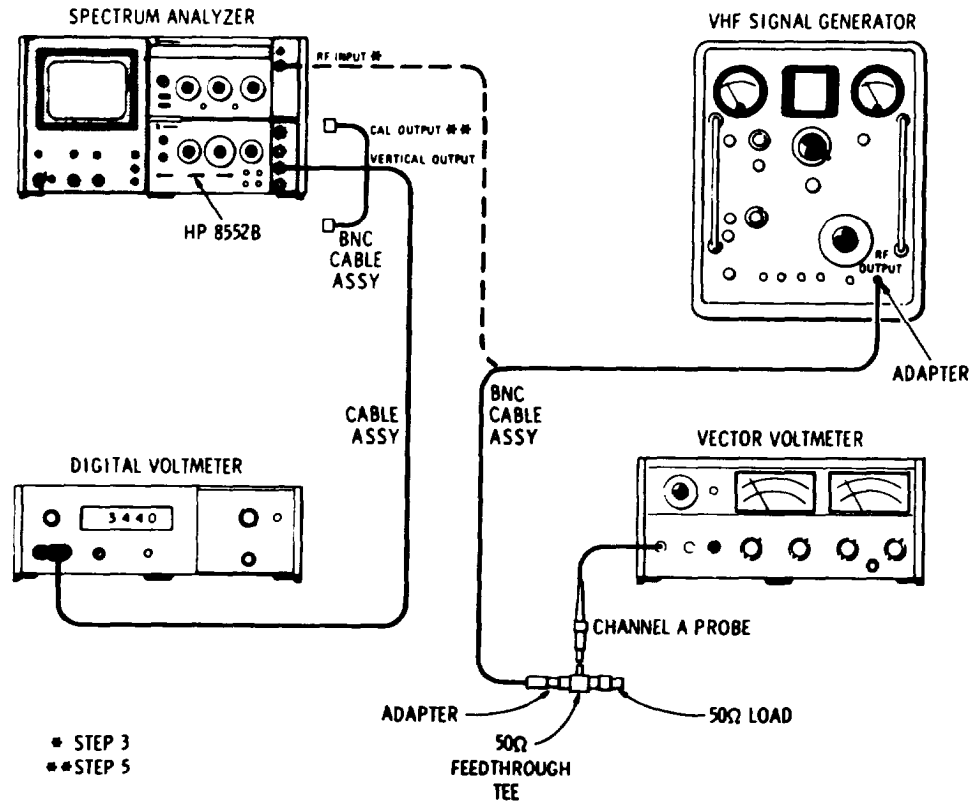


Figure 4-3. Calibrator Amplitude Test Setup

EQUIPMENT:

SIGNAL GENERATOR	HP608F
CABLE ASSEMBLY (2).	HP10503A
CABLE ASSEMBLY	HP11001A
50-OHM TEE	HP11536A
ADAPTER (2)	UG-201A/U
50-OHM TERMINATION	HP 908A
AMPLIFIER	HP 8447A
FREQUENCY COUNTER	HP 5245 L
VECTOR VOLTMETER	HP 8405A
DIGITAL VOLTMETER	HP 3440A/3443A

PERFORMANCE TESTS

4-23. Calibrator Output (cont'd)

1. Connect the equipment as shown in Figure 4-3 and make the following settings:

ANALYZER:

RANGE MHz	0-110
FREQUENCY	30 MHz
BANDWIDTH	300 kHz
SCAN WIDTH	PER DIVISION
SCAN WIDTH PER DIVISION	1 MHz
INPUT ATTENUATION	10 dB
SCAN TIME PER DIVISION	5 Milliseconds
LOG-LINEAR	LINEAR
LINEAR Sensitivity	1 mV/DIV
VIDEO FILTER	OFF
SCAN MODE	INT
SCAN TRIGGER	AUTO

8405A:

FREQ. RANGE -MC	20-40
CHANNEL	
AMPLITUDE RANGE - dB	-30

608F:

FREQUENCY RANGE	
MEGACYCLES	30
MODULATION	Cw
ATTENUATION	-30 dBm

3440A:

RANGE	AUTO
-------	------

2. Use signal generator ATTENUATOR VERNIER to set generator amplitude to exactly -30 dBm (7.22 mV for Options H01/H02) as read on vector voltmeter.
3. Disconnect the signal generator from the vector voltmeter; connect signal generator to analyzer RF INPUT, Center the signal on the CRT display with analyzer FREQUENCY control.
4. Set SCAN WIDTH to ZERO and peak the trace with analyzer FREQUENCY control. Use analyzer LINEAR SENSITIVITY vernier to set signal level (as read on digital voltmeter) to 700 ± 0.4 mV. Do not change LINEAR SENSITIVITY vernier during remainder of check.
5. Disconnect the signal generator from RF INPUT and connect CAL OUTPUT to RF INPUT. Peak trace with FREQUENCY control. Signal level (as read on digital voltmeter) should be between 670 and 731 mV (± 0.3 dB):

670 _____ 731 mV

PERFORMANCE TESTS

4-23. Calibrator Output (cont'd)

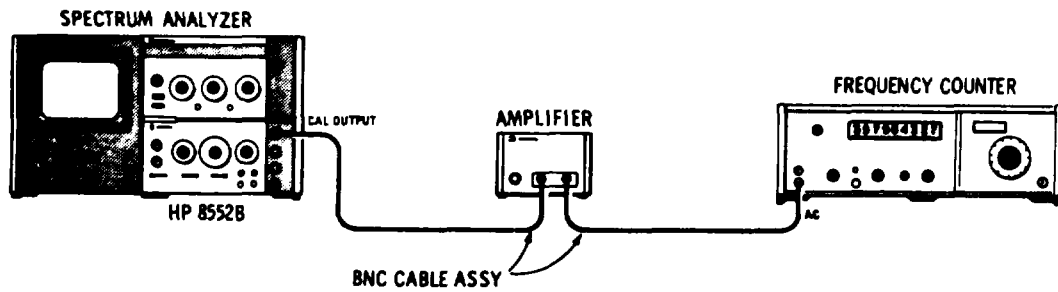


Figure 4-4. Calibrator Frequency Check Test Setup

6. Connect the equipment as shown in Figure 4-4 and make the following settings:

HP 5245L:
 SAMPLE RATE 9 o'clock
 TIME BASE.
 FUNCTION. FREQUENCY

7. Read CAL OUTPUT on the frequency counter, 30 MHz ± 3 kHz.

29.997 _____ 30.003 MHz

4-24. Bandwidth Accuracy

SPECIFICATION: Individual IF bandwidth 3 dB points calibrated to ±20% (10 kHz bandwidth ± 5%).

DESCRIPTION: While observing a signal on the CRT display, all bandwidths except 10 kHz are verified by measuring the half-power points of the signal. The 10 kHz bandwidth is measured by using a frequency counter to monitor the input signal generator frequency as it is tuned between the IF filter half-power points.

EQUIPMENT:

SIGNAL GENERATOR HP 608F
 FREQUENCY COUNTER HP 5245L
 CABLE ASSEMBLY (2) HP 10503A
 ADAPTER UG-201A/U

1. Make the following analyzer control settings:

RANGE-MHz
 FREQUENCY 30 MHz
 BANDWIDTH 300 kHz
 SCAN WIDTH PER DIVISION
 SCAN WIDTH PER DIVISION05 MHz
 INPUT ATTENUATION 10 dB
 SCAN TIME PER DIVISION 6 MILLISECONDS
 TUNING STABILIZER On
 BASE LINE CLIPPER Max ccw
 LOG-LINEAR LINEAR

PERFORMANCE TESTS

4-24. Bandwidth Accuracy (cont'd)

Analyzer control settings (cont'd)

LINEAR SENSITIVITY2mV/Div
 VIDEO FILTER 10 kHz
 SCAN MODE INT
 SCAN TRIGGER AUTO

2. Connect CAL OUTPUT to RF INPUT.
3. Use LINEAR SENSITIVITY vernier control to adjust for 5.7 divisions signal amplitude.
4. Measure the bandwidth at the half-power points at the 4.0 division line. Bandwidth should be 300 ± 60 kHz (4.8 to 7.2 divisions).

NOTE

4.8 _____ 7.2 div

The bandwidth checks (Table 4-2), assume the use of the 8553B RF Section and 141 T Display Section. With other RF Sections, some bandwidths aren't used; on bandwidths that are used it may be impossible to achieve the resolution needed to take the reading.

5. Repeat steps 3 and 4 to measure the bandwidths listed in Table 4-2, and set the controls as indicated in the table. (When checking .03 and .01 kHz bandwidths: set SCAN MODE to SINGLE, PERSISTENCE to MAX and push single scan button. When finished, set SCAN MODE to INT, PERSISTENCE to MIN.)

Table 4-2. Bandwidth Checks

BANDWIDTH	SCAN WIDTH PER DIVISION	SCAN TIME PER DIVISION	3 dB Bandwidth
100 kHz	20 kHz	5 MILLISECONDS	4.0 _____ 6.0 div
30 kHz	5 kHz	5 MILLISECONDS	4.8 _____ 7.2 div
3 kHz	0.5 kHz	10 MILLISECONDS	4.8 _____ 7.2 div
1 kHz	0.2 kHz	10 MILLISECONDS	4.0 _____ 6.0 div
0.3 kHz	.05 kHz	10 MILLISECONDS	4.8 _____ 7.2 div
0.1 kHz	.02 kHz	0.2 SECONDS	4.0 _____ 6.0 div
.03 kHz	.02 kHz	1 SECONDS	1.2 _____ 1.8 div
.01 kHz	.02 kHz	1 SECONDS	0.4 _____ 0.6 div

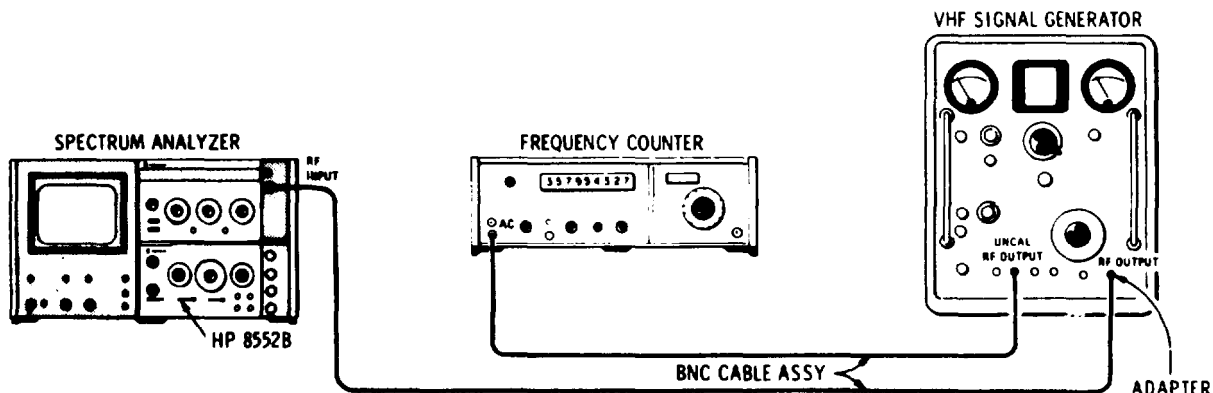


Figure 4-5. 10 kHz Bandwidth Accuracy Test Setup

PERFORMANCE TESTS

4-26. Switching Between Bandwidths Accuracy

SPECIFICATION: At 20°C, Log Linear

0.1-300 kHz	±0.5 dB	±5.8%
0.03-300 kHz	±1.0 dB	±12.0%
0.01-300 kHz	±1.5 dB	±19.0%

DESCRIPTION: Relative bandwidth amplitude accuracy is verified by observing the amplitude of the CAL OUTPUT signal while switching IF bandwidths. The display is observed in the LINEAR mode for best amplitude resolution.

- Connect CAL OUTPUT to RF INPUT and set analyzer controls as follows:

RANGE - MHz	0-110
FREQUENCY	30 MHz
FINE TUNE	Centered
BANDWIDTH	300kHz
SCAN WIDTH	PER DIVISION
SCAN WIDTH PER DIVISION	0.5 MHz
INPUT ATTENUATION	
SCAN TIME PER DIVISION	5MILLISECONDS
BASE LINE CLIPPER	Maxccw
LOG LINEAR	LINEAR
LINEAR Sensitivity	2 mV / DIV
TUNING STABILIZER	ON
VIDEO FILTER	10kHz
SCAN MODE	INT
SCAN TRIGGER	AUTO
- Adjust FREQUENCY to center CAL OUTPUT signal on CRT.
- Set LINEAR SENSITIVITY controls for a 7.0 division display; set SCAN TIME PER DIVISION to 0.2 SECONDS, SCAN WIDTH PER DIVISION to .05 MHz.
- Progressively switch BANDWIDTH from 300 kHz through 1 kHz. Note the signal amplitude at each BANDWIDTH setting.

NOTE

Steps 5 and 6 require use of a 141 type variable persistence Display Section.

- Set SCAN WIDTH to .05 kHz; set SCAN TIME PER DIVISION to 1 SECOND.
- progressively switch BANDWIDTH from 0.3 kHz to 0.01 kHz. Again note the signal amplitude at each BANDWIDTH setting. The maximum deviation between any two bandwidths (100 Hz to 300 kHz) should be less than 0.8 division. The maximum deviation between any two bandwidths (30 Hz to 300 kHz) should be less than 1.6 division. The maximum deviation between any two bandwidths (10 Hz to 300 kHz) should be less than 2.6 division.

100 Hz to 300 kHz:	_____	0.8 div
30 Hz to 300 kHz:	_____	1.6 div
10 Hz to 300 kHz:	_____	2.6 div

PERFORMANCE TESTS

4-28. Scan Time Accuracy

SPECIFICATION:

- 0.1 ms/div up to 20 ms/div $\pm 10\%$.
- 50 ms/div to 10s/div $\pm 20\%$.

DESCRIPTION: A sine wave modulated RF signal is connected to the RF INPUT. The demodulated signal is displayed on the analyzer CRT and its peaks aligned with the CRT graticule by adjusting the modulation frequency. Scan time is verified by measuring the period average of the modulation signal using a frequency counter.

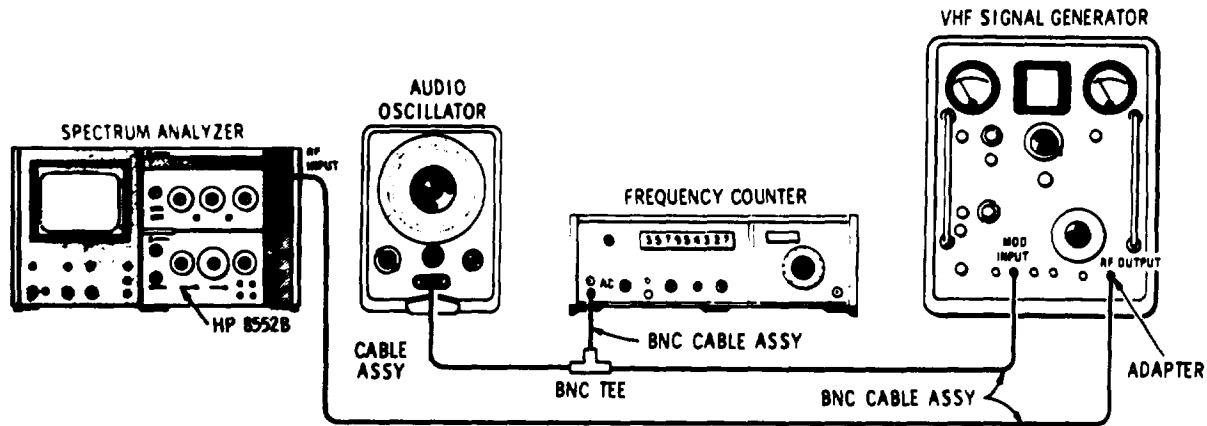


Figure 4-6. Scan Time Accuracy Test Setup

EQUIPMENT:

FREQUENCY COUNTER	#	HP 5245L
AUDIO OSCILLATOR		HP 200CD
SIGNAL GENERATOR		HP 608F
CABLE ASSEMBLY (3)		HP 10503A
CABLE ASSEMBLY		HP 11001A
BNC Tee		UG-274B/U
ADAPTER		UG-201A/U

1. Connect the test setup in Figure 4-6 and make the following control settings:

ANALYZER:

RANGE - MHz		0-110
FREQUENCY		30 MHz
FINE-TUNE		Centered
BANDWIDTH		300 kHz
SCAN WIDTH		ZERO
INPUT ATTENUATION		10 dB
SCAN TIME PER DIVISION		2 MILLISECONDS
BASE LINE CLIPPER	0 0	Max CCW
LOG LINEAR		LINEAR
LINEAR SENSITIVITY " :		1 mV/DIV
VIDEO FILTER		10 kHz
SCAN MODE		INT
SCAN TRIGGER " : : ; :		VIDEO

PERFORMANCE TESTS

4-28. Scan Time Accuracy(cont'd)

608F :

MEGACYCLES30
 ATTENUATION-40dBm
 MODULATIONEXTAM
 FREQUENCY RANGE B

5245L:

SENSITIVITY (VOLTS RMS) 0.1
 FUNCTION PERIOD AVERAGE -(10)
 TIME BASE 10μs

200CD :

RANGE X100
 Frequency Dial ,5

2. Adjust the HP 200CD AMPLITUDE for 90% modulation as indicated on the HP 608F panel meter.
3. Fine tune the HP 608F Signal Generator for maximum signal indication of the analyzer CRT. Adjust LINEAR SENSITIVITY Vernier control for a convenient display height.
4. Position the first modulation peak directly on the -5 graticule line by adjusting the HORIZONTAL POSITION control.
5. Adjust the audio oscillator modulation frequency to align the tenth modulation peak with the +4 graticule line (see Figure 4-7). Total scan time is read on the HP 5245L and should be 2.0 ± 0.2 ms.

1.8 _____ 2.2 ms

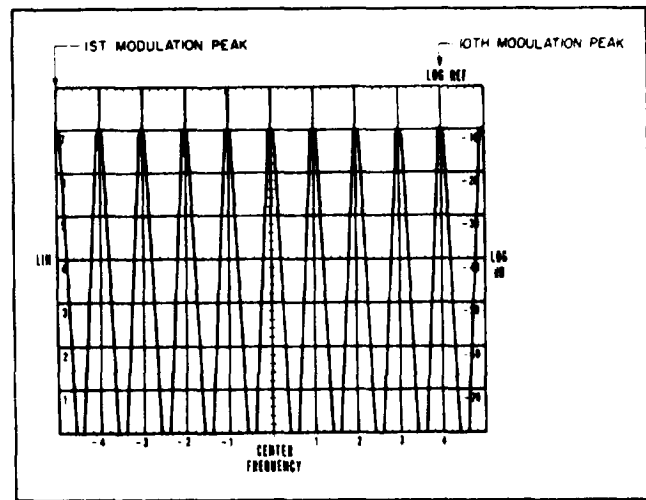


Figure 4-7. Scan Time Modulation Peaks

6. Repeat steps 4 and 5 to verify the SCAN TIME PFR DIVISION positions as listed in Table +4. The approximate HP 200CD frequency settings and HP 5245L PERIOD AVERAGE tolerances are also contained in Table 4-4.

Table 4-4. Modulation Frequencies for Checking Scan Time

SCAN TIME PER DIVISION	HP 200CD Frequency	Scan Time
0.1 MILLISECONDS	10 kHz	90 _____ 110 μs
0.2 MILLISECONDS	5 kHz	180 _____ 220 μs
0,5 MILLISECONDS	2 kHz	450 _____ 550 μs
1 MILLISECOND	1 kHz	0.9 _____ 1.1 ms
2 MILLISECONDS	500 Hz	1.8 _____ 2.2 ms
5 MILLISECONDS	200 Hz	4.5 _____ 6.5 ms
10 MILLISECONDS	100 Hz	9.0 _____ 11.0 ms
20 MILLISECONDS	50 Hz	18.0 _____ 22.0 ms
60 MILLISECONDS	20 Hz	40.0 _____ 60.0 ms
0.1 SECONDS	10 Hz	80.0 _____ 120.0 ms
0.2 SECONDS	5 Hz	160 _____ 240.0 ms

Table 4-5. Performance Check Test Record

Hewlett-Packard Model 8552B Spectrum Analyzer IF Section Serial No. _____		Test Performed by: _____ Date: _____			
Para. No.	Test Description	Measurement Unit	Min	Actual	Max
4-23	Calibrator Output Amplitude: -30 dBm ±0.3 dB Frequency: 30 MHz, ± 3 kHz	millivolts MHz	676 29.997	_____	724 30.003
4-24	Bandwidth Accuracy Bandwidths: ± 20% 10 kHz Bandwidth: ± 5%				
	300 kHz Bandwidth	divisions		_____	7.2
	100 kHz Bandwidth	divisions		_____	6.0
	30 kHz Bandwidth	divisions		_____	7.2
	10 kHz Bandwidth	kHz		_____	10.5
	3 kHz Bandwidth	divisions		_____	7.2
	1 kHz Bandwidth	divisions		_____	6.0
	.3 kHz Bandwidth	divisions		_____	7.2
	.1 kHz Bandwidth	divisions		_____	6.0
	.03 kHz Bandwidth	divisions		_____	1.8
	.01 kHz Bandwidth	divisions		_____	0.6
4-25	Bandwidth Selectivity				
	Bandwidths	ratio		_____	20:1
	300 kHz	ratio		_____	20:1
	100 kHz	ratio		_____	20:1
	30 kHz	ratio		_____	20:1
	10 kHz	ratio		_____	20:1
	1 kHz	ratio		_____	11:1
	0.3 kHz	ratio		_____	11:1
	0.1 kHz	ratio		_____	11:1
	0.03 kHz	ratio		_____	11:1
	0.01 kHz	ratio		_____	11:1
	0.01 kHz	Hz			— 100
4-26	Switching Between Bandwidths				
	±0.5 dB 100 Hz to 300 kHz	divisions		_____	0.8
	±1.0 dB 30 Hz to 300 kHz	divisions		_____	1.6
	±1.6 dB 10 Hz to 300 kHz	divisions		—	2.6
4.27	Amplitude Display				
	Accuracy at -10 dB: ±.15 dB	divisions	6.85	_____	7.15
	-20 dB: ±.15 dB	divisions	5.85	—	6.15
	-30 dB: ±.15 dB	divisions	4.86	_____	5.15
	-40 dB: ±.15 dB	divisions	3.85	—	4.15
	-50 dB: ±.15 dB	divisions	2.85	—	3.15
	-60 dB: ±.15 dB	divisions	1.85	—	2.15
	-70 dB: ±.15 dB	divisions	0.85	—	1.15

Table 4-5. Performance Check Test Record (cont'd)

Para. No.	Test Description	Measurement Unit	Min	Actual	Max
4-28	Scan Time Accuracy at 0.1 MILLISECONDS 0.2 MILLISECONDS 0.5 MILLISECONDS 1 MILLISECONDS 2 MILLISECONDS 5 MILLISECONDS 10 MILLISECONDS 20 MILLISECONDS 50 MILLISECONDS 0.1 SECONDS 0.2 SECONDS	 μ s μ s μ s ms ms ms ms ms ms ms ms ms ms	 90 180 450 0.9 1.8 4.5 9.0 18.0 40.0 80 160	 _____ _____ _____ _____ _____ _____ _____ _____ _____ _____ _____ _____	 110 220 550 1,1 2,2 5,5 11.0 22,0 60,0 120 240

SECTION V ADJUSTMENTS

5-1. INTRODUCTION

5-2. This section describes adjustments and checks required to return the analyzer IF section to peak operating condition when repairs are required. Included in this section are test setups, procedure, and tips about tools and test equipment. Adjustment location photographs are located on fold-outs at the back of the manual. A test record for recording data taken during adjustment procedures is included at the end of this section. The analyzer must warm up one hour before any adjustments are attempted.

5-3. EQUIPMENT REQUIRED

5-4. A complete list of test equipment and a list of accessories are contained in Table 1-2. In addition, each test procedure contains a list of test equipment and identifies all test equipment and accessories by call-outs. Any equipment substituted for the instruments or accessories listed must meet the minimum specifications in order to calibrate the analyzer.

5-5. Posidriv Screwdrivers

5-6. Many screws in the instrument appear to be Phillips, but are not. The table of accessories gives the name and number of the Posidriv screwdrivers designed to fit these screws. To avoid damage to the screw slots, the Posidriv screwdrivers should be used.

5-7. Slug Tuning Tools

5-8. Use HP 8710-1010 and HP 8710-0957 tuning tools for tuning the slugs in the ferrite inductors in the IF Section. No other tools should be used for this purpose.

5-9. Blade Tuning Tools

5-10. For adjustments requiring a nonmetallic metal-blade tuning tool, use the General Cement Model No. 5003 (HP 8730-0013). It may be necessary to cut away part of the plastic on the tuning blade end to use the tool on all the adjustments. In situations not requiring nonmetallic tuning tools, an ordinary small screwdriver or other suitable tool is sufficient. No matter what tool is used, never try to force any adjustment control in the analyzer. This is especially critical when tuning variable slug tuned inductors and variable capacitor.

5-11. HP 11692A Service Kit

5-12. The HP 11592A Service Kit is an accessory item available from Hewlett-Packard for use in maintaining the spectrum analyzer. No attempt to adjust the analyzer should be made unless the user has the service kit.

5-13. Table 1-2 contains a detailed description of the contents of the service kit. Any item in the kit may be ordered separately if desired. The wiring in the 11S92-60015 Extender Assembly is especially critical and fabrication should not be attempted. Other items in the kit may be built if desired.

5-14. Extender Cable Installation

5-15. Plug-in Removal. Push the front panel latch in the direction indicated by the arrow until the latch disengages and pops out from the panel. Pull the plug-ins out of the instrument. Locate the black press-to-release button on the left side of the RF Section. Press the button and firmly pull the two sections apart.

5-16. When the two sections separate at the front panel, raise the upper section until it is above the lower section by two or three inches at the front panel. Disengage the metal tab-slot connection at the rear of the plug-ins and separate the two sections.

5-17. Plug-in Cover Removal

5-18. Remove the bottom cover from the IF Section. Do not remove the shield covers from the A1/A12, A13 and A8 assemblies in the IF Section until those assemblies are to be adjusted.

WARNING

“Some of the maintenance and servicing operations described herein are performed with power supplied to the instrument while protective covers are removed. Be careful when performing these operations. Line voltage is always present on terminals including the power input connector, fuse holder, power switch, etc. In addition, when the in-

strument is on, energy available at many points may result in personal injury or death when contacted. ”

5-19. Extender Connections

5-20. Place the plate end of the HP 11592-60015 Extender Assembly in the display section and press firmly into place so that both plugs make contact. The plate and plugs cannot be installed upside down as the plate has two holes corresponding to two guide rods in the mainframe.

5-21. Connect the upper cable plug to the RF Section and the lower cable plug to the IF Section. The plugs are keyed so that they will go on correctly and will not make contact upside down. Connect the HP 11592-60016 Interconnection Cable Assembly between the RF and IF Sections. The connectors are keyed by the shape of the plug and the arrangement of the pins. Press the connectors firmly together and extend the instrument sections as far apart as the cables will allow without putting stress on the connectors.

5-22. FACTORY SELECTED COMPONENTS

5-23. Table 5-4 contains a list of factory selected components by reference designation, basis of selection, and schematic diagram location on which the component is illustrated. Factory selected components are designated by an asterisk (*) on the schematic diagrams in Section VIII of this manual.

5-24. RELATED ADJUSTMENTS

5-25. The adjustment procedures are arranged in numerical order. Many adjustments are directly re-

lated to preceding or following ones. The following sets of adjustments are related, and if one adjustment in the set is made, the other procedures in that set should be checked or adjusted.

Power Supply Checks and Adjustments (para. 5-27).

Scan Circuits

1. Horizontal Scan Checks and Adjustments (para. 5-28),
2. Final Scan Checks (para. 5-29).

Log/Linear Amplifier Circuits

1. Vertical Deflection Amplifier Checks (para. 5-30).
2. Log/Linear Amplifier Checks and Adjustments (para. 5-31).

3 MHz IF Circuits

1. 300 kHz Bandpass Filter Adjustment (para. 5-32).
2. LC Filter Adjustments (para. 5-33).
3. Crystal Filter Fine Adjustment (para. 5-34).
4. 3 MHz IF Gain Adjustment (para. 5-36).

Converter Circuits

1. 47 MHz Local Oscillator Automatic Phase Lock Check and Adjustment (para. 5-37).
2. 50 MHz IF Bandpass Check and Adjustment (para. 5-38).
3. 44 MHz Rejection Adjustment (para. 5-39).

30 MHz Calibration Oscillator Check and Adjustment (para. 5-40).

Analogic Check and Adjustment (para. 5-41).

ADJUSTMENTS

5-26. CHECKS AND ADJUSTMENTS

5-27. Power Supply Check and Adjustment

REFERENCE: Schematic 19.

DESCRIPTION: The spectrum analyzer IF Section regulates power fed from the display section. These checks verify and validate the display section power supply voltages and the regulated voltages in the spectrum analyzer plug-ins.

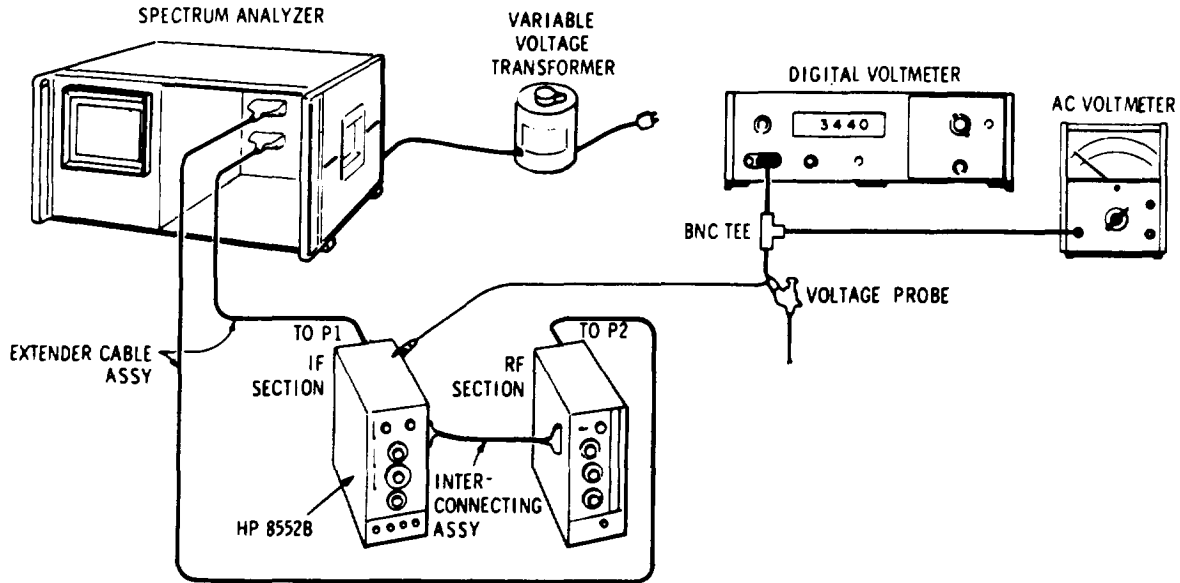


Figure 5-1. Power Supply Check and Adjustment Test Setup

EQUIPMENT:

EXTENDER ASSEMBLY	HP 11592-60015
DIGITAL VOLTMETER	HP 3440A/3443A
INTERCONNECTION ASSEMBLY	HP 11592-60016
STRAIGHT-THROUGH VOLTAGE PROBE	HP 10025A
VARIABLE VOLTAGE TRANSFORMER	W5MT3A
AC VOLTMETER	HP 400E
BNC TEE	UG-274 B/U

1. Connect the test setup shown in Figure 5-1. Measure the dc display voltages with the HP 3440A/3443A Digital Voltmeter while the analyzer plug-ins are installed on extender cables.

Test Point (to Chassis)	Wire Color	Voltage
P1-9	red	+250 ± 3 Vdc
P1-4, P2-2	wht/red	+100 ± Vdc
P1-6, P2-6	vio	-100 ± Vdc
F1, F2	wht /vio	-12.6 ± Vdc

2. If the display section supplies need adjustment, refer to the manual provided with the display section for instructions.

ADJUSTMENTS

5-27. Power Supply Check and Adjustment (cont'd)

3. Connect the digital voltmeter to the IF Section XA5-11 (wht/blk/red lead, Figure 8-8) and measure $+20 \pm 0.10$ Vdc. Ripple should be < 0.5 mV rms. These tolerances should be maintained as the line voltage is varied between 103.5 Vac and 126.5 Vac using the variable voltage transformer.
 $+19.90$ _____ $+20.10$ Vdc
4. If the +20 Vdc supply is out of tolerance, adjust ASR16 +20V ADJ on the power supply assembly for $+20V \pm 0.1$ Vdc.
5. Connect the digital and ac voltmeters to the IF Section XA6-8 (wht/blk/vie) and measure -10 ± 0.01 Vdc. Ripple should be < 0.5 mV rms. These tolerances should be maintained as the line voltage is varied between 103.5 Vac and 126.5 Vac using the variable voltage transformer.
 -8.99 _____ -10.01 Vdc
6. If the -10 Vdc supply is out of tolerance, adjust ASR82 -10V ADJ on the power supply assembly for $-10V \pm 0.01$ Vdc.

5-28. Horizontal Scan Check and Adjustment

REFERENCE: Schematic 15,16.

DESCRIPTION: The SCAN OUT voltage is measured and pre-set in this procedure. The Final Scan Check (paragraph 5-29) is then performed. The SCAN OUT voltage waveform is observed and adjustments made, if necessary, to obtain the proper waveform.

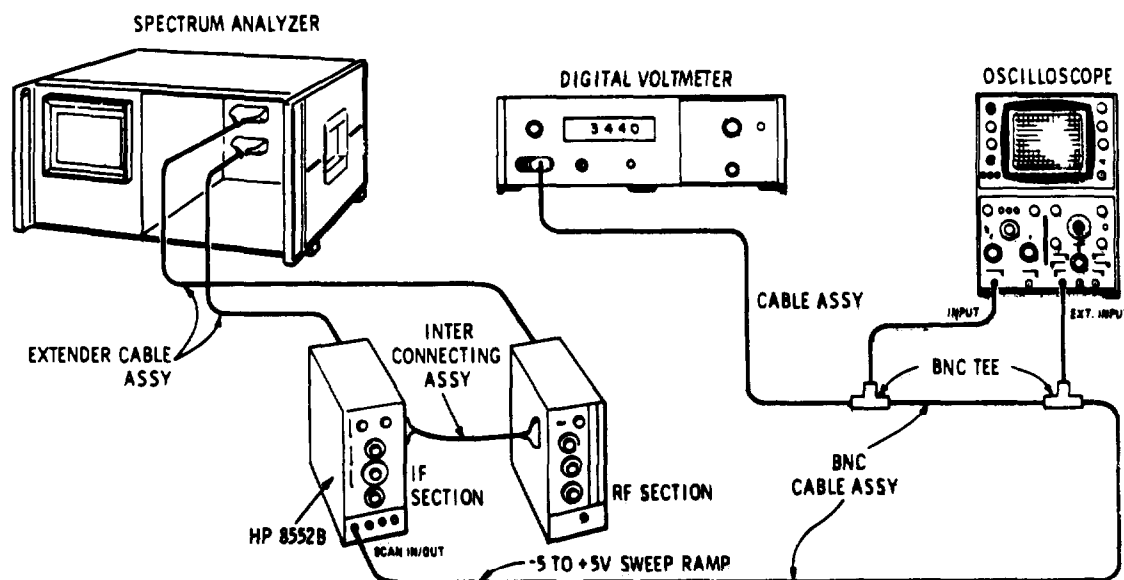


Figure 5-2. Scan Generator Check and Adjustment Test Setup

ADJUSTMENTS

5-28. Horizontal Scan Check and Adjustment (cont'd)

EQUIPMENT:

OSCILLOSCOPE	HP 180A/1801A/1821A
DIGITAL VOLTMETER	HP 3440/3443A
EXTENDER ASSEMBLY	HP 11592-60015
INTERCONNECTION ASSEMBLY	HP 11592-60016
BNC Tee (2)	UG-274B/U
CABLE ASSEMBLY (4)	HP 10503A
CABLE ASSEMBLY	HP 11001A

1. Connect the test setup shown in Figure 5-2 and make the following control settings:

ANALYZER:

BASE LINE CLIPPER	Max ccw
SCAN TIME PER DIVISION	5 MILLISECONDS
SCAN MODE	0 INT
SCAN TRIGGER	AUTO

180A/1801A/1821A:

HORIZONTAL SCALE	10 milliseconds/division
VERTICAL SENSITIVITY	2 volts/division
EXTERNAL TRIGGER	trigger on external dc signal

3440A/3443A:

SAMPLE RATE	9 o'clock
RANGE	AUTO

2. Synchronize the oscilloscope horizontal scan with the signal from the analyzer SCAN IN/OUT jack.

3. Observe and measure the SCAN IN/OUT waveform and compare it against the waveform shown in Figure 5-3. Rise time should be 54 ± 4 milliseconds.

50 _____ 58 ms

4. If rise time of the scan voltage is out of tolerance, adjust A6R12 SCAN TIME control. Then proceed with the remainder of the scan generator adjustments given below.

5. Set the analyzer SCAN TRIGGER to EXT. Use the digital voltmeter to measure the dc voltage level at the SCAN IN/OUT jack. Voltage should be -5.5 ± 0.02 Vdc.

-4.98 _____ -5.02 Vdc

6. If the voltage is out of tolerance, adjust A6R50 -5V ADJ control on the scan generator assembly.

7. Turn the SCAN TIME PER DIVISION control to 10 SECONDS. SCAN MODE to SINGLE; push the SINGLE button. (Note: This requires 100 seconds to reach peak.)

8. Observe the SCAN IN/OUT voltage as the scan reaches the right-hand edge of the graticule. The highest reading should be $+5.0 \pm 0.1$ Vdc. Repeat this operation several times to make sure the voltage reading is correct.

+4.9 _____ +5.1 Vdc

9. If the voltage is out of tolerance, adjust A6R46 SCAN AMPL control on the scan generator assembly and repeat steps 5 through 8 until both readings are correct.

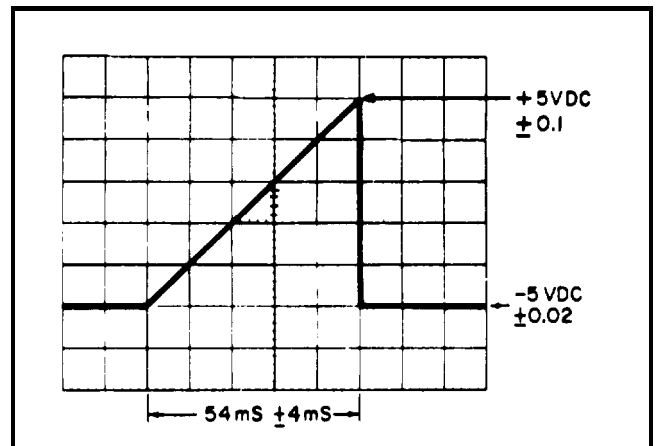


Figure 5-3. Scan Voltage Waveform Measurement

ADJUSTMENTS

5-29. Final Scan Check (cont'd)

9. Use the HORIZONTAL POSITION control to set the first modulation peak on the -5 graticule line. Adjust, if necessary, the audio oscillator modulation frequency to position the tenth modulation peak on the +4 graticule line. The peaks should align with each graticule line ± 0.1 division.

Graticule	Min	Actual	Max	Graticule	Min	Actual	Max
-5	-0.1	_____	+0.1	CENTER FREQUENCY	-0.1	_____	+0.1
-4	-0.1	_____	+0.1	+1	-0.1	_____	+0.1
-3	-0.1	_____	+0.1	+2	-0.1	_____	+0.1
-2	-0.1	_____	+0.1	+3	-0.1	_____	+0.1
-1	-0.1	_____	+0.1	+4	-0.1	_____	+0.1

10. Switch to each position of the SCAN TRIGGER switch and make sure that the scan triggers. To verify the EXT position, place an ac signal (5 Hz to 50 kHz) at the TRIGGER/BLANK INPUT.

EXT Trigger: 2 _____ 20 v p-p

11. To check VIDEO trigger operation, reduce the modulated signal input slowly to 1.5 divisions of vertical deflection. The scan should continue to trigger down to this level.

VIDEO TRIGGER: 1.5 divisions _____

12. To check the EXT position of the SCAN MODE switch, connect an 8-volt peak-to-peak, 1 kHz sine-wave signal from the HP 200CD Oscillator to the SCAN IN/OUT jack. A horizontal trace should appear on the CRT display.

EXT SCAN MODE: 8 V p-p _____

13. To check MAN position of the SCAN MODE switch, rotate MANUAL SCAN from full ccw to full cw. The trace should sweep across the CRT display from left to right (at least 10 full divisions)

MANUAL SCAN: 10 divisions _____

5-30. Vertical Deflection Amplifier Check

REFERENCE: Schematic 14.

DESCRIPTION: The A4 Crystal Filter Assembly is removed from the IF Section. A 3 MHz signal of known amplitude is applied at the input (XA4-14) of the LOG REF LEVEL LINEAR SENSITIVITY attenuator. The VERTICAL POSITION and VERTICAL GAIN controls and 2 dB LOG mode are then checked. A time domain waveform is then placed on the analyzer by an AM modulated 3 MHz signal at XA4-14. Operation of the BASE LINE CLIPPER is checked visually on the display.

ADJUSTMENTS

5-30. Vertical Deflection Amplifier Check (cont'd)

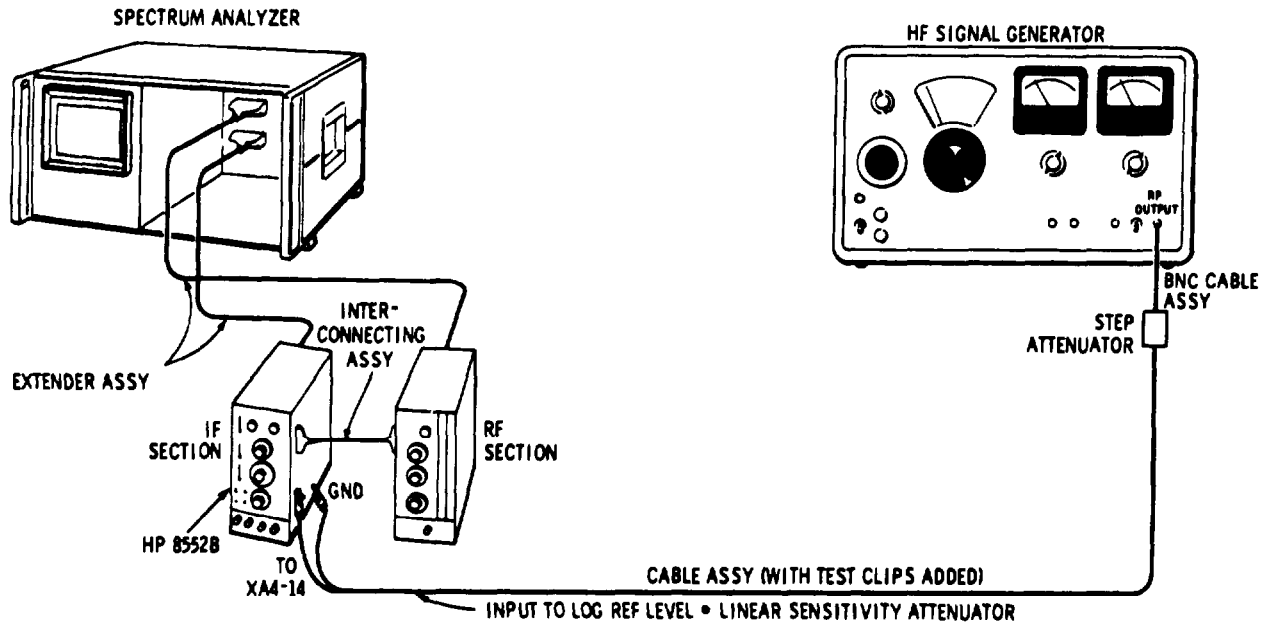


Figure 5-5. Vertical Deflection Amplifier Test Setup

EQUIPMENT:

SIGNAL GENERATOR	HP 606B
CABLE ASSEMBLY (with test clip installed)	HP 10601A
INTERCONNECTION ASSEMBLY	HP 11692-60016
EXTENDER ASSEMBLY	0 : HP 11592-60015
ATTENUATOR	HP 355D
CABLE ASSEMBLY	HP 10603A

1. With the analyzer power off, remove the A4 Crystal Filter board from the 8562B.
2. Connect the the setup shown in Figure 6-5, turn analyzer power ON, and set controls as follows:

ANALYZER:

INPUT ATTENUATION	0 dB
SCAN TIME PER DIVISION	2 MILLISECONDS
LOG REF LEVEL	0 , -20 dBm
LOG-LINEAR	10 dB LOG
BASE LINE CLIPPER	Max ccw
VIDEO FILTER	10 Hz
SCAN MODE	INT
SCAN TRIGGER	AUTO

606B:

FREQUENCY	3 MHz
ATTENUATOR (dBm)	0
MODULATION SELECTOR	CW
RANGE	4

ADJUSTMENTS

5-30. Vertical Deflection Amplifier Check (cont'd)

355D:

ATTENUATION100 dB

3. With an input signal at -100 dBm, adjust the front-panel VERTICAL POSITION control. The trace should move ± 2 vertical divisions as the control is moved through its range. -2 _____ +2 div
4. Reset the trace to the bottom vertical graticule line. Then increase the signal level to -50 dBm at XA4-14.
5. Switch LOG LINEAR to LINEAR. Observe the display as the VERTICAL GAIN control is turned through its full range. The trace should move at least two vertical divisions. 2 div _____
6. Set LOG-LINEAR to 10 dB LOG; set 606B to -100 dB. Set trace to bottom graticule line with VERTICAL POSITION.
7. Set 355D to 70 dB; using 606B VERNIER and ATTENUATOR, adjust trace to -70 dB graticule on CRT.
8. Set 355D to 0 dB. Set trace to LOG REF graticule with VERTICAL GAIN. Check trace alignment and adjust if necessary.
9. Repeat steps 6 through 8 until trace is split by graticule in each step.
10. Set 355 D to 0 dB. Switch LOG-LINEAR to 2 dB LOG and adjust A7R35 2 dB OFFSET (see Figure 8-8) to set trace to LOG REF graticule.
11. Set 355D to 10 dB. Note the difference between the trace and the -50 dB graticule; adjust A7R35 2 dB GAIN to move the trace to the -50 dB graticule.
12. Repeat steps 10 and 11 until the trace is at LOG REF graticule at 0 dB and a -50 dB graticule at -10 dB.

LOG REF at 0 dB: _____ (✓)
 -50 dB at -10 dB. _____ (✓)
13. Make the following control settings:
 ANALYZER:
 LOG- LINEAR10 dB LOG
 VIDEO FILTER OFF
 606B:
 MODULATION SELECTOR, ..., INT 100Hz
 MODULATION AMPLITUDE,....90%
 355D:
 ATTENUATION110
14. Turn the BASE LINE CLIPPER until the signal is blanked, The control arrow should indicate between 8 and 12 o'clock,
15. Increase the 356D to 50 dB. Set the SCAN TRIGGER to VIDEO.
16. The scan should trigger on the video signal. Turn the BASE LINE CLIPPER fully clockwise and check signal clipping.
17. The clipping circuit should function so that two to eight divisions of signal above the base line are blanked when the BASE LINE CLIPPER is fully clockwise. _____ 8 div

ADJUSTMENTS

5-31. Log Linear Amplifier Check and Adjustment

REFERENCE: Schematics 12, 13.

DESCRIPTION: A 3 MHz signal is applied at the input to the LOG REF LEVEL-LINEAR SENSITIVITY attenuator (XA4-14). The log and linear amplifier circuits are calibrated by varying the signal amplitude by known increments.

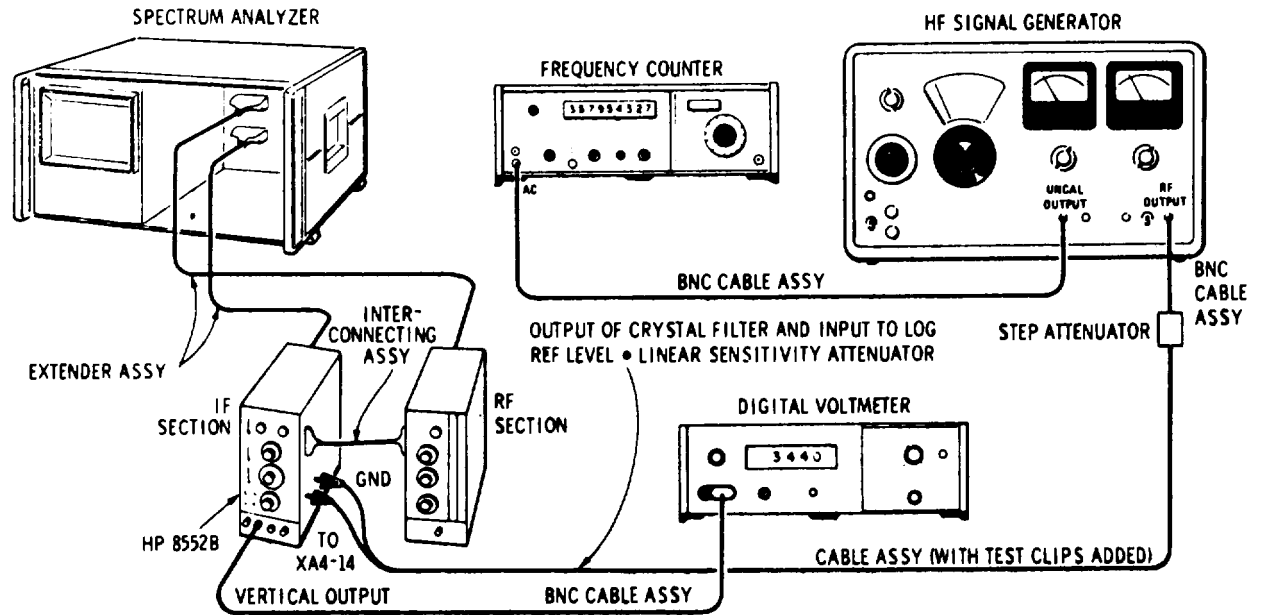


Figure 5-6. Log Linear Amplifier Check and Adjustment Test Setup

EQUIPMENT:

SIGNAL GENERATOR	HP 606B
FREQUENCY COUNTER	HP 5245L
CABLE ASSEMBLY (install test clips on unterminated end) : : : : :	HP 10501A
TUNING TOOL, SLOT	Gowanda PC-9668
STRAIGHT -THROUGH VOLTAGE PROBE " : : : : :	HP 10025A
DIGITAL VOLTMETER	HP 3440A/3443A
INTERCONNECTING ASSEMBLY : : : : :	HP 11592-60016
EXTENDER ASSEMBLY	HP 11592-60015
CABLE ASSEMBLY	HP 11001A
ATTENUATOR	HP 355C
CABLE ASSEMBLY (3) " : : : : :	HP 10503A

1. With the analyzer power off, remove A4 Crystal Filter board.
2. Make the following control settings and then connect the test setup shown in Figure 5-6.

ANALYZER:

LOG LINEAR	10 dB LOG
LOG REF LEVEL ' : : : : :	20 dBm
INPUT ATTENUATION0 dB

ADJUSTMENTS

5-31. Log-Linear Amplifier Check and Adjustment (cont'd)

11. Set the HP 355C to 0 dB; set the HP 606B Signal Generator 3 MHz level to -110 dBm, and set LOG LINEAR to 10 dB LOG (LOG REF LEVEL at -20 dBm).
12. Turn the analyzer on and measure the dc voltage with the HP 3440A/3443A Digital Voltmeter and straight-through voltage probe (HP 10025A) connected to XA8-14. The dc level should measure more negative than -6 m Vdc.

_____ -6 m Vdc
13. Increase the signal generator level to +10 dBm. The signal level at XA8-14 should be -800 ±40 m Vdc.

-840 _____ -760 m V
14. Decrease the signal generator level in 10 dB steps (to -60 dBm). For each 10 dB reduction, the dc level at XA8-14 should change by 100 ±40 m Vdc.

Signal Generator Level at XA4-14	DC Level at XA8-14	Signal Generator Level at XA4-14	DC Level at XA8-14
0 dBm	-740 mVdc — -660	-40 dBm	-340 mVdc _ -260
-10 dBm	-640 mVdc — -560	-50 dBm	-240 mVdc _ -160
-20 dBm	-540 mVdc — -460	-60 dBm	-140 mVdc _ - 60
-30 dBm	-440 mVdc _ -360		

15. Turn the analyzer power off and re-install the A7 Deflection Amplifier assembly.
16. Turn the analyzer power on. Check vertical position, Step 3. Set the LOG-LINEAR switch to LINEAR. Set the signal generator output to -30 dBm.
17. Adjust the generator output level vernier for a full eight division display on the analyzer.
18. Carefully reduce the signal input to the analyzer at XA4-14 by the amounts shown in the table below using the HP 355C and HP 606B output attenuators. Deflection should be ±0.2 division for the levels indicated.

Input at XA14-14	CRT Display: Deflection in Divisions
Reference: -30 dBm (approx.)	8.0
Add: 6 dB attenuation	4.0 ±0.2
Add: 6 dB attenuation	2.0 ±0.2
Add: 8 dB attenuation	0.8 ±0.2
Add: 10 dB attenuation	0.25 ±0.2
Add: 40 dB attenuation	0 ±0.2

19. Reinstall A4 Crystal Filter Assembly.

ADJUSTMENTS

5-32. 300 k Hz Band pass Filter Adjustment

REFERENCE: Schematics 6, 7.

DESCRIPTION: The 300 kHz bandpass filter is adjusted for symmetry and center frequency. Then the 300 kHz bandwidth is checked.

EQUIPMENT:

CABLE ASSEMBLY	HP 10503A
INTERCONNECTING ASSEMBLY	HP 11592-60016
EXTENDER ASSEMBLY	HP 11592-60015
TUNING TOOL	HP 8710-0095

1. Install the analyzer plug-ins on the two extender cable assemblies, connect CAL OUTPUT to RF INPUT and make the following control settings:

ANALYZER:

INPUT ATTENUATION	20 dB
BANDWIDTH	3kHz
SCAN WIDTH	PER DIVISION
SCAN WIDTH PER DIVISION	5 kHz
FREQUENCY	30 MHz
FINE TUNECentered
SCAN TIME PER DIVISION10 MILLISECONDS
VIDEO FILTER	10 kHz
TUNING STABILIZER	On
SCAN MODE	INT
SCAN TRIGGER	LINE
LOG-LINEARLINEAR
LINEAR Sensitivity	1m V/DIV
BASE LINE CLIPPER	Max ccw

2. Place the A2 3 MHz Amplifier assembly on an extender and install it in the analyzer. Center the signal on the CRT display with the FINE TUNE control.
3. Set BANDWIDTH to 300 kHz and SCAN WIDTH PER DIVISION to .05 MHz.
4. Adjust A2A1L2, A2A1L4 and A2R1 for a smooth, symmetrical wave shape centered on the CRT display.
5. Set SCAN WIDTH PER DIVISION to 5 kHz and BANDWIDTH to 3 kHz. The display should remain centered, Return these controls to .05 MHz and 300 kHz, respectively.
6. Install the circuit board without the extender. Readjust A2R1 IMP if necessary.
7. Check 300 kHz bandwidth, paragraph 4-24: 300 kHz \pm 60 kHz

240_____360 kHz
8. If necessary, repeat adjustment procedure.
9. Switch BANDWIDTH to 10 kHz. The peak amplitude should remain the same \pm 0.4 division. If not, perform the LC Filter Adjustment, paragraph 5-33.

ADJUSTMENTS

5-33. LC Filter Adjustment

REFERENCE: Schematic.

DESCRIPTION: The LC Filter circuits (100, 30 and 10 kHz bandwidths) are peaked and centered. The 10 kHz gain control is set so that the 10 kHz bandwidth has the same gain as the 300 kHz bandwidth. Then the gain and bandwidth of the filters are checked.

EQUIPMENT:

CABLE ASSEMBLY	HP 10503A
TUNING TOOL	HP 8710-0095
.	HP 11592-60016
EXTENDER ASSEMBLY	HP 11592-60015

1. Install the analyzer plug-ins on the two extender cable assemblies; connect CAL OUTPUT to RF INPUT, and make the following control settings:

ANALYZER:

FREQUENCY	30 MHz
BANDWIDTH	3 kHz
SCAN WIDTH	PER DIVISION
SCAN WIDTH PER DIVISION	5kHz
INPUT ATTENUATION	20dB
TUNING STABILIZER	On
SCAN TIME PER DIVISION	10 MILLISECONDS
LOG-LINEAR	LINEAR
LINEAR SENSITIVITY	2 m V/DIV
VIDEO FILTER10kHz
SCAN MODEINT
SCAN TRIGGERAUTO

2. Center the signal as carefully as possible on the CRT display with the FINE TUNE control.
3. Set BANDWIDTH to 10 kHz and SCAN WIDTH to ZERO. Peak A1C4, A1C10, A1C16 and A1C22 for maximum trace deflection on the display.
4.
 - a. If one of the PEAK capacitors is at the end of its range (or if an inductor has been replaced) remove the circuit board from the analyzer.
 - b. Free the related inductor core with acetone and center the capacitor.
 - c. Install the circuit board on the extender. Perform steps 1 through 3 except tune the inductor, rather than the capacitors.
 - d. Re-glue the inductor, using Duco cement, and re-install the circuit board without the extender.
 - e. Again perform steps 1 through 3.
5. Set SCAN WIDTH to PER DIVISION and BANDWIDTH to 300 kHz. Use LINEAR SENSITIVITY to set signal for a 7.0 division display.
6. Set BANDWIDTH to 10 kHz and adjust A1R35 10 kHz ADJ for a 7.0 division display.
7. Install the shield cover and check the change in signal amplitude on the display as BANDWIDTH is switched from 300 kHz to 10 kHz. Deflection at these bandwidths should be within ± 0.4 division of 300 kHz.

ADJUSTMENTS

5-33. LC Filter Adjustment (cont'd)

- 300 kHz: Reference
- 100 kHz: -0.4 _____ +0.4 div
- 30 kHz: -0.4 _____ +0.4 div
- 10 kHz: -0.4 _____ +0.4 div

8. Set BANDWIDTH to 3 kHz. Again the signal amplitude should not change more than ±0.4 divisions; if it does, perform the crystal filter adjustment, paragraph 5-34.

- 300 kHz: Reference
- 3 kHz: -0.4 _____ +0.4 div

9. Check 100, 30 and 10 kHz bandwidths, paragraph 4-24.

- 100 kHz Bandwidth: 80 _____ 120 kHz
- 30 kHz Bandwidth: 24 _____ 36 kHz
- 10 kHz Bandwidth: 9.5 _____ 10.5 kHz

10. If necessary, repeat adjustment procedure.

5-34. Crystal Filter Fine Adjustment

REFERENCE: Schematics 10 and 11.

DESCRIPTION: This procedure fine adjusts the crystal filters for bandwidth and amplitude. If component changes are made, Coarse Adjustment (paragraph 5-35) may be necessary. The center frequency of the last four stages is referenced to the first stage, then all five stages are nulled. Next, the bandwidth amplitudes are set. Finally, the filters are checked for bandwidth and amplitude.

EQUIPMENT:

- SIGNAL GENERATOR HP 606B
- OSCILLATOR SYNCHRONIZER HP 8708A
- FREQUENCY COUNTER HP 5245L
- CABLE ASSEMBLY (6) HP 10503A
- INTERCONNECTING ASSEMBLY HP 11592-60016
- EXTENDER ASSEMBLY HP 1592-60015
- OSCILLOSCOPE HP 180A/1801A/1821A
- CABLE ASSEMBLY HP 10501A

1. Remove A2 3 MHz Amplifier Assembly, connect the test setup in Figure 5-7 and make the following control settings:

ANALYZER:

- FREQUENCY 30 MHz
- TUNING STABILIZER On
- BANDWIDTH 0.1 kHz
- SCAN WIDTH PER DIVISION
- SCANWIDTHPERDIVISION 1 MHz
- INPUT ATTENUATION 20 dB
- BASE LINE CLIPPER Max ccw
- SCAN TIME PER DIVISION MILLISECONDS

ADJUSTMENTS

5-34. Crystal Filter Fine Adjustment (cont'd)

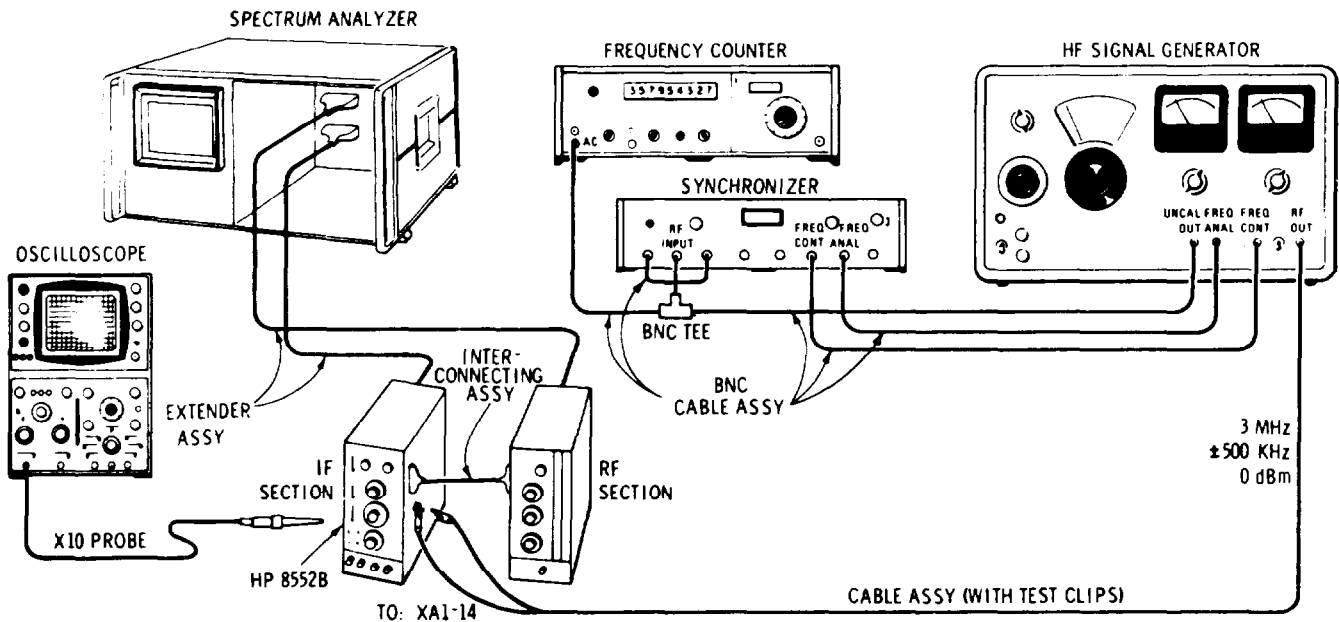


Figure 5-7. Crystal Filter Fine Adjustment Test Setup

ANALYZER control settings (cont'd)

LINEAR SENSITIVITY	20 μ V/DIV
VIDEO FILTER	10 Hz
LOG-LINEAR	LINEAR
SCAN MODE	INT
SCAN TRIGGER	AUTO

606B:

RANGE	4
FREQUENCY	3 MHz
MODULATION SELECTOR	CW
ATTENUATOR (dBm)	-30
VERNIER	Set for 0 on dB meter

8708A:

FREQUENCY RANGE	4
RF INPUT	Under lit lamp
MODULATION	CW
FREQUENCY TUNING	Centered
AC-DC	AC

5245L:

SAMPLE RATE	9 o'clock
TIME BASE	1s

ADJUSTMENTS

5-34. Crystal Filter Fine Adjustment (cont'd)

5245L settings (cont'd)

FUNCTION FREQUENCY
 SENSITIVITY 0.1 (volts rms)

180A:

VOLTS/DIV01
 TIME/DIV 1 MSEC

2. Tune the synchronizer for 3 MHz \pm 10 Hz, connect oscilloscope probe to A4TP6, then tune the synchronizer for a peak on the oscilloscope.
3. Remove the probe from TP6 and reduce LINEAR SENSITIVITY until trace appears on analyzer's CRT display. Adjust A4C30, 43, 57 and 70 for maximum trace deflection.
4. Repeat steps 2 and 3. Then remove the clip leads at XA1-14 and install A2 3 MHz Amplifier Assembly.
5. Connect CAL OUTPUT to RF INPUT and make the following control settings:

ANALYZER:

BANDWIDTH 3 kHz
 SCAN TIME PER DIVISION10 MILLISECONDS
 LINEAR SENSITIVITY1 mV/DIV
 VIDEO FILTER 10 kHz

6. Center signal on display with FREQUENCY control and reduce SCAN WIDTH PER DIVISION to 1 kHz.
7. Adjust A4C19, 34, 47, 61 and 74 to null the signal. Set the signal to the 7 graticule line with LINEAR SENSITIVITY vernier.
8. Set BANDWIDTH to 1 kHz; signal level should not change more than \pm 0.3 division.
9. If signal is out of limits, repeat steps 6 and 7.
10. Set SCAN WIDTH to ZERO and make the BANDWIDTH changes and adjustments indicated below. Re-peak the signal with FINE TUNE every time BANDWIDTH is changed.

BANDWIDTH	Adjust for 7.0 Divisions
0.3 kHz	A4R129 300 Hz
0.1 kHz	A4R126 100 Hz
.03 kHz	A4R122 30 Hz
.01 kHz	A4R115 10 Hz

ADJUSTMENTS

5-34. Crystal Filter Fine Adjustment (cont'd)

11. Repeat steps 8 through 10 until the bandwidth amplitude variations from 3 kHz through 0.1 kHz are as shown below:

3 kHz:	Set for 7 div
1 kHz:	6.7 _____ 7.3 div
0.3 kHz:	6.7 _____ 7.3 div
0.1 kHz:	6.7 _____ 7.3 div
0.03 kHz:	6.5 _____ 7.5 div
0.01 kHz:	6.0 _____ 7.0 div

12. Place the A4 Crystal Filter Assembly on an extender. Set BANDWIDTH to 3 kHz, peak the trace with FINE TUNE and set the trace to the 7 graticule with LINEAR SENSITIVITY vernier.

13. Set BANDWIDTH to 300 kHz and adjust A4R133 to set the trace to the 7 graticule line,

14. Install the A4 Crystal Filter Assembly without the extender. Repeat steps 12 through 14 until the bandwidth amplitude variation between 3 kHz to 300 kHz less than ±0.3 divisions.

6.7 _____ 7.3 div

15. Perform the bandwidth checks for the 3 kHz through .01 kHz bandwidths, paragraphs 4-24, 4-25:

B A N D W I D T H	3 dB Bandwidth	60 dB/3 dB Bandwidth Ratio
3 kHz	4.8 _____ 7.2 div	_____ 11:1 div
1 kHz	4.0 _____ 6.0 div	_____ 11:1 div
0.3 kHz	4.8 _____ 7.2 div	_____ 11:1 div
0.1 kHz	4.0 _____ 6.0 div	_____ 11:1 div
.03 kHz	1.2 _____ 1.8 div	_____ 11:1 div
.01 kHz	0.4 _____ 0.6 div	_____ 11:1 div

16. If necessary, repeat adjustment procedure.

ADJUSTMENTS

5-35. Crystal Filter Coarse Adjustment

REFERENCE: Schematics 10 and 11.

DESCRIPTION: This procedure adjusts A4C18, 32, 45, 59 and 73; it coarse adjusts A4C19, 34, 47, 61 and 74. It should be performed only if component changes that would affect the crystal alignment are made, The crystal filter circuits are adjusted, in turn, by bypassing all but the stage being adjusted; they are adjusted for center frequency, symmetry and null.

NOTE

This procedure can be difficult and time consuming and should not be attempted unless the Fine Adjustment procedure will not align the filters.

EQUIPMENT:

CRYSTAL FILTER BYPASS NETWORK (4)	(See Step 9)
CABLE ASSEMBLY	HP 10503A
INTERCONNECTING ASSEMBLY	HP 11592-60016
EXTENDER ASSEMBLY	HP 11592-60015

1. Install the analyzer plug-ins on the two extender cable assemblies, connect CAL OUTPUT to RF INPUT, and make the following control settings:

ANALYZER:

FREQUENCY	.30 MHz
BANDWIDTH	.3 kHz
SCAN WIDTH	PER DIVISION
SCAN WIDTH PER DIVISION	.05 MHz
INPUT ATTENUATION	10dB
TUNING STABILIZER	On
SCAN TIME PER DIVISION	5 MILISECONDS
LOG-LINEAR	10 dB LOG
LOG REF LEVEL	-20 dBm
VIDEO FILTER	10 kHz
SCAN MODE	INT
SCAN TRIGGER	AUTO

2. Place the A4 Crystal Filter Assembly on an extender board and install it in the analyzer. Place the four Crystal Filter Bypass Networks across: TP2 to TP7, TP3 to TP8, TP4 to TP9 and TP5 to TP10.
3. Center the signal on the CRT display with the FREQUENCY control. Use the LOG REF LEVEL controls to set signal peak at LOG REF graticule.
4. Tune A4C19 and A4C18 respectively for signal null and symmetrical skirts (60 dB down).

NOTE

Oscillations sometimes occur when the Crystal Filter board is on the Extender board and the Crystal Filter Bypass Networks are being used, Place your fingers across the last Crystal Filter Bandpass Network. This will dampen the oscillations while the adjustment are being made.

5. Perform Step 4 for each of the Filter stages in turn, as indicated:

ADJUSTMENTS

5-35. Crystal Filter Coarse Adjustment (cont'd)

Place Bypass Networks Across Test Points	Tune for null and symmetrical skirts (60 dB down)
1 and 6, 3 and 8 4 and 9, 5 and 10	A4C34 and A4C32
1 and 6, 2 and 7 4 and 9, 5 and 10	A4C47 and A4C45
1 and 6, 2 and 7 3 and 8, 5 and 10	A4C61 and A4C59
1 and 6, 2 and 7 3 and 8, 4 and 9	A4C74 and A4C73

6. Repeat steps 4 and 5.
7. Remove the Bypass Networks and install A4 assembly without an extender.
8. Perform Crystal Filter Fine Adjustment, paragraph 5-34.
9. Assemble four Crystal Filter bypass networks from parts listed below:
 - a. 4 capacitors – .047 microfarad 10% HP 0170-0040
 - b. 4 resistors – 3.3 ohm 5% HP 0683-0335
 - c. 8 receptacles – for .040 inch pin HP 1200-0063

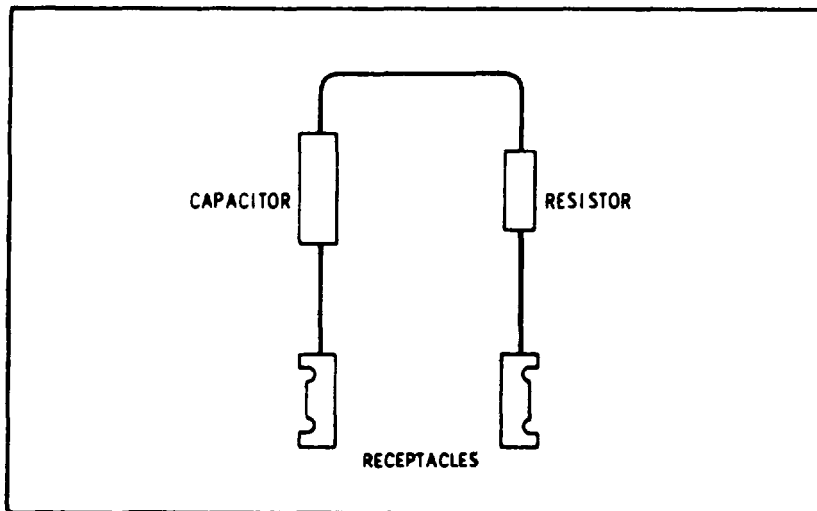


Figure 5-8. Crystal Filter Bypass Network

ADJUSTMENTS

5-36. 3 MHz IF Gain Adjustment

REFERENCE: Schematics 6,7,8.

DESCRIPTION: The amplifier gain controls are adjusted for various positions of the LOG REF LEVEL attenuator and then the remaining positions of the LINEAR SENSITIVITY dial are checked. The VERTICAL OUTPUT circuit adjustment is set for output voltage with full-scale display deflection.

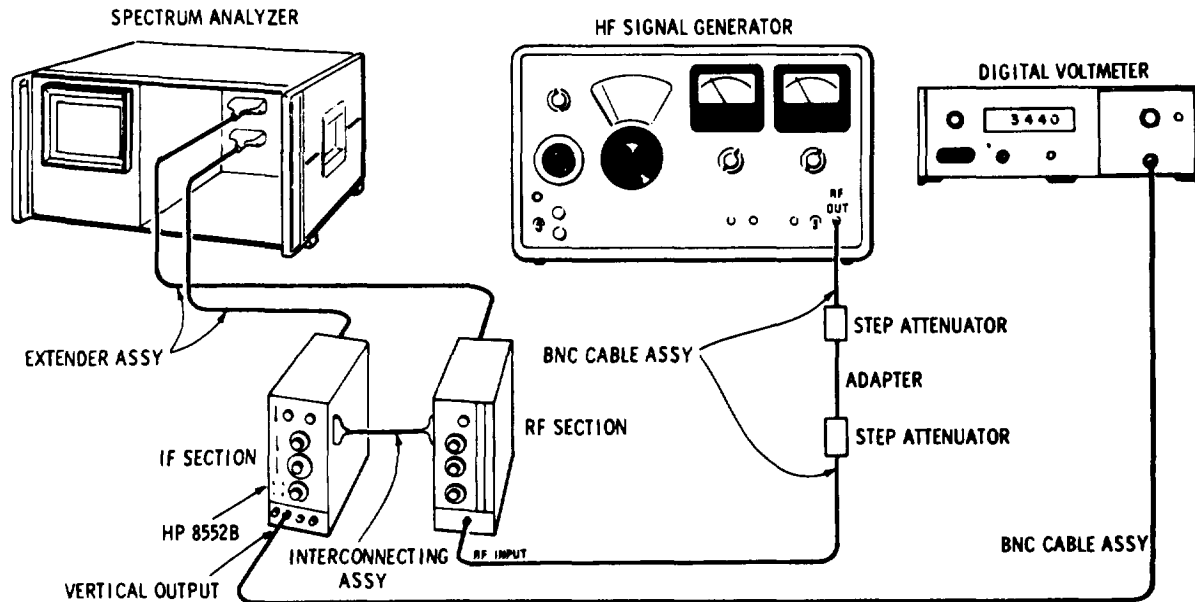


Figure 5-9. 3 MHz IF Gain Adjustment Test Setup

EQUIPMENT:

SIGNAL GENERATOR	HP 606B
DIGITAL VOLTMETER	HP 3440A/3443A
ATTENUATOR	HP 355C
ADAPTER	HP 1258-0216
INTERCONNECTING ASSEMBLY	HP 11592-60016
EXTENDER ASSEMBLY	HP 11592-60015
ATTENUATOR	HP 355D
CABLE ASSEMBLY(3)	HP 10503A

1. Remove the cover shield from the Al LC Filter Assembly, connect the test setup shown in Figure 5-9 and make the following control settings:

ANALYZER:

FREQUENCY	30 MHz
TUNING STABILIZER	On
BANDWIDTH	100 kHz
SCAN WIDTH	ZERO
INPUT ATTENUATION	0 dB
SCAN TIME PER DIVISION	2 MILLISECONDS
LINEAR SENSITIVITY	1 mV/DIV
LOG-LINEAR	LINEAR
BASE LINE CLIPPER	Max ccw

ADJUSTMENTS

5-36. 3 MHz IF Gain Adjustment(cont'd)

ANALYZER control settings (cont'd)

SCAN MODE	INT
SCAN TRIGGER	AUTO
VIDEO FILTER	OFF

606B :

FREQUENCY	30 MHz
ATTENUATOR (dBm)	-20
RANGE	5
MODULATION SELECTOR	CW
VERNIER	Set for 0 dB on meter

3440A/3443A:

SAMPLE RATE	9 o'clock
RANGE	AUTO

355C and 355D:

ATTENUATION	0 dB
-------------	------

2. Adjust FREQUENCY control for maximum trace deflection.
3. Adjust signal generator output so that VERTICAL OUTPUT voltage is -1.000 ± 0.005 Vdc.
4. Increase test attenuators by 12 dB.
5. Turn LOG REF LEVEL vernier to -12 dB.
6. Adjust A2R44 12 dB ADJ for -1.000 ± 0.005 Vdc.
7. Decrease test attenuators by 12 dB.
8. Turn LOG REF LEVEL vernier to 0 dB.
9. Adjust A2R51 0 dB ADJ for -1.000 ± 0.005 Vdc.
10. Repeat adjustments in steps 4 through 9 to minimize interaction between controls.
11. Set test attenuator to 6 dB.
12. Turn LOG REF LEVEL vernier to -6. Note error from 1.000 Vdc and adjust HP 606B output for -1.000 Vdc minus error.
13. Set test attenuator to 12 dB and repeat steps 5 through 10.

ADJUSTMENTS

5-36, 3 MHz IF Gain Adjustment (cont'd)

14. Measure the LOG REF LEVEL vernier accuracy at each dB mark by the substitution method employed in steps 4 through 9. The VERTICAL OUTPUT voltage at each step should be -1.000 ± 0.04 Vdc.

-1 dB	-0.96 _____	1.04 Vdc	-7 dB	-0.96 _____	-1.04 Vdc
-2 dB	-0.96 _____	-1.04 Vdc	-8 dB	-0.96 _____	-1.04 Vdc
-3 dB	-0.96 _____	-1.04 Vdc	-9 dB	-0.96 _____	-1.04 Vdc
-4 dB	-0.96 _____	-1.04 Vdc	-10 dB	-0.96 _____	-1.04 Vdc
-5 dB	-0.96 _____	-1.04 Vdc	-11 dB	-0.96 _____	-1.04 Vdc
-6 dB	-0.96 _____	-1.04 Vdc	-12 dB	-0.96 _____	-1.04 Vdc

15. Change the control settings as follows:

ANALYZER:

INPUT ATTENUATION 10 dB
 LOG REF LEVEL 0 dBm
 LOG-LINEAR 10 dB LOG

606B :

ATTENUATOR (dBm) 0

355D and 355C:

ATTENUATION 10 dB

16. Tune FREQUENCY control for maximum trace deflection.

17. Note reference voltage at VERTICAL OUTPUT.

Reference Voltage <-600 mV (more negative) : _____

18. Adjust 3 MHz IF Gain positions as follows:

Test Attenuator	LOG REF LEVEL	Adjust	Error Limit: ± 2 mVdc (from Reference Voltage)
10 dB	-10 dBm	A1R59	-2 _____ +2
20 dB	-20 dBm	A1R58	-2 _____ +2
30 dB	-30 dBm	A2R21	-2 _____ +2
40 dB	-40 dBm	A2R24	-2 _____ +2
50 dB	-50 dBm	A2R27	-2 _____ +2

ADJUSTMENTS

5-36. 3 MHz IF Gain Adjustment (cont'd)

19. Check the remaining attenuator steps as follows:

- a. Connect a shorting strap between the green and blue wires on the LOG REF LEVEL switch A10S1-2R.
- b. Set LOG-LINEAR control to LINEAR and test attenuators to 43 dB.
- c. Set LINEAR SENSITIVITY to 0.1 m V/DIV with INPUT ATTENUATION at 10 dB.
- d. Measure the voltage at the VERTICAL OUTPUT jack.

Reference Voltage: _____

e. Check the remaining LINEAR SENSITIVITY positions according to the table below:

Test Attenuator	LINEAR SENSITIVITY	Error Limit: ±15 mVdc
43 dB	0.1 mV/DIV	-15 _____ +15
33 dB	0.2 mV/DIV	-15 _____ +15
23 dB	1.0 mV/DIV	-15 _____ +15
13 dB	2.0 mV/DIV	-15 _____ +15
3 dB	10.0 mV/DIV	-15 _____ +15

f. Remove the shorting strap installed in step a on page 5-24.

5-37. 47 MHz LO Automatic Phase Lock Check and Adjustment

REFERENCE: Schematics 3, 4, 5.

DESCRIPTION: The oscillator levels are set and checked and the phase lock loop is checked. The summing and shaping circuits are then adjusted by applying dc offsets and adjusting for a linear 47 MHz Lo sweep.

ADJUSTMENTS

5-37.47 MHz LO Automatic Phase Lock Check and Adjustment (cont'd)

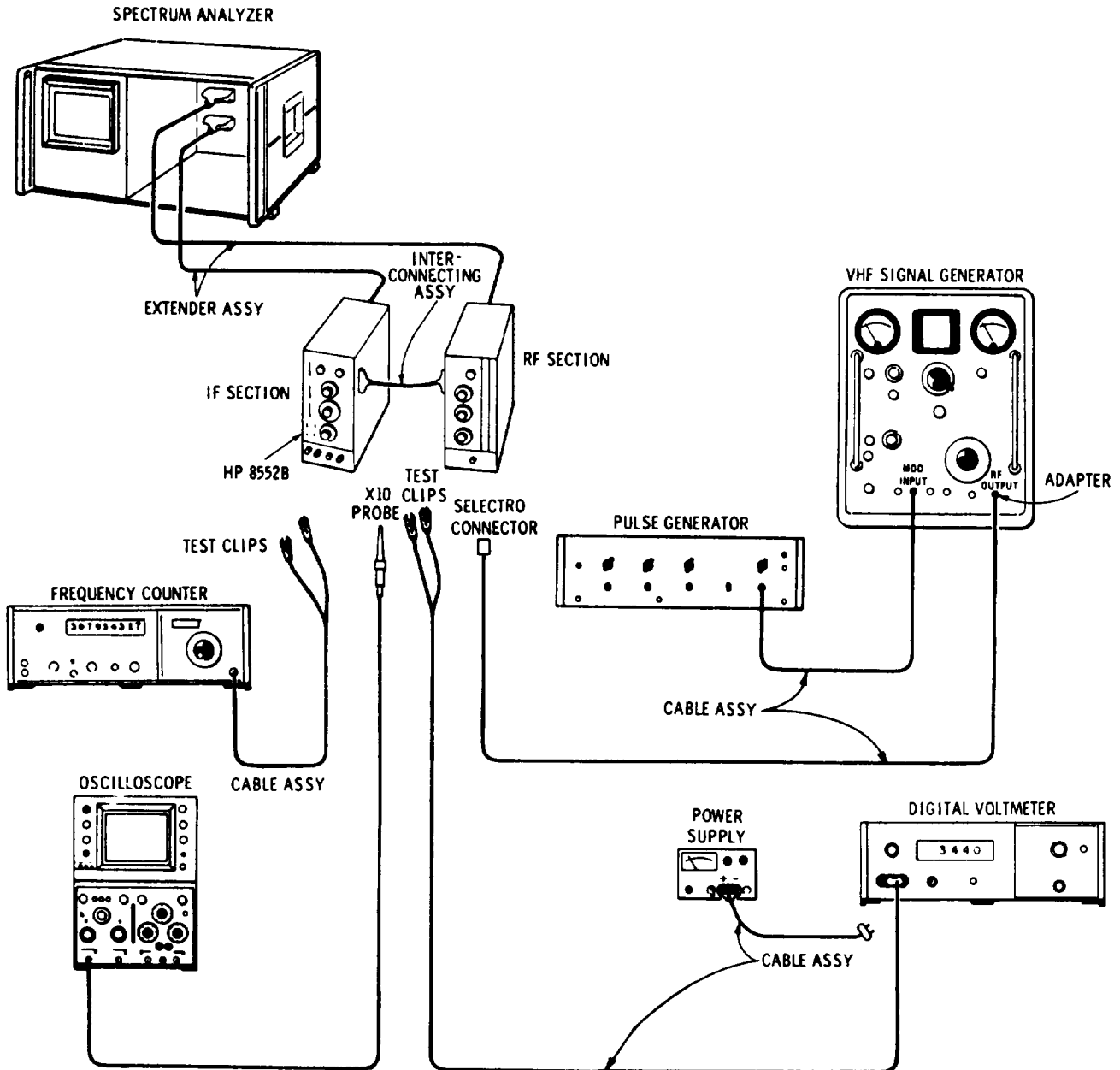


Figure 5-10. 47 MHz LO Automatic Phase Lock Test Setup

EQUIPMENT:

FREQUENCY COUNTER	HP 5245L/5261A
OSCILLOSCOPE	HP 180A/1801A/1820A
SIGNAL GENERATOR	HP 608F
PULSE GENERATOR	HP 222A
POWER SUPPLY	HP 6217A
6-PIN EXTENDER BOARD	HP 5060-5914

ADJUSTMENTS

5-37. 47 MHz LO Automatic Phase Lock Check and Adjustment (cont'd)

EQUIPMENT (cont'd)

EXTENDER ASSEMBLY	HP 11592-60015
INTERCONNECTING ASSEMBLY	HP 11592-60016
CABLE ASSEMBLY	HP 11592-60001
CABLE ASSEMBLY	HP 10503A
CABLE ASSEMBLY (w/test clips)	HP 10501A
DIGITAL VOLTMETER	HP 3440A/3443A
ADAPTER	UG-201A/U
CABLE ASSEMBLY	HP 11000A
CABLE ASSEMBLY (w/test clips)	HP 11002A
ALIGNMENT TOOL	HP 8710-0957

1. Connect the test setup in Figure 5-10. Remove the A1/A12 Assemblies cover shield and the A13 2 MHz VTO Assembly, and make the following control settings:

ANALYZER:

FINE TUNE	
SCAN TIME PER DIVISION	50 MILLISECONDS
BANDWIDTH	1 kHz
TUNING STABILIZER	OFF
SCAN WIDTH	PER DIVISION
SCAN WIDTH PER DIVISION	20 kHz
VIDEO FILTER	OFF
SCAN MODE	INT
SCAN TRIGGER	AUTO
LOG-LINEAR	10 dB LOG
LOG REF LEVEL	-40 dBm

180A/1801/1820:

VOLTS/DIV02
TIME/DIV05 MSEC
Probe	X10

5245L/5261A:

SENSITIVITY	PLUG IN
SAMPLE RATE	ccw
TIME BASE	1 s
FUNCTION	FREQUENCY
SENSITIVITY (PLUG-IN)	30 mV RMS

608F:

MODULATION	EXT PULSE
ATTENUATION	-20 dBm
MEGACYCLES	50

222A:

REF RATE	10K - 100K
PULSE WIDTH	0.5 - 5 (vernier ccw)
PULSE AMPLITUDE	2V
PULSE POLARITY	+

2. Attach oscilloscope probe to A12TP2. Adjust A12T1 for maximum; signal level should be 650 ±200 mV p-p.

450 _____ 850 mV p-p

ADJUSTMENTS

5-37. 47 MHz LO Automatic Phase Lock Check and Adjustment (cont'd)

3. Remove oscilloscope probe and attach frequency counter to A12TP2. 45 MHz Crystal Oscillator frequency should be 45 MHz \pm 10 kHz.

44.990 _____ 45.010 MHz

4. Attach oscilloscope probe to feedthrough capacitor C8 (see Figure 8-8) and set oscilloscope VOLTS/DIV to 0.2 and TIME/DIV to 5 msec. Search waveform should be as shown in Figure 5-11 with amplitude from 8.5 to 11.5 V pp.

8.5 _____ 11.5 v p-p

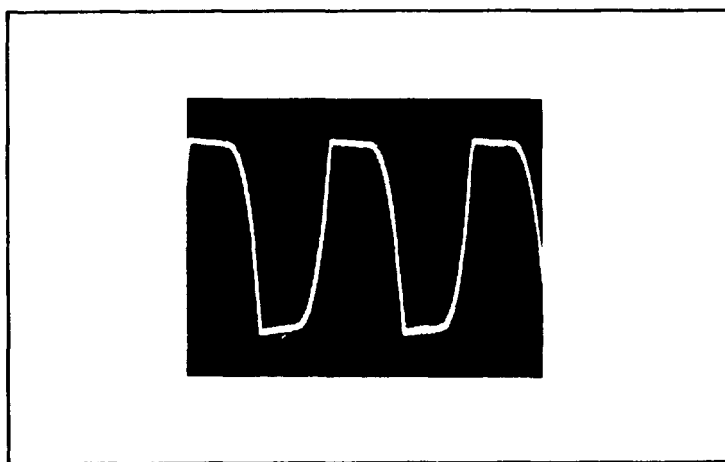


Figure 5-11. Search Waveform

5. Remove oscilloscope probe from C8 and attach to J8 (see Figure 8-8); set oscilloscope VOLTS/DIV to .05 and TIME/DIV to 5 msec. The 47 MHz LO level should be 2.0V \pm 0.5.

1.5V _____ 2.5 V p-p

6. Remove oscilloscope probe from J8 and re-attach to feedthrough C8. Insert A13 2 MHz VTO Assembly into 8552B on 6-pin extender board. 47 MHz LO phase lock will be indicated by the 50 Hz square wave becoming steady dc.

NOTE

If square wave does not become steady dc, adjust 47 MHz LO (A3A2L1) as specified in step 16. Then repeat steps 4 through 6.

7. Remove oscilloscope probe from C8 and attach to A13TP1, Set oscilloscope VOLTS/DIV to .02 and TIME/DIV to 5 msec. Adjust A13R5 VTO LEVEL ADJ for 900 \pm 250 mV p-p.

660 _____ 1150 mV p-p

8. Disconnect oscilloscope probe and attach frequency counter to A13TP1. Switch analyzer SCAN WIDTH to ZERO. With alignment tool, adjust A13T1 for 2 MHz \pm 2 kHz. (FINE TUNE must be centered and TUNING STABILIZER must be off.)

1998 _____ 2002 kHz

ADJUSTMENTS

5-37. 47 MHz LO Automatic Phase Lock Check and Adjustment(cont'd)

9. Remove A13 2 MHz VTO and re-install in 8552B without extender.

NOTE

The following steps of this paragraph should be omitted if the RF Section being used is an 8554 or 8555.

Turn analyzer POWER off. Unsolder yellow wire at 8552B XA5 pin 3 and connect power supply positive lead to XA5 pin 3 (connect negative lead to chassis ground.) Adjust power supply for +7.50 V with digital voltmeter.

10. Connect pulse generator to frequency counter. Adjust REP RATE VERNIER for 20.000 kHz, then connect pulse generator to signal generator. Disconnect W7-50 MHz, white coax at J6 (see Figure 8-8). Connect the signal generator output to J6. Set analyzer SCAN WIDTH to PER DIVISION (SCAN WIDTH PER DIVISION should be 20 kHz).
11. Turn analyzer POWER on and observe signal on Display Section CRT.
12. Adjust A5R45 SHAPING ADJ for optimum linearity, aligning the pulses of the modulated signal on the vertical graticule lines. Adjust frequency of signal generator to keep pulses aligned on graticule lines as adjustment is made. Pulses should not deviate more than ± 0.75 minor divisions from graticule lines across entire display.

Max. deviation: 0.75 _____ 0.75 minor div

13. Change power supply to put -7.50V at XA5 pin 3. Adjust A5R71 OFFSET ADJ for optimum linearity, aligning pulses on vertical graticule lines and adjusting signal generator frequency as necessary to keep pulses on graticule lines. Pulses should not deviate more than ± 0.75 minor divisions from graticule lines across entire display.

Max. deviation 0.75 _____ 0.75 minor div

14. Set the power supply to 0V and check to see that the pulses do not deviate more than ± 0.75 minor divisions from vertical graticule lines across entire display.

Max. deviation 0.75 _____ 0.75 minor div

15. Repeat steps 8 through 14 until no further adjustments are necessary to meet the specifications in each step. (Yellow wire at XA5 pin 3 can remain unsoldered until adjustments are completed.)

16. Set analyzer SCAN WIDTH to ZERO and attach DVM to feedthrough C8. Phase lock error signal should be $+4 \pm 0.4V$, If not, adjust A3A2L1 (accessible through hole in A3A2 cover).

+3.6 _____ +4.4V

17. Turn the analyzer POWER off, reconnect W6 to J6 and resolder yellow wire to XA6 pin 3. Remove test W equipment connections from analyzer and reinstall the cover shields to the A13 and A1/A12 Assemblies,

5-38. 50 MHz IF Bandpass Check and Adjustment

REFERENCE: Schematic 3.

DESCRIPTION: The 50 MHz IF bandpass is checked by manually sweeping the 47 MHz Local Oscillator over a 200 kHz range and viewing the analyzer display for flatness. For adjustment, the 50 MHz IF is swept using a flat external source. The output is detected, filtered and displayed on an oscilloscope. The band pass filter is adjusted for frequency, amplitude, width and flatness.

ADJUSTMENTS

5-38. 50 MHz IF Bandpass Check and Adjustment (cont'd)

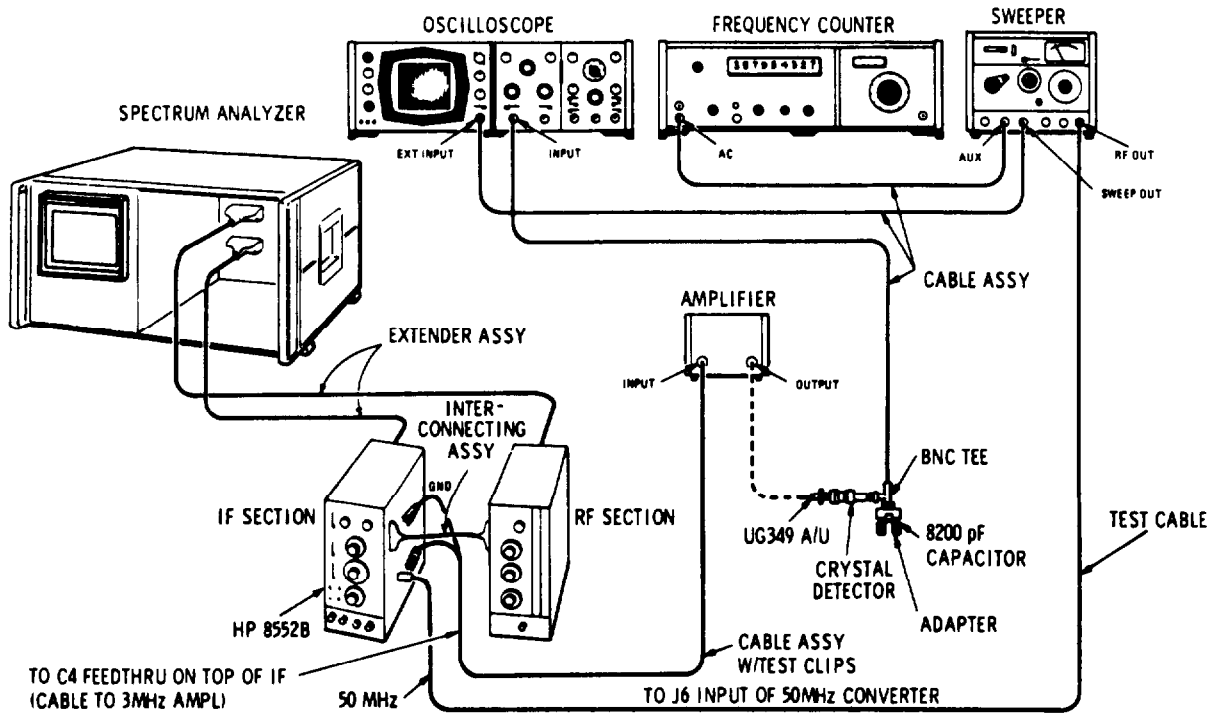


Figure 5-12. 50 MHz IF Bandpass Adjustment Test Setup

EQUIPMENT:

GENERATOR/SWEEPER	HP 8601A
OSCILLOSCOPE with 1801A/1821A PLUG-INS	HP 180A
FREQUENCY COUNTER	HP 5245L
AMPLIFIER	HP 8447A
CRYSTAL DETECTOR	HP 423A
CABLE ASSEMBLY	HP 10501A
CABLE ASSEMBLY (3)	HP 10503A
TEST CABLE	HP 11592-60001
EXTENDER ASSEMBLY	HP 11592-60015
INTERCONNECTING ASSEMBLY	HP 11592-60016
ADAPTER	HP 10110A
ADAPTER	UG-201A/U
BNC Tee.	UG-274B/U
ADAPTER	UG-349A/U
CAPACITOR	8200 PF (approx.)

1. Connect the test setup as shown in Figure 5-12. Make the following control settings:

ANALYZER :

3 MHz Amplifier Assembly A2 removed.

8601A:

FREQUENCY	50 MHz
RANGE	110
SWEEP	SYM
OUTPUT LEVEL	-10 dBm
SWEEP MODE	LINE-FAST
1 kHz MODE	OFF

ADJUSTMENTS

5-38. 50 MHz IF Bandpass Check and Adjustment (cont'd)

180A/1801A:

MAGNIFIER	X5
POSITION	(see Figure 5-13)
VOLTS/DIV (Channel A)05
POLARITY	UP
INPUT	DC
DISPLAY	A

5245L:

SAMPLE RATE	9 o'clock
SENSITIVITY (volts rms)01
TIME BASE	10 ms
FUNCTION	FREQUENCY

2. Adjust Generator/Sweeper and oscilloscope to display a 10 MHz swept signal centered on 50 MHz. (See Figure 5-13.)
3. If the bandpass is not flat (± 2 mV) at least 0.3 MHz on either side of 50 MHz, adjust A3A1C5, 6, 9 and 10 for maximum amplitude and flatness.
4. Select 3 MHz sweep width on the HP 8601A and observe oscilloscope display for a bandpass as shown in Figure 5-13. Repeat Step 3 as required to obtain desired bandpass.
5. Remove power from display section and install 3 MHz Amplifier Assembly A2.
6. Remove cable assembly from Generator/Sweeper.
7. Perform 44 MHz Rejection Check, paragraph 5-39. If capacitors A3C11, 14 or 19 are adjusted, repeat steps 1 through 4 above.

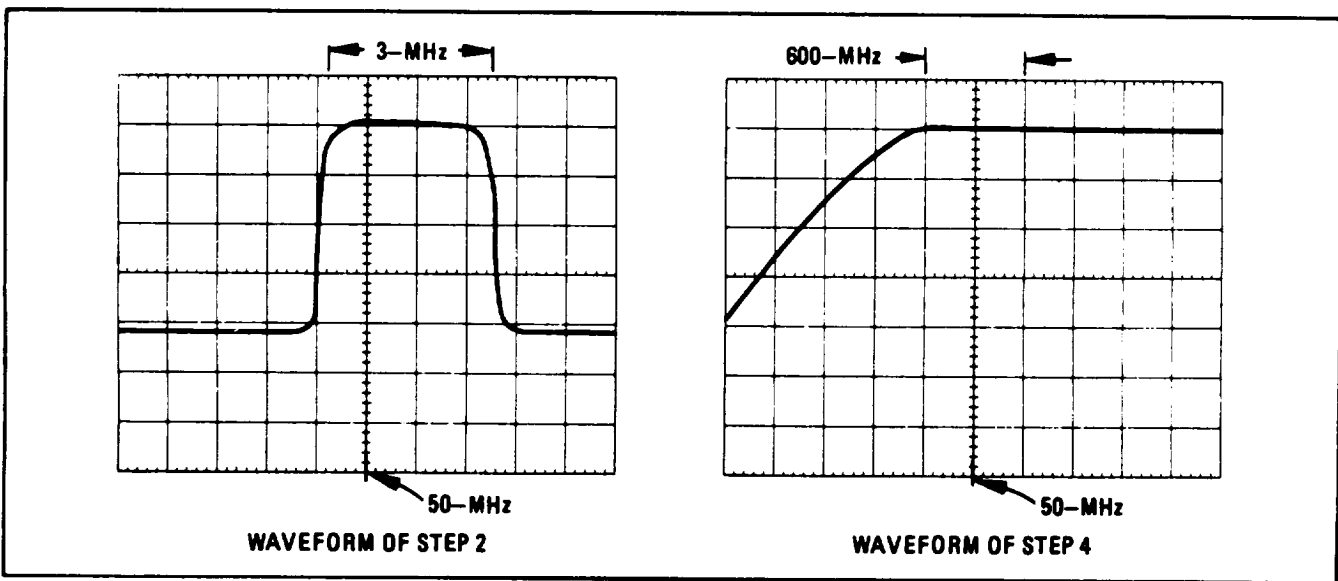


Figure 5-13. 50 MHz Bandpass Display for 10 MHz and 3 MHz Sweeps

ADJUSTMENTS

5-38. 50 MHz IF Bandpass Check and Adjustment (cont'd)

8. Connect a test cable from CAL OUTPUT to RF INPUT and make the following control settings:

ANALYZER:

- FREQUENCY 30 MHz
- FINE TUNE Full cw
- INPUT ATTENUATIONdB
- TUNING STABILIZER OFF
- BANDWIDTH 10 kHz
- SCAN WIDTH PER DIVISION
- SCAN WIDTH PER DIVISION 100 kHz
- BASE LINE CLIPPER Max ccw
- SCAN TIME PER DIVISION 2 MILLISECONDS
- LINEAR SENSITIVITY Set for full scale display
- VIDEO FILTER OFF
- SCAN MODE INT
- SCAN TRIGGER LINE
- LOG-LINEAR LINEAR

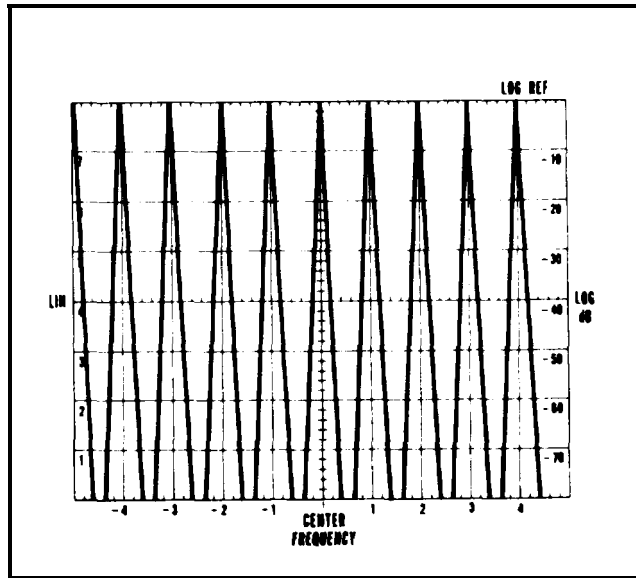


Figure 5-14. 50 MHz Bandpass Flatness Display

- 9. Tune FREQUENCY for display indicated in Figure 5-14 when FINE TUNE is rotated in 100 kHz steps.
- 10. Reduce LINEAR SENSITIVITY Vernier to a seven division vertical deflection. Rotate FINE TUNE through its range while observing display for flatness. Display should be flat ± 0.2 division across the 1.0 MHz FINE TUNE range.

-0.2 _____ +0.2 div

5-39. 44 MHz Rejection Adjustment

REFERENCE: Schematic 3.

DESCRIPTION: A 50 MHz reference is established, then 44 MHz is fed into the 47 MHz converter and nulled 70 dB below the reference level. The 50 MHz IF Bandpass Check and Adjustment must be repeated after the 44 MHz rejected controls are adjusted.

ADJUSTMENTS

5-39. 44 MHz Rejection Adjustment (cont'd)

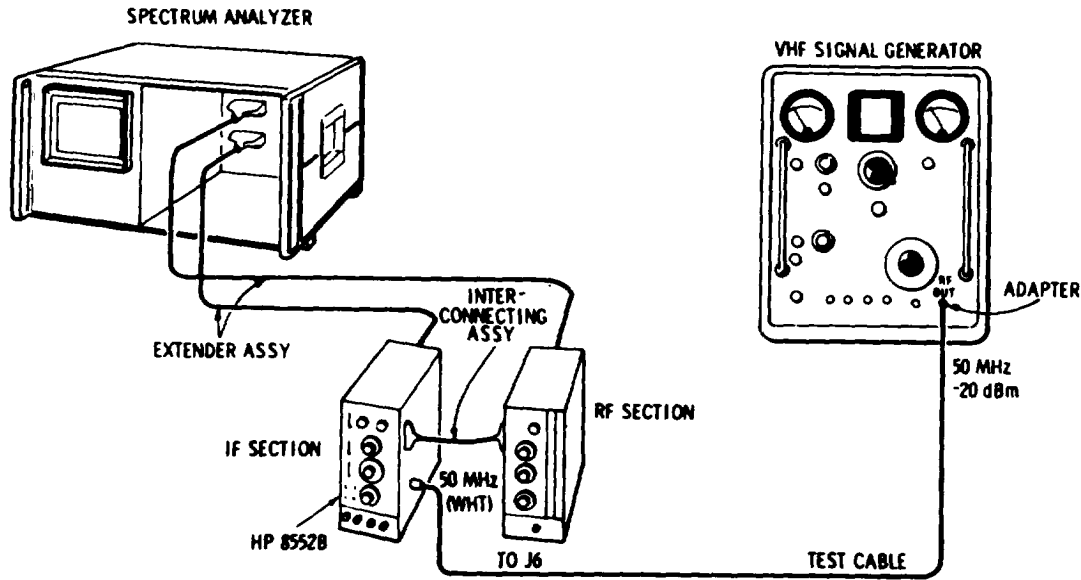


Figure 5-15. 44 MHz Rejection Adjustment Test Setup

EQUIPMENT:

SIGNAL GENERATOR	HP 608F
TEST CABLE	11592-60001
INTERCONNECTING ASSEMBLY	HP 11592-60016
EXTENDER ASSEMBLY	HP 11592-60015
ADAPTER	UG-201A/U

1. Connect the test setup shown in Figure 5-15 and make the following control settings:

ANALYZER:

INPUT ATTENUATION	0 dB
FINE TUNE	Centered
TUNING STABILIZER	OFF
BANDWIDTH	10 kHz
SCAN WIDTH	PER DIVISION
SCAN WIDTH PER DIVISION	20 kHz
BASE LINE CLIPPER	Max CCW
SCAN TIME PER DIVISION	2 MILLISECONDS
LOG REF LEVEL controls	See text
VIDEO FILTER	OFF
SCAN MODE	INT
SCAN TRIGGER	LINE
LOG-LINEAR	10 dB LOG

608F:

MODULATION	CW
ATTENUATION	-20 dBm

ADJUSTMENTS

5-39. 44 MHz Rejection Adjustment (cont'd)

608F control settings (cont'd)

MEGACYCLES	50
AMPL TRIMMER	Press & peak meter reading
FREQUENCY RANGE	C

2. Adjust LOG REF LEVEL controls for a full-scale signal display. Use the signal generator frequency control to center the display.
3. Establish a reference by observing the position of the LOG REF LEVEL control with reference to the lit indicator light.
4. Tune the signal generator to 44 MHz and peak the AMPL TRIMMER. Use the LOG REF LEVEL control to once more get an on-screen display, but without disturbing the vernier. If necessary, use the signal generator frequency control to center the display.
5. Increase the signal level on the display while keeping track of the number of LOG REF LEVEL 10-dB steps. Use LOG REF LEVEL vernier for the final small adjustment.
6. Add up total attenuation. The level of the 44 MHz signal in step 5 should be at least 70 dB below the level in step 2.

44 MHz Rejection: 70 dB_____
7. If the rejection is not at least 70 dB, adjust the 44 MHz capacitors A3C11, 14, and 19 on the A3 50 MHz Converter assembly for minimum 44 MHz signal indication on the analyzer display.
8. When the 44 MHz rejection adjustment is completed, repeat the check and adjustment procedure in the 50 MHz IF Bandpass Check and Adjustment, paragraph 5-38.

5-40. 30 MHz Calibration Oscillator Check and Adjustment

REFERENCE: Schematic 18.

DESCRIPTION: The CAL OUTPUT at the front panel is measured and adjusted for 30 MHz at -30 dBm. The amplitude is measured on the analyzer CRT by comparing it to a calibrated signal. The frequency is amplified and measured with a counter.

ADJUSTMENTS

5-40. 30 MHz Calibration Oscillator Check and Adjustment (cont'd)

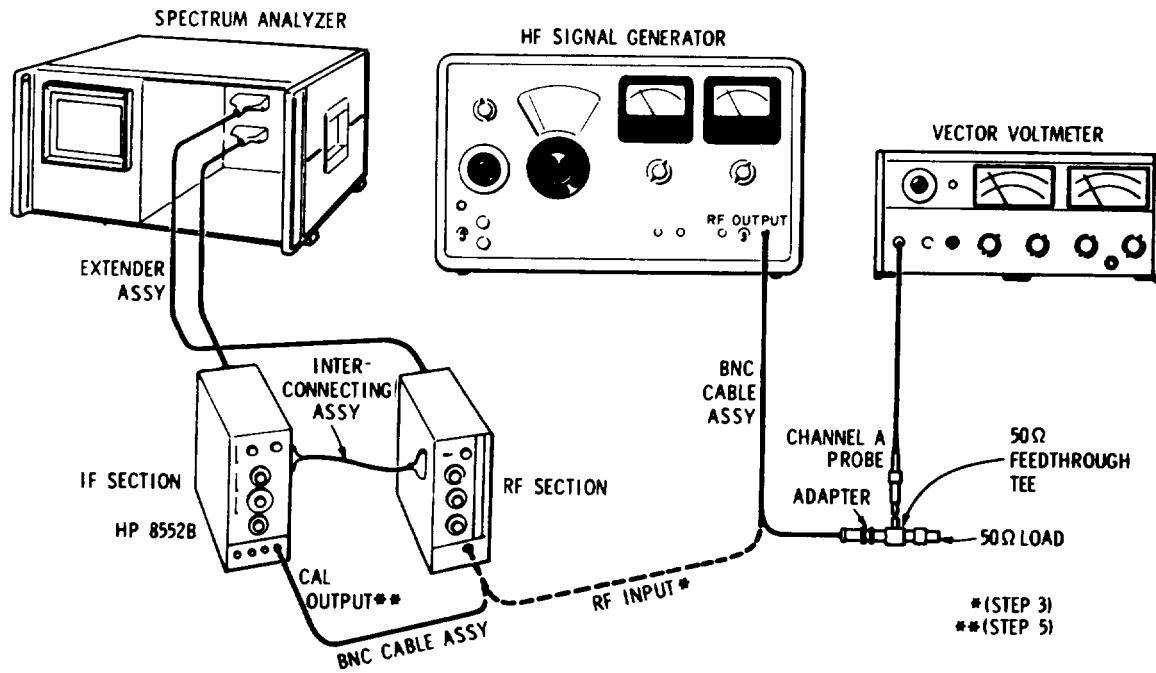


Figure 5-16. 30 MHz Calibration Amplitude Adjustment Setup

EQUIPMENT:

VECTOR VOLTMETER	HP 8405A
CABLE ASSEMBLY (2)	HP 10503A
EXTENDER ASSEMBLY	HP 11592-60015
INTERCONNECTING ASSEMBLY	HP 11592-60016
50-OHM LOAD	HP 908A
50-OHM TEE	HP 11536A
ADAPTER	UG-201A/U
SIGNAL GENERATOR	HP 606B

1. Connect the equipment shown in Figure 5-16 and make the following control settings:

ANALYZER:

FREQUENCY	30 MHz
BANDWIDTH	30 kHz
SCAN WIDTH	PER DIVISION
SCAN WIDTH PER DIVISION	20 kHz
TUNING STABILIZER	On
INPUT ATTENUATOR	10 dB
SCAN TIME PER DIVISION	5 MILLISECONDS

ADJUSTMENTS

5-40. 30 MHz Calibration Oscillator Check and Adjustment (con't.)

ANALYZER control settings (cont'd)

LOG-LINEAR LINEAR
 LINEAR SENSITIVITY 1 mV/DIV
 SCAN MODE INT
 SCAN TRIGGER AUTO

8405A:
 FREQUENCY RANGE - MHZ 20-40
 CHANNEL A
 AMPLITUDE RANGE - dB -30

606B:
 RANGE 6
 FREQUENCY 30 MHz
 MODULATION CW
 ATTENUATOR 30 dB
 VERNIER 0 dB

2. Set amplitude of signal generator (as read on vector voltmeter) to exactly -30 dBm with ATTENUATOR VERNIER.
3. Disconnect signal generator from vector voltmeter and connect to analyzer RF INPUT. Adjust analyzer FINE TUNE control to center signal.
4. Adjust signal with LINEAR SENSITIVITY vernier for a 7.0 division reference on CRT display.
5. Disconnect signal generator from RF INPUT. Connect CAL OUTPUT to RF INPUT.
6. Signal Amplitude should be 7.0 division ± 0.2 divisions.

6.8 _____ 7.2 div
7. If it is out of limits, peak signal with A6C15 and set signal level to 7.0 division with A6R54 CAL LEVEL.

NOTE

A6 must not be operated on extender board for this adjustment.

8. Measure the Calibrator frequency (see paragraph 4-23). Frequency limits:

29.997 _____ 30.003 MHz
9. If frequency is out of limits, replace A6Y1 and repeat steps 1 through 8.

ADJUSTMENTS

5-41. Analogic Check and Adjustment

REFERENCE: Schematic 17.

DESCRIPTION: The A5R75 THRESH control is adjusted so that under the conditions specified in this test, the DISPLAY UNCAL light comes on. Check the remaining positions of the switches in the table to verify operation of the DISPLAY UNCAL switch matrix.

1. Install the analyzer plug-ins on the two extender cable assemblies, and make the following control settings:

ANALYZER:

VIDEO FILTER OFF
 SCAN TIME PER DIVISION1 MILLISECOND
 SCAN WIDTH PER DIVISION
 SCAN WIDTH PER DIVISION 1 MHz
 BANDWIDTH30 kHz

2. With the controls set as in step 1 above, the DISPLAY UNCAL light should be on. If not, adjust A5R75 THRESH control until the light just comes on.

3. Use Table 5-2 below to complete adjusting the THRESH control:

Table 5-2. Analogic Threshold Adjustment

SCAN TIME PER DIVISION	BANDWIDTH	SCAN WIDTH PER DIVISION	DISPLAY UNCAL Light
1 ms	30 kHz	1 MHz	On
2 ms	30 kHz	1 MHz	Off
10 s	1 kHz	10 MHz	On
10 s	1 kHz	5 MHz	Off

CHECKS AND ADJUSTMENTS

541. Analogic Test and Adjustment (cont'd)

4. Check operation of DISPLAY UNCAL light using Table 5-3. When the table indicates the DISPLAY UNCAL light to be "off", it is acceptable for light to be "on" if the light subsequently goes "off" when either the SCAN TIME PER DIVISION or the SCAN WIDTH PER DIVISION control is switched one position counterclockwise.

Table 5-3 Display Calibration Conditions

SCAN TIME PER DIVISION	BANDWIDTH	SCAN WIDTH PER DIVISION	DISPLAY UNCAL Light
1 ms	300 kHz	10 MHz	Off
1 ms	100 kHz	10 MHz	On
1 ms	100 kHz	5 MHz	Off
1 ms	30 kHz	5 MHz	On
5 ms	30 kHz	2 MHz	Off
5 ms	10 kHz	2 MHz	On
20 ms	10 kHz	1 MHz	Off
20 ms	3 kHz	1 MHz	On
0.1 s	3 kHz	0.5 MHz	Off
0.1 s	1 kHz	0.5 MHz	On
0.5 s	1 kHz	0.2 MHz	Off
0.5 s	0.3 kHz	0.2 MHz	On
2 s	0.3 kHz	0.1 MHz	Off
2 s	0.1 kHz	0.1 MHz	On
10 s	0.1 kHz	.05 MHz	Off
10 s	.05 kHz	.05 MHz	On
5 s	0.1 kHz	20 kHz	Off
2 s	0.1 kHz	20 kHz	On
2 s	0.1 kHz	10 kHz	Off
1 s	0.1 kHz	10 kHz	On
1 s	0.1 kHz	5 kHz	Off
0.5 s	0.1 kHz	5 kHz	On
0.5 s	0.1 kHz	2 kHz	Off
0.2 s	0.1 kHz	2 kHz	On
0.2 s	0.1 kHz	1 kHz	Off
0.1 s	0.1 kHz	1 kHz	On
0.1 s	0.1 kHz	0.5 kHz	Off
50 ms	0.1 kHz	0.5 kHz	On
50 ms	0.1 kHz	0.2 kHz	Off
20 ms	0.1 kHz	0.2 kHz	On

Table 5-4. Factory Selected Components

Component	Service Sheet	Basis of Selection
A1R16	8	Adjusts 10 kHz Bandwidth amplitude: 750 to 1200 ohms.
A1R38	8	Adjusts 300 kHz Bandwidth amplitude: 10 to 50 ohms.
A3R3	3	Adjusts 47 MHz LO level: 1.5K to 2.15K ohms.
A3R9	3	Adjusts 50 MHz Converter Gain: 18 to 52 ohms (4 ohm/dB change).
A4R125	11	Adjusts overall gain of 8552B for full deflection to Log Ref graticule with -13 dBm input at J6 (LOG REF LEVEL at -10 dBm): 200 to 700 ohms.
A6C13	15	Adjusts scan time at 0.2 to 10 sec/div: 0 to 15 microfarads.
A8R3	12	Optimizes 10 dB gain step: 1.47K to 2.37K.
A10R8 A10R9	11	Insures 10 dB/step attenuation: R8, 6.81K to 16.2K; R9, 21.5K to 51.1K.
A4R25 A4R26	11	Adjusts crystal filter skirt width. If out of specifications, change both resistors. Possible value ranges: R25, 19.6K to 23.7K; R26, 42.2K to 51.1K.
A4R44 A4R45	11	Adjusts crystal filter skirt width. If out of specifications, change both resistors. Possible value ranges: R44, 23.7K to 26.1K; R45, 51.1K to 56.2K.
A4R70 A4R71	11	Adjusts crystal filter skirt width. If out of specifications change both resistors. Possible value ranges: R70, 23.7K to 26.1K; R71, 51.1K to 56.2K.
A4R81 A4R82	11	Adjusts crystal filter skirt width, If out of specifications change both resistors. Possible value ranges: R81, 23.7K to 26.1K; R82, 51.1K to 56.2K.
A12R14	4	Adjusts search loop gain: 0 to 1K ohm.

Table 5-5. Check and Adjustment Test Record

Hewlett-Packard Model 8552
Spectrum Analyzer IF Section

Test Performed by _____
Date _____

Serial No. ___ _____

Para. No.	Test Description	Measurement Unit	Min	Actual	Max
5-27	Power Supply Checks and Adjustments				
	109.5 – 126.5 Line Voltage: +20 Vdc supply	Vdc	+19.90	_____	+20.10
	Ripple	mVrms		_____	0.5
	-10 Vdc supply	Vdc	9.99	_____	-10.01
	Ripple	mVp-p		_____	0.02
5-28	Horizontal Scan Checks & Adjustments				
	SCAN IN/OUT voltage: Rise Time	ms	5 0	_____	58
	SCAN TRIGGER EXT	Vdc	4 . 9 8	_____	5.02
	Scan Amplitude	Vdc	+ 4 . 9	_____	+ 5.1
5-29	Final Scan Checks				
	Scan Linearity Graticule:				
	-5	divisions	- 0.1	_____	+ 0.1
	-4	divisions	- 0.1	_____	+ 0.1
	-3	divisions	- 0.1	_____	+ 0.1
	-2	divisions	- 0.1	_____	+ 0.1
	-1	divisions	- 0.1	_____	+ 0.1
	0	divisions	- 0.1	_____	+ 0.1
	+1	divisions	- 0.1	_____	+ 0.1
	+2	divisions	- 0.1	_____	+ 0.1
	+3	divisions	- 0.1	_____	+ 0.1
+4	divisions	- 0.1	_____	+ 0.1	
	SCAN TRIGGER EXT	Vp-p	2	_____	20
	EXT SCAN MODE: voltage required for trace	Vp-p	8	_____	
	VIDEO TRIGGER: voltage required for trace	divisions	1.5	_____	
	MANUAL SCAN	divisions	10	_____	
5-30	Vertical Deflection Amplifier Checks				
	VERTICAL POSITION control check	divisions	2	_____	+ 2
	VERTICAL GAIN control check	divisions	2	_____	
	2 dB LOG: at 0 dB	LOG REF		_____	(✓)
	at -10 dB	-50 dB		_____	(✓)
	BASE LINE CLIPPER Check: full CW	divisions	2	_____	8

Table 5-5. Check and Adjustment Test Record (cont'd)

Para. No.	Test Description	Measurement Unit	Min	Actual	Max	
5-31	Log/Linear Amplifier Checks & Adjustments VERTICAL OUTPUT voltage: 7.07 div deflection	Vdc		_____		
	Input Level at XA4-14	Output at XA8-14				
	-100 dBm	<6 mVdc	mVdc	_____	-6	
	+ 10 dBm	800 ±40	mVdc	-840	_____	-760
	0 dBm	700 ±40	mVdc	-740	_____	-660
	- 10 dBm	600 ±40	mVdc	-640	_____	-560
	- 20 dBm	500 ±40	mVdc	-540	_____	-460
	- 30 dBm	400 ±40	mVdc	-440	_____	-360
	- 40 dBm	300 ±40	mVdc	-340	_____	-260
	- 50 dBm	200 ±40	mVdc	-240	_____	-160
- 60 dBm	100 ±40	mVdc	-140	_____	- 60	
5-32	300 kHz Bandpass Filter Adjustment Bandwidth	kHz	240	_____	360	
5-33	LC Filter Adjustment Gain Check:					
	300 kHz	Reference				
	100 kHz	±0.4 div	divisions	-0.4	_____	+0.4
	30 kHz	±0.4 div	divisions	-0.4	_____	+0.4
	10 kHz	±0.4 div	divisions	-0.4	_____	+0.4
	3 kHz	±0.4 div	divisions	-0.4	_____	+0.4
	Bandwidth Check:					
	100 kHz		kHz	80		120
	30 kHz		kHz	24		36
10 kHz		kHz	9.5		10.5	
5-34	Crystal Filter Fine Adjustment Gain Check:					
	3 kHz : set for 7 div		divisions	6.7	_____	7.3
	1 kHz		divisions	6.7	_____	7.3
	0.3 kHz		divisions	6.7	_____	7.3
	0.1 kHz		divisions	6.7	_____	7.3
	0.03 kHz		divisions	6.5	_____	7.5
	0.01 kHz		divisions	6.0	_____	7.0

Table 5-5. Check and Adjustment Test Record (cont'd)

Para. No.	Test Description	Measurement Unit	Min	Actual	Max
5-34 (cont)	Between 3 kHz and 300 kHz Bandwidth Check:				
	3 kHz	divisions	4.8	_____	7.2
	1 kHz	divisions	4.0	_____	6.0
	0.3 kHz	divisions	4.8	_____	7.2
	0.1 kHz	divisions	4.0	_____	6.0
	.03 kHz	divisions	1.2	_____	1.8
	.01 kHz	divisions	0.4	_____	0.6
	60 dB/3 dB Bandwidth Ratio				
	3 kHz	Ratio		_____	11:1
	1 kHz	Ratio		_____	11:1
	0.3 kHz	Ratio		_____	11:1
	0.1 kHz	Ratio		_____	11:1
	.03 kHz	Ratio		_____	11:1
	.01 kHz	Ratio		_____	11:1
5-35	Crystal Filter Come Adjustment If necessary	(√)		_____	
5-36	3 MHz If Gain Log Adjustments				
	LOG REF LEVEL vernier: -0	Vdc	-0.96	_____	+1.04
	-1	Vdc	-0.96	_____	+1.04
	-2	Vdc	-0.96	_____	+1.04
	-3	Vdc	-0.96	_____	+1.04
	-4	Vdc	-0.96	_____	+1.04
	-5	Vdc	-0.96	_____	+1.04
	-6	Vdc	-0.96	_____	+1.04
	-7	Vdc	-0.96	_____	+1.04
	-8	Vdc	-b.96	_____	+1.04
	-9	Vdc	-0.96	_____	+1.04
	-10	Vdc	-0.96	_____	+1.04
	-11	Vdc	-0.96	_____	+1.04
	-12	Vdc	-0.96	_____	+1.04
VERTICAL OUTPUT voltage: 7.07 div deflection	Vdc		_____		

Table 5-5. Check and Adjustment Test Record (cont'd)

Para. No.	Test Description	Measurement Unit	Min	Actual	Max													
5-36 (cont)	<table border="0"> <tr> <td><u>Test Atten.</u></td> <td><u>LOG REF</u></td> <td><u>Error Limit</u></td> <td></td> <td></td> <td></td> </tr> <tr> <td></td> <td><u>LEVEL</u></td> <td></td> <td></td> <td></td> <td></td> </tr> </table>	<u>Test Atten.</u>	<u>LOG REF</u>	<u>Error Limit</u>					<u>LEVEL</u>									
	<u>Test Atten.</u>	<u>LOG REF</u>	<u>Error Limit</u>															
		<u>LEVEL</u>																
	10 dB	-10 dBm	2 mVdc	mVdc	- 2	_____ +2												
	20 dB	-20 dBm	2 mVdc	mVdc	- 2	_____ +2												
	30 dB	-30 dBm	2 mVdc	mVdc	- 2	_____ +2												
	40 dB	-40 dBm	2 mVdc	mVdc	- 2	_____ +2												
	50 dB	-50 dBm	2 mVdc	mVdc	- 2	_____ +2												
	<table border="0"> <tr> <td><u>Test Atten.</u></td> <td><u>LINEAR</u></td> <td><u>Error Limit</u></td> <td></td> <td></td> <td></td> </tr> <tr> <td></td> <td><u>SENSIVITY</u></td> <td></td> <td></td> <td></td> <td></td> </tr> </table>	<u>Test Atten.</u>	<u>LINEAR</u>	<u>Error Limit</u>					<u>SENSIVITY</u>									
	<u>Test Atten.</u>	<u>LINEAR</u>	<u>Error Limit</u>															
		<u>SENSIVITY</u>																
	43 dB	0.1 mV/DIV	±15 mVdc	mVdc	-15	_____ +15												
	33 dB	0.2 mV/DIV	±15 mVdc	mVdc	-15	_____ +15												
23 dB	1 mV/DIV	±15 mVdc	mVdc	-15	_____ +15													
13 dB	2 mV/DIV	±15 mVdc	mVdc	-15	_____ +15													
3 dB	10 mV/DIV	±15 mvdc	mVdc	-15	_____ +15													
5-37	47 MHz LO Automatic Phase Lock Check and Adjustment																	
	Level at A12TP2	mV p-p	450	_____	850													
	Frequency at A12TP2	MHz	44.990	_____	45.010													
	Level at C8	V p-p	8.5	_____	11.5													
	Level at J8	V p-p	1.5	_____	2.5													
	Level at A13TP1	mV p-p	650	_____	1150													
	Frequency at A13TP1	kHz	1998	_____	2002													
	Frequency Linearity: Positive Offset	divisions	0.75	_____	0.75													
	Negative Offset	divisions	0.75	_____	0.75													
	No Offset	divisions	0.76	_____	0.75													
APC Error at C8	V d c	+3.6	_____	+4.4														
5-36	50 MHz IF Band pass Check & Adjustment																	
Flatness: ±0.2 vertical divisions over 2 horizontal divisions	divisions	-0.2	_____	+0.2														
5-39	44 MHz Rejection Adjustment																	
44 MHz Rejection > 70 dB	dB	70	_____															
5-40	30 MHz Calibration Oscillator Check & Adjustment																	
	Amplitude	divisions	6.8	_____	7.2													
	Frequency	MHz	29.997	—	30.003													

Table 5-5. Check and Adjustment Test Record (cont'd)

Para. No.	Test Description	Measurement Unit	Min	Actual	Max																														
5-41	<p>Analogic Check and Adjustment</p> <table border="0"> <tr> <td><u>SCAN TIME</u></td> <td><u>SCAN WIDTH</u></td> <td><u>BAND-WIDTH</u></td> <td><u>DISPLAY UNCAL</u></td> <td></td> <td></td> </tr> <tr> <td>1 ms</td> <td>1 MHz</td> <td>30 kHz</td> <td>On</td> <td>(✓)</td> <td>_____</td> </tr> <tr> <td>2 ms</td> <td>1 MHz</td> <td>30 kHz</td> <td>Off</td> <td>(✓)</td> <td>_____</td> </tr> <tr> <td>10 s</td> <td>10 MHz</td> <td>1 kHz</td> <td>On</td> <td>(✓)</td> <td>_____</td> </tr> <tr> <td>10 s</td> <td>5 MHz</td> <td>1 kHz</td> <td>Off</td> <td>(✓)</td> <td>_____</td> </tr> </table>	<u>SCAN TIME</u>	<u>SCAN WIDTH</u>	<u>BAND-WIDTH</u>	<u>DISPLAY UNCAL</u>			1 ms	1 MHz	30 kHz	On	(✓)	_____	2 ms	1 MHz	30 kHz	Off	(✓)	_____	10 s	10 MHz	1 kHz	On	(✓)	_____	10 s	5 MHz	1 kHz	Off	(✓)	_____				
<u>SCAN TIME</u>	<u>SCAN WIDTH</u>	<u>BAND-WIDTH</u>	<u>DISPLAY UNCAL</u>																																
1 ms	1 MHz	30 kHz	On	(✓)	_____																														
2 ms	1 MHz	30 kHz	Off	(✓)	_____																														
10 s	10 MHz	1 kHz	On	(✓)	_____																														
10 s	5 MHz	1 kHz	Off	(✓)	_____																														

SECTION VII MANUAL CHANGES

7-1. INTRODUCTION

7-1. This section contains information for adapting this manual to instruments for which the content does not apply directly.

7-3. To adapt this manual to your instrument, refer to Table 7-1 and make all of the manual changes listed opposite your instrument serial number. Per-

form these changes in the sequence listed.

7-4. Refer to paragraph 7-6 for manual changes pertaining to later serial numbered instruments.

NOTE

Changes M, N, and R in Table 7-1 below are deleted.

Table 7-1. Manual Changes by Serial Number

Serial Prefix or No.	Make Manual Changes
1345A	A
1335A04961 to 05360	A, B
1335 A04861 to 04960	A, B, C
1311A	A through D
1250A	A through E
1234A02983 to 03210	A through F
1217A	A through G
1210A	A through H
1209A	A through I
1144A01311 to 01810	A through J
1144A01211 to 01310	A through K
1137A	A through L

Serial Prefix or No.	Make Manual Changes
1131A	A through M
1121A00811 to 00960	A through N
1121A00761 to 00810	A through O
1107A00561 to 00760	A through P
1107A00436 to 00560	A through Q
1050A00386 to 00435	A through R
1050A00311 to 00385	A through S
977-00261 to 00310	A through T
977-00186 to 00260	A through U
977-00161 to 00185	A through V
974	A through W
971	A through X

Table 7-2. Summary of Changes by Component (1 of 2)

Changes	A	B	c	D	E	G	H	I	J	K
A1	L7	R4, R7, R12, R21, R25, R26, R30, R44, R45, R70, R71, R81, R82			R60					
A2			Z1							
A3										
A3A2										
A4								R36 R55 R96 R112		R122
AS				C20 R18						
A6					RS7					
A7							Note 2			
A8									R98	
A10										
A11										
A12										
A13										
W13									W13	
CHASSIS PARTS										

Table 7-2. Summary of Changes by Component (2 of 2)

Changes	L		O	P		S	T	V	W	X	Y
A1									R38		
A2											
A3										Note 1	
A3A2									C15, R3 R7, R8, R13, R14		
A4				CR48 CR49				R115 R122	R10, R44, R45, R70 R71, R81, R82, R102, R115, R117 R122, R126 R132		
A5				Z1				U1 U2			C14,15 C19
A6								C13			
A7	C4, R7		Q2,Q9 R7,R20 R21,R24 R25, CR23 R12				Q10 Q19	R23 R24			
A8											
A10						R10					
A11							R1				
A12											L4, L5 L6 R14 R16
A13										L2	
W13											
CHASSIS PARTS						R13	XF1 XF2				

NOTES

1. Extensive changes in A3 assembly. New parts list and schematic for instruments with serial prefix 974- and lower.
2. The instrument contains a new A7 board assembly. Section 7 of this manual contains the information contained on Service Sheet 14 for instruments with aerial number prefixes 1217A and lower.

7-5. MANUAL CHANGE INSTRUCTIONS

CHANGE A

Page 8-27, Figure 8-19 (Service Sheet 4):

Delete L7 on lead from "+20" to "TO C10" on right-hand side of A12 assembly.

Page 8-21 (Service Sheet 4):

Add A12L7 between "+20 V" on A12 Assembly and C10 feedthrough capacitor.

CHANGE B

Page 8-35, Figure 6-29 (Semite Sheet 8):

Change A1R4, A1R12, A1R21, and A1R30 to 3.65K ohms.

Page 8-39, Figure 8-32 (Semite Sheet 10):

Change A4R25* to A4R25 19.6K ohms.

Change A4R26* to A4R26 42.2K ohms.

Change A4R44†* to A4R44 † 23.7K ohms.

Change A4R45†* to A4R45 † 51.1K ohms.

Page 8-41, Figure 8-34 (Service Sheet 11):

Change A4R70†* to A4R70 † 23.7K ohms.

Change A4R71†* to A4R71 † 51.1K ohms.

Change A4R81†* to A4R81 † 23.7K ohms.

Change A4R82†* to A4R82 † 51.1K ohms.

CHANGE C

Page 8-31, Figure 8-25 (Service Sheet 6):

Delete shielding bead A2Z1 adjacent to A2C10.

Page 8-57, Figure 8-51 (Service Sheet 19):

Delete A5Z2 at base lead of A5Q23 (top left-hand side of schematic).

CHANGE D

Page 8-57, Figure 8-50, (Service Sheet 19):
 Change C20 to R18 on A5 Power Supply.

Page 8-57, Figure 8-51 (Service Sheet 19):
 Delete A5C20 .01 μF (lower left-hand portion of schematic).
 Add A5R18 511 ohms in place of A5C20 (from gate to cathode of A5CR10).

CHANGE E

Page 8-35, Figure 8-29 (Service Sheet 8):
 Change the value of R60 to 147 ohms.

CHANGE F

Page 8-23, Table 8-5 (Service Sheet 2):
 Delete under connector J3: Pin 22, Wire Color Code, 90; Function, Scan width Ground.

Page 8-29, Figure 8-23 (Service Sheet 5):
 Change the diagram as shown in the partial schematic.

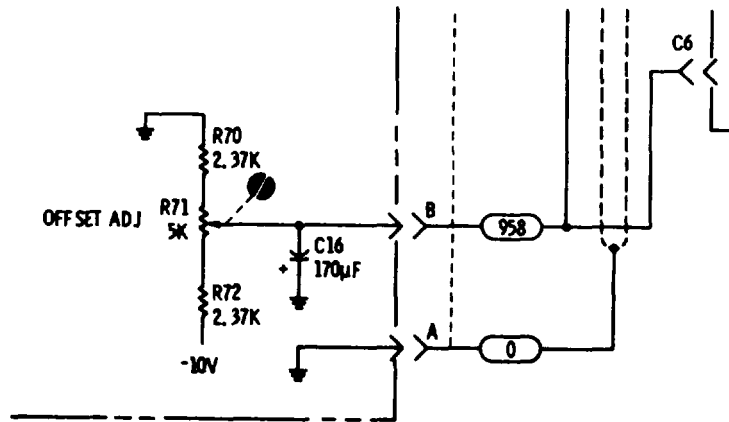


Figure 7-1. Power Supply Partial Schematic (Part of Change F)

CHANGE G

Page 8-55, Figure 8-49 (Service Sheet 18):

Change Note 1 to: R57 is 1.1K ohms for Options H01/H02.

CHANGE H

Service Sheet 14 Component Locations:

Change to Figure 7-10.

Service Sheet 14 Schematic:

Change the figure as shown by Figure 7-11.

Service Sheet 14 Text:

Redate the text material with the information contained under the heading SERVICE SHEET 14 TEXT.

SERVICE SHEET 14 TEXT (Part of Change H)

It is assumed that the video signal from the Log/Lin assembly and dc supply voltages are present and correct but that the vertical deflection output signals are not correct.

TROUBLESHOOTING PROCEDURE

When trouble has been isolated to the Deflection Amplifier assembly, the assembly should be removed from the chassis and re-installed using an extender board to provide easy access to components. Test procedures follow the technical discussions of individual circuits.

EQUIPMENT REQUIRED

- SERVICE KIT. HP 11592A
OSCILLOSCOPE HP 180A/1801A/1821A
DIGITAL VOLTMETER HP 3440A/3443A

CONTROL SETTINGS

Unless otherwise specified in individual tests.

- SCAN WIDTH PER DIVISION 2 MHz
LOG REF LEVEL 30 dBm
VIDEO FILTER OFF
SCAN TRIGGER LINE
INPUT ATTENUATION 0 dB
LOG-LINEAR 10 dB LOG
SCAN MODE. INT
SCAN TIME PER DIVISION 1 MILLISECOND
CAL OUTPUT connected to RF INPUT
FREQUENCY. 30 MHz

1 BLANKING AND BLANKING CONTROL CIRCUITS

Operation of the blanking preamplifier Q12/Q21 is controlled by the scan generator in the INT (internal) mode of operation and by an external source (via J2) in the EXT (external) mode. In the SINGLE mode a -12.6V dc level is applied to the trigger circuit in the scan generator to enable the circuit for one scan only. In the MANUAL mode, blanking is not used.

Q12/Q21 act as a switch to control the operation of Q11. When Q11 is turned off the CRT is blanked. Blanking is also partially controlled by the baseline clipper and clipper override circuits. See step 2

TEST PROCEDURE 1

Connect the HP 180A/1801A/1821A to TP A (Q11-e) and observe the waveforms shown in A and B below.

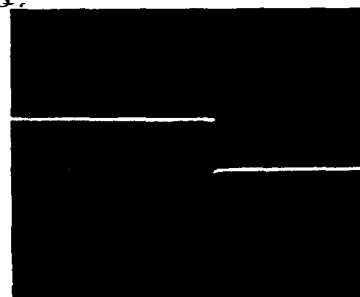
CONTROL SETTINGS: (Waveform A)

- Oscilloscope:
5V/Div
2 msec/Div
10:1 Probe

- Analyzer:
BASE LINE
CLIPPER CCW

Waveform GOOD: Proceed to waveform B.

Waveform BAD: Check Q11/Q12/Q21 and associated components.



SERVICE SHEET 14 TEXT (cont'd)
(Part of Change H)

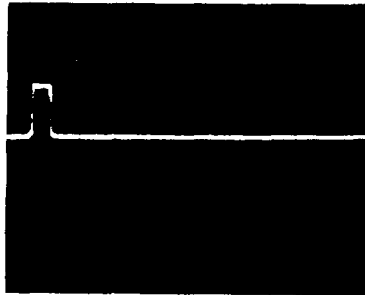
CONTROL SETTINGS:
(Waveform B)

Oscilloscope:
Same as A.

Analyzer: Same as above except rotate BASE LINE CLIPPER full cw.

If waveform A was GOOD and B was BAD, trouble should be in the baseline clipper circuits.

If correct waveforms were obtained, blanking circuits and baseline clipper circuit is functioning properly. Proceed to step 2



2 BASELINE CLIPPER AND CLIPPER CIRCUIT

Q3/Q13 operates as a comparator in which the video signal is compared to a reference level established by the BASE LINE CLIPPER control and the clipper override circuit.

When R10 is turned fully ccw and marker signals are not present, Q13 conducts heavily and the dc level at the junction of CR5/CR6 reaches approximately +14 volts dc. Under these conditions Q3 cannot conduct and the display CRT is unblanked except when blanking pulses are present.

When the BASE LINE CLIPPER control is turned in a clockwise direction, Q13 conduction decreases, the dc level at the junction of CR5/CR6 decreases, and Q3 conducts when the negative-going deflection pulses are more positive than the established threshold. When Q3 conducts the CRT display is blanked. When a marker signal appears, Q20 inverts the marker and the dc level at the base of Q13 rises. Q13 conduction increases and holds Q3 off while the marker is present regardless of the position of the BASE LINE CLIPPER control.

TEST PROCEDURE 2

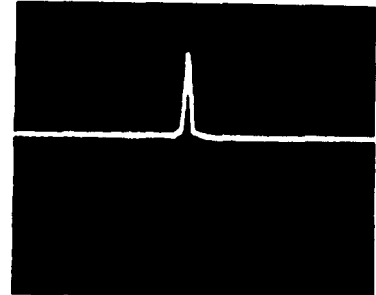
Operation of the BASE LINE CLIPPER is verified by the test procedure in step 1. To verify

operation of the clipper override circuit, connect the HP 180A/1801A/1821A to TP B (Q20-c) and observe the waveform.

CONTROL SETTINGS:

Oscilloscope:
0.1 V/Div
2 msec/Div
10:1 probe

Analyzer:
SCAN WIDTH:
preset SCAN



Rotate the BASE LINE CLIPPER control and observe that marker signal remains regardless of BASE LINE CLIPPER control position.

Waveform GOOD: Clipper override functions properly.

Waveform BAD: Check Q20. (After verifying presence of marker input.)

3 2 dB LOG AND VERTICAL PREAMPLIFIER CIRCUITS

Q15, Q16 and associated circuitry comprise an operational amplifier; when S1 (LOG-LINEAR switch) is in the 10 dB LOG position the amplifier's gain is 1. When S1 is in the 2 dB LOG position, K1 is energized by Q25. This adds a feedback divider and an offset to the amplifier to increase its gain to 5 and re-reference the maximum signal point to the CRT LOG REF graticule. Q24 is used as a dual diode and prevents any signal on the CRT display from going below the base line.

Q5, Q6, Q7 and associated circuitry comprise an operational amplifier with a gain of approximately 10. VERTICAL GAIN control, R11, controls the amplifier's feedback and thus its gain.

TEST PROCEDURE 3

3a. With LOG-LINEAR in 10 dB LOG, switch LOG REF LEVEL to -20 dBm to put the signal peak at the -10 dB graticule on the CRT display. Switch LOG-LINEAR to 2 dB LOG; signal should drop approximately to the -50 dB graticule.

Test GOOD: Proceed to 3b.

Test BAD: Check Q15, Q16, Q24, Q25 and associated circuitry.

3b. Connect HP 180A/1801A/1821A to TP C (Q5-c) and observe the waveform.

SERVICE SHEET 14 TEXT (cont'd)

(Part of Change H)

CONTROL SETTINGS

Oscilloscope:
0.1 V/Div
2 msec/Div
10:1 probe



Analyzer:
Same as basic except:

SCAN WIDTH 0-100 MHz
SCAN TIME PER DIVISION . 1 MILLISECOND
LOG REF LEVEL -10dBm
FREQUENCY50 MHz

Not a negative-going video and positive-going marker pulses. Rotate vertical gain control to verify proper operation.

Waveform GOOD: Proceed to step
Waveform BAD: Check Q5, Q6, Q7 and associated circuitry.

NOTE

If repairs to the 2 dB LOG and vertical pre-amplifier circuits are required, the adjustments specified in paragraphs 5-30 of Section V should be performed.

VERTICAL DEFLECTION POWER AMPLIFIERS

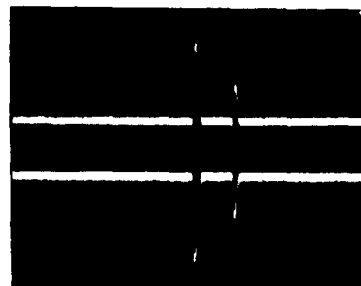
The vertical deflection signals from the vertical pre-amplifier are dc coupled through VR1 and R34 to output drive stage Q2. VR1 also provides a dc offset level for the vertical signals and Q1 provides a temperature compensation for the voltage control circuit. Q8 inverts the deflection signals to provide negative-going signals at the Q8 collector to drive one of the CRT deflection plates. Q8 also provides a non-inverted signal which is emitter coupled to Q18. Q18 does not invert the signal and it appears at the collector of Q18 as a positive-going deflection signal. Thus the signals at the emitters and bases of Q8 and Q18 are in phase and the collector signals are 180 degrees out of phase to provide push-pull deflection. VERTICAL POSITION control R15 controls the vertical position of the CRT trace by controlling the dc level of the pedestal on which the vertical deflection signals are applied to the CRT deflection plates.

TEST PROCEDURE 4

Connect the HP 180A/1801A/1821A Channel A probe to TP D (Q8-e) and the Channel B probe to TP E (Q18-e), and observe the waveforms.

CONTROL SETTINGS

Oscilloscope:
1 V/Div
2 msec/Div
10:1 probes



Analyzer:
Same as basic except:

SCAN TIME PER DIVISION 0.5 MILLISECOND
LOG REF LEVEL -10dBm
Waveform GOOD: Proceed to step 5

Waveform BAD: Check Q1, VR1, VR2, Q2, Q8, Q9, Q10, Q18, Q19 and associated components.

5 HORIZONTAL DEFLECTION AMPLIFIER

Driver stage Q23 inverts the scan ramp and applies it to the base of Q22. Q22 inverts the signal and supplies the positive-going deflection signal. The scan ramp is also emitter coupled to Q14 which supplies the negative-going deflection signal. The signals at the emitters and bases of Q14 and Q22 are in phase but the collector signals are 180 degrees out of phase and provide push-pull deflection signals to the horizontal deflection plates of the CRT. Controls are provided to vary the width and position of the CRT trace.

TEST PROCEDURE 5

Connect the HP 180A/1801A/1821A Channel A input to TP G (Q22-c) and the Channel B input to TP H (Q14-c) and observe the waveforms.

Waveform GOOD: Assembly functions properly.

If neither waveform is good, check Q1/Q2/Q8/Q10 and associated components.

If Channel A waveform is good and Channel B waveform is bad, check Q9/Q18/Q19 and associated components.

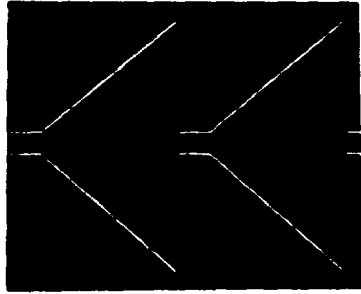
NOTE

If repairs to the deflection amplifier assembly are required, the Front Panel Check Procedure, paragraph 4-12 of Section IV, should be performed.

SERVICE SHEET 14 TEXT (cont'd)
(Part of Change H)

CONTROL SETTINGS

Oscilloscope:
2V/Div
5 msec/Div
10:1 probe



Waveform GOOD:
Unit functions
properly

Waveform A GOOD and B BAD check
Q4/Q14 and associated components.

Both waveforms BAD check Q23/Q22 and
associated components.

CHANGE I

Service Sheet 11 and 12 Schematics:

Change:

A4R36, R55, R96 and R112 to 7500 OHMS.

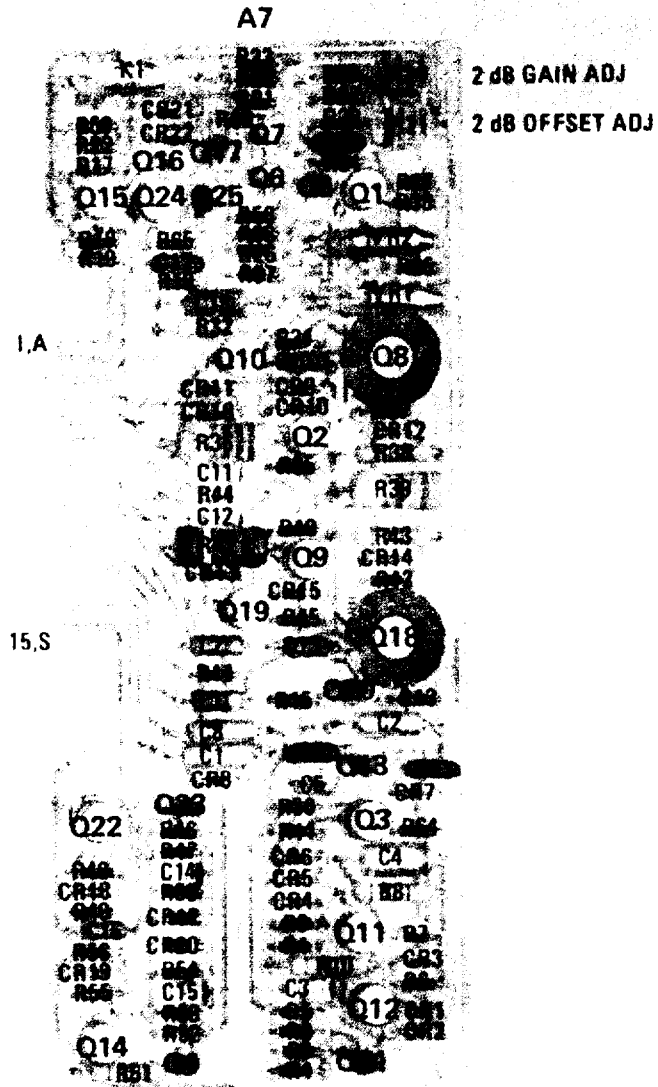


Figure 7-2. Deflection Amplifier A7 Component identification (Part of Change H)

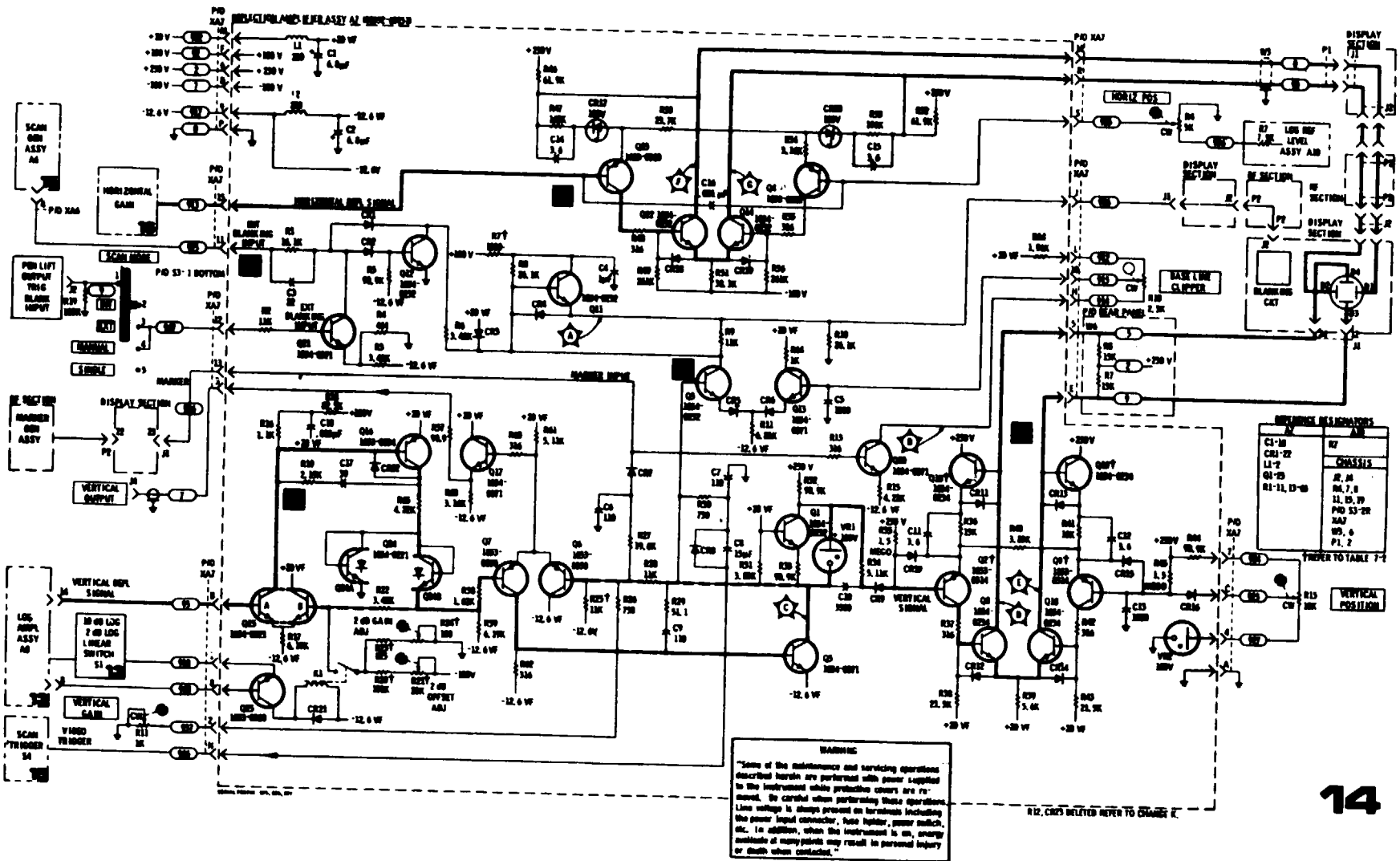


Figure 7-3. Deflection Amplifier (Part of Change H)

CHANGE J

Service Sheet 13 Schematic:

Change the figure as shown in the partial schematics of Figures 7-4 and 7-5.

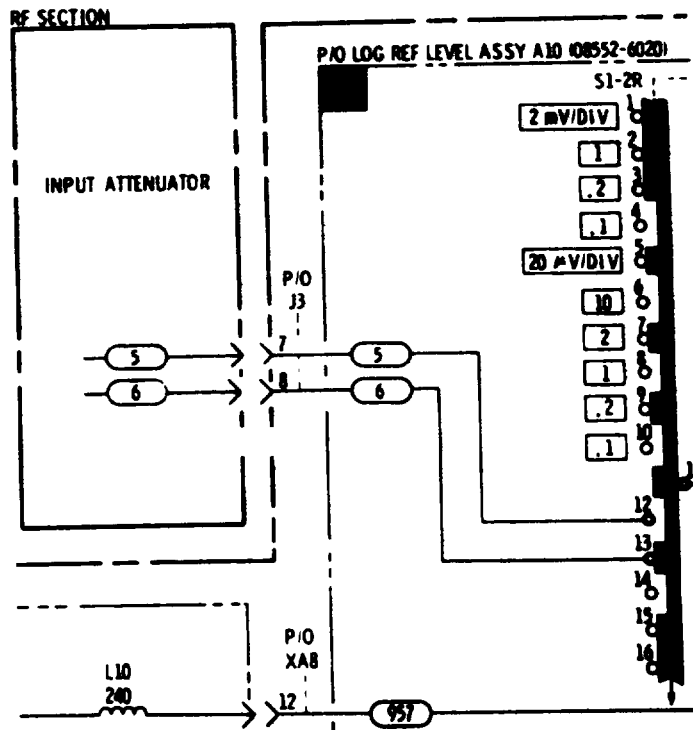


Figure 7-4. Log/Linear Amplifier Partial Schematic (Part of Change J)

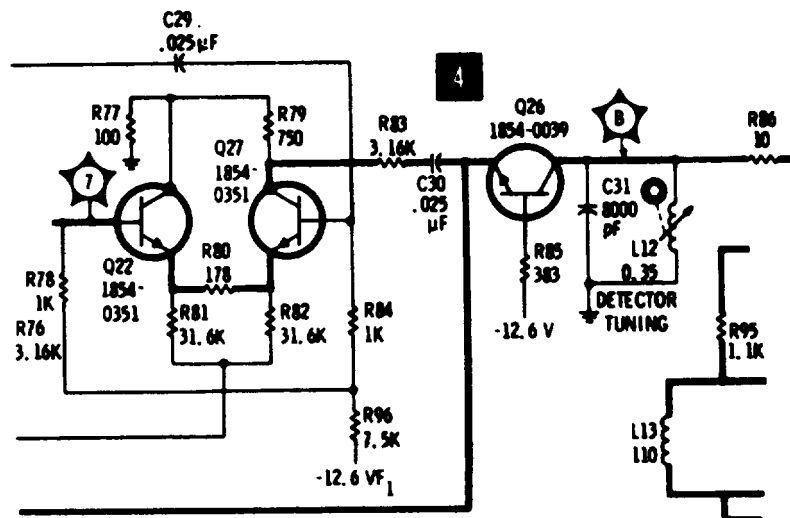


Figure 7-5. Log/Linear Amplifier Partial Schematic (Part of Change J)

Model 8552B

Manual Changes

CHANGE K

Service Sheet 11 Schematic:

Change the value of A4R122 to 511.

CHANGE L

Semite Sheet 14:

Change the value of A7R7 to 680 and A7C4 to 0.22.

CHANGE M

Deleted.

CHANGE N

Deleted.

CHANGE O

Service Sheet 14 Component Locations:

Change the figure to the one shown in Figure 7-5.

Service Sheet 14 Schematic:

change:

The HP Part number for the Deflection Amplifier Assy A7 (upper left-hand corner of the schematic) to 08552-60108.

A7Q2 and Q9 HP part numbers to 1853-0050 of Figures 7-6 and 7-7.

The diagram as shown in the partial schematics.

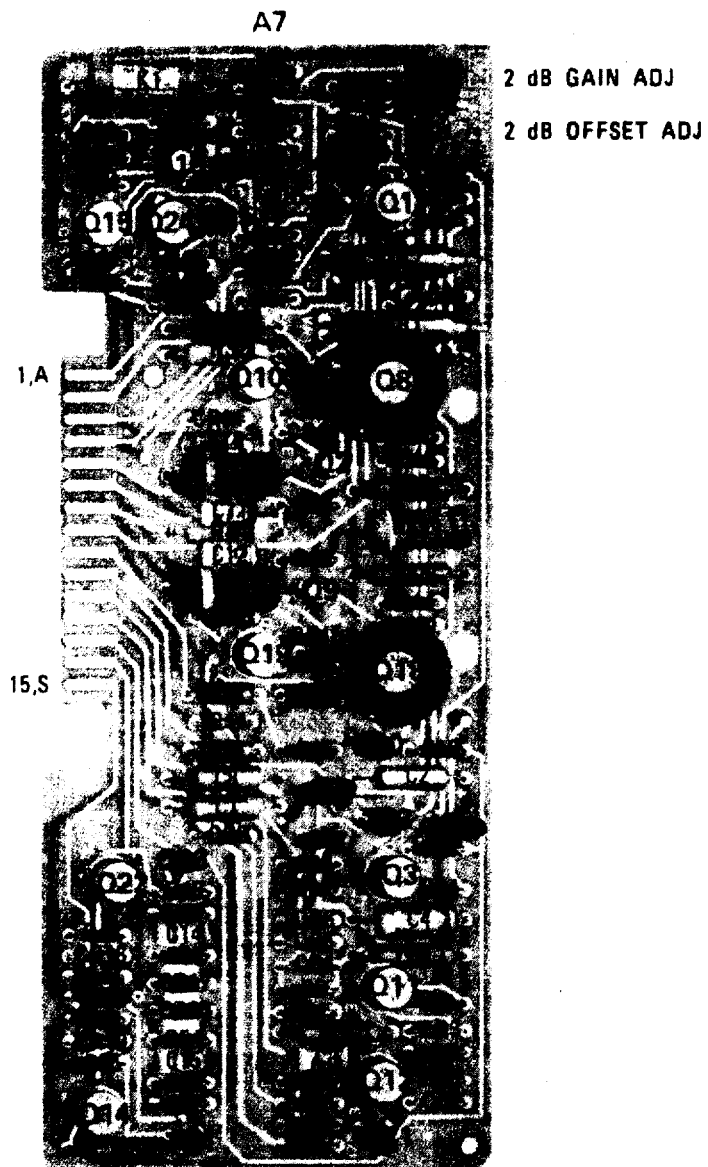


Figure 7-6. Deflection Amplifier A7 Component Identification (Part of Change O)

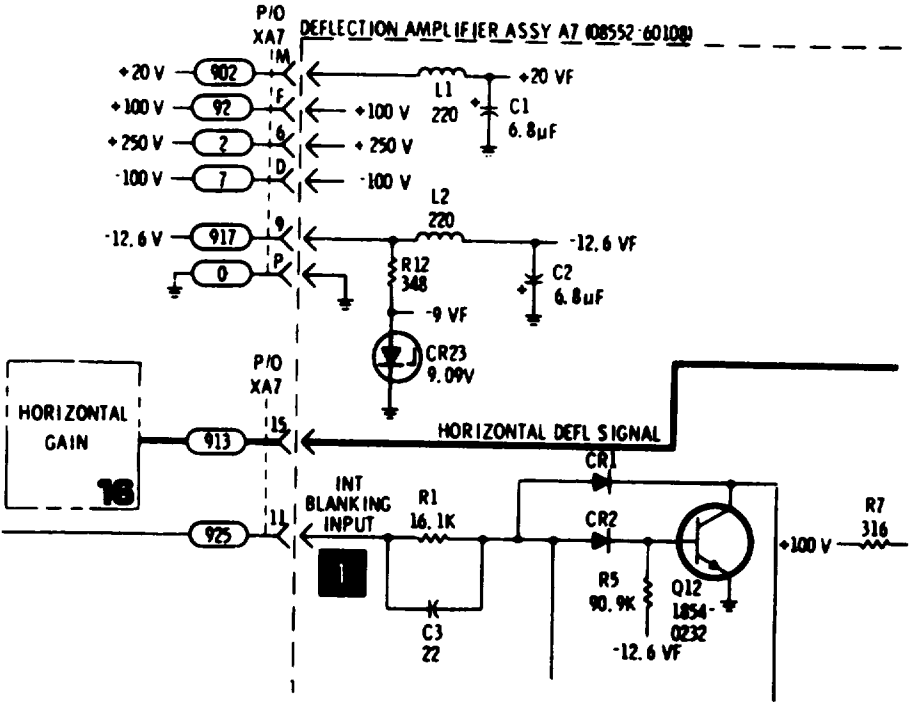


Figure 7-7. Deflection Amplifier Partial Schematic (Part of Change O)

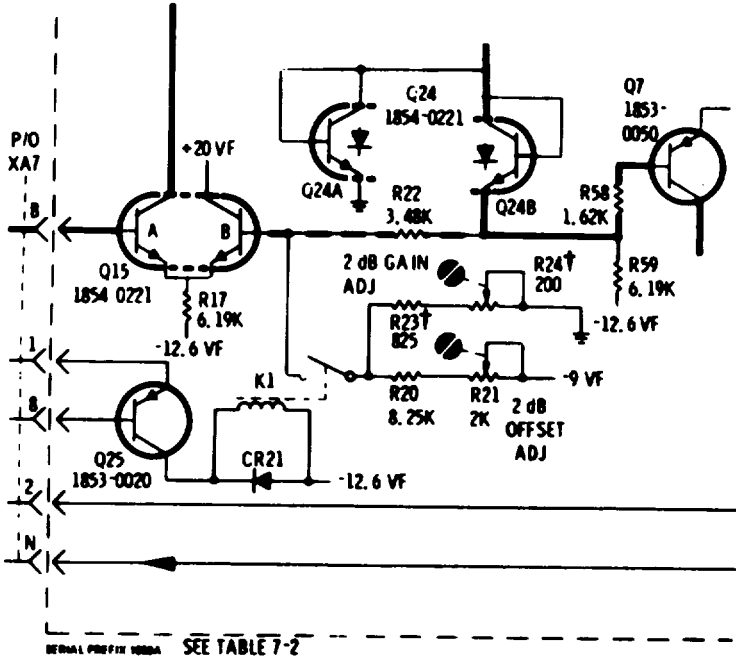


Figure 7-8. Deflection Amplifier Partial Schematic (Part of Change O)

CHANGE P

Service Sheet 19 Schematic:

Delete A5Z1.

Semite Sheet 10 Schematic:

Delete A4CR48 and CR49.

CHANGE Q

Table 1-1:

Change the AMPLITUDE SPECIFICATIONS:

Amplitude Accuracy:

Switching between bandwidths (at 20°C)

	LOG	LINEAR
0.03 – 300 kHz	±0.05 dB	±5.8%
0.01 – 300 kHz	±1.0dB	± 19.0%

CHANGE R

Delated.

CHANGE S

Service Sheet 13 Schematic:

Change: R13 value to 147.

Delete: A10R10 and show the -12.6 Vdc supply voltage connected directly to the switch contact.

CHANGE T

Service Sheet 14:

Change: A7Q10 and Q19 to 1864-0232.

Service Sheet 17:

Change: A11R1 to 34.8K.

CHANGE U

Service Sheet 13 Schematic:

Change the diagram as shown in the partial Schematics, Figure 7-9 and 7-10.

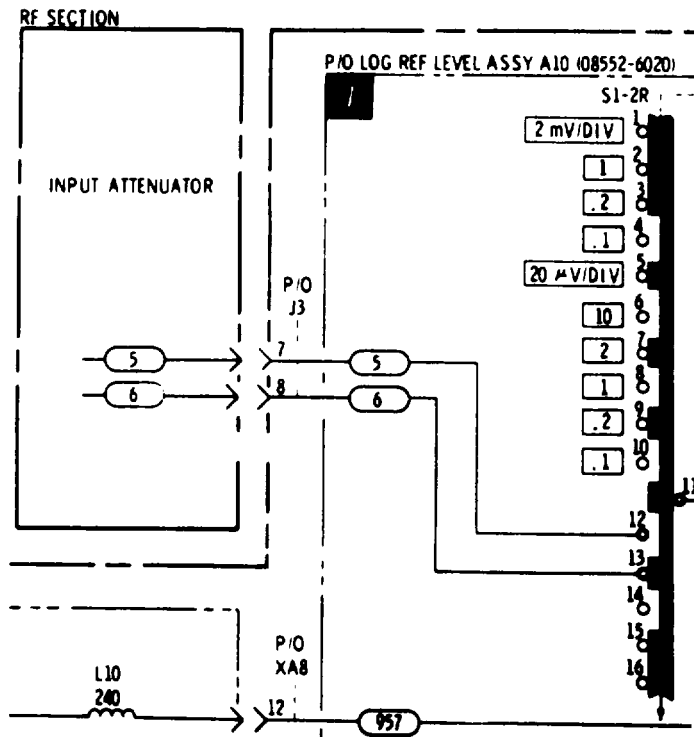


Figure 7-9. Log/Linear Amplifier Partial Schematic (Part of Change U)

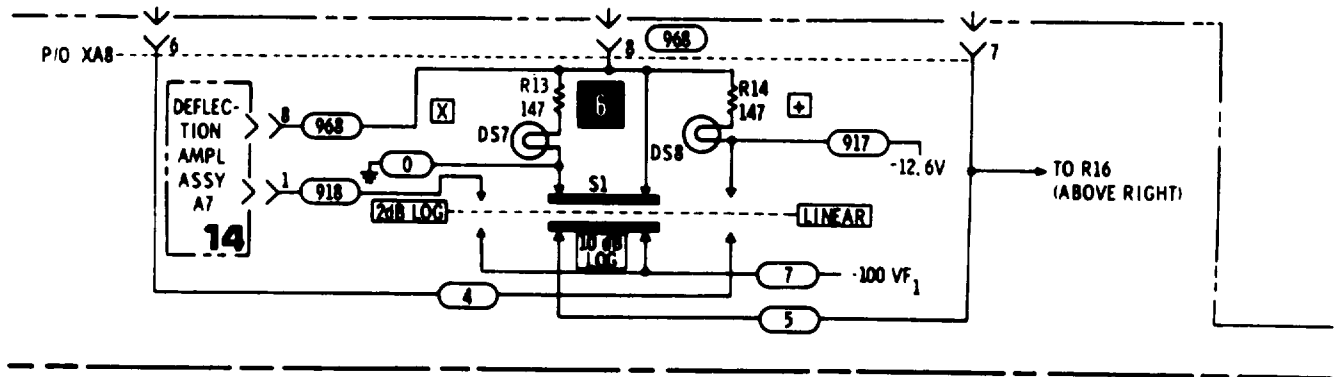


Figure 7-10. Log/Linear Amplifier Partial Schematic (Part of Change U)

CHANGE V

Service Sheet 4 Schematic:

Change: A12U1 HP Part number to 1820-0216.

Service Sheet 5 Schematic:

Change: A5U1 and U2 HP part numbers to 1820-0216.

Service Sheet 11 Schematic:

Change the value of
A4R115 to 147.
A4R122 to 1000.

Service Sheet 14 Schematic:

change:
The value of A7R23 to 909.
A7R24 to 100 ohm potentiometer.

Service Sheet 15 Schematic:

Change:
The value of A6C13 to 12.
A6U1 and U2 HP part numbers to 1820-0216.

CHANGE W

Service Sheet 3 Schematic:

Change the value of:

A3A2C15 to 39

A3A2R3 to 2150

A3A2R7 to 147

A3A2R8 to 61.9

A3A2R13 to 21.5

A3A2R14 to 90.9.

Service Sheet 4 Schematic:

Change the value of A4R10 to 2.15K.

Service Sheet 8 Schematic:

Change the value of A1R38 to 51.1.

Service Sheet 10 Schematic:

Change the value of:

A4R44 to 19.6K

A4R45 to 42.2K.

Service Sheet 11 Schematic:

Change the value of:

A4R70 and A4R81 to 19.6K

A4R71 and A4R82 to 42.2K

A4R102 to 12.1K

A4R115 to 51.1

A4R122 to 511

A4R126 and R128 to 1K

A4R132 to 10K.

CHANGE X

Service Sheet 3 Schematic Diagram:

Change the schematic to the one shown in Figure 7-11.

Service Sheet 4 Schematic Diagram:

Change the value of:

A12L4 and A12L5 to 8.2.

A12R14 to a 1000 ohm variable resistor.

A12R16 to 26.1

A13L2 to 33.0

Delete: A12L2.

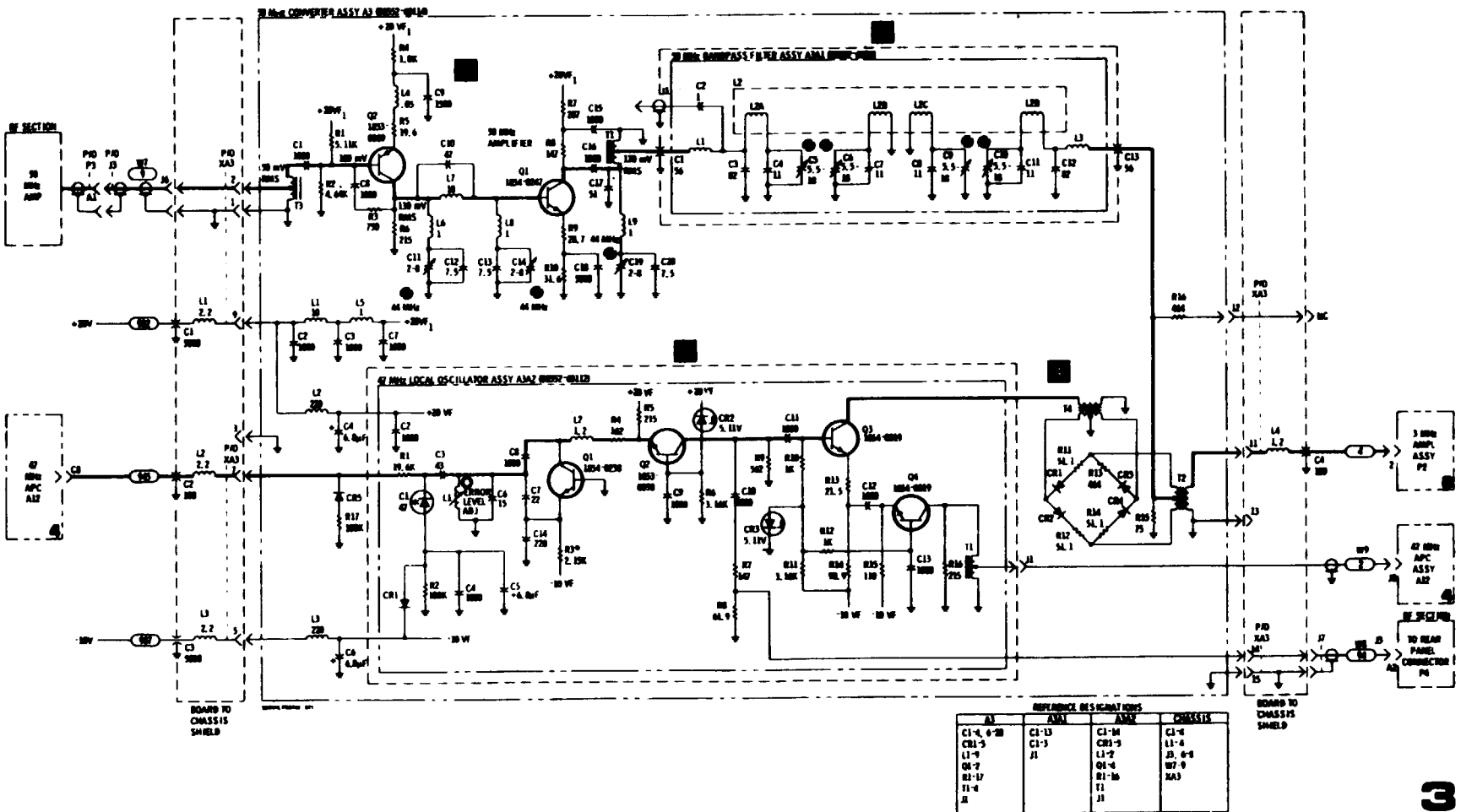


Figure 7-11. 50 MHz Converter (part of Change X)

CHANGE Y

Service Sheet 5 Schematic Diagram:
Change the Schematic as shown in Figure 7-12.

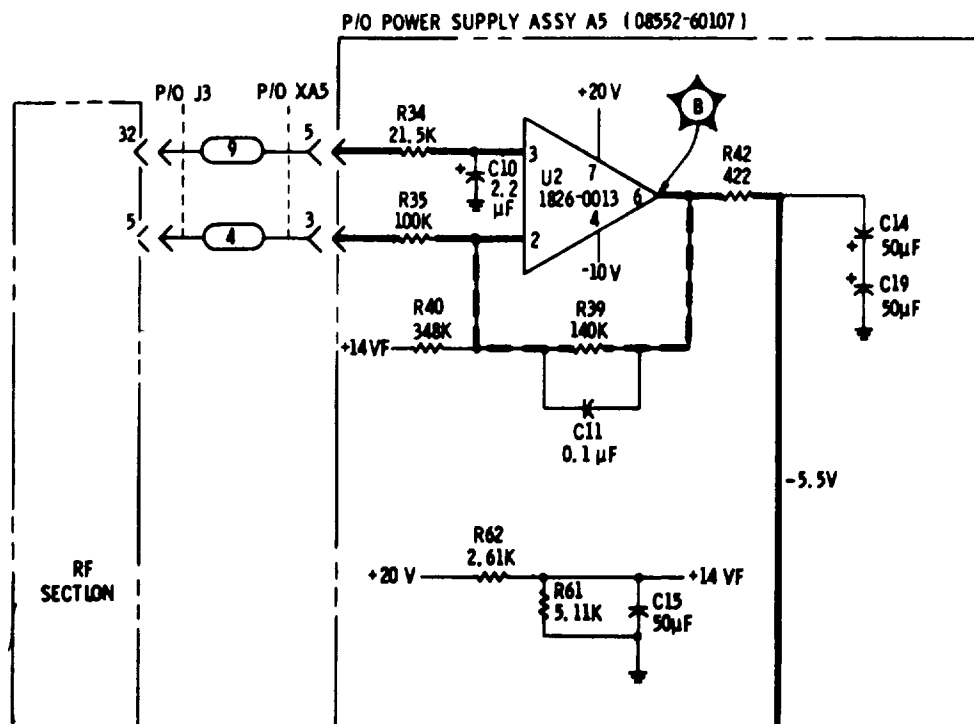


Figure 7-12. Power Supply Partial Schematic Diagram (Part of Change Y)

7-6. The manual changes given below are for correcting errors and for adapting the manual to instruments containing improvements made after the printing of the manual. Make all ERRATA corrections first and then make all appropriate serial number related changes indicated in the table.

<u>Serial Prefix or Number</u>	<u>Make Manual Changes</u>
1431A	1
1437A thru 1437A07660, 1505A thru 1505A prefix, 1613A	1,2
1616A	1,2,3
1650A	1,2,3,4

ERRATA

Page 8-27, Figure 8-19, SERVICE SHEET 4:
Change C10 (far left) to C11.

Page 8-31, Figure 8-25, SERVICE SHEET 6:
Delete pF from value of L12.

CHANGE 1

Page 8-41, Figure 8-34, SERVICE SHEET 11:
Change R122 to R122*.

Page 8-49, Figure 8-43, SERVICE SHEET 15:
Change A6R29 to 1.96K.
Change A6R39 to 19.6K.

CHANGE 2

Page 8-39, Figure 8-32, SERVICE SHEET 10:
Change A4R33 to A4R33* 1.33K.
Change A4R52 to A4R52* 1.33K.
Change A4R66 to A4R66* 1.33K.
Change A4R36† to A4R36†* 6.19K.
Change A4R55† to A4R55†* 6.19K.
Change A4R68† to A4R68†* 6.19K.

Model 8552B**Manual Changes****CHANGE 2 (Cont'd)**

Page 8-41, Figure 8-34, SERVICE SHEET 11.

Change A4R92 to A4R92* 1.33K.

Change A4R96† to A4R96†* 6.19K.

Change A4R108 to A4R108* 1.33K.

Change A4R112† to A4R112†* 6.19K.

CHANGE 3

Page 8-45, Figure 8-39, SERVICE SHEET 13:

Add A8R99 2.15K, on A8 LOG AMPLIFIER ASSY, between XA8 pin 8 and XA8 pin 9. Connection XA8 pin 9 is on SERVICE SHEET 12.

CHANGE 4

Page 1-6, Table 1-2:

Change Tuning Tool. Slot, Nonmettalic, 2.5-inch shaft HP Part Number to 8710-0772.

Page 5-14, Paragraph 5.32:

Under EQUIPMENT, change TUNING TOOL HP Part Number to 8710-0772.

Page 5-15, Paragraph 5.33:

Under EQUIPMENT, change TUNING TOOL HP Part Number to 8710-0772.

SECTION VIII

SERVICE

8-1. INTRODUCTION

8-2. This section provides instructions for troubleshooting and repair of the HP 8552B Spectrum Analyzer IF Section.

8-3. LINE VOLTAGE REQUIREMENTS

8-4. During adjustment and testing, the Spectrum Analyzer must be installed with an RF Section into a 140 Series Display Section which is connected to a source of power which is 50 to 60 Hz and 115 or 230 Vac $\pm 10\%$. If adjustment of the dc voltage regulators is necessary, the Spectrum Analyzer should be connected to the ac power source through a variable auto transformer and then be adjusted to check regulator action when the line voltage varies as much as 10%.

WARNING

“Some of the maintenance and servicing operations described herein are performed with power supplied to the instrument while protective covers are removed. Be careful when performing these operations. Line voltage is always present on terminals including the power input connec-

tor, fuse holder, power switch, etc. In addition, when the instrument is on, energy available at many points may result in personal injury or death when contacted.”

8-5. MAINTENANCE AIDS

8-6. Servicing aids provided on circuit boards include holes to fit the board removal tool, numbered test points (on some boards), transistor designators, adjustment callouts, and assembly stock numbers.

8-7. TEST EQUIPMENT AND ACCESSORIES REQUIRED

8-8. Test equipment and accessory requirements are listed in the **Maintenance Allocation Chart in the appendix.**

Test instruments other than those listed may be used if their performance equals or exceeds that of the equipment listed (**refer to Table 1-2**).

8-9. Two circuit board extenders are required to service the 8552B IF Section. A 15-pin extender is supplied with the HP 11592A Service Kit. It may be used to extend the A1 through A8 Assemblies. In addition, a 6-pin extender (HP 5060-5914) is required to extend the A13 Assembly.

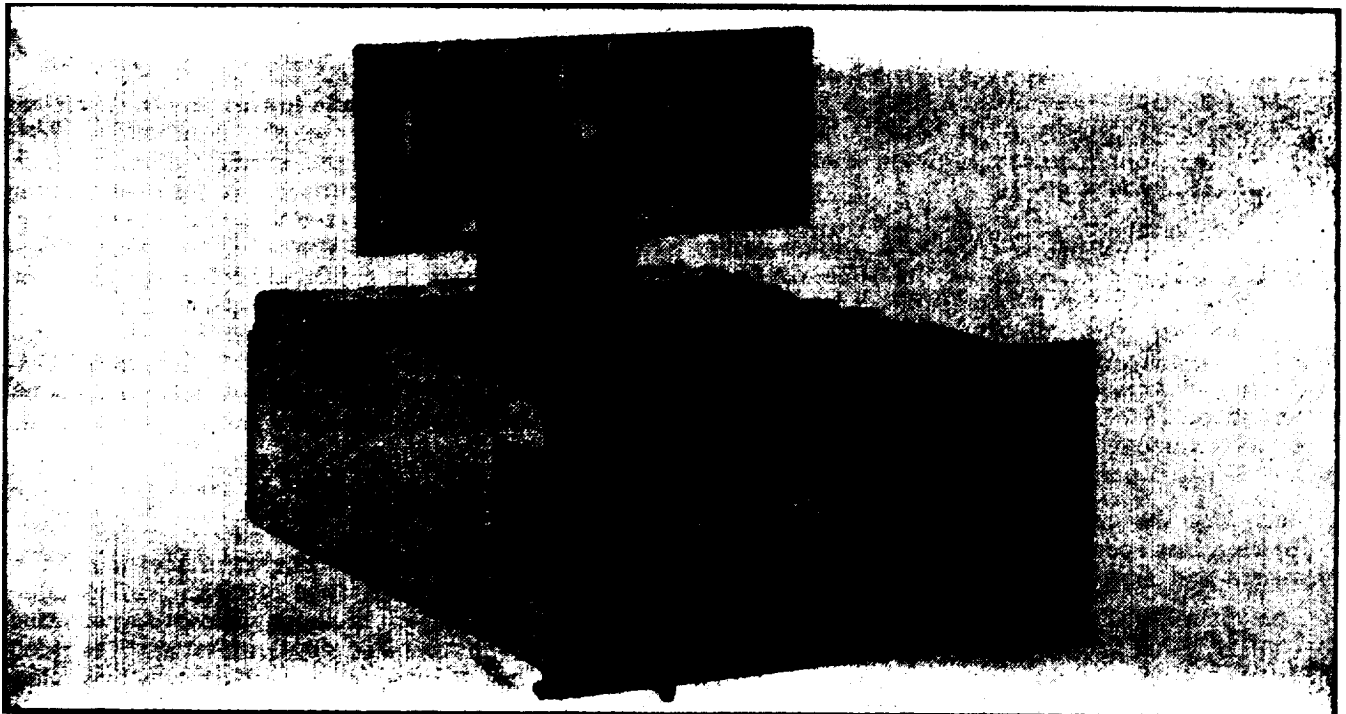


Figure 8-1. 8552B IF Section with Circuit Board Extended for Maintenance

8-10. ADJUSTMENTS

8-11. The procedures contained in these sections do not include calibration or adjustment. Service Sheets which contain adjustable components refer to procedures in the Performance and Adjustment Sections which should be performed after repairs are accomplished.

8-12. GENERAL PROCEDURES

8-13. The troubleshooting procedure is divided into two maintenance levels. The first, System Test and Troubleshooting Procedure, is designed to quickly isolate the cause of a malfunction to a circuit or assembly. The second provides circuit analysis and test procedures to aid in isolating faults to a defective component. Circuit descriptions and test procedures for the second maintenance level are located on the page facing the schematic diagram of the circuit to be repaired.

8-14. After the cause of a malfunction has been located and remedied in any circuit containing adjustable components, the applicable procedure specified in the Performance and Adjustment Section should be performed.

8-15. GENERAL SERVICE INFORMATION

8-16. Part Location Aids. The locations of chassis-mounted parts and major assemblies are shown in Figure 8-8. The locations of individual components mounted on printed circuit boards or other assemblies are shown on the appropriate schematic diagram page or on the page opposite it. The part reference designator is the assembly designator plus the part designator. (Example: A10R9 is R9 on the Log Reference Assembly A10). For specific component description and ordering information refer to **TM 11-6625-2781-24P-1**.

8-17. Factory Selected Components. Some component values are selected at the time of final checkout at the factory (see Table 5-4). Usually these values are not extremely critical; they are selected to provide optimum compatibility with associated components. These components are identified on individual schematics by an asterisk. The recommended procedure for replacing a factory-selected part is as follows:

- a. Try the original value, then perform the calibration test specified for the circuit in the performance and adjustment sections of this manual.
- b. If calibration cannot be accomplished, try the typical value shown in the parts list and repeat the test.
- c. If calibration still cannot be accomplished, perform the calibration test using various values until calibration is accomplished.

8-18. Modular Exchange Program. Circuit boards for the 8552B Spectrum Analyzer IF Section are available on an exchange basis at a considerable savings in cost. Simply contact the Hewlett-Packard office nearest you and make your requirements known. The local Hewlett-Packard office will arrange for immediate airmail shipment to minimize equipment downtime. At least 90% of the orders for exchange modules (circuit boards) received by an HP Field Sales office will be shipped the same day — either from the sales office itself or from service center.

8-19. An exchange module should be ordered by the “Exchange Assembly” part number listed under the assembly designation.

Upon receiving the exchange module, the faulty module should be returned in the same special carton in which the exchange module was received. A flow diagram of the Modular Exchange Program is shown in Figure 8-2.

8-20, System Test and Troubleshooting Procedure. Table 8-2 provides information that will, in most cases, isolate the causes of a malfunction to a circuit or assembly, RF Section, or Display Section. This procedure should be used in conjunction with the block diagrams and text located on Service Sheet 1. The test equipment required follows:

RF VoltmeterHP 3406A
Oscilloscope	HP 180A/1801A/1821A
Signal Generator	HP 608F
Service KitHP 11592A
Adapter	UG-201 A/U
Cable Assembly	HP 10503A

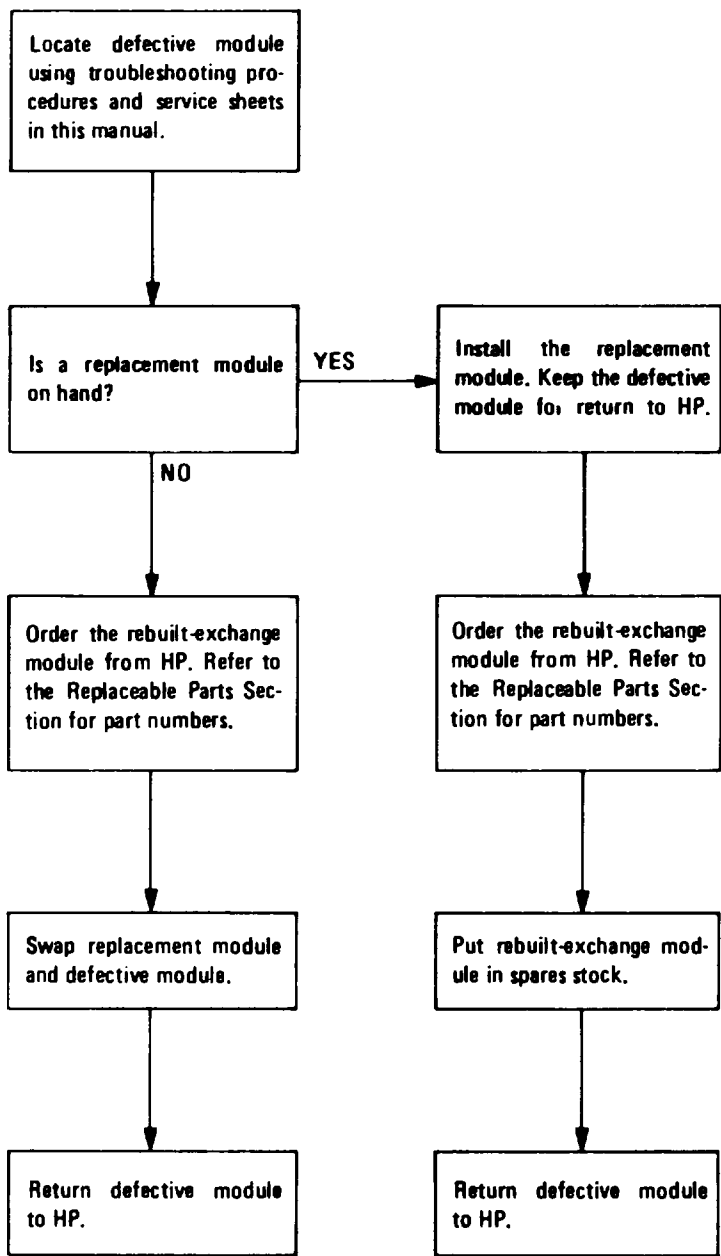
8-21. No attempt is made in this procedure to isolate causes of trouble to the component level. Reference is made to the specific Service Sheet which describes the circuits and test procedures for the portion of the analyzer to which the malfunction has been isolated. Where RF or Display Section maintenance is indicated, refer to the RF or Display Section Operating and Service manual.

8-22. Diagram Notes. Table 8-3, Schematic Diagram Notes, provides information relative to symbols and measurement units shown in schematic diagrams.

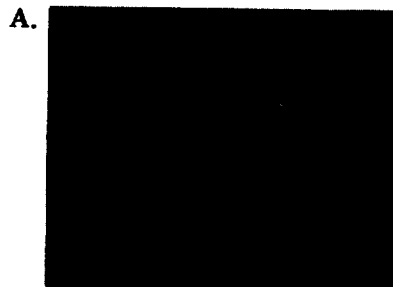
8-23. ETCHED CIRCUITS

8-24. The etched circuit boards in the 8552B are of the plated-through type consisting of metallic conductors bonded to both sides of insulating material. The metallic conductors are extended through the component mounting holes by a plating process. Soldering can be done from either side of the board with equally good results. Table 8-1 lists recommendations and precautions pertinent to

The module exchange program described here is a fast, efficient, economical method of keeping your Hewlett-Packard instrument in service.



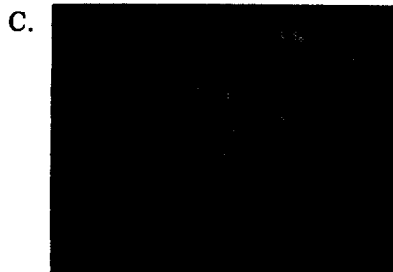
*HP pays postage on boxes mailed in U.S.A.



Rebuilt-exchange modules are shipped individually in boxes like this. In addition to the circuit module, the box contains:
Module repair report
Return Address label
Tape for resealing box



Open box carefully - it will be used to return defective module to HP. Complete repair report. Place it and defective module in box. Be sure to remove enclosed return address label.



Seal box with tape provided. Inside U.S.A., stick preprinted return address label over label already on box, and return box to HP. Outside U.S.A., do not use address label: instead, address box to the nearest HP office.

Figure 8-2. Diagram of Modular Exchange Program

etched circuit repair work.

a. Avoid unnecessary component substitution; it can result in damage to the circuit board and/or adjacent components.

b. Do not use a high-power soldering iron on etched circuit boards. Excessive heat may lift a conductor or damage the board.

c. Use a suction device (Table 8-1) or wooden toothpick to remove solder from component mounting holes. DO NOT USE A SHARP METAL OBJECT SUCH AS AN AWL OR TWIST DRILL FOR THIS PURPOSE. SHARP OBJECTS MAY DAMAGE THE PLATED-THROUGH CONDUCTOR.

d. After soldering, remove excess flux from the soldered areas and apply a protective coating to prevent contamination and corrosion. See Table 8-1 for recommendations.

S-25. Etched Conductor Repair, A broken or burned section of conductor can be repaired by bridging the damaged section with a length of tinned copper wire. Allow adequate overlap and remove any varnish from etched conductor before soldering wire into place.

8-26. COMPONENT REPLACEMENT.

a. Remove defective component from board.

NOTE

Axial lead components, such as resistors and tubular capacitors, can be replaced without unsoldering. Clip leads near body of defective component, remove component and straighten leads left in board. Wrap leads of replacement component one turn around original leads. Solder wrapped connection, and clip off excess lead.

Table 8-1. Etched Circuit Soldering Equipment

Item	Use	Specification	Item Recommended
Soldering tool	Soldering Unsoldering	Wattage rating: 47½ – 56½ Tip Temp: 850–900 degrees	Ungar #776 Handle with *Ungar #4037 Heating Unit
Soldering *Tip	Soldering Unsoldering	*Shape: pointed	*Ungar #PL111
De-soldering Aid	To remove molten solder from connection	Suction device	Soldapullit by Edsyn Co. Arleta, California
Resin (flux) Solvent	Remove excess flux from soldered area before application of protective coating	Must not dissolve etched circuit base board material or conductor bonding agent	Freon Acetone Lacquer Thinner
Solder	Component replacement Circuit board repair Wiring	Resin (flux) core, high tin content (60/40 tin/lead), 18 gauge (SWG) preferred	
Protective Coating	Contamination, corrosion protection	Good electrical insulation, corrosion-prevention properties	Silicone Resin such as GE DRI-FILM**88

*For working on 8552B Boards: for general purpose work, use Ungar No. 1237 Heating Unit (87.5W, tip temperature of 780–800 degrees) and Ungar No. PL111 1/8" chisel tip.

**General Electric Co., Silicone Products Dept., Waterford, New York, U.S.A.

Model 8552B

b. If component was unsoldered, remove solder from mounting holes, and position component as original was positioned. DO NOT FORCE LEADS INTO MOUNTING HOLES; sharp lead ends may damage plated-through conductor,

8-27. Transistor Replacement

8-28. Solid state transistors are in many physical forms. This sometimes results in confusion as to which lead is the collector, which is the emitter, and which is the base. Figures 8-3 and 8-4 show epoxy and metal case transistors and integrated circuits and the means of identifying the leads.

8-29. To replace a transistor, proceed as follows:

a. Do not apply excessive heat; see Table 8-1 for recommended soldering tools.

b. Use long-nose pliers between transistor and hot soldering iron as a heat sink, The instant

solder is melted, use pliers to pull lead free of board.

c. When installing replacement transistor, ensure sufficient lead length to dissipate soldering heat by using about the same length of exposed lead as used for original transistor.

d. Integrated circuit replacement instructions are the same as those for transistors.

8-30. Some transistors are mounted for good heat dissipation. This requires good thermal contact with mounting surfaces, To assure good thermal contact for a replacement transistor, coat both sides of the black insulator with Dow Corning No. 6 silicone compound or equivalent before fastening the transistor to the chassis, Dow Corning No. 5 compound is available in 8-oz. tubes from Hewlett Packard; order HP Part No. 8500-0059.

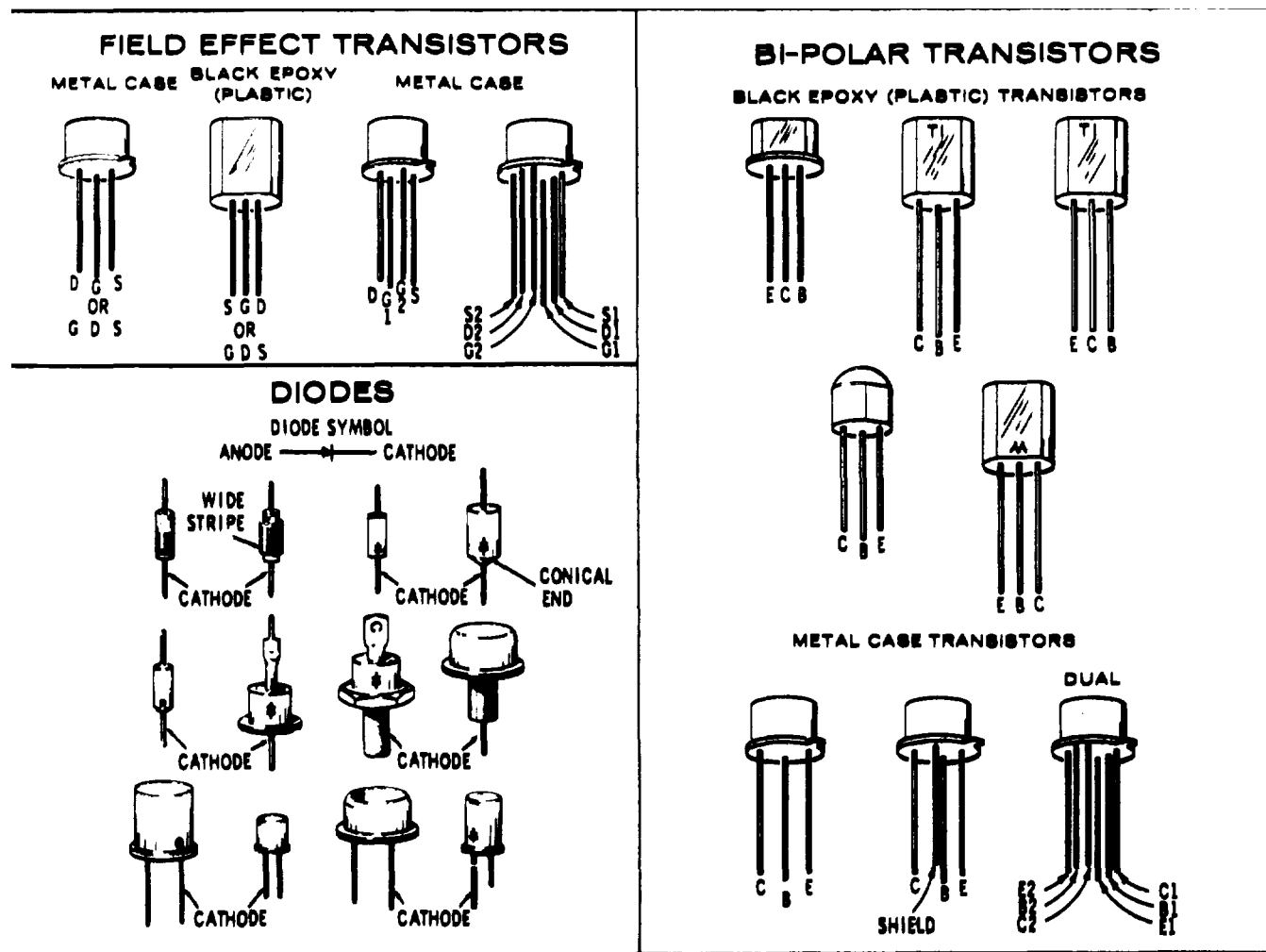


Figure 8-3. Examples of Diode and Transistor Marking Methods

8-31. Diode Replacement

8-32. Solid state diodes are in many physical forms. This sometimes results in confusion as to which lead or connection is for the cathode (negative) or anode (positive), since not all diodes are marked with the standard symbols. Figure 8-3 shows examples of some diode marking methods. If doubt exists as to polarity, an ohmmeter may be used to determine the proper connection. It is necessary to know the polarity of the ohms lead with respect to the common lead for the ohmmeter used. (For the HP Model 410B Vacuum Tube Voltmeter, the ohms lead is negative with respect to the common; for the HP Model 412A DC Vacuum Tube Voltmeter, the ohms lead is positive with respect to the common.) When the ohmmeter indicates the least diode resistance, the cathode of the diode is connected to the ohmmeter lead which is negative with respect to the other lead.

NOTE

Replacement instructions are the same as those listed for transistor replacement.

8-33. SWITCHING INFORMATION

8-34. The manner in which switch wafers are schematically presented in this manual is distinctly dif-

ferent from that used in previous Hewlett-Packard manuals. If the following information concerning the evolution of this system of switch presentation is carefully studied, it will be seen that circuits are more easily understood and much more easily traced.

8-35. One of the major objections to drawing switch wafer symbols as the wafer appears is that many lines must cross other lines on the schematics. This problem has not been completely eliminated by use of straight-line presentation, but it has been minimized and circuits are much easier to follow once the basic principles are understood.

8-36. Figure 8-5 illustrates the evolution of straight-line switch presentation from the pictorial view of a switch wafer. Part A shows the wafer as it actually appears. In parts B and C, when the wafer is viewed as being a flexible, stretchable material, the transition from wafer to straight-line presentation begins to be obvious. In part D the transition is complete and the wafer now appears to be a slide type switch. In part E the final result is shown. Note that those contacts which maintain contact with, the metallic portion of the rotor regardless of switch position (in the illustration contact 7) are moved to the other side for clarification. Note too that lead lines and arrows to switch contacts are no longer required.

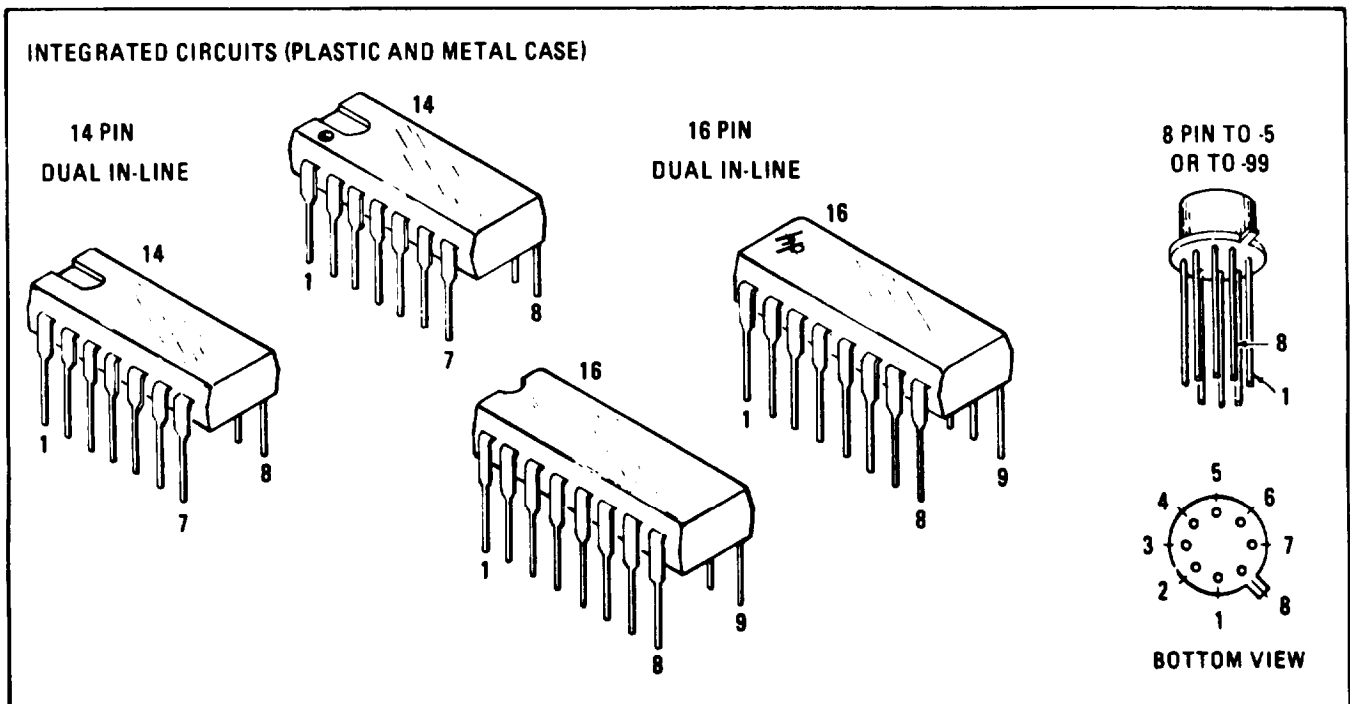


Figure 8-4. Integrated Circuit Packaging

8-37. In all schematics in this manual, the switches are shown in the maximum ccw position, unless otherwise noted. The physical layout of the switches are shown as well as a straight-line presentation of switch action. In Figure 8-6 note that the straight

line rotor contact moves from the bottom to the top when the switch moves one step in a cw direction, Figure 8-7 illustrates the difference between the old method of switch presentation and the straight line presentation.

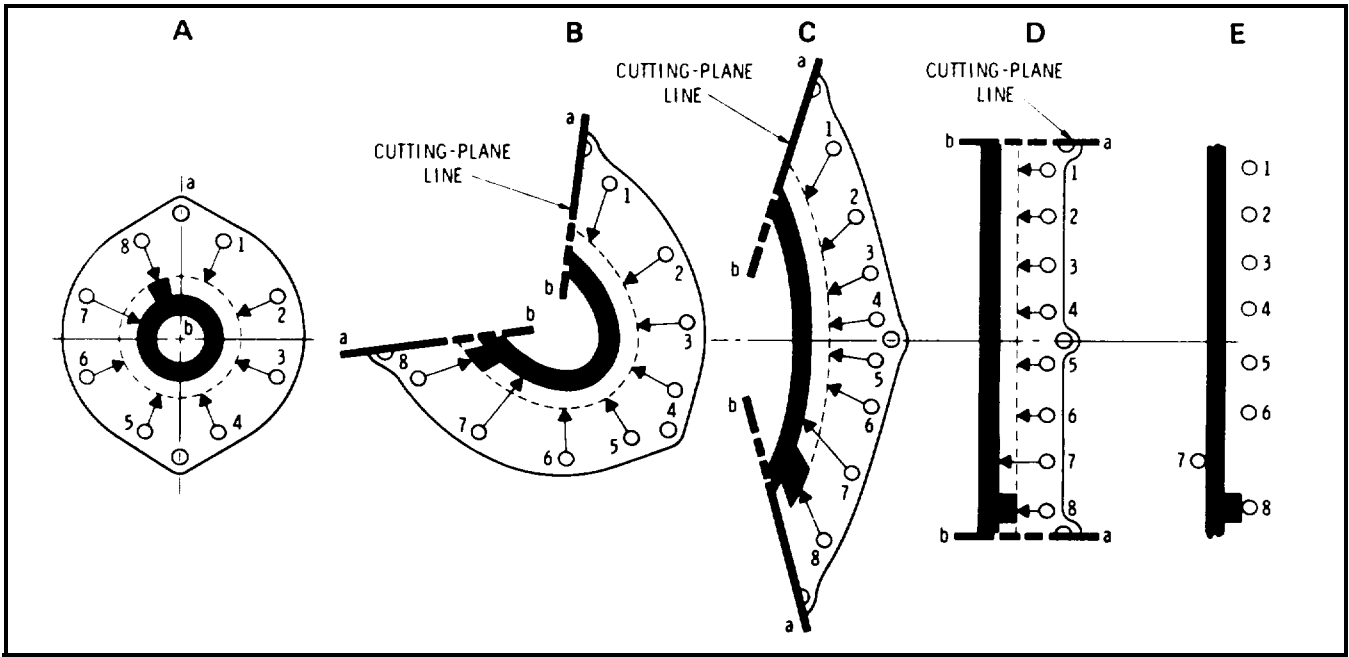


Figure 8-5. Evolution of Straight-Line Switch Presentation

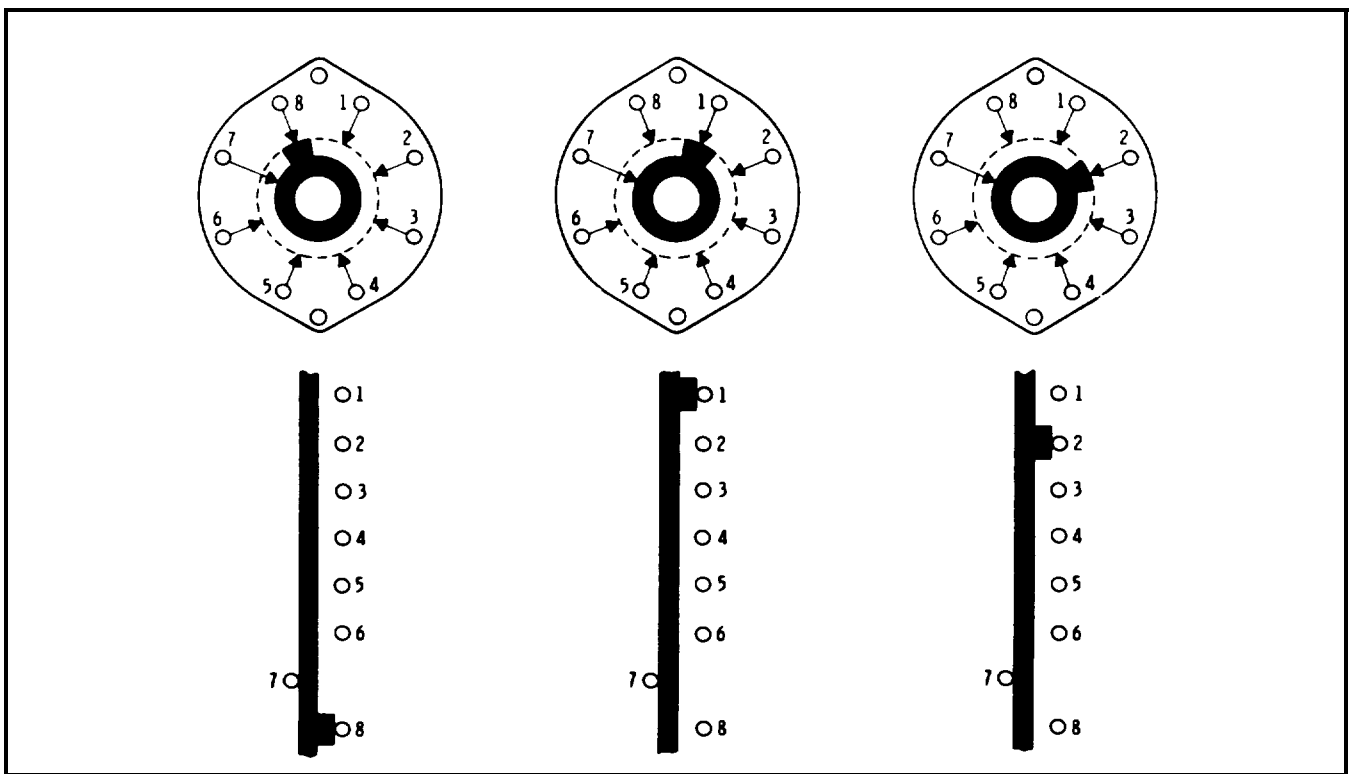


Figure 8-6. Three Positions of Typical Switch Wafers

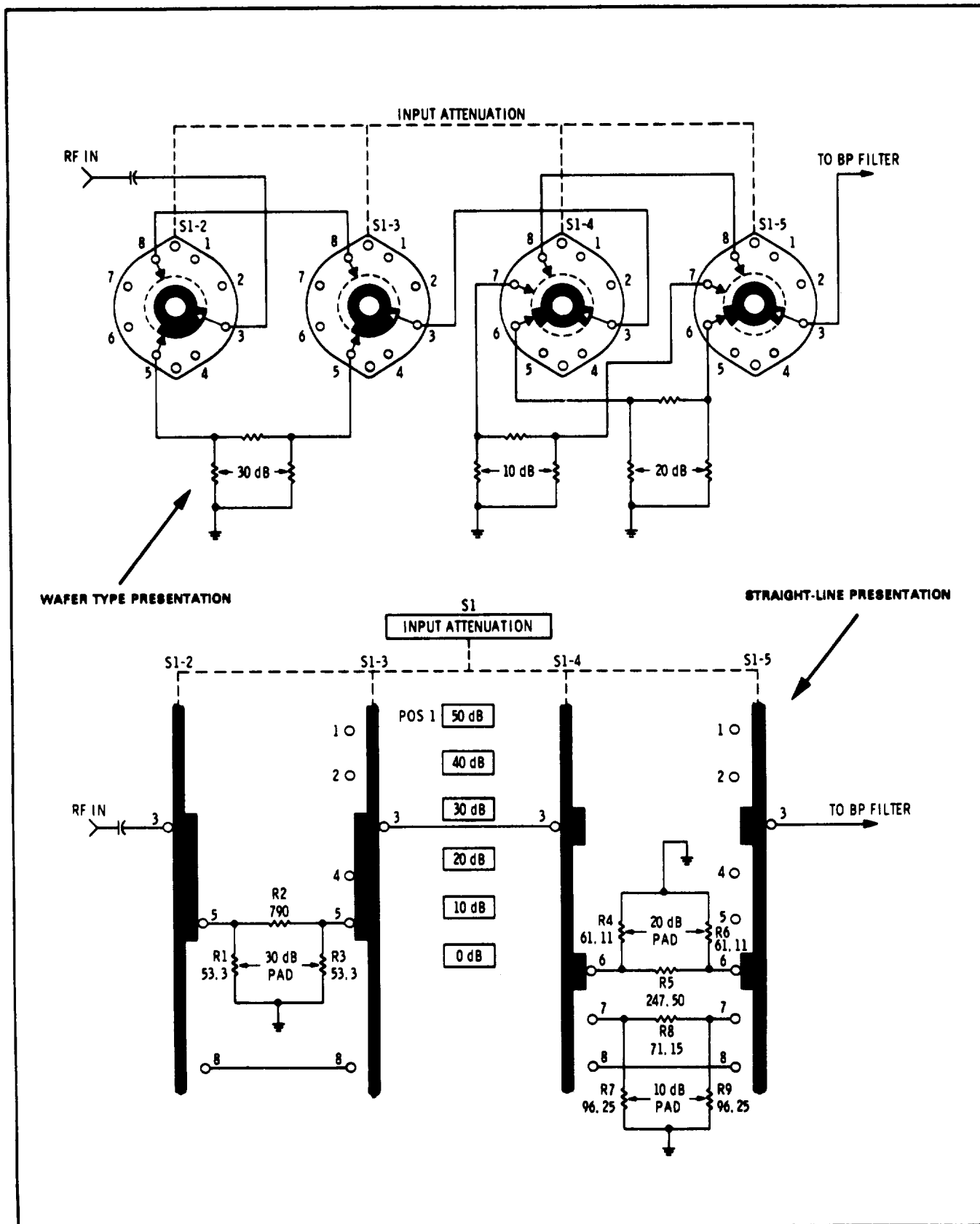


Figure 8-7. Wafer Switch Presentation Versus Straight-Line Presentation

Table 8-2. System Test and Troubleshooting Procedure

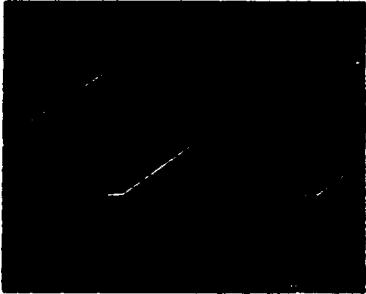
TEST	FAULT	PROCEDURE
1. Set POWER switch to ON. Power lamp on, fan operates. Proceed to test 2.	Light not on and/or fan inoperative	Check Display Section
2. Rotate INPUT ATTENUATION control and observe LOG REF LEVEL index lights. Lights operate properly. Proceed to test 3.	None of the lights illuminate Some but not all lights illuminate	Check the -12.6 volt supply from Display Section, If voltage is present see Service Sheet 18. If voltage is not present, check the Display Section power supply. Check light bulbs on Service Sheet 18.
3. Set Analyzer controls as follows: SCAN TIME PER DIVISION . 5 ms SCAN MODE. INT SCAN TRIGGER AUTO and observe SCANNING light. Light operates normally. Proceed to test 4, 4. Adjust Display Section for a baseline trace. Baseline trace is normal, Proceed to test 5	SCANNING light does not illuminate Trace does not appear	Check power supply circuits on Service Sheet 19. If the power supply circuits are operating properly, proceed to test 4. Connect the oscilloscope to the SCAN IN/OUT jack on the front panel of the analyzer and observe the waveform.  Oscilloscope control settings: 0.2 V/Div 10 msec/Div 10:1 probe If the waveform is not present, check the scan amplifier and the scan generator (Service Sheets 15 and 16). If the waveform is present, check the horizontal deflection amplifier, Service Sheet 14. If trouble persists, check Display Section.

Table 8-2. System Test and Troubleshooting Procedure (cont'd)

TEST	FAULT	PROCEDURE
<p>5. Set analyzer controls as follows: FREQUENCY30 MHz BANDWIDTH 10 kHz FINE TUNE Centered SCAN WIDTH PER DIVISION SCAN WIDTH PER DIVISION 1 MHz INPUT ATTENUATION 10 dB TUNING STABILIZER On BASE LINE CLIPPER ccw LOG REF LEVEL 0 dBm LOG REF LEVEL Vernier ccw LOG-LINEAR 10 dB LOG VIDEO FILTER OFF SCAN TIME PER DIVISION 2 MILLISECONDS</p> <p>Connect CAL OUTPUT to RF INPUT and observe display. The 30 MHz signal should appear close to the center of the display CRT at a level of -30 dBm. If signal is correct, proceed to test 8.</p>	<p>Signal does not appear on Display Section CRT</p> <p>Signal appears but sweeps back and forth about ± 1 Div on CRT.</p>	<p>Connect the RF voltmeter to CAL OUTPUT jack. The voltmeter should indicate approximately -30 dBm. If the signal is not present refer to Service Sheet 17. Repair the calibration oscillator and repeat the test. If CAL OUTPUT is present proceed to test 6.</p> <p>Refer to Service Sheet 4 and check the 47 MHz APC and the 2 MHz VTO circuits.</p>
<p>6. Set analyzer controls as follows: BANDWIDTH 10 kHz FINE TUNE Centered SCAN WIDTH PER DIVISION SCAN WIDTH PER DIVISION 20 kHz INPUT ATTENUATION 0 dB TUNING STABILIZER OFF BASELINE CLIPPER ccw LOG REF LEVEL -30 dBm LOG REF LEVEL Vernier LOG-LINEAR 10dB LOG VIDEO FILTER OFF SCAN TIME PER DIVISION 2 MILLISECONDS</p> <p>Connect a 50 MHz -33 dBm signal from the signal generator to J6 on the top of the 8552B using the 11592-60001 cable. Tune the signal generator slightly around 50 MHz until the signal is centered. With AMPL CAL centered the signal should read -30 dBm ± 2 dBm.</p>	<p>If signal is correct</p> <p>Signal is missing</p>	<p>IF Section operating correctly. Trouble in RF Section. See Systems Test and Troubleshooting Procedure in RF Section Manual.</p> <p>Proceed to test 7</p>
<p style="text-align: center;">NOTE</p> <p>For steps 7a through 7g connect CAL OUTPUT to RF INPUT and set the analyzer controls as specified in step 6.</p>		

Table 8-2. System Test and Troubleshooting Procedure (cont'd)

TEST	FAULT	PROCEDURE
7. Perform the following sub-tests until a malfunction has been found and corrected, then repeat test.		
7a. Connect the RF voltmeter to terminal labeled 3 MHz (C4) on the top of the 8552B. Tune frequency for maximum signal around 30 MHz. Signal should be about 8 mV rms. If signal is correct, proceed to test 7b.	Signal is missing or incorrect	Refer to Service Sheet 3 and repair the 50 MHz Converter.
7b. Connect the RF voltmeter to the 3 MHz terminal (C4), peak FREQUENCY, then set SCAN TIME PER DIVISION to 1 SECOND. Meter should fluctuate with peaks at about 8 mV rms. If signal is correct set SCAN TIME PER DIVISION to 2 MILLISECONDS and proceed to test 7c.	Meter does not fluctuate	Refer to Service Sheet 4 and check the 47 MHz APC and the 2 MHz VTO circuits. If trouble persists, check the 2 MHz Shaping circuits (Service Sheet 5).
7c. Set SCAN WIDTH to ZERO, connect the RF voltmeter to XA2 pin 14 and tune FREQUENCY for maximum. Signal level should be about 38 mV rms. Rotate AMPL CAL and LOG REF vernier cw; signal should increase. If signal is correct, re-center AMPL CAL, set vernier ccw and proceed to test 7d.	Signal is missing or incorrect	Refer to Service Sheets 6 and 7 and repair the 3 MHz Amplifier.
7d. Connect the RF voltmeter to XA1 pin 2 and tune FREQUENCY and FINE TUNE for maximum. Signal level should be about 230 mV rms. If signal is correct, proceed to test 7e.	Signal is missing or incorrect	Refer to Service Sheet 8 and repair the LC Filter.
7e. Connect the RF voltmeter to XA4 pin 14 and tune FREQUENCY and FINE TUNE for maximum. Signal should be about 930 mV rms. Set BANDWIDTH to 3 kHz and peak signal with FINE TUNE. Signal should remain about the same. If signal is correct, proceed to test 7f.	Signal is missing or incorrect	Refer to Service Sheets 10 and 11 and repair the Crystal Filter.

Table 8-2. System Test and Troubleshooting Procedure (cont'd)

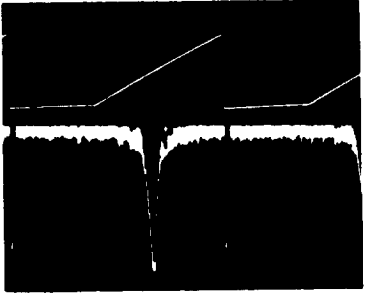
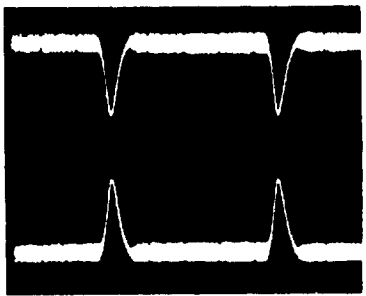
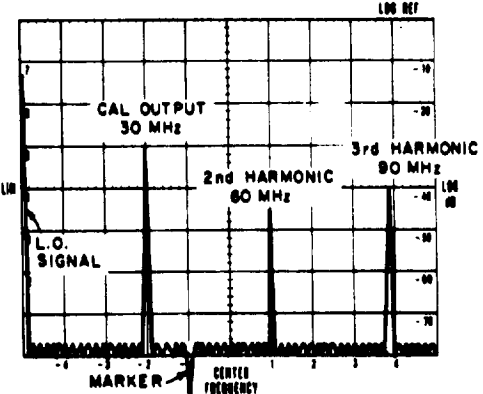
TEST	FAULT	PROCEDURE
<p>7f. Set SCAN WIDTH to PER DIVISION and connect oscilloscope channel A probe to SCAN IN/OUT jack and the channel B probe to XA7, pin B. Oscilloscope control settings: Time/Div0.5 msec/div Channel A 0.5 V/div Channel B02 V/div 10:1 probes If waveform is correct, proceed to test 7g.</p>	<p>Waveform B is missing or incorrect</p>	<p>Refer to Service Sheet 12 and 13 and repair the Log • Linear Amplifier circuits.</p> 
<p>7g. Connect the oscilloscope channel A input to XA7 pin 6 and the channel B input to XA7 pin E with analyzer set as in 7f.</p> <p>Oscilloscope control settings: VOLTS/DIV 2V/Div TIME/DIV 2 msec/Div 10:1 probes</p> <p>If waveform is correct, trouble is in the Display Section or in interconnecting wiring. After making repairs, repeat test 5.</p>	<p>Either waveform is missing or incorrect</p>	<p>Refer to Service Sheet 14 and repair the vertical deflection circuit.</p> 
<p>8. Set analyzer controls as follows: FREQUENCY 40 MHz FINE TUNE Centered BANDWIDTH 300 kHz SCAN WIDTH 0-100 MHz SCAN WIDTH PER DIVISION 10 MHz INPUT ATTENUATION 10 dB RANGE - MHz 0-110 TUNING STABILIZER On BASE LINE CLIPPER ccw SCAN TIME PER DIVISION . . . 2 MILLISECONDS LOG REF LEVEL -10 dBm LOG REF LEVEL Vernier 0 LOG-LINEAR 10 dB VIDEO FILTER OFF SCAN MODE INT SCAN TRIGGER AUTO</p> <p>Connect CAL OUTPUT to RF INPUT using a BNC to BNC cable. The display should be similar to that shown in the procedure column.</p>	<p>Sweep does not extend to full width of graticule</p> <p>Not all signals present or properly spaced</p>	 <p><i>30 MHz Calibrator Signal & Harmonics</i></p> <p>See Service Sheet 14. Check Scan Generator assembly.</p> <p>Same as above. Also refer to System Test and Troubleshooting Procedure in RF Section Manual,</p>

Table 8-2. System Test and Troubleshooting Procedure (cont'd)

TEST	FAULT	PROCEDURE
<p>Test 8 (cont'd)</p> <p>Vary VERTICAL position to center baseline trace on bottom CRT graticule. Signal amplitude is unimportant in this test. Proceed to test 9.</p>	<p>Baseline trace does not vary</p>	<p>See Service Sheet 14, Check vertical deflection circuit</p>
<p>9. Set LOG REF LEVEL maximum ccw. Set SCAN TIME PER DIVISION to 10 SECONDS and adjust focus and astigmatism. Adjust trace align to center trace on bottom CRT graticule. Proceed to test 10.</p>	<p>Focus and astigmatism inoperative or trace will not align</p>	<p>Refer to Display Section Manual and repair as required.</p>
<p>10. Turn FREQUENCY control and observe marker. Marker should move as FREQUENCY is tuned. Proceed to test 11.</p>	<p>Marker is missing</p>	<p>See System Test and Troubleshooting Procedure in RF Section Manual.</p>
<p>11. Tune FREQUENCY control to move the marker exactly under the signal three divisions from the left. The signal will null when the marker is tuned to the exact frequency of the signal. Set SCAN WIDTH PER DIVISION control to 0.05 MHz, BANDWIDTH to 10 kHz, and SCAN WIDTH to PER DIVISION. 30 MHz signal should appear close to the center graticule on the CRT. If correct signal is observed, proceed to test 12.</p>	<p>30 MHz signal does not appear on CRT</p>	<p>Check calibration and alignment of the analyzer.</p>
<p>12. Adjust FREQUENCY to center the 30 MHz signal on CRT, then reduce SCAN WIDTH PER DIVISION to 10 kHz and recenter the display with FINE TUNE control. Signal centers properly. Proceed to test 13.</p>	<p>Signal is unstable, FINE TUNE does not vary signal position</p>	<p>Refer to System Test and Troubleshooting Procedure in RF Section manual, See Service Sheet 5. Check 2 MHz VTO Shaping Circuit,</p>
<p>13. Turn LOG REF LEVEL fully ccw. Top of signal should be -70 dB graticule. Rotate LOG REF LEVEL seven steps cw. CRT display should be as shown in the figure. The fault column lists these steps in numerical order beginning with the first step from the ccw position.</p>	<p>Each of the first 4 steps: no increase in gain, not 10 dB gain or loss of signal,</p>	<p>See Service Sheet 11.</p>

Table 8-2. System Test and Troubleshooting Procedure (cont'd)

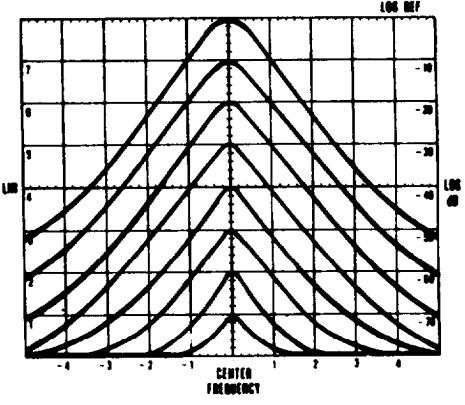
TEST	FAULT	PROCEDURE
<p>13. (cont'd)</p> <p>Set INPUT ATTENUATION to 30 dB and rotate LOG REF LEVEL cw for remaining two steps. Signal amplitude should again reach the top CRT graticule.</p> <p>INPUT ATTENUATION to 10 dB, LOG REF LEVEL to 0 dBm. Rotate LOG REF LEVEL Vernier to full cw. Signal shown should increase by 12 dB. Proceed to test 14.</p>	<p>Steps 5 and 6 same as above</p> <p>Steps 7, 8 and 9 same as above</p> <p>All or most levels incorrect and cannot be corrected by adjustment.</p> <p>No change in signal level or change is incorrect.</p>	 <p>Check 3 MHz step gain amplifier, Service Sheets 8 and 9.</p> <p>Check 3 MHz step gain amplifier, Service Sheets 6 and 9.</p> <p>Check Lin/Log amplifier, Service Sheets 12, 13.</p> <p>Check variable gain amplifier, Service Sheet 7.</p>
<p>14. Set LOG REF LEVEL to -30 dBm (-30 +0). Adjust AMPL CAL so that the top of the signal is exactly on the LOG REF (TOP) graticule of the CRT. Proceed to test 15.</p>	<p>AMPL CAL does not vary signal level.</p>	<p>See Service Sheet 6. Check calibration amplifier.</p>
<p>15. Set LOG LINEAR to 2 dB LOG. Signal should remain at LOG REF graticule on CRT. Set LOG REF LEVEL to -20 dBm. Signal should drop to about -50 dB graticule on CRT. Proceed to step 16.</p>	<p>Either level incorrect</p>	<p>See Service Sheet 14. Check 2 dB Log Amplifier.</p>

Table 8-2. System Test and Troubleshooting Procedure (cont'd)

TEST	FAULT	PROCEDURE
<p>16. Set LOG-LINEAR to LINEAR and LINEAR SENSITIVITY to 1 m V/D IV. The CRT deflection should be adjusted by the AMPL CAL control to 7.1 divisions. If display is correct, proceed to test 17.</p>	<p>AMPL CAL cannot be adjusted for 7:1 division display.</p>	<p>See Service Sheets 12 and 13. Probable trouble is in linear amplifier compensation circuit or linear scale factor circuit.</p>
<p>17. Set analyzer controls as follows:</p> <p>SCAN WIDTH 0-100 MHz SCAN WIDTH PER DIVISION 10 MHz BANDWIDTH 10 kHz LOG - LINEAR10 dB LOG LOG REF LEVEL -10 dBm</p> <p>Turn BASE LINE CLIPPER full ccw.</p> <p>Switch SCAN TIME PER DIVISION through its range.</p> <p>Return SCAN TIME PER DIVISION to 2 MILLISECONDS.</p> <p>Set SCAN WIDTH to PER DIVISION.</p> <p>Set SCAN TIME PER DIVISION to 2 SECONDS, SCAN MODE to SINGLE and push the button; a dot should appear on the CRT display moving from left to right. Push the SINGLE scan button again; the dot should disappear.</p> <p>Set SCAN MODE to MAN and rotate the MANUAL SCAN knob. Knob should control the dot on the CRT.</p> <p>Set SCAN MODE to INT and SCAN TRIGGER to LINE, The scan circuits should trigger and sweep normally.</p>	<p>Bottom 2 divisions of CRT not blanked.</p> <p>Scan does not occur in all positions</p> <p>DISPLAY UNCAL does not illuminate</p> <p>Display incorrect</p> <p>Display incorrect</p> <p>No sweep on CRT.</p>	<p>See Service Sheets 14, 15, and 16.</p> <p>Check base line clipper circuit.</p> <p>Check scan generator circuit.</p> <p>Refer to System Test and Troubleshooting Procedure in RF Section Manual and Service Sheet 17. Probable cause of trouble is in the analogic circuit or switching circuits.</p> <p>Refer to Service Sheet 15 and repair the scan control flip-flop or S2.</p> <p>Refer to Service Sheet 16 and check the manual scan circuits.</p> <p>Refer to Service Sheet 15 and check the scan trigger circuits.</p>

SCHEMATIC DIAGRAM NOTES

Resistance in ohms, capacitance in picofarads, and inductance in microhenries unless otherwise noted.

P/O = part of.

*Asterisk denotes a factory-selected value. Value shown is typical. Capacitors may be omitted or resistors jumped.












	Screwdriver adjustment.		Panel control.
	Encloses front panel designations.		Encloses rear panel designation.
	Circuit assembly borderline.		
	Other assembly borderline.		
	Heavy line with arrows indicates path and direction of main signal.		
	Heavy dashed line with arrows indicates path and direction of main feedback.		
	Wiper moves toward CW with clockwise rotation of control as viewed from shaft or knob.		
	Numbers in star-on circuit assemblies show locations of test points.		
	Encloses wire color code. Code used (MIL-STD681) is the same as the resistor color code. First number identifies the base color, second number the wider stripe, and the third number identifies the narrower stripe. E.g., 947 denotes white base, yellow wide stripe, violet narrow stripe.		

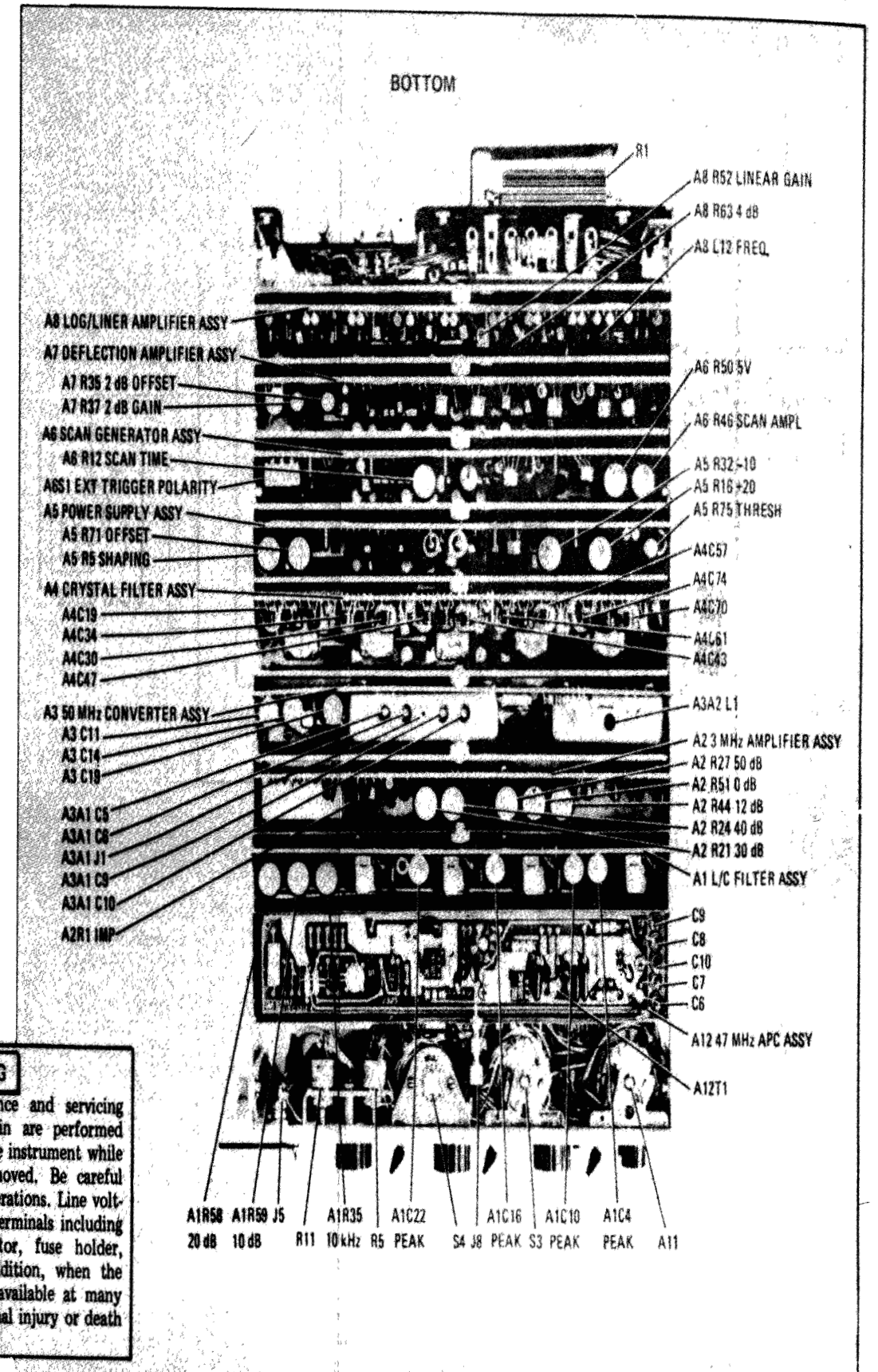
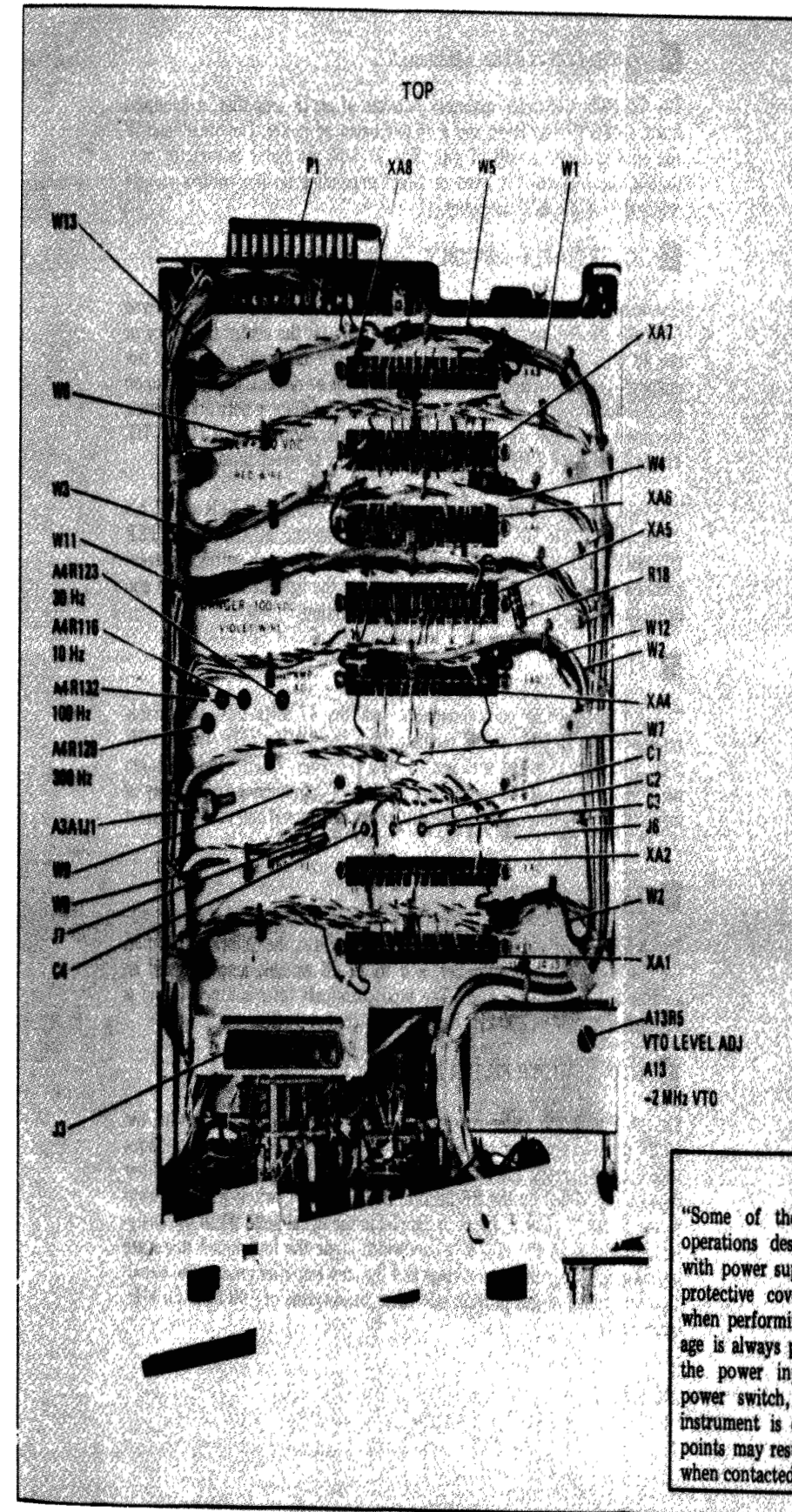
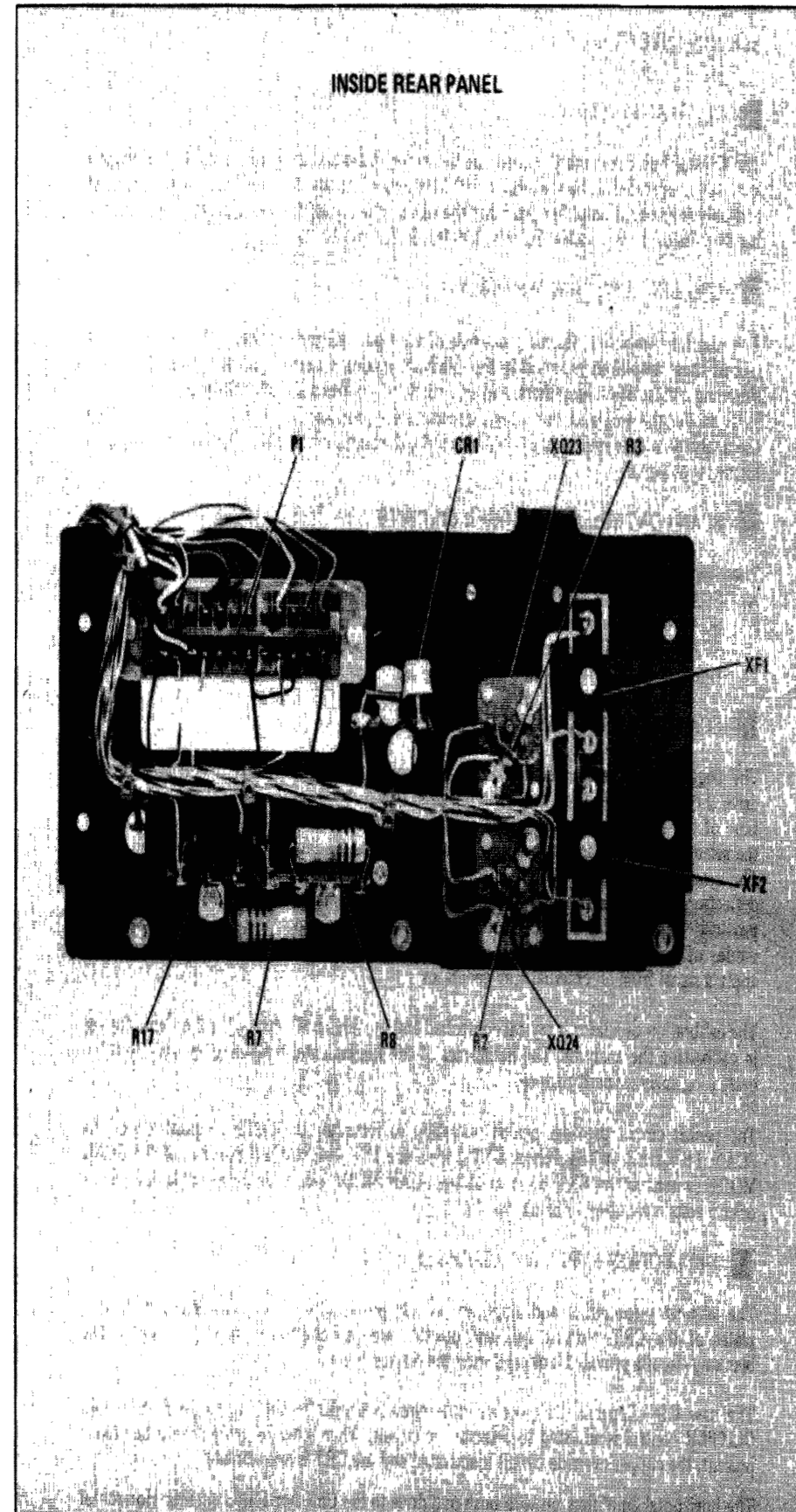
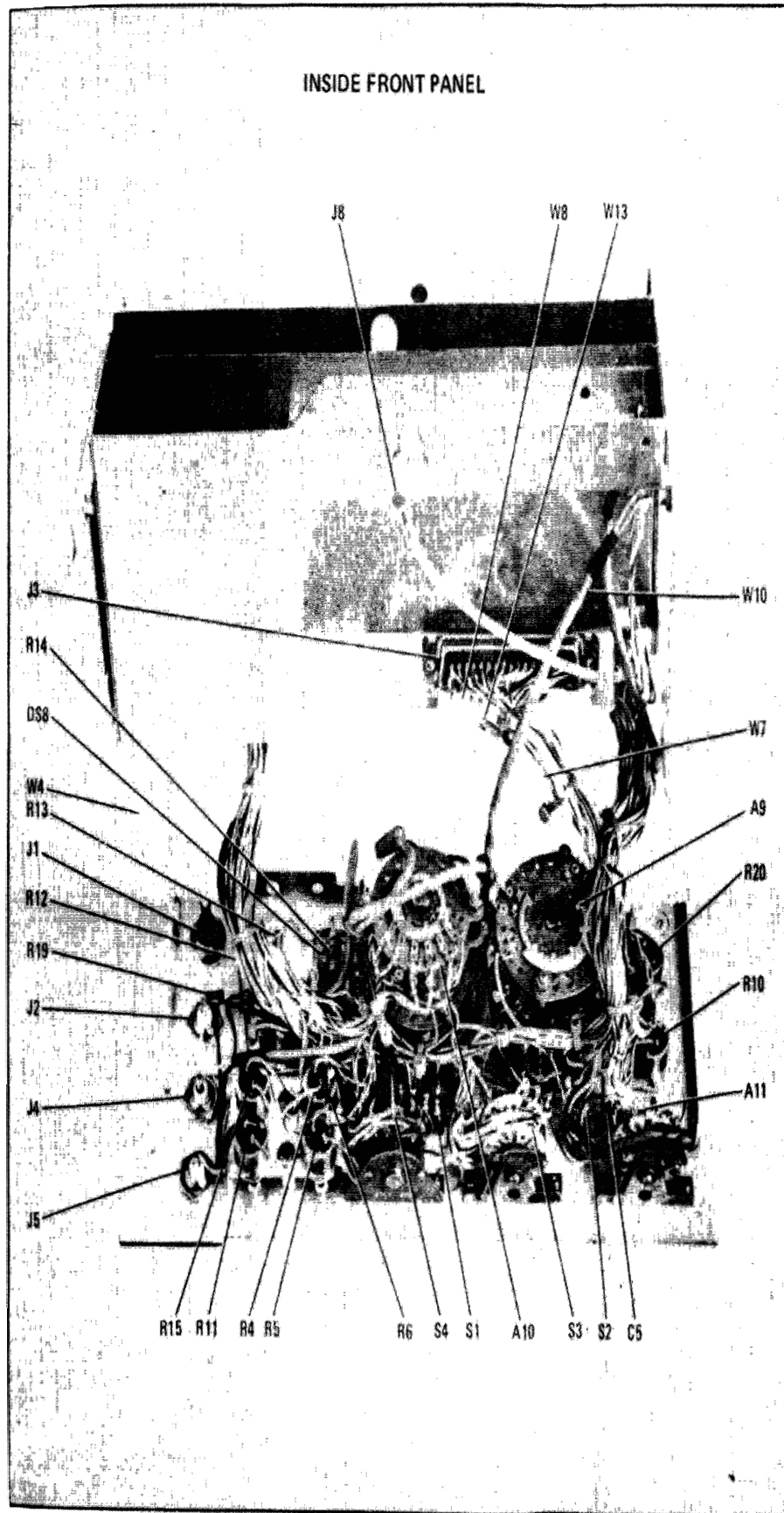
Table 8-3. Schematic Diagram Notes

Table 8.4. IF Section Assembly and Component Location

Assembly	Service Sheet	Photo
A1 LC Filter	8	Figure 8-28
A2 3 MHz Amplifier	6, 7	Figure 8-24,8-26
A3 50 MHz Converts	3	Figure 8-17
A4 Crystal Filter	10,11	Figure 8-31, 8-33
A6 Power Supply	6,17,19	Figure 8-22,8-46,8-50
A6 Scan Generator	15,16,18	Figure 8-42,8-44,8-47
A7 Deflection Amplifier	14	Figure 8-40
A8 Log Amplifier	12, 13	Figure 8-36, 8-38
A9 Scan Time Switch	5, 15, 17	Figure 8-13
A10 Log Ref Level	6, 9, 11, 13, 18	Figure 8-12
A11 Video Filter Switch	13,17	Figure 8-11
A12 47 MHz APC	4	Figure 8-19
A13 2 MHz VTO	4	Figure 8-20
Component	Service Sheet	Photo/Location
C1-4	3	Chassis Top
C5	15	Front Panel
C 6 - 1 0	4	Chassis Bottom
CR1	17	Rear Panel
DS1-6 LOG REF Index Lights	18	Front Panel
DS7 X	13	Front Panel
DS8 +	13	Front Panel
DS 9 SCANNING	15	Front Panel
F1, 2	17	Rear Panel
J1 CAL OUTPUT	18	Front Panel
J2 PEN LIFT OUTPUT	14,15,16	Front Panel
J3 IF Section/RF Section	1, 3, 5, 6, 8, 9, 14, 16	Chassis Top
	17,18,19	
J4 VERTICAL OUTPUT	14	Front Panel
J5 SCAN IN/OUT	16	Front Panel
J6 50 MHz input	3	Chassis Top
J7 47 MHz output	3	Chassis Top
J8	4	Chassis Bottom
L1-4	3	On XA 3
P1 IF Section/Display Section	2, 14, 17, 19	Rear Panel
Q23, 24	19	Rear Panel
R1 - R3	19	Rear Panel
R4 HORIZONTAL POSITION	14	Front Panel
R5 HORIZONTAL GAIN	16	Front Panel

Table 8-4. IF Section Assembly and Component Location (cont'd)

Component	Service Sheet	Photo/Location
R6	14,16	Front Panel
R7, 8	14	Rear Panel
R9	15	Front Panel
R10 BASE LINE CLIPPER	14	Front Panel
R11 VERTICAL GAIN	14	Front Panel
R12 Vernier	7	Front Panel
R13, 14	13	Front Panel
R15 VERTICAL POSITION	14	Front Panel
R16	13	Front Panel
R17	12	Rear Panel
R18	19	Chassis Top
R19	14,15,16	Front Panel
R20 MANUAL SCAN	16	Front Panel
S1 LOG-LINEAR	13, 14	Front Panel
S2 SINGLE SCAN	15	Front Panel
S3 SCAN MODE	15, 16, 17	Front Panel
S4 SCAN TRIGGER	15,16	Front Panel
W1 Green	11,12	Figure 8-8
W2 Blue, shielded	11	Figure 8-8
W3 Horiz Output	14	Figure 8-8
W4 Cal output	18	Figure 8-8
W5 Orange	13	Figure 8-8
W6 Vert Output	14	Figure 8-8
W7 50 MHz Input	3	Figure 8-8
W8 47 MHz Output	3	Figure 8-8
W9 47 MHz APC	3, 4	Figure 8-8
W10 Blue, Twisted Pair	4, 5	Figure 8-8
W11 Blue, Shielded Pair	4, 5	Figure 8-8
W12 Red	8, 10	Figure 8-8



WARNING

"Some of the maintenance and servicing operations described herein are performed with power supplied to the instrument while protective covers are removed. Be careful when performing these operations. Line voltage is always present on terminals including the power input connector, fuse holder, power switch, etc. In addition, when the instrument is on, energy available at many points may result in personal injury or death when contacted."

Figure 8-8. 8552B Component, Assembly, and Adjustment Locations

SERVICE SHEET 1

1 50 MHz CONVERTER ASSEMBLY

The 50 MHz Converter assembly consists of an IF amplifier, a bandpass filter, a 47 MHz oscillator, and a double balanced mixer. The broadband IF amplifier provides 10 dB of gain. The 47 MHz oscillator is varactor controlled, the frequency is fixed or swept depending on the control voltage received from the APC Assembly.

2 POWER SUPPLY ASSEMBLY

The summing and offset amplifiers combine dc levels and a ramp received from the RF Section (The dc levels eventually set the center frequency of the 47 MHz VTO — the ramp will sweep it symmetrically about that frequency). The RF Section inputs may or may not be present, depending upon the RF Section used and its switch positions. The shaping network converts the linear input into an exponential ramp which controls the 2 MHz VTO. This will cause the 2 MHz VTO output frequency to sweep linearly.

The light driver is controlled by the IF Section VIDEO FILTER and SCAN TIME PER DIVISION switches, and the RF Section SCAN WIDTH PER DIVISION and BANDWIDTH switches. When the switch settings prevent accurate amplitude calibration of the analyzer the light driver turns on and lights the DISPLAY UNCAL lamp in the RF Section.

3 47 MHz APC

The automatic phase control circuits lock the 47 MHz VTO to a stable reference — the 45 MHz crystal oscillator plus the 2 MHz VTO. The 47 MHz VTO frequency is mixed with the 45 MHz reference, filtered and the nominal 2 MHz result is compared to the 2 MHz VTO frequency (which may or may not be sweeping). Any phase difference is detected and used to correct the 47 MHz VTO.

4 3 MHz IF AMPLIFIER

The 3 MHz IF Amplifier consists of a bandpass filter, the calibrate amplifier, the 30/40/50 dB step amplifier, a 0 to 12 dB variable amplifier and an emitter follower output stage. The input bandpass filter is tuneable and is adjusted to provide a 300 kHz bandpass centered at 3 MHz.

5 LC BANDWIDTH FILTER ASSEMBLY

The LC Bandwidth Filter Assembly contains four tuned filter circuits, the 10/20 dB step amplifier and an output circuit to provide a low impedance source to the crystal filter input circuit. The bandwidth of individual filter stages is controlled by the RF Section BANDWIDTH switch which forward biases diodes to place resistors in parallel in the signal path. When the analyzer is operated in the 300 kHz bandwidth mode the four tuned stages are bypassed and only the output stage and the step amplifier process the signal. The four tuned stages provide selectable bandwidths of 100 kHz, 30 kHz, and 10 kHz.

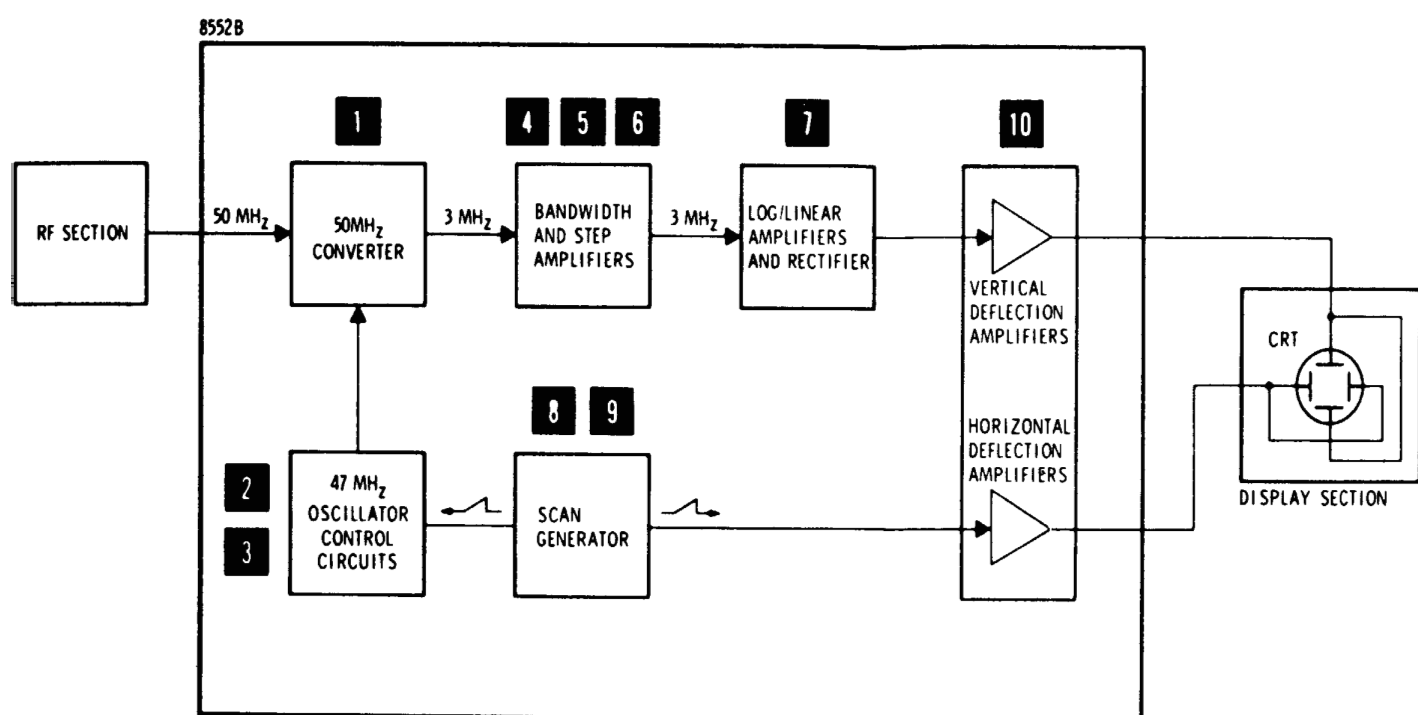


Figure 8-9. Simplified Block Diagram

SERVICE SHEET 1 (cont'd)

6 CRYSTAL FILTER ASSEMBLY

The Crystal Filter Assembly consists of five filter stages and an output amplifier. When the analyzer is operated at bandwidths of 10 kHz or greater, the five filter stages are bypassed and only the output amplifier processes the signal. The crystal filter stages provide selectable bandwidths of 3 kHz, 1 kHz, 300 Hz, 100 Hz, 30 Hz and 10 Hz.

7 LOG/LIN AMPLIFIER ASSEMBLY

The Log/Lin Amplifier Assembly consists of an input emitter follower, eight log amplifiers (six of these amplifiers are used in the LINEAR mode), a linear scale factor amplifier, two summing and isolation amplifiers, and a linear detector. When the analyzer is operated in the LOG mode, the amplifier output is logarithmically proportional to the input signal. When the analyzer is operated in the LINEAR mode, the amplifier output is directly proportional to the input signal.

8 SCAN CONTROL AND TRIGGER CIRCUITS

These circuits control the operation of the analyzer's scan.

- A SCAN TIME PER DIVISION selects internal scan time
- B SCAN MODE selects scan source — internal, external, manual or single
- C SCAN TRIGGER selects internal scan trigger source — automatic, external, line, or video

9 SCAN GENERATOR ASSEMBLY

The trigger circuit is enabled by -12.6 volts from the control circuits. The trigger circuits drive the flip flop. The scan time switch is used to select RC components to control the scan time of the scan generator circuits. A constant current source provides the current to charge the selected ramp capacitor to ensure that scan ramps are linear for all selected scan times. The scan ramp amplifier amplifies the input scan signal and applies it to the horizontal deflection amplifier and the RF Section scan width attenuator assembly. An output is also provided at the SCAN IN/OUT connector, on the front panel, in the INT and SINGLE modes of operation. The connector may also be used in the EXT mode of operation to apply a signal from an external scan generator.

The calibration oscillator is crystal controlled and provides a 30 MHz, 30 dBm signal for use in calibrating the analyzer. The harmonics of the fundamental frequency are also useful in evaluating analyzer performance.

The penlift circuit provides penlift operation to recording devices in all positions of the SCAN TRIGGER switch except EXT and in the INT and SINGLE position of the SCAN MODE switch. In the EXT position of the SCAN MODE switch an external blanking input of 1.5 volts is required to blank the CRT.

10 DEFLECTION AMPLIFIER ASSEMBLY

The vertical preamplifier and amplifier provide push pull drive to the vertical deflection plates of the CRT. Vertical gain and position are also controlled by these circuits. The blanking circuits provide blanking during the retrace cycle.

The base line clipper and clipper override circuits blank the CRT when the BASE LINE CLIPPER control is adjusted to activate the circuit. When a marker from the RF Section is present, the clipper override circuit is activated and the CRT is not blanked.

The horizontal amplifiers provide push pull drive to the CRT horizontal circuits. Horizontal gain and position are also controlled by these circuits.

Table 8-5. Gain Changes When LOG REF LEVEL Switch is Adjusted

LOG REF LEVEL Switch Positions	3 MHz Amp Assy Gain * (dB)	LC Filter Assy Gain (dB)	Crystal Filter Assy Gain	LOG REF LEVEL Assy Atten (dB)
-60	30	20	0	0
-50	20	20	0	0
-40	10	20	0	0
-30	0	20	0	0
-20	0	10	0	0
-10	0	0	0	0
0	0	0	0	-10
10	0	0	0	-20
	0	0	0	-30
	0	0	0	-40

Total IF system gain (-10 dB) into LOG AMPLIFIER

*Individual 3 MHz IF assembly gains resulting in a constant IF system gain (-10 dB) into LOG AMPLIFIER when LOG REF LEVEL switch is in logarithmic display positions

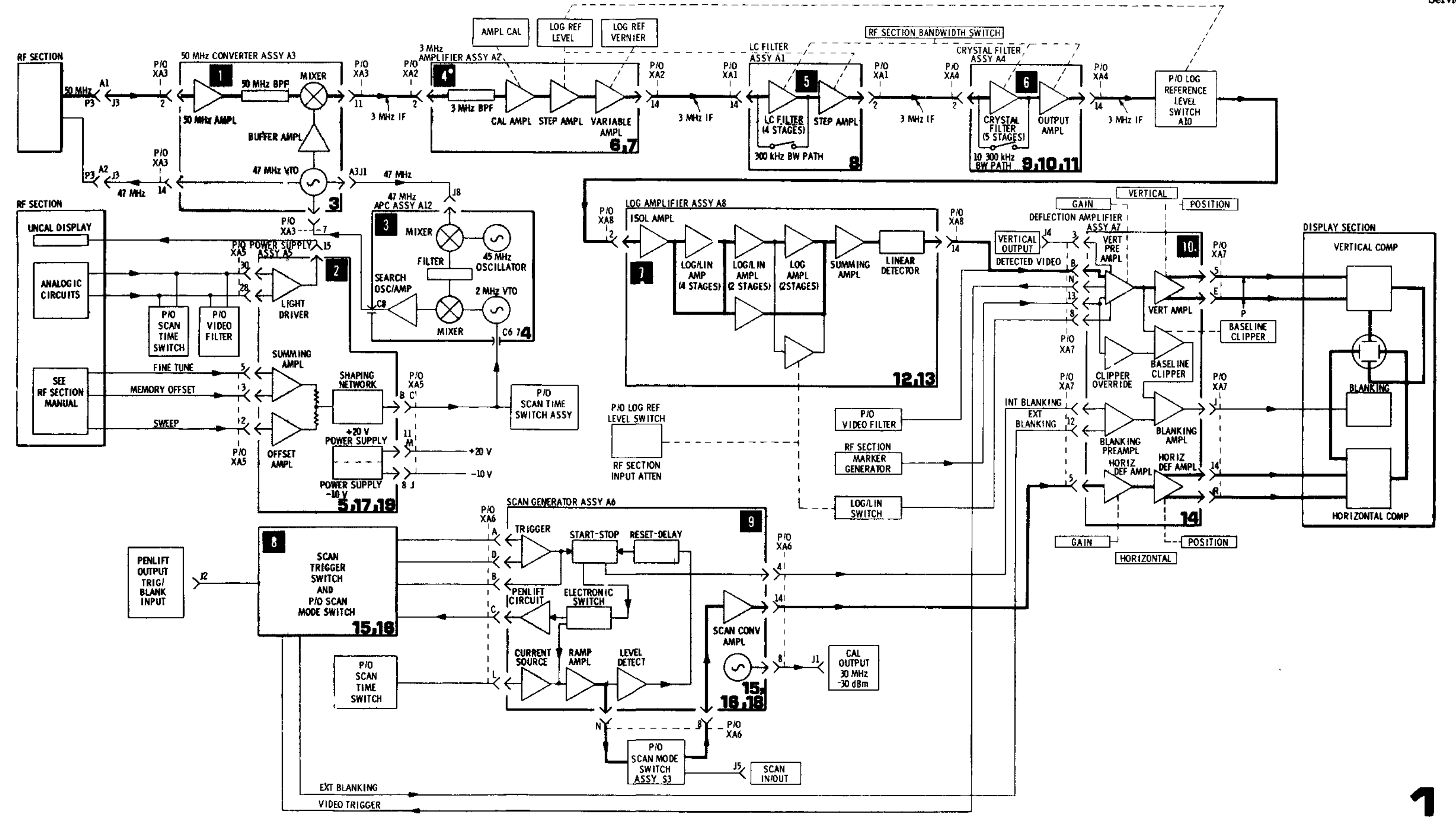


Figure 8-10. 8552B Block Diagram

SERVICE SHEET 2

VIDEO FILTER ASSEMBLY A11

The video filter switch may be used to place any one of three bypass capacitors across the detected output. When a filter is used the reduced video bandwidth is computed in the DISPLAY UNCAL analogic summing buss.

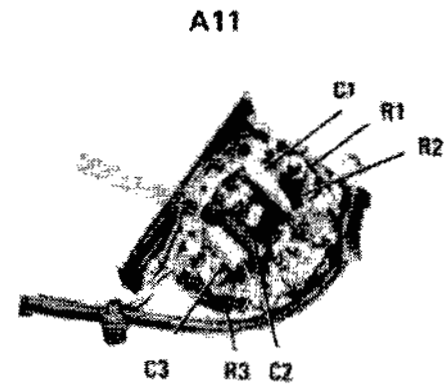


Figure 8-11. Video Filter Assembly A11

SERVICE SHEET 2 (cont'd)

Switch wafers S1 1F, S1 2F, and S1 1R connect the 3 MHz IF Signal from the crystal filter circuit to the Log/Lin amplifier and provide attenuation to this signal when required.

Switch wafer S1-2R, in conjunction with the RF Section INPUT ATTENUATION control, programs the gain compensation function of the linear scale factor amplifier in the Log/Lin amplifier when the analyzer is operating in the LINEAR mode.

Switch wafers S1 3F and S1 3R provide dc levels to enable or disable diode switches which, in turn, enable or disable step gain amplifiers in the 3 MHz IF and LC Filter Assemblies.

SCAN TIME SWITCH ASSEMBLY A9

The various functions of the scan time switch assembly are as follows:

S1-1F selects the capacitor to be charged to generate the scan ramp.

S1 2R connects (or removes) a ground to R10 to partially control the operational parameters of constant current source Q6.

S1 2F selects the resistor to be used in the emitter circuit of constant current source Q6.

S1-1R selects the resistor (or resistors) to control the sweep reset (dead time) of the scan generator and switches a filter into the shaping circuit output on slow scan times.

S1 3F and S1-3R provide current to the analogic scanning buss to aid in illuminating the DISPLAY UNCAL lamp when switch settings are not compatible with analyzer calibration requirements.

LOG REFERENCE LEVEL SWITCH ASSEMBLY A10

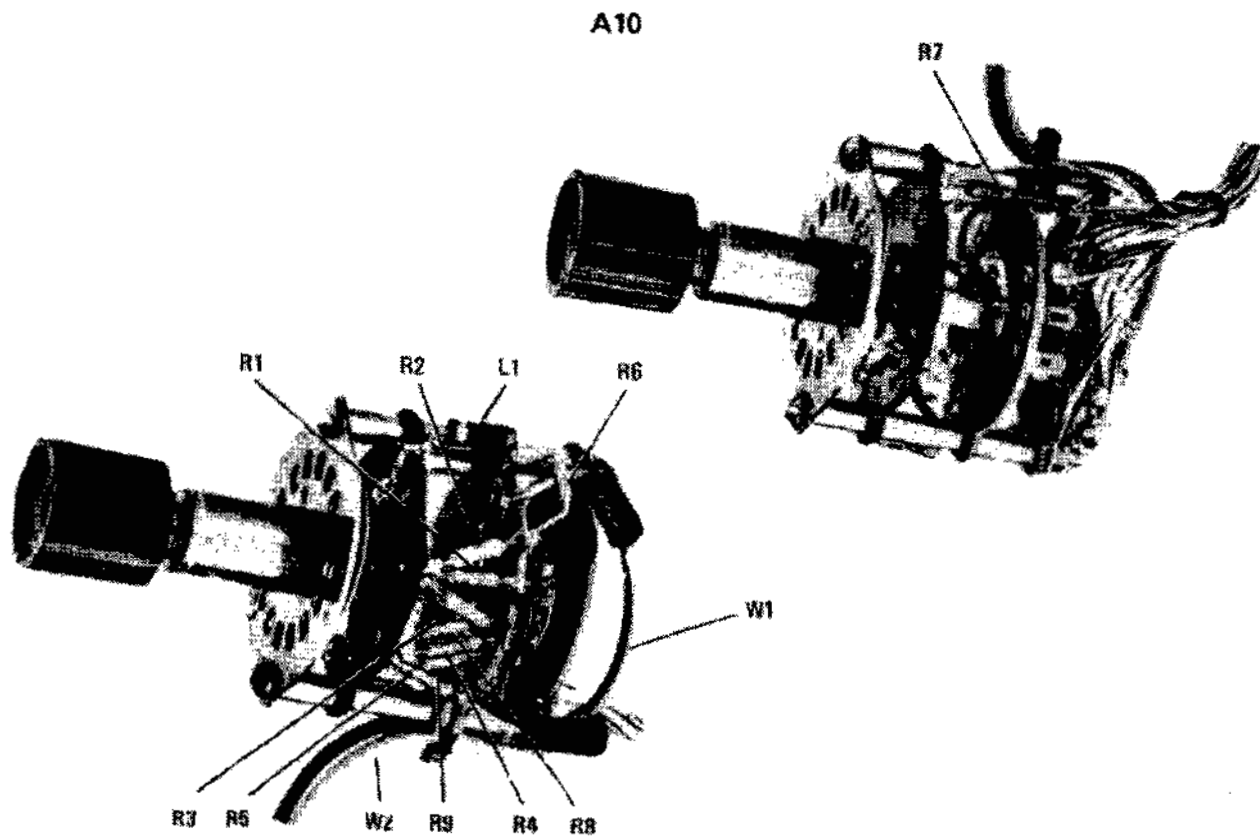


Figure 8-12. Log Reference Level Switch Assembly A10

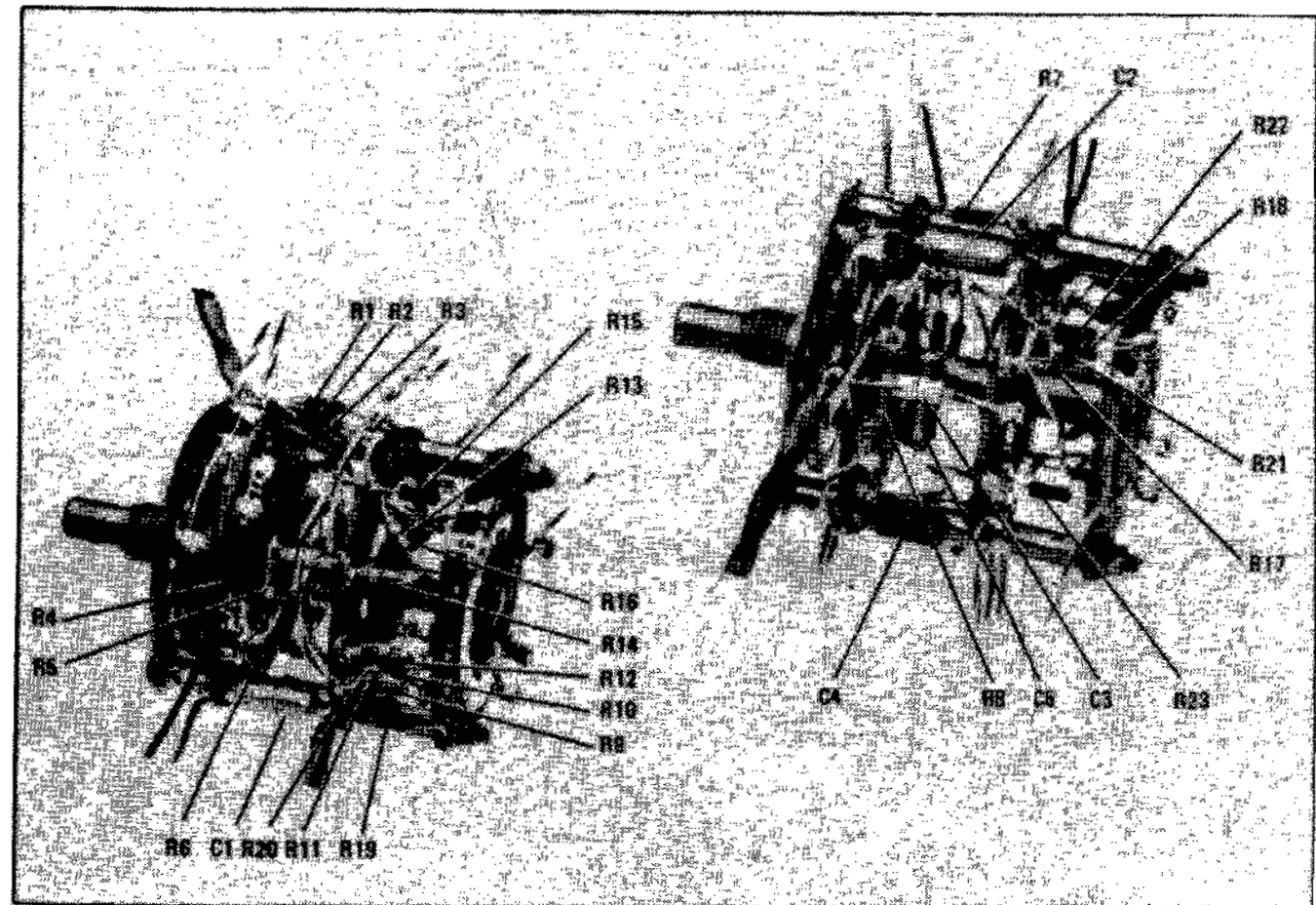


Figure 8-13. Scan Time Switch Assembly A9

A1, A2, A3, A4, A5, A6, A7, A8, A12
 Block Diagram
 SERVICE SHEET 1

Table 8-6. IF to-RF Sections Interconnecting Jack Identification

Table 8-7. IF-to-Display Sections Interconnecting Plug Identification

J3 Pin No	Wire Color Code	Circuit Function	P1 Pin No	Wire Color Code	Circuit Function
Pin 1	912	03 kHz Bandwidth	Pin 1	6	+20V
2	913	0 1 kHz Bandwidth	2	3	+100V
3	914	0 3 kHz Bandwidth	3	3	Open
4	915	1 kHz Bandwidth	4	92	+100V
5	4	Phase Lock Compensation	5	5	Open
6	3	Preset Scan Voltage	6	7	-100V
7	5	Linear Compensation Control Voltage	7	7	Open
8	6	Linear Compensation Control Voltage	8	0	Ground
9	938	Log Ref Level Lamp No 4	9	2	+250V
10	945	Log Ref Level Lamp No 5	10	0	Horizontal Deflection
11	946	Log Ref Level Lamp No 6	11	905	Display Uncal Light
12	90	Sensing Ground	12	5	Vertical Deflection
13	8	Blanking for Tracking Generator	13	1	6.3 Vac
14	925	01 kHz Bandwidth	14	14	Open
15	902	+20 Volts for connector J3	15	0	Ground
22	90	Scanwidth Ground	16	926	Blanking
23	8 (cable)	3 MHz IF	17	17	Open
24	8 (cable)	Ground	18	0	Ground
25	916	10 kHz Bandwidth	19	19	Open
26	927	30 kHz Bandwidth	20	20	Open
27	918	100 kHz Bandwidth	21	97	-12.6V
28	923	300 kHz Bandwidth	22	9	Horizontal Deflection
29	96	Ampl Cal Adjustment	23	906	Marker
30	957	Normal Analogic Line	24	9	Vertical Deflection
31	934	Scan Voltage to Shaping Ckt			
32	9	Fine Tune Voltage to Shaping Ckt			
33	935	Log Ref Level Lamp No 1			
34	936	Log Ref Level Lamp No 2			
35	937	Log Ref Level Lamp No 3			
36	907	-10 Volts			
37	902	+20 Volts			
38	956	Video Filter Analogic Line			
39	958	Zero Scan Analogic Disable Line			
40	968	Log/Linear Sense			
41	928	0 to 8V ramp scan control to tracking generator			
A1	9	W7 50 MHz IF			
A2	6	47 MHz Auxiliary Line			

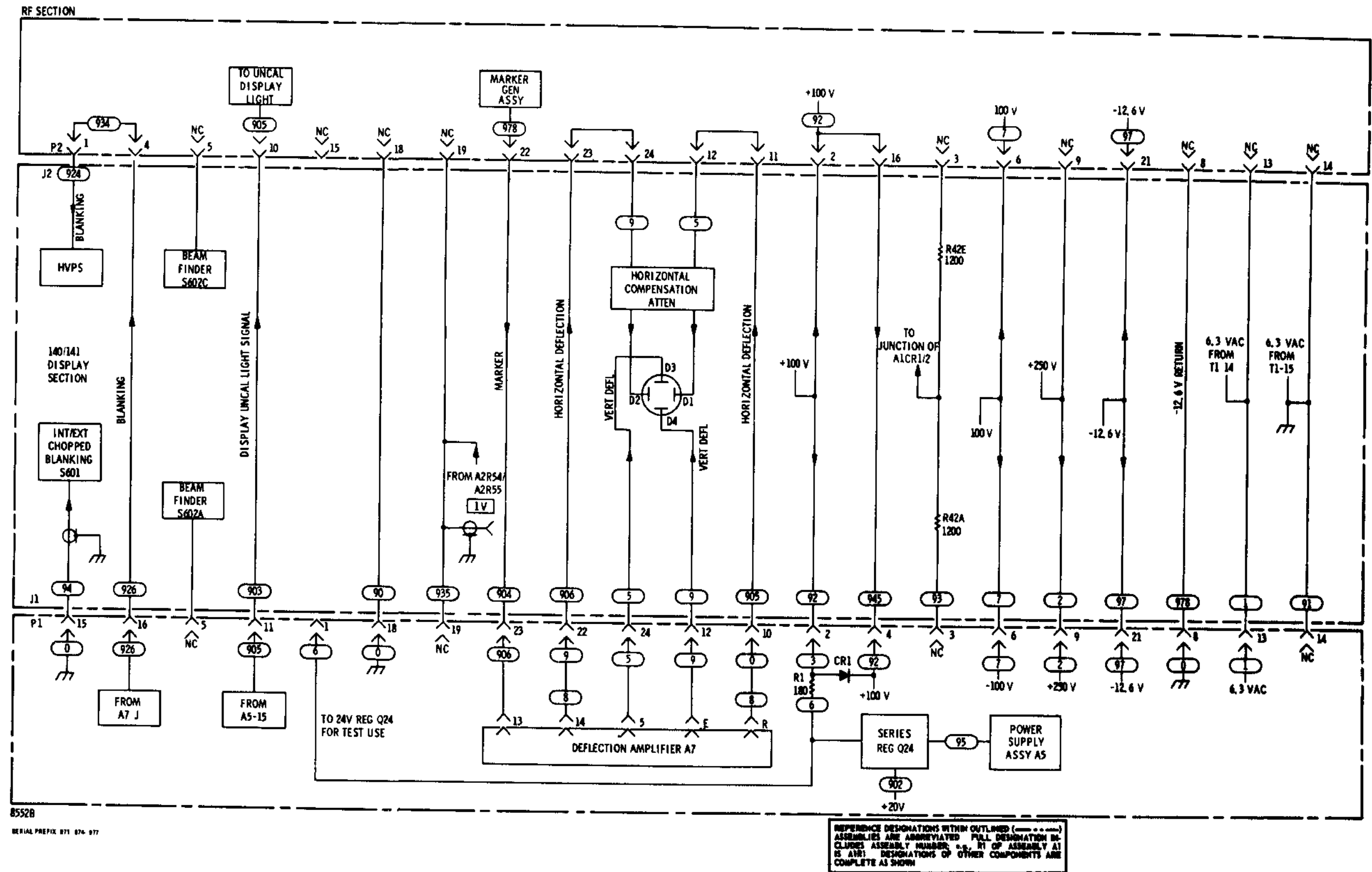


Figure 8-14. RF Section/IF Section/Display Section Interconnections

SERVICE SHEET 3

It is assumed that the procedures in Paragraphs 5 37, 5 38, and 5 39 of Section V could not be satisfactorily conducted. It is further assumed that the tuning input from A12, the 50 MHz input, and the correct operating voltages are present.

TROUBLESHOOTING PROCEDURE

When a malfunction has been isolated to the 50 MHz converter assembly, it should be removed from the mainframe and reinstalled using the extender board to provide easy access to all components. Both ground flanges will have to be connected to chassis ground. Connect CAL OUTPUT to 8447A INPUT and 8447A OUTPUT to RF INPUT. Test procedures follow the circuit description in each of the steps below.

EQUIPMENT REQUIRED

AMPLIFIER	HP 8447A
SERVICE KIT	HP 11592A
VECTOR VOLTMETER	HP 8405A
FREQUENCY COUNTER	HP 5245L/5251A

CONTROL SETTINGS

Unless otherwise specified in individual tests:

SCAN WIDTH	ZERO
BANDWIDTH	300 kHz
FREQUENCY	30 MHz
INPUT ATTENUATION	0 dB
TUNING STABILIZER	OFF

1 50 MHz AMPLIFIER

Broadband amplifier Q1/Q2 has built in 44 MHz traps to suppress image responses (44 MHz mixed with the 47 MHz oscillator signal would produce a false 3 MHz IF signal). Input and output signals are applied through isolation transformers. Gain of the two stage amplifier is typically 10 dB.

TEST PROCEDURE 1

With a 30 MHz, 10 dBm signal applied to the analyzer RF INPUT, and the HP 8405A connected to XA3 2, tune the analyzer FREQUENCY control for maximum signal. Nominal reading is 44 mV rms. Next connect the HP 8405A to the 50 MHz amplifier output (input feedthru capacitor C1 to the 50 MHz bandpass filter adjacent to T1). Meter should indicate a typical value of approximately 150 mV rms.

If the 50 MHz amplifier output is correct, proceed to step 2.

If the 50 MHz amplifier is not providing the correct output, check Q1/Q2 and associated components.

NOTE

After making repairs to the 50 MHz amplifier circuit, proceed to step 4. If the test procedure in step 1 is satisfactorily concluded, steps 2 and 3 may be omitted. If repair to the 50 MHz amplifier is required, the 44 MHz Rejection Adjustments defined in paragraph 5 39 of Section V should be made.

SERVICE SHEET 3 (cont'd)

2 50 MHz BANDPASS FILTER

The 50 MHz Bandpass Filter consists of four tuned circuits wound on a common coil form. C5, C6, C9, and C10 are adjusted for maximum amplitude and flatness (± 2 mV) at least 0.3 MHz on either side of 50 MHz.

TEST PROCEDURE 2

With a 30 MHz, 10 dBm signal applied to the analyzer RF INPUT, and the HP 8405A connected to the bandpass filter output (feedthru capacitor C13 at the output of bandpass filter), tune the analyzer FREQUENCY control for maximum signal. Nominal voltage is 90 mV rms.

If bandpass filter output signal voltage is correct, proceed to step 3.

If bandpass filter output signal is low or missing, first try realignment in accordance with Paragraph 5 38 of Section V. If this does not correct the malfunction, replace the Bandpass Filter.

After bandpass filter replacement and adjustment is completed, proceed to step 4. If the test results in step 4 are satisfactory, step 3 may be omitted.

NOTE

If bandpass filter replacement is necessary, the new filter should be adjusted in accordance with paragraph 5 38 of Section V.

3 47 MHz LOCAL OSCILLATOR

Depending on the RF Section used, the 47 MHz oscillator is operated at a fixed frequency of 47 MHz or is swept. See the appropriate RF Section manual for information on the modes of operation for the oscillator.

TEST PROCEDURE 3

Connect the HP 8405A Channel A probe to the 47 MHz local oscillator output at XA3 14 (use 50 ohm load) and the Channel B probe to the input of T4 (second feedthru from bottom of board on the local oscillator cover). Channel A should read approximately 7 dBm (100 mV into 50 ohms) and Channel B should read approximately 670 mV rms (approximately +10 dBm). Connect the HP 8405A Channel A probe to J8 (47 MHz input to APC Assy A12). Voltmeter should read approximately +10 dBm.

If the meter readings are correct, proceed to step 4.

The 47 MHz local oscillator is a sealed unit and field repairs are not practical. If the above readings are not obtained, replace the 47 MHz Local Oscillator Assembly A3A2.

SERVICE SHEET 3 (cont'd)

Check the oscillator frequency by connecting the 5245L/5251A to XA3 14. Vary R42 on A5 to adjust the oscillator to 47 MHz.

NOTE

If it is necessary to replace the 47 MHz Oscillator Assembly, the checks and adjustments in Paragraph 5 37 of Section V should be performed.

4 MIXER

The 50 MHz IF signal mixes with the 47 MHz local oscillator output to produce a 3 MHz IF signal containing all of the modulation components of the 50 MHz signal. The 3 MHz IF is coupled out

through T2 to the 3 MHz IF Amplifier Assembly. Conversion loss through the mixer is approximately 7 dB.

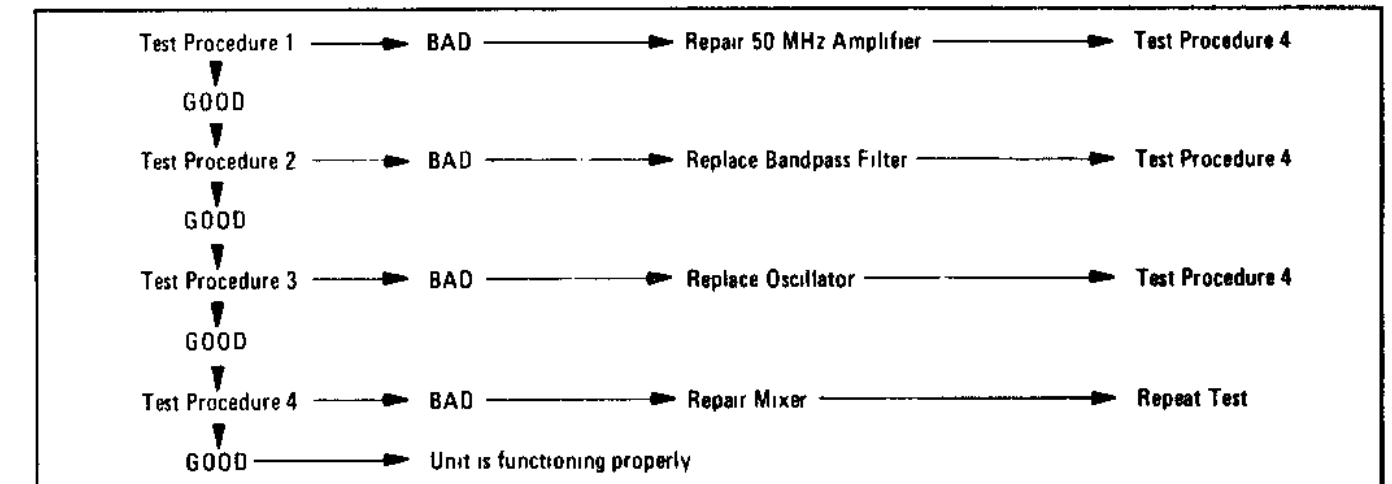
TEST PROCEDURE 4

With a 30 MHz, -10 dBm signal applied to the analyzer RF INPUT, and the HP 8405A connected to the mixer output at 3 MHz feedthru under chassis (C4), tune the analyzer FREQUENCY control for maximum. Typical signal level is 44 mV rms.

If the proper signal level is not present, check the mixer circuit.

If the proper signal level is present, the unit is functioning properly.

Simplified Test Procedure Tree



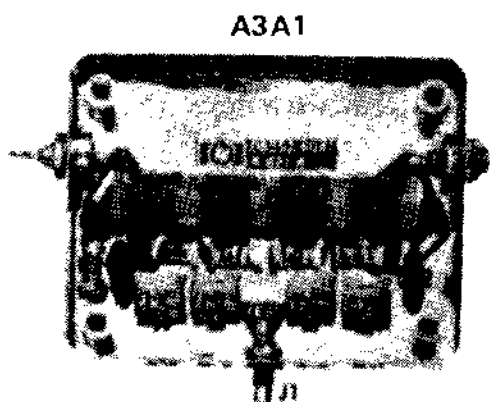


Figure 8-15. 50 MHz Bandpass Filter A3A1 Component Identification

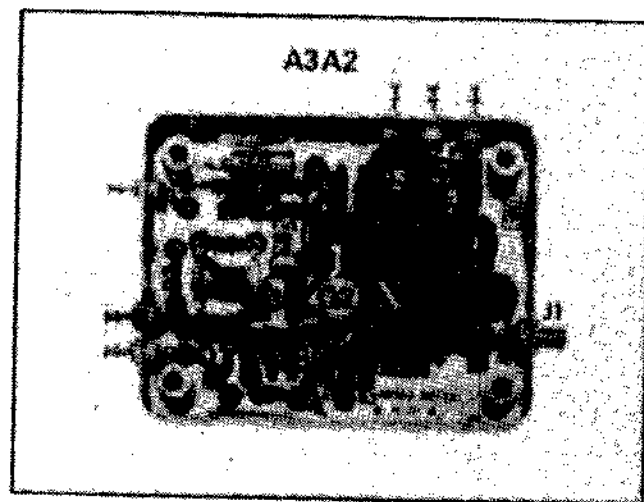


Figure 8-16. 47 MHz LO A3A2 Component Identification

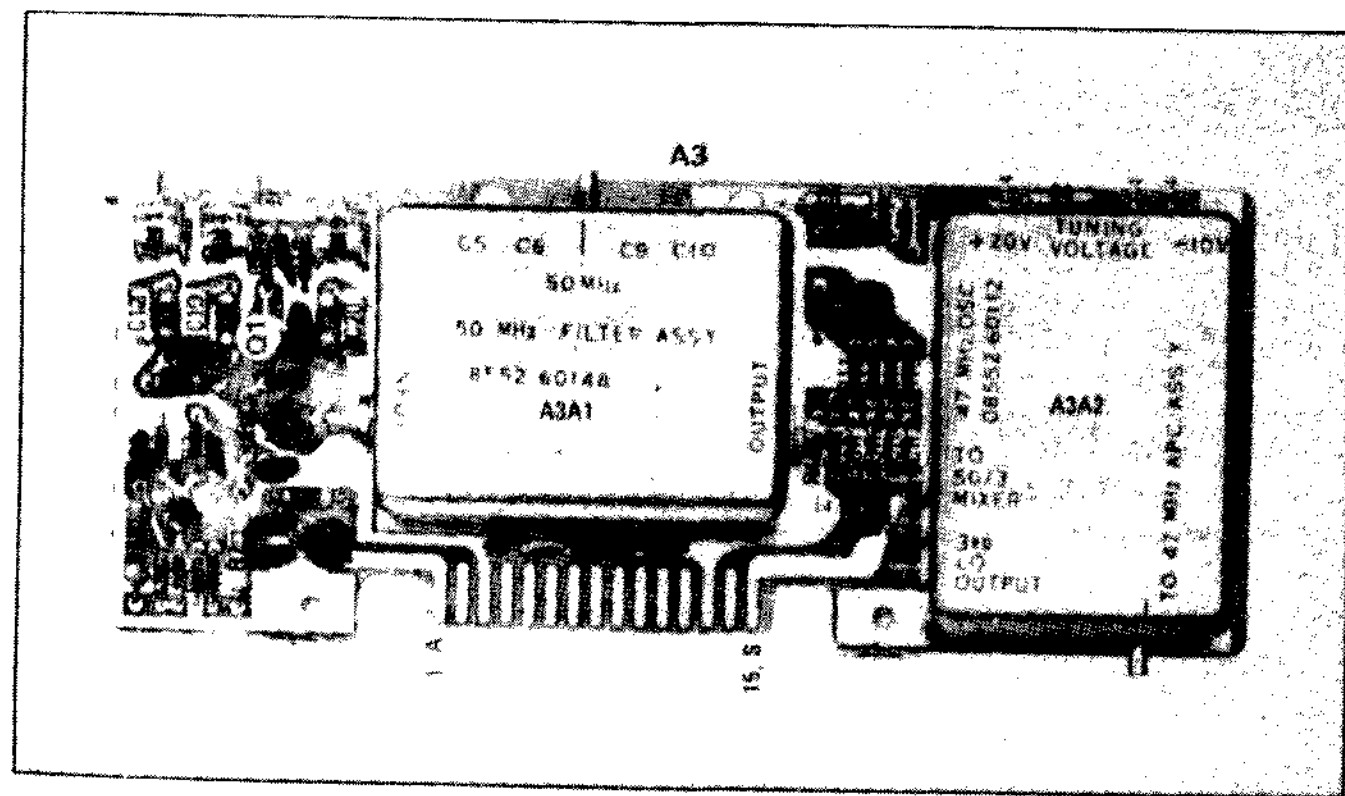


Figure 8-17. 50 MHz Converter A3 Component Identification

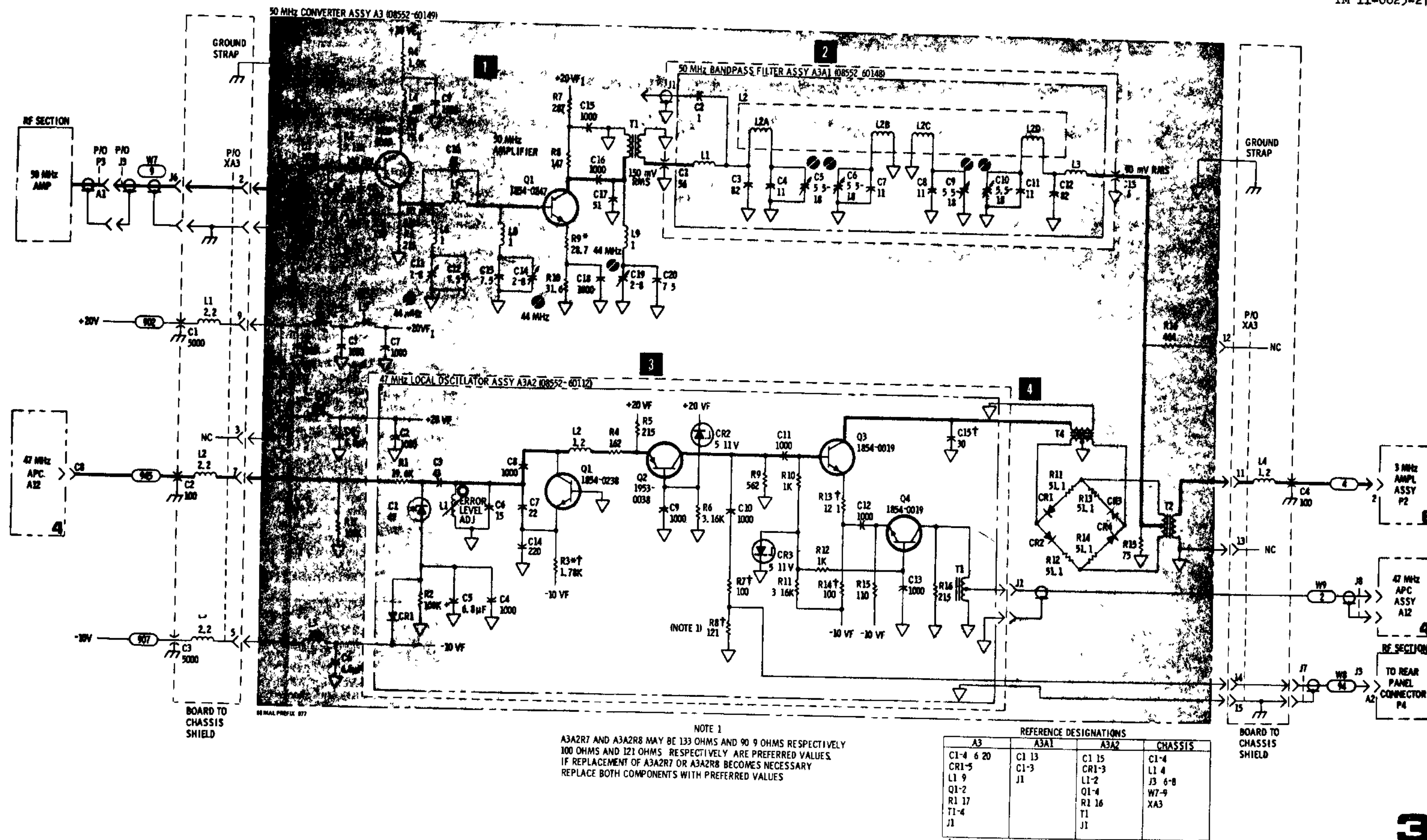


Figure 8-18. 50 MHz Converter

SERVICE SHEET 4

It is assumed that input DC voltages, the 47 MHz input and the 2 MHz VTO Shaping Circuit input are all correct and present

TEST PROCEDURE

When trouble has been isolated to the 47 MHz Automatic Phase Lock Control circuits, remove the cover shield from the A13 and A1/A12 assemblies to provide access to components and test points

EQUIPMENT REQUIRED

OSCILLOSCOPE HP 180A/1801A/1821A
 SERVICE KIT HP 11592A
 VECTOR VOLTMETER HP 8405A

CONTROL SETTINGS

SPECTRUM ANALYZER Any

1 SEARCH OSCILLATOR/AMPLIFIER AND PHASE DETECTOR

The Automatic Phase Control Circuits control the 47 MHz VTO in a phase lock loop 45 MHz from a crystal oscillator is mixed with the nominal 47 MHz from the 47 MHz VTO to give a nominal 2 MHz difference frequency. This difference frequency is compared with the nominal 2 MHz VTO output in a phase detector. Any phase difference produces a dc error voltage that is amplified by the search oscillator/amplifier and fed back to correct the 47 MHz VTO. If the search oscillator/amplifier loses its lock, it will search at about a 50-Hz rate until it brings the 47 MHz VTO frequency into coincidence with the sum of the frequencies from the 45 MHz oscillator and the 2 MHz VTO.

TEST PROCEDURE 1

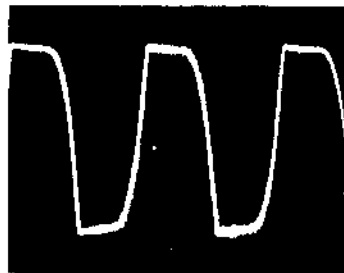
When the Search Oscillator/Amplifier is locked on and controlling the 47 MHz VTO, its output is approximately steady dc. When the phase loop is broken the Search Oscillator/Amplifier output (≈ 50 Hz) is as shown in waveform. Connect the oscilloscope to TP B (feedthrough C8) and disconnect W9 (red coax) at A3J1.

CONTROL SETTINGS

Oscilloscope
 0.2 V/Div
 5 msec/Div 10 1 probe

Waveform GOOD
 Reconnect W9 at A3J1 and proceed to step 2

Waveform BAD
 Check E2, U1 and associated components



A3, A3A1, A3A2
 50 MHz Converter
 SERVICE SHEET 3

SERVICE SHEET 4 (cont'd)

2 45 MHz CRYSTAL OSCILLATOR AND MIXER

Q2 and associated components form a crystal oscillator that feeds 45 MHz to mixer E1. Nominal 47 MHz from the 47 MHz VTO is fed to E1 by isolation amplifier Q1.

TEST PROCEDURE 2

2a Connect the vector voltmeter to TP2 (45 MHz oscillator output)

CONTROL SETTINGS

Vector Voltmeter
 FREQ RANGE — MHz 20–50
 AMPLITUDE (dB) 0

Voltmeter should read about +1 dBm

Reading GOOD Proceed to 2b

Reading BAD Check Q2 and associated components

2b Connect the vector voltmeter to TP A (E1 output)

CONTROL SETTINGS

Vector Voltmeter
 FREQ RANGE — MHz 1–5
 AMPLITUDE (dB) 0

Voltmeter should read about 2 dBm

Reading GOOD proceed to step 3

Reading BAD Check Q1, E1 and associated components

3 2 MHz VTO ASSY A13

The exponential control voltage from the 2 MHz VTO Shaping Circuit is fed to varactors C1 and C2. C1, C2, and T1 form a tank circuit that controls the 2 MHz VTO, Q1. Because varactors have an exponential voltage capacitance relationship, the frequency out of the oscillator is linear with respect to the RF Section control voltage (see Service Sheet 5).

The output frequency is amplified by Q2 and Q3 and fed to the phase detector E2. Q4 provides temperature compensation.

TEST PROCEDURE

Attach the vector voltmeter probe to A12 TP1 (2 MHz VTO Assy output)

CONTROL SETTINGS

Vector Voltmeter
 FREQ RANGE — MHz 1–5
 AMPLITUDE (dB) +10

Voltmeter should read about +5 dBm

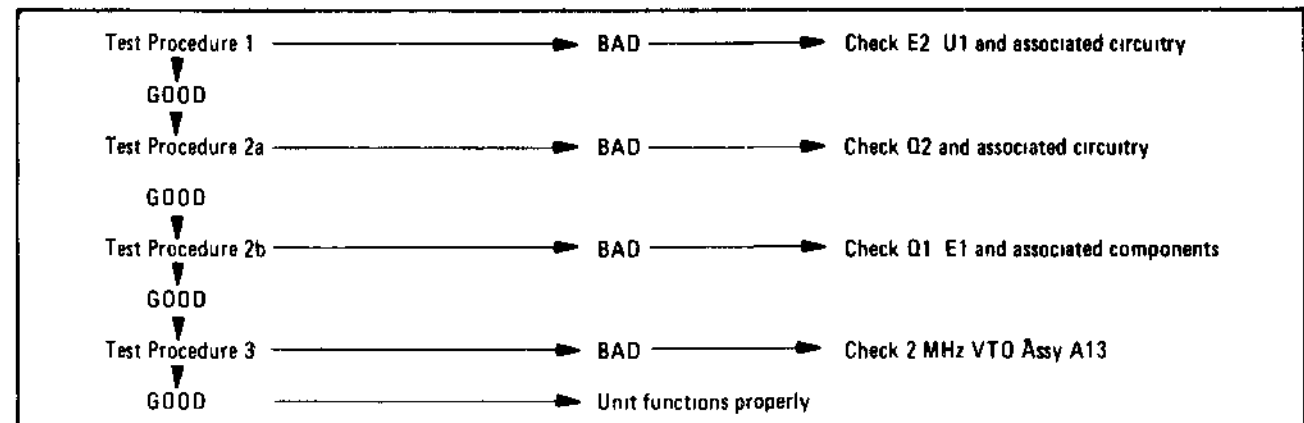
Reading GOOD Assembly functions properly

Reading BAD Check 2 MHz VTO Assy A13

NOTE

When repairs are required, the Adjustment specified in paragraph 5.37 should be performed.

Simplified Test Procedure Tree



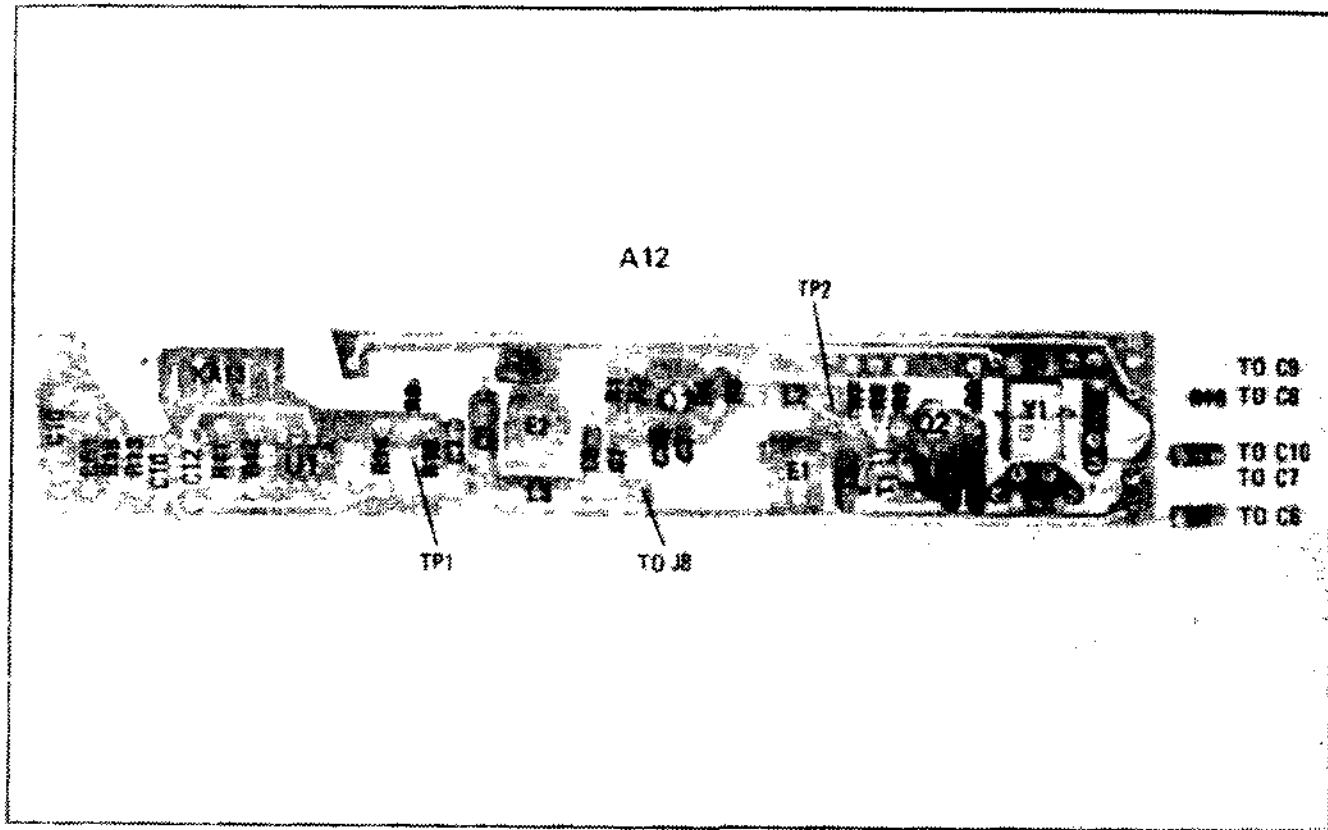


Figure 8-19. 47 MHz APC A12 Component Identification

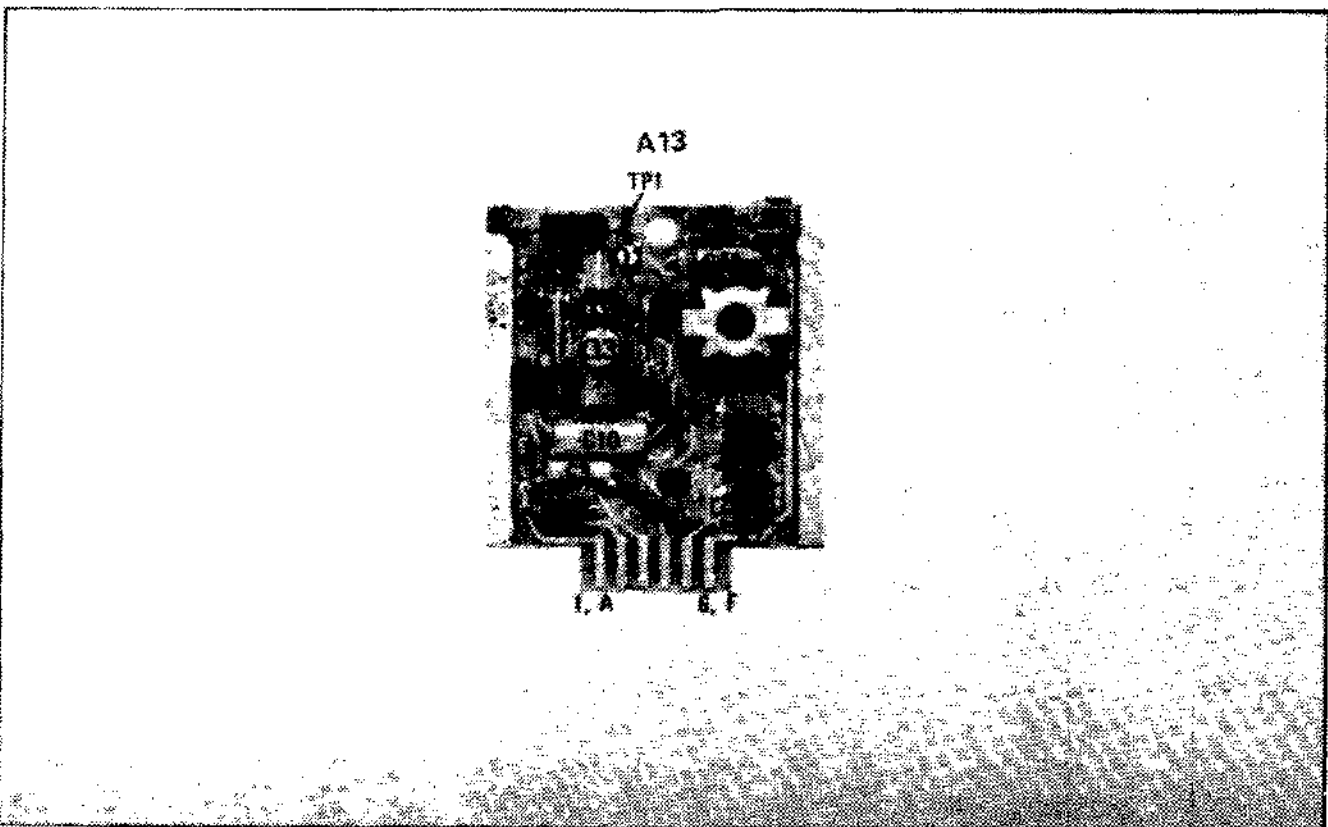


Figure 8-20. 2 MHz VTO A13 Component Identification

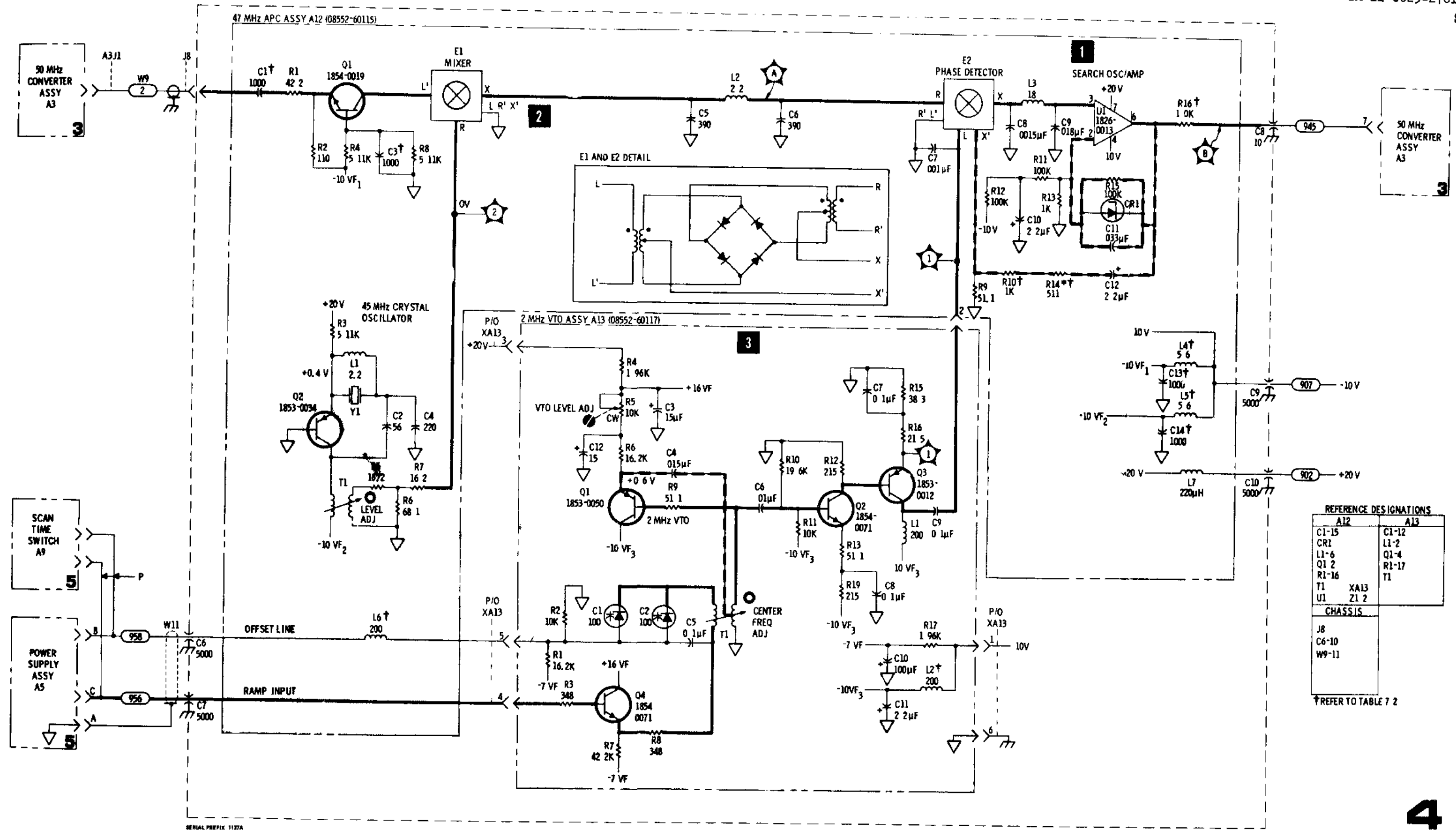


Figure 8-21. 47 MHz Automatic Phase Control and 2 MHz Voltage Tuned Oscillator

SERVICE SHEET 5

It is assumed that input voltages are present and correct

TROUBLESHOOTING PROCEDURE

When trouble has been isolated to the 2 MHz VTO Shaping Circuit remove power supply assembly A5 and reinstall it on the extender board to provide access to components and test points

NOTE

See the appropriate RF Section manual for inputs to the summing and shaping circuits. Depending on the RF Section, the inputs will be a dc voltage or dc voltages and a ramp voltage

EQUIPMENT REQUIRED

DIGITAL VOLTMETER HP 3440A/3443A

CONTROL SETTINGS

Any

1 SUMMING AND COMBINING CIRCUITS

In all 8552B/RF Section combinations, the RF Section, in some way, controls the 47 MHz VTO. The 47 MHz VTO may be just set to some fixed frequency or it may be set to some frequency and swept. In any case, the control inputs from the RF Section are summed and combined by U1, U2 and associated circuitry. U1 is an offset amplifier, U2 is a summing amplifier. U1 and U2 outputs are combined across R43 and R44 and fed to the shaping circuit.

TEST PROCEDURE 1

Disconnect the RF Section and the 8552B (but leave both connected to the Display Section). Ground XA5 pin 2 (input to U1) to chassis, attach the voltmeter to TP A (U1, pin 6). Voltmeter should read about +5V. Ground XA5 pins 5 and 3

to chassis, attach voltmeter to TP B (U2, pin 6). Voltmeter should read about 5.5V.

If the voltage at U1 or U2 was incorrect, check the IC and associated circuitry.

If the voltages were correct, reconnect the 8552B and the RF Section and proceed to step 2.

2 CONSTANT CURRENT SOURCE

Q2 and associated circuitry supplies current to the shaping circuit.

TEST PROCEDURE 2

Attach the voltmeter to TP C (Q2 - e), it should read about +14V.

If the voltage was incorrect, check Q2 and associated circuitry. If the voltage was correct, proceed to step 3.

3 SHAPING CIRCUIT

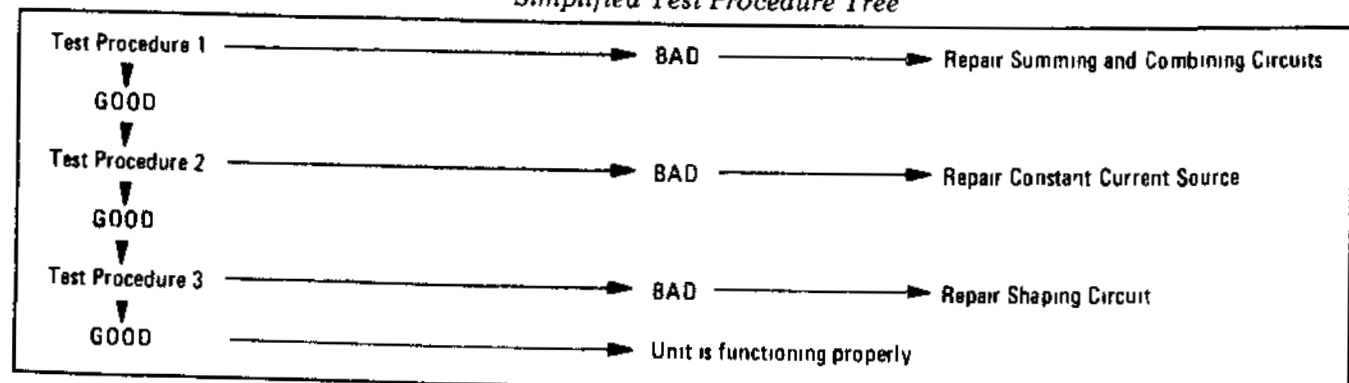
The shaping circuit converts any linear input into an exponential output. Q21 is always on and provides temperature compensation. Q1, Q3-Q9, Q14 and Q20 are used as diodes (collector base junctions) and turn on in sequence, from right to left, as the input goes from positive to negative. The exponential output is fed to the 2 MHz VTO. At scan times of 1 second or slower it is filtered by C5 on the Scan Time Switch Assembly A9, this filtering eliminates any low frequency components that might frequency modulate the 2 MHz VTO (and thus modulate the 47 MHz VTO) when narrow bandwidths and slow scan times are being used.

TEST PROCEDURE 3

Testing the shaping circuit consists of checking the transistors for proper diode action and checking the resistors for proper resistance.

NOTE

When repairs are required, the Adjustments specified in paragraph 5.37 should be performed.

Simplified Test Procedure Tree

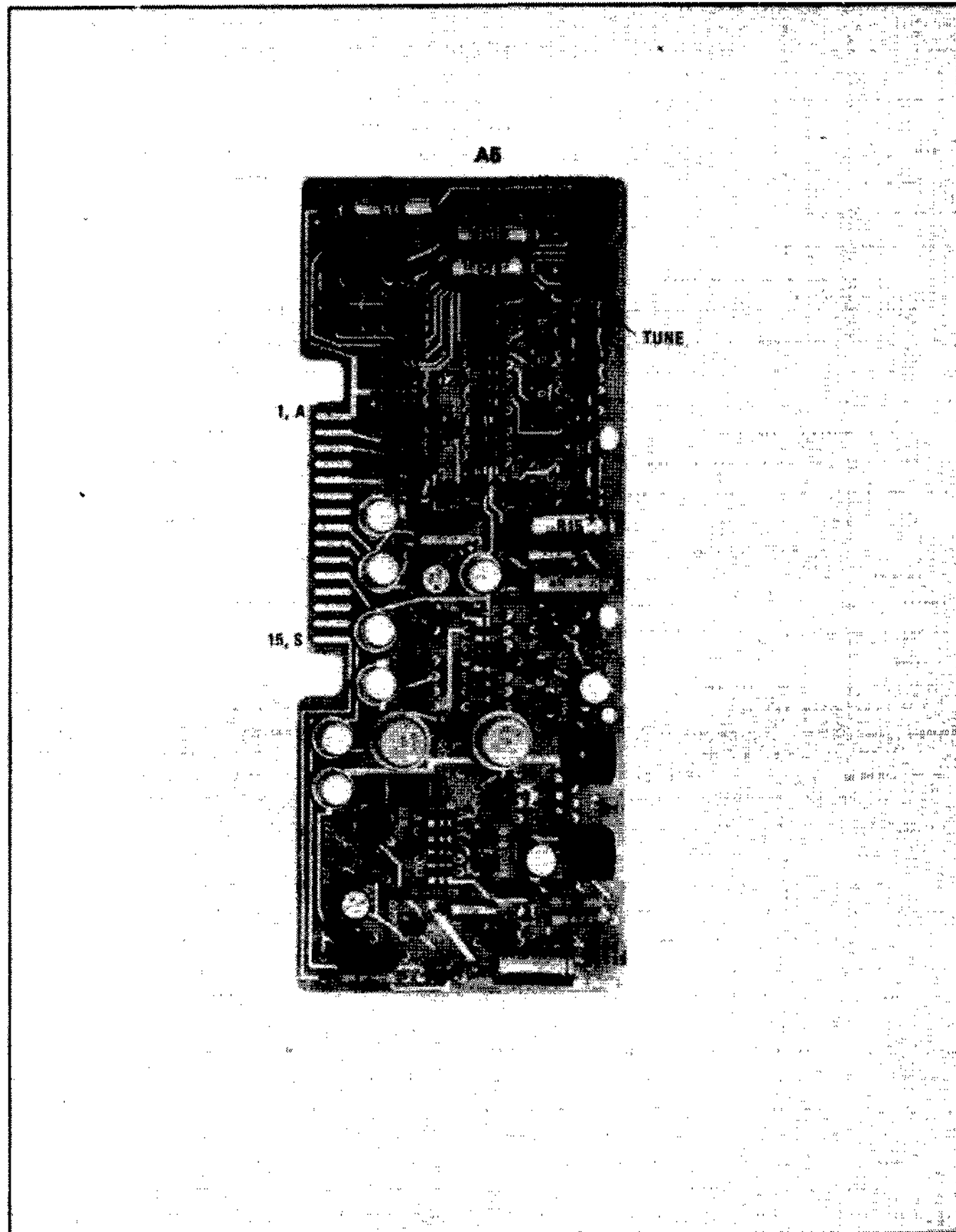


Figure 8-22 P/O Power Supply A5 Component Identification

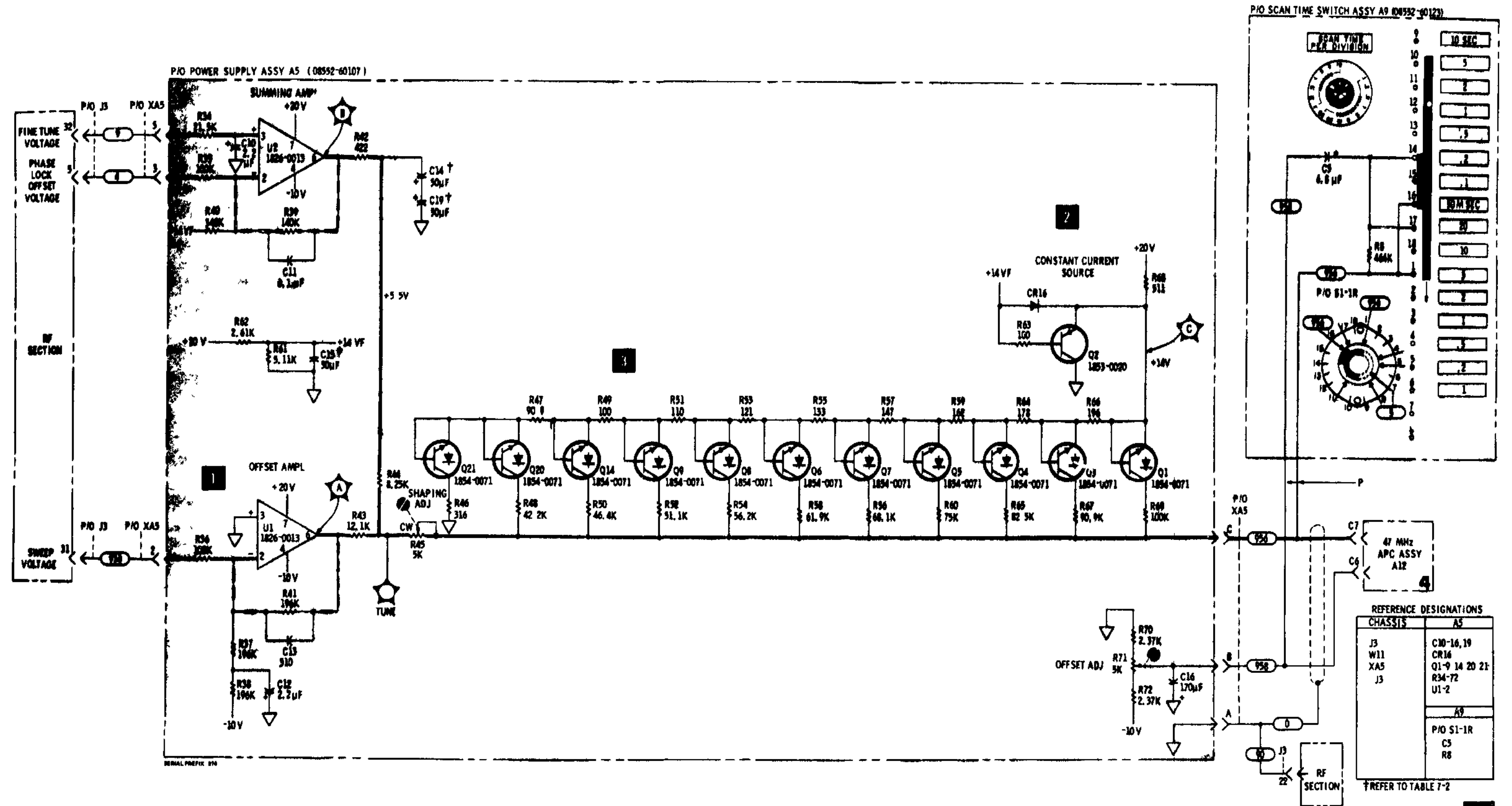


Figure 8-23. 2 MHz VTO Shaping Circuit

SERVICE SHEET 6

It is assumed that the 3 MHz input signal and the correct dc input voltages are present and that the output signal is missing or out of tolerance

TROUBLESHOOTING PROCEDURE

When a malfunction has been isolated to the 3 MHz IF amplifier A2, the board should be removed and reinstalled using the extender board to provide access to components. Connect the CAL OUTPUT to the RF INPUT

NOTE

Part of the 3 MHz IF amplifier circuit is shown on Service Sheet 7. It will be necessary to utilize both service sheets to verify proper operation of the amplifier after repairs are completed

EQUIPMENT REQUIRED

VECTOR VOLTMETER HP 8405A
SERVICE KIT HP 11592A

CONTROL SETTINGS

Unless otherwise specified in individual tests

INPUT ATTENUATION 10 dB
SCAN WIDTH PER DIVISION 20 kHz
LOG REF LEVEL 10 dBm
SCAN WIDTH ZERO
LOG LINEAR 10 dB LOG
FREQUENCY 30 MHz

3 MHz AMPLIFIER ASSEMBLY (General)

The 3 MHz amplifier assembly consists of a bandpass filter, the amplitude calibration amplifier, the 30, 40, 50 dB step amplifier, a variable 0 to 12 dB amplifier, and an emitter follower output stage. The 0 to 12 dB amplifier and the emitter follower output stage are shown on Service Sheet 7

1 3 MHz BANDPASS FILTER

The 3 MHz bandpass filter is a two-section adjustable filter which is adjusted to provide a bandpass of 300 kHz centered at 3 MHz

TEST PROCEDURE 1

Connect the HP 8405A to TP A (Q1 b) and tune the analyzer for maximum signal. Meter should indicate approximately 60 mV rms. If the signal level is correct, proceed to step 2. If the signal is low or missing, check the bandpass filter and R1

NOTE

If the bandpass filter circuit requires repairs, the adjustment procedure specified in paragraph 5.32 of Section V should be performed

A5, A9
2 MHz VTO Shaping Circuit
SERVICE SHEET 5

SERVICE SHEET 6 (cont'd)

2 AMPLITUDE CALIBRATION AMPLIFIER

The gain of the amplitude calibration amplifier, Q1, Q2 and Q3 is controlled by a variable capacitive voltage divider. The variable capacitive elements are varactors which are controlled by a dc level from the RF Section front panel screw driver adjustment. This circuit is adjusted during the analyzer alignment procedure to compensate for overall gain requirements and to provide absolute amplitude calibration of the displayed signal. Circuit gain is nominally 10 dB and is adjustable by approximately ±4 dB

TEST PROCEDURE 2

Connect the HP 8405A to TP 1 (Q3 c) and tune analyzer for maximum signal. Meter reading is typically 30 mV rms. If this level is present, turn the AMPL CAL adjustment to verify proper operation, return control setting to the level observed first, and proceed to step 3. If signal is missing or level is not as specified, check Q1/Q2/Q3 and associated components

3 30, 40, 50 dB STEP AMPLIFIER AND CONTROL CIRCUITS

Q4, Q5 and Q6 form a feedback amplifier whose gain is controlled by the feedback divider circuits in the emitter circuit of Q4. These circuits are

controlled by the LOG REF LEVEL switch. When all of the diodes (CR1-6) are reverse biased, the amplifier's gain is unity. When the 30 dB divider is switched into the feedback path, the amplifier's gain is 10 dB, when the 40 dB divider is activated, the gain is 20 dB, and when the 50 dB divider is activated, the gain is 30 dB. R21, R24 and R27 are adjusted to calibrate the amplifier's gain steps

TEST PROCEDURE 3

Connect the HP 8405A to TP2 and tune the analyzer for maximum signal. Rotate the INPUT ATTENUATION and LOG REF LEVEL controls as indicated below and observe meter readings

Signal levels shown are typical

If correct levels are observed, proceed to step 1 on Service Sheet 7

If correct levels are not obtained, check the 30, 40, 50 dB step amplifier, feedback divider networks or LOG REF LEVEL switch assembly as required

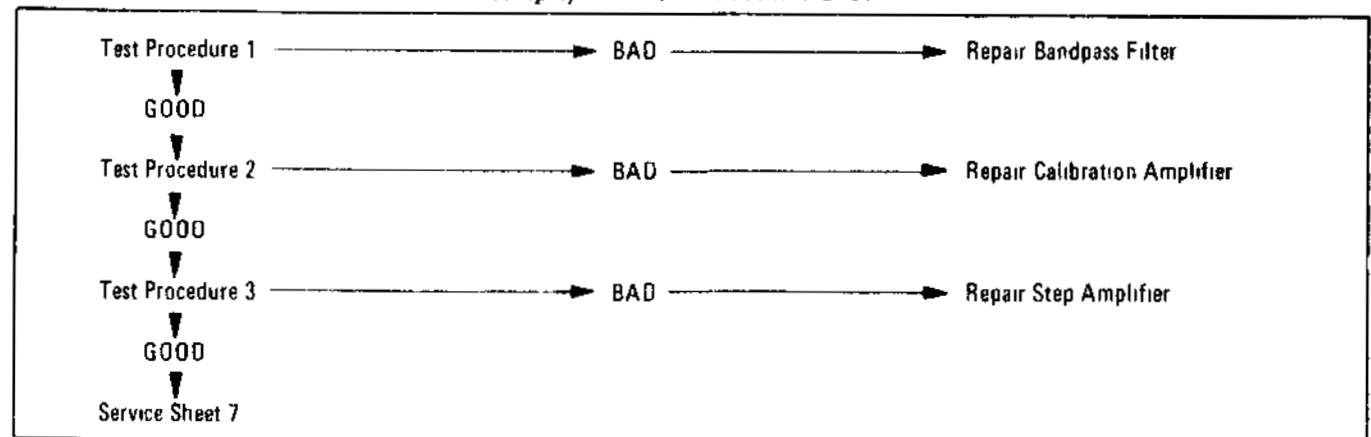
NOTE

When repairs are required to the 3 MHz IF assembly, the tests and adjustments specified in paragraphs 5.32 and 5.36 of Section V should be performed

INPUT ATTENUATION	LOG REF LEVEL*	TP 2
0 dB	30 dBm	15 dBm
10 dB	30 dBm	15 dBm
20 dB	-30 dBm	15 dBm
30 dB	30 dBm	15 dBm

*Read at lit index lamp

Simplified Test Procedure Tree



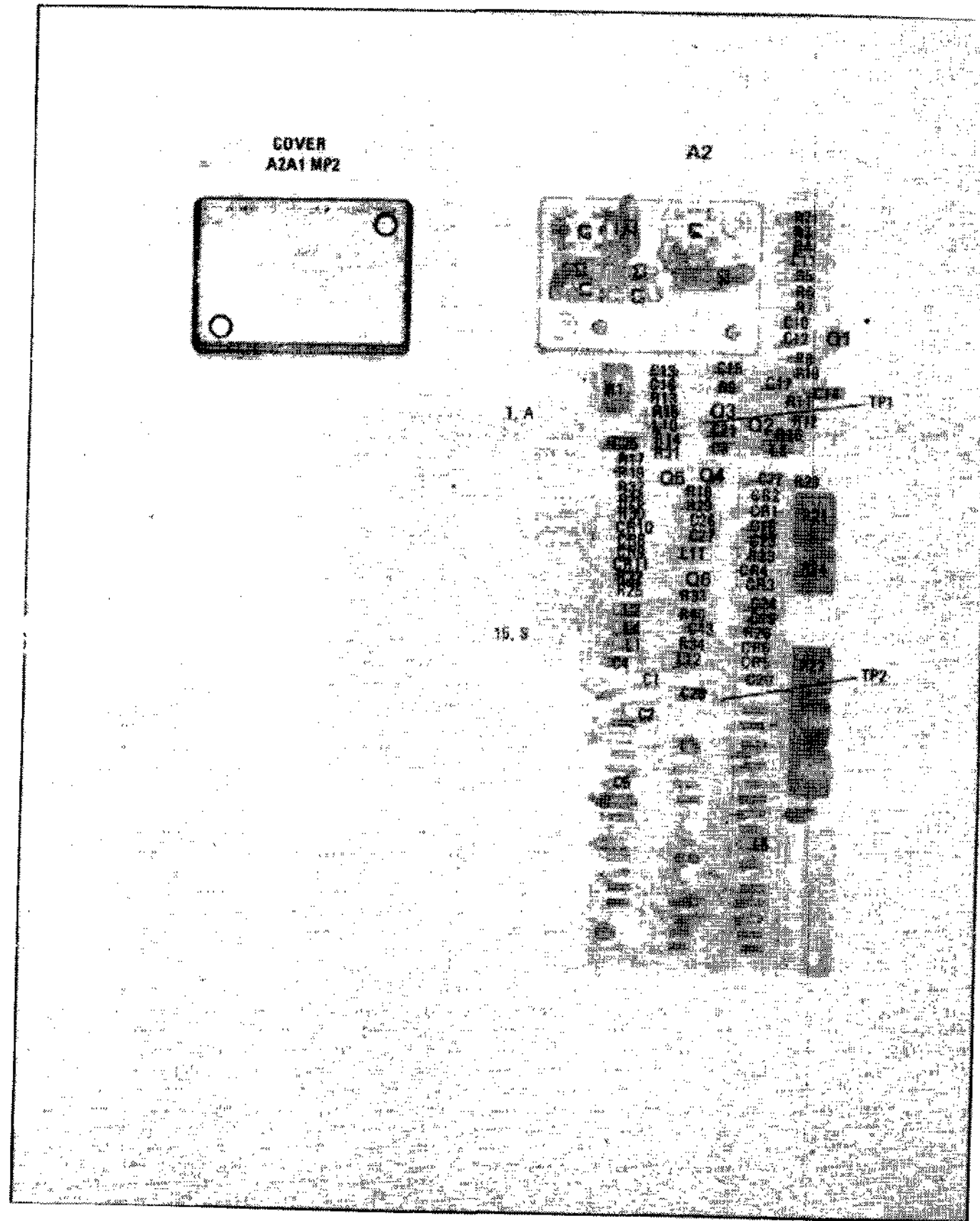


Figure 8-24. P/O 3 MHz Amplifier A2 Component Identification

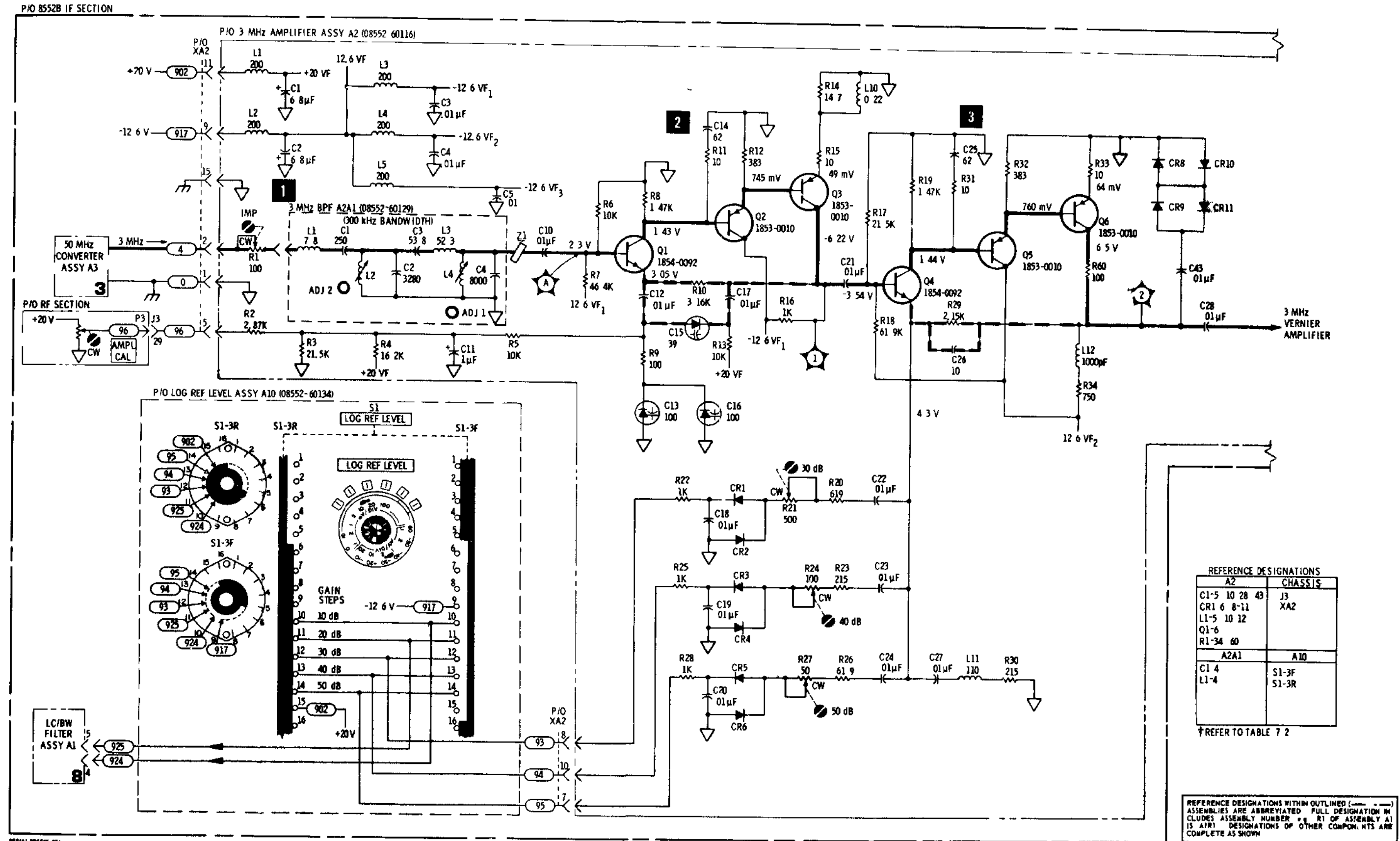


Figure 8-25. 3 MHz Amplifier (1 of 2)

SERVICE SHEET 7

It is assumed that the 3 MHz input signal and the circuit dc input voltages are present and that the output signal is missing or out of tolerance

TROUBLESHOOTING

When a malfunction has been isolated to the 3 MHz IF amplifier A2, the board should be removed and reinstalled using the extender board to provide access to components. Connect the CAL OUTPUT to the RF INPUT

NOTE

Part of the 3 MHz IF amplifier circuit is shown on Service Sheet 6. It will be necessary to utilize both service sheets to verify proper operation of the amplifier after repairs are completed

EQUIPMENT REQUIRED

VECTOR VOLTMETER	HP 8405A
SERVICE KIT	HP 11592A

CONTROL SETTINGS

Unless otherwise specified in individual tests

INPUT ATTENUATION	0 dB
SCAN WIDTH PER DIVISION	20 kHz
LOG REF LEVEL	-10 dBm
SCAN WIDTH	ZERO
BANDWIDTH	300 kHz
LOG LINEAR	10 dB LOG
FREQUENCY	30 MHz

1 12 dB VARIABLE GAIN AMPLIFIER

The gain of the 0 to 12 dB amplifier is controlled by two varactor voltage dividers. One of these voltage dividers controls the level of the degenerative feedback from the output stage to the input stage, the other controls the level of the signal applied to the 3 MHz amplifier output stage. The

LOG REF LEVEL LINEAR SENSITIVITY vernier control, R12 on the front panel controls the gain of the variable gain amplifier. R12 is calibrated by adjustments located on the 3 MHz IF amplifier assembly. R44 calibrates the 12 dB maximum and R51 calibrates the 0 dB minimum.

TEST PROCEDURE **1**

Connect the HP 8405A to TP B (junction of C40/C41) and tune the analyzer for maximum signal level on the meter. Rotating the LINEAR SENSITIVITY vernier control to both extremes should produce typical readings of 30 mV rms to 130 mV rms. If the meter readings are correct, proceed to step **2**.

If the meter readings are not correct, repair the variable gain amplifier and repeat the test.

2 3 MHz IF AMPLIFIER OUTPUT CIRCUIT

The 3 MHz IF amplifier output circuit consists of an emitter follower. The purpose of this stage is to provide isolation between the variable gain IF amplifier and the LC Filter assembly.

TEST PROCEDURE

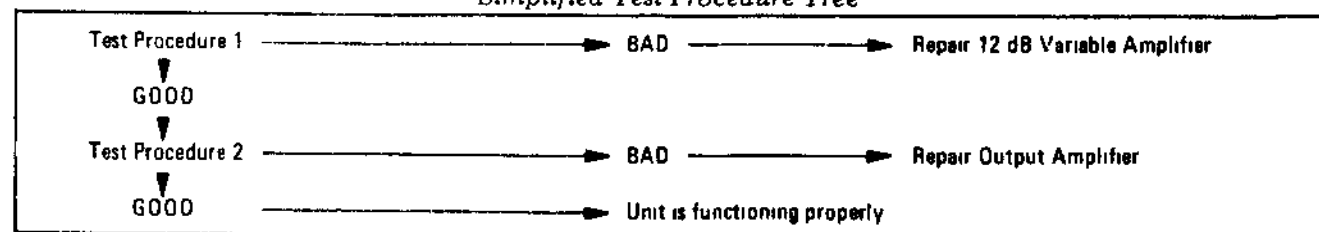
Connect the HP 8405A to TP 4 and tune the analyzer for maximum signal level on the meter. Typical reading is 30 mV rms with LOG/LIN vernier CCW.

If the meter reading is incorrect, check Q10 and associated components.

NOTE

When repairs are required, the tests specified in paragraph 5.36 of Section V should be performed.

Simplified Test Procedure Tree



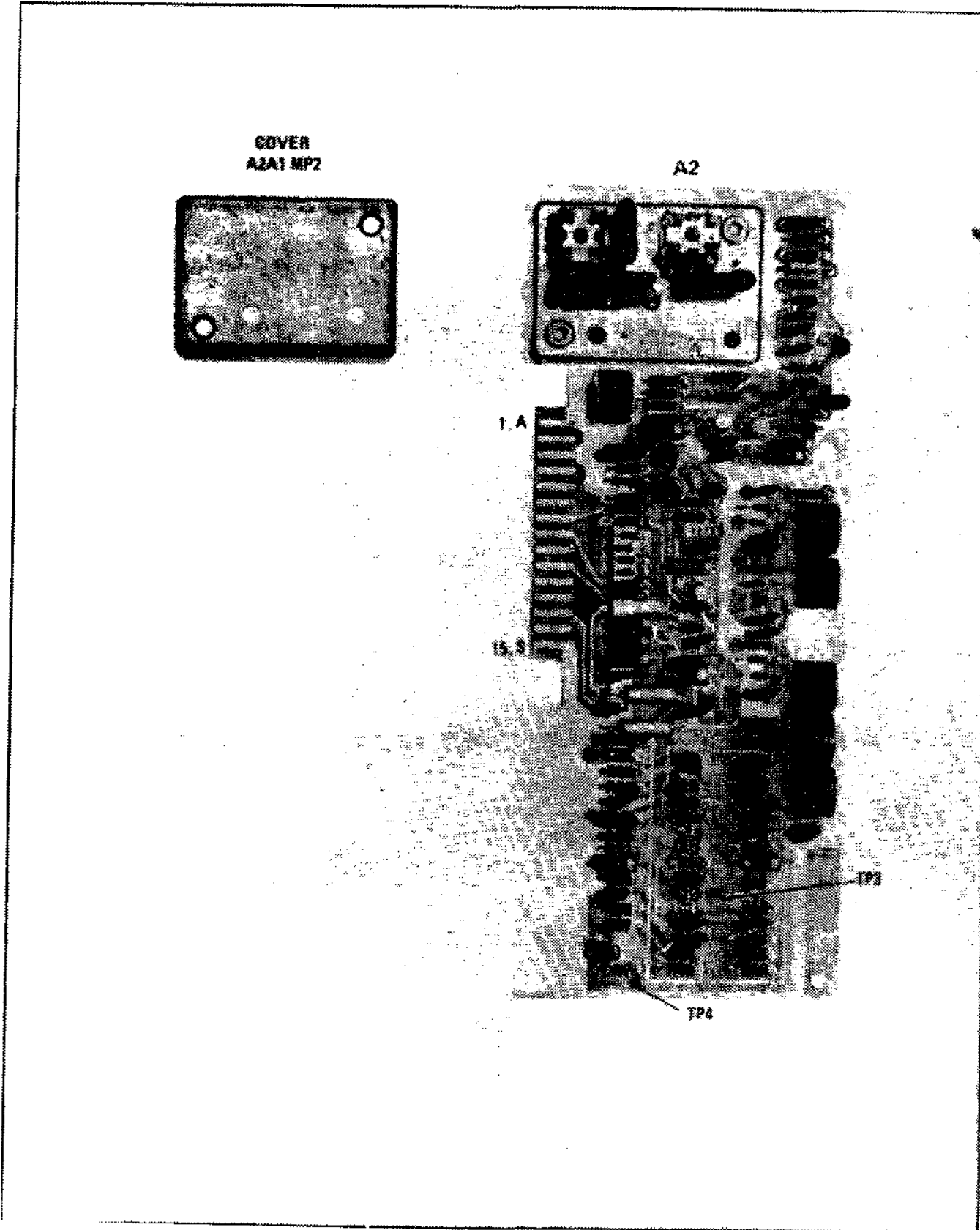
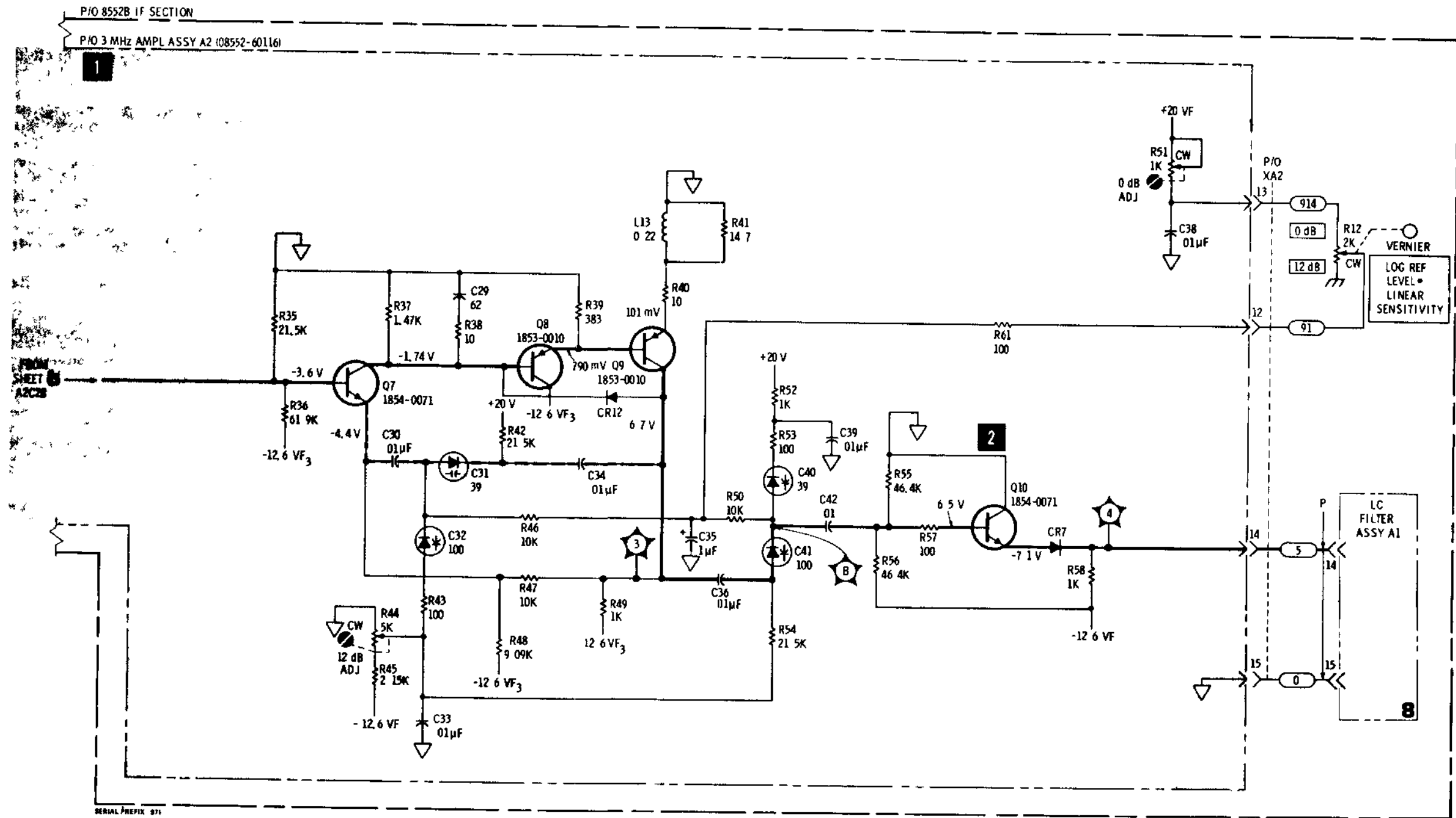


Figure 8-26. P/O 3 MHz Amplifier A2 Component Identification



REFERENCE DESIGNATIONS WITHIN OUTLINED (---) ASSEMBLIES ARE ABBREVIATED. FULL DESIGNATION INCLUDES ASSEMBLY NUMBER # R1 OF ASSEMBLY A1 IS A1R1. DESIGNATIONS OF OTHER COMPONENTS ARE COMPLETE AS SHOWN.

REFERENCE DESIGNATIONS

A2	CHASSIS
C29-36 38-42	R12
CR7 12	XA2
L13 14	
Q7 - 10	
R35 58 61	

†REFER TO TABLE 7 2

Figure 8-27. 3 MHz Amplifier (2 of 2)

SERVICE SHEET 8

It is assumed that the 3 MHz signal from the 3 MHz IF amplifier and dc supply voltages are present and within tolerances, and that the output is missing or incorrect

TROUBLESHOOTING PROCEDURE

When trouble has been isolated to the LC Filter assembly A1, it should be removed and reinstalled using the extender board to provide access to components Connect CAL OUTPUT to amplifier INPUT connect amplifier OUTPUT to RF INPUT

EQUIPMENT REQUIRED

VECTOR VOLTMETER HP 8405A
 SERVICE KIT HP 11592A
 DIGITAL VOLTMETER HP 3440A/3443A
 AMPLIFIER HP 8447A

CONTROL SETTINGS

Unless otherwise specified in individual tests

SCAN WIDTH ZERO
 INPUT ATTENUATION 0 dB
 TUNING STABILIZER On
 SCAN WIDTH PER DIVISION 20 kHz
 LOG REF LEVEL 10 dBm
 LOG LINEAR LOG
 FREQUENCY 30 MHz

LC BANDWIDTH FILTER STAGES

Q4, Q3, Q2 and Q1 with associated components comprise four selectable bandwidth, unity gain stages The four stages are identical except that the fourth stage (Q1) has an adjustable resistor in the feedback path This resistor is adjusted to provide compensation for losses incurred when narrow bandwidths are selected When the 10 kHz bandwidth is selected the input signal is coupled to Q4 thru C1 and R4 When the 30 kHz bandwidth is selected the input signal is coupled to Q4 thru C1 and the parallel combination of R4 and R3 When the 100 kHz bandwidth is selected the signal is coupled to Q4 thru C1/R4 and C2/R5 in parallel When the 300 kHz bandwidth is selected all four stages are bypassed and the signal is coupled directly to the output amplifier Operation of Q3, Q2 and Q1 is identical to that described for Q4

TEST PROCEDURE

With a 30 MHz 10 dBm signal applied to the analyzer RF INPUT, connect the HP 8405A to TP 1, Q1 emitter Tune the analyzer for maximum with the BANDWIDTH switch in the 10 kHz position Typical meter reading is 300 mV rms

Rotate the BANDWIDTH switch to the 30, 100 and 300 kHz positions The meter reading should be approximately the same for bandwidths of 10 30, and 100 kHz and drop to approximately 0 volt in the 300 kHz BANDWIDTH position

If the signal is not present at any of the BANDWIDTH settings the trouble is likely to be in one of the four stages To isolate to a defective stage

SERVICE SHEET 8 (cont d)

check for the presence of the signal at the emitter of Q2, then Q3, then Q4 Signal levels should approximate those specified for Q1 emitter If the cause of the malfunction is not detected, proceed to step 2

If the signal is correct at some, but not all, bandwidth selections, trouble is likely to be in the switching or diode matrix Proceed to step 2

If the correct readings are observed, proceed to step 3

2 SWITCHING AND DIODE MATRIX

When the BANDWIDTH switch is in the 300 kHz position, -12.6 volts are applied to XA1 8 This dc level accomplishes the following

- a Overcomes the positive voltage applied through R42 to forward bias CR9 and CR12 This allows the input signal to be coupled directly to the output amplifier
- b Forward biases CR13 to provide a dc level to the diodes in the Crystal Filter assembly This causes the Crystal Filter circuits to be bypassed
- c Forward biases CR11 to disable the first selectable bandwidth stage Q4
- d Forward biases CR16 to reverse bias CR17 and disconnect the fourth selectable bandwidth stage Q1 from the output stage

When the BANDWIDTH switch is placed in the 100 kHz position, 12.6 volts is applied to XA1 10/L This 12.6 volts is applied to LC Filter diodes and also forward biases CR15 to operate the bypass circuit in the Crystal Filter assembly The diode bias voltage forward biases CR2, CR4, CR6, and CR8 to place resistors R5, R14, R23, and R33 in parallel with those already in the signal path This effectively swamps the LC circuits to modify their Q factor and provide a bandpass of 100 kHz centered at 3 MHz

When the BANDWIDTH switch is placed in the 30 kHz position, 12.6 volts is applied to XA1-12/N This 12.6 volts is applied to LC Filter diodes and also forward biases CR14 to operate the bypass circuit in the Crystal Filter assembly The diode bias voltage forward biases CR1, CR3, CR5 and CR7 to place resistances R3, R11, R20, and R31 in parallel with those already in the signal path This effectively swamps the LC circuits to modify their Q factors and provide a bandpass of 30 kHz centered at 3 MHz

When the BANDWIDTH switch is placed in the 10 kHz position the switching diodes are not used for signal steering and the LC filter provides a 10 kHz bandpass centered at 3 MHz

TEST PROCEDURE

Use the HP 3440A/3443A to check for voltages shown in the chart for XA1 contacts on Service Sheet 9, step 2

If the correct readings are obtained at XA1 pins 6, 12, 10, and 8, check the diode matrix If correct readings are not obtained, check the BANDWIDTH switch, SCAN WIDTH switch, CR1, CR2, CR3, wiring, etc

When correct readings are obtained, recheck step 1 then proceed to step 3

A2
 3 MHz Amplifier (2 of 2)
 SERVICE SHEET 7

SERVICE SHEET 8 (cont d)

3 0 dB, 10 dB, 20 dB STEP AMPLIFIER

Q5, Q6, Q7 and associated components comprise a feedback amplifier which provides unity gain, 10 dB of gain or 20 dB of gain depending on the position of the LOG REF LEVEL control When operated as a unity gain amplifier it provides isolation and a low impedance output to the Crystal Filter assembly Gain of the amplifier is controlled by networks in the emitter of Q5 When switched on by the LOG REF LEVEL assembly, these circuits control the amplifier's negative feedback

TEST PROCEDURE

With a 30 MHz, 10 dBm signal applied to the analyzer RF INPUT, connect the HP 8405A to TP 6 (Q7 e) Tune the analyzer for maximum, rotate the INPUT ATTENUATION and LOG

REF LEVEL controls as indicated below and observe meter readings Signal levels shown are typical

If signal levels are correct, the step amplifier and diode switched networks are functioning properly

If signal levels are incorrect, check Q5/Q6/Q7 and associated components

If the diode enabling dc levels are not present, check the Log Ref Level assembly, Service Sheet 9

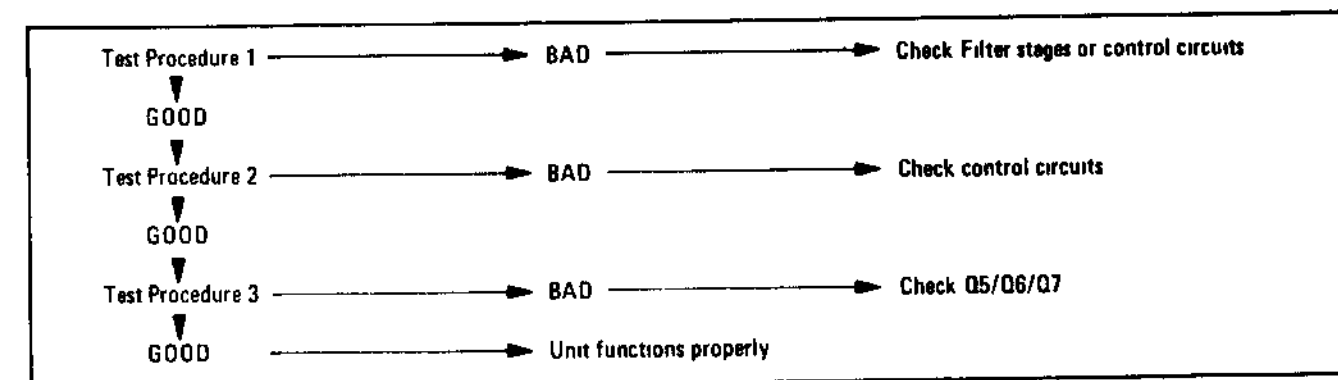
NOTE

When repairs are required the tests specified in paragraphs 5-33 and 5-36 of Section V should be performed

INPUT ATTENUATION	LOG REF LEVEL*	TP6
0 dB	-10 dBm	0 dBm
10 dB	-10 dBm	0 dBm
20 dB	10 dBm	0 dBm

*Read at lif index lamp

Simplified Test Procedure Tree



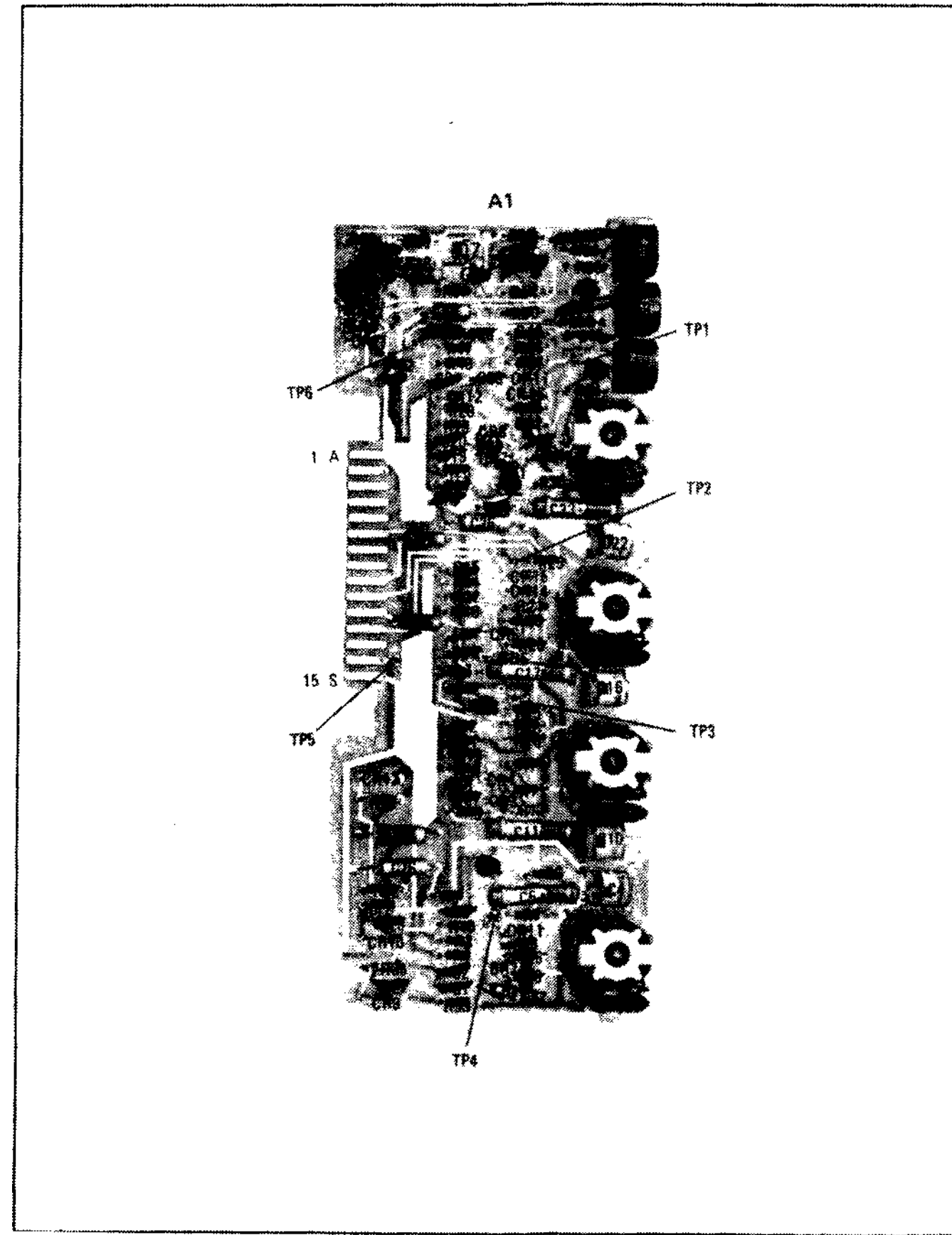


Figure 8-28. LC Filter A1 Component Identification

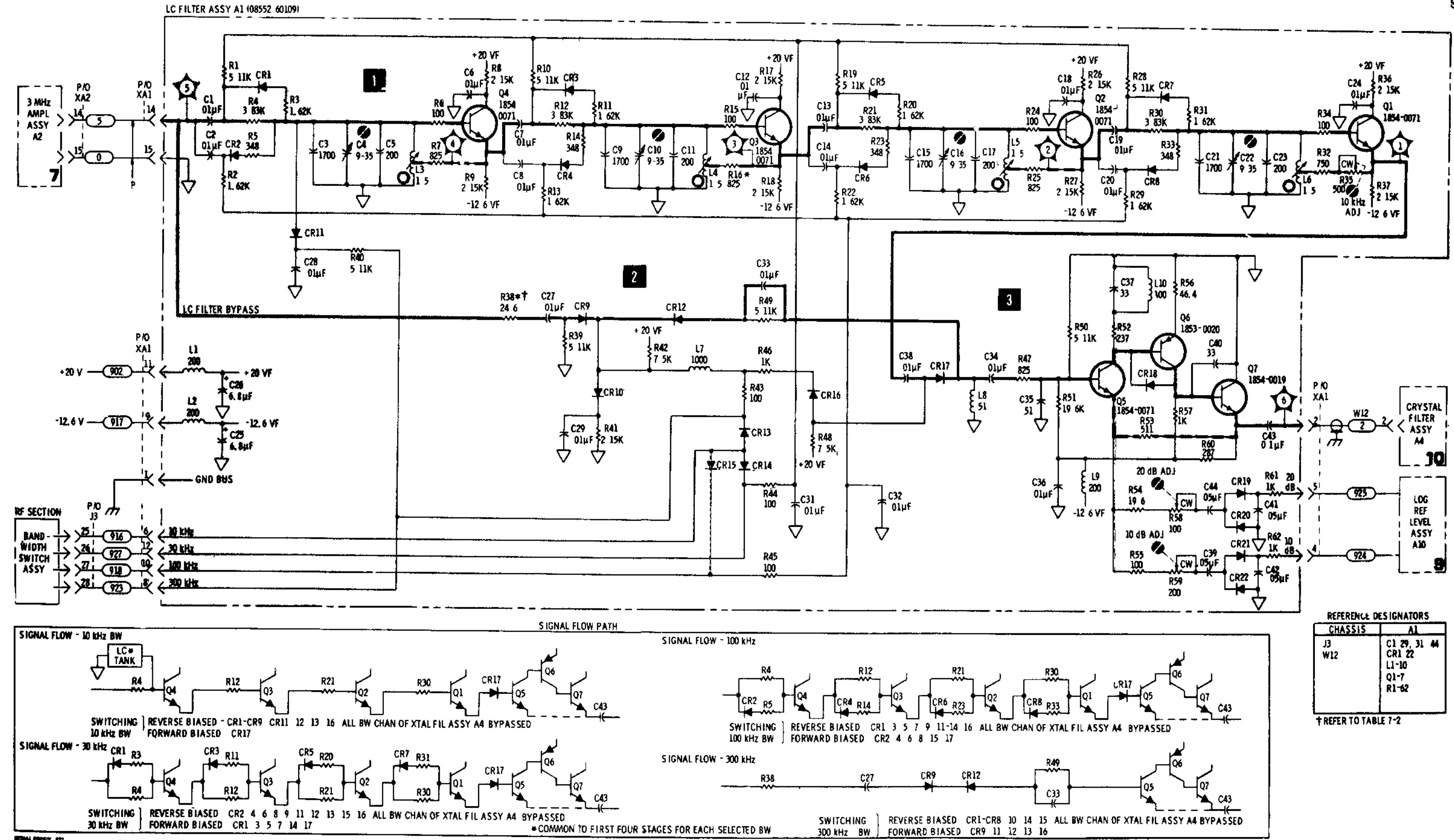


Figure 8-29. LC Bandwidth Filter

SERVICE SHEET 9

Normally malfunctions which occur in the switching circuits will be detected and corrected while troubleshooting circuits shown on Service Sheets 6 and 8

TROUBLESHOOTING PROCEDURE

Since these switches function for voltage switching only, all components and wiring can be checked by monitoring voltage levels at the input connector to the 3 MHz IF amplifier, LC Filter assembly, and the Crystal Filter assembly

EQUIPMENT REQUIRED

SERVICE KIT HP 11592A
DIGITAL VOLTMETER HP 3440A/3443A

CONTROL SETTINGS

As required to check dc levels

1 P/O LOG REFERENCE LEVEL ASSEMBLY

This portion of the log reference level assembly applies +20 volts or 12.6 volts to enable or disable switches to control the gain of stages in the 3 MHz IF amplifier and LC Filter assembly

TEST PROCEDURE 1

Use the HP 3440A/3443A Digital Voltmeter to verify switching voltages at pins of XA1 and XA2 for operation of LOG REF LEVEL switch. The voltages shown in the adjacent chart are typical

If voltages are correct, the switch section is functioning properly

If voltages are not correct, check voltage inputs to switch, switch contacts and wiring

Pin of XA2	Log Ref Level Switch Settings (dBm) *					
	10	20	30	40	50	60
8	+20	+20	+20	12.6	12.6	12.6
10	+20	+20	+20	+20	12.6	12.6
7	+20	+20	+20	+20	+20	12.6
Pin of XA1						
4	+20	12.6	12.6	12.6	12.6	12.6
5	+20	+20	12.6	12.6	12.6	12.6

*Read at left index lamp

2 BANDWIDTH CONTROL

Pins 1-4, 14, and 25-28 of J3 make contact with the RF Section. The RF Section BANDWIDTH switch provides positive or negative voltages to add, bypass or remove bandwidth shaping elements in the signal path

TEST PROCEDURE 2

Use the HP 3440A/3443A Digital Voltmeter to verify switching voltages at pins of XA1 and XA4 for operation of SCAN WIDTH switch and BANDWIDTH switches. The voltages shown in the chart below are typical

If all voltages are correct the portions of the SCAN WIDTH and BANDWIDTH switches shown on Service Sheet 9 are functioning properly

If negative dc levels are missing, check the RF Section

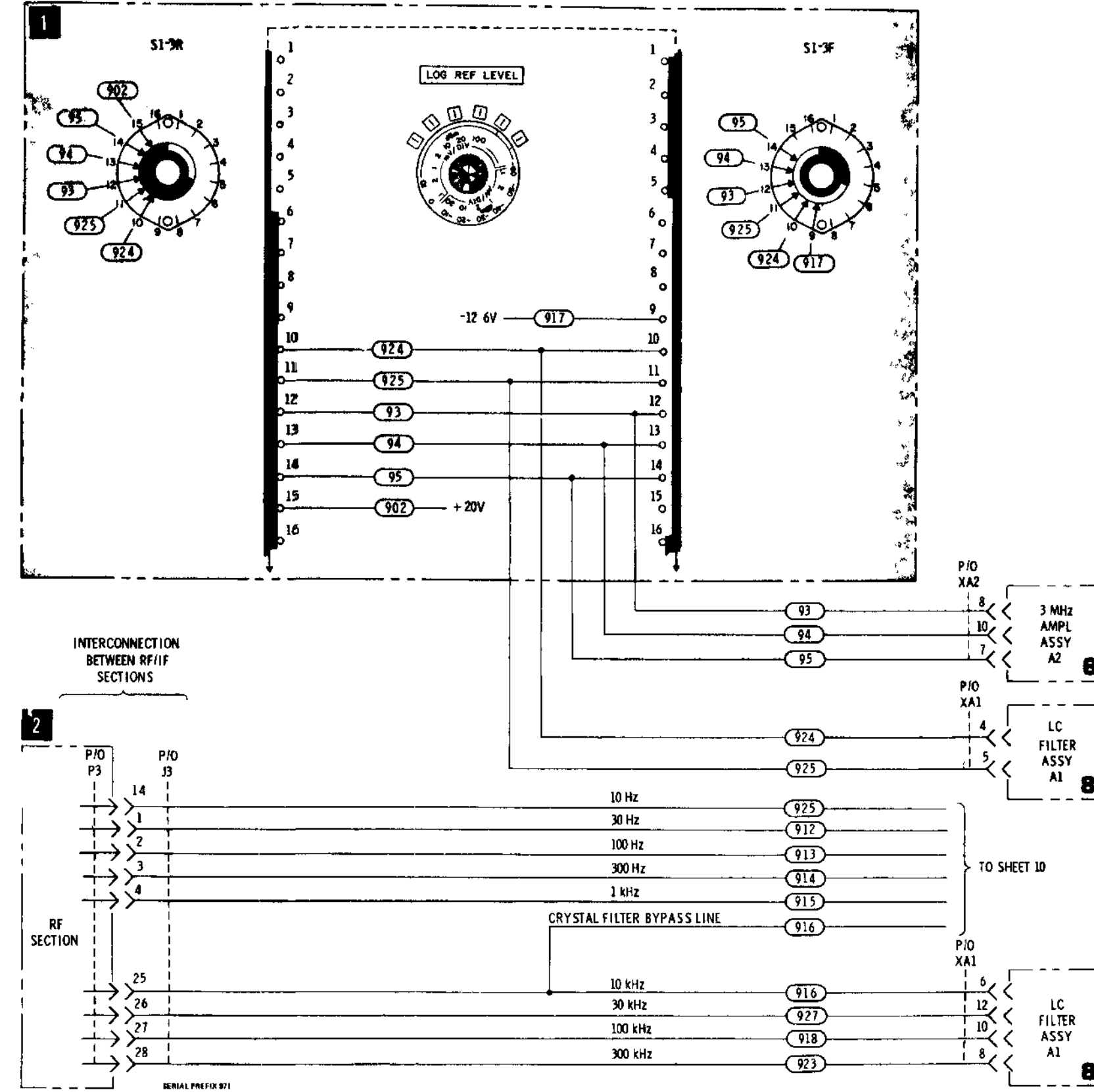
Pin of XA1	Bandwidth Switch Settings (kHz)									
	01/05	03/05	01	03	1	3	10	30	100	300
8*	+5	+5	+5	+5	+5	+5	+5	+5	+5	10
8**	10	10	10	10	10	10	10	10	10	10
10*	+20	+20	+20	+20	+20	+20	+20	+20	+20	+20
10**	+20	+20	+20	+20	+20	+20	+20	+20	3	+20
12*	+20	+20	+20	+20	+20	+20	+20	10	+20	+20
12**	+20	+20	+20	+20	+20	+20	+20	0	+20	+20
6*	+5	+5	+5	+5	+5	+5	10	10	10	10
6**	9	9	9	9	9	9	9	9	9	9

Pin of XA4	01/05	03/05	01	03	1	3	10	30	100	300
13*	+5	+5	+5	+5	+5	+5	9	9	9	9
13**	9	9	9	9	9	9	9	9	9	9
11*	+20	+20	+20	+20	+20	+20	+20	+20	+20	+20
11**	+20	+20	+20	+20	+20	+20	+20	+20	+20	+20
10*	+20	+20	+20	10	+20	+20	+20	+20	+20	+20
10**	+20	+20	+20	+0.8	+20	+20	+20	+20	+20	+20
8*	+20	+20	10	+20	+20	+20	+20	+20	+20	+20
8**	+20	+20	+0.9	+20	+20	+20	+20	+20	+20	+20
7*	10	10	+20	+20	+20	+20	+20	+20	+20	+20
7**	+1.2	+1.2	+20	+20	+20	+20	+20	+20	+20	+20
6*	10	+20	+20	+20	+20	+20	+20	+20	+20	+20
6**	+0.5	+20	+20	+20	+20	+20	+20	+20	+20	+20

*ZERO or PER DIVISION mode

**Preset mode

LOG REF LEVEL ASSY A10 10R552-60134



REFERENCE DESIGNATIONS	
CHASSIS	A10
P/O J3	S1 3F/R

↑ REFER TO TABLE 7-2

Figure 8-30. Amplifier/Filter Control Circuits

SERVICE SHEET 10

It is assumed that the 3 MHz IF signal from the LC Filter and the dc operating voltages are present and correct and that the 3 MHz output is missing or out of tolerance

TROUBLESHOOTING PROCEDURE

When trouble has been isolated to the 3 MHz Crystal Filter assembly, the assembly should be removed and reinstalled using the extender board to provide access to components. Test procedures follow descriptions of individual circuits.

NOTE

Some of the Crystal Filter circuits are shown on Service Sheet 11

EQUIPMENT REQUIRED

SERVICE KIT	HP 11592A
VECTOR VOLTMETER	HP 8405A
DIGITAL VOLTMETER	HP 3440A/3443A

CONTROL SETTINGS

INPUT ATTENUATION	0 dB
BANDWIDTH	3 kHz
LOG REF LEVEL	30 dBm
SCAN WIDTH	ZERO
LOG LINEAR	10 dB LOG
FREQUENCY	30 MHz

1 SELECTABLE BANDWIDTH CRYSTAL FILTER STAGES

Filter stages Y1 3 (and Y4 and 5 on Service Sheet 11) are unity gain, selectable bandwidth crystal filters, their basic bandwidth is 3 kHz. Bandwidth can be narrowed in steps (1, 0.3, 0.1, 0.03 and 0.01 kHz) by enabling resistive networks that are in parallel with each stage's output.

All five stages are basically the same. Q1, Q2 and Q4 comprise a unity gain feedback amplifier with high input impedance at 3 MHz. Q3 and C18 null out the parasitic (holder) capacitance of Y1. L11, L12 and C19 form a tank that tunes out stray capacitance to give Y1 a pure resistive load at 3 MHz. The selectable resistive networks at Y1's output control the filter's bandwidth, by decreasing Y1's output load, without drastically effecting the amplitude of the 3 MHz signal. C30 and 43 (and C57 and 70 on Service Sheet 11) tune the center frequency of crystal stages Y2 5 to equal the center frequency of the first stage.

SERVICE SHEET 10 (cont'd)**TEST PROCEDURE 1**

With CAL OUTPUT connected to RF INPUT, measure the signal level at TP 10 (on Service Sheet 11) at bandwidths of 1 kHz, 0.3 kHz, 0.1 kHz, 0.03 kHz, and 0.01 kHz with the HP 8405A. Readjust FINE TUNE for maximum signal during each measurement. Meter readings should be about 150 mV rms.

NOTE

FINE TUNE adjustment is very critical at narrow bandwidths and extreme care will be required to obtain correct measurements.

If the signal were correct at all bandwidths, proceed to step 3. If the signal were incorrect at some, but not all bandwidths, proceed to step 2.

If the signal were incorrect at all bandwidths, isolate the faulty stage by measuring the signal at TP6 and TP7 (and TP8 and TP9 on Service Sheet 11). Meter readings should be about the same as TP10.

2 DIODE SWITCHING AND BANDWIDTH CONTROL NETWORKS

There are five switching and bandwidth control networks, one for each of the five crystal filter

stages. When the analyzer is operated in the 3 kHz BANDWIDTH mode all of the switching diodes are reverse biased and the inherent characteristics of the filter plus the fixed output load determines the filter bandwidth. The bandwidth is decreased as resistive networks are switched in parallel with the output load of each crystal filter stage. For example, R68 and C54 are switched across the output of Y3 when the BANDWIDTH switch is placed in the 1 kHz position, CR25 is forward biased by -12.6 volts.

TEST PROCEDURE 2

Using the digital voltmeter, check the five control lines. There should be about -12.6 volts on the line selected by the BANDWIDTH switch and about +20 volts on the unselected lines.

If the voltages are incorrect, see Service Sheet 9.

If the voltages are correct, use step 2 and step 1 to find the faulty stage and resistive network.

3 CRYSTAL FILTER BYPASS CIRCUIT

Described on Service Sheet 11.

NOTE

After repairing any of the circuits on the Crystal Filter Assembly, the assembly should be adjusted in accordance with Paragraph 5-34 of Section V.

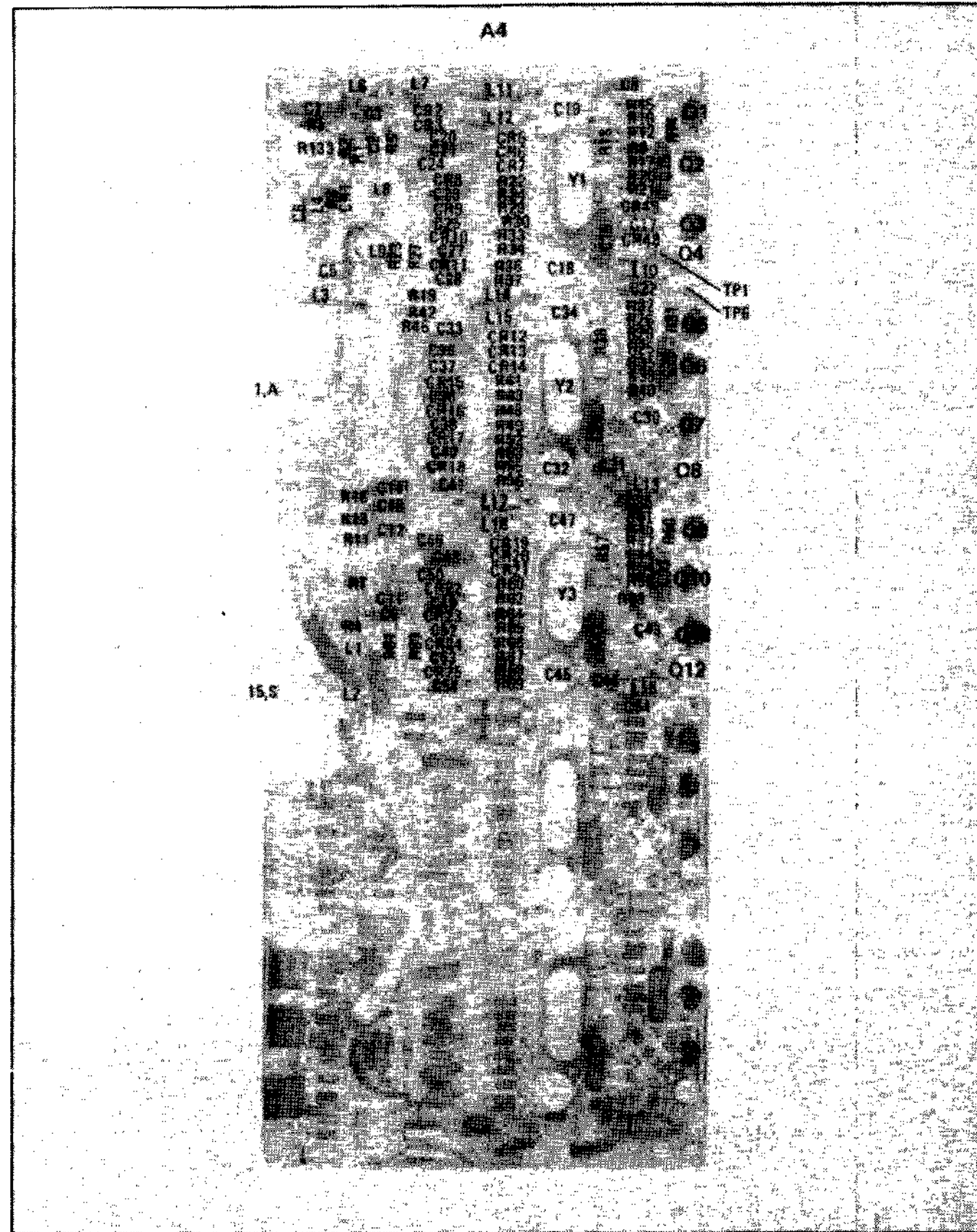


Figure 8-31. P/O Crystal Filter A4 Component Identification

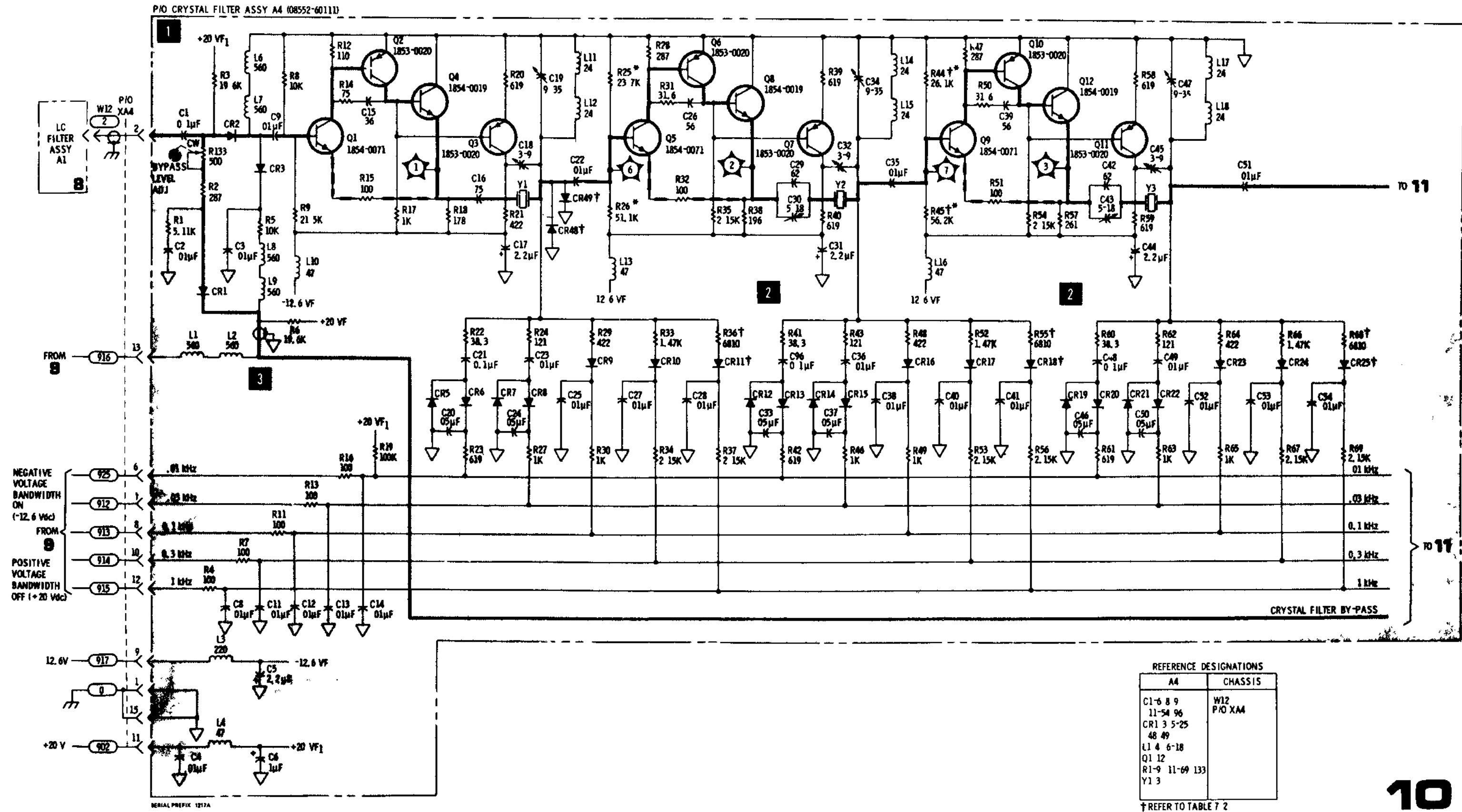


Figure 8-32. Crystal Filter (1 of 2)

SERVICE SHEET 11

It is assumed that the 3 MHz IF signal from the LC Filter and the dc operating voltages are present and correct and that the 3 MHz output is missing or out of tolerance

TROUBLESHOOTING PROCEDURE

When trouble has been isolated to the 3 MHz Crystal Filter assembly, the assembly should be removed and re installed using the extender board to provide access to components Test procedures follow descriptions of individual circuits

NOTE

Some of the Crystal Filter circuits are shown on Service Sheet 10

EQUIPMENT REQUIRED

SERVICE KIT	HP 11592A
VECTOR VOLTMETER	HP 8405A
DIGITAL VOLTMETER	HP 3440A/3443A

CONTROL SETTINGS

INPUT ATTENUATION	0 dB
BANDWIDTH	3 kHz
LOG REF LEVEL	0 dBm
SCAN WIDTH	ZERO
LOG LINEAR	10 dB LOG
FREQUENCY	30 MHz

1 SELECTABLE BANDWIDTH CRYSTAL FILTER STAGES

Described on Service Sheet 10

2 DIODE SWITCHING AND BANDWIDTH CONTROL NETWORKS

Described on Service Sheet 10

3 CRYSTAL FILTER BYPASS CIRCUIT

On bandwidths wider than 3 kHz all five crystal filters are bypassed The path is through R133, R2 and CR1 (on Service Sheet 10) and CR26 to the base of Q21 R133 matches the bypass line's signal amplitude to the filter's signal amplitude CR2 (on Service Sheet 10) and CR38 isolate the filters during bypass

TEST PROCEDURE 3

Connect CAL OUTPUT to RF INPUT and set BANDWIDTH to 3 kHz Measure the signal at TP A (Q21 6) with the HP 8405A, signal level should be about 200 mV rms

If the signal was correct, go to step **4**

If the signal was incorrect, check the bypass circuit

SERVICE SHEET 11 (cont'd)

4 OUTPUT AMPLIFIER GAIN AND COMPENSATION CIRCUIT

The output amplifier compensates for any bandwidth gain differences in the filter stages for bandwidths 0.3 kHz and below Q23 isolates the last filter stage from the compensation amplifier, Q21, 22 and 24 The compensation amplifier is feedback controlled and has a basic gain of four As the narrow bandwidth control networks are switched into the filters, a corresponding feedback control network is switched into the amplifier The legs of the networks are adjustable and the amplitudes of the narrower bandwidths (0.3, 0.1, 0.3 and 0.1 kHz) are referenced to the 3 kHz amplitude

TEST PROCEDURE 4

With CAL OUTPUT connected to RF INPUT, connect the HP 8405A to TP B (XA4 14) and tune the analyzer for maximum with BANDWIDTH set to 3 kHz Meter should read about 900 mV rms Check the 0.3, 0.1, 0.3, and 0.1 kHz bandwidths meter should read the same (peak signal with FINE TUNE at each bandwidth)

5 IF ATTENUATOR (P/O) LOG REFERENCE LEVEL ASSEMBLY A10

The portion of the Log Reference Level assembly shown on Service Sheet 11 is the IF Attenuator

8552B IF signal gain, from the 50 MHz input to the Log Amplifier, is unity when LOG REF LEVEL is set to 10 dBm (read at left index light) When LOG REF LEVEL is rotated clockwise (20 dBm, 30 dBm, etc) 10 dB of IF amplification is added with each step (see Service Sheets 6 through 9) When LOG REF LEVEL is rotated counter clockwise (0 dBm, 10 dBm, etc) 10 dB of attenuation is added with each step by the IF Attenuator

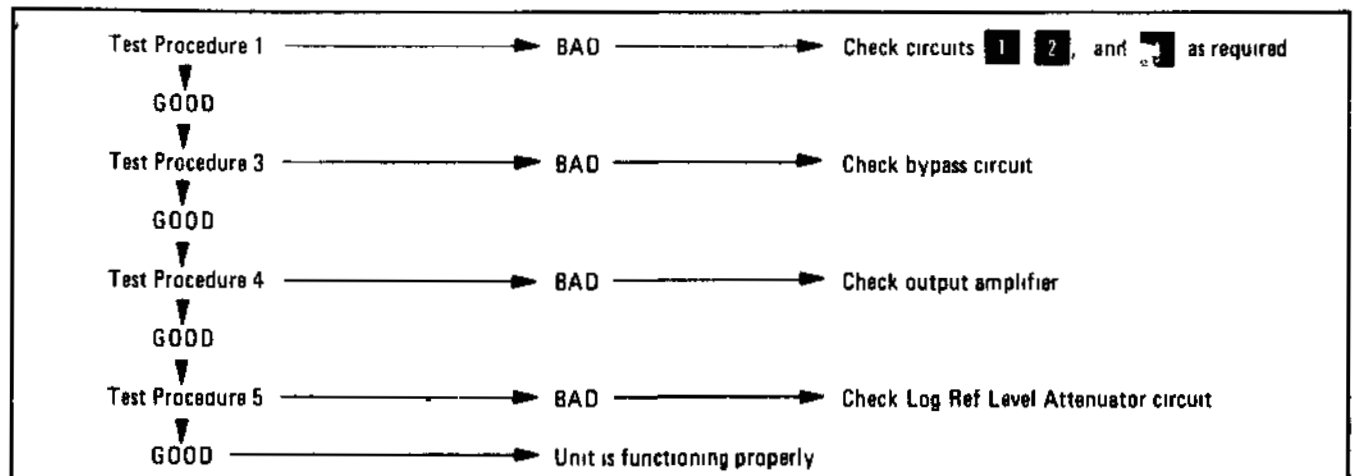
TEST PROCEDURE 5

Place the Crystal Filter assembly back in the chassis and install the Lin/Log Amplifier Assembly A8 on the extender board Use the HP 8405A to monitor the signal level at TP C (XA8 2) Attach CAL OUTPUT to 8447A INPUT and 8447A OUTPUT to RF INPUT and set LOG REF LEVEL to -10 dBm Note signal level and rotate LOG REF LEVEL counterclockwise Signal level should decrease 10 dB with each step

NOTE

After repairing any of the circuits on the Crystal Filter Assembly, the assembly should be adjusted in accordance with paragraph 5-34 of Section V

Simplified Test Procedure Tree



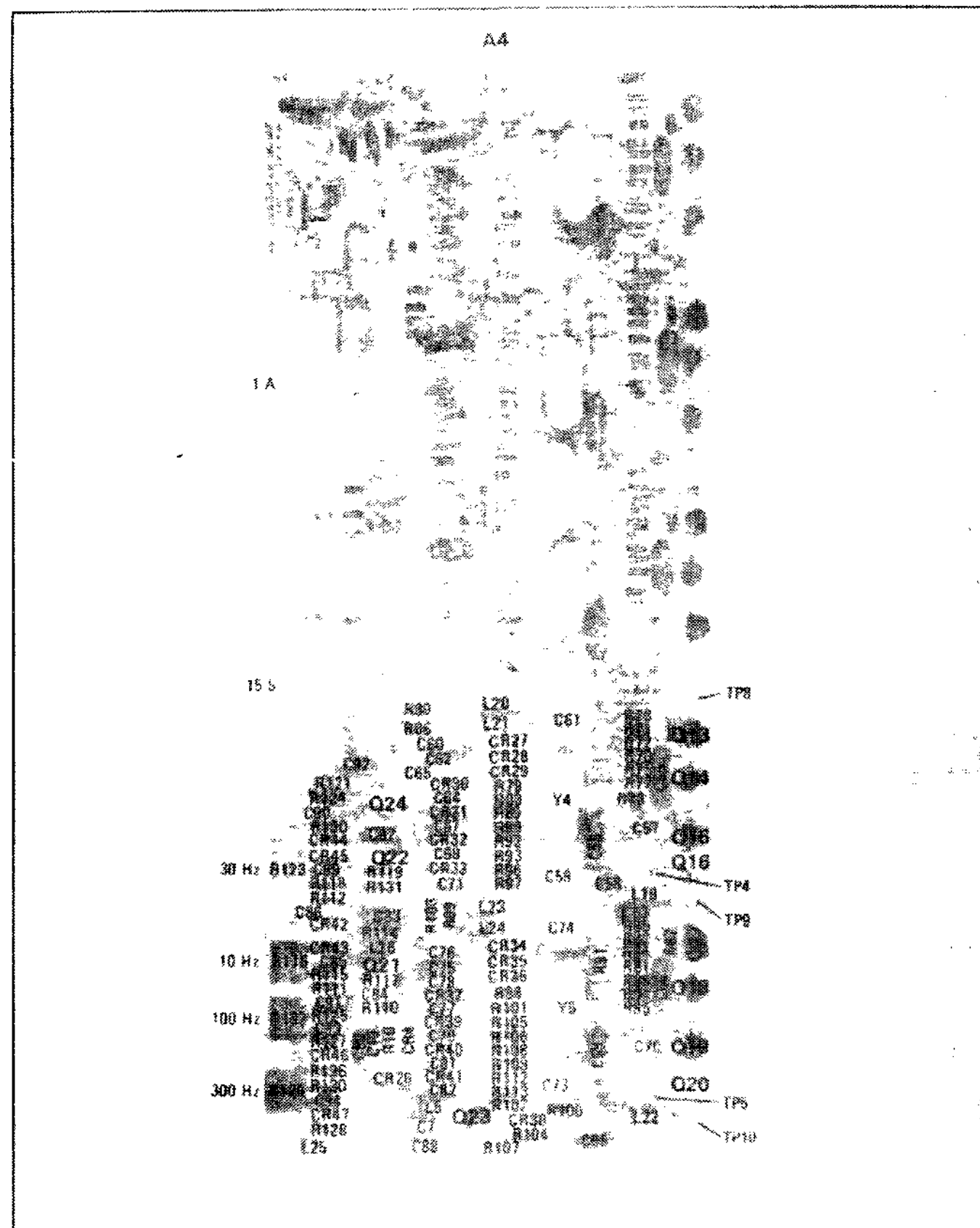
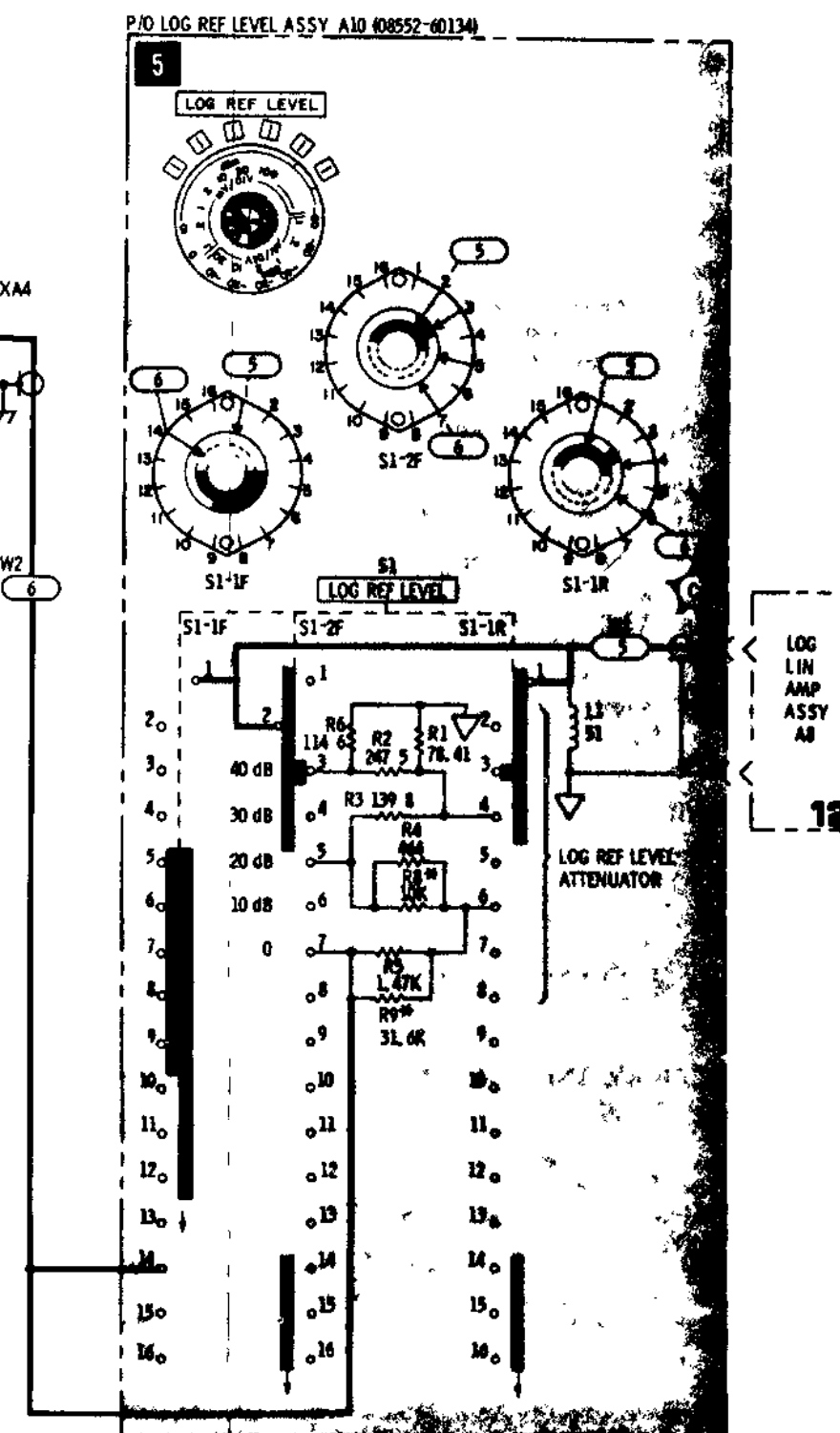
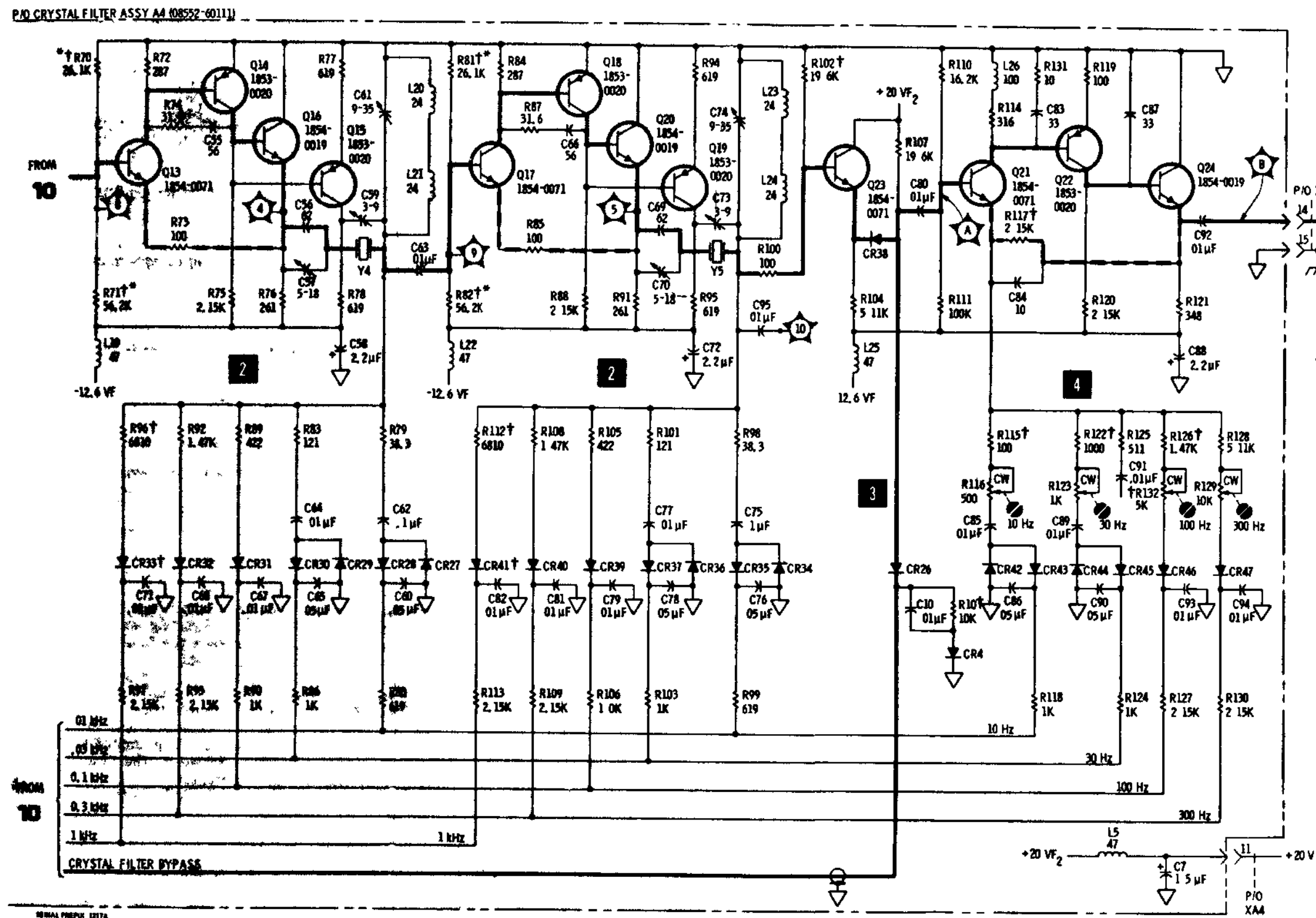


Figure 8-33. P/O Crystal Filter A4 Component Identification



REFERENCE DESIGNATORS

CHASSIS	A4	A10
W1	C7 10 55-95	Q13-24
W2	CR4 26-47 L5 19-26	R10 70-132 Y4-5
		R1-6 8-9

† REFER TO TABLE 7-2

Figure 8-34. Crystal Filter (2 of 2)

SERVICE SHEET 12

It is assumed that the 3 MHz signal from the crystal filter and dc operating voltages are present and correct, and that the output signal is not present or is out of tolerance

TROUBLESHOOTING PROCEDURE

When trouble has been isolated to the Log/Lin Amplifier assembly, A8, it should be removed from the chassis and re installed on the extender board to provide access to components After repairing the assembly the procedures specified in paragraphs 5 30 and 5 31 of Section V should be performed

NOTE

Since parts of the circuit appear on Service Sheet 13, Service Sheets 12 and 13 should be used jointly in troubleshooting the assembly

EQUIPMENT REQUIRED

SERVICE KIT	HP 11592A
VECTOR VOLTMETER	HP 8405A
SIGNAL GENERATOR	HP 608F

CONTROL SETTINGS

Unless otherwise specified in individual tests

SCAN WIDTH	ZERO
INPUT ATTENUATION	0 dB
SCAN MODE	INT
FREQUENCY	30 MHz
BANDWIDTH	300 kHz
SCAN TRIGGER	AUTO
LOG LINEAR	10 dB LOG

1 LIN/LOG AMPLIFIER AND CONTROL CIRCUITS (General)

This general discussion covers operation of circuits shown schematically on Service Sheets 12 and 13 The assembly is designed to provide one of two different types of video outputs Most of the circuit elements are common to both modes of operation

When the analyzer is operated in the LINEAR mode the Lin/Log amplifier provides a video output which varies in amplitude in direct proportion to the amplitude of the input rf voltage The CRT display is calibrated in terms of volts (mV or μ V)

When the analyzer is operated in the LOG mode the output video signal has a logarithmic relationship to the input rf signal The CRT display is calibrated in terms of power (dBm)

2 EMITTER FOLLOWER INPUT STAGE Q24

Emitter follower Q24 provides a high impedance input which prevents loading the output of the crystal filter assembly and also provides isolation between the input and the first Lin/Log amplifier

SERVICE SHEET 12 (cont'd)

TEST PROCEDURE 2

With a 30 MHz, 60 dBm signal from the HP 608F connected to the analyzer RF INPUT, connect the HP 8405A to TP A (Q24 e) and tune the analyzer frequency for maximum meter deflection with the LOG REF LEVEL control set to 60 dBm

Typical meter reading is 608 mV rms If correct reading is obtained, proceed to step 3

If correct reading is not obtained, check Q24 and associated components If Q24 and associated components check good and signal is still not present, check Q25 (see step 3)

3 LIN/LOG AMPLIFIERS IN LOG MODE

When the analyzer is operated in the LOG mode the Lin/Log amplifier has eight cascaded amplifier stages The first seven amplifiers consist of a differential amplifier followed by an emitter follower The output of the eighth differential amplifier is applied to the summing amplifier Q26 (see step 4 on Service Sheet 13)

Operation of the first seven cascaded amplifier stages is identical, so only the first stage will be described The output of the differential amplifier is split and applied to the emitter follower and, at a much lower level, to the base of the output half of the differential amplifier in the following stage A 100 ohm resistor (R5) from the low level signal path to ground prevents parasitic oscillation The emitter follower output of each stage provides the input signal to the following stage and signal currents to the summing bus

The logarithmic relationship of the output signal to the input signal is provided by controlled limiting and saturation (in 10 dB steps) of the eight amplifiers in reverse order A relatively low level signal (approximately 70 dBm) will saturate the last amplifier stage An increase of 10 dB in the input signal will cause the seventh stage to saturate Preceding amplifier stages saturate at each 10 dB increase in the rf input Finally the first amplifier saturates when the input signal is equal to the LOG REF LEVEL control setting as referenced to the lit index light

The gain of each stage is 9 dB When the last stage is saturated the total output of the eight stages consists of the output of the last stage plus the summing bus currents from all preceding stages As preceding stages saturate each supplies a maximum of 3 mA to the summing bus This corresponds to a 10 dB increase in power input In this manner, the combination of sequential amplifier limiting and current summing provides amplitude compression to force the output signal to remain logarithmically proportional to the input signal

The simplified diagram below shows signal paths and major circuit components

TEST PROCEDURE 3

Connect the output of the HP 608F to the analyzer RF INPUT and adjust the signal generator for a 30 MHz, 60 dBm signal Connect the HP 8405A to TP 1, set the analyzer LOG REF LEVEL control to 30 dBm, and tune the analyzer frequency for maximum signal level on the HP 8405A Typical level is 58 mV rms

SERVICE SHEET 12 (cont'd)

If the signal is not present check Q23, Q1, Q2 and associated components

If the correct signal is present, disconnect the HP 8405A and connect it to TP B (Q26-c Service Sheet 13) Rotate the LOG REF LEVEL control and observe the meter readings Note that readings change by approximately 6 mV rms at adjacent steps

If readings are correct, the Log portion of the Lin/Log amplifiers and the summing circuits are functioning properly

If the readings are not correct isolate the defective stage by checking the signal level at TP2, TP3, etc, until the defective stage is found After repairs are made, repeat the test

If correct readings are obtained, proceed to step 4

If not, proceed to following steps on Service Sheets 12 and 13 and repeat this step after repairs are made

4 SUMMING AND ISOLATION AMPLIFIERS

Q25 sums the output current from the input emitter follower and the output currents from the first four stages of the Lin/Log amplifier It also provides isolation between the first four Lin/Log stages and following circuits

Q26 (shown in Service Sheet 13) sums the output from Q25, the output currents from the fifth, sixth and seventh Lin/Log amplifiers and the signal output from the last Lin/Log amplifier It also provides isolation between the Lin/Log amplifiers and the linear detector

TEST PROCEDURE 4

Connect the output of the HP 608F to the analyzer RF INPUT and adjust the signal generator for

SERVICE SHEET 12 (cont'd)

a 30 MHz, 60 dBm signal output Connect the HP 8405A to TP C (Q25 e), set the analyzer LOG REF LEVEL control to 60 dBm, and tune the analyzer for maximum signal level on the HP 8405A Typical level is 9 mV rms

Check the signal level at TP D (Q25-c) with the HP 8405A Typical level is 33 mV rms

Check the signal level at TP B (Q26 c Service Sheet 13) with the HP 8405A Typical level is 50 mV rms

If correct readings are obtained the summing amplifiers are functioning properly

If readings are incorrect check Q25, Q26 and associated components

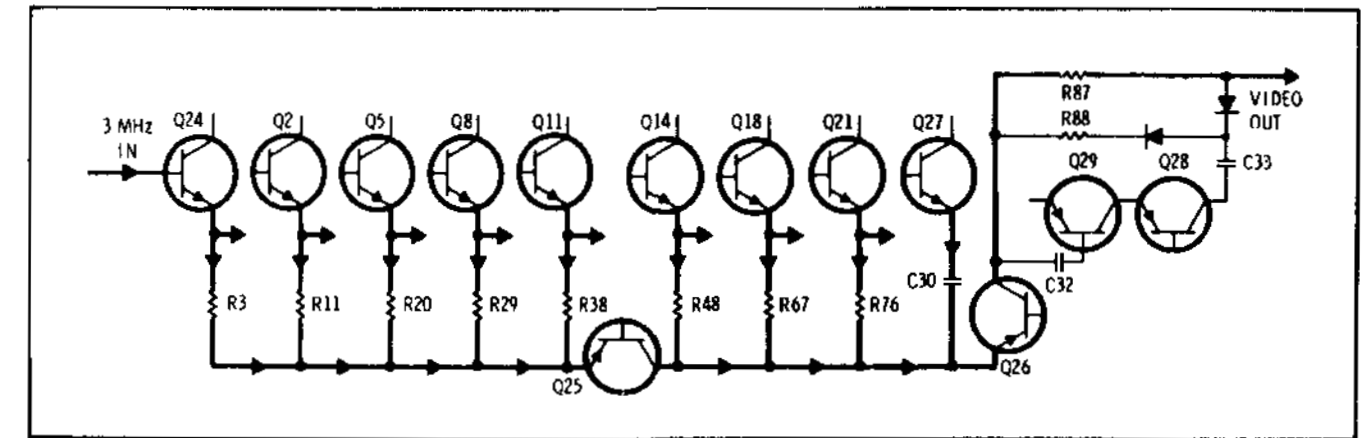
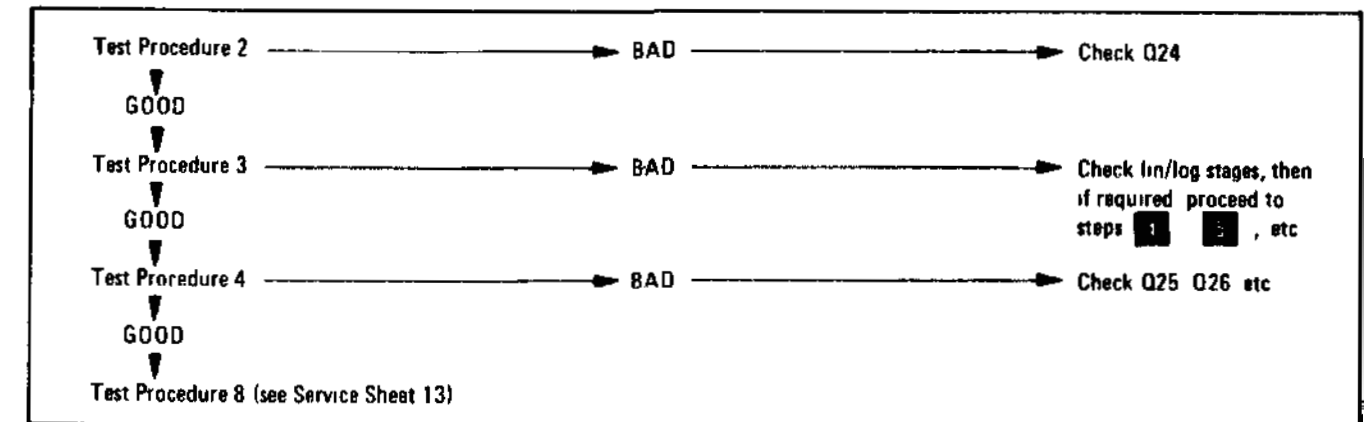


Figure 8-35. Simplified Diagram - Log Mode of Operation

Simplified Test Procedure Tree



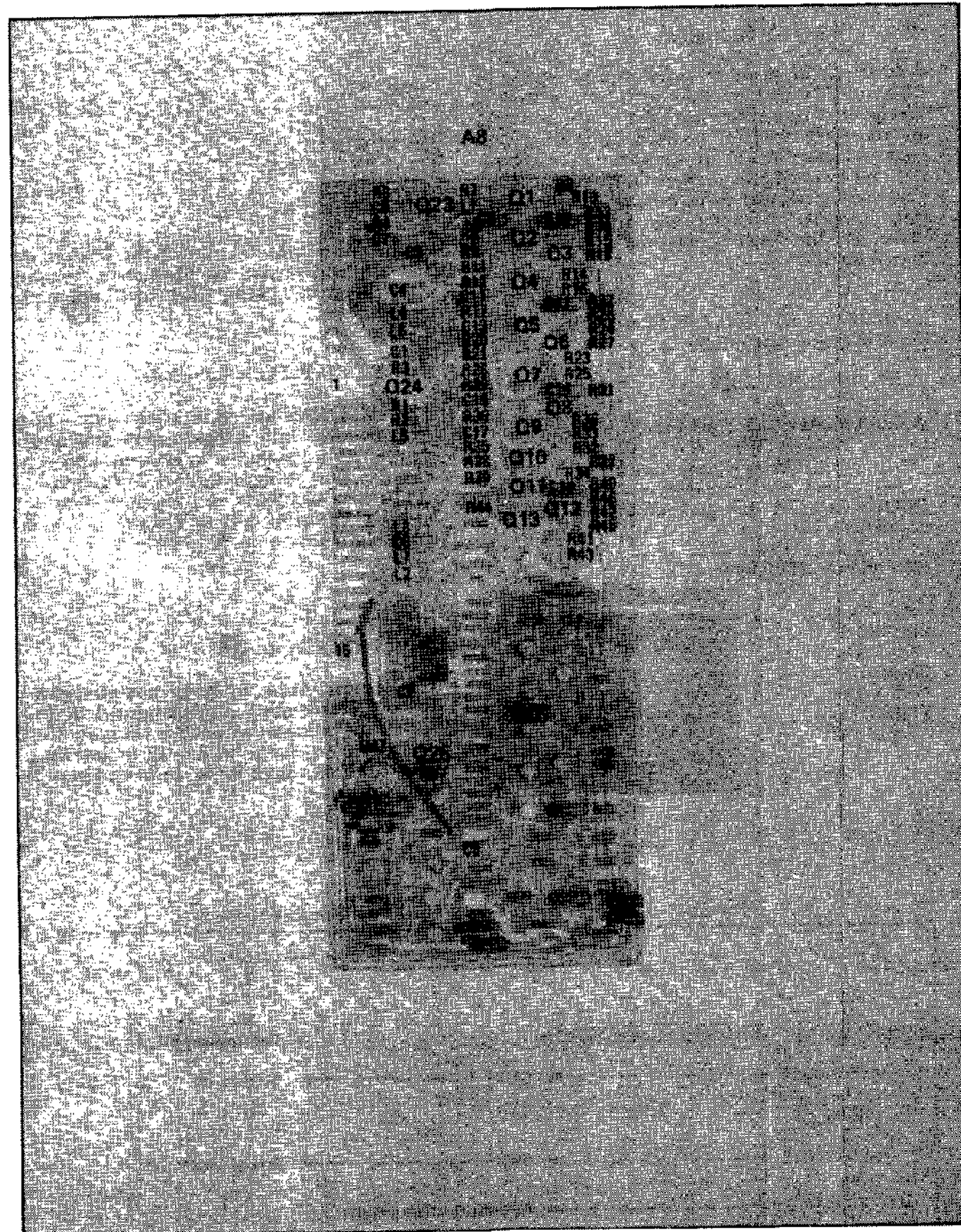


Figure 8-36. P/O Log/Linear Amplifier A8 Component Identification

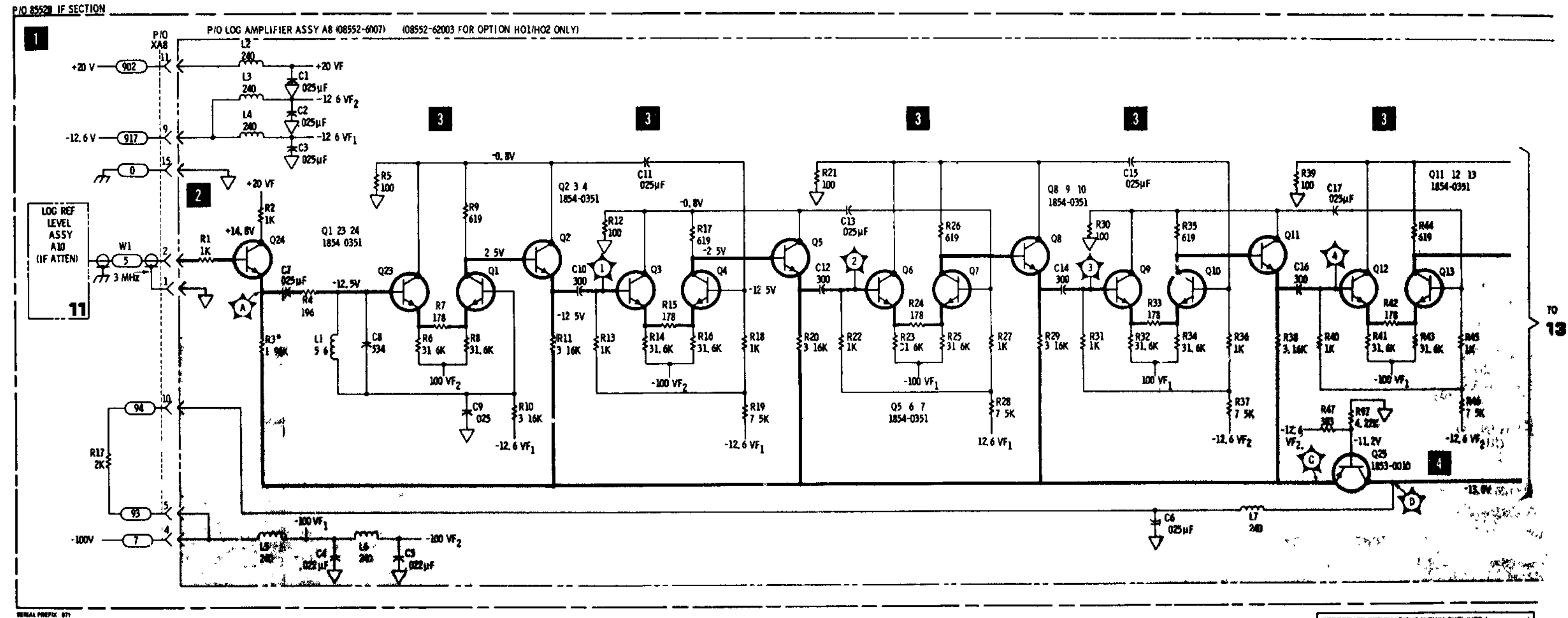


Figure 8-37. Log/Linear Amplifier (1 of 2)

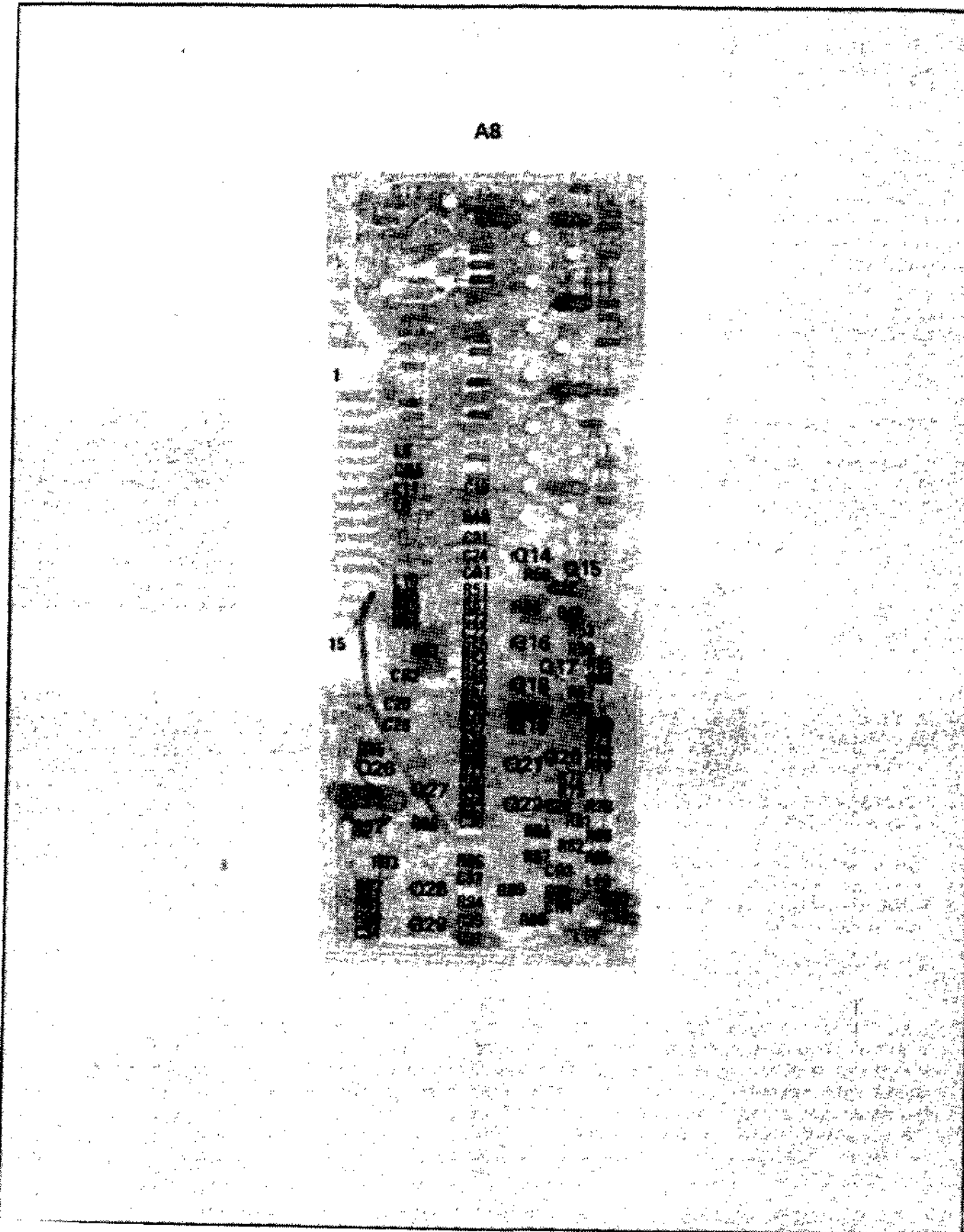


Figure 8-38. P/O Log/Linear Amplifier A8 Component Identification

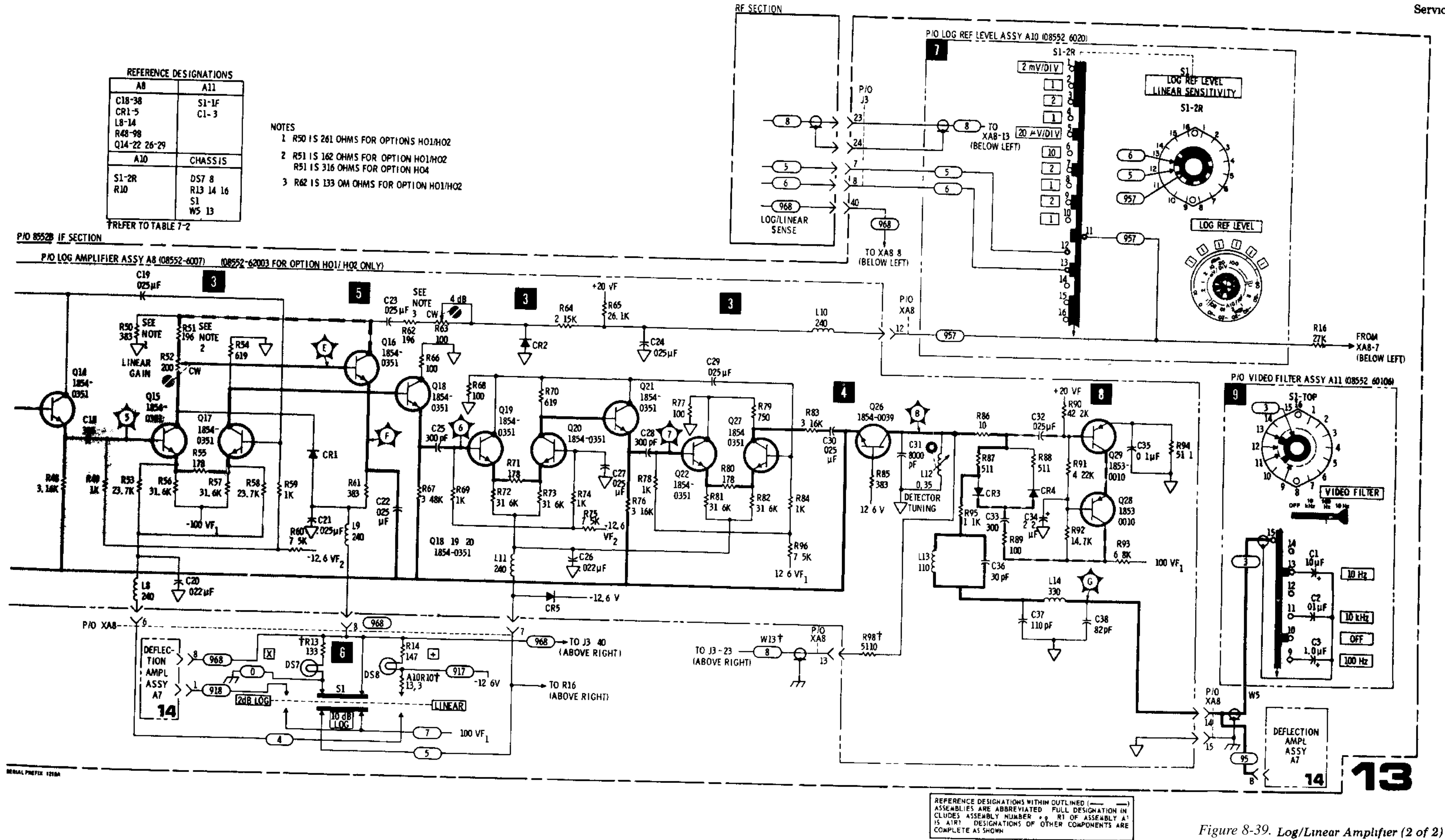


Figure 8-39. Log/Linear Amplifier (2 of 2)
8-45

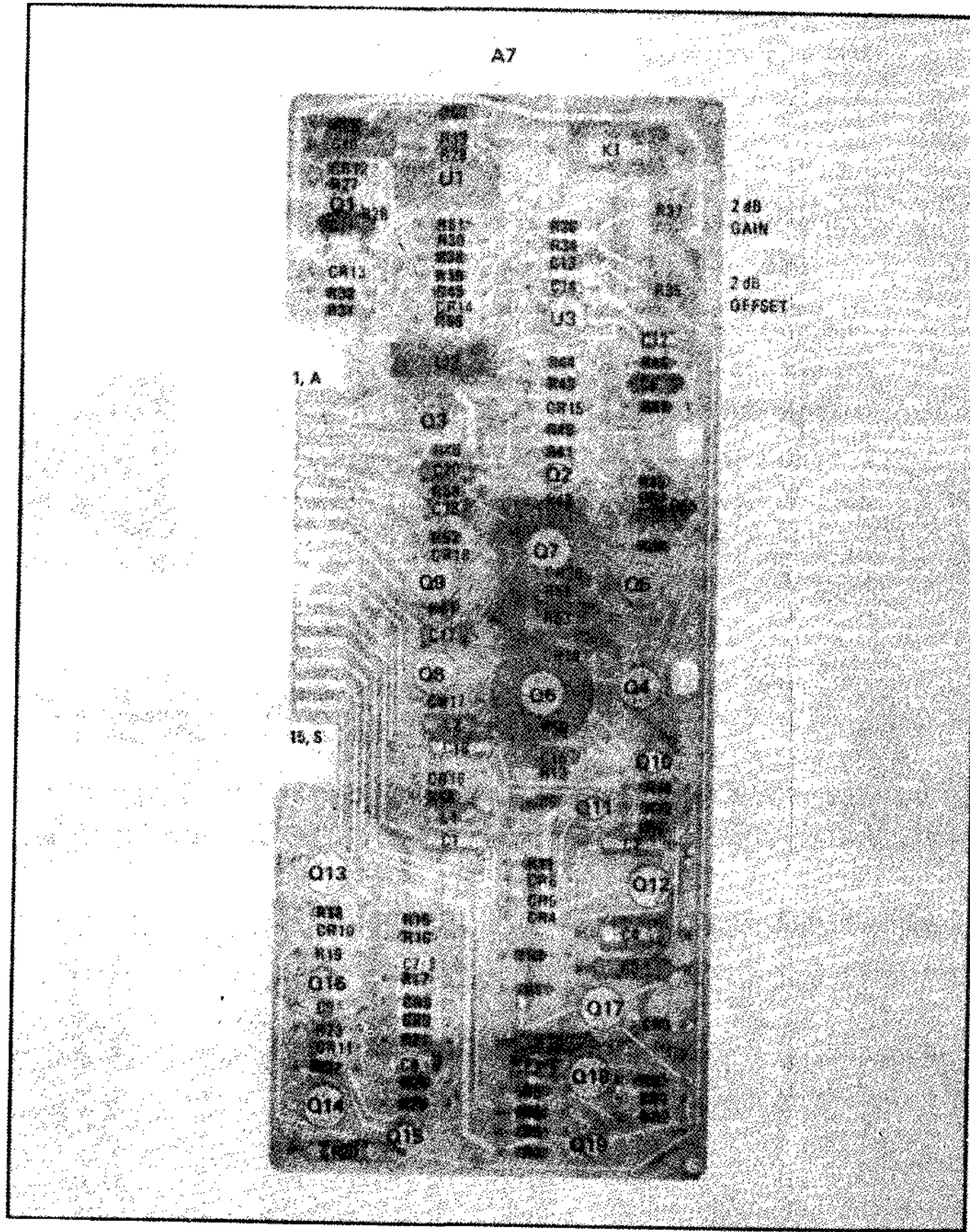


Figure 8-40 Deflection Amplifier A7 Component Identification

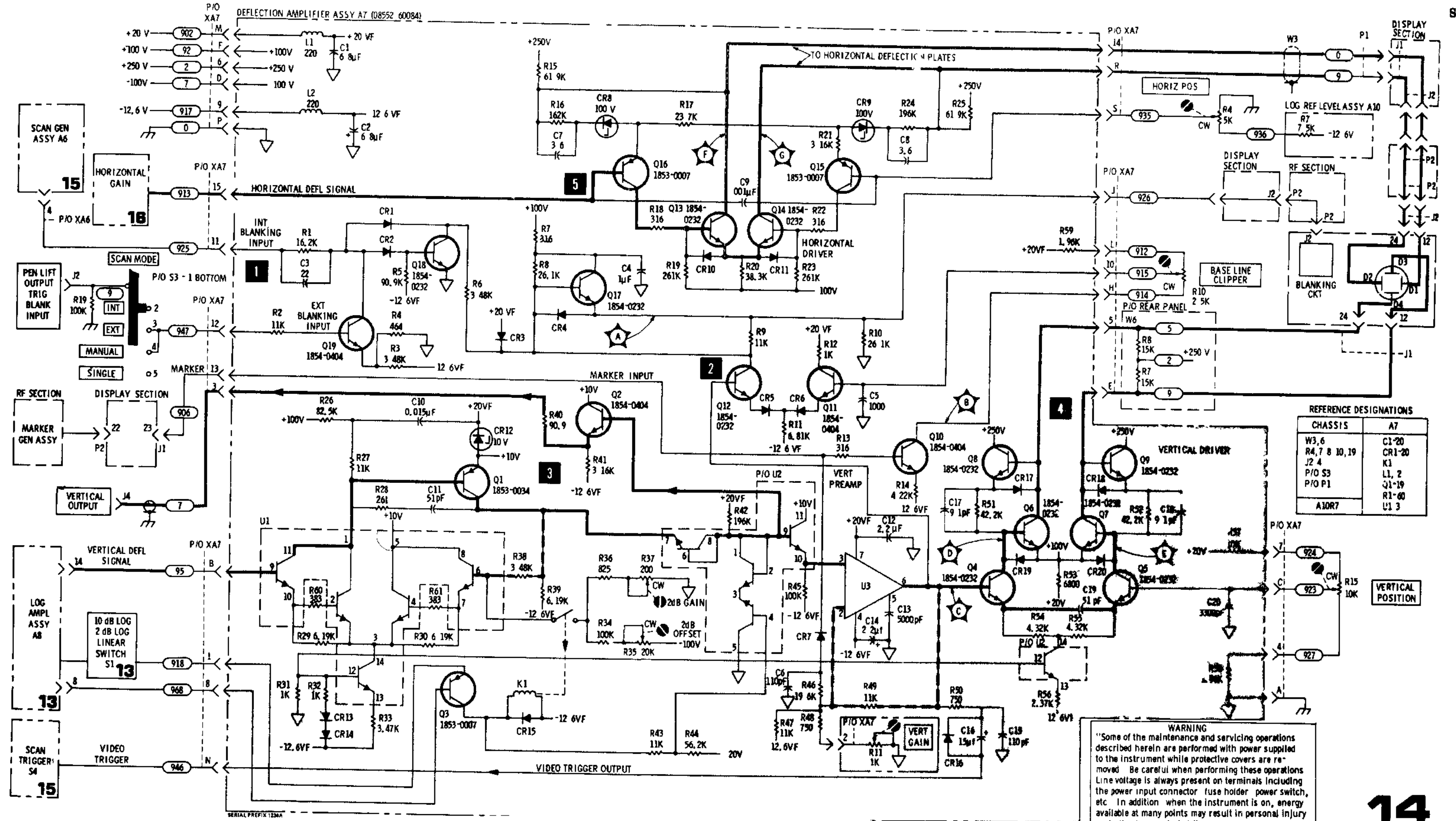


Figure 8-41 Deflection Amplifier

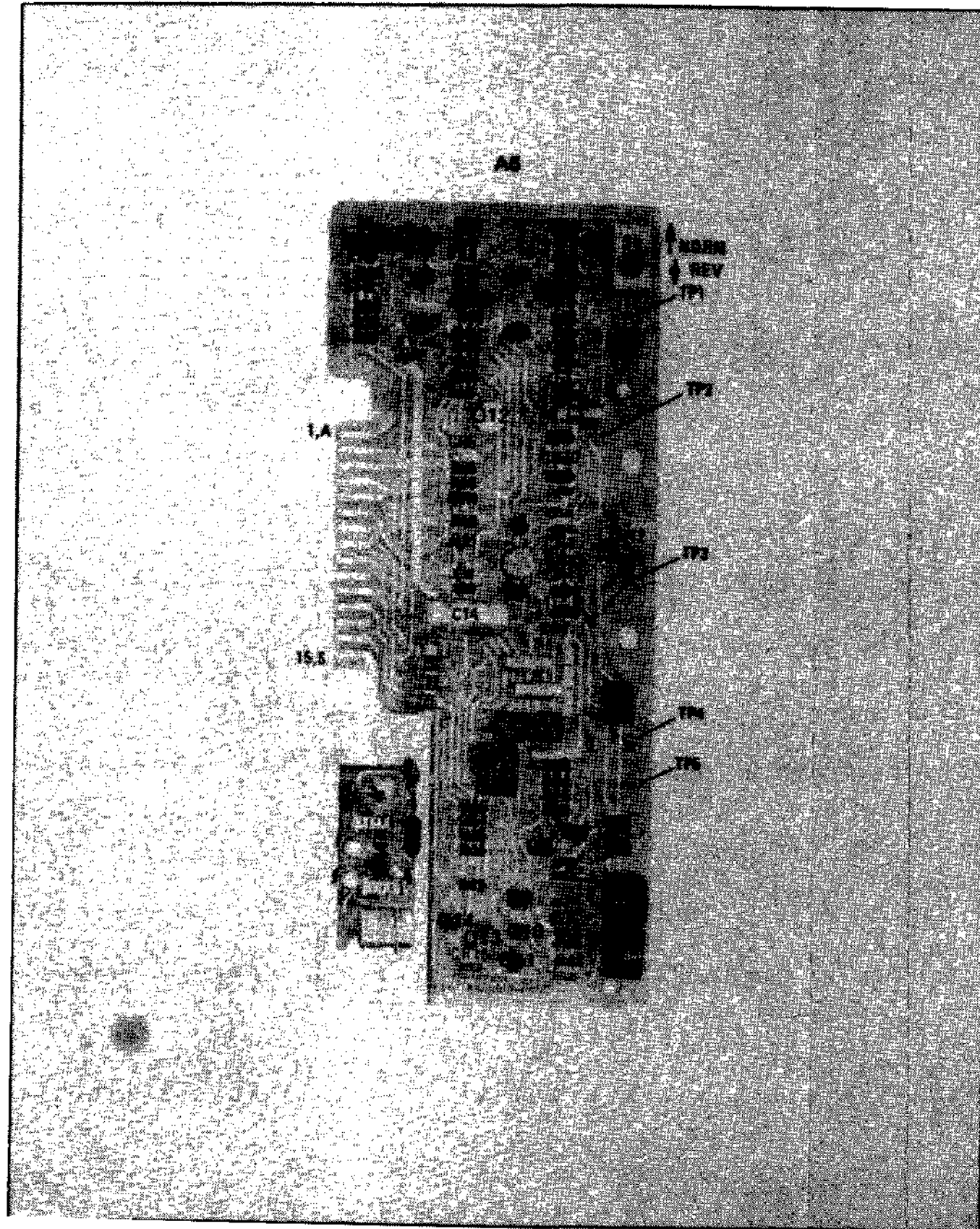


Figure 8-42. P/O Scan Generator A6 Component Identification

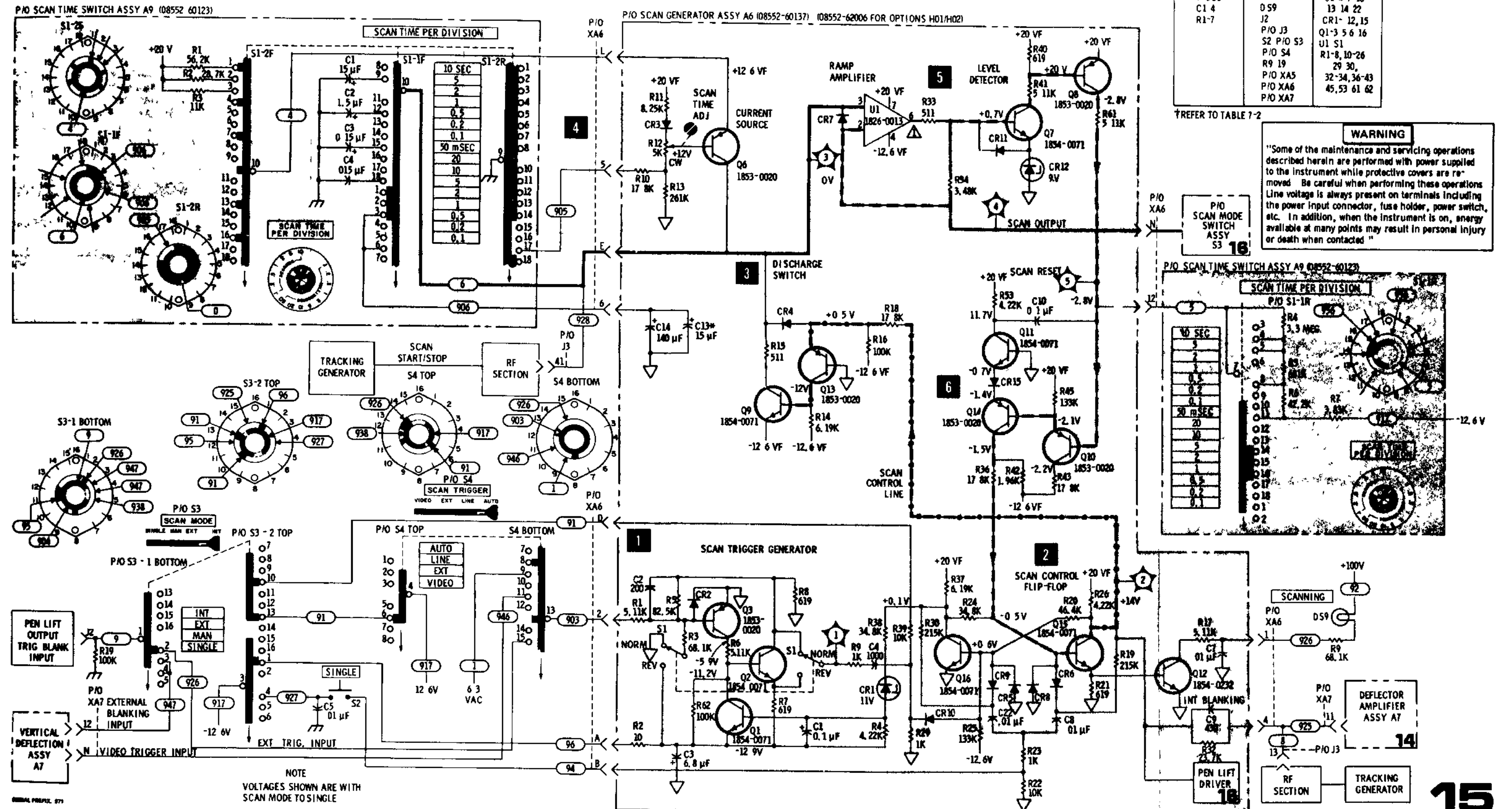


Figure 8-43. Scan Generator and Trigger Circuits

SERVICE SHEET 16

It is assumed that all dc voltages and the waveforms at TP 2 and 4 (see Service Sheet 15) are present and correct

TROUBLESHOOTING PROCEDURE

When trouble has been isolated to the scan driver or pen lift driver circuits, the Scan Generator Assembly A6 should be removed from the chassis and reinstalled using the extender board to provide easy access to components. Troubleshooting information follows the technical discussion of circuit operation

EQUIPMENT REQUIRED

OSCILLOSCOPE HP 180A/1801A/1821A
SERVICE KIT HP 11592A
DIGITAL VOLTMETER HP 3440A/3443A

CONTROL SETTINGS

Specified in individual tests

1 SCAN DRIVER

The scan driver, U2, amplifies a generated scan and feeds it to the Scan Mode switch, the RF Section, and the Deflection Amplifier. With SCAN MODE in INT or SINGLE, the scan is generated by the Scan Generator (see Service Sheet 15), with SCAN MODE in EXT, the scan is provided by an external source. When SCAN MODE is in MANUAL, the conduction of U2 is determined by the position of R20, MANUAL SCAN knob

TEST PROCEDURE

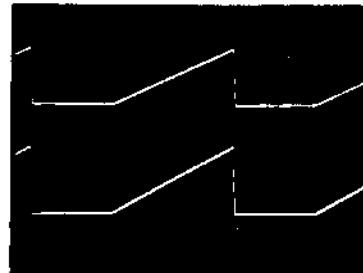
Connect the oscilloscope Channel A probe to XA6 pin P and Channel B probe to XA6 pin 14 and observe the waveforms

CONTROL SETTINGS

Analyzer
 SCAN MODE INT
 SCAN TRIGGER LINE
 SCAN TIME PER DIVISION 2 MILLISECONDS

Oscilloscope

Both Channels
 0.5V/Div
 5 msec/Div
 10:1 probes



If both waveforms are bad, check S3, SCAN MODE switch. If the amplifier's input was good and the output was bad, check U2 and associated circuitry

SERVICE SHEET 16 (cont'd)

2 PEN LIFT DRIVER

During the scan ramp, Q4 is off and Q5 is on and the pen lift driver's output is approximately 0V. When the scan stops, and as long as Q15 (on Service Sheet 15) is off, Q4 turns on, turning off Q5 which puts approximately +14V at the driver output

When the driver output goes to 0V, CR13 and CR14 prevent the pen lift coil counter EMF voltage from damaging Q5. The table below describes the function of J2 for the various positions of SCAN MODE and SCAN TRIGGER switches

SCAN TRIGGER Switch	SCAN MODE Switch			
	INT	EXT	MAN	SINGLE
AUTO	PEN LIFT OUT	EXTERNAL BLANKING IN	EXTERNAL BLANKING IN	PEN LIFT OUT
LINE	PEN LIFT OUT	EXTERNAL BLANKING IN	EXTERNAL BLANKING IN	PEN LIFT OUT
EXT	EXTERNAL TRIGGER IN	EXTERNAL BLANKING IN	EXTERNAL BLANKING IN	PEN LIFT OUT
VIDEO	PEN LIFT OUT	EXTERNAL BLANKING IN	EXTERNAL BLANKING IN	PEN LIFT OUT

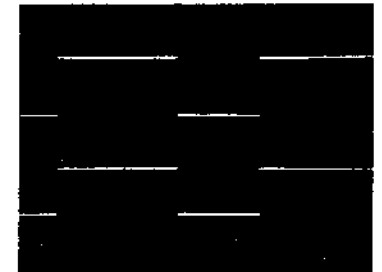
TEST PROCEDURE

Connect the oscilloscope Channel A probe to TP 2 and Channel B probe to XA6 pin C and observe the waveforms

CONTROL SETTINGS

Analyzer
 SCAN MODE INT
 SCAN TRIGGER LINE
 SCAN TIME PER DIVISION 2 MILLISECONDS

Oscilloscope
 Both channels
 1V/Div
 5 msec/Div
 10:1 probes



If the output at XA6-C is BAD, check Q4, Q5 and associated circuitry

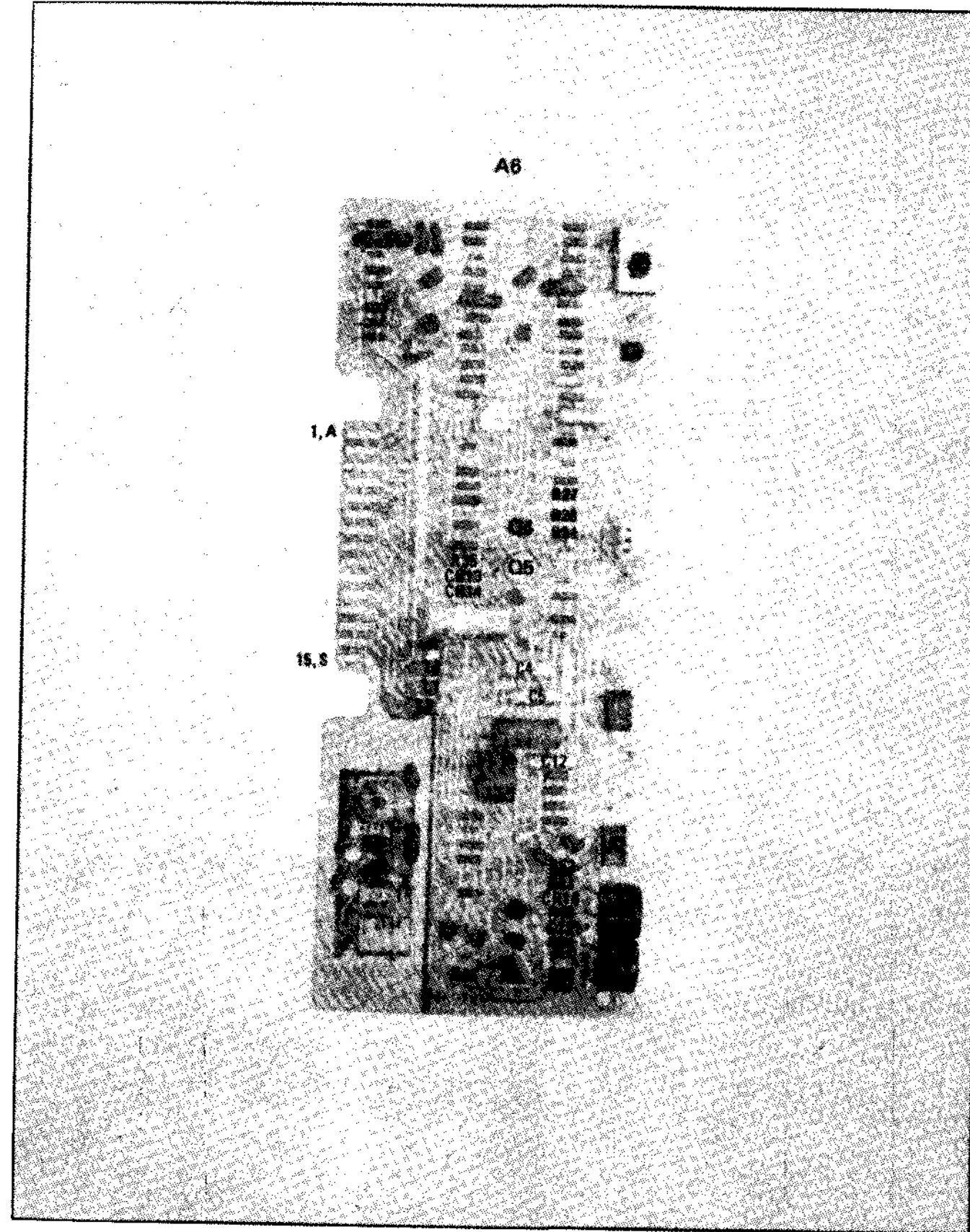


Figure 8-44. P/O Scan Generator A6 Component Identification

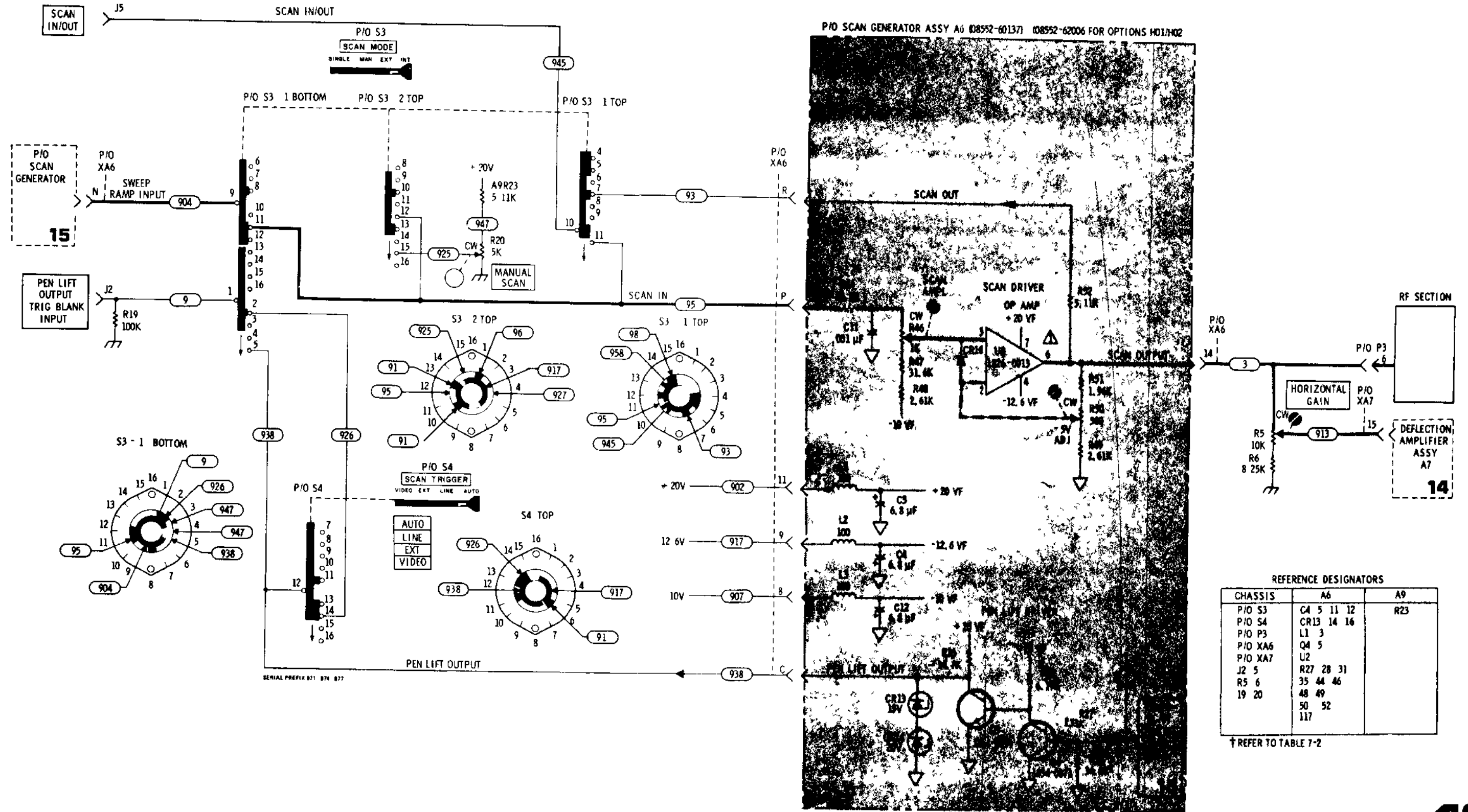


Figure 8-45. Scan Driver and Pen Lift Driver

SERVICE SHEET 17

It is assumed that the DISPLAY UNCAL lamp is operating erratically or not at all and that the adjustment procedure in paragraph 5 41 of Section V will not correct the problem

TROUBLESHOOTING PROCEDURE

When a malfunction has been isolated to the analog light driver or switching matrix, the Power Supply Assembly should be removed and reinstalled using the extender board to provide access to components in the light driver circuit

EQUIPMENT REQUIRED

SERVICE KIT HP 1.592A
DIGITAL VOLTMETER HP 3440A/3443A

1 ANALOGIC THRESHOLD AND LIGHT DRIVER CIRCUIT

The RF Section DISPLAY UNCAL light illuminates when the SCAN WIDTH, BANDWIDTH, IF Section SCAN TIME PER DIVISION and VIDEO FILTER switches are set at any combination of positions which do not permit accurate calibration of the analyzer. The DISPLAY UNCAL lamp is caused to illuminate by a simulated signal and has no actual connection to the signal processing circuits.

The SCAN TIME switch, the SCAN WIDTH switch, BANDWIDTH switch, and VIDEO FILTER switch all have wafers that are devoted exclusively to the analogic function. These switches control resistive networks that are connected from the 10 Vdc supply to the inputs of the analogic threshold and light driver circuit. In the SCAN WIDTH PER DIVISION mode of operation, these resistive networks are in parallel. At any time that the total resistance between the -10 Vdc supply and either input to the analogic circuit is low enough to bias Q24 or Q27 into conduction the light driver is enabled.

In the preset scan mode of operation only the SCAN TIME PER DIVISION switch and the VIDEO FILTER switch control the analogic circuit.

In the ZERO scan mode the analogic circuit is inoperative. (The VIDEO FILTER switch is still in the circuit but cannot, by itself, bias Q24 into conduction.)

TEST PROCEDURE 1

1a Connect the HP 3440A/3443A to TP A (Q24 b) and set the analyzer controls as follows:

SCAN WIDTH	PER DIVISION
BANDWIDTH	10 kHz
VIDEO FILTER	OFF
SCAN WIDTH PER DIVISION	20 kHz
SCAN TIME PER DIVISION	1 MILLISECOND

The voltmeter should read about +580 mVdc — DISPLAY UNCAL lamp off

Place VIDEO FILTER switch in 10 kHz position. Meter should read about +10 mVdc — DISPLAY UNCAL lamp on. Return VIDEO FILTER to OFF.

Place SCAN TIME PER DIVISION switch in 0.5 MILLISECOND position. Meter should read about 2.4 volts — DISPLAY UNCAL lamp on.

If meter readings are correct but DISPLAY UNCAL does not illuminate, check Q22, Q24, Q26, the lamp, and associated components.

If voltages are incorrect, check switches, resistors, wiring, CR17, CR18, etc.

1b Connect the HP 3440A/3443A to TP B (Q27 b) and set the Analyzer controls as initially set in test 1-a. Meter should read about +265 mVdc — DISPLAY UNCAL off.

Place VIDEO FILTER switch in the 10 kHz position. Meter should read about +50 mVdc — DISPLAY UNCAL on.

Place VIDEO FILTER switch in the 100 Hz position. Meter should read about 163 mVdc — DISPLAY UNCAL on.

Place VIDEO FILTER switch in the 10 Hz position. Meter should read about 300 mVdc — DISPLAY UNCAL on.

Return VIDEO FILTER switch to OFF.

Place SCAN TIME PER DIVISION switch to 0.5 MILLISECOND. Meter should read about 2.0 volts — DISPLAY UNCAL on. Return SCAN TIME PER DIVISION switch to 1 MILLISECOND.

Place BANDWIDTH switch to 3 kHz position. Meter reads approximately -58 mVdc — DISPLAY UNCAL on. Return BANDWIDTH switch to 10 kHz position.

If readings are correct but DISPLAY UNCAL does not illuminate, check Q27, the lamp, and associated components.

If readings are incorrect, check switches, resistors, wiring, etc.

NOTE

A further aid to troubleshooting is Table 5 3 of Section V. Using the table in conjunction with the schematic should aid in localizing cause of malfunction to specific components.

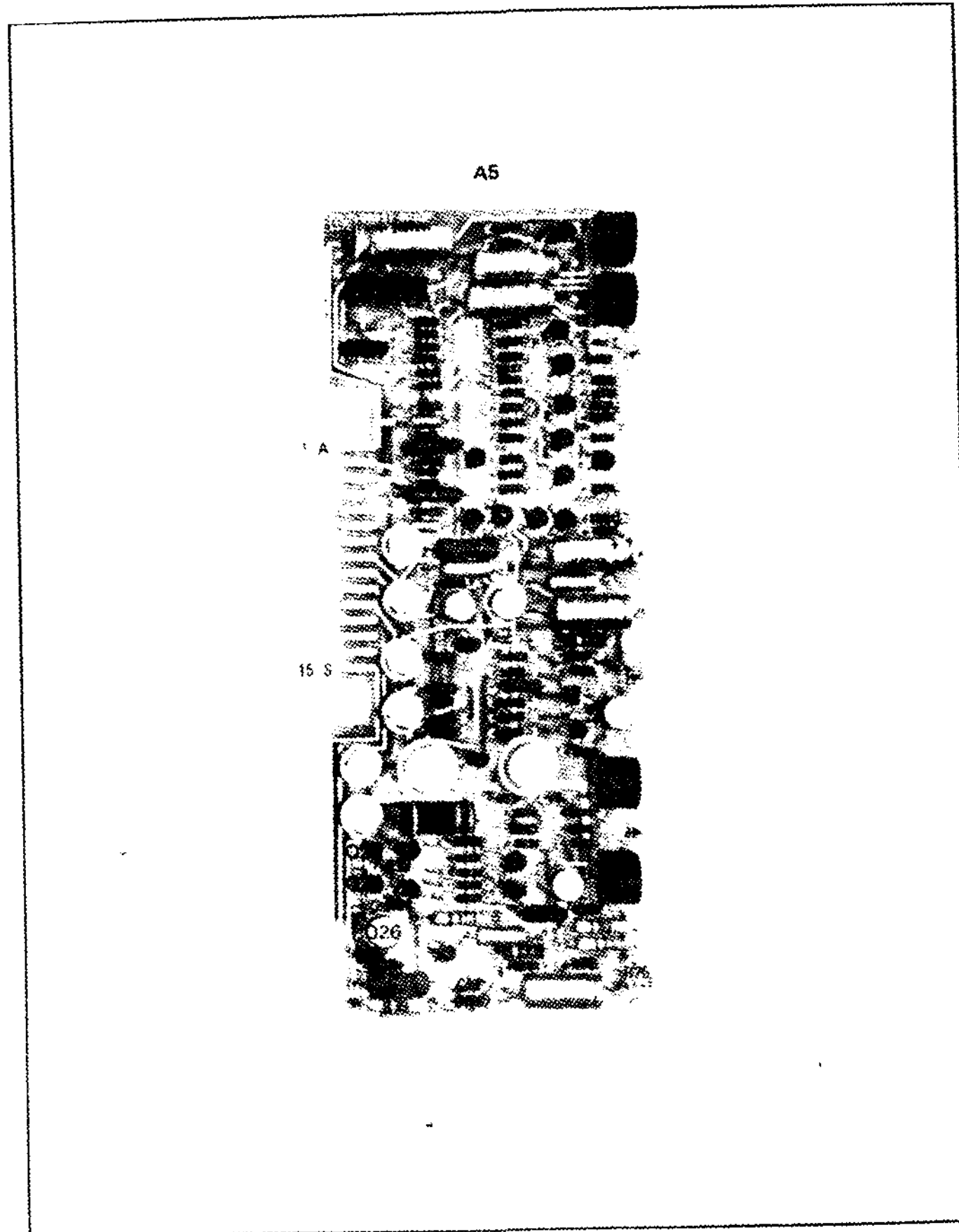
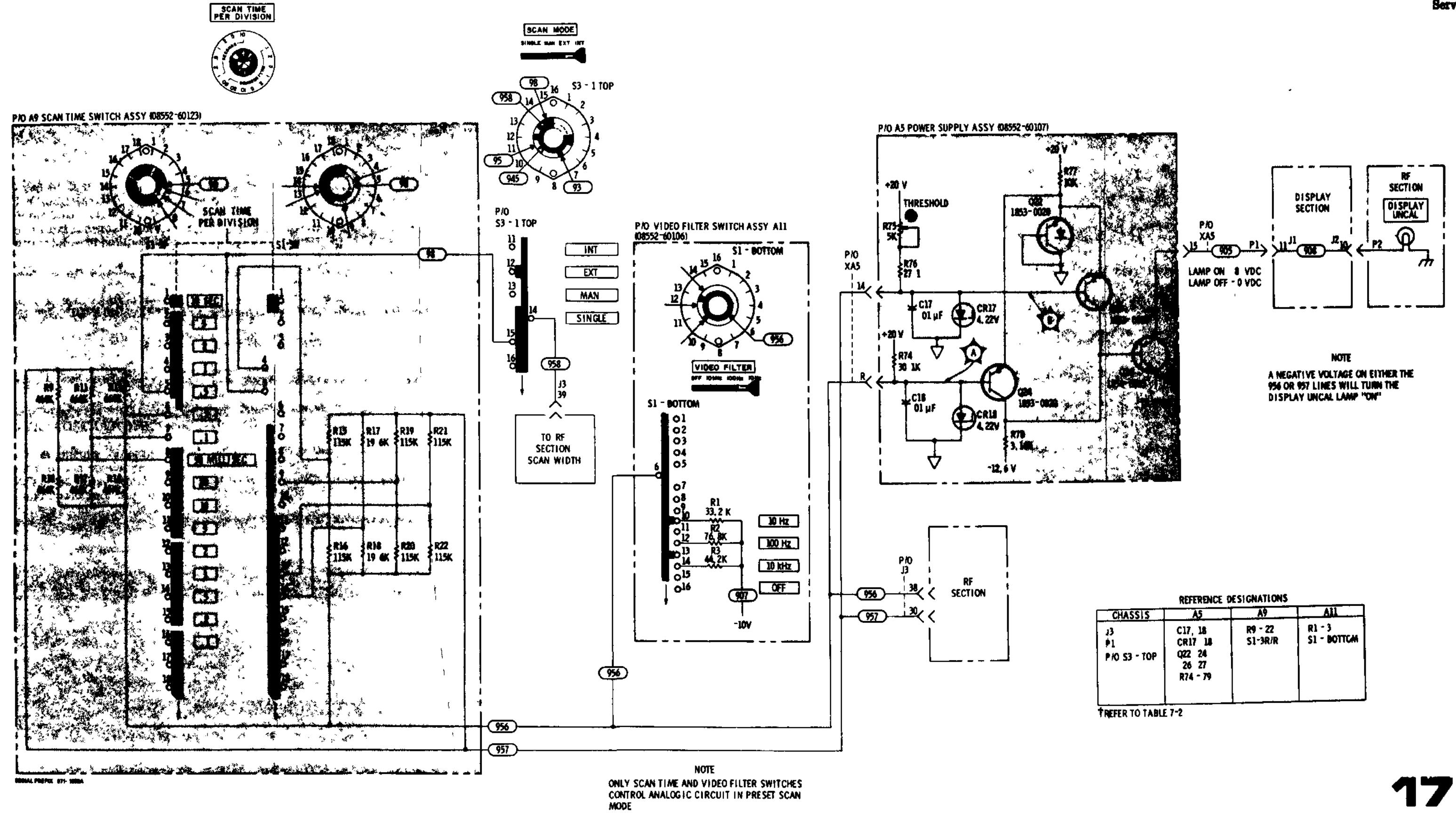


Figure 8-46. P/O Power Supply A5 Component Identification



SERVICE SHEET 18

It is assumed that the 30 MHz signal at the CAL OUTPUT jack is out of tolerance (and cannot be brought into tolerance by performing procedures specified in paragraph 5-40 of Section V) or missing

TROUBLESHOOTING PROCEDURE

When it has been determined that the 30 MHz CAL OUTPUT signal is out of tolerance or missing the Scan Generator Assembly A6 should be removed from the frame and reinstalled on the extender board to provide access to components

EQUIPMENT REQUIRED

SERVICE KIT	HP 11592A
DIGITAL VOLTMETER	HP 3440A/3443A
VOLT OHM AMMETER	HP 412A

CONTROL SETTINGS

Any

1 30 MHz CALIBRATION OSCILLATOR

Q17 and associated components comprise a simple, crystal controlled oscillator designed to provide a stable, 30 MHz, 30 dBm signal. The signal and its harmonics are used to calibrate and check the analyzer. Q18 provides temperature compensation.

TEST PROCEDURE 1

Use the ohmmeter and digital voltmeter to check the oscillator. After repairing the circuit, adjust the oscillator by performing the procedures in paragraph 5-40 of Section V.

2 LINEAR AMPLIFIER COMPENSATION SELECTOR S1 R1

RF connections to J3 pin 7 and 8 are part of an amplifier compensation programming circuit for 10 dB steps of INPUT ATTENUATION control when the analyzer is operated in the LINEAR mode. Refer to Service Sheets 12 and 13 for detailed circuit description.

3 INDEX LIGHT SELECTOR WAFER

Index light selection wafer on the RF Section INPUT ATTENUATION control selects the index light associated with the LOG REF LEVEL/LINEAR SENSITIVITY control in the analyzer IF Section. In LOG mode, the selected index lamp is opposite the scale factor on the LOG REF LEVEL control that corresponds to full-scale deflection on the display. In LINEAR mode, the selected index light is opposite the LINEAR SENSITIVITY volts per division scale factor. Lights DS1 through DS6 provide a moveable index point, positioned by the RF Section INPUT ATTENUATION control, thus the analyzer's amplitude calibration is maintained for any INPUT ATTENUATION control setting.

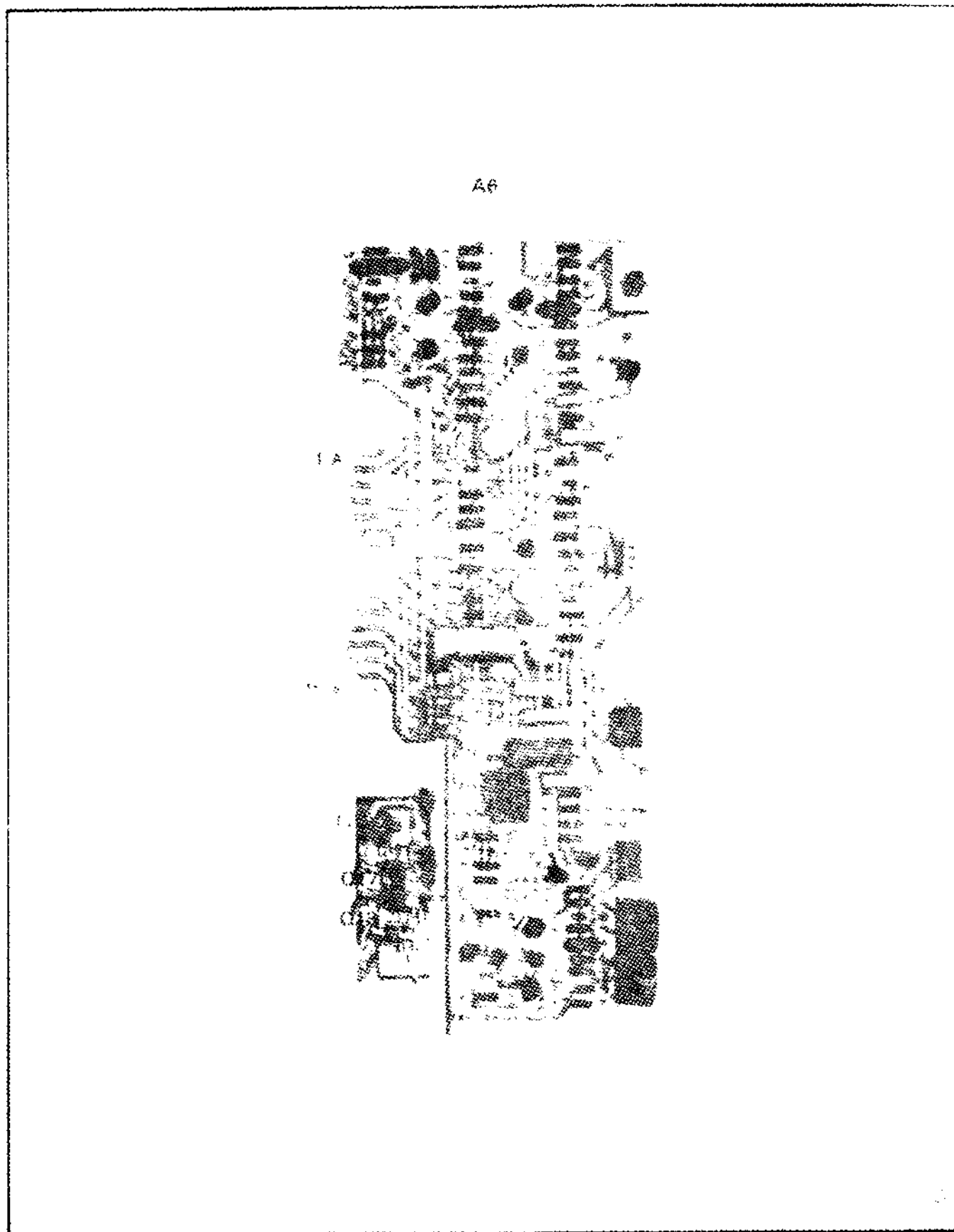


Figure 8-48 P/O Scan Generator A6 Component Identification

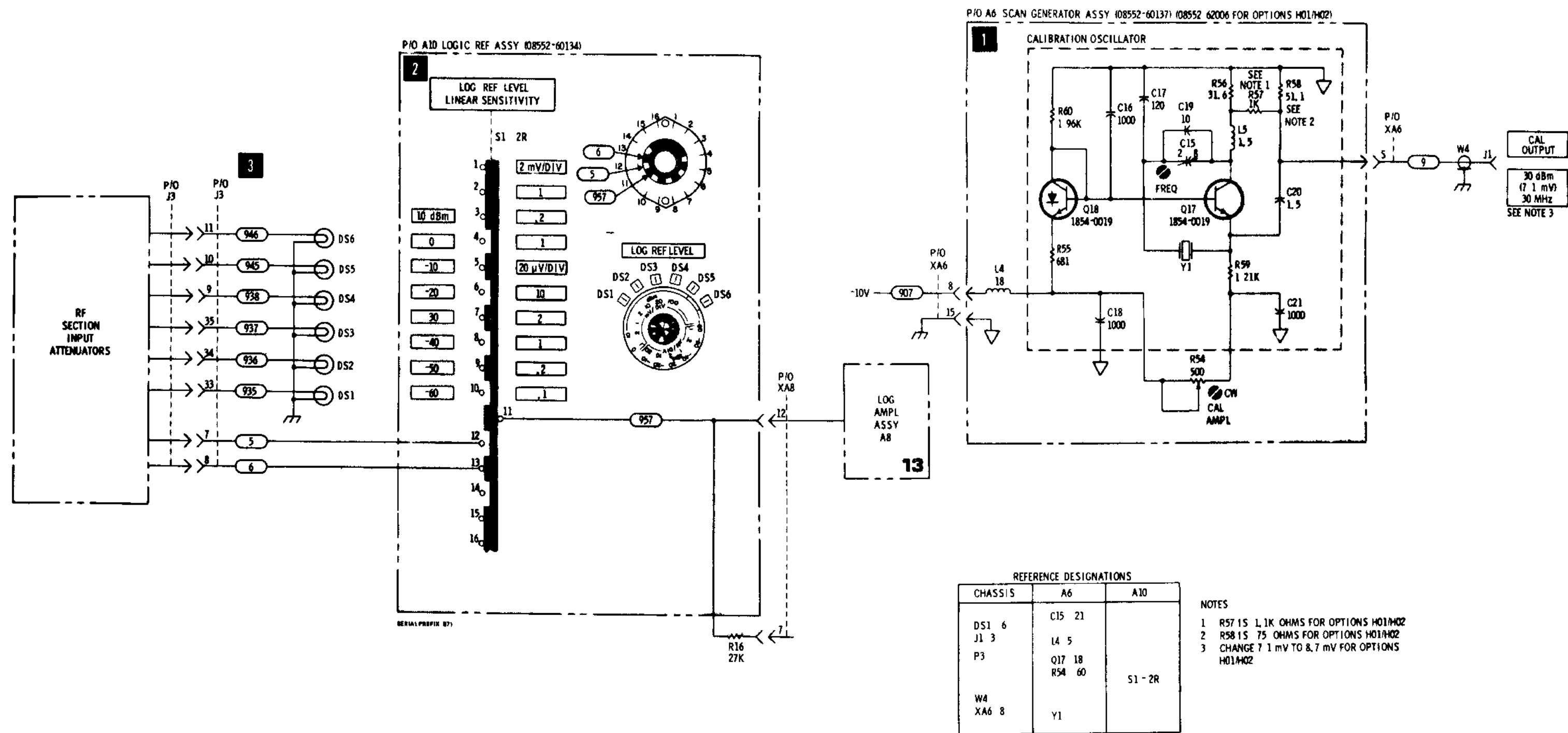


Figure 8-49. Reference Oscillator and LOG REFERENCE Index Light Circuit

SERVICE SHEET 19

It is assumed that the -12.6 volt, 100 volt, and +100 volt inputs from the display unit are present and that one or more of the outputs (12.6 volts, -10 volts, and +20 volts) is missing or out of tolerance

TROUBLESHOOTING PROCEDURE

When trouble has been isolated in the 10 Vdc or +20 Vdc regulators, the Power Supply assembly A5 should be removed and reinstalled on the extender board to provide access to components

EQUIPMENT REQUIRED

DIGITAL VOLTMETER	HP 3440A/3443A
VOLT-OHM-AMMETER	HP 412A
SERVICE KIT	HP 11592A

CONTROL SETTINGS

Any

1 VOLTAGE REGULATOR

The +20 and 10 volt regulators are conventional voltage regulation circuits. In each of them, a voltage divider from the output to ground is used as a sensing circuit to provide one input to a comparison amplifier. The other input to the comparison amplifier is a reference level established by diode clamping circuits.

When the current requirements of the external circuit increase, the regulated output voltage will decrease and cause a reduction in the dc input to the comparison amplifier. The comparison amplifier detects the unbalanced condition between its two inputs and provides an output to change the operating bias of the control amplifier. The control amplifier then causes the series regulator to conduct more heavily, providing more current to the external circuit to allow the voltage to return to the proper level.

The series regulator acts like a variable resistance in series with the power supply output. When the external circuit requires more current (as evidenced by a decrease in output voltage) the series regulator is caused to present less impedance to the current flow.

The Silicon Control Rectifiers CR4 and CR10 act as "crowbar" protectors to protect external circuits in the event of a shorted series regulator. Should a series regulator short, the output voltage would be limited only by the output of the rectifier and the current in the external circuit would increase in proportion to the increase in output voltage. When this occurs, the SCR's are turned on and they short out the regulator output voltage. The SCR's remain in conduction until the regulator output voltage has reached zero.

TEST PROCEDURE 1

Voltage regulators function as a "closed loop." Generally, malfunction of almost any component may affect dc levels at all points in the circuit. For this reason, typical voltage levels would be little, if any, help in servicing the assembly.

The HP 3440A/3443A should be used to check for the presence or absence of dc levels at obvious points. The HP 412A should be used for point-to-point resistance measurements.

Generally, if the output is completely missing or consistently high, the series regulator should be checked first for an open or shorted condition. Also, if voltage is high the SCR crowbar should be checked.

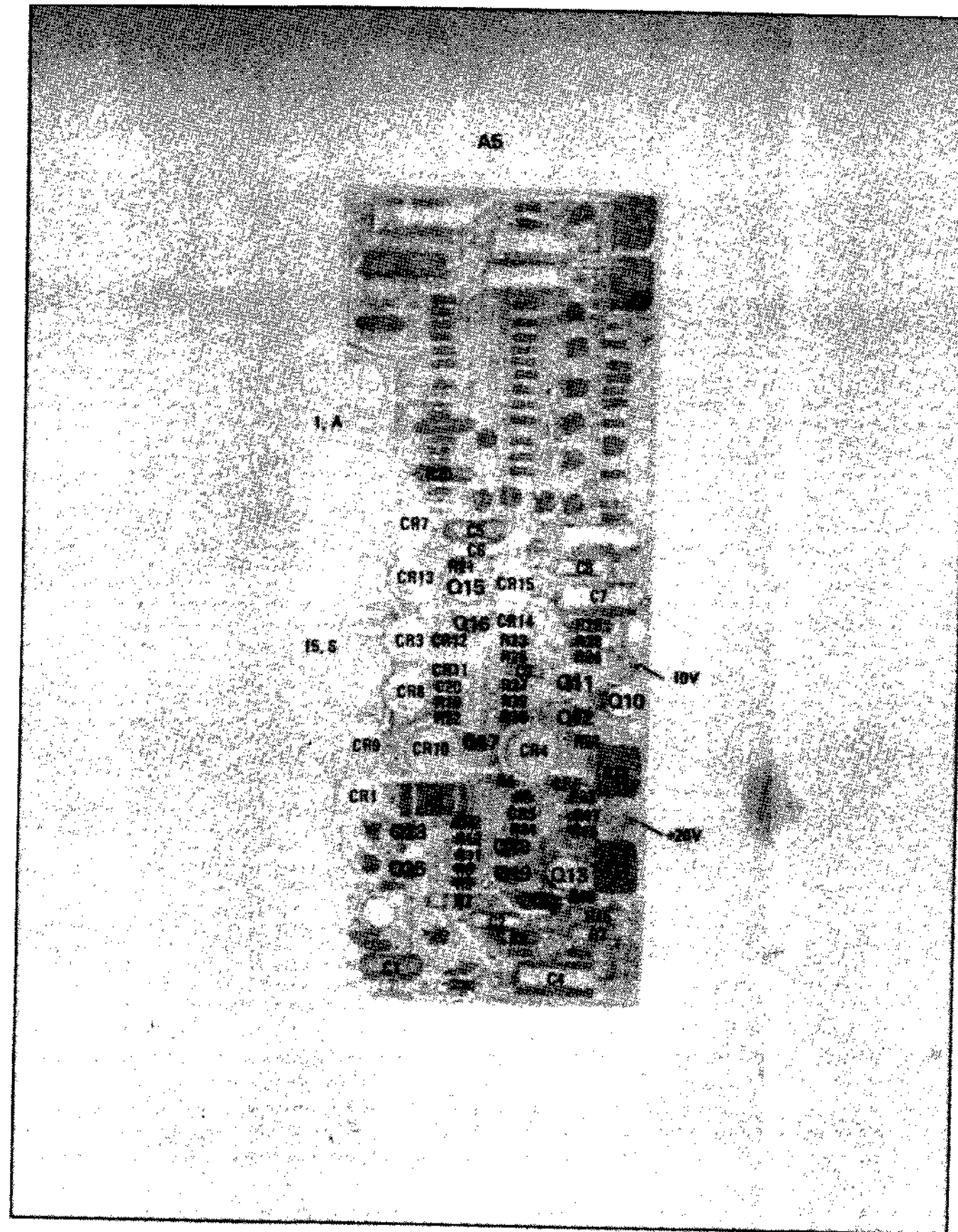
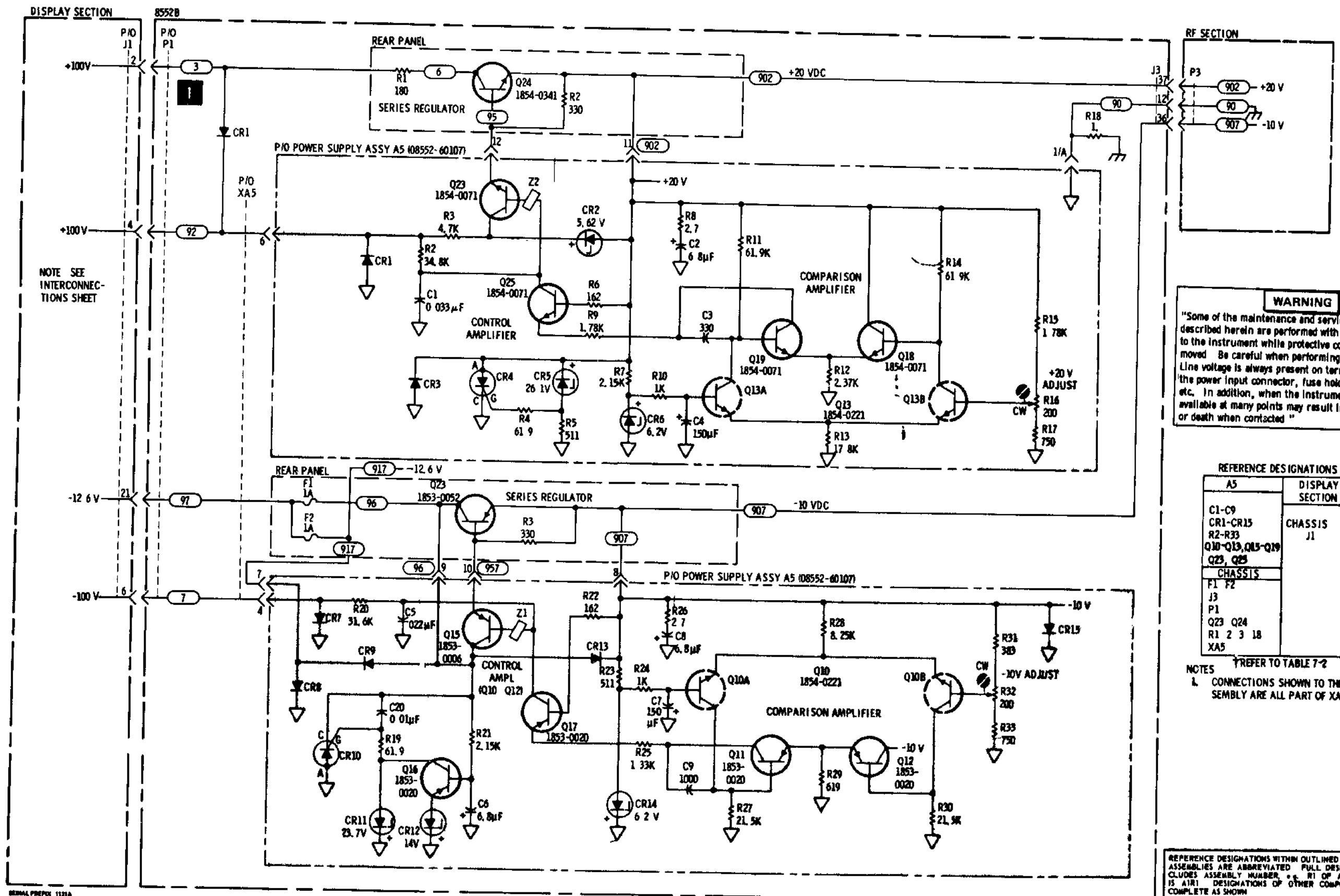
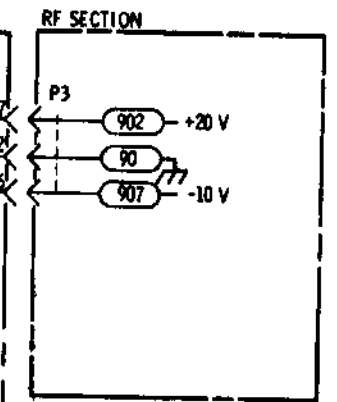


Figure 8-50. P/O Power Supply A5 Component Identification



MINI-MAX PREP 1121A



WARNING
 "Some of the maintenance and servicing operations described herein are performed with power supplied to the instrument while protective covers are removed. Be careful when performing these operations. Line voltage is always present on terminals including the power input connector, fuse holder, power switch, etc. In addition, when the instrument is on, energy available at many points may result in personal injury or death when contacted."

REFERENCE DESIGNATIONS

A5	DISPLAY SECTION
C1-C9	CHASSIS
CR1-CR15	
R2-R33	J1
Q10-Q13, Q15-Q19	
Q23, Q25	
CHASSIS	
F1, F2	
J3	
P1	
Q23, Q24	
R1, 2, 3, 18	
XA5	

NOTES: REFER TO TABLE 7-2
 1. CONNECTIONS SHOWN TO THE A5 ASSEMBLY ARE ALL PART OF XA5

REFERENCE DESIGNATIONS WITHIN OULINED (---) ASSEMBLIES ARE ABBREVIATED. FULL DESIGNATION INCLUDES ASSEMBLY NUMBER, e.g. R1 OF ASSEMBLY A1 IS A1R1. DESIGNATIONS OF OTHER COMPONENTS ARE COMPLETE AS SHOWN.

Figure 8-51. Power Supply

APPENDIX A

REFERENCES

DA Pam 310-4	Index of Technical Manuals, Technical Bulletins, Supply Manuals (Types 7, 8, and 9), Supply Bulletins, and Lubrication Orders.
DA Pam 310-7	US Army Equipment Index of Modification Work Orders.
TB 43-0118	Field Instructions for Painting and Preserving Electronics Command Equipment Including Camouflage Pattern Painting of Electrical Equipment Shelters.
TM 38-750	The Army Maintenance Management System (TAMMS).
TM 750-244-2	Procedures for Destruction of Electronics Materiel to Prevent Enemy Use (Electronics Command).
TM 11-6625-2781-14&P	Operator's Organizational, Direct Support and General Support Maintenance Manual Including Repair Parts and Special Tools List for Spectrum Analyzer IP-1216(P)/GR (Hewlett-Packard Model 141T).
TM 11-6625-2781-14-4	Operator's, Organizational, Direct Support, and General Support Maintenance Manual for Plug-in Unit, Electronic Test Equipment PL-1400/U (Hewlett-Packard Model 8555A).

APPENDIX D

MAINTENANCE ALLOCATION

Section I. INTRODUCTION

D-1. General

This appendix provides a summary of the maintenance operations for PL-1388/U. It authorizes categories of maintenance for specific maintenance functions on repairable items and components and the tools and equipment required to perform each function. This appendix may be used as an aid in planning maintenance operations.

D-2. Maintenance Function

Maintenance functions will be limited to and defined as follows:

a. Inspect. To determine the serviceability of an item by comparing its physical, mechanical, and/or electrical characteristics with established standards through examination.

b. Test. To verify serviceability and to detect incipient failure by measuring the mechanical or electrical characteristics of an item and comparing those characteristics with prescribed standards.

c. Service. Operations required periodically to keep an item in proper operating condition, i.e., to clean (decontaminate), to preserve, to drain, to paint, or to replenish fuel, lubricants, hydraulic fluids, or compressed air supplies.

d. Adjust. To maintain, within prescribed limits, by bringing into proper or exact position, or by setting the operating characteristics to the specified parameters.

e. Align. To adjust specified variable elements of an item to bring about optimum or desired performance.

f. Calibrate. To determine and cause corrections to be made or to be adjusted on instruments or test measuring and diagnostic equipments used in precision measurement. Consists of comparisons of two instruments, one of which is a certified standard of known accuracy, to detect and adjust any discrepancy in the accuracy of the instrument being compared.

g. Install. The act of emplacing, seating, or fixing into position an item, part, module (component or assembly) in a manner to allow the proper functioning of the equipment or system.

h. Replace. The act of substituting a serviceable like type part, subassembly, or module (component or assembly) for an unserviceable counterpart.

i. Repair. The application of maintenance services (inspect, test, service, adjust, align, calibrate, replace) or other maintenance actions (welding, grinding, riveting, straightening, facing, remachining, or resurfacing) to restore serviceability to an item by correcting specific damage, fault, malfunction, or failure in a part, subassembly, module (component or assembly), end item, or system,

j. Overhaul. That maintenance effort (service/action) necessary to restore an item to a completely serviceable/operational condition as prescribed by maintenance standards (i.e., D.MWR) in appropriate technical publications. Overhaul is normally the highest degree of maintenance performed by the Army. Overhaul does not normally return an item to like new condition.

k. Rebuild. Consists of those services/actions necessary for the restoration of unserviceable equipment to a like new condition in accordance with original manufacturing standards. Rebuild is the highest degree of materiel maintenance applied to Army equipment. The rebuild operation includes the act of returning to zero those age measurements (hours, miles, etc.) considered in classifying Army equipment,/ components.

D-3. Column Entries

a. Column 1, Group Number. Column 1 lists group numbers, the purpose of which is to identify components, assemblies, subassemblies, and modules with the next higher assembly.

b. Column 2, Component/Assembly. Column 2 contains the noun names of components, assemblies, subassemblies, and modules for which maintenance is authorized.

c. Column 3, Maintenance Functions. Column 3 lists the functions to be performed on the item listed in column 2. When items are listed without maintenance functions, it is solely for pur-

pose of having the group numbers in the MAC and RPSTL coincide.

d. Column 4, Maintenance Category. Column 4 specifies, by the listing of a "worktime" figure in the appropriate subcolumn(s), the lowest level of maintenance authorized to perform the function listed in column 3. This figure represents the active time required to perform that maintenance function at the indicated category of maintenance. If the number or complexity of the tasks within the listed maintenance function vary at different maintenance categories, appropriate "worktime" figures will be shown for each category. The number of task-hours specified by the "worktime" figure represents the average time required to restore an item (assembly, subassembly, component, module, end item or system) to a serviceable condition under typical field operating conditions. This time includes preparation time, troubleshooting time, and quality assurance/quality control time in addition to the time required to perform the specific tasks identified for the maintenance functions authorized in the allocation chart. Subcolumns of column 4 are as follows:

- C-Operator/Crew
- O-Organizational
- F-Direct Support
- H-General Support
- D-Depot

e. Column 5, Tools and Equipment. Column 5 specifies by code, those common tool sets (not

individual tools) and special tools, test, and support equipment required to perform the designated function.

f. Column 6, Remarks. Not applicable.

D-4. Tool and Test Equipment Requirements (Sect. III)

a. Tool or Test Equipment Reference Code. The numbers in this column coincide with the numbers used in the tools and equipment column of the MAC. The numbers indicate the applicable tool or test equipment for the maintenance functions.

b. Maintenance Category. The codes in this column indicate the maintenance category allocated the tool or test equipment.

c. Nonenclature. This column lists the noun name and nomenclature of the tools and test equipment required to perform the maintenance functions.

d. National/NATO Stock Number. This column lists the National/NATO stock number of the specific tool or test equipment.

e. Tool Number. This column lists the manufacturer's part number of the tool followed by the Federal Supply Code for manufacturers (5-digit) in parentheses.

D-5. Remarks (Sect. IV)

Not applicable.

(Next printed page is D-3)

**SECTION II MAINTENANCE ALLOCATION CHART
FOR
PLUG-IN UNIT, ELECTRONIC TEST EQUIPMENT PL-1388/U**

(1) GROUP NUMBER	(2) COMPONENT/ASSEMBLY	(3) MAINTENANCE FUNCTION	(4) MAINTENANCE CATEGORY					(5) TOOLS AND EQPT.	(6) REMARKS
			C	O	F	H	D		
00	PLUG-IN UNIT, ELECTRONIC TEST EQUIPMENT PL-1388/U (HEWLETT-PACKARD MODEL 8552B)	Inspect Test Service Align Adjust Install Replace Repair Overhaul	0.5			0.3 0.4 0.7 0.7		8 1 thru 8 1 thru 8 1 thru 8 1 thru 8 8 8 1 thru 8 1 thru 8	
			0.3	0.3			24.0		
01	CIRCUIT CARD ASSEMBLY, LC FILTER, A1	Inspect Adjust Replace Repair				0.3 0.3 0.3	1.0	8 1 thru 8 1 thru 8 1 thru 8	
02	3 MHZ AMPLIFIER BOARD ASSEMBLY, A2	Inspect Adjust Replace Repair				0.3 0.3 0.3	1.0	8 1 thru 8 1 thru 8 1 thru 8	
0201	CIRCUIT CARD ASSEMBLY, 300 KHZ, A2A1	Inspect Replace Repair				0.3 0.3	0.5	8 1 thru 8 1 thru 8	
03	50-MHZ CONVERTER, A3	Inspect Adjust Replace Repair				0.3 0.3 0.3 0.5		8 1 thru 8 1 thru 8 1 thru 8	
0301	FILTER ASSEMBLY, 50 MHZ, A3A1	Inspect Replace				0.3 0.5		8 1 thru 8	
0302	OSCILLATOR ASSEMBLY, 47 MHZ, A3A2	Inspect Adjust Replace				0.3 0.3 0.5		8 1 thru 8 1 thru 8	
04	CIRCUIT CARD ASSEMBLY, CRYSTAL FILTER, A4	Inspect Adjust Replace Repair				0.3 0.5 0.5	1.5	8 1 thru 8 1 thru 8 1 thru 8	
05	CIRCUIT CARD ASSEMBLY, POWER SUPPLY, A4	Inspect Adjust Replace Repair				0.3 0.3 0.3	1.0	8 1 thru 8 1 thru 8 1 thru 8	
06	CIRCUIT CARD ASSEMBLY, SCAN GENERATOR, A6	Inspect Adjust Replace Repair				0.3 0.3 0.3	1.0	8 1 thru 8 1 thru 8 1 thru 8	
07	CIRCUIT CARD ASSEMBLY, DEFLECTION AMPLIFIER, A7	Inspect Adjust Replace Repair				0.3 0.3 0.3	1.0	8 1 thru 8 1 thru 8 1 thru 8	
08	CIRCUIT CARD ASSEMBLY, LOG AMPLIFIER, A8	Inspect Adjust Replace Repair				0.3 0.3 0.3	1.0	8 1 thru 8 1 thru 8 1 thru 8	
09	SWITCH ASSEMBLY, SCAN TIME, A9	Inspect Replace Repair				0.3 1.0 1.0		8 1 thru 8 1 thru 8	
10	SWITCH ASSEMBLY, REFERENCE LEVEL, A10	Inspect Replace Repair				0.3 1.0 1.0		8 1 thru 8 1 thru 8	
11	SWITCH ASSEMBLY, VIDEO FILTER, A11	Inspect Replace Repair				0.3 1.0 1.0		8 1 thru 8 1 thru 8	
12	CIRCUIT CARD ASSEMBLY, 47-MHZ APC, A12	Inspect Adjust Replace Repair				0.3 0.3 0.5	1.0	8 1 thru 8 1 thru 8 1 thru 8	

**SECTION II MAINTENANCE ALLOCATION CHART
FOR**

PLUG IN UNIT, ELECTRONIC TEST EQUIPMENT PL-1388/U

(1) GROUP NUMBER	(2) COMPONENT/ASSEMBLY	(3) MAINTENANCE FUNCTION	(4) MAINTENANCE CATEGORY					(5) TOOLS AND EQPT.	(6) REMARKS
			C	O	F	H	D		
13	CIRCUIT CARD ASSEMBLY, 2-MHZ OSCILLATOR, A13	Inspect Adjust Replace Repair				0.3 0.3 0.5	0.5	6 1 thru 6 1 thru 6 1 thru 6	

**SECTION III TOOL AND TEST EQUIPMENT REQUIREMENTS
FOR
PLUG-IN UNIT, ELECTRONIC TEST EQUIPMENT PL-1388/U**

TOOL OR TEST EQUIPMENT REF CODE	MAINTENANCE CATEGORY	NOMENCLATURE	NATIONAL/NATO STOCK NUMBER	TOOL NUMBER
1	H, D	TEST SET, ELECTRICAL METER TS-682/GSM-1	6625-00-669-0747	
2	H, D	VOLTMETER, ELECTRONIC AN/URM-145	6625-00-973-3986	
3	H, D	GENERATOR, SIGNAL AN/URM-127	6625-00-783-5965	
4	H, D	OSCILLOSCOPE AN/USM-281C	6625-00-106-9622	
5	H, D	TRANSISTOR TEST SET TS-1836C/U	6625-00-159-2263	
6	H, D	MULTIMETER ME-26 D/U	6625-00-913-9781	
7	H, D	H-P SERVICE ACCESSORY KIT (SEE SECTION IV, REF CODE A)		
8	C, O, H, D	TOOLS AND EQUIPMENT ASSIGNED TO TECHNICIAN FOR ASSIGNED MISSION		

SECTION IV. REMARKS

REFERENCE CODE	REMARKS									
A	H-P SERVICE ACCESSORY KIT CONSISTING OF:									
	<table border="0" style="width: 100%;"> <tr> <td></td> <td style="text-align: right;"><u>PL-1388/U</u></td> <td style="text-align: right;"><u>PL-1400/U</u></td> </tr> <tr> <td></td> <td style="text-align: right;"><u>(HP-8552B)</u></td> <td style="text-align: right;"><u>(HP-8555A)</u></td> </tr> <tr> <td></td> <td style="text-align: center;">X</td> <td style="text-align: center;">X</td> </tr> </table>		<u>PL-1388/U</u>	<u>PL-1400/U</u>		<u>(HP-8552B)</u>	<u>(HP-8555A)</u>		X	X
		<u>PL-1388/U</u>	<u>PL-1400/U</u>							
		<u>(HP-8552B)</u>	<u>(HP-8555A)</u>							
		X	X							
	140/141 DISPLAY SECTION TO SPECTRUM ANALYZER PLUG-IN EXTENDER CABLE ASSEMBLY (HP-11592-60015)									
	IF TO RF UNIT INTERCONNECTION EXTENDER CABLE ASSEMBLY (HP-11592-60016)	X	X							
	SELECTRO FEMALE TO BNC MALE TEST CABLE, 36 IN. LONG (HP-11592-60001)	X	X							
	SELECTRO MALE TO SELECTRO FEMALE TEST CABLE, 8 IN. LONG, YELLOW (HP-11592-60003)	X	X							
	SELECTRO FEMALE TO SELECTRO FEMALE CABLE, 8 IN. LONG, RED (HP-11592-60002)	X	X							
	EXTENDER BOARD ASSEMBLY, 15 PINS, 30 CONDUCTORS, FOR PLUG-IN CIRCUIT BOARDS (HP-11592-60011)	X	X							
	EXTENDER BOARD ASSEMBLY, 10 PINS, 20 CONDUCTORS, FOR PLUG-IN CIRCUIT BOARDS (HP-5060-0256)		X							
	EXTENDER BOARD ASSEMBLY, 12 PINS, 24 CONDUCTORS, FOR PLUG-IN CIRCUIT BOARDS (HP-5060-0257)		X							
	EXTENDER BOARD ASSEMBLY, 24 PINS, 48 CONDUCTORS, FOR PLUG-IN CIRCUIT BOARDS (HP-5060-0258)		X							
	CABLE ASSEMBLY, R & P FEMALE TO BNC MALE (HP-11592-60013)		X							
	CABLE ASSEMBLY, SMA MALE TO BNC MALE (HP-08555-60076)		X							
	WRENCH, BOX-END SLOTTED, 3/16-IN. (HP-08555-20097)		X							
	SELECTRO JACK-TO-JACK ADAPTER (HP-1250-0827)	X	X							
	WRENCH, OPEN-END, 15/64-IN. (HP-8710-0946)	X	X							
	OSM PLUG-TO-PLUG ADAPTER (HP-1250-1158)	X	X							
FASTENER ASSEMBLY, 8553 CIRCUIT BOARD EXTENDER, TWO EACH (HP-11592-20001 AND HP-1390-0170)	X									
BNC JACK-TO-OSM PLUG ADAPTER (HP-1250-1200)	X									
CABLE ASSEMBLY R & P CONNECTOR (HP-11592-60013)	X									

By Order of the Secretary of the Army:

BERNARD W. ROGERS
General, United States Army
Chief of Staff

Official:

J.C. PENNINGTON
Brigadier General, United States Army
The Adjutant General

DISTRIBUTION:

Active Army:

USAINSCOM (2)

COE (1)

TSG (1)

USASAE (2)

USAARENBD (1)

DARCOM (1)

TECOM (2)

USACC (4)

TRADOC (2)

OS Maj Cored (4)

MDW (1)

Armies (2)

corps (2)

HISA (Ft Monmouth) (33)

Fort Gillem (10)

Fort Gordon (10)

Fort Huachuca (10)

Fort Carson (5)

Svc Colleges (1)

USASIGS (6)

USAICS (3)

USAADS (2)

USAFAS (2)

USAARMS (2)

USASATC&S (2)

USAIS (2)

USAES (2)

Ft Richardson (CERCOM Oft) (2)

AD (1) except

SAAD (30)

LBAD (14)

TOAD (14)

SHAD (3)

USA Dep (1)

Sig SEC USA Dep (1)

MAAG (1)

USARMIS (1)

USAERDAA (1)

USAERDAW (1)

Units org under fol TOE:

29-134 (1)

29-136 (1)

29-207 (2)

29-610 (2)

32-52 (1)

32-57 (1)

ARNG & (USAR: None.

For explanation of abbreviations used, see AR 310-50.



SOMETHING WRONG WITH THIS MANUAL?

THEN...JOT DOWN THE DOPE ABOUT IT ON THIS FORM, TEAR IT OUT, FOLD IT AND DROP IT IN THE MAIL!

FROM: (YOUR UNIT'S COMPLETE ADDRESS)

Commander
Stateside Army Depot
ATTN: AMSTA-US
Stateside, N.J. 07703

DATE 10 July 1975

PUBLICATION NUMBER

TM 11-5840-340-12

DATE

23 Jan 74

TITLE

Radar Set AN/PSC-76

BE EXACT...PIN-POINT WHERE IT IS

IN THIS SPACE TELL WHAT IS WRONG AND WHAT SHOULD BE DONE ABOUT IT:

PAGE NO.	PARA-GRAPH	FIGURE NO.	TABLE NO.
----------	------------	------------	-----------

2-25	2-28		
------	------	--	--

Recommend that the installation antenna alignment procedure be changed throughout to specify a 2° IFF antenna lag rather than 1°.

REASON: Experience has shown that with only a 1° lag, the antenna servo system is too sensitive to wind gusting in excess of 27 knots, and has a tendency to rapidly accelerate and decelerate as it hunts, causing strain to the drive train. Hunting is minimized by adjusting the lag to 2° without degradation of operation.

3-10	3-3		
------	-----	--	--

			3-1
--	--	--	-----

Item 5, Functions column. Change "2 db" to "3db."

REASON: The adjustment procedure for the TRANS POWER FAULT indicator calls for a 3 db (500 watts) adjustment to light the TRANS POWER FAULT indicator.

5-6	5-8		
-----	-----	--	--

Add new step f.1 to read, "Replace cover plate removed in step e.1, above."

REASON: To replace the cover plate.

		F03	
--	--	-----	--

Zone C 3. On J1-2, change "+24 VDC to "+5 VDC."

REASON: This is the output line of the 5 VDC power supply. + 24 VDC is the input voltage.

TYPED NAME, GRADE OR TITLE, AND TELEPHONE NUMBER

SSG I. M. DeSpirito 999-1776

SIGN HERE:

SSG I. M. DeSpirito

DA FORM 2028-2
1 AUG 74

P.S.--IF YOUR OUTFIT WANTS TO KNOW ABOUT YOUR MANUAL "FIND" MAKE A CARBON COPY OF THIS AND GIVE IT TO YOUR HEADQUARTERS.

HISA 1686-75

TEAR ALONG DOTTED LINE



SOMETHING WRONG WITH THIS MANUAL?

THEN... JOT DOWN THE DOPE ABOUT IT ON THIS FORM, TEAR IT OUT, FOLD IT AND DROP IT IN THE MAIL!

FROM: (YOUR UNIT'S COMPLETE ADDRESS)

DATE

PUBLICATION NUMBER

TM 11-6625-2781-14-1

DATE

18 Sep 78

TITLE

BE EXACT... PIN-POINT WHERE IT IS

IN THIS SPACE TELL WHAT IS WRONG AND WHAT SHOULD BE DONE ABOUT IT:

PAGE NO.	PARA-GRAPH	FIGURE NO.	TABLE NO.
----------	------------	------------	-----------

TEAR ALONG DOTTED LINE

TYPED NAME, GRADE OR TITLE, AND TELEPHONE NUMBER

SIGN HERE:

DA FORM 2028-2
1 AUG 74

P.S.--IF YOUR OUTFIT WANTS TO KNOW ABOUT YOUR MANUAL "FIND" MAKE A CARBON COPY OF THIS AND GIVE IT TO YOUR HEADQUARTERS.

FILL IN YOUR
UNIT'S ADDRESS

FOLD BACK

DEPARTMENT OF THE ARMY

OFFICIAL BUSINESS

Commander
US Army Communications and
Electronics Materiel Readiness Command
ATTN: DRSEL-MA-Q
Fort Monmouth, New Jersey 07703

FOLD BACK

TEAR ALONG DOTTED LINE

THE METRIC SYSTEM AND EQUIVALENTS

WEIGHT MEASURE

1 Centimeter = 10 Millimeters = 0.01 Meters = 0.3937 Inches
 1 Meter = 100 Centimeters = 1000 Millimeters = 39.37 Inches
 1 Kilometer = 1000 Meters = 0.621 Miles

WEIGHTS

Gram = 0.001 Kilograms = 1000 Milligrams = 0.035 Ounces
 1 Kilogram = 1000 Grams = 2.2 lb.
 1 Metric Ton = 1000 Kilograms = 1 Megagram = 1.1 Short Tons

LIQUID MEASURE

1 Milliliter = 0.001 Liters = 0.0338 Fluid Ounces
 1 Liter = 1000 Milliliters = 33.82 Fluid Ounces

SQUARE MEASURE

1 Sq. Centimeter = 100 Sq. Millimeters = 0.155 Sq. Inches
 1 Sq. Meter = 10,000 Sq. Centimeters = 10.76 Sq. Feet
 1 Sq. Kilometer = 1,000,000 Sq. Meters = 0.386 Sq. Miles

CUBIC MEASURE

1 Cu. Centimeter = 1000 Cu. Millimeters = 0.06 Cu. Inches
 1 Cu. Meter = 1,000,000 Cu. Centimeters = 35.31 Cu. Feet

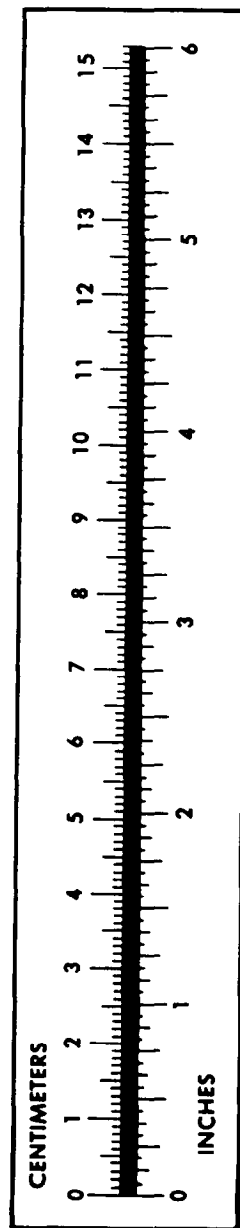
TEMPERATURE

$5/9(^{\circ}\text{F} - 32) = ^{\circ}\text{C}$
 212° Fahrenheit is equivalent to 100° Celsius
 90° Fahrenheit is equivalent to 32.2° Celsius
 32° Fahrenheit is equivalent to 0° Celsius
 $9/5^{\circ}\text{C} + 32 = ^{\circ}\text{F}$

APPROXIMATE CONVERSION FACTORS

TO CHANGE	TO	MULTIPLY BY
Inches	Centimeters	2.540
Feet	Meters	0.305
Yards	Meters	0.914
Miles	Kilometers	1.609
Square Inches	Square Centimeters	6.451
Square Feet	Square Meters	0.093
Square Yards	Square Meters	0.836
Square Miles	Square Kilometers	2.590
Acres	Square Hectometers	0.405
Cubic Feet	Cubic Meters	0.028
Cubic Yards	Cubic Meters	0.765
Fluid Ounces	Milliliters	29.573
its	Liters	0.473
arts	Liters	0.946
allons	Liters	3.785
Ounces	Grams	28.349
Pounds	Kilograms	0.454
Short Tons	Metric Tons	0.907
Pound-Feet	Newton-Meters	1.356
Pounds per Square Inch	Kilopascals	6.895
Miles per Gallon	Kilometers per Liter	0.425
Miles per Hour	Kilometers per Hour	1.609

TO CHANGE	TO	MULTIPLY BY
Centimeters	Inches	0.394
Meters	Feet	3.280
Meters	Yards	1.094
Kilometers	Miles	0.621
Square Centimeters	Square Inches	0.155
Square Meters	Square Feet	10.764
Square Meters	Square Yards	1.196
Square Kilometers	Square Miles	0.386
Square Hectometers	Acres	2.471
Cubic Meters	Cubic Feet	35.315
Cubic Meters	Cubic Yards	1.308
Milliliters	Fluid Ounces	0.034
Liters	Pints	2.113
Liters	Quarts	1.057
ers	Gallons	0.264
ms	Ounces	0.035
ograms	Pounds	2.205
Metric Tons	Short Tons	1.102
Newton-Meters	Pounds-Feet	0.738
Kilopascals	Pounds per Square Inch	0.145
ometers per Liter	Miles per Gallon	2.354
ometers per Hour	Miles per Hour	0.621



PIN: 034771-000